

**ILLUSTRATED  
PARTS  
BREAKDOWN**

**PC100  
RAINBOW 100 SYSTEM UNIT**

**HOW TO USE THE IPB**

**GENERAL**

This IPB is compiled following the organization and nomenclature of the engineering drawing structure.

**MAJOR ASSEMBLY LOCATOR**

The Major Assembly Locator (first illustration) is an index that provides a description and a figure reference for all illustrations used in this manual.

**INDENTED PARTS LIST**

This manual identifies each assembly being broken down (figure reference callout), and all parts of that assembly. Further breakdown of an assembly is shown by an asterisk (\*) preceding the item callouts in the Description Column. The number of asterisks preceding an item is used to denote the subordination of that item with respect to the Major Assembly. A single asterisk preceding an item description indicates that the item is part of the major assembly being illustrated. Items that are subordinate to single asterisks items, are denoted by two asterisks (\*\*) and immediately follow the related single asterisk item. Additional asterisks are used, as required, to denote further subordination. This system of part identification, provides a means for the user to identify the next higher assembly item and make alternate selections for parts when the required replacement part or assembly is not immediately available.

**COLUMN CALLOUT DESCRIPTION**

**Figure & Item** — Indicates the figure number and item number of each part.

**Description** — Lists the name of the part and pertinent specifications (when required). Asterisks preceding the description denote the subordination of the part to the next higher assembly.

**DEC Part No.** — Lists the DEC part ordering number. A blank in this column indicates a DEC part number was not assigned at the time of publication.

**ECO Cut-In** — The notation at the top of this column indicates the ECO level of the system (option), at which the IPB was initially prepared. Subsequent ECO level designations, that modify existing parts or add new parts to the device, are inserted in the ECO Cut-In column next to the part that is added or modified. A bracket ([]) preceding the item description is used to indicate the parts affected by ECO's.

**Vendor Code/Part No.** — Indicates vendor parts that are not stocked by DEC. Refer to the Field Service Spares Catalog (vendor part number to DEC part number) for the vendor code cross-reference.

**Used On Code** — Letters in this column correspond to the variation codes assigned in Figure 1. Parts with an Alpha notation(s) are used only in those option variations. A blank indicates that the part is used on all option variations.

**Ref Fig No.** — A cross reference between illustrations. For each Major Assembly, the number in this column denotes the figure of the next higher assembly. For all subassemblies, the number in this column denotes the figure showing additional detailed breakdown.

**SYMBOL USAGE**

**Hardware Designators** — Alpha designators for screws (S), washers (W), nuts (N), and retaining rings (R) are inserted after the item number callouts on the illustration when stacked item numbers are used.

**Attaching Hardware** — The @ symbol is inserted before any part that is used as attaching hardware. Attaching hardware is denoted as those parts that are not an integral part of the referenced assembly.

**(NFR) Not Field Repairable** — The (NFR) symbol is inserted after any assembly that is not to be field dismantled.

**Other Symbols** — Any other symbols that are required for kits, accessories, etc., will be explained and appear as part of the item description.

| REVISION HISTORY |           |             | OTHER IPB MANUALS REQUIRED TO SUPPORT THIS OPTION . . . . . |
|------------------|-----------|-------------|---|
| PRINTING         | ECO LEVEL | DATE        |   |
| 3rd Printing     | PC100     | 00005-00010 | EK-ORX50-IP<br>EK-VR201-IP<br>EK-LK201-IP                   |
|                  | BA25      | 00000-00002 |   |
|                  | 70-19974  | 00003-00006 |   |
|                  | 70-19573  | 00000-00002 |   |
|                  | 70-19572  | 00000-00002 |   |
|                  | H7842     | 00006-00013 |   |
|                  | 70-20816  | 00001-00001 |   |
|                  | 70-19941  | 00001-00001 |   |
|                  |           |             |   |

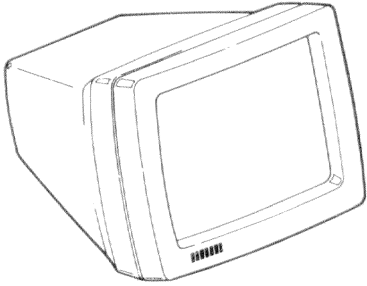
Copyright © 1983, 1984, 1985 by Digital Equipment Corporation. All rights reserved.

DEC reserves the right, without notice, to make substitutions and modifications in the specifications of products documented in this manual and further reserves the right to withdraw any of these products from the market without notice.

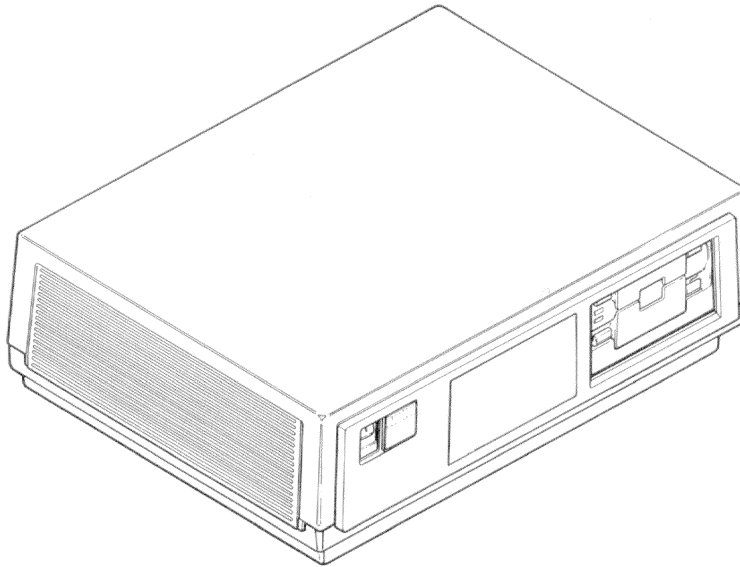
DEC is not responsible for errors which may appear in the technical description (including illustrations and photographs) of the products covered by this manual.

None of the descriptions contained in this manual imply the granting of any license whatsoever to make, use or sell equipment constructed in accordance therewith.

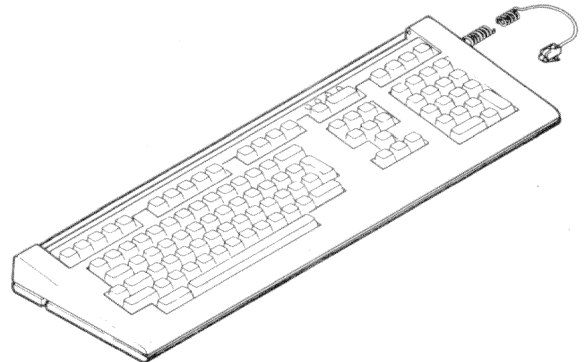




VR201 MONOCHROME MONITOR  
SEE VR201 IPB EK-VR201-IP



PC100 RAINBOW 100  
SYSTEM UNIT  
SEE FIGURE 1

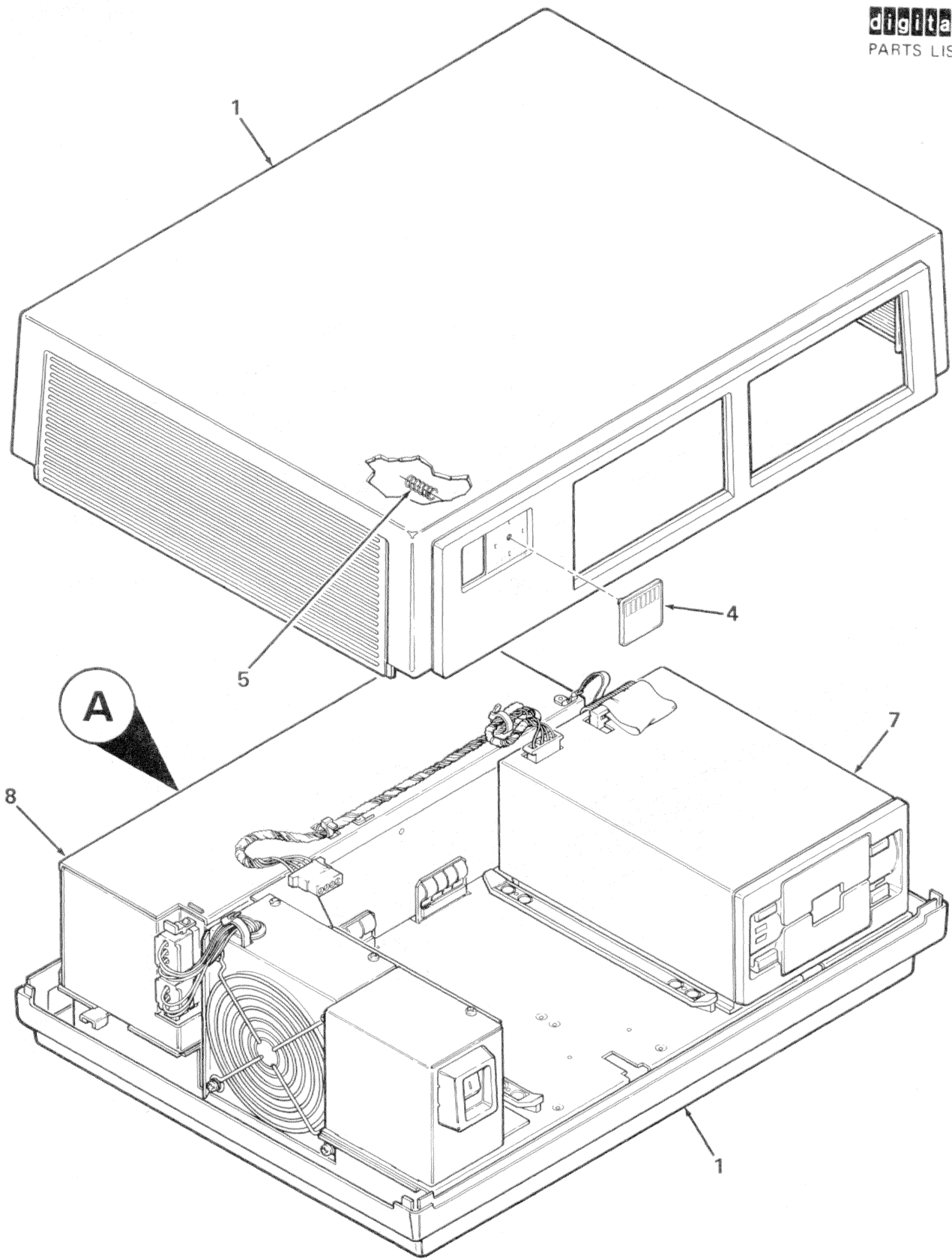


LK201 KEYBOARD  
SEE LK201 IPB EK-LK201-IP

PC350-00

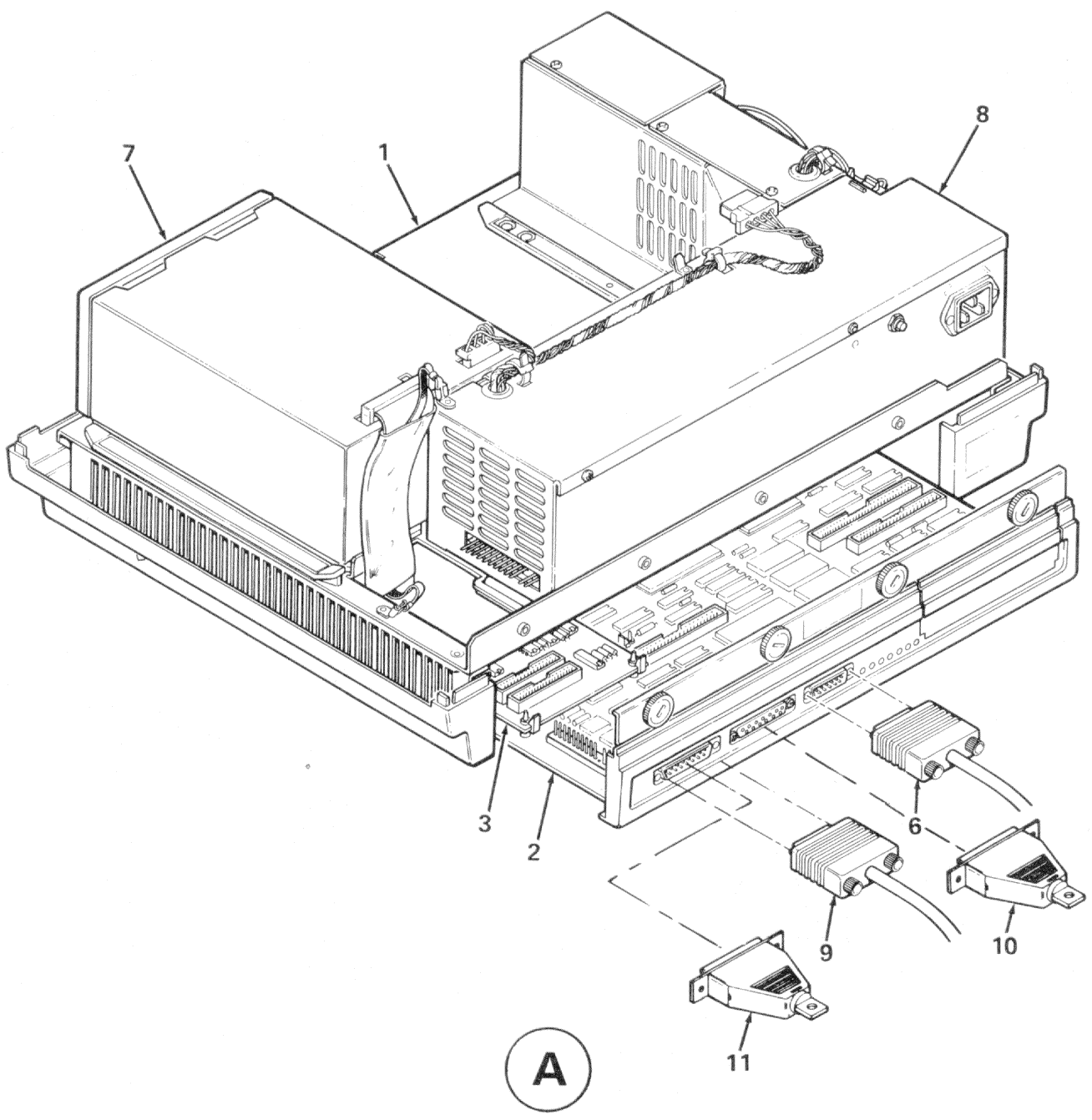
*Rainbow 100 Basic System Configuration*





PC100-01

Figure 1. PC100-A Rainbow 100 (Sheet 1 of 2)



PC100-01A

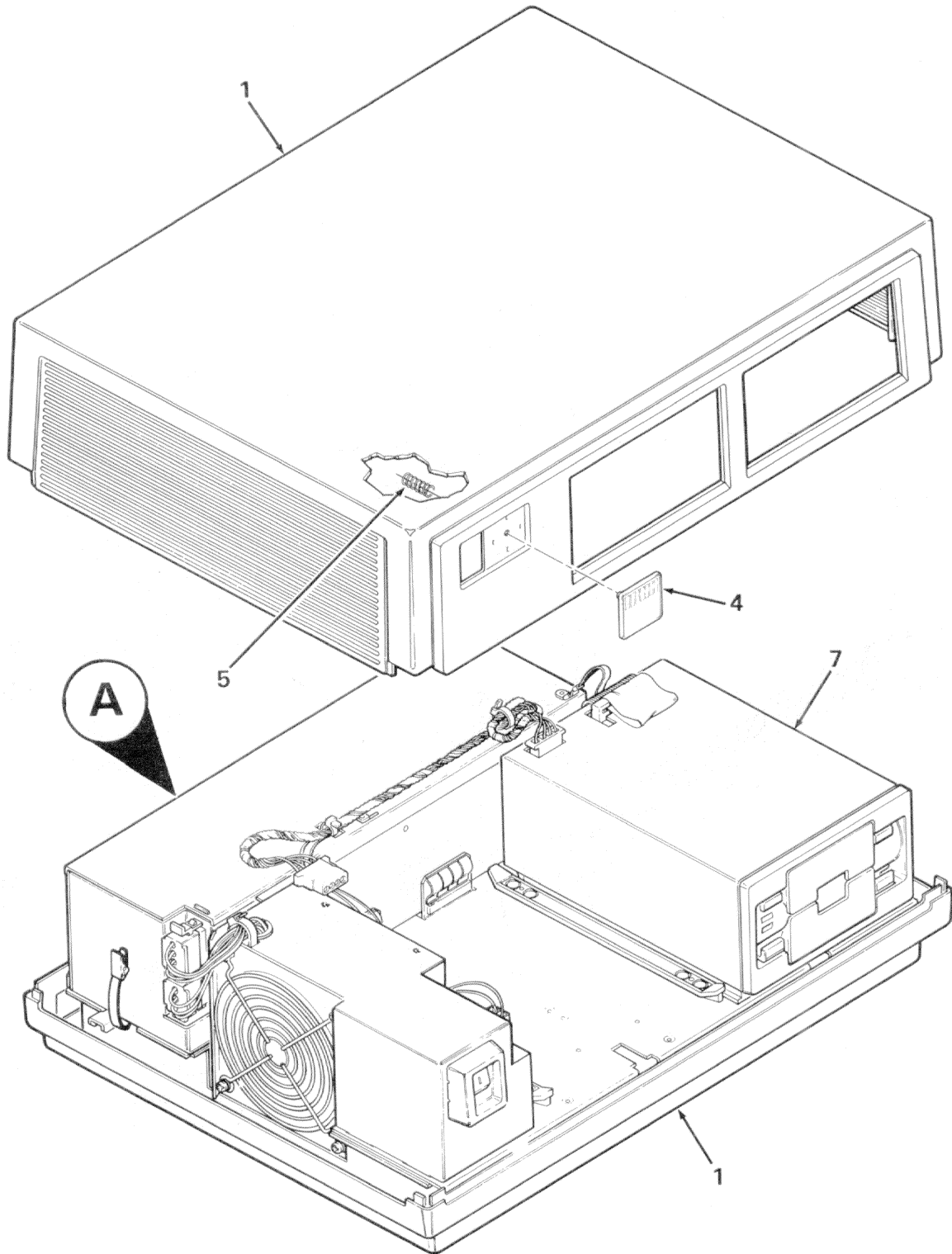
Figure 1. PC100-A Rainbow 100 (Sheet 2 of 2)

| FIG. & ITEM NO. | DESCRIPTION   | DEC PART NO. | ECO CUT-IN PC100 00005 | USED ON CODE | REF FIG NO. |
|-----------------|---|--------------|------------------------|--------------|-------------|
| 1-X-            | PC100-A RAINBOW 100                                   |              |                        |              |             |
|                 | Code A - Used on Model PC100-A, 120/240V              | PC100-A      |                        | A            |             |
|                 | Code B - Used on Model PC100-A1, 120V (added)         | PC100-A1     | 00006                  | B            |             |
| 1               | *SYSTEM UNIT ENCLOSURE ASSEMBLY                       | BA25-B       |                        | A            | 2           |
|                 | *SYSTEM UNIT ENCLOSURE ASSEMBLY (added)               | BA25-A       | 00006                  | B            | 2           |
| X- 2            | *CPU ASSEMBLY (NFR) See Note Below                    | 70-19974-00  |                        |              | 3           |
| X- 3            | *RX50 Controller Module                               | 54-15482-00  |                        |              |             |
| 4               | *Medallion (Rainbow)                                  | 74-27256-03  |                        |              |             |
| X- 5            | *Spring, Compression                                  | 12-20113-01  |                        |              |             |
| X- 6            | *Video Cable Assembly (6 ft)                          | 17-00283-00  |                        |              |             |
| X- 7            | *RX50 DUAL DISKETTE DRIVE (added) See RX50 IPB        | RX50-AA      | 00006                  | B            |             |
| 8               | *H7842-B POWER SUPPLY 120V (added)                    | H7842-B      | 00006                  | B            | 6A          |
| X- 9            | *Communication Cable Assembly (BCC04) (10 ft) (added) | 17-00402-01  | 00010                  |              |             |
| 10              | *Printer Loopback Plug                                | 29-24631-00  |                        |              |             |
| 11              | *Comm Connector Loopback Plug                         | 12-15336-01  |                        |              |             |
|                 | Labels (Not Shown)                                    |              |                        |              |             |
|                 | *Label, "Regulations"                                 | 36-20218-01  |                        | A            |             |
|                 | *Label, "Regulations" (added)                         | 36-20218-07  | 00006                  | B            |             |
|                 | *Label, "Power Rating"                                | 36-20215-06  |                        | A            |             |
|                 | *Label, "Power Rating" (added)                        | 36-20215-08  | 00006                  | B            |             |
|                 | *Label, "Bar Code"                                    | 36-18460-06  |                        |              |             |
|                 | *Label, "Correct Voltage Setting"                     | 36-16157-00  |                        | A            |             |
|                 | *Label, "Permanently Set for 120V" (added)            | 36-21750-01  | 00006                  | B            |             |
|                 | Note; NFR=Not Field Repairable                        |              |                        |              |             |

X = Purchasable Parts from PSG (See Green Section)

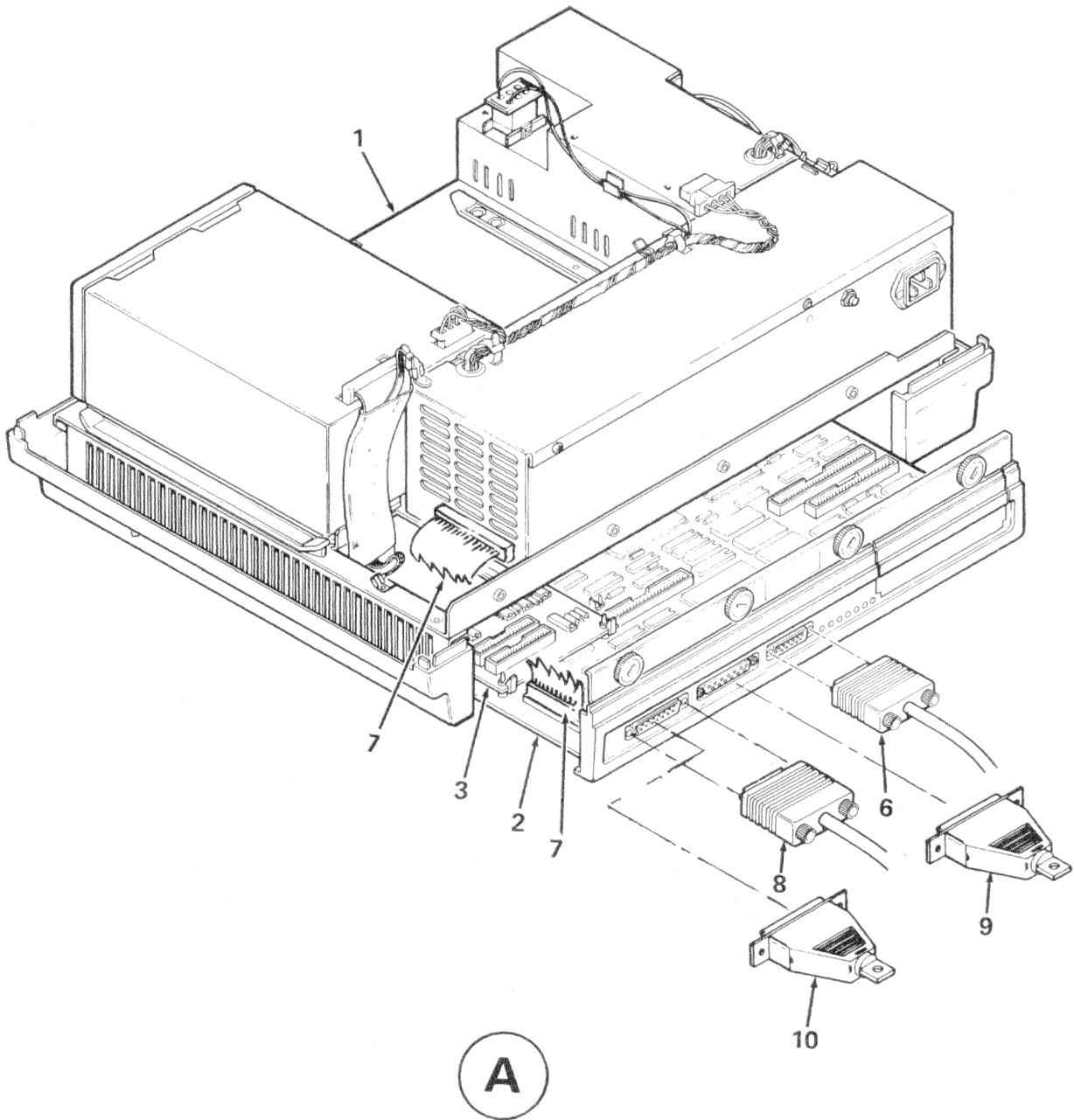






PC100-01B

Figure 1A. PC100-B Rainbow 100 (Sheet 1 of 2)



A

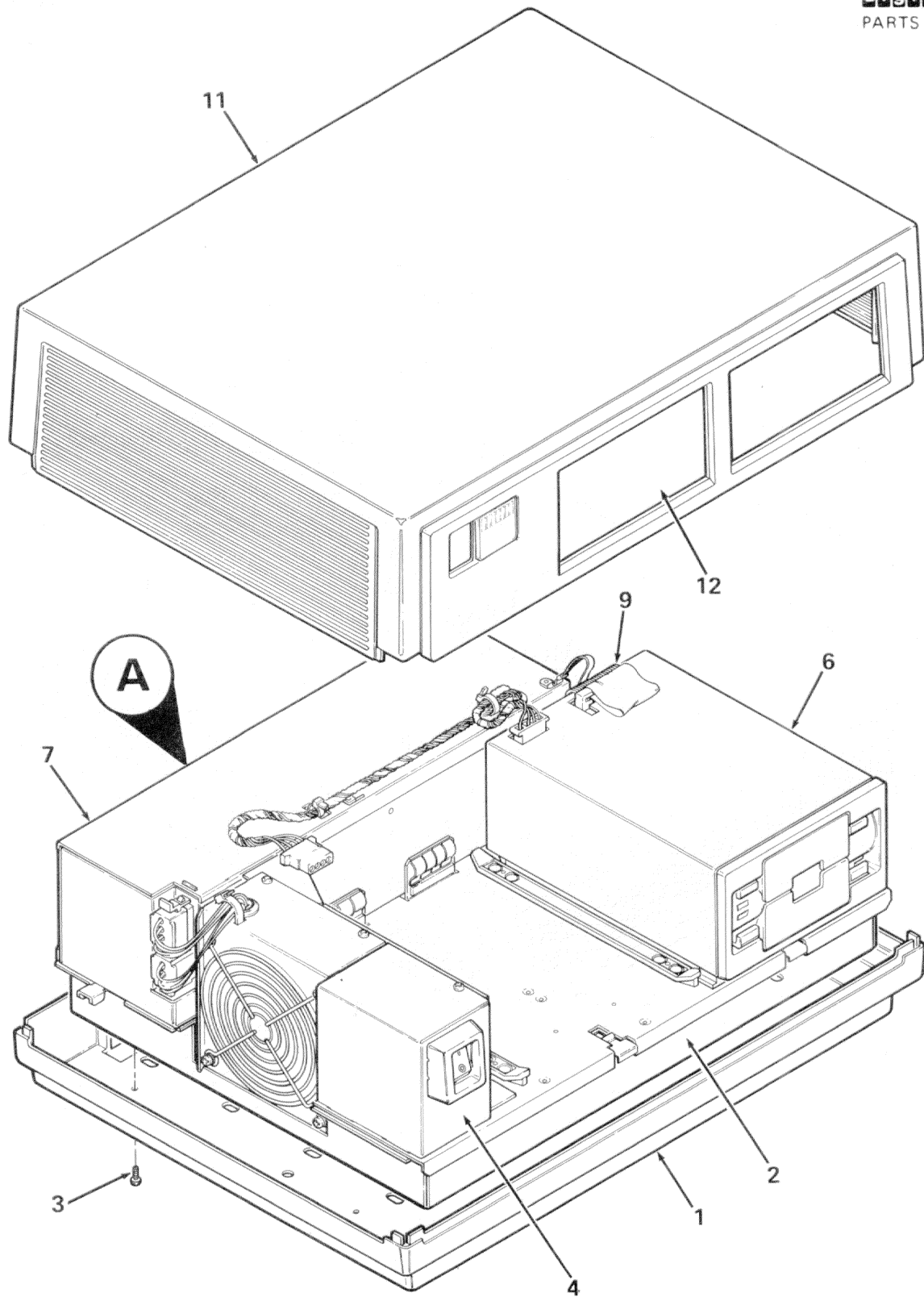
PC100-01C

Figure 1A. PC100-B Rainbow 100 (Sheet 2 of 2)

| FIG. & ITEM NO. | DESCRIPTION   | DEC PART NO. | ECO CUT-IN PC100 00010 | USED ON CODE | REF FIG NO. |
|-----------------|---|--------------|------------------------|--------------|-------------|
| 1A-             | PC100-B RAINBOW 100   |              |                        |              |             |
|                 | Code C – Used on Model PC100-B2, 120V, English, German, French    | PC100-B2     |                        | C            |             |
|                 | Code D – Used on Model PC100-B3, 240V, English, German, French    | PC100-B3     |                        | D            |             |
|                 | Code E – Used on Model PC100-B4, 240V, English, Dutch, French     | PC100-B4     |                        | E            |             |
|                 | Code F – Used on Model PC100-B5, 240V, English, Finnish, Swedish  | PC100-B5     |                        | F            |             |
|                 | Code G – Used on Model PC100-B6, 240V, English, Danish, Norwegian | PC100-B6     |                        | G            |             |
|                 | Code H – Used on Model PC100-B7, 240V, English, Spanish, Italian  | PC100-B7     |                        | H            |             |
| 1               | *SYSTEM UNIT ENCLOSURE ASSEMBLY                                   | BA25-CB      |                        | C-H          | 2A          |
| X- 2            | *CPU ASSEMBLY (NFR) See Note Below                                | 70-19974-02  |                        | C, D         | 3B          |
|                 | *CPU ASSEMBLY (NFR) See Note Below                                | 70-19974-03  |                        | E            | 3B          |
|                 | *CPU ASSEMBLY (NFR) See Note Below                                | 70-19974-04  |                        | F            | 3B          |
|                 | *CPU ASSEMBLY (NFR) See Note Below                                | 70-19974-05  |                        | G            | 3B          |
|                 | *CPU ASSEMBLY (NFR) See Note Below                                | 70-19974-06  |                        | H            | 3B          |
| X- 3            | *RX50 Controller Module   | 54-15482-00  |                        |              |             |
| 4               | *Medallion (Rainbow +)  | 74-27256-06  |                        |              |             |
| X- 5            | *Spring, Compression  | 12-20113-01  |                        |              |             |
| X- 6            | *Video Cable Assembly (6 ft)                                      | 17-00283-00  |                        |              |             |
| 7               | *Motherboard Cable Assembly                                       | 17-00318-02  |                        |              |             |
| X- 8            | *Communication Cable Assembly (BCC04) (10 ft)                     | 17-00402-01  |                        |              |             |
| 9               | *Printer Loopback Plug  | 29-24631-00  |                        |              |             |
| 10              | *Comm Connector Loopback Plug                                     | 12-15336-04  |                        |              |             |
|                 | Labels (Not Shown)  |              |                        |              |             |
|                 | *Label, "Regulations"   | 36-20218-09  |                        | C, E-H       |             |
|                 | *Label, "Regulations"   | 36-20218-12  |                        | D            |             |
|                 | *Label, "Power Rating"  | 36-20215-09  |                        |              |             |
|                 | *Label, "Bar Code"  | 36-18460-06  |                        |              |             |
|                 | *Label, "Correct Voltage Setting"                                 | 36-17905-07  |                        | C            |             |
|                 | *Label, "Correct Voltage Setting"                                 | 36-17905-09  |                        | D, H         |             |
|                 | *Label, "Correct Voltage Setting"                                 | 36-17905-11  |                        | F, G         |             |
|                 | *Label, "Correct Voltage Setting"                                 | 36-17905-12  |                        | E            |             |
|                 | Note: NFR=Not Field Repairable                                    |              |                        |              |             |

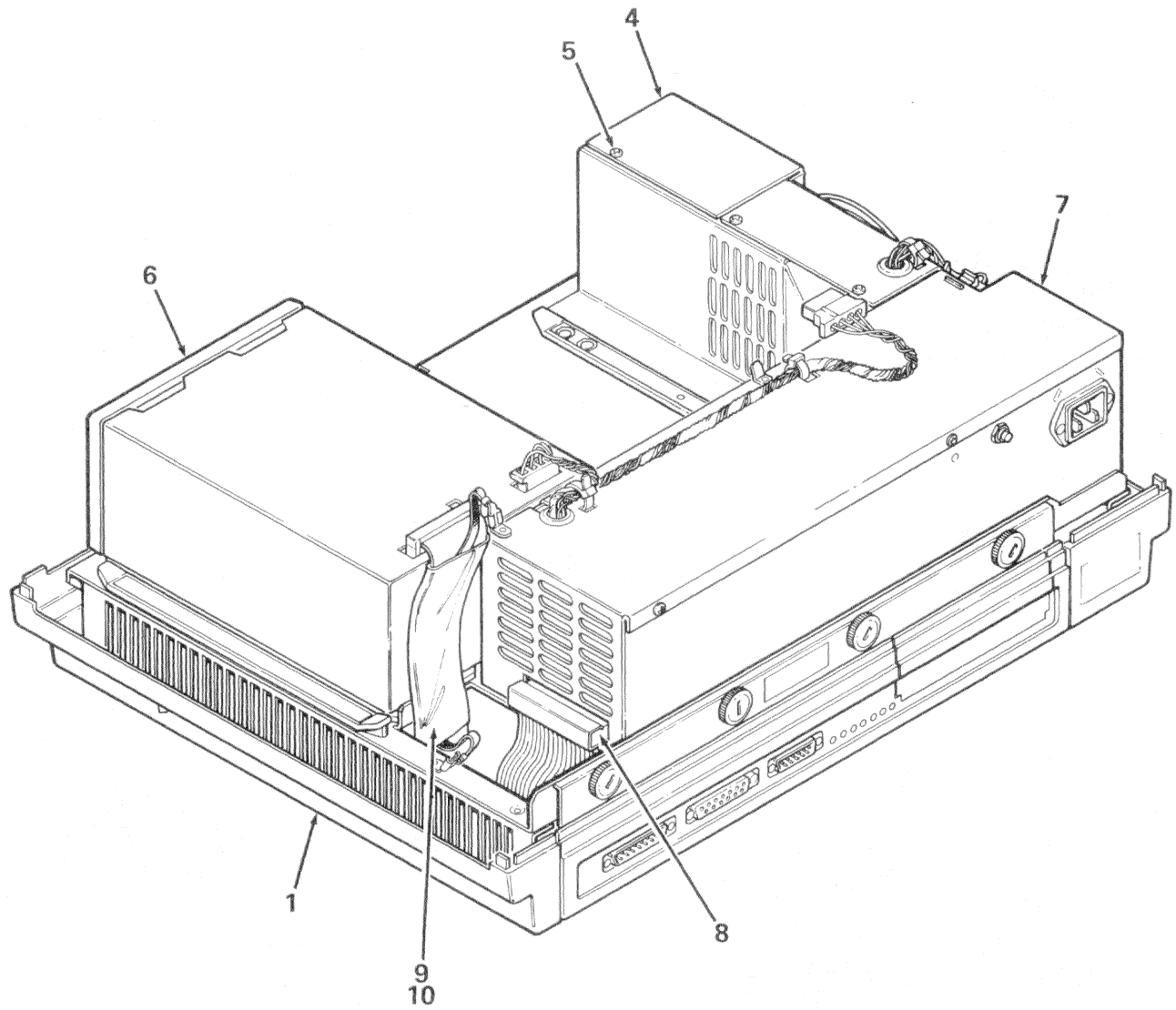
X = Purchasable Parts from PSG (See Green Section)





PC100-02

Figure 2. PC100-A System Unit Enclosure Assembly (Sheet 1 of 2)



A

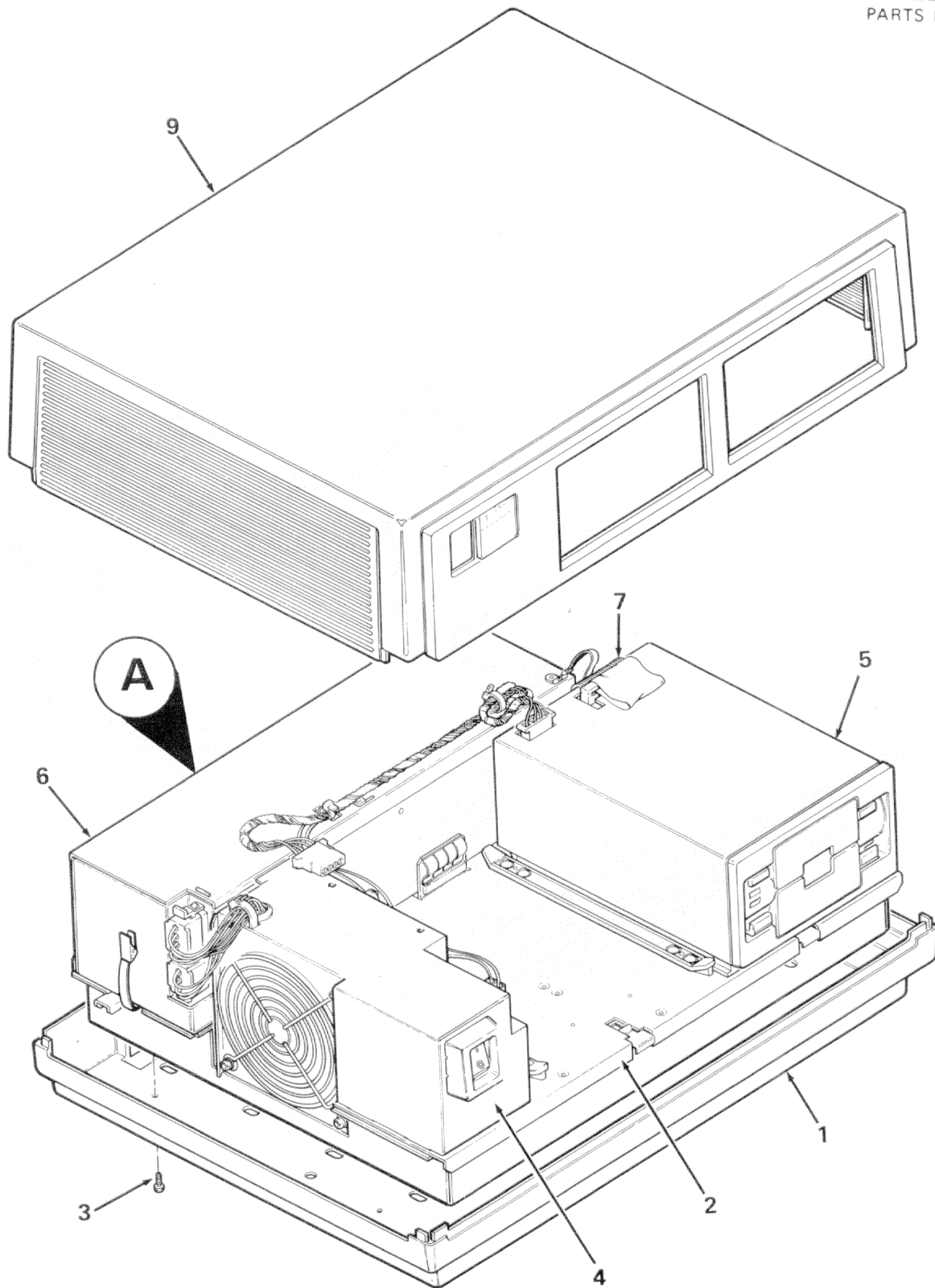
PC100-02A

Figure 2. PC100-A System Unit Enclosure Assembly (Sheet 2 of 2)

| FIG. & ITEM NO. | DESCRIPTION  | DEC PART NO. | ECO CUT-IN BA25 00000 | USED ON CODE | REF FIG NO. |
|-----------------|--|--------------|-----------------------|--------------|-------------|
| 2-              | SYSTEM UNIT ENCLOSURE ASSEMBLY                                 | BA25-B       |                       | A            | 1           |
|                 | SYSTEM UNIT ENCLOSURE ASSEMBLY (added)                         | BA25-A       | 00001                 | B            | 1           |
| X- 1            | *BOTTOM ENCLOSURE ASSEMBLY                                     | 70-19573-00  |                       |              | 4           |
| 2               | *Riveted Assembly  | 70-19571-00  |                       |              |             |
| 3               | *Screw, Phl Flat Hd No. 6-32 x 5/16                            | 90-06021-02  |                       |              |             |
| 4               | *FAN BRACKET ASSEMBLY  | 70-19572-00  |                       |              | 5           |
| 5               | *Screw, Sems Phl Pan Hd No. 6-32 x 5/16                        | 90-09701-00  |                       |              |             |
| X- 6            | *RX50 DUAL DISKETTE DRIVE See RX50 IPB                         | RX50-AA      |                       | A            |             |
| 7               | *H7842-A POWER SUPPLY (deleted) (See Note)                     | H7842-A      |                       | A            | 6           |
| X- 8            | *H7842-D POWER SUPPLY (added)                                  | H7842-D      | 00001                 | A            | 6A          |
| X- 8            | *Motherboard Cable Assembly (deleted)                          | 17-00318-01  |                       |              |             |
|                 | *Motherboard Cable Assembly (added)                            | 17-00318-02  | 00001                 |              |             |
| 9               | *Cable Assembly  | 17-00317-03  |                       |              |             |
| 10              | *Clip, Flat Cable  | 12-13715-02  |                       |              |             |
| X- 11           | *Top Enclosure Assembly  | 70-19505-01  |                       |              |             |
| 12              | *Plate, Cover Bezel  | 74-26788-10  |                       |              |             |
|                 | Note: H7843-A is an acceptable alternate for BA25-B variation. |              |                       |              |             |

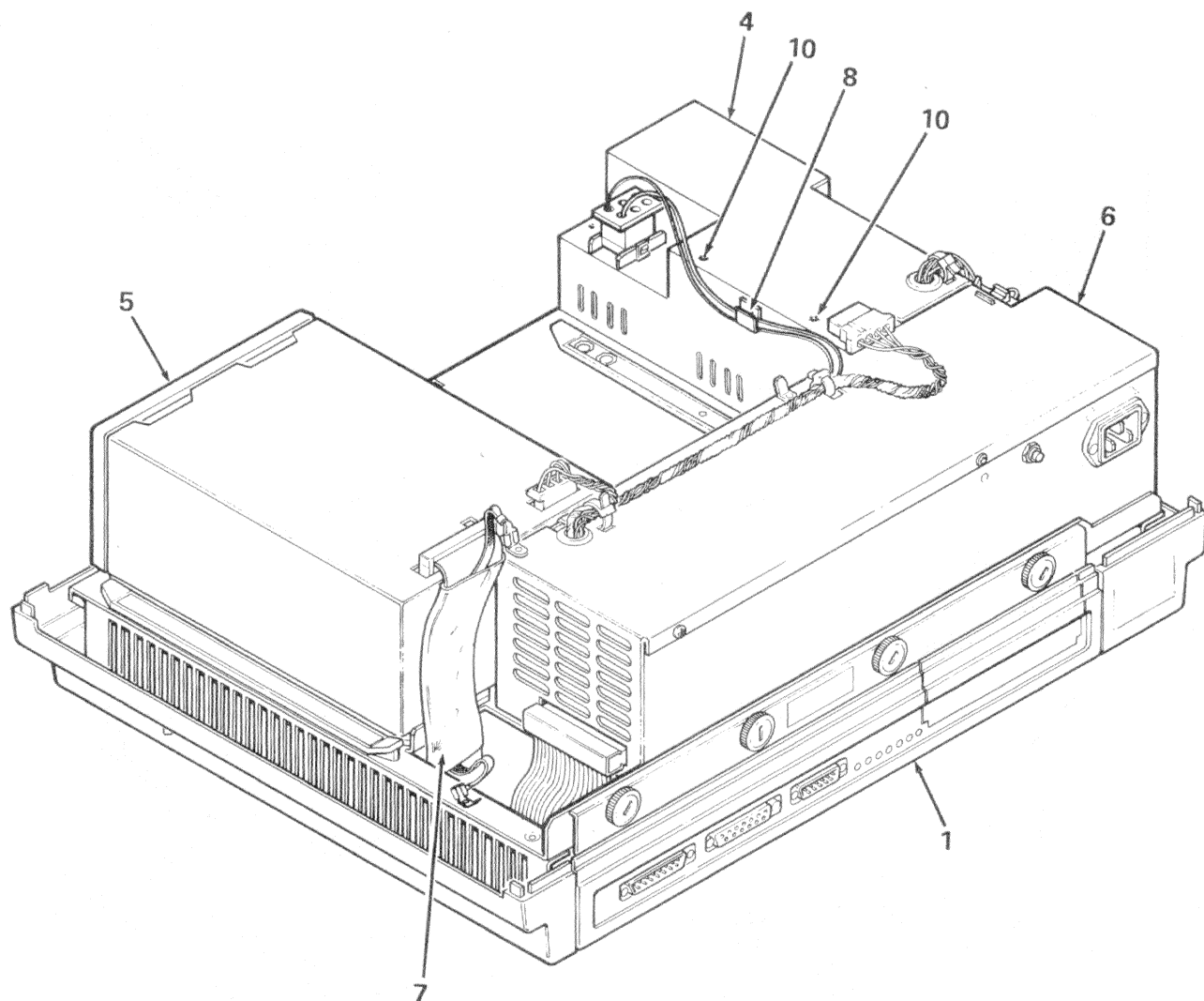






PC100-02B

Figure 2A. PC100-B System Unit Enclosure Assembly (Sheet 1 of 2)



A

Figure 2A. PC100-B System Unit Enclosure Assembly (Sheet 2 of 2)

PC100-02C

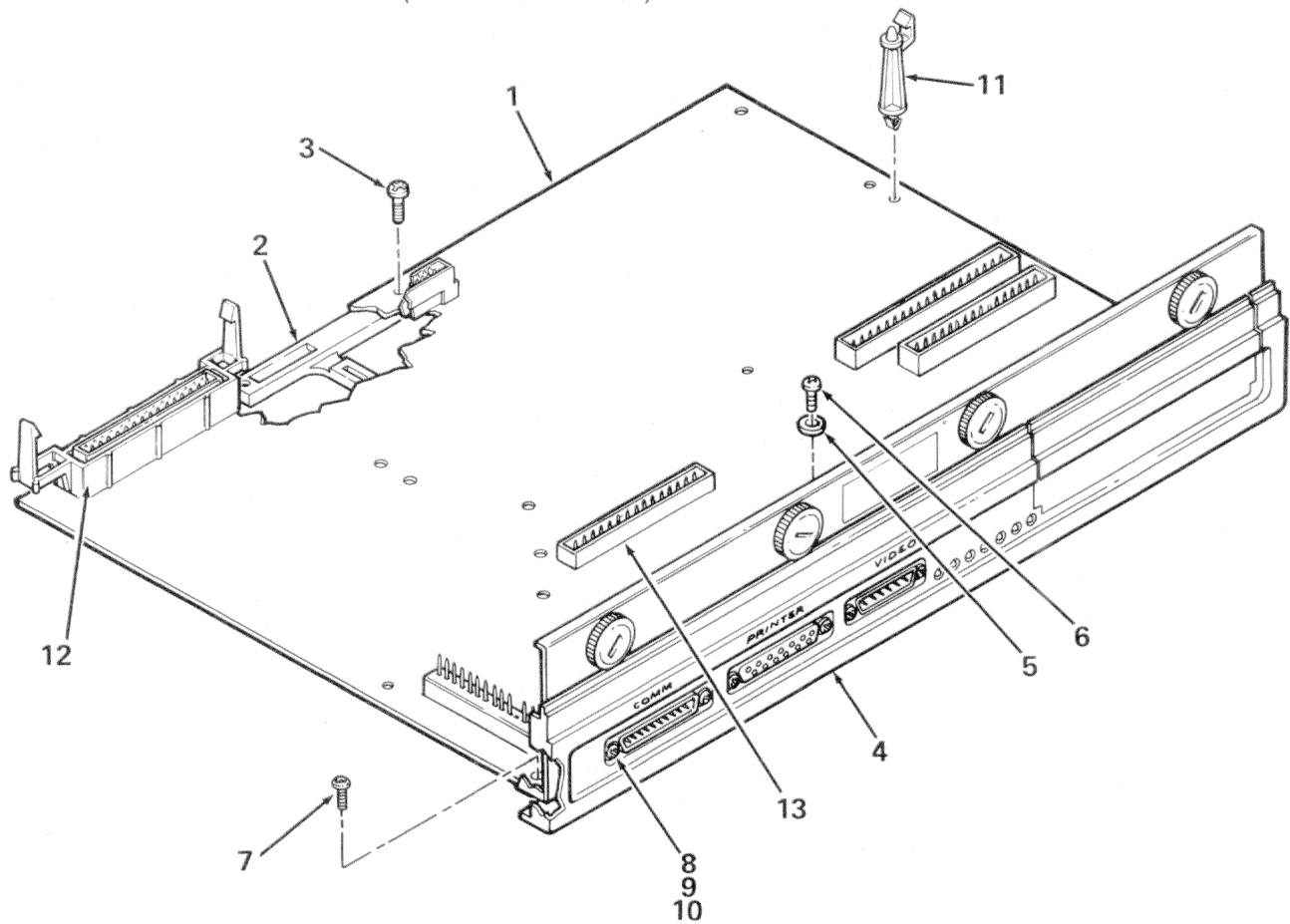
| FIG. & ITEM NO. | DESCRIPTION                             | DEC PART NO. | ECO CUT-IN BA25-00002 | USED ON CODE | REF FIG NO. |
|-----------------|---|--------------|-----------------------|--------------|-------------|
| 2A-             | SYSTEM UNIT ENCLOSURE ASSEMBLY          | BA25-CB      |                       | C-H          | 1A          |
| X- 1            | *BOTTOM ENCLOSURE ASSEMBLY              | 70-19573-00  |                       |              | 4           |
| 2               | *Riveted Assembly                       | 70-19571-01  |                       |              |             |
| 3               | *Screw, Phl Flat Hd No. 6-32 x 5/16     | 90-06021-02  |                       |              |             |
| X- 4            | *FAN ASSEMBLY                           | 70-20816-01  |                       |              | 7           |
| X- 5            | *RX50 DUAL DISKETTE DRIVE               | RX50-AA      |                       |              |             |
| X- 6            | *H7842-D POWER SUPPLY                   | H7842-D      |                       | C-H          | 6A          |
| 7               | *Cable Assembly                         | 17-00317-03  |                       |              |             |
| 8               | *Clamp, Cable (Adhesive Mount)          | 90-09771-03  |                       |              |             |
| X- 9            | *Top Enclosure Assembly                 | 70-19505-01  |                       |              |             |
| X- 10           | *Screw, Sems Phl Pan Hd No. 6-32 x 5/16 | 90-09701-00  |                       |              |             |

X = Purchasable Parts from PSG (See Green Section)



| FIG. & ITEM NO.                  | DESCRIPTION                               | DEC PART NO. | ECO CUT-IN<br>70-19974<br>00003 | USED ON CODE | REF FIG NO. |
|----------------------------------|---|--------------|---------------------------------|--------------|-------------|
| X-3-                             | PC100-A CPU ASSEMBLY (NFR) See Note Below | 70-19974-00  |                                 | A, B         | 1           |
| 1                                | *System Module Assembly                   | 54-15486-01  |                                 |              |             |
| 2                                | *Support, Keel                            | 74-27719-01  |                                 |              |             |
| 3                                | *Screw, Phi Pan Hd No. 4-20 x 3/16        | 90-1C411-01  |                                 |              |             |
| X-                               | 4 *CONNECTOR PANEL ASSEMBLY               | 70-19941-00  |                                 |              | 8           |
| 5                                | *Washer, Flat                             | 90-09948-00  |                                 |              |             |
| 6                                | *Screw, Phi Pan Hd No. 4-40 x 5/16        | 90-06010-01  |                                 |              |             |
| 7                                | *Screw, Sems Phi Pan Hd No. 4-40 x 5/16   | 90-00049-44  |                                 |              |             |
| 8                                | *Washer, Ext. Tooth Lock                  | 90-10099-00  |                                 |              |             |
| 9                                | *Screwlock (Standoff Only)                | 90-08451-05  |                                 |              |             |
| 10                               | *Loctite Adhesive                         | 90-09321-00  |                                 |              |             |
| X-                               | 11 *Standoff                              | 12-19857-01  |                                 |              |             |
| 12                               | *Clip, Restraint                          | 74-28524-01  |                                 |              |             |
| 13                               | *Clip, Retainer (added)                   | 74-28702-02  | 00006                           |              |             |
| Note: (NFR)=Not Field Repairable |   |              |                                 |              |             |

X = Purchasable Parts from PSG (See Green Section)



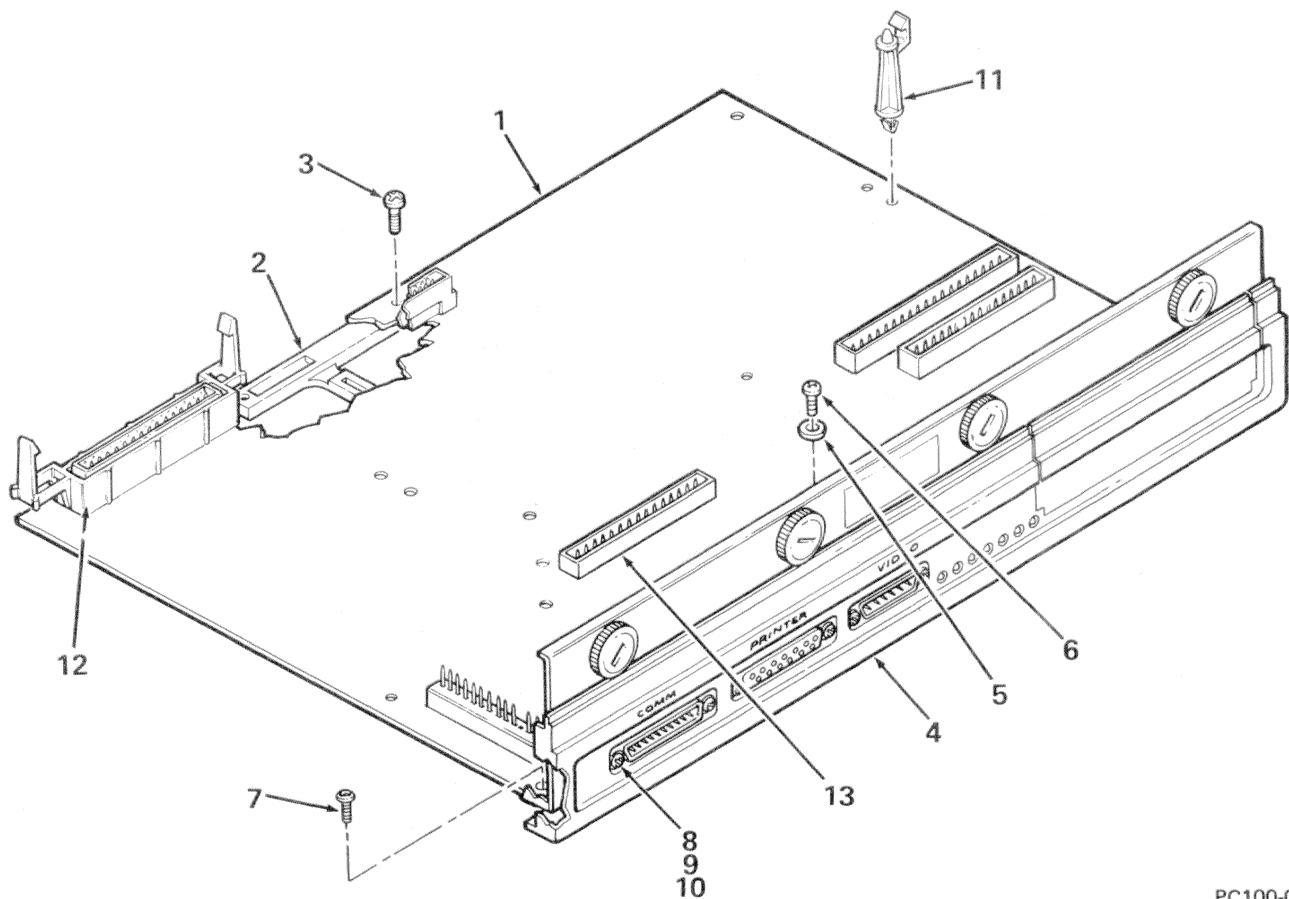
PC100-03

Figure 3. PC100-A CPU Assembly



| FIG. & ITEM NO.                   | DESCRIPTION                               | DEC PART NO. | ECO CUT-IN<br>70-19974<br>00006 | USED ON CODE | REF FIG NO. |
|-----------------------------------|---|--------------|---------------------------------|--------------|-------------|
| X-3A-                             | PC100-B CPU ASSEMBLY (NFR) See Note Below | 70-19974-01  |                                 |              | 3B          |
| 1                                 | *System Module Assembly                   | 54-16206-01  |                                 |              |             |
| 2                                 | *Support, Keel                            | 74-27719-01  |                                 |              |             |
| 3                                 | *Screw, Phl Pan Hd No. 4-20 x 3/16        | 90-10411-01  |                                 |              |             |
| X-                                | 4 *CONNECTOR PANEL ASSEMBLY               | 70-19941-00  |                                 |              | 8           |
| 5                                 | *Washer, Flat                             | 90-09948-00  |                                 |              |             |
| 6                                 | *Screw, Phl Pan Hd No. 4-40 x 5/16        | 90-06010-01  |                                 |              |             |
| 7                                 | *Screw, Sems Phl Pan Hd No. 4-40 x 5/16   | 90-00049-44  |                                 |              |             |
| 8                                 | *Washer, Ext. Tooth Lock                  | 90-10099-00  |                                 |              |             |
| 9                                 | *Screwlock (Standoff Only)                | 90-08451-05  |                                 |              |             |
| 10                                | *Locktite Adhesive                        | 90-09321-00  |                                 |              |             |
| X-                                | 11 *Standoff                              | 12-19857-01  |                                 |              |             |
| 12                                | *Clip, Restraint                          | 74-28524-01  |                                 |              |             |
| 13                                | *Clip, Retainer                           | 74-28702-02  |                                 |              |             |
| Note: (NFR)= Not Field Repairable |   |              |                                 |              |             |

X = Purchasable Parts from PSG (See Green Section)



PC100-03A

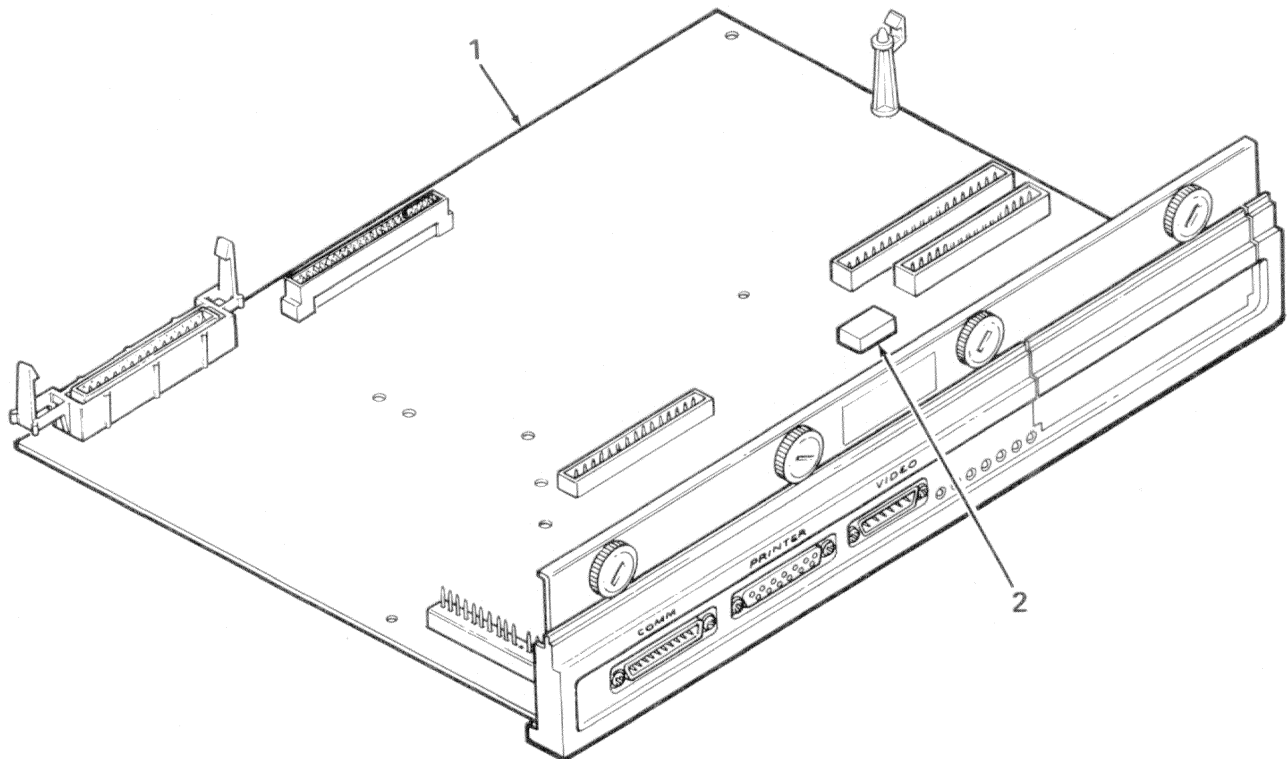
Figure 3A PC100-B CPU Assembly





| FIG. & ITEM NO.                  | DESCRIPTION  | DEC PART NO.  | ECO CUT-IN<br>70-19974<br>00006 | USED ON CODE             | REF FIG NO.                |
|----------------------------------|--|---|---------------------------------|--------------------------|----------------------------|
| X-3B-                            | PC100-B CPU ASSEMBLY (NFR) See Note Below<br>PC100-B CPU ASSEMBLY (NFR) See Note Below<br>PC100-B CPU ASSEMBLY (NFR) See Note Below<br>PC100-B CPU ASSEMBLY (NFR) See Note Below<br>PC100-B CPU ASSEMBLY (NFR) See Note Below            | 70-19974-02<br>70-19974-03<br>70-19974-04<br>70-19974-05<br>70-19974-06 |                                 | C, D<br>E<br>F<br>G<br>H | 1A<br>1A<br>1A<br>1A<br>1A |
| 1                                | *CPU ASSEMBLY  | 70-19974-01   |                                 |                          | 3A                         |
| 2                                | *ROM 1 CLUSTER 1 (English, German, French)<br>*ROM 1 CLUSTER 2 (English, French, Dutch)<br>*ROM 1 CLUSTER 3 (English, Finnish, Swedish)<br>*ROM 1 CLUSTER 4 (English, Danish, Norwegian)<br>*ROM 1 CLUSTER 5 (English, Italian, Spanish) | 23-020E5-00<br>23-015E5-00<br>23-016E5-00<br>23-017E5-00<br>23-018E5-00 |                                 | C, D<br>E<br>F<br>G<br>H |                            |
| Note: (NFR)=Not Field Repairable |  |   |                                 |                          |                            |

X = Purchasable Parts from PSG (See Green Section)



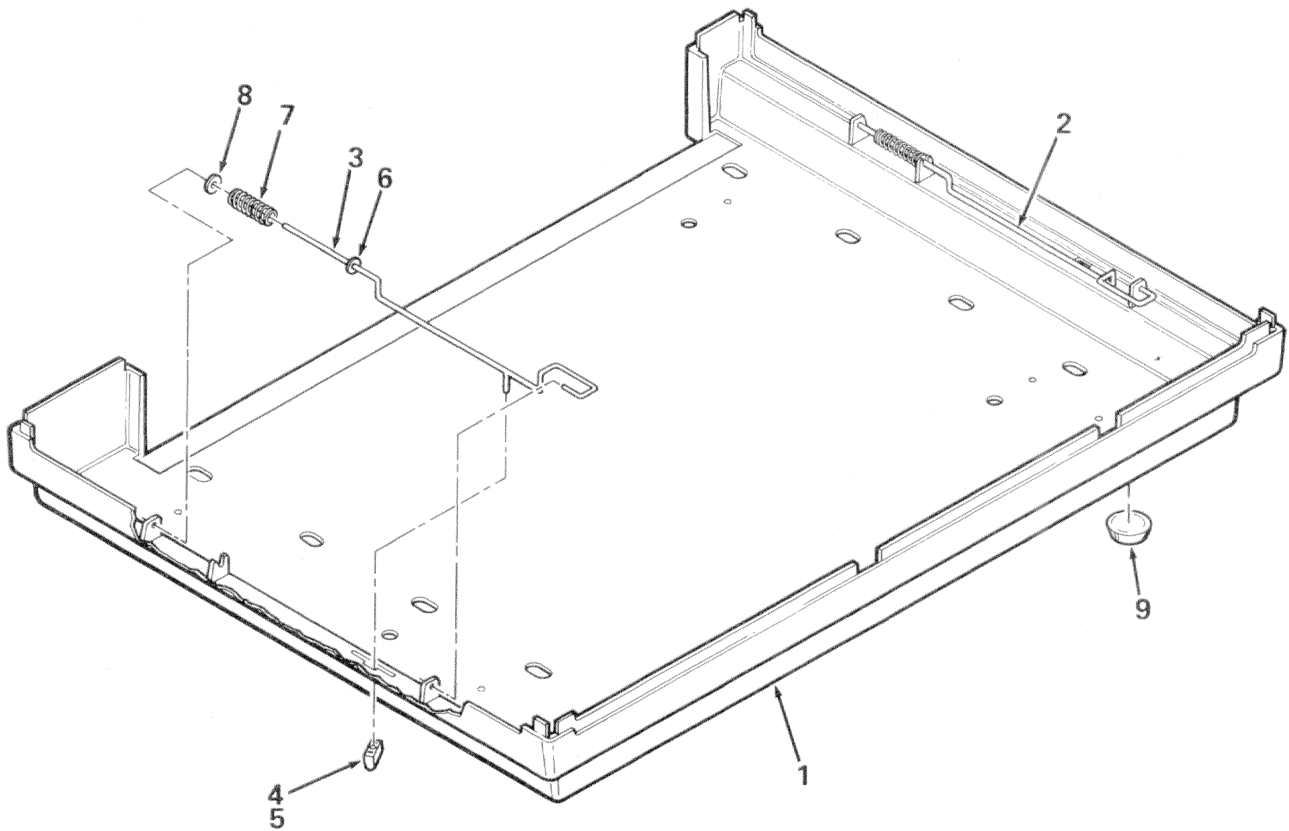
PC100-03B

Figure 3B. PC100-B CPU Assembly



| FIG. & ITEM NO. | DESCRIPTION                         | DEC PART NO. | ECO CUT-IN<br>70-19573<br>00000 | USED ON CODE | REF FIG NO. |
|-----------------|-------------------------------------|--------------|---------------------------------|--------------|-------------|
| X-4-            | BOTTOM ENCLOSURE ASSEMBLY           | 70-19573-00  |                                 |              | 2,2A        |
| 1               | * Enclosure, Bottom                 | 74-26688-01  |                                 |              |             |
| X- 2            | * Latch, Wire (R.H.)                | 74-26242-01  |                                 |              |             |
| 3               | * Latch, Wire (L.H.)                | 74-26242-02  |                                 |              |             |
| X- 4            | * Handle, Latch Wire                | 74-26537-01  |                                 |              |             |
| 5               | * Adhesive                          | 49-01259-00  |                                 |              |             |
| 6               | * Washer, Flat (deleted)            | 90-09775-00  |                                 |              |             |
|                 | * Washer, Flat (added)              | 90-09775-01  | 00002                           |              |             |
| X- 7            | * Spring, Compression               | 12-19914-01  |                                 |              |             |
| 8               | * Ring, Retaining                   | 90-09273-00  |                                 |              |             |
| X- 9            | * Bumper, Rubber (Adhesived Backed) | 90-08525-00  |                                 |              |             |

X = Purchasable Parts from PSG (See Green Section)



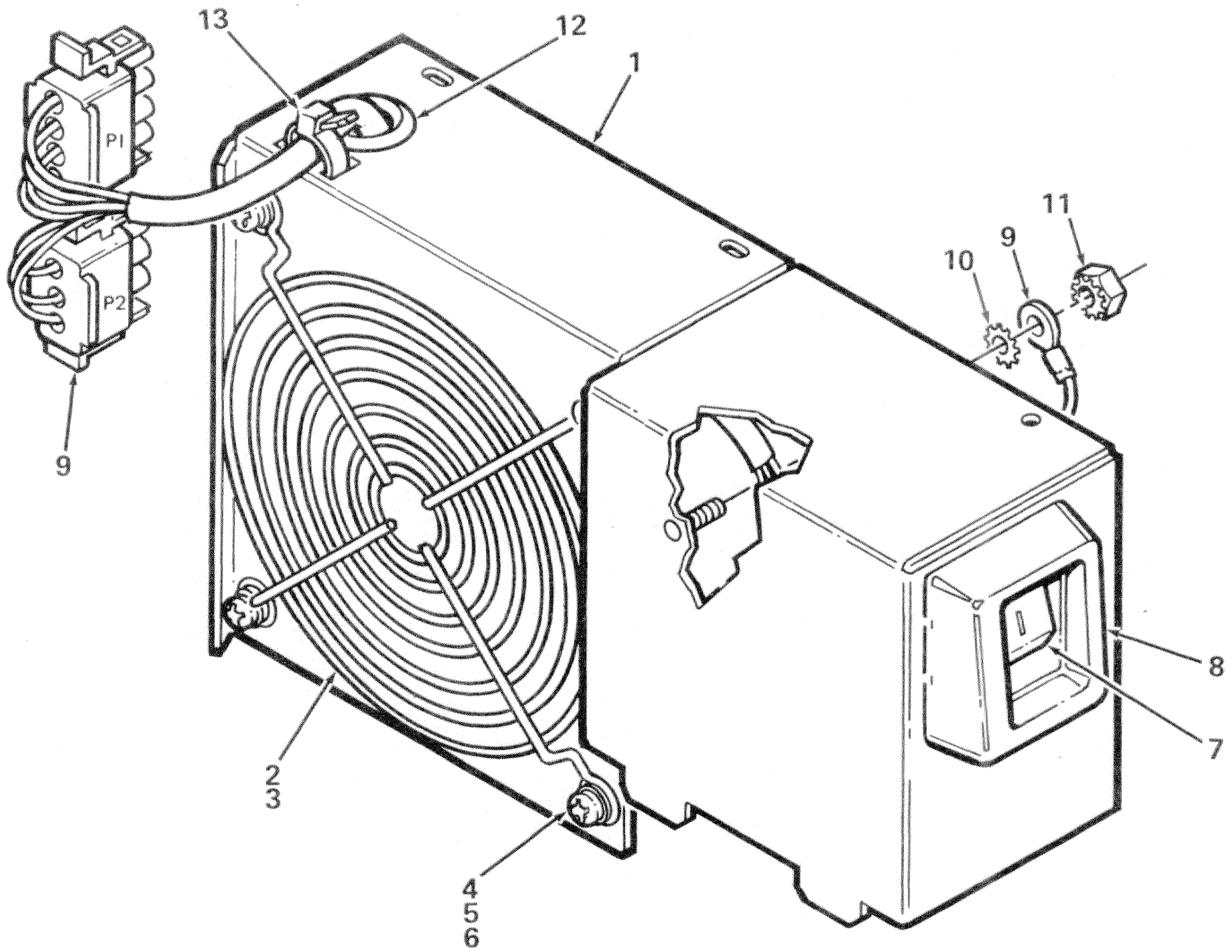
PC100-04

Figure 4. Bottom Enclosure Assembly



| FIG. & ITEM NO. | DESCRIPTION                       | DEC PART NO. | ECO CUT-IN<br>70-19572<br>00000 | USED ON CODE | REF FIG NO. |
|-----------------|-----------------------------------|--------------|---------------------------------|--------------|-------------|
| 5-              | PC100-A A.C. FAN BRACKET ASSEMBLY | 70-19572-00  |                                 | A,B          | 2           |
| 1               | *Bracket, Fan                     | 74-26691-01  |                                 |              |             |
| X- 2            | *Fan, 4-1/2 in. 70 CFM            | 12-13185-03  |                                 |              |             |
| 3               | *Guard, Finger                    | 12-10263-01  |                                 |              |             |
| 4               | *Screw, Phl Pan Hd No. 6-32 x 7/8 | 90-06027-01  |                                 |              |             |
| 5               | *Washer, Flat                     | 90-06653-00  |                                 |              |             |
| 6               | *Nut, Kep No. 6-32                | 90-08185-00  |                                 |              |             |
| X- 7            | *Switch, Rocker 16A               | 12-17051-04  |                                 |              |             |
| X- 8            | *Bezel, Switch                    | 74-26246-01  |                                 |              |             |
| 9               | *Fan and Switch Harness Assembly  | 70-19520-00  |                                 |              |             |
| 10              | *Washer, Ext Tooth Lock No. 10    | 90-07651-00  |                                 |              |             |
| 11              | *Nut, Kep No. 10-32               | 90-06565-00  |                                 |              |             |
| 12              | *Bushing, Snap (Nylon) (added)    | 90-10353-01  | 00001                           |              |             |
| 13              | *Cable Tie (added)                | 90-07880-00  | 00002                           |              |             |

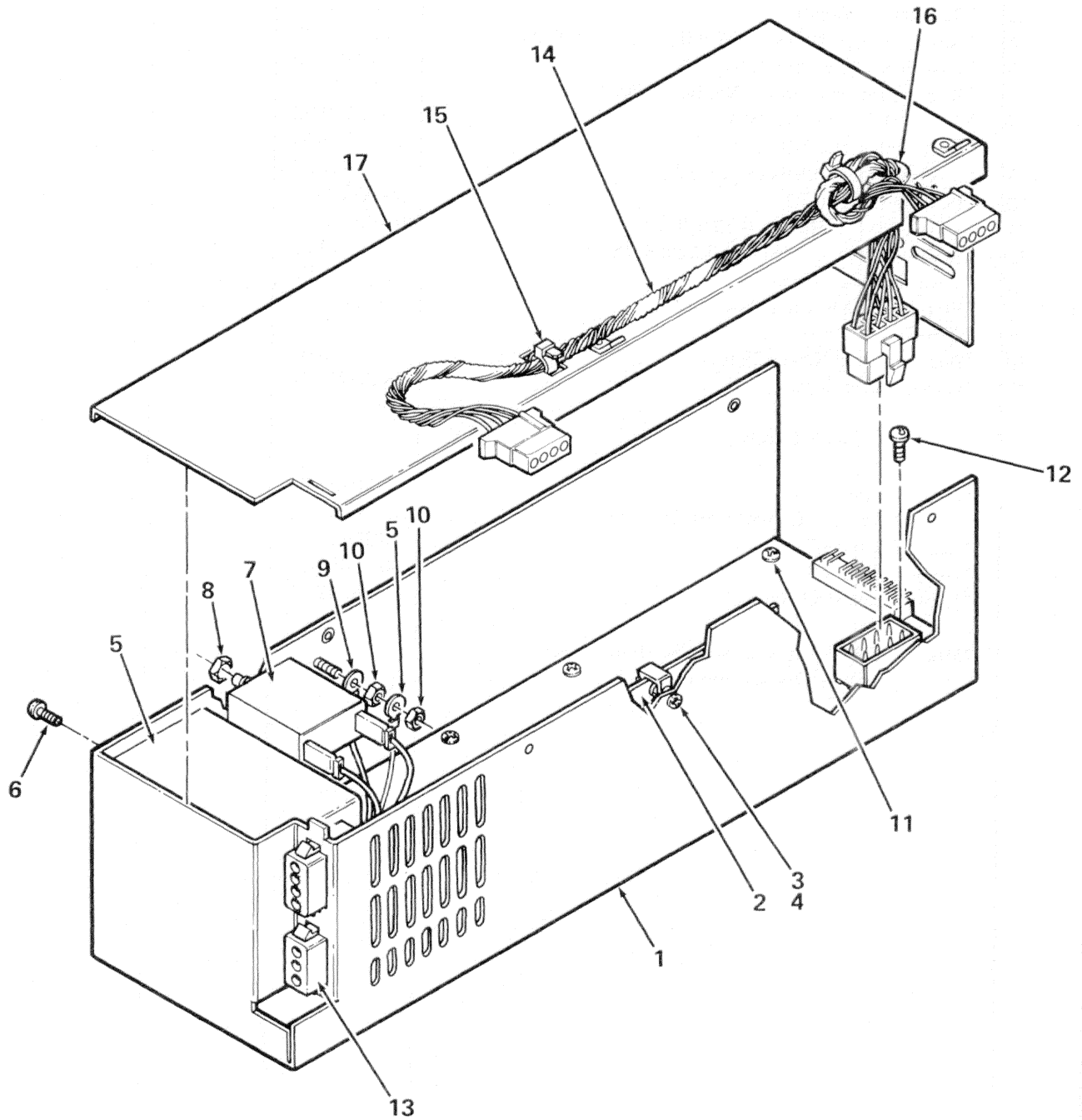
X = Purchasable Parts from PSG (See Green Section)



PC100-05

A.C. PC100-A Fan Bracket Assembly





PC100-06

Figure 6. H7842-A Power Supply

| FIG. & ITEM NO. | DESCRIPTION   | DEC PART NO. | ECO CUT-IN H7842-00006 | USED ON CODE | REF FIG NO. |
|-----------------|---|--------------|------------------------|--------------|-------------|
| X-6-            | H7842-A POWER SUPPLY (deleted) (See Note)                           | H7842-A      | BA25-00001             | A            | 2           |
| 1               | *Box, Power Supply  | 74-26693-01  |                        |              |             |
| 2               | *Power Supply Board   | 54-15187-00  |                        |              |             |
| 3               | *Support, PC Board  | 12-20330-01  |                        |              |             |
| 4               | *Screw, Phl Pan Hd No. 6-32 x 3/8 (Tapping Type)                    | 90-09755-00  |                        |              |             |
| 5               | *Line Filter Assembly 90V @ 4A                                      | 70-19732-00  |                        |              |             |
| 6               | *Screw, Sems Phl Pan Hd No. 6-32 x 5/16                             | 90-10155-00  |                        |              |             |
| X-              | *Circuit Breaker 4.0A 250V  | 12-19912-02  |                        |              |             |
| 8               | *Nut, Switch No. 3/8-32   | 90-07628-00  |                        |              |             |
| 9               | *Washer, Ext Tooth Lock No. 10                                      | 90-07651-00  |                        |              |             |
| 10              | *Nut, Kep No. 10-32   | 90-06565-00  |                        |              |             |
| 11              | *Screw, Phl Pan Hd No. 6-32 x 3/8                                   | 90-06022-01  |                        |              |             |
| 12              | *Screw, Washer Pan Hd No. 6-32 x 5/16                               | 90-10245-00  |                        |              |             |
| 13              | *Jumper Cable Assembly  | 70-19522-00  |                        |              |             |
| X-              | *Floppy Drive Harness Assembly                                      | 70-19730-00  |                        |              |             |
| 15              | *Cable Tie  | 90-07880-00  |                        |              |             |
| 16              | *Bushing, Snap (Open/Close)   | 90-10353-01  |                        |              |             |
| 17              | *Cover, Power Supply  | 74-26692-01  |                        |              |             |
|                 | Labels/Decals (Not Shown)   |              |                        |              |             |
|                 | * Label, "Fuse"   | 36-20123-01  |                        |              |             |
|                 | * Label, "Caution, Correct Voltage Setting"                         | 36-16157-00  |                        |              |             |
|                 | * Label, "Caution"  | 36-20124-01  |                        |              |             |
|                 | * Decal, "Ground"   | 36-12680-00  |                        |              |             |
|                 | * Label, "Electrical Rating"  | 36-20122-02  |                        |              |             |
|                 | Note: H7842-A is an acceptable alternate for the PC100-A variation. |              |                        |              |             |

X = Purchasable Parts from PSG (See Green Section)



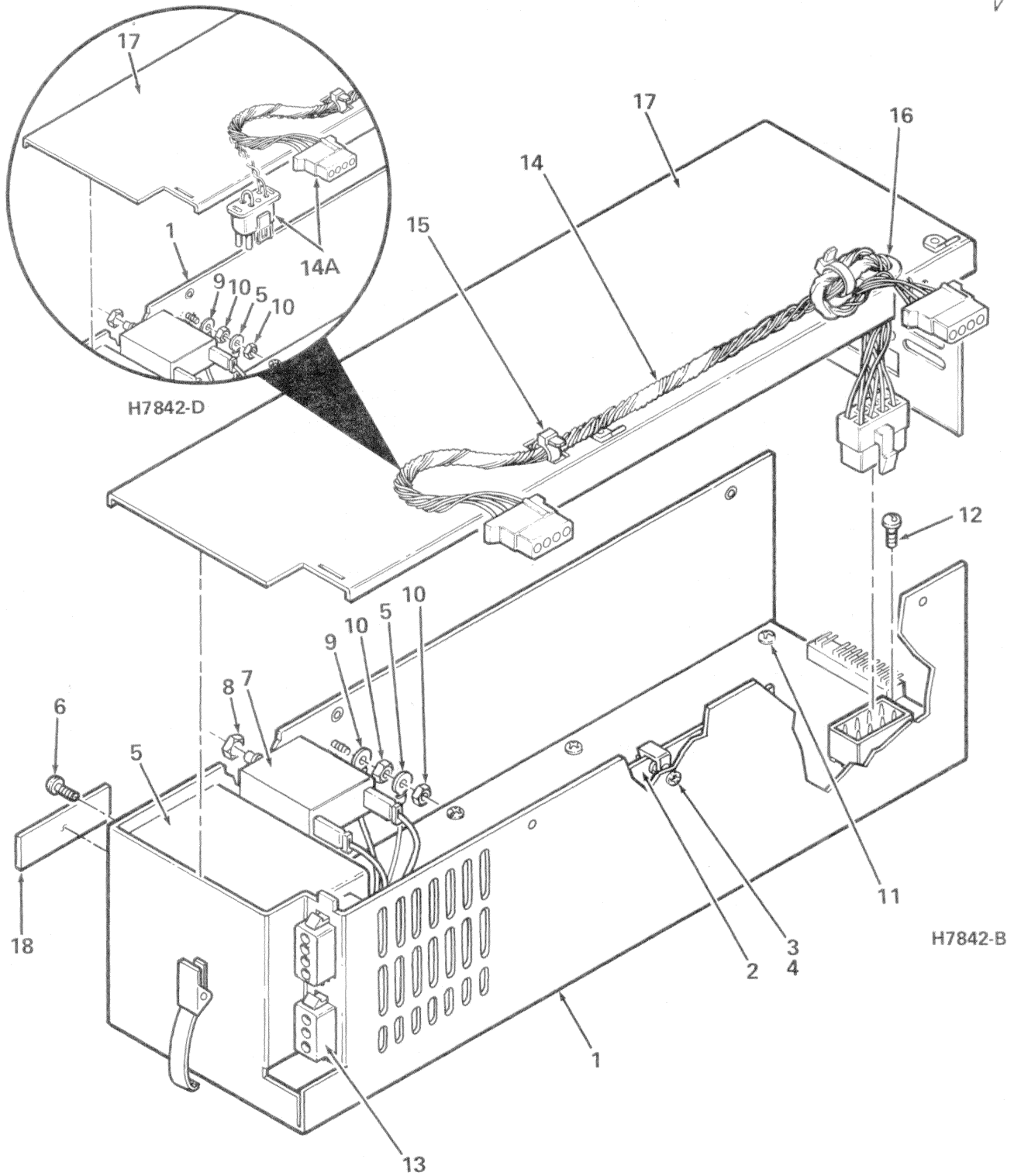
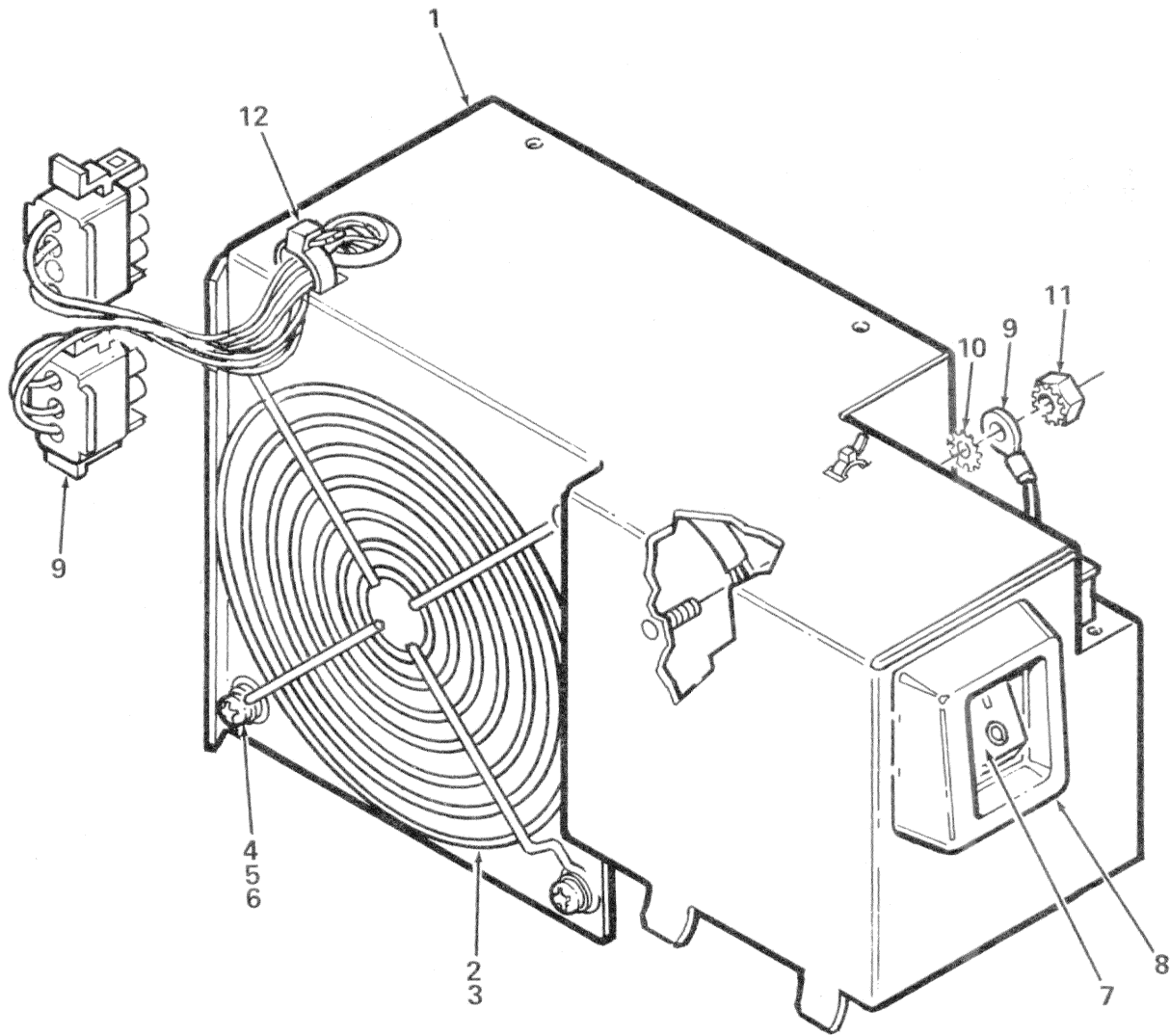


Figure 6A. H7842-B/D Power Supply Assembly

PC100-06A

| FIG. & ITEM NO. | DESCRIPTION                                      | DEC PART NO. | ECO CUT-IN H7842-00013 | USED ON CODE | REF FIG NO. |
|-----------------|--|--------------|------------------------|--------------|-------------|
| 6A-             | H7842-B POWER SUPPLY ASSEMBLY                    | H7842-B      |                        | B            | 1           |
| X-              | H7842-D POWER SUPPLY ASSEMBLY                    | H7842-D      |                        | A, C-H       | 2,2A        |
| 1               | *Box, Power Supply                               | 74-26693-01  |                        |              |             |
| 2               | *Power Supply Board                              | 54-15187-00  |                        | B            |             |
|                 | *Power Supply Board                              | 54-15187-01  |                        | A, C-H       |             |
| 3               | *Support, PC Board                               | 12-20330-01  |                        |              |             |
| 4               | *Screw, Phi Pan Hd No. 6-32 x 3/8 (Tapping Type) | 90-09755-00  |                        |              |             |
| 5               | *Line Filter Assembly 90V @ 4A                   | 70-19732-00  |                        |              |             |
| 6               | *Screw, Phi Pan Hd No. 6-32 x 1/4                | 90-06020-01  |                        |              |             |
| X-              | 7 *Circuit Breaker 4.0A 250V                     | 12-19912-02  |                        |              |             |
|                 | 8 *Nut, Switch No. 3/8-32                        | 90-07628-00  |                        |              |             |
|                 | 9 *Washer, Ext Tooth Lock No. 10                 | 90-07651-00  |                        |              |             |
|                 | 10 *Nut, Kep No. 10-32                           | 90-06565-00  |                        |              |             |
|                 | 11 *Screw, Phi Pan Hd No. 6-32 x 3/8             | 90-06022-01  |                        |              |             |
|                 | 12 *Screw, Washer Pan Hd No. 6-32 x 5/16         | 90-10245-00  |                        |              |             |
|                 | 13 *Jumper Cable Assembly                        | 70-19522-00  |                        |              |             |
| X-              | 14 *Floppy Drive Harness Assembly                | 70-19730-00  |                        | B            |             |
| 14A             | *Floppy Drive Harness Assembly                   | 70-19730-01  |                        | A, C-H       |             |
|                 | 15 *Cable Tie                                    | 90-07880-00  |                        |              |             |
|                 | 16 *Bushing, Snap (Open/Close)                   | 90-10353-01  |                        |              |             |
|                 | 17 *Cover, Power Supply                          | 74-26692-01  |                        |              |             |
|                 | 18 *Plate, Voltage Switch Cover                  | 74-28933-01  |                        | B            |             |
|                 | Labels/Decals (Not Shown)                        |              |                        |              |             |
|                 | *Label, "Fuse"                                   | 36-20123-01  |                        |              |             |
|                 | *Label, "Caution, Correct Voltage Setting"       | 36-16157-00  |                        | A, C-H       |             |
|                 | *Label, "Caution"                                | 36-20124-01  |                        |              |             |
|                 | *Decal, "Ground"                                 | 36-12680-02  |                        |              |             |
|                 | *Label, "Electrical Rating"                      | 36-22148-00  |                        |              |             |

X = Purchasable Parts from PSG (See Green Section)



PC100-07

Figure 7. D.C. Fan Bracket Assembly

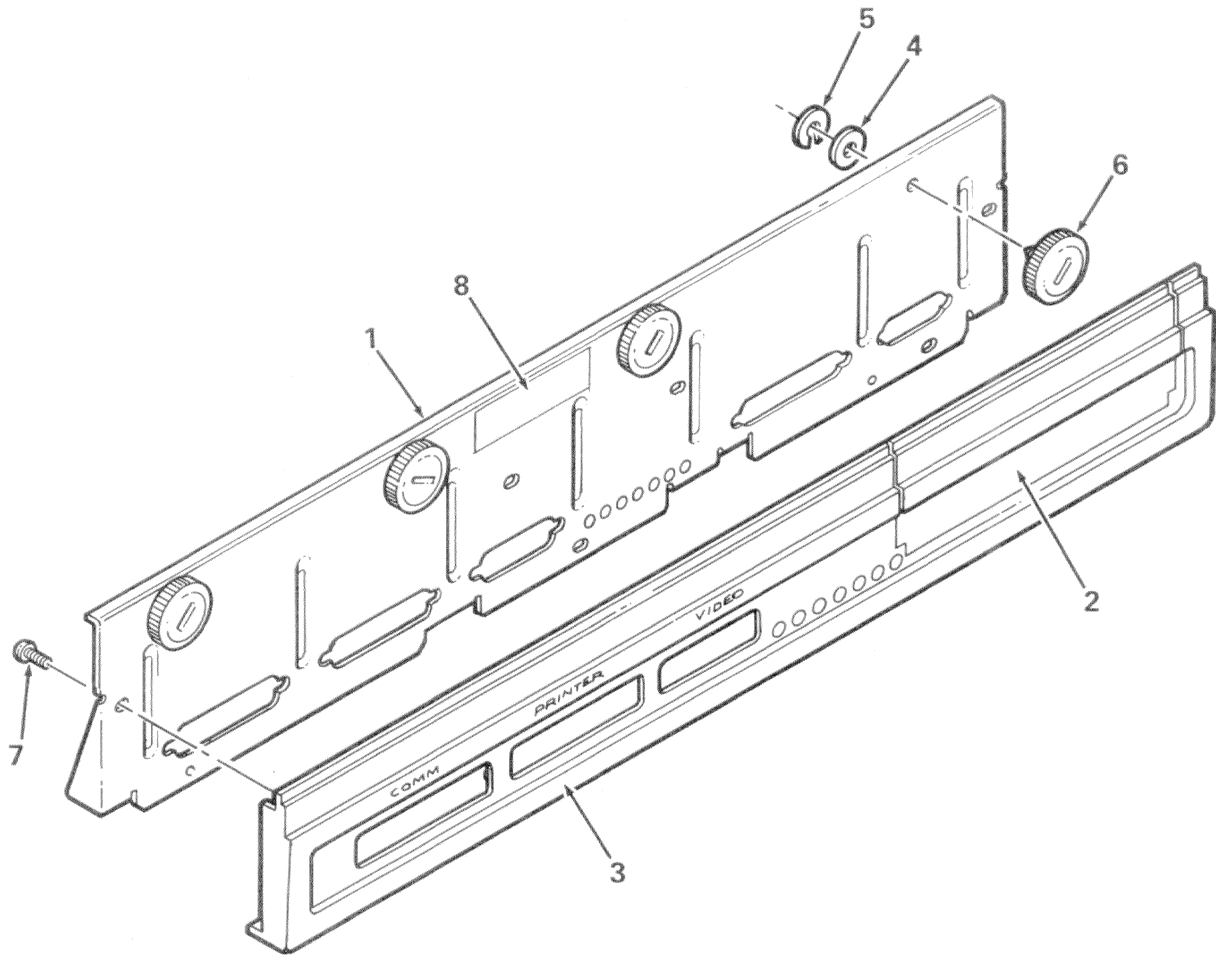
| FIG. & ITEM NO. | DESCRIPTION                               | DEC PART NO. | ECO CUT-IN<br>70-20816<br>00001 | USED ON CODE | REF FIG NO. |
|-----------------|---|--------------|---------------------------------|--------------|-------------|
| X-7-            | PC100-B D.C. FAN BRACKET ASSEMBLY (added) | 70-20816-01  | BA25-00001                      | C-H          | 2A          |
| 1               | *Bracket, Fan                             | 74-29088-01  |                                 |              |             |
| 2               | *Fan, 4-1/2 in. 40 CFM                    | 12-21817-01  |                                 |              |             |
| 3               | *Guard, Finger                            | 12-10263-01  |                                 |              |             |
| 4               | *Screw, Phl Pan Hd No. 6-32 x 7/8         | 90-06027-01  |                                 |              |             |
| 5               | *Washer, Flat                             | 90-06653-00  |                                 |              |             |
| 6               | *Nut, Kep No. 6-32                        | 90-08185-00  |                                 |              |             |
| X-              | 7 *Switch, Rocker 16A                     | 12-17051-04  |                                 |              |             |
| X-              | 8 *Bezel, Switch                          | 74-26246-01  |                                 |              |             |
|                 | 9 *Fan and Switch Cable Assembly          | 17-00466-01  |                                 |              |             |
| 10              | *Washer, Ext Tooth Lock No. 10            | 90-07651-00  |                                 |              |             |
| 11              | *Nut, Kep No. 10-32                       | 90-06565-00  |                                 |              |             |
| 12              | *Cable Tie                                | 90-07880-00  |                                 |              |             |

X = Purchasable Parts from PSG (See Green Section)

| FIG. & ITEM NO. | DESCRIPTION                                  | DEC PART NO. | ECO CUT-IN<br>70-19941<br>00001 | USED ON CODE | REF FIG NO. |
|-----------------|--|--------------|---------------------------------|--------------|-------------|
| X-8-            | CONNECTOR PANEL ASSEMBLY                     | 70-19941-00  |                                 |              | 3,3A        |
| 1               | *Weldment, Connector Panel                   | 70-19943-00  |                                 |              |             |
| 2               | *Panel, Filler                               | 74-27174-01  |                                 |              |             |
| 3               | *Panel, Dress                                | 74-26678-01  |                                 |              |             |
| 4               | *Washer, Flat                                | 90-00003-05  |                                 |              |             |
| 5               | *Ring, Ext Retaining                         | 12-20908-01  |                                 |              |             |
| 6               | *Screw, Thumb                                | 74-27703-01  |                                 |              |             |
| 7               | *Screw, Phl Pan Hd No. 4-24 x .22 (Self Tap) | 90-10426-01  |                                 |              |             |
| 8               | *Label, "Use Coin To Turn"                   | 36-21104-01  |                                 |              |             |

digital

X = Purchasable Parts from PSG (See Green Section)



PC100-08

Figure 8. Connector Panel Assembly



PC100 OPTIONS







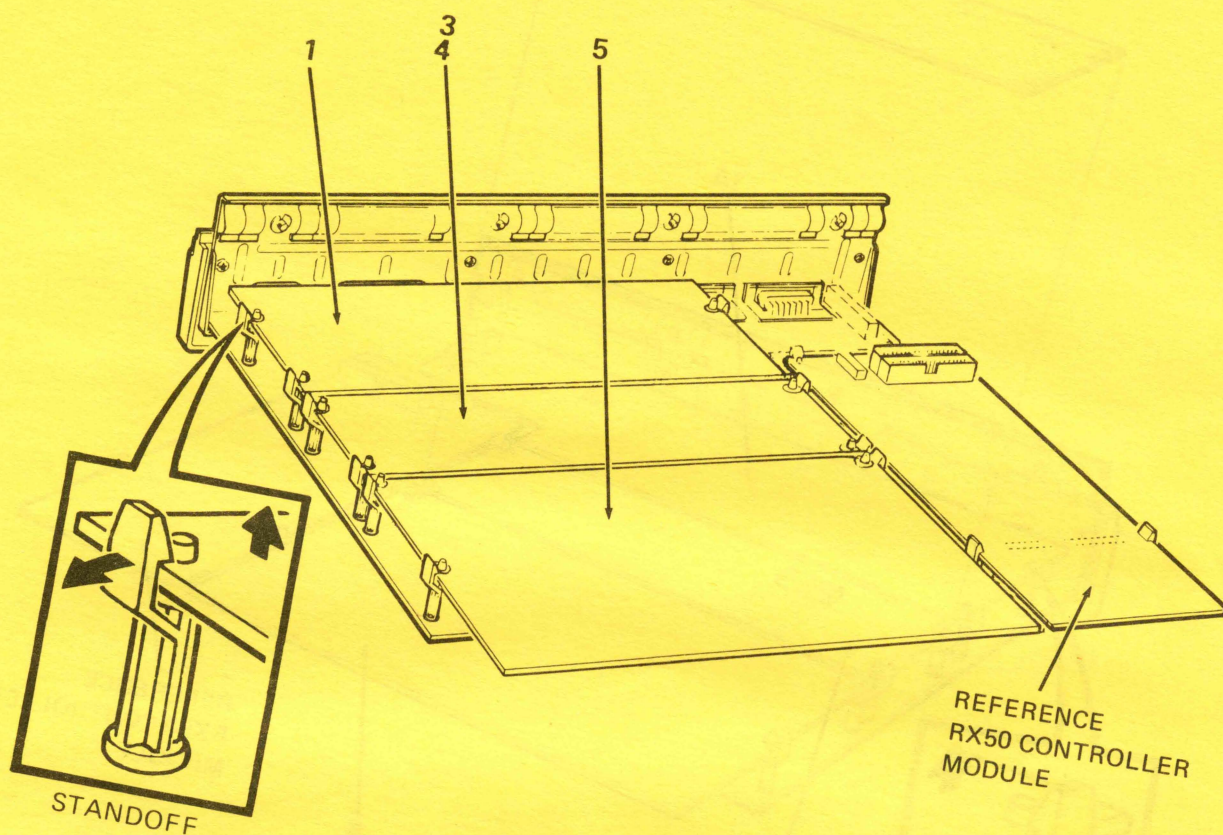


Figure 9. PC100 Options (Sheet 1 of 4)

PC100-09

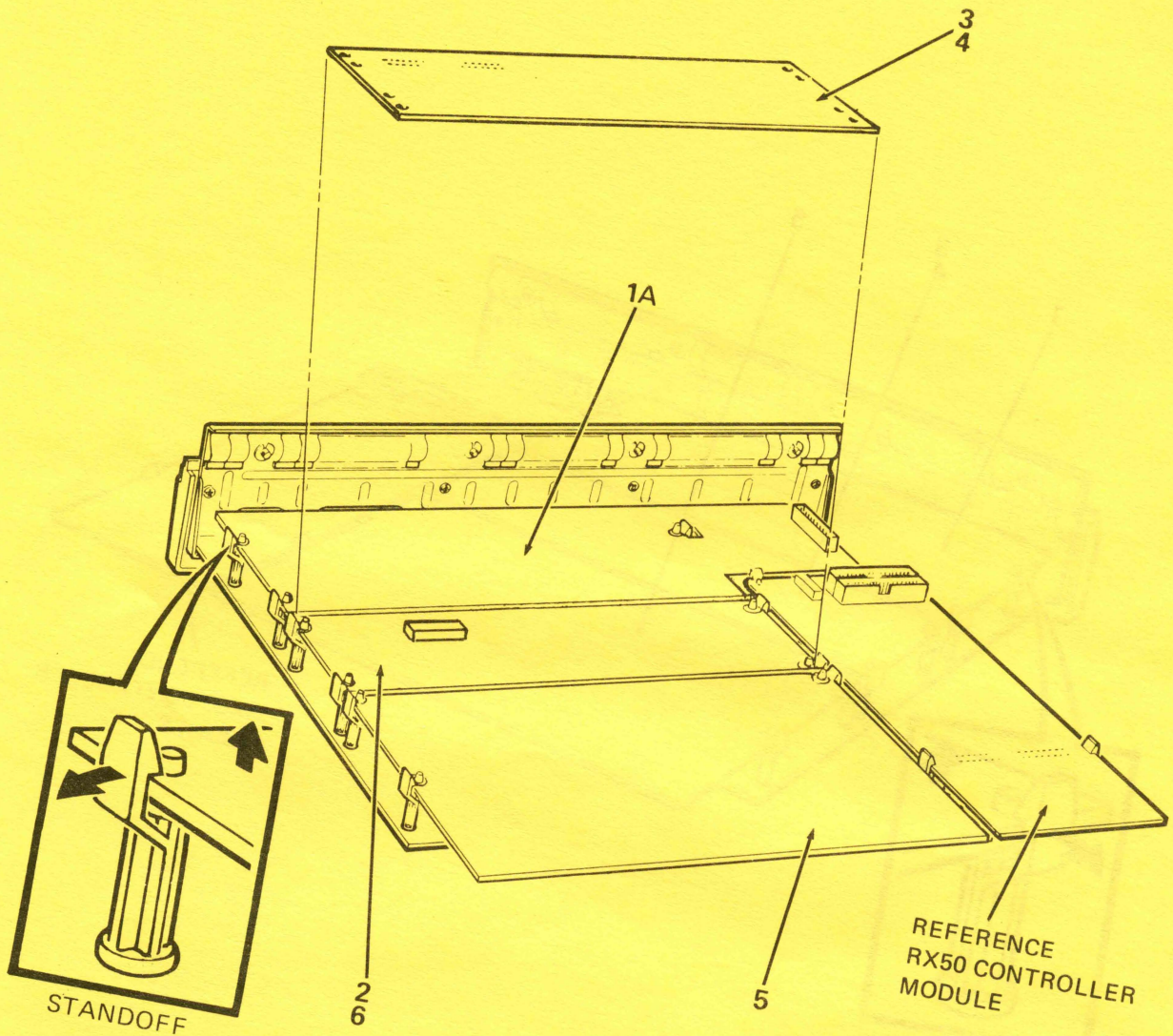
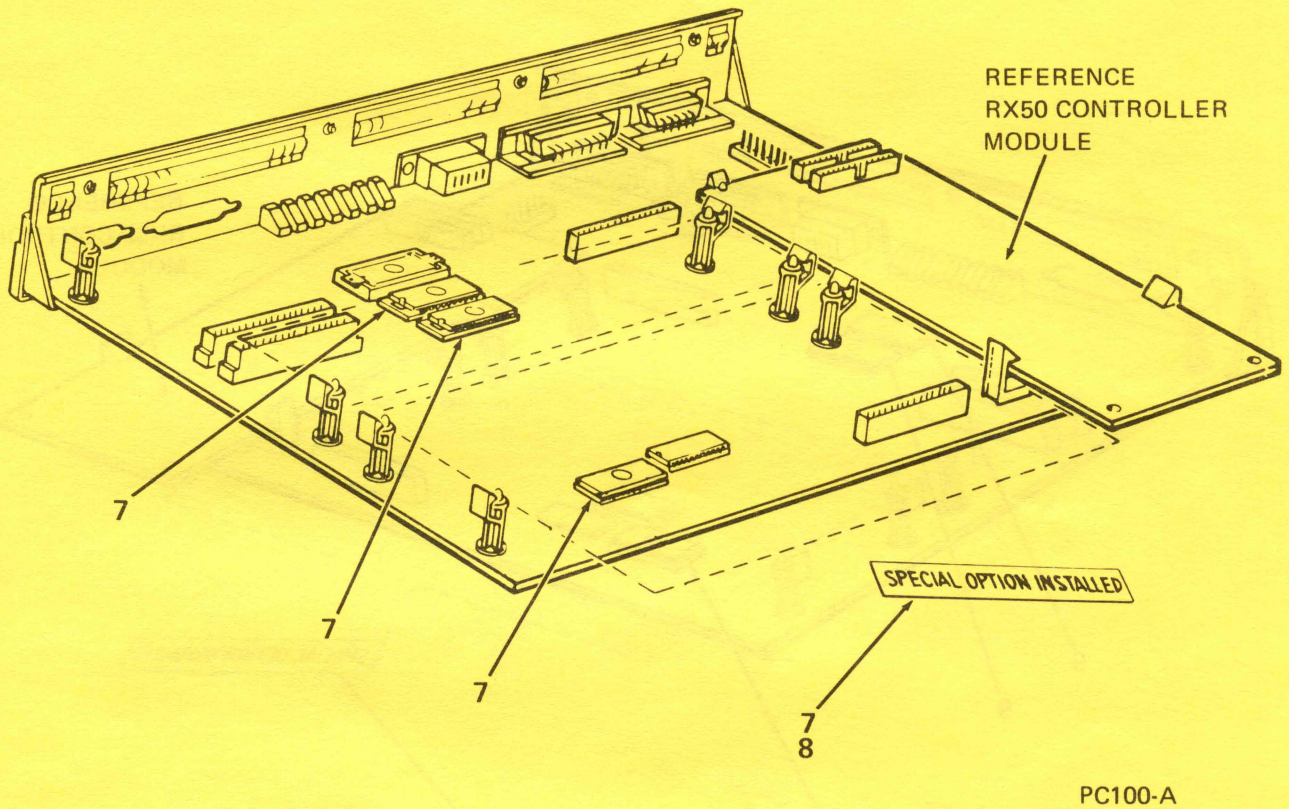


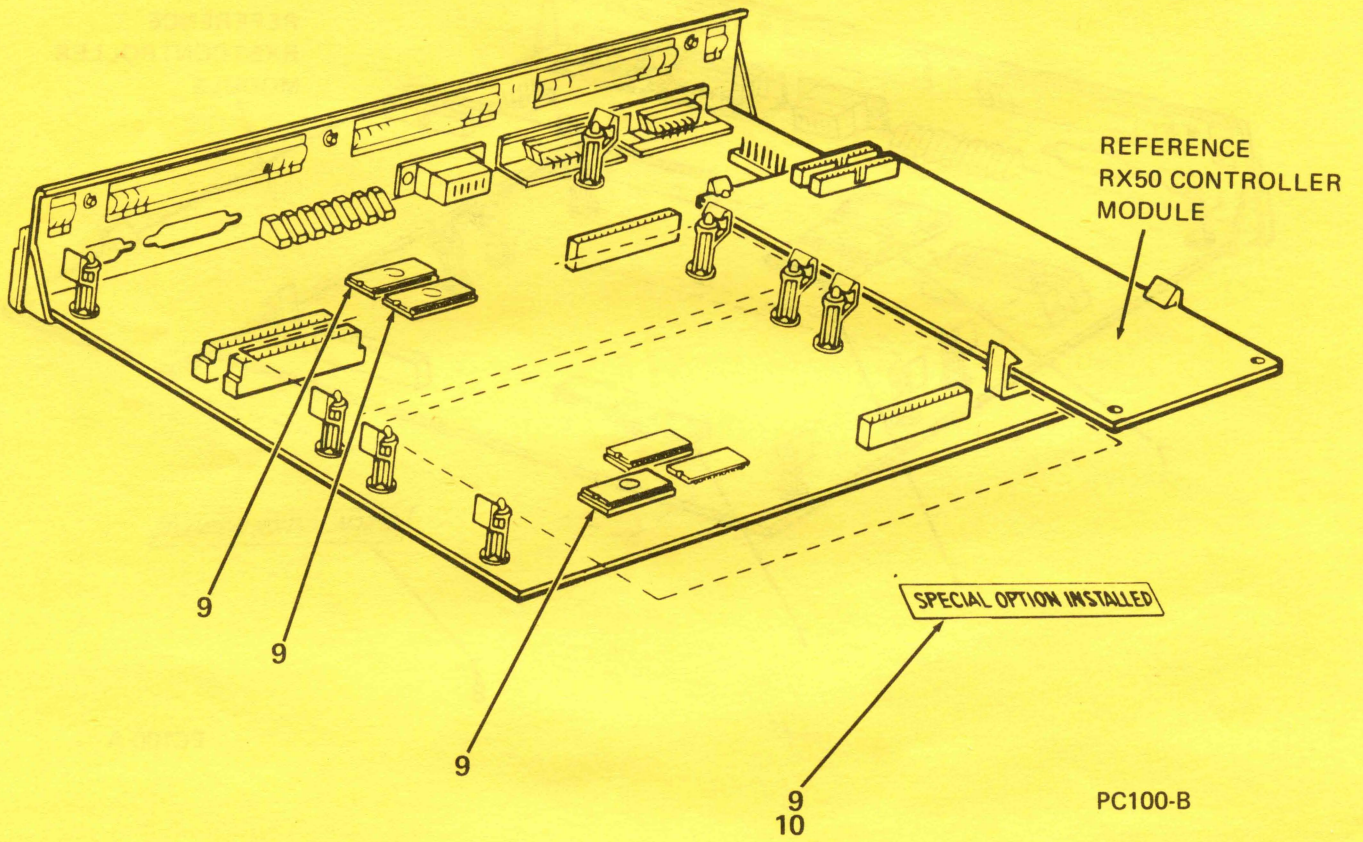
Figure 9. PC100 Options (Sheet 2 of 4)



PC100-A

PC100-09B

Figure 9. PC100 Options (Sheet 3 of 4)



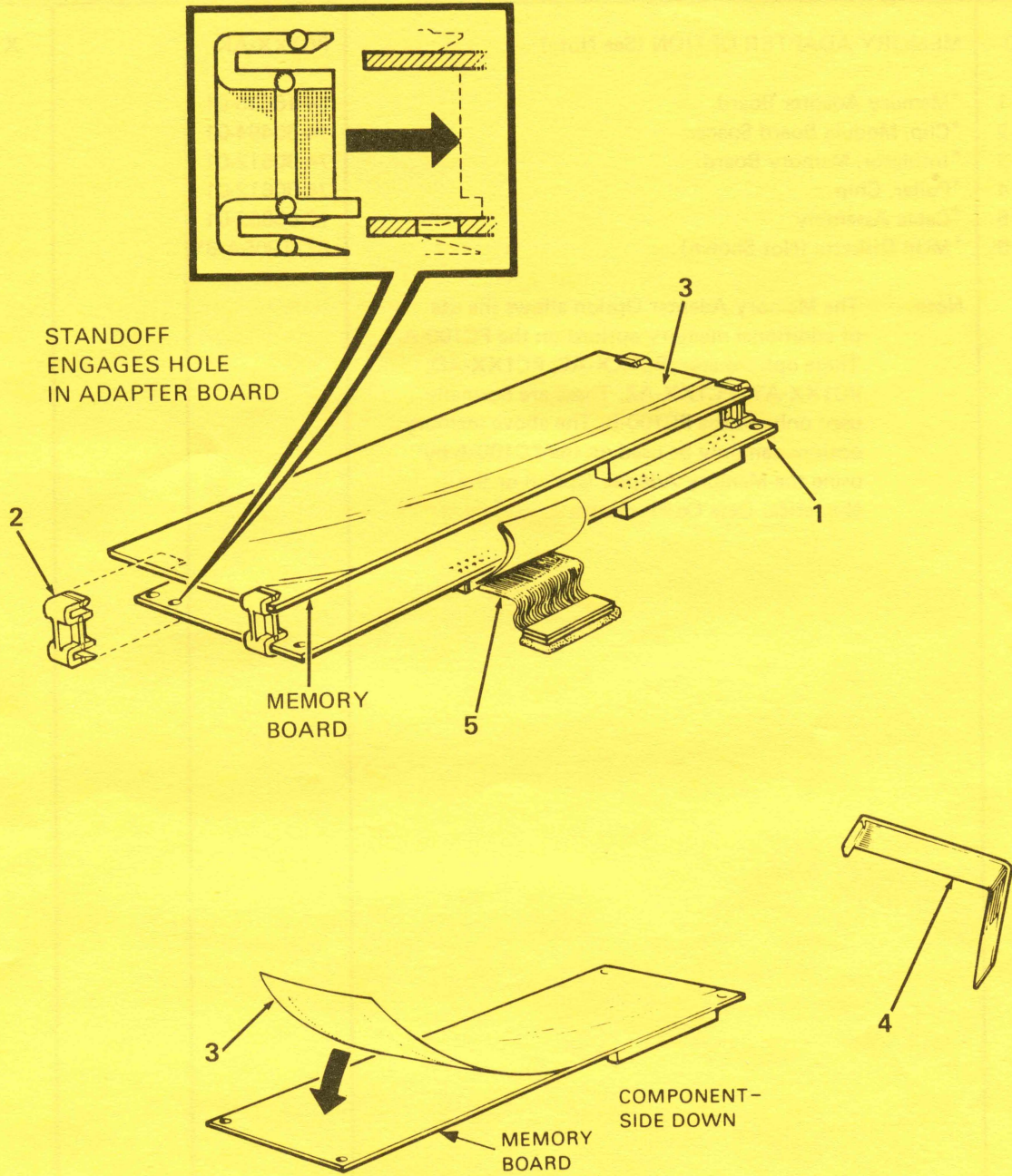
PC100-09C

Figure 9. PC100 Options (Sheet 4 of 4)

| FIG. & ITEM NO. | DESCRIPTION   | DEC PART NO.       | ECO CUT-IN | USED ON CODE | REF FIG NO. |
|-----------------|---|--------------------|------------|--------------|-------------|
| 9-              | PC100 OPTIONS<br>Code X - Used on Models PC100-A, PC100-A1<br>Code Y - Used on Models PC100-B2, PC100-B3,<br>PC100-B4, PC100-B5, PC100-B6, PC100-B7   | PC100-A<br>PC100-B |            | X<br>Y       |             |
| 1               | *EXTENDED COMMUNICATION OPTION  | PC1XX-BB           |            |              | 12          |
| 1A              | *PC100-A WINCHESTER DISK OPTION   | _____              |            |              | 13          |
|                 | *PC100-B WINCHESTER DISK OPTION   | _____              |            |              | 14          |
| 2               | *MEMORY ADAPTER OPTION (See Note 1)   | PC1XX-AK           |            | X            | 10          |
| X- 3            | *64K Memory Board   | PC1XX-AA           |            | X            |             |
| X- 3            | *192K Memory Board  | PC1XX-AB           |            | X            |             |
| X- 3            | *128K Memory Board  | PC1XX-AC           |            | Y            |             |
| X- 3            | *256K Memory Board  | PC1XX-AD           |            | Y            |             |
| 4               | *64K Add-on Memory Chips  | PC1XX-AY           |            | Y            |             |
|                 | *256K Add-on Memory Chips   | PC1XX-AZ           |            | Y            |             |
| 5               | *COLOR GRAPHICS OPTION  | PC1XX-BA           |            |              | 15          |
| 6               | *NUMERICAL DATA CO-PROCESSOR (8087)<br>(See Note 2)   | PC1XX-EA           |            |              | 11          |
| 7               | *TECHNICAL CHARACTER SET  | PC1XX-FA           |            | X            |             |
| 8               | **Label, "Special Option Installed"   | 36-23792-01        |            |              |             |
| 9               | *TECHNICAL CHARACTER SET  | PC1XX-FB           |            | Y            |             |
| 10              | **Label, "Special Option Installed"   | 36-23792-01        |            |              |             |
|                 | <p>Note 1: The Memory Adapter Option allows the use of additional memory options on the PC100-A. These options are: PC1XX-AC, PC1XX-AD, PC1XX-AY, PC1XX-AZ. These are normally used only on the PC100-B. The above memory options (Items 3, 4) can only be used on the PC100-A by using the Memory Adapter Option or the Numerical Data Co-Processor (See Note 2).</p> <p>Note 2: The Numerical Data Co-Processor (NDC) can be used on either the PC100-A or PC100-B. When the NDC is installed, any Rainbow memory may be used (PC1XX-AA, PC1XX-AB, PC1XX-AC, PC1XX-AD, PC1XX-AY, PC1XX-AZ).</p> |                    |            |              |             |

X = Purchasable Parts from PSG (See Green Section)





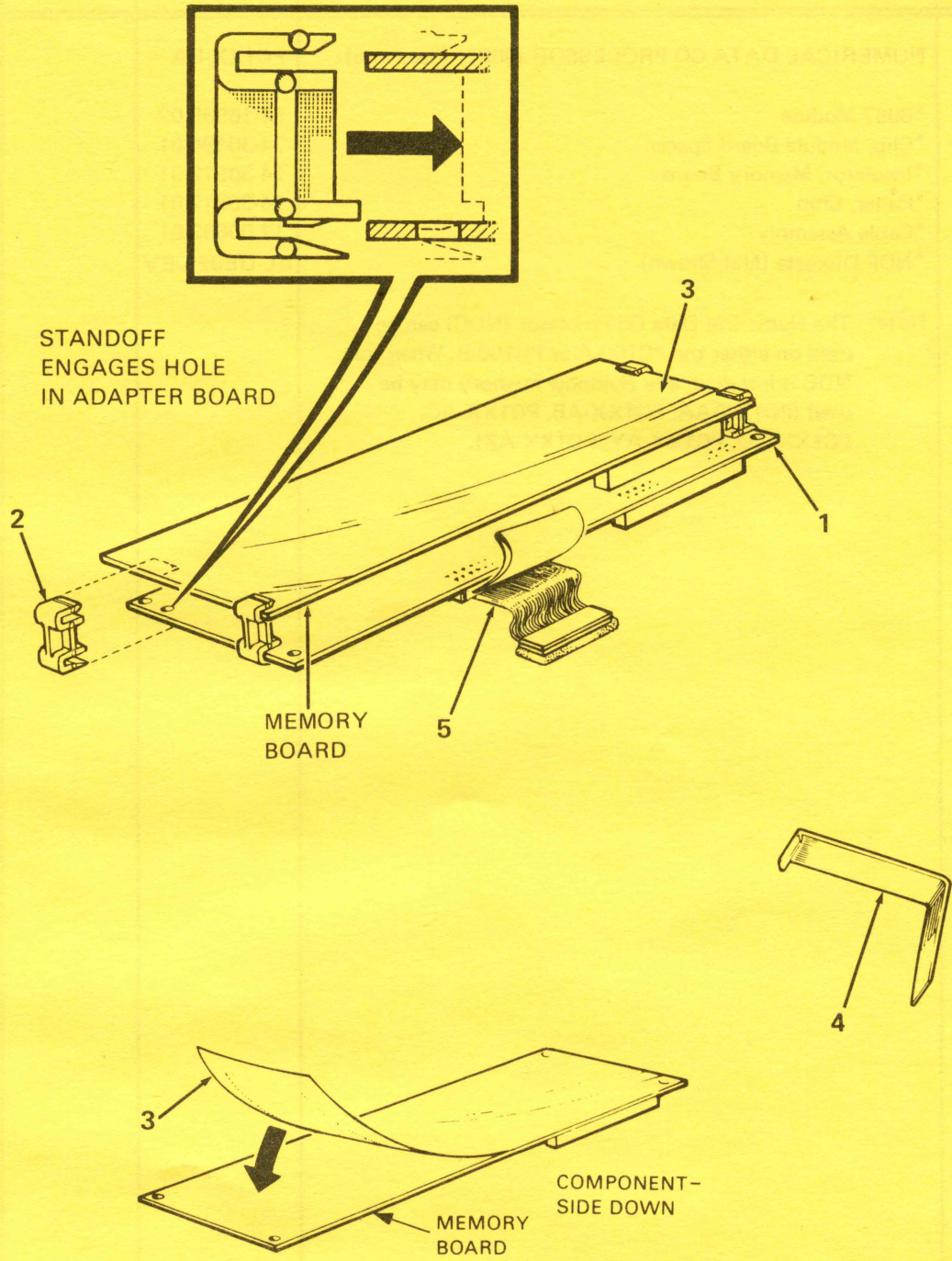
PC100-10

Figure 10. Memory Adapter Option

| FIG. & ITEM NO. | DESCRIPTION  | DEC PART NO. | ECO CUT-IN | USED ON CODE | REF FIG NO. |
|-----------------|--|--------------|------------|--------------|-------------|
| X-10-           | MEMORY ADAPTER OPTION (See Note)   | PC1XX-AK     |            | X            | 9           |
| 1               | *Memory Adapter Board  | 54-16535-01  |            |              |             |
| 2               | *Clip, Module Board Spacer   | 74-30494-01  |            |              |             |
| 3               | *Insulator, Memory Board   | 74-30512-01  |            |              |             |
| 4               | *Puller, Chip  | 74-30612-01  |            |              |             |
| 5               | *Cable Assembly  | 17-00662-01  |            |              |             |
| 6               | *MUP Diskette (Not Shown)  | BL-T905A-BV  |            |              |             |
|                 | <p>Note: The Memory Adapter Option allows the use of additional memory options on the PC100-A. These options are: PC1XX-AC, PC1XX-AD, PC1XX-AY, PC1XX-AZ. These are normally used only on the PC100-B. The above memory options can only be used on the PC100-A by using the Memory Adapter Option or the Numerical Data Co-Processor.</p> |              |            |              |             |

X = Purchasable Parts from PSG (See Green Section)



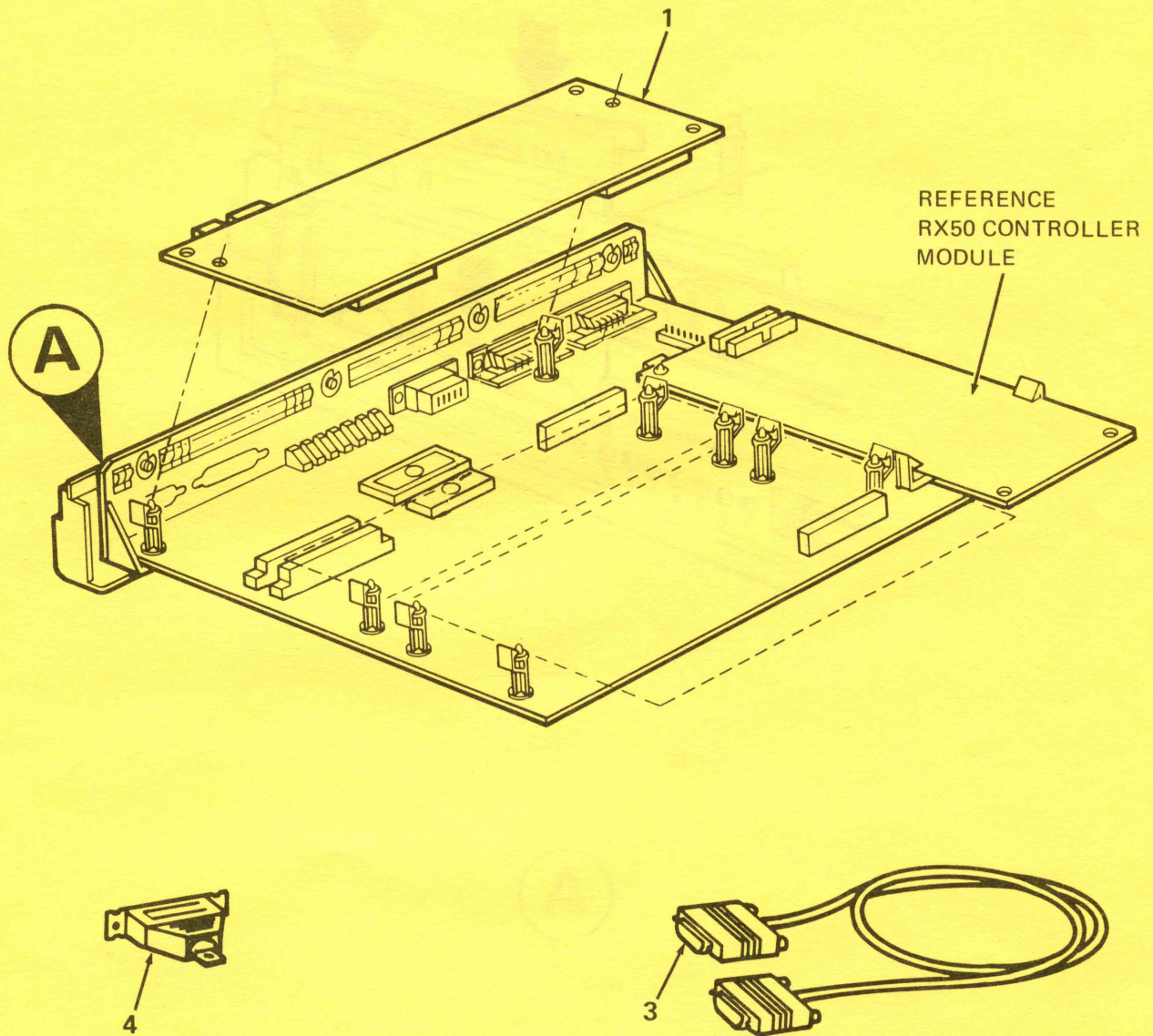


PC100-11

Figure 11. Numerical Data Co-Processor

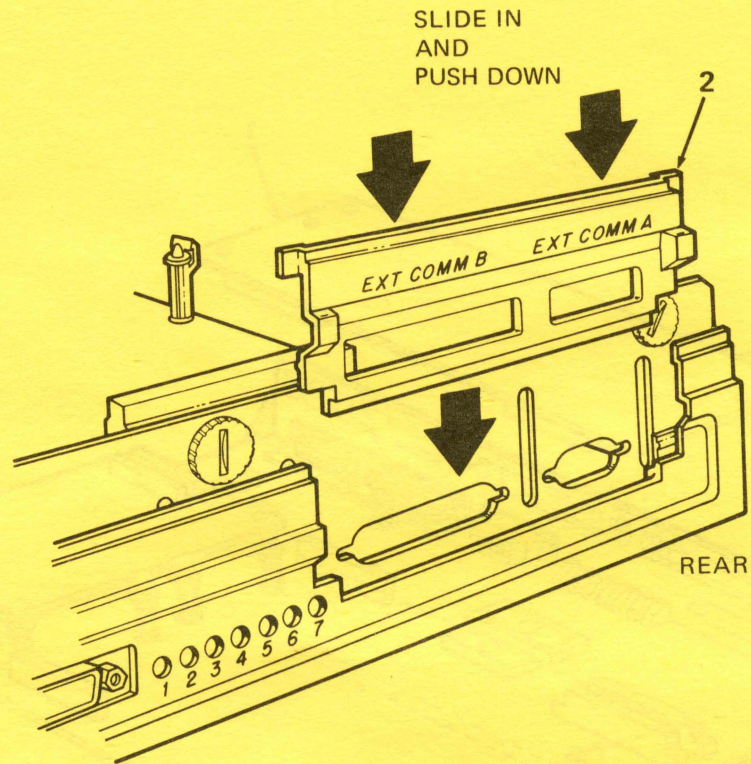
| FIG. & ITEM NO. | DESCRIPTION  | DEC PART NO. | ECO CUT-IN | USED ON CODE | REF FIG NO. |
|-----------------|--|--------------|------------|--------------|-------------|
| 11-             | NUMERICAL DATA CO-PROCESSOR (8087) (See Note)  | PC1XX-EA     |            |              | 9           |
| - 1             | *8087 Module   | 54-16535-02  |            |              |             |
| 2               | *Clip, Module Board Spacer   | 74-30494-01  |            |              |             |
| 3               | *Insulator, Memory Board   | 74-30512-01  |            |              |             |
| 4               | *Puller, Chip  | 74-30612-01  |            |              |             |
| 5               | *Cable Assembly  | 17-00662-01  |            |              |             |
| 6               | *NDP Diskette (Not Shown)  | BL-DE92A-BV  |            |              |             |
|                 | <p>Note: The Numerical Data Co-Processor (NDC) can be used on either the PC100-A or PC100-B. When the NDC is installed, any Rainbow memory may be used (PC1XX-AA, PC1XX-AB, PC1XX-AC, PC1XX-AD, PC1XX-AY, PC1XX-AZ).</p> |              |            |              |             |

X = Purchasable Parts from PSG (See Green Section)



PC100-12

Figure 12. Extended Communication Option (Sheet 1 of 2)



A

PC100-12A

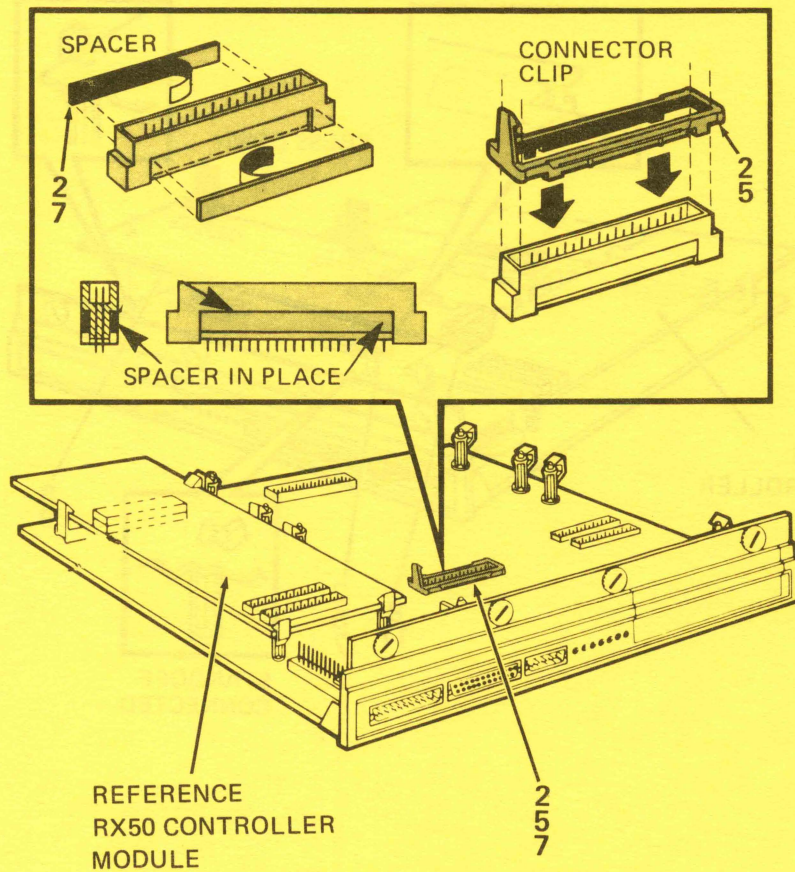
Figure 12. Extended Communication Option (Sheet 2 of 2)

| FIG. & ITEM NO. | DESCRIPTION                           | DEC PART NO. | ECO CUT-IN | USED ON CODE | REF FIG NO. |
|-----------------|---------------------------------------|--------------|------------|--------------|-------------|
| 12-             | EXTENDED COMMUNICATION OPTION         | PC1XX-BB     |            |              | 9           |
| X- 1            | *Extended Communication Option Module | 54-15703-01  |            |              |             |
| 2               | *Plate, Option                        | 74-27175-01  |            |              |             |
| 3               | *Modem Cable                          | BCC15        |            |              |             |
| X- 4            | *Plug, Loopback                       | 12-15336-04  |            |              |             |
| 5               | *Option Test Diskette (Not Shown)     | BL-V174A-MV  |            |              |             |

X = Purchasable Parts from PSG (See Green Section)

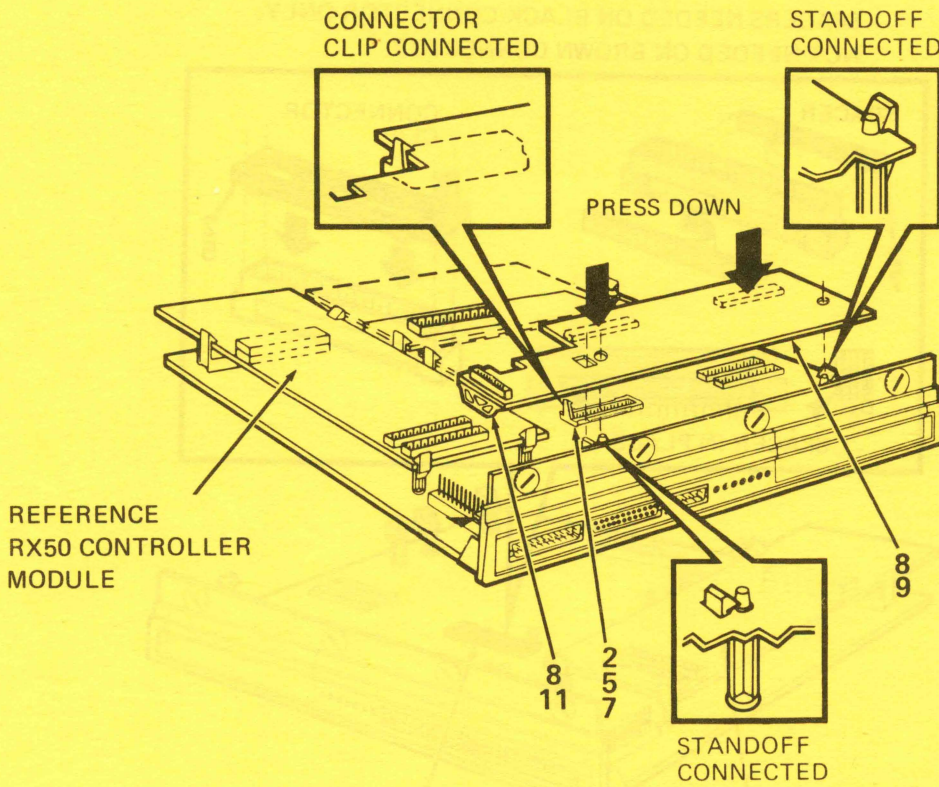


SPACERS NEEDED ON BLACK CONNECTOR ONLY;  
NOT NEEDED ON BROWN CONNECTOR.



PC100-13

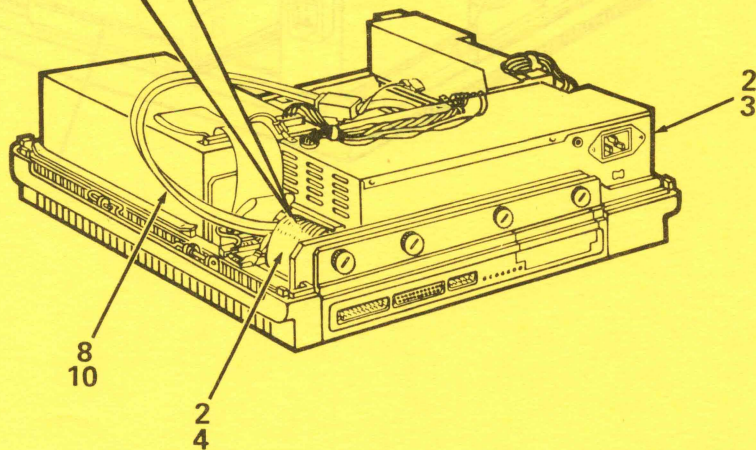
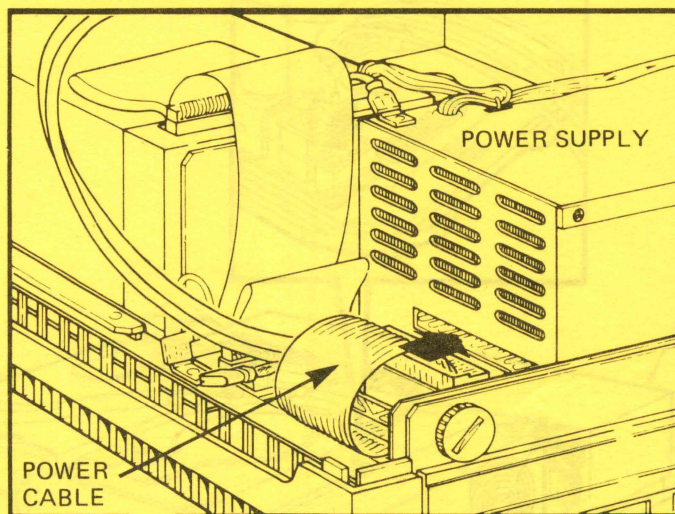
Figure 13. PC100-A Winchester Disk Option (Sheet 1 of 4)



PC100-13A

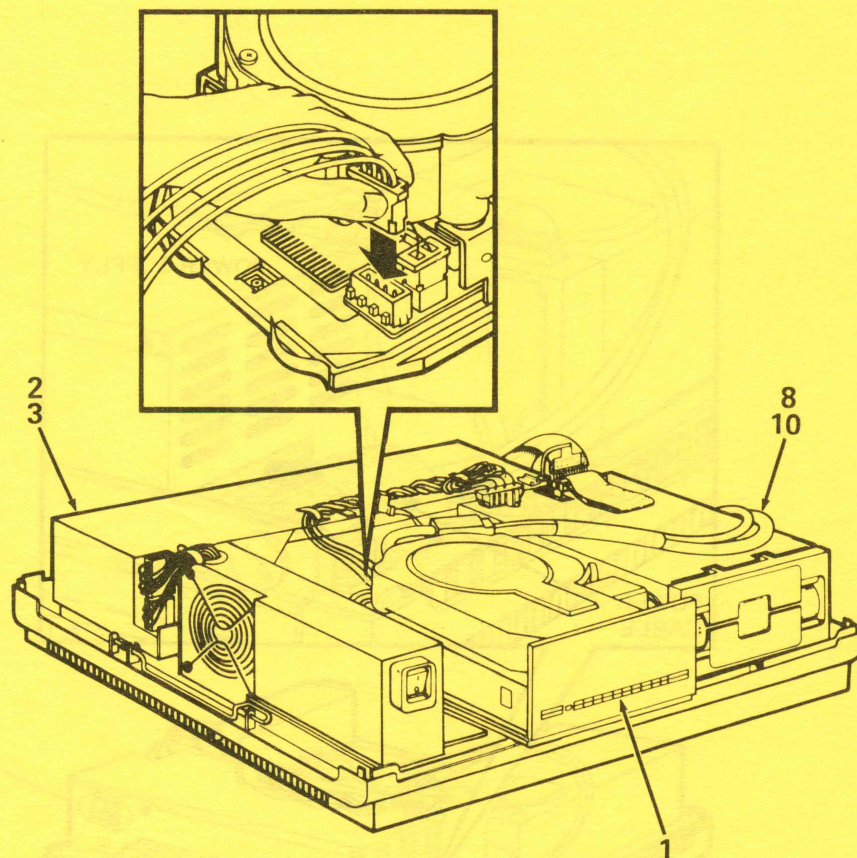
Figure 13. PC100-A Winchester Disk Option (Sheet 2 of 4)





PC100-13B

Figure 13. PC100-A Winchester Disk Option (Sheet 3 of 4)



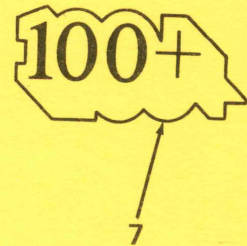
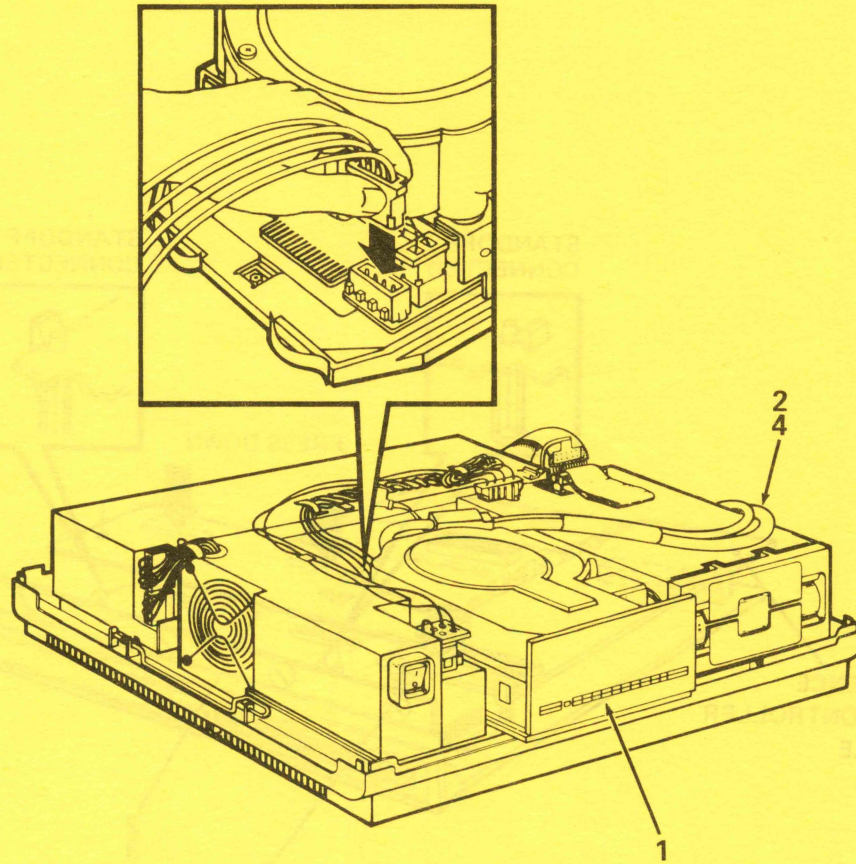
PC100-13C

Figure 13. PC100-A Winchester Disk Option (Sheet 4 of 4)

| FIG. & ITEM NO. | DESCRIPTION                       | DEC PART NO. | ECO CUT-IN | USED ON CODE | REF FIG NO. |
|-----------------|-----------------------------------|--------------|------------|--------------|-------------|
| 13              | PC100-A WINCHESTER DISK OPTION    | _____        |            | X            | 9           |
| 1               | *RD50 5 MByte Disk Drive          | RD50         |            |              |             |
|                 | *RD51 10 MByte Disk Drive         | RD51         |            |              |             |
| 2               | *UPGRADE KIT                      | PC1XX-UA     |            |              |             |
| 3               | **H7842 Power Supply              | H7842-D      |            |              |             |
| 4               | **Power Cable (4 inches)          | 17-00318-02  |            |              |             |
| 5               | **Clip, Connector                 | 74-28702-02  |            |              |             |
| 6               | **Diagnostic Diskette (Not Shown) | BL-W968A-MJ  |            |              |             |
| 7               | **Spacer                          | 74-29790-01  |            |              |             |
| 8               | *CONTROLLER ASSEMBLY              | PC1XX-DA     |            |              |             |
| X- 9            | **Controller Module               | 54-16019-00  |            |              |             |
| 10              | **Cable, Controller to Drive      | 17-00427-01  |            |              |             |
| 11              | **Standoff                        | 74-29164-01  |            |              |             |

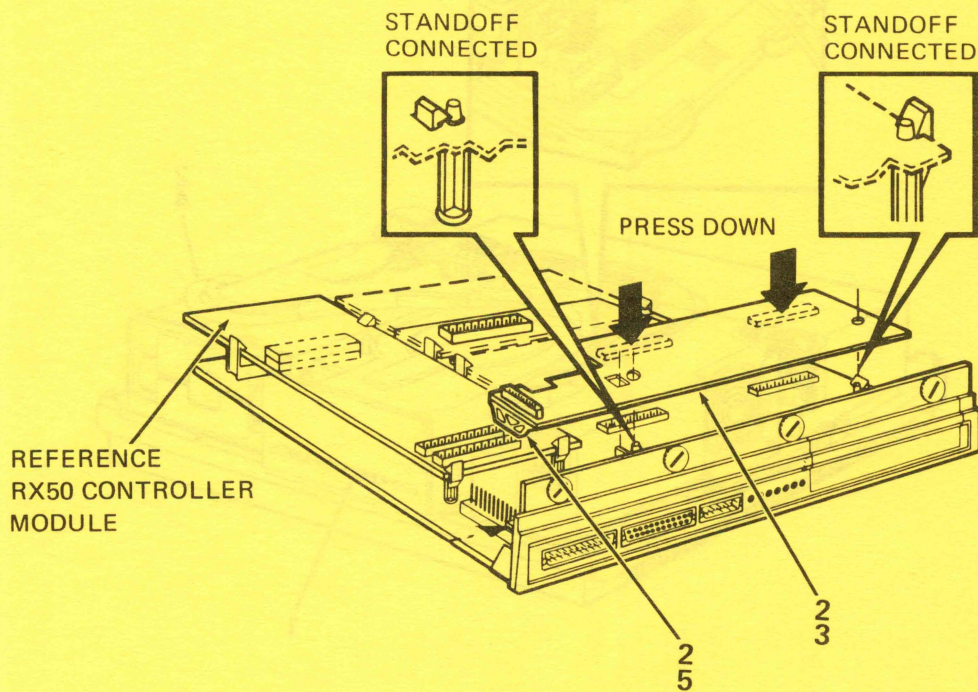
X = Purchasable Parts from PSG (See Green Section)





PC100-14

Figure 14. PC100-B Winchester Disk Option (Sheet 1 of 2)



PC100-14A

Figure 14. PC100-B Winchester Disk Option (Sheet 2 of 2)

| FIG. & ITEM NO. | DESCRIPTION                       | DEC PART NO. | ECO CUT-IN | USED ON CODE | REF FIG NO. |
|-----------------|-----------------------------------|--------------|------------|--------------|-------------|
| 14-             | PC100-B WINCHESTER DISK OPTION    | _____        |            | Y            | 9           |
| 1               | *RD50 5 MByte Disk Drive          | RD50         |            |              |             |
|                 | *RD51 10 MByte Disk Drive         | RD51         |            |              |             |
| 2               | *CONTROLLER ASSEMBLY              | PC1XX-DA     |            |              |             |
| 3               | **Controller Module               | 54-16019-00  |            |              |             |
| 4               | **Cable, Controller to Drive      | 17-00427-01  |            |              |             |
| 5               | **Standoff                        | 74-29164-01  |            |              |             |
| 6               | **Diagnostic Diskette (Not Shown) | BL-W968A-MJ  |            |              |             |
| 7               | *Label, "100+"                    | 36-22267-01  |            |              |             |

X = Purchasable Parts from PSG (See Green Section)

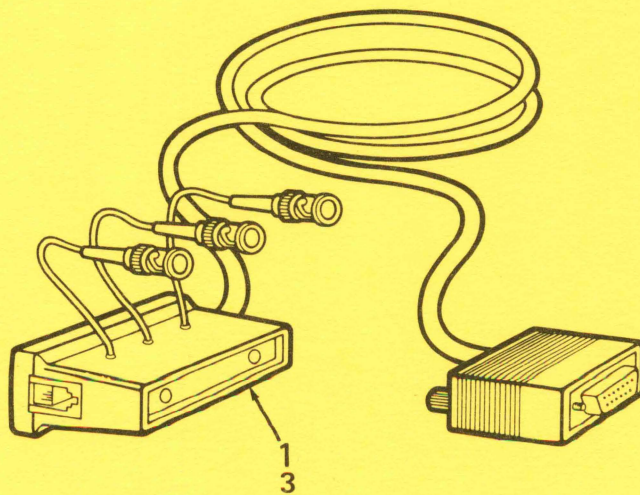
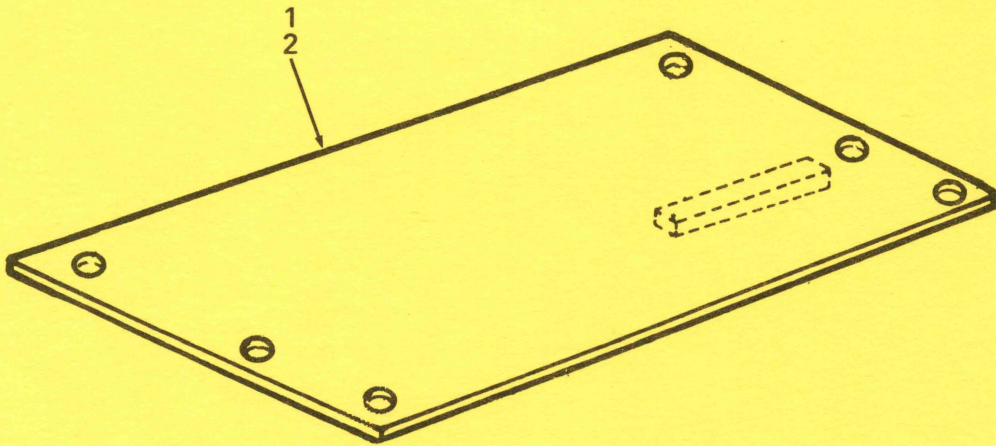




| FIG. & ITEM NO. | DESCRIPTION                     | DEC PART NO. | ECO CUT-IN | USED ON CODE | REF FIG NO. |
|-----------------|---------------------------------|--------------|------------|--------------|-------------|
| 15-             | COLOR GRAPHICS OPTION           | PC1XX-BA     |            |              | 9           |
| 1               | *COLOR GRAPHICS OPTION HARDWARE | PC1XX-BC     |            |              |             |
| X- 2            | **Color Graphics Option Module  | 54-15688-01  |            |              |             |
| 3               | **Cable, Color Video (BCC17)    | 17-00284-02  |            |              |             |



X = Purchasable Parts from PSG (See Green Section)



PC100-15

Figure 15. Color Graphics Option



# ILLUSTRATED PARTS BREAKDOWN COMMENT SHEET

Any and all comments and suggestions for correcting errors and/or additional information to improve this manual will be reviewed and researched for possible use when this manual is revised and/or reprinted. Enter your comments and suggestions in the form provided below and return to Technical Documentation.

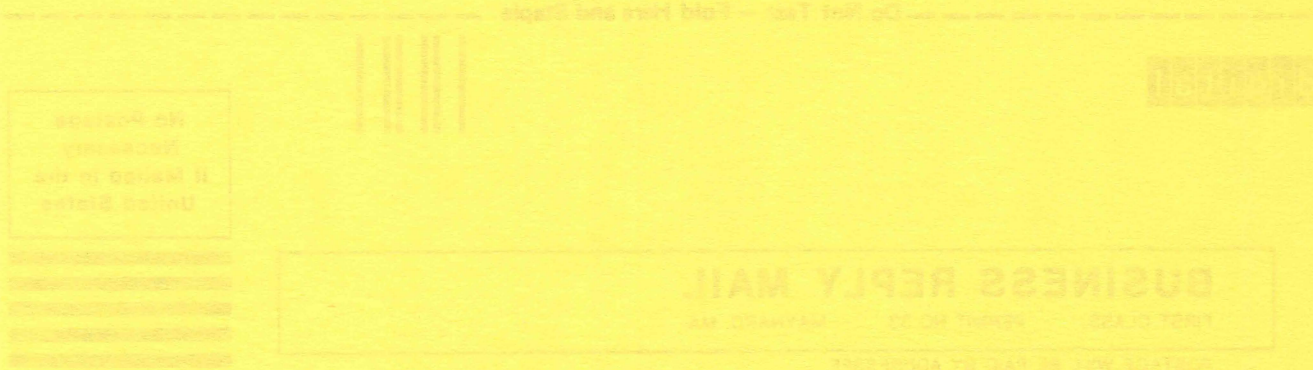
MODEL PC100 RAINBOW 100 SYSTEM UNIT PUBLICATION NO. EK-SB100-IP-003

FIGURE NO. \_\_\_\_\_ ITEM NO. \_\_\_\_\_ FIGURE NO. \_\_\_\_\_ ITEM NO. \_\_\_\_\_  
CHANGE FROM \_\_\_\_\_ CHANGE FROM \_\_\_\_\_  
CHANGE TO \_\_\_\_\_ CHANGE TO \_\_\_\_\_

FIGURE NO. \_\_\_\_\_ ITEM NO. \_\_\_\_\_ FIGURE NO. \_\_\_\_\_ ITEM NO. \_\_\_\_\_  
CHANGE FROM \_\_\_\_\_ CHANGE FROM \_\_\_\_\_  
CHANGE TO \_\_\_\_\_ CHANGE TO \_\_\_\_\_

FIGURE NO. \_\_\_\_\_ ITEM NO. \_\_\_\_\_ FIGURE NO. \_\_\_\_\_ ITEM NO. \_\_\_\_\_  
CHANGE FROM \_\_\_\_\_ CHANGE FROM \_\_\_\_\_  
CHANGE TO \_\_\_\_\_ CHANGE TO \_\_\_\_\_

ADDITIONAL COMMENT(S)



Please describe your position. \_\_\_\_\_  
Name \_\_\_\_\_ Organization \_\_\_\_\_  
Street \_\_\_\_\_ Department \_\_\_\_\_  
City \_\_\_\_\_ State \_\_\_\_\_ Zip or Country \_\_\_\_\_

ILLUSTRATED PARTS BREAKDOWN  
COMMENT SHEET

And for all comments, and suggestions for correction, errors and/or additional information, it is requested that you  
will be reviewed and corrected for possible use when this manual is revised and reprinted. Enter your comments  
and suggestions in the form provided below and refer to Technical Documentation.

PERIOD

MODEL RANGE/ISSUE SYSTEM UNIT PUBLICATION NO. EX-8818014-001

Fold Here

CHANGE FROM

CHANGE TO

FIGURE NO. ITEM NO. FIGURE NO. ITEM NO.

CHANGE FROM

CHANGE TO

FIGURE NO. ITEM NO. FIGURE NO. ITEM NO.

CHANGE FROM

CHANGE TO

ADDITIONAL COMMENTS

Do Not Tear - Fold Here and Staple

digital

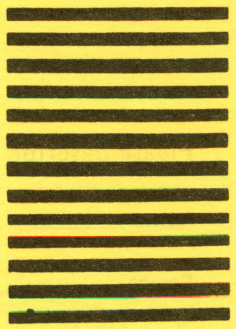


No Postage  
Necessary  
if Mailed in the  
United States

**BUSINESS REPLY MAIL**  
FIRST CLASS PERMIT NO. 33 MAYNARD, MA.

POSTAGE WILL BE PAID BY ADDRESSEE

Digital Equipment Corporation  
Educational Services  
129 Parker Street, PKO3-2/H31  
Maynard, MA 01754



PURCHASABLE  
PARTS  
LIST

PC100



Purchasable Part (X) is a part which is available from the manufacturing source and may be purchased from Digital's Peripherals Supplies Group (PSG).

Many lower level assemblies and components are provided for self-maintenance.

Other parts may not be available because of the manufacturing process and/or testing capabilities. In these cases refer to the IPB for the appropriate assembly which contains the unavailable part.

How To Order:

Direct-To-Factory by Phone or by Mail  
Toll Free Telephone Ordering

Continental U.S. and Puerto Rico  
Call 800-258-1710 (8:30 a.m. to 6:00 p.m. ET)

Alaska, Hawaii and New Hampshire  
Call 603-884-6660 (8:30 a.m. to 6:00 p.m. ET)

International see page A-5

Direct Mail Ordering Purchase Orders Should Be Mailed To:

U.S. Customers  
Digital Equipment Corporation  
P.O. Box CS2008  
Nashua, NH 03061

International Customers  
Digital Equipment Corporation  
PSG Business Manager  
c.o. Digital's local subsidiary  
See page A-5

PURCHASABLE PARTS LIST  
section II





SELF-MAINTENANCE  
PURCHASABLE PARTS LIST

| <u>TABLE OF CONTENTS</u>                   | <u>PAGE</u>    |
|--|----------------|
| How to Order .....                         | Preceding Page |
| Recommended Spare Parts List .....         | B-1            |
| Spares Kits .....                          | B-2            |
| Cables .....                               | B-3            |
| Options .....                              | B-3            |
| Tools .....                                | B-4            |
| Maintenance Documentation .....            | B-4            |
| Digital Support Services .....             | B-5            |
| Digital Repairs and Customer Returns ..... | B-6            |
| Listing of International Offices .....     | B-7            |





CATEGORY - RECOMMENDED SPARES PARTS LIST

The following is a list of loose piece spare parts which provide a 98% Level of Service (LOS).

To obtain information regarding spares supported by Digital's Installed Base Group, contact your Digital representative for a Maintenance Products Recommendation (MPR). The MPR provides specific Level of Service (LOS) offerings (i.e., 98%, 95%, 90%, 80%, 70%) and is subdivided by categories as follows:

- o Recommended Spare Parts (Modules/Subassemblies)
- o Components (I.C.s, Transistors, etc.)
- o Tools and Test Equipment
- o Preventive Maintenance Parts
- o Hardware Documentation
- o Supplies (Printer ribbons, Magnetic media, etc.)

| NO. | PKG QTY | PART NUMBER | DESCRIPTION                       | VISUAL REFERENCE<br>SEE IPB |          | COMMENTS     |
|-----|---------|-------------|-----------------------------------|-----------------------------|----------|--------------|
|     |         |             |                                   | FIGURE NO.                  | ITEM NO. |              |
| 1   | 1       | H7842-D     | SMALL SYSTEM UNIT POWER SUPPLY    | N/S                         | N/S      |              |
| 2   | 1       | SRX50-AA    | RX50-AA SPARE DRIVE               | 2                           | 6        |              |
| 3   | 1       | 12-11358-00 | CONN, D SUB 25 POS ASSY RT. ANG   | N/S                         | N/S      | PC100-A ONLY |
| 4   | 1       | 12-13185-03 | FAN, 70 CFM, 115V, TUBE AXIAL LOW | 5                           | 2        | PC100-A ONLY |
| 5   | 1       | 12-14415-03 | FUSE, REG BLOW, 500, 250V         | N/S                         | N/S      |              |
| 6   | 1       | 12-17051-04 | SW, RKR 2PST ON-NONE-OFF          | 5                           | 7        |              |
| 7   | 1       | 12-19857-01 | STANDOFF, NYLON X, 750 LG         | 3                           | 11       | PC100-ONLY   |
| 8   | 1       | 12-19912-02 | CKT BKR 4.0 A 250V IP SERIES TRIP | 6                           | 7        |              |
| 9   | 1       | 12-19914-01 | SPRING, COMPRESSION, 1650DX1      | 4                           | 7        |              |
| 10  | 1       | 12-20113-01 | SPRING, COMPRESSION, 300DX        | 1                           | 5        |              |
| 11  | 1       | 54-15482-00 | RX50 CONTROLLER MODULE            | 1                           | 3        |              |
| 12  | 1       | 70-19505-01 | TOP ENCLOSURE ASSY                | 2,2A                        | 11,9     |              |
| 13  | 1       | 70-19573-00 | BOTTOM ENCLOSURE ASSY             | 2,2A                        | 1,1      |              |
| 14  | 1       | 70-19730-00 | FLOPPY DRIVE HARNESS              | 6                           | 14       |              |
| 15  | 1       | 70-19941-00 | CONN. PANEL ASSY                  | 3                           | 4        |              |
| 16  | 1       | 70-19974-00 | CPU ASSY, RAINBOW 100             | 1                           | 2        | PC100-A ONLY |
| 17  | 1       | 70-19974-02 | CPU ASSY, RAINBOW 100B LONG CLI   | 1A                          | 2        | PC100-B ONLY |
| 18  | 1       | 70-20816-01 | FAN ASSEMBLY                      | 2A                          | 4        | PC100-B ONLY |
| 19  | 1       | 74-26242-01 | LATCH, WIRE, RIGHT                | 4                           | 2        |              |
| 20  | 1       | 74-26246-01 | BEZEL, SWITCH                     | 5                           | 8        |              |
| 21  | 1       | 74-26537-01 | HANDLE, LATCH WIRE                | 4                           | 4        |              |
| 22  | 1       | 90-08525-00 | BUMPER, ROUND ADH BACK RUBBER     | 4                           | 9        |              |

N/S = NOT SHOWN

025

CATEGORY - SPARES KIT

Spares kits have been designed to support many of the popular Digital hardware devices and provide an economical and efficient means of sparing for self-maintenance customers. The kit approach to purchasing spare parts hardware has several advantages.

Spares kits are engineer designed to:

- o Contain the right mix and quantity of parts required for initial inventory.
- o Provide up to 90% Level of Service (LOS).
- o Supply parts for up to ten devices for a period of up to one year.

Spares kits provide a cost effective method of:

- o Obtaining initial spares with confidence.
- o Realizing savings of kits versus loose piece purchases.
- o Providing a portable on-site inventory for fast repair by swapping the defective part.

In addition, normal delivery for spares kits is off-the-shelf. Current delivery status may be obtained through your local Digital sales office.

PC100-A SPARES KIT  
ORDERING PART NUMBER 4A-PC100-00

Spares kit contents:

| NO. | PKG QTY | PART NUMBER | DESCRIPTION                            | VISUAL REFERENCE SEE IPB |          | COMMENTS   |
|-----|---------|-------------|--|--------------------------|----------|------------|
|     |         |             |  | FIGURE NO.               | ITEM NO. |            |
| 1   | 1       | H7842-D     | SMALL SYS UNIT POW SUPPLY              | 2, 2A, 6A                | 7, 6     |            |
| 2   | 1       | SRX50-AA    | RX50-AA SPARE DRIVE                    | 1, 2, 2A                 | 7, 6, 5  | SEE NOTE 1 |
| 3   | 1       | 12-13185-03 | FAN, TUBE AXIAL 4.5" 70 CFM 115 VAC 50 | 5                        | 2        |            |
| 4   | 1       | 12-17051-04 | SW, RKR, LT 2PST ON-NONE-OFF 16A250V   | 5                        | 7        |            |
| 5   | 1       | 54-15482-00 | PC100 RX50 CONTROLLER                  | 1                        | 3        |            |
| 6   | 1       | 70-19974-00 | CPU ASSY, RAINBOW 100                  | 1, 3                     | 2        |            |

N/S = Not Shown

NOTE 1 = Ordering part number differs from basic part number.

025

PC100-B2 SPARES KIT  
ORDERING PART NUMBER 4A-PC100-B2

Spares kit contents:

| NO. | PKG QTY | PART NUMBER | DESCRIPTION                  | VISUAL REFERENCE SEE IPB |          | COMMENTS   |
|-----|---------|-------------|------------------------------|--------------------------|----------|------------|
|     |         |             |                              | FIGURE NO.               | ITEM NO. |            |
| 1   | 1       | H7842-D     | SMALL SYS UNIT POW SUPPLY    | 2,2A                     | 7,6      | SEE NOTE 1 |
| 2   | 1       | SRX50-AA    | RX50-AA SPARE DRIVE          | 1,2,2A                   | 7,6,5    |            |
| 3   | 1       | 12-17051-04 | SW, RKR 2-ST ON-NONE-OFF     | 5                        | 7        |            |
| 4   | 1       | 54-15482-00 | PC100 RX50 CONTROLLER        | 1                        | 3        |            |
| 5   | 1       | 70-19974-02 | CPU ASSY, RAIN 100B LANG CL1 | 1A                       | 2        |            |
| 6   | 1       | 70-20816-01 | FAN ASSEMBLY                 | 2A,7                     | 4        |            |

N/S = Not Shown

NOTE 1 = Ordering part number differs from basic part number.

CATEGORY - CABLES

| NO. | PKG QTY | PART NUMBER | DESCRIPTION                              | VISUAL REFERENCE SEE IPB |          | COMMENTS |
|-----|---------|-------------|--|--------------------------|----------|----------|
|     |         |             |  | FIG NO.                  | ITEM NO. |          |
| 1   | 1       | 17-00283-00 | VIDEO CABLE ASSEMBLY (6 FT.)             | 1,1A                     | 6,6      |          |
| 2   | 1       | 17-00317-04 | CABLE ASSEMBLY 34 COND SHIELDED          | N/S                      | N/S      |          |
| 3   | 1       | 17-00318-02 | MOTHERBOARD POWER CABLE ASSEMBLY (4 IN.) | 2                        | 8        |          |
| 4   | 1       | 17-00402-01 | CABLE ASSEMBLY (10 FT.)                  | 1,1A                     | 9,8      |          |

N/S = Not Shown

CATEGORY - OPTIONS

| NO. | PKG QTY | PART NUMBER | DESCRIPTION                          | VISUAL REFERENCE SEE IPB |          | COMMENTS        |
|-----|---------|-------------|--------------------------------------|--------------------------|----------|-----------------|
|     |         |             |                                      | FIGURE NO.               | ITEM NO. |                 |
| 1   | 1       | 4A-PC1XX-AA | 64K MEMORY OPTION                    | 9                        | 3        |                 |
| 2   | 1       | 4A-PC1XX-AB | 192K MEMORY OPTION                   | 9                        | 3        |                 |
| 3   | 1       | 4A-PC1XX-AC | 256KB MEMORY OPTION                  | 9                        | 3        |                 |
| 4   | 1       | 4A-PC1XX-AD | 256KB MEMORY OPTION                  | 9                        | 3        |                 |
| 5   | 1       | 4A-LK201-AA | KEYBOARD ASSY, USA/CANADA            | N/S                      | N/S      |                 |
| 6   | 1       | 4A-LK201-AE | KEYBOARD ASSY, UK LEGENDS            | N/S                      | N/S      |                 |
| 7   | 1       | 4A-LK201-AG | KEYBOARD ASSY, GERMAN LEGENDS        | N/S                      | N/S      |                 |
| 8   | 1       | 4A-LK201-AK | KEYBOARD ASSY, SWISS/FRENCH          | N/S                      | N/S      |                 |
| 9   | 1       | 4A-LK201-AP | KEYBOARD ASSY, FRENCH LEGENDS        | N/S                      | N/S      |                 |
| 10  | 1       | 54-15688-01 | PC100 GRAPHICS OPTION MODULE         | 15                       | 2        |                 |
| 11  | 1       | 54-15703-00 | EXTENDED COMMUNICATION OPTION MODULE | 12                       | 1        |                 |
| 12  | 1       | 12-15336-04 | CONNECTOR, LOOPBACK                  | 12                       | 4        | USED W/PC1XX-BB |
| 13  | 1       | 54-16019-00 | RD50/51 CONTROLLER MODULE            | 13,14                    | 9,3      |                 |

N/S - Not Shown

CATEGORY - TOOLS

| NO. | PKG QTY | PART NUMBER | DESCRIPTION                   | COMMENTS |
|-----|---------|-------------|-------------------------------|----------|
| 1   | 1       | H325        | I/O SERIAL LOOPBACK CONNECTOR |          |

CATEGORY - MAINTENANCE DOCUMENTATION

| NO. | PKG QTY | PART NUMBER | DESCRIPTION                                | COMMENTS |
|-----|---------|-------------|--|----------|
| 1   | 1       | EK-LK201-IP | LK201 KEYBOARD ILLUSTRATED PARTS BREAKDOWN |          |
| 2   | 1       | EK-P100E-IN | RAINBOW 100 INSTALLATION GUIDE             |          |
| 3   | 1       | EK-P100E-OM | RAINBOW 100 OWNERS MANUAL                  |          |
| 4   | 1       | EK-P10BR-IN | RAINBOW LANGUAGE ROM INSTALL.              |          |
| 5   | 1       | EK-PC100-PS | RAINBOW 100 POCKET SERVICE GUIDE           |          |
| 6   | 1       | EK-PC100-TM | RAINBOW 100 TECHNICAL MAN.                 |          |
| 7   | 1       | EK-PCC0L-IN | RAINBOW COLOR GRAPHICS INST.               |          |
| 8   | 1       | EK-PCL1B-IN | RAINBOW EXTENDED COMM INSTALL.             |          |
| 9   | 1       | EK-PCMXA-IN | RAINBOW MEMORY ADAPTER INSTALL.            |          |
| 10  | 1       | EK-PCMXE-IN | RAINBOW MEMORY EXTENSION INST.             |          |
| 11  | 1       | EK-PCROM-IN | RAINBOW LANGUAGE ROM INSTALL.              |          |
| 12  | 1       | EK-PCWIN-IN | RAINBOW HARD DISK INSTALL.                 |          |
| 13  | 1       | EK-R100E-IN | RAINBOW 100B INSTALLATION                  |          |
| 14  | 1       | EK-R100E-OM | RAINBOW 100B OWNERS MANUAL.                |          |
| 15  | 1       | EK-RBMEC-IN | RAINBOW 100B MEMORY INSTALL.               |          |
| 16  | 1       | EK-RBMXE-IN | RAINBOW 100B MEMORY INSTALL.               |          |
| 17  | 1       | EK-RBWIN-IN | RAINBOW 100B WINCHESTER INSTALL.           |          |
| 18  | 1       | EK-RBWIN-SV | RAINBOW 100B DISK TEST MESSAGE             |          |
| 19  | 1       | EK-RD50A-IP | RD50 HARD DISK ILLUSTRATED PARTS BREAKDOWN |          |
| 20  | 1       | EK-RD51A-IP | RD51 HARD DISK ILLUSTRATED PARTS BREAKDOWN |          |
| 21  | 1       | EK-SB100-IP | RAINBOW 100 ILLUSTRATED PARTS BREAKDOWN    |          |
| 22  | 1       | EK-V241E-PS | VR241 MONITOR POCKET SERV GDE              |          |
| 23  | 1       | EK-VR201-IP | VR201 MONITOR ILLUSTRATED PARTS BREAKDOWN  |          |
| 24  | 1       | EK-VR241-IN | VR241 MONITOR INSTALLATION                 |          |
| 25  | 1       | EK-VR241-PS | VR241 MONITOR POCKET SERV GDE              |          |

## DIGITAL SUPPORT SERVICES

### Support Services

A wide range of maintenance and customer services are available from Digital to support your Digital hardware. Depending on the type of equipment, you can select an alternative which meets your service needs; from complete Digital maintenance to complete self-maintenance.

There are four service groups which are dedicated to satisfying the post sales service needs of Digital customers. Consult the nearest U.S. Digital sales office for more information. International see Page

A-5

### Accessories & Supplies Group

#### Self-Maintenance Products

All spare parts necessary for self-maintenance are available from Digital. Self-maintenance products are designed to support the remotely located sites as well as those centrally located. On site spare parts contribute to higher uptime.

#### Educational Services

Through the Educational Services Group, Digital customers can be trained from inductory to State of the Art in software, hardware, and system management. Courses are offered at worldwide locations and at the customer's site.

#### Software Services

Software Services is an organization dedicated to supporting Digital software by providing software consulting, software maintenance, and software components to Digital customers. Presently there are over 2,000 software specialists located worldwide to assist customers with software needs.

#### Field Service

This organization provides Digital customers with both on-site and off-site maintenance service. There are a variety of contractual on-site service programs for terminals and computer systems. Per Call service is also provided in which maintenance is provided on a non-contractual time and material basis.

## DIGITAL REPAIRS AND CUSTOMER RETURNS

### The Customer Returns Center

The Customer Returns Center (CRC) is dedicated to the off-site service needs of the self-maintenance customer. CRC provides service on a wide range of Digital products. In addition, the CRC honors the corporate return-to-factory warranty for all module types (excluding CSS). The CRC's standard service offering is: DECmailer.

DECmailer is Digital's premium return-to-factory repair program. It provides qualified Digital customers with a fast, easy, economical way of handling module and subassembly repair.

The program features:

- o a five day turn-around
- o a large repair menu
- o an Emergency Dispatch Service
- o convenient monthly billing
- o quarterly account statements
- o a 90 day warranty
- o and pre-addressed shipping labels

DECmailer packages, including a price list and the agreement, are available on request by calling 800-225-5385. In Massachusetts, Alaska, and Hawaii, call 617-938-2280.

The CRC also offers a repair service for both in and out of warranty modules and sub-assemblies. It's called the Module Repair Service and it's designed for repair of modules not covered by DECmailer, and for customers who do not require the quick response of DECmailer. To use the Module Repair Service you must call the CRC to get a Return Authorization Number (RA#). To get an RA#, or for prices and lead times, call the 800# listed above.

DECmailer Service is available in the U.S. only.

For International information contact your local Digital subsidiary see page A-5

## LISTING OF INTERNATIONAL OFFICES

### **AUSTRALIA**

Digital Equipment Australia Pty. Ltd.  
Accessories & Supplies Group  
P.O. Box 232  
No. Adelaide, So. Australia 5006  
Australia  
Telephone: (61)-(8)-2674299  
Telex: 790-82825

### **AUSTRIA**

Digital Equipment Corporation, GmbH  
Shopping City Sued  
A-2334 Vosendorf-Sued  
Austria  
Telephone: (43)-(222)-6776410  
Telex: 847-134995

### **BELGIUM**

Digital Equipment SA/NV  
Rue de l'Aeronef, 1/  
Luchtschipstraat, 1  
Bruxxeles B-1140 Brussel  
Belgium  
Telephone: (32)-(2)-2425095  
Telex: 846-25297

### **CANADA**

Digital Equipment of Canada, Ltd.  
Accessories & Supplies Group  
940 Belfast Rd.  
Ottawa, Ontario K2K 2A6  
Canada  
Telephone: (800)-(267)-6146  
(613)-234-7726  
Telex: 610-562-8732

### **DENMARK**

Digital Equipment Corporation A/S  
Kristineberg 3  
DK-2100 Copenhagen O  
Denmark  
Telephone: (45)-(1)-299666  
Telex: 855-19675

### **FINLAND**

Digital Equipment Corporation OY  
PL 16  
SF-02201 Espoo 20  
Finland  
Telephone: (358)-(0)-423511  
Telex: 857-122324

### **FRANCE**

Digital Equipment France  
25 Place de la Loire  
Rungis 94528  
France  
Telephone: (33)-(1)-6872570  
Telex: 842-204270

### **GERMANY (WEST)**

Digital Equipment GmbH  
DEC - Park  
Freischuetzstrasse 91  
D-8000 Munich 81  
West Germany  
Telephone: (49)-(89)-95910  
Telex: 841-5215780

### **HOLLAND**

Digital Equipment Corporation B.V.  
KaaP Hoorndreef 38  
NL-3563 AV Utrecht  
Holland  
Telephone: (31)-(30)-631222  
Telex: 844-40370

### **HONG KONG**

Digital Equipment Hong Kong Ltd.  
Accessories & Supplies  
5-7 Asean Plaza  
94, Granville Road  
Tsimshatsui East  
Kowloon  
Hong Kong  
Telephone: (852)-(3)-7315211  
Telex: 780-46424

### **IRELAND**

Digital Equipment International Ltd.  
Park House  
North Circular Road  
IRL-Dublin 7  
Ireland  
Telephone: (353)-(1)-308433  
Telex: 852-31023

### **ISRAEL**

Digital Equipment (DEC) Ltd.  
Accadia Junction  
Maskit St.  
46733 Herzliya  
Israel  
Telephone: (972)-(3)-5257157  
Telex: 342563

**ITALY**

Digital Equipment S.p.A.  
Viale Falvio Testi 11  
Ang. Via Gorki 105  
20092, Cinisello Balsamo  
Milan  
Italy  
Telephone: (39)-261797  
Telex: 843-333435

**JAPAN**

Digital Equipment Corporation Int'l.  
Accessories & Supplies Group  
Sunshine 60, P.O. Box 1135  
1-1 Higashi Ikebukuro 3-Chrome  
Toshima-ku, Tokyo 170  
Japan  
Telephone: (81)-(3)-9897111  
Telex: 781-26428

**NETHERLANDS**

Digital Equipment bv  
Kaap Hoorndreef 66  
NL 3563 Av Utrecht  
Telephone: (31)-30631222  
Telex: 884-48245

**NEW ZEALAND**

Digital Equipment New Zealand Ltd.  
P.O. Box 17039  
Greenland, Auckland  
New Zealand  
Telephone: (64)-(9)-591280  
Telex: 791-2726

**NORWAY**

Digital Equipment Corporation A/S  
Pottemarkerveien 8  
N-Oslo 9  
Norway  
Telephone: (47)-(2)-160290  
Telex: 856-19079/16903

**PUERTO RICO AND CARIBBEAN**

Digital Equipment Latin America  
Accessories and Supplies Group  
P.O. Box 11038  
Fernandez Juncos Station  
Santurce 00910  
Puerto Rico  
Telephone: (800)-258-1710  
(809)-754-7575  
Telex: 385-7056

**SINGAPORE**

Digital Equipment Singapore (Pte) Ltd.  
San Centre, First Floor  
Chin Swee Road, Singapore 0316  
Republic of Singapore  
Telephone: (65)-919266  
Telex: 786-25435

**SOUTHEAST EUROPE AND NORTHERN AFRICA**

ALGERIA, CYPRUS, GREECE, MALTA,  
MOROCCO, PORTUGAL, TUNISIA, TURKEY  
Digital Equipment Corporation Int'l  
SEENA Branch  
Route des Jeunes 9  
CH 1211 Geneva 26  
Switzerland  
Telephone: (41)-(22)-429930  
Telex: 289201

**SPAIN**

Digital Equipment Corporation S.A.  
Sucursal en Espana  
Agustin de Foxa 17  
Madrid 16  
Spain  
Telephone: (34)-(1)-7331900  
Telex: 831-42192

**SWEDEN**

Digital Equipment AB  
Accessories & Supplies Group  
Englundavagen 7  
17124 Selna  
Sweden  
Telephone: (46)-(8)-7300200  
Telex: 854-17050

**SWITZERLAND**

Digital Equipment Corporation AG  
Schaffhauserstrasse 144  
CH-8302 Kloten/ZH  
Switzerland  
Telephone: (41)-(1)-8169111  
Telex: 845-56059

**UNITED KINGDOM**

Digital Equipment Co. Ltd.  
Units 9 & 10, Stadium Way  
Scours Lane  
GB-Reading RG3 6BX  
England  
Telephone: (44)-(734)-25533  
Telex: 851-847188



FOR ALL OTHER COUNTRIES OUTSIDE OF EUROPE CONTACT  
GENERAL INTERNATIONAL DISTRICT  
Digital Equipment Corporation  
Accessories & Supplies Group  
P.O. Box 577  
Littleton, Massachusetts 01460  
Telephone: (617)-486-7100  
Telex: 710-347-7651



**PURCHASABLE PARTS LIST**

**COMMENT SHEET**

Any and all comments and suggestions to improve this manual will be reviewed and researched for possible use when this manual is revised and/or reprinted. Enter your comments and suggestions in the form provided below and return to Digital Equipment Corporation.

MODEL RAINBOW 100 SYSTEM UNIT PC100 PUBLICATION NO. EK-SB100-IP-003

PAGE \_\_\_\_\_ SECTION \_\_\_\_\_ ITEM \_\_\_\_\_

COMMENT(S)

PAGE \_\_\_\_\_ SECTION \_\_\_\_\_ ITEM \_\_\_\_\_

COMMENT(S)

**ADDITIONAL COMMENT(S)**

Please describe your position. \_\_\_\_\_

Name \_\_\_\_\_ Organization \_\_\_\_\_

Street \_\_\_\_\_ Department \_\_\_\_\_

City \_\_\_\_\_ State \_\_\_\_\_ Zip or Country \_\_\_\_\_

-----  
Fold Here

-----  
Do Not Tear - Fold Here and Staple

**digital**



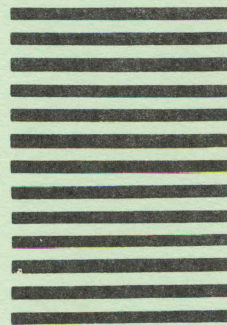
No Postage  
Necessary  
if Mailed in the  
United States

**BUSINESS REPLY MAIL**

FIRST CLASS      PERMIT NO 33      MAYNARD, MA

POSTAGE WILL BE PAID BY ADDRESSEE

Digital Equipment Corporation  
Attn: Circulation Dept. MK01/W83  
Continental Boulevard  
Merrimack, N.H. 03054





For more information about the products or services described on the previous pages, check the appropriate box(es) below.

- Documentation Products Directory
- Maintenance Documentation Service (MDS) Brochure
- DEC-O-Log Brochure
- Hardware Documentation Kit Handbook
- Spares Kit Handbook
- Maintenance Aids Handbook
- Please add me to your mailing list

Name \_\_\_\_\_

Title \_\_\_\_\_

Organization \_\_\_\_\_

Address \_\_\_\_\_

City, State, Zip \_\_\_\_\_

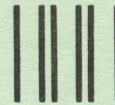
Tel./Ext. \_\_\_\_\_

IPB-PC100

-----  
Fold Here

-----  
Do Not Tear -- Fold Here and Staple

**digital**



No Postage  
Necessary  
if Mailed in the  
United States

**BUSINESS REPLY MAIL**

FIRST CLASS PERMIT NO 33 MAYNARD, MA

POSTAGE WILL BE PAID BY ADDRESSEE

Digital Equipment Corporation  
Attn: Circulation Dept. MK01/W83  
Continental Boulevard  
Merrimack, N.H. 03054

