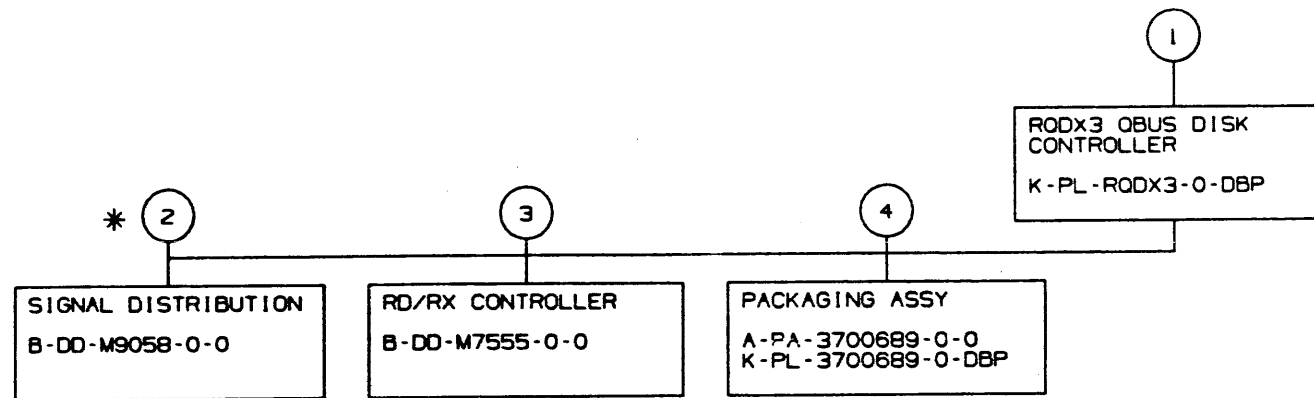


LINE	ITEM	TOP DOCUMENT	PART NUMBER	MIN REV	DESCRIPTION	QTY PER VARIATION		
						AA	BA	M
						VARIATION REVISION LEVEL:		
						A1	A1	A1
1	1	B-DD-M7555-0-0	M7555-00		Q-BUS WINCHESTER AND FLOPPY DISK	1	1	1
2	2	D-IA-BC02D-0-0	BC02D-1D		16" 50-COND SHIELDED SIGNAL 3M C	1	-	-
3	3	B-DD-M9058-0-0	M9058-00		SIGNAL DISTRIBUTION FOR RD52 AND	-	1	-
4	4	A-PS-1700861-0-0	1700861-01		CABLE ASSY,50COND,SIGNAL	-	1	-
5	5	A-PS-1700862-0-0	1700862-01		CABLE ASSY,I/O	-	1	-
6	6	A-PA-3700689-0-0	3700689-25		PKG UNIVERSAL MODULE	1	1	1
7	7		EKRQDX3-UG		RQDX3 CONTROLLER MODULE USER'S G	1	1	-

REVISION HISTORY			BASIC PART NO: RQDX3		DRN: D. HEALY		DATE: 18-SEP-85		D I G I T A L		
ENG	ECO NUMBER	REV	SECTION A OF A	CHK'D:	D. HEALY	DATE:	21-OCT-85	TITLE PARTS LIST			
	INITIAL	A	SECTION VARIATION INDEX (A)AA,BA,M					RQDX3 QBUS DISK CONTROLLER			
			(B)	DES.ENG:	N. WARCHOL	DATE:	21-OCT-85	DOCUMENT NUMBER			
			(C)					SIZE	CODE	NUMBER	REV
			(D)	RESP.ENG.:	J. SERBIA	DATE:	21-OCT-85	K	PL	RQDX3-0-DBP	A
			(E)	MFG.ENG.:	J. VEGA	DATE:	21-OCT-85	RELEASE DATE: 21-OCT-85			
			(F)	ASSEMBLY NUMBER:		TOP DOCUMENT NUMBER:	B-DD-RQDX3-0-DBU	FILE NAME:	GH543A.PLS		EDIT #
											5

"THIS DRAWING AND THE SPECIFICATIONS CONTAINED HEREIN ARE CONFIDENTIAL AND PROPRIETARY. THEY ARE THE PROPERTY OF DIGITAL EQUIPMENT CORPORATION AND SHALL NOT BE REPRODUCED OR COPIED OR USED IN WHOLE OR IN PART AS THE BASIS FOR THE MANUFACTURE OR SALE OF ITEMS WITHOUT WRITTEN PERMISSION. THIS IS AN UNPUBLISHED WORK PROTECTED UNDER THE FEDERAL COPYRIGHT LAWS."



* USED ON RODX3-BA ONLY

TITLE:	RODX3 OBUS DISK CONTROLLER	SHEET 2 OF 3	SIZE CODE B DD	NUMBER RODX3-0-DBU	REV. A
--------	-------------------------------	--------------	--------------------------	-----------------------	-----------

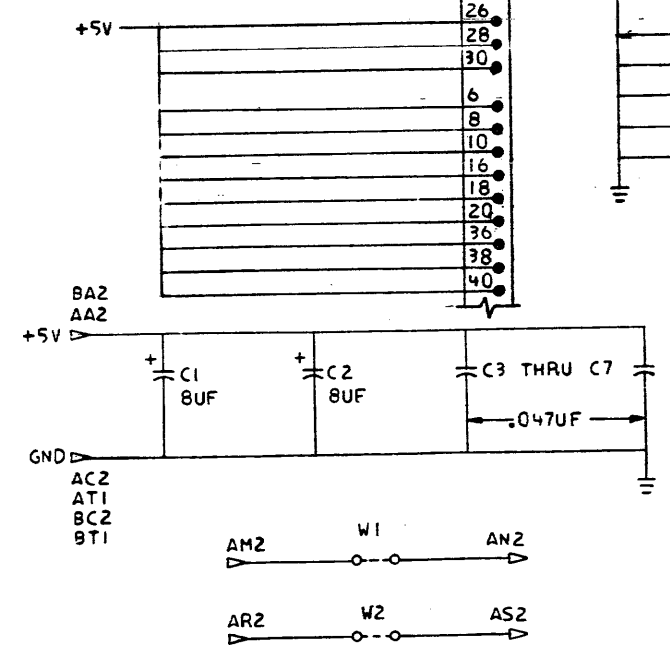
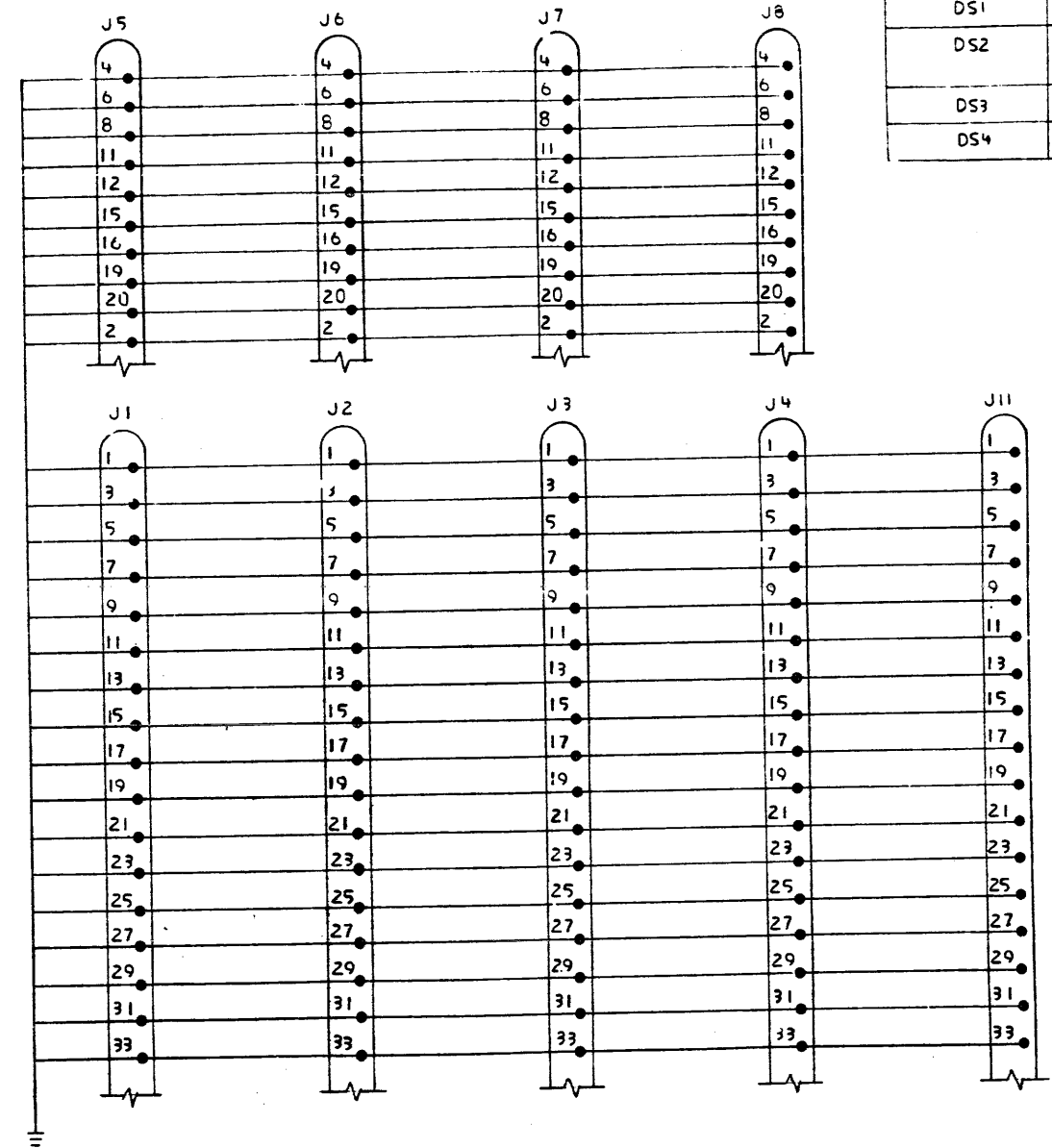
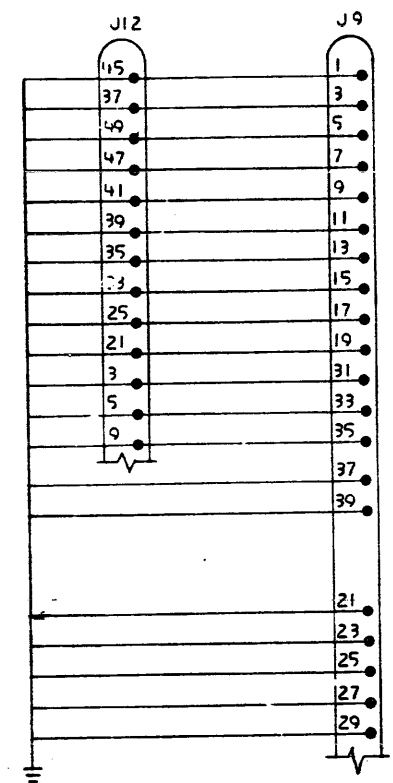
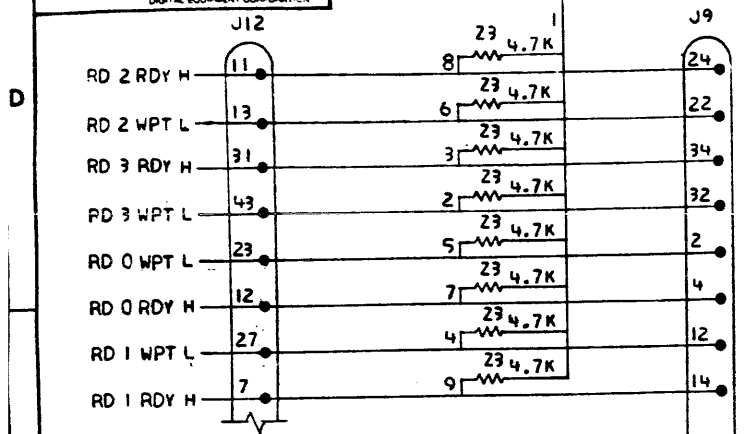
LINE	ITEM	TOP DOCUMENT	PART NUMBER	MIN REV	DESCRIPTION	QTY PER VARIATION	REFERENCE DESIGNATOR
					VARIATION REVISION LEVEL:	00 A1	
1	1	D-MD-5016673-0-0	5016673-01		CIRCUIT DRILL AND ETCH BOARD	1	
2	2		1213543-01		HANDLE,UNIBUS MODULE,MAGENTA	1	
3	3		1012784-00		.047 MFD 50V +80-20% CER	5	C3-C7
4	4		1216832-03		PCB,HEADER 50POS(2X25).100CC 90D	1	J12
5	5		1012084-01		8 MFD 25V +75-10% AL EL	2	C1,C2
6	6		1915123-00		26LS32 RECEIVER,QUAD,EIA R	1	E11
7	7		1915417-00		9638 DRIVER,DUAL,EIA RS-	2	E2,E7
8	8		1216832-02		PCB,HEADER 40POS(2X20).100CC 90D	1	J9
9	9		1215341-06		PCB HEADER 34PIN(2X17).100CC STR	5	J1-J4,J11
10	10		1215341-09		PCB HEADER 20PIN(2X10).100CC STR	4	J5-J8
11	11		1920572-01		74F244 BUFFER/LINE DRIVER,0	2	E3,E8
12	12		1911116-00		DEC 8837 RECEIVER,BUS,HEX,UN	1	E1
13	13		1318110-00		R NETWORK 11-330 11-680 13PIN	2	Z1,Z2
14	14		9009149-00		PIN,STAKNG 0.0250DX0.345LG SQUAR	3	TP1-TP3
15	15		9009185-00		JUMPER, WIRE, INSULATED, BLACK B	4	W3-W6
16	16		1911469-00		DEC 8640 RECEIVER,BUS,QUAD,U	1	E6
17	17		1912848-00		LS158 MUX 1 OF 2 (QUAD)	1	E10
18	18		1909928-00		7416 INVERTER GATE-HEX 1I	2	E5,E9
19	19		1912838-00		LS132 NAND GATE-QUAD 2IN P	1	E4
20	20		1300229-00		100.0 .25 W 5.0 % CF	4	R1-R4
21	21		9006732-00		EYELET,ROLLED 0.1210DX0.219	4	
22	22		1218783-00		JUMPER 02POS(1X02).100CC	1	
23	23		1316395-00		R NETWORK 9-4.7K 2.0 % 10PIN	1	Z3

REVISION HISTORY			BASIC PART NO: M9058		DRN:	M. FUNARO	DATE:	10-SEP-84	D I G I T A L			
ENG!	ECO NUMBER	REV	SECTION A	OF A	CHK'D:	D. BARRIERE	DATE:	19-SEP-84	TITLE PARTS LIST			
---	INITIAL	A	SECTION VARIATION INDEX		DES.ENG:	J. PADGETT	DATE:	13-NOV-84	DOCUMENT NUMBER			
			[A]	00	RESP.ENG.:	J. PADGETT	DATE:	13-NOV-84	SIZE!	CODE!	NUMBER	REV
			[B]		MFG.ENG.:	B. LAIDMAN	DATE:	13-NOV-84	K	PL	M9058-0-DBP	A
			[C]						RELEASE DATE: 20-NOV-84			
			[D]									
			[E]									
			[F]									
			[H]									
			[J]									
			[K]									
			[L]									
			[M]									
			[N]									
					ASSEMBLY NUMBER:	D-UA-M9058-0-0	TOP DOCUMENT NUMBER:	B-DD-M9058-0-0	FILE NAME:	ML352A.PLS	EDIT #:	6

THIS DRAWING AND THE SPECIFICATIONS CONTAINED HEREIN ARE CONFIDENTIAL AND PROPRIETARY. THEY ARE THE PROPERTY OF DIGITAL EQUIPMENT CORPORATION AND SHALL NOT BE REPRODUCED OR COPIED OR USED IN WHOLE OR IN PART AS THE BASIS FOR THE MANUFACTURE OR SALE OF ITEMS WITHOUT WRITTEN PERMISSION. THIS IS AN UNPUBLISHED WORK PROTECTED UNDER THE FEDERAL COPYRIGHT LAWS.

THIS DRAWING AND SPECIFICATIONS HEREIN ARE THE PROPERTY OF DIGITAL EQUIPMENT CORPORATION AND SHALL NOT BE REPRODUCED OR COPIED OR USED IN WHOLE OR IN PART AS THE BASIS FOR THE MANUFACTURE OR SALE OF ITEMS WITHOUT WRITTEN PERMISSION. COPYRIGHT © 1964 DIGITAL EQUIPMENT CORPORATION

DRIVE SELECT MAPPING	
PHYSICAL DRIVE SELECT #	LOGICAL DRIVE #
DS1	RD2 CR RX5* 1
DS2	RD3 QR RX5* 2 QR RX3* 1
DS3	RD 0
DS4	RD 1



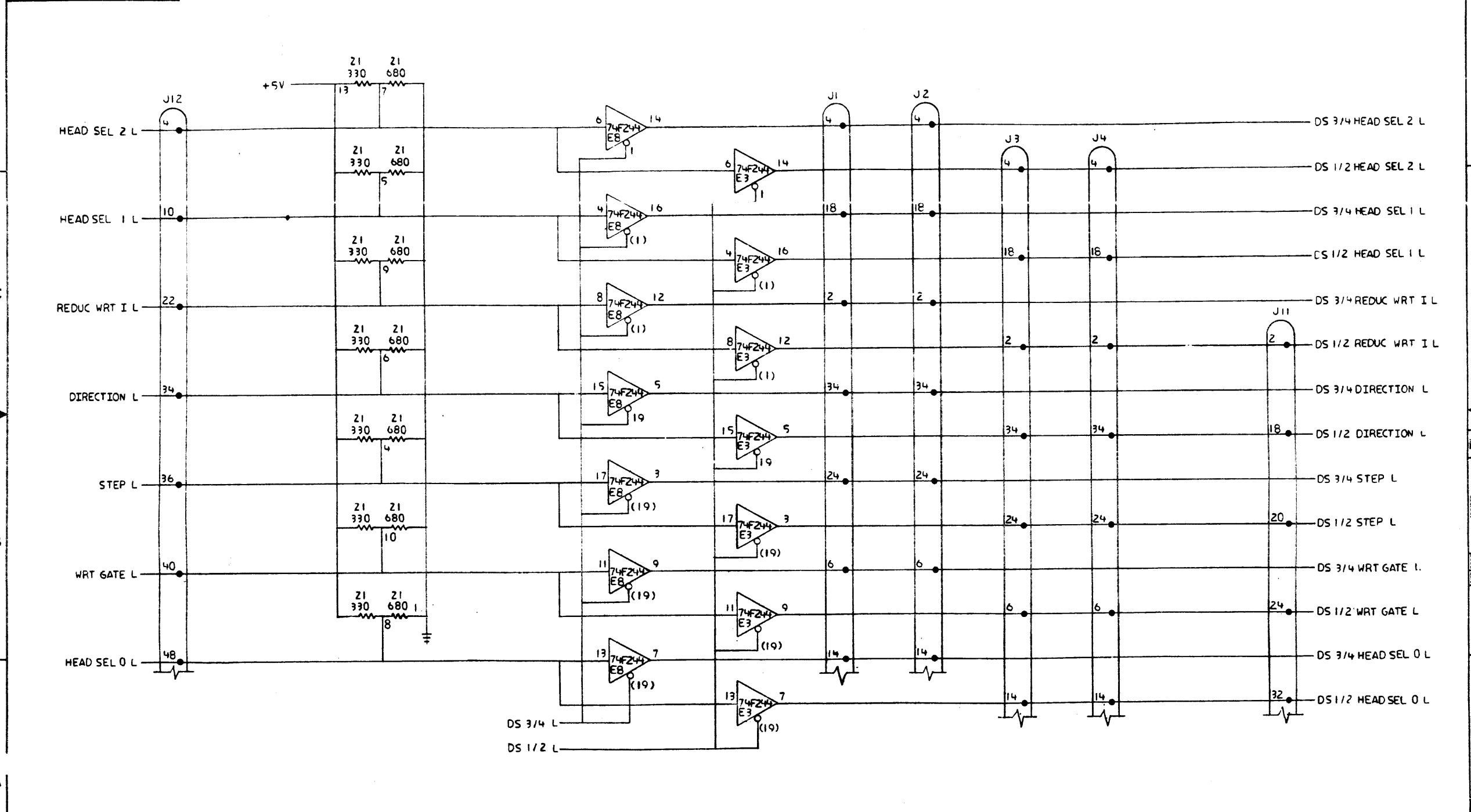
IC	VCC	GND
E3 E8	20	10
E1 E10 E11	16	8
E4 E5 E9	14	7
E6	8	1
E2 E7	1	4

REV.	DATE	ECO NUMBER	DESCRIPTION

DESIGNED BY: J. P. [Signature]	DATE: 20 SEP 64	TITLE: digital
CHKD BY: J. P. [Signature]	DATE: 11 NOV 64	RQDX SIGNAL DIST. BD.
DESIGN BY: J. P. [Signature]	DATE: 13 NOV 64	DOCUMENT NUMBER: DCS M9058-0-1 A
APP'D BY: J. P. [Signature]	DATE: 13 NOV 64	SCALE: 1 OF 5
DESIGNED BY: J. P. [Signature]	DATE: 21 NOV 64	SCALE: 1 OF 5

8 | 7 | 6 | 5 | 4 | 3 | 2 | 1

THIS DRAWING AND SPECIFICATIONS HEREIN ARE THE PROPERTY OF DIGITAL EQUIPMENT CORPORATION AND SHALL NOT BE REPRODUCED OR COPIED OR USED IN WHOLE OR IN PART AS THE BASIS FOR THE MANUFACTURE OR SALE OF ITEMS WITHOUT WRITTEN PERMISSION.
 COPYRIGHT © 1974
 DIGITAL EQUIPMENT CORPORATION



REVISION HISTORY		
DATE	ECO NUMBER	REV

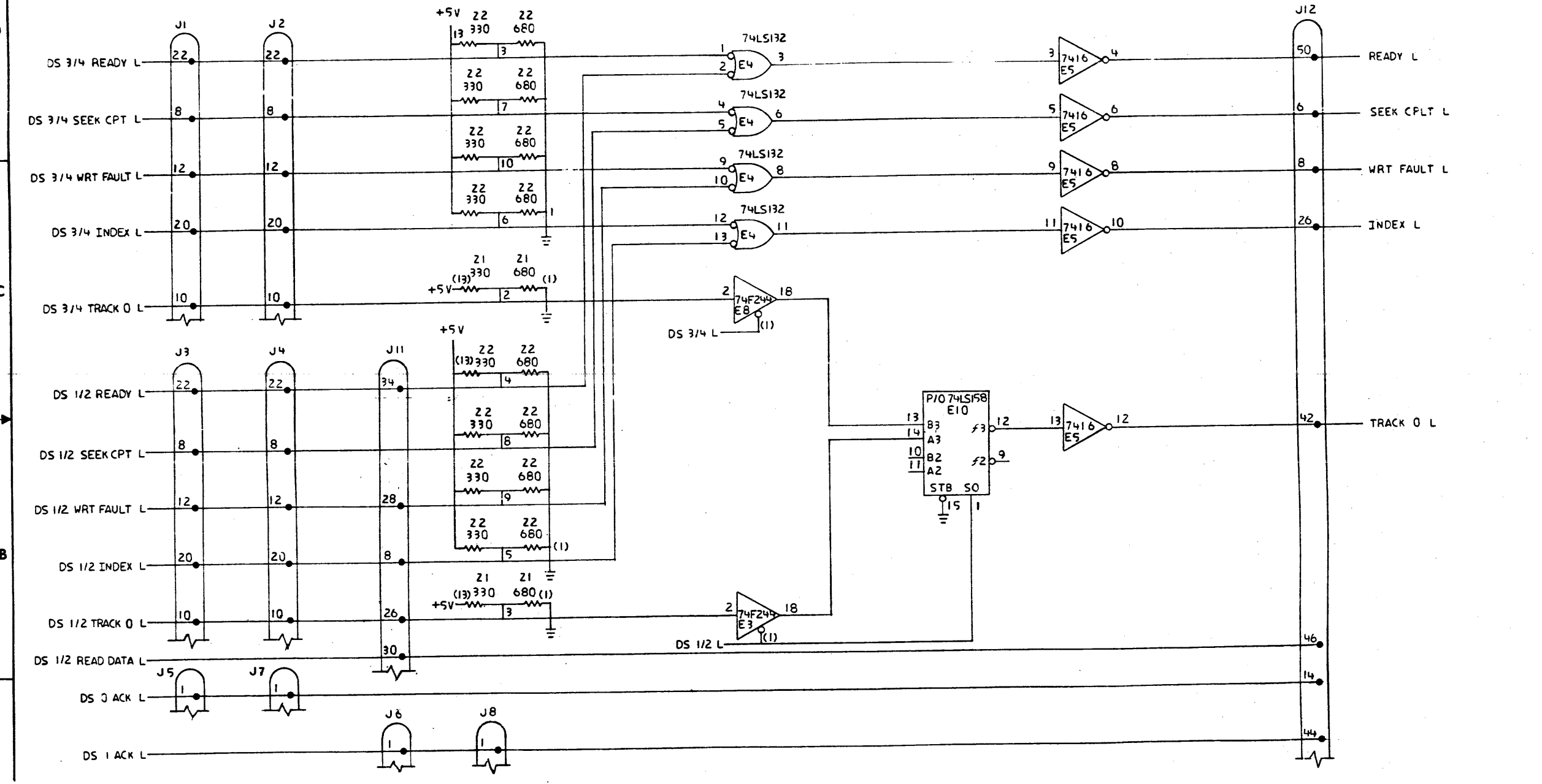
TITLE RQDX SIGNAL DIST. BD.

DOCUMENT NUMBER		
SIZE	CODE	NUMBER
D	CS	M9058-0-1
SCALE		SHEET 2 OF 5

8 | 7 | 6 | 5 | 4 | 3 | 2 | 1

8 7 6 5 4 3 2 1

THIS DRAWING AND SPECIFICATIONS HEREIN ARE THE PROPERTY OF DIGITAL EQUIPMENT CORPORATION AND SHALL NOT BE REPRODUCED OR COPIED OR USED IN WHOLE OR IN PART AS THE BASIS FOR THE MANUFACTURE OR SALE OF ITEMS WITHOUT WRITTEN PERMISSION. COPYRIGHT © 1978 DIGITAL EQUIPMENT CORPORATION



REVISION HISTORY		
DATE	ECO NUMBER	REV.

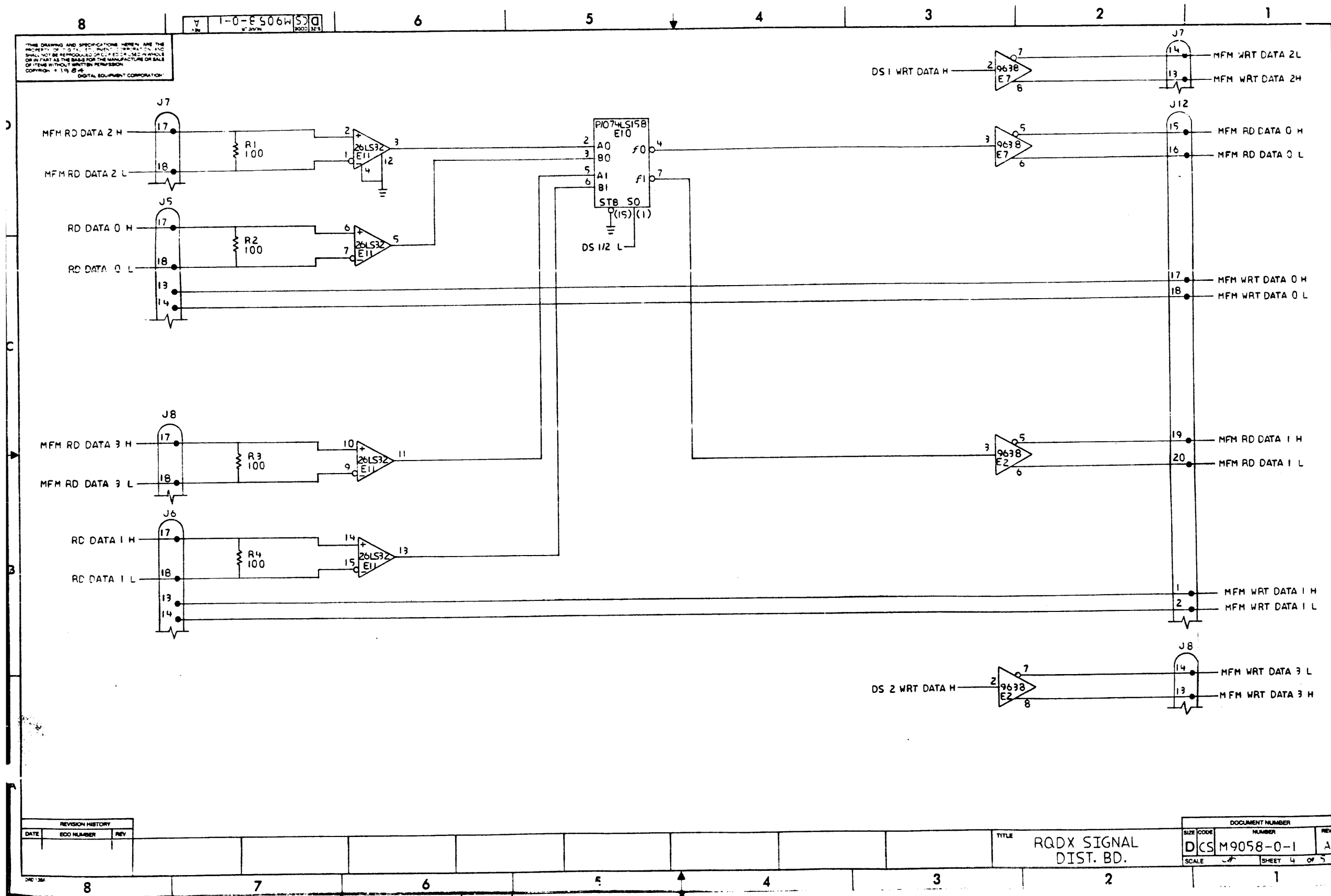
TITLE RQDX SIGNAL DIST. BD.

DOCUMENT NUMBER		
SIZE	CODE	NUMBER
DCS	M9058-0-1	A
SCALE	SHEET 3 OF 5	

8 7 6 5 4 3 2 1

A B C

THIS DRAWING AND SPECIFICATIONS HEREIN ARE THE PROPERTY OF DIGITAL EQUIPMENT CORPORATION AND SHALL NOT BE REPRODUCED OR COPIED OR USED IN WHOLE OR IN PART AS THE BASIS FOR THE MANUFACTURE OR SALE OF ITEMS WITHOUT WRITTEN PERMISSION.
 COPYRIGHT © 1974
 DIGITAL EQUIPMENT CORPORATION



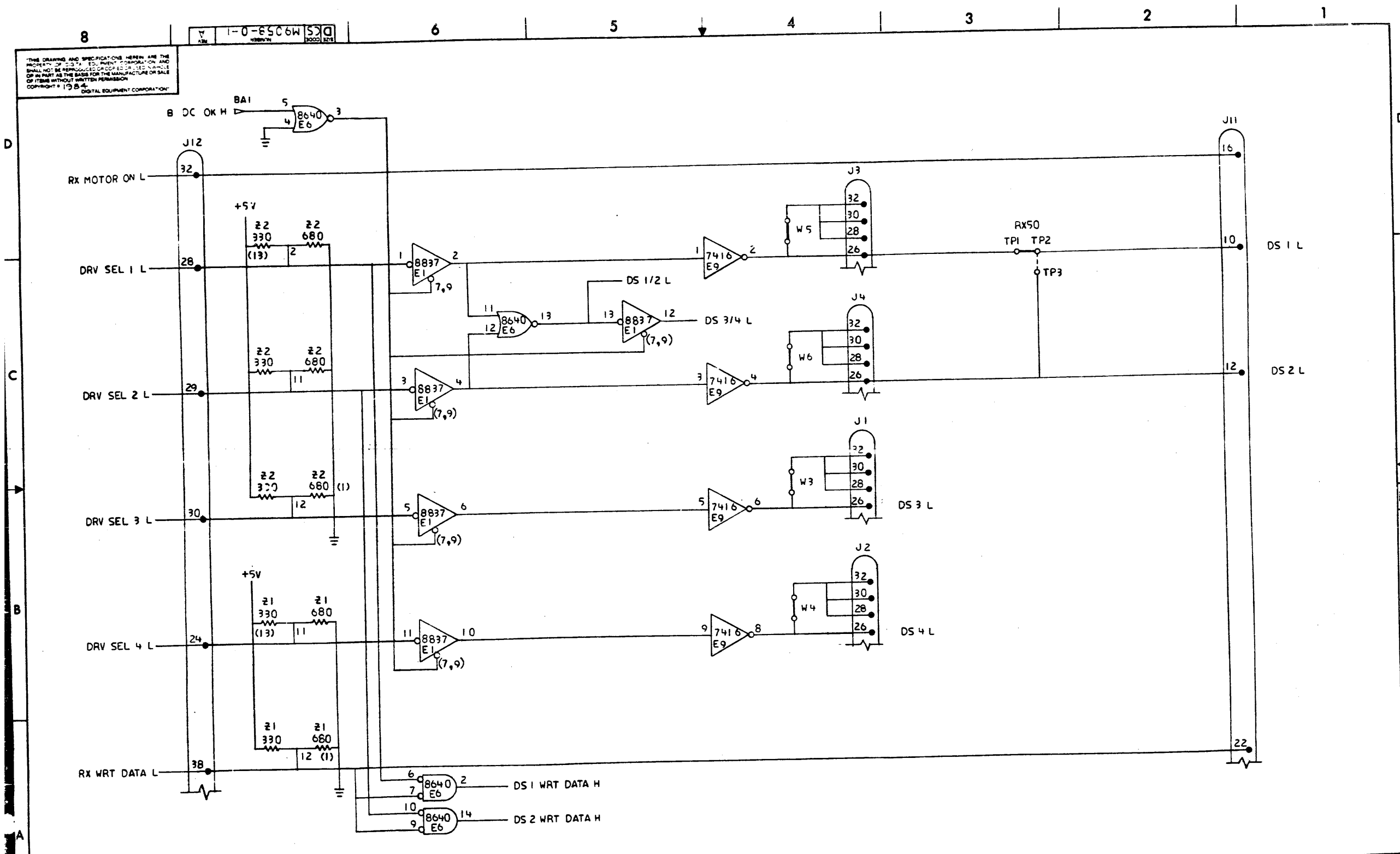
REVISION HISTORY		
DATE	ECO NUMBER	REV

TITLE
 RQDX SIGNAL
 DIST. BD.

DOCUMENT NUMBER		
SIZE	CODE	NUMBER
DCS	M9058-0-1	A
SCALE		SHEET 4 OF 5

DCS M9058-C-1
 REV A
 B
 A

THIS DRAWING AND SPECIFICATIONS HEREIN ARE THE PROPERTY OF BUSH BROS. EQUIPMENT CORPORATION AND SHALL NOT BE REPRODUCED OR COPIED OR IN ANY MANNER OR BY ANY MEANS WITHOUT WRITTEN PERMISSION OF BUSH BROS. EQUIPMENT CORPORATION. COPYRIGHT © 1975 BUSH BROS. EQUIPMENT CORPORATION.



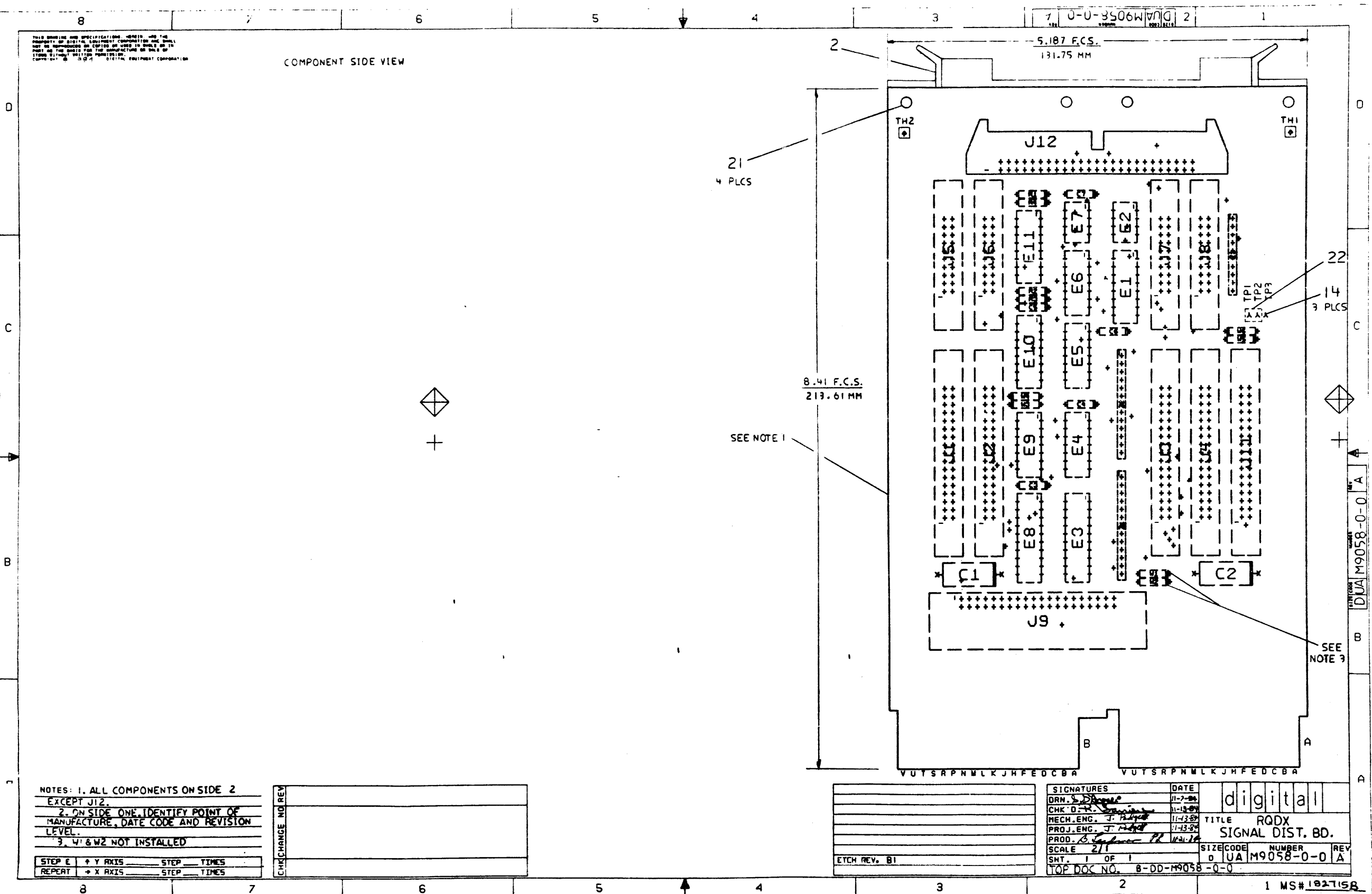
REVISION HISTORY		
DATE	ECO NUMBER	REV.

TITLE RQDX SIGNAL
DIST. BD.

DOCUMENT NUMBER		
SIZE CODE	NUMBER	REV.
DCS	M9058-0-1	A
SCALE	SHEET	OF
	5	5

THIS DRAWING AND SPECIFICATIONS, HEREIN AND THE PROPERTY OF DIGITAL EQUIPMENT CORPORATION AND SHALL NOT BE REPRODUCED OR COPIED IN WHOLE OR IN PART OR THE BASIS FOR THE MANUFACTURE OF SUCH OR FROM WITHOUT WITHOUT PERMISSION.

COMPONENT SIDE VIEW



NOTES: 1. ALL COMPONENTS ON SIDE 2 EXCEPT J12.
 2. ON SIDE ONE IDENTIFY POINT OF MANUFACTURE, DATE CODE AND REVISION LEVEL.
 3. W1 & W2 NOT INSTALLED

STEP	E	+ Y AXIS	STEP	TIMES
REPEAT		+ X AXIS	STEP	TIMES

CHANGE NO	REV

ETCH REV.	B1

SIGNATURES		DATE	digital
DRN. S. S. S.		11-7-84	
CHK. D. H.		11-13-84	TITLE RQDX SIGNAL DIST. BD.
MECH. ENG. J. P. J.		11-23-84	
PROJ. ENG. J. P. J.		11-23-84	SIZE CODE NUMBER REV 0 UA M9058-0-0 A
PROD. B. S. S.		11-23-84	
SCALE 2/1	SNT. 1 OF 1		TOP DOC NO. 8-DD-M9058-0-0

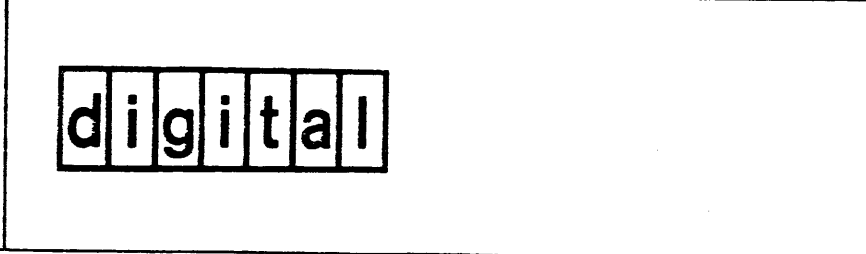
1 MS#182715B

DRAWING NO.	NO OF SHTS	PART NO.	DESCRIPTION	REVISIONS															
				A1	BI	CI	DI	D2											
		M7555-00	MICROVAX Q-BUS DISK CONTROLLER																
D-UA-M7555-0-0	1		MICROVAX Q-BUS DISK CONTROLLER UNIT ASSEMBLY	A	B	B	C	--											
D-CS-M7555-0-1	37		MICROVAX Q-BUS DISK CONTROLLER SCHEMATIC	A	B	B	C	C											
K-PL-M7555-0-DBP	2		MICROVAX Q-BUS DISK CONTROLLER PARTS LIST	A	B	C	D	-											
K-PC-M7555-0-DBJ	1		P.C. DESIGN DATA BASE	C	C	C	C	D											
		5016674-01	ETCHED CIRCUIT BOARD	C1	C1	C1	C1	D1											
B-DD-5016674-0-0	1		DRAWING DIRECTORY	A	B	B	C	C											
D-UA-M7555-0-1	1		MICROVAX Q-BUS DISK CONTROLLER UNIT ASSEMBLY	-	-	-	-	A											
K-PL-M7555-1-DBP	2		MICROVAX Q-BUS DISK CONTROLLER PARTS LIST	-	-	-	-	A											

NOTES:

REVISION HISTORY		REV.	A	B	C	D	D
DATE	ECO NO.						
4/22	INIT						
11-11-85	M7555-TW001						
3/86	M7555-ML002						
5/86	M7555-ML003						
5/86	M7555-ML003						

THIS DRAWING AND THE SPECIFICATIONS CONTAINED HEREIN ARE CONFIDENTIAL AND PROPRIETARY. THEY ARE THE PROPERTY OF DIGITAL EQUIPMENT CORPORATION AND SHALL NOT BE REPRODUCED OR COPIED OR USED IN WHOLE OR IN PART AS THE BASIS FOR THE MANUFACTURE OR SALE OF ITEMS WITHOUT WRITTEN PERMISSION. THIS IS AN UNPUBLISHED WORK PROTECTED UNDER THE FEDERAL COPYRIGHT LAWS. 1985



DRN. B. CORMIER	DATE 4/23/85	TITLE MICROVAX Q-BUS DISK CONTROLLER	
CHK'D E. LANDRY	DATE 4/23/85	DOCUMENT NUMBER	
DES. ENG. N. WARCHOL	DATE 4/23/85	SIZE B	CODE DD
RESP. ENG. N. WARCHOL	DATE 4/23/85	NUMBER M7555-0-0	REV. D
MFG. ENG. <i>John J. Adams</i>	DATE 5/14/85	SHEET 1 OF 1	

LINE	ITEM	TOP DOCUMENT	PART NUMBER	DESCRIPTION	QTY	PER VAR/REV	REFERENCE DESIGNATORS
1	1	D-MD-5016674-0-0	50-16674-01	CIRCUIT DRILL AND ETCH	1		
2	2		10-02427-00	15 PFD 100V +/- 5% 200PP	1		C5
3	3		10-13466-07	220 PFD 50V +/- 5% NPO C	1		C6
4	4		10-13466-58	0.068MFD 50V +/- 5% X7R C	1		C3
5	5		10-14265-00	0.22 MFD 50V +80/-20% Z5U C	22		C12-C14,C16-C34
6	6		10-15268-00	*** THIS ITEM IS NOT USED ***	-		
7	7		10-15573-01	5600 PFD 50V +/- 5% X7R C	1		C7
8	8		10-17472-00	10 MFD 35V +75/-10% ALU	3		C8-C10
9	9		10-24600-01	200 PFD 100V +/- 5% 200PP	1		C4
10	10		11-11577-00	PIV= 50 IO=200 MA - 4NS 1N4454	4		D1-D3,D5
11	11		11-14136-01	LED 6.5MA 5V 1.2MCD	1		D4
12	12		12-13506-13	PCB HEADER 50PIN(2X25).100CC.90D	1		J1
13	13		12-13543-01	HANDLE,UNIBUS MODULE,MAGENTA	1		
14	14		12-15006-07	SKT,IC 28PIN DIP TIN SOLD	5		XE18-XE22
15	15		12-15006-08	SKT,IC 40PIN DIP TIN SOLD	2		XE29,XE37
16	16		12-16862-06	PCB,HEADER 02POS(2X01).100CC STR	4		
17	17		12-16862-07	PCB,HEADER 08POS(2X04).100CC STR	1		
18	18		12-16862-08	PCB,HEADER 22POS(2X11).100CC STR	1		
19	19		12-18783-00	JUMPER 02POS(1X02).100CC	6		W2,W4,W5,W9,W11,W23
20	20		13-00197-00	33.0 .25 W 5.0 % CF	1		R36
21	21		13-00229-00	100.0 .25 W 5.0 % CF	2		R4,R5
22	22		13-00295-00	330.0 .25 W 5.0 % CF	3		R3,R7,R10
23	23		13-00365-00	1.0 K .25 W 5.0 % CF	9		R1,R2,R13,R15,R18,R19,R23,R28, CONT R31
24	24		13-01972-00	270.0 .25 W 5.0 % CF	2		R11,R12
25	25		13-02602-00	56.0 .25 W 5.0 % CF	5		R34,R35,R37-R39
26	26		13-02955-00	750.0 .25 W 1.0 % RN55D-F10	1		R33
27	27		13-02956-00	196.0 .25 W 1.0 % RN55D-F10	1		R29
28	28		13-03114-00	1.0 K .25 W 1.0 % RN55D-F10	2		R6,R24
29	29		13-03312-00	10.0 K .25 W 1.0 % RN55D-F10	2		R16,R27
30	30		13-04725-00	300.0 .25 W 1.0 % RN55D-F10	1		R30
31	31		13-12922-00	536.0 .25 W 1.0 % RN55D-F10	1		R22

REVISION HISTORY		KPL MODULE FORMAT		SECTION A OF A		DRN: JIM CUNNINGHAM		DIGITAL	
ENG	ECO NUMBER	REV	SECTION/VARIATION INDEX	CHK'D:	DATE:	TITLE	PARTS LIST	SIZE	CODE
---	INITIAL	A	[A] 00 [M]	DAVID DROZD	14-SEP-84	RQDX3	QBUS DISK CTRL		
AT	M7555-TW001	B	[B] [N]	DATE: 14-SEP-84					
NW	M7555-ML002	C	[C] [P]	DES.ENG: NICK WARCHOL	12-MAY-86				
JS	M7555-ML003	D	[D] [Q]	DATE: 12-MAY-86					
			[E] [R]	RESP.ENG.: E. PABELLON	12-MAY-86				
			[F] [S]	DATE: 12-MAY-86					
			[H] [T]	MFG.ENG: JORGE VEGA	14-SEP-84				
			[J] [V]	DATE: 14-SEP-84					
			[K] [W]						
			[L] [Y]						
		BASIC PART NUMBER: M7555		ASSEMBLY NUMBER:		TOP DOCUMENT NUMBER: B-DD-M7555-0-0		FILE NAME: ML374D.PLS	
								EDIT #: 10	

THIS DRAWING AND THE SPECIFICATIONS CONTAINED HEREIN ARE CONFIDENTIAL AND PROPRIETARY. THEY ARE THE PROPERTY OF DIGITAL EQUIPMENT CORPORATION AND SHALL NOT BE REPRODUCED OR COPIED OR USED IN WHOLE OR IN PART AS THE BASIS FOR THE MANUFACTURE OR SALE OF ITEMS WITHOUT WRITTEN PERMISSION. THIS IS AN UNPUBLISHED WORK PROTECTED UNDER THE FEDERAL COPYRIGHT LAWS.

LINE	ITEM	TOP DOCUMENT	PART NUMBER	MIN REV	DESCRIPTION	QTY PER VAR/REV	REFERENCE DESIGNATORS
						00 D1	
32	32		13-13590-00	1.50 K	.25 W 1.0 % RN55D-F10	1	R21
33	33		13-13591-00	1.65 K	.25 W 1.0 % RN55D-F10	1	R26
34	34		13-16395-00	R. NET	4.7K- 9 2.0	1	Z1
35	35		13-16839-00	715.0	.25 W 1.0 % RN55D-F10	1	R25
36	36		13-16841-00	2.05 K	.25 W 1.0 % RN55D-F10	1	R17
37	37		13-17399-00	6.49 K	.25 W 1.0 % RN55D-F10	1	R20
38	38		13-21219-01	R. NET	330.0 - 4 680.0 - 4 2.0	1	Z2
39	39		13-24050-01	R. NET	220.0 - 8 330.0 - 8 2.0	1	Z3
40	40		15-09524-00	2N 3904	NPN 310MW SI 40 40 M	10	Q1-Q7,Q9-Q11
41	41		15-09525-00	2N 3906	PNP 310MW SI 40100 Y	4	Q12-Q15
42	42		16-23214-01	DELAY=	50NS,5TAPS,14PIN DIP	2	E6,E26
43	43		16-24610-01	DELAY=	1000NS,10TAP	1	E11
44	44		18-11660-01	OSCILLATOR,	XTAL 10.000 MHZ	1	Y1
45	45		18-11660-67	OSCILLATOR,	XTAL 15.000 MHZ	1	Y2
46	46		19-12536-01	7805	VOLT REG, FIX +5V	1	Q8
47	47		19-12803-00	LS04	INVERTER GATE, HEX	1	E7
48	48		19-12805-00	LS08	AND GATE-QUAD 2IN, PO	1	E4
49	49		19-12842-00	LS138	DECODER-THREE INPUT,	1	E45
50	50		19-12863-00	LS273	FF-D OCTAL W/CLEAR	3	E14,E27,E35
51	51		19-13040-00	DC 005	TRANSCEIVER 4BIT	4	E28,E32,E36,E40
52	52		19-13414-00	LS14	INVERTER GATE-HEX SC	1	E43
53	53		19-13777-00	LS240	DRIVER, LINE, OCTAL, TR	3	E23,E31,E44
54	54		19-14987-00	8641-2	TRANSCEIVER, UNIBUS,	4	E10,E13,E16,E17
55	55		19-15219-00	LS373	FF-D OCTAL-TRANSPARE	2	E41,E42
56	56		19-15416-00	9637	RECEIVER, DUAL, RS-422	1	E38
57	57		19-15417-00	9638	DRIVER, DUAL, EIA RS-4	1	E39
58	58		19-16581-00	347	OP AMP, QUAD, JFET	1	E3
59	59		19-19015-00	DC 021	BUS TRANSCEIVER, 20PI	4	E12,E15,E24,E25
60	60		19-20442-01	74F374	FF-D, OCTAL, TRI-STATE	2	E1,E5
61	61		19-20895-01	LS626	OSCILLATOR, DUAL, VOLT	1	E9
62	62		19-21307-01	74F04	HEX INVERTER	1	E34
63	63		19-21318-01	74F151	MUX, 8-IN	1	E30
64	64		21-17311-01	T-11	MICROPROCESSOR W/LSI-	1	E37
65	65		21-21384-03		RAM 8KX8, STATIC 120	2	E19,E20
66	66			*** THIS ITEM IS NOT USED ***		-	
67	67		21-24145-01		DATA PATH GATE ARRAY	1	E33
68	68		21-24192-01		CONTROLLER, DISK	1	E29
69	69		23-12L3 -00	L3-01		1	E2
70	70		23-54L1 -00	L1-01		1	E18
71	71			*** THIS ITEM IS NOT USED ***		-	
72	72			*** THIS ITEM IS NOT USED ***		-	
73	73		90-06732-00	EYELET, ROLLED	0.1210DX0.219	2	
74	74		10-01631-00	390	PFD 100V +/- 5% 200PP	1	C35
75	75		13-14763-00	4.12 K	.25 W 1.0 % RN55D-F10	1	R40
76	76		90-09217-00	POST,	WIRE WRAP	1	
77	77		91-07256-11	TUBING,	TEFLON .027ID	A/R	
78	78		21-24144-02	DC 7021B	CMOS GAD	1	E8
79	79		23-216E5-00	*** THIS ITEM IS NOT USED ***		-	
80	80		23-217E5-00	*** THIS ITEM IS NOT USED ***		-	
81	81		23-243E5-00	E5-01, E5-02, E5-03	ROM	1	E21

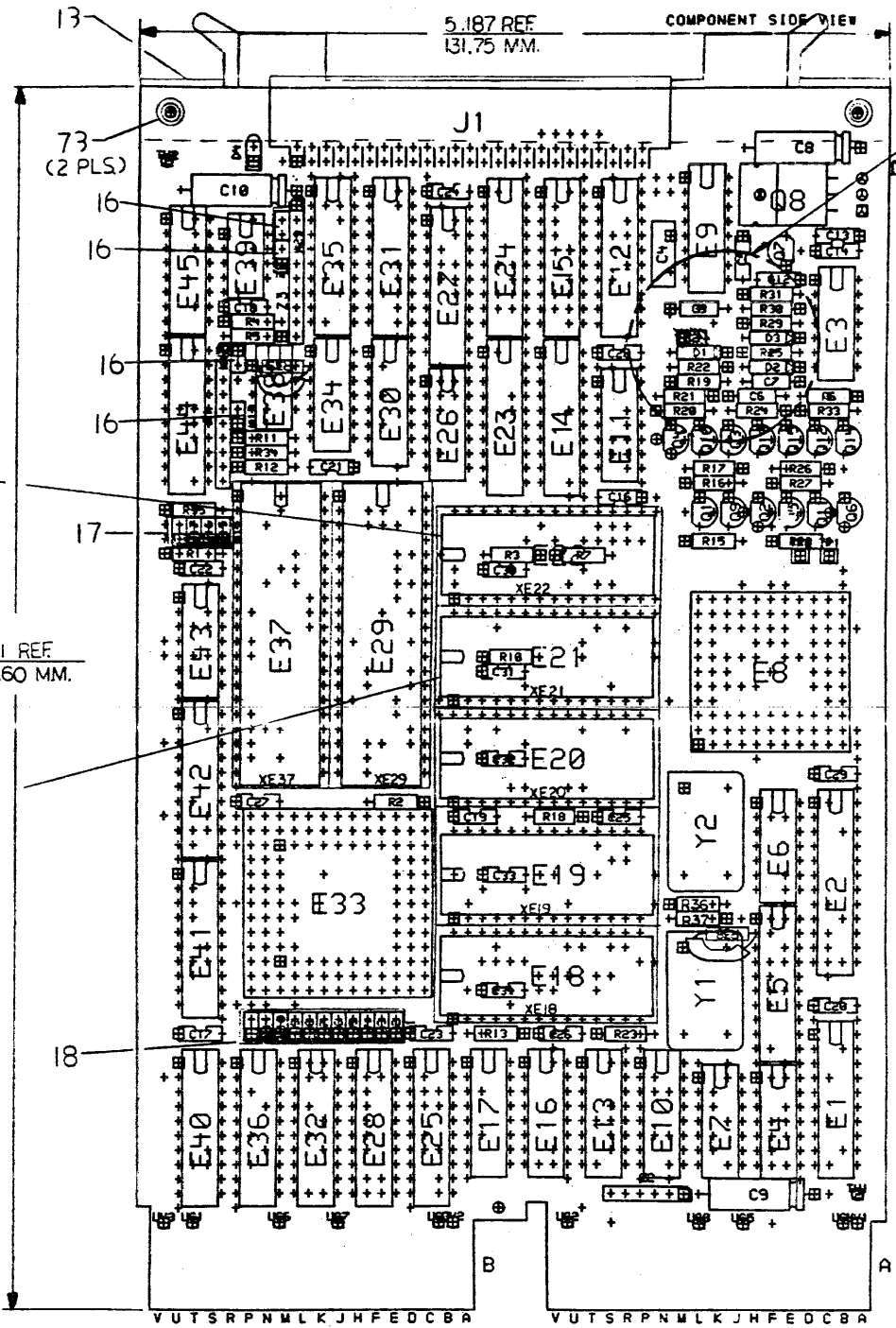
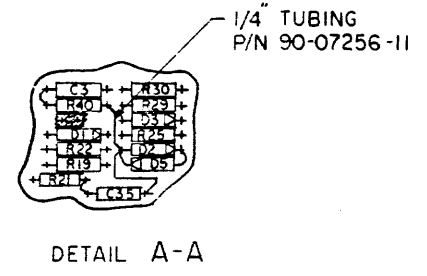
D	I	G	I	T	A	L	TITLE	SECTION A	OF A	SIZE	CODE	DOCUMENT NUMBER	REV
							RQDX3 QBUS DISK CTRL			K	PL	M7555-0-DBP	D

LINE ITEM	TOP DOCUMENT	PART NUMBER	MIN REV	DESCRIPTION	QTY 00 D1	PER VAR/REV	REFERENCE DESIGNATORS
82	82	23-244E5-00	E5-01 E5-02 E5-03	ROM	1		E22

D	I	G	I	T	A	L	TITLE	SECTION A	OF	A	SIZE	CODE	DOCUMENT NUMBER	REV
							RQDX3 QBUS DISK CTRL				K	PL	M7555-0-DBP	D

THIS DRAWING AND SPECIFICATIONS, HEREIN, ARE THE PROPERTY OF AETEC, INC. ANY REPRODUCTION OR TRANSMISSION OF THIS DRAWING OR SPECIFICATIONS IN ANY FORM OR BY ANY MEANS, WITHOUT THE WRITTEN PERMISSION OF AETEC, INC. IS PROHIBITED.

D
C
B
A



NOTES:

STEP E	+ Y AXIS	STEP	TIMES
REPEAT	+ X AXIS	STEP	TIMES

CHG	NO	REV	BY	DATE
72	M7555-TWOOL	B		
	A	TRADO		
	C	DAVID		
	J	SERBIA		

ETCH REV.	C1
-----------	----

SIGNATURES	DATE	TITLE	NUMBER	REV
DRN. J. CUNNINGHAM		digital		
CHK'D.				
MECH. ENG.				
PROJ. ENG.				
PROD.				
SCALE 2/1	SIZE CODE	D	LA	
SHT. 1 OF 2	NUMBER	M7555-0-0		
NEXT HIGHER ASSY. B-DO-M7555-0-0				

THE DRAWING AND THE SPECIFICATIONS CONTAINED HEREIN ARE UNCLASSIFIED AND UNPROTECTABLE. THEY ARE THE PROPERTY OF DIGITAL EQUIPMENT CORPORATION AND SHALL BE REMOVED OR COVERED OR UNCLASSIFIED OR DECLASSIFIED AS THE BASIS FOR THE MARK, REPRODUCTION OR SALE OF THIS DRAWING WITHOUT WRITTEN PERMISSION. THIS DRAWING PUBLISHED HEREIN IS UNCLASSIFIED UNDER THE FEDERAL COPYRIGHT LAW. 1985

ECO #1

COMPONENT ADDS

LIFT E5-P2
 ADD 1/4" TUBING P/N 90-07256-11 TO ONE SIDE OF R38
 56 OHM RES. P/N 13-02602-00.
 SOLDER RESISTER LEG WITH TUBING TO THE E5.2.
 SOLDER THE OTHER RESISTER LEG TO THE E5.2 PIN FEED-THRU.
 REPEAT OPERATION FOR R39 CONNECTING IT TO E34.2.

LIFT LEG OF D2 NEXT TO R22, PLACE WIRE WRAP POST IN THE FEED THRU HOLE BOTTOM UP.
 SOLDER DIODE LEG TO THE POST.
 SOLDER D5 RIGHT ON TOP OF D2 (REVERSE POLARITY).
 ADD TO 4.12K RES. 1/4 TUBING SOLDER TO POST ON D2. SOLDER THE OTHER LEG TO FEED THRU OF DELETED C2 (LEFT SIDE).
 SOLDER 390 PF TO THE POST AND TACK SOLDER THE OTHER LEG TO R21 FEED THRU NEXT TO C6.

WIRE ADDS

ADD 30 AWG WIRE ON SIDE 2 FROM FEED THRU R22 NEXT TO ETCH CUT (SIDE 1) TO E3.13 (PTH UNDER R25).
 ADD WIRE FROM E29.2 TO W-17 (SIDE 2).

ECO M7555 ML003

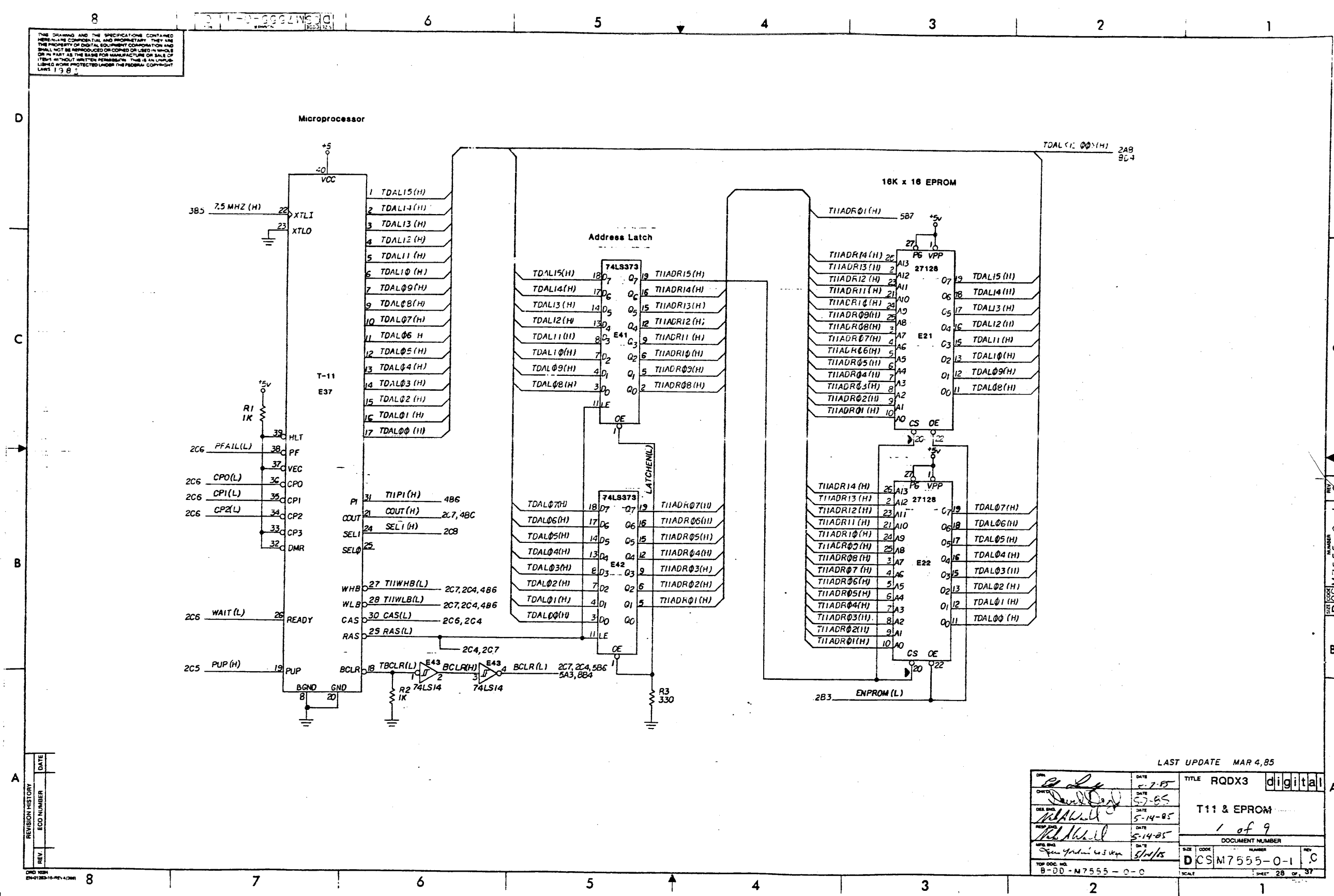
- COMPONENT DELETES SIDE 1 (AS SHOWN)
- 3-1 DELETE COMPONENT E21 PART 23-46E5-00
- 3-2 DELETE COMPONENT E22 PART 23-217E5-00
- COMPONENT ADDS SIDE 1 (AS SHOWN)
- 3-3 ADD COMPONENT E21 PART 23-243E5-00
- 3-4 ADD COMPONENT E22 PART 23-244E5-00

REVISION HISTORY		
REV	ECO NUMBER	DATE

TITLE
RQDX3

DOCUMENT NUMBER		
SIZE CODE	NUMBER	REV
DUA	M7555-0-0	C
SCALE	SHEET 2	OF 2

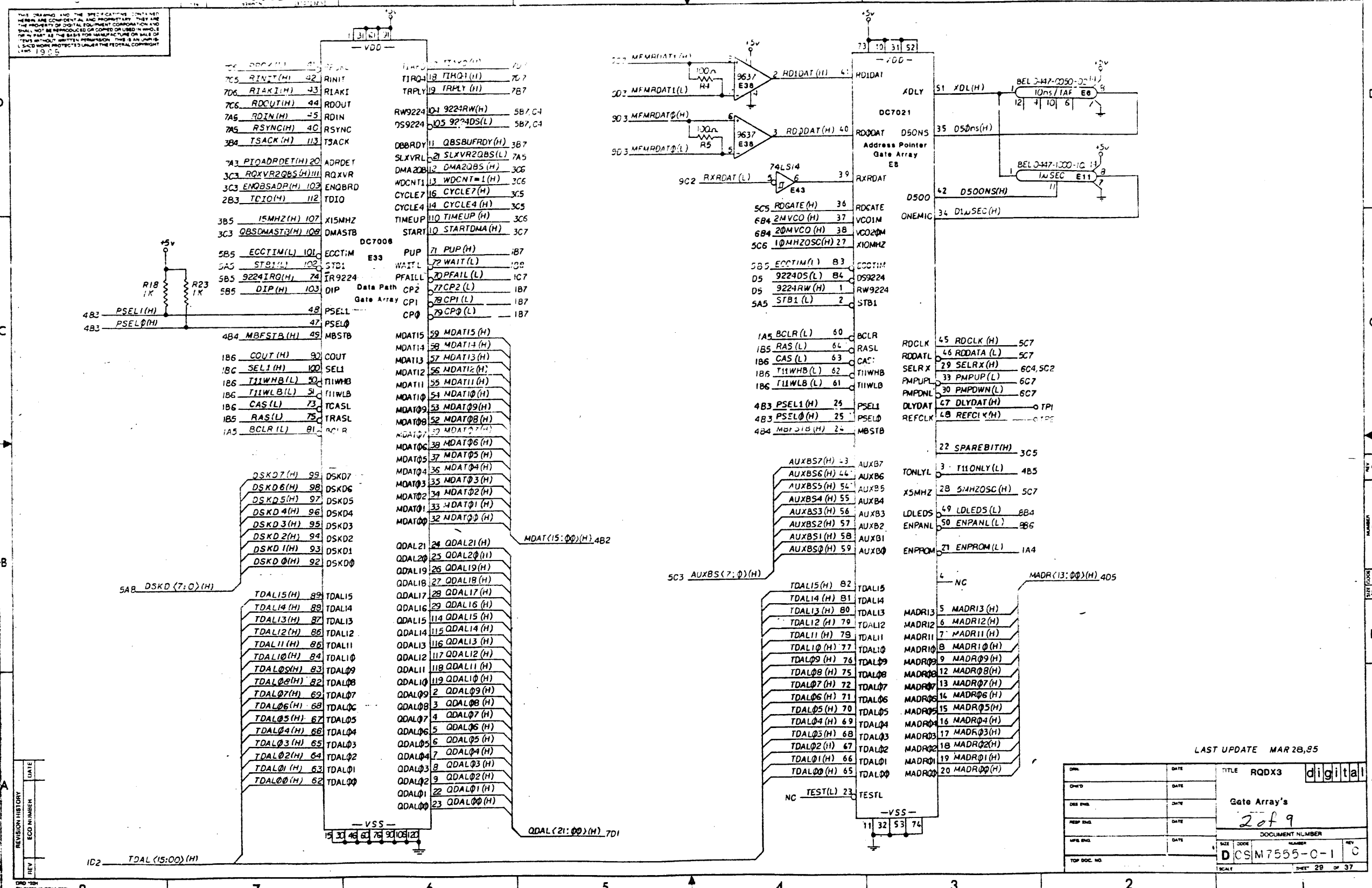
THIS DRAWING AND THE SPECIFICATIONS CONTAINED HEREIN ARE CONFIDENTIAL AND PROPRIETARY. THEY ARE THE PROPERTY OF DIGITAL EQUIPMENT CORPORATION AND SHALL NOT BE REPRODUCED OR COPIED OR USED IN WHOLE OR IN PART AS THE BASIS FOR MANUFACTURE OR SALE OF ITEMS WITHOUT WRITTEN PERMISSION. THIS IS AN UNLAWFUL ACT PROTECTED UNDER THE FEDERAL COPYRIGHT LAWS 17 U.S.C.



REV	ECO NUMBER	DATE

LAST UPDATE MAR 4, 85		TITLE RQDX3 digital	
DESIGNER	DATE 5-15-85	T11 & EPROM	
DESIGNER	DATE 5-14-85	1 of 9	
DESIGNER	DATE 5-14-85	DOCUMENT NUMBER	
DESIGNER	DATE 5/14/85	D CSM7555-0-1 .C	
TOP DOC NO. B-DD-N7555-0-0		SCALE SHEET 28 OF 37	

THIS DRAWING AND THE SPECIFICATIONS CONTAINED HEREIN ARE CONFIDENTIAL AND PROPRIETARY. THEY ARE THE PROPERTY OF DIGITAL EQUIPMENT CORPORATION AND SHALL NOT BE REPRODUCED OR COPIED IN WHOLE OR IN PART, OR THE BASIS FOR MANUFACTURE OR SALE OF THIS OR ANY OTHER PRODUCT, WITHOUT WRITTEN PERMISSION. THIS IS AN UNCLASSIFIED WORK PRODUCT UNDER THE FEDERAL COPYRIGHT LAW, 1976.

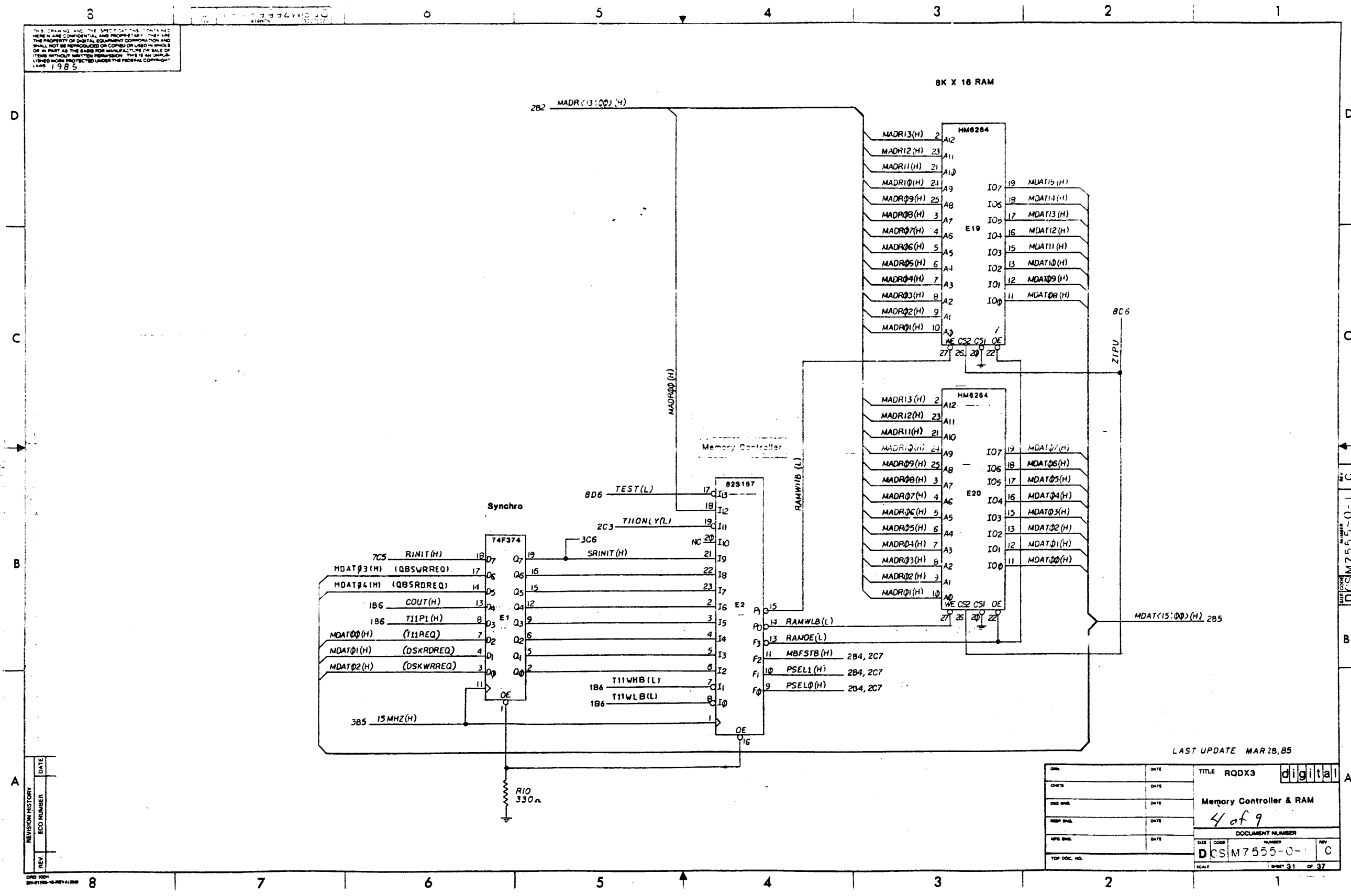


REV	DATE	DESCRIPTION

DATE		TITLE	RQDX3 digital
DATE		Gate Array's	
DATE		2 of 9	
DATE		DOCUMENT NUMBER	
DATE		DCS M7555-0-1	
DATE			
DATE			

DC S M7555-0-1 C
 REV 1
 DATE MAR 28, 85
 SHEET 29 OF 37

THIS DRAWING AND THE SPECIFICATIONS CONTAINED HEREIN ARE CONFIDENTIAL AND PROPRIETARY. THEY ARE THE PROPERTY OF DIGITAL EQUIPMENT CORPORATION AND SHALL NOT BE REPRODUCED OR COPIED OR USED IN WHOLE OR IN PART AS THE BASIS FOR MANUFACTURE OR SALE OF ITEMS WITHOUT WRITTEN PERMISSION. THIS IS AN UNCLASSIFIED WORK PROTECTED UNDER THE FEDERAL COPYRIGHT LAWS 1985.



LAST UPDATE MAR 28, 85

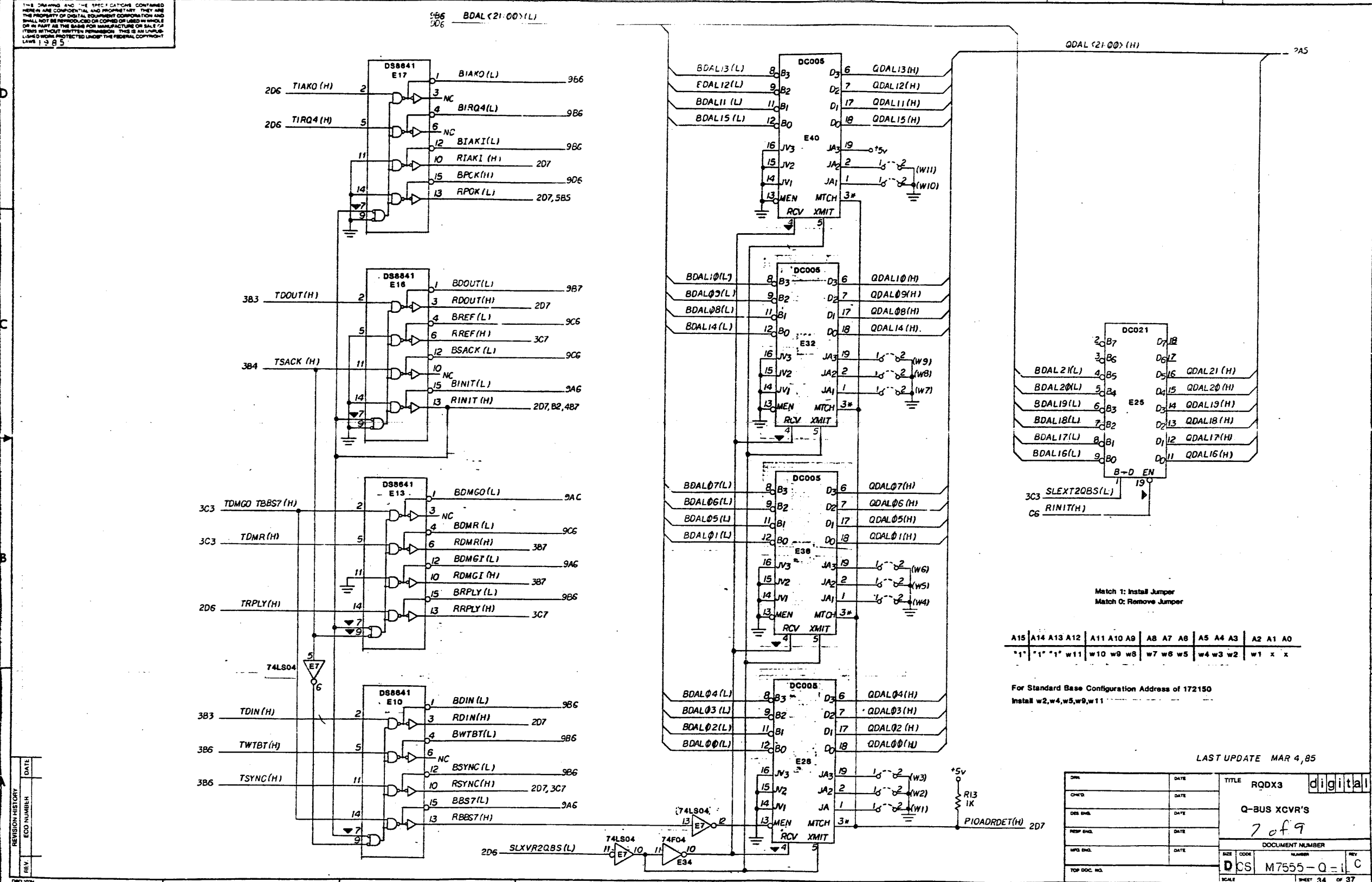
REV.	ECO NUMBER	DATE

OWN.	DATE	TITLE	digital
		RQDX3	
		Memory Controller & RAM	
		4 of 9	
		DOCUMENT NUMBER	
		DCS M7555-0-1	C
		SHEET 31	OF 37

DCS M7555-0-1 C

THIS DRAWING AND THE SPECIFICATIONS CONTAINED HEREIN ARE CONFIDENTIAL AND PROPRIETARY. THEY ARE THE PROPERTY OF DIGITAL EQUIPMENT CORPORATION AND SHALL NOT BE REPRODUCED OR COPIED IN WHOLE OR IN PART AS THE BASIS FOR MANUFACTURE OR SALE OF ITEMS WITHOUT WRITTEN PERMISSION. THIS IS AN UNCLASSIFIED WORK PROTECTED UNDER THE FEDERAL COPYRIGHT LAWS 1-3-83

01-0-9957W DCS

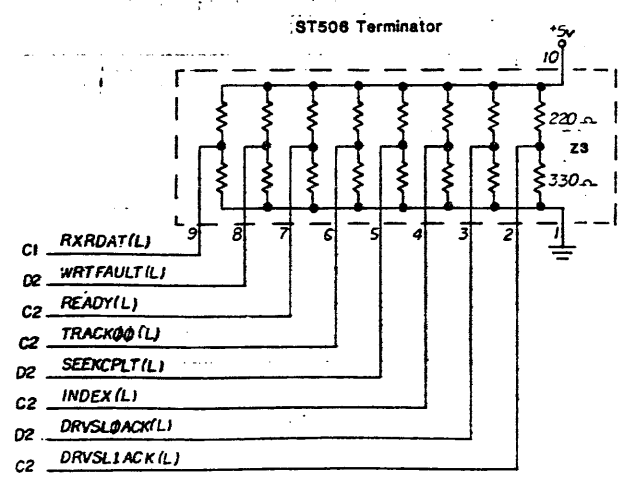
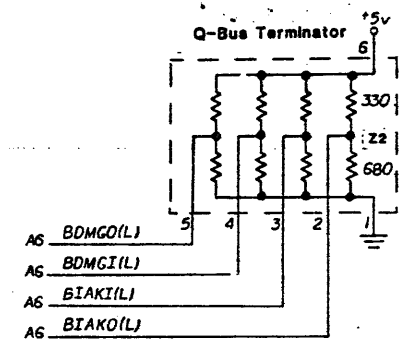
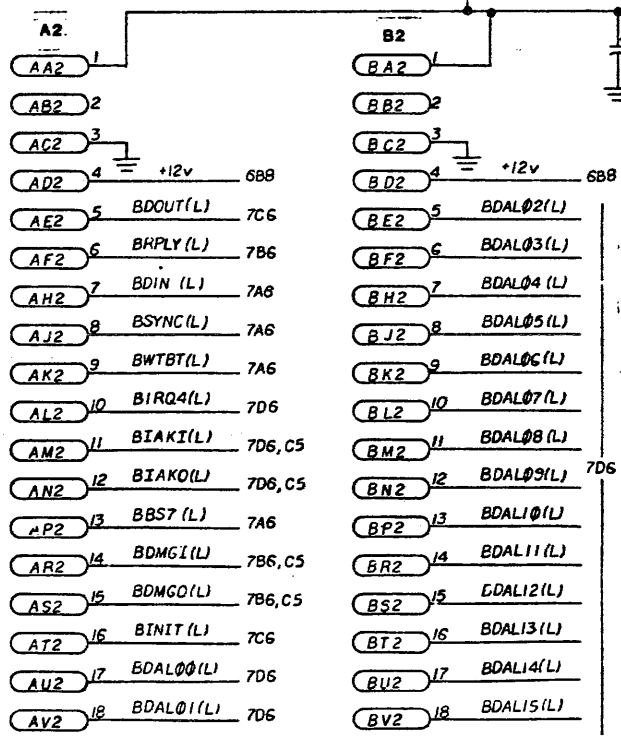
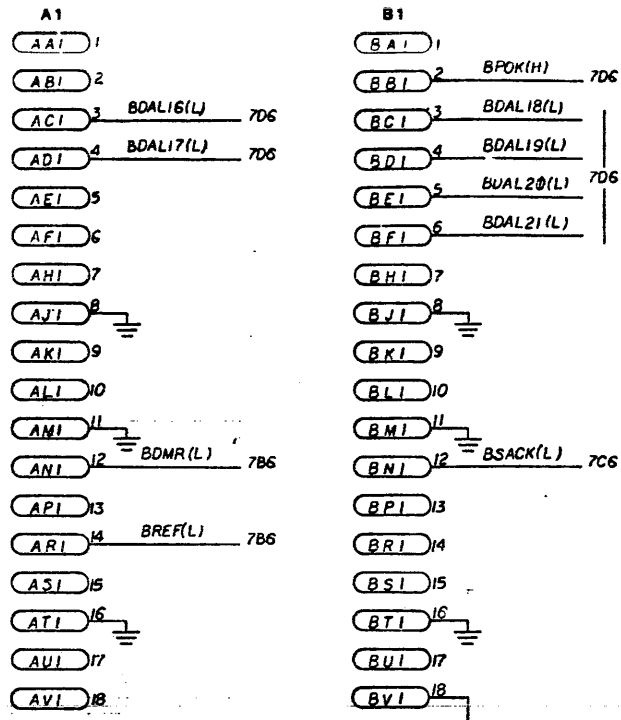


REVISION HISTORY

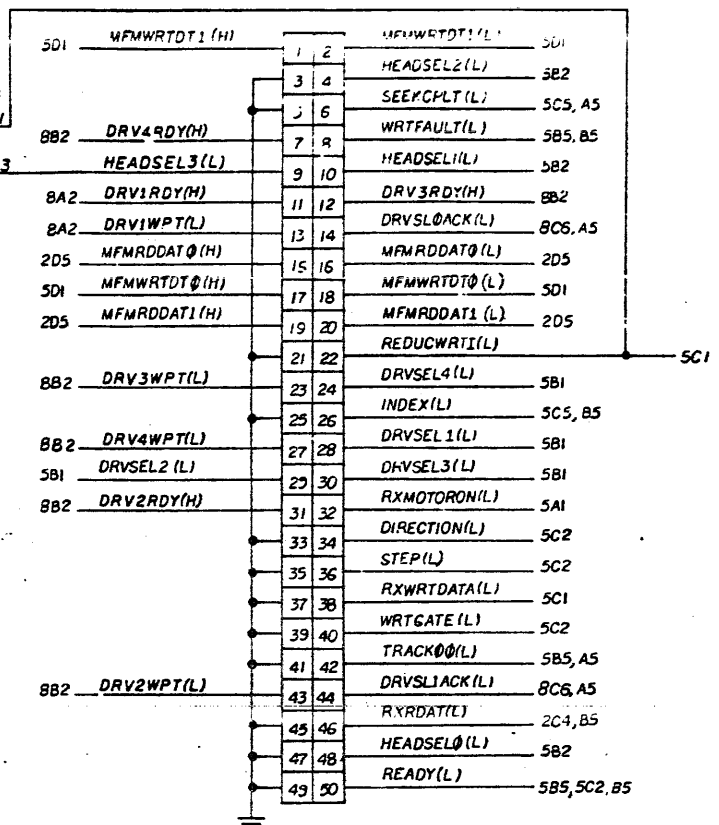
REV	ECO NUMBER	DATE

THIS DRAWING AND THE SPECIFICATIONS CONTAINED HEREIN ARE CONFIDENTIAL AND PROPRIETARY. THEY ARE THE PROPERTY OF DIGITAL EQUIPMENT CORPORATION AND SHALL NOT BE REPRODUCED OR COPIED OR USED IN WHOLE OR IN PART AS THE BASIS FOR MANUFACTURE OR SALE OF ITEMS WITHOUT WRITTEN PERMISSION. THIS IS AN UNCLASSIFIED DOCUMENT PROTECTED UNDER THE FEDERAL COPYRIGHT LAW, 1985.

Q-Bus Edge Card Fingers



J01 (To Distribution Board)



REVISION HISTORY

REV.	ECO NUMBER	DATE

LAST UPDATE MAR 4, 85

DATE	DATE	TITLE	digital
DATE	DATE	Edge Card Fingers & Connectors	9 of 9
DATE	DATE	DOCUMENT NUMBER	
DATE	DATE	SIZE CODE NUMBER	D CS M7555-0-L C
DATE	DATE	SHEET	36 of 37

THIS DRAWING AND SPECIFICATIONS HEREIN ARE THE PROPERTY OF DIGITAL EQUIPMENT CORPORATION AND SHALL NOT BE REPRODUCED OR COPIED OR USED IN WHOLE OR IN PART AS THE BASIS FOR THE MANUFACTURE OR SALE OF ITEMS WITHOUT WRITTEN PERMISSION.
COPYRIGHT © 1976 DIGITAL EQUIPMENT CORPORATION

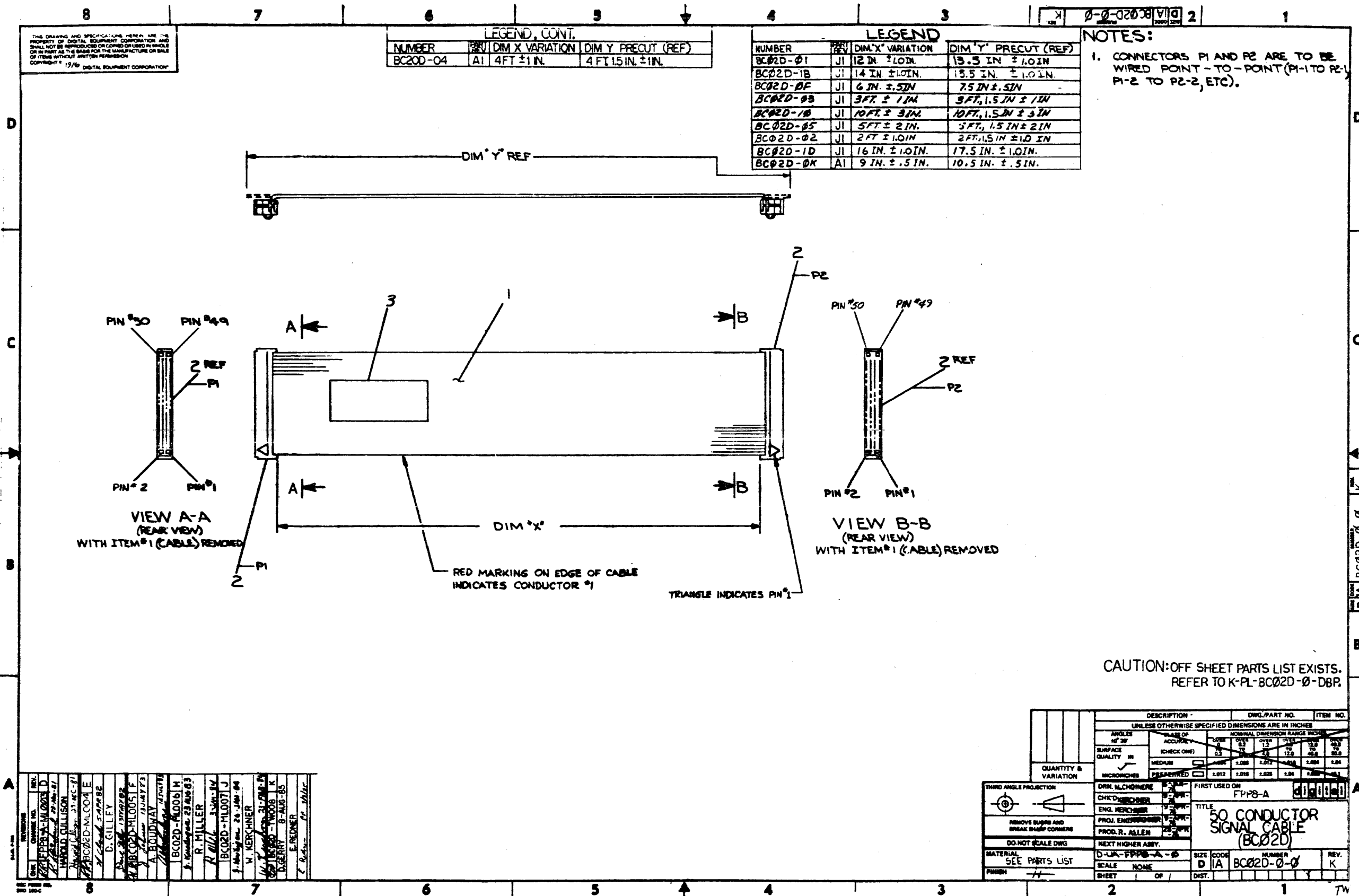
LEGEND, CONT.

NUMBER	DIM X VARIATION	DIM Y PRECUT (REF)
BC02D-04	A1 4 FT ± 1 IN.	4 FT 15 IN. ± 1 IN.

LEGEND

NUMBER	PREV	DIM X VARIATION	DIM Y PRECUT (REF)
BC02D-01	J1	12 IN. ± 1.0 IN.	13.5 IN. ± 1.0 IN.
BC02D-1B	J1	14 IN. ± 1.0 IN.	15.5 IN. ± 1.0 IN.
BC02D-0F	J1	6 IN. ± .5 IN.	7.5 IN. ± .5 IN.
BC02D-03	J1	3 FT ± 1 IN.	3 FT, 1.5 IN. ± 1 IN.
BC02D-1B	J1	10 FT ± 3 IN.	10 FT, 1.5 IN. ± 3 IN.
BC02D-05	J1	5 FT ± 2 IN.	5 FT, 1.5 IN. ± 2 IN.
BC02D-02	J1	2 FT ± 1.0 IN.	2 FT, 1.5 IN. ± 1.0 IN.
BC02D-1D	J1	16 IN. ± 1.0 IN.	17.5 IN. ± 1.0 IN.
BC02D-0K	A1	9 IN. ± .5 IN.	10.5 IN. ± .5 IN.

NOTES:
1. CONNECTORS P1 AND P2 ARE TO BE WIRED POINT-TO-POINT (P1-1 TO P2-1, P1-2 TO P2-2, ETC).



CAUTION: OFF SHEET PARTS LIST EXISTS. REFER TO K-PL-BC02D-0-DBP.

REV	DESCRIPTION	DATE
1	ISSUED FOR PRODUCTION	28 JAN 76
2	REVISED TO ADD DIMENSIONS	12 FEB 76
3	REVISED TO ADD DIMENSIONS	12 FEB 76
4	REVISED TO ADD DIMENSIONS	12 FEB 76
5	REVISED TO ADD DIMENSIONS	12 FEB 76
6	REVISED TO ADD DIMENSIONS	12 FEB 76
7	REVISED TO ADD DIMENSIONS	12 FEB 76
8	REVISED TO ADD DIMENSIONS	12 FEB 76

DESCRIPTION	QTY	UNIT	DESCRIPTION	QTY	UNIT
50 CONDUCTOR SIGNAL CABLE (BC02D)	1	EA			

DESCRIPTION	QTY	UNIT	DESCRIPTION	QTY	UNIT
CONNECTOR P1	1	EA	CONNECTOR P2	1	EA

DESCRIPTION	QTY	UNIT	DESCRIPTION	QTY	UNIT
50 CONDUCTOR SIGNAL CABLE (BC02D)	1	EA			

LINE ITEM	TOP DOCUMENT	PART NUMBER	MIN REV	DESCRIPTION	QTY PER VARIATION										
					01	1B	0F	03	10	05	02	1D	OK	04	
					VARIATION REVISION LEVEL:	J1	J1	J1	J1	J1	J1	J1	J1	A1	A1
1	1	SEE NOTE		9107747-04	CABLE,RIBBON BOND 50COND 30AWG	14	16	8	38	122	62	26	18	11	50
2	2			1211664-00	CONN,IDC 50POS(1X25).100CC GOL	2	2	2	2	2	2	2	2	2	2
3	3			3616073-00	LABEL,ID W/COPY VERTICAL	1	1	1	1	1	1	1	1	1	1

4 NOTE: QUANTITY OF ITEMS 1 IS GIVEN IN INCHES

REVISION HISTORY			BASIC PART NO: BC02D	DRN: M. CHOINERE	DATE: 6-JAN-76	D I G I T A L			
ENG	ECO NUMBER	REV	SECTION A OF A	CHK'D: W. KERCHNER	DATE: 9-APR-76	TITLE PARTS LIST 50 COND. SIGNAL (BC02D)			
HC	FPP8-A-ML003	D	SECTION VARIATION INDEX	DES.ENG: W. KERCHNER	DATE: 9-APR-76	DOCUMENT NUMBER -			
DG	BC02D-ML004	E	(A)01,1B,0F,03,10,05,	RESP.ENG.: W. KERCHNER	DATE: 9-APR-76	SIZE	CODE	NUMBER	REV
AB	BC02D-ML005	F	02,1D,OK,04	MFG.ENG.: R. ALLEN	DATE: 28-APR-76	K	PL	BC02D-0-DBP	K
RM	BC02D-ML006	H	(B)	ASSEMBLY NUMBER:	TOP DOCUMENT NUMBER:	FILE NAME:		EDIT #	
WK	BC02D-ML007	J	(C)	D-IA-BC02D-0-0	D-UA-FPP8-A-0	Z3423K.PLS		3	
ER	BC02D-TW008	K	(D)			RELEASE DATE: 10-SEP-85			
			(E)						
			(F)						

"THIS DRAWING AND THE SPECIFICATIONS CONTAINED HEREIN ARE CONFIDENTIAL AND PROPRIETARY. THEY ARE THE PROPERTY OF DIGITAL EQUIPMENT CORPORATION AND SHALL NOT BE REPRODUCED OR COPIED OR USED IN WHOLE OR IN PART AS THE BASIS FOR THE MANUFACTURE OR SALE OF ITEMS WITHOUT WRITTEN PERMISSION. THIS IS AN UNPUBLISHED WORK PROTECTED UNDER THE FEDERAL COPYRIGHT LAWS."