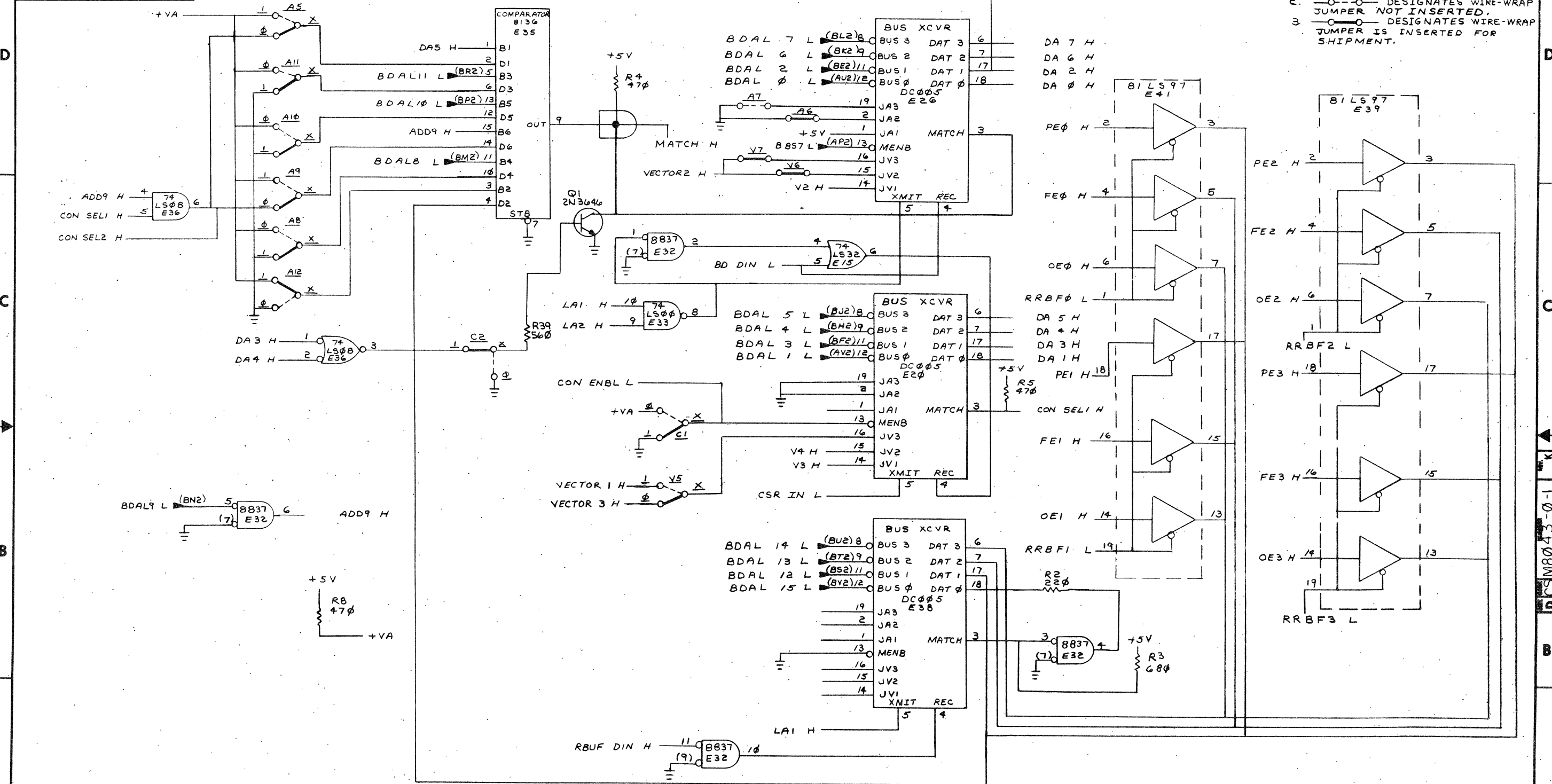


"THIS DRAWING AND SPECIFICATIONS, HEREIN, ARE THE PROPERTY OF DIGITAL EQUIPMENT CORPORATION AND SHALL NOT BE REPRODUCED OR COPIED OR USED IN WHOLE OR IN PART AS THE BASIS FOR THE MANUFACTURE OR SALE OF ITEMS WITHOUT WRITTEN PERMISSION. COPYRIGHT © 1978, DIGITAL EQUIPMENT CORPORATION"

NOTES:
 1. UNDERLINED TERM DESIGNATES LABEL IN ETCH.
 2. DESIGNATES WIRE-WRAP JUMPER NOT INSERTED.
 3. DESIGNATES WIRE-WRAP JUMPER IS INSERTED FOR SHIPMENT.

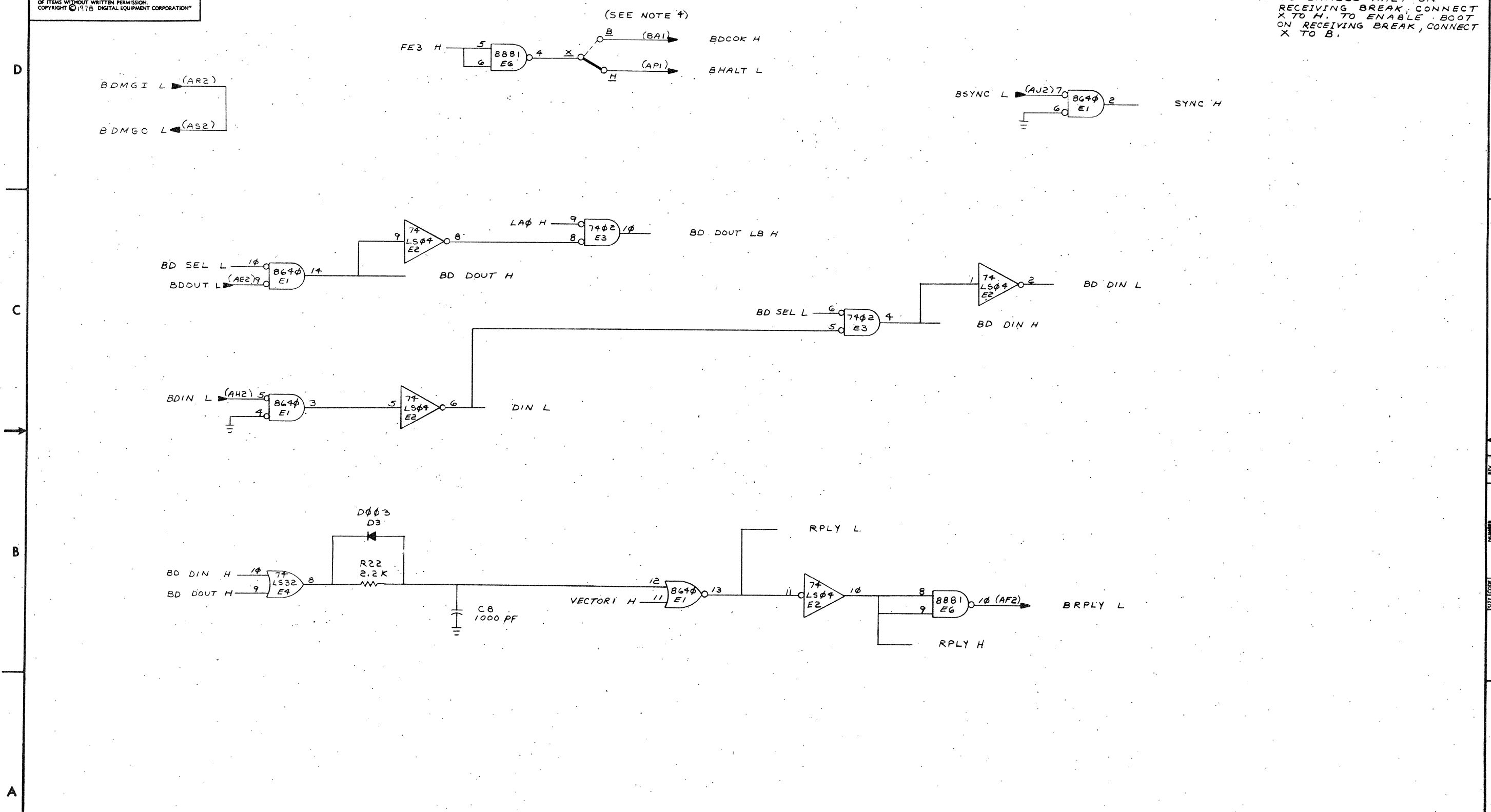


REV.	CHG.	NO.	BY	DATE
1	1	1	T. ZAJAC	1/17/77
2	1	1	T. ZAJAC	1/17/77
3	1	1	T. ZAJAC	1/17/77
4	1	1	T. ZAJAC	1/17/77
5	1	1	T. ZAJAC	1/17/77
6	1	1	T. ZAJAC	1/17/77
7	1	1	T. ZAJAC	1/17/77
8	1	1	T. ZAJAC	1/17/77

KI:BUS ADDRESS/DATA LOGIC	
DRN. <i>Wilson</i>	FIRST USED ON DLVII-J
CHK'D <i>Wilson</i>	
ENG. <i>Wilson</i>	
PROJ. ENG. <i>Wilson</i>	
PROD. <i>Wilson</i>	
NEXT HIGHER ASSY.	
B-DD-M8043-0	TITLE 4 SERIAL LINE PER. CTRL.
SCALE NONE	SIZE CODE D
SHEET 1 OF 7	NUMBER 1
DIST.	REV. K

"THIS DRAWING AND SPECIFICATIONS, HEREIN, ARE THE PROPERTY OF DIGITAL EQUIPMENT CORPORATION, AND SHALL NOT BE REPRODUCED OR COPIED OR USED IN WHOLE OR IN PART AS THE BASIS FOR THE MANUFACTURE OR SALE OF ITEMS WITHOUT WRITTEN PERMISSION. COPYRIGHT © 1976 DIGITAL EQUIPMENT CORPORATION"

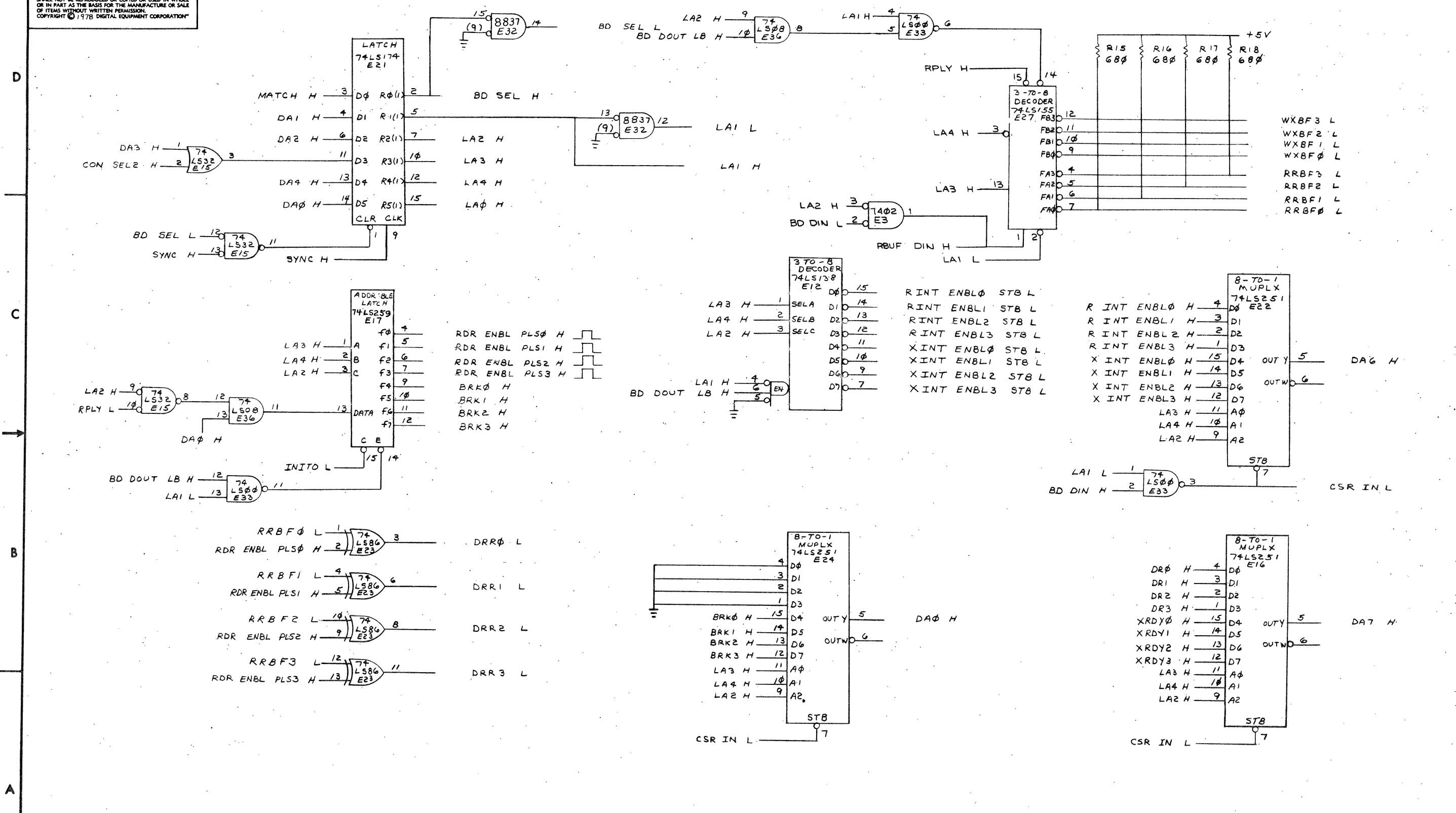
NOTES:
 4. TO ENABLE HALT ON RECEIVING BREAK, CONNECT X TO H. TO ENABLE BOOT ON RECEIVING BREAK, CONNECT X TO B.



REVISIONS		
CHK	CHANGE NO.	REV.

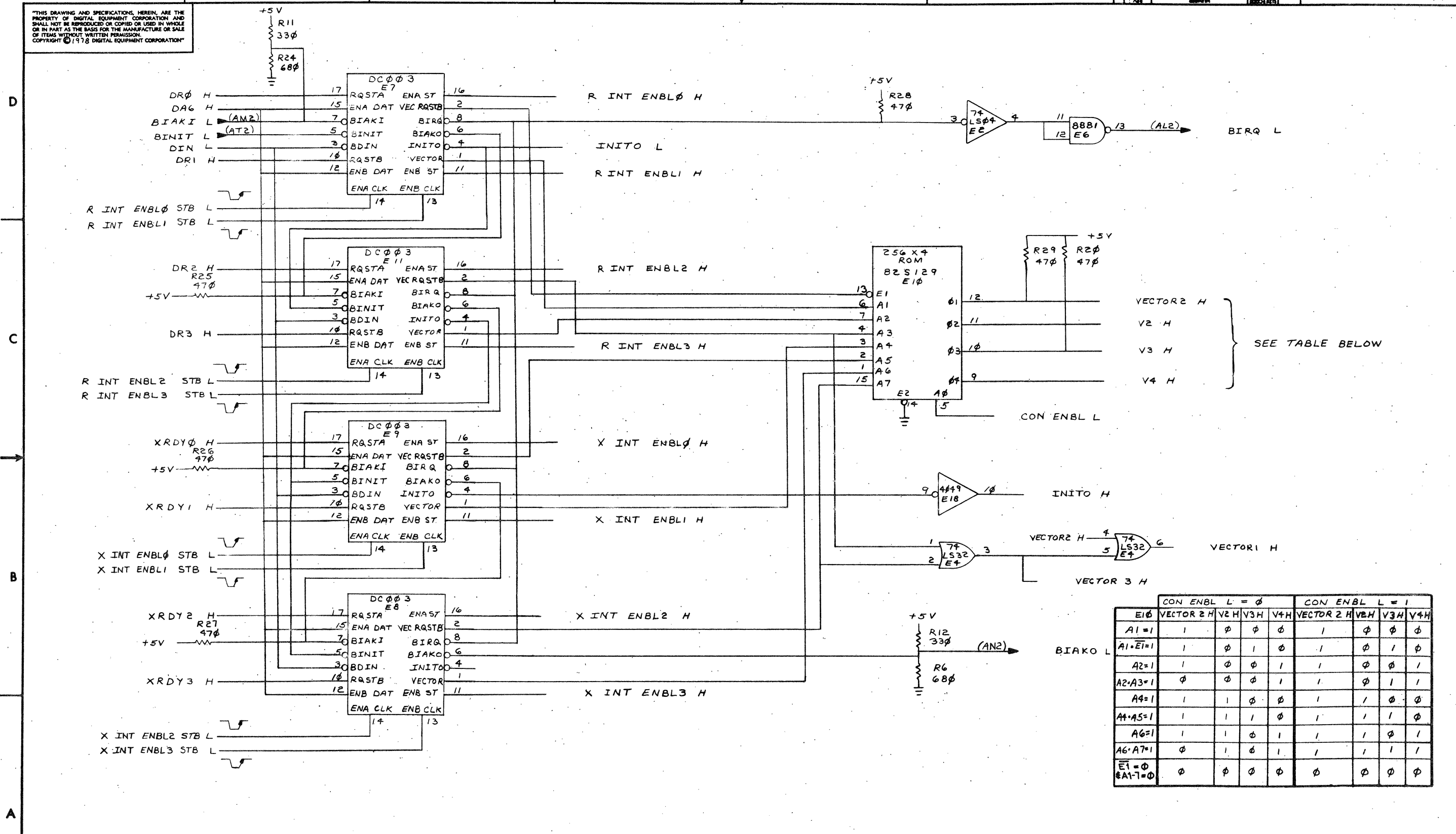
DCS M8043-0-1 K

THIS DRAWING AND SPECIFICATIONS, HEREIN, ARE THE PROPERTY OF DIGITAL EQUIPMENT CORPORATION AND SHALL NOT BE REPRODUCED OR COPIED OR USED IN WHOLE OR IN PART AS THE BASIS FOR THE MANUFACTURE OR SALE OF ITEMS WITHOUT WRITTEN PERMISSION. COPYRIGHT © 1978 DIGITAL EQUIPMENT CORPORATION



REVISIONS		
CHK	CHANGE NO.	REV.

"THIS DRAWING AND SPECIFICATIONS HEREIN ARE THE PROPERTY OF DIGITAL EQUIPMENT CORPORATION AND SHALL NOT BE REPRODUCED OR COPIED OR USED IN WHOLE OR IN PART AS THE BASIS FOR THE MANUFACTURE OR SALE OF ITEMS WITHOUT WRITTEN PERMISSION. COPYRIGHT © 1978 DIGITAL EQUIPMENT CORPORATION"



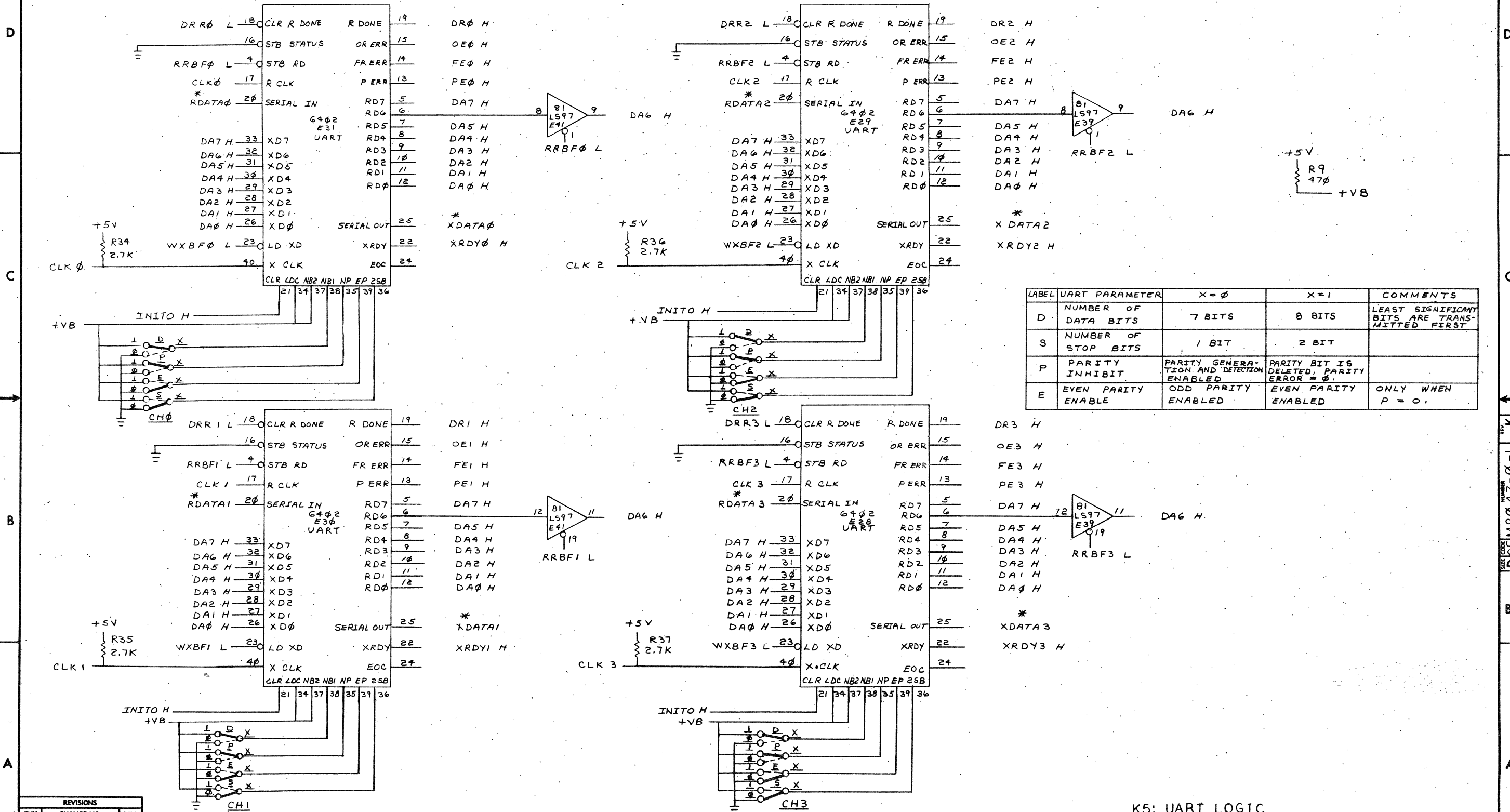
SEE TABLE BELOW

E10	CON ENBL L = 0				CON ENBL L = 1			
	VECTOR 2 H	V2 H	V3 H	V4 H	VECTOR 2 H	V2 H	V3 H	V4 H
A1=1	1	0	0	0	1	0	0	0
A1·E1=1	1	0	1	0	1	0	1	0
A2=1	1	0	0	1	1	0	0	1
A2·A3=1	0	0	0	1	1	0	1	1
A4=1	1	1	0	0	1	1	0	0
A4·A5=1	1	1	1	0	1	1	1	0
A6=1	1	1	0	1	1	1	0	1
A6·A7=1	0	1	0	1	1	1	1	1
E1=0	0	0	0	0	0	0	0	0
E1·A1=0	0	0	0	0	0	0	0	0

REVISIONS		
CHK	CHANGE NO.	REV.

NOTES:
 * S. V HIGH = MARK = 1
 V LOW = SPACE = 0

"THIS DRAWING AND SPECIFICATIONS, HEREIN, ARE THE PROPERTY OF DIGITAL EQUIPMENT CORPORATION AND SHALL NOT BE REPRODUCED OR COPIED OR USED IN WHOLE OR IN PART AS THE BASIS FOR THE MANUFACTURE OR SALE OF ITEMS WITHOUT WRITTEN PERMISSION. COPYRIGHT © 1978 DIGITAL EQUIPMENT CORPORATION"



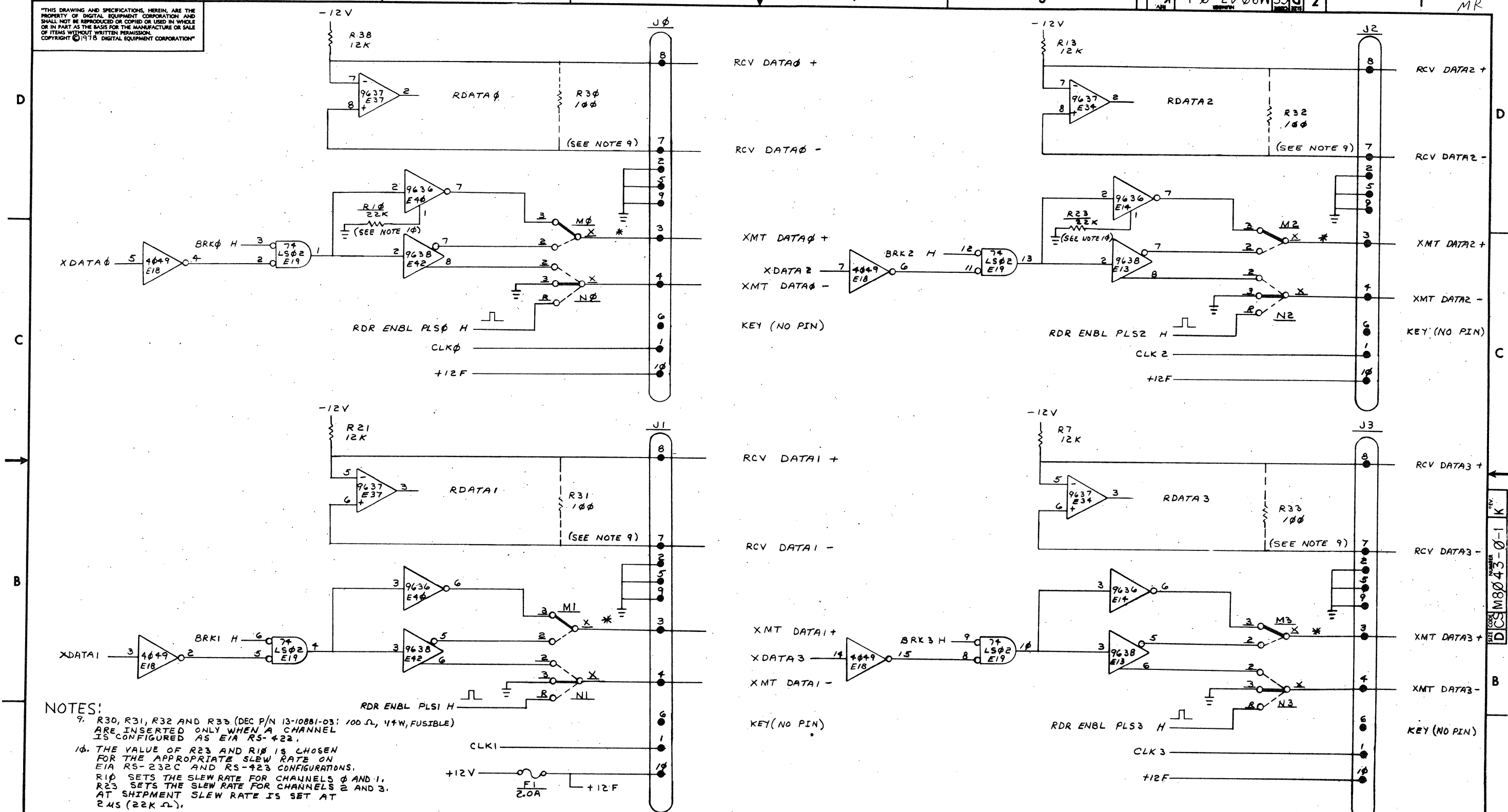
LABEL	UART PARAMETER	X=0	X=1	COMMENTS
D	NUMBER OF DATA BITS	7 BITS	8 BITS	LEAST SIGNIFICANT BITS ARE TRANSMITTED FIRST
S	NUMBER OF STOP BITS	1 BIT	2 BIT	
P	PARITY INHIBIT	PARITY GENERATION AND DETECTION ENABLED	PARITY BIT IS DELETED, PARITY ERROR = 0	
E	EVEN PARITY ENABLE	ODD PARITY ENABLED	EVEN PARITY ENABLED	ONLY WHEN P = 0

K5; UART LOGIC

CHK	CHANGE NO.	REV.

REV. K NUMBER DCS M8043-0-1

"THIS DRAWING AND SPECIFICATIONS, HEREIN, ARE THE PROPERTY OF DIGITAL EQUIPMENT CORPORATION AND SHALL NOT BE REPRODUCED OR COPIED OR USED IN WHOLE OR IN PART AS THE BASIS FOR THE MANUFACTURE OR SALE OF ITEMS WITHOUT WRITTEN PERMISSION. COPYRIGHT © 1978 DIGITAL EQUIPMENT CORPORATION"

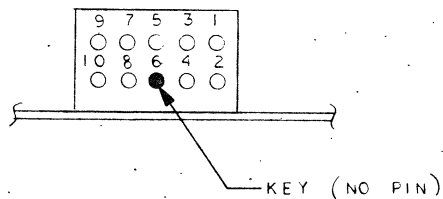


- NOTES:
- R30, R31, R32 AND R33 (DEC P/N 13-10881-03; 100 Ω, 1/4W, FUSIBLE) ARE INSERTED ONLY WHEN A CHANNEL IS CONFIGURED AS EIA RS-422.
 - THE VALUE OF R23 AND R10 IS CHOSEN FOR THE APPROPRIATE SLEW RATE ON EIA RS-232C AND RS-423 CONFIGURATIONS. R10 SETS THE SLEW RATE FOR CHANNELS 0 AND 1. R23 SETS THE SLEW RATE FOR CHANNELS 2 AND 3. AT SHIPMENT SLEW RATE IS SET AT 2 NS (22K Ω).
 - LOW = MARK = 1
HIGH = SPACE = 0

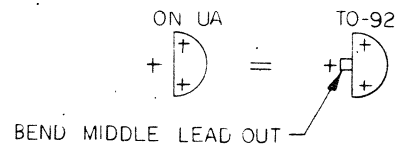
REVISIONS		
CHK	CHANGE NO.	REV.

THIS DRAWING AND SPECIFICATIONS, HEREIN, ARE THE PROPERTY OF AERIAL EQUIPMENT CORPORATION AND SHALL NOT BE REPRODUCED OR COPIED IN WHOLE OR IN PART OR THE MANNER FOR THE CONSTRUCTION OR SALE OF ITEMS WITHOUT WRITTEN PERMISSION. AERIAL EQUIPMENT CORPORATION
 © 1961

11 0-0-3708W 00 1 MR



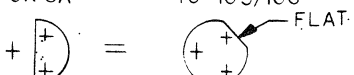
NOTES:
 1. PLACEMENT OF Q1 FOR TO 92 (LEADS IN-LINE)



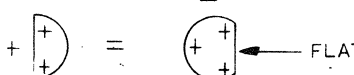
FOR TO 18 PKG (METAL CAN)
 ON UA TO-18



FOR TO-105/106 PKG (ROUND TOP PLASTIC)
 ON UA TO-105/106



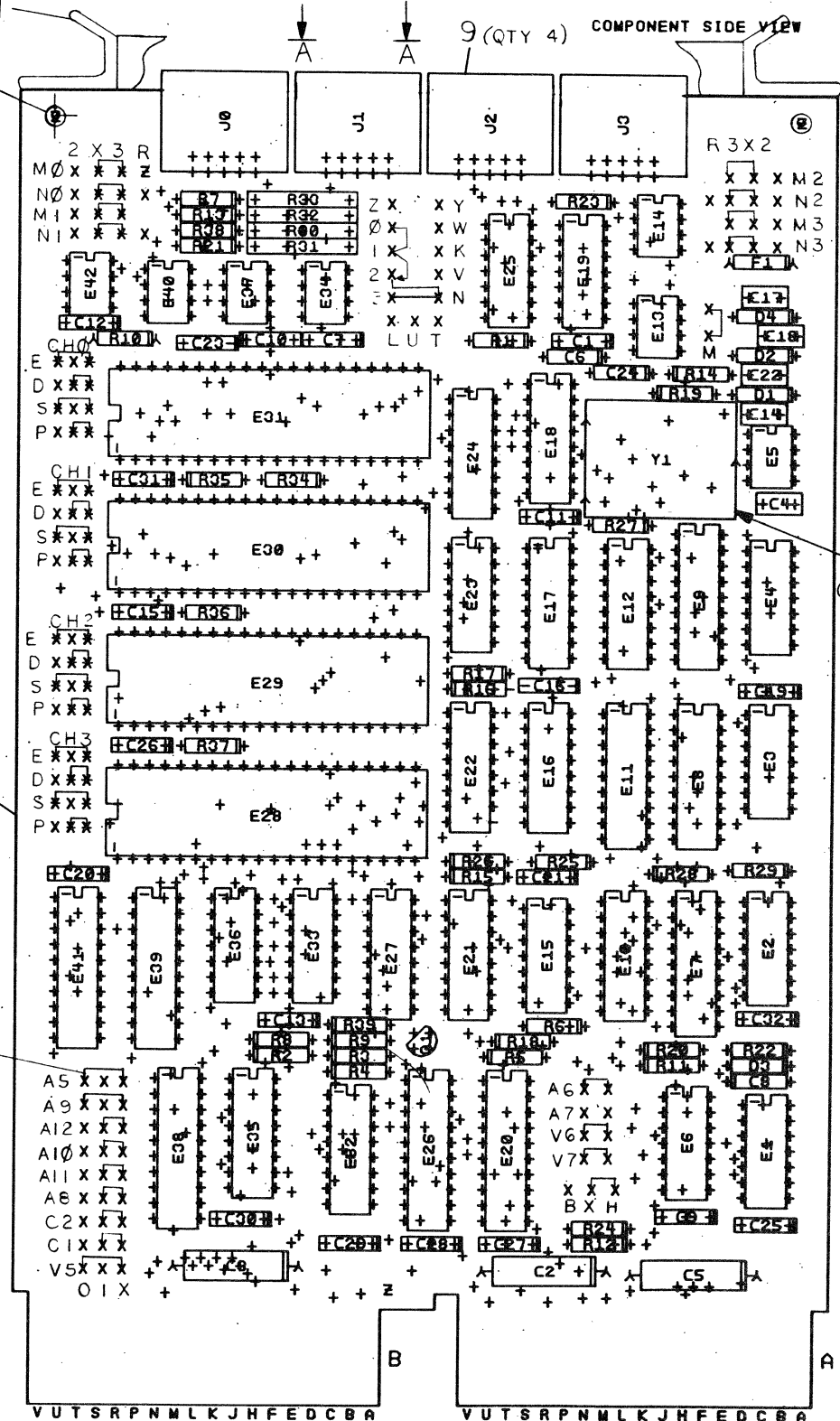
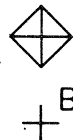
FOR LEADS IN TRIANGULAR PATTERN
 ON UA Δ PAT



NOTE: DIFFERENCE TO-92 Δ PAT



DETAIL A-A
 4 PLACES



NOTES: 1. R30 THRU R33 OPTIONAL
 2. CASE OF Y1 MUST BE INSULATED FROM PCB WITH ITEM #53
 3. * DESIGNATES WIRE WRAP JUMPER (ITEM #56) INSULATED FOR SHIPMENT

CHG	NO	REV	BY	DATE
17	M8043-MR003	E	T. ZAJAC	17.5.77
18	M8043-MR4	F	BRYAN LOCKE	18.11.77
19	M8043-MR5	H	R. GALLEGOS	19.11.77
20	M8043-MR6	J	B. LOCKE	20.11.77

ETCH REV.	E-PI
P.C. DESIGN DATA BASE REV.	C

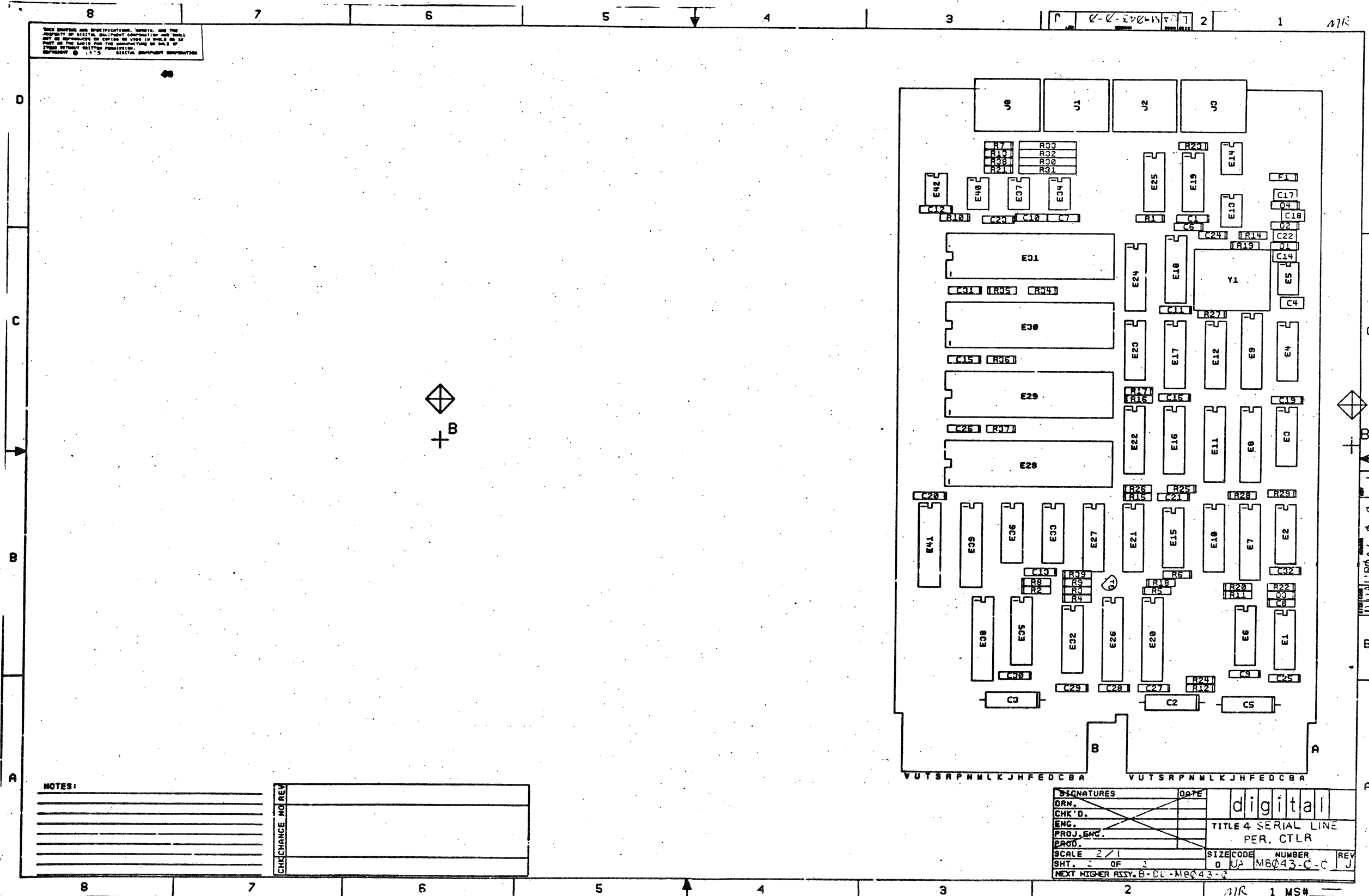
SIGNATURES	DATE
DRN. B. ...	5/2/77
CHK'D. ...	12/11/77
ENG. ...	18.11.77
PROJ. ENG. ...	18.11.77
PROD. K. MERCADE	21MAY78

digital

TITLE 4 SERIAL LINE
 PER. CTRLR

SCALE 2/1
 SHT. 1 OF 2
 NEXT HIGHER ASSY. B-DD-M8043-0

SIZE CODE NUMBER
 D UA M8043-0-0 J



THIS DRAWING AND SPECIFICATIONS, HEREIN, ARE THE PROPERTY OF DIGITAL EQUIPMENT CORPORATION AND SHALL NOT BE REPRODUCED OR COPIED IN ANY MANNER OR BY ANY MEANS WITHOUT THE WRITTEN PERMISSION OF DIGITAL EQUIPMENT CORPORATION.

NOTES:

CHK	CHANGE	NO	REV

SIGNATURES		DATE	digital
DRN.			
CHK'D.			TITLE 4 SERIAL LINE PER. CTRLR
ENG.			
PROJ. ENG.			SCALE 2/1 SHT. 0 OF 3
PROD.			
SIZE	CODE	NUMBER	REV
NEXT HIGHER ASSY. B-DU-M8043-3			

AIR 1 MS#