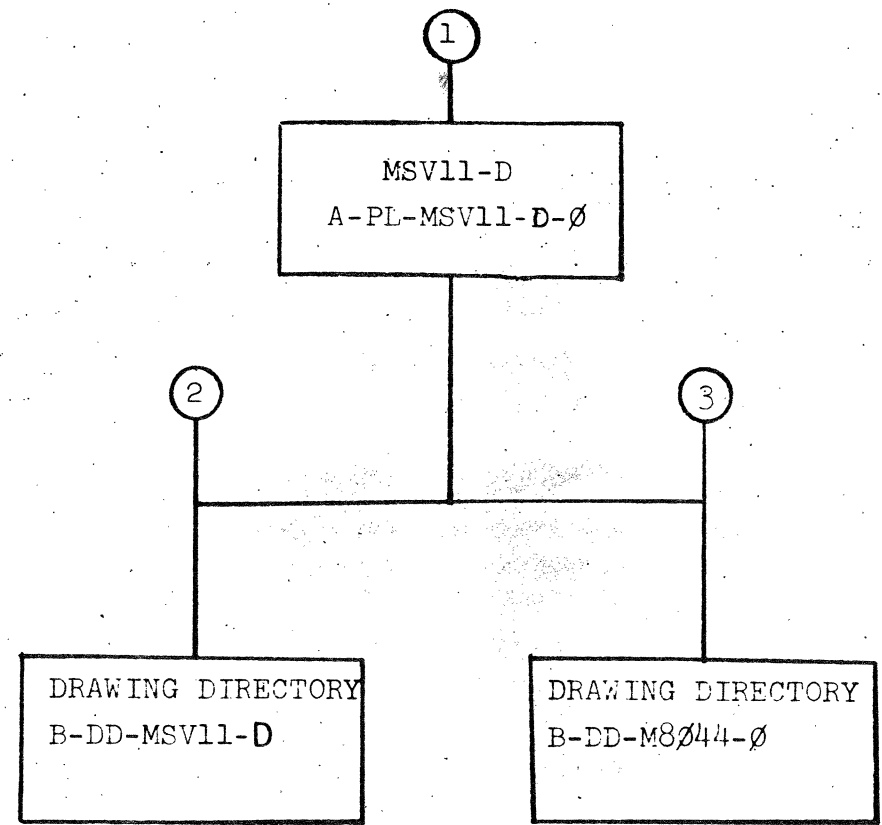


"THIS DRAWING AND SPECIFICATIONS, HEREIN, ARE THE PROPERTY OF DIGITAL EQUIPMENT CORPORATION AND SHALL NOT BE REPRODUCED OR COPIED OR USED IN WHOLE OR IN PART AS THE BASIS FOR THE MANUFACTURE OR SALE OF ITEMS WITHOUT WRITTEN PERMISSION.
COPYRIGHT ©1977 DIGITAL EQUIPMENT CORPORATION"



FIND NO.	DRAWING NO.	DESCRIPTION	TYPE	FIND NO.	DRAWING NO.	DESCRIPTION	TYPE
	MP00566	FIELD MAINTENANCE PRINT SET (MP)	-				
	B-TC-MSV11-D-1	FIELD MAINTENANCE PRINT SET (TC)	-				
1	A-PL-MSV11-D-0	PARTS LIST (MSV11-D)	E/M				
	D-BD-MSV11-D-4	MSV11D/E BLOCK DIAGRAM	E				
	D-FD-MSV11-D-5	MSV11 D/E FLOW DIAGRAM	E				
	D-TD-MSV11-D-6	MSV11 D/E TIMING DIAGRAM	E				
	A-SP-MSV11-D-3	MSV11-D SYSTEM SPECIFICATION	E/M				
	A-PL-MSV11-D-7	MSV11-D SHIPPING LIST	-				
	EK-MSVID-OP-001	USERS MANUAL	E/M				
	D-CC-MSV11-D-10	MSV11-D 32K MOS MEMORY	E				
2	B-DD-MSV11-D	DRAWING DIRECTORY MSV11-D MOS MEMORY SYSTEM	E/M				
3	B-DD-M8044-0	DRAWING DIRECTORY (M8044) MODULE	E/M				

TYPE: E ELECTRICAL
M MECHANICAL
E/M ELECTRO/MECHANICAL



TITLE DRAWING DIRECTORY MOS MEM.
MSV11-D (32K X 16) SYSTEM

SHEET 3 OF 3

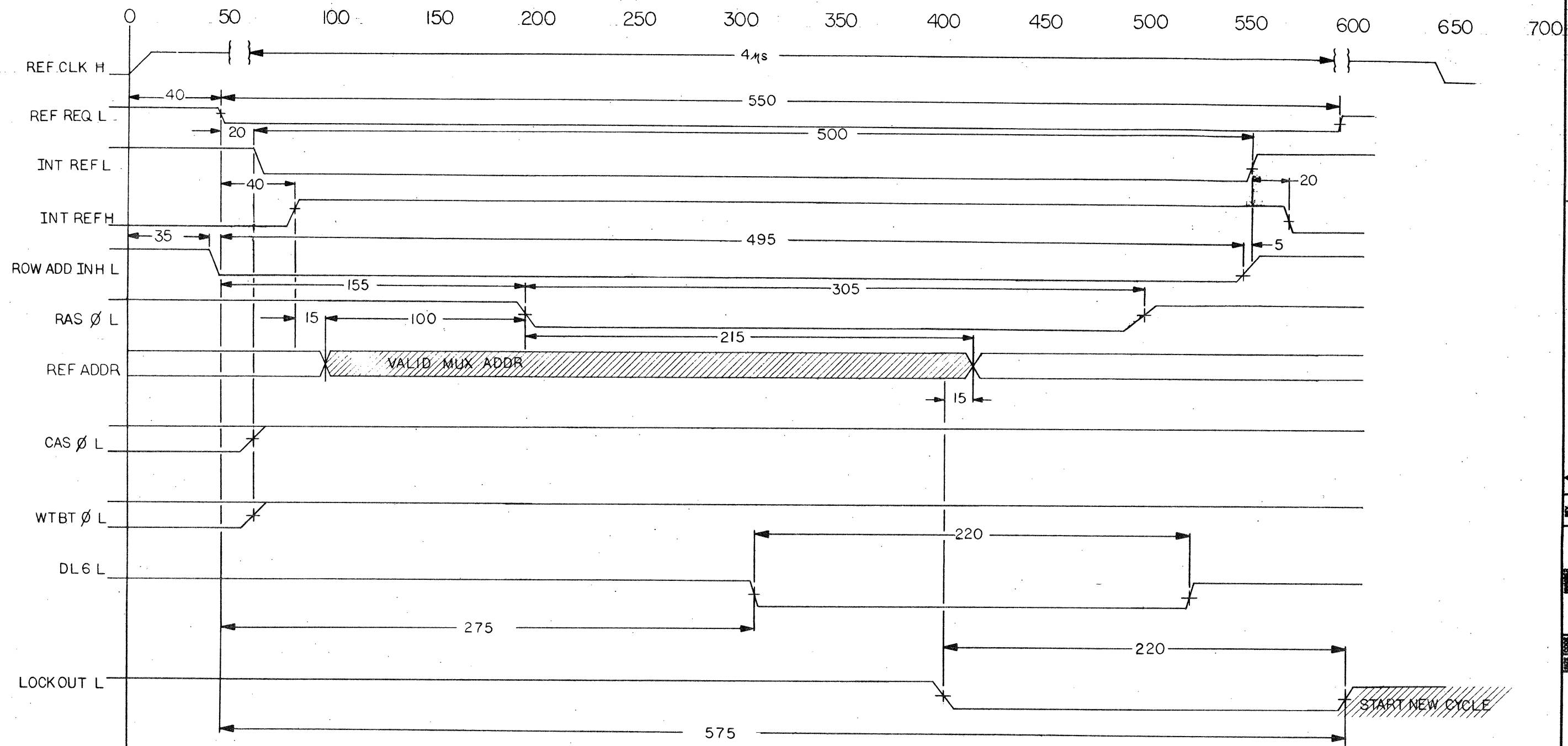
SIZE CODE B DD

NUMBER MSV11-D

REV A

THIS DRAWING AND SPECIFICATIONS, HEREIN, ARE THE PROPERTY OF DIGITAL EQUIPMENT CORPORATION AND SHALL NOT BE REPRODUCED OR COPIED OR USED IN WHOLE OR IN PART AS THE BASIS FOR THE MANUFACTURE OR SALE OF ITEMS WITHOUT WRITTEN PERMISSION.
 COPYRIGHT © 1977, DIGITAL EQUIPMENT CORPORATION

REFRESH CYCLE



$t_{\text{CYCLE}} = 575 \text{ NS (TYP)}; 600 \text{ NS (MAX)}$

DRN. E. DeVito	IT (MDV7)	FIRST USED ON	
CHK'D R. Given	2-21-78	TITLE	MSVII D/E TIMING DIAGRAM
ENG. R. Given	2-21-78	SIZE	D TD
PROJ. ENG. R. Given	2-21-78	NUMBER	MSVII-D-6
PROD. R. Math	2-21-78	REV.	
NEXT HIGHER ASSY.		SCALE	1 OF 4
B-DD-MSVII-D/E		DIST.	

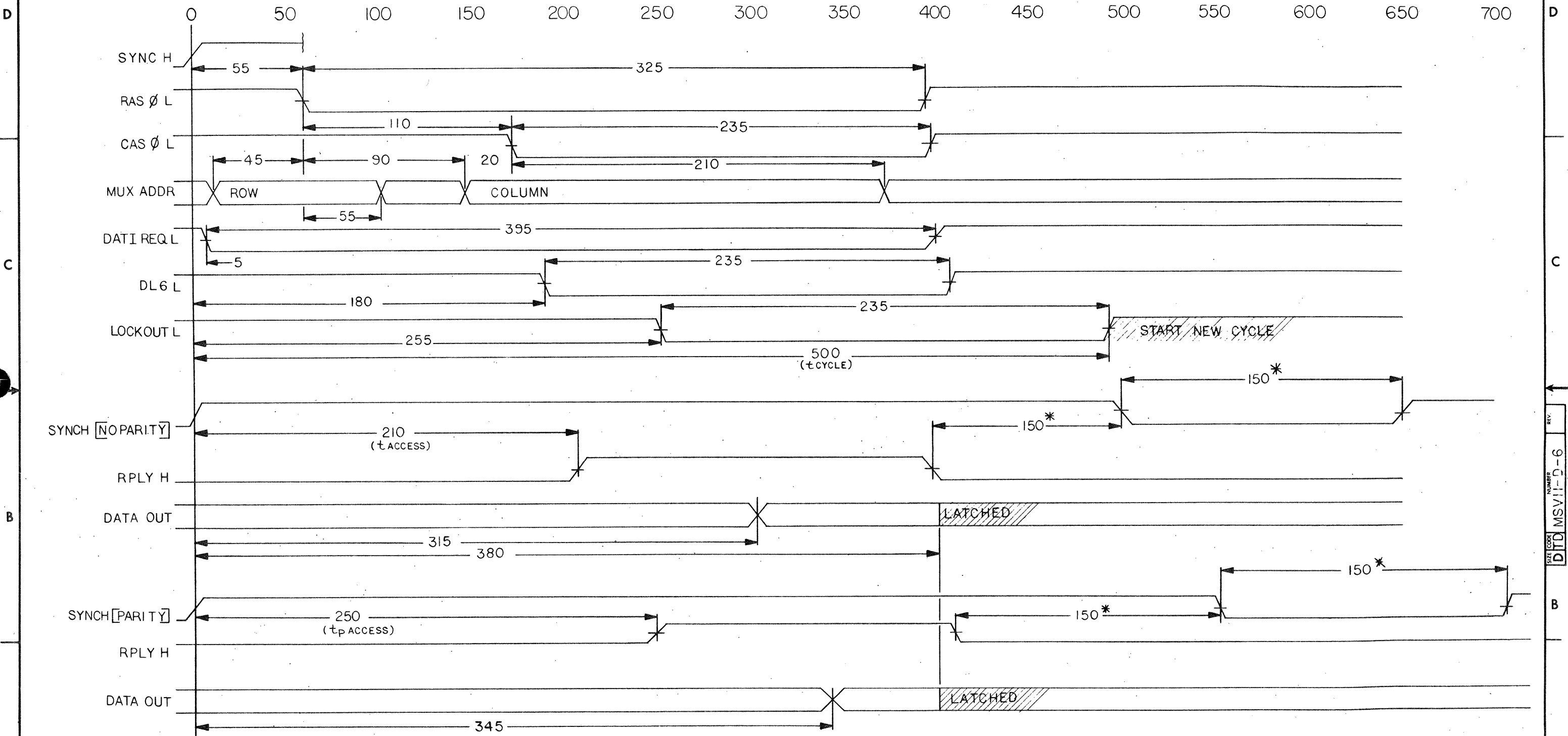
REV.	CHANGE NO.	CHK.

MSVII-D-6

digital

"THIS DRAWING AND SPECIFICATIONS, HEREIN, ARE THE PROPERTY OF DIGITAL EQUIPMENT CORPORATION AND SHALL NOT BE REPRODUCED OR COPIED OR USED IN WHOLE OR IN PART AS THE BASIS FOR THE MANUFACTURE OR SALE OF ITEMS WITHOUT WRITTEN PERMISSION. COPYRIGHT © 1977 DIGITAL EQUIPMENT CORPORATION"

DATA CYCLE

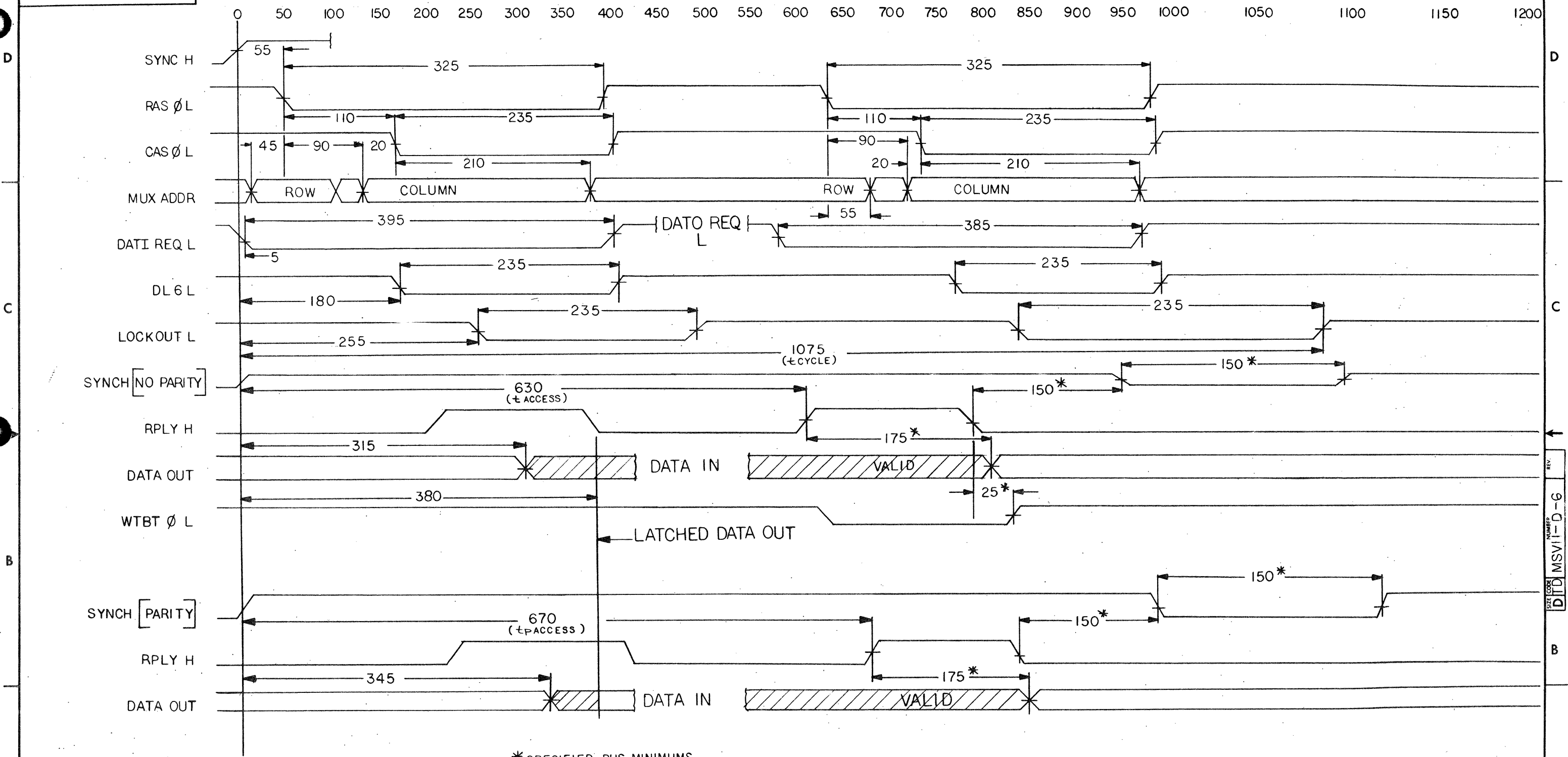


* SPECIFIED BUS MINIMUMS :
 $t_{ACCESS} = 210\text{ NS (TYP) ; } 225\text{ NS (MAX)}$
 $t_{pACCESS} = 250\text{ NS (TYP) ; } 265\text{ NS (MAX)}$
 $t_{CYCLE} = 500\text{ NS (TYP) ; } 520\text{ NS (MAX)}$

REVISIONS		
CHK	CHANGE NO.	REV.

DATIO (B) CYCLE

"THIS DRAWING AND SPECIFICATIONS, HEREIN, ARE THE PROPERTY OF DIGITAL EQUIPMENT CORPORATION AND SHALL NOT BE REPRODUCED OR COPIED OR USED IN WHOLE OR IN PART AS THE BASIS FOR THE MANUFACTURE OR SALE OF ITEMS WITHOUT WRITTEN PERMISSION. COPYRIGHT © 1977 DIGITAL EQUIPMENT CORPORATION"

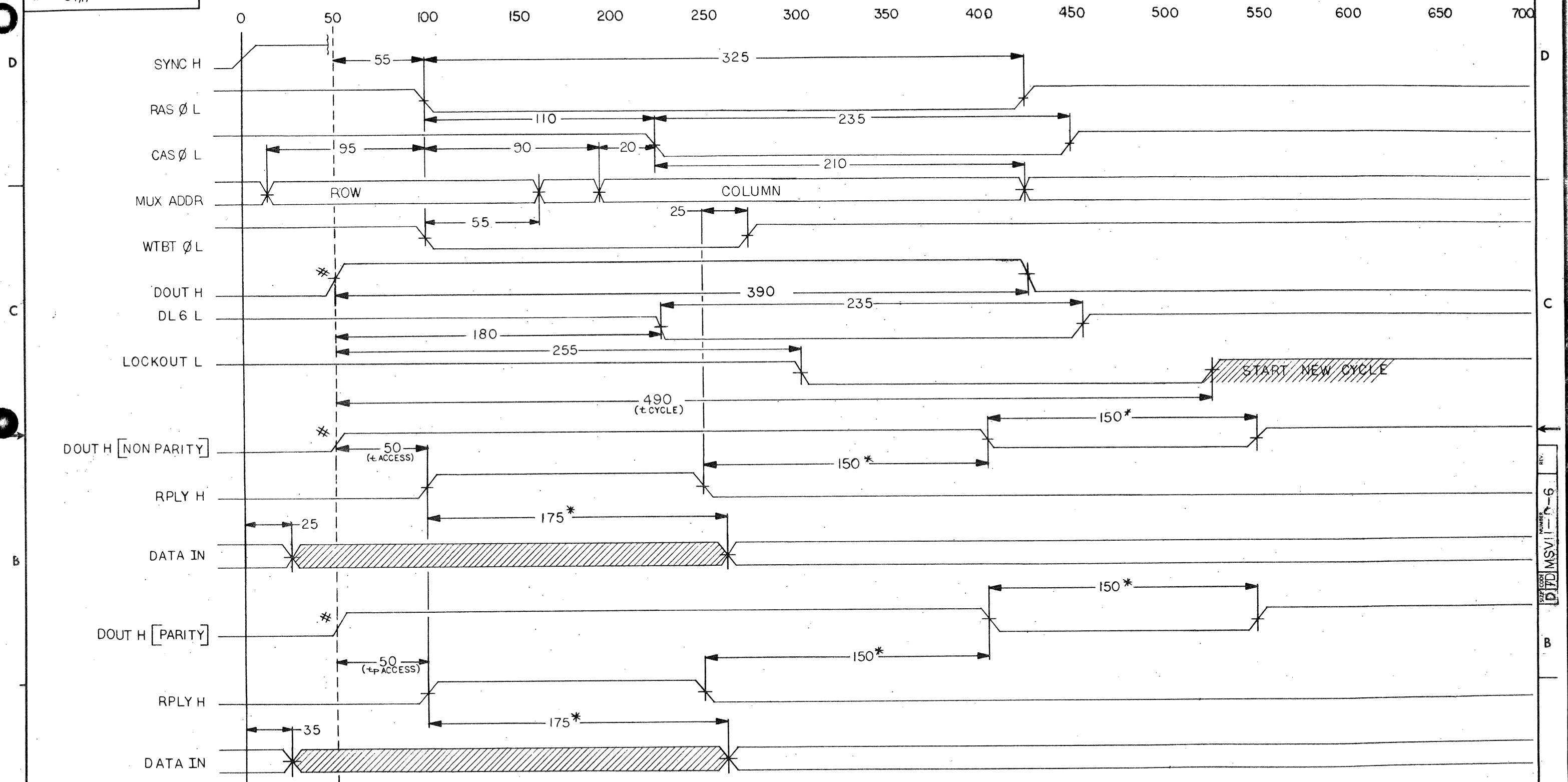


*SPECIFIED BUS MINIMUMS
 t_{ACCESS} = 630 ns (TYP); 650 ns (MAX)
 t_{PACCESS} = 670 ns (TYP); 690 ns (MAX)
 t_{CYCLE} = 1075 ns (TYP); 1100 ns (MAX)
 t_{P CYCLE} = 1115 ns (TYP); 1140 ns (MAX)

REVISIONS		
CHK	CHANGE NO.	REV.

"THIS DRAWING AND SPECIFICATIONS, HEREIN, ARE THE PROPERTY OF DIGITAL EQUIPMENT CORPORATION AND SHALL NOT BE REPRODUCED OR COPIED OR USED IN WHOLE OR IN PART AS THE BASIS FOR THE MANUFACTURE OR SALE OF ITEMS WITHOUT WRITTEN PERMISSION. COPYRIGHT © 1977 DIGITAL EQUIPMENT CORPORATION"

DATA (B) CYCLE



* SPECIFIED BUS MINIMUMS
 # TIME DEPENDENT ON PROCESSOR
 t_{ACCESS} = 100 NS (TYP); 110 NS (MAX)
 $t_{PACCESS}$ = 100 NS (TYP); 110 NS (MAX)
 t_{CYCLE} = 545 NS (TYP); 565 NS (MAX)
 SYNC H TO DOUT H SPECIFIED AT A MINIMUM OF 50 NS

REVISIONS		
CHK	CHANGE NO.	REV.

REV. D
NUMBER MB844-β
SIZE CODE DD 8

DRAWING NO.	NO. OF SHTS.	PART NO.	DESCRIPTION	REVISIONS																		
				A	B	C	D	E	F	G	H	I	J	K	L							
B-DD-MB844-β	1		32K X 16 BIT MOS MEMORY	*	A	B	C	D														
D-UA-MB844-β-β	8		32K X 16 BIT MOS MEMORY	B	C	D	D	D														
D-CS-MB844-β-1	7		32K X 16 BIT MOS MEMORY	A	B	C	D	D														
D-MD-5013128-0-0	7		DRILL & ETCH DRAWING	B	C	C	C	C														
		5013128	ETCHED BOARD	C	D	D	D	D														
K-PC-MB845-β-DBC	-		P.C. DESIGN DATA BASE	C	D	D	D	D														
K-PL-MB844-AA-DBP	-		PARTS LIST DATA BASE	-	-	-	-	F														
K-PL-MB844-BA-DBP	-		PARTS LIST DATA BASE	-	-	-	-	F														
K-PL-MB844-CA-DBP	-		PARTS LIST DATA BASE	-	-	-	-	F														
K-PL-MB844-DA-DBP	-		PARTS LIST DATA BASE	-	-	-	-	F														

NOTES:

REVISIONS	DATE	CHG. NO.	REV.	*	A	B	C	D
---	5/78			ORIG	ML001			
	12/78				ML002			
	7/80				ML003			
	10/80				ML004			

"THIS DRAWING AND SPECIFICATIONS, HEREIN, ARE THE PROPERTY OF DIGITAL EQUIPMENT CORPORATION AND SHALL NOT BE REPRODUCED OR COPIED OR USED IN WHOLE OR IN PART AS THE BASIS FOR THE MANUFACTURE OR SALE OF ITEMS WITHOUT WRITTEN PERMISSION.
COPYRIGHT © 1988 DIGITAL EQUIPMENT CORPORATION
DRB 128



USED ON OPTION/MODEL	DRN. K. HCDGSON	2/28/77	TITLE	32K X 16 BIT MOS MEMORY
MSV11-D	CHK'D R. GIVEN	2/21/78	SIZE CODE	DD
	ENG. R. GIVEN	2/21/78	NUMBER	MB844-β
	PROD. R. MARTEL	2/21/78	REV. D	
			SHEET 1 OF 1	

ML2

LINE ITEM	DOCUMENT NUMBER	PART NUMBER	DESCRIPTION	QTY PER VARIATION				REFERENCE DESIGNATOR
				DB	DC	DD	DE	
1	0	D-CS-M8044-0-1	CIRCUIT SCHEMATIC	REF	REF	REF	REF	
2	0	D-UA-M8044-0-0	UNIT ASSEMBLY	REF	REF	REF	REF	
3	0	B-DD-M8044-0-0	DWG DIRECTORY	REF	REF	REF	REF	
4	0	D-MD-5013128-0-0	DRILL & ETCH DWG	REF	REF	REF	REF	
5	1	1010279-00	.47 MFD 25V 20% CER	1	1	1	1	C10
6	2	1001610-00	.01 MFD 50V +80-20% 25U CER	27	27	27	27	C7,C99-C123,C146
7	3	1002627-00	2.2MFD 20V 10% S.TANT	3	3	3	3	C5,C6,C9
8	4	1012121-00	220.0 MMF 100V 1%200PPM MICA	2	2	2	2	C8,C12
9	5	1005306-00	6.8MFD 35V 10% S.TANT	2	2	2	2	C3,C4
10	6	1012219-00	47 MFD 30V +75-10% AL EL	2	2	2	2	C1,C2
11	7	1105275-00	D 672 TR= 15NS PIV= 60V SI	2	2	2	2	D1,D2
12	8	1211164-01	SW,DIP 1P 1A 5POS	1	1	1	1	E2
13	9	1309412-00	18.20 K .25 W 1.0 % RN55D-F10	1	1	1	1	R26
14	10	1309416-00	31.60 K .25 W 1.0 % RN55D-F10	1	1	1	1	R25
15	11	1302957-00	121.0 .25 W 1.0 % RN55D-F10	1	1	1	1	R16
16	12	1300295-00	330.0 .25 W 5.0 % CC	2	2	2	2	R21,R27
17	13	1305126-00	619.0 .25 W 1.0 % RN55D-F10	1	1	1	1	R19
18	14	1303110-00	19.60 .25 W 1.0 % RN55D-F10	1	1	1	1	R18
19	15	1305124-00	287.0 .25 W 1.0 % RN55D-F10	1	1	1	1	R20
20	16	1301874-00	5.60 K .25 W 5.0 % CC	2	2	2	2	R11,R24
21	17	1314636-00	R NETWORK 2-5K 5.0 % 4PIN	3	3	3	3	R4-R6
22	18	1314637-00	R NETWORK 3-22 1.0 % 6PIN	4	4	4	4	R1,R2,R7,R8
23	19	1305123-00	215.0 .25 W 1.0 % RN55D-F10	1	1	1	1	R22
24	20	1301969-00	22.0 .25 W 5.0 % CC	1	1	1	1	R3
25	21	1300365-00	1.0 K .25 W 5.0 % CC	2	2	2	2	R12,R13
26	22	1302874-00	*** THIS ITEM IS NOT USED ***	-	-	-	-	
27	23	1302685-00	909.0 .25 W 1.0 % RN55D-F10	1	1	1	1	R17
28	24	1300271-00	220.0 .25 W 5.0 % CC	2	2	2	2	R14,R15
29	25	1911579-00	8641 TRANSCEIVER,BUS,QUA	6	6	6	6	E1,E8,E51,E57,E63,E69
30	26	1911469-00	DEC 8640 RECEIVER,BUS,QUAD,U	2	2	2	2	E13,E22

REVISION HISTORY		BASIC PART NO: M8044		DRN:	D.MANION	DATE:	12/8/77	D I G I T A L			
ENG	ECO NUMBER	REV	SECTION A OF C	CHK'D:	R.GIVEN	DATE:	2/21/78	TITLE PARTS LIST			
RG	M8044-ML004	F	SECTION VARIATION INDEX	DES.ENG:	R.GIVEN	DATE:	2/21/78	32K 16 BIT MOS MEMORY			
			(A) DB,DC,DD,DE	RESP.ENG.:	R.MARTEL	DATE:	2/21/78	DOCUMENT NUMBER			
			(B) DF,DH,DJ,DK					SIZE:	CODE:	NUMBER	REV
			(C) DL	MFG.ENG.:	R.MARTEL	DATE:	2/21/78	K	PL	M8044-DA-DBP	F
			(D)	ASSEMBLY NUMBER:		TOP DOCUMENT NUMBER:		FILE NAME:		EDIT #	
			(E)	D-UA-M8044-0-0		#B-DD-M8044-0		Z2045F.PLS		9	
			(F)								
			(G)								
			(H)								
			(I)								
			(J)								
			(K)								
			(L)								
			(M)								
			(N)								

"THIS DRAWING AND SPECIFICATIONS HEREIN, ARE THE PROPERTY OF DIGITAL EQUIPMENT CORPORATION AND SHALL NOT BE REPRODUCED OR COPIED OR USED IN WHOLE OR IN PART AS THE BASIS FOR THE MANUFACTURE OR SALE OF ITEMS WITHOUT WRITTEN PERMISSION. COPYRIGHT (C) 1981. DIGITAL EQUIPMENT CORPORATION "

LINE	ITEM	DOCUMENT NUMBER	PART NUMBER	DESCRIPTION	QTY PER VARIATION				REFERENCE DESIGNATOR
					DB	DC	DD	DE	
31	27		1911944-00	555CN TIMER,FUNCT.BLOCK	1	1	1	1	E34
32	28		1912746-00	DEC 74S37 NAND GATE-QUAD 2IN	3	3	3	3	E3,E6,E17
33	29		1910544-00	74S74 FF-D DUAL,EDGE TRIGG	3	3	3	3	E12,E14,E15
34	30		1913670-01	DM 74S373N LATCH,8BIT TRANS	2	2	2	2	E35,E46
35	31		1913670-00	74S373 LATCH 8BIT TRASP TR	3	3	3	3	E29,E40,E70
36	32		1914451-00	74LS393 COUNTER,BINARY,4BIT	1	1	1	1	E23
37	33		1910536-00	74S10 NAND GATE-TRIPLE 3IN	1	1	1	1	E20
38	34		1910537-00	74S11 AND GATE-TRIPLE 3INP	1	1	1	1	E11
39	35		1913462-00	*** THIS ITEM IS NOT USED ***	-	-	-	-	
40	36		1912649-00	LS75 LATCH 4BIT,BISTABLE	1	1	1	1	E16
41	37		1910540-00	74S22 NAND GATE-DUAL 4INPU	1	1	1	1	E19
42	38		1913340-00	74S32 OR GATE-QUAD 2IN	1	1	1	1	E10
43	39		1912388-00	74S02 NOR GATE-QUAD 2IN,PO	1	1	1	1	E7
44	40		1910544-01	74S74-60GG-D DUAL,EDGE TRIG	1	1	1	1	E21
45	41		1912541-00	79M05 VOLT REG,FIX -5V	1	1	1	1	Q1
46	42		1912807-00	LS10 NAND GATE-TRIPLE 3IN	1	1	1	1	E28
47	43		1913777-00	LS240 DRIVER,LINE,OCTAL,T	2	2	2	2	E5,E18
48	44	USED WITH W2,W3	9107771-00	TUBING,STRD WALL,.040ID UL	4	4	4	4	
49	45		9009149-00	PIN, STAKING, P.C. BOARD, .025 X	13	13	13	13	
50	46		9009185-00	JUMPER, WIRE, INSULATED, BLACK B	1	1	1	1	W1
51	47	USE UNDER Q1	9007254-00	TRANSIPADS #10146	1	1	1	1	
52	48		9008337-06	HANDLE, FLIP CHIP, MAGENTA	2	2	2	2	
53	49		9006732-00	EYELET, ROLLED FLANGE, .121 OD X	4	4	4	4	
54	50		9105740-55	WIRE(WRAP)30AWG UL1423	A/R	A/R	A/R	A/R	
55	51		1613120-00	DELAY= 200NS,10TAPS	1	1	1	1	E4
56	52		1010274-01	.22 MFD 50V +80-20% Z5U CER	31	31	31	31	C124-C145,C147-C155
57	53	BLANK		*** THIS ITEM IS NOT USED ***	-	-	-	-	
58	54	BLANK		*** THIS ITEM IS NOT USED ***	-	-	-	-	
59	55		23195F1-00	F1-01	1	1	1	1	E9
60	56	BLANK		*** THIS ITEM IS NOT USED ***	-	-	-	-	
61	57	BLANK		*** THIS ITEM IS NOT USED ***	-	-	-	-	
62	58	BLANK		*** THIS ITEM IS NOT USED ***	-	-	-	-	
63	59	BLANK		*** THIS ITEM IS NOT USED ***	-	-	-	-	
64	60		2116935-01	16K MOS RAM 200NS 1	32	-	-	-	E24-E27,E30-E33,E36-E39,E41-E44, E53-E56,E59-E62,E65-E68,E71-E74
65	61		2114408-01	16K MOS RAM 200NS 1	-	32	-	-	E24-E27,E30-E33,E36-E39,E41-E44, E53-E56,E59-E62,E65-E68,E71-E74
66	62		5013128-00	ETCH BOARD FOR M8045	1	1	1	1	
67	63		9107560-01	WIRE,BUSS,22AWG	A/R	A/R	A/R	A/R	W2,W3
68	64		2114895-01	16K MOS RAM 200NS 1	-	-	32	-	E24-E27,E30-E33,E36-E39,E41-E44, E53-E56,E59-E62,E65-E68,E71-E74
69	65		2114927-01	16K MOS RAM 200NS 1	-	-	-	32	E24-E27,E30-E33,E36-E39,E41-E44, E53-E56,E59-E62,E65-E68,E71-E74
70	66		2114897-01	*** THIS ITEM IS NOT USED ***	-	-	-	-	
71	67		2114567-01	*** THIS ITEM IS NOT USED ***	-	-	-	-	
72	68		2115724-01	*** THIS ITEM IS NOT USED ***	-	-	-	-	
73	69		2117367-01	*** THIS ITEM IS NOT USED ***	-	-	-	-	
74	70		2113825-01	*** THIS ITEM IS NOT USED ***	-	-	-	-	

D	I	G	I	T	A	L	TITLE	SECTION A OF C	SIZE	CODE	DOCUMENT NUMBER	REV
							32K 16 BIT MOS MEMORY		K	PL	M8044-DA-DBP	F

LINE ITEM DOCUMENT NUMBER PART NUMBER DESCRIPTION QTY PER VARIATION
 DB DC DD DE REFERENCE DESIGNATOR

75 NOTE: M8044-DA IS A PRIMARY VARIATION OF THE 32K X 16 BIT SYSTEM (NOT A MODULE TYPE).
 76 NOTE: M8044-DB,DC,DD,DE,DF,DH,DJ,DK,DL ARE MODULE TYPES USING DIFFERENT 16K MOS DEVICES.
 77 NOTE: THEY ARE IDENTICAL IN FUNCTION AND PURPOSE.

D	I	G	I	T	A	L	TITLE	32K 16 BIT MOS MEMORY	SECTION A OF C	SIZE	CODE	DOCUMENT NUMBER	REV
										K	PL	M8044-DA-DBP	F

LINE	ITEM	DOCUMENT NUMBER	PART NUMBER	DESCRIPTION	QTY PER VARIATION				REFERENCE DESIGNATOR
					DF	DH	DJ	DK	
1	Ø	D-CS-M8044-0-1		CIRCUIT SCHEMATIC	REF	REF	REF	REF	
2	Ø	D-UA-M8044-0-0		UNIT ASSEMBLY	REF	REF	REF	REF	
3	Ø	B-DD-M8044-0-0		DWG DIRECTORY	REF	REF	REF	REF	
4	Ø	D-MD-5013128-0-0		DRILL & ETCH DWG	REF	REF	REF	REF	
5	1		1010279-00	.47 MFD 25V 20% CER	1	1	1	1	C10
6	2		1001610-00	.01 MFD 50V +80-20% 25U CER	27	27	27	27	C7,C99-C123,C146
7	3		1002627-00	2.2MFD 20V 10% S.TANT	3	3	3	3	C5,C6,C9
8	4		1012121-00	220.0 MMF 100V 1%200PPM MICA	2	2	2	2	C8,C12
9	5		1005306-00	6.8MFD 35V 10% S.TANT	2	2	2	2	C3,C4
10	6		1012219-00	47 MFD 30V +75-10% AL EL	2	2	2	2	C1,C2
11	7		1105275-00	D 672 TR= 15NS PIV= 60V SI	2	2	2	2	D1,D2
12	8		1211164-01	SW,DIP 1P 1A 5POS	1	1	1	1	E2
13	9		1309412-00	18.20 K .25 W 1.0 % RN55D-F10	1	1	1	1	R26
14	10		1309416-00	31.60 K .25 W 1.0 % RN55D-F10	1	1	1	1	R25
15	11		1302957-00	121.0 .25 W 1.0 % RN55D-F10	1	1	1	1	R16
16	12		1300295-00	330.0 .25 W 5.0 % CC	2	2	2	2	R21,R27
17	13		1305126-00	619.0 .25 W 1.0 % RN55D-F10	1	1	1	1	R19
18	14		1303110-00	19.60 .25 W 1.0 % RN55D-F10	1	1	1	1	R18
19	15		1305124-00	287.0 .25 W 1.0 % RN55D-F10	1	1	1	1	R20
20	16		1301874-00	5.60 K .25 W 5.0 % CC	2	2	2	2	R11,R24
21	17		1314636-00	R NETWORK 2-5K 5.0 % 4PIN	3	3	3	3	R4-R6
22	18		1314637-00	R NETWORK 3-22 1.0 % 6PIN	4	4	4	4	R1,R2,R7,R8
23	19		1305123-00	215.0 .25 W 1.0 % RN55D-F10	1	1	1	1	R22
24	20		1301969-00	22.0 .25 W 5.0 % CC	1	1	1	1	R3
25	21		1300365-00	1.0 K .25 W 5.0 % CC	2	2	2	2	R12,R13
26	22		1302874-00	*** THIS ITEM IS NOT USED ***	-	-	-	-	
27	23		1302685-00	909.0 .25 W 1.0 % RN55D-F10	1	1	1	1	R17
28	24		1300271-00	220.0 .25 W 5.0 % CC	2	2	2	2	R14,R15
29	25		1911579-00	8641 TRANSCEIVER,BUS,QUA	6	6	6	6	E1,E8,E51,E57,E63,E69
30	26		1911469-00	DEC 8640 RECEIVER,BUS,QUAD,U	2	2	2	2	E13,E22

REVISION HISTORY			BASIC PART NO: M8044		DRN: D.MANION	DATE: 12/8/77	DIGITAL				
ENG:	ECO NUMBER	REV	SECTION B OF C	CHK'D:	R.GIVEN	DATE: 2/21/78	TITLE	PARTS LIST			
RG	M8044-ML004	F	SECTION VARIATION INDEX	DES.ENG:	R.GIVEN	DATE: 2/21/78	32K 16 BIT MOS MEMORY				
			[A] DB,DC,DD,DE	RESP.ENG.:	R.MARTEL	DATE: 2/21/78	DOCUMENT NUMBER				
			[B] DF,DH,DJ,DK	MFG.ENG.:	R.MARTEL	DATE: 2/21/78	SIZE CODE NUMBER REV				
			[C] DL	ASSEMBLY NUMBER:			K PL M8044-DA-DBP F				
			[D]	TOP DOCUMENT NUMBER:			FILE NAME: EDIT #				
			[E]	D-UA-M8044-0-0			#B-DD-M8044-0 22045F.PLS 9				
			[F]								
			[G]								
			[H]								
			[I]								
			[J]								
			[K]								
			[L]								
			[M]								
			[N]								

"THIS DRAWING AND SPECIFICATIONS HEREIN, ARE THE PROPERTY OF DIGITAL EQUIPMENT CORPORATION AND SHALL NOT BE REPRODUCED OR COPIED OR USED IN WHOLE OR IN PART AS THE BASIS FOR THE MANUFACTURE OR SALE OF ITEMS WITHOUT WRITTEN PERMISSION. COPYRIGHT (C) 1981. DIGITAL EQUIPMENT CORPORATION "

LINE	ITEM	DOCUMENT NUMBER	PART NUMBER	DESCRIPTION	QTY PER VARIATION				REFERENCE DESIGNATOR
					DF	DH	DJ	DK	
31	27		1911944-00	555CN TIMER,FUNCT.BLOCK	1	1	1	1	E34
32	28		1912746-00	DEC 74S37 NAND GATE-QUAD 2IN	3	3	3	3	E3,E6,E17
33	29		1910544-00	74S74 FF-D DUAL,EDGE TRIGG	3	3	3	3	E12,E14,E15
34	30		1913670-01	DM 74S373N LATCH,8BIT TRANS	2	2	2	2	E35,E46
35	31		1913670-00	74S373 LATCH 8BIT TRASP TR	3	3	3	3	E29,E40,E70
36	32		1914451-00	74LS393 COUNTER,BINARY,4BIT	1	1	1	1	E23
37	33		1910536-00	74S10 NAND GATE-TRIPLE 3IN	1	1	1	1	E20
38	34		1910537-00	74S11 AND GATE-TRIPLE 3INP	1	1	1	1	E11
39	35		1913462-00	*** THIS ITEM IS NOT USED ***	-	-	-	-	
40	36		1912649-00	LS75 LATCH 4BIT,BISTABLE	1	1	1	1	E16
41	37		1910540-00	74S22 NAND GATE-DUAL 4INPU	1	1	1	1	E19
42	38		1913340-00	74S32 OR GATE-QUAD 2IN	1	1	1	1	E10
43	39		1912388-00	74S02 NOR GATE-QUAD 2IN,PO	1	1	1	1	E7
44	40		1910544-01	74S74-60GG-D DUAL,EDGE TRIG	1	1	1	1	E21
45	41		1912541-00	79M05 VOLT REG,FIX -5V	1	1	1	1	Q1
46	42		1912807-00	LS10 NAND GATE-TRIPLE 3IN	1	1	1	1	E28
47	43		1913777-00	LS240 DRIVER,LINE,GCTAL,T	2	2	2	2	E5,E18
48	44	USED WITH W2,W3	9107771-00	TUBING,STRD WALL,.040ID UL	4	4	4	4	
49	45		9009149-00	PIN, STAKING, P.C. BOARD, .025 X	13	13	13	13	
50	46		9009185-00	JUMPER, WIRE, INSULATED, BLACK B	1	1	1	1	W1
51	47	USE UNDER Q1	9007254-00	TRANSIPADS #10146	1	1	1	1	
52	48		9008337-06	HANDLE, FLIP CHIP, MAGENTA	2	2	2	2	
53	49		9006732-00	EYELET, ROLLED FLANGE, .121 OD X	4	4	4	4	
54	50		9105740-55	WIRE(WRAP)30AWG UL1423	A/R	A/R	A/R	A/R	
55	51		1613120-00	DELAY= 200NS,10TAPS	1	1	1	1	E4
56	52		1010274-01	.22 MFD 50V +80-20% Z5U CER	31	31	31	31	C124-C145,C147-C155
57	53	BLANK		*** THIS ITEM IS NOT USED ***	-	-	-	-	
58	54	BLANK		*** THIS ITEM IS NOT USED ***	-	-	-	-	
59	55		23195F1-00	F1-01	1	1	1	1	E9
60	56	BLANK		*** THIS ITEM IS NOT USED ***	-	-	-	-	
61	57	BLANK		*** THIS ITEM IS NOT USED ***	-	-	-	-	
62	58	BLANK		*** THIS ITEM IS NOT USED ***	-	-	-	-	
63	59	BLANK		*** THIS ITEM IS NOT USED ***	-	-	-	-	
64	60		2116935-01	16K MOS RAM 200NS 1	-	-	-	32	E24-E27,E30-E33,E36-E39,E41-E44, CONT E53-E56,E59-E62,E65-E68,E71-E74
65	61		2114408-01	*** THIS ITEM IS NOT USED ***	-	-	-	-	
66	62		5013128-00	ETCH BOARD FOR M8045	1	1	1	1	
67	63		9107560-01	WIRE,BUSS,22AWG	A/R	A/R	A/R	A/R	W2,W3
68	64		2114895-01	*** THIS ITEM IS NOT USED ***	-	-	-	-	
69	65		2114927-01	*** THIS ITEM IS NOT USED ***	-	-	-	-	
70	66		2114897-01	16K MOS RAM 200NS 1	32	-	-	-	E24-E27,E30-E33,E36-E39,E41-E44, CONT E53-E56,E59-E62,E65-E68,E71-E74
71	67		2114567-01	UPD 416D 16K MOS RAM 200NS 1	-	32	-	-	E24-E27,E30-E33,E36-E39,E41-E44, CONT E53-E56,E59-E62,E65-E68,E71-E74
72	68		2115724-01	16K MOS RAM 200NS 1	-	-	32	-	E24-E27,E30-E33,E36-E39,E41-E44, CONT E53-E56,E59-E62,E65-E68,E71-E74
73	69		2117367-01	*** THIS ITEM IS NOT USED ***	-	-	-	-	
74	70		2113825-01	*** THIS ITEM IS NOT USED ***	-	-	-	-	

D	I	G	I	T	A	L	TITLE	SECTION B OF C	SIZE	CODE	DOCUMENT NUMBER	REV
							32K 16 BIT MOS MEMORY				M8044-DA-DBP	F

LINE ITEM DOCUMENT NUMBER

PART NUMBER

DESCRIPTION

QTY PER VARIATION

DF DH DJ DK REFERENCE DESIGNATOR

75 NOTE: M8044-DA IS A PRIMARY VARIATION OF THE 32K X 16 BIT SYSTEM (NOT A MODULE TYPE).
 76 NOTE: M8044-DB,DC,DD,DE,DF,DH,DJ,DK,DL ARE MODULE TYPES USING DIFFERENT 16K MOS DEVICES.
 77 NOTE: THEY ARE IDENTICAL IN FUNCTION AND PURPOSE.

D	I	G	I	T	A	L	TITLE	32K 16 BIT MOS MEMORY	SECTION B OF C	SIZE	CODE	DOCUMENT NUMBER	REV
										K	PL	M8044-DA-DBP	F

LINE ITEM	DOCUMENT NUMBER	PART NUMBER	DESCRIPTION	QTY PER VARIATION	DL	REFERENCE DESIGNATOR
1	0	D-CS-M8044-0-1	CIRCUIT SCHEMATIC		REF	
2	0	D-UA-M8044-0-0	UNIT ASSEMBLY		REF	
3	0	0-DD-M8044-0-0	DWG DIRECTORY		REF	
4	0	D-MD-5013128-0-0	DRILL & ETCH DWG		REF	
5	1	1010279-00	.47 MFD 25V 20% CER	1		C10
6	2	1001610-00	.01 MFD 50V +80-20% 25U CER	27		C7,C99-C123,C146
7	3	1002627-00	2.2MFD 20V 10% S.TANT	3		C5,C6,C9
8	4	1012121-00	220.0 MMF 100V 1%200PPM MICA	2		C8,C12
9	5	1005306-00	6.8MFD 35V 10% S.TANT	2		C3,C4
10	6	1012219-00	47 MFD 30V +75-10% AL EL	2		C1,C2
11	7	1105275-00	D 672 TR= 15NS PIV= 60V SI	2		D1,D2
12	8	1211164-01	SW,DIP 1P 1A SPOS	1		E2
13	9	1309412-00	18.20 K .25 W 1.0 % RN55D-F10	1		R26
14	10	1309416-00	31.60 K .25 W 1.0 % RN55D-F10	1		R25
15	11	1302957-00	121.0 .25 W 1.0 % RN55D-F10	1		R16
16	12	1300295-00	330.0 .25 W 5.0 % CC	2		R21,R27
17	13	1305126-00	619.0 .25 W 1.0 % RN55D-F10	1		R19
18	14	1303110-00	19.60 .25 W 1.0 % RN55D-F10	1		R18
19	15	1305124-00	287.0 .25 W 1.0 % RN55D-F10	1		R20
20	16	1301874-00	5.60 K .25 W 5.0 % CC	2		R11,R24
21	17	1314636-00	R NETWORK 2-5K 5.0 % 4PIN	3		R4-R6
22	18	1314637-00	R NETWORK 3-22 1.0 % 6PIN	4		R1,R2,R7,R8
23	19	1305123-00	215.0 .25 W 1.0 % RN55D-F10	1		R22
24	20	1301969-00	22.0 .25 W 5.0 % CC	1		R3
25	21	1300365-00	1.0 K .25 W 5.0 % CC	2		R12,R13
26	22	1302874-00	*** THIS ITEM IS NOT USED ***	-		
27	23	1302685-00	909.0 .25 W 1.0 % RN55D-F10	1		R17
28	24	1300271-00	220.0 .25 W 5.0 % CC	2		R14,R15
29	25	1911579-00	8641 TRANSCEIVER,BUS,QUA	6		E1,E8,E51,E57,E63,E69
30	26	1911469-00	DEC 8640 RECEIVER,BUS,QUAD,U	2		E13,E22

REVISION HISTORY		BASIC PART NO:	M8044		DRN:	D.MANION	DATE:	12/8/77				DIGITAL				
ENG:	ECO NUMBER	REV	SECTION C	OF C	CHK'D:	R.GIVEN	DATE:	2/21/78				TITLE	PARTS LIST			
RG	M8044-ML004	F	SECTION VARIATION INDEX		CHK'D:	R.GIVEN	DATE:	2/21/78				TITLE	32K 16 BIT MOS MEMORY			
			[A] DB,DC,DD,DE													
			[B] DF,DH,DJ,DK													
			[C] DL		DES.ENG:	R.GIVEN	DATE:	2/21/78								
			[D]													
			[E]													
			[F]		RESP.ENG.:	R.MARTEL	DATE:	2/21/78					DOCUMENT NUMBER			
			[H]									SIZE	CODE	NUMBER	REV	
			[J]													
			[K]		MFG.ENG.:	R.MARTEL	DATE:	2/21/78				K	PL	M8044-DA-DBP	F	
			[L]													
			[M]		ASSEMBLY NUMBER:		TOP DOCUMENT NUMBER:			FILE NAME:	EDIT #					
			[N]		D-UA-M8044-0-0		#B-DD-M8044-0			Z2045F.PLS	9					

"THIS DRAWING AND SPECIFICATIONS HEREIN, ARE THE PROPERTY OF DIGITAL EQUIPMENT CORPORATION AND SHALL NOT BE REPRODUCED OR COPIED OR USED IN WHOLE OR IN PART AS THE BASIS FOR THE MANUFACTURE OR SALE OF ITEMS WITHOUT WRITTEN PERMISSION. COPYRIGHT (C) 1981. DIGITAL EQUIPMENT CORPORATION "

LINE	ITEM	DOCUMENT NUMBER	PART NUMBER	DESCRIPTION	QTY PER VARIATION DL	REFERENCE DESIGNATOR
31	27		1911944-00	555CN TIMER,FUNCT.BLOCK	1	E34
32	28		1912746-00	DEC 74S37 NAND GATE-QUAD 2IN	3	E3,E6,E17
33	29		1910544-00	74S74 FF-D DUAL,EDGE TRIGG	3	E12,E14,E15
34	30		1913670-01	DM 74S373N LATCH,8BIT TRANS	2	E35,E46
35	31		1913670-00	74S373 LATCH 8BIT TRASP TR	3	E29,E40,E70
36	32		1914451-00	74LS393 COUNTER,BINARY,4BIT	1	E23
37	33		1910536-00	74S10 NAND GATE-TRIPLE 3IN	1	E20
38	34		1910537-00	74S11 AND GATE-TRIPLE 3INP	1	E11
39	35		1913462-00	*** THIS ITEM IS NOT USED ***	-	
40	36		1912649-00	LS75 LATCH 4BIT,BISTABLE	1	E16
41	37		1910540-00	74S22 NAND GATE-DUAL 4INPU	1	E19
42	38		1913340-00	74S32 OR GATE-QUAD 2IN	1	E10
43	39		1912388-00	74S02 NOR GATE-QUAD 2IN,PO	1	E7
44	40		1910544-01	74S74-60GG-D DUAL,EDGE TRIG	1	E21
45	41		1912541-00	79M05 VOLT REG,FIX -5V	1	Q1
46	42		1912807-00	LS10 NAND GATE-TRIPLE 3IN	1	E28
47	43		1913777-00	LS240 DRIVER,LINE,OCTAL,T	2	E5,E18
48	44	USED WITH W2,W3	9107771-00	TUBING,STRD WALL,.040ID UL	4	
49	45		9009149-00	PIN, STAKING, P.C. BOARD, .025 X	13	
50	46		9009185-00	JUMPER, WIRE, INSULATED, BLACK B	1	W1
51	47	USE UNDER Q1	9007254-00	TRANSIPADS #10146	1	
52	48		9008337-06	HANDLE, FLIP CHIP, MAGENTA	2	
53	49		9006732-00	EYELET, ROLLED FLANGE, .121 OD X	4	
54	50		9105740-55	WIRE(WRAP)30AWG UL1423	A/R	
55	51		1613120-00	DELAY= 200NS,10TAPS	1	E4
56	52		1010274-01	.22 MFD 50V +80-20% Z5U CER	31	C124-C145,C147-C155
57	53	BLANK		*** THIS ITEM IS NOT USED ***	-	
58	54	BLANK		*** THIS ITEM IS NOT USED ***	-	
59	55		23195F1-00	F1-01	1	E9
60	56	BLANK		*** THIS ITEM IS NOT USED ***	-	
61	57	BLANK		*** THIS ITEM IS NOT USED ***	-	
62	58	BLANK		*** THIS ITEM IS NOT USED ***	-	
63	59	BLANK		*** THIS ITEM IS NOT USED ***	-	
64	60		2116935-01	*** THIS ITEM IS NOT USED ***	-	
65	61		2114408-01	*** THIS ITEM IS NOT USED ***	-	
66	62		5013128-00	ETCH BOARD FOR M8045	1	
67	63		9107560-01	WIRE,BUSS,22AWG	A/R	W2,W3
68	64		2114895-01	*** THIS ITEM IS NOT USED ***	-	
69	65		2114927-01	*** THIS ITEM IS NOT USED ***	-	
70	66		2114897-01	*** THIS ITEM IS NOT USED ***	-	
71	67		2114567-01	*** THIS ITEM IS NOT USED ***	-	
72	68		2115724-01	*** THIS ITEM IS NOT USED ***	-	
73	69		2117367-01	TMM 416-3RAM,16KX1,DYNAMIC,20	32	E24-E27,E30-E33,E36-E39,E41-E44, CONT E53-E56,E59-E62,E65-E68,E71-E74
74	70		2113825-01	*** THIS ITEM IS NOT USED ***	-	

D	I	G	I	T	A	L	TITLE	SECTION C OF C	SIZE	CODE	DOCUMENT NUMBER	REV
							32K 16 BIT MOS MEMORY		K	PL	M8044-DA-DBP	F

LINE ITEM DOCUMENT NUMBER PART NUMBER DESCRIPTION QTY PER VARIATION DL REFERENCE DESIGNATOR

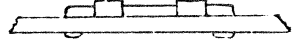
75 NOTE: M8044-DA IS A PRIMARY VARIATION OF THE 32K X 16 BIT SYSTEM (NOT A MODULE TYPE).
 76 NOTE: M8044-DB,DC,DD,DE,DF,DH,DJ,DK,DL ARE MODULE TYPES USING DIFFERENT 16K MOS DEVICES.
 77 NOTE: THEY ARE IDENTICAL IN FUNCTION AND PURPOSE.

D	I	G	I	T	A	L	TITLE	32K 16 BIT MOS MEMORY	SECTION C OF C	SIZE	CODE	DOCUMENT NUMBER	REV
										K	PL	M8044-DA-DBP	F

THIS DRAWING AND SPECIFICATIONS, WHETHER AND THE PROPERTY OF DIGITAL EQUIPMENT CORPORATION AND SHALL REMAIN THE PROPERTY OF DIGITAL EQUIPMENT CORPORATION. NO PART OF THIS DRAWING OR THE INFORMATION CONTAINED HEREIN IS TO BE REPRODUCED OR TRANSMITTED IN ANY FORM OR BY ANY MEANS, ELECTRONIC OR MECHANICAL, INCLUDING PHOTOCOPYING, RECORDING, OR BY ANY INFORMATION STORAGE AND RETRIEVAL SYSTEM, WITHOUT PERMISSION IN WRITING FROM DIGITAL EQUIPMENT CORPORATION.

MODULE VARIATIONS AA&CA

2. W2 THRU W5 SHOULD BE INSTALLED WITH ASSEMBLY SPACERS SO THAT THEY LOOK LIKE THE FOLLOWING:



3. R PACKS SHOULD BE INSTALLED SO THAT LEADS DO NOT INTERFERE WITH OTHER COMPONENTS

4. ⊗ WIRE WRAP PIN.

MEMORY TYPE	JUMPER CONFIG.	VARIATION
NON-PARITY	5-7	AA, CA

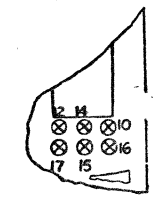
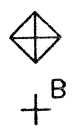
MEMORY SIZE	JUMPER CONFIG.	VARIATION
4K	7-15	AA
6K	16-15	CA

7. OPTIONAL JUMPER 1-2 WILL ALLOW USER TO EXTEND USABLE MEMORY SPACE FROM 28K TO 30K. NORMAL JUMPER IS 1-3.

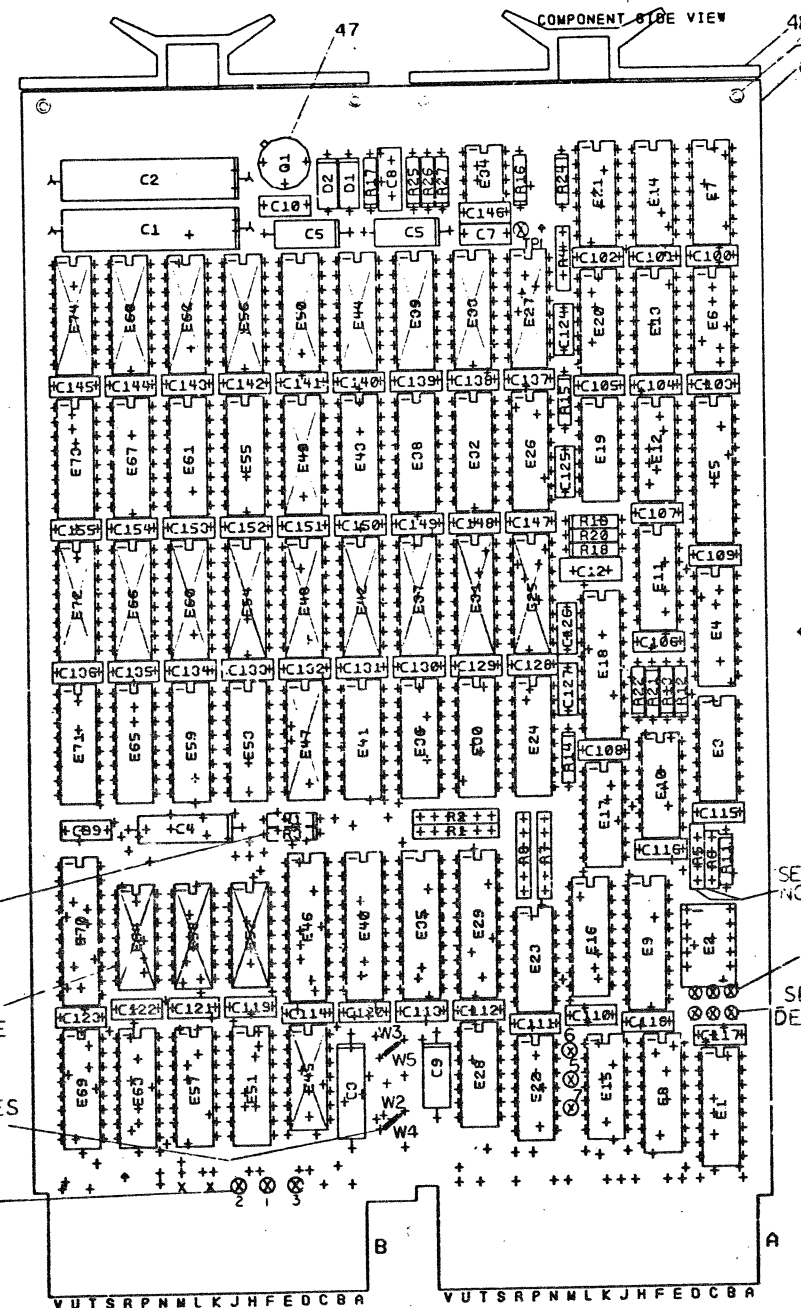
JUMPER	BATTERY BACK-UP	NON BATTERY BACK-UP
W2	OUT	IN
W3	OUT	IN
W4	IN	OUT
W5	IN	OUT

MEMORY SIZE	W1	R3	VARIATION
4K	IN	OUT	AA
6K	OUT	IN	CA

10. THE FOLLOWING IC'S ARE NOT INSTALLED IN AA & CA VARIATIONS:
E25, 27, 31, 33, 37, 39, 42, 44, 45, 47, 48, 49, 50, 52, 54, 55, 58, 60, 62, 64, 66, 68, 72 & 74.



DETAIL A



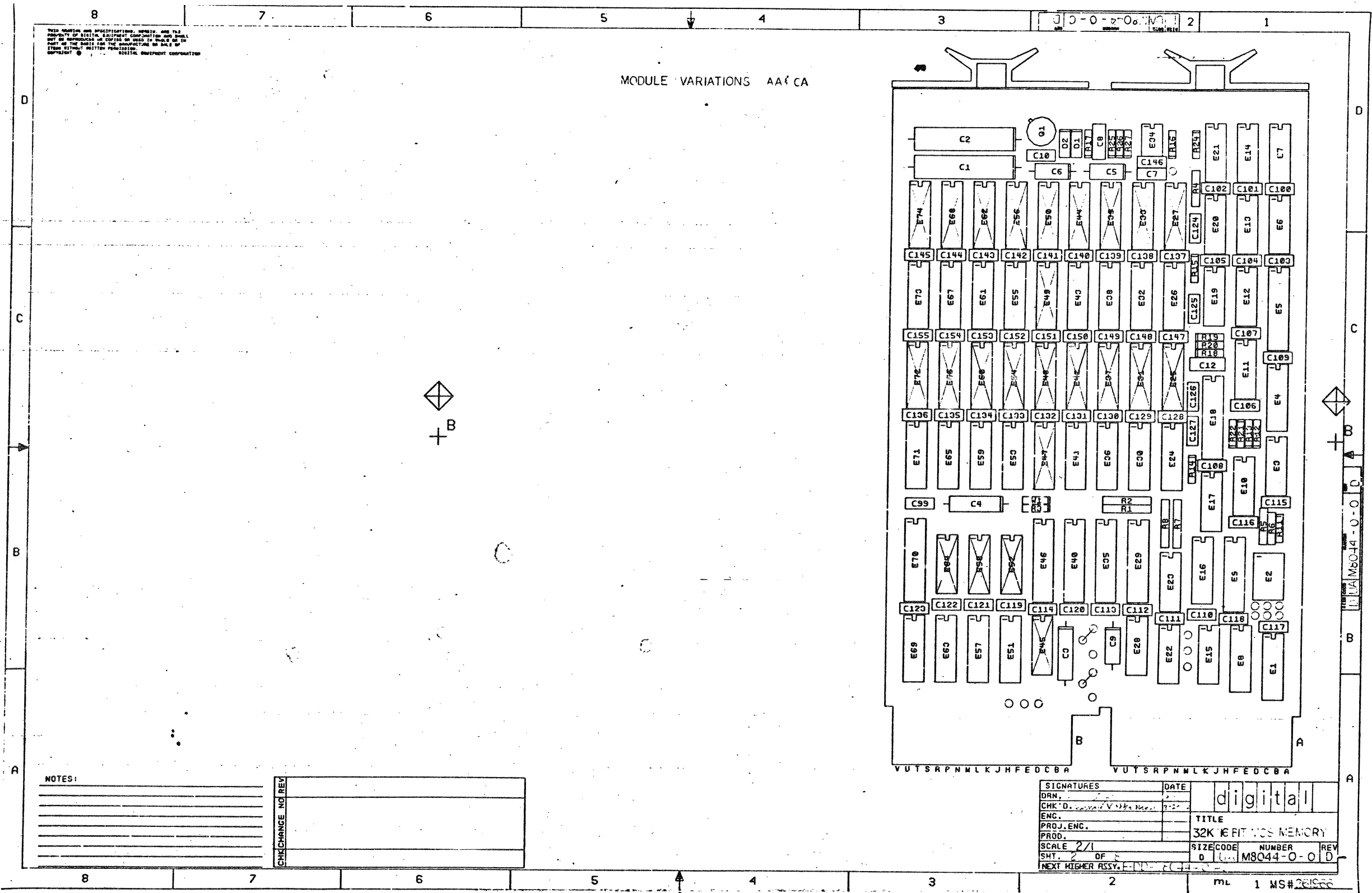
NOTES:

CHG	NO	REV
E2	1	C
E2	2	C
E2	3	C
E2	4	C
E2	5	C
E2	6	C
E2	7	C
E2	8	C
E2	9	C
E2	10	C
E2	11	C
E2	12	C
E2	13	C
E2	14	C
E2	15	C
E2	16	C
E2	17	C
E2	18	C
E2	19	C
E2	20	C
E2	21	C
E2	22	C
E2	23	C
E2	24	C
E2	25	C
E2	26	C
E2	27	C
E2	28	C
E2	29	C
E2	30	C
E2	31	C
E2	32	C
E2	33	C
E2	34	C
E2	35	C
E2	36	C
E2	37	C
E2	38	C
E2	39	C
E2	40	C
E2	41	C
E2	42	C
E2	43	C
E2	44	C
E2	45	C
E2	46	C
E2	47	C
E2	48	C
E2	49	C
E2	50	C
E2	51	C
E2	52	C
E2	53	C
E2	54	C
E2	55	C
E2	56	C
E2	57	C
E2	58	C
E2	59	C
E2	60	C
E2	61	C
E2	62	C
E2	63	C
E2	64	C
E2	65	C
E2	66	C
E2	67	C
E2	68	C
E2	69	C
E2	70	C
E2	71	C
E2	72	C
E2	73	C
E2	74	C

SIGNATURES		DATE
DRN. <i>[Signature]</i>		
CHK'D. <i>[Signature]</i>		
ENC.		
PROJ. ENG.		
PROD.		
SCALE 2/1		
SHT. 1 OF 6		
NEXT HIGHER ASSY. B-1-D-EN-3045-0		
TITLE		digital
32x 16BIT MOS MEMORY		
SIZE CODE	NUMBER	REV
0	0	D
MS# 261966		

THIS DRAWING AND SPECIFICATIONS, HEREIN, ARE THE PROPERTY OF DIGITAL EQUIPMENT CORPORATION AND SHALL NOT BE REPRODUCED OR COPIED IN WHOLE OR IN PART OR THE BASIS FOR THE MANUFACTURE OF ANY ITEM WITHOUT WRITTEN PERMISSION.

MODULE VARIATIONS AA CA



NOTES:

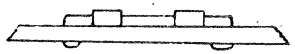
CHANGE NO	REV

SIGNATURES	DATE	digital
DRN		
CHK'D		TITLE
ENC.		32K 16 BIT MOS MEMORY
PROD.		SIZE
SCALE 2/1		CODE
SHT 2 OF 2		NUMBER
NEXT HIGHER ASSY. M8044-0-0-0		REV
		0

ML 1 MS# 261566

THIS DRAWING AND SPECIFICATIONS, HEREIN, AND THE APPROPRIATE PORTIONS OF THE DRAWINGS, ARE THE PROPERTY OF DIGITAL EQUIPMENT CORPORATION AND SHALL NOT BE REPRODUCED OR COPIED IN WHOLE OR IN PART WITHOUT WRITTEN PERMISSION. DIGITAL EQUIPMENT CORPORATION

MODULE VARIATIONS BA & DA

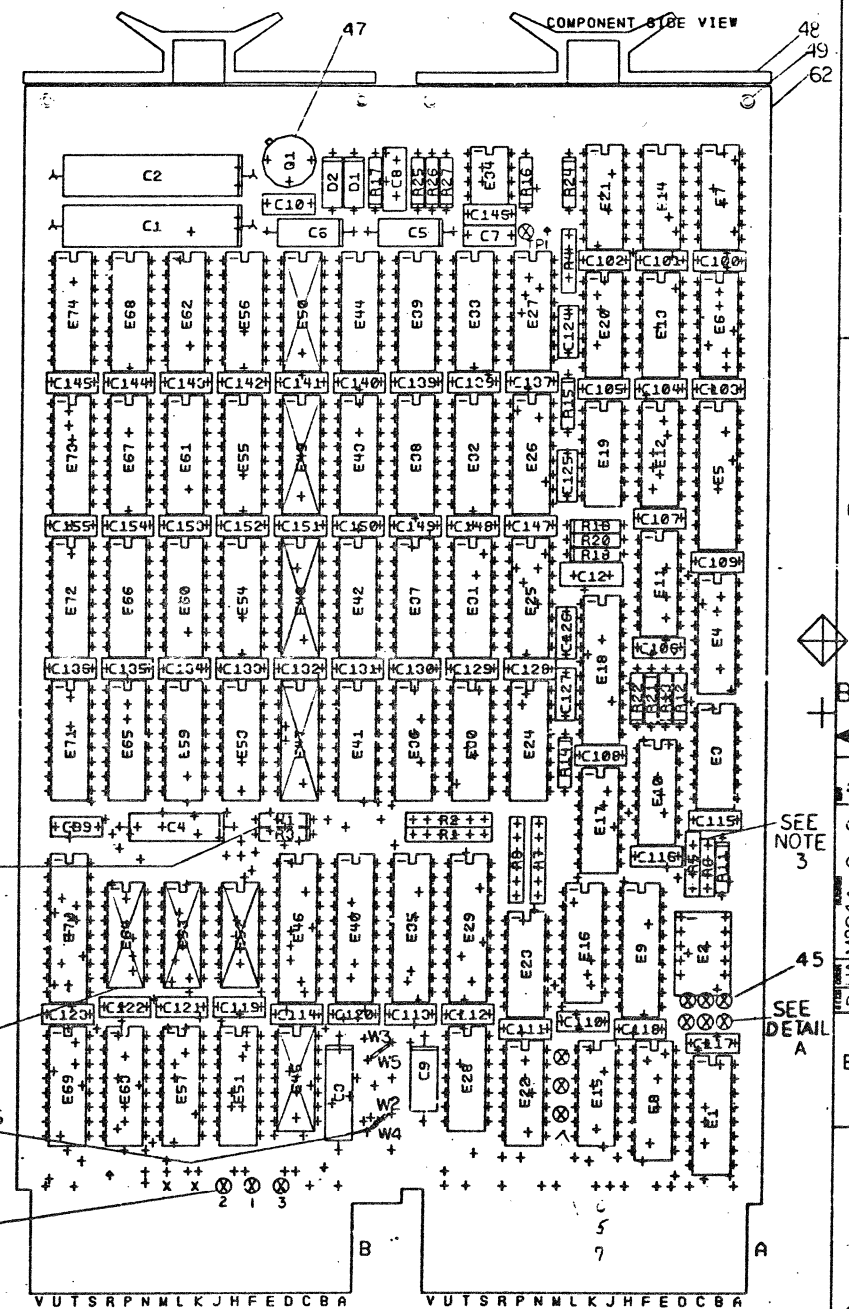
- 1.
2. W2 THRU W5 SHOULD BE INSTALLED WITH ASSEMBLY SPACERS SO THAT THEY LOOK LIKE THE FOLLOWING:
 
3. R PACKS SHOULD BE INSTALLED SO THAT LEADS DO NOT INTERFERE WITH OTHER COMPONENTS
4. ⊗ WIRE WRAP PIN.
5. MEMORY TYPE JUMPER CONFIG VARIATION

NON-PARITY	5-7	BA DA
------------	-----	-------
6. MEMORY SIZE JUMPER CONFIG VARIATION

8K	17-15	2-14	BA DA
32K	16-15	0-14	DA
7. OPTIONAL JUMPER I2 WILL ALLOW USER TO EXTEND USABLE MEMORY SPACE FROM 28K TO 30K. NORMAL JUMPER IS I-3
8. JUMPER BATTERY BACK-UP NON BATTERY BACK-UP

JUMPER	BATTERY BACK-UP	NON BATTERY BACK-UP
W2	OUT	IN
W3	OUT	IN
W4	IN	OUT
W5	IN	OUT
9. MEMORY SIZE W1 R3 VARIATION

8K	IN	OUT	BA DA
32K	OUT	IN	DA
10. THE FOLLOWING IC'S ARE NOT INSTALLED IN BA & DA VARIATIONS: E45, 47, 48, 49, 50, 52, 58 & 64.



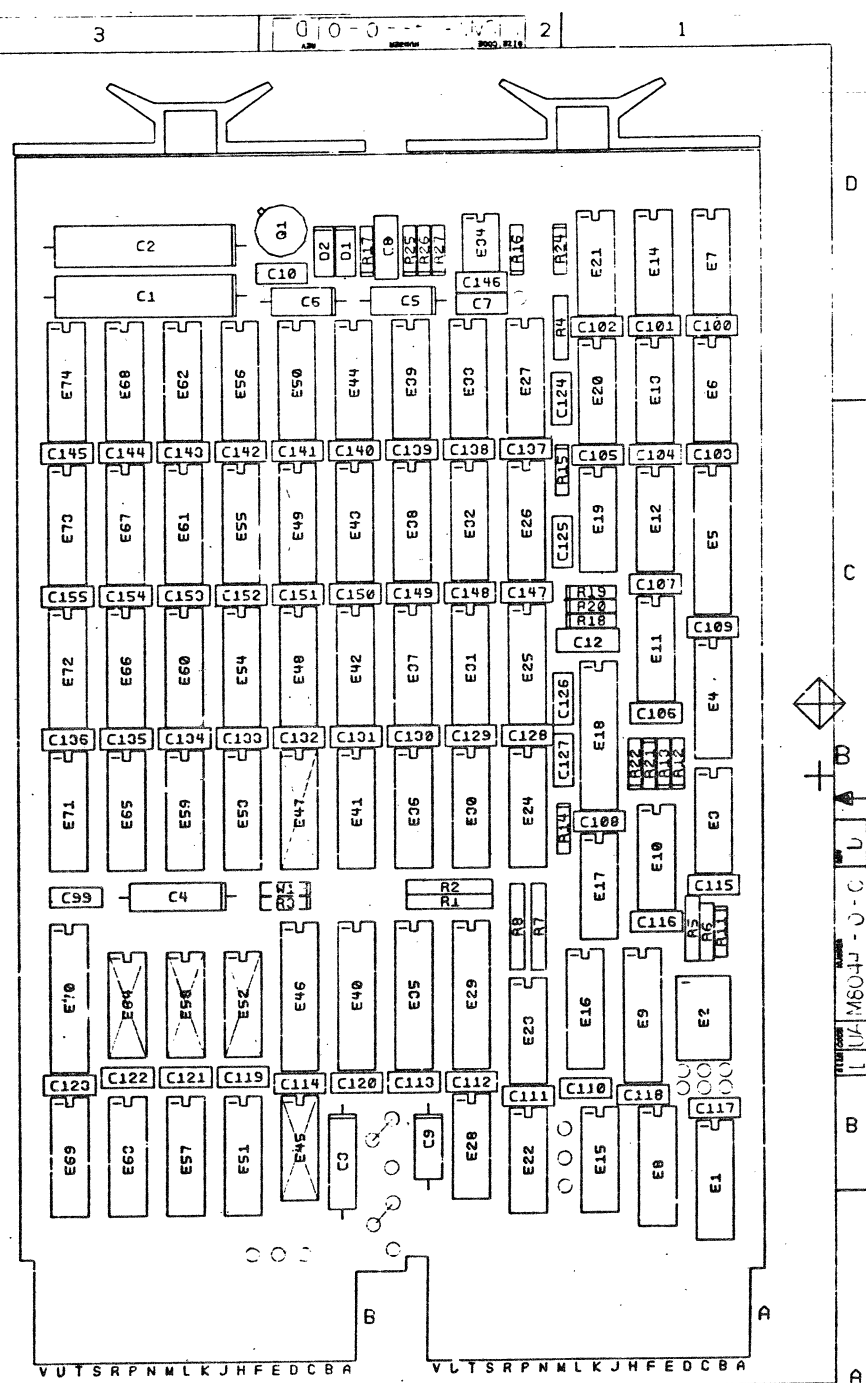
NOTES:

CHANGE NO. REV.

SIGNATURES	DATE	digital	TITLE 32K 1GBIT MOS MEMORY
DRN.			
CHK'D.			
ENC.			
PROJ. ENC.			
PROD.		TITLE	
SCALE 2/1		SIZE CODE	NUMBER
SHT. 3 OF 8		0 UAJN6C44-C-0 D	REV
NEXT HIGHER ASSY 65-10-A8044-0			

THIS DRAWING AND SPECIFICATIONS HEREBY ARE THE PROPERTY OF Digital Equipment Corporation and shall not be reproduced in whole or in part or used in any way for the manufacture or sale of any product without the written permission of Digital Equipment Corporation.

MODULE VARIATIONS BA DA



NOTES:

CHG	NO	REV

SIGNATURES		DATE
DRN.		
CHK'D.		
ENC.		
PROJ. ENC.		
PROD.		
SCALE 2/1		
SHT. 4 OF 8		
NEXT HIGHER ASSY. 100-MS044		
TITLE		digital
32K 16BIT MOS MEMORY		
SIZE CODE	NUMBER	REV
D	100-MS044-C-01D	
mL		1 MS# 20152

THIS DRAWING AND SPECIFICATIONS, HEREIN, ARE THE PROPERTY OF DIGITAL EQUIPMENT CORPORATION AND SHALL NOT BE REPRODUCED OR COPIED OR USED IN WHOLE OR IN PART AS THE BASIS FOR THE MANUFACTURE OR SALE OF ITEMS WITHOUT WRITTEN PERMISSION.
 COPYRIGHT © 1977, DIGITAL EQUIPMENT CORPORATION

NOTES:

1. ⊙ = WIRE WRAP PIN

2.

TYPE MEMORY	JUMPER CONFIGURATION
NON PARITY	5 TO 7
PARITY	5 TO 6

3.

TYPE	JUMPER CONFIGURATION
4K	17 TO 15 & 17 TO 14
8K	17 TO 15 & 12 TO 14
16K	16 TO 15 & 16 TO 14
32K	16 TO 15 & 10 TO 14

4.

DEC (K)	OCTAL	SWITCH SETTING (X = OFF)				
		SI-1	SI-2	SI-3	SI-4	SI-5
0	000000					
4	020000					X
8	040000				X	
12	060000				X	X
16	100000			X		
20	120000			X		X
24	140000			X	X	
28	160000			X	X	X
32	200000		X			
36	220000		X			X
40	240000		X		X	
44	260000		X		X	X
48	300000		X	X		
52	320000		X	X		X
56	340000		X	X	X	
60	360000		X	X	X	X
64	400000	X				
68	420000	X				X
72	440000	X			X	
76	460000	X			X	X
80	500000	X		X		
84	520000	X		X		X
88	540000	X		X	X	
92	560000	X		X	X	X
96	600000	X	X			
100	620000	X	X			X
104	640000	X	X		X	
108	660000	X	X		X	X
112	700000	X	X	X		
116	720000	X	X	X		X
120	740000	X	X	X	X	
124	760000	X	X	X	X	X

5. NORMAL JUMPER 1 TO 3. OPTIONAL JUMPER 1 TO 2 WILL ALLOW USER TO EXTEND USABLE MEMORY SPACE FROM 28K TO 30K.

6.

JUMPER	BATTERY BACK-UP	NON BATTERY BACK-UP
W2	OUT	IN
W3	OUT	IN
W4	IN	OUT
W5	IN	OUT

7.

MEMORY SIZE	W1	R3
4K	IN	OUT
8K	IN	OUT
16K	OUT	IN
32K	OUT	IN

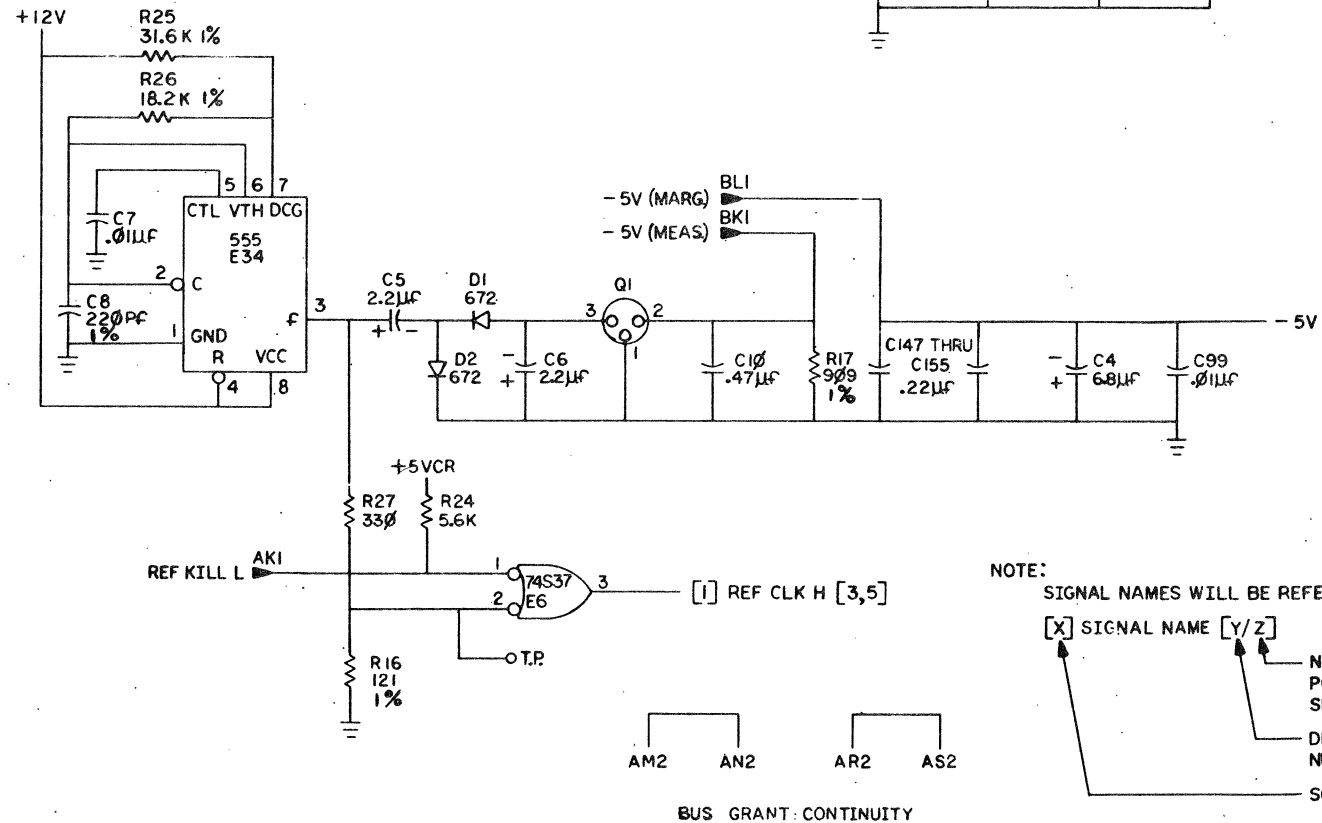
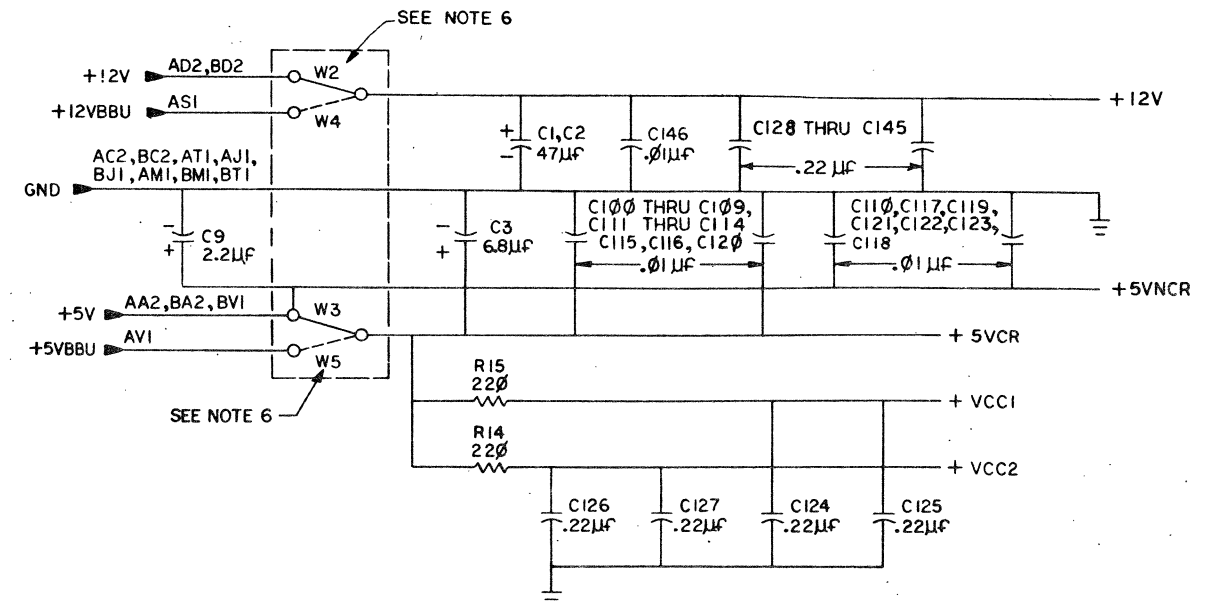
8.

OPTION DESIGNATION	PRIMARY VARIATION	SYSTEM DESCRIPTION
MSVII-DA	M8044-AA	4K X 16 BITS
MSVII-DB	M8044-BA	8K X 16 BITS
MSVII-DC	M8044-CA	16K X 16 BITS
MSVII-DD	M8044-DA	32K X 16 BITS

9.

IC TYPE	+5V	GND	+12V	-5V
555	9	1	8	
MOS	9	16	8	1
74S373	20	10		
74LS393	14	7		
74S280	14	7		
74S74	14	7		
74S10	14	7		
74S11	14	7		
8641	16	8		
8640	8	1		
74S240	20	10		
74S37	14	7		
74S22	14	7		
1Kx4 PROM	18	9		
74S02	14	7		
74LS75	5	12		
74S32	14	7		
74LS10	14	7		
74LS240	20	10		

10. THESE I.C.'S USED ONLY IN 8K & 32K CONFIG'S.



NOTE: SIGNAL NAMES WILL BE REFERENCED AS FOLLOWS:
 [X] SIGNAL NAME [Y/Z]
 NUMBER OF CONNECTION POINTS ON DESTINATION SHEET.
 DESTINATION SHEET NUMBER.
 SOURCE SHEET NUMBER.

REVISIONS

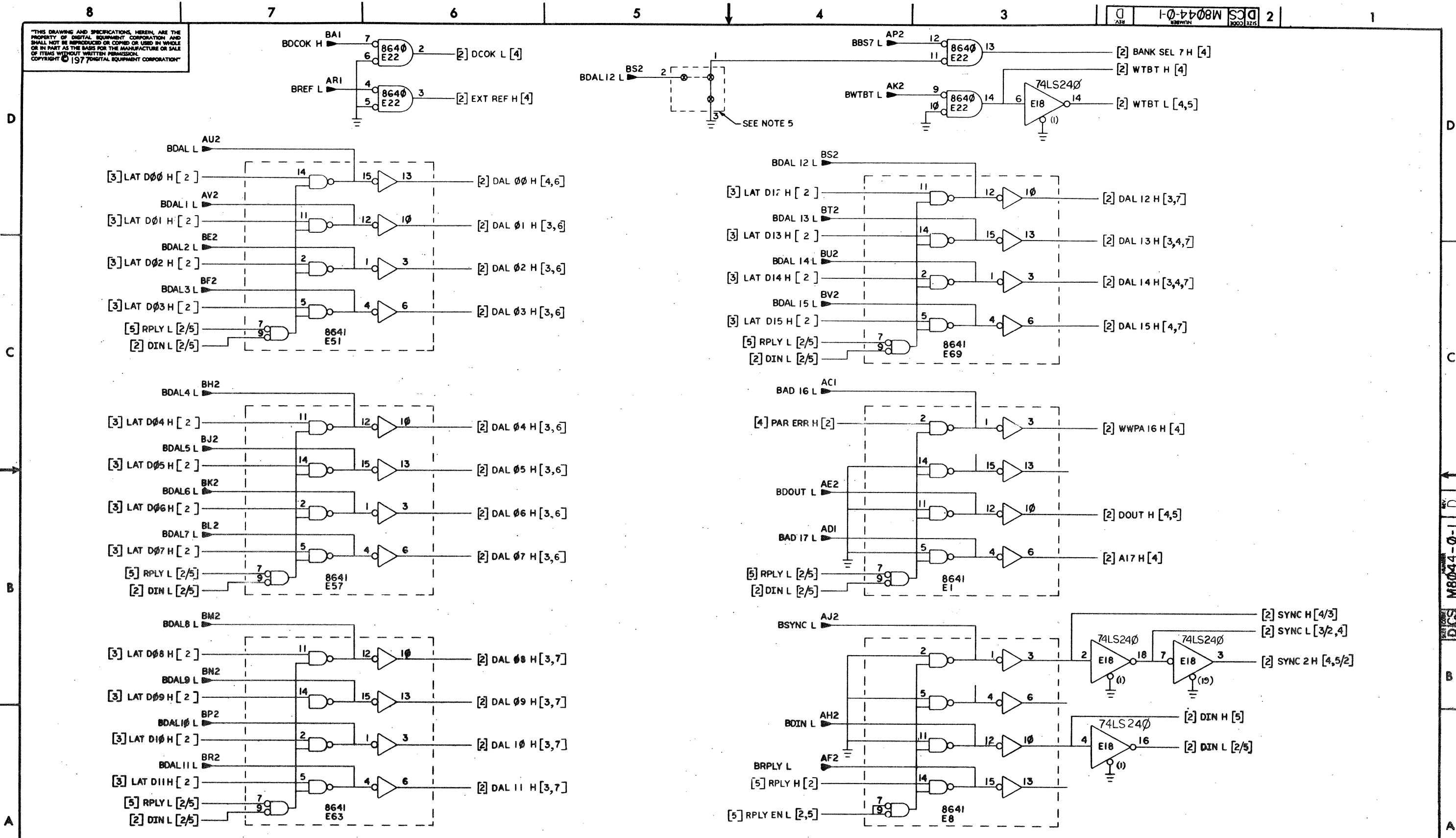
CHK	CHANGE NO.	REV.
R. GIVEN	M8044-00001	B
R. GIVEN	STEVEN M. L. 1 MAY 78	
R. GIVEN	M8044 ML002	C
R. GIVEN	27-DEC-78	
R. GIVEN	27-DEC-78	

REVISIONS

CHK	CHANGE NO.	REV.
RON GIVEN	7/23/80	
RON GIVEN	7/23/80	

DRN Steve Garity	0-25-78	FIRST USED ON	MSVII-D	Digital
CHK'D R. GIVEN	2-21-78	TITLE	32K 16BIT MOS MEM	
ENG. R. GIVEN	2-21-78	SCALE	1	D
PROJ. ENG. R. GIVEN	2-21-78	SHEET	1	OF 7
PROD. R. GIVEN	2-21-78	DIST.		

THIS DRAWING AND SPECIFICATIONS HEREIN ARE THE PROPERTY OF DIGITAL EQUIPMENT CORPORATION AND SHALL NOT BE REPRODUCED OR COPIED OR USED IN WHOLE OR IN PART AS THE BASIS FOR THE MANUFACTURE OR SALE OF ITEMS WITHOUT WRITTEN PERMISSION. COPYRIGHT © 1977 DIGITAL EQUIPMENT CORPORATION

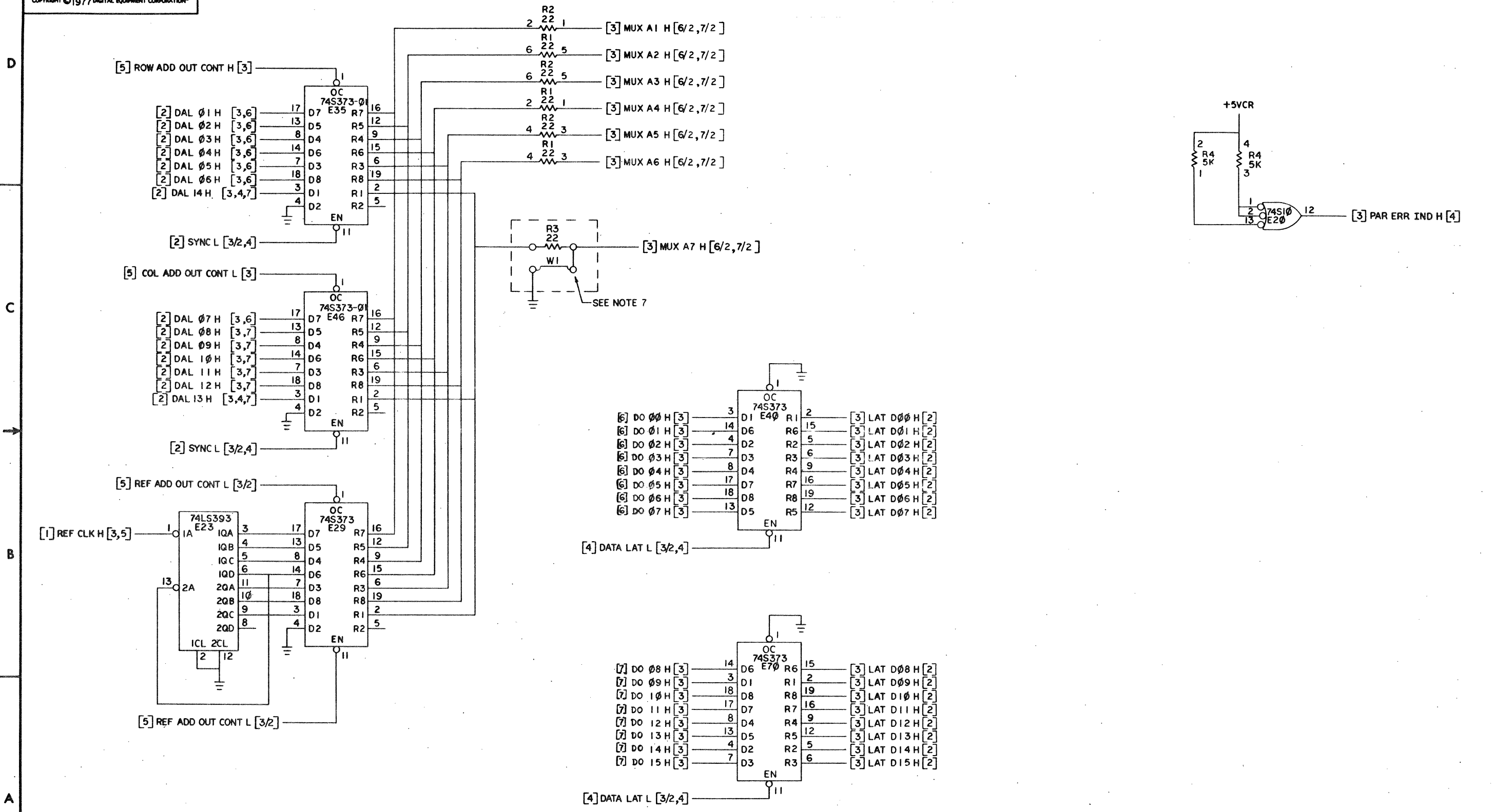


REVISIONS		
CHK	CHANGE NO.	REV.

TITLE	SIZE CODE	NUMBER	REV.
32K 16BIT MOS MEM	DCS	M8044-0-1	D
SCALE	SHEET	DIST.	
	2 OF 7		

DCS M8044-0-1 D

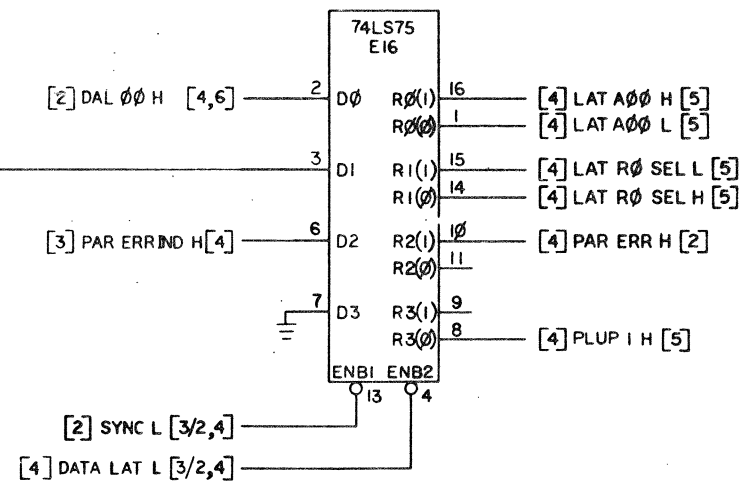
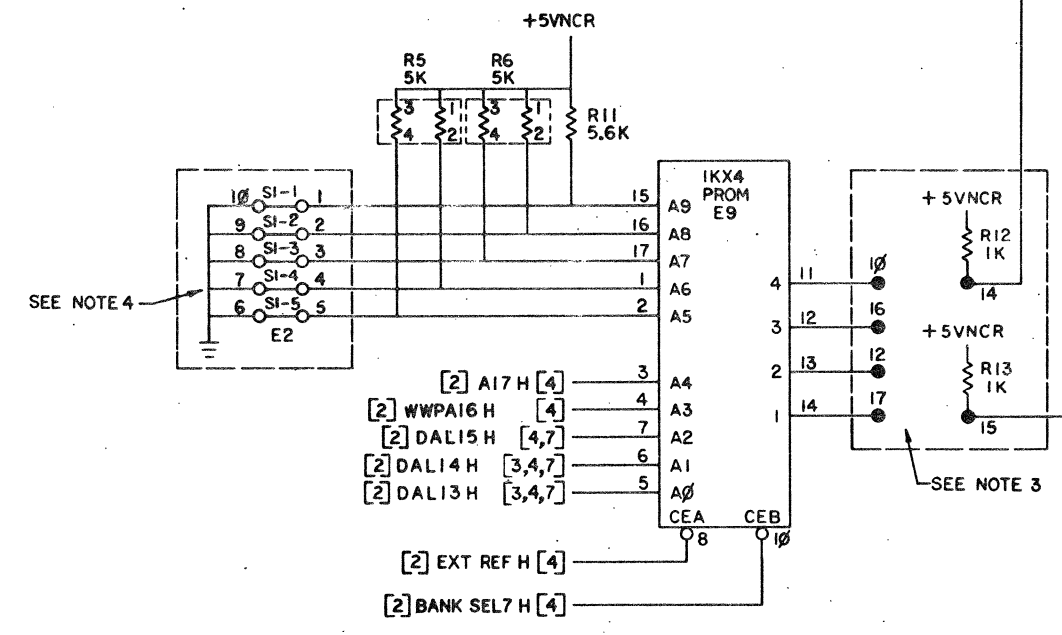
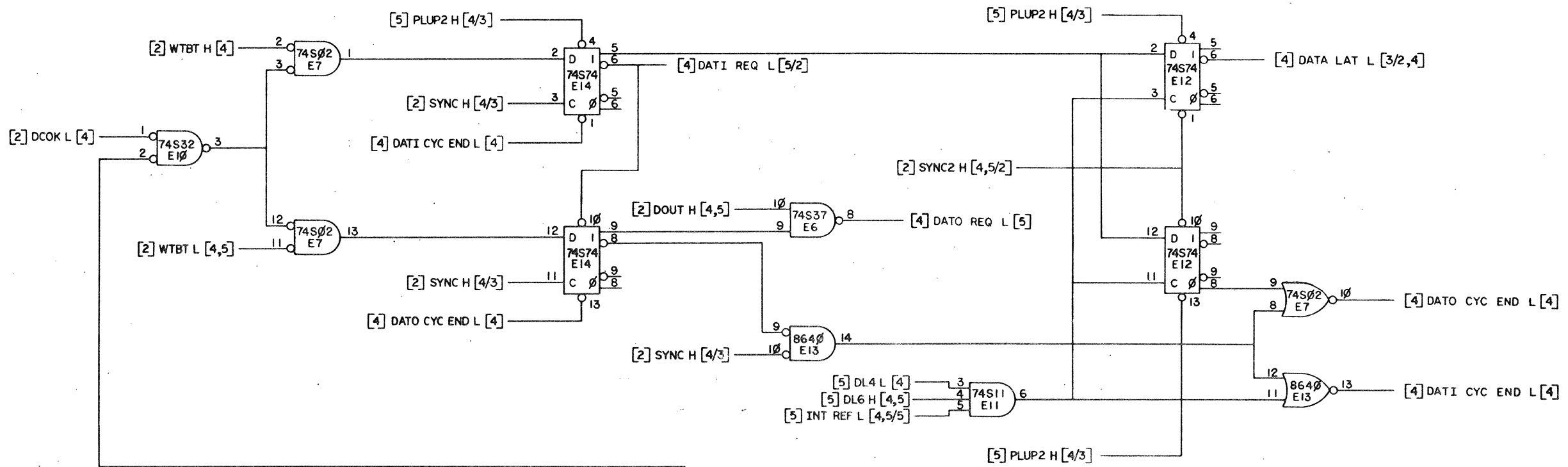
"THIS DRAWING AND SPECIFICATIONS HEREIN ARE THE PROPERTY OF DIGITAL EQUIPMENT CORPORATION AND SHALL NOT BE REPRODUCED OR COPIED OR USED IN WHOLE OR IN PART AS THE BASIS FOR THE MANUFACTURE OR SALE OF ITEMS WITHOUT WRITTEN PERMISSION. COPYRIGHT © 1977 DIGITAL EQUIPMENT CORPORATION"



REVISIONS		
CHK	CHANGE NO.	REV.

REV. D NUMBER M8044-0-1

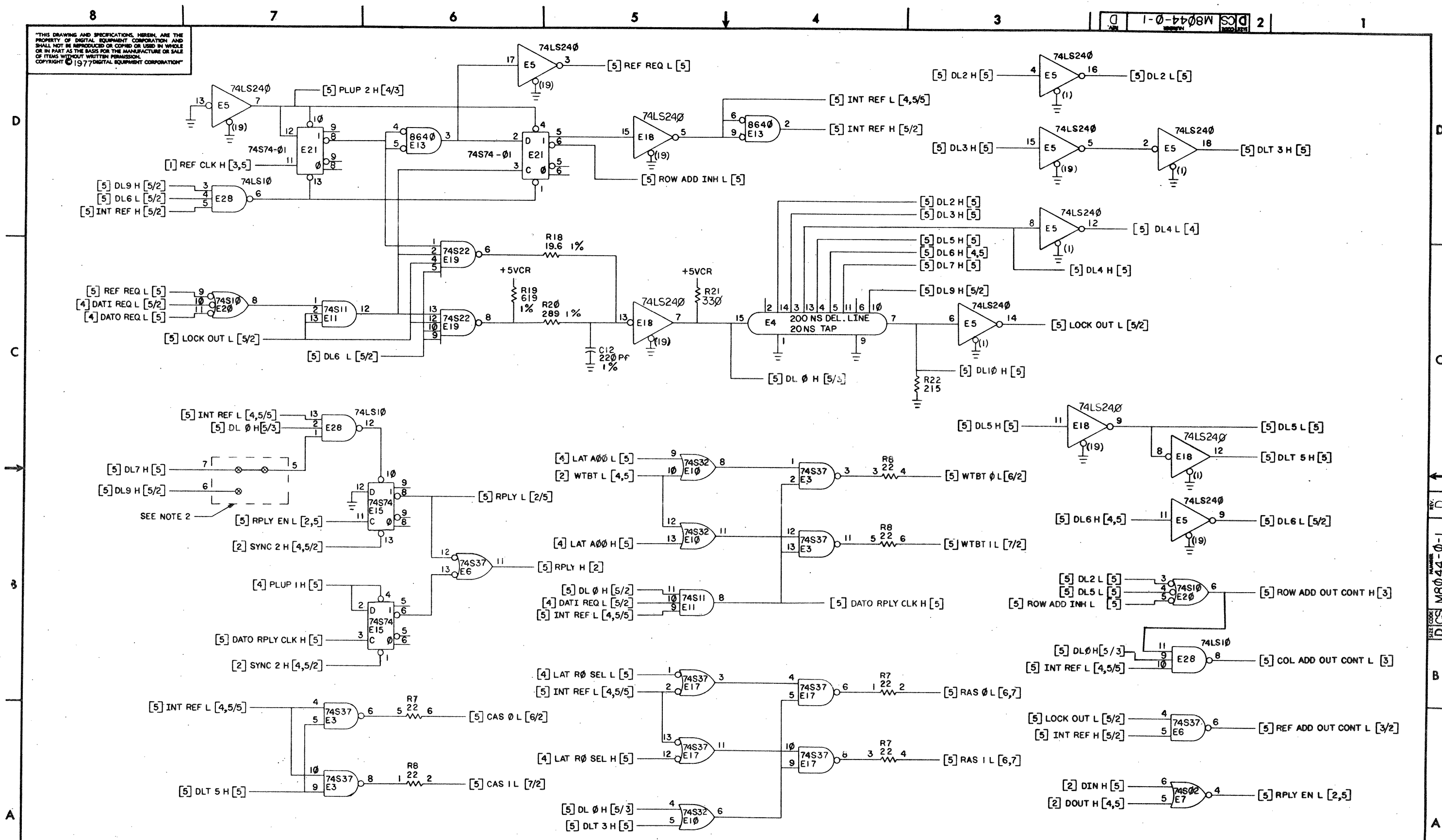
"THIS DRAWING AND SPECIFICATIONS HEREIN ARE THE PROPERTY OF DIGITAL EQUIPMENT CORPORATION AND SHALL NOT BE REPRODUCED OR COPIED OR USED IN WHOLE OR IN PART AS THE BASIS FOR THE MANUFACTURE OR SALE OF ITEMS WITHOUT WRITTEN PERMISSION. COPYRIGHT © 1977 DIGITAL EQUIPMENT CORPORATION"



REVISIONS		
CHK	CHANGE NO.	REV.

"THIS DRAWING AND SPECIFICATIONS, HEREIN, ARE THE PROPERTY OF DIGITAL EQUIPMENT CORPORATION AND SHALL NOT BE REPRODUCED OR COPIED OR USED IN WHOLE OR IN PART AS THE BASIS FOR THE MANUFACTURE OR SALE OF ITEMS WITHOUT WRITTEN PERMISSION. COPYRIGHT © 1977 DIGITAL EQUIPMENT CORPORATION"

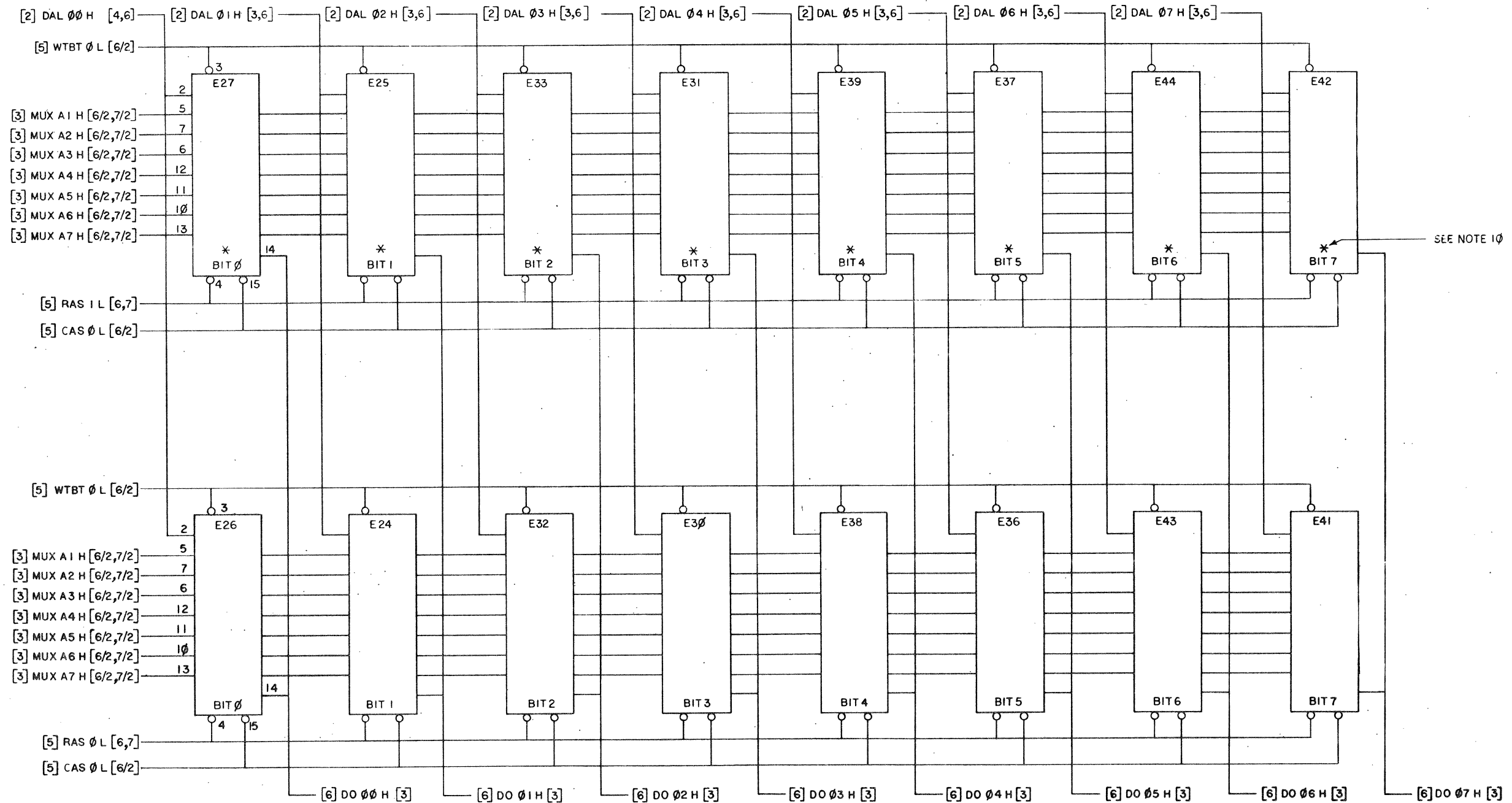
D CS M8044-0-1



REVISIONS		
CHK	CHANGE NO.	REV.

8	7	6	5	4	3	2	1	ML	
TITLE: 32K 16 BIT MOS MEM							SIZE CODE: D CS	NUMBER: M8044-0-1	REV. D
SCALE: / /							SHEET: 5 OF 7	DIST.:	

"THIS DRAWING AND SPECIFICATIONS, HEREIN, ARE THE PROPERTY OF DIGITAL EQUIPMENT CORPORATION AND SHALL NOT BE REPRODUCED OR COPIED OR USED IN WHOLE OR IN PART AS THE BASIS FOR THE MANUFACTURE OR SALE OF ITEMS WITHOUT WRITTEN PERMISSION. COPYRIGHT © 1977 DIGITAL EQUIPMENT CORPORATION"

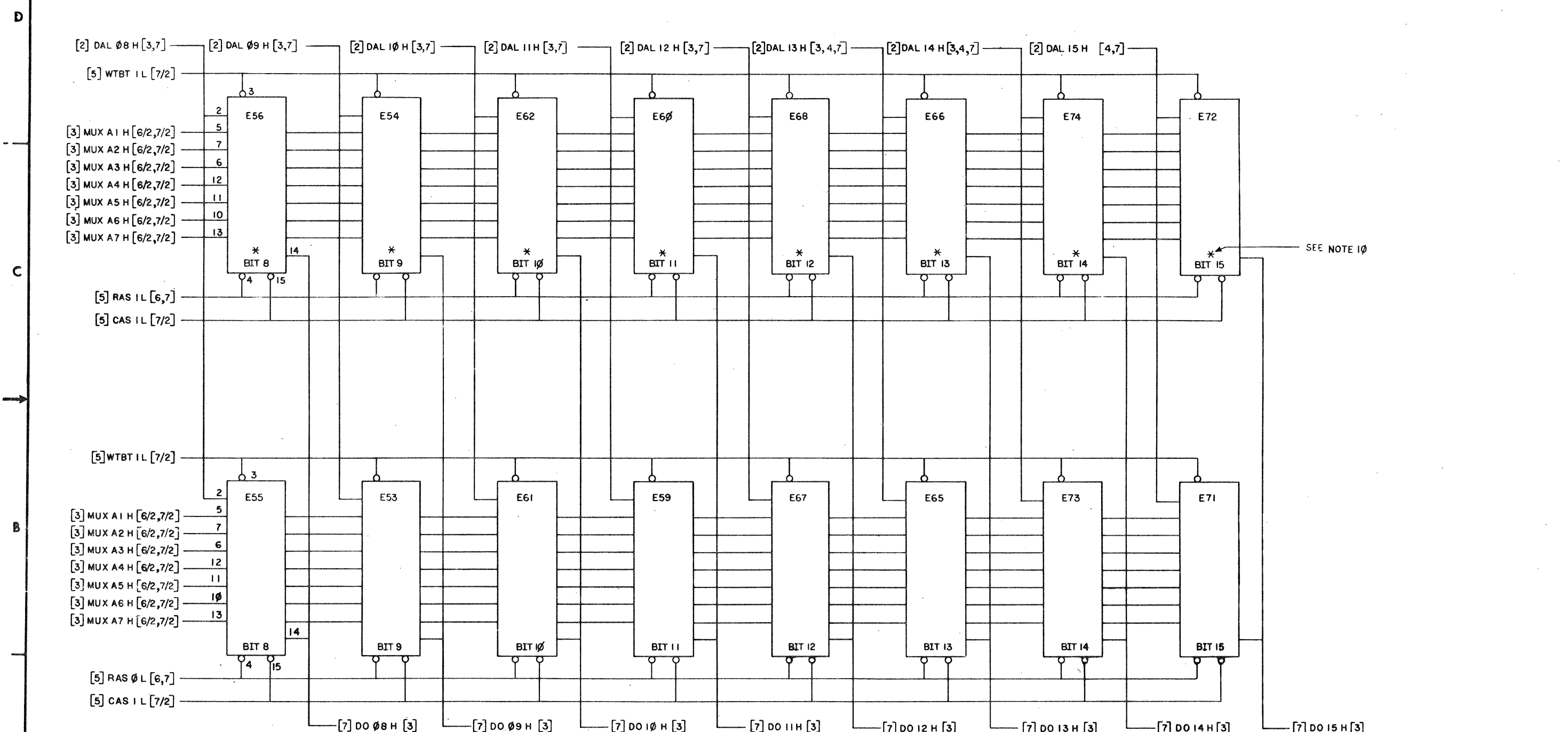


VCC1 — E26, E27, E32, E33, E38, E39, E43, E44, E55, E56, E61, E62, E67, E68, E73, E74
 VCC2 — E24, E25, E30, E31, E36, E37, E41, E42, E53, E54, E59, E60, E65, E66, E71, E72
 +5VNCR — E1, E8, E9, E15, E16, E45, E51, E52, E57, E58, E63, E64, E69, E70
 +5VCR — E3 THRU E7, E10 THRU E14, E17 THRU E23, E28, E29, E35, E40, E46

REVISIONS		
CHK	CHANGE NO.	REV.

REV. D
 M8044-0-1
 DCS

"THIS DRAWING AND SPECIFICATIONS, HEREIN, ARE THE PROPERTY OF DIGITAL EQUIPMENT CORPORATION AND SHALL NOT BE REPRODUCED OR COPIED OR USED IN WHOLE OR IN PART AS THE BASIS FOR THE MANUFACTURE OR SALE OF ITEMS WITHOUT WRITTEN PERMISSION. COPYRIGHT © 1977 DIGITAL EQUIPMENT CORPORATION"



VCC1 — E26,E27,E32,E33,E38,E39,E43,E44, E55,E56,E61, E62,E67,E68,E73,E74
 VCC2 — E24,E25,E30,E31,E36,E37,E41,E42, E53,E54,E59,E60,E65,E66,E71,E72
 +5VNCR — E1, E8, E9, E15,E16,E45,E51,E52,E57,E58,E63,E64,E69,E70
 +5VCR — E3 THRU E7, E10 THRU E14, E17 THRU E23, E28,E29,E35,E40,E46

REVISIONS		
CHK	CHANGE NO.	REV.

REV. D
 M8044-0-1
 DCS