

DELETED COMPONENTS	
RESISTORS	R9
DIODES	D10, D2

NOTES:  
 1. APPLY ITEM # 71 (INSULATION) ON BOTH SIDES OF ITEM # 2 (PCB) BETWEEN ITEM # 1 AND ITEM # 2, AND ITEM # 45 (HEAT SHIELD) IN ALL CASES OTHERWISE INDICATED.  
 2. RESISTORS ARE 1/4 WATT.  
 3. ADD INSULATION (9107256-11) TO BOTH LEADS OF R38 TO AVOID SHORT TO ETCH.

QTY	REF DESIGNATION	DESCRIPTION	PART NO.	ITEM NO.
1	INSULATION	9107256-11	50	
1	R38	RES 220 1/4W 5%	1300271	51
1	R37	RES 10W 1%	1309109	52
1	R38	RES 1K 1/4W 5% THERMISTOR	310071	53
1	C16	CAP 100UF 25V	1002781	54
1	Q10	TRANSISTOR MPS 402	1300125	55
1	Q9	TRANSISTOR MPS 402	1300125	56
1	Q13	TRANSISTOR MPS 402	1300125	57
2	Q4, Q14	TRANSISTOR MPS 402	1300125	58
1	D2	DIODE 1N4001	1102808	59
2	(UNDER Q1, Q2)	TRANSIPAD	9001220	60
1	R31	RES 15K 1/4W 5%	1300127	61
2	C4, C17	CAP 100UF 25V 50% DM	1000842	62
1	R32	RES 10W 1%	1309109	63
2	R33, R36	RES 15K 1/4W 5%	1300127	64
1	R11	RES 15K 1/4W 5%	1300127	65
1	R20	RES 470R 1/4W 5%	1300316	66
3		WASHER INSULATOR	3008121	67
1		COMPOUND THERMAL	900828	68
1		WIRE STRAPPING	9107360 00	69
1		WIRE STRAPPING	9107360 22	70
1		WIRE STRAPPING	120096	71
1		EYELET .054	3008132	72
1		HEAT SINK BRIDGE	1210907	73
1		SOR PH. PIN NO 6-32 X .5	9008024 1	74
2		NEPS NUT 6-32	9008185	75
1		SOR PH. PIN NO. 8-32 X .5	9008022 2	76
1		SOR PH. PIN NO. 4-40 X 1.4	9008032 1	77
1		SOR PH. PIN NO. 4-40 X 1.8	9008031 1	78
10		NEPS NUT 4-40	9008057	79
1		SOR PH. PIN NO 4-40 X 1.4	9008013 1	80
4		TERMINAL	9007330	81
1		COVER COMP	C NO 5309760 0 0	82
1		1.5 CAP. UNIT	C 1A 5309760 0 0	83
1		HEAT SINK REGULATOR	HEAT SINK 1210731 0 0	84
1		BRACKET RES	C 1A 5309760 4	85
4		SPLIT LUG	9008125	86
1		TRANSISTOR 2N4020	15 10077	87
1		FUSE CLIP	9007203	88
1		FUSE 10 A	90 08038	89
1		REACTOR 1.5 H	16 10049	90
1		INTERLOCK CIRCUIT 723	18 10015	91
1		TRANSISTOR MPS 402	15 10078	92
6	Q1, Q2, Q11, Q12, Q13	SOR PH. PIN NO 4-40 X 1.4	9008142	93
1	Q5	TRANSISTOR 2N4020	15 10079	94
1	Q2	TRANSISTOR 2N4020	15 10080	95
2	Q1, Q3	TRANSISTOR 2N4020	15 10080	96
1	R17, R21	RES VARIABLE 200 20% POT	13 10052	97
2	R22, R26	RES 5K 1/4W 5%	13 09422	98
1	R16	RES 2.2K 1/4W 1%	13 02457	99
REF		ELECTRICAL SCHEMATIC	E-C5-H754-O-1	100
3	R14, R13, R5	RES 10K 1/4W 5%	13 01527	101
1	R10	RES 150 1/4W 5%	13 02250	102
REF		ASSY/DRILLING HOLE LAYOUT	D-AH-H754-O-5	103
2	R1, R40	RES 2K 1/4W 5%	1302388	104
1	R6, R15	RES 10K 1/4W 5%	13 09488	105
6	R18, R20, R30, R24, R35, R44	RES 100 1/4W 5%	13 02225	106
1	R12	RES 680 1/4W 5%	13 00216	107
1	R27	RES 10K 1/4W 1%	1303212	108
1	R32	RES 3K 1/4W 5%	13 05144	109
1	R16	RES 20K 1/4W 1%	13 05144	110
1	R29	RES 10K 1/4W 5%	13 09485	111
1	C11	CAP 2.2UF 50V 50% TANIT	10 02041	112
1	R4	RES 5K 1/4W 5%	13 01342	113
1	R3	RES 1.5K 5W 5%	13 01457	114
1	R34	RES 47 2W 5%	13 01415	115
1	R28	RES 1.5K 1/4W 5%	13 00391	116
2	R1, R2	RES 3.9K 1/4W 5%	13 02027	117
1	R28	RES 47 1/4W 5%	13 00202	118
2	D11, D6	DIODE 1N4524	1102420	119
1	D4	DIODE 752A ZENER	1102808	120
1	D9	DIODE MCR 649 P 2	11 09485	121
1	D7	DIODE 1N4733 2.1V	11 10056	122
1	D6	DIODE 1N4733 2.1V	11 10115	123
1	D3	DIODE 1N4744 ZENER 1.1V	11 05648	124
1	D1	DIODE 1N4744 ZENER 1.1V	11 10214	125
3	D5, D13, D4	DIODE 1N4733 2.1V	11 10214	126
1	C15	CAP .1UF 100V 20% DISC	10 00160	127
1	C9	CAP 2.2UF 50V 50% AL EL	10 08059	128
5	C7, C8, C10, C2	CAP .01UF 50V 20% DISC	10 01610	129
1	C6	CAP 2700PF 100V 5% DM	10 01637	130
1	C5	CAP 50PF 100V 5% DM	10 00012	131
1	J1	LAMP 25V 30 MA	12 1232	132
1	C12	CAP .01UF 50V 20% DISC	10 01774	133
2	C1, C2	CAP .5UF 50V 20% AL EL	10 01610	134
1		ETCHED CIRCUIT BOARD	501251	135
1		MODULE ECO HISTORY	1300125	136
1		I-T COORDINATE HOLE LOCATION	1300125	137

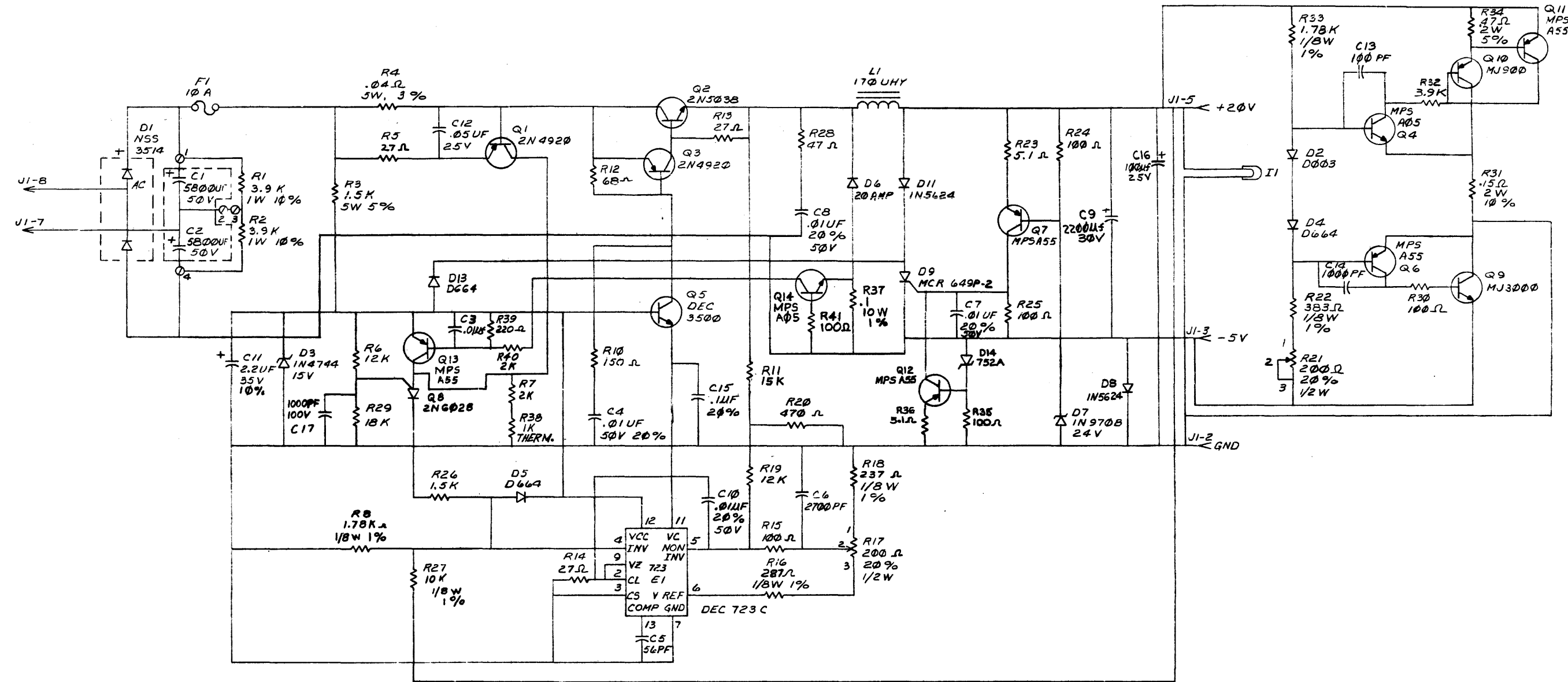
IC TYPE	QTY	CHG	5V	ITEM NO.	AWG	FROM PT	TO PT

IC PIN LOCATIONS	JUMPER LIST

DATE: 1/13/73	DESIGNED BY: [Signature]	CHECKED BY: [Signature]	DATE: 1/13/73
PROJECT: H754-00001	REV: 1	DATE: 1/13/73	BY: [Signature]
TITLE: 20 VOLT REGULATOR			
DEC NO.:	EIA NO.:	DEC NO.:	EIA NO.:
SEMICONDUCTOR CONVERSION CHART			
SHEET 1 OF 2			

This drawing and specifications herein are the property of Digital Equipment Corporation and shall not be reproduced or copied or used in whole or in part as the basis for the manufacture or sale of items without written permission.

© 1974 DIGITAL EQUIPMENT CORPORATION



REV	NO	DATE	BY
F	0005	1-29-74	G. WHITCOMB
CHK	H754-0005		

DEC FORM NO 107-R

FIRST USED ON OPTION/MODEL	QTY.	DESCRIPTION	PART NO.	ITEM NO.
H754				
UNLESS OTHERWISE SPECIFIED DIMENSION IN INCHES. TOLERANCES				
DECIMALS	ANGLES	PARTS LIST		
.XXX - .006	± 0° 30'	DRN	DATE	
.XX - .02		CHK'D	DATE	
.X - .1		ENG.	DATE	
REMOVE BURRS AND BREAK SHARP CORNERS SURFACE QUALITY		PROJ. ENG.	DATE	
		PROD.	DATE	
MATERIAL		NEXT HIGHER ASSY.		
FINISH		SCALE		
		SHEET 2 OF 2		
		SIZE CODE	NUMBER	REV.
		D	CS H754-0-1	F
		TITLE		
		+20 VOLT REGULATOR		

DATE CODE H754-0-1