

ILLUSTRATED PARTS BREAKDOWN

H754 REGULATOR

HOW TO USE THE IPB

GENERAL

This IPB is compiled following the organization and nomenclature of the engineering drawing structure.

MAJOR ASSEMBLY LOCATOR

The Major Assembly Locator (first illustration) is an index that provides a description and a figure reference for all illustrations used in this manual.

INDENTED PARTS LIST

This manual identifies each assembly being broken down (figure reference callout), and all parts of that assembly. Further breakdown of an assembly is shown by an asterisk (*) preceding the item callouts in the Description Column. The number of asterisks preceding an item is used to denote the subordination of that item with respect to the Major Assembly. A single asterisk preceding an item description indicates that the item is part of the major assembly being illustrated. Items that are subordinate to single asterisks items, are denoted by two asterisks (**) and immediately follow the related single asterisk item. Additional asterisks are used, as required, to denote further subordination. This system of part identification, provides a means for the user to identify the next higher assembly item and make alternate selections for parts when the required replacement part or assembly is not immediately available.

COLUMN CALLOUT DESCRIPTION

Figure & Item — Indicates the figure number and item number of each part.

Description — Lists the name of the part and pertinent specifications (when required). Asterisks preceding the description denote the subordination of the part to the next higher assembly.

DEC Part No. — Lists the DEC part ordering number. A blank in this column indicates a DEC part number was not assigned at the time of publication.

ECO Cut-In — The notation at the top of this column indicates the ECO level of the system (option), at which the IPB was initially prepared. Subsequent ECO level designations, that modify existing parts or add new parts to the device, are inserted in the ECO Cut-In column next to the part that is added or modified. A bracket ([]) preceding the item description is used to indicate the parts affected by ECO's.

Vendor Code/Part No. — Indicates vendor parts that are not stocked by DEC. Refer to the Field Service Spares Catalog (vendor part number to DEC part number) for the vendor code cross-reference.

Used On Code — Letters in this column correspond to the variation codes assigned in Figure 1. Parts with an Alpha notation(s) are used only in those option variations. A blank indicates that the part is used on all option variations.

Ref Fig No. — A cross reference between illustrations. For each Major Assembly, the number in this column denotes the figure of the next higher assembly. For all subassemblies, the number in this column denotes the figure showing additional detailed breakdown.

SYMBOL USAGE

Hardware Designators — Alpha designators for screws (S), washers (W), nuts (N), and retaining rings (R) are inserted after the item number callouts on the illustration when stacked item numbers are used.

Attaching Hardware — The @ symbol is inserted before any part that is used as attaching hardware. Attaching hardware is denoted as those parts that are not an integral part of the referenced assembly.

(NFR) Not Field Repairable — The (NFR) symbol is inserted after any assembly that is not to be field dismantled.

Other Symbols — Any other symbols that are required for kits, accessories, etc., will be explained and appear as part of the item description.

REVISION HISTORY

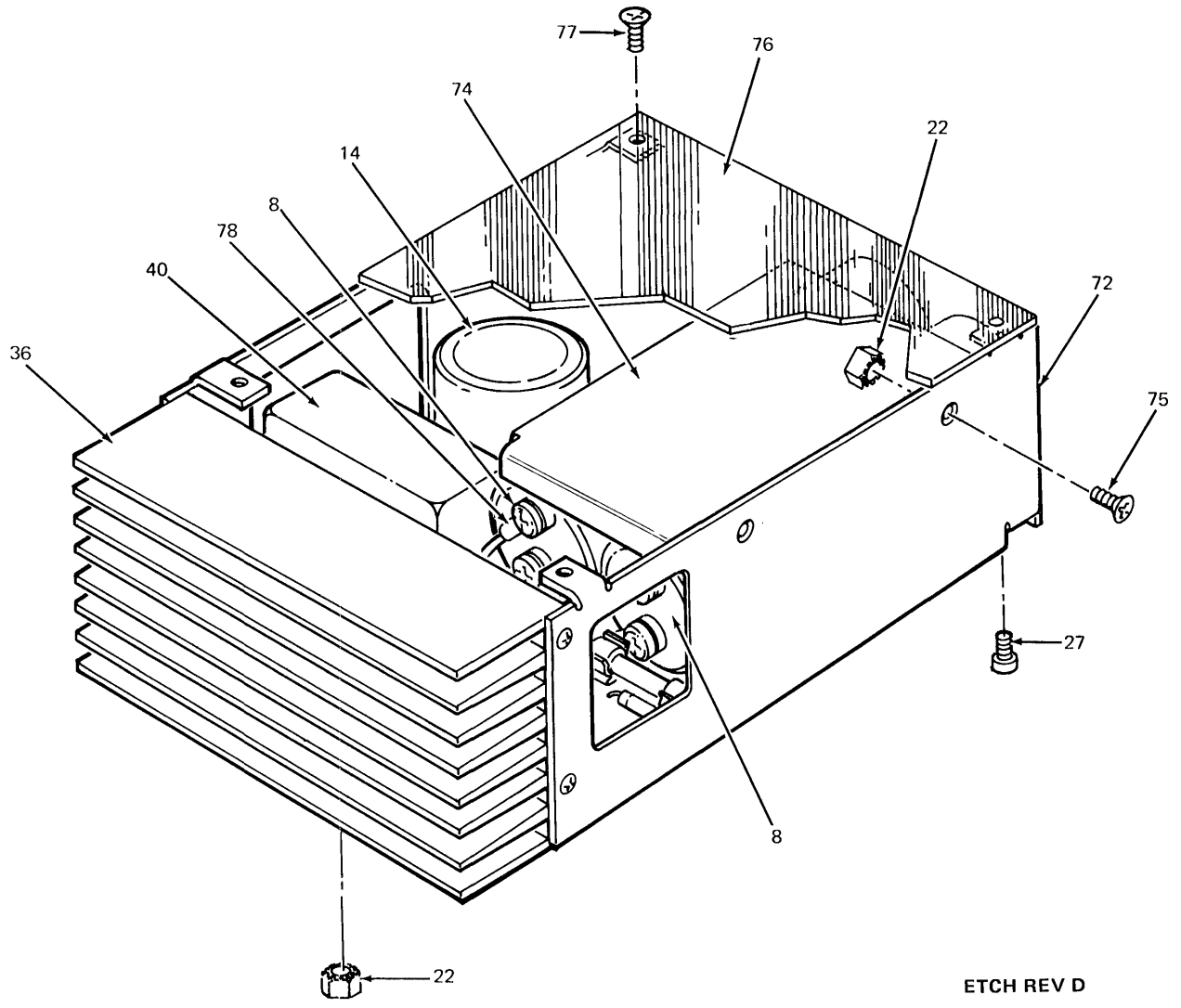
PRINTING	ECO LEVEL	DATE	PAGES AFFECTED
1st Printing	H754 00002 - 00006	7-3-74	N/A

Copyright © 1974, by Digital Equipment Corporation

DEC reserves the right, without notice, to make substitutions and modifications in the specifications of products documented in this manual and further reserves the right to withdraw any of these products from the market without notice.

DEC is not responsible for errors which may appear in the technical description (including illustrations and photographs) of the products covered by this manual.

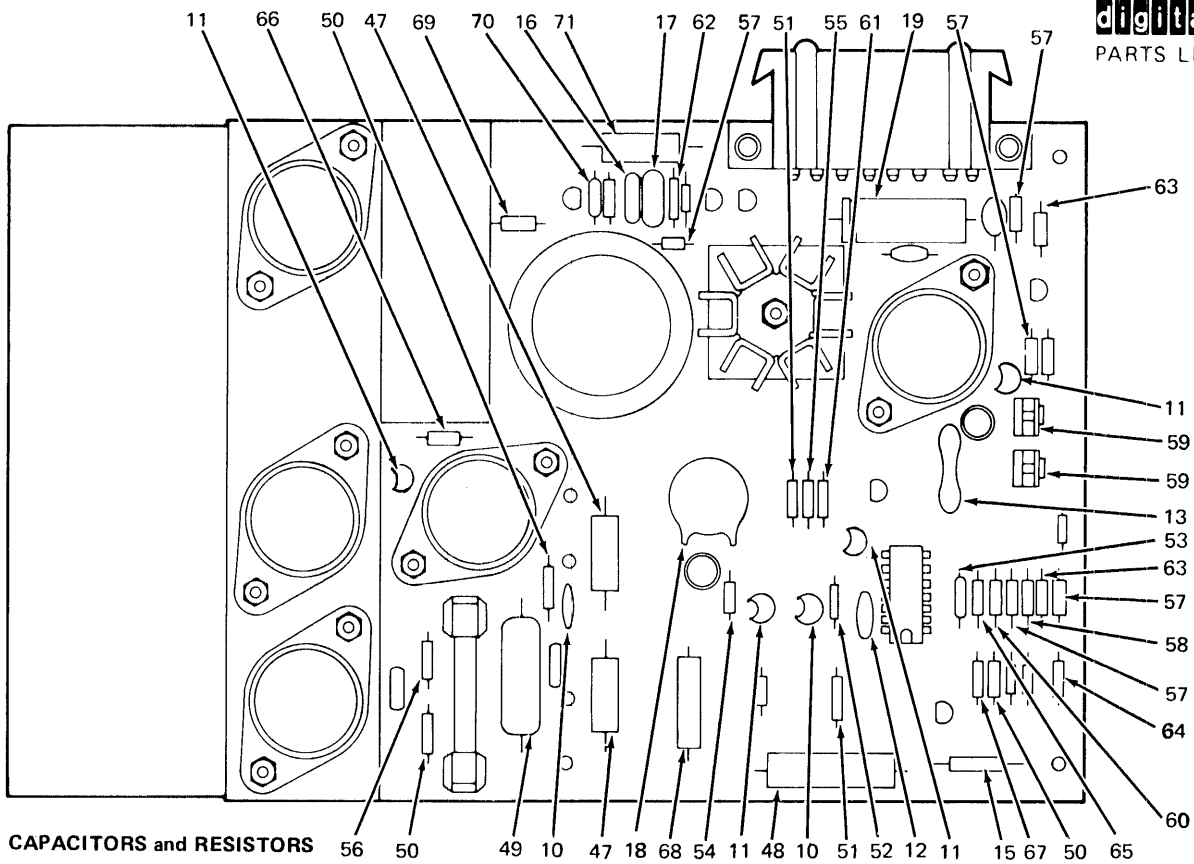
None of the descriptions contained in this manual imply the granting of any license whatsoever to make, use or sell equipment constructed in accordance therewith.



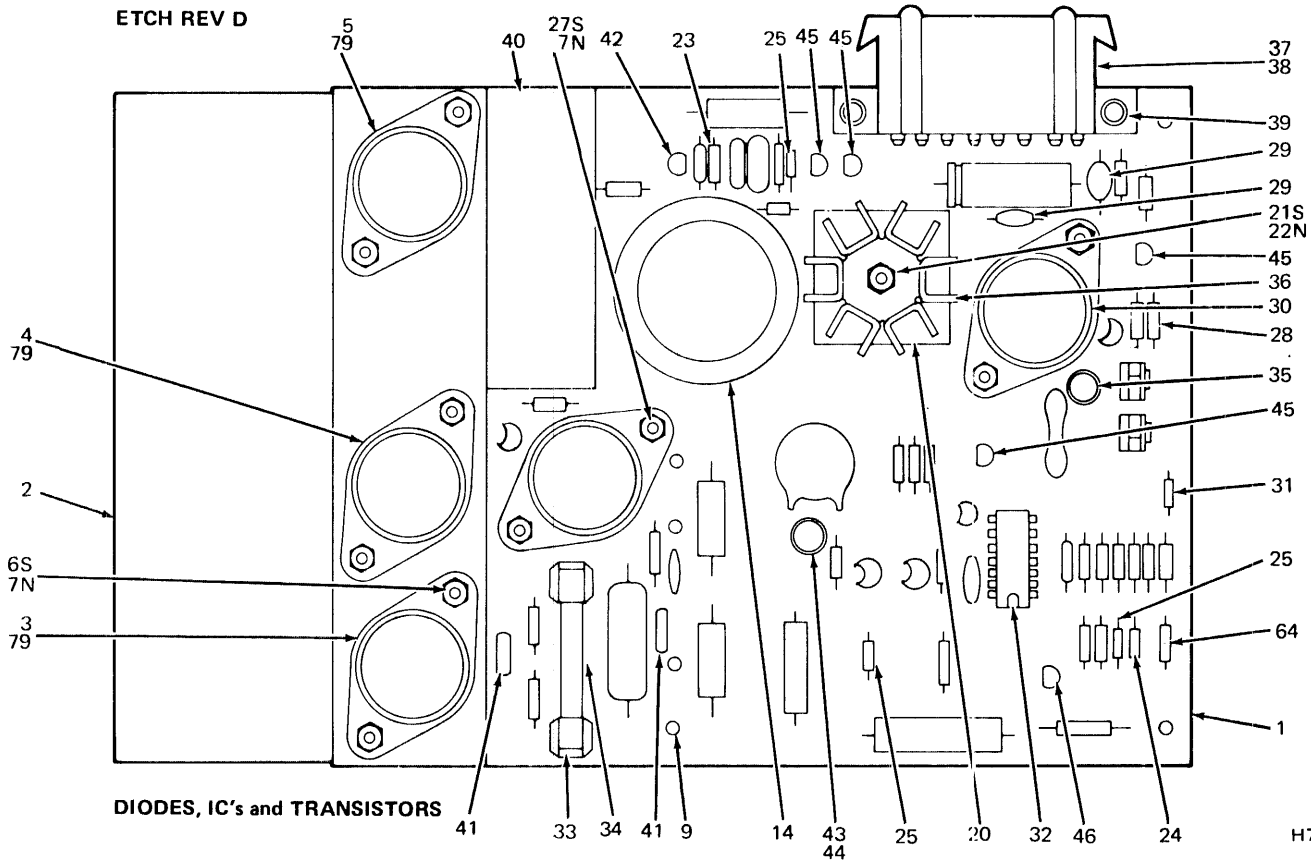
ETCH REV D

H754-01

Figure 1. H754 Regulator Assembly (Etch Rev. D) Sheet 1 of 2



ETCH REV D



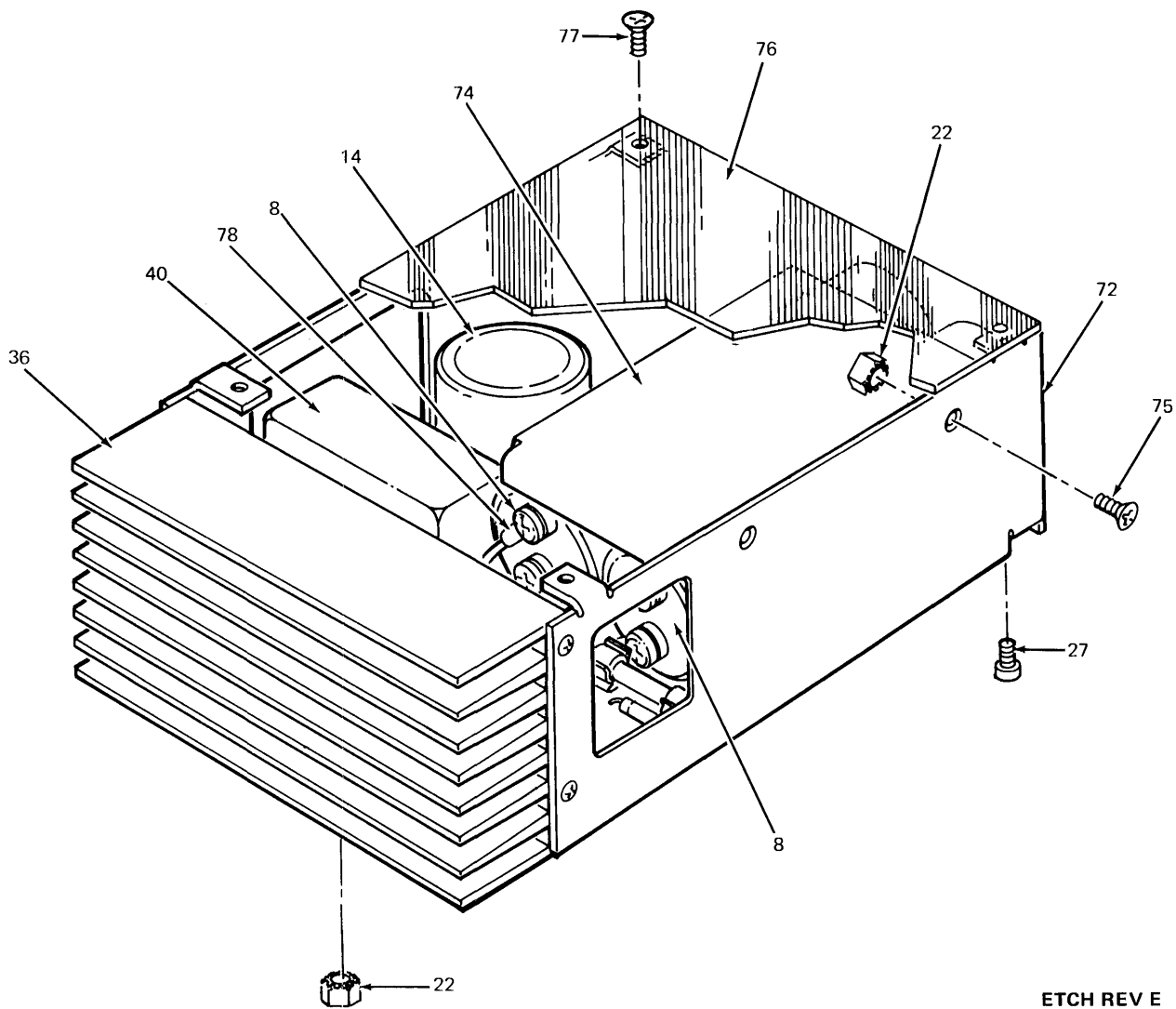
ETCH REV. D

H754-02

Figure 1. H754 Regulator Assembly (Etch Rev. D) Sheet 2 of 2

FIG & ITEM NO.	DESCRIPTION	DEC PART NO.	ECO CUT-IN H754 00002	USED ON CODE	VENDOR		REF FIG NO.
					CODE	PART NO.	
1--	H754 REGULATOR ASSEMBLY + 20V (ETCH REV D)	H754-00					
1	*Board, Etched Circuit (Etch Rev D)	50-10531-00					
2	*Heat Sink, Regulator	12-10737-00					
3	*Transistor (Q2) 2N5308	15-10969-00					
4	*Transistor (Q9) MJ3000	15-11349-00					
5	*Transistor (Q10) MJ900	15-10712-00					
6	*Screw, Phl Pan Hd No. 4-40 x 1/2	90-06013-01					
7	*Nut, Kep No. 4-40	90-06557-00					
8	*Capacitor (C1, C2) 5.8K MFD 50V	10-11363-00					
9	*Lug, Split	90-06735-00					
10	*Capacitor (C3, C12) .05 MFD	10-01774-00					
11	*Capacitor (C4, C7, C8, C10) .01 MFD 50V 20%	10-01610-00					
12	*Capacitor (C5) 56 PFD 100V 5%	10-00012-00					
13	*Capacitor (C6) 2700 PFD 100V 5%	10-01637-00					
14	*Capacitor (C9) 2.2K MFD 30V	10-10859-00					
15	*Capacitor (C11) 2.2 MFD 35V 5%	10-02431-00					
16	*Capacitor (C13) 100 PFD 100V ±5%	10-00016-00					
17	*Capacitor (C14) 1000 PFD 100V ±5%	10-00042-00					
18	*Capacitor (C15) .1 MFD 100V 20%	10-00030-00					
19	*Capacitor (C16) 100 MFD 25V	10-02781-00					
20	*Diode (D1) NSS 3514	11-10714-00					
21	*Screw, Phl Pan Hd No. 6-32 x 1/2	90-06024-01					
22	*Nut, Kep No. 6-32	90-08185-00					
23	*Diode (D2) D003	11-00100-00					
24	*Diode (D3) Zener IN4744 15V	11-05648-00					
25	*Diode (D4, D5, D13) D664	11-00114-00					
26	*Diode (D6) 20 AMP FAST REC.	11-10715-00					
27	*Screw, Phl Pan Hd No. 4-40 x 3/8	90-06011-01					
28	*Diode (D7) IN9708 24V	11-10856-00					
29	*Diode (D8, D11) IN5624	11-10420-00					
30	*Diode (D9) MCR 649 P-2	11-09465-00					
31	*Diode (D14) Zener 752A	11-02808-00					
32	*Integrated Circuit (E1) 723	19-10415-00					
33	*Clip, Fuse	90-07203-00					
34	*Fuse (F1) 10 Amp	90-08838-00					
35	*Lamp (I1) 28V 40 MA (See Note 1)	12-11239-00					
36	*Heat Sink, Bridge Rectifier	12-10907-00					
37	*Connector (J1) Mate-N-Lok (8 pin)	12-09340-00					
38	*Pin, Socket Mate-N-Lok	12-09456-00					
39	*Eyelet, GS4-7	90-06732-00					
40	*Reactor (L1) 170 MH	16-10849-00					
41	*Transistor (Q1, Q3) 2N4920	15-09605-00					
42	*Transistor (Q4) MPS A05	15-10705-00					
43	*Transistor (Q5) DEC 3500	15-03209-00					
44	*Transipads	90-07200-00					
45	*Transistor (Q6, Q7, Q11, Q12) MPS A55	15-10706-00					
46	*Transistor (Q8) 2N6028	15-10877-00					
47	*Resistor (R1, R2) 3.9K Ohm 1W 10%	13-02927-00					
48	*Resistor (R3) 1.5K Ohm 5W 5%	13-01897-00					
49	*Resistor (R4) .04 Ohm 5W 3%	13-11362-00					
50	*Resistor (R5, R13, R14) 27 Ohm	13-01522-00					
51	*Resistor (R6, R19) 12K Ohm 1/4W 5%	13-00488-00					
52	*Resistor (R7) 4.7K Ohm 1W 5%	13-00447-00					
53	*Resistor (R8) 18.2K Ohm 1/8W 1%	13-09412-00					
54	*Resistor (R10) 150 Ohm 1/4W 5%	13-00250-00					
55	*Resistor (R11) 15K Ohm 1/4W 5%	13-00496-00					
56	*Resistor (R12) 88 Ohm 1/4W 5%	13-00219-00					
57	*Resistor (R15, R24, R25, R30, R35) 100 Ohm 1/4W 5%	13-00229-00					
58	*Resistor (R16) 511 Ohm 1/8W 1%	13-02411-00					

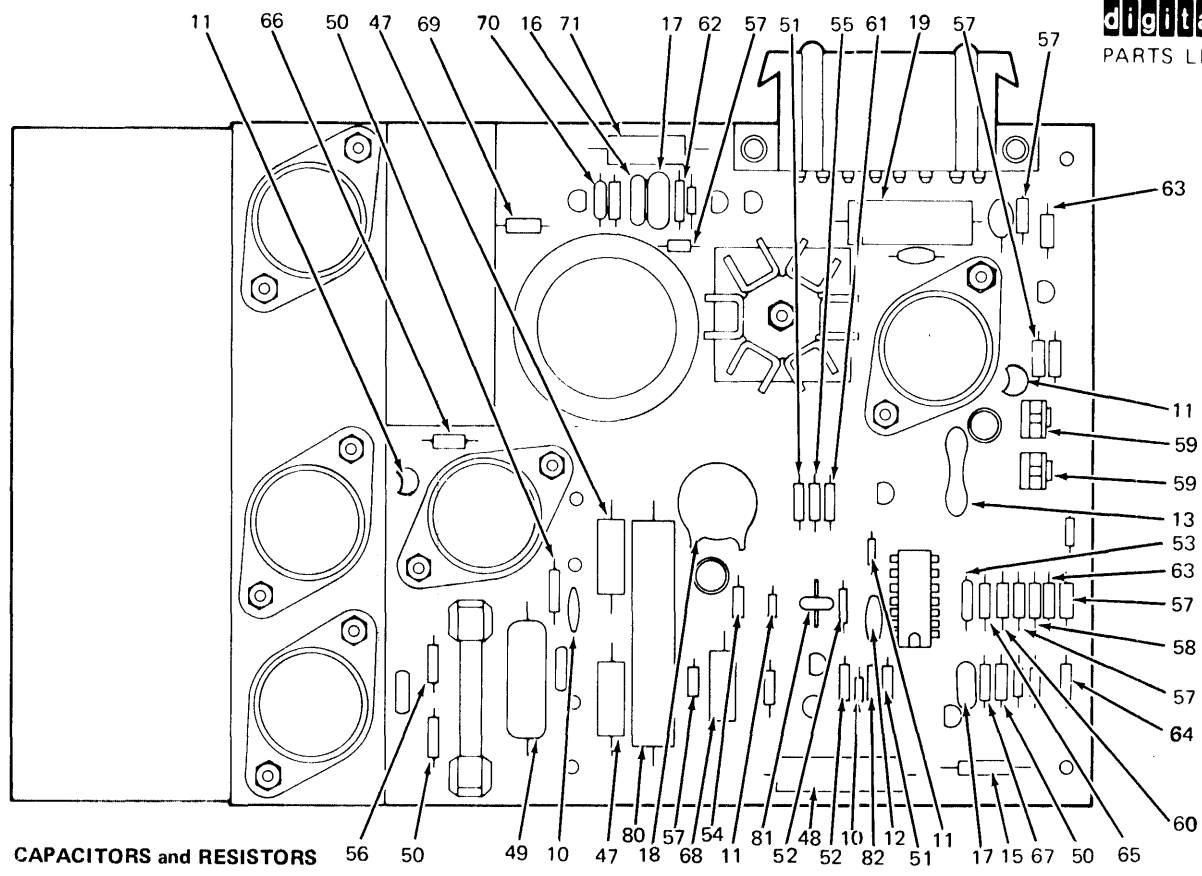
FIG & ITEM NO.	DESCRIPTION	DEC PART NO.	ECO CUT-IN H754 00002	USED ON CODE	VENDOR		REF FIG NO.
					CODE	PART NO.	
1--							
59	*Resistor (R17,R21) Potentiometer 200 Ohm ±20% (See Note 1)	13-10852-00					
60	*Resistor (R18) 422 Ohm 1/8W 1%	13-03067-00					
61	*Resistor (R20) 470 Ohm 1/4W ±5%	13-00316-00					
62	*Resistor (R22) 383 Ohm 1/8W ±1%	13-05125-00					
63	*Resistor (R23, R36) 5.1 Ohm 1/4W 5%	13-09422-00					
64	*Resistor (R26) 1.5K Ohm 1/4W	13-00391-00					
65	*Resistor (R27) 100K Ohm 1/8W 1%	13-03044-00					
66	*Resistor (R28) 47 Ohm 1/4W 5%	13-00202-00					
67	*Resistor (R29) 18K Ohm 1/4W 5%	13-02465-00					
68	*Resistor (R31) .15 Ohm 2W 10%	13-10147-00					
69	*Resistor (R32) 3.9K Ohm 1/4W 5%	13-00444-00					
70	*Resistor (R33) 1.78K Ohm 1/8W ±1%	13-02612-00					
71	*Resistor (R34) .47 Ohm 2W 5%	13-05258-00					
72	*Bracket, Regulator	53-09756-04					
73	*Screw, Phi Flt Hd Self Tapping No. 4-40	90-09142-00					
74	*Bracket, Capacitor	53-09758-00					
75	*Screw, Phi Flt Hd No. 6-32 x 5/16	90-06021-02					
76	*Cover	53-09760-00					
77	*Screw, Phi Flt Hd No. 4-40 x 1/4	90-06009-02					
78	*Terminal, Solderless	90-07930-00					
79	*Washer, Insulator	90-06721-00					
	NOTE 1: Lamp (Item 35) repositioned and Resistor-R21 (Item 59) relocated on retrofit boards per ECO-00006						



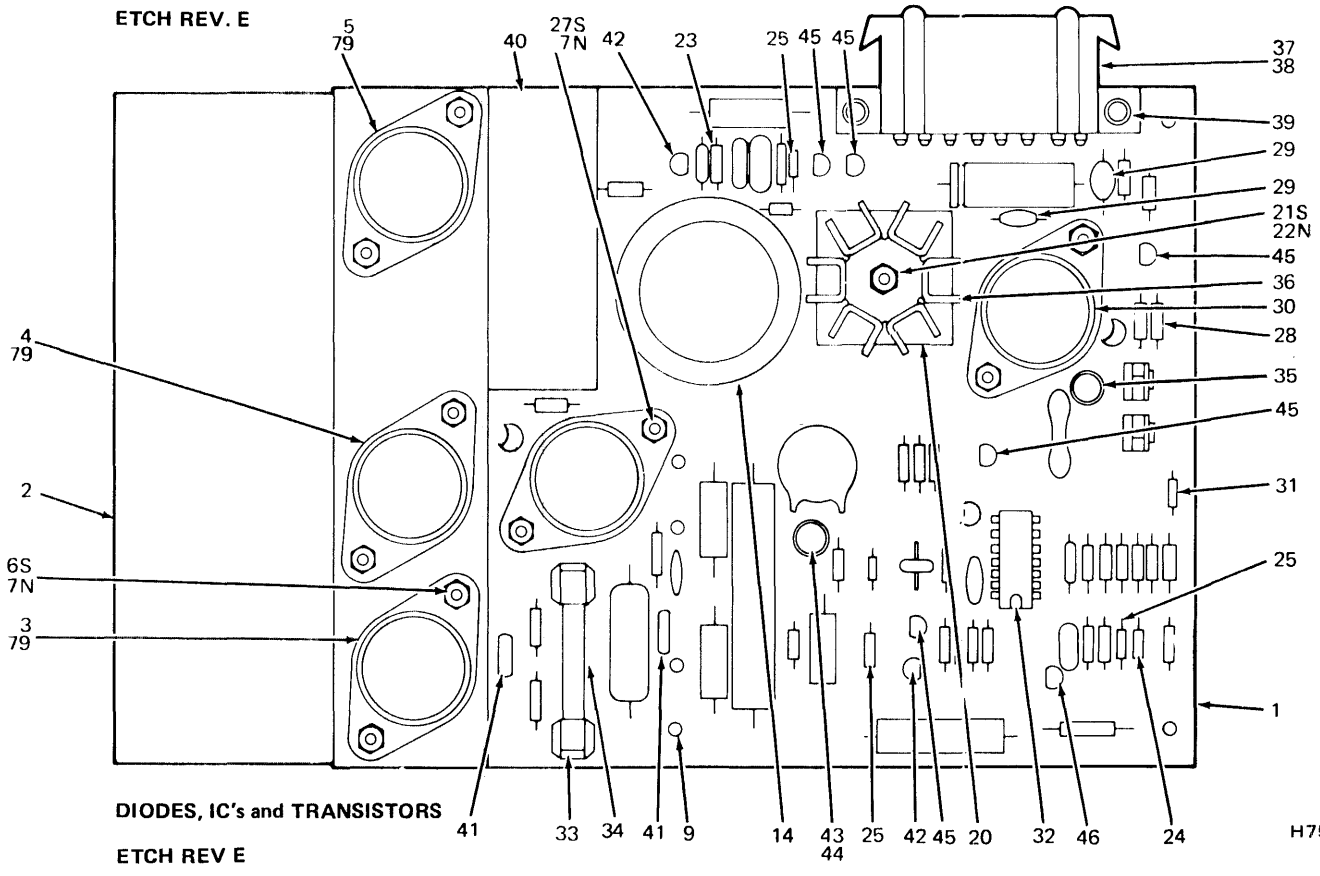
ETCH REV E

H754-01

Figure 2. H754 Regulator Assembly (Etch Rev. E) Sheet 1 of 2



ETCH REV. E



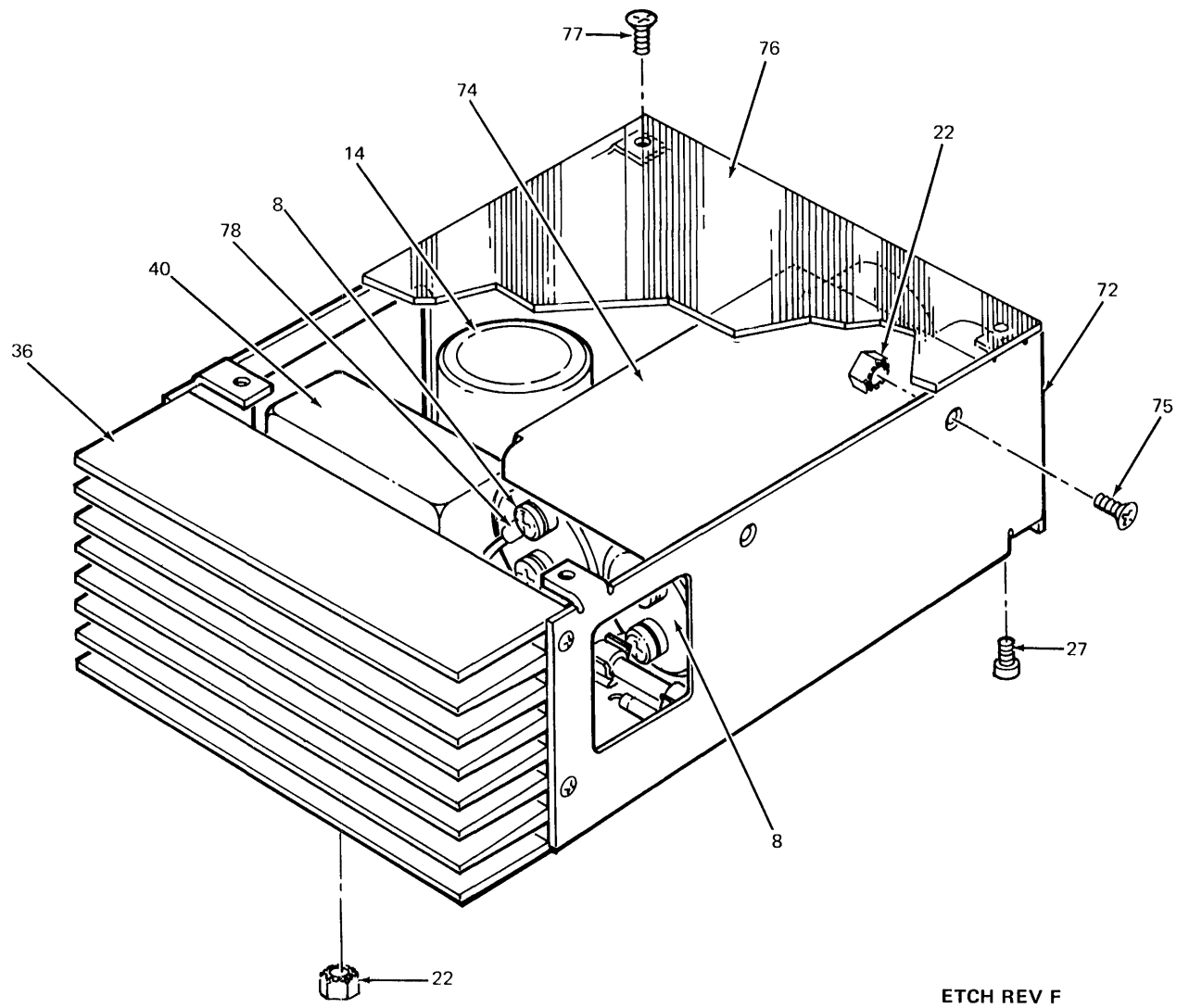
ETCH REV E

H754-03

Figure 2. H754 Regulator Assembly (Etch Rev. E) Sheet 2 of 2

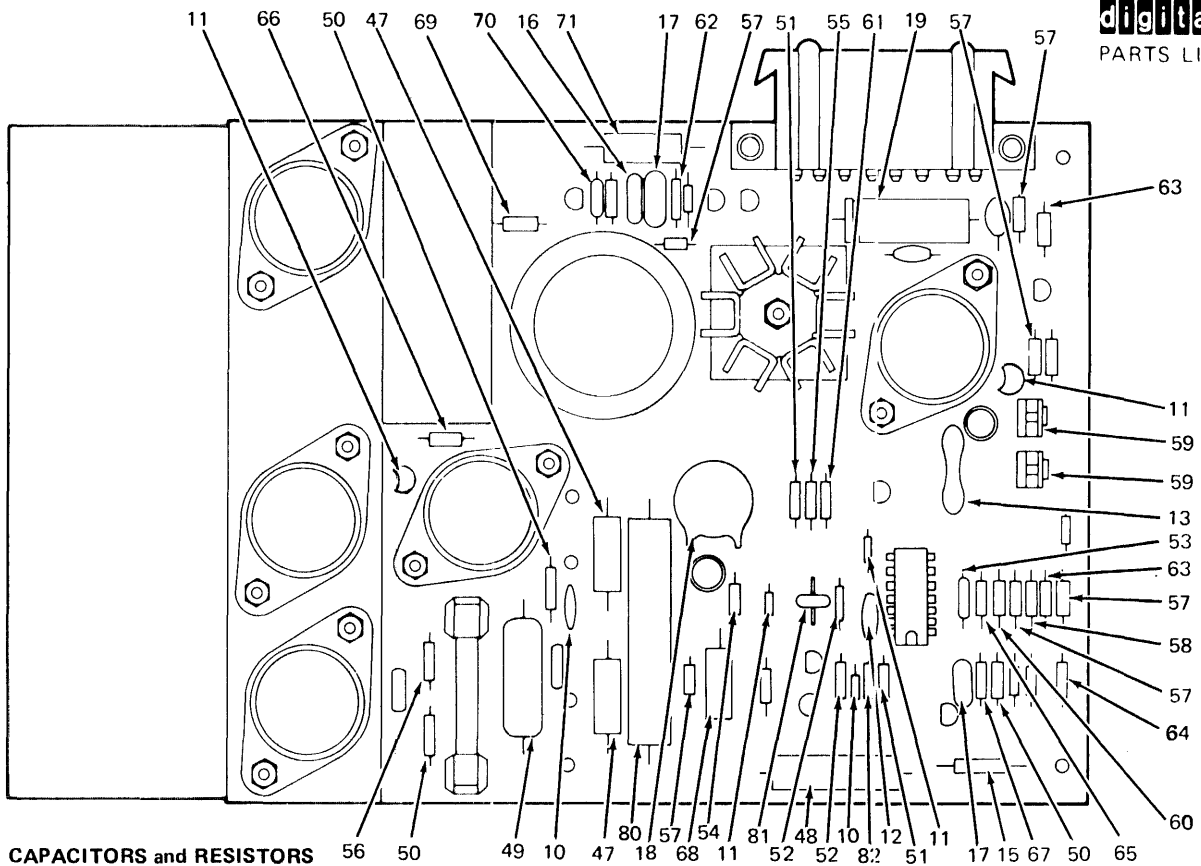
FIG & ITEM NO.	DESCRIPTION	DEC PART NO.	ECO CUT-IN	USED ON CODE	VENDOR		REF FIG NO.
			H754 00003		CODE	PART NO.	
2--	H754 REGULATOR ASSEMBLY +20V (ETCH REV E)	H754-00					
1	*Board, Etched Circuit (Etch Rev E)	50-10531-00					
2	*Heat Sink, Regulator	12-10737-00					
3	*Transistor (Q2) 2N5308	15-10969-00					
4	*Transistor (Q9) MJ3000	15-11349-00					
5	*Transistor (Q10) MJ900	15-10712-00					
6	*Screw, Phi Pan Hd No. 4-40 x 1/2	90-06013-01					
7	*Nut, Kep No. 4-40	90-06557-00					
8	*Capacitor (C1, C2) 5.8K MFD 50V	10-11363-00					
9	*Lug, Split	90-06735-00					
10	*Capacitor (C3, C12) .05 MFD	10-01774-00					
11	*Capacitor (C4, C7, C8, C10) .01 MFD 50V 20%	10-01610-00					
12	*Capacitor (C5) 56 PFD 100V 5%	10-00012-00					
13	*Capacitor (C6) 2700 PFD 100V 5%	10-01637-00					
14	*Capacitor (C9) 2.2K MFD 30V	10-10859-00					
15	*Capacitor (C11) 2.2 MFD 35V 5%	10-02431-00					
16	*Capacitor (C13) 100 PFD 100V ±5%	10-00016-00					
17	*Capacitor (C14, C17) 1000 PFD 100V ±5% (See Note 2)	10-00042-00					
18	*Capacitor (C15) .1 MFD 100V 20%	10-00030-00					
19	*Capacitor (C16) 100 MFD 25V	10-02781-00					
20	*Diode (D1) NSS 3514	11-10714-00					
21	*Screw, Phi Pan Hd No. 6-32 x 1/2	90-06024-01					
22	*Nut, Kep No. 6-32	90-08185-00					
23	*Diode (D2) D003	11-00100-00					
24	*Diode (D3) Zener IN4744 15V	11-05648-00					
25	*Diode (D4, D5, D13) D664	11-00114-00					
26	*Diode (D6) 20 AMP FAST REC.	11-10715-00					
27	*Screw, Phi Pan Hd No. 4-40 x 3/8	90-06011-01					
28	*Diode (D7) IN9708 24V	11-10856-00					
29	*Diode (D8, D11) IN5624	11-10420-00					
30	*Diode (D9) MCR 649 P-2	11-09465-00					
31	*Diode (D14) Zener 752A	11-02808-00					
32	*Integrated Circuit (E1) 723	19-10415-00					
33	*Clip, Fuse	90-07203-00					
34	*Fuse (F1) 10 Amp	90-08838-00					
35	*Lamp (I1) 28V 40 MA (See Note 1)	12-11239-00					
36	*Heat Sink, Bridge Rectifier	12-10907-00					
37	*Connector (J1) Mate-N-Lok (8 pin)	12-09340-00					
38	*Pin, Socket Mate-N-Lok	12-09456-00					
39	*Eyelet, GS4-7	90-06732-00					
40	*Reactor (L1) 170 MH	16-10849-00					
41	*Transistor (Q1, Q3) 2N4920	15-09605-00					
42	*Transistor (Q4, Q14) MPS A05	15-10705-00					
43	*Transistor (Q5) DEC 3500	15-03209-00					
44	*Transipads	90-07200-00					
45	*Transistor (Q6, Q7, Q11, Q12, Q13) MPS A55	15-10706-00					
46	*Transistor (Q8) 2N6028	15-10877-00					
47	*Resistor (R1, R2) 3.9K Ohm 1W 10%	13-02927-00					
48	*Resistor (R3) 1.5K Ohm 5W 5%	13-01897-00					
49	*Resistor (R4) .04 Ohm 5W 3%	13-11362-00					
50	*Resistor (R5, R13, R14) 27 Ohm	13-01522-00					
51	*Resistor (R6, R19) 12K Ohm 1/4W 5%	13-00488-00					
52	*Resistor (R7, R40) 2K Ohm 1/4W 5%	13-02388-00					
53	*Resistor (R8) 1.8K Ohm 1/4W 5%	13-00398-00					
54	*Resistor (R10) 150 Ohm 1/4W 5%	13-00250-00					
55	*Resistor (R11) 15K Ohm 1/4W 5%	13-00496-00					
56	*Resistor (R12) 88 Ohm 1/4W 5%	13-00219-00					
57	*Resistor (R15, R24, R25, R30, R35, R41) 100 Ohm 1/4W 5%	13-00229-00					
58	*Resistor (R16) 511 Ohm 1/8W 1%	13-02411-00					

FIG & ITEM NO.	DESCRIPTION	DEC PART NO.	ECO CUT-IN H754 00003	USED ON CODE	VENDOR		REF FIG NO.
					CODE	PART NO.	
2 --							
59	*Resistor (R17,R21) Potentiometer 200 Ohm ±20% (See Note 1)	13-10852-00					
60	*Resistor (R18) 422 Ohm 1/8W 1%	13-03067-00					
61	*Resistor (R20) 470 Ohm 1/4W ±5%	13-00316-00					
62	*Resistor (R22) 383 Ohm 1/8W ±1%	13-05125-00					
63	*Resistor (R23, R36) 5.1 Ohm 1/4W 5%	13-09422-00					
64	*Resistor (R26) 1.5K Ohm 1/4W	13-00391-00					
65	*Resistor (R27) 10K Ohm 1/4W 5%	13-00479-00					
66	*Resistor (R28) 47 Ohm 1/4W 5%	13-00202-00					
67	*Resistor (R29) 18K Ohm 1/4W 5%	13-02465-00					
68	*Resistor (R31) .15 Ohm 2W 10%	13-10147-00					
69	*Resistor (R32) 3.9K Ohm 1/4W 5%	13-00444-00					
70	*Resistor (R33) 1.78K Ohm 1/8W ±1%	13-02612-00					
71	*Resistor (R34) .47 Ohm 2W 5%	13-05258-00					
72	*Bracket, Regulator	53-09756-04					
73	*Screw, Phi Fit Hd Self Tapping No. 4-40	90-09142-00					
74	*Bracket, Capacitor	53-09758-00					
75	*Screw, Phi Fit Hd No. 6-32 x 5/16	90-06021-02					
76	*Cover	53-09760-00					
77	*Screw, Phi Fit Hd No. 4-40 x 1/4	90-06009-02					
78	*Terminal, Solderless	90-07930-00					
79	*Washer, Insulator	90-06721-00					
80	*Resistor (R37) .1 Ohm 10W 1%	13-09108-00					
81	*Resistor (R38) Thermistor 1K Ohm	13-10071-00					
82	*Resistor (R39) 220 Ohm 1/4W 5%	13-00271-00					
	NOTE 1: Lamp (Item 35) repositioned and Resistor-R21 (Item 59) relocated on retrofit boards per ECO-00006						
	NOTE 2: Capacitor - C17 (Item 17) added to retrofit boards per ECO-00004						

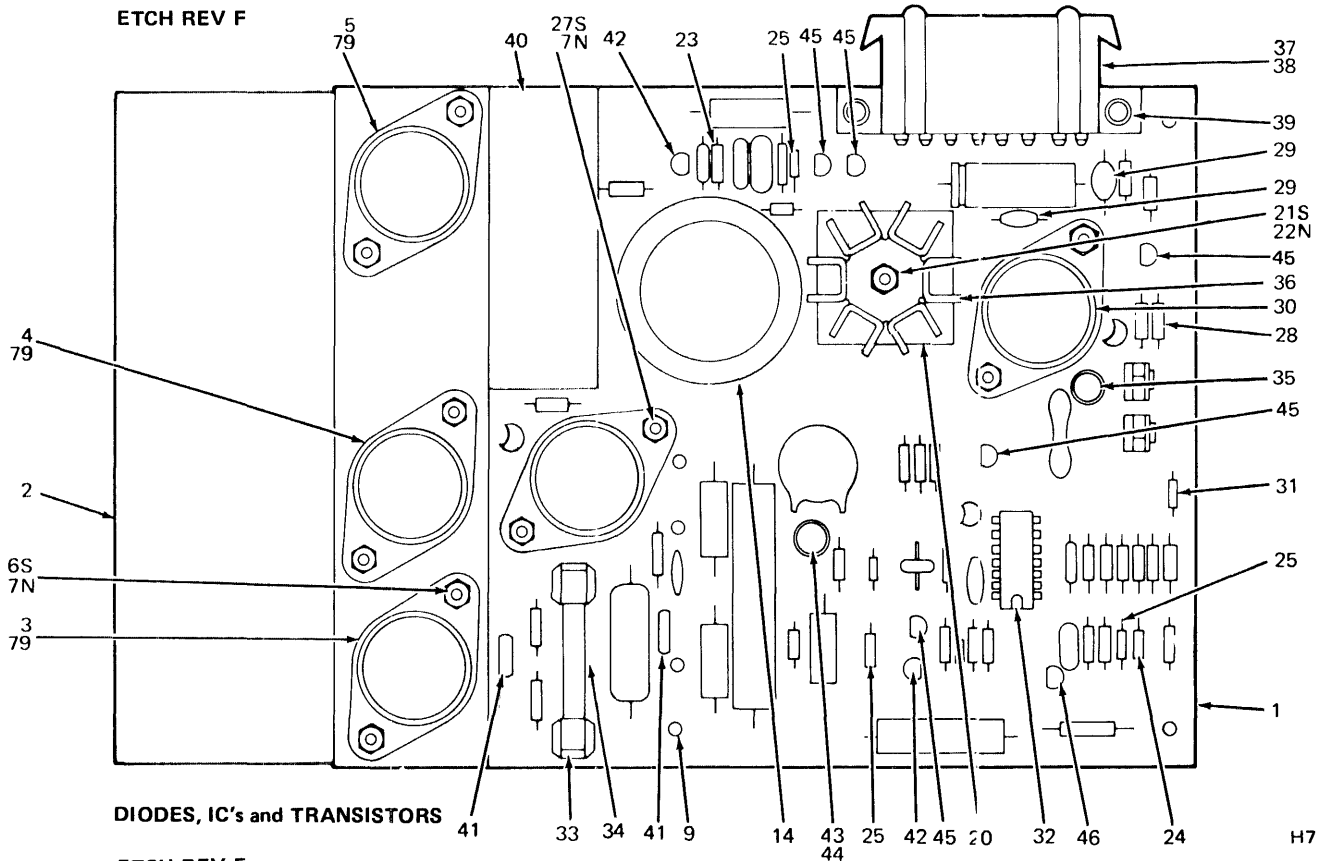


H754-01

Figure 3. H754 Regulator Assembly (Etch Rev. F) Sheet 1 of 2



ETCH REV F



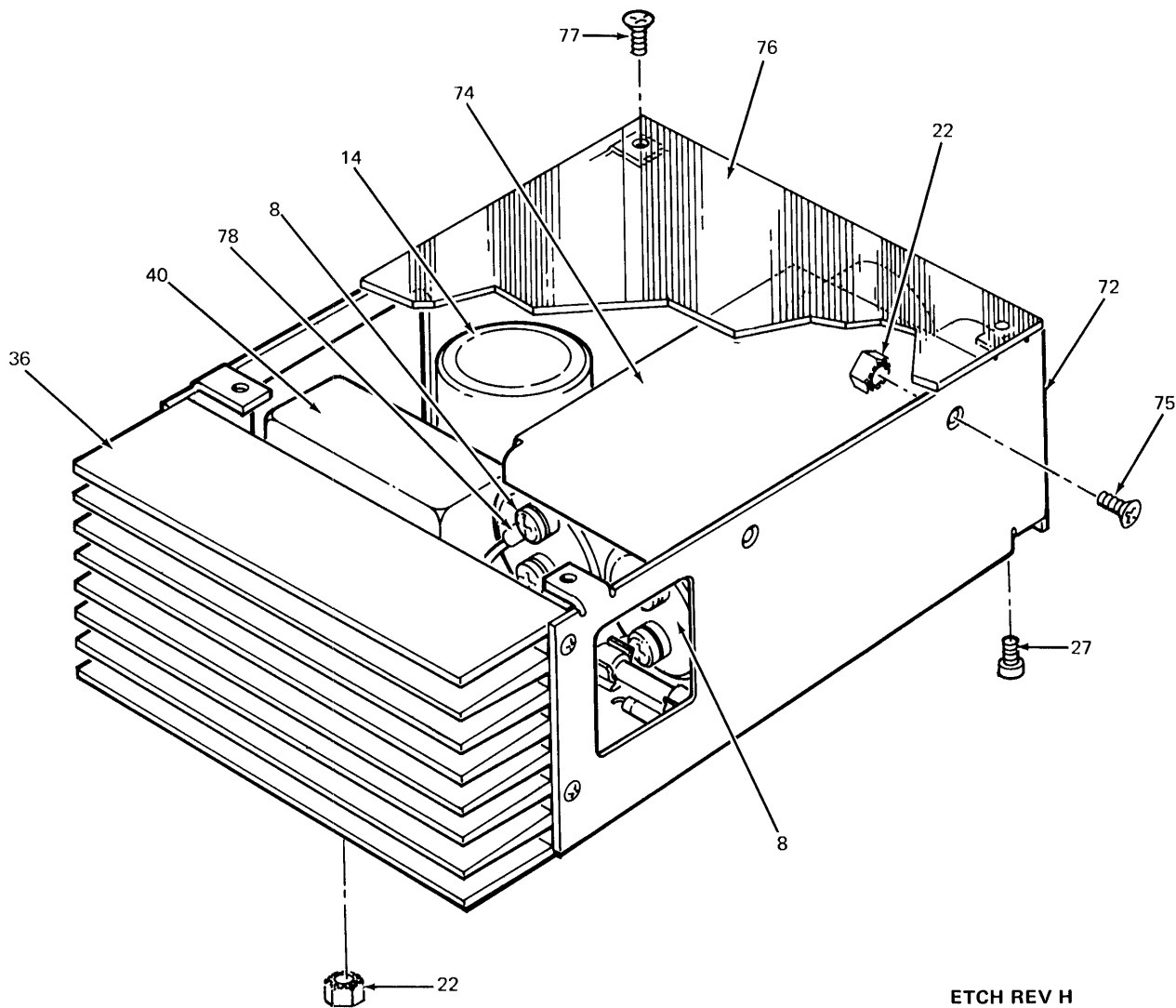
H754-03

ETCH REV F

Figure 3. H754 Regulator Assembly (Etch Rev. F) Sheet 2 of 2

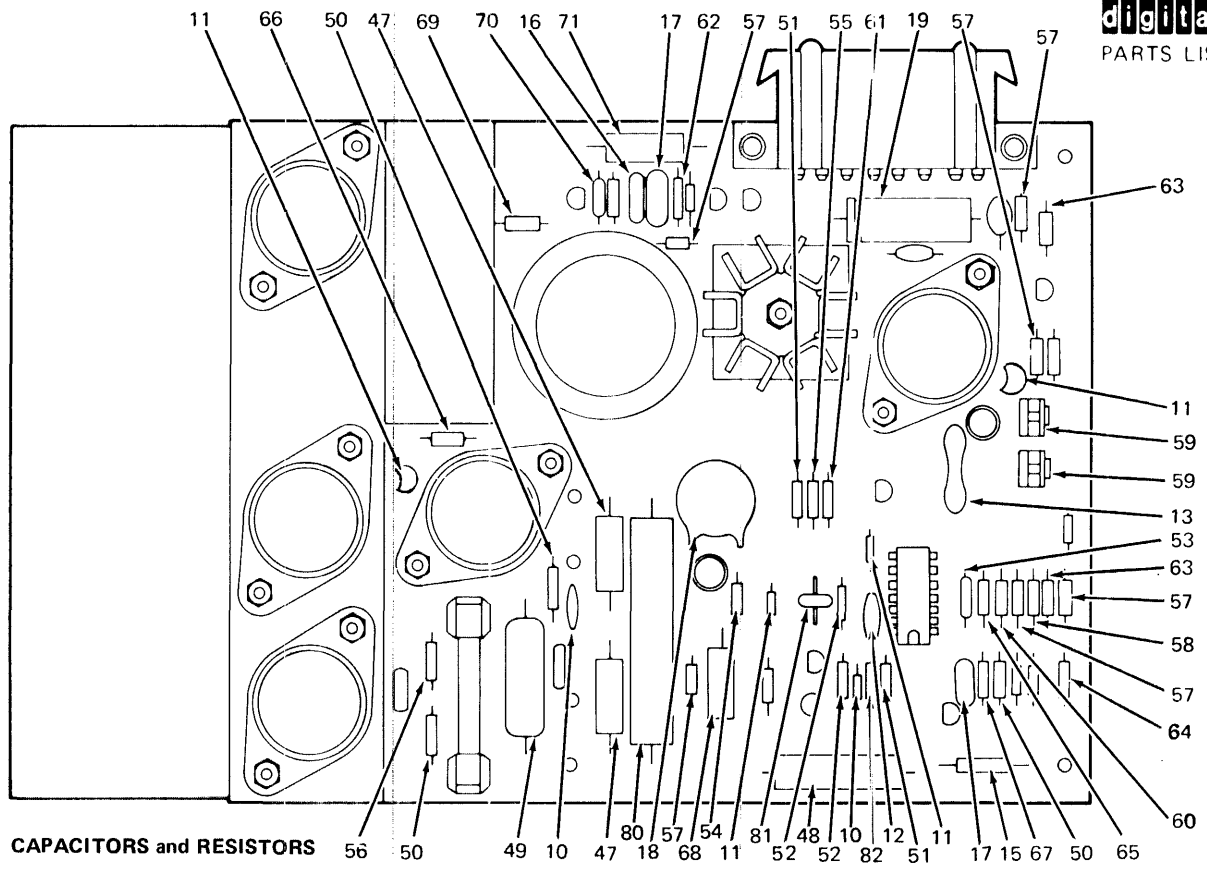
FIG & ITEM NO.	DESCRIPTION	DEC PART NO.	ECO CUT-IN	USED ON CODE	VENDOR		REF FIG NO.
			H754 00004		CODE	PART NO.	
3--	H754 REGULATOR ASSEMBLY +20V (ETCH REV F)	H754-00					
1	*Board, Etched Circuit (Etch Rev F)	50-10531-00					
2	*Heat Sink, Regulator	12-10737-00					
3	*Transistor (Q2) 2N5308	15-10969-00					
4	*Transistor (Q9) MJ3000	15-11349-00					
5	*Transistor (Q10) MJ900	15-10712-00					
6	*Screw Phl Pan Hd No. 4-40 x 1/2	90-06013-01					
7	*Nut, Kep No. 4-40	90-06557-00					
8	*Capacitor (C1, C2) 5.8K MFD 50V	10-11363-00					
9	*Lug, Split	90-06735-00					
10	*Capacitor (C3, C12) .05 MFD	10-01774-00					
11	*Capacitor (C4, C7, C8, C10) .01 MFD 50V 20%	10-01610-00					
12	*Capacitor (C5) 56 PFD 100V 5%	10-00012-00					
13	*Capacitor (C6) 2700 PFD 100V 5%	10-01637-00					
14	*Capacitor (C9) 2.2K MFD 30V	10-10859-00					
15	*Capacitor (C11) 2.2 MFD 35V 5%	10-02431-00					
16	*Capacitor (C13) 100 PFD 100V ±5%	10-00016-00					
17	*Capacitor (C14, C17) 1000 PFD 100V ±5%	10-00042-00					
18	*Capacitor (C15) .1 MFD 100V 20%	10-00030-00					
19	*Capacitor (C16) 100 MFD 25V	10-02781-00					
20	*Diode (D1) NSS 3514	11-10714-00					
21	*Screw, Phl Pan Hd No. 6-32 x 1/2	90-06024-01					
22	*Nut, Kep No. 6-32	90-08185-00					
23	*Diode (D2) D003	11-00100-00					
24	*Diode (D3) Zener IN4744 15V	11-05648-00					
25	*Diode (D4, D5, D13) D664	11-00114-00					
26	*Diode (D6) 20 AMP FAST REC.	11-10715-00					
27	*Screw, Phl Pan Hd No. 4-40 x 3/8	90-06011-01					
28	*Diode (D7) IN9708 24V	11-10856-00					
29	*Diode (D8, D11) IN5624	11-10420-00					
30	*Diode (D9) MCR 649 P-2	11-09465-00					
31	*Diode (D14) Zener 752A	11-02808-00					
32	*Integrated Circuit (E1) 723	19-10415-00					
33	*Clip, Fuse	90-07203-00					
34	*Fuse (F1) 10 Amp	90-08838-00					
35	*Lamp (I1) 28V 40 MA (See Note 1)	12-11239-00					
36	*Heat Sink, Bridge Rectifier	12-10907-00					
37	*Connector, (J1) Mate-N-Lok (8 pin)	12-09340-00					
38	*Pin, Socket Mate-N-Lok	12-09456-00					
39	*Eyelet, GS4-7	90-06732-00					
40	*Reactor (L1) 170 MH	16-10849-00					
41	*Transistor (Q1, Q3) 2N4920	15-09605-00					
42	*Transistor (Q4, Q14) MPS A05	15-10705-00					
43	*Transistor (Q5) DEC 3500	15-03209-00					
44	*Transipads	90-07200-00					
45	*Transistor (Q6, Q7, Q11, Q12, Q13) MPS A55	15-10706-00					
46	*Transistor (Q8) 2N6028	15-10877-00					
47	*Resistor (R1, R2) 3.9K Ohm 1W 10%	13-02927-00					
48	*Resistor (R3) 1.5K Ohm 5W 5%	13-01897-00					
49	*Resistor (R4) .04 Ohm 5W 3%	13-11362-00					
50	*Resistor (R5, R13, R14) 27 Ohm	13-01522-00					
51	*Resistor (R6, R19) 12K Ohm 1/4W 5%	13-00488-00					
52	*Resistor (R7, R40) 2K Ohm 1/4W 5%	13-02388-00					
53	*Resistor (R8) 1.8K Ohm 1/8W 1% (deleted)	13-00398-00					
	*Resistor (R8) 1.78K Ohm 1/8W 1% (added)	13-02612-00					
54	*Resistor (R10) 150 Ohm 1/4W 5%	13-00250-00	00005				
55	*Resistor (R11) 15K Ohm 1/4W 5%	13-00496-00					
56	*Resistor (R12) 88 Ohm 1/4W 5%	13-00219-00					
57	*Resistor (R15, R24, R25, R30, R35, R41) 100 Ohm 1/4W 5%	13-00229-00					

FIG & ITEM NO.	DESCRIPTION	DEC PART NO.	ECO CUT-IN H754 00004	USED ON CODE	VENDOR		REF FIG NO.
					CODE	PART NO.	
3-							
58	*Resistor (R16) 511 Ohm 1/8W 1% (deleted)	13-02411-00					
	*Resistor (R16) 278 Ohm 1/8W 1% (added)	13-05124-00	00005				
59	*Resistor (R17, R21) Potentiometer 200 Ohm ±20% (See Note 1)	13-10852-00 13-10852-00					
60	*Resistor (R18) 422 Ohm, 1/8W 1% (deleted)	13-03067-00					
	*Resistor (R18) 237 Ohm, 1/8W 1% (added)	13-04857-00	00005				
61	*Resistor (R20) 470 Ohm 1/4W ±5%	13-00316-00					
62	*Resistor (R22) 383 Ohm 1/8W ±1%	13-05125-00					
63	*Resistor (R23, R36) 5.1 Ohm 1/4W 5%	13-09422-00					
64	*Resistor (R26) 1.5K Ohm 1/4W	13-00391-00					
65	*Resistor (R27) 10K Ohm 1/4W 5% (deleted)	13-03044-00					
	*Resistor (R27) 10K Ohm 1/8W 1% (added)	13-03312-00	00005				
66	*Resistor (R28) 47 Ohm 1/4W 5%	13-00202-00					
67	*Resistor (R29) 18K Ohm 1/4W 5%	13-02465-00					
68	*Resistor (R31) .15 Ohm 2W 10%	13-10147-00					
69	*Resistor (R32) 3.9K Ohm 1/4W 5%	13-00444-00					
70	*Resistor (R33) 1.78K Ohm 1/8W ±1%	13-02612-00					
71	*Resistor (R34) .47 Ohm 2W 5%	13-05258-00					
72	*Bracket, Regulator	53-09756-04					
73	*Screw, Phl Flt Hd Self Tapping No. 4-40	90-09142-00					
74	*Bracket Capacitor	53-09758-00					
75	*Screw, Phl Flt Hd No. 6-32 x 5/16	90-06021-02					
76	*Cover	53-09760-00					
77	*Screw, Phl Flt Hd No. 4-40 x 1/4	90-06009-02					
78	*Terminal, Solderless	90-07930-00					
79	*Washer, Insulator	90-06721-00					
80	*Resistor (R37) .1 Ohm 10W 1%	13-09108-00					
81	*Resistor (R38) Thermistor 1K Ohm	13-10071-00					
82	*Resistor (R39) 220 Ohm 1/4W 5%	13-00271-00					
	NOTE 1: Lamp (Item 35) repositioned and Resistor-R21 (Item 59) relocated on retrofit boards per ECO-00006						

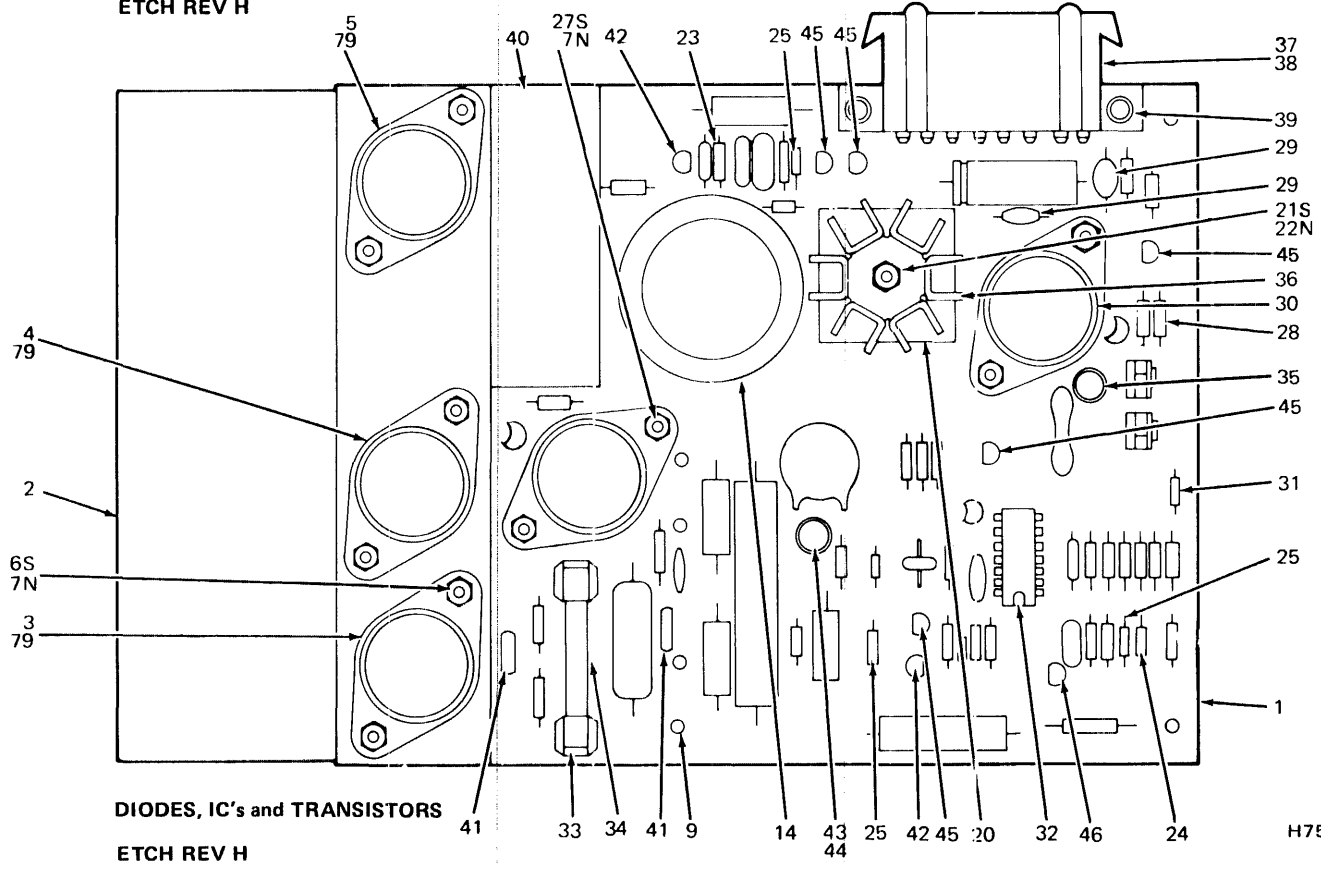


H754-01

Figure 4. H754 Regulator Assembly (Etch Rev. H) Sheet 1 of 2



ETCH REV H



H754-03

Figure 4. H754 Regulator Assembly (Etch Rev. H) Sheet 2 of 2

FIG & ITEM NO.	DESCRIPTION	DEC PART NO.	ECO CUT-IN H754 00006	USED ON CODE	VENDOR		REF FIG NO.
					CODE	PART NO.	
4--	H754 REGULATOR ASSEMBLY +20V (ETCH REV H)	H754-00					
1	*Board, Etched Circuit (Etch Rev H)	50-10531-00					
2	*Heat Sink, Regulator	12-10737-00					
3	*Transistor (Q2) 2N5308	15-10969-00					
4	*Transistor (Q9) MJ3000	15-11349-00					
5	*Transistor (Q10) MJ900	15-10712-00					
6	*Screw Phi Pan Hd No. 4-40 x 1/2	90-06013-01					
7	*Nut, Kep No. 4-40	90-06557-00					
8	*Capacitor (C1, C2) 5.8K MFD 50V	10-11363-00					
9	*Lug, Split	90-06735-00					
10	*Capacitor (C3, C12) .05 MFD	10-01774-00					
11	*Capacitor (C4, C7, C8, C10) .01 MFD 50V 20%	10-01610-00					
12	*Capacitor (C5) 56 PFD 100V 5%	10-00012-00					
13	*Capacitor (C6) 2700 PFD 100V 5%	10-01637-00					
14	*Capacitor (C9) 2.2K MFD 30V	10-10859-00					
15	*Capacitor (C11) 2.2 MFD 35V 5%	10-02431-00					
16	*Capacitor (C13) 100 PFD 100V ±5%	10-00016-00					
17	*Capacitor (C14, C17) 1000 PFD 100V ±5%	10-00042-00					
18	*Capacitor (C15) .1 MFD 100V 20%	10-00030-00					
19	*Capacitor (C16) 100 MFD 25V	10-02781-00					
20	*Diode (D1) NSS 3514	11-10714-00					
21	*Screw, Phi Pan Hd No. 6-32 x 1/2	90-06024-01					
22	*Nut, Kep No. 6-32	90-08185-00					
23	*Diode (D2) D003	11-00100-00					
24	*Diode (D3) Zener IN4744 15V	11-05648-00					
25	*Diode (D4, D5, D13) D664	11-00114-00					
26	*Diode (D6) 20 AMP FAST REC.	11-10715-00					
27	*Screw, Phi Pan Hd No. 4-40 x 3/8	90-06011-01					
28	*Diode (D7) IN9708 24V	11-10856-00					
29	*Diode (D8, D11) IN5624	11-10420-00					
30	*Diode (D9) MCR 649 P-2	11-09465-00					
31	*Diode (D14) Zener 752A	11-02808-00					
32	*Integrated Circuit (E1) 723	19-10415-00					
33	*Clip, Fuse	90-07203-00					
34	*Fuse (F1) 10 Amp	90-08838-00					
35	*Lamp (I1) 28V 40 MA	12-11239-00					
36	*Heat Sink, Bridge Rectifier	12-10907-00					
37	*Connector (J1) Mate-N-Lok (8 pin)	12-09340-00					
38	*Pin, Socket Mate-N-Lok	12-09456-00					
39	*Eyelet, GS 4-7	90-06732-00					
40	*Reactor (L1) 170 MH	16-10849-00					
41	*Transistor (Q1, Q3) 2N4920	15-09605-00					
42	*Transistor (Q4, Q14) MPS A05	15-10705-00					
43	*Transistor (Q5) DEC 3500	15-03209-00					
44	*Transipads	90-07200-00					
45	*Transistor (Q6, Q7, Q11, Q12, Q13) MPS A55	15-10706-00					
46	*Transistor (Q8) 2N6028	15-10877-00					
47	*Resistor (R1, R2) 3.9K Ohm 1W 10%	13-02927-00					
48	*Resistor (R3) 1.5K Ohm 5W 5%	13-01897-00					
49	*Resistor (R4) .04 Ohm 5W 3%	13-11362-00					
50	*Resistor (R5, R13, R14) 27 Ohm	13-01522-00					
51	*Resistor (R6, R19) 12K Ohm 1/4W 5%	13-00488-00					
52	*Resistor (R7, R40) 2K Ohm 1/4W 5%	13-02388-00					
53	*Resistor (R8) 1.78K Ohm 1/8W 1%	13-02612-00					
54	*Resistor (R10) 150 Ohm 1/4W 5%	13-00250-00					
55	*Resistor (R11) 15K Ohm 1/4W 5%	13-00496-00					
56	*Resistor (R12) 88 Ohm 1/4W 5%	13-00219-00					
57	*Resistor (R15, R24, R25, R30, R35, R41) 100 Ohm 1/4W 5%	13-00229-00					
58	*Resistor (R16) 278 Ohm 1/8W 1%	13-05124-00					

FIG & ITEM NO.	DESCRIPTION	DEC PART NO.	ECO CUT-IN H754 00006	USED ON CCDE	VENDOR		REF FIG NO.
					CODE	PART NO.	
4-							
59	*Resistor (R17,R21) Potentiometer 200 Ohm ±20%	13-10852-00					
60	*Resistor (R18) 237 Ohm 1/8W 1%	13-04857-00					
61	*Resistor (R20) 470 Ohm 1/4W ±5%	13-00316-00					
62	*Resistor (R22) 383 Ohm 1/8W ±1%	13-05125-00					
63	*Resistor (R23, R36) 5.1 Ohm 1/4W 5%	13-09422-00					
64	*Resistor (R26) 1.5K Ohm 1/4W	13-00391-00					
65	*Resistor (R27) 10K Ohm 1/8W 1%	13-03312-00					
66	*Resistor (R28) 47 Ohm 1/4 W 5%	13-00202-00					
67	*Resistor (R29) 18K Ohm 1/4W 5%	13-02465-00					
68	*Resistor (R31) .15 Ohm 2W 10%	13-10147-00					
69	*Resistor (R32) 3.9K Ohm 1/4W 5%	13-00444-00					
70	*Resistor (R33) 1.78K Ohm 1/8W ±1%	13-02612-00					
71	*Resistor (R34) .47 Ohm 2W 5%	13-05258-00					
72	*Bracket Regulator	53-09756-04					
73	*Screw, Phi Fit Hd Self Tapping No. 4-40	90-09142-00					
74	*Bracket Capacitor	53-09758-00					
75	*Screw, Phi Fit Hd No. 6-32 x 5/16	90-06021-02					
76	*Cover	53-09760-00					
77	*Screw, Phi Fit Hd No. 4-40 x 1/4	90-06009-02					
78	*Terminal, Solderless	90-07930-00					
79	*Washer, Insulator	90-06721-00					
80	*Resistor (R37) .1 Ohm 10W 1%	13-09108-00					
81	*Resistor (R38) Thermistor 1K Ohm	13-10071-00					
82	*Resistor (R39) 220 Ohm 1/4W 5%	13-00271-00					

ILLUSTRATED PARTS BREAKDOWN COMMENT SHEET

Any and all comments and suggestions for correcting errors and/or additional information to improve this manual will be reviewed and researched for possible use when this manual is revised and/or reprinted. Enter your comments and suggestions in the form provided below and return to Technical Documentation.

MODEL _____

PUBLICATION NO. _____

FIGURE NO. _____ ITEM NO. _____

FIGURE NO. _____ ITEM NO. _____

CHANGE FROM _____

CHANGE FROM _____

CHANGE TO _____

CHANGE TO _____

FIGURE NO. _____ ITEM NO. _____

FIGURE NO. _____ ITEM NO. _____

CHANGE FROM _____

CHANGE FROM _____

CHANGE TO _____

CHANGE TO _____

FIGURE NO. _____ ITEM NO. _____

FIGURE NO. _____ ITEM NO. _____

CHANGE FROM _____

CHANGE FROM _____

CHANGE TO _____

CHANGE TO _____

ADDITIONAL COMMENT(S)

Name _____

Cost Center _____

date: _____

Fold Here

Do Not Tear - Fold Here and Staple

FIRST CLASS
PERMIT NO. 33
MAYNARD, MASS.

BUSINESS REPLY MAIL
NO POSTAGE STAMP NECESSARY IF MAILED IN THE UNITED STATES

Postage will be paid by:

Digital Equipment Corporation
Technical Documentation Department
Digital Park, PK3-2
Maynard, Massachusetts 01754

