

This drawing and specifications, herein, are the property of Digital Equipment Corporation and shall not be reproduced or copied or used in whole or in part as the basis for the manufacture or sale of items without written permission.

## MASTER DRAWING LIST

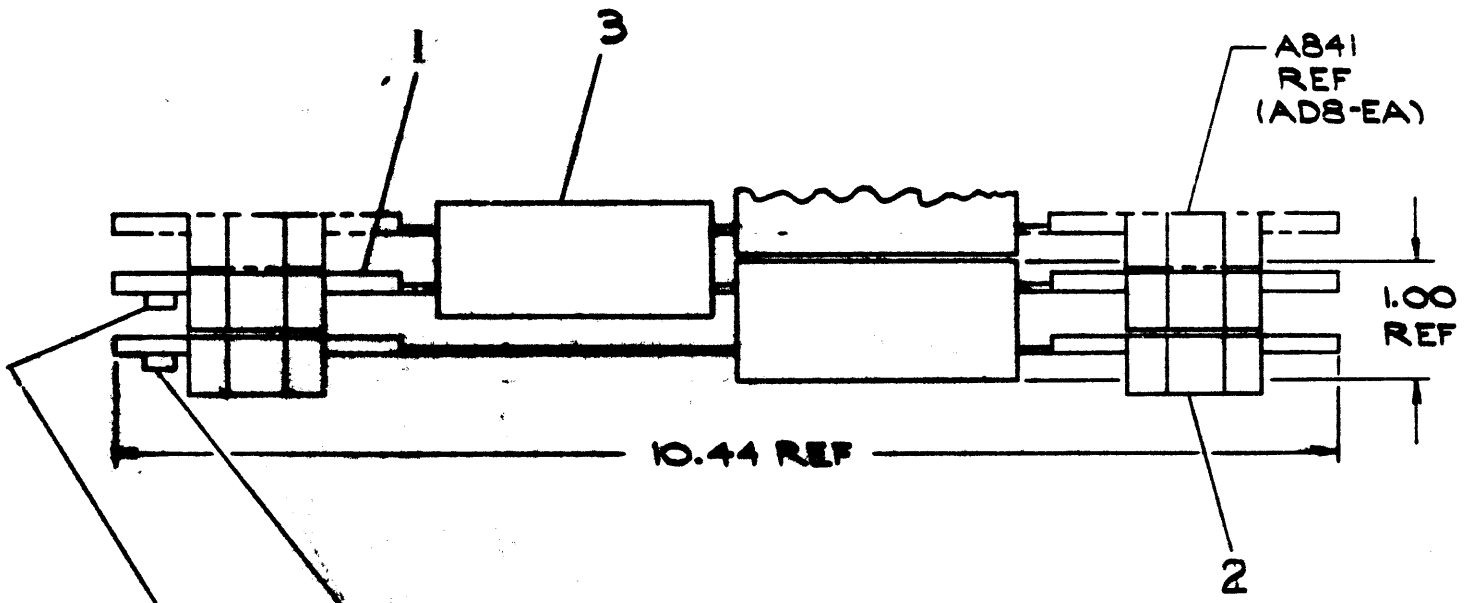
DWG. NO.	REV. LET.	NO. OF SHEETS	TITLE
C-UA-VC8-E-0	B	1	DISPLAY CONTROL VC8-E
A-PL-VC8-E-0	B	1	DISPLAY CONTROL VC8-E (PL)
E-CS-M869-0-1	#	2	VC8 PT PLOT DSPL CONT (CONT)
E-CS-M885-0-1	#	2	VC8 PT PLOT DSPL CONT (D/A)
A-SP-VC8-E-1	REF	17	ENGINEERING SPECIFICATIONS
A-SP-VC8-E-2	REF	8	ACCEPTANCE PROCEDURES
A-AL-VC8-E-3		2	ACCESSORY LIST (VC8-E)
D-UA-BC01K-0-0 *	REF	1	VR14 SCOPE CABLE
D-UA-BC01L-0-0	REF	1	602 SCOPE CABLE
D-IA-7008491-0-0	REF	1	RM503 SCOPE CABLE
D-IA-7008499-0-0 *	REF	1	USER SPECIFIED SCOPE CABLE
D-IA-7008977-0-0	REF	1	611 STORAGE SCOPE CABLE
			*INCLUDED IN A-ML-LAB8-E

REVISIONS				DRN.	DATE	digital EQUIPMENT CORPORATION MAYNARD MASSACHUSETTS			
REV.	DATE	CHG. NO.	APP'D.	CHK'D.	DATE				
A	11/71	00001	A.W.	<i>[Signature]</i>	4-1-72	TITLE DISPLAY CONTROL VC8-E			
B	1/72	LAB8E-13	G.B.	<i>[Signature]</i>	4-8-72				
C	8/72	VC8E-2	A.C.F.	<i>[Signature]</i>	4-1-72				
				PROD. ENG.	DATE				
				PROD.	DATE				
				FIRST USED ON		SIZE	CODE	NUMBER	REV.
				LAB8-E		A	ML	VC8-E	C
				SCALE					
				SHEET	1	OF	1	DIST.	

This drawing is a preliminary drawing and is for information only. It is not to be used for manufacturing or for purchase of parts without the approval of the manufacturer or each of those with whom production.

**NOTES:**

1. ITEM NO.1 AND ITEM NO.2 MUST ALWAYS BE FACING FRONT OF MACHINE AS SHOWN.
2. NO CONNECTION WHEN ADS-EA IS USED.
3. BCO1K - VR14 OR VR20 OPTION  
BCO1L - USED WITH TEKTRONIX 603 OR EQUIVALENT.  
7008499 - USERSPECIFIED SCOPE.  
7008491 - RM503 SCOPE.  
7008977-611 STORAGE SCOPE CABLE



REV.	DATE	BY	CHKD.
A	11-3-71	BUDIAWSKY	
B	8-25-72		
C	9-12-72		

CHANGE NO. 00001  
BLACK  
BUDIAWSKY

FIRST USED ON OPTION MODEL LAB8-E	QTY.	DESCRIPTION	PART NO.
UNLESS OTHERWISE SPECIFIED			
UNLESS OTHERWISE SPECIFIED DIMENSION IN INCHES			
TOLERANCES			
DECIMALS ± .005	FRACTIONS ± 1/64	ANGLES ± 0°30'	
FINAL SURFACE QUALITY REMOVE BURRS AND BREAK SHARP CORNERS			
MATERIAL			
FINISH			

DRN: J. Ferguson  
CHKD: J. Calkins  
DATE: 11-3-71  
DATE: 8-25-72  
DATE: 9-12-72  
DATE: 11-3-71  
DATE: 8-25-72  
DATE: 9-12-72

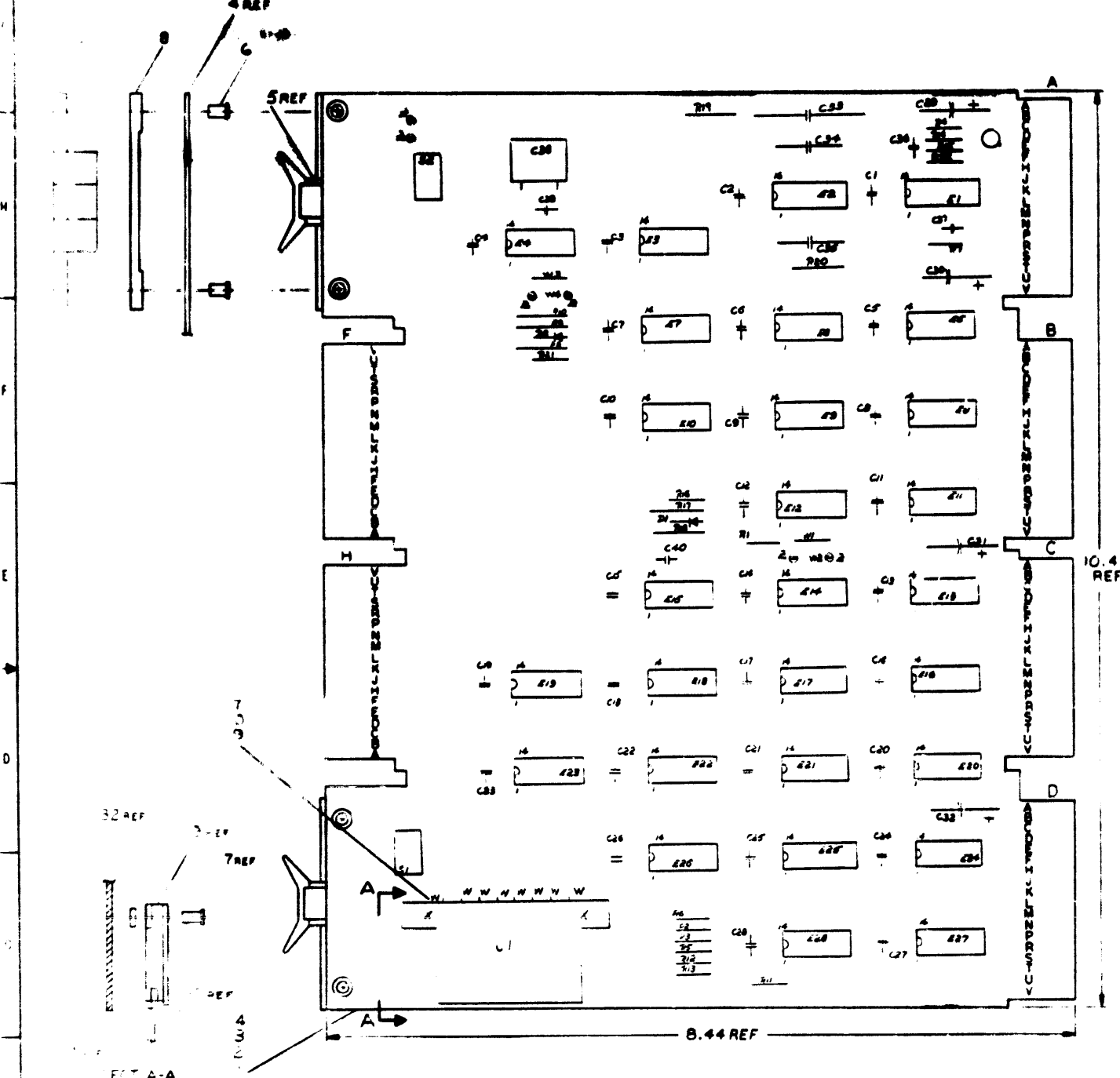
DISPLAY CONTROL  
V08-E

SCALE 1/1  
SHEET 1 OF 1

V08-E-0

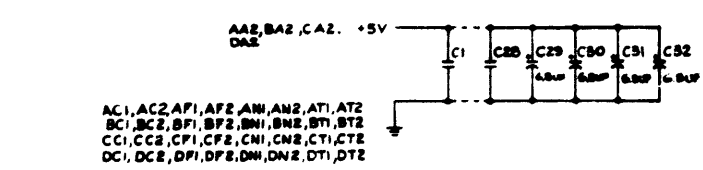


8



NOTES:  
 1. JUMPER W2 IS OPTIONAL AND USED ONLY WHEN W1 IS REMOVED.  
 2. UNLESS OTHERWISE NOTED: CAPACITORS ARE .01UF, 100V, 20%  
 3. W1 DECODES 20T OF, W2 DECODES 10T OF.

32 REF	3-20	7 REF
SECTION A-A		
8	7	6
8	7	6
8	7	6
8	7	6
8	7	6
8	7	6
8	7	6
8	7	6
8	7	6



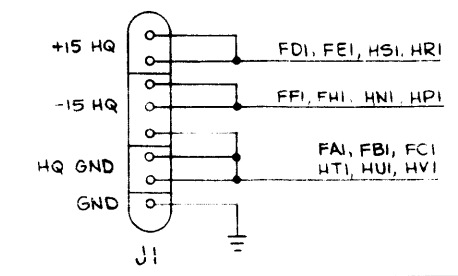
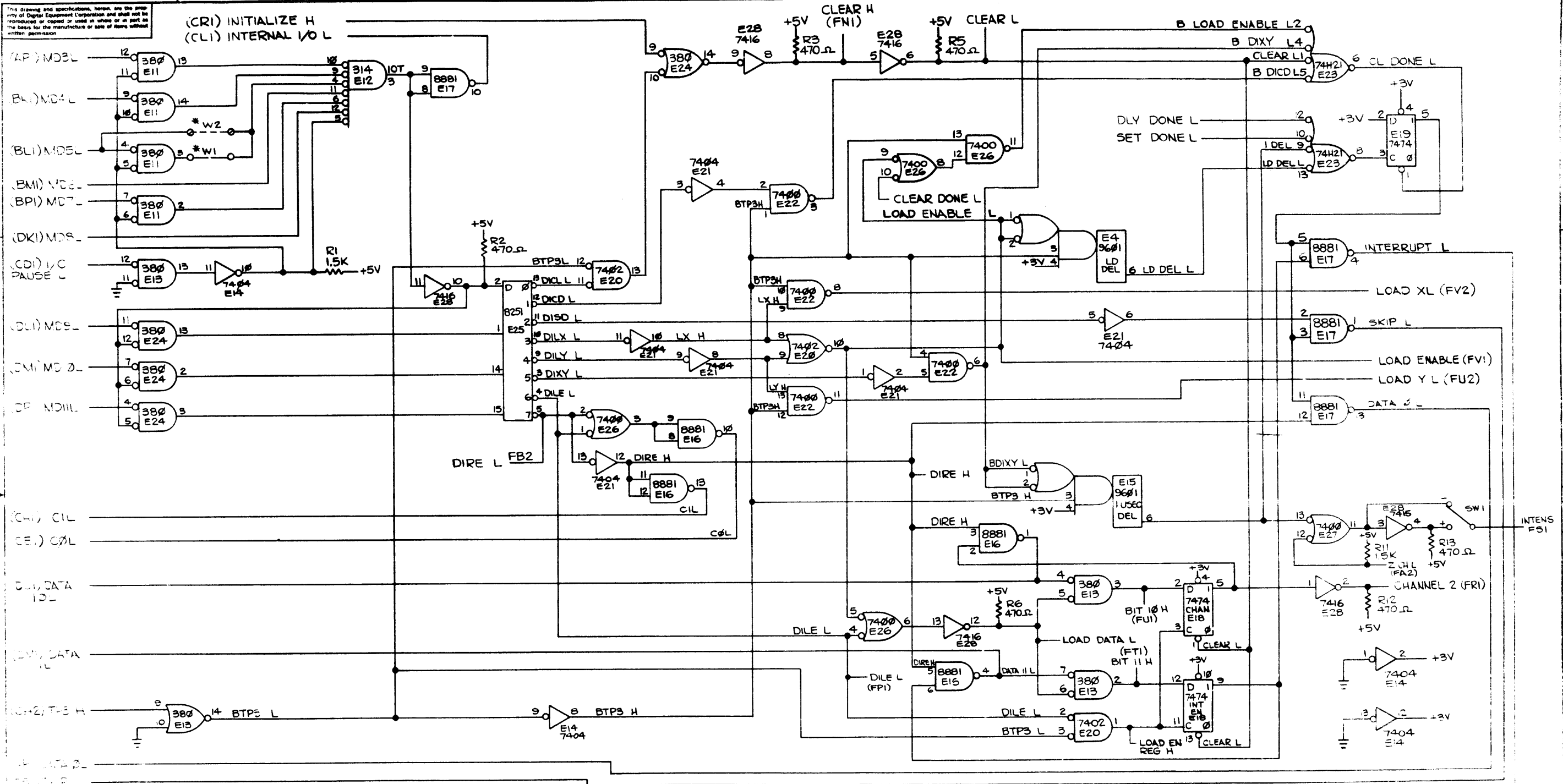
AC1, AC2, AF1, AF2, AN1, AN2, AT1, AT2  
 BC1, BC2, BF1, BF2, BN1, BN2, BT1, BT2  
 CC1, CC2, CF1, CF2, CN1, CN2, CT1, CT2  
 DC1, DC2, DF1, DF2, DN1, DN2, DT1, DT2

(SEE NOTE 1)

QTY	REF	DESCRIPTION	MANUFACTURER
1	C58	CAPACITOR .01UF 100V 20% 000074	...
2	C56, C97	CAPACITOR .01UF 100V 20% 000074	...
1	C55	CAPACITOR .01UF 100V 20% 000074	...
1	C54	CAPACITOR .01UF 100V 20% 000074	...
1	C53	CAPACITOR .01UF 100V 20% 000074	...
1	R18	RESISTOR 55.2K 1/4W 5% 505825	...
1	R20	RESISTOR 55.2K 1/4W 5% 505825	...
1	R19	RESISTOR 2.5K 1/4W 5% 505810	...
1	R26	RESISTOR 55.2K 1/4W 5% 505825	...
1	R27	RESISTOR 55.2K 1/4W 5% 505825	...
2	R4, R7	RESISTOR 10K 1/4W 5% 1500215	...
1	R9	RESISTOR 10K 1/4W 5% 1500215	...
4	R14, R15, R4, R22	RESISTOR 1K 1/4W 5% 1500562	...
1	R10	1% DEC 7406	...
2	R11, R12	1% DEC 7423	...
1	AR	WIRE BUSHING 1/4" DIA 1/4" L 2107140	...
2		WIRE BUSHING 1/4" DIA 1/4" L 2107140	...
6		SPRINGS 1/4" DIA 1/4" L 2107140	...
1	Q1, Q2	DIODE 1N4004	...
1	Q1	TRANSISTOR 2N3638	...
2	R1, R11	RESISTOR 55.2K 1/4W 5% 505825	...
7	R2, R3, R6, R8, R9, R10	RESISTOR 55.2K 1/4W 5% 505825	...
1	C28	CAPACITOR .01UF 100V 20% 000074	...
28	C1, C2, C3, C4, C5, C6, C7, C8, C9, C10, C11, C12, C13, C14, C15, C16, C17, C18, C19, C20, C21, C22, C23, C24, C25, C26, C27, C28, C29, C30, C31, C32	CAPACITOR .01UF 100V 20% 000074	...
1	E28	1% DEC 7406	...
4	E1, E4, E6, E7	1% DEC 7423	...
1	E7	1% DEC 7423	...
2	E14, E21	1% DEC 7406	...
1	E26	1% DEC 7423	...
4	E9, E11, E13, E22	1% DEC 7406	...
2	E4, E15	1% DEC 7423	...
1	E25	1% DEC 7406	...
1	E1, E20	1% DEC 7423	...
1	E22, E26, E27	1% DEC 7406	...
4	E5, E12, E16	1% DEC 7423	...
1	E2	1% DEC 7406	...
1	E3	1% DEC 7423	...
1	E4	1% DEC 7406	...
1	E5	1% DEC 7423	...
1	E6	1% DEC 7406	...
1	E7	1% DEC 7423	...
1	E8	1% DEC 7406	...
1	E9	1% DEC 7423	...
1	E10	1% DEC 7406	...
1	E11	1% DEC 7423	...
1	E12	1% DEC 7406	...
1	E13	1% DEC 7423	...
1	E14	1% DEC 7406	...
1	E15	1% DEC 7423	...
1	E16	1% DEC 7406	...
1	E17	1% DEC 7423	...
1	E18	1% DEC 7406	...
1	E19	1% DEC 7423	...
1	E20	1% DEC 7406	...
1	E21	1% DEC 7423	...
1	E22	1% DEC 7406	...
1	E23	1% DEC 7423	...
1	E24	1% DEC 7406	...
1	E25	1% DEC 7423	...
1	E26	1% DEC 7406	...
1	E27	1% DEC 7423	...
1	E28	1% DEC 7406	...
1	E29	1% DEC 7423	...
1	E30	1% DEC 7406	...
1	E31	1% DEC 7423	...
1	E32	1% DEC 7406	...
1	E33	1% DEC 7423	...
1	E34	1% DEC 7406	...
1	E35	1% DEC 7423	...
1	E36	1% DEC 7406	...
1	E37	1% DEC 7423	...
1	E38	1% DEC 7406	...
1	E39	1% DEC 7423	...
1	E40	1% DEC 7406	...
1	E41	1% DEC 7423	...
1	E42	1% DEC 7406	...
1	E43	1% DEC 7423	...
1	E44	1% DEC 7406	...
1	E45	1% DEC 7423	...
1	E46	1% DEC 7406	...
1	E47	1% DEC 7423	...
1	E48	1% DEC 7406	...
1	E49	1% DEC 7423	...
1	E50	1% DEC 7406	...
1	E51	1% DEC 7423	...
1	E52	1% DEC 7406	...
1	E53	1% DEC 7423	...
1	E54	1% DEC 7406	...
1	E55	1% DEC 7423	...
1	E56	1% DEC 7406	...
1	E57	1% DEC 7423	...
1	E58	1% DEC 7406	...
1	E59	1% DEC 7423	...
1	E60	1% DEC 7406	...
1	E61	1% DEC 7423	...
1	E62	1% DEC 7406	...
1	E63	1% DEC 7423	...
1	E64	1% DEC 7406	...
1	E65	1% DEC 7423	...
1	E66	1% DEC 7406	...
1	E67	1% DEC 7423	...
1	E68	1% DEC 7406	...
1	E69	1% DEC 7423	...
1	E70	1% DEC 7406	...
1	E71	1% DEC 7423	...
1	E72	1% DEC 7406	...
1	E73	1% DEC 7423	...
1	E74	1% DEC 7406	...
1	E75	1% DEC 7423	...
1	E76	1% DEC 7406	...
1	E77	1% DEC 7423	...
1	E78	1% DEC 7406	...
1	E79	1% DEC 7423	...
1	E80	1% DEC 7406	...
1	E81	1% DEC 7423	...
1	E82	1% DEC 7406	...
1	E83	1% DEC 7423	...
1	E84	1% DEC 7406	...
1	E85	1% DEC 7423	...
1	E86	1% DEC 7406	...
1	E87	1% DEC 7423	...
1	E88	1% DEC 7406	...
1	E89	1% DEC 7423	...
1	E90	1% DEC 7406	...
1	E91	1% DEC 7423	...
1	E92	1% DEC 7406	...
1	E93	1% DEC 7423	...
1	E94	1% DEC 7406	...
1	E95	1% DEC 7423	...
1	E96	1% DEC 7406	...
1	E97	1% DEC 7423	...
1	E98	1% DEC 7406	...
1	E99	1% DEC 7423	...
1	E100	1% DEC 7406	...

REV	DATE	BY	CHKD
1			
2			
3			
4			
5			
6			
7			
8			
9			
10			

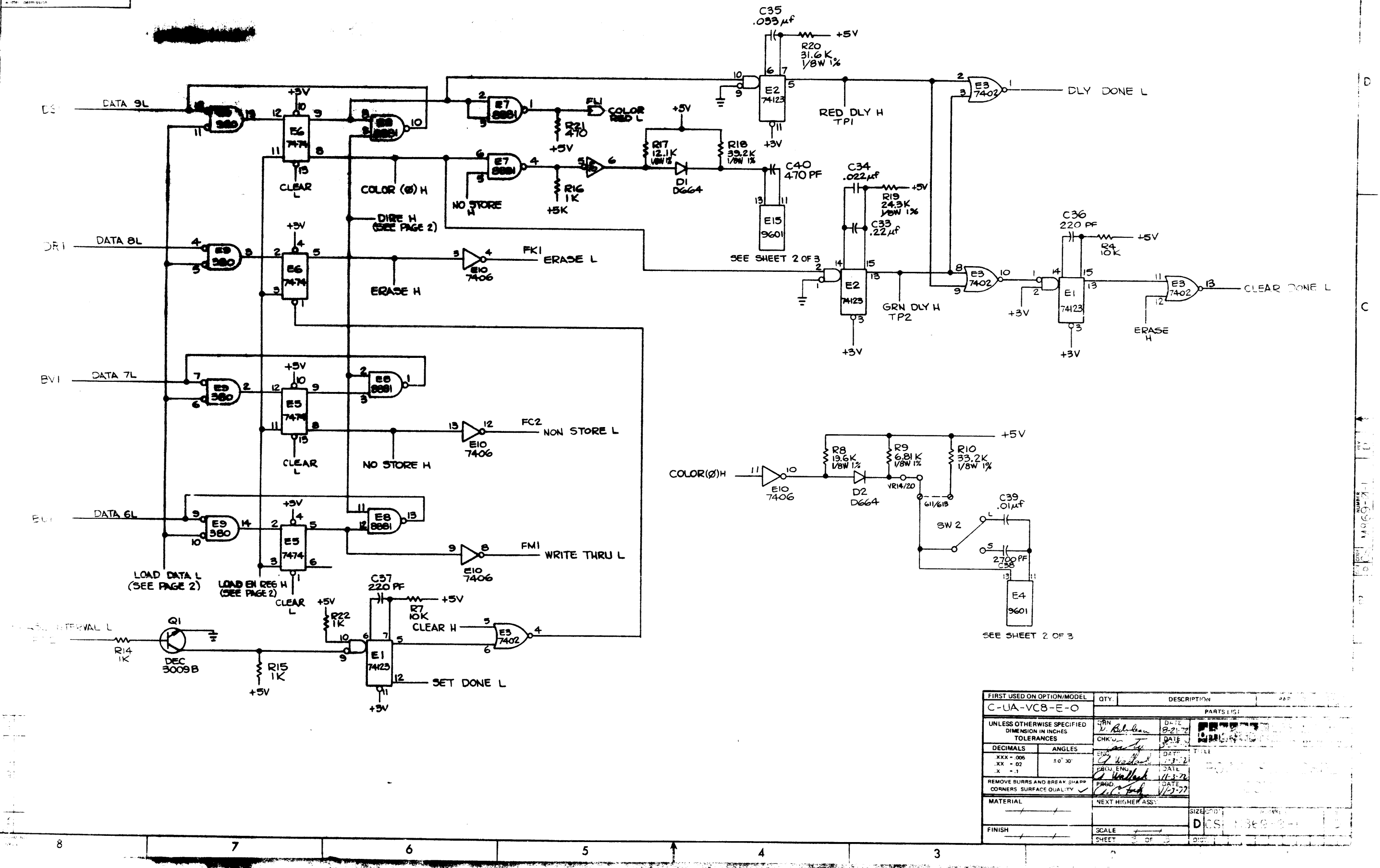
This drawing and specifications, herein, are the property of Digital Equipment Corporation and shall not be reproduced or copied in whole or in part without written permission.



FIRST USED ON OPTION/MODEL	QTY.	DESCRIPTION	PART NO.
C-UA-VC8-E-0			
UNLESS OTHERWISE SPECIFIED DIMENSION IN INCHES TOLERANCES			
DECIMALS	ANGLES	PARTS LIST	
XXX - 005	±0° 30'	digital EQUIPMENT CORPORATION	
XX - 02		TITLE	
X - 1		FRONT PANEL ASSY CONT. ACCT	
REMOVE BURRS AND BREAK SHARP CORNERS SURFACE QUALITY			
MATERIAL	NEXT HIGHER ASSY	SIZE/GRD	NUMB
FINISH	SCALE	DIGS	M869-0-1
	SHEET 2 OF 3	LIST	2

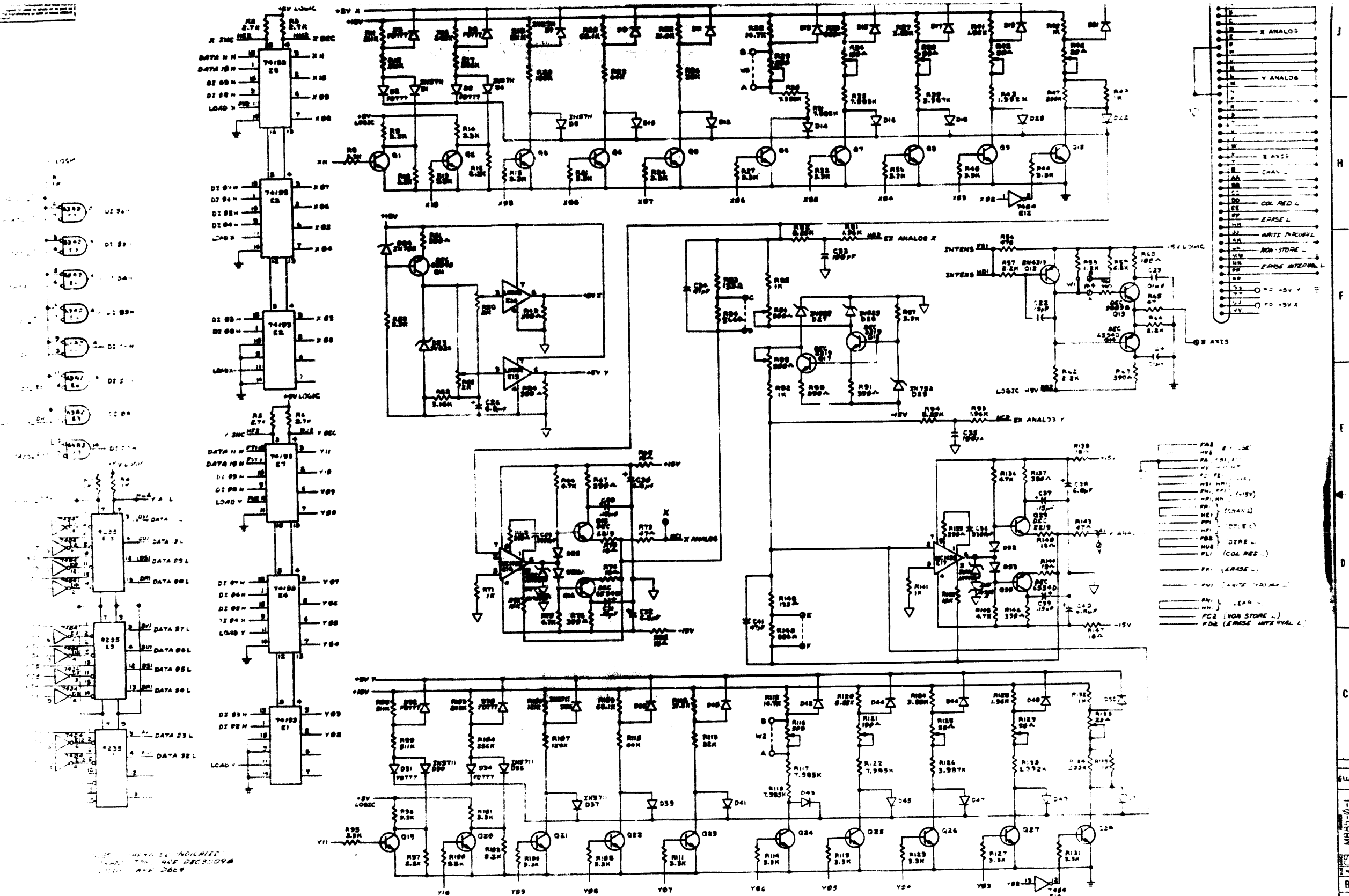
REV D  
M869-0-1  
D

This drawing and specifications, herein, are the property of Digital Equipment Corporation and shall not be reproduced, copied or used in whole or in part as the basis for the manufacture or sale of items without the permission.



FIRST USED ON OPTION/MODEL	QTY.	DESCRIPTION	PARTS LIST
C-UA-VC8-E-O			
UNLESS OTHERWISE SPECIFIED DIMENSION IN INCHES TOLERANCES			
DECIMALS	ANGLES	DATE	TITLE
.xxx = .006	±0° 30'	8-21-77	
.xx = .02			
.x = .1			
REMOVE BURRS AND BREAK SHARP CORNERS SURFACE QUALITY			
MATERIAL NEXT HIGHER ASSY			
FINISH			
SCALE			
SHEET 3 OF 3			





RESISTOR VALUES INDICATED  
UNLESS OTHERWISE SPECIFIED  
RESISTOR VALUES ARE IN OHMS

REV	DESCRIPTION	DATE	BY
1	LAB B/E		
2			
3			
4			
5			
6			
7			
8			
9			
10			

REV	DESCRIPTION	DATE	BY
1	LAB B/E		
2			
3			
4			
5			
6			
7			
8			
9			
10			

REV	DESCRIPTION	DATE	BY
1	LAB B/E		
2			
3			
4			
5			
6			
7			
8			
9			
10			

ECS M885-0-1



DIGITAL EQUIPMENT CORPORATION  
MAYNARD, MASSACHUSETTS

ACCESSORY LIST

MADE BY K.Symes  
DATE 12-17-71  
ENG *W. J. Symes*  
DATE 12-17-71

CHECKED *W. J. Symes*  
DATE 12/21/71  
PROD. *W. J. Symes*  
DATE 12/17/71

ITEM NO.	DWG NO. / PART NO.	DESCRIPTION	LEGEND				QUANTITY / VARIATION							
			D	DN	PA	PB	PM	VC8-E Alone	VC8-E and VR14	VC8-E and VM03	KIT CHECK	INSTALLATION CHECK		
1	M869	VC8-E Point Plot Display Control Module						1	1	1				
2	M885	D-A Point Plot Control Module						1	1	1				
3	H851	Edge Connector						2	2	2				
4	7008499	User Display Cable						1	-	-				
5	BC01K	VR14 Display Cable						-	1	-				
6	BC01L	602 Display Cable (part of VM03)						-	-	1				
7	--	Analog High Quality Power Assembly						*	*	*				
	7008370-1	115V Table-top Mounting or												
	7008370-2	230V Table-top Mounting or												
	7008477-1	115V Rack Mounting or												
	7008477-2	230V Rack Mounting												
	7008375	Analog Power Cable												
8	VC8-E	* Item 7 is not to be supplied to systems in field with an AD8-EA already installed. HQ power supply type # is tailored to specific system in Systems Production.												
9	IAB8-E	VC8-E Display Control Print Set						1	1	1				
		IAB8-E Print Set						1	1	1				
TITLE VC8-E Accessory List			SIZE CODE AAL		ASSY. NO.		NUMBER		REV. ECO NO					
			DIST.		SHEET 1 OF 2		VC8-E -3							

DEC FORM NO. DRA 121

DIGITAL EQUIPMENT CORPORATION  
MAYNARD, MASSACHUSETTS

ACCESSORY LIST

MADE BY K.Symes  
DATE 12-17-71  
ENG *W. J. Symes*  
DATE 12-17-71

CHECKED *W. J. Symes*  
DATE 12/21/71  
PROD. *W. J. Symes*  
DATE 12/17/71

ITEM NO.	DWG NO. / PART NO.	DESCRIPTION	LEGEND				QUANTITY / VARIATION							
			D	DN	PA	PB	PM	VC8-E Alone	VC8-E and VR14	VC8-E and VM03	KIT CHECK	INSTALLATION CHECK		
10	MAINDEC 8E-D6CA-AB	VC8E Diagnostic - Punched Binary Tape						1	1	1				
11	MAINDEC 8E-D6CA-DL-(D)	VC8E Diagnostic - Document Listing						1	1	1				
12	DEC-LB-HRZA-D	IAB8-E User's Handbook						1	1	1				
13	DEC-LB-HXZA-D	IAB8-E Maintenance Manual						1	1	1				
14		IAB8-E Programming Card						1	1	1				
NOTE: When item 12 or 13 is temporarily waived, ship the following:														
	A-SP-VC8E-1	VC8E Engineering Specification						1	1	1				
	A-SP-VC8E-2	VC8E Acceptance Procedure						1	1	1				
TITLE VC8-E Accessory List			SIZE CODE AAL		ASSY. NO.		NUMBER		REV. ECO NO					
			DIST.		SHEET 2 OF 2		VC8-E -3							

DEC FORM NO. DRA 121