

FOCAL

**HOW TO WRITE NEW SUBROUTINES
AND USE INTERNAL ROUTINES**

**DOUG WREGE
Engineering Experiment Station
Georgia Institute of Technology
Atlanta, Georgia**

SUPPORTED IN PART BY THE U.S. ATOMIC ENERGY COMMISSION

TABLE OF CONTENTS

FOCAL: HOW TO WRITE NEW SUBROUTINES AND USE INTERNAL ROUTINES

ABSTRACT

I. INTRODUCTION

II. ASSEMBLERS, COMPILERS, AND INTERPRETERS

III. THE PHILOSOPHY OF FOCAL

- A. Text Editing
- B. The Multiple Branch Routine
- C. Recursion
- D. Conclusion

IV. TECHNICAL DETAILS; GENERAL

- A. Arithmetic Manipulation
- B. Storage - (Core Layout)
- C. Holes
- D. Moving Bottom

V. TECHNICAL DATA - FOCAL SUBROUTINES

- A. Page Zero Reference Locations
- B. Text Handling Routines
- C. Utility
- D. Pushdown List Controllers
- E. Other Subroutines

VI. LINKS TO FOCAL

- A. Functions
- B. Links to FOCAL - The LIBRARY Command
- C. Debugging

VII. ACKNOWLEDGMENTS

VIII. APPENDIX A

- A. A Prescription

IX. APPENDIX B

- A. A Few Useful Routines
 - 1. Argument Evaluator
 - 2. LIBRARY Expansion
 - 3. Function-command Extention

X. APPENDIX C

- A. Example of a Recursive Subroutine - EVAL
- B. Simplified Flowchart of Subroutine EVAL

XI. APPENDIX D

- A. Field One Variable Array
 - 1. Abstract
 - 2. Requirements
 - 3. Usage
 - a. Loading
 - b. Calling sequence
 - 4. Discription

XII. APPENDIX E

- A. Disk Variable Storage
 - 1. Abstract
 - 2. Comments

XIII. APPENDIX F

- A. Hints and Kinks Department

FOCAL: HOW TO WRITE NEW SUBROUTINES AND USE INTERNAL ROUTINES*

DECUS Program Library Write-up

FOCAL-17

ABSTRACT

It is the aim of this paper to help the user to code specific routines in FOCAL so that his dialect of FOCAL can be applied to his application (without being forced to understand in detail all the workings of FOCAL). In this way, perhaps, each and every user can make his particular dialect of FOCAL 'perfect'.

I. INTRODUCTION

Many users have found FOCAL ** to be the answer to their real-time and computational problems. The language is extremely powerful and flexible with unique text editing and debugging features. Although FOCAL is slow in execution compared to machine language coding, for most real-time problems or one-time calculations, lack of speed is not a serious handicap. Most users will agree that a program can be written, debugged, and executed in "FOCAL" before the equivalent could even be coded (and/or punched) in any other language. Additions or changes are easily made.

It will be assumed that the reader has a basic knowledge of PDP-8 processor instructions, PAL mnemonics (see Digital's Small Computer Handbook or Introduction to Programming), as well as a familiarity with the Floating Point Package (DEC-08-YQYA-D). In addition, he should be familiar with the "FOCAL" language.

As many users have discovered, the internal workings of FOCAL are an incredibly complex piece of programming. With the need to interface the computer to specialized equipment for individual applications, there is the corresponding need for appropriate software. If FOCAL could communicate with this equipment, one would have an extremely powerful and flexible computation and control package. This paper is an attempt to explain how user developed software can be interfaced to the basic FOCAL package, without requiring the user to spend valuable time trying to understand all of its detailed workings.

Section II will deal with a general discussion of how FOCAL works, in a descriptive fashion. Section III will be concerned with the philosophy of the language. The last few sections will be more technically oriented toward helping the user actually code his additions. Finally, several examples and ready coded routines, which may be used to simplify the user's problems, are included.

*Supported in part by the U. S. Atomic Energy Commission.

**Throughout this paper a "FOCAL" program written in the "FOCAL" language will be enclosed in quotes. The machine language coding of the FOCAL interpreter will be referenced by the word FOCAL without quotes.

II. ASSEMBLERS, COMPILERS, AND INTERPRETERS

In general, there are three routes that the programmer can follow for machine execution. Programs that perform translations are assemblers, compilers, or interpreters; each operate from conceptually different vantage points.

In a compiler level language, such as FORTRAN, ALGOL, and BASIC, coding is written in a syntax close to the way a human thinks. A compiler interprets this and generates an object code which is close to machine language. This, in turn, is translated into actual machine language instructions. Finally these machine language instructions must be read into core before execution. If any corrections are to be made to the program (debugging, additions, or corrections), one must recompile the source coding, read the new object coding in, and finally execute it.

An assembly level language is inherently closer to machine language than a compiler level language. The user's coding is indeed remote from the way he thinks about formulating a problem (he is even forced to think in binary or octal, the machine's way of formulating problems). About all an assembler lets the programmer do is use mnemonics (words) and symbols instead of binary numbers. For example, in the PAL language, the instruction TAD I TEMP is assembled as follows from the definitions:

TAD = 1000 ₈	/in the assembler's internal symbol table
I = 0400 ₈	/internal symbol table
TEMP = 0100 ₈	/user defined in coding

The assembler masks out the first 5 bits from the last mnemonic if there are more than one (in this case TEMP); it then ORS the result with the other mnemonics:

1000	
& 0400	
& 0100	
<hr/>	
1500	This is the machine equivalent.

The PAL assembler is a little more sophisticated than this, of course, and performs functions a little more complicated, but generally an assembler is incredibly stupid for what it can do. Note the similarity between PAL mnemonics and machine language. Throughout the following sections various mnemonics will be defined so that the PAL assembler can generate instructions compatible with FOCAL (e.g. GETC = 4506 causes the assembler to add this to its symbol table).

In an interpretive level language, no machine language coding is generated for execution. An interpreter is essentially a subroutine caller. It contains a subroutine for every conceivable operation it thinks the user wishes to perform. If it cannot understand what the user wants, it prints an error message and waits for the user to make himself clear. Every character that the user inputs is stored in core. Upon execution the interpreter "interprets" the program character by character and calls the subroutine indicated.

FOCAL is an interpretive level language. In particular, it is a recursive interpreter (see Section III). That is, unlike FORTRAN, one may call a function from within itself. Nevertheless, it is basically a subroutine caller, even though these subroutines may be incredibly interlocked. It has a subroutine to evaluate arithmetic expressions (EVAL), subroutines to make it recursive (PUSHJ, PUSHA, etc.), branching routines (SORTJ), a subroutine to find a certain line (GETLN), one to get a character (GETC), etc. Once the user understands what all these routines do, he can add his own coding in a highly efficient and powerful manner. Descriptions of these subroutines will be given in later sections.

III. THE PHILISOPHY OF FOCAL

A. Text Editing

Since FOCAL is an interpretive language, it must have facilities for manipulation of user written text. In order to facilitate these manipulations, there are a number of text formatting and editing features, such as WRITE, MODIFY, TYPE, and the "trace" (" ?") function. One of the main features of the FOCAL interpreter is the simplicity of concept and power of operation of the format controlling statements. The user finds a convenient, easily understood way of controlling the format of his output, regardless of his level of programming experience and sphistication.

Since much of FOCAL execution is involved in various text decoding routines, FOCAL is slow in execution of programs (compared to assembly or compiler language coding). The text handling routines may be called from the user written assembly language subroutines, and thus are listed with a short description of their function, in Table 1.

FOCAL is concerned with interpreting what the user's text means by specific combinations of characters, so it must have a flexible means of decoding these characters according to type. The most efficient way this can be done is to use a subroutine (SORTC) that compares the present character with a list. It is necessary to have the address of the list as an argument for this subroutine. For example, suppose that it is desired to find a text terminator. To do this, a list is made of all legal terminators (;, carriage return, space comma, etc.), and the value of the present character (stored in location CHAR) is compared to the list: if a match is found, an index is set to the list element number, and a normal return is taken. If a match is not found, then another return is taken.

B. The Multiple Branch Routine

FOCAL is in many ways similar to JOSS². All of the JOSS-like languages incorporate a "command" in addition to the arithmetic statements available in other languages (ALGOL, FORTRAN). One of the advantages of the command is that, using only the first symbol of a new statement, the interpreter (or compiler, in the case of BASIC) can decode the action required, and thus need not "understand" the whole line before proceeding. This is an advantage in a small machine such as the PDP-8, where the paucity of core demands highly efficient coding.

²Joss - An Introduction to a Helpful Assistant, Rand Memos 5058-PR July 1966.

A Unique feature of FOCAL is the ability to operate with single-letter abbreviations of the command. As an example, consider the subroutine that actually selects the command branches (and is used for other operations within FOCAL, as well). This routine (SORTJ) is called with an argument pointing to the list of characters to be compared and another argument containing a pointer to a list of associated addresses. FORTRAN programmers might recognize the result as a sort of character-driven computed GOTO. The calling sequence is:

SORTJ	/Sort and Branch Routine
TABLE1-1	/pointer to character list
TABLE2-TABLE	/difference in addresses of the tables
XXX	/return if not in table

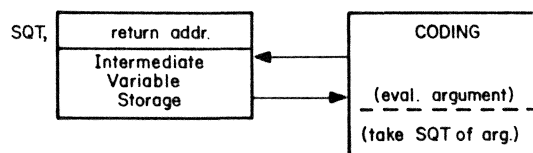
Absolute addresses are specified in the arguments; hence, tables may be stored between pages.

Since FOCAL refers to lists for its decoding operations, it is often referred to as a table driven interpreter. A table driven interpreter is especially suited to addition of new coding, since only one or two addresses need to be added to a table (list) for a new branch.

C. Recursion

One of the features of FOCAL which makes it so powerful is that of recursion. Recursion is the ability of a subroutine to call itself, e.g. FSQT (1 - FSQT(X)). In most compiler level languages this operation is carried out by repeating the machine language (FSQT) coding so that one version of the subroutine can call the other. In these cases the subroutine never really calls itself, rather it calls a separate identical piece of coding. An interpretive level language cannot afford multiple identical subroutines for every possibility, since it would take too much core.

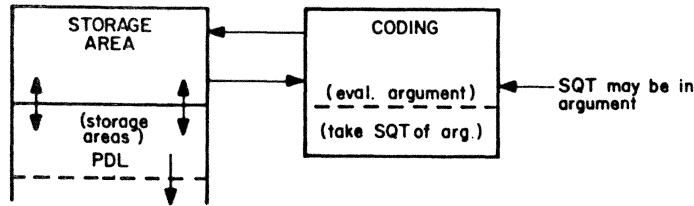
Consider how a 'normal', nonrecursive subroutine works. Schematically we may divide the subroutine into a segment in which the logical operations are coded and a segment where temporary values in the calculation are stored. We can consider the subroutine return to be stored in this temporary storage area also. VIZ,



If this hypothetical subroutine were to call another subroutine (as is normally done in assembly language), there would be no difficulties provided that the intermediate storage of the two subroutines are separate.

If the subroutine was to call itself from within its own coding, the original intermediate values of the variables and the return pointer would be overwritten (as the program executes the coding the second time). If there was a way to use a different intermediate storage area, the original values would not be lost.

The Push-Down List (PDL) concept involves an intermediate storage area which is "pushed-down" (making a new intermediate storage area available) whenever a subroutine is called and "popped-up" whenever a return occurs. VIZ,



To continue the example, the steps in the evaluation of $FSQT\ 1-FGST(X)$ would proceed as follows:

1. The main program calls the $FSQT$ subroutine. Storage area 1 is now pushed-down into the push-down list making area 2 available.
2. The argument "1-" is evaluated up to the next $FSQT(X)$.
In order to evaluate this, the $FSQT$ subroutine is called again !
3. On second entry to the subroutine, storage area 2 (containing the main program return and the intermediate value of the argument) is pushed-down.
4. X is evaluated and then the square root is taken.
5. The subroutine returns (to the middle of itself) with the answer $FSQT(X)$.
When this return is effected, storage area 2 is popped-back-up (with the old intermediate values).
6. The answer $FSQT(X)$ is subtracted from 1 to form the argument $1-FSQT(X)$.
The square root of this is taken and the function returns to the main program.

Obviously, by using the PDL concept, subroutines may call themselves to any level (as long as there is PDL space available).

For most efficient core utilization, FOCAL uses the same PDL intermediate storage for all subroutines. To do this, one value (PDP-8 word) is pushed-down at a time. Values are 'popped' in the reverse order that they are 'pushed'.

An additional feature of a PDL is that it can be used for temporary storage of variables in non-recursive routines. One may consider the PDL as an extension of page zero since it can be accessed from any page. Section V will describe PDL handlers available in FOCAL.

D. Conclusion

The concepts outlined above will introduce the experienced programmer to the internal working of FOCAL. In the sections that follow, a more technical exposition of these routines will be given.

TABLE I

FOCAL TEXT HANDLERS

<u>MNEMONIC</u>	<u>DESCRIPTION</u>
GETC	Get the next character from the text
SORTC	Sort the present character against the table
TESTN	Sort the present character into one of three types
TESTC	Sort the present character into one of four other types
TESTLPR	Test CHAR from left parenthesis
READC	Read a character from the Teletype
PRINTC	Print CHAR on Teletype
PACKC	Pack a character into buffer (store it)
PRINTLN	Print the current line number
FINDLN	Find a given line
SPNOR	Ignore spaces

The Appendices contain examples elucidating the principles outlined in this report.

IV. TECHNICAL DETAILS - GENERAL

A. Arithmetic Manipulations

Arithmetic is done using the three word floating point format. Input and output of numbers are handled via the Floating Point Package (FPP) I/O controller (with modifications to run with the interrupt enabled). For details, see FPP documentation (DEC-08-YQYA-D).

B. Storage :- (Core Layout)

The FOCAL interpreter occupies locations 1 - 3220 (see Figure 1). The FPP occupies approximately 4600 - 7577, depending on how many functions are kept. The initial dialogue sets BOTTOM, the end of storage space, depending on the number of functions kept. The remaining storage is used for text, variable storage, and push-down lists.

3220 - 4577	with all functions
3220 - 5177	FEXP, FLOG, FATN deleted
3220 - 5232	FSIN, FCOS and above deleted

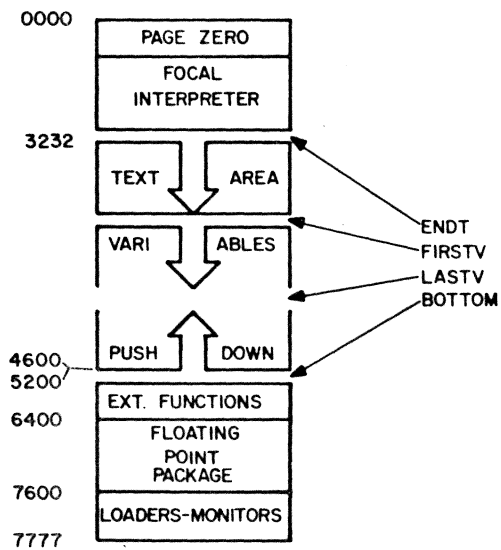
The text is built up from location 3220 occupying approximately two characters per location. Variables are built upward from the top of the text. They occupy 5 locations per variable and are created as they are found in execution. Whenever the indirect program is changed, (modified, appended, or collapsed), a new starting point for variables is indicated; hence, old variables are erased. The push-down list (explained more fully later) is built from the FPP down toward the variable storage area. Error messages occur with termination of the program whenever these lists overlap.

Instructions are stored in the command/input buffer when in the command mode; the buffer has sufficient locations for one line of characters.

C. Holes

The following locations are free for the user:

PAGE ZERO	16	(Auto Index Register)
	162 - 175	(Free in 4K FOCAL)
	171 - 175	(Free in 8K FOCAL)
FPP	5571 - 5577	
	5754 - 5777	
	6171 - 6177	
	7154 - 7177	
	7346 - 7377	
	7554 - 7577	
	6317 - 6377	is used by the high-speed reader control -- if you do not have one, this is available



TEXT STORAGE FORMAT

LINE	
A	B
C	D
ASCII CHAR	
77	15
↑ C.R.	

VARIABLES FORMAT

NA	ME
SUBSCRIPT	
+	EXP
-	MAN-
TISSA	
etc.	

Figure 1

D. Moving Bottom

For additional user coding room, BOTTOM may be changed at the sacrifice of text storage. To move BOTTOM, set the contents of location 27 (C(27)) to the last location available for text (PDL) storage; e.g. in order to free locations 4420-4577 for user additions to the interpreter, change C(27) to 4417.

V. TECHNICAL DATA - FOCAL SUBROUTINES

With the use of subroutines available in the FOCAL interpreter and a listing, a must, it is relatively simple to write powerful user coded additions.

Unless otherwise stated, these subroutines must be entered with the AC = \emptyset ; they return with the AC = \emptyset .

A. Page Zero Reference Locations

CHAR - The contents of this location (142) contains the current character (in ASCII code) from the text buffer.

SORTCN - This register contains references used by sorting routines (see below).

FLAC - This is the first word of the floating accumulator (contains the exponent). The floating accumulator occupies locations 44 - 46.
FLAC is defined as 44.

B. Text Handling Routines

GETC = 4506

Gets next character from the text; exits with next character in CHAR.

SORTC = 4511

Calling sequence:	SORTC	/call
	LIST-1	/address of LIST-1
	XXX	/return if in LIST
	XXX	/return if not in LIST

Description: If the accumulator is nonzero, its contents are used; otherwise the contents of CHAR are used to sort against the LIST. If it is in the LIST, return to call + 2; if not, return to call + 3. SORTCN is set to how far down in the list the match occurred.

Example: If we are testing for one of the following:

LIST	= .
254	/,
273	/;
215	/carriage return
7777	/list is terminated by a negative
9	number

Assuming it is an error for CHAR not to be in the list, the following coding applies:

SORTC	/sort against LIST
LIST-1	/address of LIST
SKP	
ERROR	/do an error exit as not in LIST

If a match were found, SORTCN would have the values:

<u>Contents of CHAR</u>	<u>SORTCN Value</u>
,	0
;	1
carriage return	2

NOTE: Lists are terminated by negative numbers.

PRINTC = 4512

Print the accumulator; if the AC = \emptyset , print the contents of CHAR.

READC = 4513

Read and echo a character from the keyboard. Put it into CHAR.

SPNOR = 4521

Ignore spaces in text; exit with the first character that is not a space in CHAR.

ERROR = 4526

Used to exit upon error detection; transfers control to the command mode and terminates execution; prints error message. (In the FOCAL listing there are ERROR2, ERROR3, and ERROR4. All of these are identical.)

TESTN

This subroutine is actually a series of SORTC's with various returns:

CALL:	TESTN	/call
	return1	/return if a period
	return2	/return if not a period or a number
	return3	/return if a number; SORTCN is set to the binary equivalent.

This routine tests only CHAR. AC must be \emptyset .

TESTC (4525)

This subroutine is actually a series of SORTC's with various returns:

CALL:	TESTC	/call
	return1	/terminator; SORTCN set according to TERMS
	return2	/number; SORTCN set as in TESTN
	return3	/function; (CHAR=F)
	return4	/alphabetic character

SORTJ (4510)

This subroutine is used as a multiple sort and branch routine. CHAR (or the AC if nonzero) is compared to a list. If it is in the list, an address is looked up and an effective JMP ADDRESS is executed. If a match is not in the list, then return is to call+3.

CALL:	SORTJ	
	LIST1-1	/ADDRESS of character list
	LIST2-LIST1	/difference in the addresses of lists
	RETURN	/return here if not in LIST1

An example of this is the FOCAL branch to a library command:

POPA	/get command CHAR
SORTJ	/branch
COMLIST-1	
COMGO-COMLIST	
ERROR2	/invalid command

where

COMLIST = .	COMGO = .
323 /S (ASCII)	SET /ADDRESS OF SET CODING
306 /F	FOR /ADDRESS OF FOR
311 /I	IF
304 /D	DO
307 /G	GO
303 /C	COMMENTS
301 /A	ASK
324 /T	TYPE
314 /L	LIBRARY
-	-
-	-
-	-
7777	/list is terminated by a negative number

NOTE: Lists are terminated by a negative number.

C. Utility

RTL6 = 4520

Rotate the AC six places to the left.

D. Pushdown List Controllers

For those unfamiliar with more powerful processors than the PDP-8, the ideas of recursion and pushdown lists are explained in Section II. These subroutines appear to simulate hardware commands on more sophisticated machines like the PDP-10 and even use the same mnemonics !

PUSHA = 4503

Puts the contents of the AC on the PDL; clears the accumulator.

POPA = 1413

Get the top entry on the PDL and put it in the AC. (Note: auto-index register 13 is the pointer to the pushdown list; thus 'POPA' is actually TAD I 13.)

PUSHF = 4504

This is essentially three PUSHA's and is used for storage of floating point data.

Call: PUSHF
 ADDRESS /address of first location of three word floating point number.

POPF = 4505

The inverse of the PUSHF routine.

Call: POPF
 ADDRESS /address of where to put data.

PUSHJ = 4501

This is the recursive subroutine call. The subroutine return is put on the PDL and a JMP to the subroutine address is executed.

Call: PUSHJ
 SUBROUTINE /address of SUBROUTINE
 XXX /address of this location is
 /stored on the PDL

POPJ = 5502

Recursive subroutine return; the top element of the PDL is used as the effective address of the return.

E. Other Subroutines

INTEGER

Enter via a JMS I INTEGER. This routine makes an integer out of the FLAC. The low order part is in FLAC + 2, the high order part is in FLAC + 1. Also, returns with the low order part in the accumulator.

EFUN3I

This routine is the return from a function routine. It checks for a right bracket in CHAR ('') and normalizes the floating accumulator. Enter via a JMP I EFUN3I.

EVAL

This subroutine evaluates arithmetic expressions; because it is recursive, it must be called via:

```
PUSHJ
EVAL
XXX      /return
```

The subroutine return is to call + 2 with the floating point value of the expression it evaluated in the FLAC. (How EVAL works is discussed in Appendix A.)

NOTE: All temporary storage must be in the PDL before calling EVAL. This data must be restored after the return. (see Appendix for examples.)

VI. LINKS TO FOCAL

A. Functions

The general form of a function in "FOCAL" is FUNC(ARG1, ARG2, ---). The function coding is entered via a SORTJ where the address is designated in the table:

FNTABF = .	/(376) in FOCAL-W 8/68
XABS	/address of FABS coding
XSGN	/FSGN
XINT	/etc.
XDIS	
XRAN	
XDXS	
XADC	
ATN	
EXP	
LOG	
SIN	
COS	
SQT	
NEW	/user defined function

To add a user coded function put the entry point of the function coding in the appropriate location in the above table. FOCAL will branch to that location after the function name is decoded, and ARG1 is evaluated in the floating accumulator (FLAC). To delete a function from the list, replace the current contents with 2725.

When the function evaluation is complete, the answer must be left in the FLAC, and a JMP I EFUN3I executed. The EFUN3I routine will check to see if there is a right parenthesis (")" in CHAR, and normalize the FLAC, before returning to the appropriate place in FOCAL. (See Hints and Kinks, Section XIII A, if the answer is an integer.)

B. Links to FOCAL - the LIBRARY Command

FOCAL has an unimplemented command, the LIBRARY command (SET, ASK, TYPE, etc. are commands). The general form of a command is:

X _ (any syntax allowable by coding).

For example the SET command's allowable syntax is:

SET _ (variable)= (arithmetic expression).

To generate the link to the user's LIBRARY command, put the entry address in 1201. FOCAL will enter via a JMP with CHAR containing 240g (a space). The following coding may be used at the end of a LIBRARY command to space over extraneous characters to a semicolon or carriage return, which must be in CHAR before doing an effective JMP PROC to return to FOCAL:

SKP	/entry
GETC	/fetch the next character
SORTC	/sort for a ; or c.r.
GLIST-1	
JMP PROC	/FOUND IT !
JMP .-4	/not yet

C. Debugging

It has always been a problem to debug FOCAL programs, as FOCAL runs with the interrupt on. Recently, a DECUS program XOD (DECUS #8-89) became available. This program may be used in field 1 to debug FOCAL in field 0 with the following patches made by J. C. Alderman.

FIX UP XOD

Patch FOCAL	0001	5575
(field 0)	0175	2603
	6761	5002
Patch XOD	6762	0002
(field 1)	6763	5404
	6764	0003
	6765	6613
	6766	0004

VII. ACKNOWLEDGEMENTS

The author wishes to express his thanks to J. C. Alderman for his help in formulation of ideas and text editing. Also, an emphatic "thank you" to Rick Merrill for the most beautiful program in the world, FOCAL!

VIII. APPENDIX A

A. A Prescription

To add a function:

1. Put the function address in FNTABF.
2. Do coding.
 - a. Use PDL for temporary storage
 - b. If more than one argument is needed:

```
PUSHJ  
ARG
```

where ARG is a supplied subroutine (See Appendix B). ARG is a subroutine which moves past commas and evaluates arithmetic statements, leaving the result in the FLAC.

3. Put the functional result in the FLAC.
4. Return to FOCAL via JMP I EFUN3I.

To add the LIBRARY command:

1. Put the initial address in the contents of 1201 (for expansion of commands see Appendix B).
2. Exit from coding via an effective JMP PROC. Note: the contents of CHAR must be either ; or a carriage return.

IX. APPENDIX B

A. A Few Useful Routines

1. Argument evaluator

A common requirement, especially in function additions, is a routine which test for and evaluates additional arguments. The subroutine ARG (coded below), checks if the contents of CHAR is a comma (,), moves past the comma, evaluates the argument, and returns to call + 3. If the contents of CHAR is anything other than a comma, return is to call + 2.

```
Call:          PUSHJ
               ARG
               XXX      /CHAR was not a comma
               XXX      /return with ARG(next) in FLAC

               ARG,    TAD CHAR  /get CHAR
                   TAD MCOMMA
                   SZA CLA   /A comma?
                   JMP .+4   /yes: exit via POPJ
                   PUSHJ    /move past comma and evaluate next arg.
                   EVAL-1
                   IAC      /increment return
                   POPJ
```

2. LIBRARY expansion

As FOCAL has only one 'extra' command character, LIBRARY, a routine to expand the number of commands is useful. In this way the normal format:

```
L _ (statement)
```

which allows only one command branch, may be extended into the syntax:

```
L _ X _ (statement)
```

where X represents another command. A listing of this routine follows.

3. Function-command extension

The user may desire to perform a branch within a function, e.g. ARG2 in the function call FNEW (ARG1, ARG2, ARG3, ---) may be used as a command letter to specify a branch to perform different operations. An example of a subroutine to do this follows. (see next page)

NOTE: The return to FOCAL from each branch must be via a JMP I EFUN3I.

With the use of the last two routines, the number of commands and/or functions may be extended to any level.

```

/
*COMCO+10
      LIIPAF
/
*7346
/COMMAND PROCESSOR
/
LIIPAF, SPNOF /IGNOEF SPACES
      TAD CHAF /GET COMMAND CHAR
      PUSHA /STASH IT
      CFTC /GET NEXT
      SOFTC /MOVE TO TERMINATOR
      CLIST-1
      SKP
      JMP .-4
      SPNOF /IGNOEF SPACES
      POPA /GET COMMAND CHAR
      SOFTJ /GO THERE
      CLIST-1
      COLIST-CLIST
      FFFOF /NOT IN LIST

```

```

/
/
*5571
CLIST=.
323 /SWAP
322 /FFSTOP
320 /PUT
7777 /COMMAND LIST TERMINATOR
/
/

```

```

*6171
COLIST=.
SWAP
FFSTOP
PUT
/
/

```

*

```

/
/LOCAL COMMAND LFCODEF
/
FADC,   JMS I INTFCBF   /MAKE ARGUMENT AN INTFCBF
        PUSHA           /SAVE IT
        TAD CHAF        /COMMA SHOULD BE NEXT
        TAD MCOMMA
        SZA CLA
        BRFOF4
        GFTC            /MOVE PAST COMMA
        SPNOF           /IGNORE SPACES
        TAD CHAF        /GET COMMAND CHAF.
        PUSHA           /STASH IT
        SOFTC
        TRFMS-1        /IGNORE REST OF NAME
        JMP .+3         /IN LIST
        GETC            /GET NEXT AND IGNORE
        JMP .-4
        SPNOF           /IGNORE SPACES
        POPA            /GET COMMAND CHAF
        SOFTJ
        COMMANDS-1
        ADDS-COMMANDS /GO TO APPROPRIATE ROUTINE
        BRFOF4         /NOT IN LIST
MCOMMA, -254
/

```

*

SIMPLIFIED FLOWCHART OF SUBROUTINE EVAL

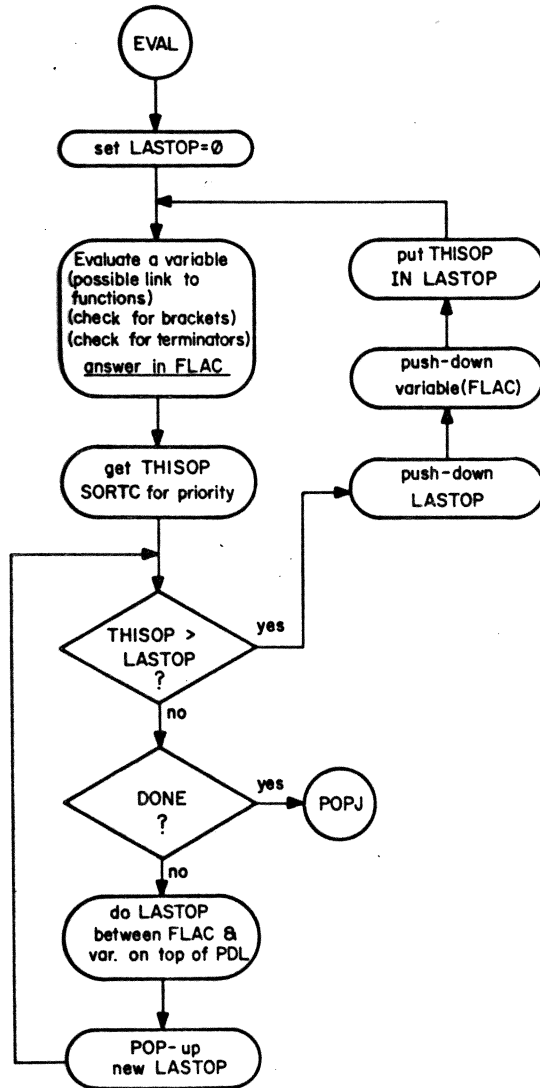


Figure 2

Two locations, LASTOP and THISOP, contain the priority assignment of the present and last operands respectively. The steps in the evaluation of

$$A + B * C - D / E \uparrow F$$

would be:

<u>THISOP</u>	<u>LASTOP</u>	<u>FLAC</u>	<u>PDL</u>	<u>EXPLANATION</u>
N.A.	∅	A		evaluate A into FLAC; lastop starts out ∅.
1	∅	A		plus has priority 1
	1		A ∅	THISOP higher than LASTOP; put LASTOP and FLAC in PDL
	1	B	A ∅	evaluate B into FLAC; put THISOP into LASTOP
3	1	B	A ∅	THISOP has priority 3 - *
	3		B 1 A ∅	THISOP higher than LASTOP; put LASTOP and FLAC in PDL put THISOP into LASTOP
	3	C	B 1 A ∅	evaluate C into FLAC
2	3	C	B 1 A ∅	- has priority 2
2		C*B	1 A ∅	do the last operation between FLAC and top of PDL.
2	1	C*B	A ∅	get new LASTOP from PDL

<u>THISOP</u>	<u>LASTOP</u>	<u>FLAC</u>	<u>PDL</u>	<u>EXPLANATION</u>
	2		C*B 1 A ∅	THISOP higher than LASTOP put LASTOP and FLAC in PDL put THISOP in LASTOP
	2	D	C*B 1 A ∅	evaluate D
4	2	D	C*B 1 A ∅	/ has priority 4
	4		D 2 C*B 1 A ∅	THISOP higher than LASTOP put LASTOP and FLAC in PDL put THISOP into LASTOP
5	4	E	D 2 C*B 1 A ∅	↑ has priority 5 evaluate E
	5		E 4 D 2 C*B 1 A ∅	THISOP higher than LASTOP put LASTOP and FLAC in PDL put THISOP into LASTOP
∅	5	F	(same as above)	evaluate F no more operations so this operation has priority ∅

<u>THISOP</u>	<u>LASTOP</u>	<u>FLAC</u>	<u>PDL</u>	<u>EXPLANATION</u>
\emptyset	4	E↑F	D 2 C*B 1 A \emptyset	THISOP lower than LASTOP do LASTOP with top of PDL get new LASTOP from PDL
\emptyset	2	D/E↑F	C*B 1 A \emptyset	THISOP lower than LASTOP do LASTOP with top of PDL get new LASTOP from PDL
\emptyset	1	C*B-D/E↑F	A \emptyset	(same as above)
\emptyset	\emptyset	A+B*C-D/E↑F		(same as above)

THISOP LASTOP \emptyset hence we are done: do POPJ exit

XI. APPENDIX D

A. Field One Variable Array

1. Abstract

A new form of 8K FOCAL W. (DEC-08AJAD-PB), is available which uses field one to store data arrays in three word floating-point form. This facility is added to 4K FOCAL W via the function call FNEW. The function may be called recursively to any level, and all of the features of FOCAL are retained. In addition, an ERASE or ERASE ALL command will not wipe out the array. Hence, variables may be stored for use in successive programs.

2. Requirements

Fits into unused locations in the Floating-Point Package (DEC-08-YQYA-PB)

7154-7177
6572-6576
5755-5764
7554-7577

3. Usage

Loading

Load after FOCAL W. has been loaded into the machine (before or after initial dialogue). Restart FOCAL W. at 200g.

Calling sequence

To store a variable Z as array element J:

 * S X = FNEW(J, Z)

or

 * 4.3 S X = FNEW(J, Z)

In addition X will be set equal to Z.

To get the data from array element K and set Z equal to this element:

 * S Z = FNEW(K)

i.e. If there is only one argument the instruction is interpreted as a 'GET'. If there are two arguments it is interpreted as a 'PUT'. In the above examples the arguments may be any arithmetical expression that can be evaluated.

C. Recursive calling

The function FNEW may be called recursively at any level. VIZ,

```
* S Z = FNEW(J,FNEW(J +10))
```

sets $Z = FNEW(J+10)$ and stores FNEW(+10) in array element J.

```
* 3.2 S Z= FDXS(J*1000) + FDIS(FNEW(J)*NORM)
```

The arguments may be any arithmetical expression. The following are valid:

```
* S Z = FNEW(J*M-3, FEXP(X*2)*Y)
```

```
* S Z = FNEW(J,FNEW(J)*FEXP(FNEW(L)))
```

4. Description

The function FNEW protects the binary loader in upper core. The user, of course, may subdivide his array into any number of smaller arrays, keeping track of his own indices.

APC	5755
FOTTOM	0027
CHAF	0142
FFUN31	0100
FNT	7573
FNT	0077
EPIDF	4526
FVAL	1603
FFNT	4407
FFXT	0000
FLAC	0044
FLIST1	0603
FMUL	3000
FNEV	7154
FNTAFB	0376
CET	7554
CLIST	1406
ICNOF	0217
ILIST	0761
INTECF	0052
IIFTN	0231
MCOMMA	0163
MCH	0065
POPA	1413
POPJ	5502
FUSHA	4503
FUSHJ	4501
PUT	7564
F7600	0024
FEADC	4513
SETUP	6572
SOITC	4511
SOFTJ	4510
SPNOF	4521
STAETV	0134
THREE	7173
TLIST	1407
T2	0157

```

/
/
/
FIELD 0
/
/PAGE ZERO CONSTANTS
/
*163
0163 7524 MCOMMA, -254
/
/
*FNTAPP+15
0413 7154 FNEW /PUT ADDRESS IN FNTAPP
/
/
*7154
/FIELD ONE FNEW VARIABLES
/CALL: FNEW(ARG1) /GET ARRAY ELEMENT ARG1
/ FNEW(ARG1,ARG2) /PUT VALUE OF ARG1 IN ARRAY ELEMENT
PC2 A
/
/
7154 4407 FNEW, FFNT /ENTER FFF
7155 3373 FMUL THREE /MULT. ADDRESS BY THREE FOR THREE
7156 0000 FEXT /FP STORAGE
7157 4452 JMS I INTEGER /MAKE IT AN INTEGER ADDRESS
7160 7500 SMA /BEGIN CHECK FOR OVERWRITING LOADS

7161 5366 JMP .+5 /O.K.
7162 1056 TAD 56 /+2XX
7163 7700 SMA CLA
7164 4526 ERPOP /MUST PROTECT LOADS
7165 1046 TAD FLAC+2 /GET ADDRESS OF ARRAY
7166 4503 PUSHA /STORE IN PLL
7167 4501 PUSHJ /EVALUATE ARG2
7170 5755 AFG
7171 5777 JMP GET /ARG2 EXISTS; GET DATA
7172 5776 JMP PUT /PUT DATA AWAY
7173 0002 THREE, 2 /CHANGE THIS FOR TWO WORD
7174 3000 3000 /OR INTEGER STORAGE
7175 0000 0000

/
/
/
7176 7564
7177 7554

```

```

*5755
/EVALUATE AN ARGUMENT; IF NOT
/THERE RETURN TO CALL+2 VIA POPJ
/IF THERE TO CALL+3
/
5755 1142 ARG,   TAD CHAR
5756 1163       TAD MCOMMA
5757 7640       SZA CLA /IS IT A COMMA?
5760 5364       JMP .+4           /NO:ARG2 MISSING
5761 4501       PUSHJ
5762 1602       EVAL-1
5763 7001       IAC           /INCREMENT RETURN
5764 5502       POPJ        /DO SUBROUTINE RETURN
/
/
*7554
7554 4777 GET,   JMS SETUP      /SET UP POINTER TO DATA
7555 1416       TAD I 16        /GET EXPONENT
7556 3044       DCA FLAC
7557 1416       TAD I 16        /GET HIGH ORDER MANTISSA
7560 3045       DCA FLAC+1
7561 1416       TAD I 16        /GET LOW ORDER
7562 3046       DCA FLAC+2
7563 5373       JMP END
7564 4777 PUT,   JMS SETUP
7565 1044       TAD FLAC
7566 3416       DCA I 16        /PUT AWAY EXPONENT
7567 1045       TAD FLAC+1
7570 3416       DCA I 16
7571 1046       TAD FLAC+2
7572 3416       DCA I 16
7573 6201 END,   CDF           /RESTORE DATA FIELD
7574 5500       JMP I EFUN3I    /DO FUNCTION RETURN
/
/
7577 6572
*6572
/SET UP POINTER TO ARRAY IN XR-16
/CHANGE TO DATA FIELD 1
/
6572 0000 SETUP, 0
6573 1413       POPA        /GET ADDRESS
6574 3016       DCA 16
6575 6211       CDF 10
6576 5772       JMP I SETUP
/
/

```


XII. APPENDIX E

A. Disk Variable Storage

1. Abstract

This FOCAL overlay is equivalent to the FIELD ONE variable addition to FOCAL described in Appendix D. In this case, however, variables are stored on the Disk.

2. Comments

The contents of location 167 (BASE) must be set for the user's machine configuration. Disk variables are written on the disk from BASE upward. BASE is the disk extended address of the lowest used location.

e.g.

last 4K of one disk system $C(167) = 7000_8$

last 8K of two disk system $C(167) = 16000$

last 16K of two disk system $C(167) = 14000$

The present listing is for the last 4K on a two disk system, i.e. $C(167) = 17000_8$.

AFC	5755
FASE	0167
BOTTOM	0027
CA	0164
CHAF	0142
FEUN3I	0100
FNT	0077
FHOF	4526
FVAL	1603
FENT	4407
FEET	0000
FLAC	0044
FLIST1	0603
FMUL	3000
FNEU	7154
FNTAF	0376
GLIST	1406
IGNOF	0217
ILIST	0761
INSTE	7565
INTECF	0052
IIFTN	0231
MCOMMA	0162
MCF	0065
MOFE	7554
POPA	1413
POPJ	5502
PUSHA	4503
PUSHJ	4501
P43	7574
P700	7172
P7600	0024
PFAD	0165
PFADC	4513
PTL6	4520
SOFTC	4511
SOFTJ	4510
SPNOF	4521
STAFV	0134
THREE	7173
TLIST	1407
T2	0157
VC	0163
WPI TE	0166

/DEFINITION* FOCAL

/

CHAF=142
FTL6=4520
PUSHA=4503
FOPA=1413
PUSHJ=4501
POPJ=5502
FVAL=1603
INTFCF=52
FFEDF=4526
FLAC=44
SOFTJ=4510
SOFTC=4511
FFUN3I=100
STAFFV=134
IFFTN=231
YCI=65
TLIST=1407
FLIST1=603
EOTT04=27
FNT=77
T2=157
P7600=24
FFAEC=4513
CLIST=1406
SPNDE=4521
IGNOF=217
FENT=4407
FMUL=3000
FEXT=0
ILIST=761
FNTAEF=376

/

/

/

FIELD 0

/
/
FIELD C
/
/PAGE ZETN CONSTANTS
/

*162
0162 7524 MCOMMA, -254
0163 7750 VC, 7750
0164 7751 CA, 7751
0165 6603 REAL, DMAP
0166 6605 WFILE,
0167 1700 BASE, 1700

/
/
/
/LINK TO FOCAL

*FNTALF+15
0413 7154 FNEW

/
/
/
/
*5755
/EVALUATE AN ARGUMENT; IF NOT
/THERE RETURN TO CALL+2
/IF THERE IS CALL+3
/

5755 1142 ARG, TAD CHAF
5756 1162 TAD MCOMMA
5757 7640 SZA CLA
5760 5364 JMP .+4
5761 4501 PUSHJ
5762 1602 EVAL-1
5763 7001 IAC
5764 5502 POPJ

/
/
*7154
/DISK FNEW
/

7154 4407 FNEW, FENT /ENABLE 3-WORD FP NUMBERS
7155 3373 FMUL THREE
7156 0000 FEXT
7157 4452 JMS I INTEGER /MAKE AN INTEGER
7160 4503 PUSHA /PUSH DISK MEM. AIL.
7161 1045 TAD FLAC+1 /GET HIGH ORDER PART
7162 4520 RTL6 /SHIFT FOR EXTENDED ADDRESS
7163 0372 AND P700 /MASK FOR EXTENDED BITS
7164 1167 TAD BASE /ADD DISK BASE ADDRESS
7165 4503 PUSHA /SAVE DEB
7166 4501 PUSHJ /EVALUATE ARG2
7167 5755 ARG
7170 7344 STA CLL IAL /-2 FOR READ
7171 5777 JMP MORE /SAVE DATA
7172 0700 P700, 700
7173 0002 THREE, 2
717

7173	0008	THIFE,	8	
7174	3000		3000	
7175	0000		0	
		/		
		/		
7177	7554			
		*7554		
7554	1166	MOFE,	TAL WHITE	/MAKE DISK INSTRUCTION
7555	3365		LCA INSTE	
7556	1413		POFA	/GET IFA
7557	6615		IFAL	
7560	7346		STA CLL ITL	/TRANSFER 8 WORDS
7561	3563		LCA I MC	
7562	1374		TAL P43	/INTD FLAG
7563	3564		LCA I CC	
7564	1413		POFA	/GET DMA
7565	0000	INSTI,	0	
7566	6002		IOF	/DISABLE INTERRU.
7567	6622		DFSC	/DONE?
7570	5367		JMP --1	/NO WAIT
7571	6601		ICMA	/MASH FLAG
7572	6001		ION	
7573	5500		JMP I FFUNGI	/DO A FUNCTION RETURN
7574	0043	P43,	43	
		/		
		/		

XIII. APPENDIX F

A. Hints and Kinks Department

For the experienced programmer the following may be helpful.

1. Location EVAL-1 contains the subroutine call GETC. Hence, to move past a character and evaluate an argument one may:

```
PUSHJ
EVAL-1
```

2. The first instruction in the POPJ subroutine is TAD I 13. Hence, for multiple returns from a subroutine one may POPJ with the AC nonzero, e.g. if the AC is 1, return is to call +3 instead of call +2 (as in a normal POPJ return). VIZ,

```
PUSHJ          /call
SUB
XX             /normal return
XX             /POPJ return if AC= 1 when POPJ
               called
XX             /return if AC= 2
               /etc.
```

In all cases the subroutine will return with the AC = \emptyset .

3. When using signed and unsigned integers care must be taken that minus zero is not in the FLAC since EFUN3I normalizes the FLAC. (FOCAL will 'hang' in that event.) The following coding will apply for unsigned integers.

```
CLL RAR          /make sure sign bit is  $\emptyset$ 
DCA FLAC + 1
RAR
DCA FLAC + 2     /put carry bit away
TAD P14
DCA FLAC         /put exponent in
JMP I EFUN3I
```

for signed integers:

```
CLL RAL
SNA
CLL              /make sure positive  $\emptyset$ 
RAR
DCA FLAC + 1
DCA FLAC + 2
TAD DCA FLAC
JMP I EFUN3I
```

4. There is a BUG in FOCAL. The RMF in the interrupt routine must be moved to just prior to the ION. This will not give trouble until field one coding is added.

5. For hardware initialization when FOCAL recovers (Control-C) one may use location 2775.

6. For machines without a high-speed reader, additional coding room of 6320-6377 may be gained by overwriting the HRS routine. To remove the * command deposit 2725 in location 1207.