

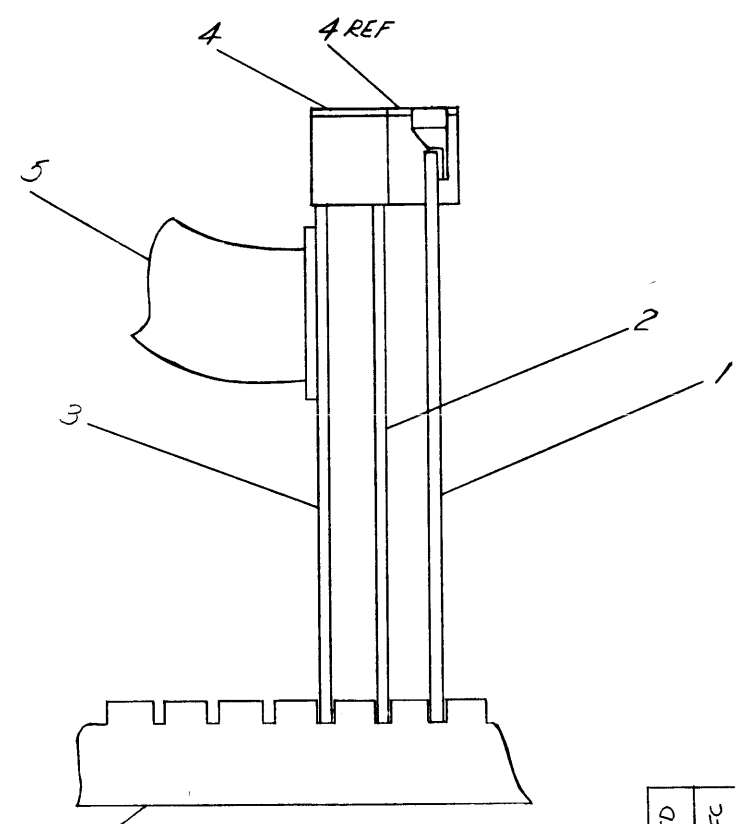
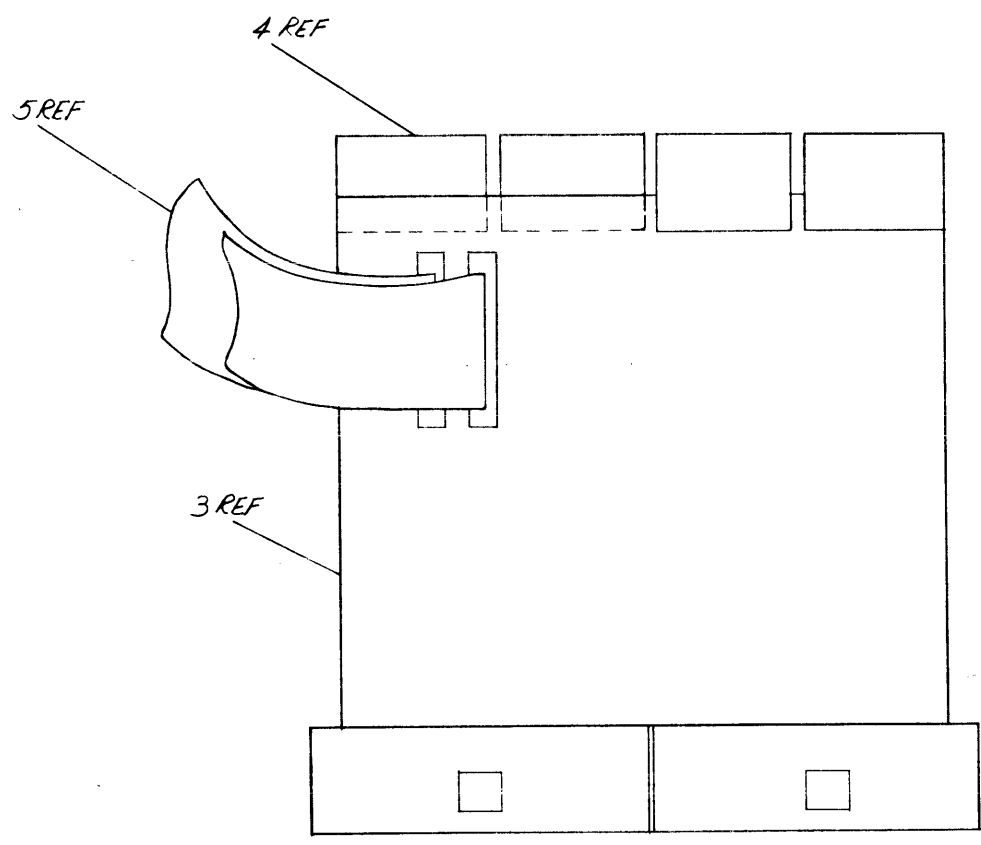
TITLE	SHEET	OF	SIZE	CODE	NUMBER	REV
RK8-F DISK & CONTROL	2	3	B	DD	RK8-F	

CUSTOMER PRINT SET		MECHANICAL / ELECTRICAL					CUSTOMER PRINT SET		MECHANICAL / ELECTRICAL						
	MFG. SET	FIND NO.	DRAWING NO.	REV	NO OF SHT	DESCRIPTION	OPTION NO./FILE DATE		MFG. SET	FIND NO.	DRAWING NO.	REV	NO OF SHT	DESCRIPTION	OPTION NO./FILE DATE
X		1	D-UA-RK8-F-Ø		1	RK8-F DISK & CONTROL		X		6	D-AD-7009026-0-0	#	2	CONTROL CABLE ASSY	
X			D-FD-RK8-F-1		4	FLOW DIAGRAM RK8-F									
X			D-TD-RK8-F-2		1	MAJOR STATES & TIMING FLOW									
X			A-AL-RK8-F-3		1	ACCESSORY SHIPPING LIST									
			A-SP-RK8-F-4		3	MODULE TEST & ACCEPTANCE FOR	RK8-F	X		7	D-CS-M993-Ø-1	#	2	RK8-E CONTROL CABLE MODULE	
			A-SP-RK8-F-5		39	RK8 DISK CONTROL					K-CO-M993-Ø-4		1	X-Y COORDINATE HOLE LOCATION	
X			A-SP-RK8-F-6		5	FIELD INSTALL& ACCEPT. PROC.					D-AH-M993-Ø-5		1	ASSY/DRILLING HOLE LAYOUT	
			A-SP-RK8-F-7		5	IN-HOUSE ACCEPT. PROC.					B-MH-M993-Ø-6		1	MODULE ECO HISTORY	
X		2	B-DD-RKØ5-Ø	#	5	DEC PACK ASSY									
X		3	D-CS-M71Ø4-YA-1	#	7	DATA BUFFER & STATUS									
			K-CO-M71Ø4-YA-4		1	X-Y COORDINATE HOLE LOCATION				8	B-UA-H851-Ø-Ø		1	H851 EDGE CONNECTOR	
X			D-AH-M71Ø4-YA-5	#	1	ASSY/DRILLING HOLE LAYOUT					A-PL-H851-Ø-Ø		1	H851 EDGE CONNECTOR	
			B-MH-M71Ø4-YA-6		1	MODULE ECO HISTORY		X			B-CS-H851-Ø-1	#	1	EDGE CONNECTOR H851	
											C-AH-H851-Ø-5		1	ASSY/DRILLING HOLE LAYOUT	
											B-MH-H851-Ø-6		1	MODULE ECO HISTORY	
X		4	D-CS-M71Ø5-YB-1	#	5	MAJOR REGISTERS									
			K-CO-M71Ø5-YB-4		1	X-Y COORDINATE HOLE LOCATION									
X			D-AH-M71Ø5-YB-5	#	1	ASSY DRILLING HOLE LAYOUT									
			B-MH-M71Ø5-YB-6		1	MODULE ECO HISTORY									
										9	D-IA-5008903-0-0		1	ETCH BOARD (H851)	
											C-AH-5008903-0-5		1	ASSY/DRILLING HOLE LOCATION	
X		5	D-CS-M71Ø6-Ø-1	#	6	CONTROL RK8-E									
			K-CO-M71Ø6-Ø-4		1	X-Y COORDINATE HOLE LOCATION									
			D-AH-M71Ø6-Ø-5		1	ASSY/DRILLING HOLE LAYOUT									
			B-MH-M71Ø6-Ø-6		1	MODULE ECO HISTORY									

CUSTOMER PRINT SET CODES  
X = PRINT OF DOCUMENT INCLUDED IN PRINT SET  
C = INCLUDES ALL PRINTS INDICATED ON DOCUMENT  
S = CONFIDENTIAL AUTHORIZED SIGNATURE REQUIRED

TITLE  
RK8-F DISK & CONTROL  
SHEET 3 OF 3  
SIZE CODE  
B DD  
NUMBER  
RK8-F  
REV

This drawing and specifications herein are the property of Digital Equipment Corporation and shall not be reproduced or copied or used in whole or in part as the basis for the manufacture or sale of items without written permission. COPYRIGHT © 1973 DIGITAL EQUIPMENT CORPORATION



(DW8E I/O BUS CONVERTER/EXPANDER)

RK8-FD	RK8-FC	RK8-FB	RK8-FA	RK8-F	DESCRIPTION	PART NO.	ITEM NO.
1	-	-	-	-	DEC PACK DISK DRIVE 230 VAC 50 HZ	D-UA-RK05B8-0	9
-	-	1	-	-	DEC PACK DISK DRIVE 230 VAC 60 HZ	D-UA-RK05BA-0	8
-	1	-	-	-	DEC PACK DISK DRIVE 115 VAC 50 HZ	D-UA-RK05AB-0	7
-	-	-	1	-	DEC PACK DISK DRIVE 115 VAC 60 HZ	D-UA-RK05AA-0	6
1	1	1	1	1	M993 TO BERG	D-AD-700926-00	5
4	4	4	4	4	EDGE CONNECTOR	B-UP-1051-0-0	4
1	1	1	1	1	CONTROL, RK8-E	D-CS-M7106-01	3
1	1	1	1	1	MAJOR REGISTERS	D-CS-M7105-YB1	2
1	1	1	1	1	DATA BUFFER & STATUS	D-CS-M7104-YA1	1

FIRST USED ON OPTION/MODEL	QTY.	DESCRIPTION	PART NO.	ITEM NO.
RK8-F				
UNLESS OTHERWISE SPECIFIED DIMENSION IN INCHES TOLERANCES		PARTS LIST		
DECIMALS	ANGLES	TITLE		
.XXX - .005	± 0° 30'	RK8-F		
.XX - .02		DISK & CONTROL		
X - .1				
REMOVE BURRS AND BREAK SHARP CORNERS SURFACE QUALITY		MATERIAL		
		NEXT HIGHER ASSY.		
		FINISH		
		SCALE		
		SHEET		
		B-DI: RK8-F		
		SIZE CODE		
		NUMBER		
		REV		
		DUA RK8-F-0		
		DIST		
		1		

REV	CHANGE NO	REVISIONS

This drawing and specifications, herein, are the property of Digital Equipment Corporation and shall not be reproduced or copied or used in whole or in part as the basis for the manufacture or sale of items without written permission.

**DIGITAL EQUIPMENT CORPORATION  
MAYNARD, MASSACHUSETTS**

DATE 4-10-73

TITLE RK8F FIELD INSTALLATION AND ACCEPTANCE PROCEDURE

REVISIONS

REV	DESCRIPTION	CHG NO	ORIG	DATE	APPD BY	DATE

ENG <i>SG</i>	APPD <i>SG</i>	SIZE A	CODE SP	NUMBER RK8-F-6	REV
---------------	----------------	-----------	------------	-------------------	-----

**ENGINEERING SPECIFICATION**



CONTINUATION SHEET

TITLE RK8F FIELD INSTALLATION AND ACCEPTANCE PROCEDURE

- 1.0 SHIPPING HARDWARE
  - 1.1 RK8F Control
    - 1.1.1 M7104-YA
    - 1.1.2 M7105-YB
    - 1.1.3 M7106
  - 1.2 RK05 Disk Drive (Maximum of 4 drives per control)
    - 1.2.1 95 to 130VAC @ 60 ± 0.5 Hz - RK05-AA
    - 1.2.2 190 to 260VAC @ 60 ± 0.5 Hz - RK05-AB
    - 1.2.3 95 to 130 VAC @ 50 ± 0.5 Hz - RK05-BA
    - 1.2.4 190 to 260 VAC @ 50 ± 0.5 Hz - RK05-BB
  - 1.3 Interface Cables and Terminator
    - 1.3.1 Interface cable between RK8E control and RK05 - 7009026
    - 1.3.2 Interface cable from one RK05 to another. BC11A
    - 1.3.3 Terminator Module (last RK05) M930
  - 1.4 (1) Disk Cartridge, HD16 Sector, 30-10350-02.
- 2.0 SHIPPING SOFTWARE
  - 2.1 RK8E Diskless Control Test
    - Maindec-08-DHRKA-A-PB
    - Maindec-08-DHRKA-A-D
  - 2.2 RK8E Drive Control Test
    - Maindec-08-DHRKB-A-PB
    - Maindec-08-DHRKB-A-D
  - 2.3 RK8E Formatter Program
    - Maindec-08-DHRKD-A-PB
    - Maindec-08-DHRKD-A-D
  - 2.4 RK8E Data Reliability Program
    - Maindec-08-DHRKC-A-PB
    - Maindec-08-DHRKC-A-D

SIZE A	CODE SP	NUMBER RK8-F-6	REV
-----------	------------	-------------------	-----

**ENGINEERING SPECIFICATION**

0767001

CONTINUATION SHEET

TITLE RK8F FIELD INSTALLATION AND ACCEPTANCE PROCEDURE

3.0 UNPACKING AND INSTALLATION

- 3.1 Unpack and inspect RK05 using the procedure in the RK05 Disk Drive Maintenance Manual, Chapter 2.
- 3.2 Using the Shipping Hardware and Software lists, verify that all items are present.
- 3.3 Insure power on the PDP-8E, 8M, 8F is turned off.
- 3.4 Check the M7104-YA TO INSURE THAT THE DEVICE code jumpers are in the correct configuration (normally 674X), refer to Table 1.

**NOTE:** The diagnostic programs normally recongnizes Program Device Code 674X. If it desired to operate with a different code, refer to the Diagnostic Document's Section headed "Change Program Device Codes".

TABLE 1

Octal Code	Jumpers Installed
674X	W2 W4 W6
675X	W2 W3 W4
676X	W1 W2 W6
677X	W1 W2 W3

- 3.5 Check M7105-YB MODULE TO INSURE THAT THE PRIORITY jumpers are in the correct configuration, refer to Table 2.

SIZE CODE NUMBER REV  
A SP RK8-F-6

**ENGINEERING SPECIFICATION**

0767001

CONTINUATION SHEET

TITLE RK8F FIELD INSTALLATION AND ACCEPTANCE PROCEDURE

3.0 UNPACKING AND INSTALLATION (continued)

TABLE 2

Break Priority	Jumpers Installed
∅	W1 W4
1*	W2 W3 W5

\*Normally shipped with priority 1 jumpers installed.

- 3.6 Connect the 7009026 cable to the Berg connector on the M7106 module.
- 3.7 Insert the RK8F modules into the Omnibus (refer to UA-RK8-F-∅). Refer to Table 2-3 in Volume I of the PDP-8E Maintenance Manual for installation priorities.
- 3.8 Install H851 top connectors between the modules (refer to UA-RK8-F-∅).
- 3.9 Following the procedure in the RK05 Maintenance Manual, Chapter 2, install the RK05.

4.0 ACCEPTANCE

- 4.1 Requirements for Acceptance
  - A. ASR33 teletype, or equivalent.
  - B. Programmers console.
  - C. At least 4K of Read/Write Memory.
- 4.2 Run, in order, the programs listed in the "Shipping Software", using the loading and operating procedures in each program's document. If any errors occur, refer to the errors section of the document to evaluate the printout, and Chapter 5 of the RK8E Maintenance Manual for aids in determining the problem.

SIZE CODE NUMBER REV  
A SP RK8-F-6

TITLE RK8F FIELD INSTALLATION AND ACCEPTANCE PROCEDURE

4.0 ACCEPTANCE (continued)

4.3 Each program should be run the following amount of passes.

- A. Diskless Control Test - Two Passes
- B. Drive Control Test - Two Passes
- C. Formatter Program - One Pass
- D. Data Reliability Program - One Pass

4.4 Acceptable Errors

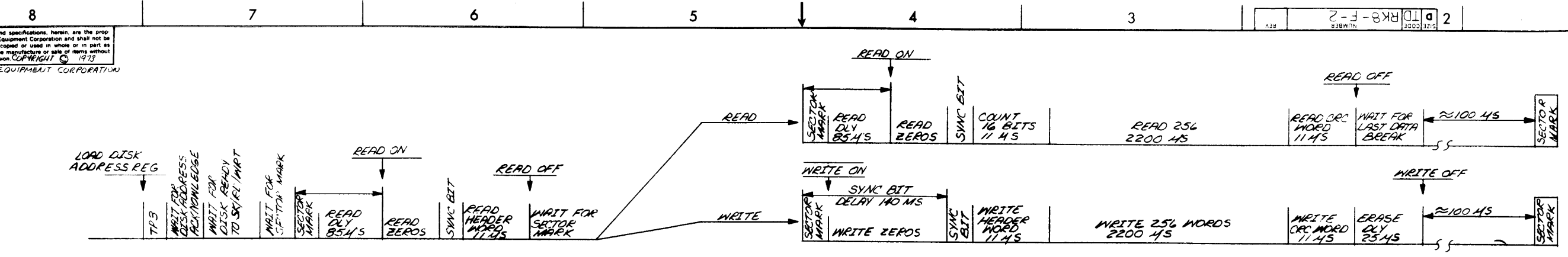
- A. One read error during the Acceptance Procedure

SIZE	CODE	NUMBER	REV
A	SP	RK8-F-6	

DIGITAL EQUIPMENT CORPORATION MAYNARD, MASSACHUSETTS			LEGEND		QUANTITY / VARIATION												
MADE BY D. SULLIVAN DATE 4/16/73		CHECKED K. GLEEZEN DATE 5/24/73	SECTION 1	PA PAPER TAPE ASCII PB PAPER TAPE BINARY	RK8-F	RK8-FA	RK8-FB	RK8-FC	RK8-FD			KIT CHECK	BY	DATE	INSTALLATION CHECK	BY	DATE
ENG DATE <i>5/3/73</i>		PROD DATE <i>5/7/73</i>	ISSUED SECT. 1	PM PAPER TAPE READ-IN-MODE													
ITEM NO.	DWG NO. / PART NO.	DESCRIPTION															
1	B-DD-RK8-F	PRINT SET		1	1	1	1	1	1								
2	LIBKIT RK8-E	SOFTWARE KIT		1	1	1	1	1	1								
3	DEC-8E-HR38-D-RK8-E	MAINTENANCE MANUAL		1	1	1	1	1	1								
4	M930	TERMINATOR MODULE			1	1	1	1	1								
5	RK8-F	RK8E CONTROL (M7104-YA, M7105-YB & M7106)		1	1	1	1	1	1								
6	7009026	INTERFACE CABLE M993 TO BERG		1	1	1	1	1	1								
7	RK05	RK05 DISK DRIVE		REF													
8	BC11A	INTERFACE CABLE M993 TO M993		REF													
9	30-10350-02	DISK CARTRIDGE, HD16 SECTOR		REF													
10	MAINDEC-08-DHRKA-A-PB	RK8E DISKLESS CONTROL TEST		1	1	1	1	1	1								
11	MAINDEC-08-DHRKA-A-D	RK8E DISKLESS CONTROL TEST		1	1	1	1	1	1								
		*UNTIL MAINTENANCE MANUAL BECOMES AVAILABLE															
		SHIP ENGINEERING SPECS (A-SP-RK8-F-5)															
		THESE DOCUMENTS APPLY TO THE RK8-F															
12	MAINDEC-08-DHRKB-A-PB	RK8E DRIVE CONTROL TEST		1	1	1	1	1	1								
13	MAINDEC-08-DHRKB-A-D	RK8E DRIVE CONTROL TEST		1	1	1	1	1	1								
14	MAINDEC-08-DHRKC-A-PB	RK8E DATA RELIABILITY PROGRAM		1	1	1	1	1	1								
15	MAINDEC-08-DHRKC-A-D	RK8E DATA RELIABILITY PROGRAM		1	1	1	1	1	1								
16	MAINDEC-08-DHRKD-A-PB	RK8E FORMATTER PROGRAM		1	1	1	1	1	1								
17	MAINDEC-08-DHRKD-A-D	RK8E FORMATTER PROGRAM		1	1	1	1	1	1								
TITLE ACCESSORY SHIPPING LIST RK8-F				ASSY. NO.		SIZE CODE A AL		NUMBER RK8-F-3			REV.		ECO NO				
SHEET 1 OF 1				DIST.													



This drawing and specifications, herein, are the property of Digital Equipment Corporation and shall not be reproduced or copied or used in whole or in part as the basis for the manufacture of parts or items without written permission. COPYRIGHT © 1973 DIGITAL EQUIPMENT CORPORATION



IF "SEEK ONLY" GO TO IDLE AND SET DONE FLAG.  
IF NOT A HEADER CHECK, GO TO SECTOR SEEK STATE.

SET FOR DONE FLAG

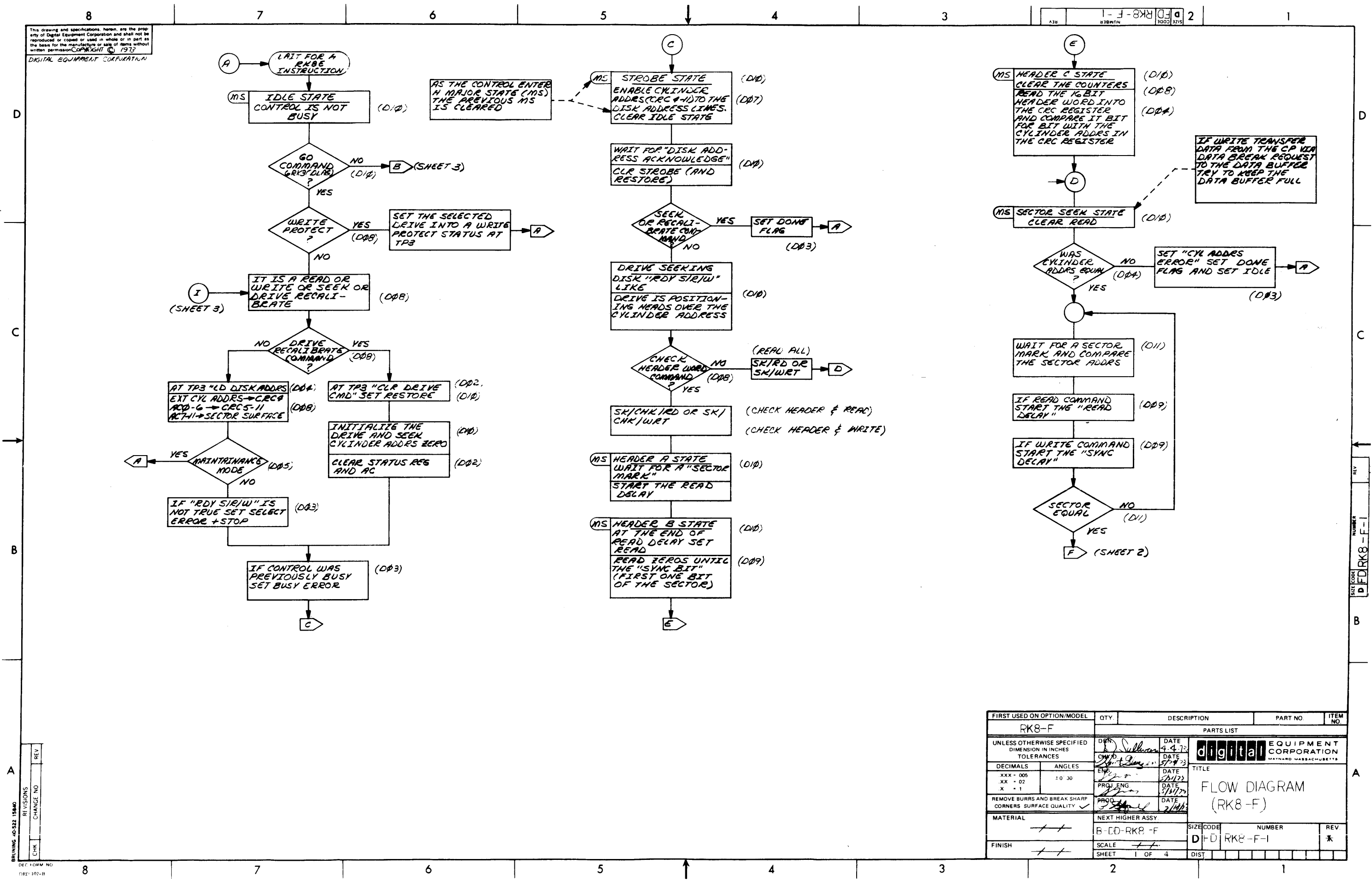
MAJOR STATE	FUNCTION	SEEK	SK/CHK/RD	SK/CHK/WRT	SK/RD	SK/WRT
IDLE	CONTROL IS NOT BUSY. WHEN THE GO COMMAND (FLAG) IS ISSUED THE C(AC) IS LOADED INTO THE CRC* AND SECTOR-SURFACE REGISTERS (DISK ADDRESS)	✓	✓	✓	✓	✓
STROBE	STROBE THE CYLINDER ADDRESS FROM THE CFS REGISTER TO THE DRIVE AND WAIT FOR THE DRIVE'S "ADDRESS ACKNOWLEDGE" SIGNAL.	✓	✓	✓	✓	✓
DRIVE SEEKING	WAIT FOR THE "DISK READY TO SEEK/READ/WRITE" LEVEL FROM THE DRIVE TO SIGNIFY THAT THE HEADS ARE POSITIONED OVER THE CYLINDER ADDRESS.		✓	✓	✓	✓
HEADER A	WAIT FOR THE FIRST SECTOR MARK, THEN START THE READ DELAY.		✓	✓		
HEADER B	AT THE END OF THE READ DELAY TURN THE READ FLOP ON. ZEROS WILL BE READ UNTIL THE SYNC BIT WHICH SIGNIFYS THE BEGINNING OF A SECTOR'S DATA.		✓	✓		
HEADER C	READ THE 16 BIT HEADER WORD AND COMPARE IT WITH THE CYLINDER ADDRESS IN THE CRC REGISTER.		✓	✓		
SECTOR SEEK	IF THE HEADER WORD DOES NOT EQUAL THE CYLINDER ADDRESS SET THE "CYLINDER ADDRESS ERROR" AND GO TO THE IDLE STATE. AT EACH SECTOR MARK COMPARE THE SECTOR ADDRESS WITH THE DISK SECTOR ADDRESS LINE'S, IF EQUAL GO TO THE NEXT STATE.		✓	✓	✓	✓
HEADER D	AT THE BEGINNING OF THE SECTOR START THE "READ DELAY." AT THE END OF THE "READ DELAY" SET "READ" ZEROS WILL BE READ UNTIL THE SYNC BIT.		✓		✓	
HEADER E	AT THE BEGINNING OF THE SECTOR START THE "SYNC BIT DELAY." ZEROS ARE WRITTEN FOR THE LENGTH OF THE DELAY. A "ONE" BIT (SYNC BIT) IS THEN WRITTEN.			✓		✓

MAJOR STATE	FUNCTION	SEEK	SK/CHK/RD	SK/CHK/WRT	SK/RD	SK/WRT
HEADER E	COUNT AND IGNORE THE FIRST 16 BITS. WRITE THE HEADER WORD SPECIFIED BY THE CRC REGISTER.		✓		✓	✓
DATA STATE	READ 256-12 BIT WORDS FROM THE DISK INTO THE DATA BUFFER AND COMPUTE THE CRC. TRANSFER 12 BIT WORD FROM DATA BUFFER TO THE PROCESSOR. THE CONTROL WILL TRY TO KEEP DATA BUFFER EMPTY VIA DATA BREAKS. WRITE ON THE DISK 256-12 BIT WORDS TRANSFERRED FROM THE PROCESSOR TO THE DATA BUFFER. TRYING TO KEEP DATA BUFFER FULL VIA DATA BREAKS. COMPUTE CRC.		✓		✓	✓
CRC STATE	READ AND COMPARE THE CRC WORD WITH THE COMPUTED CRC. WRITE THE COMPUTED CRC ON THE DISK.		✓		✓	✓
END STATE	IF THE CRC FROM THE DISK DOES NOT EQUAL THE COMPUTED CRC, SET THE "CRC ERROR" CLEAR READ. WHEN THE DATA BUFFERS ARE EMPTIED INTO THE PROCESSOR SET THE DONE FLAG AND GO TO THE IDLE STATE. START THE ERASE DELAY AND WRITE ZEROS. AT THE END OF THE ERASE DELAY CLEAR WRITE, SET THE DONE FLAG AND GO TO THE IDLE STATE.		✓		✓	✓

BRUNING 40-332 15840  
REVISIONS  
CHK CHANGE NO REV  
DEC FORM NO DRD 102-B

FIRST USED ON OPTION/MODEL RK8-F	QTY.	DESCRIPTION	PART NO.	ITEM NO.
PARTS LIST				
UNLESS OTHERWISE SPECIFIED DIMENSION IN INCHES TOLERANCES		DATE 4-9-73	digital EQUIPMENT CORPORATION MAYNARD MASSACHUSETTS	
DECIMALS .xxx ± .006	ANGLES .xx ± .02	DATE 5/1/73	TITLE MAJOR STATES TIMING & FLOW	
REMOVE BURRS AND BREAK SHARP CORNERS SURFACE QUALITY ✓		DATE 5/1/73		
MATERIAL ++	NEXT HIGHER ASSY.	DATE 5/1/73		
FINISH ++	B-DD-RK8-F	SCALE NONE	SIZE CODE D	NUMBER RK8-F-2
	SHEET 1 OF 1		DIST.	REV. *

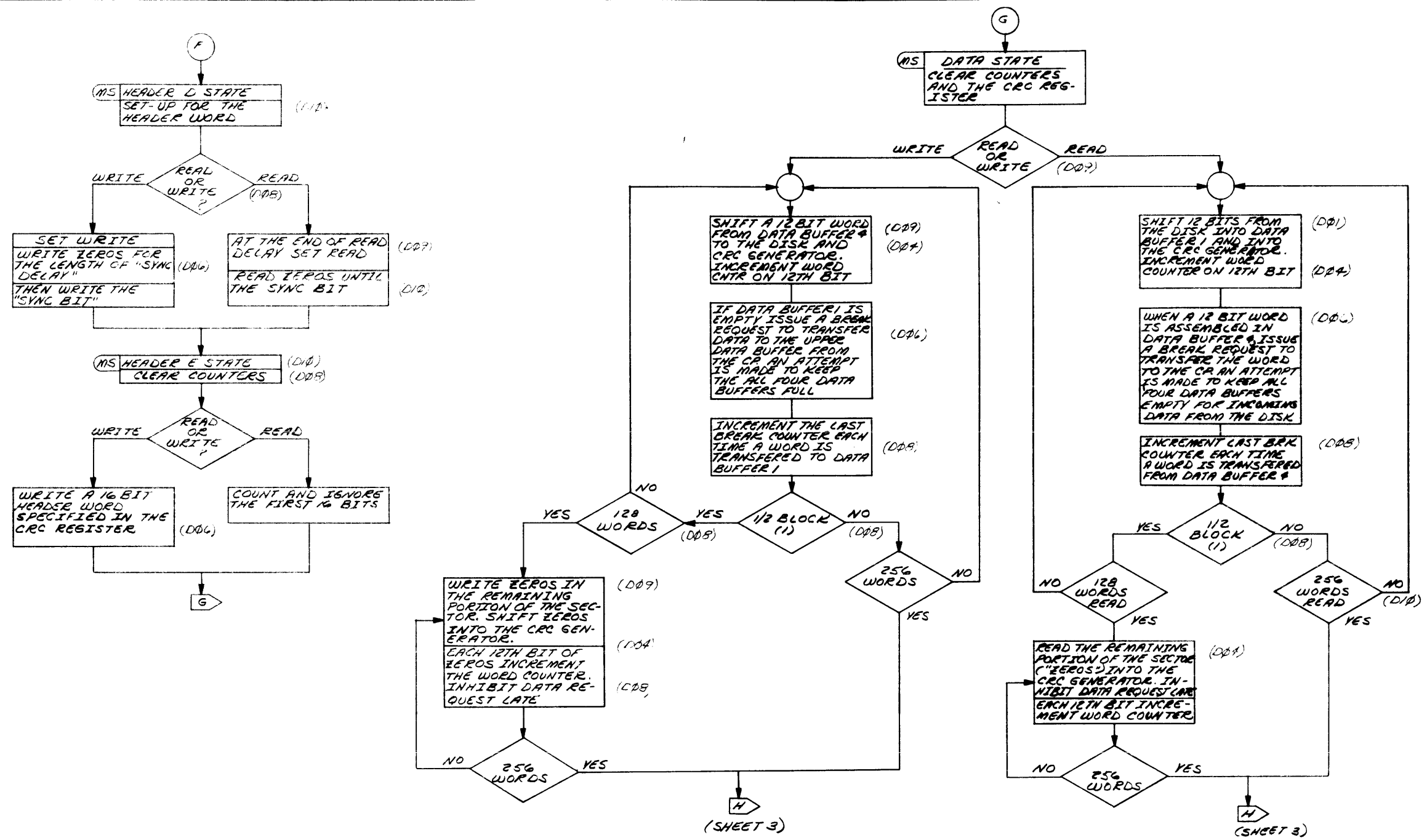
This drawing and specifications, herein, are the property of Digital Equipment Corporation and shall not be reproduced or copied or used in whole or in part as the basis for the manufacture or sale of items without written permission. COPYRIGHT © 1973 DIGITAL EQUIPMENT CORPORATION



FIRST USED ON OPTION/MODEL	QTY.	DESCRIPTION	PART NO.	ITEM NO.
RK8-F				
PARTS LIST				
UNLESS OTHERWISE SPECIFIED DIMENSION IN INCHES TOLERANCES	DATE 4-4-73	 digital EQUIPMENT CORPORATION MAYNARD, MASSACHUSETTS		
DECIMALS .005	DATE 5-29-73			
ANGLES ±0.30	DATE 6-11-73	TITLE FLOW DIAGRAM (RK8-F)		
XXX - .005 .XX - .02 X - .1	DATE 7-11-73			
REMOVE BURRS AND BREAK SHARP CORNERS SURFACE QUALITY ✓	DATE 7-14-73	MATERIAL NEXT HIGHER ASSY		
MATERIAL //	DATE 7-14-73			
FINISH //	DATE 7-14-73	B-DD-RK8-F SCALE SHEET 1 OF 4		
		SIZE CODE D-FD	NUMBER RK8-F-1	REV *

BRUNING 40-522 15840  
REV. NO. 1  
CHANGE NO.  
CHK

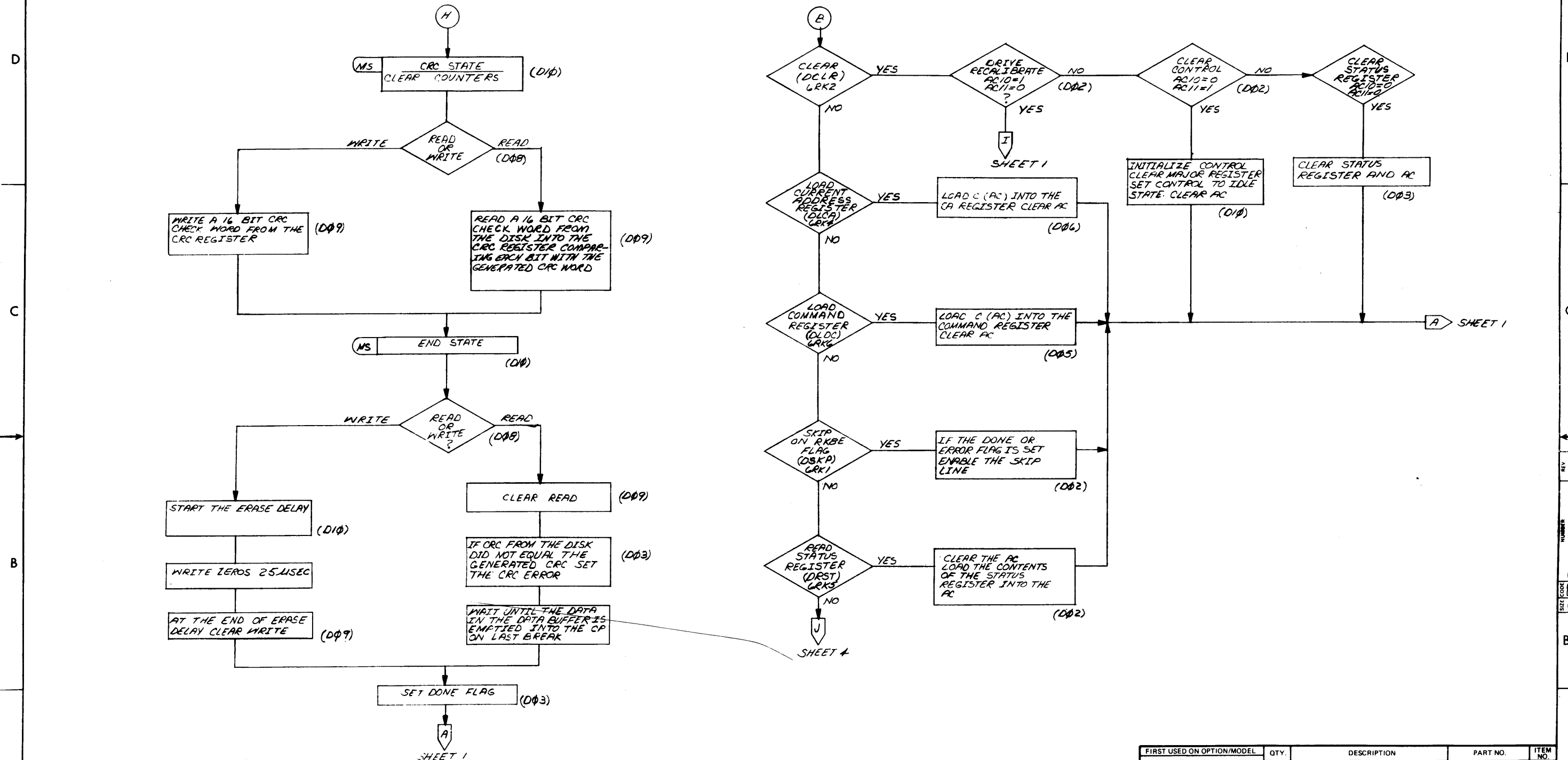
This drawing and specifications herein are the property of Digital Equipment Corporation and shall not be reproduced or copied or used in whole or in part as the basis for the manufacture or sale of items without written permission. COPYRIGHT © 1973 DIGITAL EQUIPMENT CORPORATION



REV.	NO.	DATE
1	1	4/9/72
2	1	5/11/73
3	1	5/11/73
4	1	5/11/73

FIRST USED ON OPTION/MODEL	QTY.	DESCRIPTION	PART NO.	ITEM NO.
RKR-F				
PARTS LIST				
UNLESS OTHERWISE SPECIFIED DIMENSION IN INCHES	DATE	DATE		
TOLERANCES	4/9/72	5/11/73		
DECIMALS	XXX - 005	XX - 02	TITLE <b>FLOW DIAGRAM (RKR-F)</b>	
ANGLES	± 0° 30'	X - 1		
REMOVE BURRS AND BREAK SHARP CORNERS SURFACE QUALITY	PROG	DATE	SIZE CODE <b>D F D R K 8 - F - 1</b>	
MATERIAL	DATE	DATE		
FINISH	NEXT HIGHER ASSY		NUMBER <b>2 OF 4</b>	
	SCALE			
	SHEET		REV <b>*</b>	

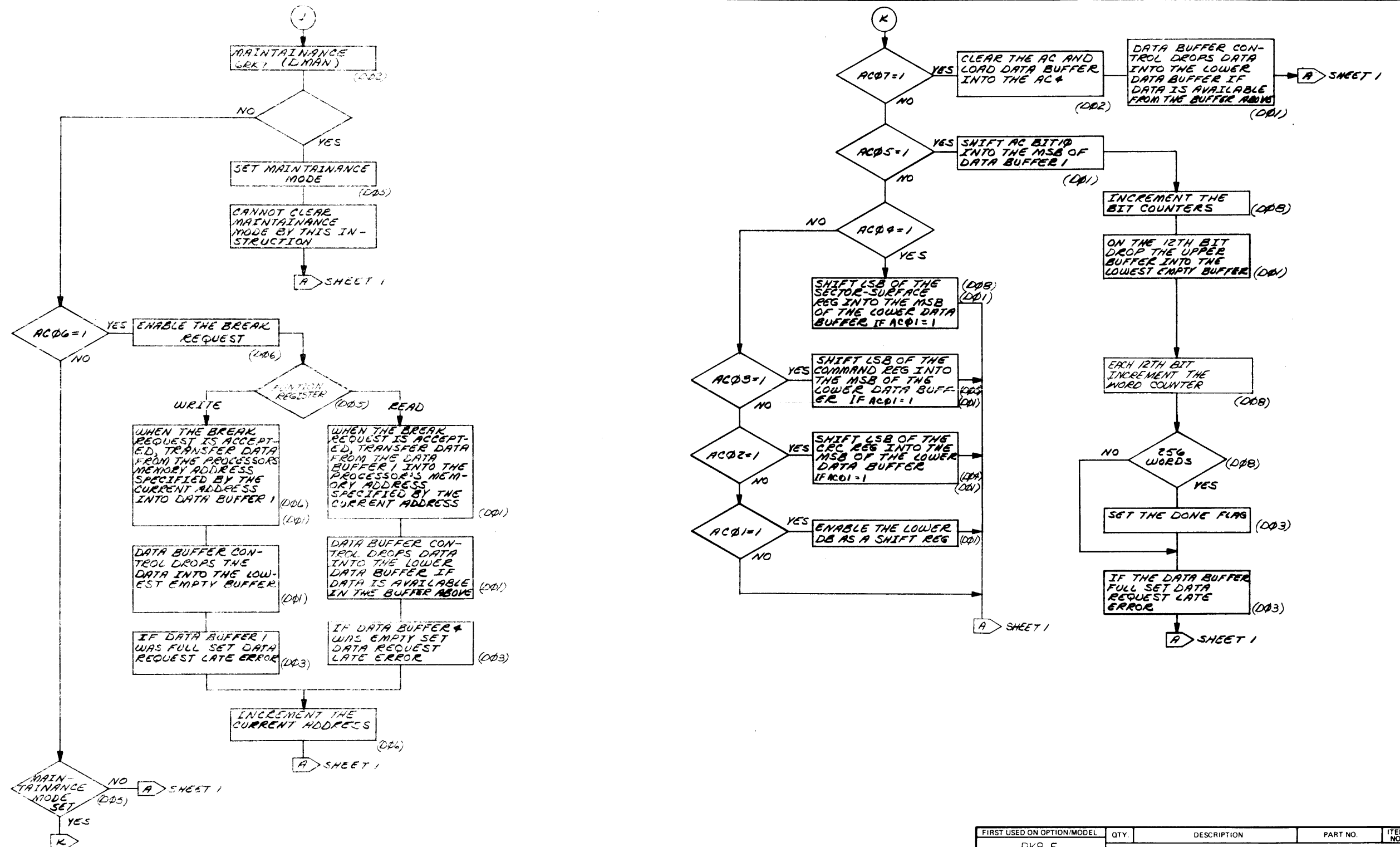
This drawing and specifications, herein, are the property of Digital Equipment Corporation and shall not be reproduced or copied or used in whole or in part as the basis for the manufacture or sale of items without written permission. COPYRIGHT © 1973 DIGITAL EQUIPMENT CORPORATION



REV	NO
CHK	NO
CHG	NO
REV	NO

FIRST USED ON OPTION/MODEL	QTY.	DESCRIPTION	PART NO.	ITEM NO.
RK8-F		PARTS LIST		
UNLESS OTHERWISE SPECIFIED DIMENSION IN INCHES TOLERANCES	DATE 4-4-73	digital EQUIPMENT CORPORATION MAYNARD MASSACHUSETTS		
DECIMALS .005	DATE 5/11/73	TITLE		
ANGLES ±0°30'	DATE 5/11/73	FLOW DIAGRAM (RK8-F)		
REMOVE BURRS AND BREAK SHARP CORNERS SURFACE QUALITY ✓	DATE 7/18/73	NEXT HIGHER ASSY.		
MATERIAL	PROD	B-DD-RK8-F	SIZE CODE	NUMBER
FINISH	SCALE	D	FD	RK8-F-1
	SHEET	3	OF	4

This drawing and specifications herein are the property of Digital Equipment Corporation and shall not be reproduced or copied or used in whole or in part as the basis for the manufacture or sale of things without written permission of Digital Equipment Corporation.



REV.	NO.	DATE
CHK	NO.	DATE
REV.	NO.	DATE
CHK	NO.	DATE

FIRST USED ON OPTION/MODEL	QTY.	DESCRIPTION	PART NO.	ITEM NO.
RK8-F				
PARTS LIST				
UNLESS OTHERWISE SPECIFIED DIMENSION IN INCHES	DRY	DATE	digital EQUIPMENT CORPORATION MAYNARD MASSACHUSETTS	
TOLERANCES	CHK	DATE	TITLE	
DECIMALS	ENG	DATE	FLOW DIAGRAM. (RK8-F)	
.XXX - .005	PROG. ENG	DATE		
.XX - .02	PROD	DATE		
X - .1		DATE		
REMOVE BURR AND BREAK SHARP CORNERS SURFACE QUALITY				
MATERIAL	NEXT HIGHER ASSY		SIZE CODE	NUMBER
++	B-DD-RK8-F		D	FD RK8-F-1
FINISH	SCALE			REV.
++	4 OF 4			*

PAGE REVISION CONTROL SHEET

SH NO.	PAGE REVISIONS										REMARKS	
	1	2	3	4	5	6	7	8	9	10		
1	*											
2	*											
3	*											
4	*											
5	*											
6	*											
7	*											
ECO NO.												
ETCH REV.												
ENG.												
DATE												

FIRST USED ON OPTION/MODEL  
RK8-F

DRN: *D. Sullivan* 4-1-73  
 CHKD: *[Signature]* 7/16/73  
 ENG: *[Signature]* 7/16/73  
 PROJ. ENG: *[Signature]* 7/16/73  
 PROD: *[Signature]* 7/16/73

**digital** EQUIPMENT CORPORATION  
 MAYNARD MASSACHUSETTS

TITLE  
 DATA BUFFER & STATUS

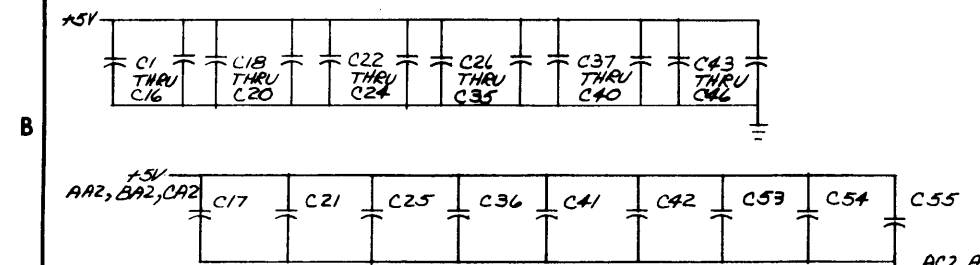
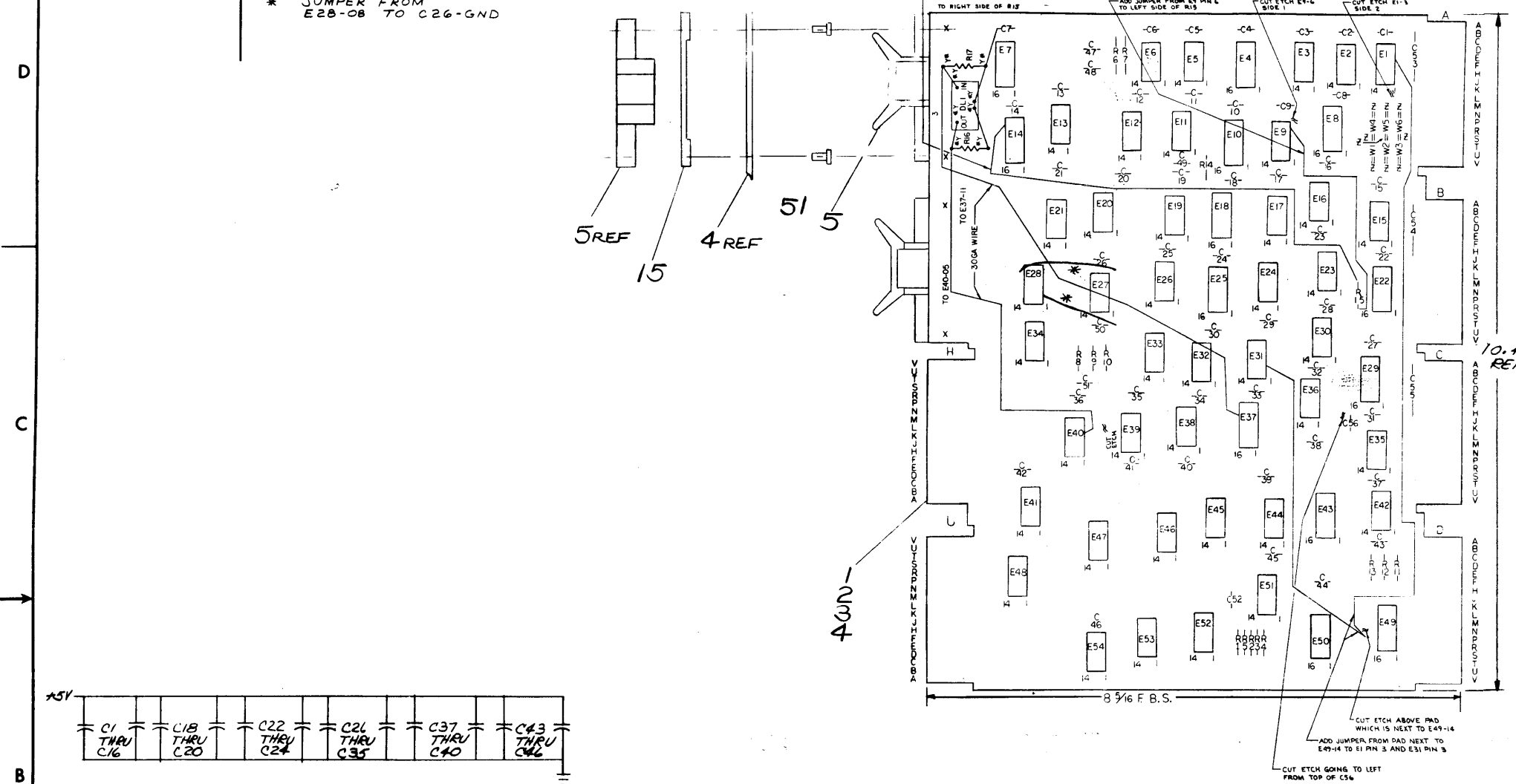
NEXT HIGHER ASSY.  
 D-UA-RK8-F-0  
 SCALE: 1/1  
 SHEET 1 OF 7

SIZE CODE NUMBER REV.  
 B CS M7104-YA -1 \*

"THIS DRAWING AND SPECIFICATIONS, HEREIN, ARE THE PROPERTY OF DIGITAL EQUIPMENT CORPORATION AND SHALL NOT BE REPRODUCED OR COPIED OR USED IN WHOLE OR IN PART AS THE BASIS FOR THE MANUFACTURE OR SALE OF ITEMS WITHOUT WRITTEN PERMISSION.  
 COPYRIGHT © 1973 DIGITAL EQUIPMENT CORPORATION"

This drawing and specifications, herein, are the property of Digital Equipment Corporation and shall not be reproduced or copied or used in whole or in part as the basis for the manufacture or sale of items without written permission. COPYRIGHT © 1975  
DIGITAL EQUIPMENT CORPORATION

**NOTES:**  
FOR M7104B-YA BOARD ONLY.  
\* ADD JUMPER FROM E28-03 TO C50-GND  
\* JUMPER FROM E28-08 TO C26-GND



AC2, AF1, AN1, AT1, AF2, AN2, AT2, BC1, BF1, BN1, BT1, BC2, BF2, BN2, BT2, CC1, CF1, CN1, CT1, CC2, CF2, CN2, CT2, DC1, DF1, DN1, DT1, DC2, DF2, DN2, DT2.

DEC 74123	8	16
DEC 74174	8	16
DEC 7496	5	12
DEC 74193	8	16
DEC 8235	8	16
DEC 314	1	8
DEC 8251B	8	16
DEC 384	1	8
DEC 380	1	8
DEC 7473	4	11
DEC 7476	5	13
IC TYPE	GND	+5V

GND AND 5V ARE USUALLY PIN 7 AND 14 RESPECTIVELY. EXCEPTIONS ARE STATED ABOVE.

**IC PIN LOCATIONS**

AR	DESCRIPTION	QTY	REF DESIGNATION	DESCRIPTION	PART NO.	ITEM NO.
8	28 AWG WIRE, SOLID, GREEN	9105740-55	82			
8	GRIPLETS	7210244-0	53			
1	DL1	DELAY LINE, 100NS D-10100	1609559	52		
4	EYELET		9006750	51		
9	SPLIT LUGS		9006735	80		
4	E4, E10, E18, E25	I.C. DEC 74174	1910652	49	2	
1	E7	I.C. DEC 74123	1910436	48	1	
1	E50	I.C. DEC 7496	1910363	47	REF	
3	E11, E40, E48	I.C. DEC 7408	1910155	46	REF	
1	E33	I.C. DEC 7437	1910091	45	REF	
3	W2, W4, W6	22 GA BUSS WIRE	9107560-01	44		

1	E43	I.C. DEC 74193	1910018	43
4	E8, E22, E29, E49	I.C. DEC 8235	1909885	42
1	E21	I.C. DEC 74H04	1909931	41
1	E36	I.C. DEC 8881	1909705	40
1	E1	I.C. DEC 314	1909704	39
4	E6, E23, E27, E31	I.C. DEC 7404	1909686	38
1	E38	I.C. DEC 74H74	1909667	37
1	E37	I.C. DEC 8251B	1909594	36
1	E30	I.C. DEC 384	1909486	35
4	E2, E15, E35, E42	I.C. DEC 380	1909485	34
2	E6, E26	I.C. DEC 74H53	1909062	33
1	E20	I.C. DEC 74H00	1909056	32
2	R16, R17	RES., 1K 1/4W, 5%	1300365	31
6	E3, E5, E9, E17, E24, E32	I.C. DEC 7495	1909055	30
6	E18, E19, E28, E34, E51, E53	I.C. DEC 7402	1909004	29
1	E12	I.C. DEC 7473	1905887	28
1	E14	I.C. DEC 7476	1905885	27
2	E4, E44	I.C. DEC 7440	1905579	26
1	E47	I.C. DEC 7410	1905576	25
3	E45, E46, E54	I.C. DEC 7400	1905575	24
2	E39, E52	I.C. DEC 7474	1905547	23
2	R6, E7	RES., 5.1K, 1/8W, 1%, MF	1304854	22
2	R2, R3	RES., 100, 1/4W, 5%, C.C.	1301822	21
2	R12, R13	RES., 4.7K, 1/4W, 5%, C.C.	1300847	20
1	R9	RES., 2.2K, 1/4W, 5%, C.C.	1300817	19
1	R11	RES., 1.8K, 1/4W, 5%, C.C.	1300398	18
2	R1, R4	RES., 390, 1/4W, 5%, C.C.	1300309	17
5	R5, R8, R10, R14, R15	RES., 100, 1/4W, 5%, C.C.	1300229	16
2		SPACER (CABLE CLAMP)	1202704	15
40	C1 THRU C16, C18 THRU C20, C22 THRU C24, C26 THRU C35, C37 THRU C40, C43 THRU C46	CAP., 0.1UF, 100V, 20%, DISC	1001610	4
3	C53 THRU C55	CAP., 6.8UF, 35V, 20%, TANT	1000067	13
2	C49, C56	CAP., 470PF, 100V, 5% DM	1000024	12
1	C51	CAP., 330PF, 100V, 5% DM	1000023	11
1	C52	CAP., 100PF, 100V, 5% DM	1000020	10
1	C50	CAP., 120PF, 100V, 5% DM	1000018	9
1	C47	CAP., 39PF, 100V, 5% DM	1000010	8
1	C48	CAP., 10PF, 100V, 5% DM	1000006	7
6	C17, C21, C25, C36, C41, C42	CAP., 0.2UF, 100V, 20%, DISC	1000004	6
5		HANDLE, FLTA-CHIP, MAGENTA	9008387-06	5
4		ETCHED CIRCUIT BOARD	5010064	4
3		MODULE ECO HISTORY	B-04-07104-B-3	3
2		ASSY/DRILLING HOLE LAYOUT	D-04-07104-B-5	2
1		X-Y COORDINATE HOLE LOCATION	K-00-07104-B-4	1

FIRST USED ON OPTION MODEL: RK8-F

ETCH BOARD REV: 8

ORIGINATED: [Signature]

REVISIONS: [Table]

DRN: [Signature] DATE: 4-11-75

CHK: [Signature] DATE: 4-11-75

ENG: [Signature] DATE: 4-11-75

PROJ. ENG: [Signature] DATE: 4-11-75

PDR: [Signature] DATE: 4-11-75

NEXT HIGHER ASSY: D-11A-RK8-F-0

SCALE: 100%

SHEET: 2 OF 2

DIST: [Signature]

digital EQUIPMENT CORPORATION  
MAYNARD, MASSACHUSETTS

TITLE: DATA BUFFER & STATUS

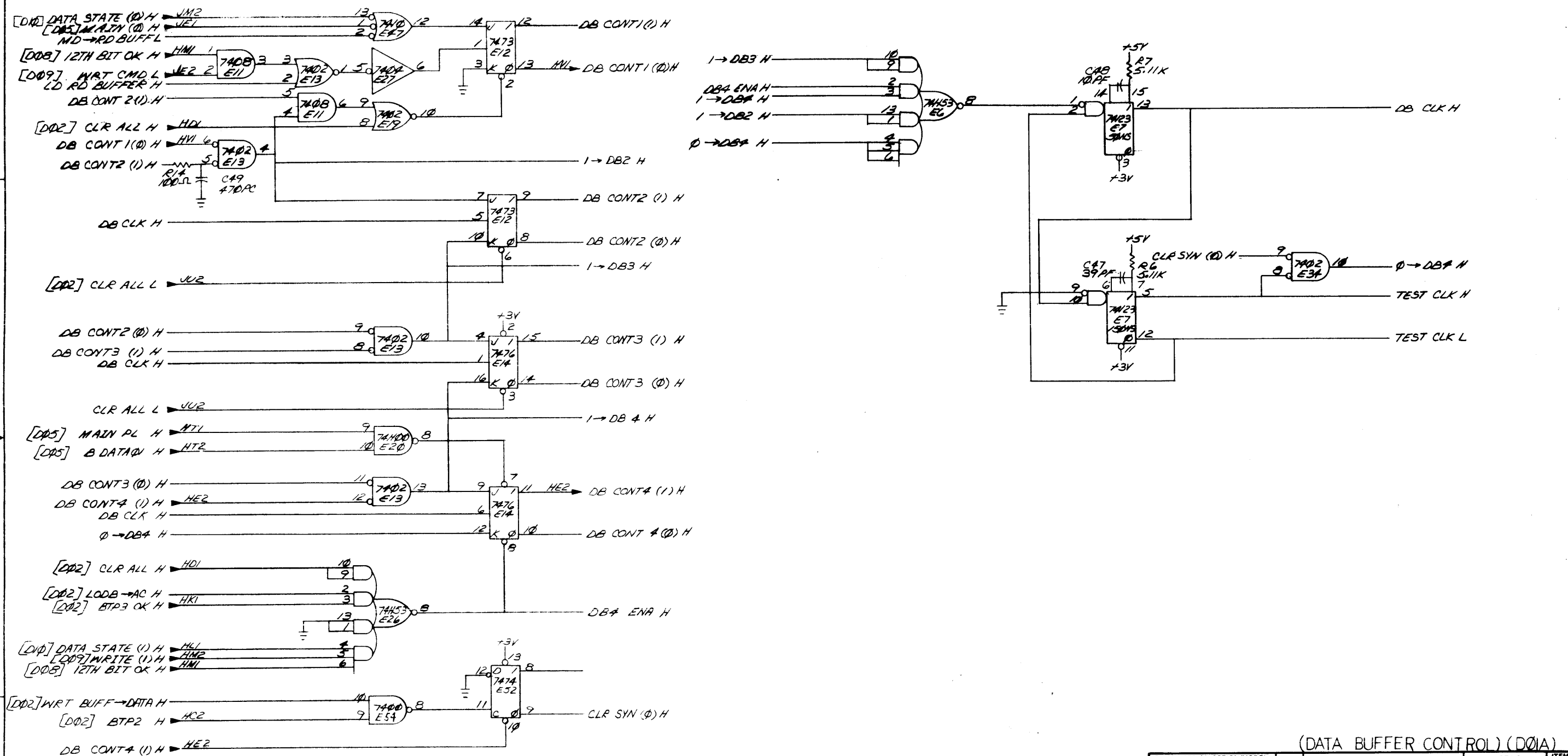
NUMBER: DCS M7104-YA-1

REV: \*

SEMICONDUCTOR CONVERSION CHART

DEC FORM NO. DRD-135A

This drawing and specifications, herein, are the property of Digital Equipment Corporation and shall not be reproduced or copied or used in whole or in part as the basis for the manufacture or sale of items without written permission. COPYRIGHT © 1973  
DIGITAL EQUIPMENT CORPORATION



(DATA BUFFER CONTROL) (D01A)

BRUNING 40-522 (5640)  
DEC FORM NO  
DRD 102-B

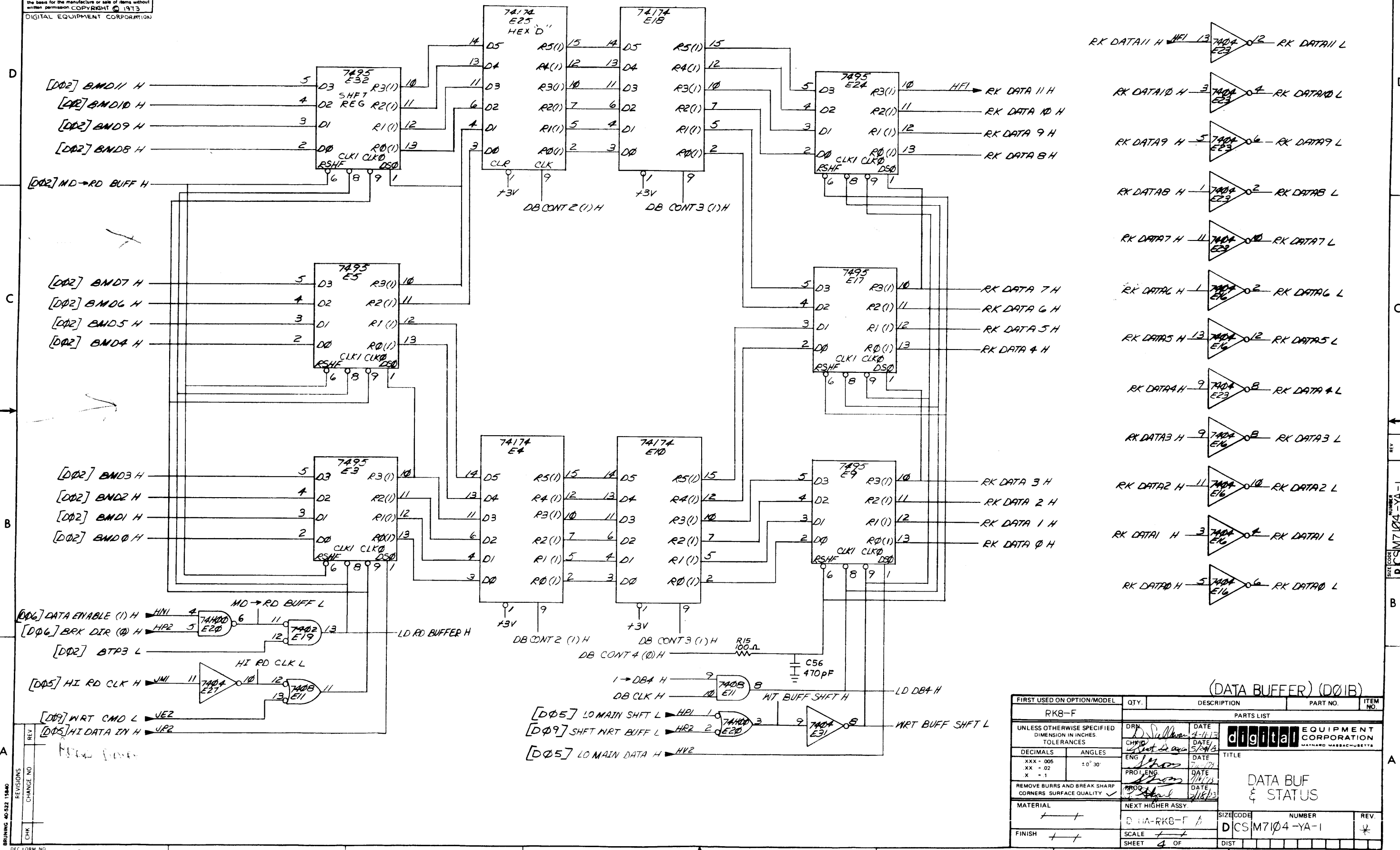
REV	CHANGE NO

FIRST USED ON OPTION/MODEL	QTY.	DESCRIPTION	PART NO.	ITEM NO.
RK8-F				
UNLESS OTHERWISE SPECIFIED DIMENSION IN INCHES TOLERANCES				
DECIMALS	ANGLES	PARTS LIST		
XXX - .005	± 0° 30'	DRM	DATE	 <b>digital</b> EQUIPMENT CORPORATION MAYNARD, MASSACHUSETTS
XX - .02		CHK'D	DATE	
X - .1		ENG	DATE	
REMOVE BURRS AND BREAK SHARP CORNERS SURFACE QUALITY		PRD. ENG.	DATE	
		PROD.	DATE	
MATERIAL	NEXT HIGHER ASSY.	TITLE		
FINISH		DATA BUF & STATUS		
		F-11A-RK8-F 0	SIZE CODE	NUMBER
		SCALE	DCS	M7104-YA-1
		SHEET 3 OF	DIST	REV. *

REV. M7104-YA-1



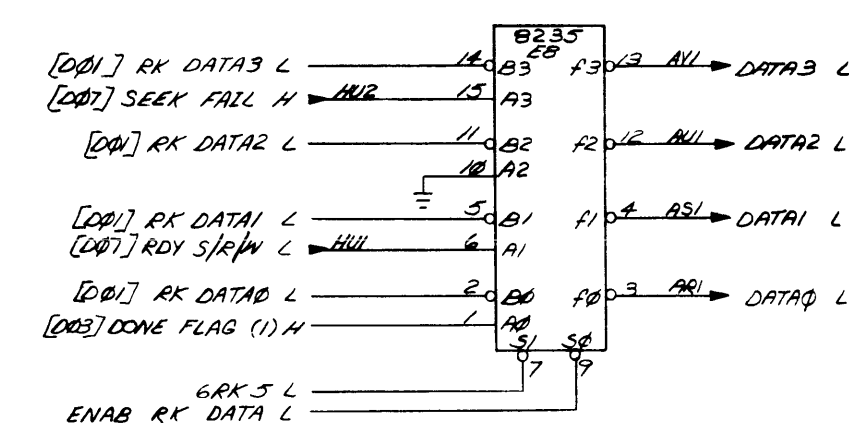
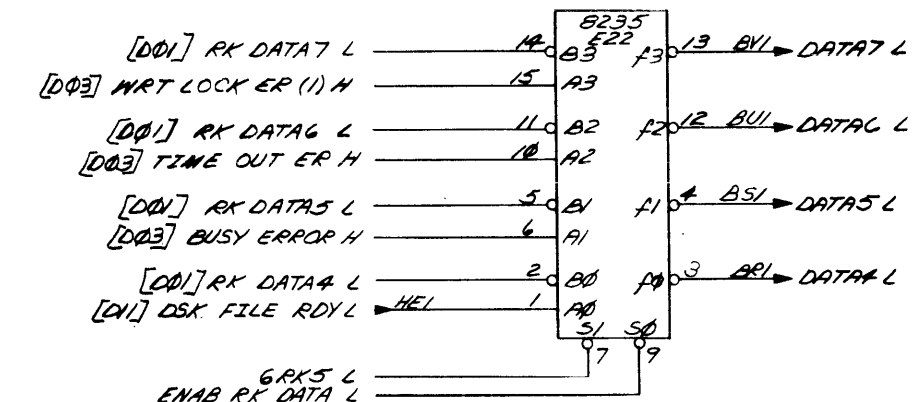
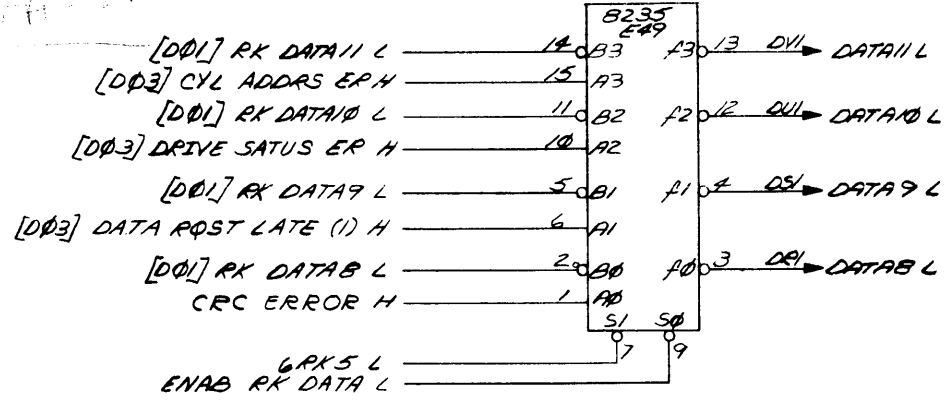
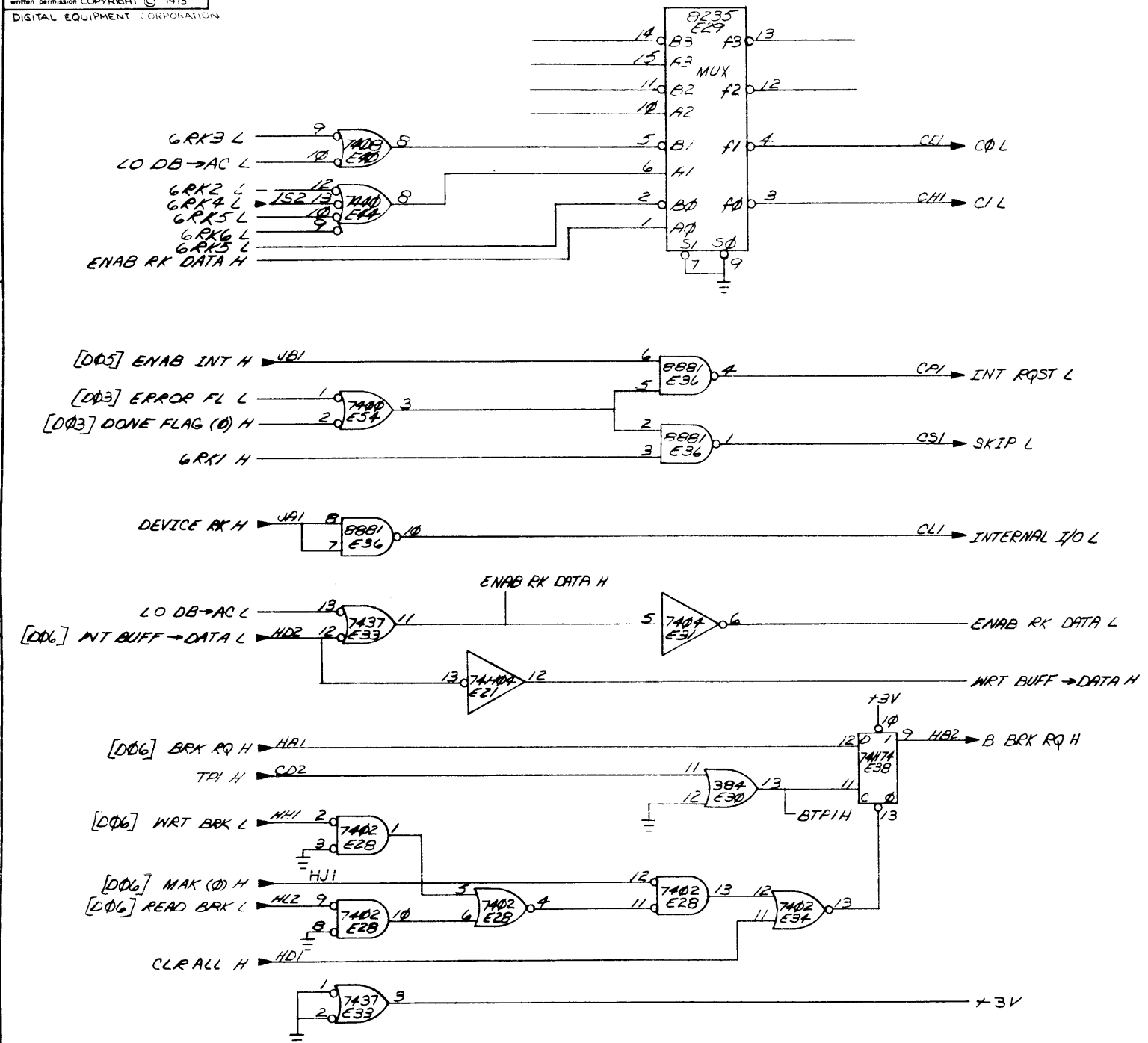
This drawing and specifications, herein, are the property of Digital Equipment Corporation and shall not be reproduced or copied or used in whole or in part as the basis for the manufacture or sale of items without written permission. COPYRIGHT © 1973 DIGITAL EQUIPMENT CORPORATION



FIRST USED ON OPTION/MODEL	QTY.	DESCRIPTION	PART NO.	ITEM NO.
RK8-F				
PARTS LIST				
UNLESS OTHERWISE SPECIFIED DIMENSION IN INCHES TOLERANCES		DRN	DATE	DIGITAL EQUIPMENT CORPORATION MILFORD MASSACHUSETTS
DECIMALS ANGLES		CHKD	DATE	
XXX - 005 ±0°30'		ENG	DATE	
REMOVE BURRS AND BREAK SHARP CORNERS SURFACE QUALITY		PROT. ENG.	DATE	TITLE DATA BUF & STATUS
MATERIAL		MOD.	DATE	
FINISH		NEXT HIGHER ASSY.		SIZE CODE
		D 11A-RK8-F		NUMBER
		SCALE		REV.
		SHEET 4 OF		*
		DIST		

BRUNING 40-522 15840  
 DEC FORM NO 1700 102-B

This drawing and specifications herein are the property of Digital Equipment Corporation and shall not be reproduced or copied or used in whole or in part as the basis for the manufacture or sale of items without written permission. COPYRIGHT © 1973  
DIGITAL EQUIPMENT CORPORATION



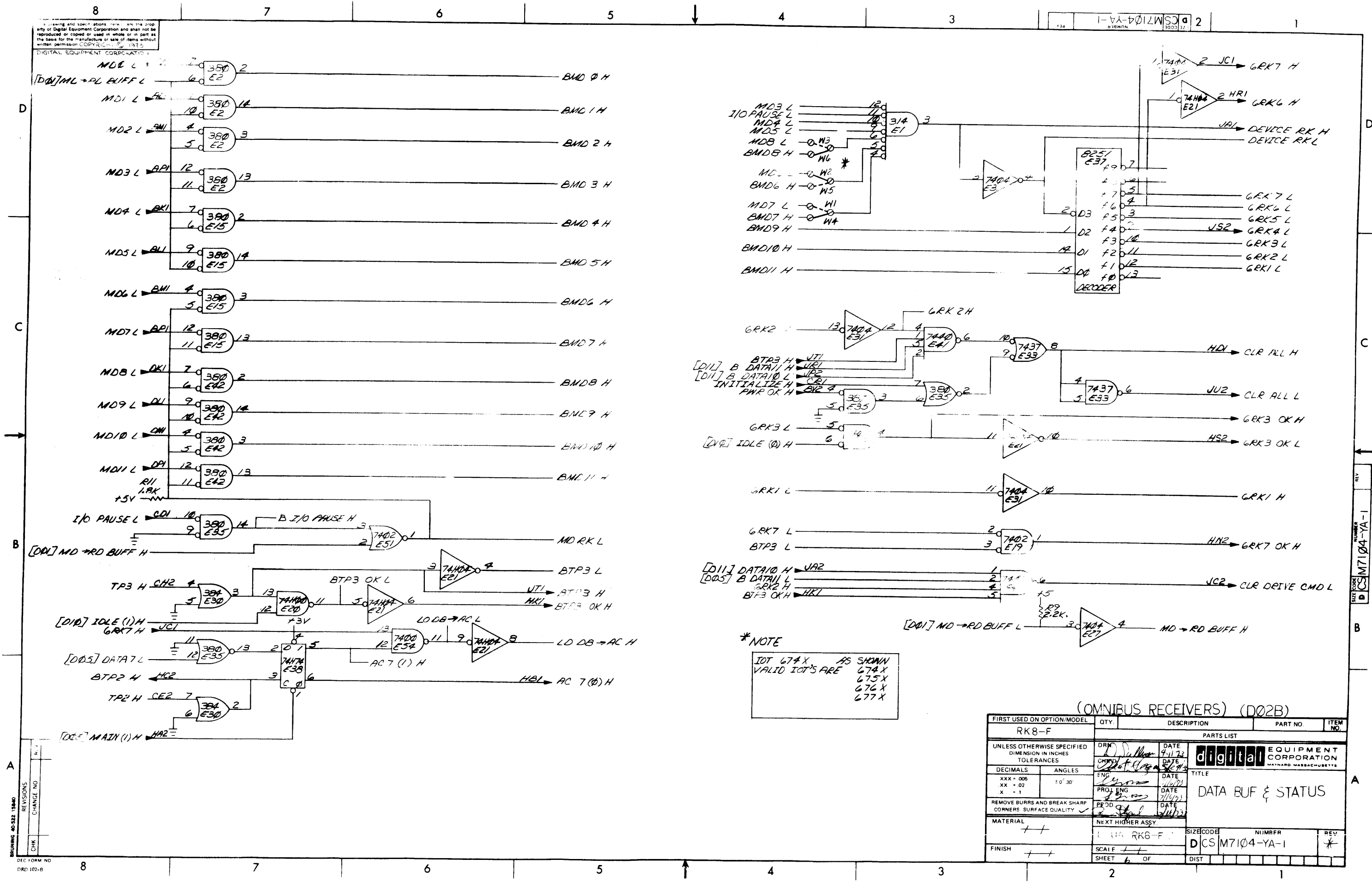
(OMNIBUS DRIVERS) (D02A)

FIRST USED ON OPTION/MODEL	QTY.	DESCRIPTION	PART NO.	ITEM NO.
RK8-F				
PARTS LIST				
UNLESS OTHERWISE SPECIFIED DIMENSION IN INCHES TOLERANCES	DRY	DATE 4-11-73	<b>digital</b> EQUIPMENT CORPORATION MAYNARD MASSACHUSETTS	
DECIMALS .005 ANGLES ±0° 30'	CHK'd	DATE 5/24/73		
REMOVE BURRS AND BREAK SHARP CORNERS SURFACE QUALITY	ENG	DATE 7/14/73	TITLE DATA BUF & STATUS	
	PROJ. ENG.	DATE 7/17/73		
MATERIAL	NEXT HIGHER ASSY.	DATE 7/18/73		
FINISH	D-11A-RK8-F-0	SCALE 1:1	SIZE CODE D CS M7104-YA-1	NUMBER 1
	SHEET 5 OF	DIST		REV. *

BRUNING 40-322 15840  
DEC 10RM NO  
DNU 102-B

REV. NUMBER  
D CS M7104-YA-1

Drawing and specifications are the property of Digital Equipment Corporation and shall not be reproduced or copied in whole or in part as the basis for the manufacture or sale of items without written permission. COPYRIGHT © 1975



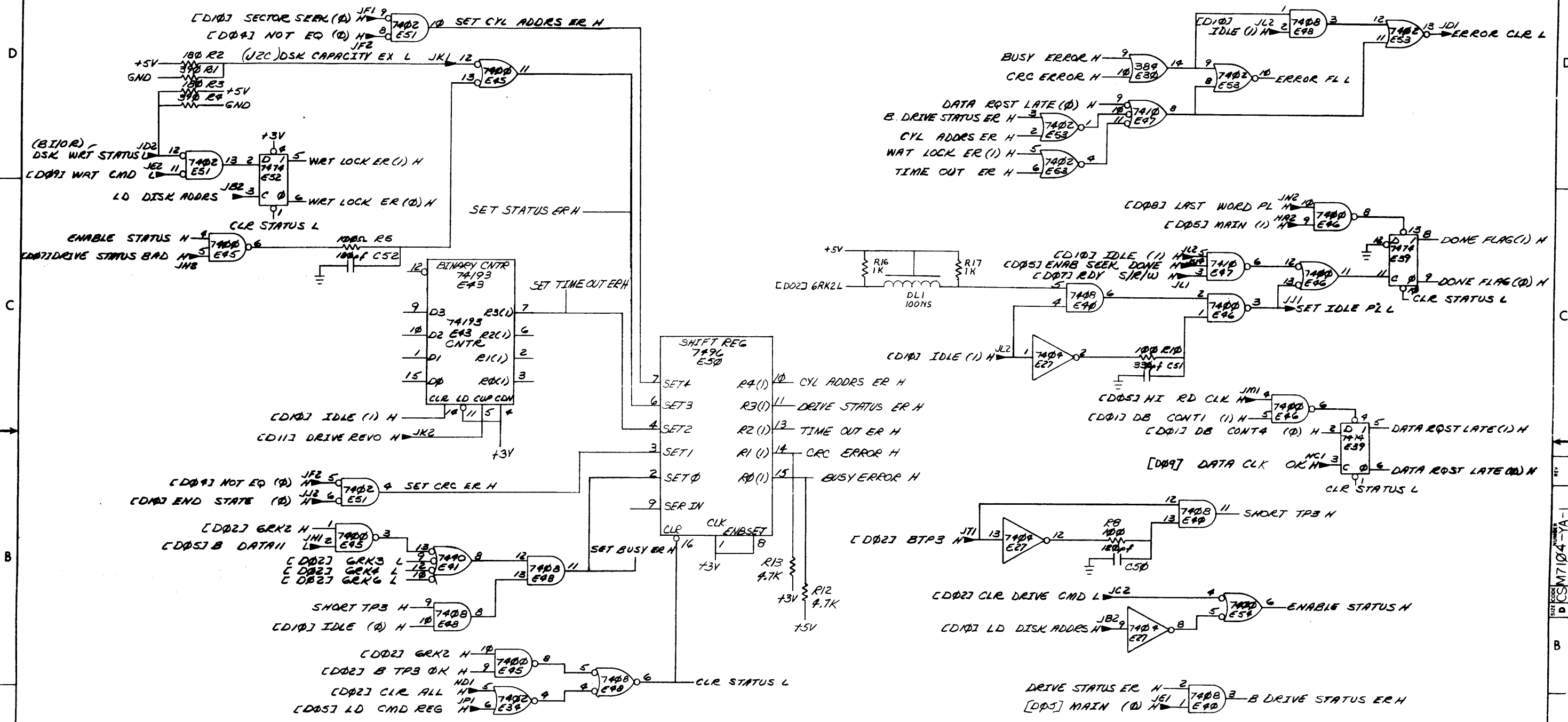
\* NOTE  
 IOT 674X AS SHOWN  
 VALID IOT'S ARE 674X  
 675X  
 676X  
 677X

(OMNIBUS RECEIVERS) (D02B)

FIRST USED ON OPTION/MODEL	QTY.	DESCRIPTION	PART NO.	ITEM NO.
RK8-F				
PARTS LIST				
UNLESS OTHERWISE SPECIFIED DIMENSION IN INCHES TOLERANCES	DRM	DATE	 digital EQUIPMENT CORPORATION MAYNARD, MASSACHUSETTS	
DECIMALS	ENG	DATE		
ANGLES	PROJ. ENG	DATE	TITLE DATA BUF & STATUS	
XXX - .006 XX - .02 X - .1	PRD.	DATE		
REMOVE BURRS AND BREAK SHARP CORNERS SURFACE QUALITY				
MATERIAL	NEXT HIGHER ASSY.			
FINISH	SCALE		SIZE CODE	NUMBR
	SHEET 6 OF		DIGITAL CS M7104-YA-1	REV *

REVISIONS  
 CHANGE NO. 1  
 CHK

This drawing and specifications, herein, are the property of Digital Equipment Corporation and shall not be reproduced or copied or used in whole or in part as the basis for the manufacture or sale of items without written permission. COPYRIGHT © 1973 DIGITAL EQUIPMENT CORPORATION



(STATUS REGISTER ERROR DETECT) (D03)

FIRST USED ON OPTION/MODEL	QTY	DESCRIPTION	PART NO.	ITEM NO.
RK8-F				
UNLESS OTHERWISE SPECIFIED				
DIMENSION IN INCHES	DATE	PARTS LIST		
TOLERANCES	7-11-73	digital EQUIPMENT CORPORATION		
DECIMALS	DATE	MAYNARD MASSACHUSETTS		
ANGLES	DATE	TITLE		
XX - 02	DATE	DATA BUF & STATUS		
X = 1	DATE			
REMOVE BURRS AND BREAK SHARP CORNERS SURFACE QUALITY				
MATERIAL	DATE	NEXT HIGHER ASSY		
	DATE	D-UA-RK8-F-0		
FINISH	DATE	SIZE CODE	NUMBER	REV
	DATE	DCS M7104-YA-1		*
SHEET 1 OF		DIST.		

REV	CHANGE NO	REVISIONS

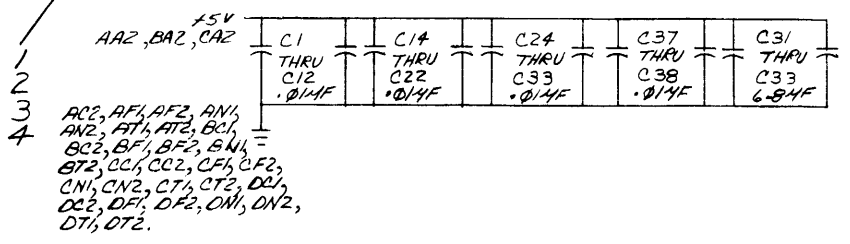
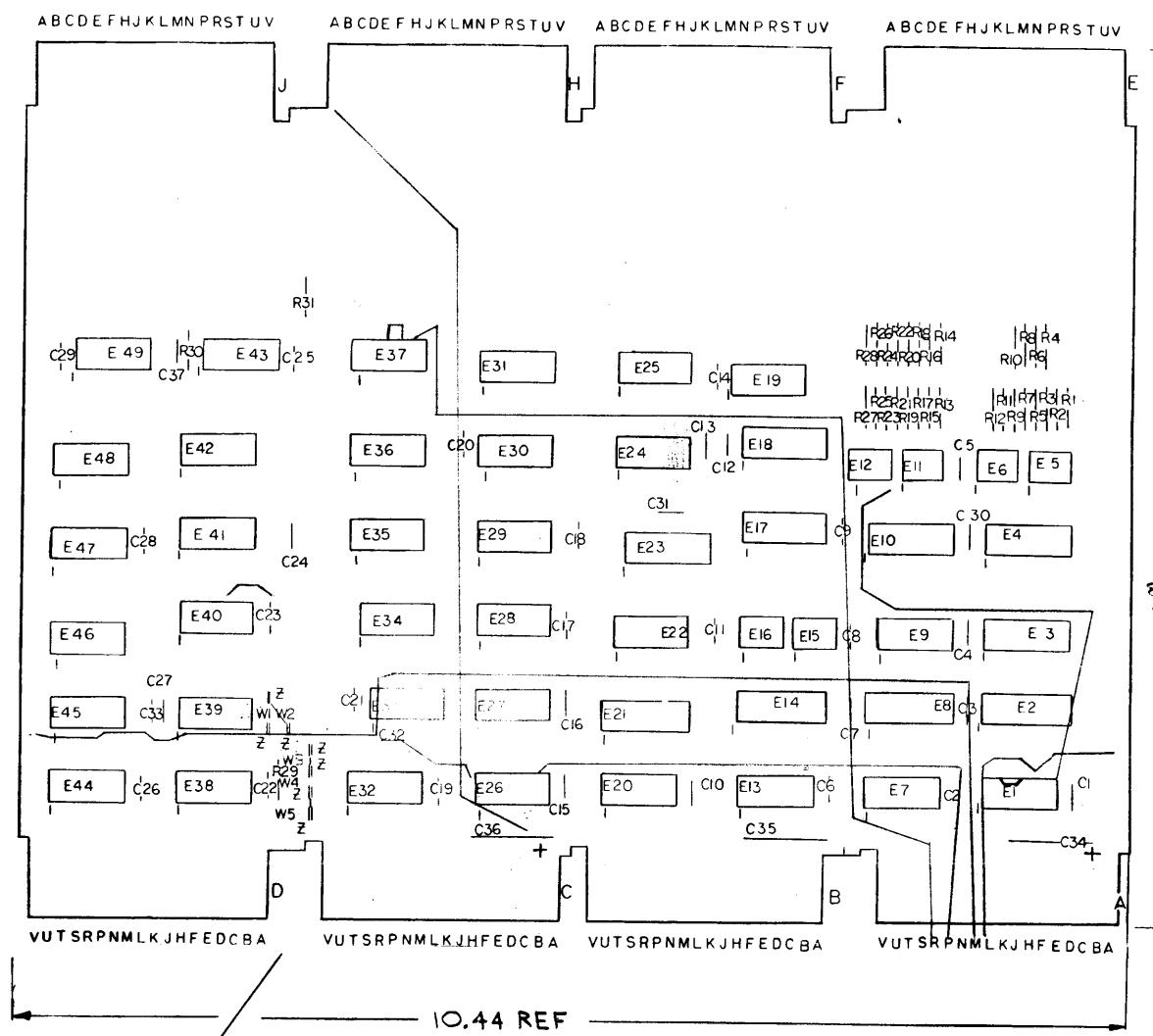
REV. 102-B



This drawing and specifications herein are the property of Digital Equipment Corporation and shall not be reproduced or copied in whole or in part as the basis for the manufacture or sale of items without written permission. COPYRIGHT © 1973  
DIGITAL EQUIPMENT CORPORATION

**NOTES:**

- D** MODIFICATION OF M7105 TO M7105-YB  
SUMMARY OF ETCH CUTS
- |                         |                        |
|-------------------------|------------------------|
| <b>SIDE 1</b>           | <b>SIDE 2</b>          |
| E39-9 TO PTH            | E37-11 TO PTH          |
| E44-11 TO E45-5         | E45-6 TO PTH           |
| E1-6 & E1-8 TO ETCH RUN | E45-5 TO PTH           |
| E1-3 TO PTH             | E39-8 TO PTH           |
|                         | E38-8 PTH TO PTH E26-9 |
|                         | E26-8 TO E26-9         |
|                         | E1-8 TO E1-11          |
|                         | E37-9 TO PTH           |
- DRILL 4 HOLES AT FINGERS AL1, AM1, AP1, AR1  
USE 1/32" DRILL - #58
- ADD WIRES:
- PTH NEAR E45-1 TO PTH NEAR E3314
  - FINGER AM2
  - E37-11 TO E37-11
  - E40-9 PTH TO PTH NEXT TO IT
  - E26-9 PTH (ABOVE G.B.M.F. CAP) TO PTH FROM FINGER AS2.
  - PTH NEAR E26-9 TO .01CAP FROM E33-4
  - E26-8 TO FINGER AP2.
  - E1-8 TO E1-11 PTH
  - E1-11 TO E1-12 PTH
  - ETCH RUN
  - FINGER AL2 TO LEFT PTH NEAR E1-14
  - E37-9 TO FINGER AR2



QTY	REF DESIGNATION	DESCRIPTION	PART NO.	ITEM NO.
3	W2, W3, W5	HAND INSTALLED JUMPERS	9107560-01	35
7		SPLIT LUG	9006735	34
1	E46	I.C. DEC 7440	1905579	33
1	E10	I.C. DEC 74155	1910656	32
1	E23	I.C. DEC 74174	1910652	31
3	E8, E18, E21	I.C. DEC 74161	1910650	30
4	E5, E6, E15, E16	I.C. DEC 75452	1910645	29
2	E11, E12	I.C. DEC 75451	1910906	28
2	E9, E14	I.C. DEC 7496	1910363	27
3	E25, E30, E41	I.C. DEC 7408	1910155	26
1	E24	I.C. DEC 7486	1910011	25
6	E1, E7, E20, E26, E38, E44	I.C. DEC 8881	1909705	24
2	E39, E45	I.C. DEC 74474	1909667	23
3	E3, E33, E17	I.C. DEC 8271	1909615	22
2	E42, E43	I.C. DEC 7404	1909686	21
1	E27	I.C. DEC 384	1909486	20
3	E13, E22, E32	I.C. DEC 380	1909485	19
1	E38	I.C. DEC 74411	1909267	18
1	E9	I.C. DEC 74452	1909061	17
1	E37	I.C. DEC 74410	1909057	16
2	E28, E47	I.C. DEC 7402	1909004	15
6	E19, E29, E31, E36, E40, E49	I.C. DEC 7400	1905575	14
3	E34, E35, E48	I.C. DEC 7474	1905547	13
19	R2, R5, R6, R9, R10, R12, R15, R16, R17, R20, R23, R24, R27, R28	RESISTOR 100, 1/4W, 5%	1301322	12
1	R29	RESISTOR, 1K, 1/4W, 5%	1300365	11
14	R1, R3, R4, R7, R8, R11, R13, R14, E13, R18, R21, R22, R25, R26	RESISTOR, 390, 1/4W, 5%	1300309	10
2	R30	RESISTOR, 100, 1/4W, 5%	1300229	9
32	C1 THRU C33	CAP, .01UF, 100V, 20% DISC	1001610	8
3	C34 THRU C36	CAP, 6.8UF, 35V, 20% STANT	1000067	7
1	R31	RES. 10, 1/4W, 5%	1301317	6
1	C37	CAP, 470PF, 100V, 5%, D.M.	1000024	5
1		ETCHED CIRCUIT BOARD	5010065	4
REF		MODULE ECO HISTORY	B-MH-M7105-YB-6	3
REF		ASSY DRILLING HOLE LAYOUT	D-AH-M7105-YB-5	2
REF		X-Y COORDINATE HOLE LOCATION	KCO-M7105-YB-4	1

DEC NO.	REV.	DATE	BY
DEC 74155	8	16	
DEC 74174	8	16	
DEC 74174	8	16	
DEC 74161	8	16	
DEC 75452	4	8	
DEC 75451	4	8	
DEC 8271	8	16	
DEC 384	1	8	
DEC 380	1	8	
IC TYPE	GND	+5V	

GND AND 5V ARE USUALLY PIN 7 AND 14 RESPECTIVELY. EXCEPTIONS ARE STATED ABOVE.

**IC PIN LOCATIONS**

FIRST USED ON OPTION MODEL: RK8-F

ETCH BOARD REV: B

ORIGINATED	CHANGE NO.	REV.	DATE	BY
			4-4-73	D. Sullivan
CHK			6-24-73	
			7-17-73	
			7-11-73	
			11-16-73	

digital EQUIPMENT CORPORATION  
WAYNARD, MASSACHUSETTS

MAJOR REGISTERS

D-UA-RK8-F-0

SCALE: NONE

SHEET 2 OF 2

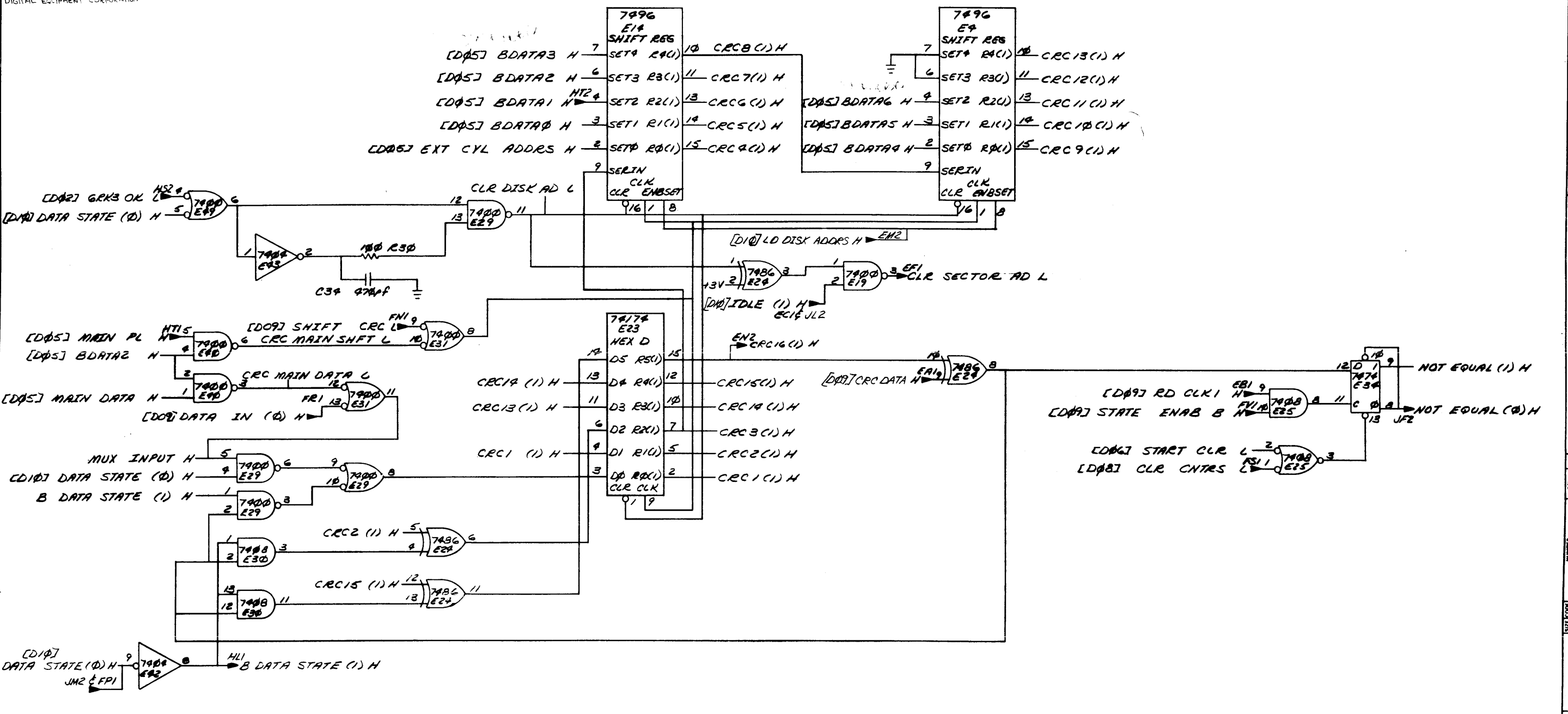
DEC. NO. EIA NO. DEC. NO. EIA NO.

SEMICONDUCTOR CONVERSION CHART

SIZE CODE: DCS M7105-YB-1

REV. B

This drawing and specifications, herein, are the property of Digital Equipment Corporation and shall not be reproduced or copied or used in whole or in part as the basis for the manufacture or sale of items without written permission. COPYRIGHT © 1973  
DIGITAL EQUIPMENT CORPORATION

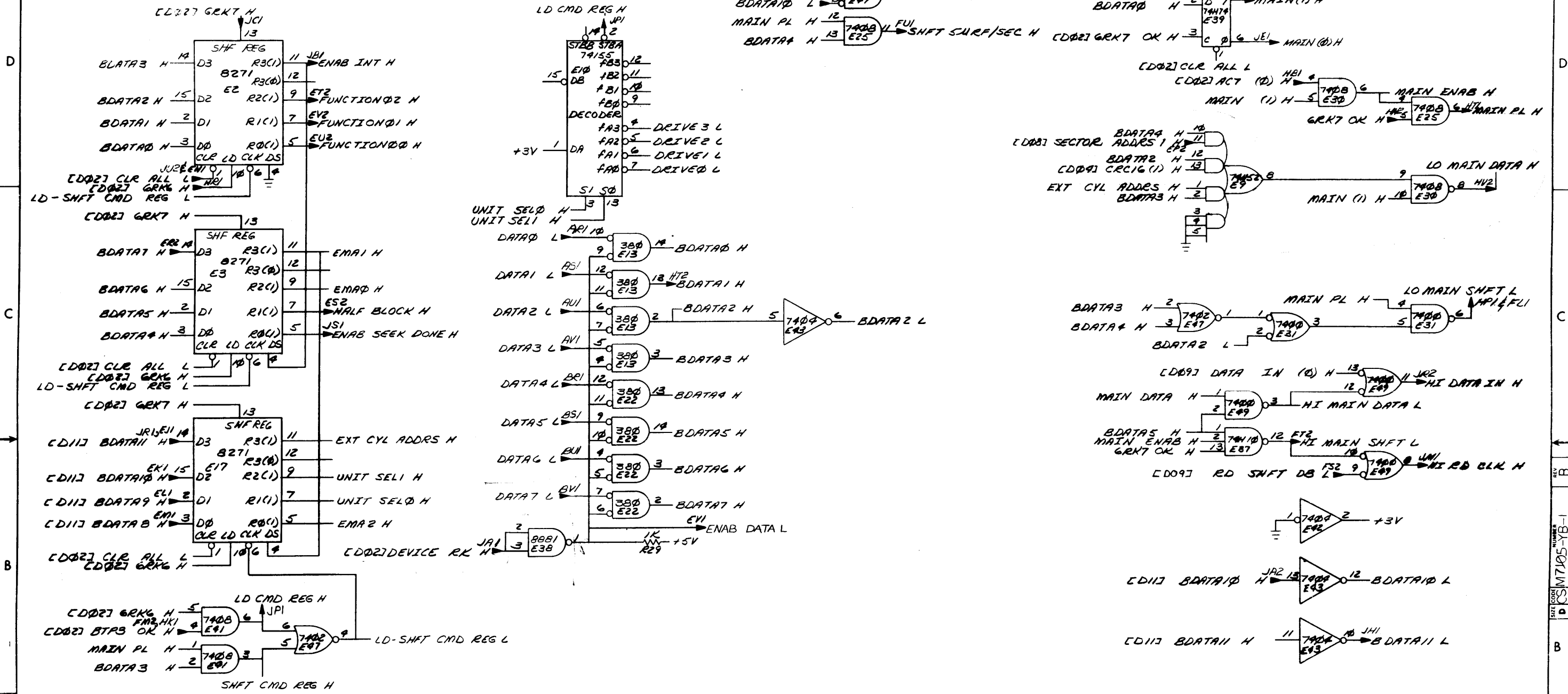


(CRC/DISK ADDRESS REG) (D04)

FIRST USED ON OPTION/MODEL	QTY.	DESCRIPTION	PART NO.	ITEM NO.	
RK8-F					
PARTS LIST					
UNLESS OTHERWISE SPECIFIED DIMENSION IN INCHES.	DRM	DATE 4.4.73	 <b>digital</b> EQUIPMENT CORPORATION MAYNARD MASSACHUSETTS		
TOLERANCES	DATE 5/21/73	TITLE <b>MAJOR REGISTERS</b>			
DECIMALS ANGLES	DATE 9/16/73				
.XXX - .006 ±0°30'	DATE 11/1/73				
.XX - .02	DATE 11/1/73				
.X - .1	DATE 7/1/73				
REMOVE BURRS AND BREAK SHARP CORNERS SURFACE QUALITY ✓	DATE 7/1/73				
MATERIAL	NEXT HIGHER ASSY.		SIZE CODE	NUMBER	
FINISH	D-UA-RK8-F-0		DCSM7105-YB-1	REV B	
SCALE	SHEET 3 OF		DIST.		

REVISIONS  
NO. CHANGE NO. REV.  
CHK. DATE

This drawing and specifications, herein, are the property of Digital Equipment Corporation and shall not be reproduced or copied or used in whole or in part as the basis for the manufacture or sale of items without written permission. COPYRIGHT © 1973 DIGITAL EQUIPMENT CORPORATION



(COMMAND REG. MAINT. LOGIC) (D05)

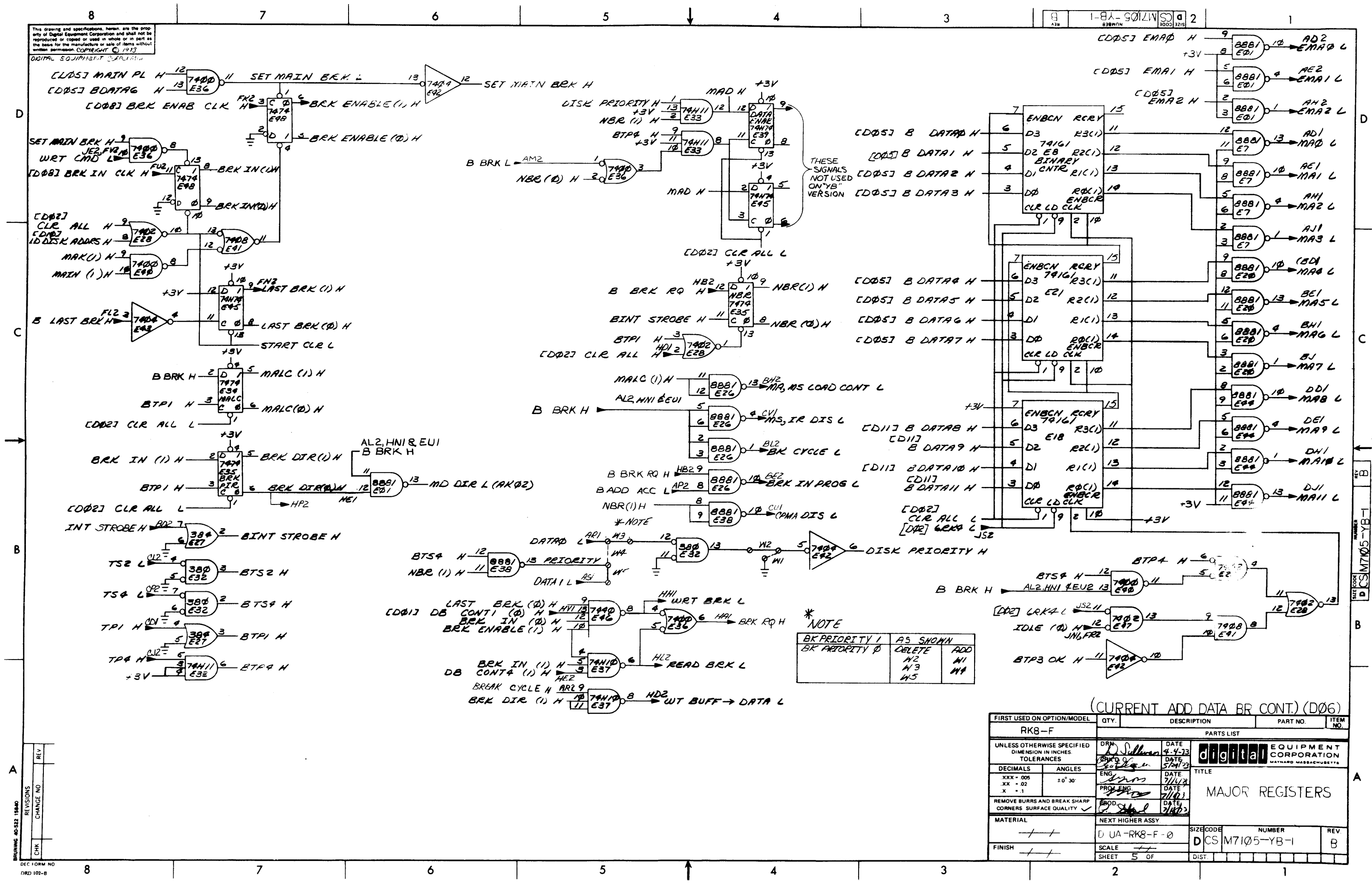
FIRST USED ON OPTION/MODEL	QTY.	DESCRIPTION	PART NO.	ITEM NO.
RK8-F				
PARTS LIST				
UNLESS OTHERWISE SPECIFIED DIMENSION IN INCHES TOLERANCES	DRN DATE 4-4-73	DATE 5-24-73	digital EQUIPMENT CORPORATION NATAND MASSACHUSETTS	
DECIMALS .005 XX - 02 X - .1	ANGLES 0° 30'	DATE 7/4/71	TITLE MAJOR REGISTER	
REMOVE BURRS AND BREAK SHARP CORNERS SURFACE QUALITY	ENG DATE 7/4/71	DATE 7/4/71	MATERIAL NEXT HIGHER ASSY	
MATERIAL	SCALE	SIZE CODE	NUMBER	REV
	SHEET 4 OF	D-A-RK8-F 0	CS M7105-YB-1	B

BRUNING 40-522 15840  
DEC FORM NO. DRD 102-B

REV B  
CS M7105-YB-1



This drawing and specifications herein are the property of Digital Equipment Corporation and shall not be reproduced or copied or used in whole or in part as the basis for the manufacture or sale of items without written permission. COPYRIGHT © 1973  
DIGITAL EQUIPMENT CORPORATION



\* NOTE

BK PRIORITY 1	AS SHOWN	ADD
BK PRIORITY 0	DELETE	W1
	W2	W3
	W3	W4
	W4	W5

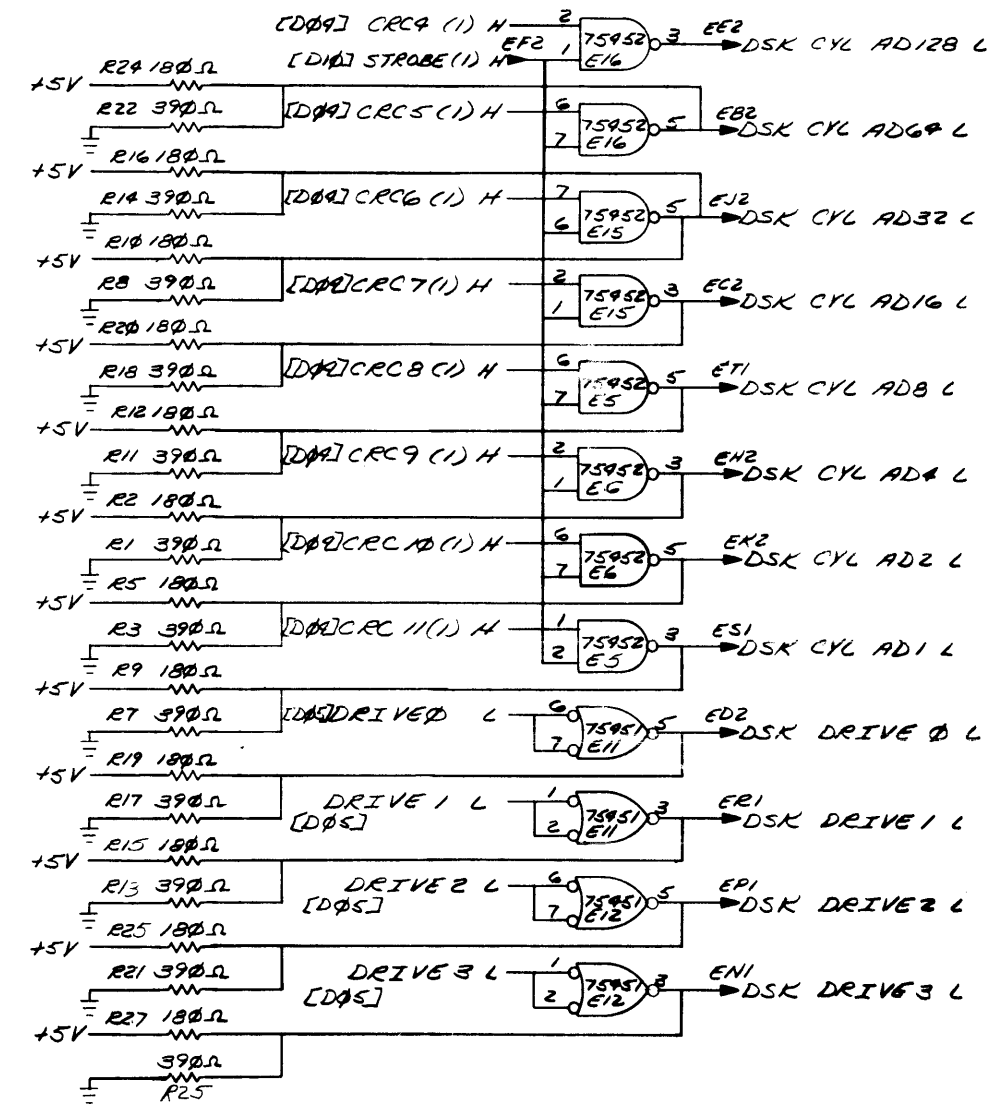
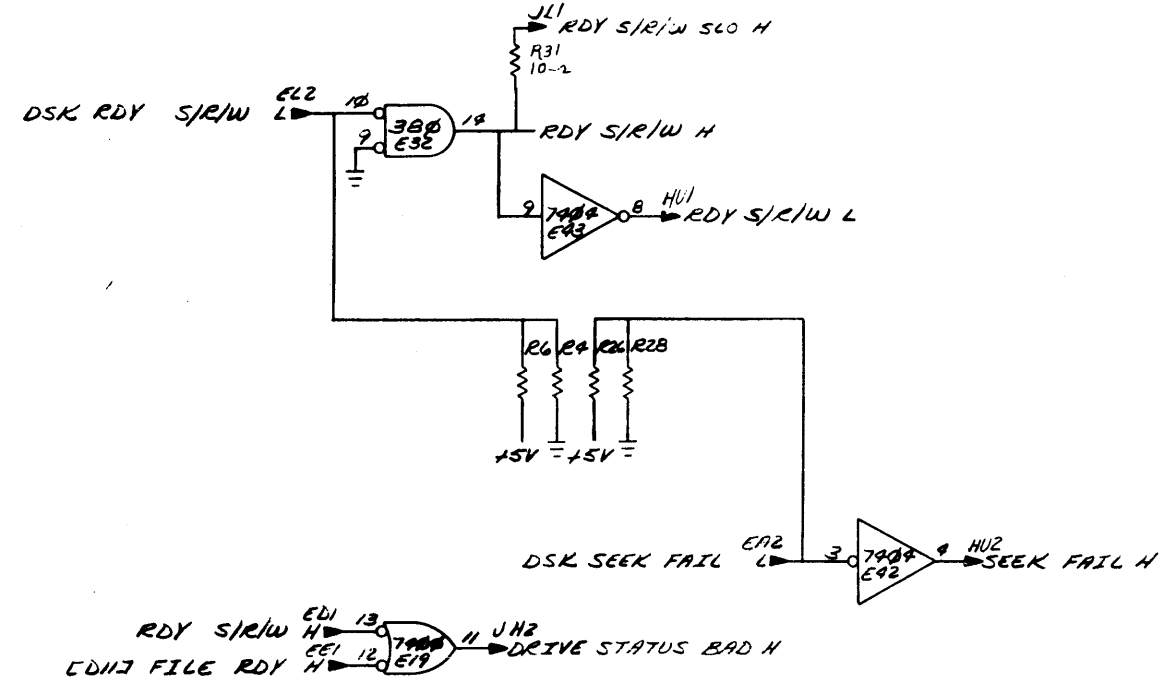
(CURRENT ADD DATA BR CONT.) (D06)

FIRST USED ON OPTION/MODEL	QTY.	DESCRIPTION	PART NO.	ITEM NO.
RK8-F				
PARTS LIST				
UNLESS OTHERWISE SPECIFIED DIMENSION IN INCHES.	DRN	DATE	digital EQUIPMENT CORPORATION MAYNARD MASSACHUSETTS	
TOLERANCES	D. Sullivan	4-4-73		
DECIMALS	ENG	DATE	TITLE	
ANGLES	PROJ ENG	7/11/73		
XXX - .005 .XX - .02 X - .1	REMOVE BURRS AND BREAK SHARP CORNERS SURFACE QUALITY	DATE	MAJOR REGISTERS	
		7/11/73		
MATERIAL	NEXT HIGHER ASSY	DATE	SIZE CODE NUMBER REV.	
		7/11/73		
FINISH	D UA-RK8-F-0	SCALE	D CS M7105-YB-1 B	
	SHEET 5 OF	DIST		

BRUNING 40-522 15840  
DEC FORM NO DRD 102-B

REV	CHANGE NO

This drawing and specifications herein are the property of Digital Equipment Corporation and shall not be reproduced or copied or used in whole or in part as the basis for the manufacture or sale of items without written permission. COPYRIGHT © 1973 DIGITAL EQUIPMENT CORPORATION



(DRIVE SIGNALS CABLE J1) (D07)

FIRST USED ON OPTION/MODEL	QTY.	DESCRIPTION	PART NO.	ITEM NO.
RK8-F				
UNLESS OTHERWISE SPECIFIED DIMENSION IN INCHES TOLERANCES				
DECIMALS	ANGLES	DATE	PARTS LIST	
xxx = .005	xx = .02	x = .1	DATE	DATE
REMOVE BURRS AND BREAK SHARP CORNERS SURFACE QUALITY		PROD	DATE	TITLE
MATERIAL		NEXT HIGHER ASSY.		MAJOR REGISTERS
FINISH		SCALE	SHEET	REV
		6 OF	DIST.	B

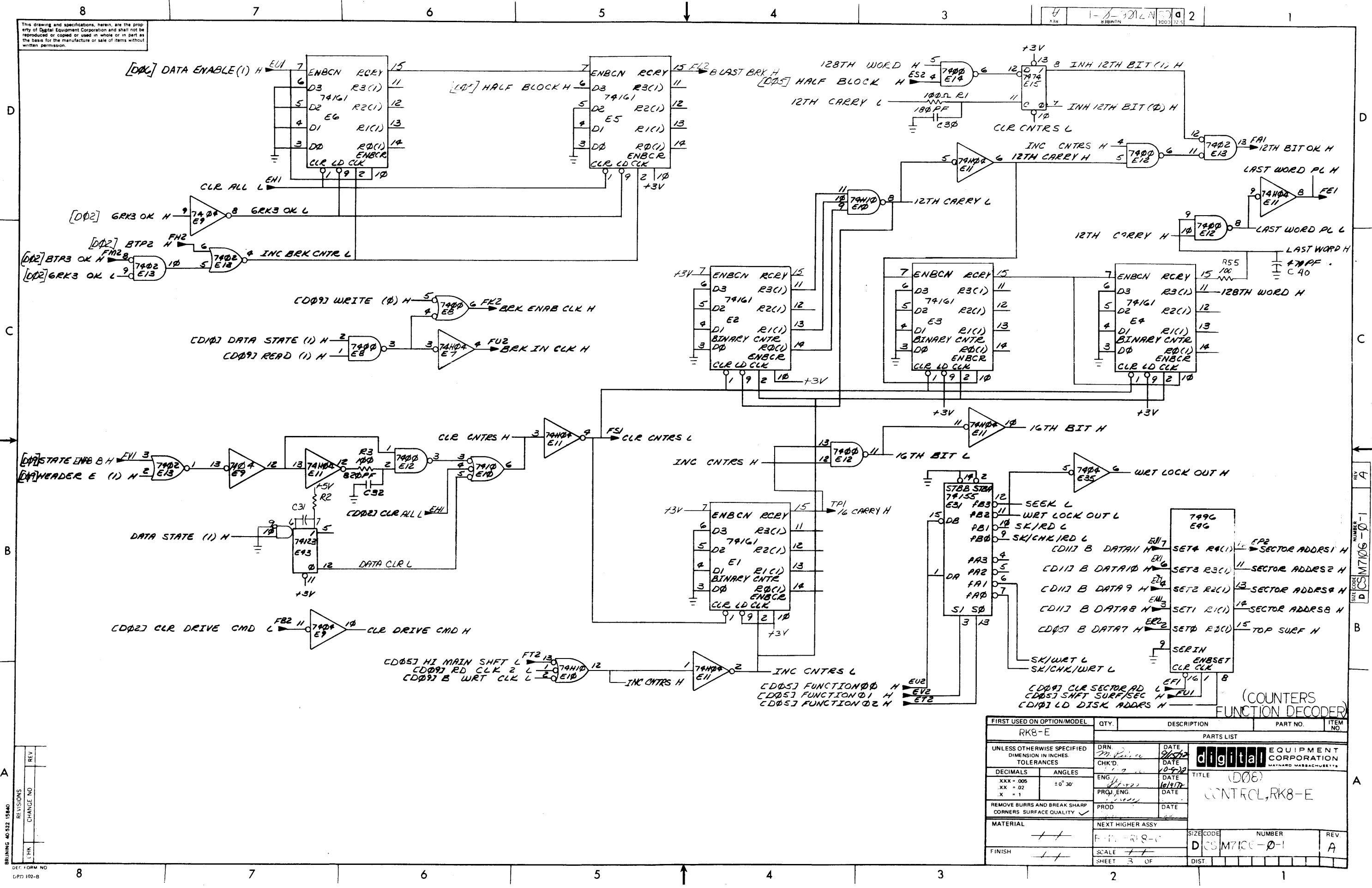
REV	CHANGE NO	DATE

REV B  
CS M7105-YB-1





This drawing and specifications, herein, are the property of Digital Equipment Corporation and shall not be reproduced or copied or used in whole or in part as the basis for the manufacture or sale of items without written permission.

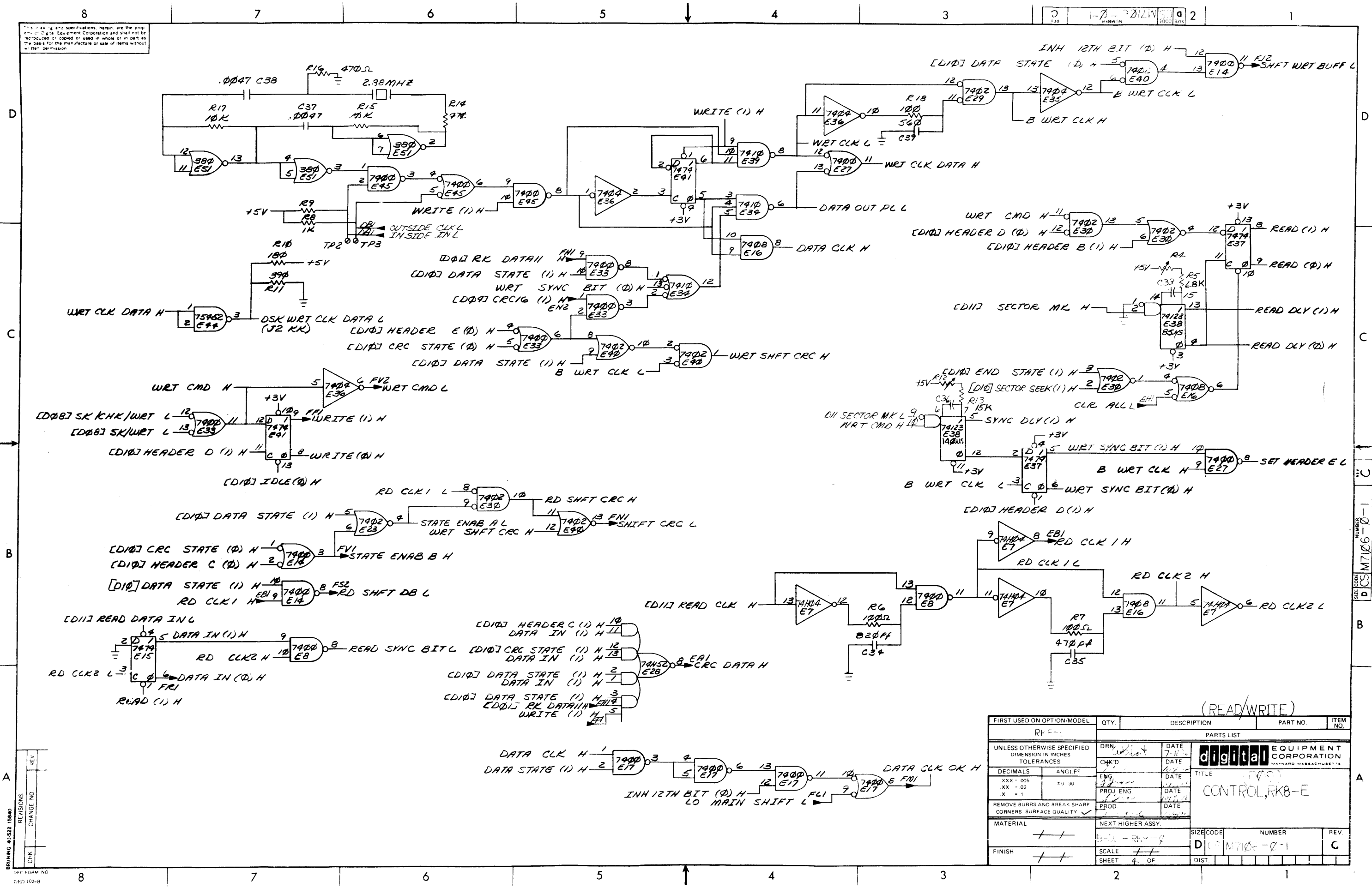


BRUNING 40-522 5840  
 REVISIONS  
 CHANGE NO.  
 LHK

FIRST USED ON OPTION/MODEL	QTY.	DESCRIPTION	PART NO.	ITEM NO.
RK8-E				
PARTS LIST				
UNLESS OTHERWISE SPECIFIED DIMENSION IN INCHES. TOLERANCES	DRN <i>M. P. ...</i>	DATE 9/25/72	 digital EQUIPMENT CORPORATION MAYNARD, MASSACHUSETTS	
DECIMALS	CHK'D	DATE 10-5-72		
ANGLES	ENG.	DATE 10-5-72	TITLE (D06) CONTROL, RK8-E	
XXX - .005 XX - .02 X - .1	PROJ. ENG.	DATE 10-10-72		
REMOVE BURRS AND BREAK SHARP CORNERS SURFACE QUALITY	PROD.	DATE	SIZE CODE DCS M7100-0-1 NUMBER A	
MATERIAL	NEXT HIGHER ASSY	DATE		
FINISH	SCALE	SHEET 3 OF	DIST	

REV. A  
 NUMBER 0-1  
 DCS M7100-0-1

The drawings and specifications herein are the property of Digital Equipment Corporation and shall not be reproduced or copied or used in whole or in part as the basis for the manufacture or sale of items without written permission.



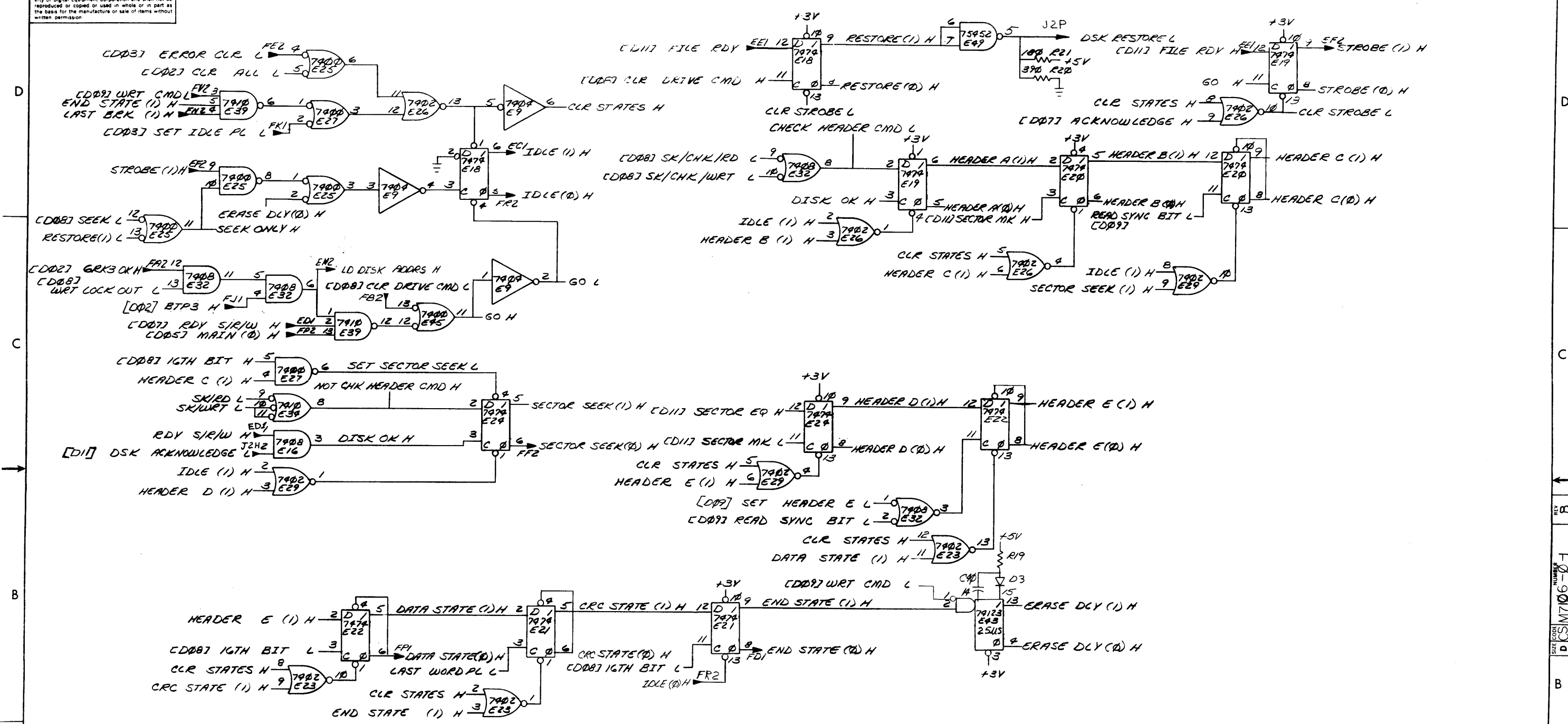
BRUNING 41-522 15840	REV
REVISIONS	
CHANGE NO.	
CHK	
DEF FORM NO	
TRD 102-B	

FIRST USED ON OPTION/MODEL	QTY.	DESCRIPTION	PART NO.	ITEM NO.
RF				
UNLESS OTHERWISE SPECIFIED DIMENSION IN INCHES TOLERANCES				
DECIMALS	ANGLES	DATE	PARTS LIST	
XXX - 005	± 0.30	7-16	digital EQUIPMENT CORPORATION MAYFORD MASSACHUSETTS	
XX - 02		DATE	TITLE	
X - 1		11-2-64	CONTROL, RK8-E	
REMOVE BURRS AND BREAK SHARP CORNERS. SURFACE QUALITY				
MATERIAL	NEXT HIGHER ASSY.	SIZE CODE	NUMBER	REV.
FINISH		D	CSM7106-0-1	C
		SCALE		
		SHEET	4 OF	

(READ/WRITE)

This drawing and specifications, herein, are the property of Digital Equipment Corporation and shall not be reproduced or copied or used in whole or in part as the basis for the manufacture or sale of items without written permission.

1-3-9212W SC 2  
CSM7106-0-1



(MAJOR STATES)

FIRST USED ON OPTION/MODEL	QTY.	DESCRIPTION	PART NO.	ITEM NO.
RK8-E				
PARTS LIST				
UNLESS OTHERWISE SPECIFIED DIMENSION IN INCHES. TOLERANCES	DRN <i>Chilbert</i>	DATE 7-14-72	<b>digital</b> EQUIPMENT CORPORATION MAYNARD MASSACHUSETTS	
DECIMALS .XXX ± .005	CHK'D <i>Chilbert</i>	DATE 11-13-72		
ANGLES .XX ± .02	ENG <i>Chilbert</i>	DATE 11-13-72	TITLE (D10) CONTROL, RK8-E	
X ± .1	PROJ. ENG. <i>Chilbert</i>	DATE 11-13-72		
REMOVE BURRS AND BREAK SHARP CORNERS SURFACE QUALITY ✓	PROD. <i>Chilbert</i>	DATE 11-13-72		
MATERIAL	NEXT HIGHER ASSY.			
FINISH	B-D1 -RK8-E	SCALE	SIZE CODE D CSM7106-0-1	NUMBER REV b
	SHEET	OF	DIST.	

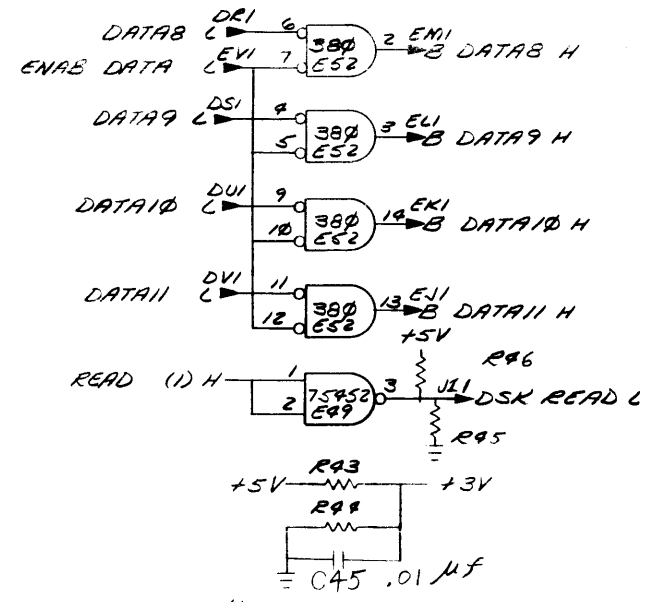
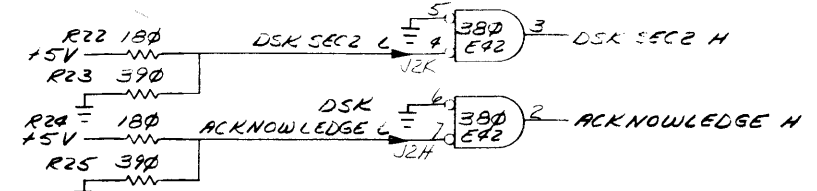
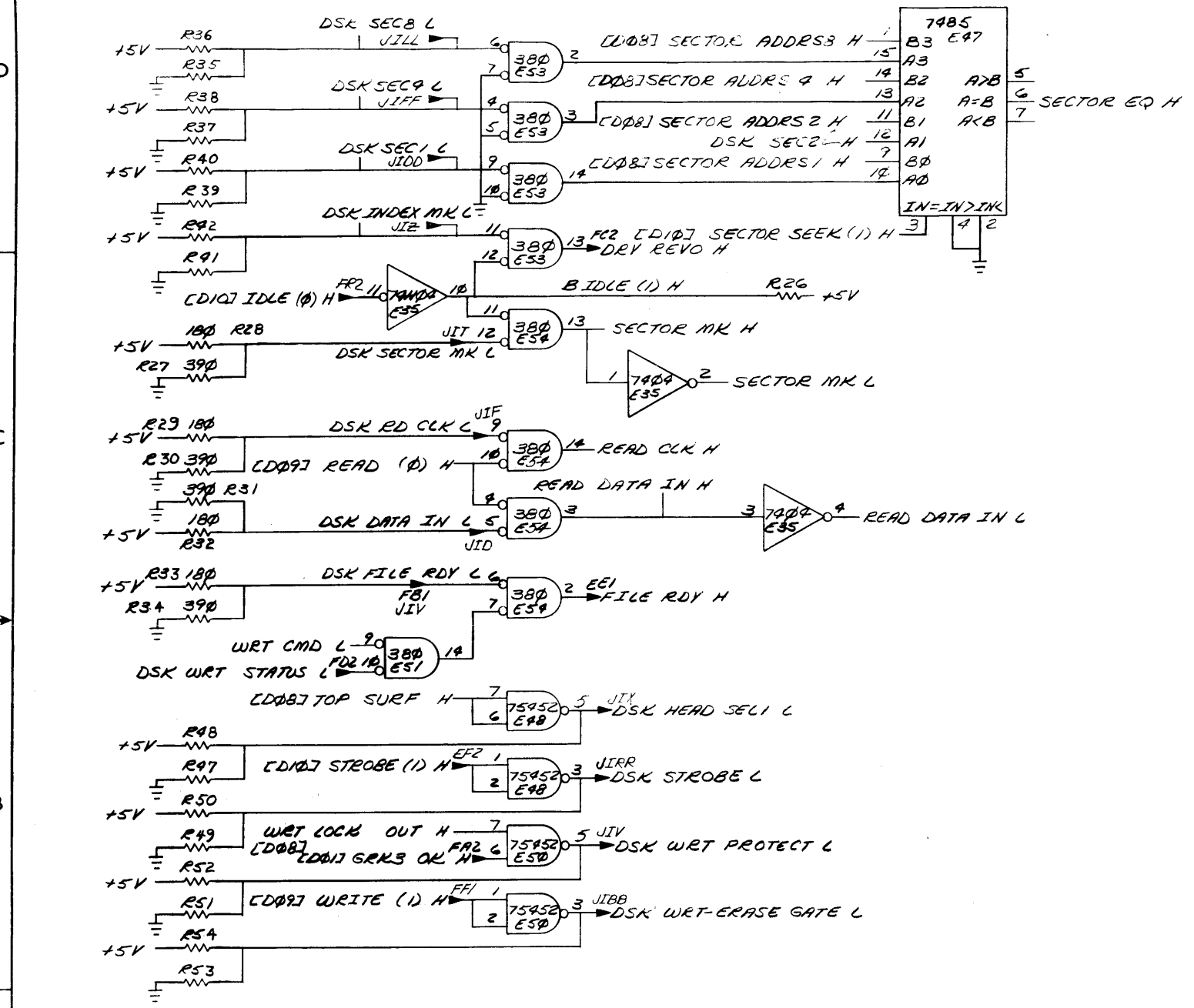
BRUNING 40-52 15840

REV.	CHANGE NO.
1	

DEC FORM NO  
PRD 102-B

This drawing and specifications herein are the property of Digital Equipment Corporation and shall not be reproduced or copied or used in whole or in part as the basis for the manufacture or sale of items without written permission.

SECTOR CONTROL



J2

UU	DSK CYL ADB L	ET1
SS	DSK CYL AD2 L	ER2
PP	DSK CYL AD9 L	EB2
MM	DSK CYL AD16 L	EC2
KK	DSK WRT CLK DATA L	E44-3
HH	DSK CYL AD128 L	EE2
EE	DSK RDY SIR/W L	EL2
CC	DSK CYL AD 32 L	EJ2
AA	DSK DRIVE 0 L	ED2
Y	DSK CYL AD1 L	ES1
W	DSK DRIVE 1 L	ER1
U	DSK CYL AD4 L	EH2
S	DSK DRIVE 2 L	EP1
P	DSK RESTORE L	E49-5
M	DSK DRIVE 3 L	EN1
K	DSK SEC 2 L	E42-4
H	DSK ACKNOWLEDGE L	E42-7
E	DSK SEEK FAIL L	EA2
C	DSK CAPACITY EX L	FC1
GND		B,D,F,J,L,N,R,T,V,X,Z, BB,DD,FF,JJ,LL,NN,RR,TT,VV.

J1

D	DSK DATA IN L	E54-5
F	DSK RD CLK L	E54-9
V	DSK WRT PROTECT L	E50-5
L	DSK READ L	E49-3
P	DSK WRT STATUS L	FD2
T	DSK SECTOR MK L	E54-12
Y	DSK FILE RDY L	E54-1
X	DSK HEAD SEL 1 L	E48-5
Z	DSK INDEX MK L	E53-11
BA	DSK WRT-ERASE GATE L	E50-3
DD	DSK SEC 1 L	E53-9
FF	DSK SEC 4 L	E53-4
LL	DSK SEC 8 L	E53-6
RR	DSK STROBE L	E48-3
T,T		BV2
GND		A,B,C,E,H,K,M,P,S,U,W,Y, AA,CC,EE,HH,KK,MM,PP,SS,UU.

(DRIVE SIGNALS CABLE J2 DRIVERS)

FIRST USED ON OPTION/MODEL	QTY	DESCRIPTION	PART NO.	ITEM NO.
RKB-E				
UNLESS OTHERWISE SPECIFIED DIMENSION IN INCHES TOLERANCES		PARTS LIST		
DECIMALS	ANGLES	digital EQUIPMENT CORPORATION		
XXX - .005		MAYNARD MASSACHUSETTS		
XX - .02	±0.30	TITLE (DIP) CONTROL, RKB-E		
X - .1		REMOVE BURRS AND BREAK SHARP CORNERS SURFACE QUALITY		
MATERIAL		NEXT HIGHER ASSY	SIZE CODE NUMBER REV	
FINISH		B-M-RV8-8	DCS M1106-0-1	C
		SCALE	DIST.	
		SHEET 6 OF		

BRUNING AC-322 15840

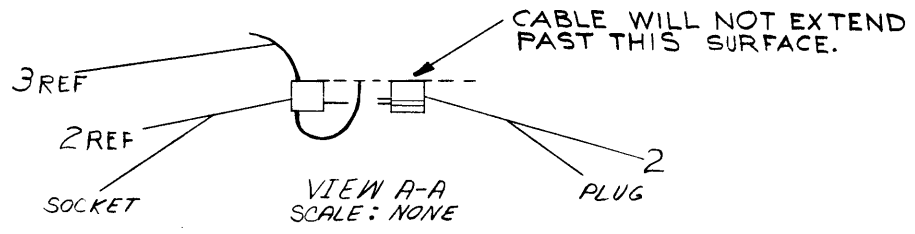
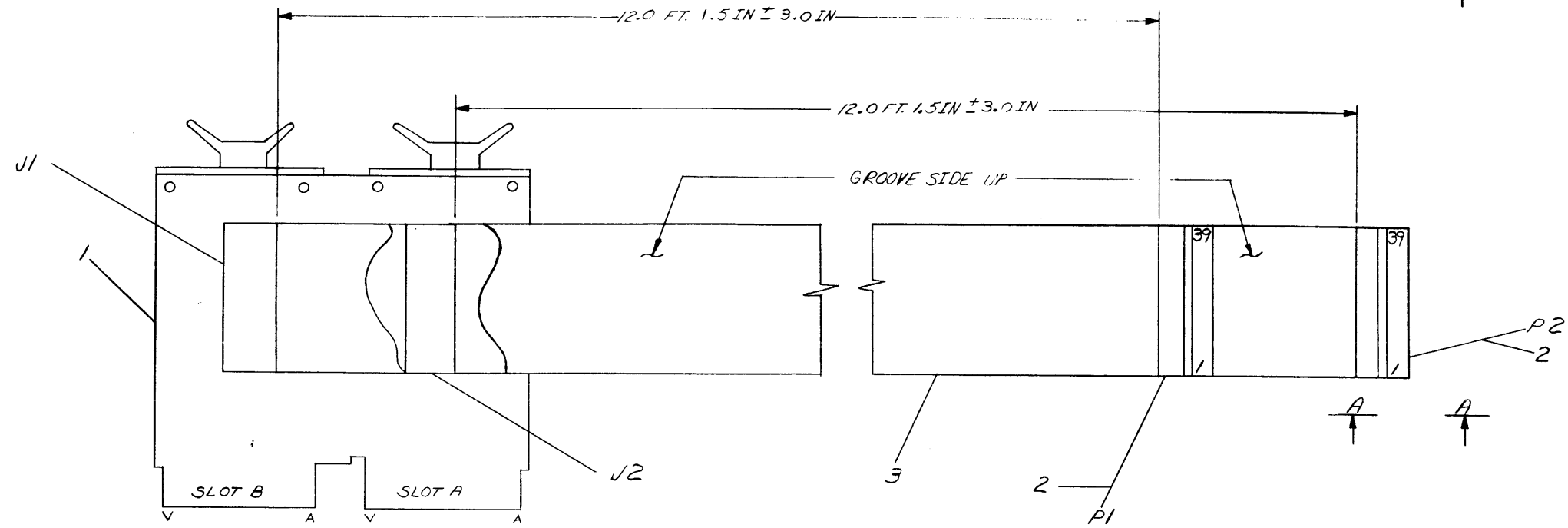
REV	1/81
CHG	OK 8/2/78
CHK	

DEC FORM NO 78RD 102-B



This drawing and specifications, herein, are the property of Digital Equipment Corporation and shall not be reproduced or copied or used in whole or in part as the basis for the manufacture or sale of items without written permission. 12/72

NOTES:  
 1. CABLE TO BE WEAVED WITH GROOVE SIDE UP.  
 2. WHEN ATTACHING CONN (ITEM #2) TO CABLE (ITEM #3), USE SCOTCHFLEX CONTACT PLATE #3443-24 AND SCOTCHFLEX ASSY. PRESS #3445 FROM 3M COMPANY.  
 3. TAPE CABLE EVERY 1.5 FEET.



QTY.	DESCRIPTION	PART NO.	ITEM NO.
A/R	TAPE, ELECTRICAL WHT.	9008880	4
2	CABLE 40 CONDUCTOR 30 ANG	910777-01	3
2	SCOTCHFLEX CONN #3443-24	1211206	2
1	RK8-E CONTROL CABLE MOD	D-05-M993-0-1	1

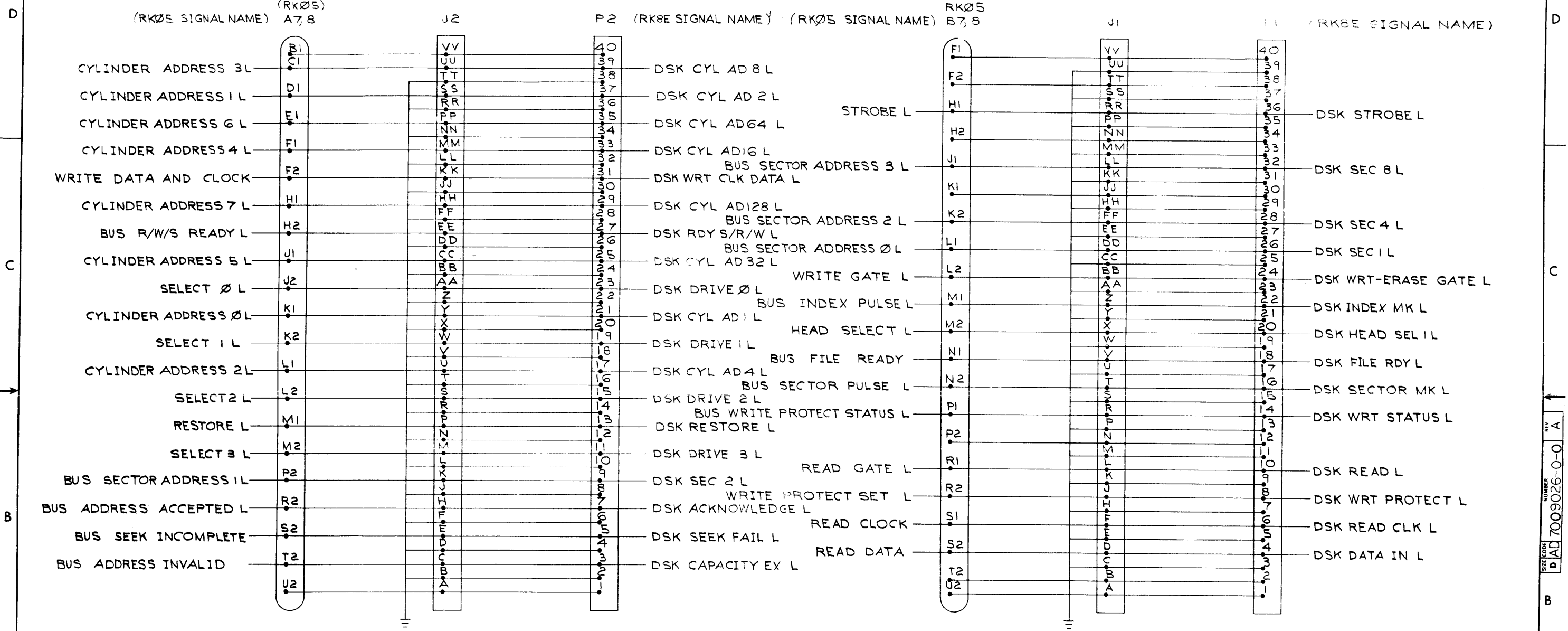
FIRST USED ON OPTION/MODEL		PARTS LIST	
RK8-E		DRN	DATE
UNLESS OTHERWISE SPECIFIED DIMENSION IN INCHES TOLERANCES		CHK'D	DATE
DECIMALS	ANGLES	ENG	DATE
XXX - .005	± 0° 30'	PROJ. ENG.	DATE
XX - .02		PROD.	DATE
X - .1			
REMOVE BURRS AND BREAK SHARP CORNERS SURFACE QUALITY		TITLE	
MATERIAL		NEXT HIGHER ASSY.	
FINISH		SCALE	
		SHEET	
		OF 2	
digital EQUIPMENT CORPORATION		CONTROL CABLE ASSY	
MATERIAL		SIZE CODE	NUMBER
		DAL	7009026-0-C
		REV	A

CHK	CHANGE NO.	REV
	RK BE - 00002	A
	B. O. [unclear]	3-9-73
	J. LEARSON	3-15-73

BRUNING 00-107 15946  
 DEC FORM NO  
 (DR) 100-A

REV A  
 NUMBER 7009026-0-0  
 SIZE CODE DAL

This drawing and specifications herein are the property of Digital Equipment Corporation and shall not be reproduced or copied or used in whole or in part as the basis for the manufacture or sale of items without written permission.



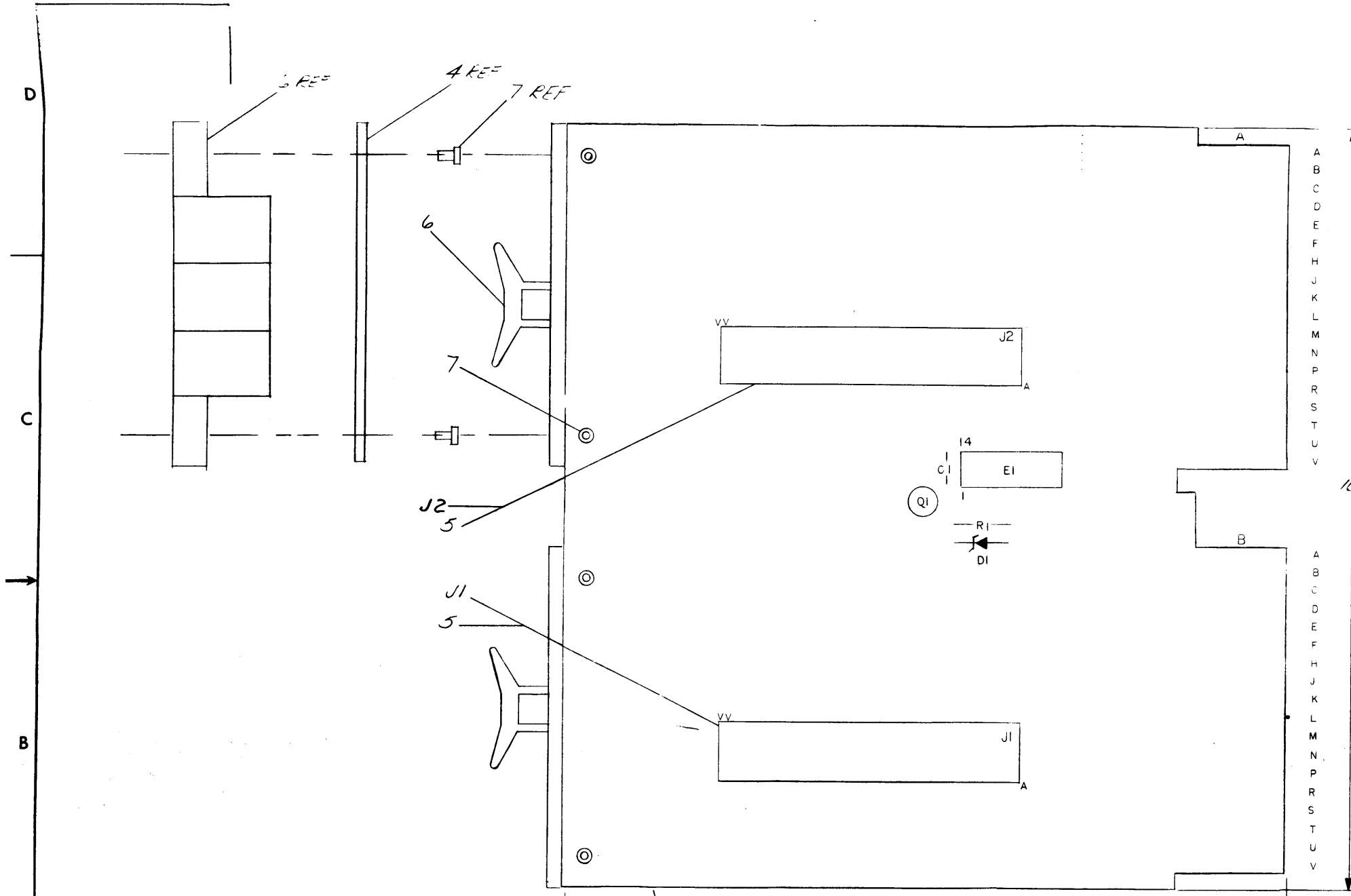
REV	
CHG	
REV	
CHG	

FIRST USED ON OPTION/MODEL	QTY.	DESCRIPTION	PART NO.	ITEM NO.
RK8-E				
PARTS LIST				
UNLESS OTHERWISE SPECIFIED DIMENSION IN INCHES TOLERANCES	DRN.	DATE	<b>digital</b> EQUIPMENT CORPORATION <small>MAINTON, MASSACHUSETTS</small>	
DECIMALS	CHK'D	DATE		
ANGLES	ENG	DATE		
XXX - 005 XX - 02 X - 1	PROJ ENG	DATE		
REMOVE BURRS AND BREAK SHARP CORNERS SURFACE QUALITY	PROD	DATE	TITLE <b>CONTROL CABLE ASSY</b>	
MATERIAL	NEXT HIGHER ASSY			
FINISH	SCALE		SIZE CODE	NUMBER
			D	009206-0-0
				REV
				A



NOTES:

\* NOTE: IF IC 7384 IS NOT AVAILABLE, IC 5384 MAY BE USED.



QTY	REF DESIGNATION	DESCRIPTION	PART NO.	ITEM NO.
1	CI	CAP. .01MFD 100V 20%	1001610	12
1	RI	RES. 470 1/4W 5%	1300316	11
1	Q1	6534B TRANSISTOR	153409-1	10
1	DI	ZENER DIODE	1100122	9
1	EI	IC 7384 *	1910393	8
4		EYELET, GS #4-7 EB. STIMPSON	9006732	7
2		HANDLE, FLIP-CHIP, MAGENTA	9008337-06	6
2	J1, J2	CONN. 3M (40 PINS)	1210073-0	5
1		ETCHED CIRCUIT BOARD	5010178	4
REF		MODULE ECO HISTORY	B-MH-11993-0-6	3
REF		ASSY/DRILLING HOLE LAYOUT	D-AH-11993-0-5	2
REF		X-Y COORDINATE HOLE LOCATION	K-10-11993-0-1	1

FIRST USED ON OPTION MODEL: RKB-E

ETCH BOARD REV: B

DRN: <i>axibnt</i>	DATE: 8/4/72
CHK'D:	DATE:
ENG:	DATE:
PROJ. ENG:	DATE:
PROD:	DATE:
NEXT HIGHER ASSY:	
D-AH-700902A-C	

**digital EQUIPMENT CORPORATION**  
MAYNARD, MASSACHUSETTS

TITLE: RKB-E CONTROL CABLE MODULE

SIZE CODE: CS-M093-0-1

NUMBER: 2 OF 3

REV: A

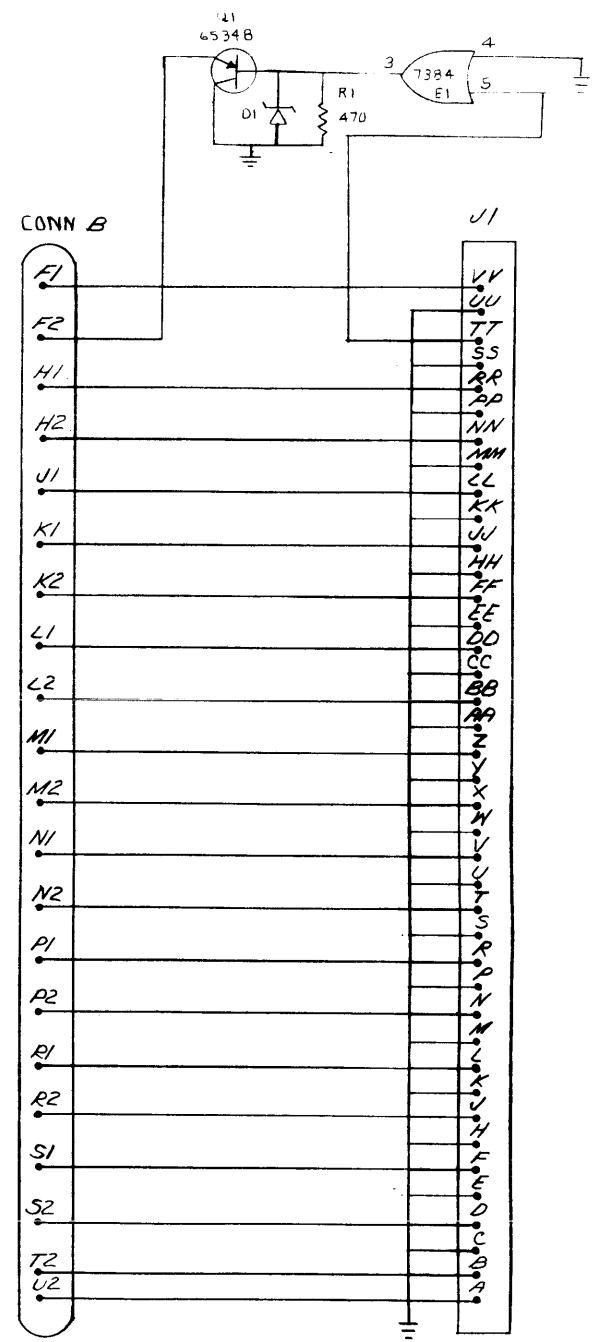
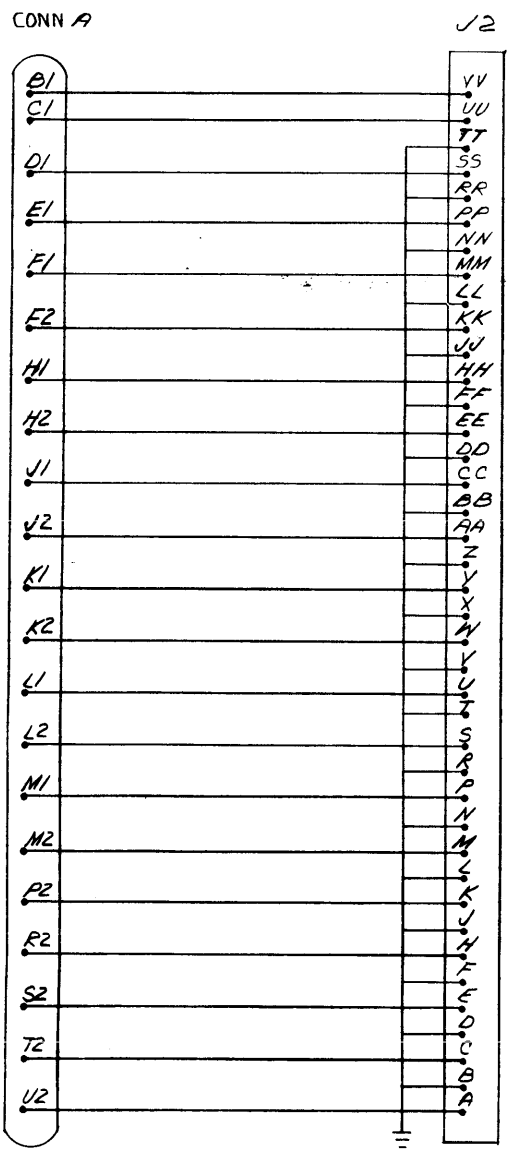
CHG	NO.	REV

DEC NO.	EIA NO.	DEC NO.	EIA NO.


PROPERTY OF DIGITAL EQUIPMENT CORPORATION  
REPRODUCTION OF THIS DOCUMENT IS PROHIBITED WITHOUT PERMISSION

1. This drawing is the property of Digital Equipment Corporation and shall not be reproduced, stored in a retrieval system, or transmitted in any form or by any means, electronic, mechanical, photocopying, recording, or by any information storage and retrieval system, without the prior written permission of Digital Equipment Corporation.

SIZE CODE D CS M993-0-1 2



ALL UNUSED PINS ARE GROUNDED EXCEPT FOR PINS AA2, AB2, AV1 AND BB2. BA2 IS +5V.

BRUNING 40522 15840  
DEC FORM NO DRD 102-B

REV	CHANGE NO

REV B  
NUMBER CS M993-0-1  
SIZE CODE D

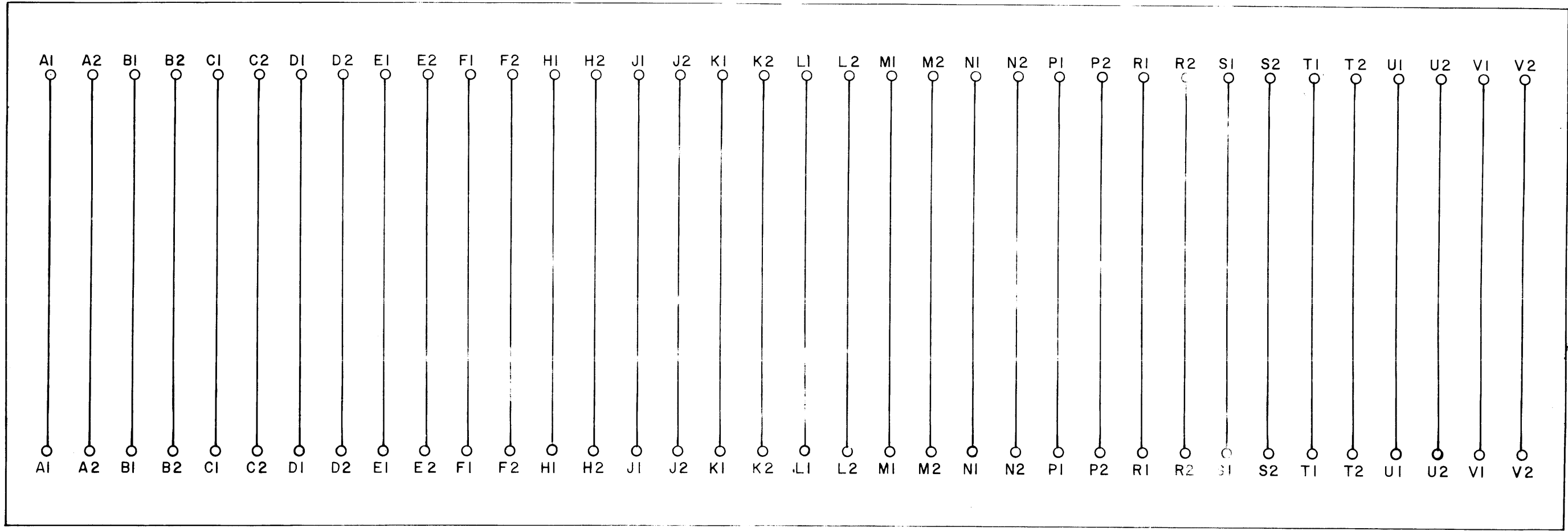
FIRST USED ON OPTION/MODEL	QTY.	DESCRIPTION	PART NO.	ITEM NO.
RK8-E		PARTS LIST		
UNLESS OTHERWISE SPECIFIED DIMENSION IN INCHES TOLERANCES	DRN <i>M. Green</i> DATE <i>9/1/72</i>			
DECIMALS ANGLES	CHK'D. DATE			
.XXX - .006	±0° 30'	ENG. DATE	TITLE RK8-E CONTROL CABLE MODULE NUMBER CS M993-0-1 REV B	
.XX - .02		PROJ. ENG. DATE		
.X - .1		PROD. DATE		
REMOVE BURRS AND BREAK SHARP CORNERS SURFACE QUALITY				
MATERIAL	NEXT HIGHER ASSY			



REV. C	NUMBER H851-0-1	CS	B
		CODE	SIZE

THIS SCHEMATIC IS FURNISHED ONLY FOR TEST AND MAINTENANCE PURPOSES. THE CIRCUITS ARE PROPRIETARY IN NATURE AND SHOULD BE TREATED ACCORDINGLY. COPYRIGHT 1970 BY DIGITAL EQUIPMENT CORPORATION

SLOT 1



SLOT 2

UNLESS OTHERWISE INDICATED:  
CONNECTOR IS A 1210152

REVISIONS	CHK	CHG NO.	REV.	DRN. jeanne french	DATE	TRANSISTOR & DIODE CONVERSION CHART				<b>digital</b> EQUIPMENT CORPORATION MAYNARD, MASSACHUSETTS	TITLE EDGE CONNECTOR H851			
	00002	B			7/29/70	DEC	EIA	DEC	EIA		SIZE B	CODE CS	NUMBER H851-0-1	REV. C
	P. GARDNER				CHK'D	DATE					PRINTED CIRCUIT REV. C			
	J.G. 902 P.G.				ENG.	1-29-71								
B.J. 8-3-72			PROD.	DATE										
R.D. Hale 1/24/73														
P. GARDNER														
S-3-73														



# DRAWING DIRECTORY

## CUSTOMER PRINT SET INDEX

THIS IS PRINT SET X

- DRAWING DIRECTORY
- MODULE UTILIZATION LIST
- READWRITE
- INDEX SECTOR
- CONTROL & INTERLOCK
- TRACK ADDRESS DIFFERENCE
- POSITION SERVO PREAMP
- SERVO POWER AMP CIRCUIT
- SERVO POWER AMP
- CONTROL PANEL CIRCUIT
- CONTROL PANEL
- RELAY BOARD CIRCUIT
- DECPACK MOTOR RELAYS
- CHASSIS WIRING
  
- ACCESSORY LIST
- POWER SUPPLY (H743)

- SEQUENCE**
- B-DD-RK05-0 SHEET #1 ONLY
  - C-MU-RK05-0-2
  - D-CS-G180-0-1
  - D-CS-M7700-0-1
  - D-CS-M7701-0-1
  - D-CS-G938-0-1
  - D-CS-H604-0-1
  - E-UA-H604-0-0
  - D-CS-5409698-0-1
  - E-IA-5409698-0-0
  - D-CS-5409574-0-1
  - E-IA-5409574-0-0
  - D-BD-RK05-0-1
  
  - A-AL-RK05-0-17
  - B-DD-H743-0

- SEQUENCE**
- MFG. PRINT SET
- MODULE UTILIZATION (PL)
  - RK05 TESTER
  - DECPACK ASSY
  - DECPACK ASSY (PL)
  - WIRED ASSY
  - LINEAR POSITIONER ASSY
  - LINEAR POSITIONER ASSY (PL)
  - H743 POWER SUPPLY
  - A-PL-RK05-0-2
  - B-DD-RK05-T
  - D-UA-RK05-0-0
  - A-PL-RK05-0-0
  - D-AD-7008696-0-0
  - D-AD-7008702-0-0
  - A-PL-7008702-0-0
  - B-DD-H743-0

UNIT VARIATIONS		PRINT SET TYPE				
VARIATION	TITLE	RK05-0				
RK05-AA	DECPACK 11.7V 60HZ	X				
RK05-AB	DECPACK 250V 60HZ	X				
RK05-BA	DECPACK 115V 50HZ	X				
RK05-BB	DECPACK 250V 50HZ	X				

REVISIONS			USED ON OPTION/MODEL	DRN.	DATE	TITLE	SIZE	CODE	NUMBER	REV.
DATE	CHG. NO.	REV.		CHK'D.	DATE					
		A			3/10/72	DECPACK ASSY				
	RK05-14	B			5-2-72					
	RK05-16	C			6/1/72					
	RK05-23	D								
	RK05-26	E								
	RK05-28	F								
	RK05-30	G								
	RK05-31	H								
	RK05-32	J								
	RK05-34	K								
	RK05-35	L								
	RK05-38	M								
	RK05-39	N								
	RK05-40	P								
	RK05-41	R								
	RK05-42	S								
	RK05-45	T								