

"THE MATERIAL HEREIN IS FOR INFORMATION PURPOSES ONLY AND IS SUBJECT TO CHANGE WITHOUT NOTICE. DIGITAL EQUIPMENT CORPORATION ASSUMES NO RESPONSIBILITY FOR ANY ERRORS WHICH MAY APPEAR HEREIN."

FIELD MAINTENANCE PRINT SET

THIS DRAWING AND THE SPECIFICATIONS CONTAINED HEREIN ARE CONFIDENTIAL AND PROPRIETARY. THEY ARE THE PROPERTY OF DIGITAL EQUIPMENT CORPORATION AND SHALL NOT BE REPRODUCED OR COPIED OR USED IN WHOLE OR IN PART AS THE BASIS FOR THE MANUFACTURE OR SALE OF ITEMS WITHOUT WRITTEN PERMISSION. THIS IS AN UNPUBLISHED WORK PROTECTED UNDER THE FEDERAL COPYRIGHT LAWS. 1985

TABLE OF CONTENTS

B-TC-PC238-0-1	DECMATE III (TC)
D-UA-PC238-0-0	DECMATE III UNIT ASSY
K-PL-PC238-0-DBP	DECMATE III UNIT ASSY (PL)
B-DD-PC238-0	DECMATE III (DD)
B-DD-5416489-0	DM III SYSTEM BD. (DD)
D-UA-5416489-0-0	DM III SYSTEM BOARD
K-PL-5416489-0-DBP	DM III SYSTEM BOARD (PL)
D-CS-5416489-0-1	DM III SYSTEM BOARD
B-DD-5416506-0	DM III ADAPTOR BOARD (DD)
D-UA-5416506-0-0	DM III ADAPTOR BOARD (PL)
K-PL-5416506-0-DBP	DM III ADAPTOR BOARD (PL)
B-DD-BA25-H-0	SMALL SYSTEM BOX (DD)
E-UA-BA25-H-0	SMALL SYSTEM BOX
K-PL-BA25-H-DBP	SMALL SYSTEM BOX (PL)
A-PS-1700283-0-0	CABLE, ASSY VIDEO B & W CT-150
A-PS-1700285-0-0	CABLE, ASSY 34 COND. CT150
A-PS-1700300-0-0	CABLE, PRINTER, ASSY 7 COND.
D-UA-5416489-1-0	DM III SYSTEM BOARD (UA)
K-PL-5416489-1-DBP	DM III SYSTEM BOARD (PL)
D-UA-5416489-2-0	DM III SYSTEM BOARD (UA)
K-PL-5416489-2-DBP	DM III SYSTEM BOARD (PL)
D-UA-5416489-3-0	DM III SYSTEM BOARD (UA)
K-PL-5416489-3-DBP	DM III SYSTEM BOARD (PL)

VARIATIONS COVERED BY THIS PRINT SET
PC238-AA
PC238-AB

DECMATE III

**PC238
Field Maintenance
Print Set**

**Digital Equipment
Corporation**

Print Set Part Number MP-01968-01

REVISION HISTORY	DATE	INITIAL REL	(GW)	(GW)
REV.	ECO NUMBER			
A	PC238-TA001			
B	PC238-TA003			
C				

DRN.	DATE	TITLE	digital		
S. ROBERTS	16-AUG-84	DECMATE III			
CHK'D.	DATE				
J. DEVIN	16-AUG-84				
DES. ENG.	DATE				
O. LIN	16-AUG-84				
RESP. ENG.	DATE	DOCUMENT NUMBER			
S.Y. CHEN	16-AUG-84	SIZE	CODE	NUMBER	REV.
FIELD SERVICE	DATE	B	TC	PC238-0-1	C
A. PITLIANGAS	16-AUG-84				
TOP DOC. NO.		SHEET 1 OF 1			

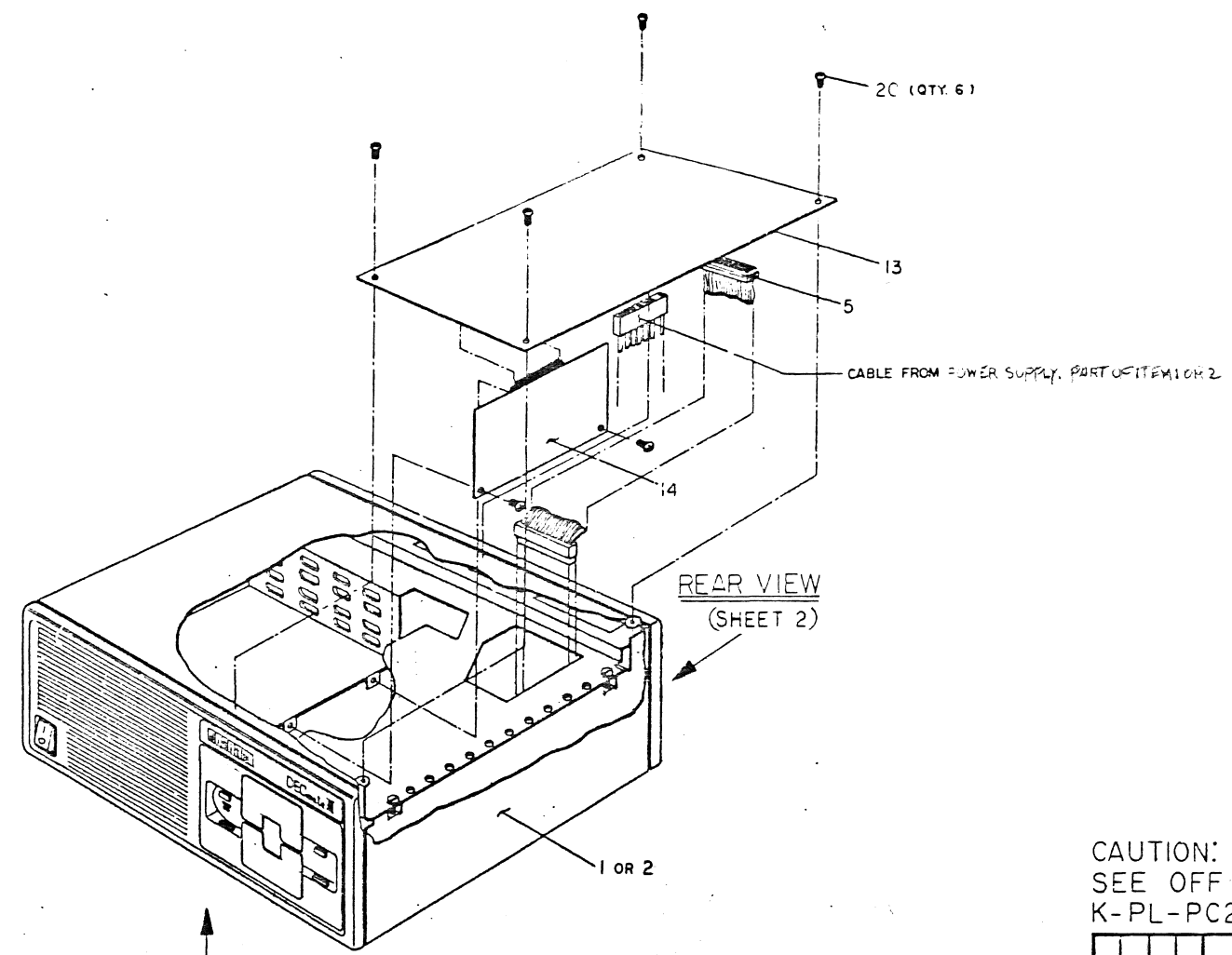
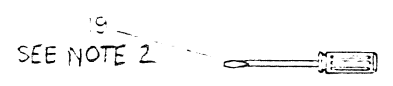
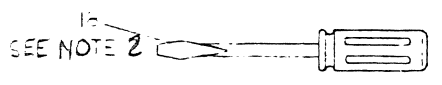
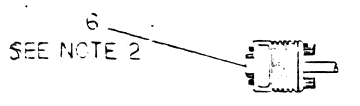
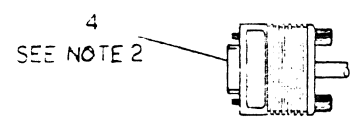
REV C
NUMBER PC238-0-1
SIZE B TC



DUAPC238-0-0

THIS DRAWING AND THE SPECIFICATIONS CONTAINED HEREIN ARE CONFIDENTIAL AND PROPRIETARY. THEY ARE THE PROPERTY OF DIGITAL EQUIPMENT CORPORATION AND SHALL NOT BE REPRODUCED OR USED IN WHOLE OR IN PART AS THE BASIS FOR MANUFACTURE OR SALE OF ITEMS WITHOUT WRITTEN PERMISSION. THIS IS AN UNCLASSIFIED WORK PROTECTED UNDER THE FEDERAL COPYRIGHT LAWS.

NOTE:
1. ADAPTOR BD (ITEM 14) SHOULD BE CONNECTED WITH SYSTEM BD (ITEM 13).
B. ADAPTOR BD. SHOULD BE FASTENED TO INTERMEDIATE CHASSIS.
C. SYSTEM BD. SHOULD BE FASTENED TO INTERMEDIATE CHASSIS.
2. ITEM 4, 5, 12, AND 19 ARE SHIPPED AS LOOSE PIECES.



BOTTOM VIEW
(SHEET 2)

REAR VIEW
(SHEET 2)

CAUTION:
SEE OFF SHEET PARTS LIST
K-PL-PC238-0-DBP (Z9953)

REV.	ECO NUMBER	DATE
B	INIT REL	6-21-84
C	PC 238- TA002	7/28/84
D	PC 238- TA004	8-26-84
E	PC 238- TA004	10/19/84
F	PC238-MLO06	

GORDON WU
 GORDON WU
 C. MCNEIL 15 APR 86
 DAT PHAM
 L. BONNETTE

FIRST USED ON
PC238

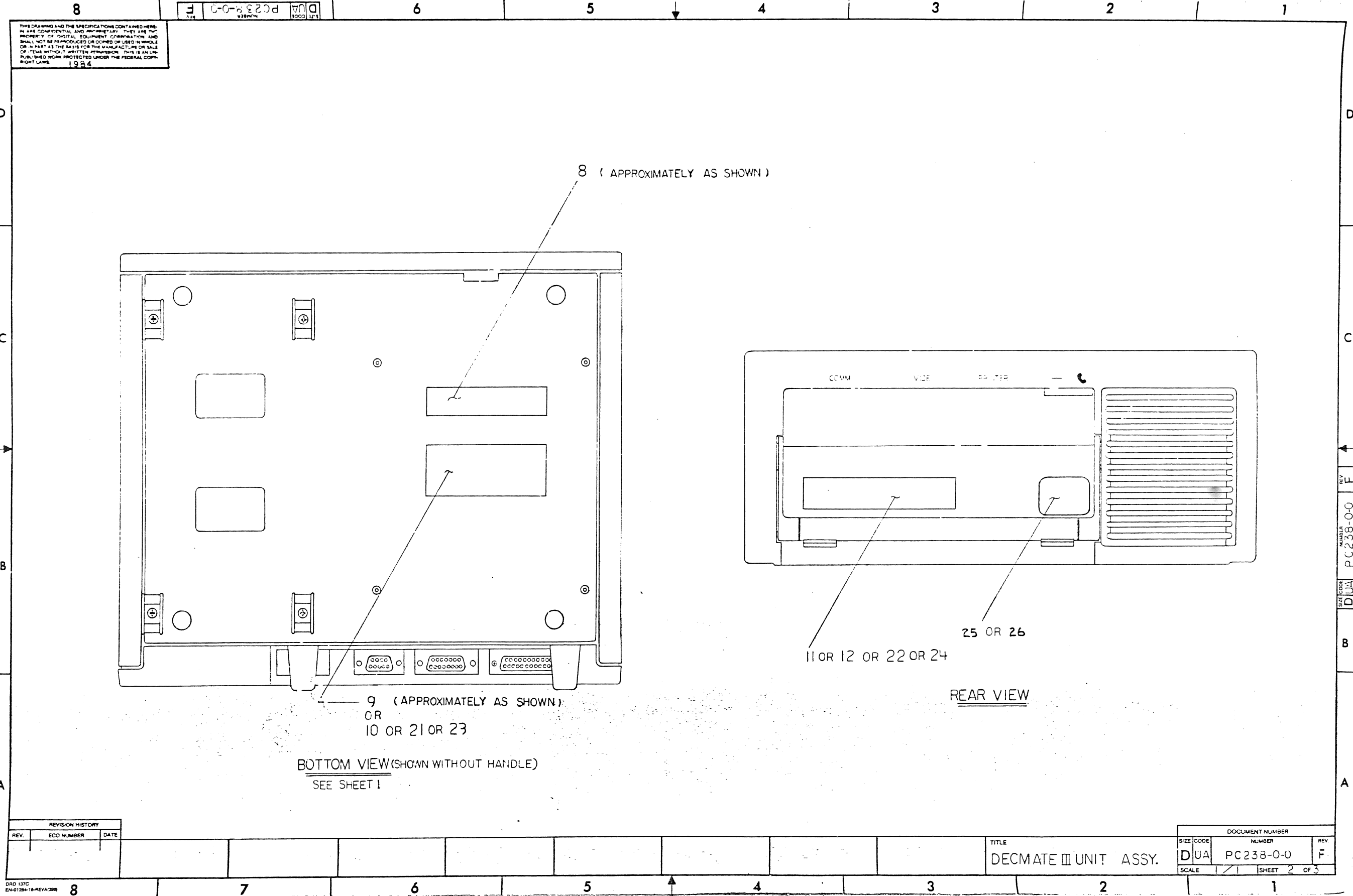
DESCRIPTION	DRAWING NO.	PART NO.	ITEM NO.
UNLESS OTHERWISE SPECIFIED DIMENSIONS ARE IN INCHES AND THE FOLLOWING TOLERANCES APPLY (PER DEC STD 114)			
INCHES TOLERANCES	ANGLES ± 0°30'	APPLICABLE DIMENSION RANGE	
		OVER 0 TO 1.2	OVER 1.2 TO 4.0
SURFACE QUALITY	MICROINCHES	DIMENSION RANGE IN INCHES	
		0 TO 1.2	1.2 TO 4.0
XX ± .02	XXX ± .005	± .004	± .008
± .10	± .025	± .012	± .024
THIRD ANGLE PROJECTION	DATE	8-MAY-84	TITLE
DO NOT SCALE DRAWING	DATE	8-MAY-84	DECIMATE III UNIT ASSY.
REMOVE BURRS AND BREAK SHARP CORNERS	DATE	8 MAY 84	DOCUMENT NUMBER
MATERIAL	DATE	8-MAY-84	DUAPC238-0-0
SEE PARTS LIST	DATE	7-20-84	REV F
FINISH	TOP DOC. NO.	B-DD-PC238-0	SCALE NONE SHEET 1 OF 3

DUAPC238-0-0



THIS DRAWING AND THE SPECIFICATIONS CONTAINED HEREIN ARE CONFIDENTIAL AND PROPRIETARY. THEY ARE THE PROPERTY OF DIGITAL EQUIPMENT CORPORATION AND SHALL NOT BE REPRODUCED OR COPIED OR USED IN WHOLE OR IN PART AS THE BASIS FOR THE MANUFACTURE OR SALE OF ITEMS WITHOUT WRITTEN PERMISSION. THIS IS AN UNPUBLISHED WORK PROTECTED UNDER THE FEDERAL COPYRIGHT LAWS.
1984

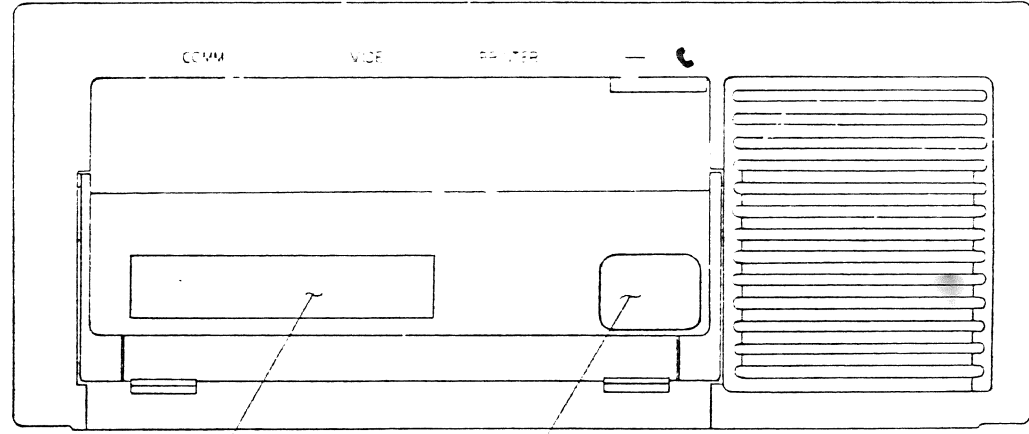
SIZE CODE DUA PC238-0-0 F



8 (APPROXIMATELY AS SHOWN)

9 (APPROXIMATELY AS SHOWN)
OR
10 OR 21 OR 23

BOTTOM VIEW (SHOWN WITHOUT HANDLE)
SEE SHEET 1



11 OR 12 OR 22 OR 24
25 OR 26

REAR VIEW

REVISION HISTORY		
REV.	ECO NUMBER	DATE

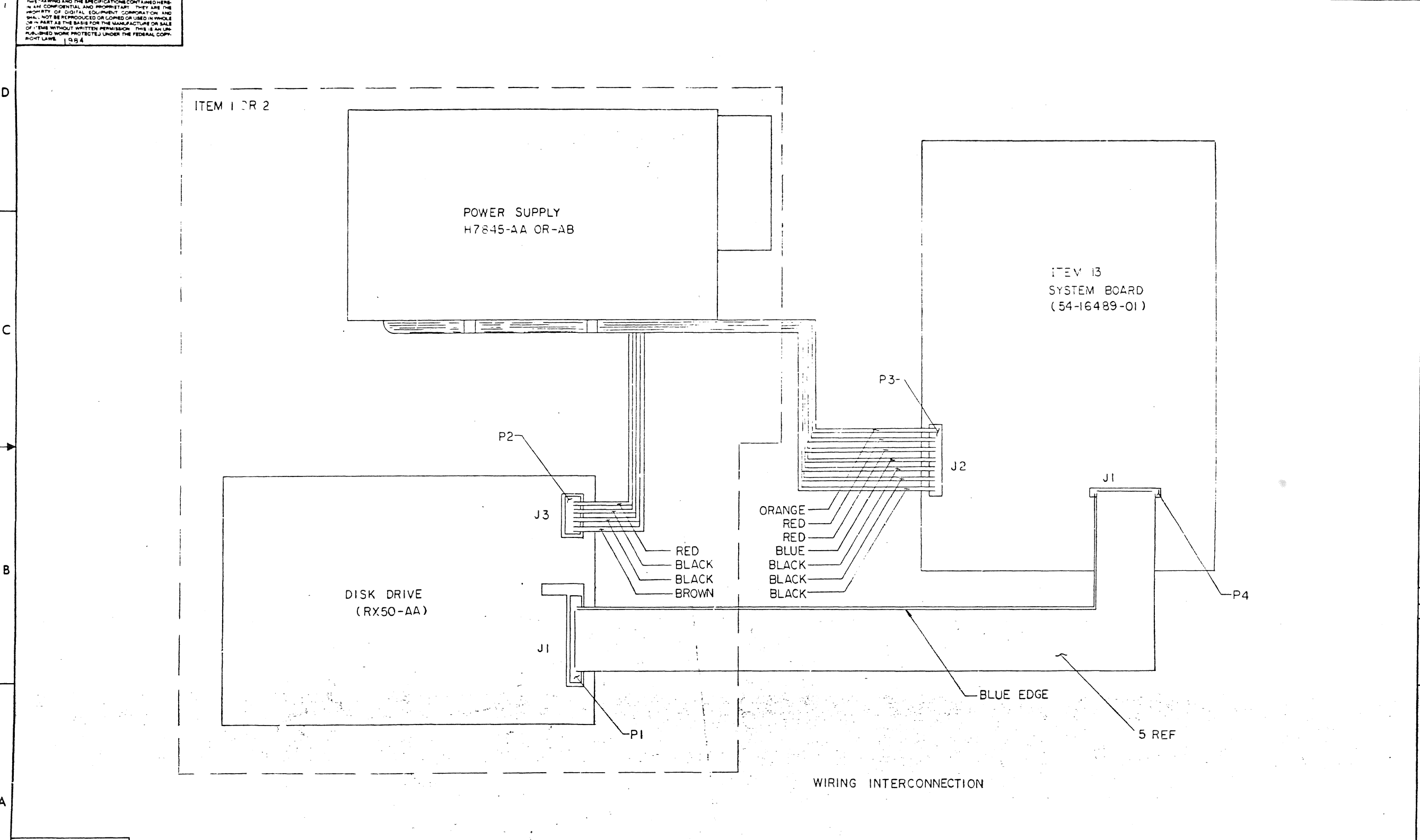
DOCUMENT NUMBER		
SIZE CODE	NUMBER	REV.
DUA	PC238-0-0	F
SCALE	SHEET 2 OF 3	

TITLE
DECIMATE III UNIT ASSY.

DRD 137C
EV-01294-16-REV A (28)

THIS DRAWING AND THE SPECIFICATIONS CONTAINED HEREIN ARE CONFIDENTIAL AND PROPRIETARY. THEY ARE THE PROPERTY OF DIGITAL EQUIPMENT CORPORATION AND SHALL NOT BE REPRODUCED OR COPIED OR USED IN WHOLE OR IN PART AS THE BASIS FOR THE MANUFACTURE OR SALE OF ITEMS WITHOUT WRITTEN PERMISSION. THIS IS AN UNPUBLISHED WORK PROTECTED UNDER THE FEDERAL COPYRIGHT LAWS. 094

SIZE CODE DUA
 NUMBER PC238-0-0
 REV F



REVISION HISTORY		
REV	ECO NUMBER	DATE

TITLE			DOCUMENT NUMBER		
DECIMATE II UNIT ASSY.			SIZE CODE	NUMBER	REV
			DUA	PC238-0-0	F
			SCALE	SHEET	OF
			NONE	3	3

DRD 137C
 EN-0128-18-REV A (2/69)

SIZE CODE DUA
 NUMBER PC238-0-0
 REV F

LINE	ITEM	TOP DOCUMENT	PART NUMBER	MIN REV	DESCRIPTION	AA C2	AB C2	QUANTITY PER VARIATION/REVISION
1	1	#B-DD-BA25-H	BA25 -HA	B	5"H,12"W,11"D SMALL SYS ENCLOSURE	1	-	
2	2	#B-DD-BA25-H	BA25 -HB	B	5"H,12"W,11"D SMALL SYS ENCLOSURE	-	1	
3	3				*** THIS ITEM IS NOT USED ***	-	-	
4	4		17-00283-00	C	CABLE ASSY,07 COND,MOLD,SHLD 15S	1	1	
5	5		17-00285-00	B	CABLE ASSY,34 COND,FLAT (2X17)RE	1	1	
6	6		17-00300-00	A	CABLE ASSY,07 COND,MOLD,SHLD 25S	1	1	
7	7				*** THIS ITEM IS NOT USED ***	-	-	
8	8		36-18460-01	B	LABEL,BAR CODE BLANK .38 X1.5	1	1	
9	9	SEE 1 GEN	36-22854-01	A	LABEL,REGULATORY,DM III	A/R	-	
10	10	SEE 2 GEN	36-22854-02	A	LABEL,REGULATORY,DM III CLASSIFIED	-	A/R	
11	11	SEE 1 GEN	36-22855-01	A	LABEL,S/N,POWER DM III	A/R	-	
12	12	SEE 2 GEN	36-22855-02	A	LABEL,S/N,POWER DMIII 220-240V	-	A/R	
13	13	#B-DD-5416489-0	54-16489-01	E	DECMATE ITT SYSTEM BD.	1	1	
14	14	#B-DD-5416506-0	54-16506-01	B	DECMATE III ADAPTER BD	1	1	
15	15				*** THIS ITEM IS NOT USED ***	-	-	
16	16	A-PA-3700789-0-0	37-00789-01	A	PKG SYSTEM BOX PC238-AA	1	1	
17	17				*** THIS ITEM IS NOT USED ***	-	-	
18	18		12-13802-00		SCREWDRIVER,FLAT BLADE 1/4"X71/2"	1	1	
19	19		47-00097-01	A	SCREWDRIVER,MINI,WHITE W/DEC LOGO	1	1	
20	20		12-23598-02	A	SCREW,PAN, WASHER 4-40	6	6	
21	21	SEE 3 GEN	36-22854-03	A	LABEL,REGULATORY,DECMATE III	-	A/R	
22	22	SEE 3 GEN	36-22855-03	A	LABEL,S/N,POWER DECMATE III	-	A/R	
23	23	SEE 4 GEN	36-22854-04	A	LABEL,REGULATORY,DECMATE III	A/R	-	
24	24	SEE 4 GEN	36-22855-04	A	LABEL,S/N,POWER DECMATE III AYO	A/R	-	
25	25		36-17905-16	A	LABEL,WARNING EQUIP. RATING,100-12	1	-	
26	26		36-17905-17	A	LABEL,WARNING EQUIP. RATING,220-24	-	1	

1 GEN: QUANTITY OF 1 EACH OF 3622854-01 AND 3622855-01 ARE REQUIRED WHEN -AA IS MANUFACTURED AT TAO.
 2 GEN: QUANTITY OF 1 EACH OF 3622854-02 AND 3622855-02 ARE REQUIRED WHEN -AB IS MANUFACTURED AT TAO.
 3 GEN: QUANTITY OF 1 EACH OF 3622854-03 AND 3622855-03 ARE REQUIRED WHEN -AB IS ASSEMBLED AT AYO.

REVISION HISTORY			KPL MATRIX FORMAT		SECTION A OF A		DRN: T.WILSON/RG.WEI	
ENG	ECO NUMBER	REV	SECTION/VARIATION INDEX		DATE: 08-MAY-84	D I G I T A L		
---	INITIAL	B	[A]	AA,AB	CHK'D: 0.LIN	TITLE PARTS LIST		
GW	PC238-TA002	C	[B]		DATE: 08-MAY-84	DECMATE III UNIT ASSY		
GW	PC238-TA003	D	[C]		DES.ENG: 0.LIN	DOCUMENT NUMBER		
GW	PC238-TA004	E	[D]		DATE: 08-MAY-84	SIZE	CODE	NUMBER
JR	PC238-ML005	F	[E]		RESP.ENG.: S.Y.CHEN	K	PL	PC238-0-DBP
LB	PC238-ML006	H	[F]		DATE: 08-MAY-84	REV		
			[H]		MFG.ENG: G.WU	RELEASE DATE: 04-OCT-87		
			[J]		DATE: 08-MAY-84	RELEASE STATUS: RELEASED		
BASIC PART NUMBER:			ASSEMBLY NUMBER:		TOP DOCUMENT NUMBER:		FILE NAME:	
PC238			E-UA-PC238-0-0		B-DD-PC238-0		Z9953H.PLS	
							EDIT #	
							2	

"THIS DRAWING AND THE SPECIFICATIONS CONTAINED HEREIN ARE CONFIDENTIAL AND PROPRIETARY. THEY ARE THE PROPERTY OF DIGITAL EQUIPMENT CORPORATION AND SHALL NOT BE REPRODUCED OR COPIED OR USED IN WHOLE OR IN PART AS THE BASIS FOR THE MANUFACTURE OR SALE OF ITEMS WITHOUT WRITTEN PERMISSION. THIS IS AN UNPUBLISHED WORK PROTECTED UNDER THE FEDERAL COPYRIGHT LAWS."

LINE ITEM	TOP DOCUMENT	PART NUMBER	MIN REV	DESCRIPTION	AA C2	AB C2	QUANTITY PER VARIATION/REVISION
-----------	--------------	-------------	------------	-------------	----------	----------	---------------------------------

4 GEN: QUANTITY OF 1 EACH OF 3622854-04 AND 3622855-04 ARE REQUIRED WHEN -AA IS ASSEMBLED AT AY0.

D	I	G	I	T	A	L	TITLE	SECTION A OF A	SIZE	CODE	DOCUMENT NUMBER	REV
							DECMATE III UNIT ASSY		K	PL	PC238-0-DBP	H

DRAWING NO.	NO. OF SHTS.	PART NO.	DESCRIPTION	REVISIONS															
		PC238-AA	DECMATE III (120 V)	A1	A1	B1	C1	C1	C1	C2									
		PC238-AB	DECMATE III (240 V)	A1	A1	B1	C1	C1	C1	C2									
		MP01968-01	FIELD MAINTENANCE PRINT SET	REF	REF	REF	REF	REF	REF	REF									
B-TC-PC238-0-1			TABLE OF CONTENTS	A	B	B	C	C	C	C									
D-UA-PC238-0-0			UNIT ASSY	B	B	B	C	D	E	F									
K-PL-PC238-0-DBP			PARTS LIST	B	B	C	D	E	F	H									
K-SP-PC238-0-2			ENGINEERING SPEC (PC238)	-	A	A	A	A	A	A									

NOTES:

REVISION HISTORY		REV.	B	C	D	E	F	H	J
DATE	ECO NC.	INITIAL							
11/84	TA001								
5/85	TA002								
6/85	TA003								
6/85	TA004								
6-JUN-86	PC238-ML005								
11-SEP-87	PC238-ML006								

THIS DRAWING AND THE SPECIFICATIONS CONTAINED HEREIN ARE CONFIDENTIAL AND PROPRIETARY. THEY ARE THE PROPERTY OF DIGITAL EQUIPMENT CORPORATION AND SHALL NOT BE REPRODUCED OR COPIED OR USED IN WHOLE OR IN PART AS THE BASIS FOR THE MANUFACTURE OR SALE OF ITEMS WITHOUT WRITTEN PERMISSION. THIS IS AN UNPUBLISHED WORK PROTECTED UNDER THE FEDERAL COPYRIGHT LAWS.



DRN.	R.G.WEI	DATE	14-MAY-84
CHK'D	O.LIN	DATE	14-MAY-84
DES. ENG.	S.Y.CHEN	DATE	14-MAY-84
RESP. ENG.	S.Y.CHEN	DATE	14-MAY-84
MFG. ENG.		DATE	

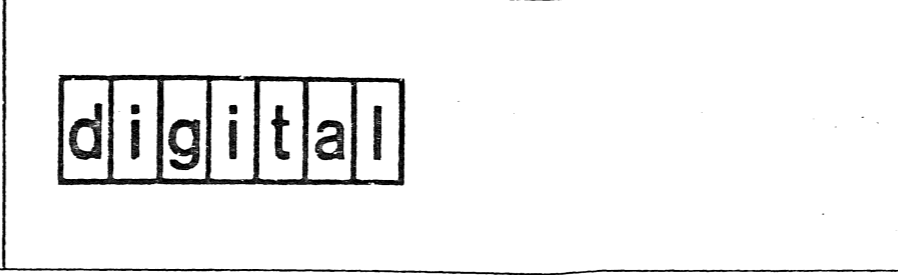
TITLE DECMATE III			
DOCUMENT NUMBER			
SIZE	CODE	NUMBER	REV.
B	DD	PC238-0	J
SHEET 1 OF 1			

DRAWING NO.	NO OF SHTS	PART NO.	DESCRIPTION	REVISIONS																
				A1	A2	A1	A3	B1	B2	B3	C1	C2	C3	C1	C2	C3	D1	D2	D3	E2
		5416489-01	DM3 SYSTEM BOARD	A1	A2	A1	A3	B1	B2	B3	C1	C2	C3	C1	C2	C3	D1	D2	D3	E2
D-UA-5416489-0-0			DM3 SYSTEM BOARD UNIT ASSY	B	-	C	-	-	-	D	-	-	E	-	-	E	-	-	E	INA
K-PL-5416489-0-DBP			DM3 SYSTEM BOARD PARTS LIST	B	-	B	-	-	-	C	-	-	D	-	-	E	-	-	F	INA
D-EC-5416489-0-0			DM3 SYSTEM BOARD ETCH CUT								-	-	C	-	-	C	-	-	C	INA
D-CS-5416489-0-1			DM3 SYSTEM BOARD CIRCUIT SCHEMATIC	B	C	C	C	D	D	D	E	E	E	E	E	E	F	F	F	H
D-UA-5416489-1-0			DM3 SYSTEM BOARD UNIT ASSY		A	-	-	B	-	-	C	-	-	C	-	-	C	-	C	D
K-PL-5416489-1-DBP			DM3 SYSTEM BOARD PARTS LIST		A	-	-	B	-	-	C	-	-	D	-	-	E	-	F	
D-EC-5416489-1-0			DM3 SYSTEM BOARD ETCH CUT								-	B	-	-	B	-	-	B	B	
D-UA-5416489-2-0			DM3 SYSTEM BOARD UNIT ASSY				A	B	-	-	C	-	-	C	-	-	C	-	-	
K-PL-5416489-2-DBP			DM3 SYSTEM BOARD PARTS LIST				A	B	-	-	C	-	-	D	-	-	E	-	-	
D-EC-5416489-2-0			DM3 SYSTEM BOARD ETCH CUT								B	-	-	B	-	-	B	-	-	
		5016488-01	ETCHED CIRCUIT BOARD	D1	D	D1	D3	D3	D2	D1	D3	D2	D1	D3	D2	D1	D3	D2	D1	D2
B-DD-5016488-0			DRAWING DIRECTORY	B	C	C	D	D	D	D	INA	INA	INA	INA	INA	INA	INA	INA	INA	INA
D-MD-5016488-0-0			DM3 SYS BOARD CIRCUIT DRILL & ETCH								E	C	B	E	C	B	E	C	B	C

- NOTES:**
- | | |
|---|--|
| <ul style="list-style-type: none"> 1) MAKE PART REV B1 FROM A3 2) MAKE PART REV B2 FROM A2 3) MAKE PART REV B3 FROM A1 4) MAKE PART REV C1 FROM B1 5) MAKE PART REV C2 FROM B2 6) MAKE PART REV C3 FROM B3 7) MAKE PART REV D1 FROM C1 8) MAKE PART REV D2 FROM C2 9) MAKE PART REV D3 FROM C3 | <ul style="list-style-type: none"> 10) MAKE PART REV E2 FROM D2 11) MAKE PART REV E1 FROM D1 |
|---|--|


REVISION HISTORY		REV	B	C	C	D	E	E	E	F	F	F	H	H	H	J	J	J	K
DATE	ECO NO.																		
5/84	INT REL																		
11/84	TA001																		
11/84	TA001																		
12/84	TA002																		
2/85	TA003																		
2/85	TA003																		
2/85	TA003																		
3/85	TA004																		
3/85	TA004																		
3/85	TA004																		
6/85	TA005																		
6/85	TA005																		
6/85	TA005																		
6/85	TA006																		
6/85	TA006																		
6/85	TA006																		
9/85	TA007																		

THIS DRAWING AND THE SPECIFICATIONS CONTAINED HEREIN ARE CONFIDENTIAL AND PROPRIETARY. THEY ARE THE PROPERTY OF DIGITAL EQUIPMENT CORPORATION AND SHALL NOT BE REPRODUCED OR COPIED OR USED IN WHOLE OR IN PART AS THE BASIS FOR THE MANUFACTURE OR SALE OF ITEMS WITHOUT WRITTEN PERMISSION. THIS IS AN UNPUBLISHED WORK PROTECTED UNDER THE FEDERAL COPYRIGHT LAWS.



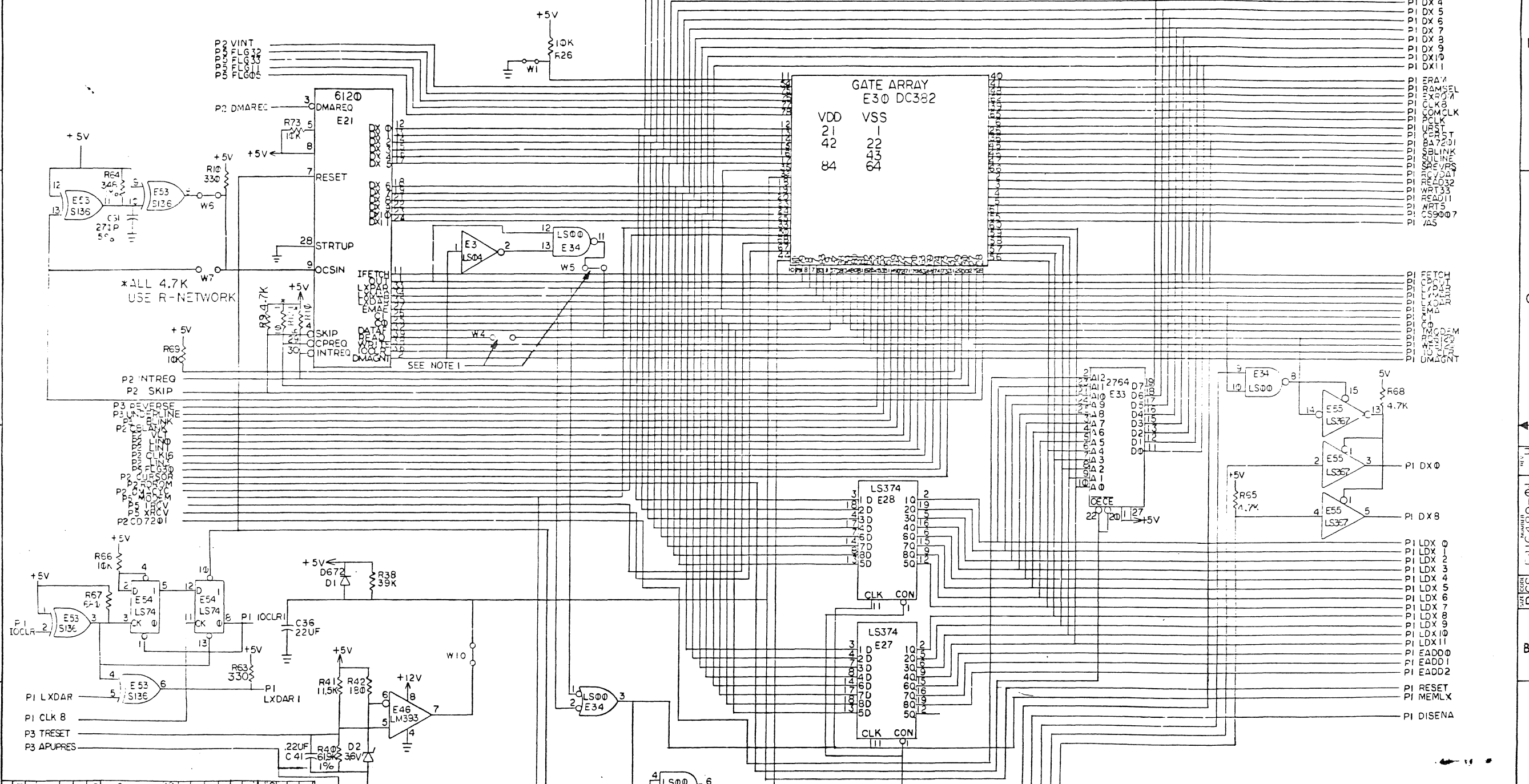
DRN. ECHO JONG	DATE 5-12-84	TITLE DMIII SYSTEM BOARD	
CHK'D LA HSU	DATE 5-12-84	DOCUMENT NUMBER	
DES. ENG. CK LIAO	DATE 5-12-84	SIZE B	CODE DD
RESP. ENG. SL CHIANG	DATE 5-12-84	NUMBER 5416489-0	
MFG. ENG. J ROGICH	DATE 7-17-84	REV M	
SHEET 1 OF 2			



DRAWING NO.	NO. OF SHTS.	PART NO.	DESCRIPTION	REVISIONS															
				E1	E1	E2	E1	E2											
		5416489-01	DM3 SYSTEM BOARD	E1	E1	E2	E1	E2											
D-UA-5416489 0-0			DM3 SYSTEM BOARD UNIT ASSY	INA	INA	INA	INA	INA											
K-PL-5416489-0-DBP			DM3 SYSTEM BOARD PARTS LIST	INA	INA	INA	INA	INA											
D-EC-5416489-0-0			DM3 SYSTEM BOARD ETCH CUT	INA	INA	INA	INA	INA											
D-CS-5416489-0-1			DM3 SYSTEM BOARD CIRCUIT SCHEMATIC	H	H	H	H	H											
D-UA-5416489-1-0			DM3 SYSTEM BOARD UNIT ASSY	-	-	D	-	D											
K-PL-5416489-1-DBP			DM3 SYSTEM BOARD PARTS LIST	-	-	H	-	J											
D-EC-5416489-1-0			DM3 SYSTEM BOARD ETCH CUT	-	-	B	-	B											
D-UA-5416489-2-0			DM3 SYSTEM BOARD UNIT ASSY	D	D	-	D	-											
K-PL-5416489-2-DBP			DM3 SYSTEM BOARD PARTS LIST	F	H	-	J	-											
D-EC-5416489-2-0			DM3 SYSTEM BOARD ETCH CUT	B	B	-	B	-											
		5016488-01	ETCHED CIRCUIT BOARD	D3	D3	D2	D3	D2											
B-DD-5016488-0			DRAWING DIRECTORY	INA	INA	INA	INA	INA											
D-MD-5016488-0-0			DM3 SYSTEM BOARD CIRCUIT DRILL&ETCH	E	E	C	E	C											
NOTES:				REVISION HISTORY	REV.	K	L	L	M	M									
				DATE	ECO NO.	9/85	TA007	3/86	ML008	3/86	ML008	12/86	ML009	12/86	ML009				
				TITLE DMIII SYSTEM BOARD								DOCUMENT NUMBER				REV.			
												SIZE	CODE	NUMBER		SHEET		OF	

THIS DRAWING AND THE SPECIFICATIONS CONTAINED HEREIN ARE CONFIDENTIAL AND PROPRIETARY. THEY ARE THE PROPERTY OF DIGITAL EQUIPMENT CORPORATION AND SHALL NOT BE REPRODUCED OR COPIED OR USED IN WHOLE OR IN PART AS THE BASIS FOR MANUFACTURE OR SALE OF ITEMS WITHOUT WRITTEN PERMISSION. THIS IS AN UNPUBLISHED WORK PROTECTED UNDER THE FEDERAL COPYRIGHT LAW, 1954.

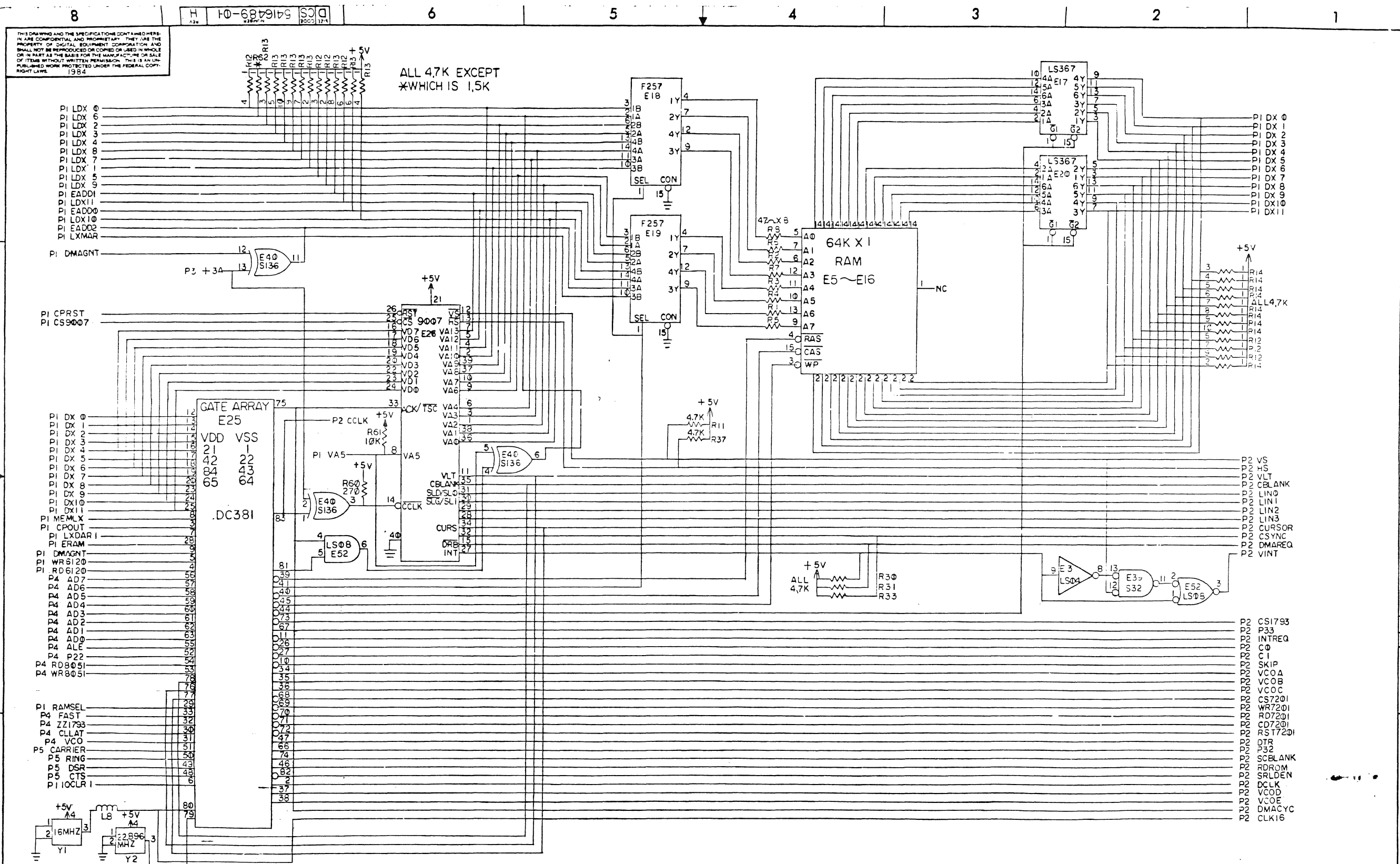
NOTE 1: WHEN E21 IS 2122803-01 INSERT W4, DO NOT INSERT W5
 WHEN E21 IS 2118172-01 INSERT W5, DO NOT INSERT W4



REV.	ECO NUMBER	DATE
B	5416489-1	11/84
C	TA001	12/84
D	TA003	1/85
E	5416489-1A001	1/85
F	5416489-1A006	1/85
G	5416489-1A007	1/85
H	5416489-1A007B	1/85
I	5416489-1A007C	1/85
J	5416489-1A007D	1/85

DESIGNER W. J. WANG	DATE 05-14-84	TITLE digital
CHECKED L. A. HSU	DATE 05-14-84	DM III SYSTEM BD
DESIGN J. KIRK	DATE 05-14-84	
RESP. ENG. J. KIRK	DATE 05-14-84	DOCUMENT NUMBER
WFO ENG. R. B. BROWN	DATE 1-17-84	SIZE CODE D CS 5416489-0-1 H
TOP DOC. NO. B-DD-5416489-0	SCALE	SHEET 1 OF 5

THIS DRAWING AND THE SPECIFICATIONS CONTAINED HEREIN ARE CONFIDENTIAL AND PROPRIETARY. THEY ARE THE PROPERTY OF DIGITAL EQUIPMENT CORPORATION AND SHALL NOT BE REPRODUCED OR COPIED IN WHOLE OR IN PART AS THE BASIS FOR THE MANUFACTURE OR SALE OF ITEMS WITHOUT WRITTEN PERMISSION. THIS IS AN UNPUBLISHED WORK PROTECTED UNDER THE FEDERAL COPYRIGHT LAWS, 1984.

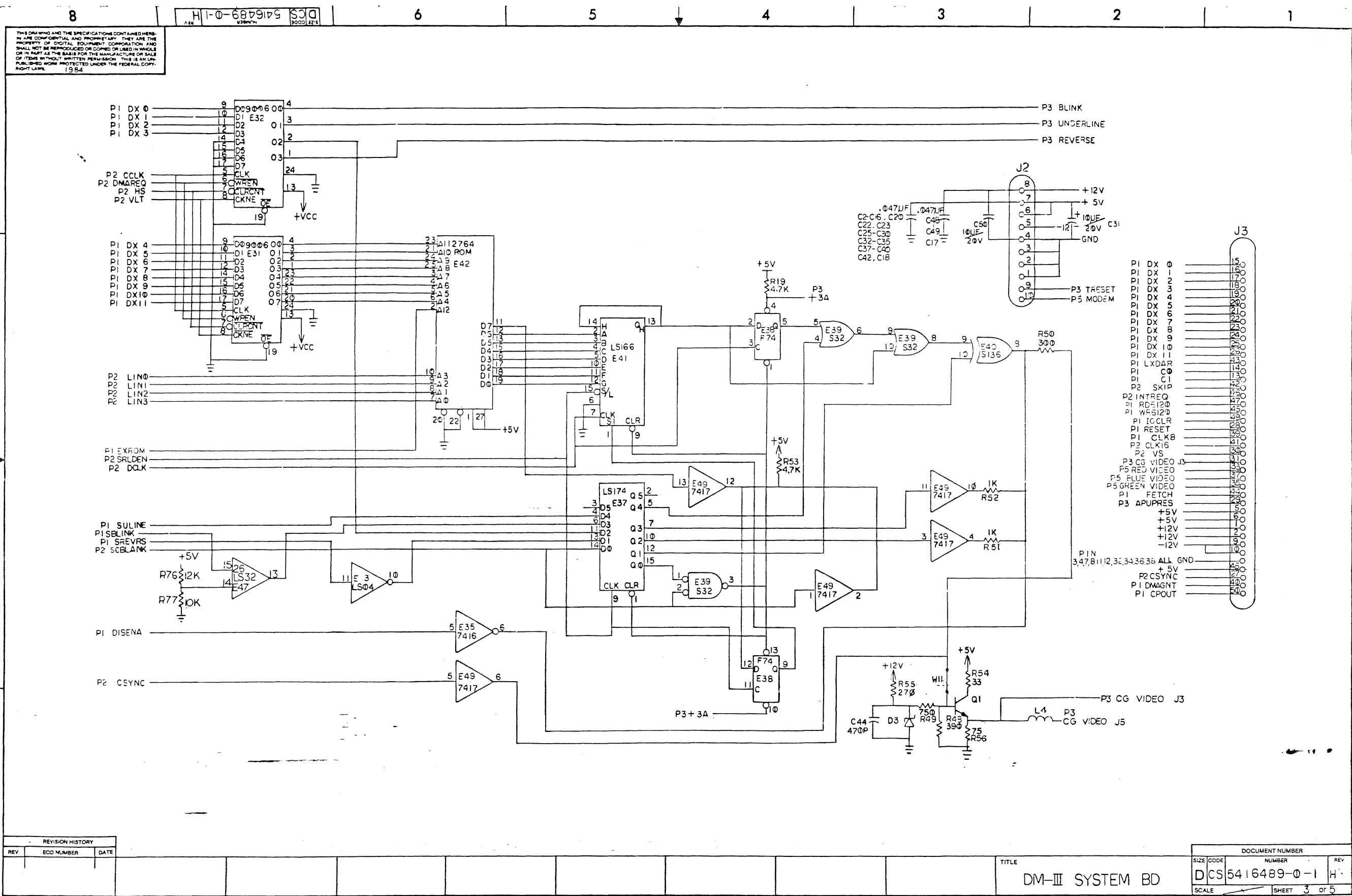


REVISION HISTORY			DOCUMENT NUMBER			
REV.	ECO NUMBER	DATE	SIZE	CODE	NUMBER	REV
			DCS	5416489-0-1	H	
			SCALE	SHEET	2 OF 5	

DM-III SYSTEM BD

3P01

THIS DRAWING AND THE SPECIFICATIONS CONTAINED HEREIN ARE CONFIDENTIAL AND PROPRIETARY. THEY ARE THE PROPERTY OF DIGITAL EQUIPMENT CORPORATION AND SHALL NOT BE REPRODUCED OR COPIED OR USED IN WHOLE OR IN PART AS THE BASIS FOR THE MANUFACTURE OR SALE OF ITEMS WITHOUT WRITTEN PERMISSION. THIS IS AN UNPUBLISHED WORK PROTECTED UNDER THE FEDERAL COPYRIGHT LAWS.



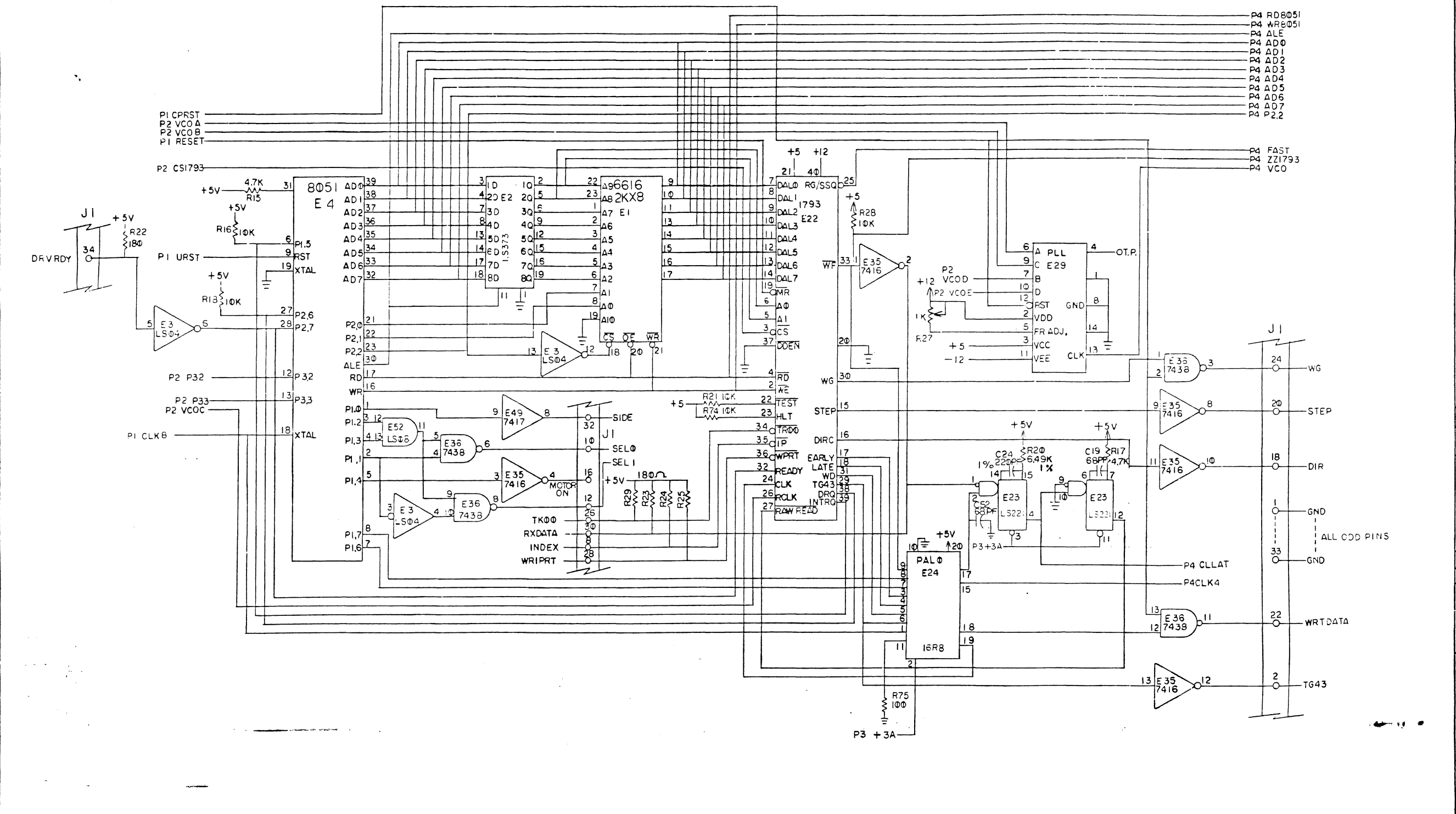
REVISION HISTORY		
REV	ECO NUMBER	DATE

TITLE
DM-III SYSTEM BD

DOCUMENT NUMBER			
SIZE	CODE	NUMBER	REV
D	CS	5416489-0-1	H
SCALE		SHEET 3	OF 5

DRAWING NUMBER: 5416489-0-1 H

THIS DRAWING AND THE SPECIFICATIONS CONTAINED HEREIN ARE CONFIDENTIAL AND PROPRIETARY. THEY ARE THE PROPERTY OF DIGITAL EQUIPMENT CORPORATION AND SHALL NOT BE REPRODUCED OR COPIED OR USED IN WHOLE OR IN PART AS THE BASIS FOR THE MANUFACTURE OR SALE OF ITEMS WITHOUT WRITTEN PERMISSION. THIS IS AN UNPUBLISHED WORK PROTECTED UNDER THE FEDERAL COPYRIGHT LAWS. 1974



REVISION HISTORY		
REV	ECO NUMBER	DATE

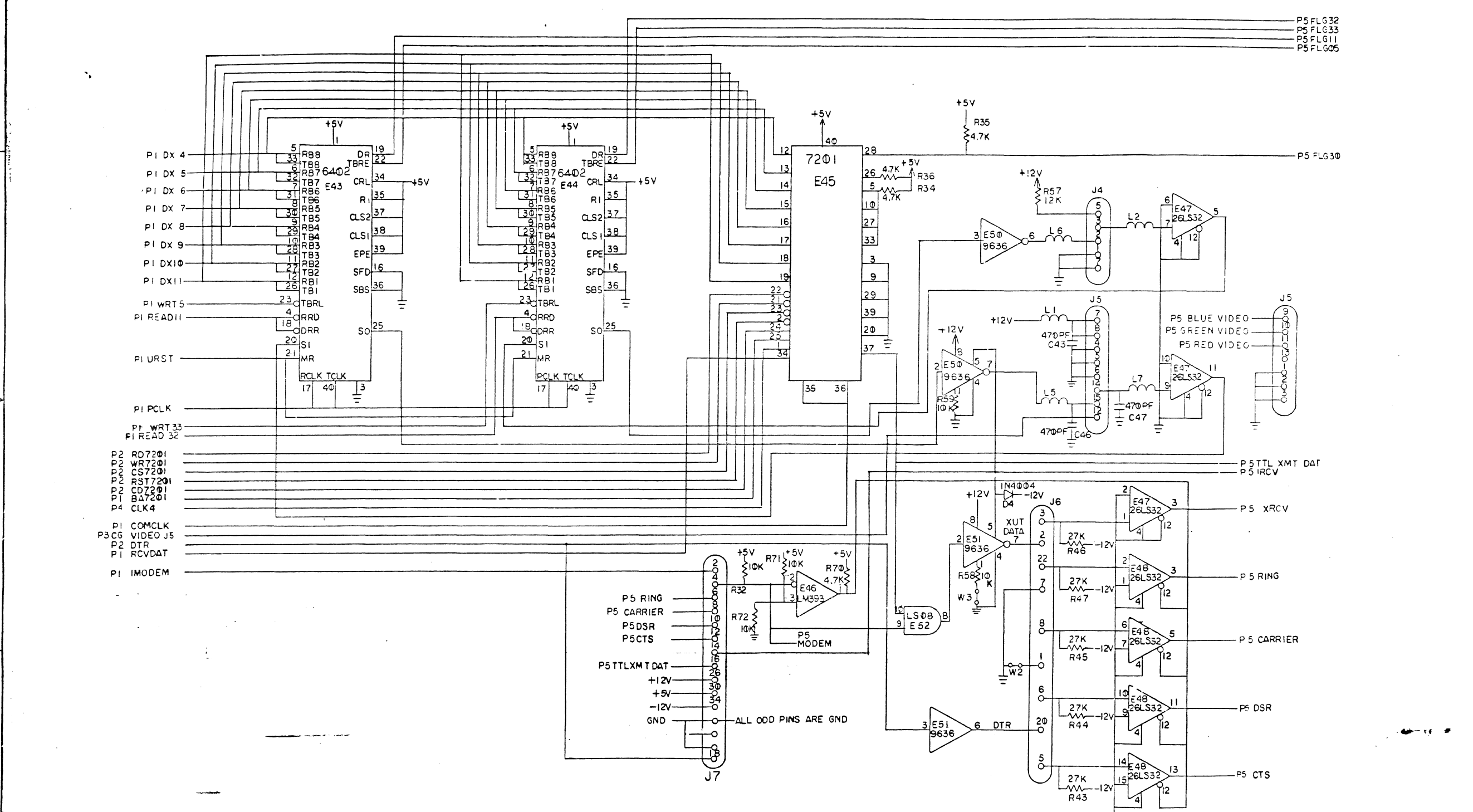
DOCUMENT NUMBER			
SIZE	CODE	NUMBER	REV
DCS		5416489-0-1	H
SCALE		SHEET 4 OF 5	

DRD 138C
EN-0128-1A-REV A (3/8)

TITLE
DM-III SYSTEM BD.

1

THIS DRAWING AND THE SPECIFICATIONS CONTAINED HEREIN ARE CONFIDENTIAL AND PROPRIETARY. THEY ARE THE PROPERTY OF DIGITAL EQUIPMENT CORPORATION AND SHALL NOT BE REPRODUCED OR COPIED OR USED IN WHOLE OR IN PART AS THE BASIS FOR THE MANUFACTURE OR SALE OF ITEMS WITHOUT WRITTEN PERMISSION. THIS IS AN UNPUBLISHED WORK PROTECTED UNDER THE FEDERAL COPYRIGHT LAWS, 1954.



REVISION HISTORY		
REV	ECO NUMBER	DATE

TITLE
DM-III SYSTEM BD

DOCUMENT NUMBER		
SIZE	NUMBER	REV
DCS	5416489-0-1	1
SCALE	SHEET 5	OF 2

DRAWING NO.	NO. OF SHTS.	PART NO.	DESCRIPTION	REVISIONS															
				A1	B1														
		5416506-01	DM3 ADAPTOR BOARD	A1	B1														
D-UA-5416506-0-0			DM3 ADAPTOR BOARD UNIT ASSEMBLY	B	INA														
D-UA-5416506-1-0			DM3 ADAPTOR BOARD UNIT ASSEMBLY		A														
D-CS-5416506-0-1			DM3 ADAPTOR BD. CIRCUIT SCHEMATIC	B	C														
K-PL-5416506-0-DBP			DM3 ADAPTOR BOARD PART LIST	B	INA														
K-PL-5416506-1-DBP			DM3 ADAPTOR BOARD PART LIST		A														
		5016505-01	ETCH CIRCUIT BOARD	B1	C1														
B-DD-5016505-0			DRAWING DIRECTORY	B	C														

NOTES:

REVISION HISTORY		DATE	ECO NO.	REV.
	B	5/84	INIT	B
	C	1/85	5416506- TA001	C

THIS DRAWING AND THE SPECIFICATIONS CONTAINED HEREIN ARE CONFIDENTIAL AND PROPRIETARY. THEY ARE THE PROPERTY OF DIGITAL EQUIPMENT CORPORATION AND SHALL NOT BE REPRODUCED OR COPIED OR USED IN WHOLE OR IN PART AS THE BASIS FOR THE MANUFACTURE OR SALE OF ITEMS WITHOUT WRITTEN PERMISSION. THIS IS AN UNPUBLISHED WORK PROTECTED UNDER THE FEDERAL COPYRIGHT LAWS.



DRN.	ECHO JONG	DATE	5-14-84
CHK'D	LA HSU	DATE	5-14-84
DES. ENG.	C K LIAO	DATE	5-14-84
RESP. ENG.	S L CHIANG	DATE	5-14-84
MFG. ENG.	J. ROGICH	DATE	7-17-84

TITLE			
DMIII ADAPTOR BOARD			
DOCUMENT NUMBER			
SIZE	CODE	NUMBER	REV.
B	DD	5416506-0	C
SHEET 1 OF 1			

8

REV A 5416506-1-0

6

5

4

3

2

1

THIS DRAWING AND THE SPECIFICATIONS CONTAINED HEREIN ARE CONFIDENTIAL AND PROPRIETARY. THEY ARE THE PROPERTY OF DIGITAL EQUIPMENT CORPORATION AND SHALL NOT BE REPRODUCED OR COPIED OR USED IN WHOLE OR IN PART AS THE BASIS FOR MANUFACTURE OR SALE OF ITEMS WITHOUT WRITTEN PERMISSION. THIS IS AN UNPUBLISHED WORK PROTECTED UNDER THE FEDERAL COPYRIGHT LAWS.

1984

D

D

C

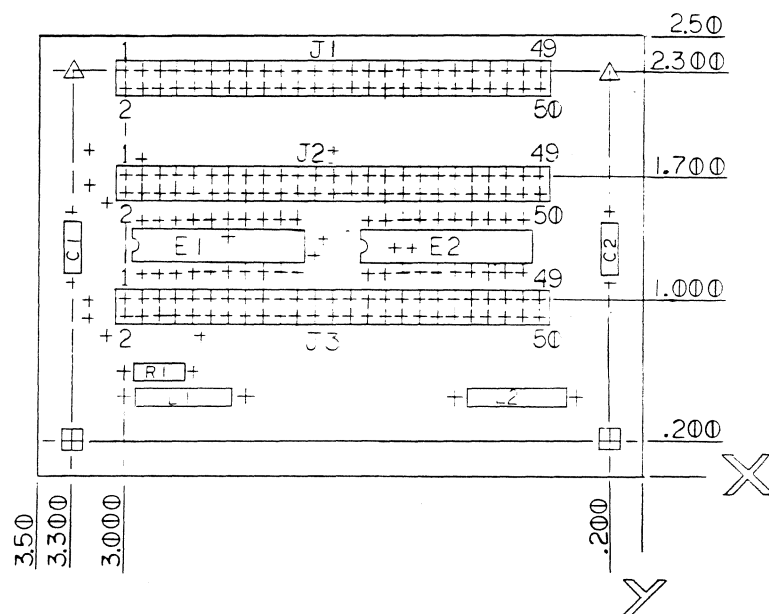
C

B

B

A

A



2.700 REF.
1.700 REF.

H MASTER ZERO

REV.	ECO NUMBER	DATE
A	INT REL	

DWG 100F

UNLESS OTHERWISE SPECIFIED DIMENSIONS ARE IN INCHES AND THE FOLLOWING TOLERANCES APPLY (PER DEC STD 114)	INCHES TOLERANCES	ANGLES ± 0°30'	APPLICABLE DIMENSION RANGE	DIMENSION RANGE IN INCHES					
	.X = ± .1 .XX = ± .02 .XXX = ± .005	SURFACE QUALITY	(CHECK ONE)	OVER 0 TO 0.2	OVER 0.2 TO 1.2	OVER 1.2 TO 4.0	OVER 4.0 TO 12.0	OVER 12.0 TO 40.0	OVER 40.0 TO 50.0
QUANTITY & VARIATION	✓	✓	<input type="checkbox"/>	<input type="checkbox"/>	<input type="checkbox"/>	<input type="checkbox"/>	<input type="checkbox"/>	<input type="checkbox"/>	<input type="checkbox"/>
THIRD ANGLE PROJECTION	DRN	DATE	TITLE						
DO NOT SCALE DRAWING	CHK'D	DATE	DM III						
REMOVE BURRS AND BREAK SHARP CORNERS	DES. ENG.	DATE	ADAPTOR BOARD						
MATERIAL	RESP. ENG.	DATE	DOCUMENT NUMBER						
SEE PARTS LIST	MFG. ENG.	DATE	DUA 5416506-1-0 A						
FINISH	TOP. DOC. NO.		SCALE 2/1 SHEET 1 OF 1						

BPI

LINE	ITEM	TOP DOCUMENT	PART NUMBER	MIN REV	DESCRIPTION	QTY PER VARIATION	REFERENCE DESIGNATOR
					VARIATION REVISION LEVEL:	01 B1	
1	1	B-DD-5016505-0	5016505-01	C	CIRCUIT DRILL & ETCH	1	
2	2		1012784-00		.047 MFD 50V +80-20% CER	2	C1,C2
3	3		1216655-05		CARD EDGE 50PIN(2X25).100CC STR	2	J2,J3
4	4		1223347-01		PCB HEADER 50PIN 90D	1	J1
5	5		1300447-00		4.70 K .25 W 5.0 % CF	1	R1
6	6		2123369-01		74ACT245 OCTAL BUS TRANSCEIV	2	E1,E2
7	7		3618460-01	B	LABEL,BAR CODE BLANK .38 X1.5	1	
8	8	SEE NOTE 1.	1618238-02		BEAD,FERRITE .1380DX.330LG	2	L1,L2

9 NOTE: 1. THE "MIN PART REV" SPECIFIED FOR THE 50-CLASS PART IS THE ONLY ALPHA REV THAT MAY BE USED.

REVISION HISTORY			BASIC PART NO: 5416506			D I G I T A L		
ENG	ECO NUMBER	REV	SECTION A OF A	DRN:	E. NOURIE	DATE:	14-MAY-84	
---	INITIAL	A	SECTION VARIATION INDEX	CHK'D:	P. SULLIVAN	DATE:	14-MAY-84	TITLE PARTS LIST DMIII ADAPTOR BOARD
			[A] 01	DES.ENG:	C.S.LEE	DATE:	14-MAY-84	DOCUMENT NUMBER
			[B]	RESP.ENG.:	L. JEAN	DATE:	14-MAY-84	SIZE CODE NUMBER REV
			[C]	MFG.ENG.:	J. ROGICH	DATE:	14-MAY-84	K PL 5416506-1-DBP A
			[D]	ASSEMBLY NUMBER:	D-UA-5416506-1-0	TOP DOCUMENT NUMBER:	#B-DD-5416506-0	RELEASE DATE: 15-FEB-85
			[E]			FILE NAME:	ML37A.PLS	EDIT #
			[F]					16
			[G]					
			[H]					
			[I]					
			[J]					
			[K]					
			[L]					
			[M]					
			[N]					

"THIS DRAWING AND THE SPECIFICATIONS CONTAINED HEREIN ARE CONFIDENTIAL AND PROPRIETARY. THEY ARE THE PROPERTY OF DIGITAL EQUIPMENT CORPORATION AND SHALL NOT BE REPRODUCED OR COPIED OR USED IN WHOLE OR IN PART AS THE BASIS FOR THE MANUFACTURE OR SALE OF ITEMS WITHOUT WRITTEN PERMISSION. THIS IS AN UNPUBLISHED WORK PROTECTED UNDER THE FEDERAL COPYRIGHT LAWS."

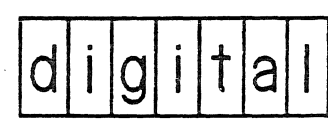
DRAWING NO.	NO. OF SHTS.	PART NO.	DESCRIPTION	REVISIONS															
				A1	B1	B1	B1												
		BA25-HA	SMALL SYSTEM BOX (120 V)	A1	B1	B1	B1												
		BA25-HB	SMALL SYSTEM BOX (240V)	A1	B1	B1	B1												
E-UA-BA25-H-DBU	1		UNIT ASSY	B	C	C	D												
K-PL-BA25-H-DBP	1		PART LIST	B	C	D	E												
		BA25-HC	SMALL SYSTEM BOX W/RD31-A (120V)				A1												
		BA25-HD	SMALL SYSTEM BOX W/RD31-A (240V)				A1												

NOTES:

FILE NAME: DD-BA25-H-DBUE

REVISION HISTORY		REV.
DATE	ECO NO.	INIT REL
12/84	BA25-H-TA001	B
6/84	BA25-H-TA002	C
3/87	BA25-H-ML003	D
		E

THIS DRAWING AND THE SPECIFICATIONS CONTAINED HEREIN ARE CONFIDENTIAL AND PROPRIETARY. THEY ARE THE PROPERTY OF DIGITAL EQUIPMENT CORPORATION AND SHALL NOT BE REPRODUCED OR COPIED OR USED IN WHOLE OR IN PART AS THE BASIS FOR THE MANUFACTURE OR SALE OF ITEMS WITHOUT WRITTEN PERMISSION. THIS IS AN UNPUBLISHED WORK PROTECTED UNDER THE FEDERAL COPYRIGHT LAWS.



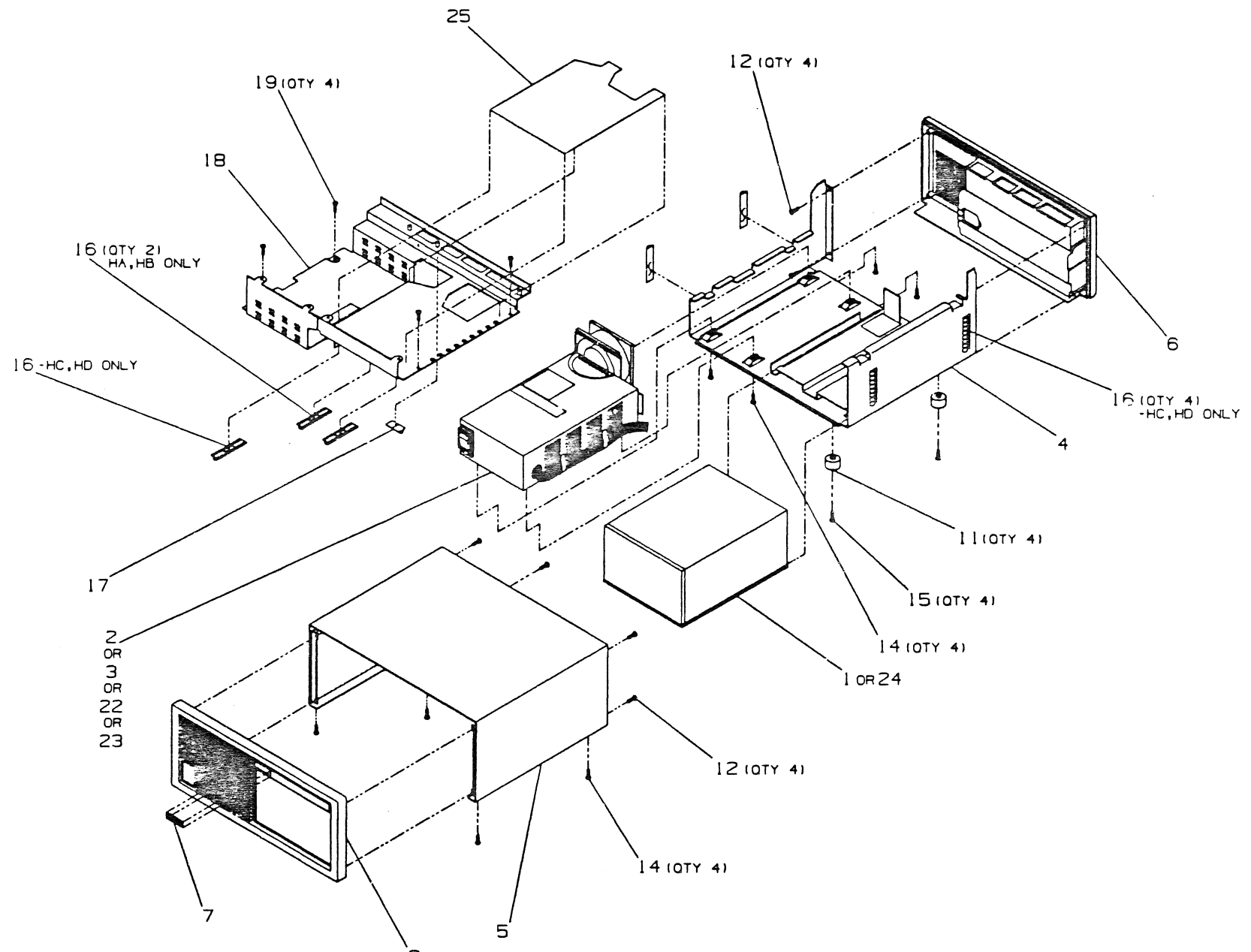
DRN. R. G. WEI	DATE 5-14-84	TITLE
CHK'D O. LIN	DATE 5-14-84	SMALL SYSTEM BOX
DES. ENG. O. LIN	DATE 5-14-84	SIZE CODE B DD
RESP. ENG. S. Y. CHEN	DATE 5-14-84	NUMBER BA25-H-DBU
MFG. ENG. G. WU	DATE 7-30-84	REV. E
		SHEET 1 OF 1

DEB 129C EN-01242-18-REV A (398)

THIS DRAWING AND THE SPECIFICATIONS CONTAINED HEREIN ARE THE PROPERTY OF THE UNITED STATES GOVERNMENT AND ARE LOANED TO YOU BY THE NATIONAL BUREAU OF STANDARDS. IT IS TO BE USED FOR THE PURPOSES AUTHORIZED BY THE ORIGINAL CONTRACT. IT IS TO BE RETURNED TO THE NATIONAL BUREAU OF STANDARDS, 4TH FLOOR, GAITHERSBURG, MARYLAND 20899.

LEGEND		
PART NO.	REV	VARIATION
BA25-HA	B1	AS SHOWN
BA25-HB	B1	AS SHOWN
BA25-HC	A1	AS SHOWN
BA25-HD	A1	AS SHOWN

- NOTES:
- ASSEMBLE FRONT BEZEL (ITEM 8) TO TOP COVER (ITEM 5), AND THE REAR BEZEL ASSY (ITEM 6) TO THE BASE CHASSIS ASSY (ITEM 4) PRIOR TO ASSEMBLING THE REST OF THE UNIT.
 - TO REMOVE DISK DRIVE (ITEM 1), DEPRESS SPRING TAB (PART OF ITEM 4) AND SLIDE DISK DRIVE FORWARD.
 - ASSEMBLE THUMB SCREW (ITEM 13) AND RETAINER RING (ITEM 10) PRIOR TO ASSEMBLING TO BASE CHASSIS ASSY (ITEM 4).
 - ALL SCREWS TO BE TORQUED TO 4-5 IN-LBS.



PLOT AT .3333

FILE NAME: BA25-H-DBUD

CAUTION: OFF SHEET PARTS LIST EXISTS
SEE K-PL-BA25-H-DBP
(Z9955)

REV.	DATE	BY	CHKD.
B	10-MAY-87	JSE	BITTO
A	10-MAY-87	JSE	BITTO
C	9-JUN-85	PA	SULLIVAN
D	10-MAY-87	D	H
E	10-MAY-87	PA	SULLIVAN
F	9-JUN-85	PA	SULLIVAN
G	9-JUN-85	PA	SULLIVAN
H	9-JUN-85	PA	SULLIVAN
I	9-JUN-85	PA	SULLIVAN
J	9-JUN-85	PA	SULLIVAN

DESCRIPTION	DRAWING NO.	PART NO.	REV.
UNLESS OTHERWISE SPECIFIED DIMENSIONS ARE IN INCHES AND THE FOLLOWING TOLERANCES APPLY (PER DEC STD 4MM)			
DIMENSION RANGE IN INCHES			
UP TO .125	.125 TO .250	.250 TO .375	.375 TO .500
±.004	±.005	±.006	±.008
±.004	±.005	±.006	±.008
±.004	±.005	±.006	±.008
±.004	±.005	±.006	±.008
SMALL SYSTEM BOX			
TITLE			
SMALL SYSTEM BOX			
DRAWN BY: R.G. MELI			
CHECKED BY: O. LIM			
DATE: MAY-08-84			
SCALE: 3/1			
MATERIAL: SEE PARTS LIST			
FINISH: SEE PARTS LIST			
DRAWN BY: R.G. MELI			
CHECKED BY: O. LIM			
DATE: MAY-08-84			
SCALE: 3/1			
DRAWN BY: R.G. MELI			
CHECKED BY: O. LIM			
DATE: MAY-08-84			
SCALE: 3/1			
DRAWN BY: R.G. MELI			
CHECKED BY: O. LIM			
DATE: MAY-08-84			
SCALE: 3/1			

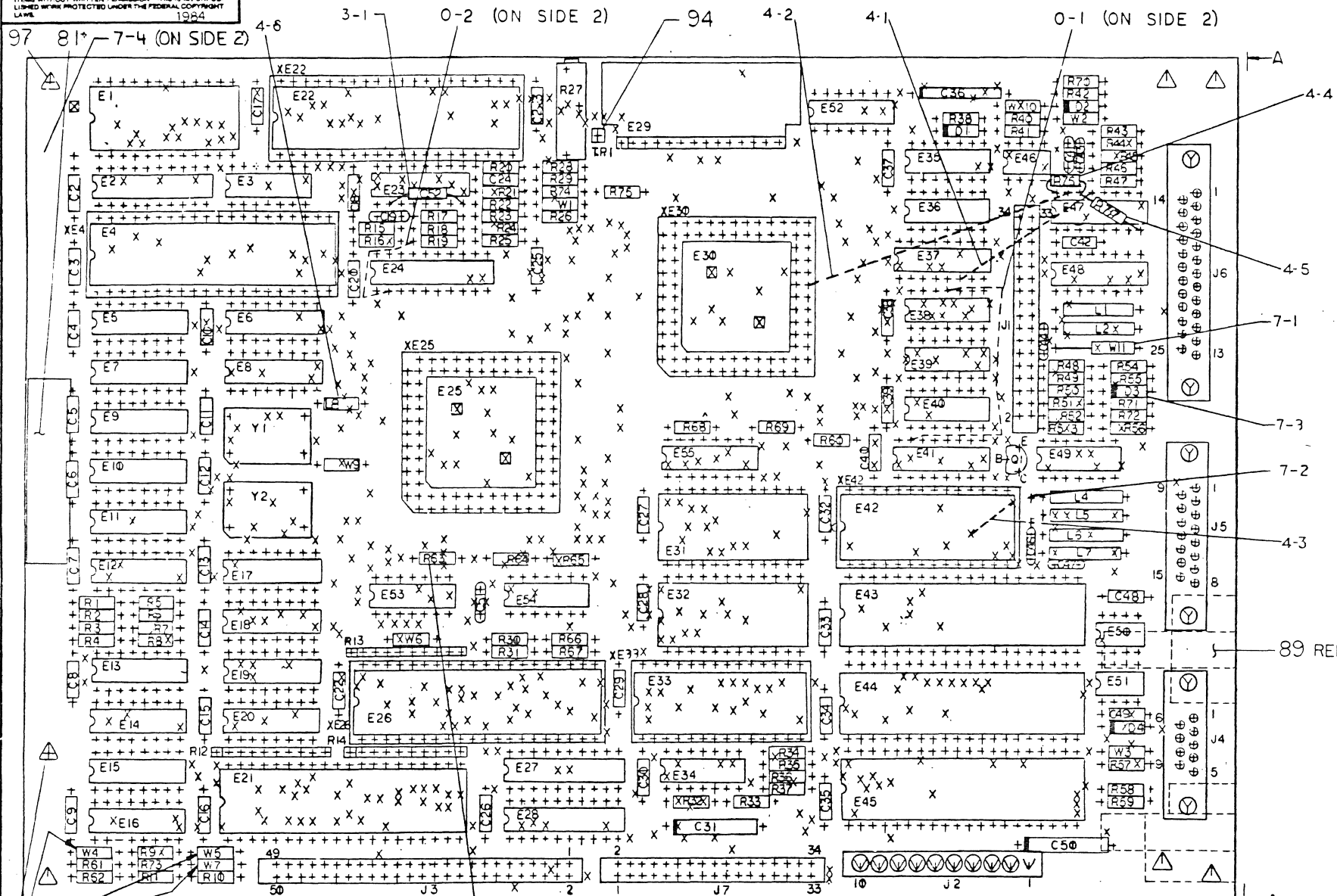
LINE ITEM	TOP DOCUMENT	PART NUMBER	MIN REV	DESCRIPTION	QUANTITY PER VARIATION/REVISION			
					HA B1	HB B1	HC A1	HD A1
1	1 B-DD-RX50-0	RX50 -AA	A	DUAL 5.25" SINGLE SIDED FLOPPY DRI	1	1	-	-
2	2 B-DD-H7845-0	H7845-AA	A	120V SMALL SYS PWR SUP: 78 WATT,+5	1	-	-	-
3	3 B-DD-H7845-0	H7845-AB	A	240V SMALL SYS PWR SUP: 78 WATT,+5	-	1	-	-
4	4 D-IA-7021515-0-0	70-21515-01	A	BASE CHASSIS ASSY.	1	1	1	1
5	5 D-IA-7021516-0-0	70-21516-01	C	TOP COVER ASSY.	1	1	1	1
6	6 D-IA-7021953-0-0	70-21953-01	A	REAR BEZEL ASSY	1	1	1	1
7	7 C-MD-7427428-0-0	74-27428-01	A	LOGO,DIGITAL,METAL	1	1	1	1
8	8 D-MD-7429686-0-0	74-29686-01	B	BEZEL,FRONT	1	1	1	1
9	9 D-IA-7429787-0-0	74-29787-01	A	*** THIS ITEM IS NOT USED ***	-	-	-	-
10	10	90-09273-01	D	RING,RETAINER EXTERNAL FOR .125SH	4	4	-	-
11	11	90-10545-01	A	BUMPER,MOLDED RUBBER	4	4	4	4
12	12	90-09708-00	B	SCREW,THD RL,PAN PHIL F/METAL 6	8	8	8	8
13	13	90-10525-01	A	*** THIS ITEM IS NOT USED ***	-	-	-	-
14	14	12-23597-01	A	SCREW,SEM PAN 6-32 EXT T	8	8	8	8
15	15	12-23598-01	A	SCREW,PAN, WASHER 6-32	4	4	4	4
16	16	12-20580-05	A	SHIELD,EMI/RFI FINGERS 7POS .512W	2	2	5	5
17	17	12-20580-26	A	SHIELD,EMI/RFI,FINGERS 02POS	1	1	1	1
18	18 D-IA-7429787-0-0	74-29787-02	A	CHASSIS,INTERMEDIATE	1	1	1	1
19	19	90-10601-01	A	SCREW,CAPTIVE PHIL/SLOT 6-32	4	4	4	4
20	20 SEE NOTE 1	H7845-BA	A	120V SMALL SYS PWR SUP: 85 WATT,+5	A/R	-	-	-
21	21 SEE NOTE 2	H7845-BB	A	240V SMALL SYS PWR SUP: 85 WATT,+5	-	A/R	-	-
22	22	H7849-AA	A	DECMATE III+ PS:120V 104W,5.1V 10A	-	-	1	-
23	23	H7849-AB	A	H7849-AA EXCEPT 240V	-	-	-	1
24	24	70-24040-01	A	DRIVE ASSY	-	-	1	1
25	25	74-33986-01	A	INSULATOR,WINI	-	-	1	1

1 GEN: 1. H7845-BA IS AN ACCEPTABLE ALTERNATE FOR H7845-AA
 2 GEN: 2. H7845-BB IS AN ACCEPTABLE ALTERNATE FOR H7845-AB

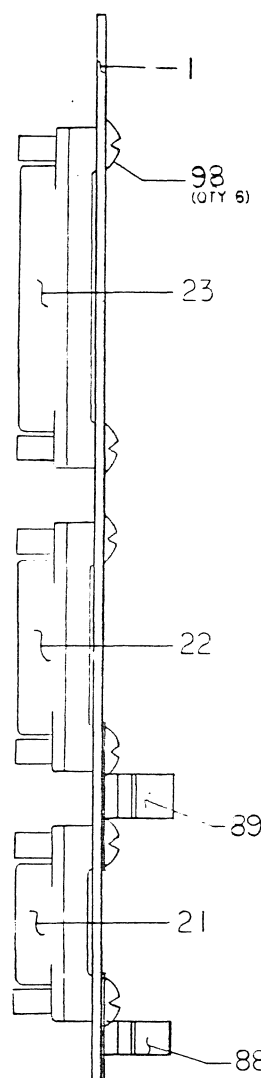
REVISION HISTORY			KPL MATRIX FORMAT SECTION A OF A		DRN: T.WILSON/RG.WEI	DIGITAL				
ENG	ECO NUMBER	REV	SECTION/VARIATION INDEX		DATE: 08-MAY-84					
---	INITIAL	B	[A]	HA,HB,HC,HD	CHK'D: 0. LIN	TITLE PARTS LIST				
GW	BA25-H-TA001	C	[B]		DATE: 08-MAY-84	SMALL SYSTEM BOX				
GW	BA25-H-TA002	D	[C]		DES.ENG: 0. LIN					
JB	BA25-H-ML003	E	[D]		DATE: 08-MAY-84	DOCUMENT NUMBER				
			[E]			SIZE	CODE	NUMBER	REV	
			[F]		RESP.ENG.: SY. CHEN	K	PL	BA25-H-DBP	E	
			[H]		DATE: 08-MAY-84					
			[J]		MFG.ENG: G. WU	RELEASE DATE: 25-MAR-87				
					DATE: 08-MAY-84	RELEASE STATUS: RELEASED				
			BASIC PART NUMBER:	ASSEMBLY NUMBER:	TOP DOCUMENT NUMBER:	FILE NAME:		EDIT #		
			EA25	E-UA-BA25-H-DBU	B-DD-BA25-H-DBU	Z9955E.PLS		1		

"THIS DRAWING AND THE SPECIFICATIONS CONTAINED HEREIN ARE CONFIDENTIAL AND PROPRIETARY. THEY ARE THE PROPERTY OF DIGITAL EQUIPMENT CORPORATION AND SHALL NOT BE REPRODUCED OR COPIED OR USED IN WHOLE OR IN PART AS THE BASIS FOR THE MANUFACTURE OR SALE OF ITEMS WITHOUT WRITTEN PERMISSION. THIS IS AN UNPUBLISHED WORK PROTECTED UNDER THE FEDERAL COPYRIGHT LAWS."

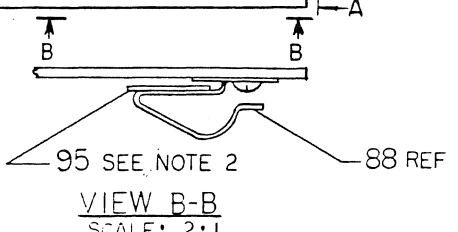
THIS DRAWING AND THE SPECIFICATIONS CONTAINED HEREIN ARE CONFIDENTIAL AND PROPRIETARY. THEY ARE THE PROPERTY OF DIGITAL EQUIPMENT CORPORATION AND SHALL NOT BE REPRODUCED OR COPIED OR USED IN WHOLE OR IN PART AS THE BASIS FOR MANUFACTURE OR SALE OF ITEMS WITHOUT WRITTEN PERMISSION. THIS IS AN UNPUBLISHED WORK PROTECTED UNDER THE FEDERAL COPYRIGHT LAWS.



- NOTES:
- W7 IS NOT INSERTED
 - WHEN ASSEMBLING, THE PAD SHOULD OVER HANG THE EDGE OF THE GROUNDING CLIP
 - WHEN E21 IS 2122803-01 INSERT W4, WHEN E21 IS 2118172-01 INSERT W5.



CAUTION: OFF SHEET PARTS LIST EXIST SEE K-PL-5416489-1 D5P (ML573)



SEE NOTE 1 AND 3
97 REF

REV	ECO NUMBER	DATE	BY	CHKD	DATE
A	INT REL PER 5416489-1A001	1/84	TA001		
B	5416489-1A003	2/85	TA003		
C	5416489-1A004	5/85	TA004		
D	5416489-1A007	7/85	TA007		

DESCRIPTION		DRAWING NO.	PART NO.	ITEM NO.			
UNLESS OTHERWISE SPECIFIED DIMENSIONS ARE IN INCHES AND THE FOLLOWING TOLERANCES APPLY (PER DEC STD 114)							
INCHES TOLERANCES	ANGLES ±0°30'	APPLICABLE DIMENSION RANGE (CHECK ONE)	DIMENSION RANGE IN INCHES				
			OVER 0 TO 0.2	OVER 0.2 TO 0.5	OVER 0.5 TO 1.0	OVER 1.0 TO 4.0	OVER 4.0 TO 8.0
QUANTITY & VARIATION	SURFACE QUALITY	MICROINCHES					
X = ± 1	✓	± 0.004					
.XX = ± 0.02		± 0.006					
.XXX = ± 0.005		± 0.012					
		± 0.018					
		± 0.024					
		± 0.030					
THIRD ANGLE PROJECTION	DATE 27-Nov-84	TITLE digital					
DO NOT SCALE DRAWING	DATE 27-Nov-81	DM III SYSTEM BOARD					
REMOVE BURRS AND BREAK SHARP CORNERS	DATE 29-Nov-77	DOCUMENT NUMBER					
MATERIAL SEE PARTS LIST	DATE 29-Nov-77	SIZE CODE	NUMBER	REV			
FINISH	DATE 24-Nov-76	DUA	5416489-1-0	0			
	TOP DOC. NO. B-DD-5416489-0	SCALE	2/1	SHEET 1 OF 2			

THIS DRAWING AND THE SPECIFICATIONS CONTAINED HEREIN ARE CONFIDENTIAL AND PROPRIETARY. THEY ARE THE PROPERTY OF DIGITAL EQUIPMENT CORPORATION AND SHALL NOT BE REPRODUCED OR COPIED IN WHOLE OR IN PART AS THE BASIS FOR THE MANUFACTURE OR SALE OF ITEMS WITHOUT WRITTEN PERMISSION. THIS IS AN UNPUBLISHED WORK PROTECTED UNDER THE FEDERAL COPYRIGHT LAWS.

DUA5416489-1-0

REWORK INSTRUCTIONS
WIRE ADD SIDE 2 AS SHOWN (ITEM 92)

0-1 FROM E38-11 TO E41-15

0-2 FROM R19 TO E24-2

CAPACITOR ADD SIDE 1 AS SHOWN (ITEM 2) TO BE C52

3-1 BETWEEN E23-2 AND E23-8

WIRE ADD SIDE 2 AS SHOWN (ITEM 92)

4-1 FROM E37-6 TO E47-13

4-2 FROM E47-15 TO E30-45

4-3 FROM J3-31 TO Q1 EMITTER

RESISTORS ADD SIDE 1 AS SHOWN

4-4 BETWEEN E47-14 AND E47-16 (ITEM 32) TO BE R76

4-5 BETWEEN E47-8 AND E47-14 (ITEM 31) TO BE R77

BEAD ADD SIDE 1 AS SHOWN (ITEM 46)

4-6 W8 IS REPLACED WITH A BEAD TO BE L8

6-1 REMOVE R63 PART NO. 1301424-00, ADD R63 PART NO. 1300295-00

7-1 L3 IS REPLACED WITH JUMPER (ITEM 84) TO BE W11

7-2 REMOVE C45

7-3 REMOVE D3 PART NO. 1110994-00, ADD D3 PART NO. 1105873-00

7-4 REMARK 5416489-01 REV D2 TO 5416489-01 REV E2

REVISION HISTORY		
REV.	ECO NUMBER	DATE

DOCUMENT NUMBER			
SIZE	CODE	NUMBER	REV.
D	UA	5416489-1-0	D
SCALE		SHEET 2 OF 2	

DRD 131C
EN-0128-16-REVAD99

TITLE
DMIII SYSTEM BOARD

2P71

LINE	ITEM	TOP DOCUMENT	PART NUMBER	MIN REV	DESCRIPTION	QTY	PER VAR/REV	REFERENCE DESIGNATORS
						01		
						E2		
1	1	# SEE NOTE 1	50-16488-01		CIRCUIT DRILL & ETCH	1		
2	2		10-00014-00	68	PFD 100V +/- 5% 200PP	2		C19,C52
3	3		10-00020-00		*** THIS ITEM IS NOT USED ***	-		
4	4		10-00024-00	470	PFD 100V +/- 5% 200PP	4		C43,C44,C46,C47
5	5		10-04813-00	A 10	MFD 20V +/-10% SOL	2		C31,C50
6	6		10-05636-00	A 22	MFD 6.0V +/-10% SOL	1		C36
7	7		10-10274-00		0.22 MFD 50V +80/-20% Z5U C	1		C41
8	8		10-12784-00		0.047MFD 50V +80/-20% Z5U C	37		C2-C18,C20,C22,C23,C25-C30, CONT C32-C35,C37-C40,C42,C48,C49
9	9		10-13466-45	W 220	PFD 50V +/- 1% NPO C	1		C24
10	10		11-05275-00		PIV= 60 IO=300 MA -15NS	1		D1
11	11		11-05796-01		PIV= 400 IO= 1.00A DO-41	1		D4
12	12		11-10994-00		*** THIS ITEM IS NOT USED ***	-		
13	13		11-23596-01	A vZ= 3.6	500MW 1N5989C	1		D2
14	14		12-16655-05	A	CARD EDGE 50PIN(2X25).100CC STR	1		J3
15	15		12-15006-07		SKT,IC 28PIN DIP TIN SOLD	2		XE33,XE42
16	16		12-15006-08		SKT,IC 40PIN DIP TIN SOLD	3		XE4,XE22,XE26
17	17		12-15699-08	A	PCB,HEADER 10POS(1X10).156CC STR	1		J2
18	18		12-18762-00		CONN,P+S 34POS(2X17).100CC	1		J7
19	19		12-19952-01	A	PCB HEADER 34PIN(2X17).100CC STR	1		J1
20	20	SEE NOTE 5	12-21158-02	A	SKT,IC 84PIN CHIP CARRIER	2		XE25,XE30
21	21		12-22893-01	A	CONN,D SUB 9PIN ASSY STR GOLD	1		J4
22	22		12-22893-02	A	CONN,D SUB 15PIN ASSY STR GOLD	1		J5
23	23		12-22893-03	A	CONN,D SUB 25PIN ASSY STR GOLD	1		J6
24	24		13-00197-00		33.0 .25 W 5.0 % CF	1		R54
25	25		13-00202-00	A 47.0	.25 W 5.0 % CF	8		R1-R8
26	26		13-00229-00		100.0 .25 W 5.0 % CF	1		R75
27	27		13-00309-00		390.0 .25 W 5.0 % CF	1		R48
28	28		13-00365-00	1.0 K	.25 W 5.0 % CF	2		R51,R52
29	29		13-00391-00		1.50 K .25 W 5.0 % CF	1		R62
30	30		13-00447-00		4.70 K .25 W 5.0 % CF	16		R9,R11,R15,R17,R19,R30,R31, CONT R33-R37,R53,R65,R68,R70

REVISION HISTORY			KPL MODULE FORMAT		SECTION A OF A		DRN: S. ROBERTS		DIGITAL			
ENG	ECO NUMBER	REV	SECTION/VARIATION INDEX				DATE: 21-NOV-84					
---	INITIAL	A	[A]	01	[M]		CHK'D: P. SULLIVAN	TITLE PARTS LIST				
J R	5416489-TA003	B	[B]		[N]		DATE: 21-NOV-84	DMIII SYSTEM BOARD				
J R	5416489-TA004	C	[C]		[P]		DES.ENG: J.KIRK					
JR	5416489-TA005	D	[D]		[Q]		DATE: 21-NOV-84	DOCUMENT NUMBER				
JR	5416489-TA006	E	[E]		[R]		RESP.ENG.: J.KIRK	SIZE	CODE	NUMBER	REV	
JR	5416489-TA007	F	[F]		[S]		DATE: 21-NOV-84	K	PL	5416489-1-DBP	J	
DP	5416489-ML008	H	[H]		[T]		MFG.ENG: J.ROGICH	RELEASE DATE: 05-JAN-87				
LB	5416489-ML009	J	[J]		[V]		DATE: 21-NOV-84	RELEASE STATUS: RELEASED				
			[K]		[W]							
			[L]		[Y]							
			BASIC PART NUMBER:		ASSEMBLY NUMBER:		TOP DOCUMENT NUMBER:		FILE NAME:		EDIT #	
			5416489		D-UA-5416489-0-0		B-DD-5416489-0		ML573J.PLS		1	

"THIS DRAWING AND THE SPECIFICATIONS CONTAINED HEREIN ARE CONFIDENTIAL AND PROPRIETARY. THEY ARE THE PROPERTY OF DIGITAL EQUIPMENT CORPORATION AND SHALL NOT BE REPRODUCED OR COPIED OR USED IN WHOLE OR IN PART AS THE BASIS FOR THE MANUFACTURE OR SALE OF ITEMS WITHOUT WRITTEN PERMISSION. THIS IS AN UNPUBLISHED WORK PROTECTED UNDER THE FEDERAL COPYRIGHT LAWS."

LINE ITEM	TOP DOCUMENT	PART NUMBER	MIN REV	DESCRIPTION	QTY PER VAR/REV	REFERENCE DESIGNATORS
					01 E2	
31	31	13-00479-00	10.0 K	.25 W 5.0 % CF	16	R16,R18,R21,R26,R28,R32,R59, CONT R59,R61,R66,R69,R71-R74,R77
32	32	13-00488-00	12.0 K	.25 W 5.0 % CF	2	R57,R76
33	33	13-01322-00	180.0	.25 W 5.0 % CF	6	R22-R25,R29,R42
34	34	13-01401-00	750.0	.25 W 5.0 % CF	1	R49
35	35	13-01425-00	300.0	.25 W 5.0 % CF	1	R50
36	36	13-01972-00	270.0	.25 W 5.0 % CF	2	R55,R60
37	37	13-02379-00	75.0	.25 W 5.0 % CF	1	R56
38	38	13-02514-00	39.0 K	.25 W 5.0 % CF	1	R38
39	39	13-02860-00	11.50 K	.25 W 1.0 % RN55D-F10	1	R41
40	40	13-05346-00	27.0 K	.25 W 5.0 % CF	5	R43-R47
41	41	13-09143-07 D	1.0 K	.75 W 10.0 % POT	1	R27
42	42	13-14251-00	61.90 K	.25 W 1.0 % RN55D-F10	1	R40
43	43	13-16395-00	R. NET	4.7K- 9 2.0	3	R12-R14
44	44	13-17399-00 A	6.49 K	.25 W 1.0 % RN55D-F10	1	R20
45	45	15-09338-00	DEC6531B	NPN 310MW SI 40 90 P	1	Q1
46	46	16-18238-02 A	BEAD,FERRITE	.1380DX.330LG	7	L1,L2,L4-L8
47	47	18-11660-41	OSCILLATOR, XTAL	22.896 MHZ	1	Y2
48	48	18-15860-C1	OSCILLATOR, XTAL	16.000 MHZ	1	Y1
49	49	19-09928-00	7416	INVERTER GATE-HEX 1I	1	E35
50	50	19-09929-00	7417	BUFFER GATE-HEX 1INP	1	E49
51	51	19-11219-00	7438	NAND GATE-QUAD 2IN,B	1	E36
52	52	19-21330-01 A	74F257	MUX,QUAD,2-IN	2	E18,E19
53	53	19-12697-00	LS174	FF-D HEX W/CLEAR	1	E37
54	54	19-12799-00 A	LS00	NAND-GATE-QUAD 2IN,P	1	E34
55	55	19-12803-00 B	LS04	INVERTER GATE,HEX	1	E3
56	56	19-12805-00 B	LS08	AND GATE-QUAD 2IN,PO	1	E52
57	57	19-12858-00 C	LS221	ONE SHOT-DUAL,SCHMIT	1	E23
58	58	19-13340-00 A	74S32	OR GATE-QUAD 2IN	1	E39
59	59	19-13471-00 A	LS367	DRIVER,BUS,HEX,TRI-S	3	E17,E20,E55
60	60	19-14156-00 LM	393	VOLT,COMPARATOR DUAL	1	E46
61	61	19-14214-00 C	LS374	FF-D OCTAL EDGE TRIG	2	E27,E28
62	62	19-15123-03 D	26LS32-3	RECEIVER,LINE RS232	2	E47,E48
63	63	19-15219-00	LS373	FF-D OCTAL-TRANSPARE	1	E2
64	64	19-15415-00 D	9636	DRIVER,DUAL,EIA RS-4	2	E50,E51
65	65	19-15758-01 D	LS166	SHIFT REG. 8BIT PARA	1	E41
66	66	19-21314-01 A	74F74	FF-D,DUAL,POS.,EDGE	1	E38
67	67	19-22821-01 A	74S136	EXCLUSIVE OR GATE	2	E40,E53
68	68	21-13937-00 B	UART 125K BUAD		2	E43,E44
69	69	21-17872-01 A	RAM 2KX8 I/O MUXD 20		1	E1
70	70 #SEE NOTE 2	21-18467-02	8264-15	RAM 64K X1,150NS 1	12	E5-E16
71	71	21-18823-00	1793-02	FLOPPY DISK FORMAT	1	E22
72	72	21-18856-00	CONTROLLER,MULTI-PROTOCOL SERIAL		1	E45
73	73	21-20065-01	9007	CONTROLLER,CRT	1	E26
74	74	21-20066-01 A	BUFFER,SINGLE ROW		2	E31,E32
75	75	21-22664-03 A	DC382	GATE ARRAY - JEDEC PKG	1	E30
76	76	21-22665-03 A	DC381	GATE ARRAY - JEDEC PKG	1	E25
77	77 #SEE NOTE 4	21-22803-01 A	6120	MICROPROCESSOR,12-BI	1	E21
78	78	23-8M1 -00 A	M1-01		1	E4
79	79	23-97K5 -00 A	K5-01		1	E24

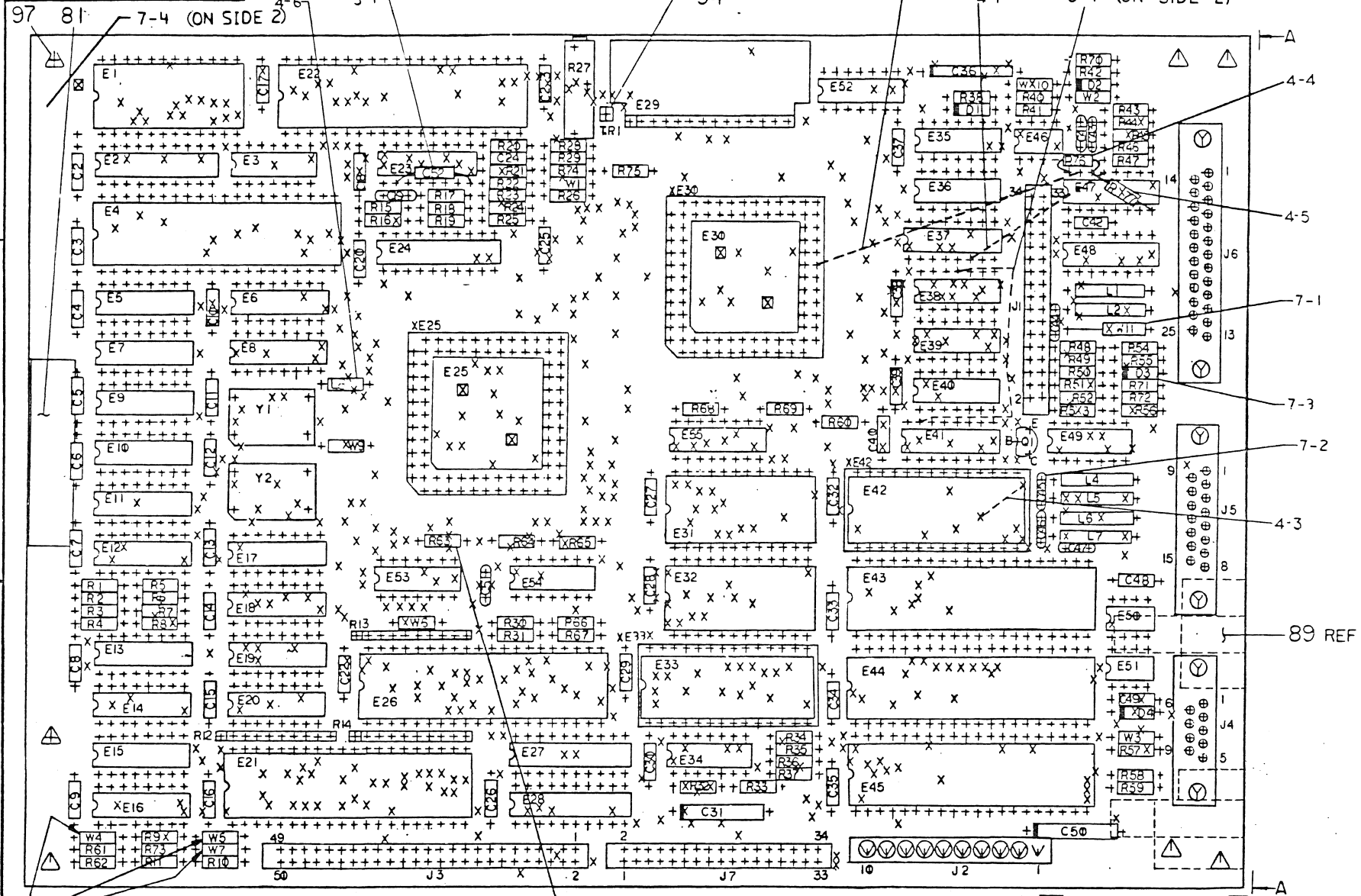
D	I	G	I	T	A	L	TITLE	SECTION A	OF A	SIZE	CODE	DOCUMENT NUMBER	REV
							DMIII SYSTEM BOARD			K	PL	5416489-1-DBP	J

LINE	ITEM	TOP DOCUMENT	PART NUMBER	MIN REV	DESCRIPTION	QTY PER VAR/REV	REFERENCE DESIGNATORS
						01 E2	
80	80	#SEE NOTE 3	23-330E4-00	A E4-06	U	1	E33
81	81		36-18460-01	B LABEL, BAR CODE BLANK	.38 X1.5	1	
82	82		57-22695-01	A HYBRID, ASSY,	CHIP, WIRE P	1	E29
83	83		90-08301-01	A *** THIS ITEM IS NOT USED ***		-	
84	84	#SEE NOTE 4	90-09185-00	B JUMPER, WIRE, INSULATED, BLACK	B	8	W1-W4, W6, W9-W11
85	85		13-00295-00	330.0	.25 W 5.0 % CF	2	R10, R63
86	86		13-04858-00	348.0	.25 W 1.0 % RN55D-F10	1	R64
87	87		13-01424-00	680.0	.25 W 5.0 % CF	1	R67
88	88	C-MD-7430831-0-0	74-30831-01	A CLIP, GROUND W/CUTOUT		1	
89	89	C-MD-7430831-0-0	74-30831-02	A CLIP, GROUND W/O CUTOUT		1	
90	90		19-12824-00	LS74	FF-D DUAL, EDGE TRIGG	1	E54
91	91		23-331E4-00	A E4-06, E4-07	ROM-U	1	E42
92	92		91-05740-55	F WIRE (WRAP)	30AWG KYNAR UL14	A/R	
93	93		91-07750-00	B *** THIS ITEM IS NOT USED ***		-	
94	94		90-09743-00	A POST, WIRE WRAP		1	TP1
95	95	B-MD-7430929-0-0	74-30929-01	A PAD, GROUND CLIP		2	
96	96		10-00022-00	270	PFD 100V +/- 5% 200PP	1	C51
97	97		12-23865-01	A SLEEVE, NYLON		2	
98	98		90-06010-01	A SCREW, MACH PAN PHIL	4-	6	
99	99		11-05873-00	VZ=	5.1 1% .400MW	1	D3
100	100	#SEE NOTE 4	21-18172-01	*** THIS ITEM IS NOT USED ***		-	
101	101	#SEE NOTE 2	21-20549-02		64K MOS RAM 150NS	1	A/R
102	102	#SEE NOTE 3	23-371E4-00	E4-06, E4-07, E4-11		A/R	

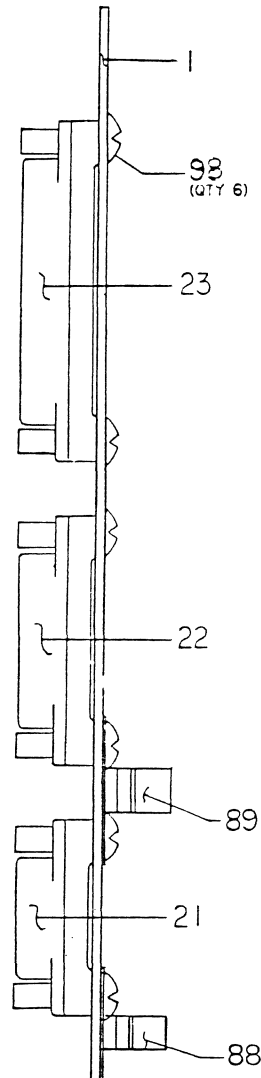
- 1 GEN: 1. THIS 50 CLASS PART IS MARKED AT REV D2, TOP DOC. IS B-DD-5416489-0.
- 2 GEN: 2. PART 2118467-02 AND 2120549-02 ARE INTERCHANGEABLE BUT EACH MODULE
- 3 GEN: MUST CONTAIN ONE PART # ONLY.
- 4 GEN: 3. PART 23330E4-00 AND 23371E4-00 ARE INTERCHANGEABLE
- 5 GEN: 4. WHEN E21 IS 2122803-01 USE W4, DO NOT USE W5.
- 6 GEN: 5. USE AMP PART # OR EQUIVALENT.

D	I	G	I	T	A	L	TITLE	SECTION A	OF A	SIZE	CODE	DOCUMENT NUMBER	REV
							DMIII SYSTEM BOARD			K	PL	5416489-1-DBP	J

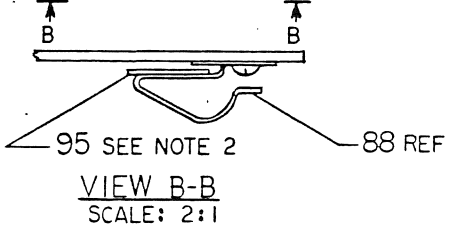
THIS DRAWING AND THE SPECIFICATIONS CONTAINED HEREIN ARE CONFIDENTIAL AND PROPRIETARY. THEY ARE THE PROPERTY OF DIGITAL EQUIPMENT CORPORATION AND SHALL NOT BE REPRODUCED OR USED IN WHOLE OR IN PART AS THE BASIS FOR MANUFACTURE OR SALE OF ITEMS WITHOUT WRITTEN PERMISSION. THIS IS AN UNCLASSIFIED WORK PROTECTED UNDER THE FEDERAL COPYRIGHT LAWS 1984



- NOTES:
- W7 IS NOT INSERTED
 - WHEN ASSEMBLING, THE PAD SHOULD OVER HANG THE EDGE OF THE GROUNDING CLIP
 - WHEN E21 IS 2122803-01 INSERT W4
WHEN E21 IS 2118172-01 INSERT W5



CAUTION: OFF SHEET PARTS LIST EXIST
SEE K-PL-5416489-2-DBP (ML 808)



REV	ECO NUMBER	DATE	BY
A	INT REL	12/84	
B	5416489-1A003	2/86	J. ROGICH
C	5416489-1A004	3/86	J. ROGICH
D	5416489-1A007	7/85	J. ROGICH

DESCRIPTION		DRAWING NO.		PART NO.		ITEM NO.	
UNLESS OTHERWISE SPECIFIED DIMENSIONS ARE IN INCHES AND THE FOLLOWING TOLERANCES APPLY (PER DEC STD 114)							
INCHES TOLERANCES		APPLICABLE DIMENSION RANGE		DIMENSION RANGE IN INCHES			
ANGLES ± 0° 30'		SURFACE QUALITY		OVER 0 TO 0.2	OVER 0.2 TO 1.2	OVER 1.2 TO 4.0	OVER 4.0 TO 12.0
X ± .1		CHECK ONE		± .02	± .05	± .10	± .15
Y ± .02		<input type="checkbox"/> <input type="checkbox"/>		± .04	± .08	± .12	± .18
Z ± .005		MICRONS		± .004	± .008	± .012	± .018
QUANTITY & VARIATION		THIRD ANGLE PROJECTION		DATE 31 DEC 84		TITLE digital	
		<input checked="" type="checkbox"/>		DATE 31 DEC 84		DM III SYSTEM BOARD	
		DO NOT SCALE DRAWING		DATE 9 JAN 85		DOCUMENT NUMBER	
		REMOVE BURRS AND BREAK SHARP CORNERS		DATE 9 JAN 85		D U A 5416489-2-0 D	
MATERIAL		MFG ENGR		DATE 9 JAN 85		SCALE 2 / 1 SHEET 1 OF 2	
SEE PARTS LIST		TOP DRAWING NO. B-DD-5416489-0				REV BPO1	

8

DUA 5416489-2-0

6

5

4

3

2

1

THIS DRAWING AND THE SPECIFICATIONS CONTAINED HEREIN ARE CONFIDENTIAL AND PROPRIETARY. THEY ARE THE PROPERTY OF DIGITAL EQUIPMENT CORPORATION AND SHALL NOT BE REPRODUCED OR COPIED OR USED IN WHOLE OR IN PART AS THE BASIS FOR THE MANUFACTURE OR SALE OF ITEMS WITHOUT WRITTEN PERMISSION. THIS IS AN UNPUBLISHED WORK PROTECTED UNDER THE FEDERAL COPYRIGHT LAWS.

REWORK INSTRUCTIONS

WIRE ADD SIDE 1 AS SHOWN (ITEM 92)

0-1 FROM E38-11 TO E41-15 (ON SIDE 2)

CAPACITOR ADD SIDE 1 AS SHOWN (ITEM 2) TO BE C52

3-1 BETWEEN E23-2 AND E23-8

WIRE ADD SIDE 2 AS SHOWN (ITEM 92)

4-1 FROM E37-6 TO E47-13

4-2 FROM E47-15 TO E30-45

4-3 FROM J3-31 TO Q1 EMITTER

RESISTORS ADD SIDE 1 AS SHOWN

4-4 BETWEEN E47-14 AND E47-16 (ITEM 32) TO BE R76

4-5 BETWEEN E47-8 AND E47-14 (ITEM 31) TO BE R77

BEAD ADD SIDE 1 AS SHOWN (ITEM 46)

4-6 W8 IS REPLACED WITH A BEAD TO BE L8

6-1 REMOVE R63 PART NO. 1301424-00, ADD R63 PART NO. 1300295-00

7-1 L3 IS REPLACED WITH JUMPER (ITEM 84) TO BE W11

7-2 REMOVE C45

7-3 REMOVE D3 PART NO. 1110994-00, ADD D3 PART NO. 1105873-00

7-4 REMARK 5416489-01 REV D1 TO 5416489-01 REV E1

D

C

REV D

NUMBER 5416489-2-0

SIZE CODE DUA

B

A

D

C

B

A

8

7

6

5

4

3

2

1

BPO1

REVISION HISTORY		
REV.	ECO NUMBER	DATE

TITLE
DM III SYSTEM BOARD

DOCUMENT NUMBER		
SIZE CODE	NUMBER	REV
DUA	5416489-2-0	D

DWG 1370
EN-01284-16-REV A098

SCALE SHEET 2 OF 2

LINE ITEM	TOP DOCUMENT	PART NUMBER	MIN REV	DESCRIPTION	QTY PER VAR/REV	REFERENCE DESIGNATORS
					01 E1	
1	1 #SEE NOTE 1	50-16488-01	D	CIRCUIT DRILL & ETCH	1	
2	2	10-00014-00		68 PFD 100V +/- 5% 200PP	2	C19,C52
3	3	10-00020-00		*** THIS ITEM IS NOT USED ***	-	
4	4	10-00024-00		470 PFD 100V +/- 5% 200PP	4	C43,C44,C46,C47
5	5	10-04813-00		10 MFD 20V +/-10% SOL	2	C31,C50
6	6	10-05636-00		22 MFD 6.0V +/-10% SOL	1	C36
7	7	10-10274-00		0.22 MFD 50V +80/-20% Z5U C	1	C41
8	8	10-12784-00		0.047MFD 50V +80/-20% Z5U C	37	C2-C18,C20,C22,C23,C25-C30, CONT C32-C35,C37-C40,C42,C48,C49
9	9	10-13466-45		220 PFD 50V +/- 1% NPO C	1	C24
10	10	11-05275-00		PIV= 60 IO=300 MA -15NS	1	D1
11	11	11-05796-01		PIV= 400 IO= 1.00A DO-41	1	D4
12	12	11-10994-00		*** THIS ITEM IS NOT USED ***	-	
13	13	11-23596-01		VZ= 3.6 500MW 1N5989C	1	D2
14	14	12-16655-05		CARD EDGE 50PIN(2X25).100CC STR	1	J3
15	15	12-15006-07		SKT,IC 28PIN DIP TIN SOLD	2	XE33,XE42
16	16	12-15006-08		*** THIS ITEM IS NOT USED ***	-	
17	17	12-15699-08		PCB,HEADER 10POS(1X10).150CC STR	1	J2
18	18	12-18762-00		CONN,P+S 34POS(2X17).100CC	1	J7
19	19	12-19952-01		PCB HEADER 34PIN(2X17).100CC STR	1	J1
20	20 SEE NOTE 5	12-21158-02		SKT,IC 84PIN CHIP CARRIER	2	XE25,XE30
21	21	12-22893-01		CONN,D SUB 9PIN ASSY STR GOLD	1	J4
22	22	12-22893-02		CONN,D SUB 15PIN ASSY STR GOLD	1	J5
23	23	12-22893-03		CONN,D SUB 25PIN ASSY STR GOLD	1	J6
24	24	13-00197-00		33.0 .25 W 5.0 % CF	1	R54
25	25	13-00202-00		47.0 .25 W 5.0 % CF	8	R1-R8
26	26	13-00229-00		100.0 .25 W 5.0 % CF	1	R75
27	27	13-00309-00		390.0 .25 W 5.0 % CF	1	R48
28	28	13-00365-00		1.0 K .25 W 5.0 % CF	2	R51,R52
29	29	13-00391-00		1.50 K .25 W 5.0 % CF	1	R62
30	30	13-00447-00		4.70 K .25 W 5.0 % CF	16	R9,R11,R15,R17,R19,R30,R31, CONT R33-R37,R53,R65,R68,R70

REVISION HISTORY			KPL MODULE FORMAT SECTION A OF A		DRN: E. NOURIE	DIGITAL					
ENG	ECO NUMBER	REV	SECTION/VARIATION INDEX		DATE: 02-JAN-85						
---	INITIAL	A	[A]	01	[M]	CHK'D: P. SULLIVAN	TITLE PARTS LIST				
JR	5416489-TA003	B	[B]		[N]	DATE: 02-JAN-85	DM111 SYSTEM BOARD				
JR	5416489-TA004	C	[C]		[P]	DES.ENG: J. ROGICH					
JR	5416489-TA005	D	[D]		[Q]	DATE: 02-JAN-85	DOCUMENT NUMBER				
JR	5416489-TA006	E	[E]		[R]		SIZE	CODE	NUMBER	REV	
JR	5416489-TA007	F	[F]		[S]	RESP.ENG.: J. ROGICH					
DP	5416489-ML008	H	[H]		[T]	DATE: 02-JAN-85	K	PL	5416489-2-DBP	J	
LB	5416489-ML009	J	[J]		[V]						
			[K]		[W]	MFG.ENG: C. TANNER	RELEASE DATE: 05-JAN-87				
			[L]		[Y]	DATE: 02-JAN-85	RELEASE STATUS: RELEASED				
BASIC PART NUMBER:			ASSEMBLY NUMBER:		TOP DOCUMENT NUMBER:		FILE NAME:		EDIT #		
5416489			D-UA-5416489-2-0		B-DD-5416489-0		ML808J.PLS		1		

"THIS DRAWING AND THE SPECIFICATIONS CONTAINED HEREIN ARE CONFIDENTIAL AND PROPRIETARY. THEY ARE THE PROPERTY OF DIGITAL EQUIPMENT CORPORATION AND SHALL NOT BE REPRODUCED OR COPIED OR USED IN WHOLE OR IN PART AS THE BASIS FOR THE MANUFACTURE OR SALE OF ITEMS WITHOUT WRITTEN PERMISSION. THIS IS AN UNPUBLISHED WORK PROTECTED UNDER THE FEDERAL COPYRIGHT LAWS."

LINE	ITEM	TOP DOCUMENT	PART NUMBER	MIN REV	DESCRIPTION	QTY	PER VAR/REV	REFERENCE DESIGNATORS
						01		
						E1		
31	31		13-00479-00	10.0	K .25 W 5.0 % CF	16		R16,R18,R21,R26,R28,R32,R58, CONT R59,R61,R66,R69,R71-R74,R77
32	32		13-00488-00	12.0	K .25 W 5.0 % CF	2		R57,R76
33	33		13-01322-00	180.0	.25 W 5.0 % CF	6		R22-R25,R29,R42
34	34		13-01401-00	750.0	.25 W 5.0 % CF	1		R49
35	35		13-01425-00	300.0	.25 W 5.0 % CF	1		R50
36	36		13-01972-00	270.0	.25 W 5.0 % CF	2		R55,R60
37	37		13-02379-00	75.0	.25 W 5.0 % CF	1		R56
38	38		13-02514-00	39.0	K .25 W 5.0 % CF	1		R38
39	39		13-02860-00	11.50	K .25 W 1.0 % RN55D-F10	1		R41
40	40		13-05346-00	27.0	K .25 W 5.0 % CF	5		R43-R47
41	41		13-09143-07	1.0	K .75 W10.0 % POT	1		R27
42	42		13-14251-00	61.90	K .25 W 1.0 % RN55D-F10	1		R40
43	43		13-16395-00	R. NET	4.7K- 9 2.0	3		R12-R14
44	44		13-17399-00	6.49	K .25 W 1.0 % RN55D-F10	1		R20
45	45		15-09338-00	DEC6531B	NPN 310MW SI 40 90 P	1		Q1
46	46		16-18238-02	BEAD,FERRITE	.1380DX.330LG	7		L1,L2,L4-L8
47	47		18-11660-41	OSCILLATOR, XTAL	22.896 MHZ	1		Y2
48	48		18-15860-01	OSCILLATOR, XTAL	1E.000 MHZ	1		Y1
49	49		19-09928-00	7416	INVERTER GATE-HEX 1I	1		E35
50	50		19-09929-00	7417	BUFFER GATE-HEX 1INP	1		E49
51	51		19-11219-00	7438	NAND GATE-QUAD 2IN,B	1		E36
52	52		19-21330-01	74F257	MUX,QUAD,2-IN	2		E18,E19
53	53		19-12697-00	LS174	FF-D HEX W/CLEAR	1		E37
54	54		19-12799-00	LS00	NAND-GATE-QUAD 2IN,P	1		E34
55	55		19-12803-00	LS04	INVERTER GATE,HEX	1		E3
56	56		19-12805-00	LS08	AND GATE-QUAD 2IN,PO	1		E52
57	57		19-12858-00	LS221	ONE SHOT-DUAL,SCHMIT	1		E23
58	58		19-13340-00	74S32	OR GATE-QUAD 2IN	1		E39
59	59		19-13471-00	LS367	DRIVER,BUS,HEX,TRI-S	3		E17,E20,E55
60	60		19-14156-00	LM 393	VOLT.COMPARATOR DUAL	1		E46
61	61		19-14214-00	LS374	FF-D OCTAL EDGE TRIG	2		E27,E28
62	62		19-15123-03	26LS32-3	RECEIVER,LINE RS232	2		E47,E48
63	63		19-15219-00	LS373	FF-D OCTAL-TRANSPARE	1		E2
64	64		19-15415-00	9636	DRIVER,DUAL,EIA RS-4	2		E50,E51
65	65		19-15758-01	LS166	SHIFT REG. 8BIT PARA	1		E41
66	66		19-21314-01	74F74	FF-D,DUAL,POS.,EDGE	1		E38
67	67		19-22821-01	74S136	EXCLUSIVE OR GATE	2		E40,E53
68	68		21-13937-00	UART 125K BUAD		2		E43,E44
69	69		21-17872-01	RAM 2KX8 I/O MUXD 20		1		E1
70	70	#SEE NOTE 2	21-18467-02	8264-15	RAM 64K X1,150NS 1	12		E5-E16
71	71		21-18823-00	1793-02	FLOPPY DISK FORMAT	1		E22
72	72		21-18856-00	CONTROLLER,MULTI-PROTOCOL SERIAL		1		E45
73	73		21-20065-01	9007	CONTROLLER,CRT	1		E26
74	74		21-20066-01	BUFFER,SINGLE ROW		2		E31,E32
75	75		21-22664-03	DC382	GATE ARRAY - JEDEC PKG	1		E30
76	76		21-22665-03	DC381	GATE ARRAY - JEDEC PKG	1		E25
77	77	#SEE NOTE 4	21-22803-01	6120	MICROPROCESSOR,12-BI	1		E21
78	78		23-8M1 -00	M1-01		1		E4
79	79		23-97K5 -00	K5-01		1		E24

D	I	G	I	T	A	L	TITLE	SECTION A OF A	SIZE	CODE	DOCUMENT NUMBER	REV
							DM111 SYSTEM BOARD		K	PL	5416489-2-DBP	J

LINE ITEM	TOP DOCUMENT	PART NUMBER	MIN REV	DESCRIPTION	QTY PER VAR/REV	REFERENCE DESIGNATORS
					01 E1	
80	80 #SEE NOTE 3	23-330E4-00	E4-06		U 1	E33
81	81	36-18460-01		LABEL, BAR CODE BLANK .38 X1.5	1	
82	82	57-22695-01		HYBRID, ASSY, CHIP, WIRE P	1	E29
83	83	90-08301-01		*** THIS ITEM IS NOT USED ***	-	
84	84 #SEE NOTE 4	90-09185-00		JUMPER, WIRE, INSULATED, BLACK B	8	W1-W4, W6, W9-W11
85	85	13-00295-00		330.0 .25 W 5.0 % CF	2	R10, R63
86	86	13-04858-00		348.0 .25 W 1.0 % RN55D-F10	1	R64
87	87	13-01424-00		680.0 .25 W 5.0 % CF	1	R67
88	88 C-MD-7430831-0-0	74-30831-01		CLIP, GROUND W/CUTOUT	1	
89	89 C-MD-7430831-0-0	74-30831-02		CLIP, GROUND W/O CUTOUT	1	
90	90	19-12824-00		LS74 FF-D DUAL, EDGE TRIGG	1	E54
91	91	23-331E4-00	E4-06, E4-07	ROM-U	1	E42
92	92	91-05740-55		WIRE(WRAP) 30AWG KYNAR UL14	A/R	
93	93	91-07750-00		*** THIS ITEM IS NOT USED ***	-	
94	94	90-09743-00		POST, WIRE WRAP	1	TP1
95	95 B-MD-7430929-0-0	74-30929-01		PAD, GROUND CLIP	2	
96	96	10-00022-00		270 PFD 100V +/- 5% 200PP	1	C51
97	97	12-23865-01		*** THIS ITEM IS NOT USED ***	-	
98	98	90-06010-01		SCREW, MACH PAN PHIL 4-	6	
99	99	11-05873-00		VZ= 5.1 1% .400MW	1	D3
100	100 #SEE NOTE 4	21-18172-01		*** THIS ITEM IS NOT USED ***	-	
101	101 #SEE NOTE 2	21-20549-02		64K MOS RAM 150NS 1	A/R	
102	102 #SEE NOTE 3	23-371E4-00	E4-06, E4-07, E4-11		A/R	

- 1 GEN: 1. THIS 50 CLASS PART IS MARKED AT REV D3, TOP DOC IS B-DD-5416489-0.
- 2 GEN: 2. 2118467-02 AND 2120549-02 ARE INTERCHANGEABLE BUT EACH MODULE
- 3 GEN: MUST CONTAIN ONE PART NUMBER ONLY
- 4 GEN: 3. PART 23330E4-00 AND PART 23371E4-00 ARE INTERCHANGEABLE.
- 5 GEN: 4. WHEN E121 IS 2122803-01 USE W4, DO NOT USE W5
- 6 GEN: 5. USE AMP PART # OR EQUIVALENT.

D	I	G	I	T	A	L	TITLE	SECTION A OF A	SIZE	CODE	DOCUMENT NUMBER	REV
							DM111 SYSTEM BOARD		K	PL	5416489-2-DBP	J

