



THIS DRAWING AND SPECIFICATIONS, HEREIN, ARE THE PROPERTY OF DIGITAL EQUIPMENT CORPORATION AND SHALL NOT BE REPRODUCED OR COPIED OR USED IN WHOLE OR IN PART AS THE BASIS FOR THE MANUFACTURE OR SALE OF ITEMS WITHOUT WRITTEN PERMISSION. COPYRIGHT © 1963 DIGITAL EQUIPMENT CORPORATION

WIRING CHART

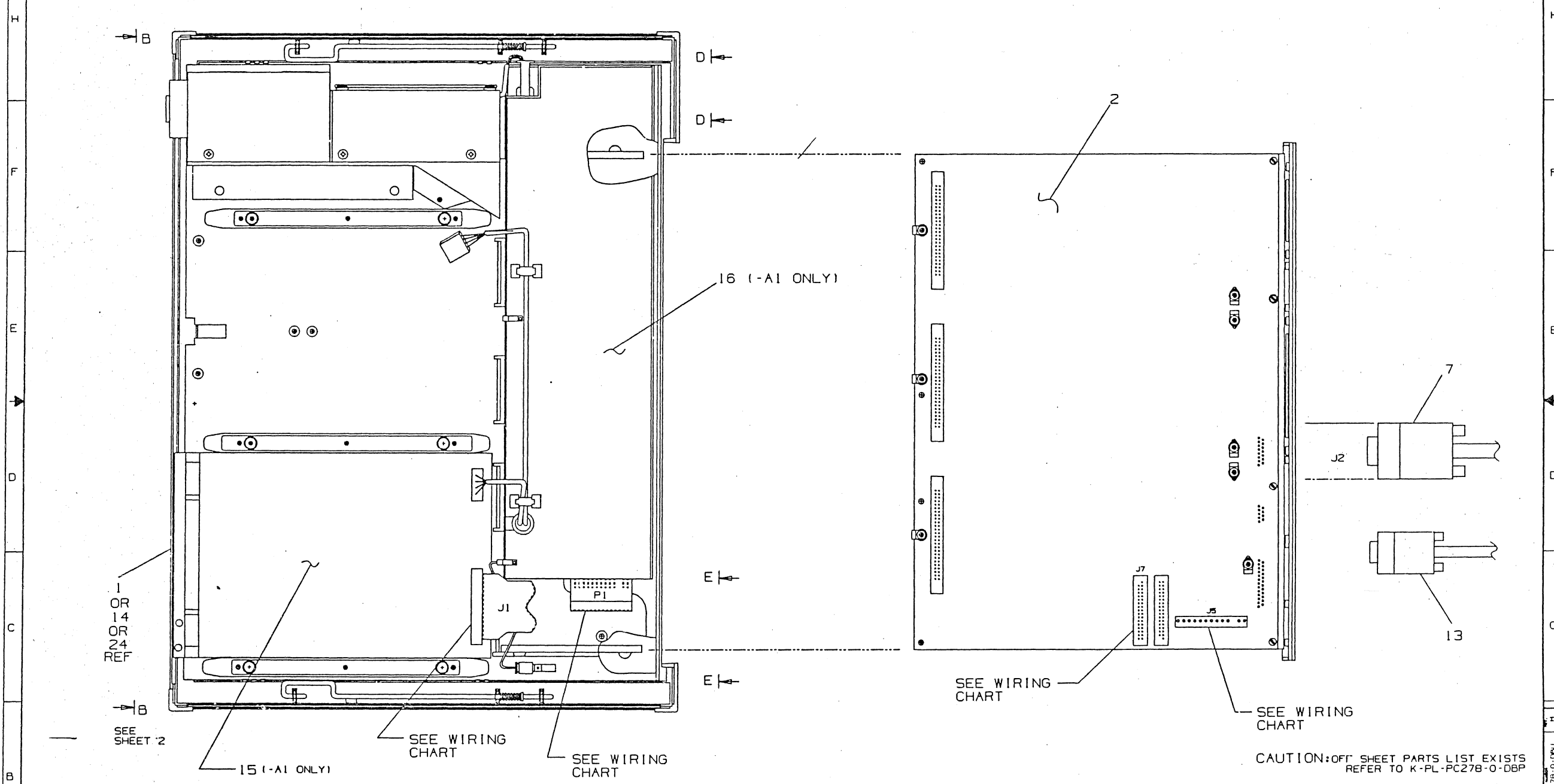
ITEM	FROM	TO	REMARKS
J1	1 (BA25-B) PART OF ITEM 1	J7 (7019973-00) PART OF ITEM 2	J1 USED TO IDENTIFY CABLE
P1	1 (BA25-B) PART OF ITEM 1	J5 (7019973-00) PART OF ITEM 2	P1 USED TO IDENTIFY CABLE
		J2 (7019973-00) PART OF ITEM 2	CONNECTION SHOWN AS REFERENCE. DO NOT CONNECT BEFORE SHIPPING SHIP SEPARATELY.

LEGEND

PART NUMBER	DESCRIPTION
PC278-A	BA25-B, KK612-A 120/240V SET FOR 120V
PC278-AN	NON-FCC COMPLIANT PC278-A
PC278-A1	PC278-A EXCEPT 120V ONLY
PC278-AB	PC278-A (SET FOR 240V)
PC278-A2	BA25-AA, KK612-A 120/240V SET FOR 120V
PC278-A3	BA25-AA, KK612-A 120/240V SET FOR 240V

NOTES:

- ITEMS 7 AND 13, SHIPPED LOOSE PIECE.
- ITEM 12, REMAINING LABELS, WILL BE SHIPPED LOOSE PIECE.
- DELETED.
- PLACE ITEM 18, 22 OR 23 OVER A.C. PWR INLET.



1 OR 14 OR 24 REF

SEE SHEET 2

15 (-A1 ONLY)

SEE WIRING CHART

SEE WIRING CHART

16 (-A1 ONLY)

SEE WIRING CHART

SEE WIRING CHART

CAUTION: OFF SHEET PARTS LIST EXISTS REFER TO K-PL-PC278-0-DBP

SHOWN WITH COVER REMOVED

REV	DATE	BY	INITIALS	DESCRIPTION
1	10/1/63	W. S. STAS	W.S.	INITIAL PER
2	10/1/63	S. AZEVEDO	S.A.	EDN/01484
3	10/1/63	D. HEALY	D.H.	PC278-M-000
4	10/1/63	D. MOORE	D.M.	PC278-M-000
5	10/1/63	D. PUCCI	D.P.	PC278-M-000
6	10/1/63	B. PORTER	B.P.	PC278-M-000
7	10/1/63	A. JOHNS	A.J.	PC278-M-000
8	10/1/63	R. G. WHITE	R.G.	PC278-M-000
9	10/1/63	A. JOHNS	A.J.	PC278-M-000

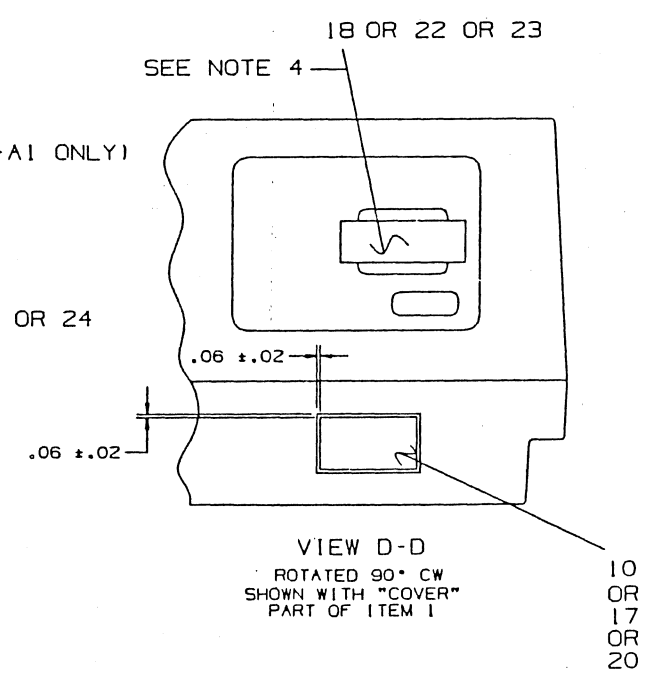
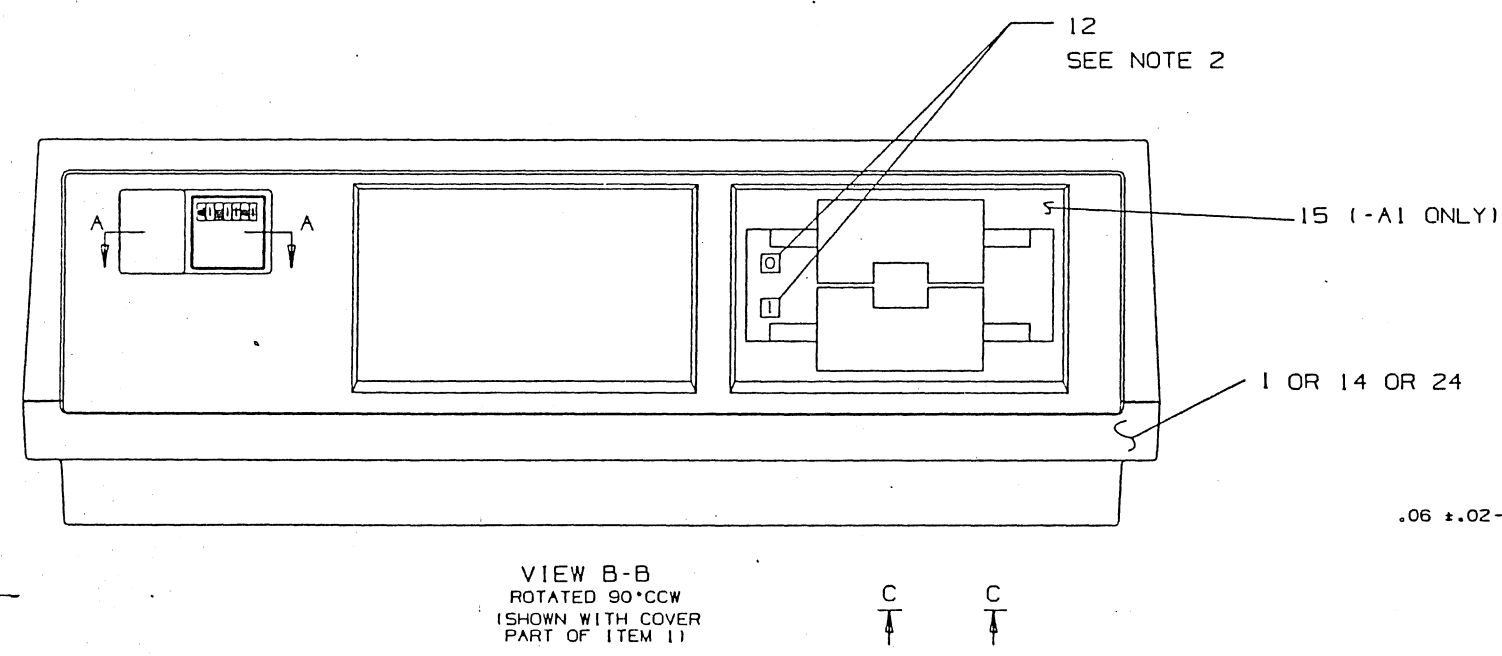
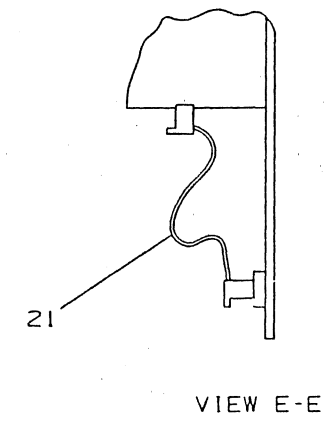
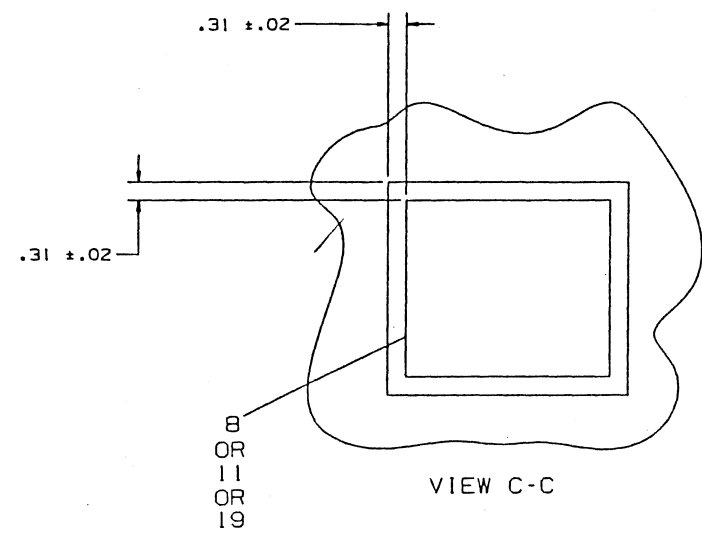
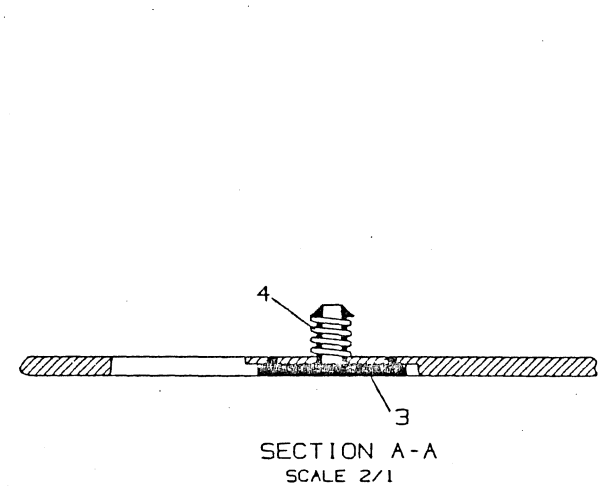
DESCRIPTION	DRAWING NO.	PART NO.	REV.
UNLESS OTHERWISE SPECIFIED DIMENSIONS ARE IN INCHES AND THE FOLLOWING TOLERANCES APPLY (PER DEC 510 11-1)			
DIMENSION RANGE IN INCHES			
INCHES	FRACTIONS	DECIMALS	ANGLES
0.0001 - 0.0005	1/16 - 1/8	0.0005 - 0.0015	±0.005
0.0005 - 0.0015	1/8 - 1/4	0.0015 - 0.0025	±0.005
0.0015 - 0.0025	1/4 - 3/4	0.0025 - 0.0050	±0.005
0.0025 - 0.0050	3/4 - 1 1/2	0.0050 - 0.0100	±0.005
0.0050 - 0.0100	1 1/2 - 2 1/2	0.0100 - 0.0200	±0.005
0.0100 - 0.0200	2 1/2 - 4 1/2	0.0200 - 0.0500	±0.005
0.0200 - 0.0500	4 1/2 - 8 1/2	0.0500 - 0.1000	±0.005
0.0500 - 0.1000	8 1/2 - 16 1/2	0.1000 - 0.2000	±0.005
0.1000 - 0.2000	16 1/2 - 32 1/2	0.2000 - 0.5000	±0.005
0.2000 - 0.5000	32 1/2 - 64 1/2	0.5000 - 1.0000	±0.005
0.5000 - 1.0000	64 1/2 - 128 1/2	1.0000 - 2.0000	±0.005
1.0000 - 2.0000	128 1/2 - 256 1/2	2.0000 - 5.0000	±0.005
2.0000 - 5.0000	256 1/2 - 512 1/2	5.0000 - 10.0000	±0.005
5.0000 - 10.0000	512 1/2 - 1024 1/2	10.0000 - 20.0000	±0.005
10.0000 - 20.0000	1024 1/2 - 2048 1/2	20.0000 - 50.0000	±0.005
20.0000 - 50.0000	2048 1/2 - 4096 1/2	50.0000 - 100.0000	±0.005
50.0000 - 100.0000	4096 1/2 - 8192 1/2	100.0000 - 200.0000	±0.005
100.0000 - 200.0000	8192 1/2 - 16384 1/2	200.0000 - 500.0000	±0.005
200.0000 - 500.0000	16384 1/2 - 32768 1/2	500.0000 - 1000.0000	±0.005
500.0000 - 1000.0000	32768 1/2 - 65536 1/2	1000.0000 - 2000.0000	±0.005
1000.0000 - 2000.0000	65536 1/2 - 131072 1/2	2000.0000 - 5000.0000	±0.005
2000.0000 - 5000.0000	131072 1/2 - 262144 1/2	5000.0000 - 10000.0000	±0.005
5000.0000 - 10000.0000	262144 1/2 - 524288 1/2	10000.0000 - 20000.0000	±0.005
10000.0000 - 20000.0000	524288 1/2 - 1048576 1/2	20000.0000 - 50000.0000	±0.005
20000.0000 - 50000.0000	1048576 1/2 - 2097152 1/2	50000.0000 - 100000.0000	±0.005
50000.0000 - 100000.0000	2097152 1/2 - 4194304 1/2	100000.0000 - 200000.0000	±0.005
100000.0000 - 200000.0000	4194304 1/2 - 8388608 1/2	200000.0000 - 500000.0000	±0.005
200000.0000 - 500000.0000	8388608 1/2 - 16777216 1/2	500000.0000 - 1000000.0000	±0.005
500000.0000 - 1000000.0000	16777216 1/2 - 33554432 1/2	1000000.0000 - 2000000.0000	±0.005
1000000.0000 - 2000000.0000	33554432 1/2 - 67108864 1/2	2000000.0000 - 5000000.0000	±0.005
2000000.0000 - 5000000.0000	67108864 1/2 - 134217728 1/2	5000000.0000 - 10000000.0000	±0.005
5000000.0000 - 10000000.0000	134217728 1/2 - 268435456 1/2	10000000.0000 - 20000000.0000	±0.005
10000000.0000 - 20000000.0000	268435456 1/2 - 536870912 1/2	20000000.0000 - 50000000.0000	±0.005
20000000.0000 - 50000000.0000	536870912 1/2 - 1073741824 1/2	50000000.0000 - 100000000.0000	±0.005
50000000.0000 - 100000000.0000	1073741824 1/2 - 2147483648 1/2	100000000.0000 - 200000000.0000	±0.005
100000000.0000 - 200000000.0000	2147483648 1/2 - 4294967296 1/2	200000000.0000 - 500000000.0000	±0.005
200000000.0000 - 500000000.0000	4294967296 1/2 - 8589934592 1/2	500000000.0000 - 1000000000.0000	±0.005
500000000.0000 - 1000000000.0000	8589934592 1/2 - 17179869184 1/2	1000000000.0000 - 2000000000.0000	±0.005
1000000000.0000 - 2000000000.0000	17179869184 1/2 - 34359738368 1/2	2000000000.0000 - 5000000000.0000	±0.005
2000000000.0000 - 5000000000.0000	34359738368 1/2 - 68719476736 1/2	5000000000.0000 - 10000000000.0000	±0.005
5000000000.0000 - 10000000000.0000	68719476736 1/2 - 137438953472 1/2	10000000000.0000 - 20000000000.0000	±0.005
10000000000.0000 - 20000000000.0000	137438953472 1/2 - 274877906944 1/2	20000000000.0000 - 50000000000.0000	±0.005
20000000000.0000 - 50000000000.0000	274877906944 1/2 - 549755813888 1/2	50000000000.0000 - 100000000000.0000	±0.005
50000000000.0000 - 100000000000.0000	549755813888 1/2 - 1099511627776 1/2	100000000000.0000 - 200000000000.0000	±0.005
100000000000.0000 - 200000000000.0000	1099511627776 1/2 - 2199023255552 1/2	200000000000.0000 - 500000000000.0000	±0.005
200000000000.0000 - 500000000000.0000	2199023255552 1/2 - 4398046511104 1/2	500000000000.0000 - 1000000000000.0000	±0.005
500000000000.0000 - 1000000000000.0000	4398046511104 1/2 - 8796093022208 1/2	1000000000000.0000 - 2000000000000.0000	±0.005
1000000000000.0000 - 2000000000000.0000	8796093022208 1/2 - 17592186044416 1/2	2000000000000.0000 - 5000000000000.0000	±0.005
2000000000000.0000 - 5000000000000.0000	17592186044416 1/2 - 35184372088832 1/2	5000000000000.0000 - 10000000000000.0000	±0.005
5000000000000.0000 - 10000000000000.0000	35184372088832 1/2 - 70368744177664 1/2	10000000000000.0000 - 20000000000000.0000	±0.005
10000000000000.0000 - 20000000000000.0000	70368744177664 1/2 - 140737488355328 1/2	20000000000000.0000 - 50000000000000.0000	±0.005
20000000000000.0000 - 50000000000000.0000	140737488355328 1/2 - 281474976710656 1/2	50000000000000.0000 - 100000000000000.0000	±0.005
50000000000000.0000 - 100000000000000.0000	281474976710656 1/2 - 562949953421312 1/2	100000000000000.0000 - 200000000000000.0000	±0.005
100000000000000.0000 - 200000000000000.0000	562949953421312 1/2 - 1125899906842624 1/2	200000000000000.0000 - 500000000000000.0000	±0.005
200000000000000.0000 - 500000000000000.0000	1125899906842624 1/2 - 2251799813685248 1/2	500000000000000.0000 - 1000000000000000.0000	±0.005
500000000000000.0000 - 1000000000000000.0000	2251799813685248 1/2 - 4503599627370496 1/2	1000000000000000.0000 - 2000000000000000.0000	±0.005
1000000000000000.0000 - 2000000000000000.0000	4503599627370496 1/2 - 9007199254740992 1/2	2000000000000000.0000 - 5000000000000000.0000	±0.005
2000000000000000.0000 - 5000000000000000.0000	9007199254740992 1/2 - 18014398509481984 1/2	5000000000000000.0000 - 10000000000000000.0000	±0.005
5000000000000000.0000 - 10000000000000000.0000	18014398509481984 1/2 - 36028797018963968 1/2	10000000000000000.0000 - 20000000000000000.0000	±0.005
10000000000000000.0000 - 20000000000000000.0000	36028797018963968 1/2 - 72057594037927936 1/2	20000000000000000.0000 - 50000000000000000.0000	±0.005
20000000000000000.0000 - 50000000000000000.0000	72057594037927936 1/2 - 144115188075855872 1/2	50000000000000000.0000 - 100000000000000000.0000	±0.005
50000000000000000.0000 - 100000000000000000.0000	144115188075855872 1/2 - 288230376151711744 1/2	100000000000000000.0000 - 200000000000000000.0000	±0.005
100000000000000000.0000 - 200000000000000000.0000	288230376151711744 1/2 - 576460752303423488 1/2	200000000000000000.0000 - 500000000000000000.0000	±0.005
200000000000000000.0000 - 500000000000000000.0000	576460752303423488 1/2 - 1152921504606846976 1/2	500000000000000000.0000 - 1000000000000000000.0000	±0.005
500000000000000000.0000 - 1000000000000000000.0000	1152921504606846976 1/2 - 2305843009213693952 1/2	1000000000000000000.0000 - 2000000000000000000.0000	±0.005
1000000000000000000.0000 - 2000000000000000000.0000	2305843009213693952 1/2 - 4611686018427387904 1/2	2000000000000000000.0000 - 5000000000000000000.0000	±0.005
2000000000000000000.0000 - 5000000000000000000.0000	4611686018427387904 1/2 - 9223372036854775808 1/2	5000000000000000000.0000 - 10000000000000000000.0000	±0.005
5000000000000000000.0000 - 10000000000000000000.0000	9223372036854775808 1/2 - 18446744073709551616 1/2	10000000000000000000.0000 - 20000000000000000000.0000	±0.005
10000000000000000000.0000 - 20000000000000000000.0000	18446744073709551616 1/2 - 36893488147419103232 1/2	20000000000000000000.0000 - 50000000000000000000.0000	±0.005
20000000000000000000.0000 - 50000000000000000000.0000	36893488147419103232 1/2 - 73786976294838206464 1/2	50000000000000000000.0000 - 100000000000000000000.0000	±0.005
50000000000000000000.0000 - 100000000000000000000.0000	73786976294838206464 1/2 - 147573952589676412928 1/2	100000000000000000000.0000 - 200000000000000000000.0000	±0.005
100000000000000000000.0000 - 200000000000000000000.0000	147573952589676412928 1/2 - 295147905179352825856 1/2	200000000000000000000.0000 - 500000000000000000000.0000	±0.005
200000000000000000000.0000 - 500000000000000000000.0000	295147905179352825856 1/2 - 590295810358705651712 1/2	500000000000000000000.0000 - 1000000000000000000000.0000	±0.005
500000000000000000000.0000 - 1000000000000000000000.0000	590295810358705651712 1/2 - 1180591620717411303424 1/2	1000000000000000000000.0000 - 2000000000000000000000.0000	±0.005
1000000000000000000000.0000 - 2000000000000000000000.0000	1180591620717411303424 1/2 - 2361183241434822606848 1/2	2000000000000000000000.0000 - 5000000000000000000000.0000	±0.005
2000000000000000000000.0000 - 5000000000000000000000.0000	2361183241434822606848 1/2 - 4722366482869645213696 1/2	500000000000	

THIS DRAWING AND SPECIFICATIONS, HEREIN, ARE THE PROPERTY OF DIGITAL EQUIPMENT CORPORATION AND SHALL NOT BE REPRODUCED OR COPIED OR USED IN WHOLE OR IN PART AS THE BASIS FOR THE MANUFACTURE OR SALE OF ITEMS WITHOUT WRITTEN PERMISSION.  
 COPYRIGHT © 1965, DIGITAL EQUIPMENT CORPORATION

EUA PC278-0-DBU H

EUA PC278-0-DBU H

EUA PC278-0-DBU H



REVISION HISTORY		
DATE	ECO HISTORY	REV

DOCUMENT NUMBER		
SIZE/SCALE	NUMBER	REV
EUA	PC278-0-DBU	H
SCALE 1/1	SHEET 2 OF 2	

TITLE  
DECMATE II

LINE	ITEM	TOP DOCUMENT	PART NUMBER	MIN REV	DESCRIPTION	QTY PER VARIATION					
						A2	AN A3	A1 A2	AB A1	A2 A1	A3 A1
1	1	E-UA-BA25-0-0	BA25 -B		BA25-A,RX50-AA,H7842-A,120/240V	1	1	-	1	-	-
2	2	D-AD-7019973-0-0	7019973-00		CPU ASSY, DECMATE	1	1	1	1	1	1
3	3	D-IA-7427256-0-DBU	7427256-04		MEDALLION,DECMATE II	1	1	1	1	1	1
4	4		1220113-01		SPRING,COMPRESSION .3000DX .380	1	1	1	1	1	1
5	5		3618460-06		*** THIS ITEM IS NOT USED ***	-	-	-	-	-	-
6	6	A-PA-3700695-0-0	3700695-01		PKG SYSTEM BA25 SMALL UNIT	1	1	1	1	1	1
7	7		1700283-00		CABLE ASSY,07 COND,MOLD,SHLD 1	1	1	1	1	1	1
8	8		3620218-08		LABEL,PC278	-	-	1	-	-	-
9	9		3616157-00		*** THIS ITEM IS NOT USED ***	-	-	-	-	-	-
10	10		3620215-06		LABEL,PWR.RATING CT 120/220-240	-	1	-	-	-	-
11	11		3620218-05		LABEL,REGULATIONS,PC INTERIM	-	1	-	-	-	-
12	12		3620222-01		LABEL,CONFIGURATION	1	1	1	1	1	1
13	13		1700300-00		CABLE ASSY,07 COND,MOLD,SHLD 2	1	1	1	1	1	1
14	14	E-UA-BA25-0-0	BA25 -A		SMALL SYSTEM UNIT ENCLOSURE	-	-	1	-	-	-
15	15	E-UA-RX50-0-DBU	RX50 -AA		DUAL 5.25" SINGLE SIDED FLOPPY D	-	-	1	-	-	-
16	16	E-UA-H7842-0-0	H7842-B		H7842-A EXCEPT 120V ONLY	-	-	1	-	-	-
17	17		3620215-08		LABEL,PWR.RATING CT 120V 3.	-	-	1	-	-	-
18	18		3621750-01		LABEL,PERMANENTLY SET FOR 120V	-	-	1	-	-	-
19	19		3620218-02		LABEL,REGULATIONS,PC 278	1	-	-	1	1	1
20	20		3620215-03		LABEL,PWR.RATING CT 100-120/220	1	-	-	1	-	-
21	21		1700318-02		CABLE ASSY,PC-100B MOTHERBOARD P	1	1	1	1	1	1
22	22		3617905-17		LABEL,WARNING EQUIP. RATING,220-	-	-	-	1	-	1
23	23		3617905-16		LABEL,WARNING EQUIP. RATING,100-	1	1	-	-	1	-
24	24		BA25 -AA		BA25-A,RX50-AA,H7842-D,120/240V	-	-	-	-	1	1
25	25		3620215-13		LABEL,PWR.RATING CT PC278	-	-	-	-	1	1

REVISION HISTORY			BASIC PART NO: PC278			DRN: S. AZEVEDO		DATE: 23-JUL-82		DIGITAL			
ENG	ECO NUMBER	REV	SECTION A OF A			CHK'D: D. HEALY		DATE:		TITLE PARTS LIST			
---	INITIAL	A	SECTION VARIATION INDEX			DES.ENG: D. MOORE		DATE:		DOCUMENT NUMBER			
DP	PC278-ML002	B	[A]A ,AN,A1,AB,A2,A3			RESP.ENG.: D. PUCCI		DATE:		SIZE	CODE	NUMBER	REV
DP	PC278-ML003	C				MFG.ENG.: B. PORTER		DATE:		K	PL	PC278-0-DBP	H
AJ	PC278-ML004	D	[B]			ASSEMBLY NUMBER:		TOP DOCUMENT NUMBER:		FILE NAME:		EDIT #	
AJ	PC278-ML005	E	[C]			#B-DD-PC278-0		#B-DD-PC278-0		Z5233H.PLS		4	
AJ	PC278-ML006	F	[D]			RELEASE DATE: 21-JAN-85							
AJ	PC278-ML007	H	[E]										
			[F]										

"THIS DRAWING AND THE SPECIFICATIONS CONTAINED HEREIN ARE CONFIDENTIAL AND PROPRIETARY. THEY ARE THE PROPERTY OF DIGITAL EQUIPMENT CORPORATION AND SHALL NOT BE REPRODUCED OR COPIED OR USED IN WHOLE OR IN PART AS THE BASIS FOR THE MANUFACTURE OR SALE OF ITEMS WITHOUT WRITTEN PERMISSION. THIS IS AN UNPUBLISHED WORK PROTECTED UNDER THE FEDERAL COPYRIGHT LAWS."


LINE ITEM	TOP DOCUMENT	PART NUMBER	MIN REV	DESCRIPTION	QTY PER VARIATION	A	AN	A1	AB	A2	A3
				VARIATION REVISION LEVEL:	A2	A3	A2	A1	A1	A1	A1

26 NOTE: PART NO. 1700318-01 IS AN ACCEPTABLE ALTERNATE FOR ITEM 21.

D I G I T A L	TITLE DECMATE II	SECTION A OF A	SIZE K	CODE PL	DOCUMENT NUMBER PC278-0-DBP	REV H
---------------	---------------------	----------------	-----------	------------	--------------------------------	----------

DRAWING NO.	NO. OF SHTS.	PART NO.	DESCRIPTION	REVISIONS															
				A	A	A	A1	A1	A1	A2	A2								
		PC278-A	BA25-B, KK612-A, 120/240V	A	A	A	A1	A1	A1	A2	A2								
B-TC-PC278-0-1			TABLE OF CONTENTS	A	A	A	B	B	B	C	D								
E-UA-PC278-0-DBU			UNIT ASSY	A	A	B	C	D	E	F	H								
K-PL-PC278-0-DBP			PARTS LIST	A	A	B	C	D	E	F	H								
		MP-01492-00	PRINT SET								REF								
		PC278-AN	NON-FCC COMPLAINT PC278-A 120/240V	A	A	A	A1	A1	A2	A3	A3								
		PC278-A1	PC278-A EXCEPT 120V ONLY				A1	A1	A2	A2	A2								
		PC278-AB	PC278-A SET FOR 220-240V							A1	A1								
		PC278-A2	BA25-AA, KK612-A, SET FOR 120V								A1								
		PC278-A3	BA25-AA, KK612-A, SET FOR 240V								A1								

NOTES:	REVISION HISTORY		INITIAL	ML001	ML002	ML003	ML004	PC278-ML005	PC278-ML006	PC278-ML007	C	D	E
	DATE	ECO NO.											
								27 MAR 84	04 MAY 84	16 JAN 84			

THIS DRAWING AND THE SPECIFICATIONS CONTAINED HEREIN ARE CONFIDENTIAL AND PROPRIETARY. THEY ARE THE PROPERTY OF DIGITAL EQUIPMENT CORPORATION AND SHALL NOT BE REPRODUCED OR COPIED OR USED IN WHOLE OR IN PART AS THE BASIS FOR THE MANUFACTURE OR SALE OF ITEMS WITHOUT WRITTEN PERMISSION. THIS IS AN UNPUBLISHED WORK PROTECTED UNDER THE FEDERAL COPYRIGHT LAWS. 1984		DRN. D. HEALY	DATE 12OCT82	TITLE DECMATE II			
		CHK'D D. HEALY	DATE 07JAN83				
		DES. ENG. DICK PUCCI	DATE 07JAN83	DOCUMENT NUMBER			
		RESP. ENG. DICK PUCCI	DATE 07JAN83	SIZE <b>B</b>	CODE <b>DD</b>	NUMBER PC278-0	REV. E
		MFG. ENG. B. PORTER	DATE 07JAN83	SHEET 1 OF 1			

DRAWING NO.	NO. OF SHTS.	PART NO.	DESCRIPTION	REVISIONS																			
				C	D	E	F	G	H	I	J	K	L	M	N	O	P	Q	R	S	T	U	
		5415426-00	DECMATE II	C	D	E	F	G	H	I	J	K	L	M	N	O	P	Q	R	S	T	U	
E-UA-5415426-0-0	1		DECMATE II	C	D	E	E	E	F	F	F												
K-PL-5415426-0-DBP	5		DECMATE II	C	D	E	F	H	J	K	L												
K-PC-5415426-0-DBC			PC DESIGN DATA BASE	CP3	D	D	D	D	D	D	D												
D-CS-5415426-0-1	16		DECMATE II	C	D	E	F	F	F	H	J												
		5015425-00	ETCHED CIRCUIT BOARD	C	D	D	D	D	D	D	D												
B-DD-5015425-0-0	1		DRAWING DIRECTORY	A	B	C	C	C	C	C	C												
		5415426-00				E2	F2	F2	F2	F5	H2												
E-UA-5415426-0-1			DECMATE II			A	A	A	A	A	A												
K-PL-5415426-0-DBP1			DECMATE II			A	B	B	B	C	D												
D-CS-5415426-0-2						A	B	B	B	C	D												
		5015425-00				C	C	C	C	C	C												

**NOTES:** REF. B-DD-5415426-0 REV-B FOR EARLIER REVS,

REVISIONS		DATE	CHG NO.	REV.
		3-83	ML002	C
		5-83	ML003	D
		10-83	ML004	E
		1-84	ML005	F
		1-84	ML006	H
		6-84	ML007	J
		11/84	ML008	K
		1-85	ML009	L

"THIS DRAWING AND SPECIFICATIONS, HEREIN, ARE THE PROPERTY OF DIGITAL EQUIPMENT CORPORATION AND SHALL NOT BE REPRODUCED OR COPIED OR USED IN WHOLE OR IN PART AS THE BASIS FOR THE MANUFACTURE OR SALE OF ITEMS WITHOUT WRITTEN PERMISSION.  
 COPYRIGHT© 1982 DIGITAL EQUIPMENT CORPORATION



USED ON OPTION/MODEL		DRN.	DATE
KK612		RONALD RHOADES	30MAR83
		KENT GLEEZEN	30MAR83
		JOHN KIRK	30MAR83
		BARRY DAVILLI	30MAR83

TITLE			
DECMATE II			
SIZE	CODE	NUMBER	REV.
B	DD	5415426-0	L
SHEET		OF	





AUTOMATED BY PRTLST.3P(44)

PARTS LIST

SHEET A1 OF A5

LINE	ITEM	TOP DOCUMENT	PART NUMBER	MIN REV	DESCRIPTION	QTY PER VARIATION			REFERENCE DESIGNATOR
						AC	AF	AH	
1	1	D-MD-5015425-0-0	5015425-00		DRILL&ETCH BOARD 54-15426 DECMAT	1	1	1	
2	2		1000009-00		*** THIS ITEM IS NOT USED ***	-	-	-	
3	3		1000014-00		*** THIS ITEM IS NOT USED ***	-	-	-	
4	4		1000016-00		*** THIS ITEM IS NOT USED ***	-	-	-	
5	5		1000019-00		*** THIS ITEM IS NOT USED ***	-	-	-	
6	6		1000024-00		*** THIS ITEM IS NOT USED ***	-	-	-	
7	7		1005636-00	22	MFD 6V 10% S.TANT	1	1	1	C5
8	8		1001610-00		.01 MFD 50V +80-20% Z5U CER	1	1	1	C10
9	9		1001631-00		*** THIS ITEM IS NOT USED ***	-	-	-	
10	10		1012121-01		*** THIS ITEM IS NOT USED ***	-	-	-	
11	11		1012312-01		*** THIS ITEM IS NOT USED ***	-	-	-	
12	12		1012784-00		.047 MFD 50V +80-20% CER	64	64	64	C14,C15,C37-C41,C43-C54,C56-C63, CONT C65-C89,C93-C98,C100,C101,C91, CONT C90,C102,C110
13	13		1102421-00		VZ= 6.2 5% 400 MW 1N753A	1	1	1	D8
14	14		1105275-00		*** THIS ITEM IS NOT USED ***	-	-	-	
15	15		1110967-00		PIV= 600 IO= 1.00A 1N4005 DO-41	4	4	4	D12-D15
16	16		1110994-00		VZ= 5.1 5% 400 MW 1N751A	2	2	2	D1,D99
17	17		1111577-00		PIV= 50 IO=200 MA - 4NS 1N4454	6	6	6	D4-D7,D21,D2
18	18		1215006-02		*** THIS ITEM IS NOT USED ***	-	-	-	
19	19		1215006-06		SKT,IC 24PIN DIP TIN SOLD	3	3	3	XE113,XE114,XE115
20	20		1215006-07		*** THIS ITEM IS NOT USED ***	-	-	-	
21	21		1215006-08		SKT,IC 40PIN DIP TIN SOLD	1	1	1	XE94
22	22		1215699-05		PCB,HEADER 12POS(1X13).156CC STR	1	1	1	J5
23	23		1219066-01		PCB HEADER 52PIN(2X26).100CC STR	3	3	3	J8-J10
24	24		1219952-01		*** THIS ITEM IS NOT USED ***	-	-	-	
25	25		1220398-01		CONN,D SUB 9PIN ASSY RT ANGLE	1	1	1	J2
26	26		1220398-02		CONN,D SUB 15PIN ASSY RT ANGLE	1	1	1	J3
27	27		1220398-03		CONN,D SUB 25PIN ASSY RT ANGLE	1	1	1	J1
28	28		1300197-00		33.0 .25 W 5.0 % CF	1	1	1	R21

REVISION HISTORY			BASIC PART NO: 5415426								
ENG!	ECO NUMBER	REV	SECTION A OF A	DRN:	JOHN COTE	DATE:	12-MAR-82	D I G I T A L			
---	INITIAL	A	SECTION VARIATION INDEX	CHK'D:	MIKE FUNARO	DATE:	12-MAR-82	TITLE PARTS LIST DECMATE 2			
PS	5415426-ML001	B	[A] AC,AF,AH	DES.ENG:	JOHN KIRK	DATE:	3-AUG-82	DOCUMENT NUMBER			
RP	5415426-ML002	C	[B]	RESP.ENG.:	JOHN KIRK	DATE:	3-AUG-82	SIZE	CODE	NUMBER	REV
DP	5415426-ML003	D	[C]	MFG.ENG.:	BARRY DAVILLI	DATE:	3-AUG-82	K	PL	5415426-0-DBP	L
PS	5415426-ML004	E	[D]	ASSEMBLY NUMBER:		TOP DOCUMENT NUMBER:		FILE NAME:		EDIT #	
PS	5415426-ML005	F	[E]	E-UA-5415426-0-0		B-DD-5415426-0-0		Z3830L.PLS		32	
DK	5415426-ML006	H	[F]					RELEASE DATE:		29-JAN-85	
DK	5415426-ML007	J	[H]								
BD	5415426-ML008	K	[J]								
DK	5415426-ML009	L	[K]								
			[L]								
			[M]								
			[N]								

"THIS DRAWING AND THE SPECIFICATIONS CONTAINED HEREIN ARE CONFIDENTIAL AND PROPRIETARY. THEY ARE THE PROPERTY OF DIGITAL EQUIPMENT CORPORATION AND SHALL NOT BE REPRODUCED OR COPIED OR USED IN WHOLE OR IN PART AS THE BASIS FOR THE MANUFACTURE OR SALE OF ITEMS WITHOUT WRITTEN PERMISSION. THIS IS AN UNPUBLISHED WORK PROTECTED UNDER THE FEDERAL COPYRIGHT LAWS."

PARTS LIST

LINE	ITEM	TOP DOCUMENT	PART NUMBER	MIN REV	DESCRIPTION	VARIATION	REVISION LEVEL	QTY AC	PER AF	VAH	REFERENCE DESIGNATOR			
29	29		1300202-00		47.0	.25 W 5.0 %	CF	2	2	2	R106, R204			
30	30		1300250-00		150.0	.25 W 5.0 %	CF	1	1	1	R17			
31	31		1300309-00		390.0	.25 W 5.0 %	CF	1	1	1	R22			
32	32		1300365-00		1.0 K	.25 W 5.0 %	CF	12	12	12	R7, R26, R27, R54, R79, R80, R81, R92, R93, R97, R201, R113			
33	33		1300444-00		3.90 K	.25 W 5.0 %	CF	1	1	1	R28			
34	34		1300447-00		4.70 K	.25 W 5.0 %	CF	35	-	-	R18, R19, R24, R30, R59, R61, R74-R78, R83-R91, R98-R105, R107-R112, R200			
			CONT			/		-	35	35	R18, R19, R24, R30, R59, R61, R74-R78, R83-R91, R98-R105, R107, R109-R112, R200, R108			
35	35		1300479-00		10.0 K	.25 W 5.0 %	CF	7	7	7	R31, R32, R37, R35, R70, R96, R95			
36	36		1301322-00		180.0	.25 W 5.0 %	CF	8	8	8	R62-R69			
37	37		1301401-00		750.0	.25 W 5.0 %	CF	1	1	1	R20			
38	38		1301425-00		300.0	.25 W 5.0 %	CF	1	1	1	R94			
39	39		1301808-00		*** THIS ITEM IS NOT USED ***						-	-	-	
40	40		1301972-00		270.0	.25 W 5.0 %	CF	2	2	2	R51, R900			
41	41		1302379-00		75.0	.25 W 5.0 %	CF	1	1	1	R23			
42	42		1302411-00		511.0	.25 W 1.0 %	RN55D-F10	2	2	2	R38, R40			
43	43		1302466-00		100.0 K	.25 W 5.0 %	CF	2	2	2	R82, R15			
44	44		1302612-00		1.78 K	.25 W 1.0 %	RN55D-F10	1	1	1	R50			
45	45		1302872-00		681.0	.25 W 1.0 %	RN55D-F1	1	1	1	R52			
46	46		1303114-00		1.0 K	.25 W 1.0 %	RN55D-F10	3	3	3	R48, R49, R42			
47	47		1304854-00		5.11 K	.25 W 1.0 %	RN55D-F10	2	2	2	R41, R43			
48	48		1304858-00		348.0	.25 W 1.0 %	RN55D-F10	3	3	3	R6, R10, R9			
49	49		1304870-00		6.81 K	.25 W 1.0 %	RN55D-F10	1	1	1	R44			
50	50		1305346-00		27.0 K	.25 W 5.0 %	CF	3	3	3	R55-R57			
51	51		1309143-07		1.0 K	.75 W 10.0 %	POT	1	1	1	R47			
52	52		1309595-00		1.0 M	.25 W 5.0 %	CF	3	3	3	R71-R73			
53	53		1313469-00		240.0	.25 W 5.0 %	CF	1	1	1	R13			
54	54		1313589-00		1.40 K	.25 W 1.0 %	RN55D-F10	2	2	2	R11, R12			
55	55		1313752-00		15.0 K	.25 W 1.0 %	RN55D-F10	4	4	4	R36, R39, R45, R46			
56	56		1316395-00		R NETWORK	9-4.7K 2.0 %	10PIN	5	5	5	R1-R4, R53			
57	57		1317399-00		6.49 K	.25 W 1.0 %	RN55D-F10	1	1	1	R29			
58	58		1320183-01		R NETWORK	9-27K 2.0 %	10PIN	1	1	1	R60			
59	59		1320184-01		R NETWORK	9-180 2.0 %	10PIN	1	1	1	R14			
60	60		1509338-00		DEC6531B	NPN 310MW SI 40 90 P		1	1	1	Q1			
61	61		1517999-00		3906	PNP 900MW ARRAY 14PIN		1	1	1	E33			
62	62		1618238-02		BEAD, FERRITE	.1380DX.330LG		8	8	8	L1-L8			
63	63		1811660-02		OSCILLATOR, XTAL	5.0688 MHZ		1	1	1	E166			
64	64		1811660-40		OSCILLATOR, XTAL	15.741 MHZ		1	1	1	E24			
65	65		1811660-41		OSCILLATOR, XTAL	22.896 MHZ		1	1	1	E59			
66	66		1815860-01		OSCILLATOR, XTAL	16.000 MHZ		1	1	1	E25			
67	67		1909928-00		7416	INVERTER GATE-HEX 1I		3	3	3	E161, E17, E68			
68	68		1909929-00		7417	BUFFER GATE-HEX 1INP		4	4	4	E64, E7, E144, E19			
69	69		1910268-00		DEC 75107B	RECEIVER, LINE, DUAL,		3	3	3	E63, E47, E8			
70	70		1910322-00		DEC 1488L	DRIVER, LINE, QUAD, EI		1	1	1	E127			
71	71		1910323-00		DEC 1489L	RECEIVER, LINE, QUAD,		1	1	1	E104			

D	I	G	I	T	A	L	TITLE	SECTION A	OF A	SIZE	CODE	DOCUMENT NUMBER	REV
							DECMATE 2			K	PL	5415426-0-DBP	L

LINE	ITEM	TOP DOCUMENT	PART NUMBER	MIN REV	DESCRIPTION	QTY PER VARIATION			REFERENCE DESIGNATOR
						AC	AF	AH	
72	72		1910534-00		74S04 INVERTER GATE-HEX 1I	2	2	2	E139,E61
73	73		1910535-00		74S05 INVERTER GATE-HEX 1	1	1	1	E147
74	74		1910544-00		74S74 FF-D DUAL,EDGE TRIGG	1	1	1	E40
75	75		1910545-00		74S112 FF-JK DUAL,EDGE TRIG	1	1	1	E135
76	76		1910547-00		74S153 MUX 1 OF 4 (DUAL)	1	1	1	E41
77	77		1910550-00		74S174 FF-D HEX	1	1	1	E160
78	78		1911219-01	DEC	7438 NAND GATE-QUAD 2IN,B	1	1	1	E9
79	79		1912096-00	DEC	74S86 XOR GATE,QUAD 2IN	1	1	1	E151
80	80		1912388-00		74S02 NOR GATE-QUAD 2IN,PO	1	1	1	E163
81	81		1912647-00		LS257 MUX 1 OF 2 (QUAD)	3	3	3	E116,E119,E131
82	82		1912697-00		LS174 FF-D HEX W/CLEAR	5	5	5	E16,E30,E37,E126,E177
83	83		1912746-00	DEC	74S37 NAND GATE-QUAD 2IN	1	1	1	E65
84	84		1912799-00		LS00 NAND-GATE-QUAD 2IN,P	6	6	6	E124,E66,E44,E154,E157,E35
85	85		1912800-00		LS01 NAND-GATE-QUAD 2IN,P	1	1	1	E103
86	86		1912801-00		LS02 NOR-GATE-QUAD 2IN	5	5	5	E125,E101,E118,E49,E150
87	87		1912803-00		LS04 INVERTER GATE,HEX	3	3	3	E153,E26,E179
88	88		1912805-00		LS08 AND GATE-QUAD 2IN,PO	5	5	5	E182,E155,E123,E18,E156
89	89		1912807-00		LS10 NAND GATE-TRIPLE 3IN	2	2	2	E92,E122
90	90		1912808-00		LS11 AND GATE-TRIPLE 3IN	1	1	1	E136
91	91		1912813-00		LS27 NOR GATE-TRIPLE 3IN	2	2	2	E62,E67
92	92		1912816-00		LS32 OR GATE-QUAD 2IN,POS	11	11	11	E3,E32,E34,E69,E105,E108,E109, CONT E128,E134,E142,E143
93	93		1912824-00		LS74 FF-D DUAL,EDGE TRIGG	15	15	15	E107,E43,E146,E148,E48,E50,E52, CONT E2,E162,E11,E54,E120,E51,E165, CONT E46
94	94		1912829-00		LS86 X-OR GATE-QUAD 2IN	1	1	1	E159
95	95		1912834-00		LS112 FF-JK,DUAL,EDGE TRIG	1	1	1	E4
96	96		1912842-00		LS138 DECODER-THREE INPUT,	3	3	3	E106,E15,E91
97	97		1912843-00		LS139 DECODER, 2 OF 4(DUAL	1	1	1	E36
98	98		1912849-00		LS161 COUNTER,SYNCHR,4BIT	1	1	1	E12
99	99		1912853-00		LS175 FF-D QUAD	1	1	1	E14
100	100		1912858-00		LS221 ONE SHOT-DUAL,SCHMIT	2	2	2	E1,E5
101	101		1912862-00		LS266 X-NOR GATE-QUAD,OPN,	1	1	1	E22
102	102		1912863-00		LS273 FF-D OCTAL W/CLEAR	1	1	1	E137
103	103		1912867-00		LS298 MUX 1 OF 4,2IN W/S	3	3	3	E53,E73,E71
104	104		1912871-00		LS375 LATCH	1	1	1	E152
105	105		1913340-00		74S32 OR GATE-QUAD 2IN	1	1	1	E175
106	106		1913414-00		LS14 INVERTER GATE-HEX SC	1	1	1	E145
107	107		1913471-00		LS367 DRIVER,BUS,HEX,TRI-S	8	8	8	E130,E129,E78,E85,E38,E138,E140, CONT E102
108	108		1914214-00		LS374 FF-D OCTAL EDGE TRIG	5	5	5	E171,E169,E74,E58,E132
109	109		1914451-00		LS393 COUNTER,BINARY,4BIT	2	2	2	E164,E181
110	110		1914466-00		3130E OP AMP MOS/FET IN,CM	1	1	1	E10
111	111		1915123-03		26LS32-3 RECEIVER,LINE RS232	2	2	2	E23,E57
112	112		1915193-00		LS244 DRIVER,LINE,OCTAL,TR	7	7	7	E170,E174,E112,E70,E89,E72,E55
113	113		1915218-00		LS245 TRANSCEIVER,BUS,OCTA	2	2	2	E93,E90
114	114		1915415-00		9636 DRIVER,DUAL,EIA RS-	4	4	4	E20,E21,E39,E56
115	115		1915758-00		*** THIS ITEM IS NOT USED ***	-	-	-	

D	I	G	I	T	A	L	TITLE	SECTION A	OF A	SIZE	CODE	DOCUMENT NUMBER	REV
							DECMATE 2			K	PL	5415426-0-DBP	L

LINE	ITEM	TOP DOCUMENT	PART NUMBER	MIN REV	DESCRIPTION	QTY	PER AC	AF	VAH	VARIATION	REFERENCE DESIGNATOR
116	116		1915932-00		LS125 BUFFER,QUAD BUS	3	3	3			E110,E111,E133
117	117		1916139-00		LS126A BUS DRIVER,QUAD	3	3	3			E60,E117,E158
118	118		1920373-01		LS137 DECODER,3 TO 8	1	1	1			E141
119	119		2112623-00		DUAL BAUD RATE GEN/PROG DIVIDER,	2	2	2			E121,E178
120	120		2113937-00		UART 125K BUAD	2	2	2			E98,E99
121	121		2114212-00		P 2114-2 RAM,1024X4,STATIC	2	2	2			E28,E29
122	122		2115108-00		HM 6121 I/O CONTROLLER FOR 6	3	3	3			E95-E97
123	123		2117872-01		RAM 2KX8 I/O MUXD 20	1	1	1			E172
124	124		2118172-03		6120 MICROPROCESSOR 12-BI	1	1	1			E94
125	125		2118467-02		8264-15 RAM 64K X1,150NS 1	12	-	-			E75-E77,E79-E84,E86-E88
126	126		2118823-00		1793-02 FLOPPY DISK FORMAT	1	1	1			E31
127	127		2118856-00		CONTROLLER,MULTI-PROTOCOL SERIAL	1	1	1			E100
128	128		2120065-01		9007 CONTROLLER,CRT	1	1	1			E149
129	129		2120066-01		BUFFER,SINGLE ROW	2	2	2			E167,E168
130	130		23008M1-00		M1-01	1	1	1			E27
131	131		23114E4-00		E4-06,E4-07 ROM	1	1	1			E173
132	132		23358E2-00		*** THIS ITEM IS NOT USED ***	-	-	-			
133	133		23359E2-00		*** THIS ITEM IS NOT USED ***	-	-	-			
134	134		23350E2-00		*** THIS ITEM IS NOT USED ***	-	-	-			
135	135		23640A2-00		A2-05,A2-08 RO	1	1	1			E13
136	136		9006732-00		*** THIS ITEM IS NOT USED ***	-	-	-			
137	137		9009185-00		JUMPER, WIRE, INSULATED, BLACK B	3	3	3			W4,W2,W3
138	138		9105740-55		WIRE(WRAP) 30AWG KYNAR UL14	A/R	A/R	A/R			
139	139		9107256-00		*** THIS ITEM IS NOT USED ***	-	-	-			
140	140		1110603-00		SCHOTTKY PIV= 70 IO= 15 MA	2	2	2			D10,D11
141	141		1300229-00		100.0 .25 W 5.0 % CF	2	2	2			R202,R203
142	142		1305374-00		*** THIS ITEM IS NOT USED ***	-	-	-			
143	143		1316395-01		*** THIS ITEM IS NOT USED ***	-	-	-			
144	144		1914082-00		74S163 COUNTER,SYNCH UP/DOW	1	1	1			E42
145	145		1912838-00		LS132 NAND GATE-QUAD 2IN P	1	1	1			E6
146	146		2120880-01		74HC74 FF-D,DUAL CMOS	1	1	1			E45
147	147		1017472-00		*** THIS ITEM IS NOT USED ***	-	-	-			
148	148		7427758-01		*** THIS ITEM IS NOT USED ***	-	-	-			
149	149		7427758-02		*** THIS ITEM IS NOT USED ***	-	-	-			
150	150	SEE NOTE	1220511-03		PCB HEADER 33PIN(2X17).100CC STR	1	1	1			J6
151	151	SEE NOTE	1220511-02	A	PCB HEADER 33PIN(2X17).100CC STR	1	1	1			J7
152	152	SEE NOTE	7427524-01		*** THIS ITEM IS NOT USED ***	-	-	-			
153	153		9000024-01		EYELET,ROLLED 0.1210DX0.192	6	6	6			
154	154		1302955-00		*** THIS ITEM IS NOT USED ***	-	-	-			
155	155		2118172-01		*** THIS ITEM IS NOT USED ***	-	-	-			
156	156		2118470-02		4864-2 MOS RAM 64K X1,150	-	12	-			E75-E77,E79-E84,E86-E88
157	157		2118472-02		4164-3 MOS RAM 64K X1,150	-	-	12			E75-E77,E79-E84,E86-E88
158	158		1012121-00		*** THIS ITEM IS NOT USED ***	-	-	-			
159	159		9107256-11		*** THIS ITEM IS NOT USED ***	-	-	-			
160	160		1300299-00		*** THIS ITEM IS NOT USED ***	-	-	-			
161	161		1013466-04		33.0 MMF 50V 5% CER	1	1	1			C12
162	162		1013466-25		68.0 MMF 50V 5% CER	2	2	2			C4,C8
163	163		1013466-06		100.0 MMF 50V 5% CER	1	1	1			C6

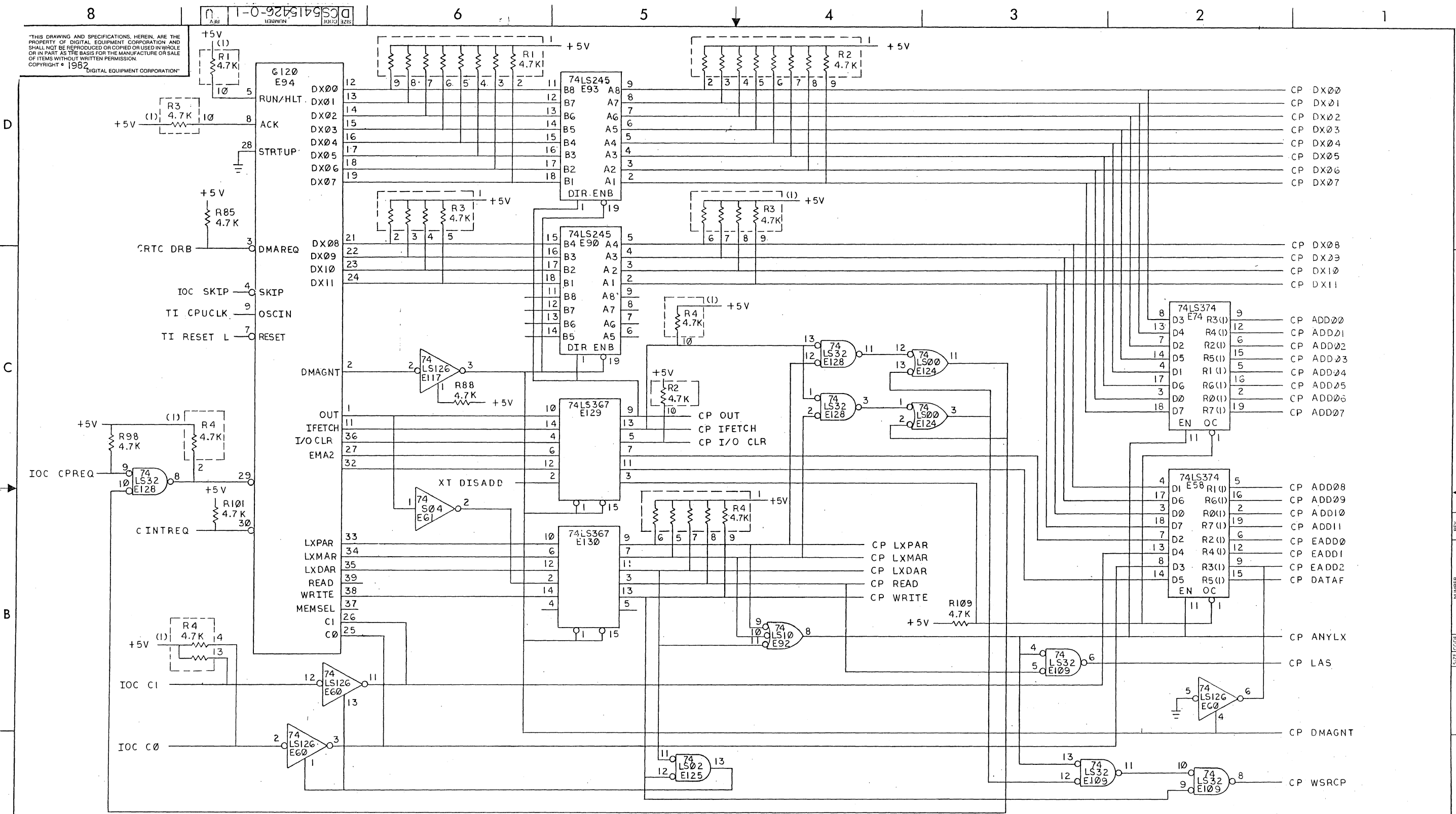
D	I	G	I	T	A	L	TITLE	DECMATE 2	SECTION A	OF A	SIZE	CODE	DOCUMENT NUMBER	REV
											K	PL	5415426-0-DBP	L

LINE ITEM	TOP DOCUMENT	PART NUMBER	MIN REV	DESCRIPTION	QTY PER VARIATION			REFERENCE DESIGNATOR
					AC	AF	AH	
164	164	1013466-17		150.0 MMF 50V 5% CER	3	3	3	C1,C200,C201
165	165	1013466-19		470.0 MMF 50V 5% CER	6	6	6	C13,C21-C25
166	166	1013466-41		390.0 MMF 50V 5% NPO CER	2	2	2	C11,C111
167	167	1013466-11		.22 MFD 50V +80-20% Z5U CER	4	4	4	C33-C36
168	168	1013466-14		82.0 MMF 50V 5% CER	1	1	1	C3
169	169	1013466-45		220.0 MMF 1 50V 1% NPO CER	2	2	2	C2,C7
170	170	1302685-00		909.0 .25 W 1.0 % RN55D-F10	1	1	1	R8
171	171	1212518-07		*** THIS ITEM IS NOT USED ***	-	-	-	
172	172	1219251-00		PCB HEADER 02PIN(1X02).100CC STR	1	1	1	J11
173	173	BLANK			-	-	0	
174	174	23390E2-00	A	*** THIS ITEM IS NOT USED ***	-	-	-	
175	175	23391E2-00	A	*** THIS ITEM IS NOT USED ***	-	-	-	
176	176	23392E2-00	A	*** THIS ITEM IS NOT USED ***	-	-	-	
177	177	1915758-01		LS166 SHIFT REG. 8BIT PARA	1	1	1	E176
178	178	1910532-00		74S00 NAND GATE-QUAD 2IN	1	1	1	E180
179	179	23399E2-00		E2-05	1	1	1	E113
180	180	23400E2-00		E2-05	1	1	1	E114
181	181	23401E2-00		E2-05	1	1	1	E115

- 182 NOTE: 7427758-01, 02 MAY BE SUBSTITUTED FOR 1220511-02, 03 RESPECTIVELY AS A GROUP.
- 183 NOTE: NOTE THAT 7427524-01 IS TO BE USED ONLY WITH THE 1220511 CONNECTORS.
- 184 NOTE: 5415426-A IS THE BASE VARIATION OF THE MODULE.
- 185 NOTE: 5415426-AC USES FUJISTU 64K MOS MEMORY.
- 186 NOTE: 5415426-AF USES HITACHI 64K MOS MEMORY.
- 187 NOTE: 5415426-AH USES NEC 64K MOS MEMORY.

D	I	G	I	T	A	L	TITLE	DECIMATE 2	SECTION A OF A	SIZE	CODE	DOCUMENT NUMBER	REV
										K	PL	5415426-0-DBP	L

THIS DRAWING AND SPECIFICATIONS, HEREIN, ARE THE PROPERTY OF DIGITAL EQUIPMENT CORPORATION AND SHALL NOT BE REPRODUCED OR COPIED OR USED IN WHOLE OR IN PART AS THE BASIS FOR THE MANUFACTURE OR SALE OF ITEMS WITHOUT WRITTEN PERMISSION.  
 COPYRIGHT © 1982 DIGITAL EQUIPMENT CORPORATION



REV.	ECO NUMBER	DATE	BY
1	5415426-ML001	1-17-80	D. PUCCI
2	5415426-ML002	3-2-82	D. PUCCI
3	5415426-ML003	7/1/82	RICHARD PUCCI
4	5415426-ML004	1/16/83	PETE SCANTLBURY
5	5415426-ML005	1-6-84	PETE SCANTLBURY
6	5415426-ML008	11-12-84	AL JOHNS
7	5415426-ML009	12-10-84	RICHARD SHOLLER
8	5415426-ML010	5-25-85	AL JOHNS

AL JOHNS  
 RICHARD SHOLLER  
 AL JOHNS  
 Steve Harvey / FEB85

DPN: <i>Pita Z. Bureau</i> CHKD: <i>[Signature]</i> DES. ENG: <i>[Signature]</i> RESP. ENG: <i>[Signature]</i> MFG. ENG: <i>[Signature]</i> NEXT HIGHER DOC: B-DD-5415426-0	DATE: 4-aug-82 DATE: 17-11-82 DATE: 04-AUG-82 DATE: 04-AUG-82 DATE: 12-11-82	TITLE: digital DECMATE 2 (CP) DOCUMENT NUMBER: D CS5415426-0-1 SHEET 1 OF 16
--	--	--

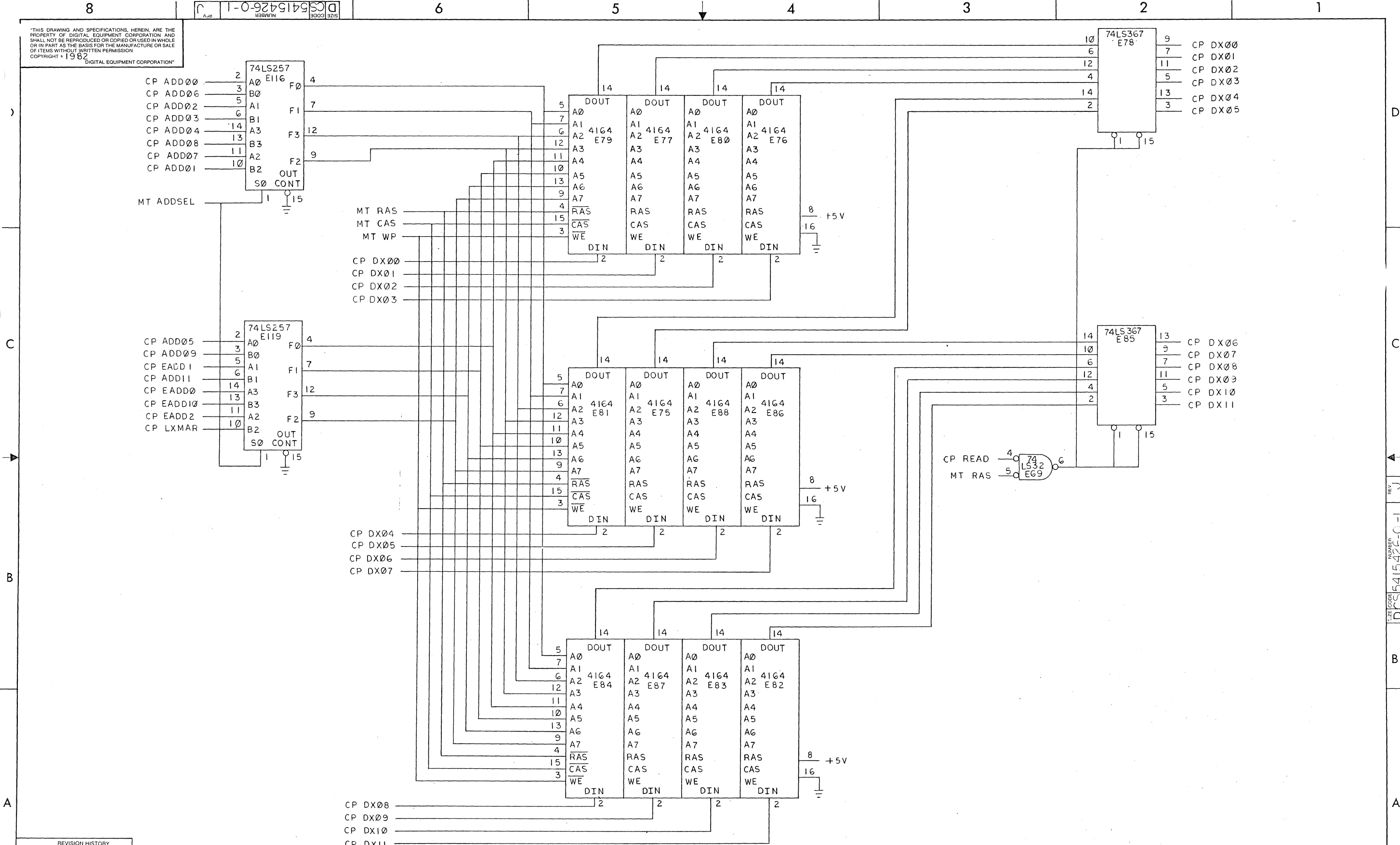






THIS DRAWING AND SPECIFICATIONS, HEREIN, ARE THE PROPERTY OF DIGITAL EQUIPMENT CORPORATION AND SHALL NOT BE REPRODUCED OR COPIED OR USED IN WHOLE OR IN PART AS THE BASIS FOR THE MANUFACTURE OR SALE OF ITEMS WITHOUT WRITTEN PERMISSION. COPYRIGHT © 1982 DIGITAL EQUIPMENT CORPORATION.

DCS5415426-0-1



REVISION HISTORY		
DATE	ECO NUMBER	REV.

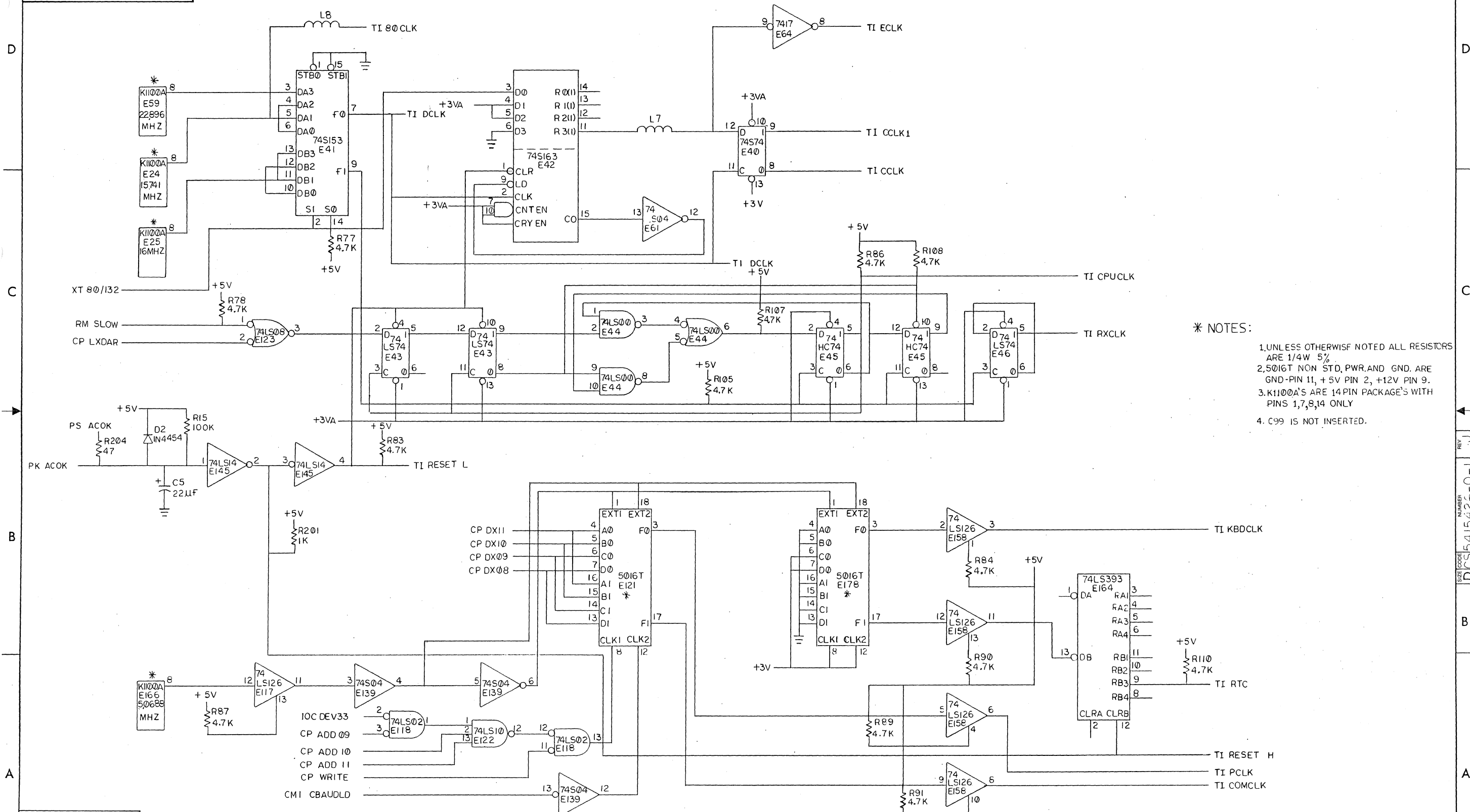
(MEMORY ARRAY)

DECIMATE  
2 (MA)

DOCUMENT NUMBER		REV.
SIZE	CODE	NUMBER
D	CS	5415426-0-1
SCALE		SHEET 4 OF 16

DCS5415426-0-1

"THIS DRAWING AND SPECIFICATIONS, HEREIN, ARE THE PROPERTY OF DIGITAL EQUIPMENT CORPORATION AND SHALL NOT BE REPRODUCED OR COPIED OR USED IN WHOLE OR IN PART AS THE BASIS FOR THE MANUFACTURE OR SALE OF ITEMS WITHOUT WRITTEN PERMISSION. COPYRIGHT © 1982 DIGITAL EQUIPMENT CORPORATION"



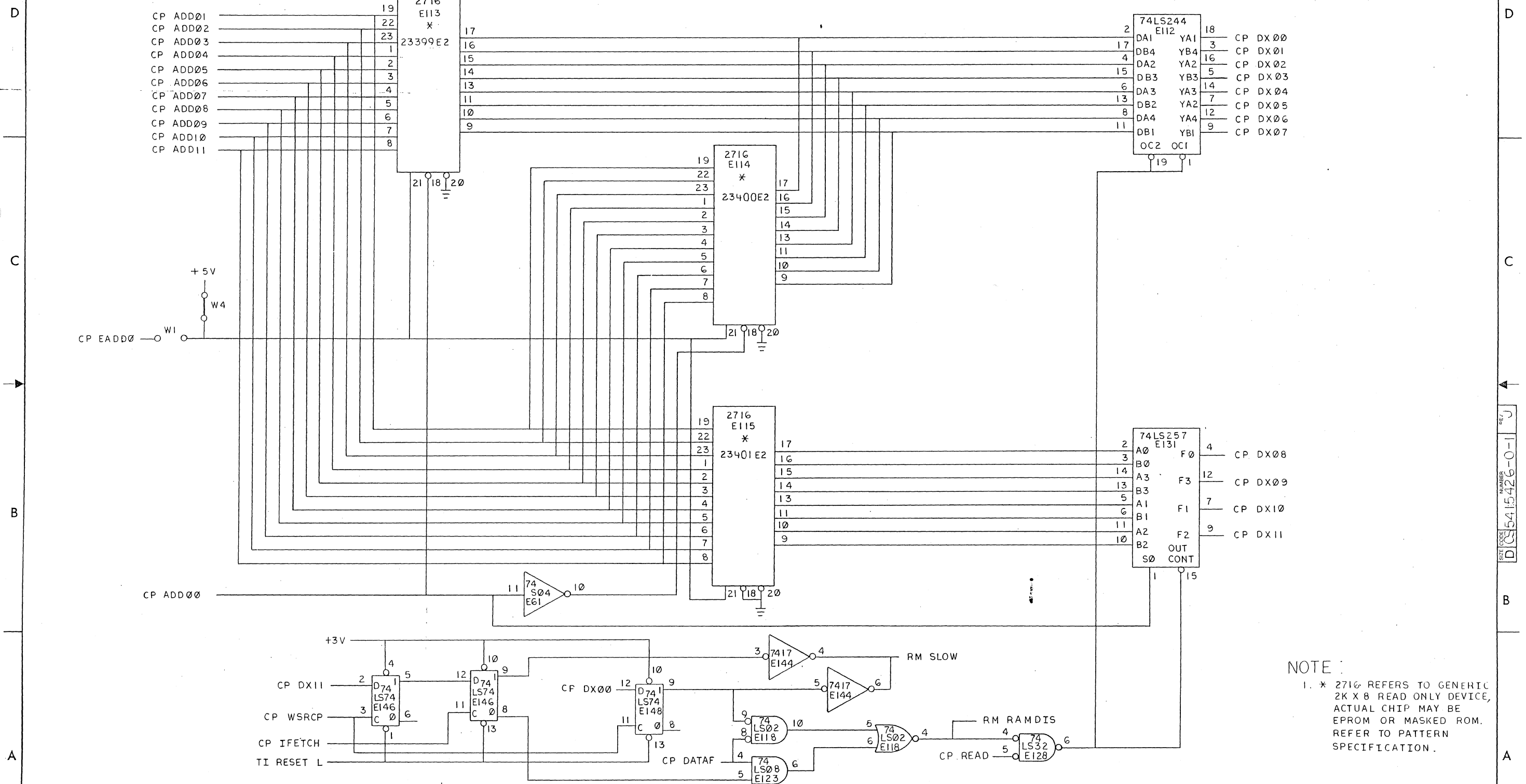
- \* NOTES:
1. UNLESS OTHERWISE NOTED ALL RESISTORS ARE 1/4W 5%.
  2. 5016T NON STD. PWR. AND GND. ARE GND-PIN 11, +5V PIN 2, +12V PIN 9.
  3. K1100A'S ARE 14 PIN PACKAGE'S WITH PINS 1,7,8,14 ONLY
  4. C99 IS NOT INSERTED.

REVISION HISTORY		
DATE	ECO NUMBER	REV.

TITLE DECIMATE 2 (CLOCK)		DOCUMENT NUMBER DCS5415426-0-1	
SCALE 1:1	SHEET 5	OF 16	REV. J

DCS5415426-0-1

THIS DRAWING AND SPECIFICATIONS, HEREIN, ARE THE PROPERTY OF DIGITAL EQUIPMENT CORPORATION AND SHALL NOT BE REPRODUCED OR COPIED OR USED IN WHOLE OR IN PART AS THE BASIS FOR THE MANUFACTURE OR SALE OF ITEMS WITHOUT WRITTEN PERMISSION.  
 COPYRIGHT © 1982 DIGITAL EQUIPMENT CORPORATION

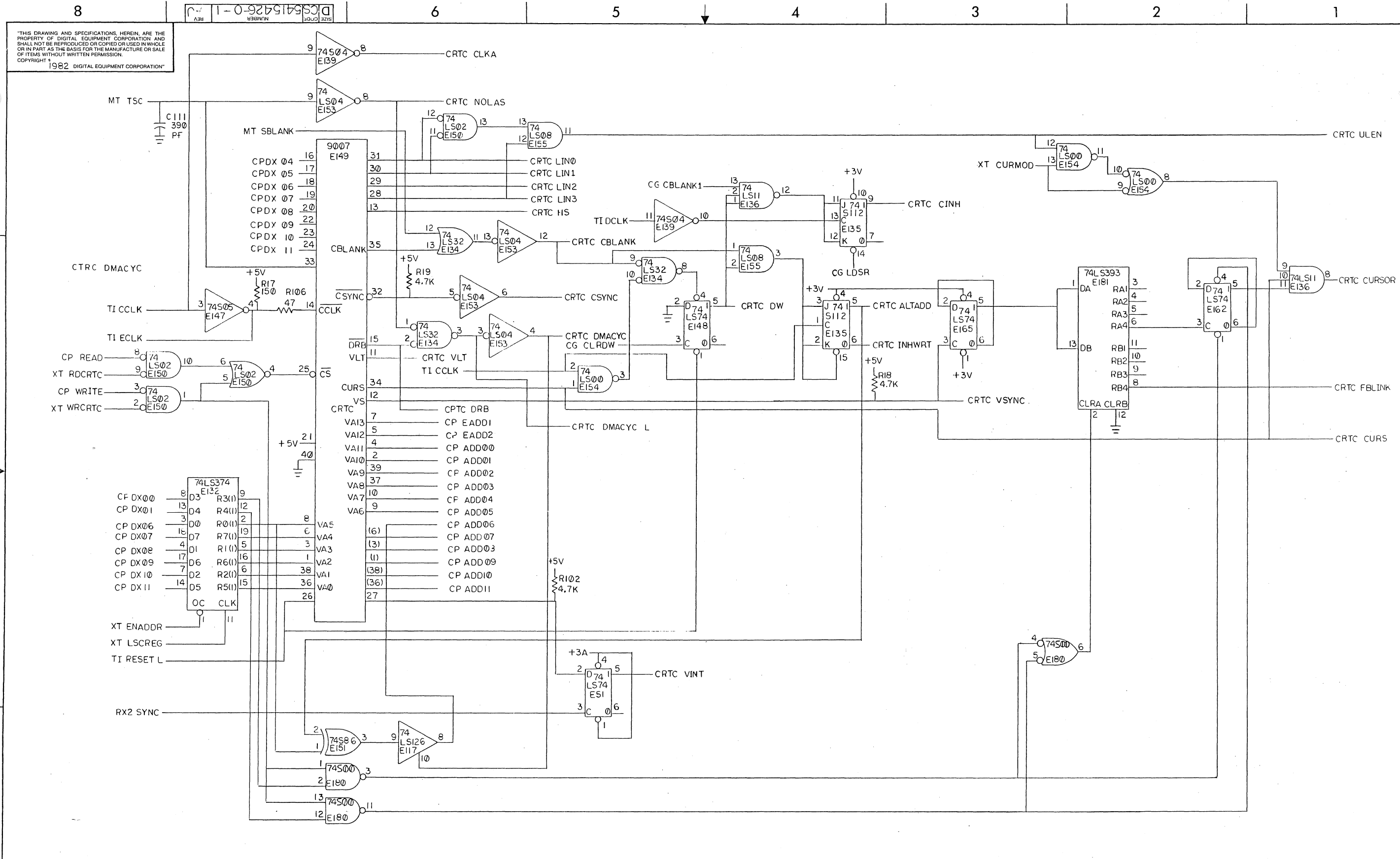


NOTE:  
 1. \* 2716 REFERS TO GENERIC 2K X 8 READ ONLY DEVICE, ACTUAL CHIP MAY BE EPROM OR MASKED ROM. REFER TO PATTERN SPECIFICATION.

REVISION HISTORY		
DATE	ECO NUMBER	REV.

TITLE		DOCUMENT NUMBER	
DECMATE 2 (RM)		DCS 5415426-0-1 J	
SCALE		SHEET 6 OF 16	

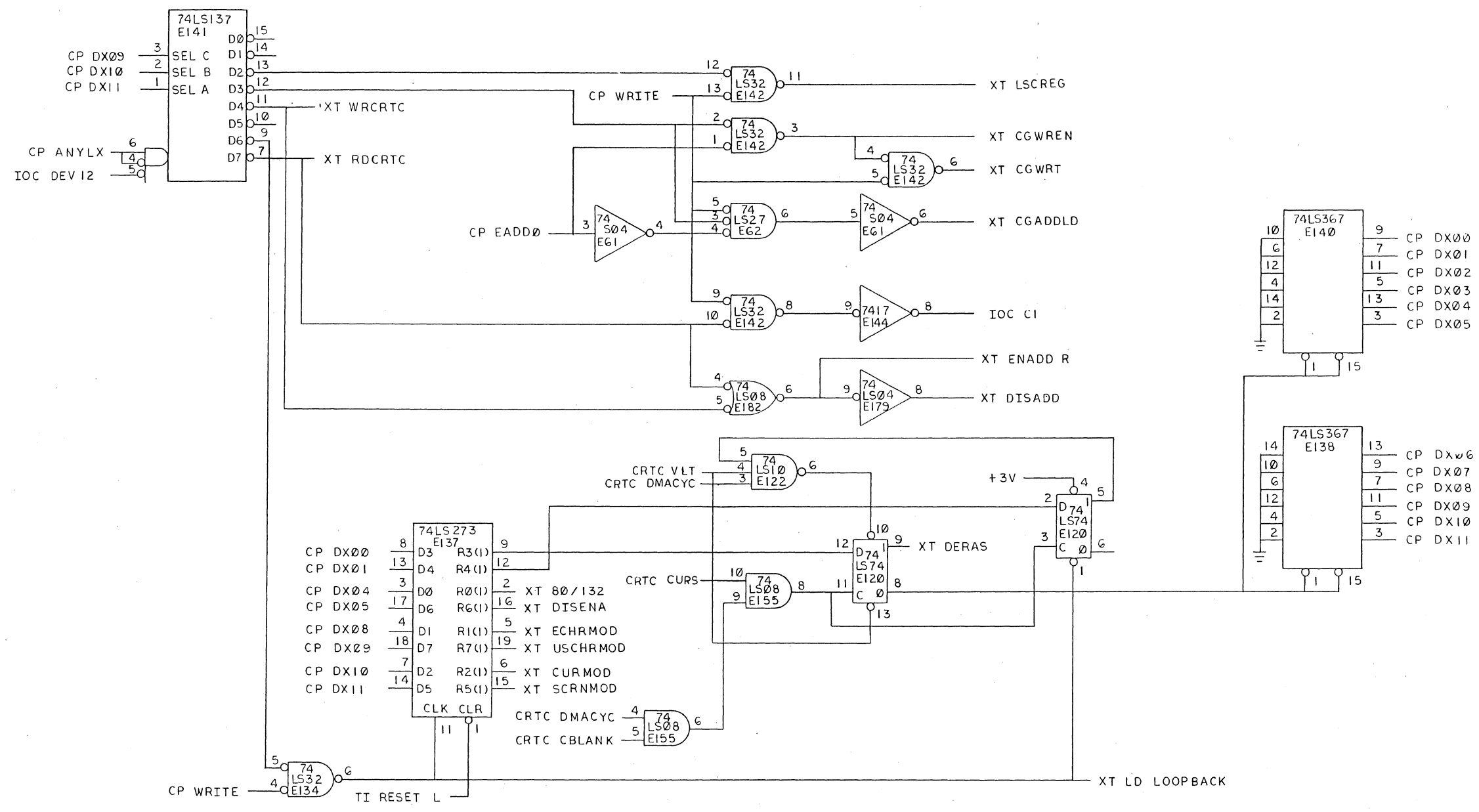
DCS 5415426-0-1 J



REVISION HISTORY		
DATE	ECO NUMBER	REV.

TITLE		DOCUMENT NUMBER	
DECIMATE 2 (CRTC)		DCS 5415426-0-1 J	
SCALE	SHEET 7	OF 16	REV

"THIS DRAWING AND SPECIFICATIONS, HEREIN, ARE THE PROPERTY OF DIGITAL EQUIPMENT CORPORATION AND SHALL NOT BE REPRODUCED OR COPIED OR USED IN WHOLE OR IN PART AS THE BASIS FOR THE MANUFACTURE OR SALE OF ITEMS WITHOUT WRITTEN PERMISSION. COPYRIGHT © 1982 DIGITAL EQUIPMENT CORPORATION"

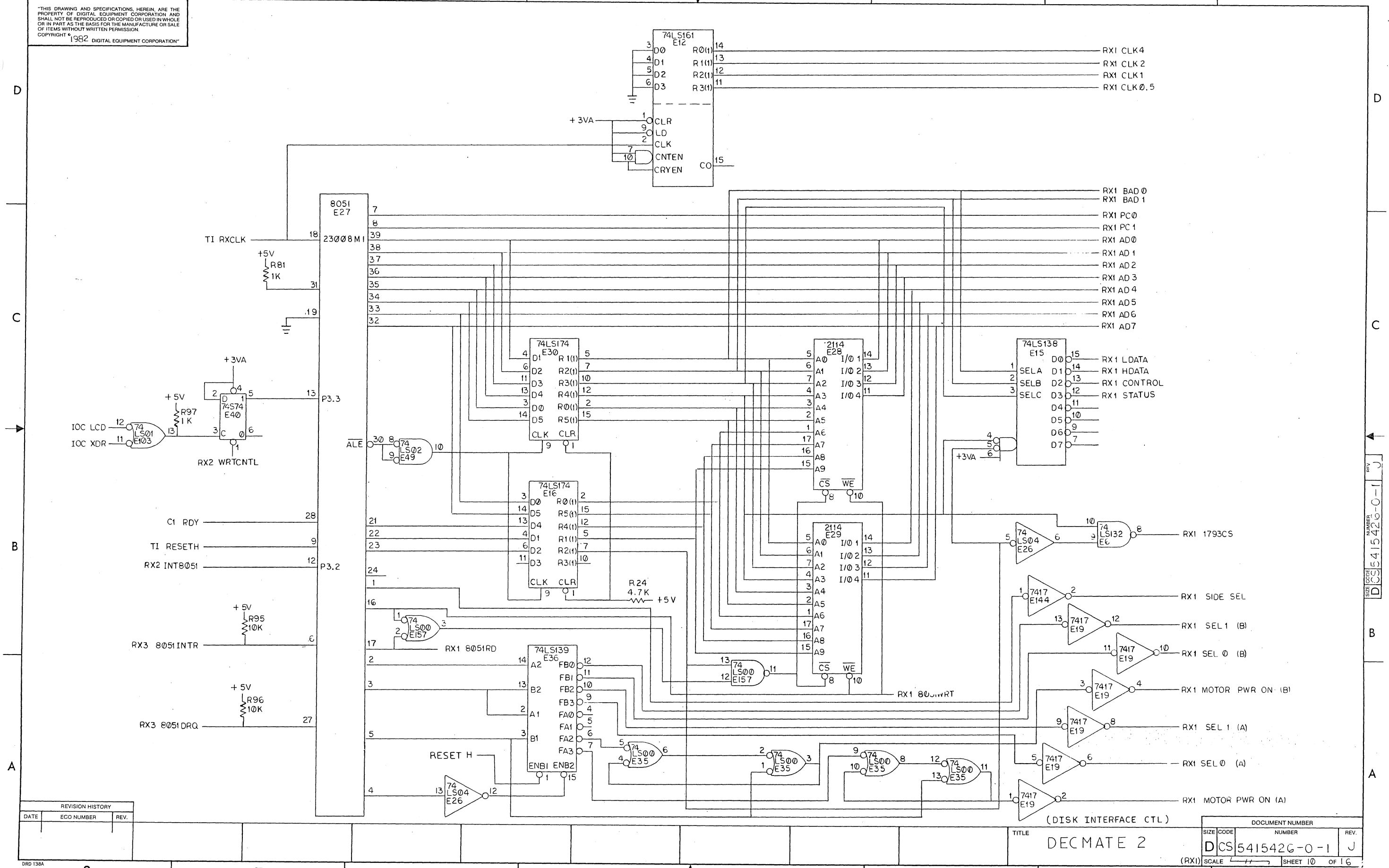


REVISION HISTORY		
DATE	ECO NUMBER	REV.



"THIS DRAWING AND SPECIFICATIONS, HEREIN, ARE THE PROPERTY OF DIGITAL EQUIPMENT CORPORATION AND SHALL NOT BE REPRODUCED OR COPIED OR USED IN WHOLE OR IN PART AS THE BASIS FOR THE MANUFACTURE OR SALE OF ITEMS WITHOUT WRITTEN PERMISSION.  
 COPYRIGHT © 1982 DIGITAL EQUIPMENT CORPORATION"

DCS 541542G-0-1  
 SIZE CODE NUMBER



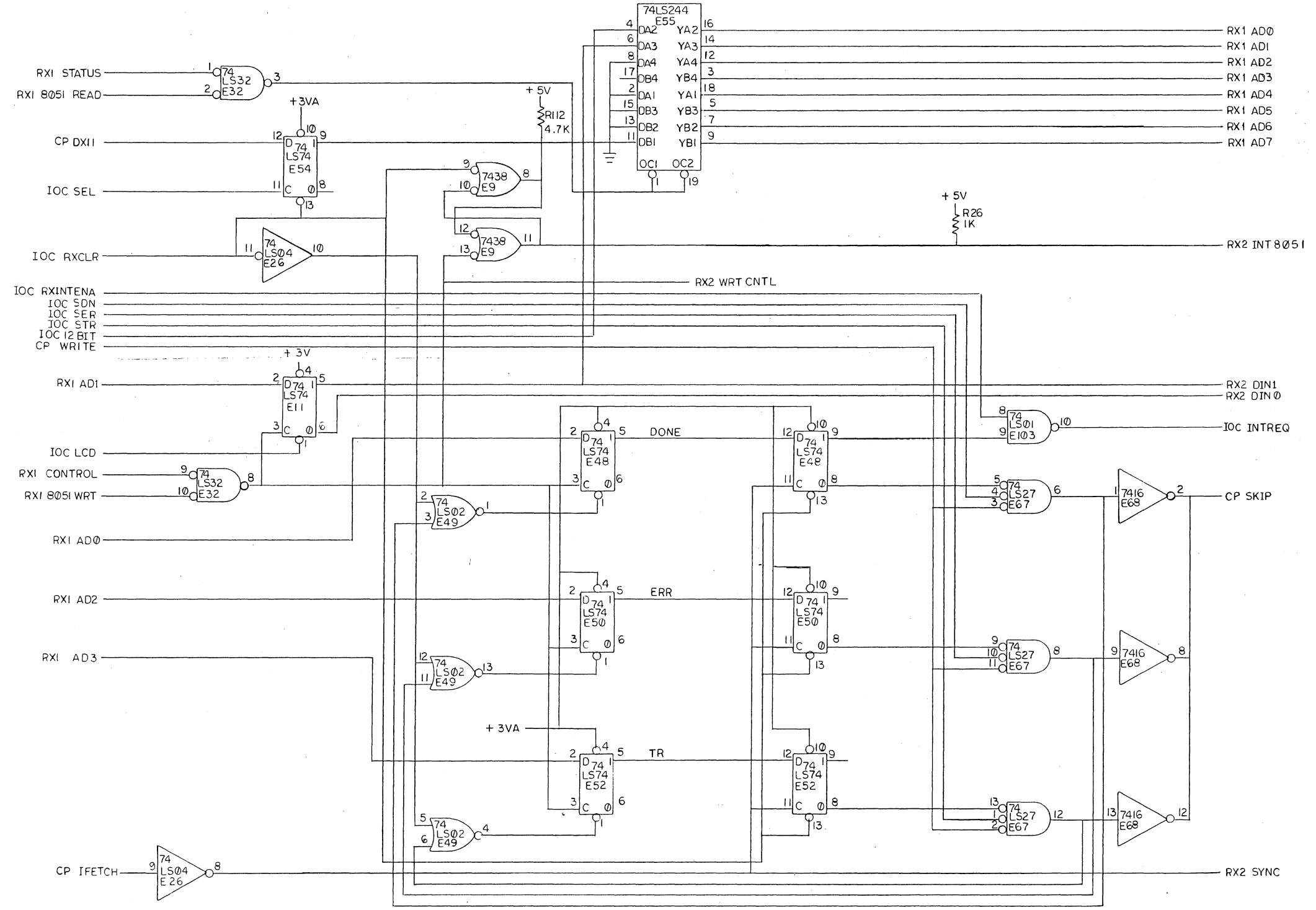
REVISION HISTORY		
DATE	ECO NUMBER	REV.

THIS DRAWING AND SPECIFICATIONS, HEREIN, ARE THE PROPERTY OF DIGITAL EQUIPMENT CORPORATION AND SHALL NOT BE REPRODUCED OR COPIED OR USED IN WHOLE OR IN PART AS THE BASIS FOR THE MANUFACTURE OR SALE OF ITEMS WITHOUT WRITTEN PERMISSION.  
 COPYRIGHT © 1982 DIGITAL EQUIPMENT CORPORATION

DCS 5415426-0-1  
 REV. J  
 SIZE CODE NUMBER

D  
C  
B  
A

D  
C  
B  
A



REVISION HISTORY		
DATE	ECO NUMBER	REV.

(RX FLAGS)  
 TITLE  
 DECMATE 2

DOCUMENT NUMBER		
SIZE CODE	NUMBER	REV.
DCS	5415426-0-1	J

(RX2) SCALE 1/16 SHEET 11 OF 16



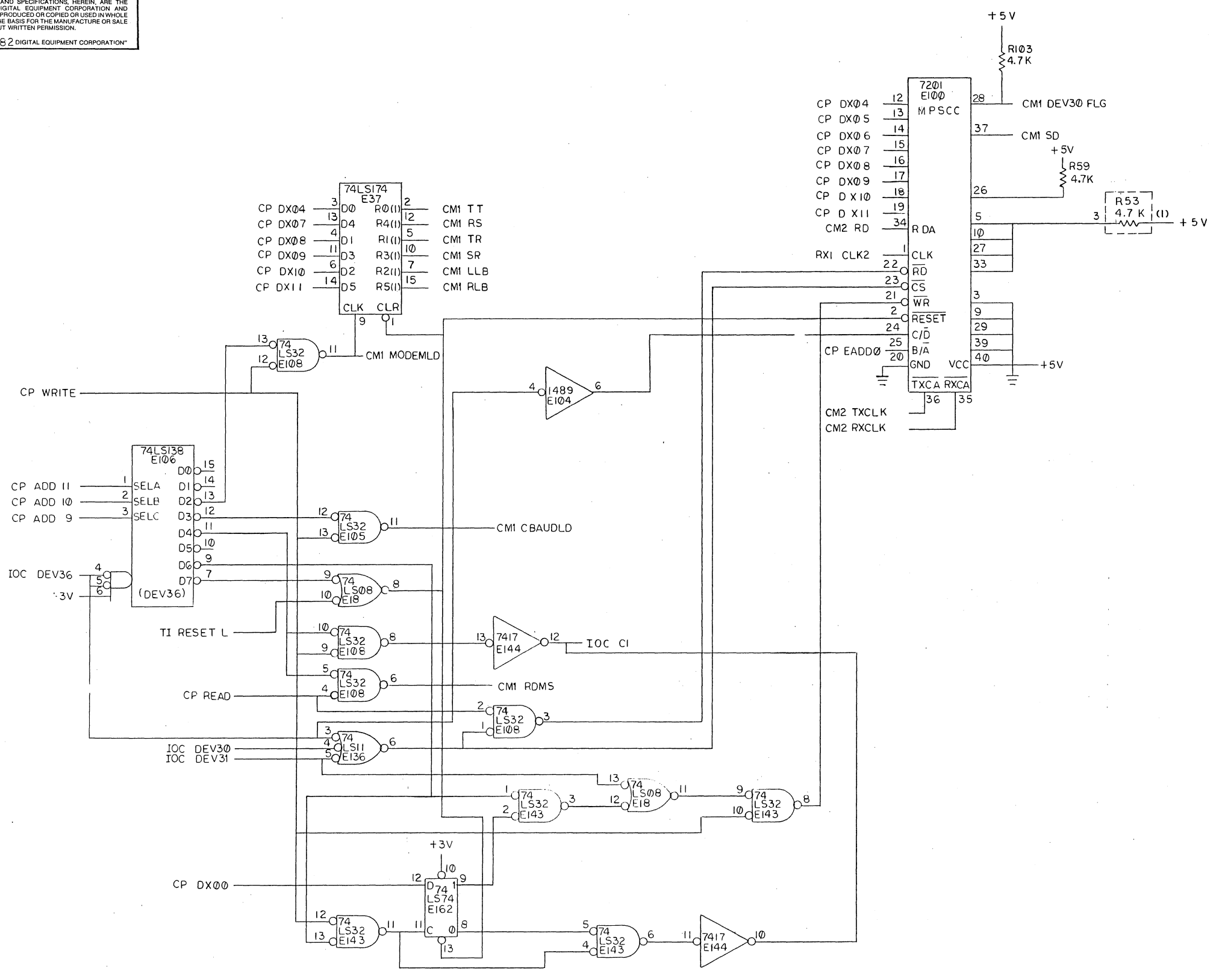




"THIS DRAWING AND SPECIFICATIONS, HEREIN, ARE THE PROPERTY OF DIGITAL EQUIPMENT CORPORATION AND SHALL NOT BE REPRODUCED OR COPIED OR USED IN WHOLE OR IN PART AS THE BASIS FOR THE MANUFACTURE OR SALE OF ITEMS WITHOUT WRITTEN PERMISSION.  
 COPYRIGHT © 1982 DIGITAL EQUIPMENT CORPORATION"

D  
C  
B  
A

D  
C  
B  
A



REVISION HISTORY		
DATE	ECO NUMBER	REV.

(COMMUNICATIONS)		DOCUMENT NUMBER	
TITLE DECMATE 2		SIZE CODE DCS 5415426-0-1	NUMBER REV. J
(CMI)		SCALE	SHEET 14 OF 16

THIS DRAWING AND SPECIFICATIONS, HEREIN, ARE THE PROPERTY OF DIGITAL EQUIPMENT CORPORATION AND SHALL NOT BE REPRODUCED OR COPIED OR USED IN WHOLE OR IN PART AS THE BASIS FOR THE MANUFACTURE OR SALE OF ITEMS WITHOUT WRITTEN PERMISSION. COPYRIGHT © 1982 DIGITAL EQUIPMENT CORPORATION

D

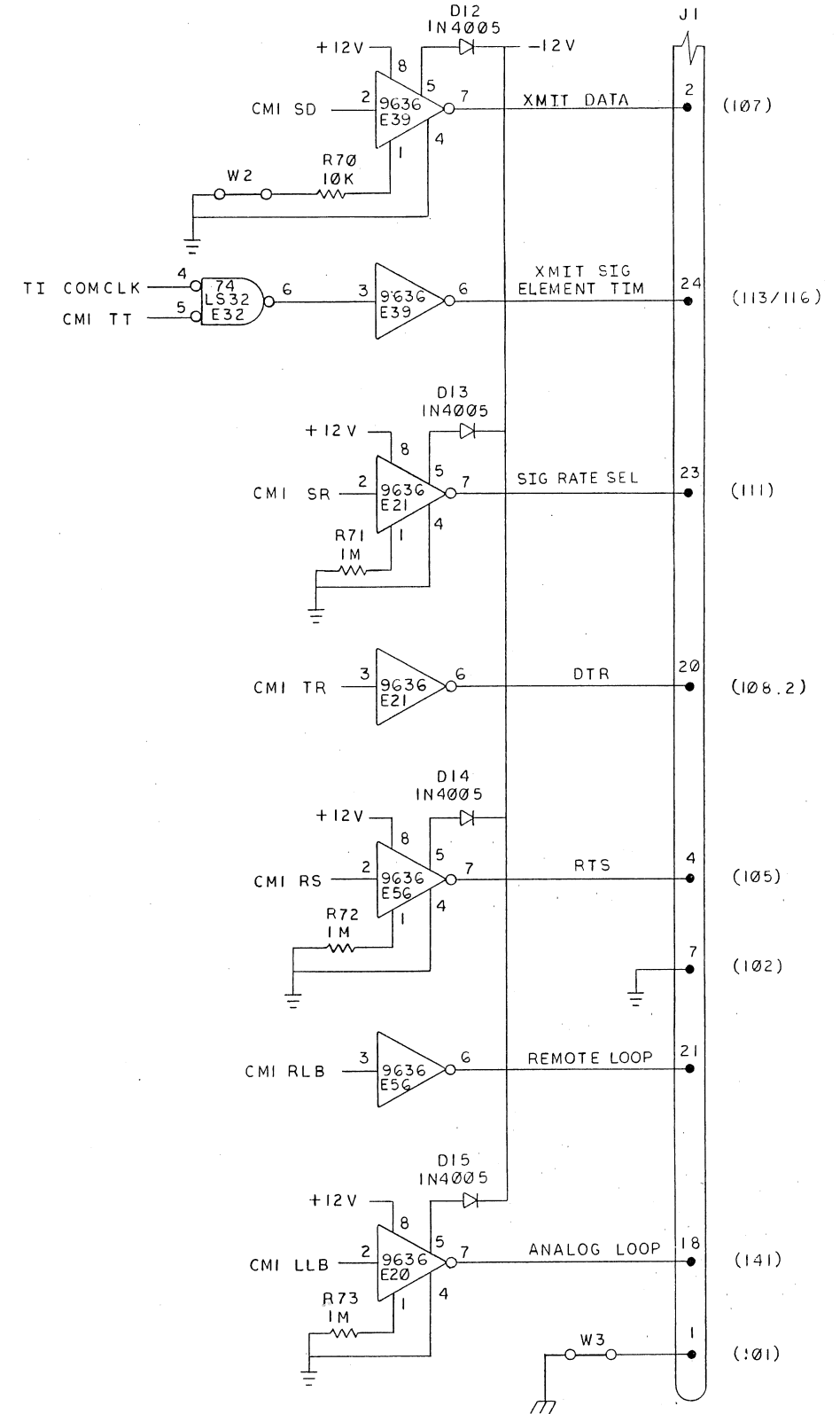
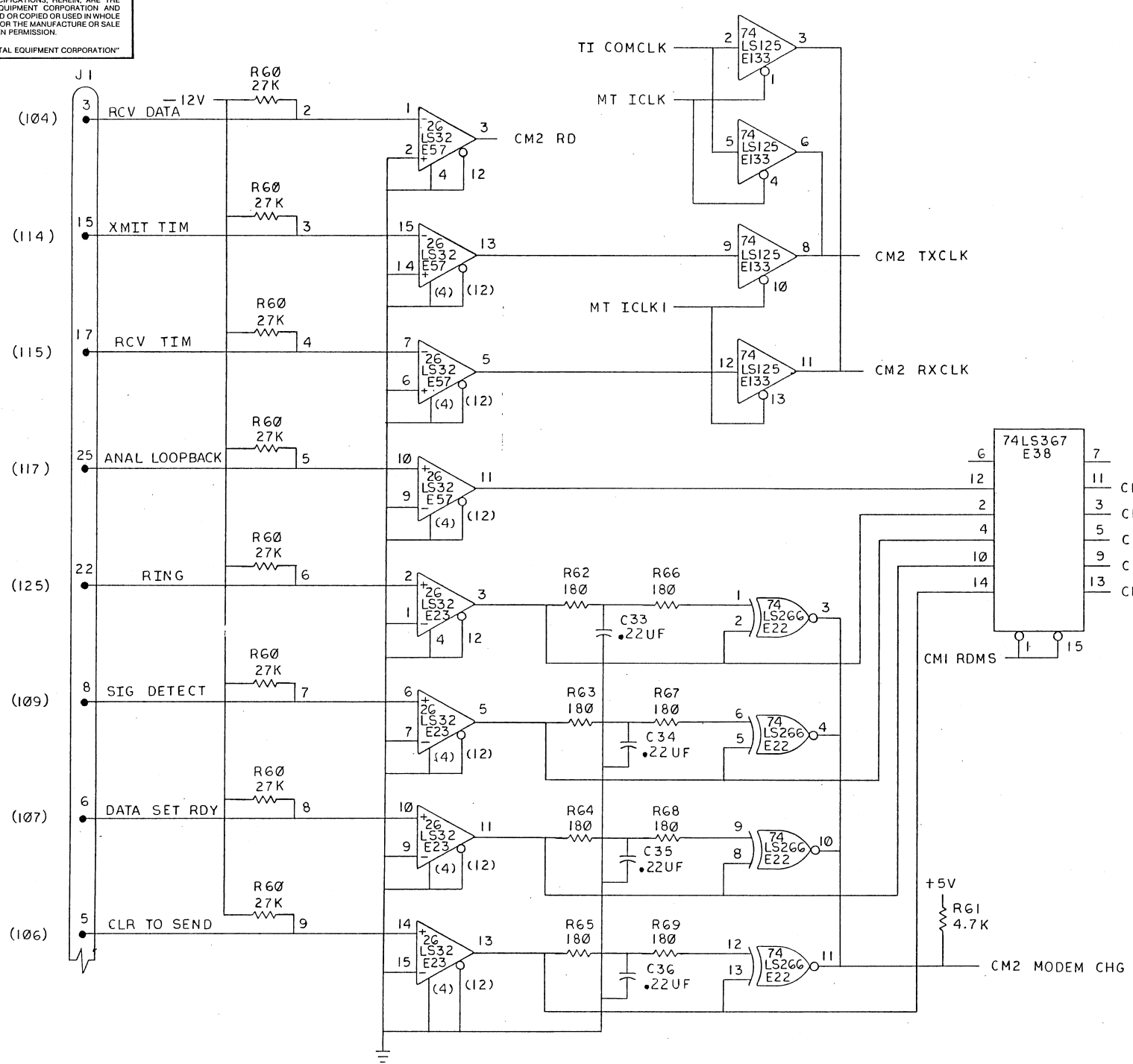
D

B

B

A

A



REVISION HISTORY		
DATE	ECO NUMBER	REV.

(COMMUNICATIONS)

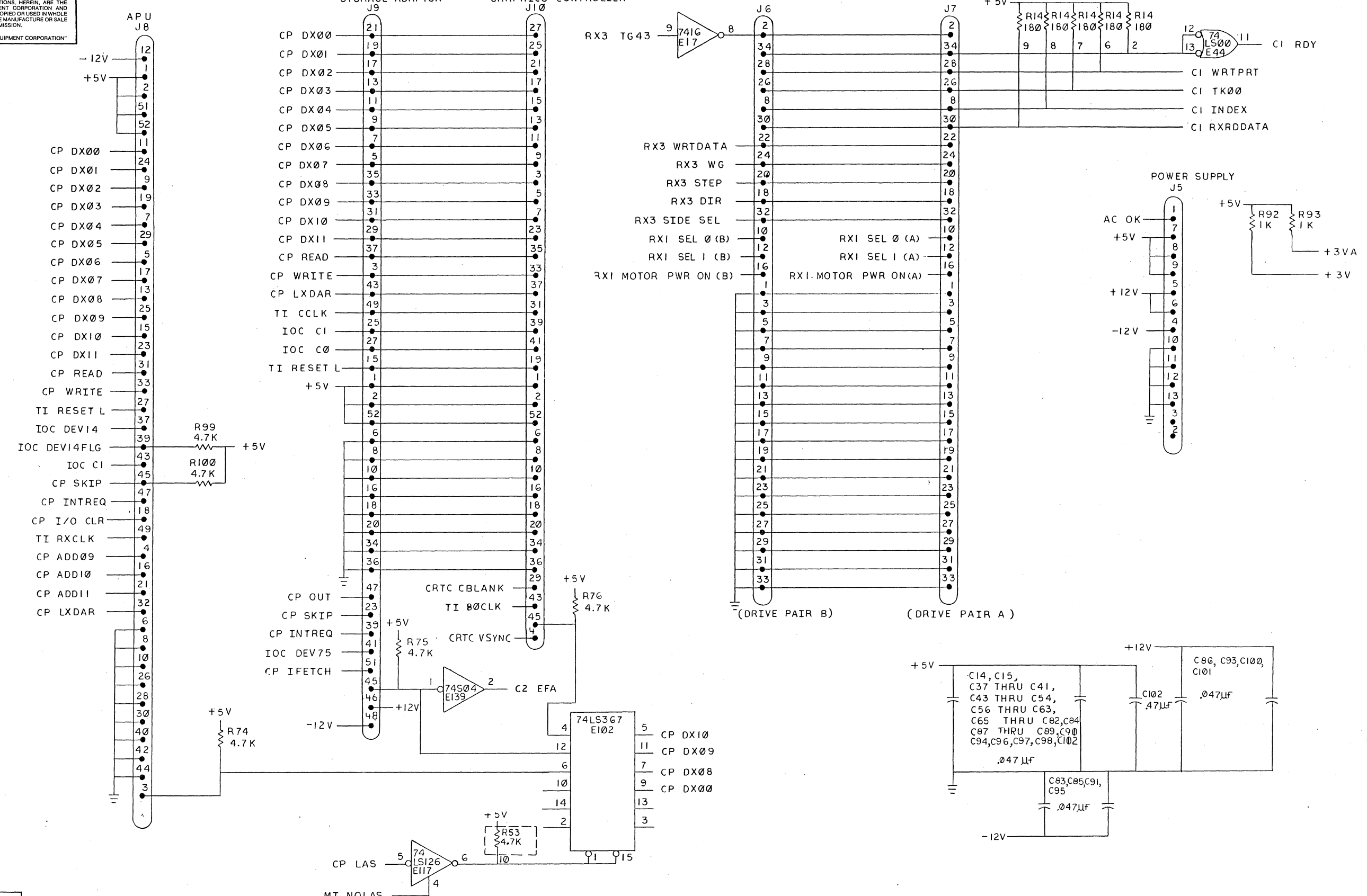
TITLE  
DECMATE 2  
(CM2)

DOCUMENT NUMBER		
SIZE	CODE	NUMBER
DCS	5415426-0-1	J
SCALE	SHEET 15 OF 16	

THIS DRAWING AND SPECIFICATIONS, HEREIN, ARE THE PROPERTY OF DIGITAL EQUIPMENT CORPORATION AND SHALL NOT BE REPRODUCED OR COPIED OR USED IN WHOLE OR IN PART AS THE BASIS FOR THE MANUFACTURE OR SALE OF ITEMS WITHOUT WRITTEN PERMISSION.  
 COPYRIGHT © 1987 DIGITAL EQUIPMENT CORPORATION

REV. 1  
 NUMBER 5415426-0-1  
 SIZE CODE DCS

STORAGE ADAPTOR GRAPHICS CONTROLLER



REVISION HISTORY		
DATE	ECO NUMBER	REV.

CONNECTORS		DOCUMENT NUMBER	
TITLE	NUMBER	SIZE CODE	REV.
DECMATE 2	(C1)	DCS 5415426-0-1	J
SCALE		SHEET 16 OF 16	

REV. J  
 NUMBER 5415426-0-1  
 SIZE CODE DCS



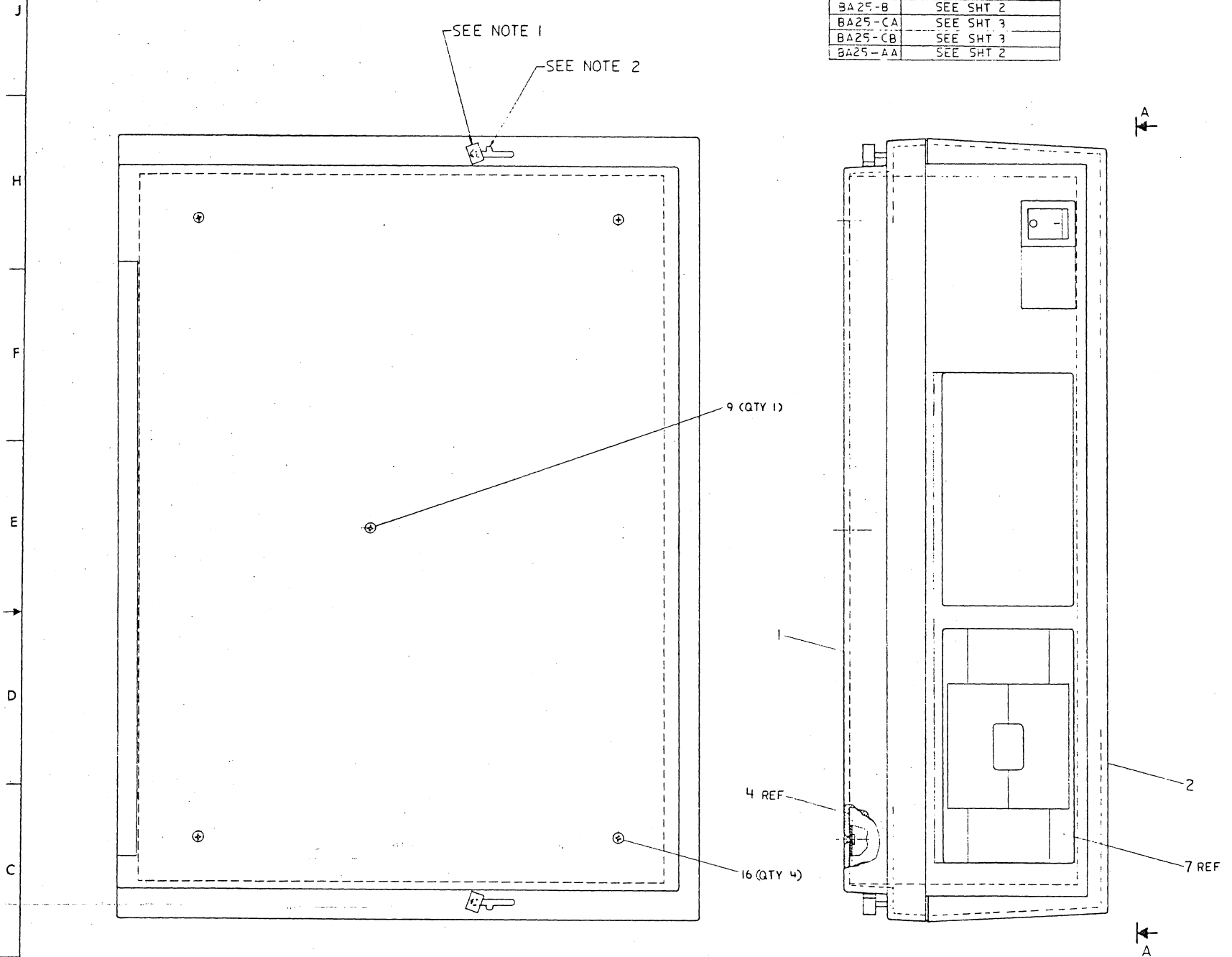


THIS DRAWING AND SPECIFICATIONS HEREBY ARE THE PROPERTY OF DIGITAL EQUIPMENT CORPORATION AND SHALL NOT BE REPRODUCED OR COPIED OR USED IN WHOLE OR IN PART WITHOUT THE WRITTEN PERMISSION OF DIGITAL EQUIPMENT CORPORATION.

BA25-0-0

LEGEND	
PART NO.	DESCRIPTION
BA25-A	SEE SHT 2
BA25-B	SEE SHT 2
BA25-CA	SEE SHT 3
BA25-CB	SEE SHT 3
BA25-AA	SEE SHT 2

- NOTES:
- LATCH WIRE, PART OF ITEM 1, IS SHOWN IN LATCHED POSITION.
  - PULL LATCH WIRE BACK AND OUT TO INDICATED POSITION TO REMOVE ITEM 2.
  - CONNECTORS FROM ITEM 5 PLUG INTO ITEM 14.
  - CONNECTOR FROM ITEM 14 PLUGS INTO ITEM 7.
  - DELETED.
  - TO REMOVE ITEM 7, PUSH DOWN ON SPRING TAB (PART OF ITEM 4) AND SLIDE ITEM 7 TOWARD FRONT OF UNIT.
  - ONE CONNECTOR OF CABLE (ITEM 3) PLUGS INTO ITEM 7 WITH DRAIN WIRE ATTACHING TO QUICK-CONNECT ON ITEM 14. OTHER CONNECTOR HANGS FREE WITH ITS DRAIN WIRE ATTACHED TO QUICK-CONNECT ON ITEM 4.
  - DELETED.
  - CONNECTOR FROM ITEM 14 PLUGS INTO ITEM 13 (-CB VAR ONLY).



-A,-B,-AA,-CA & -CB VAR AS SHOWN

CAUTION  
OFF SHEET PARTS LIST EXISTS  
SEE K-PL-BA25-0-DBP (24542)

REV	DESCRIPTION	DATE
A	INITIAL	
B	BA25-ML001	
C	BA25-ML002	
D	BA25-ML003	
E	BA25-ML004	

DESCRIPTION		DRAWING NO.		PART NO.		ITEM NO.	
UNLESS OTHERWISE SPECIFIED DIMENSIONS ARE IN INCHES AND THE FOLLOWING TOLERANCES APPLY PER DEC STD 115							
INCHES TOLERANCES		ANGLES		APPLICABLE DIMENSION RANGE		DIMENSION RANGE IN INCHES	
XX + .01		± 30'		OVER 0 TO 1.0		OVER 0 TO 1.0	
XXX + .005		SURFACE QUALITY		1.00 TO 1.50		1.00 TO 1.50	
MICROMETERS		MICROMETERS		1.50 TO 3.00		1.50 TO 3.00	
THIRD ANGLE PROJECTION		DATE		TITLE		DRAWING NO.	
DO NOT SCALE DRAWING		DATE		SMALL SYSTEM UNIT ENCLOSURE		DRAWING NO.	
REMOVE BURRS AND BREAK SHARP CORNERS		DATE		DATE		DRAWING NO.	
SEE PARTS LIST		DATE		DATE		DRAWING NO.	
FINISH		DATE		DATE		DRAWING NO.	

BA25-0-0

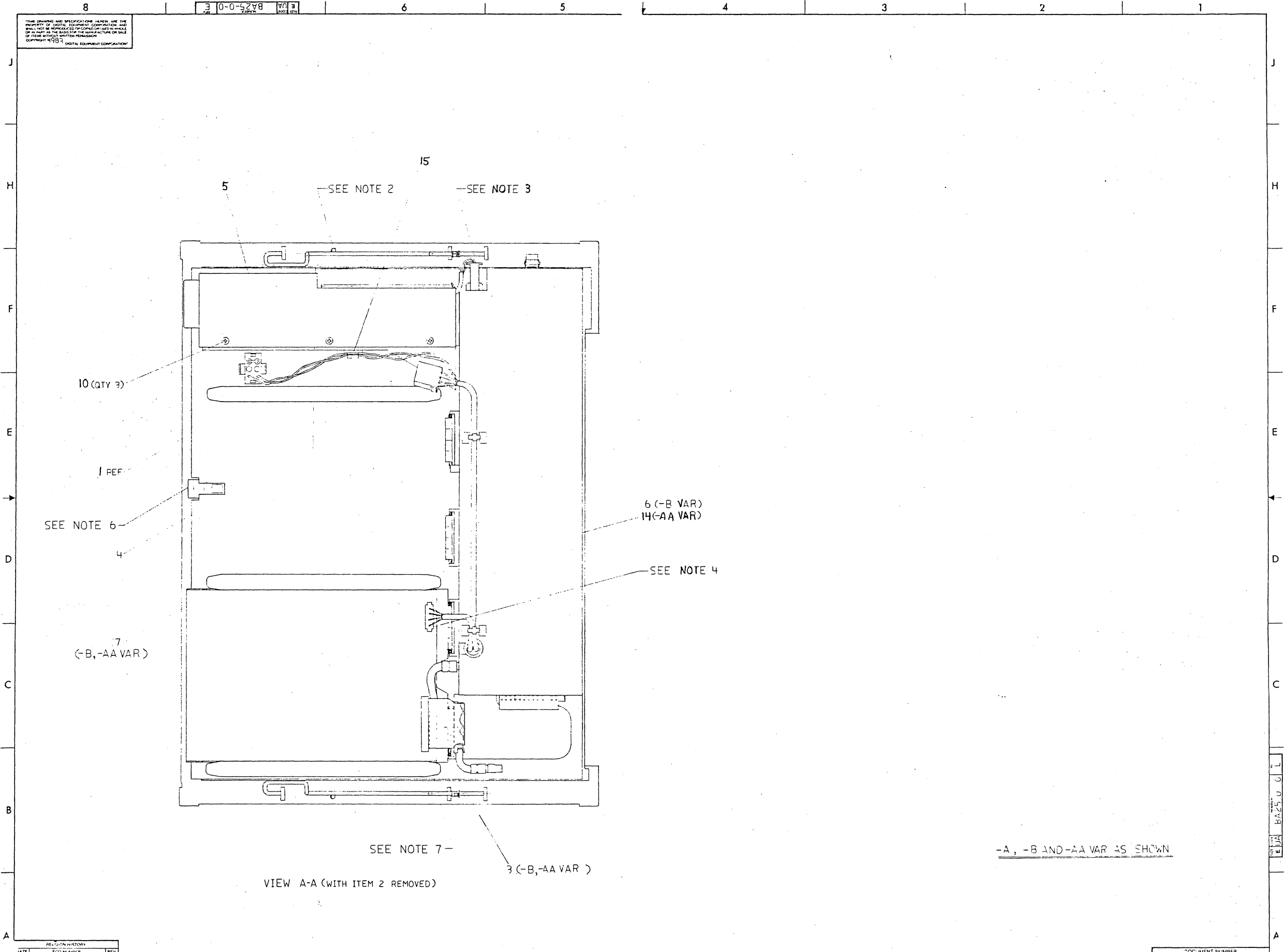
A

ML3



THE DRAWING AND SPECIFICATIONS HEREIN ARE THE PROPERTY OF DIGITAL EQUIPMENT CORPORATION AND SHALL NOT BE REPRODUCED OR TRANSMITTED IN ANY FORM OR BY ANY MEANS, ELECTRONIC OR MECHANICAL, INCLUDING PHOTOCOPYING, RECORDING, OR BY ANY INFORMATION STORAGE AND RETRIEVAL SYSTEM, WITHOUT THE WRITTEN PERMISSION OF DIGITAL EQUIPMENT CORPORATION.

EUA BA25-0-0

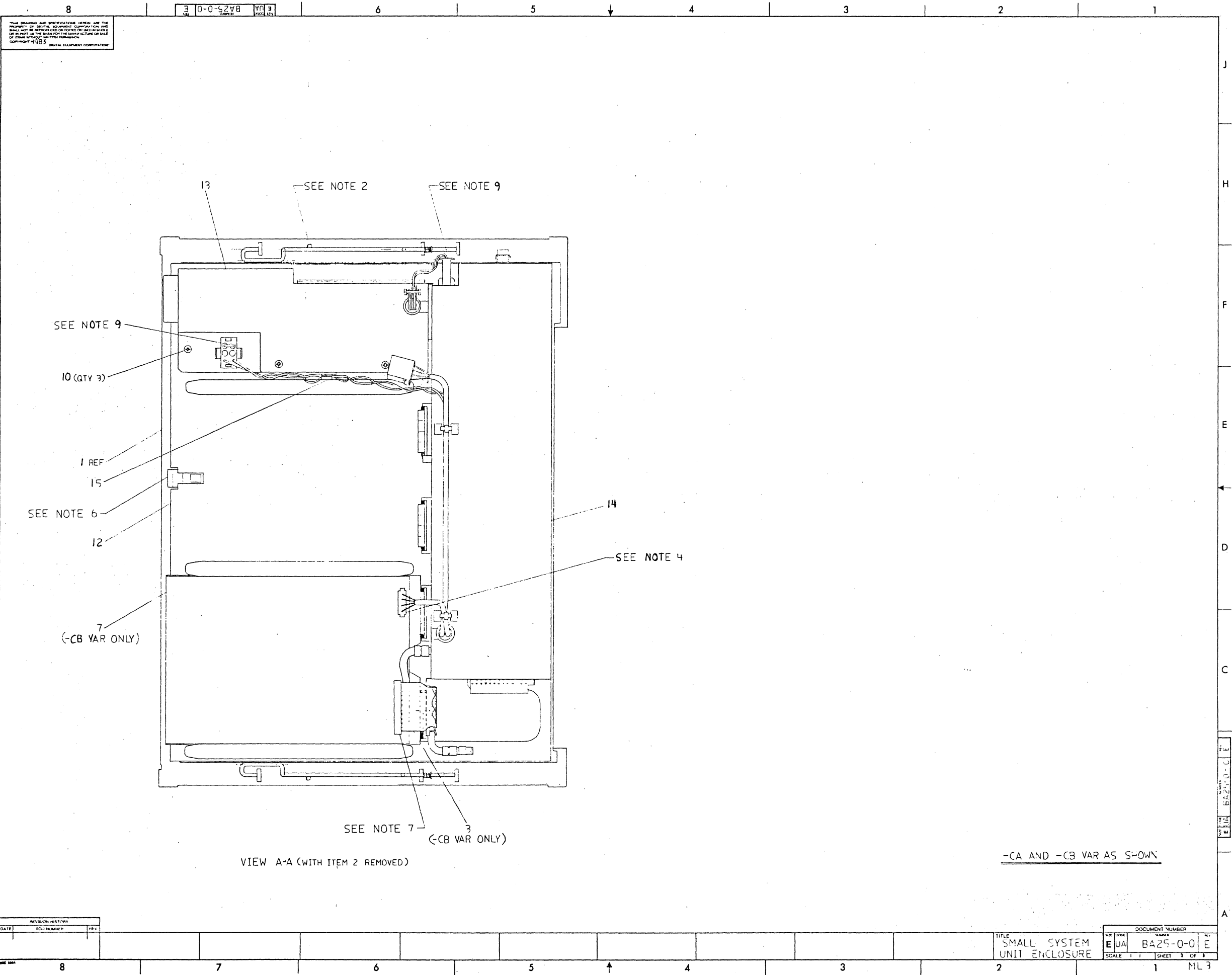


VIEW A-A (WITH ITEM 2 REMOVED)

-A, -B AND -AA VAR AS SHOWN

REVISION HISTORY		
DATE	ECO NUMBER	REV

TITLE		DOCUMENT NUMBER	
SMALL SYSTEM UNIT ENCLOSURE		EUA BA25-0-0	
SCALE	SHEET	OF	
1	2	3	



THIS DRAWING AND SPECIFICATIONS HEREBY ARE THE PROPERTY OF DIGITAL EQUIPMENT CORPORATION AND SHALL NOT BE REPRODUCED OR COPIED IN ANY MANNER OR IN ANY MANNER FOR THE MANUFACTURE OR SALE OF ITEMS WITHOUT THE WRITTEN PERMISSION OF DIGITAL EQUIPMENT CORPORATION  
 1985 DIGITAL EQUIPMENT CORPORATION

EUA BA25-0-0 E

DATE	DESCRIPTION	BY

TITLE  
 SMALL SYSTEM  
 UNIT ENCLOSURE

DOCUMENT NUMBER  
 EUA BA25-0-0 E

SCALE 1:1 SHEET 3 OF 3  
 ML 3

-CA AND -CB VAR AS SHOWN

VIEW A-A (WITH ITEM 2 REMOVED)

AUTOMATED BY: PRTLST.4Q(46)

PARTS LIST

SHEET A1 OF A1

LINE	ITEM	TOP DOCUMENT	PART NUMBER	MIN REV	DESCRIPTION	QTY PER VARIATION				
						A	B	CA	CB	AA
VARIATION REVISION LEVEL:										
1	1	D-AD-7019573-0-0	7019573-00	B	ENCLOSURE BOTTOM ASSY.	1	1	1	1	1
2	2	E-IA-7019505-0-DBU	7019505-01		TOP ENCLOSURE ASSY. W/FILLER PLA	1	1	1	1	1
3	3		1700317-03		CABLE ASSY 34COND SHIELDED 8"LG	-	1	-	1	1
4	4	D-IA-7019571-0-0	7019571-00		RIVETED ASSY.	1	1	-	-	1
5	5	D-AD-7019572-0-0	7019572-00		FAN BRACKET ASSY	1	1	-	-	1
6	6	E-UA-H7842-0-0	H7842-A		SMALL SYS UNIT POW SUP: 138 WATT	-	1	-	-	-
7	7		RX50 -AA		DUAL 5.25" SINGLE SIDED FLOPPY D	-	1	-	1	1
8	8		1700318-01		*** THIS ITEM IS NOT USED ***	-	-	-	-	-
9	9		9006021-02		SCREW,MACH FLAT PHIL 6-	1	1	1	1	1
10	10		9009701-00		SCREW,SEMS PAN PHIL 6-	3	3	3	3	3
11	11		1213715-02		*** THIS ITEM IS NOT USED ***	-	-	-	-	-
12	12	D-IA-7019571-0-0	7019571-01		RIVETED ASSEMBLY	-	-	1	1	-
13	13	D-AD-7020816-0-DBU	7020816-01		FAN ASSY	-	-	1	1	-
14	14	E-UA-H7842-0-0	H7842-D		SMALL SYS UNIT POW SUP:142 WATTS	-	-	-	1	1
15	15		9009771-03		CLAMP,CABLE,U CLIP,ADH.BACK 3/1	1	1	1	1	-
16	16		9006020-01		SCREW,MACH PAN PHIL 6-	4	4	4	4	4

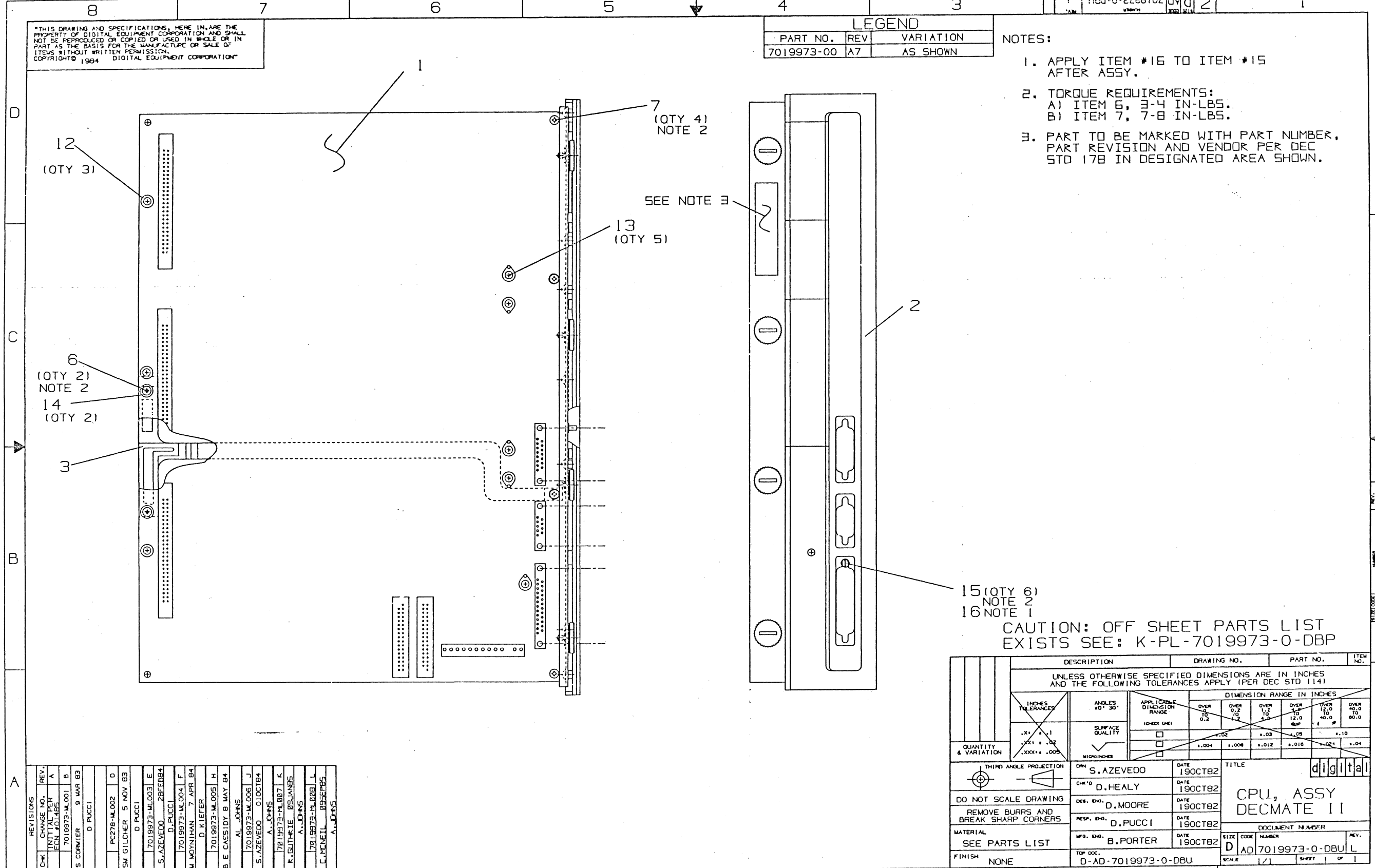
REVISION HISTORY			BASIC PART NO: BA25		DRN: B. NETTO		DATE: 05-JUN-82		D I G I T A L	
ENG	ECO NUMBER	REV	SECTION A OF A		CHK'D: T. CHACKO		DATE: 27-AUG-82		TITLE PARTS LIST	
---	INITIAL	A	SECTION VARIATION INDEX		DATE: 27-AUG-82		DATE: 27-AUG-82		SMALL SYSTEM UNIT ENCLOSURE	
AJ	BA25-ML001	B	(A)A ,B ,CA,CB,AA		DES.ENG: D. ALBANO		DATE: 27-AUG-82		DOCUMENT NUMBER	
AJ	BA25-ML002	C			RESP.ENG.: D. ALBANO		DATE: 27-AUG-82		SIZE CODE NUMBER REV	
AJ	BA25-ML003	D	(B)		MFG.ENG.: J. TRITAK		DATE: 27-AUG-82		K PL BA25-0-DBP E	
AJ	BA25-ML004	E	(C)		ASSEMBLY NUMBER:		TOP DOCUMENT NUMBER:		FILE NAME: EDIT #	
			(D)		E-UA-BA25-0-0		#B-DD-BA25-0		Z4542E.PLS 4	
			(E)						RELEASE DATE: 14-JAN-85	
			(F)							

"THIS DRAWING AND THE SPECIFICATIONS CONTAINED HEREIN ARE CONFIDENTIAL AND PROPRIETARY. THEY ARE THE PROPERTY OF DIGITAL EQUIPMENT CORPORATION AND SHALL NOT BE REPRODUCED OR COPIED OR USED IN WHOLE OR IN PART AS THE BASIS FOR THE MANUFACTURE OR SALE OF ITEMS WITHOUT WRITTEN PERMISSION. THIS IS AN UNPUBLISHED WORK PROTECTED UNDER THE FEDERAL COPYRIGHT LAWS."

\*THIS DRAWING AND SPECIFICATIONS, HEREIN, ARE THE PROPERTY OF DIGITAL EQUIPMENT CORPORATION AND SHALL NOT BE REPRODUCED OR COPIED OR USED IN WHOLE OR IN PART AS THE BASIS FOR THE MANUFACTURE OR SALE OF ITEMS WITHOUT WRITTEN PERMISSION. COPYRIGHT © 1984 DIGITAL EQUIPMENT CORPORATION\*

LEGEND		
PART NO.	REV	VARIATION
7019973-00	A7	AS SHOWN

- NOTES:
1. APPLY ITEM #16 TO ITEM #15 AFTER ASSY.
  2. TORQUE REQUIREMENTS:  
A) ITEM 6, 3-4 IN-LBS.  
B) ITEM 7, 7-8 IN-LBS.
  3. PART TO BE MARKED WITH PART NUMBER, PART REVISION AND VENDOR PER DEC STD 178 IN DESIGNATED AREA SHOWN.



15 (QTY 6)  
NOTE 2  
16 NOTE 1

CAUTION: OFF SHEET PARTS LIST EXISTS SEE: K-PL-7019973-0-DBP

QUANTITY & VARIATION	THIRD ANGLE PROJECTION	DESCRIPTION	DRAWING NO.	PART NO.	ITEM NO.																																																							
		UNLESS OTHERWISE SPECIFIED DIMENSIONS ARE IN INCHES AND THE FOLLOWING TOLERANCES APPLY (PER DEC STD 114)																																																										
		<table border="1"> <thead> <tr> <th rowspan="2">INCHES TOLERANCES</th> <th rowspan="2">ANGLES</th> <th rowspan="2">APPL. DIMENSION RANGE</th> <th colspan="6">DIMENSION RANGE IN INCHES</th> </tr> <tr> <th>OVER TO</th> <th>OVER TO</th> <th>OVER TO</th> <th>OVER TO</th> <th>OVER TO</th> <th>OVER TO</th> </tr> </thead> <tbody> <tr> <td>.X1 ± .1</td> <td></td> <td>10-CHK ONE</td> <td>0.2 TO 0.2</td> <td>0.2 TO 1.2</td> <td>1.2 TO 3.0</td> <td>3.0 TO 12.0</td> <td>12.0 TO 40.0</td> <td>40.0 TO 80.0</td> <td>80.0 TO 160.0</td> </tr> <tr> <td>.XX1 ± .02</td> <td>SURFACE QUALITY</td> <td></td> <td></td> <td></td> <td></td> <td></td> <td></td> <td></td> <td></td> </tr> <tr> <td>.XXX ± .005</td> <td><input checked="" type="checkbox"/></td> <td></td> <td></td> <td></td> <td></td> <td></td> <td></td> <td></td> <td></td> </tr> <tr> <td></td> <td>MICROINCHES</td> <td></td> <td></td> <td></td> <td></td> <td></td> <td></td> <td></td> <td></td> </tr> </tbody> </table>				INCHES TOLERANCES	ANGLES	APPL. DIMENSION RANGE	DIMENSION RANGE IN INCHES						OVER TO	OVER TO	OVER TO	OVER TO	OVER TO	OVER TO	.X1 ± .1		10-CHK ONE	0.2 TO 0.2	0.2 TO 1.2	1.2 TO 3.0	3.0 TO 12.0	12.0 TO 40.0	40.0 TO 80.0	80.0 TO 160.0	.XX1 ± .02	SURFACE QUALITY									.XXX ± .005	<input checked="" type="checkbox"/>										MICROINCHES								
INCHES TOLERANCES	ANGLES	APPL. DIMENSION RANGE	DIMENSION RANGE IN INCHES																																																									
			OVER TO	OVER TO	OVER TO	OVER TO	OVER TO	OVER TO																																																				
.X1 ± .1		10-CHK ONE	0.2 TO 0.2	0.2 TO 1.2	1.2 TO 3.0	3.0 TO 12.0	12.0 TO 40.0	40.0 TO 80.0	80.0 TO 160.0																																																			
.XX1 ± .02	SURFACE QUALITY																																																											
.XXX ± .005	<input checked="" type="checkbox"/>																																																											
	MICROINCHES																																																											
		DATE	DATE	DATE	DATE																																																							
		S. AZEVEDO	D. HEALY	D. MOORE	D. PUCCI																																																							
		19OCT82	19OCT82	19OCT82	19OCT82																																																							
		TITLE																																																										
		CPU, ASSY DECMATE II																																																										
		DOCUMENT NUMBER																																																										
		D AD 7019973-0-DBU L																																																										
		SCALE 1/1 SHEET 1 OF 1																																																										

REV.	CHANGE NO.	INITIAL PER	DATE
A		EON-KILLER	7019973-MC001
B		S. CORMIER	9 MAR 83
C		D. PUCCI	
D		SM GILCHER	5 NOV 83
E		S. AZEVEDO	28 FEB 84
F		M. MOYNIHAN	7 APR 84
G		B. E. CASSIDY	8 MAY 84
H		AL. JOHNS	
J		S. AZEVEDO	01 OCT 84
K		R. LEUTHRIE	18 FEB 85
L		C. MENELL	09 SEP 85
M		A. JOHNS	

AUTOMATED BY PRTLST.4Q(47)

PARTS LIST

SHEET A1 OF A1

LINE	ITEM	TOP DOCUMENT	PART NUMBER	MIN REV	DESCRIPTION	QTY	PER VARIATION
					VARIATION REVISION LEVEL:	00	A6
1	1	E-UA-5415426-0-0	5415426-00	F	DECMATE II	1	
2	2	D-AD-7019942-0-DBU	7019942-00		CONN. PANEL ASSY.	1	
3	3	D-MD-7427523-0-0	7427523-01		SUPPORT, KEEL	1	
4	4		9008451-05		*** THIS ITEM IS NOT USED ***	-	
5	5		9010099-00		*** THIS ITEM IS NOT USED ***	-	
6	6		9009800-07		SCREW, TAP PAN PHIL THD RL 4-	2	
7	7		9000049-44		SCREW, SEMS PAN PHIL 4-	4	
8	8		1219857-02		*** THIS ITEM IS NOT USED ***	-	
9	9		1219857-05		*** THIS ITEM IS NOT USED ***	-	
10	10		9000003-06		*** THIS ITEM IS NOT USED ***	-	
11	11		9009321-00		*** THIS ITEM IS NOT USED ***	-	
12	12		1219857-03		STANDOFF, NYLON	3	
13	13		1219857-06		STANDOFF, NYLON	5	
14	14		9000003-05		WASHER, FLAT NYLON	2	
15	15		9008451-06		SCREW, JACK HEX WASHER .060TH	6	
16	16		4901223-00		ADHESIVE, ANAEROBIC, RESIN BASE	A/R	

REVISION HISTORY			BASIC PART NO: 7019973			D I G I T A L		
ENG	ECO NUMBER	REV	SECTION A OF A	DRN:	D. HEALY	DATE:	24-AUG-82	
---	INITIAL	A	SECTION VARIATION INDEX	CHK'D:	D. HEALY	DATE:	13-OCT-82	TITLE PARTS LIST
DP	7019973-ML001	B	[A]00					CPU ASSY, DECMATE II
DP	PC278-ML002	C		DES. ENG:	D. MOORE	DATE:	13-OCT-82	DOCUMENT NUMBER
DP	7019973-ML002	D	[B]					SIZE CODE NUMBER REV
DP	7019973-ML003	E	[C]	RESP. ENG.:	D. PUCCI	DATE:	13-OCT-82	K PL 7019973-0-DBP K
DK	7019973-ML004	F						
AJ	7019973-ML005	H	[D]	MFG. ENG.:	B. PORTER	DATE:	13-OCT-82	RELEASE DATE: 15-JAN-85
AJ	7019973-ML006	J	[E]					
AJ	7019973-ML007	K	[F]	ASSEMBLY NUMBER:	D-AD-7019973-0-DBU	TOP DOCUMENT NUMBER:	D-AD-7019973-0-DBU	FILE NAME: 25345K.PLS
								EDIT # 25

"THIS DRAWING AND THE SPECIFICATIONS CONTAINED HEREIN ARE CONFIDENTIAL AND PROPRIETARY. THEY ARE THE PROPERTY OF DIGITAL EQUIPMENT CORPORATION AND SHALL NOT BE REPRODUCED OR COPIED OR USED IN WHOLE OR IN PART AS THE BASIS FOR THE MANUFACTURE OR SALE OF ITEMS WITHOUT WRITTEN PERMISSION. THIS IS AN UNPUBLISHED WORK PROTECTED UNDER THE FEDERAL COPYRIGHT LAWS."

AUTOMATED BY PRTLST.4Q(47)

PARTS LIST

SHEET A1 OF A1

LINE ITEM	DOCUMENT NUMBER	PART NUMBER	DESCRIPTION	QUANTITY PER VARIATION A
1	D-AD-7019973-0-0	7019973-00	CPU ASSY, DECMATE	1
2	A-PA-3700705-0-0	3700705-01	PKG CPU 54154XX	1

REVISION HISTORY			BASIC PART NO: KK612	DRN: D. HEALY	DATE: 25-AUG-82	D I G I T A L			
ENG	ECO NUMBER	REV	SECTION A OF A	CHK'D: D. HEALY	DATE: 7-JAN-83	TITLE PARTS LIST			
	INITIAL	A	SECTION. VARIATION INDEX [A] A	DES.ENG.: D. MOORE <td>DATE: 7-JAN-83 <td colspan="4">CPU ASSY (FIELD SERV.) DECMATE II</td> </td>	DATE: 7-JAN-83 <td colspan="4">CPU ASSY (FIELD SERV.) DECMATE II</td>	CPU ASSY (FIELD SERV.) DECMATE II			
			[B]	RESP.ENG.: D. PUCCI <td>DATE: 7-JAN-83 <td colspan="4">DOCUMENT NUMBER</td> </td>	DATE: 7-JAN-83 <td colspan="4">DOCUMENT NUMBER</td>	DOCUMENT NUMBER			
			[C]	MFG.ENG.: B. PORTER <td>DATE: 7-JAN-83 <td>SIZE</td> <td>CODE</td> <td>NUMBER</td> <td>REV</td> </td>	DATE: 7-JAN-83 <td>SIZE</td> <td>CODE</td> <td>NUMBER</td> <td>REV</td>	SIZE	CODE	NUMBER	REV
			[D]	ASSEMBLY NUMBER: K-PL-KK612-0-DBP <td>TOP DOCUMENT NUMBER: #PC278-0 <td>K</td> <td>PL</td> <td>KK612-0-DBP</td> <td>A</td> </td>	TOP DOCUMENT NUMBER: #PC278-0 <td>K</td> <td>PL</td> <td>KK612-0-DBP</td> <td>A</td>	K	PL	KK612-0-DBP	A
			[E]					FILE NAME: Z5355A.PLS	EDIT # 8
			[F]						

"THIS DRAWING AND SPECIFICATIONS HEREIN, ARE THE PROPERTY OF DIGITAL EQUIPMENT CORPORATION AND SHALL NOT BE REPRODUCED OR COPIED OR USED IN WHOLE OR IN PART AS THE BASIS FOR THE MANUFACTURE OR SALE OF ITEMS WITHOUT WRITTEN PERMISSION.



LINE	ITEM	TOP DOCUMENT	PART NUMBER	MIN REV	DESCRIPTION	QTY PER VARIATION			REFERENCE DESIGNATOR
						AC	AF	AH	
VARIATION REVISION LEVEL:									
1	1	D-MD-5015425-0-0	5015425-00		DRILL&ETCH BOARD 54-15426 DECMAT	1	1	1	
2	2		1000009-00		33.0 MMF 100V 5%200PPM MICA	1	1	1	C12
3	3		1000014-00		68.0 MMF 100V 5%200PPM MICA	2	2	2	C8,C4
4	4		1000016-00		100.0 MMF 100V 5%200PPM MICA	1	1	1	C6
5	5		1000019-00		150.0 MMF 100V 5%200PPM MICA	3	3	3	C1,C200,C201
6	6		1000024-00		470.0 MMF 100V 5%200PPM MICA	6	6	6	C13,C21-C25
7	7		1005636-00		22 MFD 6V 10% S.TANT	1	1	1	C5
8	8		1001610-00		.01 MFD 50V +80-20% Z5U CER	1	1	1	C10
9	9		1001631-00		390.0 MMF 100V 5%200PPM MICA	2	2	2	C11,C202
10	10		1012121-01		*** THIS ITEM IS NOT USED ***	-	-	-	
11	11		1012312-01		.47 MFD 50V +80-20% CER	5	5	5	C33-C36,C102
12	12		1012784-00		.047 MFD 50V +80-20% CER	61	61	61	C14,C15,C37-C41,C43-C54,C56-C63, C65-C89,C93-C98,C100,C101,C91
13	13		1102421-00		VZ= 6.2 5% 400 MW 1N753A	1	1	1	CONT D8
14	14		1105275-00		*** THIS ITEM IS NOT USED ***	-	-	-	
15	15		1110967-00		PIV= 600 IO= 1.00A 1N4005 DO-41	4	4	4	D12-D15
16	16		1110994-00		VZ= 5.1 5% 400 MW 1N751A	2	2	2	D1,D99
17	17		1111577-00		PIV= 50 IO=200 MA - 4NS 1N4454	6	6	6	D4-D7,D21,D2
18	18		1215006-02		*** THIS ITEM IS NOT USED ***	-	-	-	
19	19		1215006-06		SKT,IC 24PIN DIP TIN SOLD	3	3	3	XE113,XE114,XE115
20	20		1215006-07		SKT,IC 28PIN DIP TIN SOLD	1	1	1	XE173
21	21		1215006-08		SKT,IC 40PIN DIP TIN SOLD	2	2	2	XE27,XE94
22	22		1215699-05		PCB,HEADER 12POS(1X13).156CC STR	1	1	1	J5
23	23		1219066-01		PCB,HEADER 52PIN(2X26).100CC STR	3	3	3	J8-J10
24	24		1219952-01		*** THIS ITEM IS NOT USED ***	-	-	-	
25	25		1220398-01		CONN,D SUB 9PIN ASSY RT ANGLE	1	1	1	J2
26	26		1220398-02		CONN,D SUB 15PIN ASSY RT ANGLE	1	1	1	J3
27	27		1220398-03		CONN,D SUB 25PIN ASSY RT ANGLE	1	1	1	J1
28	28		1300197-00		33.0 .25 W 5.0 % CF	1	1	1	R21
29	29		1300202-00		47.0 .25 W 5.0 % CF	2	2	2	R106,R204

REVISION HISTORY			BASIC PART NO: 5415426			DRN:	JOHN COTE	DATE:	12-MAR-82	D I G I T A L			
ENG	ECO NUMBER	REV	SECTION A OF A			CHK'D:	MIKE FUNARO	DATE:	12-MAR-82	TITLE PARTS LIST			
PS	5415426-ML004	A	SECTION VARIATION INDEX							DECMATE 2			
PS	5415426-ML005	B	[A]	AC,AF,AH									
DK	5415426-ML008	C	[B]										
DK	5415426-ML009	D	[C]			DES.ENG:	JOHN KIRK	DATE:	3-AUG-82	DOCUMENT NUMBER			
			[D]							SIZE	CODE	NUMBER	REV
			[E]			RESP.ENG.:	JOHN KIRK	DATE:	3-AUG-82	K	PL	5415426-0-DBP1	D
			[F]										
			[H]			MFG.ENG.:	BARRY DAVILLI	DATE:	3-AUG-82	RELEASE DATE: 28-JAN-85			
			[J]										
			[K]			ASSEMBLY NUMBER:	E-UA-5415426-0-1	TOP DOCUMENT NUMBER:	#B-DD-5415426-0	FILE NAME:	ML24D.PLS	EDIT #	12
			[L]										
			[M]										
			[N]										

"THIS DRAWING AND THE SPECIFICATIONS CONTAINED HEREIN ARE CONFIDENTIAL AND PROPRIETARY. THEY ARE THE PROPERTY OF DIGITAL EQUIPMENT CORPORATION AND SHALL NOT BE REPRODUCED OR COPIED OR USED IN WHOLE OR IN PART AS THE BASIS FOR THE MANUFACTURE OR SALE OF ITEMS WITHOUT WRITTEN PERMISSION. THIS IS AN UNPUBLISHED WORK PROTECTED UNDER THE FEDERAL COPYRIGHT LAWS."



PARTS LIST

LINE	ITEM	TOP DOCUMENT	PART NUMBER	MIN REV	DESCRIPTION	VARIATION REVISION LEVEL:	QTY PER VARIATION			REFERENCE DESIGNATOR	
							AC	AF	AH		
30	30		1300250-00	150.0	.25 W 5.0 %	CF	1	1	1	R17	
31	31		1300309-00	390.0	.25 W 5.0 %	CF	1	1	1	R22	
32	32		1300365-00	1.0 K	.25 W 5.0 %	CF	12	12	12	R7, R26, R27, R54, R79, R80, R81, R92, R93, R97, R201, R206	
										CONT	
33	33		1300444-00	3.90 K	.25 W 5.0 %	CF	1	1	1	R28	
34	34		1300447-00	4.70 K	.25 W 5.0 %	CF	35	35	35	R18, R19, R24, R30, R59, R61, R74-R78, R83-R91, R98-R105, R107, R109-R112, R200, R108	
										CONT	
35	35		1300479-00	10.0 K	.25 W 5.0 %	CF	7	7	7	R31, R32, R37, R35, R70, R96, R95	
36	36		1301322-00	180.0	.25 W 5.0 %	CF	8	8	8	R62-R69	
37	37		1301401-00	750.0	.25 W 5.0 %	CF	1	1	1	R20	
38	38		1301425-00	300.0	.25 W 5.0 %	CF	1	1	1	R94	
39	39		1301808-00	*** THIS ITEM IS NOT USED ***							
40	40		1301972-00	270.0	.25 W 5.0 %	CF	2	2	2	R51, R900	
41	41		1302379-00	75.0	.25 W 5.0 %	CF	1	1	1	R23	
42	42		1302411-00	511.0	.25 W 1.0 %	RN55D-F10	2	2	2	R38, R40	
43	43		1302466-00	100.0 K	.25 W 5.0 %	CF	2	2	2	R82, R15	
44	44		1302612-00	1.78 K	.25 W 1.0 %	RN55D-F10	1	1	1	R50	
45	45		1302872-00	681.0	.25 W 1.0 %	RN55D-F1	1	1	1	R52	
46	46		1303114-00	1.0 K	.25 W 1.0 %	RN55D-F10	3	3	3	R48, R49, R42	
47	47		1304854-00	5.11 K	.25 W 1.0 %	RN55D-F10	2	2	2	R41, R43	
48	48		1304858-00	348.0	.25 W 1.0 %	RN55D-F10	3	3	3	R6, R10, R9	
49	49		1304870-00	6.81 K	.25 W 1.0 %	RN55D-F10	1	1	1	R44	
50	50		1305346-00	27.0 K	.25 W 5.0 %	CF	3	3	3	R55-R57	
51	51		1309143-07	1.0 K	.75 W 10.0 %	POT	1	1	1	R47	
52	52		1309595-00	1.0 M	.25 W 5.0 %	CF	3	3	3	R71-R73	
53	53		1313469-00	240.0	.25 W 5.0 %	CF	1	1	1	R13	
54	54		1313589-00	1.40 K	.25 W 1.0 %	RN55D-F10	2	2	2	R11, R12	
55	55		1313752-00	15.0 K	.25 W 1.0 %	RN55D-F10	4	4	4	R36, R39, R45, R46	
56	56		1316395-00	R NETWORK	9-4.7K	2.0 % 10PIN	5	5	5	R1-R4, R53	
57	57		1317399-00	6.49 K	.25 W 1.0 %	RN55D-F10	1	1	1	R29	
58	58		1320183-01	R NETWORK	9-27K	2.0 % 10PIN	1	1	1	R60	
59	59		1320184-01	R NETWORK	9-180	2.0 % 10PIN	1	1	1	R14	
60	60		1509338-00	DEC6531B	NPN 310MW SI 40 90 P		1	1	1	Q1	
61	61		1517999-00	3906	PNP 900MW ARRAY 14PIN		1	1	1	E33	
62	62		1618238-02	BEAD, FERRITE	.1380DX.330LG		8	8	8	L1-L8	
63	63		1811660-02	OSCILLATOR, XTAL	5.0688 MHZ		1	1	1	E166	
64	64		1811660-40	OSCILLATOR, XTAL	15.741 MHZ		1	1	1	E24	
65	65		1811660-41	OSCILLATOR, XTAL	22.896 MHZ		1	1	1	E59	
66	66		1815860-01	OSCILLATOR, XTAL	16.000 MHZ		1	1	1	E25	
67	67		1909928-00	7416	INVERTER GATE-HEX 1I		3	3	3	E161, E17, E68	
68	68		1909929-00	7417	BUFFER GATE-HEX 1INP		4	4	4	E64, E7, E144, E19	
69	69		1910268-00	DEC 75107B	RECEIVER, LINE, DUAL,		3	3	3	E63, E47, E8	
70	70		1910322-00	DEC 1488L	DRIVER, LINE, QUAD, EI		1	1	1	E127	
71	71		1910323-00	DEC 1489L	RECEIVER, LINE, QUAD,		1	1	1	E104	
72	72		1910534-00	74S04	INVERTER GATE-HEX 1I		2	2	2	E139, E61	
73	73		1910535-00	74S05	INVERTER GATE-HEX 1		1	1	1	E147	
74	74		1910544-00	74S74	FF-D DUAL, EDGE TRIGG		1	1	1	E40	

D	I	G	I	T	A	L	TITLE	SECTION A OF A	SIZE	CODE	DOCUMENT NUMBER	REV
							DECMATE 2		K	PL	5415426-0-DBP1	D

AUTOMATED BY PRTLST.4Q(50)

PARTS LIST

SHEET A3 OF A5

LINE	ITEM	TOP DOCUMENT	PART NUMBER	MIN REV	DESCRIPTION	QTY PER VARIATION			REFERENCE DESIGNATOR
						AC	AF	AH	
75	75		1910545-00		74S112	1	1	1	E135
76	76		1910547-00		74S153	1	1	1	E41
77	77		1910550-00		74S174	1	1	1	E160
78	78		1911219-01	DEC	7438	1	1	1	E9
79	79		1912096-00	DEC	74S86	1	1	1	E151
80	80		1912388-00		74S02	1	1	1	E163
81	81		1912647-00		LS257	3	3	3	E116,E119,E131
82	82		1912697-00		LS174	5	5	5	E16,E30,E37,E126,E177
83	83		1912746-00	DEC	74S37	1	1	1	E65
84	84		1912799-00		LS00	6	6	6	E124,E66,E44,E154,E157,E35
85	85		1912800-00		LS01	1	1	1	E103
86	86		1912801-00		LS02	5	5	5	E125,E101,E118,E49,E150
87	87		1912803-00		LS04	3	3	3	E153,E26,E179
88	88		1912805-00		LS08	5	5	5	E182,E155,E123,E18,E156
89	89		1912807-00		LS10	2	2	2	E92,E122
90	90		1912808-00		LS11	1	1	1	E136
91	91		1912813-00		LS27	2	2	2	E62,E67
92	92		1912816-00		LS32	11	11	11	E3,E32,E34,E69,E105,E108,E109, E128,E134,E142,E143
93	93		1912824-00		LS74	15	15	15	E107,E43,E146,E148,E48,E50,E52, E2,E162,E11,E54,E120,E51,E165, E46
94	94		1912829-00		LS86	1	1	1	E159
95	95		1912834-00		LS112	1	1	1	E4
96	96		1912842-00		LS138	3	3	3	E106,E15,E91
97	97		1912843-00		LS139	1	1	1	E36
98	98		1912849-00		LS161	1	1	1	E12
99	99		1912853-00		LS175	1	1	1	E14
100	100		1912858-00		LS221	2	2	2	E1,E5
101	101		1912862-00		LS266	1	1	1	E22
102	102		1912863-00		LS273	1	1	1	E137
103	103		1912867-00		LS298	3	3	3	E53,E73,E71
104	104		1912871-00		LS375	1	1	1	E152
105	105		1913340-00		74S32	1	1	1	E175
106	106		1913414-00		LS14	1	1	1	E145
107	107		1913471-00		LS367	8	8	8	E130,E129,E78,E85,E38,E138,E140, E102
108	108		1914214-00		LS374	5	5	5	E171,E169,E74,E58,E132
109	109		1914451-00		LS393	2	2	2	E164,E181
110	110		1914466-00		3130E	1	1	1	E10
111	111		1915123-03		26LS32-3	2	2	2	E23,E57
112	112		1915193-00		LS244	7	7	7	E170,E174,E112,E70,E89,E72,E55
113	113		1915218-00		LS245	2	2	2	E93,E90
114	114		1915415-00		9636	4	4	4	E20,E21,E39,E56
115	115		1915758-00	***	THIS ITEM IS NOT USED ***	-	-	-	
116	116		1915932-00		LS125	3	3	3	E110,E111,E133
117	117		1916139-00		LS126A	3	3	3	E60,E117,E158
118	118		1920373-01		LS137	1	1	1	E141

D	I	G	I	T	A	L	TITLE	SECTION A	OF A	SIZE	CODE	DOCUMENT NUMBER	REV
							DECMATE 2			K	PL	5415426-0-DBP1	D

AUTOMATED BY PRTLST.40(50)

PARTS LIST

SHEET A4 OF A5

LINE	ITEM	TOP DOCUMENT	PART NUMBER	MIN REV	DESCRIPTION	QTY PER VARIATION			REFERENCE DESIGNATOR
						AC	AF	AH	
119	119		2112623-00		DUAL BAUD RATE GEN/PROG DIVIDER,	2	2	2	E121,E178
120	120		2113937-00		UART 125K BUAD	2	2	2	E98,E99
121	121		2114212-00		P 2114-2 RAM,1024X4,STATIC	2	2	2	E28,E29
122	122		2115108-00		HM 6121 I/O CONTROLLER FOR 6	3	3	3	E95-E97
123	123		2117872-01		RAM 2KX8 I/O MUXD 20	1	1	1	E172
124	124		2118172-03		6120 MICROPROCESSOR 12-BI	1	1	1	E94
125	125		2118467-02		8264-15 RAM 64K X1,150NS 1	12	-	-	E75-E77,E79-E84,E86-E88
126	126		2118823-00		1793-02 FLOPPY DISK FORMAT	1	1	1	E31
127	127		2118856-00		CONTROLLER,MULTI-PROTOCOL SERIAL	1	1	1	E100
128	128		2120065-01		9007 CONTROLLER,CRT	1	1	1	E149
129	129		2120066-01		BUFFER,SINGLE ROW	2	2	2	E167,E168
130	130		23008M1-00		M1-01	1	1	1	E27
131	131		23114E4-00		E4-06,E4-07 ROM	1	1	1	E173
132	132		23358E2-00		*** THIS ITEM IS NOT USED ***	-	-	-	
133	133		23359E2-00		*** THIS ITEM IS NOT USED ***	-	-	-	
134	134		23360E2-00		*** THIS ITEM IS NOT USED ***	-	-	-	
135	135		23640A2-00		A2-05,A2-08 RO	1	1	1	E13
136	136		9006732-00		*** THIS ITEM IS NOT USED ***	-	-	-	
137	137		9009185-00		JUMPER, WIRE, INSULATED, BLACK B	3	3	3	W4,W2,W3
138	138		9105740-55		WIRE(WRAP) 30AWG KYNAR UL14	A/R	A/R	A/R	
139	139		9107256-00		*** THIS ITEM IS NOT USED ***	-	-	-	
140	140		1110603-00		SCHOTTKY PIV= 70 IO= 15 MA	2	2	2	D10,D11
141	141		1300229-00		100.0 .25 W 5.0 % CF	2	2	2	R202,R203
142	142		1305374-00		*** THIS ITEM IS NOT USED ***	-	-	-	
143	143		1316395-01		*** THIS ITEM IS NOT USED ***	-	-	-	
144	144		1914082-00		74S163 COUNTER,SYNCH UP/DOW	1	1	1	E42
145	145		1912838-00		LS132 NAND GATE-QUAD 2IN P	1	1	1	E6
146	146		2120880-01		74HC74 FF-D,DUAL CMOS	1	1	1	E45
147	147		1017472-00		*** THIS ITEM IS NOT USED ***	-	-	-	
148	148		7427758-01		*** THIS ITEM IS NOT USED ***	-	-	-	
149	149		7427758-02		*** THIS ITEM IS NOT USED ***	-	-	-	
150	150	SEE NOTE	1220511-02		PCB HEADER 33PIN(2X17).100CC STR	1	1	1	J6
151	151	SEE NOTE	1220511-03		PCB HEADER 33PIN(2X17).100CC STR	1	1	1	J7
152	152	SEE NOTE	7427524-01		SUPPORT,HEADER	1	1	1	
153	153		9000024-01		EYELET,ROLLED 0.1210DX0.192	6	6	6	
154	154		1302955-00		750.0 .25 W 1.0 % RN55D-F10	1	1	1	R8
155	155		2118172-01		*** THIS ITEM IS NOT USED ***	-	-	-	
156	156		2118470-02		4864-2 MOS RAM 64K X1,150	-	12	-	E75-E77,E79-E84,E86-E88
157	157		2118472-02		4164-3 MOS RAM 64K X1,150	-	-	12	E75-E77,E79-E84,E86-E88
158	158		1012121-00		220.0 MMF 100V 1%200PPM MICA	3	3	3	C2,C3,C7
159	159		9107256-11		TUBING,TEFLON .027ID	A/R	A/R	A/R	
160	160		1300299-00		*** THIS ITEM IS NOT USED ***	-	-	-	
161	161		1219251-00		PCB HEADER 02PIN(1X02).100CC STR	1	1	1	J11
162	162		9009065-00		ADH,LIQ.RM.TEMP CURING GEN.PURPO	A/R	A/R	A/R	
163	163		23390E2-00		*** THIS ITEM IS NOT USED ***	-	-	-	
164	164		23391E2-00		*** THIS ITEM IS NOT USED ***	-	-	-	
165	165		23392E2-00		*** THIS ITEM IS NOT USED ***	-	-	-	
166	166		1915758-01		LS166 SHIFT REG. 8BIT PARA	1	1	1	E176

D	I	G	I	T	A	L	TITLE	SECTION A	OF	A	SIZE	CODE	DOCUMENT NUMBER	REV
							DECMATE 2				K	PL	5415426-0-DBP1	D

AUTOMATED BY PRTLST.40(50)

P A R T S L I S T

SHEET A5 OF A5

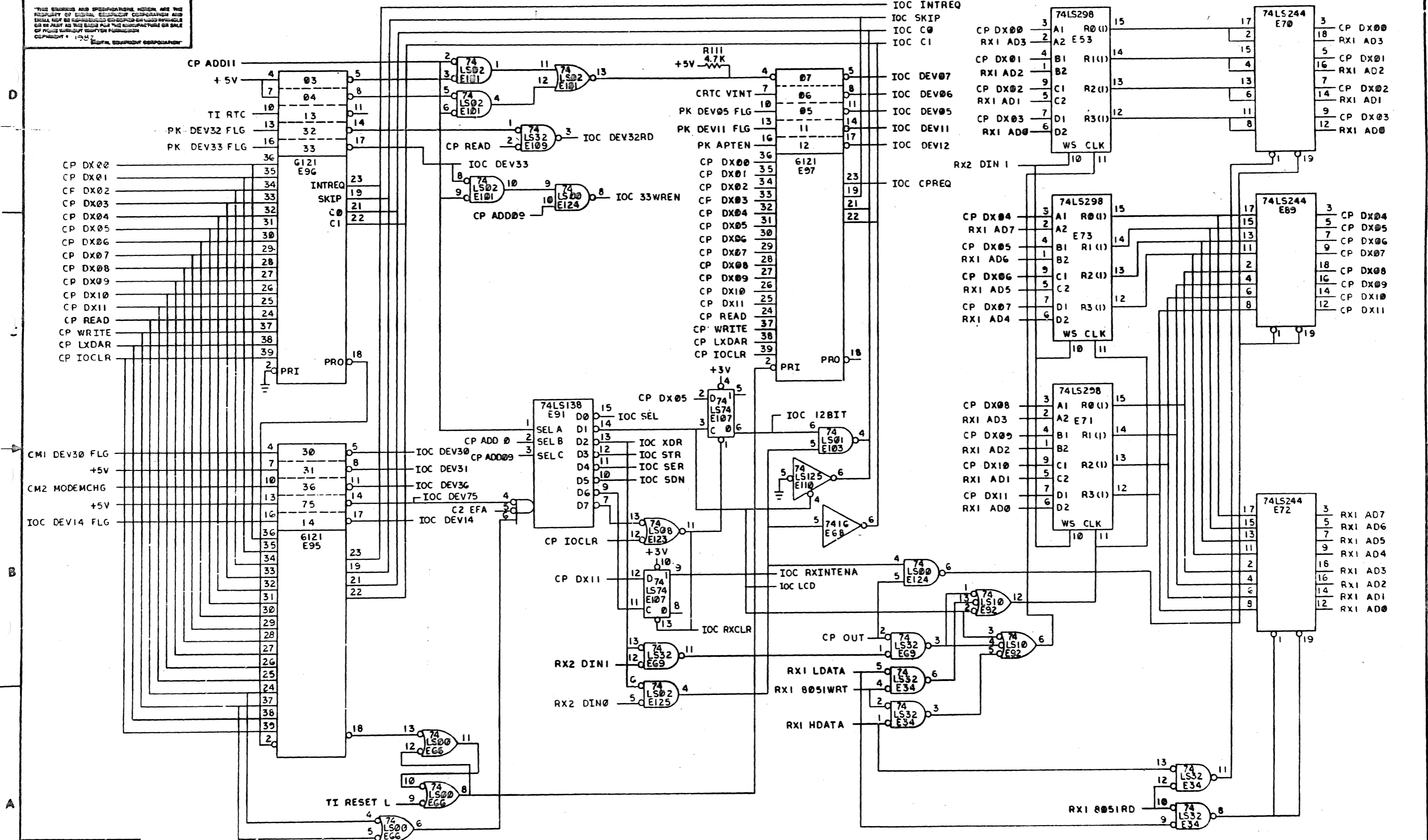
LINE ITEM	TOP DOCUMENT	PART NUMBER	MIN REV	DESCRIPTION	QTY PER VARIATION			REFERENCE DESIGNATOR
					AC	AF	AH	
167	167	1910532-00		74S00 NAND GATE-QUAD 2IN	1	1	1	E180
168	168	23399E2-00		E2-05	1	1	1	E113
169	169	23400E2-00		E2-05	1	1	1	E114
170	170	23401E2-00		E2-05	1	1	1	E115

171 NOTE: 7427758-01, 02 MAY BE SUBSTITUTED FOR 1220511-02, 04 RESPECTIVELY AS A GROUP.  
172 NOTE: NOTE THAT 7427524-01 IS TO BE USED ONLY WITH THE 1220511 CONNECTORS.

D I G I T A L	TITLE	DECMATE 2	SECTION A OF A	SIZE	CODE	DOCUMENT NUMBER	REV
				K	PL	5415426-0-DBP1	D



THIS DRAWING AND SPECIFICATIONS HEREON ARE THE PROPERTY OF GENERAL ELECTRIC COMPANY AND SHALL NOT BE REPRODUCED, COPIED, EITHER WHOLLY OR IN PART, AS THE BASIS FOR THE MANUFACTURE OR SALE OF THIS OR ANY OTHER EQUIPMENT WITHOUT THE WRITTEN PERMISSION OF GENERAL ELECTRIC COMPANY.



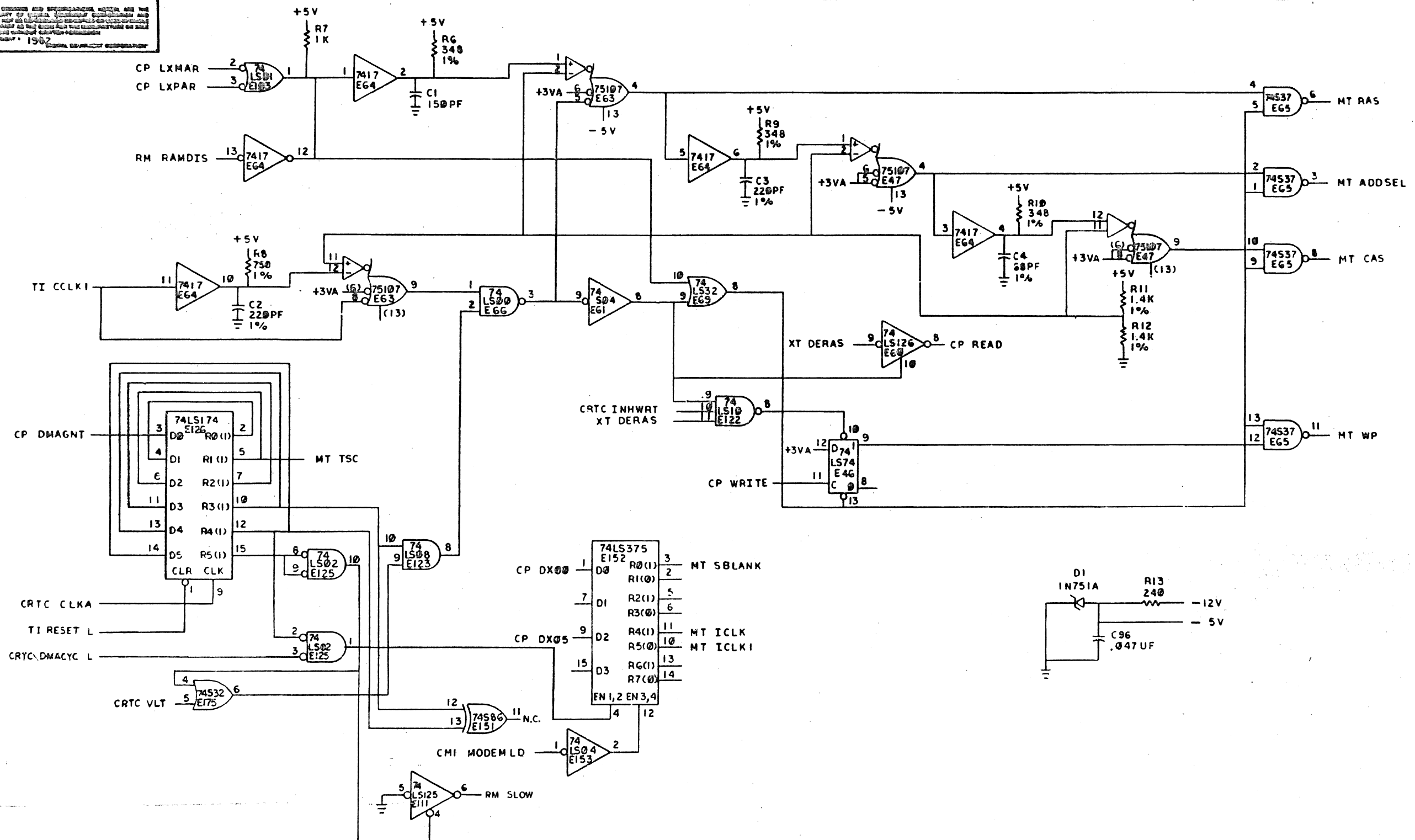
REVISION HISTORY		
DATE	ECO NUMBER	REV

(IOC + RX SIMULATOR)

TITLE  
DECMATE 2  
(IOC)

DOCUMENT NUMBER			
DATE	ISSUE	NUMBER	REV
		DCS5415426-0-2	D

THIS DRAWING AND SPECIFICATIONS HEREBY ARE THE PROPERTY OF THE UNITED STATES GOVERNMENT AND SHALL NOT BE REPRODUCED OR TRANSMITTED IN ANY FORM OR BY ANY MEANS, ELECTRONIC OR MECHANICAL, INCLUDING PHOTOCOPYING, RECORDING, OR BY ANY INFORMATION STORAGE AND RETRIEVAL SYSTEM, WITHOUT PERMISSION IN WRITING FROM THE GOVERNMENT CONTRACT NUMBER 1507



REVISION HISTORY		
DATE	ECO NUMBER	REV

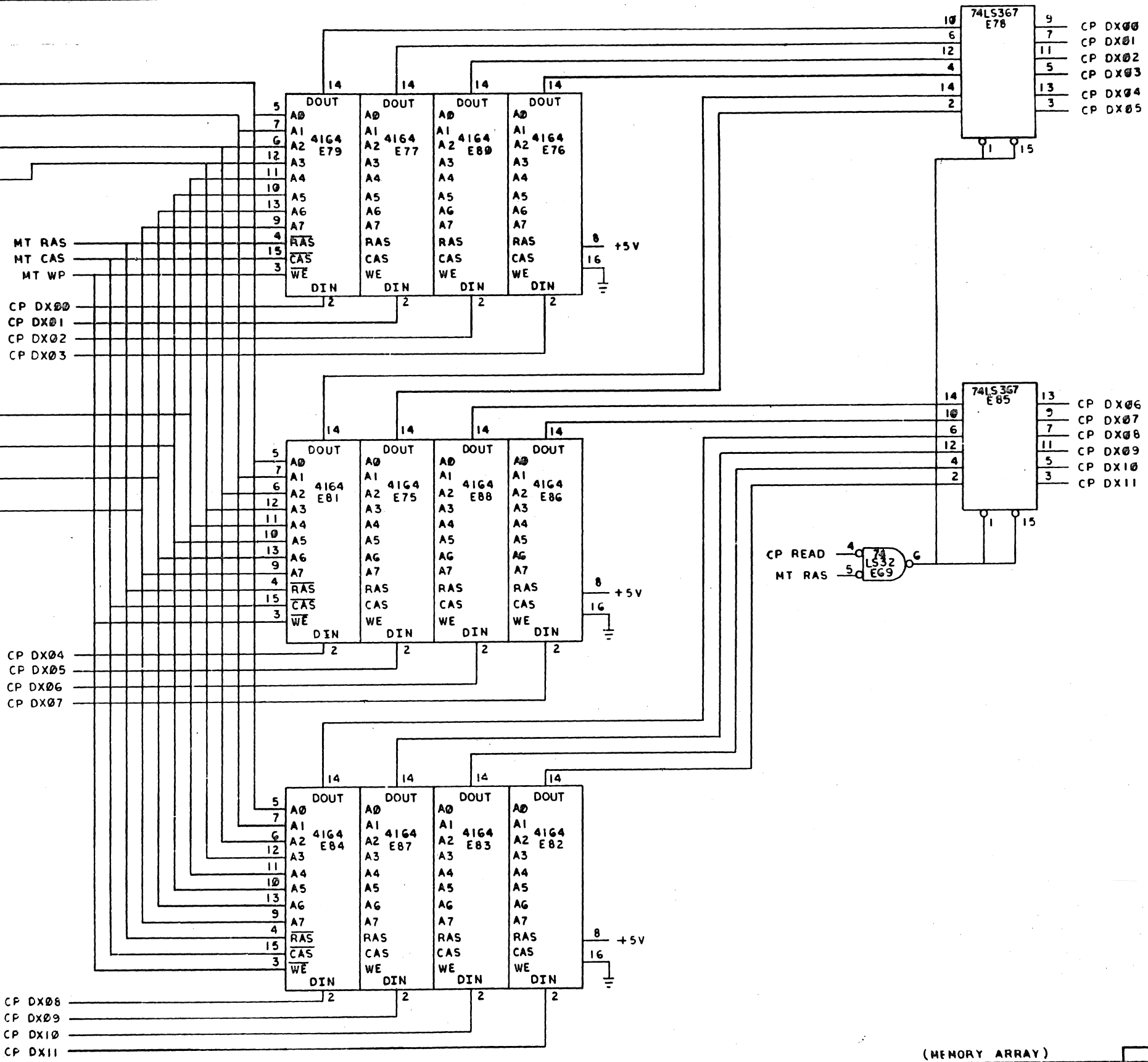
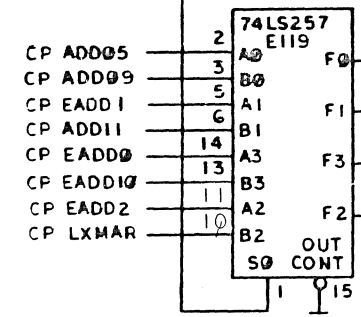
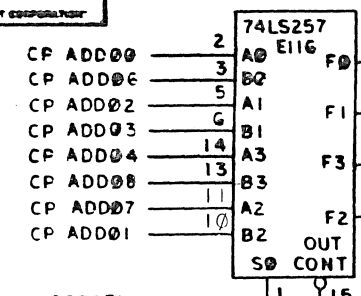
(MEMORY TIMING)

DECIMATE 2 (MT)

DOCUMENT NUMBER		
REV	NO	REV
DCS	5415426-0-2	D
SCALE	SHEET 3 OF 16	

8 7 6 5 4 3 2 1

THIS DRAWING AND INFORMATION HEREON ARE THE PROPERTY OF DECISION CONSULTING CORPORATION AND SHALL NOT BE REPRODUCED OR TRANSMITTED IN ANY FORM OR BY ANY MEANS, ELECTRONIC OR MECHANICAL, INCLUDING PHOTOCOPYING, RECORDING, OR BY ANY INFORMATION STORAGE AND RETRIEVAL SYSTEM, WITHOUT THE WRITTEN PERMISSION OF DECISION CONSULTING CORPORATION. © 1982



REVISION HISTORY

DATE	ECO NUMBER	REV

(MEMORY ARRAY)  
DECIMATE  
2 (MA)

DOCUMENT NUMBER

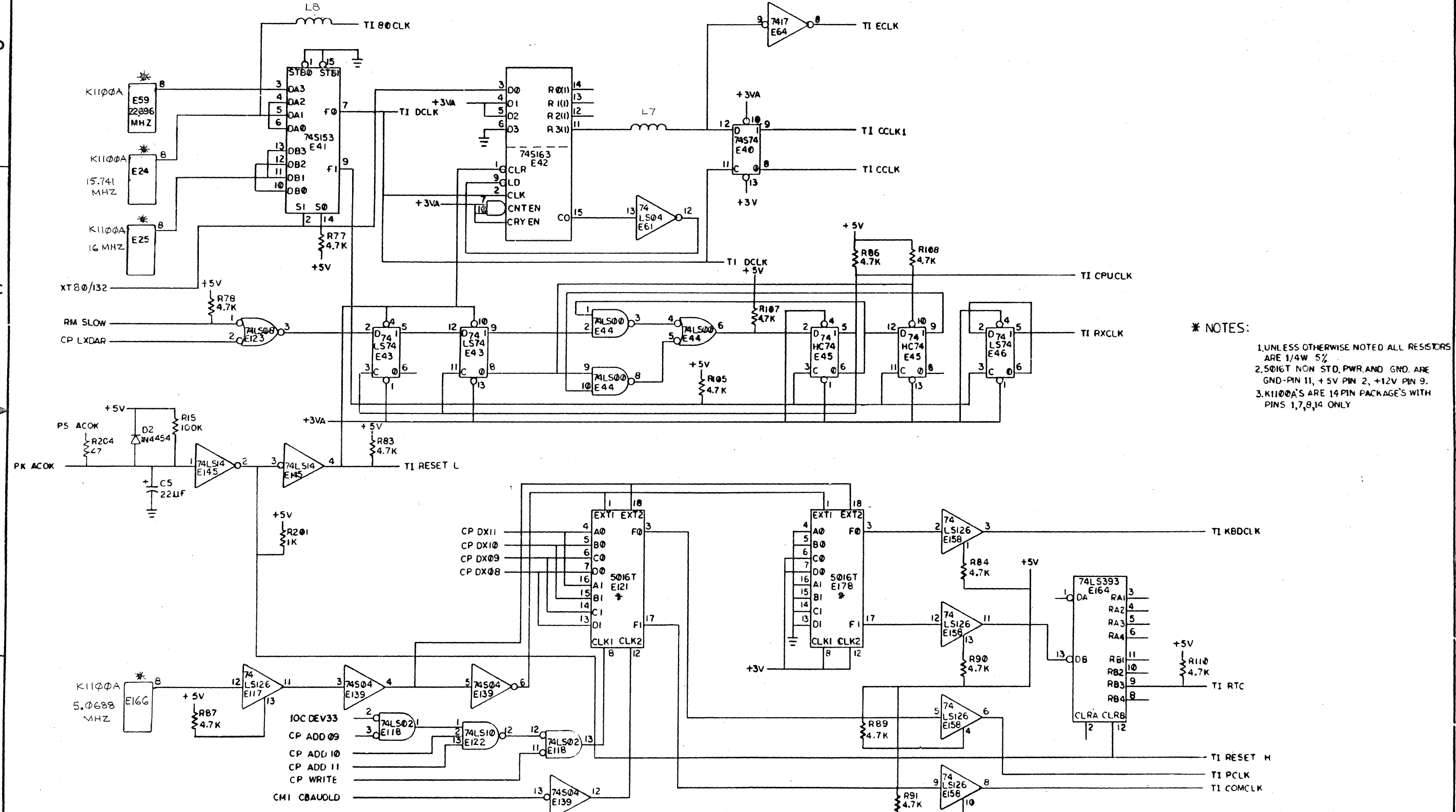
DATE	ISSUE	NUMBER	REV

SCALE: 1/8"=1" 4 OF 16



THIS DRAWING AND SPECIFICATIONS HEREIN ARE THE PROPERTY OF DIGITAL EQUIPMENT CORPORATION AND SHALL NOT BE REPRODUCED OR TRANSMITTED IN ANY FORM OR BY ANY MEANS, ELECTRONIC OR MECHANICAL, INCLUDING PHOTOCOPYING, RECORDING, OR BY ANY INFORMATION STORAGE AND RETRIEVAL SYSTEM, WITHOUT PERMISSION IN WRITING FROM DIGITAL EQUIPMENT CORPORATION.

1982 DIGITAL EQUIPMENT CORPORATION



- \* NOTES:
1. UNLESS OTHERWISE NOTED ALL RESISTORS ARE 1/4W 5%
  2. 5016T NON STD. PWR. AND GND. ARE GND-PIN 11, +5V PIN 2, +12V PIN 9.
  3. K1100A'S ARE 14 PIN PACKAGE'S WITH PINS 1,7,8,14 ONLY

REVISION HISTORY		
DATE	ECO NUMBER	REV

(CLOCK)

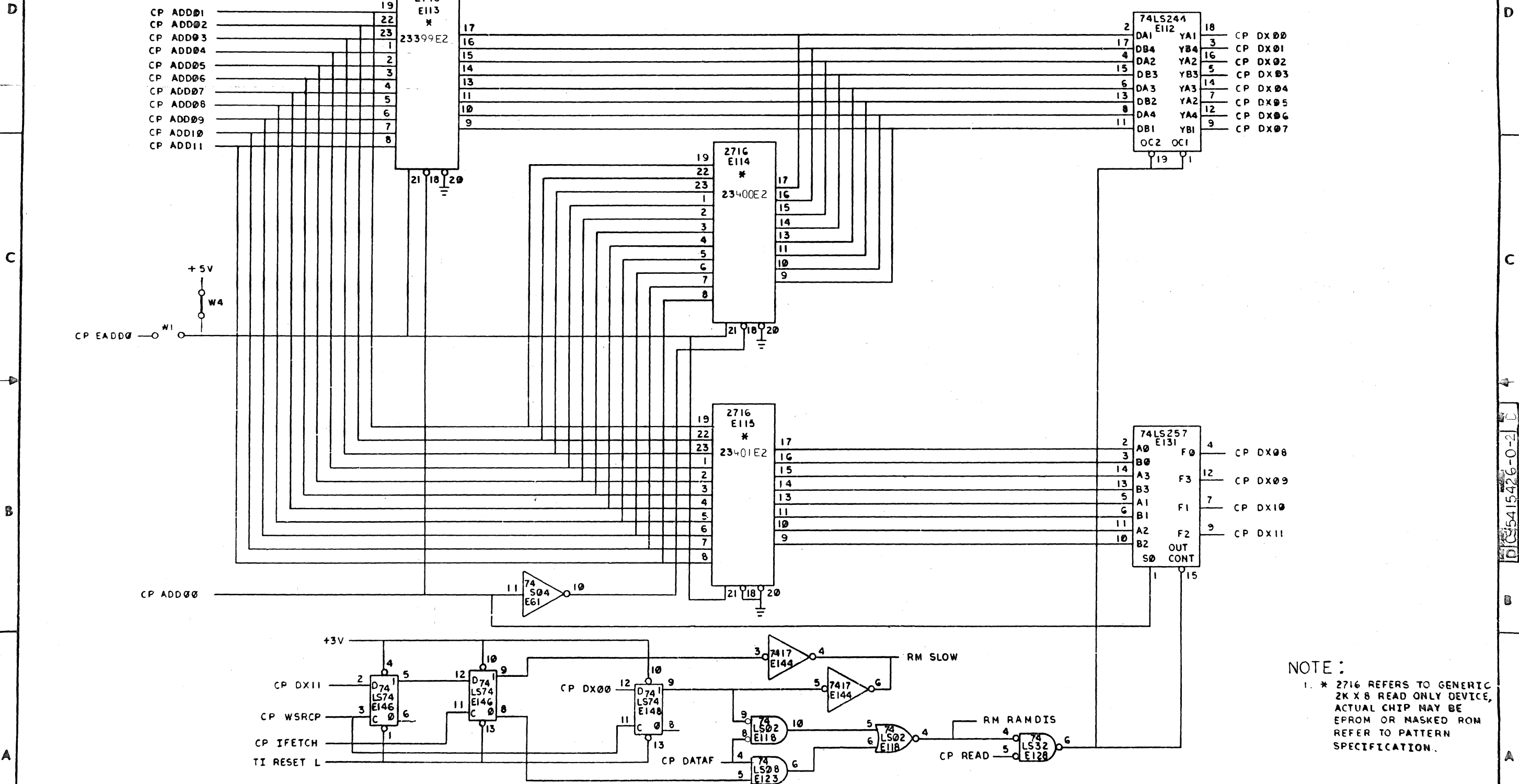
TITLE: DECmate 2

DOCUMENT NUMBER: DCS5415426-0-2

SCALE: 1:1 SHEET 5 OF 16

DCS5415426-0-2 D

THE SCHEMATIC AND SPECIFICATIONS HEREIN ARE THE PROPERTY OF DIGITAL EQUIPMENT CORPORATION AND SHALL NOT BE REPRODUCED OR TRANSMITTED IN ANY FORM OR BY ANY MEANS, ELECTRONIC OR MECHANICAL, INCLUDING PHOTOCOPYING, RECORDING, OR BY ANY INFORMATION STORAGE AND RETRIEVAL SYSTEM, WITHOUT PERMISSION IN WRITING FROM DIGITAL EQUIPMENT CORPORATION.



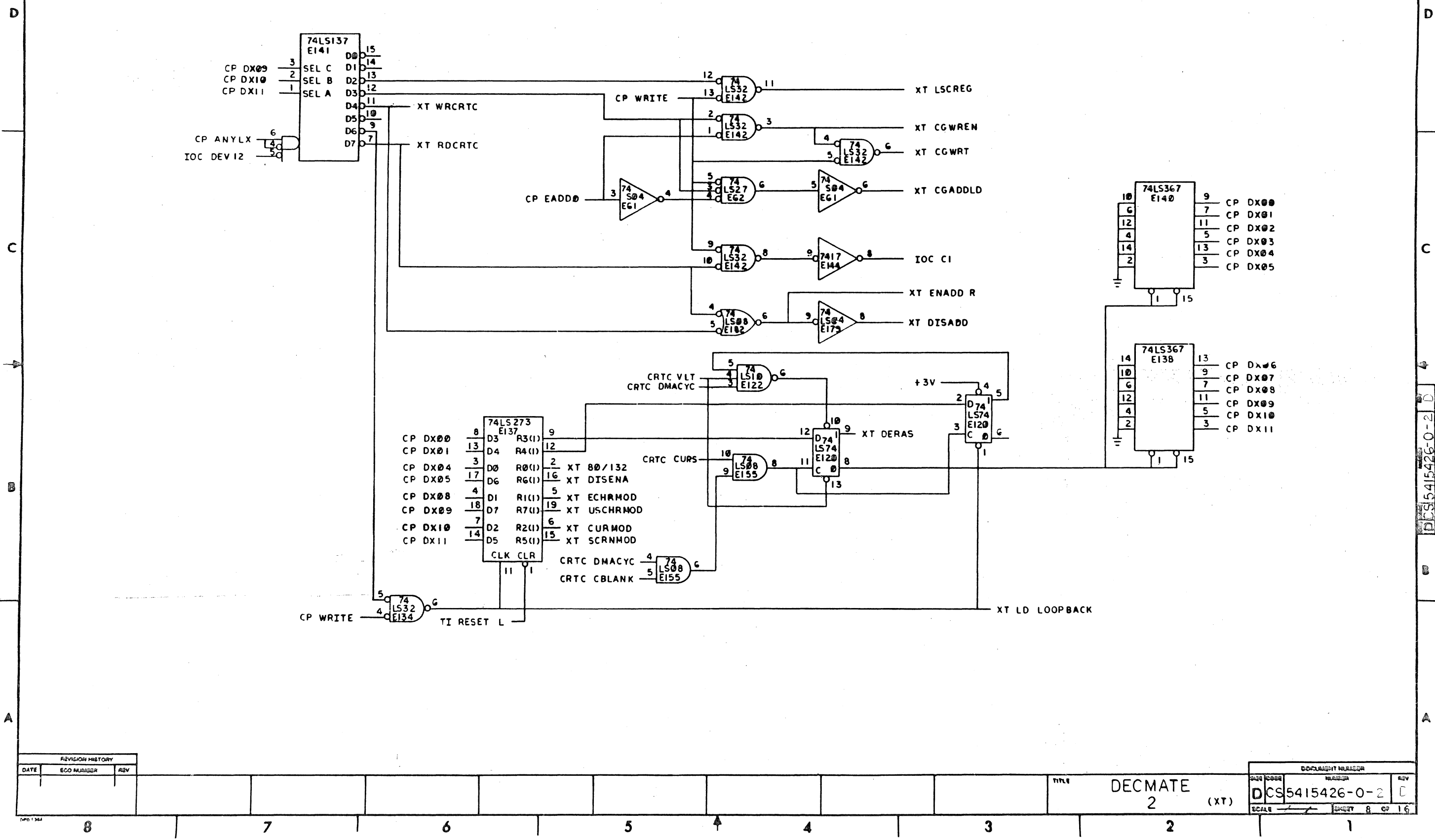
NOTE:  
 1. \* 2716 REFERS TO GENERIC 2K X 8 READ ONLY DEVICE, ACTUAL CHIP MAY BE EPROM OR MASKED ROM REFER TO PATTERN SPECIFICATION.

REVISION HISTORY			DOCUMENT NUMBER			TITLE		
DATE	ECO NUMBER	REV	DATE	ISSUED	REV	DECIMATE		
						2 (RM)		
						SCALE: SHEET 6 OF 16		

DCS 5415426-0-2



THIS DRAWING AND SPECIFICATIONS HEREON ARE THE PROPERTY OF DEC. NO PART IS TO BE REPRODUCED OR TRANSMITTED IN ANY FORM OR BY ANY MEANS, ELECTRONIC OR MECHANICAL, INCLUDING PHOTOCOPYING, RECORDING, OR BY ANY INFORMATION STORAGE AND RETRIEVAL SYSTEM, WITHOUT THE WRITTEN PERMISSION OF DEC.

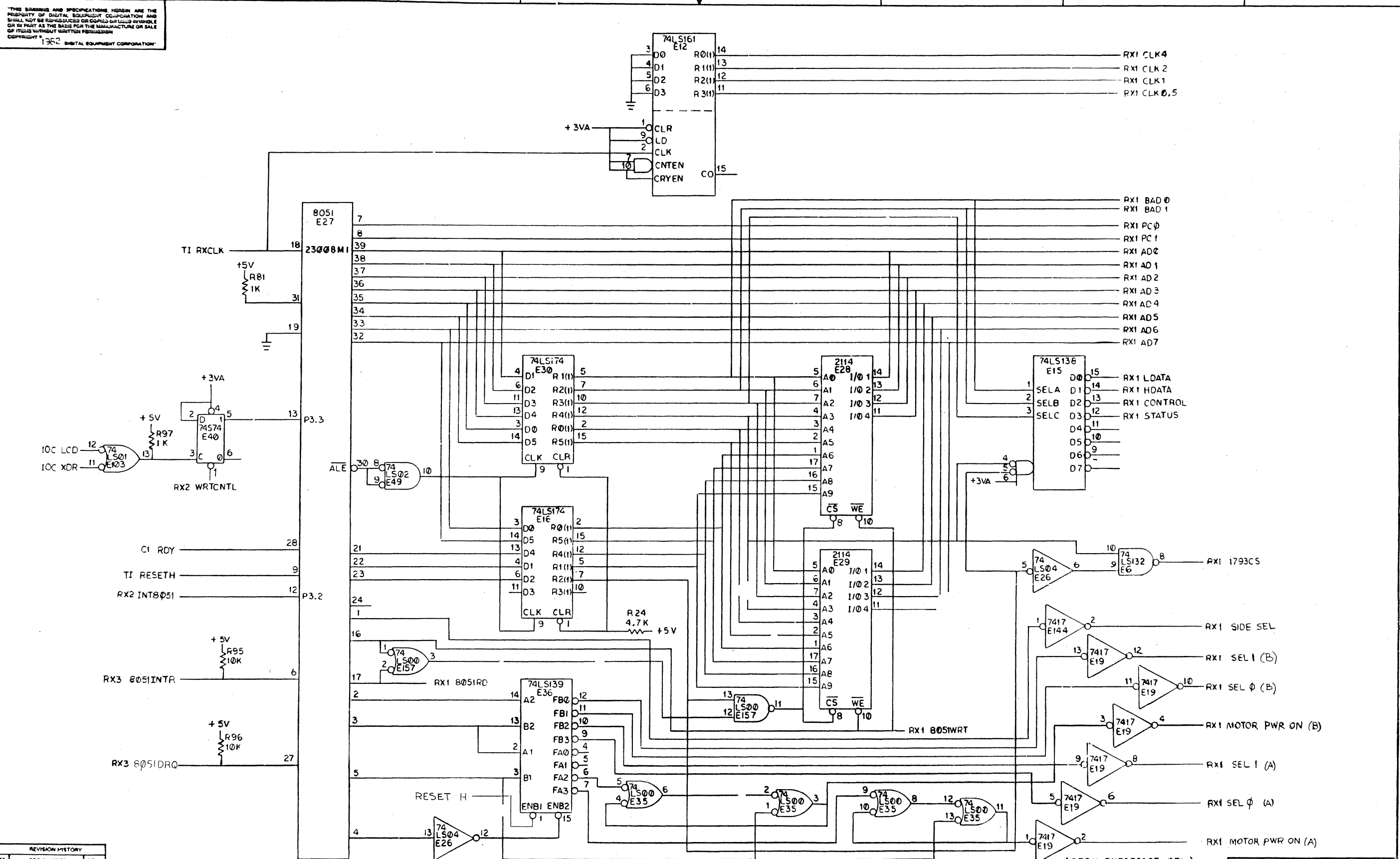


REVISION HISTORY		
DATE	ECO NUMBER	REV



THIS DRAWING AND SPECIFICATIONS HEREIN ARE THE PROPERTY OF DIGITAL EQUIPMENT CORPORATION AND SHALL NOT BE REPRODUCED OR COPIED IN WHOLE OR IN PART AS THE BASIS FOR THE MANUFACTURE OR SALE OF THIS WITHOUT WRITTEN PERMISSION. COPYRIGHT © 1962 DIGITAL EQUIPMENT CORPORATION.

D  
C  
B  
A



D  
C  
B  
A

REVISION HISTORY		
DATE	ECO NUMBER	REV

TITLE		DOCUMENT NUMBER	
DECIMATE 2		DCS 5415426-0-2	
(RX1) SCALE	SHEET 10	OF 16	

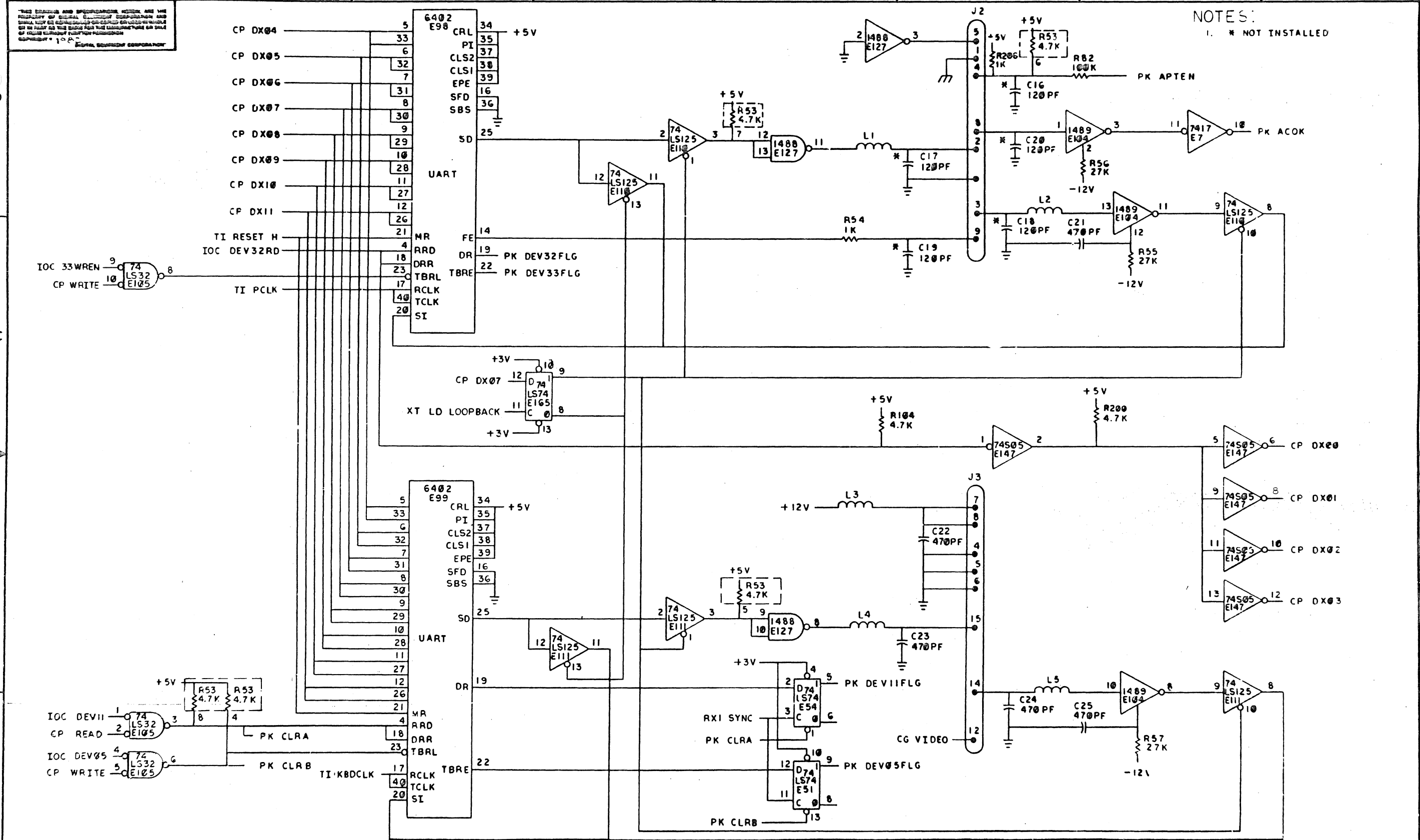






THIS DRAWING AND SPECIFICATIONS HEREIN ARE THE PROPERTY OF DIGITAL EQUIPMENT CORPORATION AND SHALL NOT BE REPRODUCED OR TRANSMITTED IN ANY FORM OR BY ANY MEANS, ELECTRONIC OR MECHANICAL, INCLUDING PHOTOCOPYING, RECORDING, OR BY ANY INFORMATION STORAGE AND RETRIEVAL SYSTEM.

NOTES:  
1. \* NOT INSTALLED



REVISION HISTORY

DATE	ECO NUMBER	REV

(PRINTER AND KEYBOARD)

DCSMATE 2 (PK)

DATE	ECO NUMBER	REV

DCS5415426-0-2

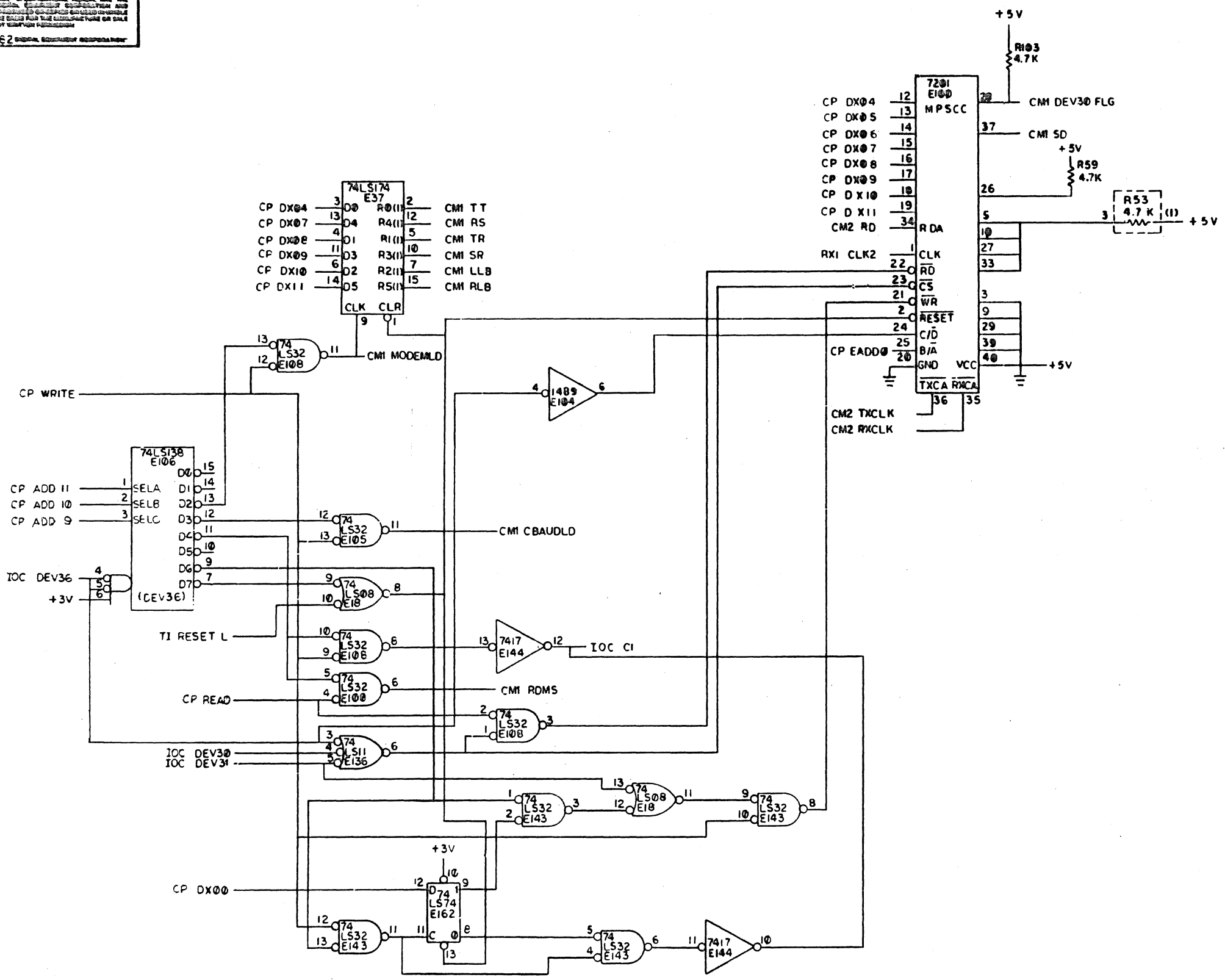
DCS5415426-0-2

THIS DRAWING AND SPECIFICATIONS HEREON ARE THE PROPERTY OF BELL TELEPHONE CORPORATION AND SHALL REMAIN UNREPRODUCED OR REPRODUCED IN WHOLE OR IN PART BY ANY MEANS WITHOUT THE WRITTEN PERMISSION OF BELL TELEPHONE CORPORATION.

1362 SERIAL COMMUNITY EQUIPMENT

D  
C  
B  
A

D  
C  
B  
A



REVISION HISTORY		
DATE	ECO NUMBER	REV

(COMMUNICATIONS)

DECIMATE 2

DOCUMENT NUMBER		
DESIGN	ISSUE	REV
DCS	5415426-0-2	P

DCS 5415426-0-2



