

ILLUSTRATED PARTS BREAKDOWN

PDP 11/35 16 BIT COMPUTER (Basic)

HOW TO USE THE IPB

GENERAL

This IPB is compiled following the organization and nomenclature of the engineering drawing structure.

MAJOR ASSEMBLY LOCATOR

The Major Assembly Locator (first illustration) is an index that provides a description and a figure reference for all illustrations used in this manual.

INDENTED PARTS LIST

This manual identifies each assembly being broken down (figure reference callout), and all parts of that assembly. Further breakdown of an assembly is shown by an asterisk (*) preceding the item callouts in the Description Column. The number of asterisks preceding an item is used to denote the subordination of that item with respect to the Major Assembly. A single asterisk preceding an item description indicates that the item is part of the major assembly being illustrated. Items that are subordinate to single asterisks items, are denoted by two asterisks (**) and immediately follow the related single asterisk item. Additional asterisks are used, as required, to denote further subordination. This system of part identification, provides a means for the user to identify the next higher assembly item and make alternate selections for parts when the required replacement part or assembly is not immediately available.

COLUMN CALLOUT DESCRIPTION

Figure & Item - Indicates the figure number and item number of each part.

Description - Lists the name of the part and pertinent specifications (when required). Asterisks preceding the description denote the subordination of the part to the next higher assembly.

DEC Part No. - Lists the DEC part ordering number. A blank in this column indicates a DEC part number was not assigned at the time of publication.

ECO Cut-In - The notation at the top of this column indicates the ECO level of the system (option), at which the IPB was initially prepared. Subsequent ECO level designations, that modify existing parts or add new parts to the device, are inserted in the ECO Cut-In column next to the part that is added or modified. A bracket ([]) preceding the item description is used to indicate the parts affected by ECO's.

Vendor Code/Part No. - Indicates vendor parts that are not stocked by DEC. Refer to the Field Service Spares Catalog (vendor part number to DEC part number) for the vendor code cross-reference.

Used On Code - Letters in this column correspond to the variation codes assigned in Figure 1. Parts with an Alpha notation(s) are used only in those option variations. A blank indicates that the part is used on all option variations.

Ref Fig No. - A cross reference between illustrations. For each Major Assembly, the number in this column denotes the figure of the next higher assembly. For all subassemblies, the number in this column denotes the figure showing additional detailed breakdown.

SYMBOL USAGE

Hardware Designators - Alpha designators for screws (S), washers (W), nuts (N), and retaining rings (R) are inserted after the item number callouts on the illustration when stacked item numbers are used.

Attaching Hardware - The @ symbol is inserted before any part that is used as attaching hardware. Attaching hardware is denoted as those parts that are not an integral part of the referenced assembly.

(NFR) Not Field Repairable - The (NFR) symbol is inserted after any assembly that is not to be field dismantled.

Other Symbols - Any other symbols that are required for kits, accessories, etc., will be explained and appear as part of the item description.

REVISION HISTORY

PRINTING	ECO LEVEL	DATE	PAGES AFFECTED
1st Printing	11/35 00000 0010A	10-21-74	N/A
"	BA11D 00000-00009		
"	BC05T 00002 00002		
"	BC05U 00002 00002		
"	H400 00005 0000 7		
"	BC08R 0004A 0004A		
"	70-09209 00002 00002		
"	70-10011 00001 00001		

Copyright © 1974, by Digital Equipment Corporation

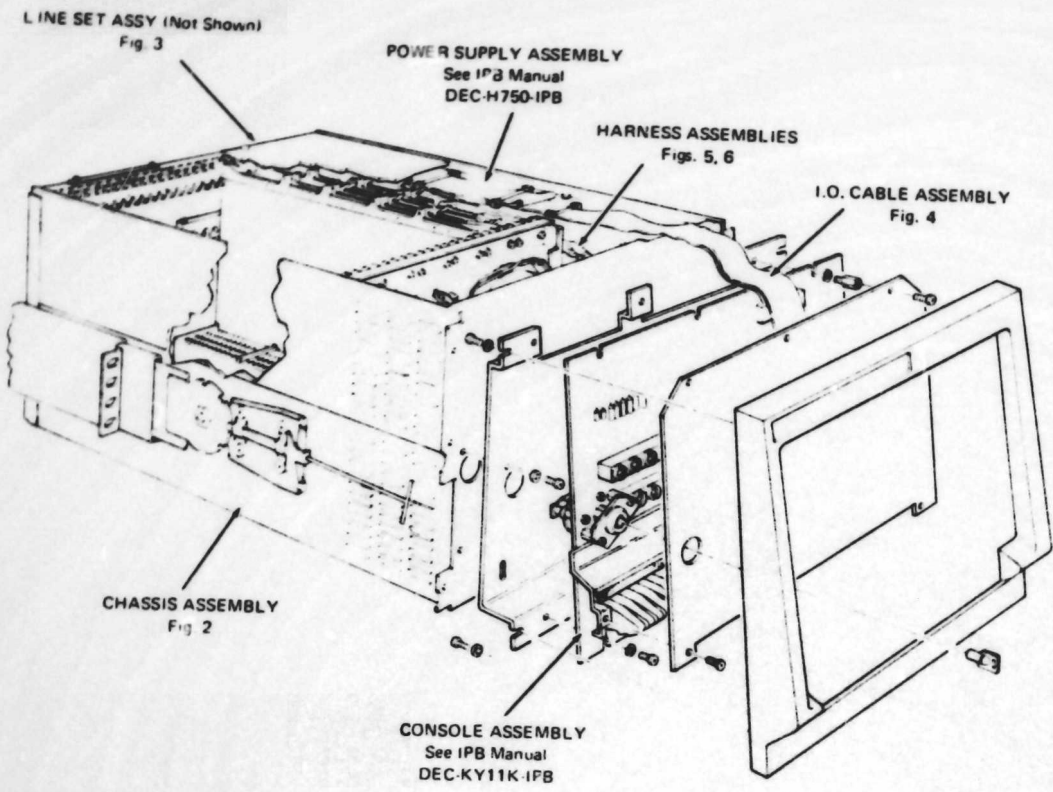
DEC reserves the right, without notice, to make substitutions and modifications in the specifications of products documented in this manual and further reserves the right to withdraw any of these products from the market without notice.

DEC is not responsible for errors which may appear in the technical description (including illustrations and photographs) of the products covered by this manual.

None of the descriptions contained in this manual imply the granting of any license whatsoever to make, use or sell equipment constructed in accordance therewith.

Printed in U.S.A.

PDP 11/35 - 1



11-35-01

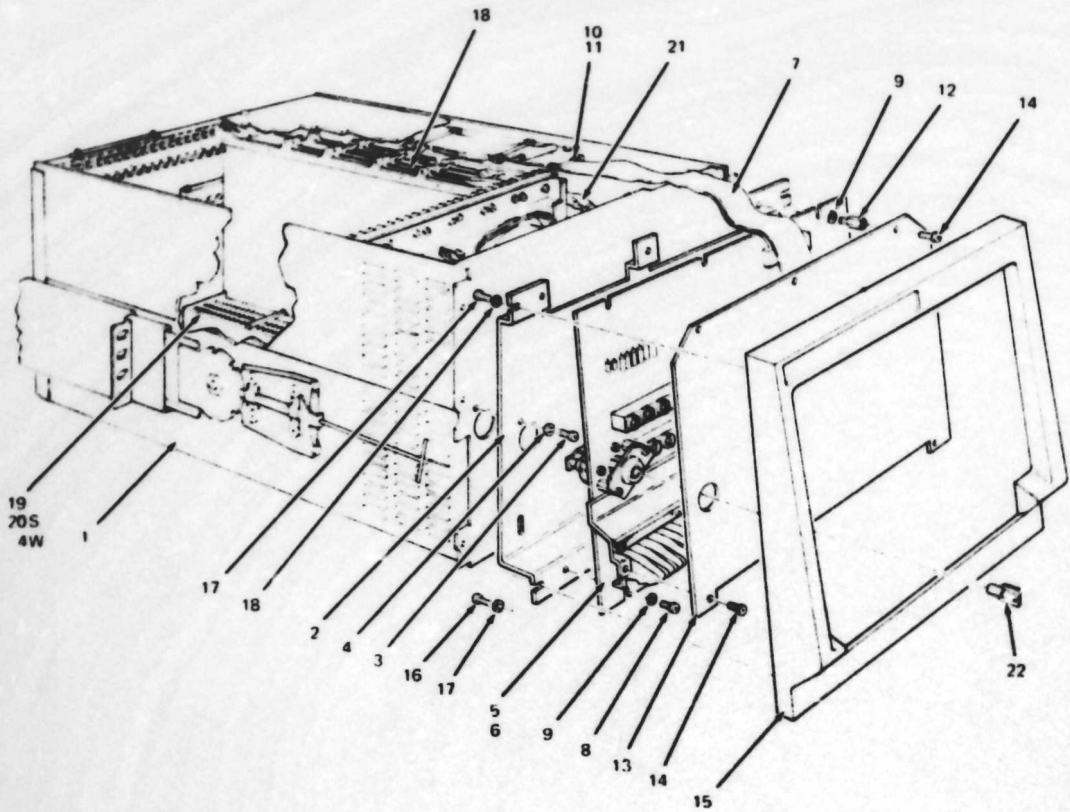
Major Assembly Locator, PDP 11/35 16 Bit Computer (Basic)

1

1 2

IPB-11/35

PDP 11/35 - 2



11 35 01

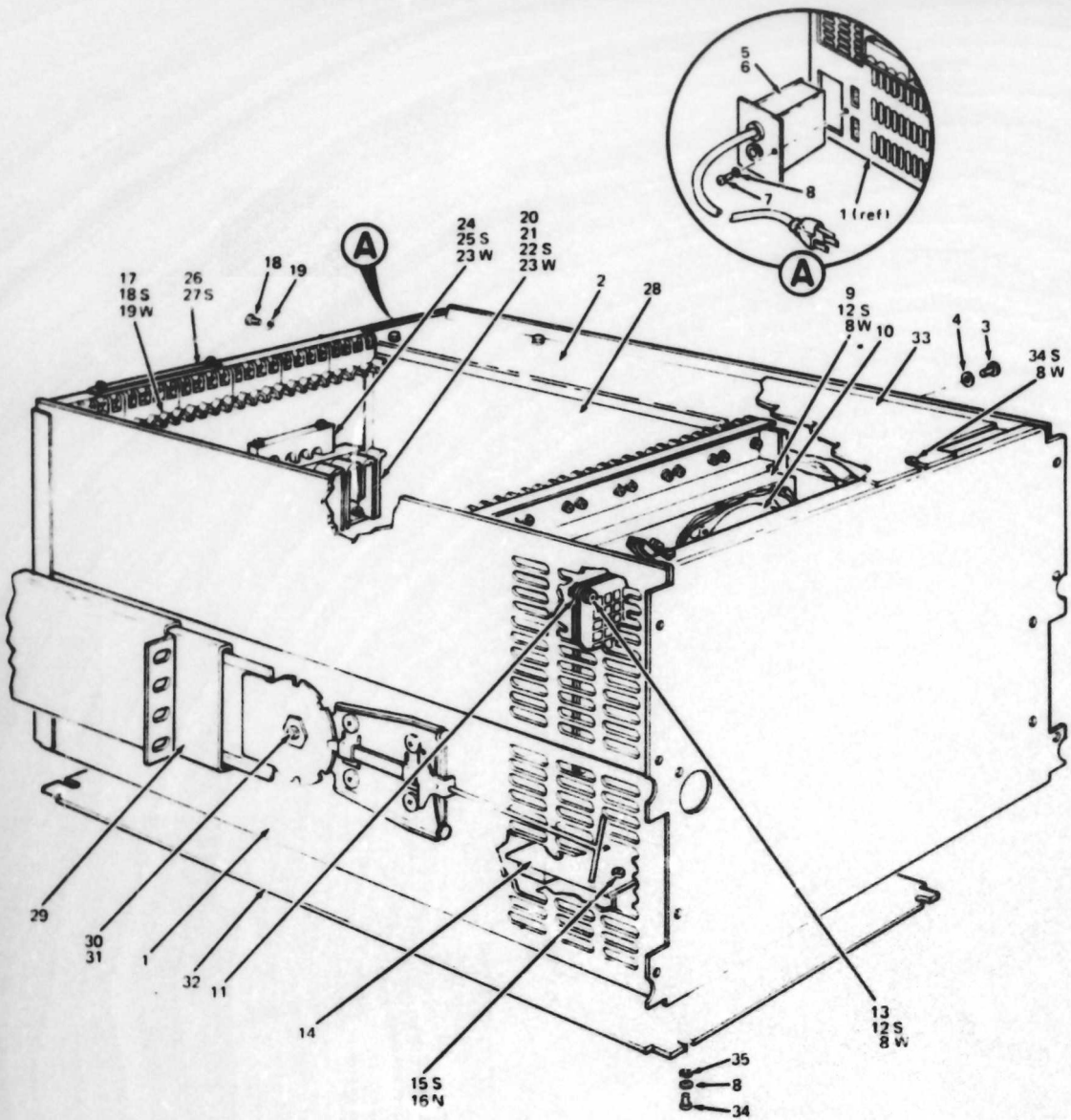
Figure 1. PDP 11/35 16 Bit Computer Assembly (Basic)



IPB-11/35

PDP 11/35 - 3

FIG & ITEM NO.	DESCRIPTION	DEC PART NO.	ECO CUT-IN 11/35 00000	USED ON CODE	VENDOR		REF FIG NO.
					CODE	PART NO.	
1-	PDP 11/35 COMPUTER ASSEMBLY (Basic) Code A - Used on Model 11/35-AA 115V 60 Hz Code B - Used on Model 11/35-AB 230V 50 Hz	11/35-AA 11/35 AB					
1	*CHASSIS ASSEMBLY (115V)	8A11-DA					2
	*CHASSIS ASSEMBLY (230V)	8A11-DB					2
2	*Bracket, Console Mounting	74-10775-00					
3	*Screw, Phi Pan Hd No. 10-32 x .31	90-06070-01					
4	*Washer, Int Tooth Lock No. 10	90-06635-00					
5	*CONSOLE ASSEMBLY	KY11-K				See IPB Manual DEC-KY11K-IPB	
6	**Console Assy	54-10290-00				See IPB Manual DEC-KY11K-IPB	
7	**I. O. Cable Assy	8C08R-03					4
8	*Screw, Phi Pan Hd No. 6-32 x .31	90-06071-01					
9	*Washer, Int Tooth Lock No. 6	90-06633-00					
10	*Tie Wrap	90-07032-00					
11	*Tie Wrap	90-07033-00					
12	*Standoff, Male-Female No. 6-32 x 7/8	90-09120-01					
13	*Panel, Indicator	74-09881-00					
14	*Screw, Slotted Flat Hd Nylon No. 6-32 x .38	90-06404-02					
15	*Bezel, Rework (Sand Cast) (Deleted)	74-09305-00					
	*Bezel, (Die Cast) (Added)	12-10710-00	00007				
16	*Screw, Phi Pan Hd No. 8-32 x .38	90-06037-01					
17	*Washer, Int Tooth Lock No. 8	90-06634-00					
18	*PROCESSOR (KD11-A) (Refer to Module Utilization Dwg. D-MU-KD11-A)	KD11-A					
19	**Wired Assembly (KD11-A) (Deleted) (Old Design with Fastab Connections)	70-09009-00					
	**Wired Assembly (KD11-A) (Added) (New Design with Soldered Connections)	70-10230-00					
						KD11-A 00009	
20	*Screw, Phi Pan Hd No. 10-32 x 1"	90-06077-01					
21	*HARNES, Processor Power (Deleted) Note: This Harness is used when connected to Backplane with Fastabs.	70-09209-00					5
	*HARNES, Processor Power (Added) Note: This Harness is used when solder connections to Backplane are required.	70-10011-00					6
22	*Key	29-15853-00				99 XX2247	



11/03-00

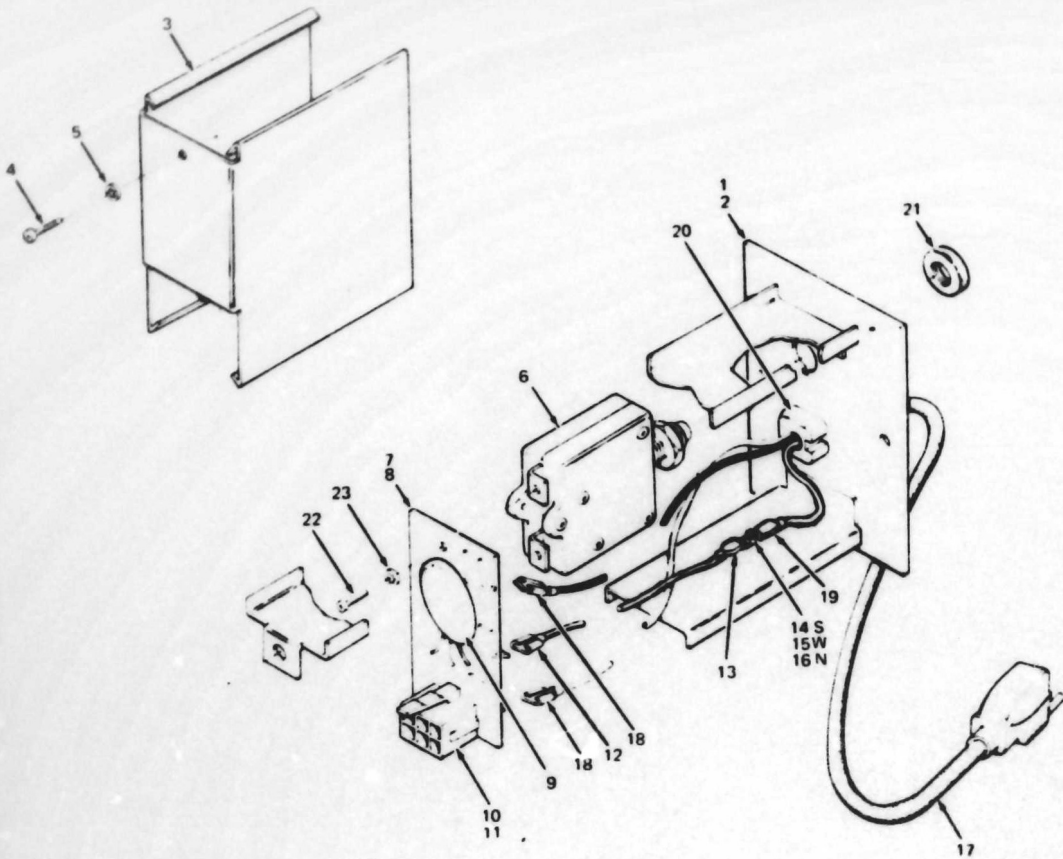
Figure 2. Chassis Assembly



IPB 11/35

PDP 11/35-5

FIG & ITEM NO.	DESCRIPTION	DEC PART NO.	ECO CUT-IN BA11D 00000	USED ON CODE	VENDOR		REF FIG NO.
					CODE	PART NO.	
2-	CHASSIS ASSEMBLY (115 V) CHASSIS ASSEMBLY (230 V)	BA11 DA BA11 DB		A B			1 1
1	*Chassis Assembly	74 09887-00					
2	*H750 POWER SUPPLY	H750-00				See IPB Manual DEC H750-IPB	
3	*Screw, Phi Hd Truss No. 10-32 x .37	90 06071-03					
4	*Washer, Int Tooth Lock No. 10	90-06645-00					
5	*LINE SET ASSEMBLY 115 V AC 10A	8C05T-00		A			3
6	*LINE SET ASSEMBLY 230 V AC 5A	8C05U-00		B			3
7	*Screw, Phi Pan Hd No. 6-32 x .19 (Deleted)	90-08020-01					
	*Screw, Phi Pan Hd No. 6-32 x .31 (Added)	90-06021-01	00006				
8	*Washer, Int. Tooth Lock No. 6	90-06634-00					
9	*Housing, Fan (Added)	74-11321-00	00004				
10	*Fan, Super Boxer	12-09403-00					
11	*Screen, Fan	74-04881-00					
12	*Screw, Phi Hd Pan No. 6-32 x .62 Lg.	90-06025-01					
13	*Clip, Fan Mtg. No. 6-32	90-09165-00					
14	*POWER TO DISTRIBUTION BOARD HARNES ASSEMBLY (Rework)	70-09208-00	00002				
15	*Screw, Phi Hd Pan No. 6-32 x .81 Lg.	90-08037-01					
16	*Nut, Kep No. 6-32	90-06560-00					
17	*Guide, Extractor and Card	12-10699-00					
18	*Screw, Phi Hd Pan No. 4-40 x .25 Lg.	90-08301-01					
19	*Washer, Int. Tooth Lock No. 4	90-06632-00					
20	*Guide, Card	12-10826-00					
21	*Guide, Card (Special) (Rework)	74-10589-00					
22	*Screw, Phi Hd Pan No. 8-32 x .31 Lg.	90-06036-01					
23	*Washer, Int. Tooth Lock No. 8	90-06634-00					
24	*Block, Cable Retaining	12-10931-00					
25	*Screw, Phi Hd Pan No. 8-32 x 1.25 Lg.	90-06044-01					
26	*Plate, Cable Clamp	74-09317-00					
27	*Screw, Phi Hd Flat No. 6-32 x .19 Lg.	90-08020-02					
28	*Mylar Sheet 8.50 x 15.75 x .001	49-11283-00					
29	*Slide, (Chassis Trac) 1 Pair	12-11190-00					
30	*Rod, Slide Pivot	74-09862-00					
31	*Bushing, Slide Pivot	74-09861-00					
32	*Cover, Bottom	74-09885-00					
33	*Cover, Top	74-09886-00					
34	*Screw, Slot Binder Hd No. 6-32 x 1/4	90-06020-04					
35	*Washer, Flat	90-06664-00					



TU60-07

Figure 3. Line Set Assembly

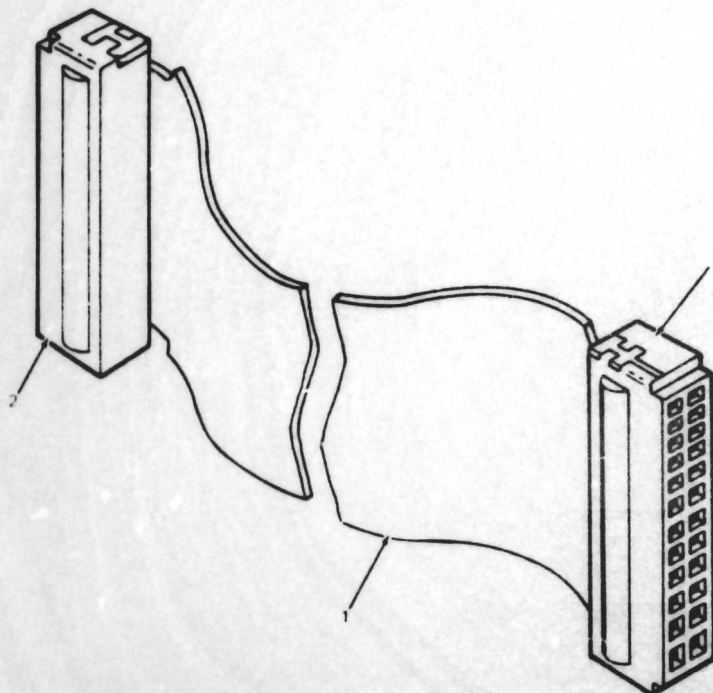


IPB-11/35

PDP 11/35-7

FIG & ITEM NO.	DESCRIPTION	DEC PART NO.	ECO CUT-IN BC05 T/U 00002 H400 00005	USED ON CODE	VENDOR		REF FIG NO.
					CODE	PART NO.	
3-	LINE SET ASSEMBLY (115V) LINE SET ASSEMBLY (230V)	BC05T-00 BC05U-00		A B			2 2
1	*AC INPUT BOX ASSEMBLY 115V	H400-C		A			
2	*AC INPUT BOX ASSEMBLY 230V	H400-D		B			
3	**Box	53-09845-00					
4	**Cover	53-09849-00					
5	**Screw, Phi Hd Pan No 6-32 x 1/4 Lg	90-06020-01					
6	**Washer, Lock No. 6 Int. Tooth	90-06633-00					
7	**Circuit Breaker 10A 115V (Includes Items 21, 22, 23)	12-10830-05		A			
8	**Circuit Breaker 5A 230V (Includes Items 21, 22, 23)	12-10830-10		B			
9	**POWER CONTROL BOARD ASSEMBLY 115V (Etch Rev. A)	54-09824-00		A			
10	**POWER CONTROL BOARD ASSEMBLY 230V (Etch Rev. A)	54-09825-00		B			
11	***Board, Etched Circuit 115V (Etch Rev. A)	50-09821-00		A			
12	***Board, Etched Circuit 230V (Etch Rev. A)	50-09822-00		B			
13	***Capacitor, Input .02 MFD, Dual Section Disc	10-10767-00					
14	***Housing, Socket Mate-N-Lok	12-09350-06					
15	***Pin, Contact	12-09456-00					
16	**Connector, Solderless	90-07917-00					
17	**Eyelet, Crimp on	90-07929-01					
18	**Screw, PHI Pan Hd No 4-40 x 3/8 Lg.	90-06011-01					
19	**Washer, Int. Tooth Lock No. 4	90-06632-00					
20	**Nut, Kep No. 4-40	90-06557-00					
21	*Power Cord 120V (6 ft.)	17-00015-06		A			
22	*Power Cord 120V (9 ft.)	17-00015-09		A			
23	*Power Cord 240V (6 ft.)	17-00016-06		B			
24	*Power Cord 240V (9 ft.)	17-00016-09		B			
25	*Connector, Solderless	90-07917-00					
26	*Connector, Solderless	90-07927-00					
27	*Strain Relief 6N3 4	90-08492-02					
28	†Nut, Knurl No. 7/16-28 (Part of Item 6)						
29	†Screw, No. 6-32 (Part of Item 6)						
30	†Washer No. 6 (Part of Item 6)						

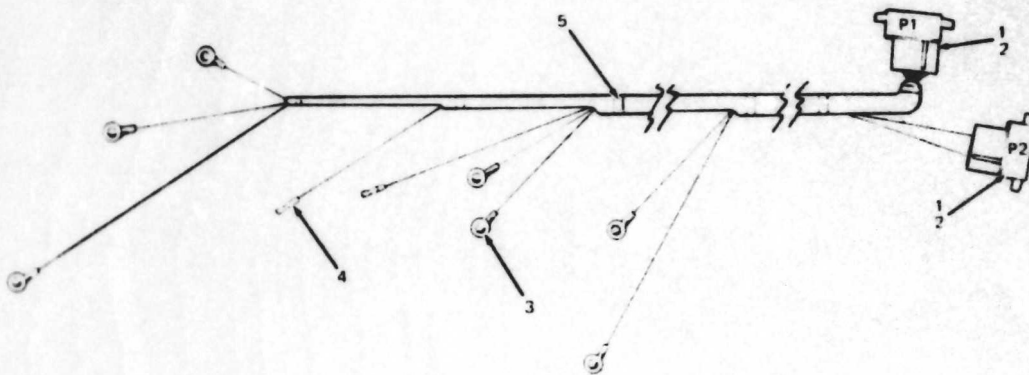
FIG & ITEM NO.	DESCRIPTION	DEC PART NO.	ECO CUT-IN BC08R 0004A	USED ON CODE	VENDOR		REF FIG NO.
					CODE	PART NO.	
4-	BC08R I/O CABLE ASSEMBLY						1
	I/O Cable Assembly (1 ft.)	BC08R 01					
	I/O Cable Assembly (2 ft.)	BC08R 02					
	I/O Cable Assembly (3 ft.)	BC08R 03					
	I/O Cable Assembly (4 ft.)	BC08R 04					
	I/O Cable Assembly (6 ft.)	BC08R 06					
	I/O Cable Assembly (8 ft.)	BC08R 08					
	I/O Cable Assembly (10 ft.)	BC08R 10					
	I/O Cable Assembly (12 ft.)	BC08R 12					
	I/O Cable Assembly (20 ft.)	BC08R 20					
	I/O Cable Assembly (25 ft.)	BC08R 25					
	I/O Cable Assembly (30 ft.)	BC08R 30					
	I/O Cable Assembly (50 ft.)	BC08R 50					
	I/O Cable Assembly (60 ft.)	BC08R 60					
	I/O Cable Assembly (75 ft.)	BC08R 75					
	I/O Cable Assembly (100 ft.)	BC08R A0					
	I/O Cable Assembly (130 ft.)	BC08R A3					
	I/O Cable Assembly (160 ft.)	BC08R A6					
1	* Cable, 40 Cond. Flat with Shield (Specify Length)	17 00004 00					
2	* Connector, 40 Socket	12 11206 00					



11/40/14

Figure 4. BC08R I/O Cable Assembly

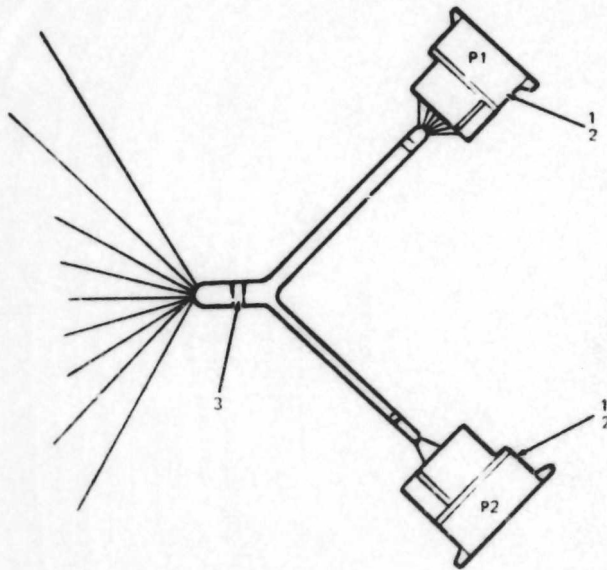
FIG & ITEM NO.	DESCRIPTION	DEC PART NO.	ECO CUT-IN 70-09209 00002	USED ON CODE	VENDOR		REF FIG NO.
					CODE	PART NO.	
5-	POWER HARNESS ASSEMBLY (11/35)	70-09209-00					1
1	* Connector (P1, P2) (Pin Housing) Mate-N Lok	12 09351 09					
2	* Terminal, Pin Contact	12 09378 01					
3	* Connector, Fasten Amp	90-09262 00					
4	* Connector, Amp	90-07655 00					
5	* Tie Wrap, Panduit	90-07031 00					



11/35-02

Figure 5. Power Harness Assembly (11/35)

FIG & ITEM NO.	DESCRIPTION	DEC PART NO.	ECO CUT-IN	USED ON CODE	VENDOR		REF FIG NO.
			70-10011 00001		CODE	PART NO.	
6 -	POWER HARNESS ASSEMBLY (11/35)	70-10011-00					1
1	*Connector (P1, P2) (Pin Housing)	12-09351-09					
2	*Mate-N-Lok	12-09378-01					
3	*Terminal, Pin Contact	90-07031-00					
	*Tie Wrap						
							DEC



11/35 03

Figure 6. Power Harness Assembly (11/35)