

TABLE OF CONTENTS

B-DD-67273-0-0	DOUBLE GRANT (DD ONLY)
D-UA-67273-0-0	DOUBLE GRANT
D-CS-M9302-0-1	UNIBUS TERMINATOR
B-DD-5416196-0-0	11/84 FRONT PANEL (DD ONLY)
K-PL-5416196-0-DBP	11/84 FRONT PANEL
D-UA-5416196-0-0	11/84 FRONT PANEL
D-CS-5416196-0-1	11/84 FRONT PANEL
B-DD-5416058-0-0	CONSOLE DISTRIBUTION BOARD (DD ONLY)
K-PL-5416058-0-DBP	CONSOLE DISRRIBUTION BOARD
D-UA-5416058-0-0	CONSOLE DISTRIBUTION BOARD
D-CS-5416058-0-1	CONSOLE DISTRIBUTION BOARD
B-DD-H7202-K-DBU	H7202-K POWER SUPPLY (DD ONLY)
K-PL-H7202-K-DBP	H7202-K POWER SUPPLY
E-UA-H7202-K-0	H7202-K POWER SUPPLY
D-IC-H7202-K-DBU	H7202-K POWER SUPPLY
D-UA-5413857-0-0	MAJOR BOARD (+5V60A)
K-PL-5413857-0-DBP	MAJOR BOARD (+5V60A)
D-CS-5413857-0-1	MAJOR BOARD (+5V60A)
E-UA-5413867-0-0	COMM. REG. BOARD (+/-15V)
K-PL-5413867-0-DBP	COMM. REG. BOARD (+/-15V)
D-CS-5413867-0-1	COMM. REG. BOARD (+/-15V)
E-UA-5413869-0-0	MEM. REG. BOARD (+5V)
K-PL-5413869-0-DBP	MEM. REG. BOARD (+5V)
D-CS-5413869-0-1	MEM. REG. BOARD (+5V)
K-BD-KDJ11-B-B	KDJ11-B BLOCK DIAGRAMS
K-PL-KDJ11-B-DBP	KDJ11-B CPU (PL)
MP-01969-01	KDJ11-B FIELD MAINTENANCE PRINT SET (MP)
MP-02010-01	KTJ11-B FIELD MAINTENANCE PRINT SET (MP)

TITLE:	11/84 UNIT ASSY	SHEET 2 OF 2	SIZE CODE B TC	NUMBER 11/84-0-DBU	REV. A
--------	-----------------	--------------	--------------------------	-----------------------	-----------

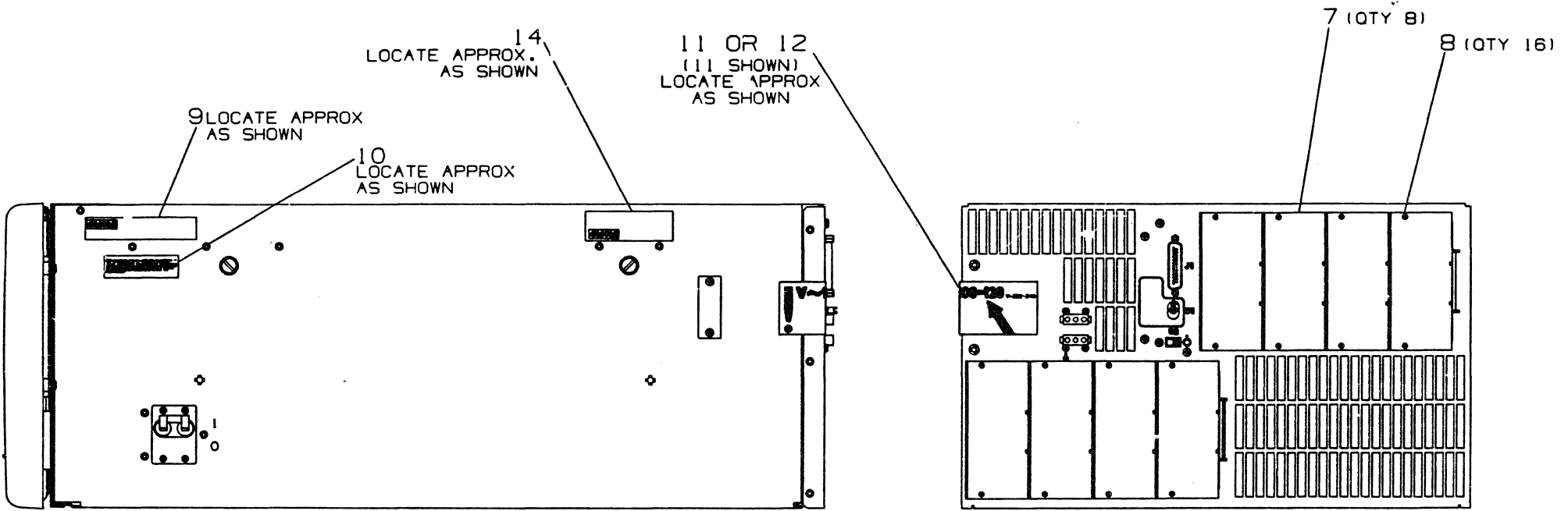
"THIS DRAWING AND SPECIFICATIONS, HEREIN, ARE THE PROPERTY OF DIGITAL EQUIPMENT CORPORATION AND SHALL NOT BE REPRODUCED OR COPIED OR USED IN WHOLE OR IN PART AS THE BASIS FOR THE MANUFACTURE OR SALE OF ITEMS WITHOUT WRITTEN PERMISSION. COPYRIGHT © 1982 DIGITAL EQUIPMENT CORPORATION"

DUA 11/84-0-DBU

B

A

REVISIONS		
CHK	CHANGE NO	REV



8

7

6

5

4

3

2

TWO

1

TITLE	11/84 UNIT ASSEMBLY	SIZE CODE	DUA	NUMBER	11/84-0-DBU	REV	B
SCALE	1/2	SHEET	2	OF	2	DIST	

B

A

1

D

C

B

B

A

8 11/84-0-DBU 2

LINE	ITEM	TOP DOCUMENT	PART NUMBER	MIN REV	DESCRIPTION	QTY PER VARIATION							
						PA A2	PB A2	PC A2	PD A2	AA A1	AB A1	BA A1	BB A1
1	1	D-AD-7022012-0-DBU	7022012-01		11/84 BOX ASSEMBLY	1	1	1	1	-	-	-	-
2	2	B-DD-KDJ11-B-DBU	KDJ11-BC		15MHZ M8190 CPU,DCJ11-AA,2 BOOT	1	1	1	1	-	-	-	-
3	3	B-DD-KTJ11-B-DBU	KTJ11-B		M8191 UNIBUS ADAPTOR FOR KDJ11-B	1	1	1	1	1	1	1	1
4	4	B-DD-MSV11-RA-DBU	MSV11-RA		1MB PARITY PMI MEMORY (M7458-AA)	1	1	2	2	-	-	-	-
5	5	B-DD-M9302-0-1	M9302-00		UNIBUS TERMINATOR	1	1	1	1	1	1	1	1
6	6	B-DD-G7273-0-0	G7273-00		BUS GRANT & NON-PROCESSOR GRANT	8	8	8	8	8	8	8	8
7	7	D-MD-7426407-01-DBU	7426407-01		PANEL,SUB,DOUBLE	8	8	8	8	8	8	8	8
8	8		9009643-02		SCREW,SEMS PAN PHIL 4-	16	16	16	16	16	16	16	16
9	9		3617674-01		LABEL,SERIAL/POWER W UL & CSA	1	1	1	1	1	1	1	1
10	10		3617880-02		LABEL,FCC,CLASS A,PROCESSOR	1	1	1	1	1	1	1	1
11	11		3617905-16		LABEL,WARNING EQUIP. RATING,100-	1	-	1	-	1	-	1	-
12	12		3617905-17		LABEL,WARNING EQUIP. RATING,220-	-	1	-	1	-	1	-	1
13	13		3624101-01		LABEL,MODULE UTILIZATION 11/84 B	1	1	1	1	1	1	1	1
14	14		9009255-00		LABEL, POWER SUPPLY, 2-15/16 " L	1	1	1	1	1	1	1	1
15	15		1213686-00		CHASSIS SLIDE SET INCLUDED 1 L.H	1	1	1	1	1	1	1	1
16	16	K-PL-7022377-0-DBP	7022377-01		HARDWARE KIT, RACK MOUNTING	1	1	1	1	1	1	1	1
17	17	K-PL-7022347-0-DBP	7022347-01		11/84 ACC KIT 120V	1	-	1	-	1	-	1	-
18	18	K-PL-7022348-0-DBP	7022348-01		11/84 ACC. KIT 240V	-	1	-	1	-	1	-	1
19	19		MSV11-JB		1MB ECC MEMORY (M8637-BA)	-	-	-	-	1	1	-	-
20	20		MSV11-JC		2MB ECC MEMORY (M8637-CA)	-	-	-	-	-	-	1	1
21	21		KDJ11-BF		18MHZ M8190-AE CPU,DCJ11-AA,FPJ1	-	-	-	-	1	1	1	1
22	22		M7556-00		MINIMUM LOAD MODULE,+5V 1A,-15V	-	-	-	-	2	2	2	2
23	23	D-AD-7022012-0-DBU	7022012-02		11/84 BOX ASSY	-	-	-	-	1	1	1	1
24	24		1213686-04		MOUNTING RAIL	1	1	1	1	1	1	1	1

25 NOTE: FINISHED PRODUCT TO BE PACKAGED PER 3700656-02

REVISION HISTORY			BASIC PART NO: 11/84		DRN:	M. LYONS	DATE:	DIGITAL					
ENG:	ECO NUMBER	REV	SECTION A	OF A	CHK'D:	E.C. BLANCHETTE	DATE:	11/84 UNIT ASSEMBLY					
---	INITIAL	A	SECTION VARIATION INDEX		DES.ENG:	P. MATTHEW	DATE:	DOCUMENT NUMBER					
PM	11/84-TW001	B	[A]PA,PB,PC,PD,AA,AB, BA,BB		RESP.ENG.:	M. MORIN	DATE:	K	PL	11/84-0-DBP	B		
			[B]		MFG.ENG.:	W. HALL	DATE:	RELEASE DATE: 14-AUG-85					
			[C]		ASSEMBLY NUMBER:	D-UA-11/84-0-DBU	TOP DOCUMENT NUMBER:	B-DD-11/84-0-DBU		FILE NAME:	ML710B.PLS	EDIT #:	5
			[D]										
			[E]										
			[F]										

"THIS DRAWING AND THE SPECIFICATIONS CONTAINED HEREIN ARE CONFIDENTIAL AND PROPRIETARY. THEY ARE THE PROPERTY OF DIGITAL EQUIPMENT CORPORATION AND SHALL NOT BE REPRODUCED OR COPIED OR USED IN WHOLE OR IN PART AS THE BASIS FOR THE MANUFACTURE OR SALE OF ITEMS WITHOUT WRITTEN PERMISSION. THIS IS AN UNPUBLISHED WORK PROTECTED UNDER THE FEDERAL COPYRIGHT LAWS."

AUTOMATED BY PRTLST.5R(55)

P A R T S L I S T

SHEET A2 OF A2

LINE ITEM	TOP DOCUMENT	PART NUMBER	MIN REV	DESCRIPTION	QTY PER VARIATION							
					PA	PB	PC	PD	AA	AB	BA	BB
VARIATION REVISION LEVEL:					A2	A2	A2	A2	A1	A1	A1	A1

26 NOTE: ITEMS #15-#18 & #24 (NOT SHOWN ON DRAWING) TO BE INCLUDED AS LISTED IN SHIPPING CONTAINER.

D	I	G	I	T	A	L	TITLE	11/84 UNIT ASSEMBLY	SECTION A	OF	A	SIZE	CODE	DOCUMENT NUMBER	REV
												K	PL	11/84-0-DBP	B

LINE	ITEM	TOP DOCUMENT	PART NUMBER	MIN REV	DESCRIPTION	QTY PER VARIATION	
						01	02
					VARIATION REVISION LEVEL:	A2	A1
1	1	D-AD-7021842-0-0	7021842-01		BOX FRAME ASSY	1	1
2	2	D-AD-7021562-0-0	7021562-01		CARD CAGE ASSY.	1	1
3	3	B-DD-H7202-KA-0	H7202-KA		REPACKAGED H7202-B (H7200,H7211,	1	1
4	4	B-DD-5416058-0-0	5416058-01		CONSOLE DISTRIBUTION CARD	1	1
5	5	D-IA-7021974-0-DBU	7021974-01		COVER ASSY	1	1
6	6	D-AD-7021888-0-DBU	7021888-01		FRONT PANEL ASSY	1	1
7	7	D-AD-7021973-0-DBU	7021973-01		BEZEL ASSY	1	1
8	8	D-UA-7020650-0-DBU	7020650-01		BACKPLANE, WIRED ASSY	1	1
9	9	D-IA-7430143-0-DBU	7430143-01		BAFFLE, REAR, POWER SUPPLY	1	1
10	10	C-IA-7430553-0-DBU	7430553-01		BAFFLE, LOWER, POWER SUPPLY	1	1
11	11	D-MD-7430749-0-DBU	7430749-01		SHIELD,EMI FRONT	1	1
12	12	D-MD-7430750-0-DBU	7430750-01		SHIELD,SAFETY,POWER SUPPLY	1	1
13	13	D-IA-7430059-0-DBU	7430059-01		BRACKET,MOUNTING,POWER SUPPLY	1	1
14	14	A-PS-1700734-0-0	1700734-01		CABLE ASSY,JUMPER 8AWG 1'	2	2
15	15	A-PS-1700734-0-0	1700734-02		CABLE ASSY,JUMPER 8AWG 1'	2	2
16	16	A-PS-1700728-0-0	1700728-02		CABLE ASSY DC PWR 12POS MTA 17"	1	1
17	17	A-PS-1700726-0-0	1700726-03		CABLE ASSY PWR SUPPLY SIGNAL 20P	1	1
18	18	A-PS-1700769-0-0	1700769-01		CABLE ASSY,20POS 22" LG	1	1
19	19	A-PS-1700752-0-0	1700752-01		HARNESS,M+D,FAN HARNESS	1	1
20	20	A-PS-1700724-0-0	1700724-02		CABLE ASSY 20POS POINT/POINT FRO	1	1
21	21	A-PS-1700724-0-0	1700724-03		CABLE ASSY 20POS POINT/POINT FRO	1	1
22	22	A-PS-1700753-0-0	1700753-01		CABLE ASSY,POWER BUS	1	1
23	23	D-IA-7021836-0-DBU	7021836-01		A.C. ASSY	1	1
24	24		1222271-02		FAN,TUBE AXIAL 4.5" 10V	3	3
25	25	B-DD-M7677-0-0	M7677-00		MONITORS FAN,BLOWER,I/O DISTRIBUTU	1	-
26	26		1217838-02		FILTER,LINE 115/250V,47-63HZ,6A	1	1
27	27		3612680-00		LABEL,GROUND SYMBOL BLACK	1	1
28	28		3612680-02		LABEL,GROUND SYMBOL W/CIRCLE BLA	1	1
29	29		3610267-00		LABEL,DANGER HIGH VOLTAGE,SMOOTH	2	2
30	30		3610267-02		LABEL,DANGER HIGH VOLTAGE,SMOOTH	2	2

REVISION HISTORY			BASIC PART NO: 7022012									
ENG!	ECO NUMBER	REV	SECTION A OF A	DRN:	S. STEFANICK	DATE: 12-OCT-84	D I G I T A L					
---	INITIAL	A	SECTION VARIATION INDEX	CHK'D:	E.C.BLANCHETTE	DATE: 17-DEC-84	TITLE PARTS LIST					
PM	7022012-TW001	B	(A)01,02				11/84 BOX ASSEMBLY					
			(B)	DES.ENG:	P.MATTHEW	DATE: 12-OCT-84	DOCUMENT NUMBER					
			(C)				SIZE	CODE	NUMBER	REV		
			(D)	RESP.ENG.:	P. MATTHEW	DATE: 12-OCT-84	K	PL	7022012-0-DBP	B		
			(E)	MFG.ENG.:	W. HALL	DATE: 12-OCT-84	RELEASE DATE: 14-AUG-85					
			(F)	ASSEMBLY NUMBER:	D-AD-7022012-0-DBU	TOP DOCUMENT NUMBER:	D-AD-7022012-0-DBU		FILE NAME:	ML115B.PLS	EDIT #	3

"THIS DRAWING AND THE SPECIFICATIONS CONTAINED HEREIN ARE CONFIDENTIAL AND PROPRIETARY. THEY ARE THE PROPERTY OF DIGITAL EQUIPMENT CORPORATION AND SHALL NOT BE REPRODUCED OR COPIED OR USED IN WHOLE OR IN PART AS THE BASIS FOR THE MANUFACTURE OR SALE OF ITEMS WITHOUT WRITTEN PERMISSION. THIS IS AN UNPUBLISHED WORK PROTECTED UNDER THE FEDERAL COPYRIGHT LAWS."

LINE ITEM	TOP DOCUMENT	PART NUMBER	MIN REV	DESCRIPTION	QTY PER VARIATION	
					01	02
					VARIATION REVISION LEVEL:	
					A2	A1
31	31	3610267-04		LABEL,DANGER HIGH VOLTAGE,SMOOTH	1	1
32	32	3615087-04		LABEL,"DANGER-HIGH CURRENT"	2	2
33	33	3615680-00		LABEL,ADHESIVE BACK,SWITCH POSIT	1	1
34	34	1222380-02		SHIELD,EMI/RFI STRIP,DOUBLE-SIDE	2	2
35	35	1218912-00		CLIP,CABLE 1/2	6	6
36	36	1218912-01		CLIP,CABLE 3/4	2	2
37	37	9009636-00		CLAMP, CABLE, FOR FLAT CABLE	8	8
38	38	M7677-YA		MONITORS FAN,BLOWER,I/O DISTRIBU	-	1
39	39	9006031-01		SCREW,MACH PAN PHIL 6-	6	6
40	40	9000049-12		SCREW,SEMS TRUSS PHIL 8-	2	2
41	41	9009643-02		SCREW,SEMS PAN PHIL 4-	4	4
42	42	9010174-00		SCREW,SEMS PAN PHIL 6-	15	15
43	43	9000049-23		SCREW,SEMS PAN PHIL 6-	6	6
44	44	9009708-01		SCREW,THD RL,PAN PHIL F/METAL	5	5
45	45	9000049-42		SCREW,SEMS PAN PHIL 8-	4	4
46	46	9000049-27		SCREW,SEMS PAN PHIL 8-	4	4
47	47	9006565-00		NUT,HEX EXT TOOTH LCKWSHR 10-32	6	6
48	48	9006037-01		SCREW,MACH PAN PHIL 8-	4	4
49	49	9008451-01		SCREW LOCK,STANDOFF ONLY .060TH	2	2
50	50	9008301-01		SCREW,MACH PAN PHIL 4-	4	4

D I G I T A L	TITLE	SECTION A OF A	SIZE	CODE	DOCUMENT NUMBER	REV
	11/84 BOX ASSEMBLY		K	PL	7022012-0-DBP	B

"THIS DRAWING AND SPECIFICATIONS, HEREIN, ARE THE PROPERTY OF DIGITAL EQUIPMENT CORPORATION AND SHALL NOT BE REPRODUCED OR COPIED OR USED IN WHOLE OR IN PART AS THE BASIS FOR THE MANUFACTURE OR SALE OF ITEMS WITHOUT WRITTEN PERMISSION. COPYRIGHT © 1982 DIGITAL EQUIPMENT CORPORATION"

DAD 7022012-0-DBU B

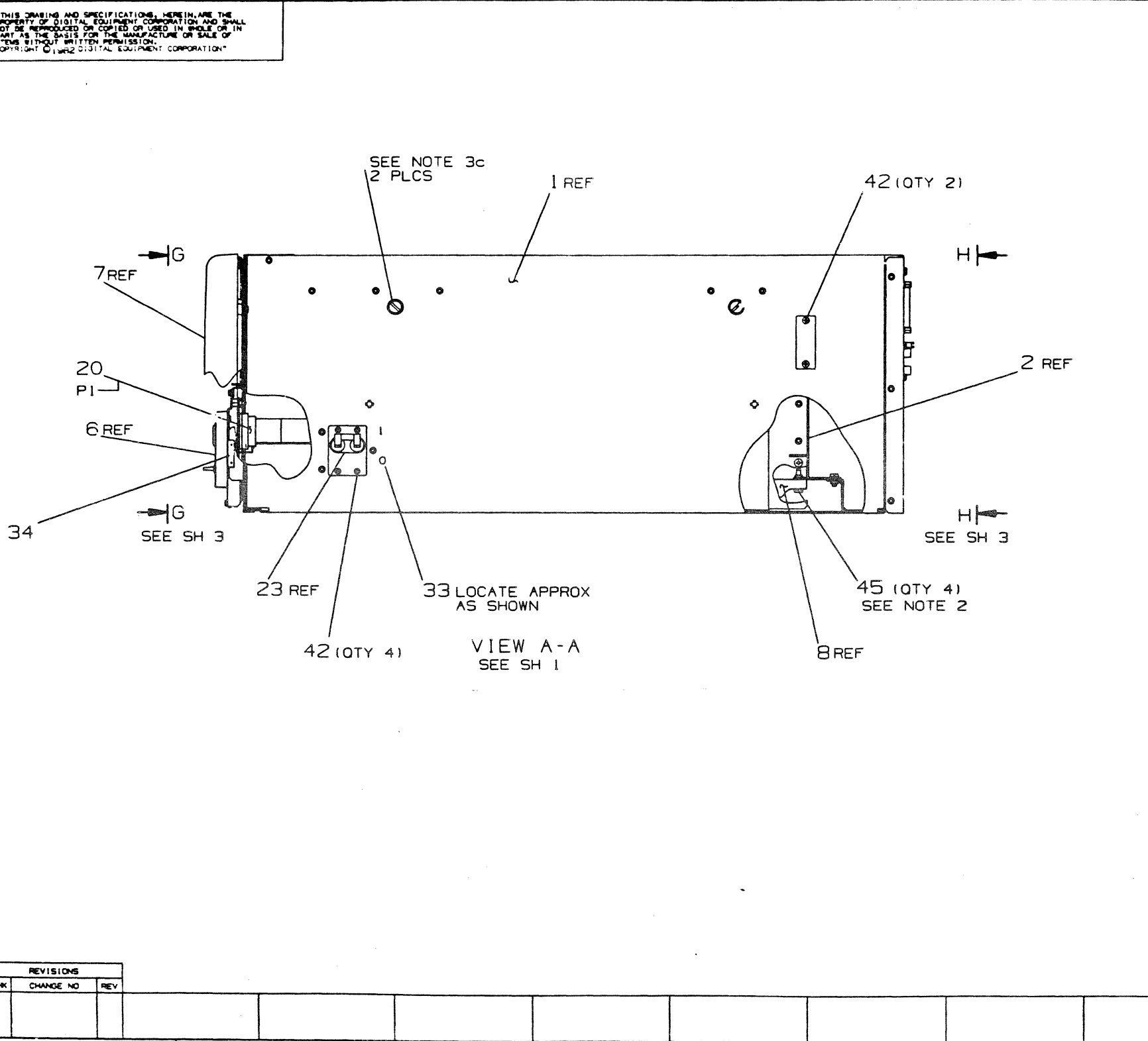
C

B

A

8 7 6 5 4 3 2 1

8 7 6 5 4 3 2 1



CABLE LEGEND				
ITEM NO.	FROM		TO	
	CONN	WITH	CONN	WITH
14	ITEM 10	ITEM 3	J17	ITEM 8
15	ITEM 10	ITEM 3	J16	ITEM 8
16	J15	ITEM 8	J3	ITEM 3
17	J13	ITEM 8	J4	ITEM 25
18	ITEM 4		J3	ITEM 25
			NEXT HIGHER ASSY	
19	ITEM 4	ITEM 1	J4	ITEM 25
	ITEM 5		J2	ITEM 3
20	J1	ITEM 25	J1	ITEM 6
21	J2	ITEM 25	NEXT HIGHER ASSY	
22	ITEM 2	ITEM 1	J14	ITEM 8
23	ITEM 9	ITEM 1	ITEM 26	
			J1	ITEM 3
			ITEM 9	

DAD 7022012-0-DBU B

B

A

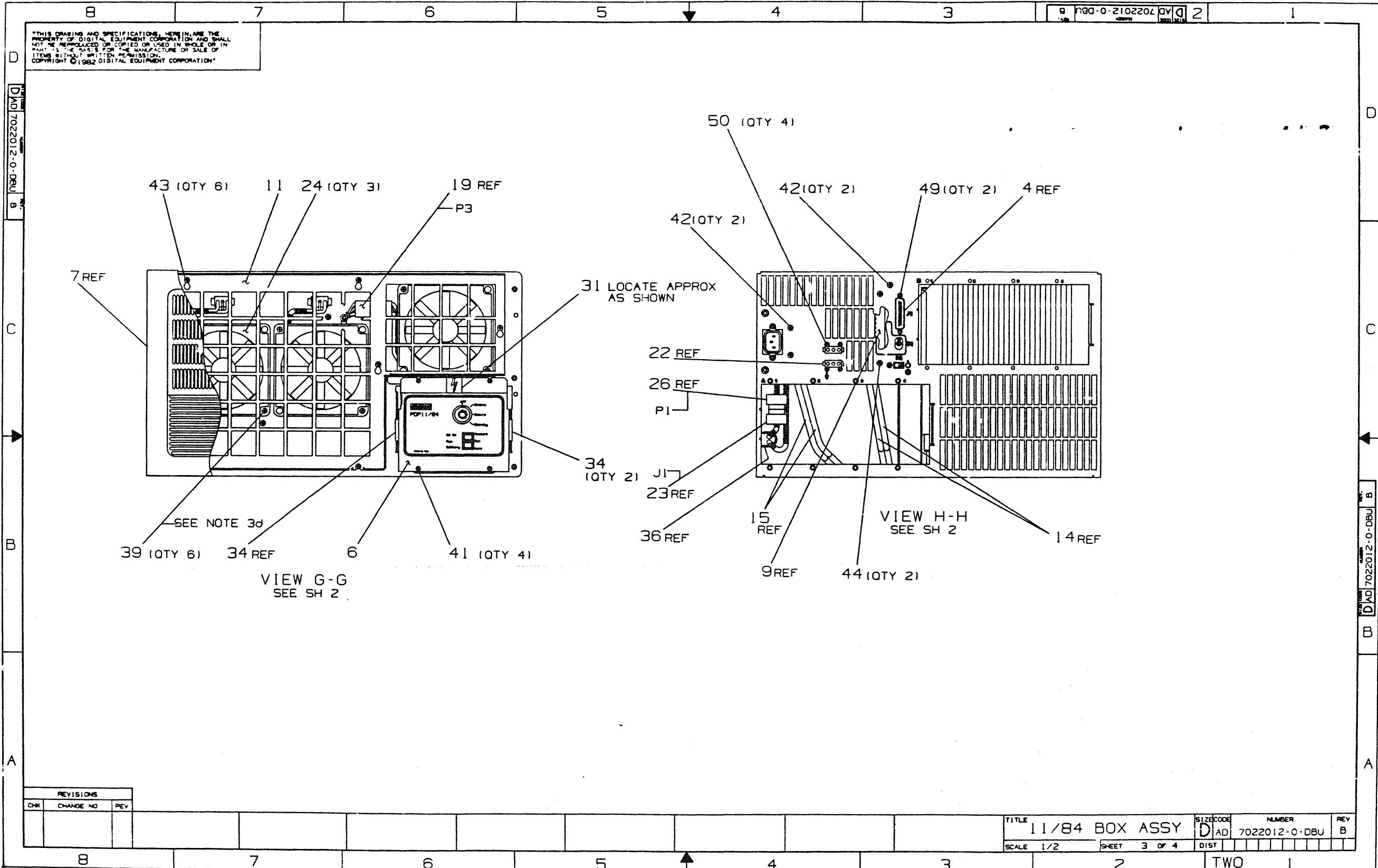
REVISIONS		
CHK	CHANGE NO	REV

TITLE 1 1/8 BOX ASSY SIZE CODE D AD NUMBER 7022012-0-DBU REV B
SCALE 1/2 SHEET 2 OF 4 DIST

TWO 1

THIS DRAWING AND SPECIFICATIONS HEREIN ARE THE PROPERTY OF DIGITAL EQUIPMENT CORPORATION AND SHALL NOT BE REPRODUCED OR COPIED OR USED IN WHOLE OR IN PART AS THE BASIS FOR THE MANUFACTURE OR SALE OF ITEMS WITHOUT WRITTEN PERMISSION.
 COPYRIGHT © 1982 DIGITAL EQUIPMENT CORPORATION

DAD 7022012-0-DBU



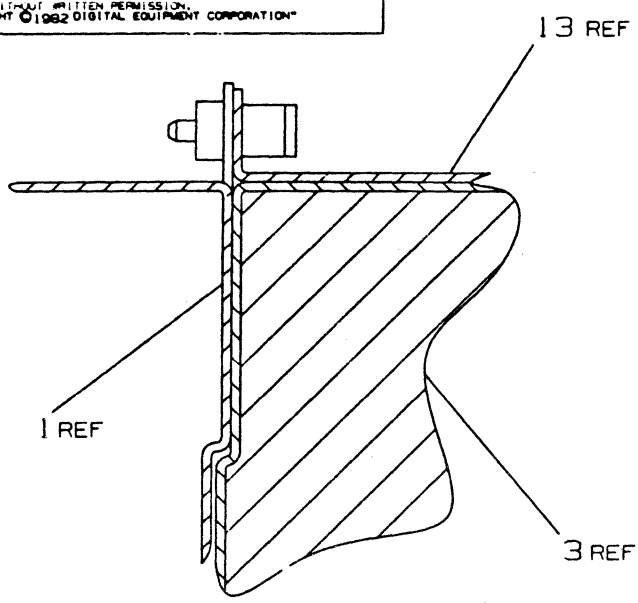
REVISIONS		
CHK	CHANGE NO	REV

TITLE	11/84 BOX ASSY	SIZE CODE	DAD	NUMBER	7022012-0-DBU	REV	B
SCALE	1/2	SHEET	3 OF 4	DIST			

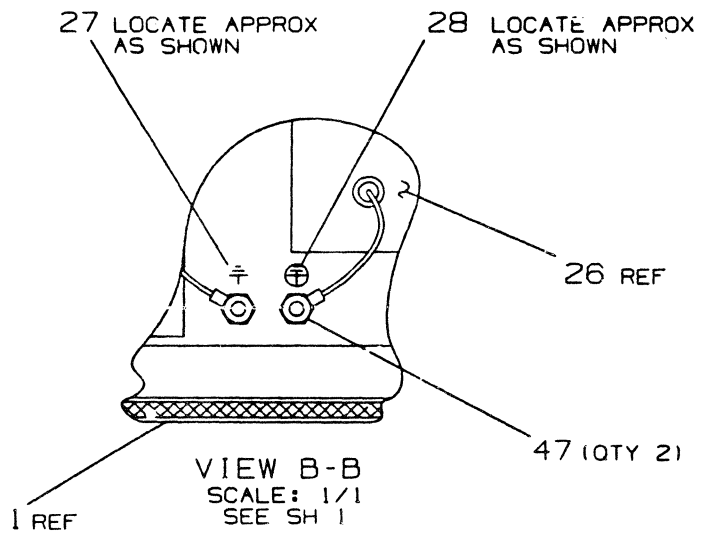
TWO 1

"THIS DRAWING AND SPECIFICATIONS HEREIN ARE THE PROPERTY OF DIGITAL EQUIPMENT CORPORATION AND SHALL NOT BE REPRODUCED OR COPIED OR USED IN WHOLE OR IN PART AS THE BASIS FOR THE MANUFACTURE OR SALE OF ITEMS WITHOUT WRITTEN PERMISSION. COPYRIGHT © 1982 DIGITAL EQUIPMENT CORPORATION"

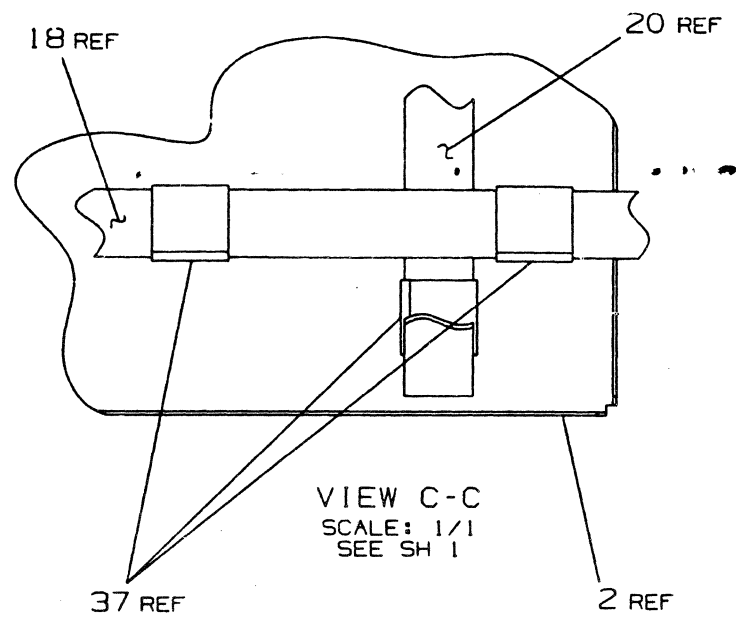
D AD 7022012-0-DBU



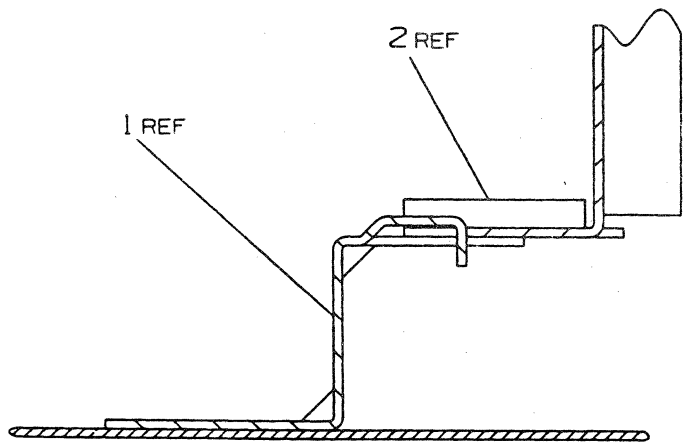
SECTION E-E
SCALE: 2/1
SEE SH 1



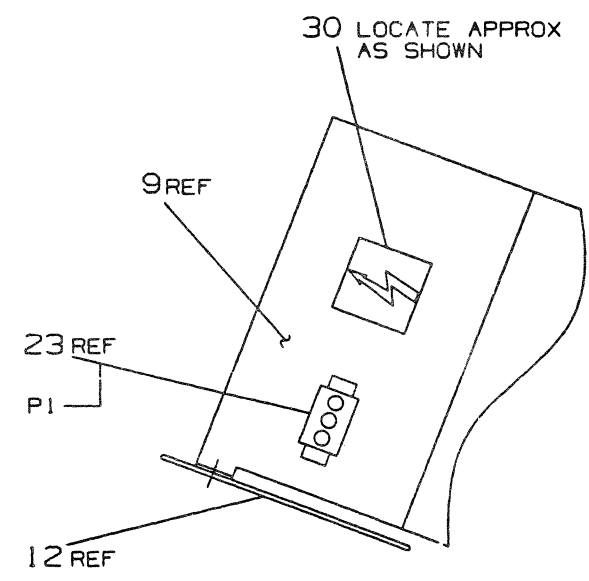
VIEW B-B
SCALE: 1/1
SEE SH 1



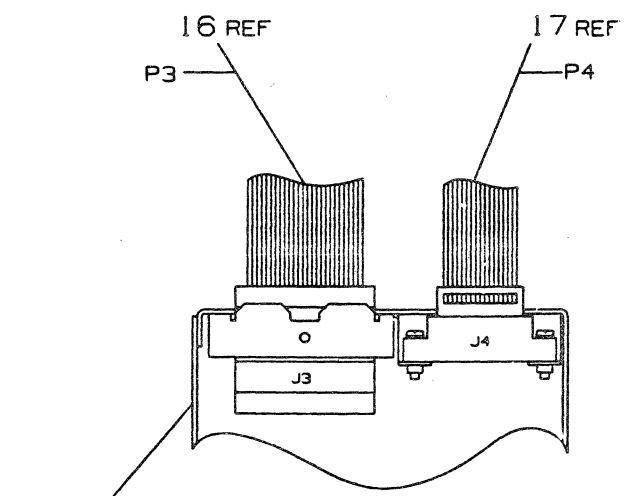
VIEW C-C
SCALE: 1/1
SEE SH 1



SECTION D-D
SCALE: 2/1
SEE SH 1
ITEM #8 NOT SHOWN



VIEW J-J
SCALE: 1/1
SEE SH 1



VIEW F-F
SCALE: 1/1
SEE SH 1

REVISIONS		
CHK	CHANGE NO	REV

TITLE	11/84 BOX ASSY	SIZE CODE	D AD	NUMBER	7022012-0-DBU	REV	B
SCALE	1/2	SHEET	4 OF 4	DIST			

D AD 7022012-0-DBU B

TWO 1

"THIS DRAWING AND SPECIFICATIONS CONTAINED HEREIN ARE CONFIDENTIAL AND PROPRIETARY. THEY ARE THE PROPERTY OF DIGITAL EQUIPMENT CORPORATION AND SHALL NOT BE REPRODUCED OR COPIED OR USED IN WHOLE OR IN PART AS THE BASIS FOR THE MANUFACTURE OR SALE OF ITEMS WITHOUT WRITTEN PERMISSION. THIS IS AN UNPUBLISHED WORK PROTECTED UNDER THE FEDERAL COPYRIGHT LAWS. 1985

NOTES:

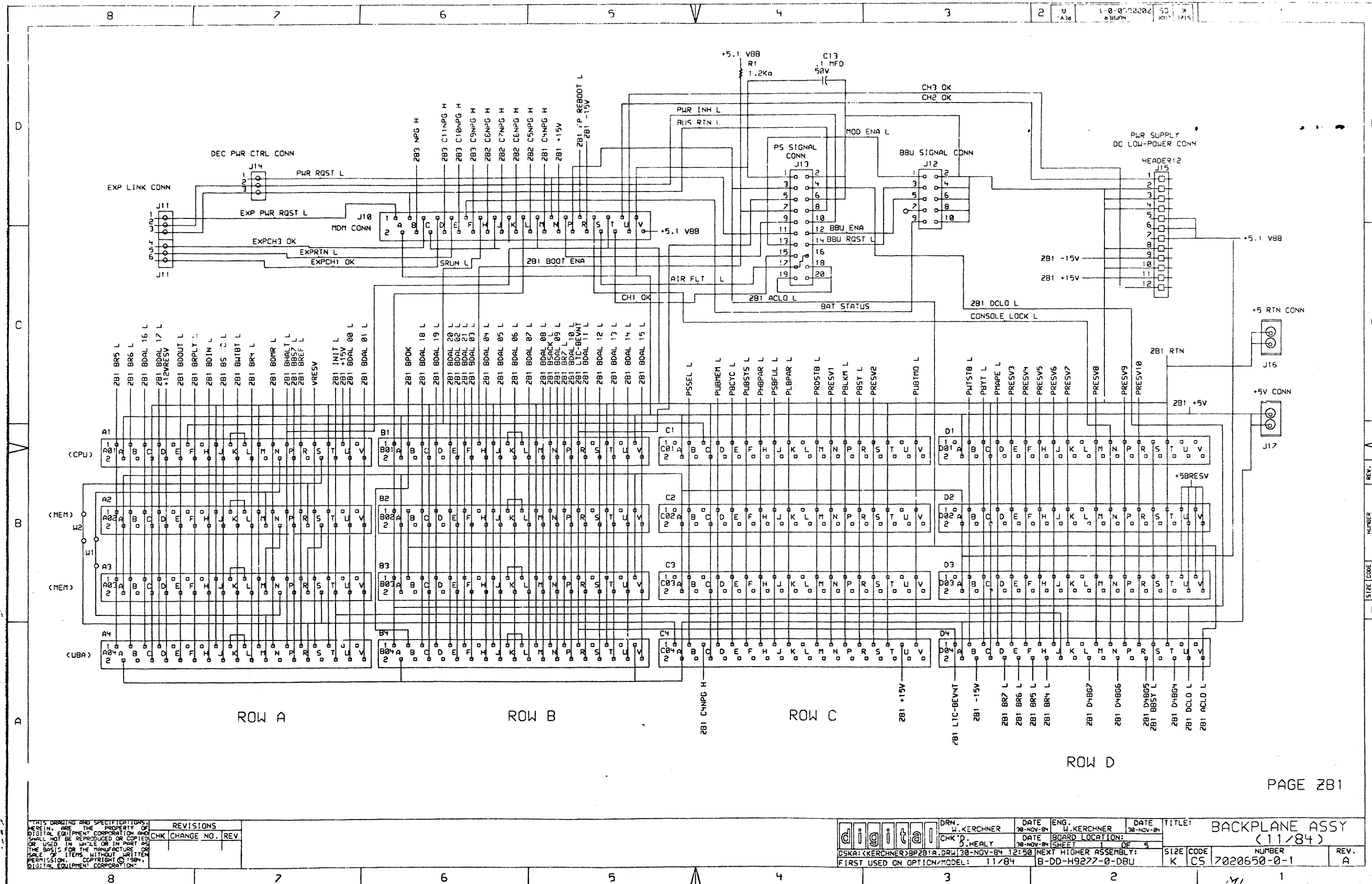
1. NPG SELECTION IS DONE VIA SWITCH PACK (S1) MOUNTED ON M7677. (MDM): IF M7677 IS NOT USED, NPG CAN BE WIRE WRAPPED ON REAR OF BACKPLANE
2. SLOTS 9, 10 & 11 ARE ROW A & B MUD COMPATIBLE.
3. SLOT 12 ROWS A & B ARE STANDARD UNIBUS (FOR TERMINATORS AND UNIBUS I/O CABLE).

		ROW					
		A	B	C	D	E	F
SLOT	MDM	M7677(1)					
	1	KDJ11-B CPU					
	2	MSV11-J/R MEMORY					
	3	MSV11-J/R MEMORY (OPTIONAL)					
	4	KTJ11-B UNIBUS ADAPTOR					
	5	SPC OPTION; QUAD OR HEX					
	6	SPC OPTION; QUAD OR HEX					
	7	SPC OPTION; QUAD OR HEX					
	8	SPC OPTION; QUAD OR HEX					
	9	MUD/SPC OPTION; QUAD OR HEX (2)					
	10	MUD/SPC OPTION; QUAD OR HEX (2)					
	11	MUD/SPC OPTION; QUAD OR HEX (2)					
12	UNIBUS (3)	QUAD SPC OPTION					

LAYER #2: FORMAT LAYER
 LAYER #1: WORK LAYER
 PLOT SCALE: 1.000
 SYSTEM #: 20
 PROGRAM VERSION: UGRAF D4.1
 FILE NAME: MU-H9277-A-DBUA

REV.	INITIAL
1	A

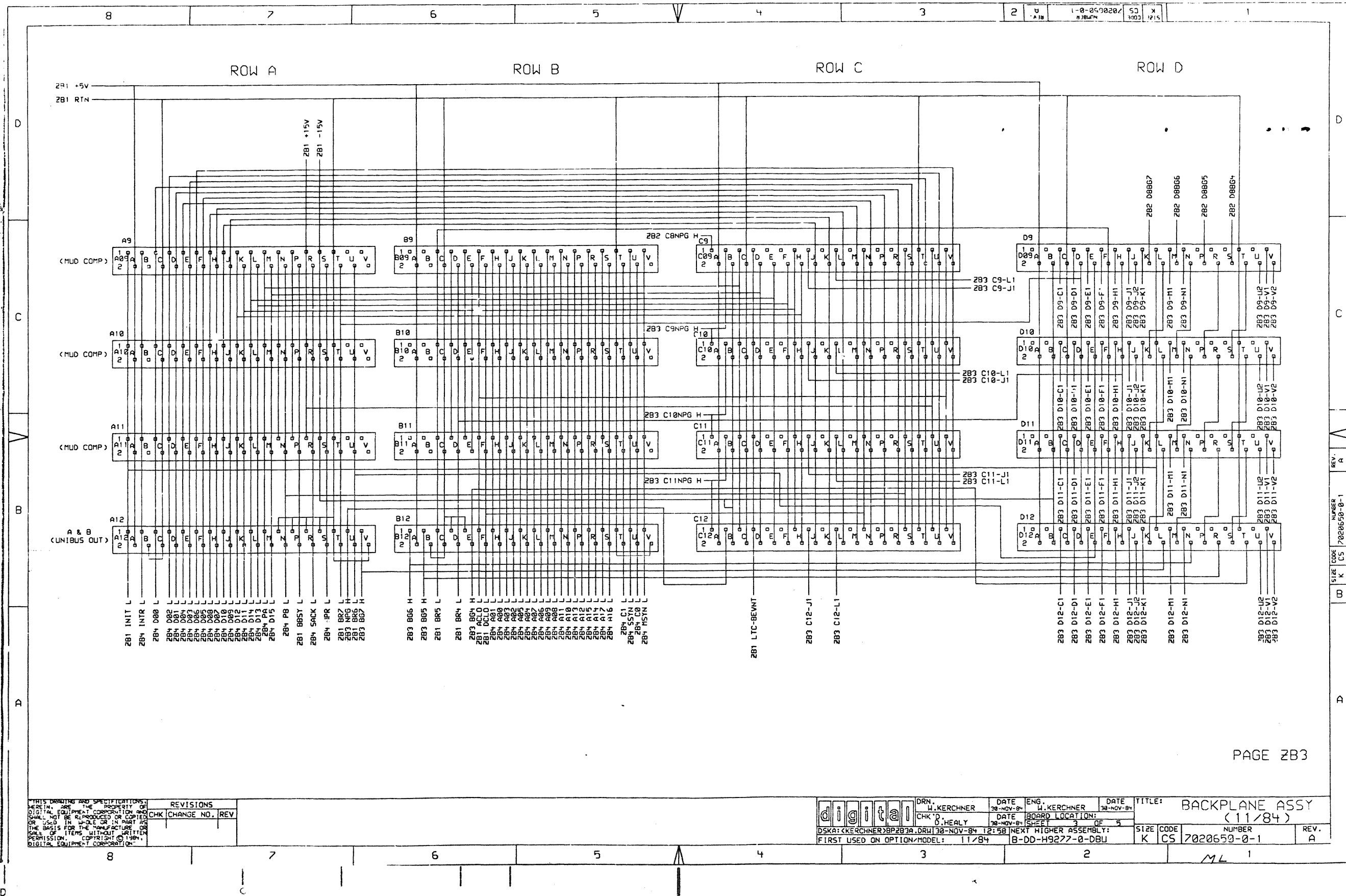
DESCRIPTION	DRAWING NO.	PART NO.	ITEM NO.
UNLESS OTHERWISE SPECIFIED DIMENSIONS ARE IN INCHES AND THE FOLLOWING TOLERANCES APPLY (PER DEC STD 114)			
INCHES TOLERANCES	DIMENSION RANGE IN INCHES		
	APPLICABLE DIMENSION RANGE	OVER 0 TO 0.2	OVER 0.2 TO 1.0
ANGLES 90°-30°	SURFACE QUALITY		
QUANTITY & VARIATION	MICROINCHES		
THIRD ANGLE PROJECTION	DATE	TITLE	
DO NOT SCALE DRAWING	T. COTE 19 DEC 84	H9277-A	
REMOVE BURRS AND BREAK SHARP CORNERS	D. HEALY 15 MAY 85	MODULE UTILIZATION	
MATERIAL	DES. ENG. W. KERCHNER 15 MAY 85	DOCUMENT NUMBER	
FINISH	RESP. ENG. W. KERCHNER 15 MAY 85	SIZE CODE NUMBER	
	MFG. ENG. D. DUHAIME 15 MAY 85	B MU H9277-A-DBU	
	TOP OCC. B-DD-H9277-0-DBU	SCALE 1/1 SHEET 1 OF 1	



THIS DRAWING AND SPECIFICATIONS ARE THE PROPERTY OF DIGITAL EQUIPMENT CORPORATION AND SHALL NOT BE REPRODUCED OR COPIED OR USED IN WHOLE OR IN PART AS THE BASIS FOR THE MANUFACTURE OR SALE OF ITEMS WITHOUT WRITTEN PERMISSION. COPYRIGHT © 1984 DIGITAL EQUIPMENT CORPORATION.

REVISIONS		
CHK	CHANGE NO.	REV

	DRN. W. KERCHNER	DATE 28-NOV-84	ENG. W. KERCHNER	DATE 28-NOV-84	TITLE: BACKPLANE ASSY (11/84)
	CHK D. HEALY	DATE 30-NOV-84	BOARD LOCATION: SHEET 1 OF 5	NEXT HIGHER ASSEMBLY: B-DD-H9277-0-DBU	SIZE CODE K CS
CSKA: (KERCHNER)BP2B1A.DRW 30-NOV-84 12:50 FIRST USED ON OPTION MODEL: 11/84					NUMBER 7020650-0-1 REV. A

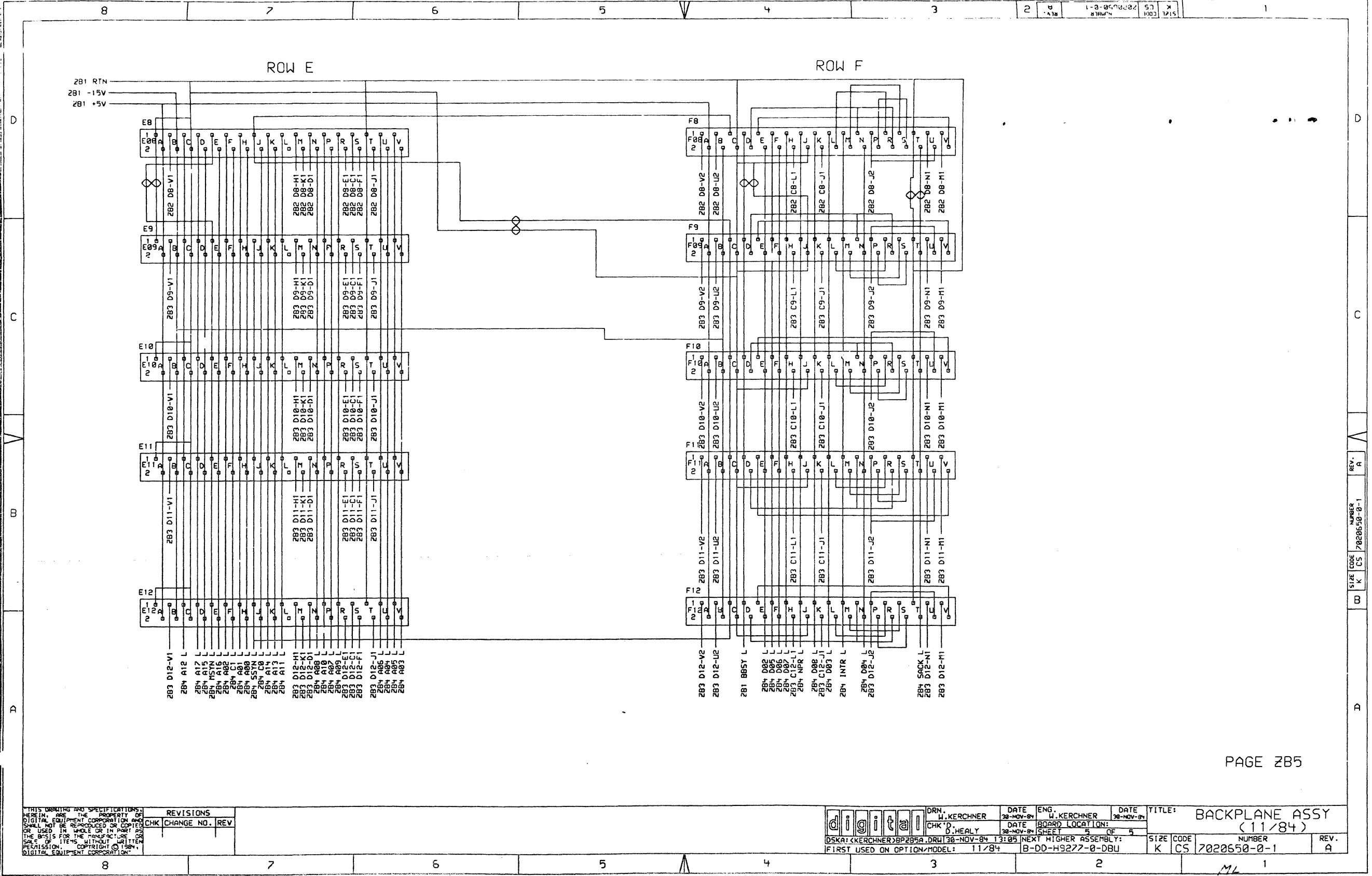


THIS DRAWING AND SPECIFICATIONS, HEREIN, ARE THE PROPERTY OF DIGITAL EQUIPMENT CORPORATION AND SHALL NOT BE REPRODUCED OR COPIED OR USED IN WHOLE OR IN PART AS THE BASIS FOR THE MANUFACTURE OR SALE OF ITEMS WITHOUT WRITTEN PERMISSION. COPYRIGHT © 1984, DIGITAL EQUIPMENT CORPORATION.

REVISIONS		
CHK	CHANGE NO.	REV

DRN. W. KERCHNER	DATE 28-NOV-84	ENG. W. KERCHNER	DATE 28-NOV-84	TITLE: BACKPLANE ASSY (11/84)
CHK'D. O. HEALY	DATE 28-NOV-84	BOARD LOCATION: 3 OF 5	SIZE CODE K CS	NUMBER 7020650-0-1
DSKA: (KERCHNER)BPZB3A.DRW 38-NOV-84 12:58		NEXT HIGHER ASSEMBLY: B-DD-H9227-0-DBU		REV. A
FIRST USED ON OPTION/MODEL: 11/84				

8	7	6	5	4	3	2	1
---	---	---	---	---	---	---	---



PAGE ZB5

THIS DRAWING AND SPECIFICATIONS
HEREIN, ARE THE PROPERTY OF
DIGITAL EQUIPMENT CORPORATION AND
SHALL NOT BE REPRODUCED OR COPIED
OR USED IN WHOLE OR IN PART AS
THE BASIS FOR THE MANUFACTURE OR
SALES OF ITEMS, WITHOUT WRITTEN
PERMISSION. COPYRIGHT © 1984,
DIGITAL EQUIPMENT CORPORATION.

REVISIONS		
CHK	CHANGE NO.	REV

	DRN. W. KERCHNER	DATE 28-NOV-84	ENG. W. KERCHNER	DATE 28-NOV-84	TITLE: BACKPLANE ASSY
	CHK'D. D. HEALY	DATE 30-NOV-84 13:05	DATE BOARD LOCATION:	SHEET 5 OF 5	(11/84)
OSKA: (KERCHNER)BP285A.DRW			NEXT HIGHER ASSEMBLY: B-DD-H9277-0-DBU		SIZE CODE NUMBER REV.
FIRST USED ON OPTION/MODEL: 11/84			B-DD-H9277-0-DBU		K CS 70220550-0-1 A

SIZE CODE NUMBER REV.
K CS 70220550-0-1 A

DRAWING NO.	NO. OF SHTS.	PART NO.	DESCRIPTION	REVISIONS															
				A1	B1	C1	D1												
		M7677-00	MONITOR AND DIST. MODULE																
D-UA-M7677-0-0	2		MONITOR AND DIST. MODULE UNIT ASSY	A	B	C	D												
D-CS-M7677-0-1	1		MONITOR AND DIST. MODULE SCHEMATIC	A	B	C	D												
K-PL-M7677-0-DBP	2		MONITOR AND DIST. MODULE PART LIST	A	B	C	D												
K-PC-M7677-0-DBJ			P.C.DESIGN DATA BASE	C	C	C	C												
		5016467-01	ETCHED CIRCUIT BOARD	C1	C1	C1	C1												
B-DD-5016467-0-0	1		DRAWING DIRECTORY	A	A	B	B												

NOTES:

REVISION HISTORY		REV.	A	B	C	D
DATE	ECO NO.					
8/84			INIT			
11/84			MLOO1			
4-85			TW002			
5-85			TW003			

THIS DRAWING AND THE SPECIFICATIONS CONTAINED HEREIN ARE CONFIDENTIAL AND PROPRIETARY. THEY ARE THE PROPERTY OF DIGITAL EQUIPMENT CORPORATION AND SHALL NOT BE REPRODUCED OR COPIED OR USED IN WHOLE OR IN PART AS THE BASIS FOR THE MANUFACTURE OR SALE OF ITEMS WITHOUT WRITTEN PERMISSION. THIS IS AN UNPUBLISHED WORK PROTECTED UNDER THE FEDERAL COPYRIGHT LAWS.



1984

DRN. R. RHOADES	DATE 8/3/84	TITLE	
CHK'D D. DROZD	DATE 8/3/84	MONITOR AND DIST. MODULE	
DES. ENG. W. KERCHNER	DATE 8/3/84	DOCUMENT NUMBER	
RESP. ENG. W. KERCHNER	DATE 8/3/84	SIZE B	CODE DD
MFG. ENG. W. BILOSZ	DATE 8/3/84	NUMBER M7677-0-0	REV. D
		SHEET 1 OF 1	

TW

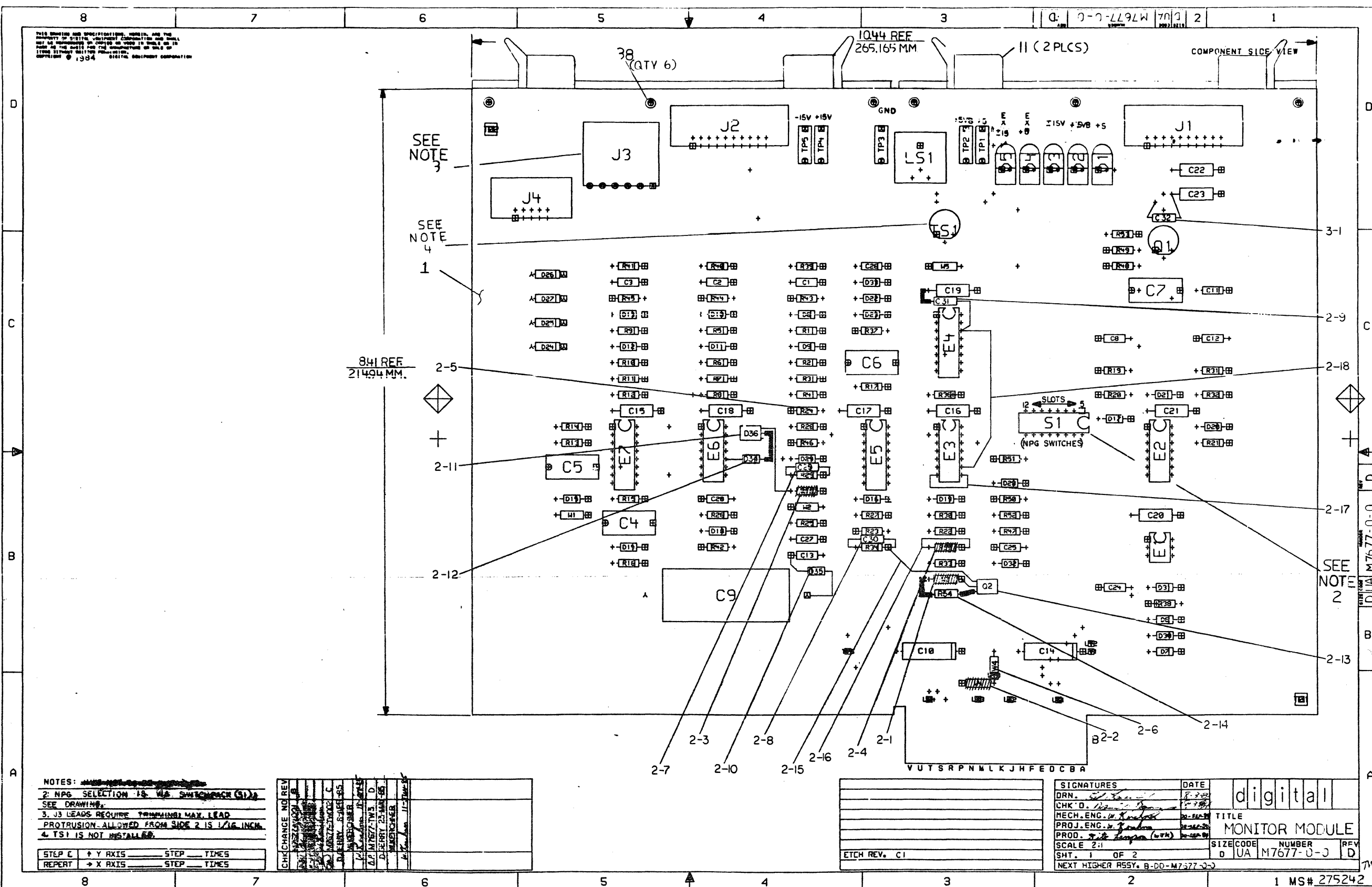
LINE	ITEM	TOP DOCUMENT	PART NUMBER	MIN REV	DESCRIPTION	QTY	PER VARIATION	REFERENCE DESIGNATOR
					VARIATION REVISION LEVEL:	00		
						D1		
1	1	D-MD-5016467-0-0	5016467-01		CIRCUIT DRILL AND ETCH	1		
2	2		1009324-00	4	MFD 50V 10% MET. MYLR	1		C9
3	3		1013466-11		.22 MFD 50V +80-20% Z5U CER	9		C15-C23
4	4		1013466-16		.010 MFD 50V 10% X7R CER	14		C1-C3,C8,C12,C13,C24,C25,C27,
							CONT	C28-C32
5	5		1015520-00	1	MFD 100V 5% MET. MYLR	4		C4-C7
6	6		1015573-00	.027	MFD 50V 5% CER	2		C11,C26
7	7		1017472-00	10	MFD 35V +75-10% AL EL	2		C10,C14
8	8		1100114-00		PIV= 25 IO=135 MA	26		D6-D23,D28-D35
9	9		1105796-00		PIV= 400 IO= 1.00A 1N4004 DO-41	4		D24-D27
10	10		1117373-00		LED ASSY GREEN	5		D1-D5
11	11		1213543-01		HANDLE,UNIBUS MODULE,MAGENTA	2		
12	12		1213974-01		JACK 2LINE YELLOW	1		TP2
13	13		1213974-04		JACK 2LINE GREY	1		TP4
14	14		1213974-06		JACK 2LINE RED	1		TP1
15	15		1213974-07		JACK 2LINE BLACK	1		TP3
16	16		1213974-09		JACK 2LINE BLUE	1		TP5
17	17		1215307-03		PCB,HEADER 06POS(1X06) .156CC 90D	1		J3
18	18		1217310-05		SW,DIP 8POS/1PST 5VDC100MA S	1		S1
19	19		1217477-00		TRANSDUCER,MINIATURE AUDIO,1.5V	1		LS1
20	20		1219039-00		PCB,HEADER 10PIN .100CC 90D	1		J4
21	21		1219039-01		PCB,HEADER 20PIN .100CC 90D	2		J1,J2
22	22		1221371-02		*** THIS ITEM IS NOT USED ***	-		
23	23		1300229-00	100.0	.25 W 5.0 % CF	3		R37,R38,R53
24	24		1300271-00	220.0	.25 W 5.0 % CF	1		R23
25	25		1302466-00	100.0	K .25 W 5.0 % CF	6		R2,R6,R10,R42,R50,R51
26	26		1303177-00	2.40	K .25 W 5.0 % CF	13		R4,R8,R12,R21,R22,R28,R30,
							CONT	R43-R45,R47-R49
27	27		1303312-00	10.0	K .25 W 1.0 % RN55D-F10	10		R1,R5,R9,R25,R27,R31-R34,R46
28	28		1305422-00	137.0	K .25 W 1.0 % RN55D-F10	10		R3,R7,R11,R15-R17,R20,R39-R41

REVISION HISTORY			BASIC PART NO: M7677			DRN: E. LANDRY			DATE: 20-SEP-84			D I G I T A L		
ENG	ECO NUMBER	REV	SECTION A OF A			CHK'D: D. DROZD			DATE: 20-SEP-84			TITLE PARTS LIST		
INITIAL			SECTION VARIATION INDEX			DES. ENG: W. KERCHNER			DATE: 23-NOV-83			DOCUMENT NUMBER		
JP	M7677-ML001	B	[A]	00										
WK	M7677-TW002	C	[B]											
WK	M7677-TW003	D	[C]											
			[D]											
			[E]											
			[F]											
			[H]											
			[J]											
			[K]											
			[L]											
			[M]											
			[N]											
			ASSEMBLY NUMBER:			TOP DOCUMENT NUMBER:			FILE NAME:			EDIT #		
			D-UA-M7677-0-0-0			B-DD-M7677-0-0-0			Z8370D.PLS			17		

"THIS DRAWING AND THE SPECIFICATIONS CONTAINED HEREIN ARE CONFIDENTIAL AND PROPRIETARY. THEY ARE THE PROPERTY OF DIGITAL EQUIPMENT CORPORATION AND SHALL NOT BE REPRODUCED OR COPIED OR USED IN WHOLE OR IN PART AS THE BASIS FOR THE MANUFACTURE OR SALE OF ITEMS WITHOUT WRITTEN PERMISSION. THIS IS AN UNPUBLISHED WORK PROTECTED UNDER THE FEDERAL COPYRIGHT LAWS."

LINE	ITEM	TOP DOCUMENT	PART NUMBER	MIN REV	DESCRIPTION	QTY PER VARIATION	REFERENCE DESIGNATOR
					VARIATION REVISION LEVEL:	00 D1	
29	29		1309419-00		19.60 K .25 W 1.0 % RN55D-F10	5	R19,R29,R36,R52,R13
30	30		1313752-00		15.0 K .25 W 1.0 % RN55D-F10	1	R14
31	31		1320017-01		1.62 M .25 W 1.0 % RN55D-F10	1	R26
32	32		1503409-01		DEC6534B PNP 310MW SI 40 90 P	1	Q1
33	33		1912108-B0		339 BURNED-IN VOLT CMPRT	2	E3,E6
34	34		1912837-B0		LS123 BURNED-IN ONE SHOT D	2	E5,E7
35	35		1913009-00		4N36 OPTO COUPLED ISLTR	1	E1
36	36		1914392-00		556 TIMER-DUAL	1	E2
37	37		2114462-00		4040B COUNTER/DIVIDER,BINA	1	E4
38	38		9000024-01		EYELET,ROLLED 0.1210DX0.192	6	
39	39		9007254-00		*** THIS ITEM IS NOT USED ***	-	
40	40		9009185-00		JUMPER, WIRE, INSULATED, BLACK B	4	W1,W2,W4,W5
41	41		1919006-00		LM 336A VOLT REF. 2.49V 1%	1	D36
42	42		1509338-00		DEC6531B NPN 310MW SI 40 90 P	1	Q2
43	43		1300202-00		47.0 .25 W 5.0 % CF	1	R54
44	44		1303114-00		1.0 K .25 W 1.0 % RN55D-F10	1	R24
45	45		9105740-55		WIRE(WRAP) 30AWG KYNAR UL14	A/R	
46	46		9107256-09		TUBING,TEFLON .027ID	A/R	

D	I	G	I	T	A	L	TITLE	MONITOR AND DIST. MODULE	SECTION A OF A	SIZE	CODE	DOCUMENT NUMBER	REV
										K	PL	M7677-0-DBP	D



THIS DRAWING AND SPECIFICATIONS, HEREIN, ARE THE PROPERTY OF DIGITAL EQUIPMENT CORPORATION AND SHALL NOT BE REPRODUCED OR COPIED IN WHOLE OR IN PART, OR THE CONTENTS THEREOF, WITHOUT THE WRITTEN PERMISSION OF DIGITAL EQUIPMENT CORPORATION.
COPYRIGHT © 1964

SEE NOTE 3

SEE NOTE 4

841 REF
214.94 MM.

SEE NOTE 2

NOTES:
2. NPG SELECTION IS VIA SWITCHPACK (S1).
SEE DRAWING.
3. J3 LEADS REQUIRE TRIMMING; MAX. LEAD PROTRUSION ALLOWED FROM SIDE 2 IS 1/16 INCH.
4. TS1 IS NOT INSTALLED.

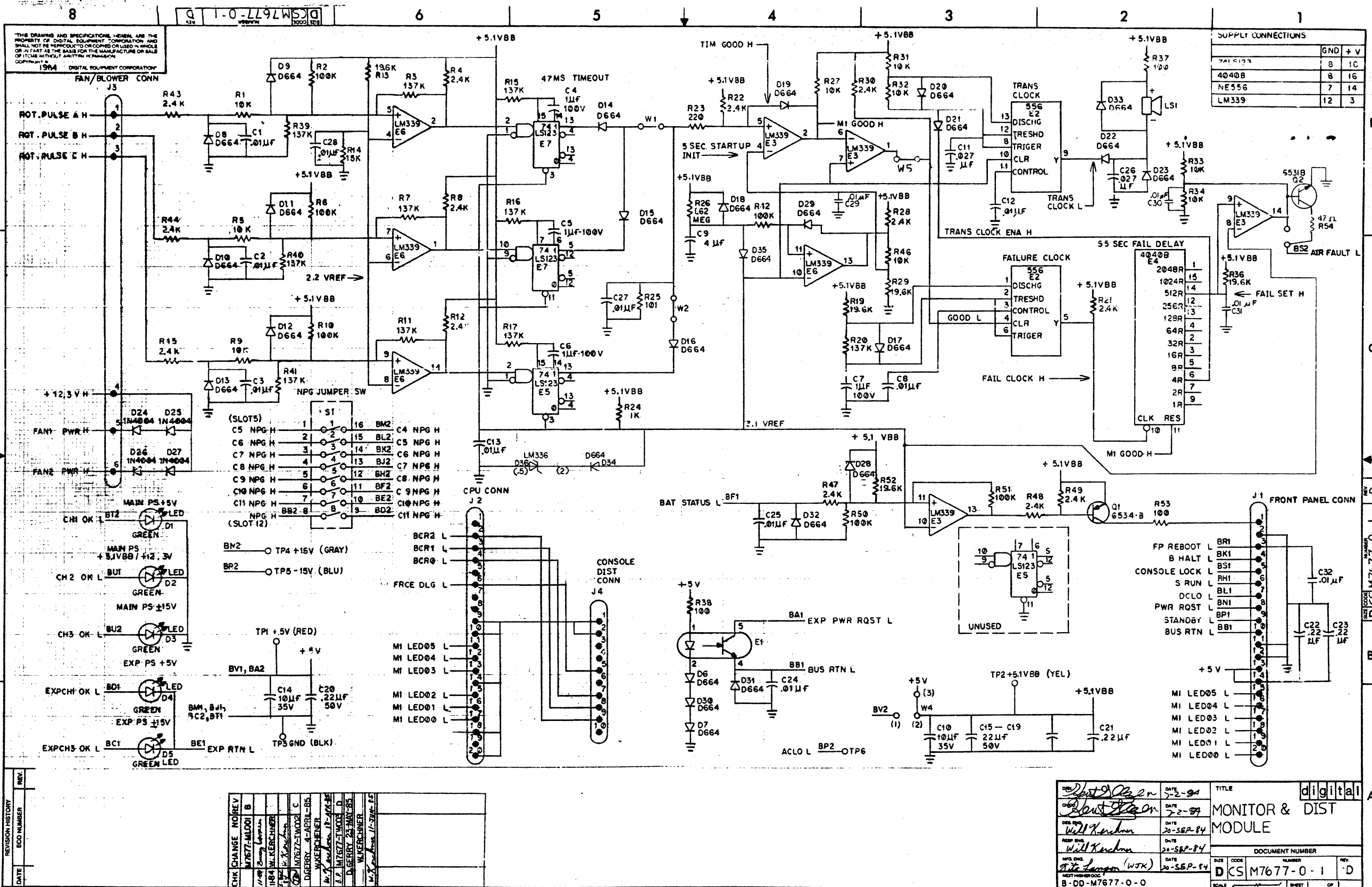
STEP	E	Y AXIS	STEP	TIMES
REPEAT	X AXIS	STEP	TIMES	

CHK	CHANGE NO	REV	DATE	BY	APP

ETCH REV. C1

SIGNATURES	DATE	digital
DRN. <i>[Signature]</i>	8-3-64	
CHK'D. <i>[Signature]</i>	8-3-64	TITLE
MECH. ENG. <i>[Signature]</i>	8-3-64	MONITOR MODULE
PROJ. ENG. <i>[Signature]</i>	8-3-64	SIZE CODE NUMBER REV
PROD. <i>[Signature]</i>	8-3-64	D UA M7677-0-0 D
SCALE 2:1		
SHT. 1 OF 2		
NEXT HIGHER ASSY: B-DD-M7677-0-0		

1 MS# 275242



THIS DRAWING AND SPECIFICATIONS HEREIN ARE THE PROPERTY OF DIGITAL EQUIPMENT CORPORATION AND SHALL NOT BE REPRODUCED OR COPIED OR USED IN WHOLE OR IN PART AS THE BASIS FOR THE MANUFACTURE OR SALE OF ITEMS WITHOUT WRITTEN PERMISSION. COPYRIGHT © 1984 DIGITAL EQUIPMENT CORPORATION.

SUPPLY CONNECTIONS	
GND	+V
7A1 C123	8 1C
4040B	8 16
NE555	7 14
LM339	12 3

(SLOTS)	
C5 NPG H	1
C6 NPG H	2
C7 NPG H	3
C8 NPG H	4
C9 NPG H	5
C10 NPG H	6
C11 NPG H	7
NPG H	8
(SLOT 2)	
BM2	16
BL2	15
BK2	14
BH2	13
BF2	12
BE2	11
BD2	10
BC2	9
BA2	8

BN2	TP4 +15V (GRAY)
BR2	TP5 -15V (BLU)

MI LED05 L	
MI LED04 L	
MI LED03 L	
MI LED02 L	
MI LED01 L	
MI LED00 L	

REV	DATE	TITLE
1	7-2-84	MONITOR & DIST MODULE
2	7-2-84	
3	20-SEP-84	
4	20-SEP-84	
5	20-SEP-84	

DESIGNED BY: *Will Keckner*
 CHECKED BY: *Will Keckner*
 DRAWN BY: *Will Keckner*
 DATE: 20-SEP-84
 B-DD-M7677-0-0

SIZE	CODE	NUMBER	REV
D	CS	M7677-0-1	D

REV	DATE	DESCRIPTION
1		
2		
3		
4		
5		

DRAWING NO.	NO OF SHTS.	PART NO.	DESCRIPTION	REVISIONS															
				A1	B1														
		M7458-00	MSV11-R PARITY MEMORY	A	B														
D-UA-M7458-0-0	2		MSV11-R PARITY MEMORY	A	A														
K-CS-M7458-0-DBS	-		SCHEMATIC DATABASE (SUDS)	A	B														
K-PL-M7458-AA-DBP	2		PARTS LIST DATA	A	B														
K-CS-M7458-00-PM01	1		PARITY MEMORY Q-BUS RECEIVERS	A	A														
K-CS-M7458-00-PM02	1		PARITY MEMORY P-BUS INTERFACE	A	A														
K-CS-M7458-00-PM03	1		PARITY MEMORY REPLY, REFRESH	A	A														
K-CS-M7458-00-PM04	1		PARITY MEMORY CYCLE TIMING	A	A														
K-CS-M7458-00-PM05	1		PARITY MEMORY MEMORY SELECT	A	A														
K-CS-M7458-00-PM06	1		PARITY MEMORY ADD, WRITE PATH	A	A														
K-CS-M7458-00-PM07	1		PARITY MEMORY CSR	A	A														
K-CS-M7458-00-PM08	1		PARITY MEMORY DATA PATH	A	A														
K-CS-M7458-00-PM09	1		PARITY MEMORY ADDRESS MUX	A	A														
K-CS-M7458-00-PM10	1		PARITY MEMORY SEQUENCER	A	B														
K-CS-M7458-00-PM11	1		PARITY MEMORY HI WORD ARRAY	A	A														
K-CS-M7458-00-PM12	1		PARITY MEMORY LO WORD ARRAY	A	A														
		5016029-00	ETCH CIRCUIT BD (See NOTE 2)	C1/D1	C1/D1														
B-DD-5016029-0	1		DRAWING DIRECTORY	A	A														
K-PC-M7458-0-DBC	-		P.C. DESIGN DATA BASE (See Note 3)	A	A														

NOTES:

1. PC DATABASE NOT AVAILABLE, DESIGNED BY VENDOR
2. ETCH REV C1 AND D1 ARE FUNCTIONALLY COMPATIBLE.
3. INSERTION ONLY.

REVISION HISTORY		REV.	
DATE	ECO NO.		
6/84	INIT	A	B
1/85	SH001		

THIS DRAWING AND THE SPECIFICATIONS CONTAINED HEREIN ARE CONFIDENTIAL AND PROPRIETARY. THEY ARE THE PROPERTY OF DIGITAL EQUIPMENT CORPORATION AND SHALL NOT BE REPRODUCED OR COPIED OR USED IN WHOLE OR IN PART AS THE BASIS FOR THE MANUFACTURE OR SALE OF ITEMS WITHOUT WRITTEN PERMISSION. THIS IS AN UNPUBLISHED WORK PROTECTED UNDER THE FEDERAL COPYRIGHT LAWS.



DRN. Mangaudis	DATE 7/12/84	TITLE	
CHK'D C. Livieratos	DATE 7/12/84	MSV11-R PARITY MEMORY	
DES. ENG. L. Chisvin	DATE 7/12/84	DOCUMENT NUMBER	
RESP. ENG. <i>[Signature]</i>	DATE 10/2/84	SIZE B	CODE DD
MFG. ENG. <i>[Signature]</i>	DATE 10/2/84	NUMBER M7458-0	REV. B
		SHEET 1 OF 1	

AUTOMATED BY PRTLST.5R(55)

PARTS LIST

SHEET A1 OF A2

LINE	ITEM	TOP DOCUMENT	PART NUMBER	MIN REV	DESCRIPTION	QTY PER VARIATION			REFERENCE DESIGNATOR
						AC	AF	A4	
						B1	B1	B1	VARIATION REVISION LEVEL:
1	1	D-MD-5016029-0-0	5016029-00		CIRCUIT DRILL & ETCH	1	1	1	
2	2		1010279-01		.47 MFD 25V 20% CER	32	32	32	C5-C36
3	3		1012084-01		8 MFD 25V +75-10% AL EL	2	2	2	C59,C60
4	4		1012784-00		.047 MFD 50V +80-20% CER	34	34	34	C1-C4,C37-C58,C61-C68
5	5		1117373-01		LED ASSY RED	1	1	1	D1
6	6		1211164-04		SW,DIP 08POS/1PST 5VDC100MA F	1	1	1	E7
7	7		1213113-01		HANDLE,MODULE,	1	1	1	
8	8		1300316-00		470.0 .25 W 5.0 % CF	1	1	1	R4
9	9		1300365-00		1.0 K .25 W 5.0 % CF	5	5	5	R48-R50,R52,R55
10	10		1300479-00		10.0 K .25 W 5.0 % CF	19	19	19	R1-R3,R5,R6,R8-R17,R44,R47,R53, R54
11	11		1301522-00		27.0 .25 W 5.0 % CF	26	26	26	CONT R18-R43
12	12		1623200-01		DELAY= 100NS 7TAPS	1	1	1	E10
13	13		1811660-02		OSCILLATOR, XTAL 5.0688 MHZ	1	1	1	E6
14	14		1909932-01		7483A ADDER-4BIT W/LOOK AH	1	1	1	E13
15	15		1910532-00		74S00 NAND GATE-QUAD 2IN	3	3	3	E31,E37,E57
16	16		1910534-00		74S04 INVERTER GATE-HEX 1I	2	2	2	E1,E61
17	17		1910537-00		74S11 AND GATE-TRIPLE 3INP	1	1	1	E24
18	18		1910542-00		74S64 A-0-I GATE 4-2-3-2	3	3	3	E2,E16,E18
19	19		1910544-00		74S74 FF-D DUAL,EDGE TRIGG	6	6	6	E3,E22,E29,E44,E50,E56
20	20		1910547-00		74S153 MUX 1 OF 4 (DUAL)	1	1	1	E64
21	21		1910548-00		74S157 MUX 1 OF 2 (QUAD)	1	1	1	E125
22	22		1910549-00		74S158 MUX 1 OF 2 (QUAD)	8	8	8	E46,E51,E53,E58-E60,E65,E67
23	23		1910550-00		74S174 FF-D HEX	1	1	1	E25
24	24		1910956-00		74S151 MUX 1 OF 8	3	3	3	E27,E33,E40
25	25		1911469-00		DEC 8640 RECEIVER,BUS,QUAD,U	2	2	2	E8,E34
26	26		1911573-00		74S280 PARITY GEN/CHKR,9BIT	2	2	2	E87,E118
27	27		1911579-00		8641 TRANSCEIVER,BUS,QUA	2	2	2	E14,E21
28	28		1911641-00		SN 74S257 MUX,QUAD 2 TO 1	6	6	6	E74,E80,E99,E106,E111,E126
29	29		1911712-00		74S51 AND-OR GATE-INVERT D	3	3	3	E15,E30,E36

REVISION HISTORY		BASIC PART NO: M7458		DRN: V. MANGAUDIS	DATE: 30-MAY-84	D I G I T A L		
ENG:	ECO NUMBER	REV	SECTION A OF A	CHK'D: C. LIVIERATOS	DATE: 4-JUN-84	TITLE PARTS LIST		
---	INITIAL	A	SECTION VARIATION INDEX	DES.ENG: L. CHISVIN	DATE: 30-MAY-84	DOCUMENT NUMBER		
R D	M7458-SH001	B	[A] AC,AF,AH	RESP.ENG.: L. CHISVIN	DATE: 30-MAY-84	SIZE	CODE	NUMBER
			[B]	MFG.ENG.: DON TAYLOR	DATE: 30-MAY-84	K	PL	M7458-AA-DBP
			[C]	ASSEMBLY NUMBER:	TOP DOCUMENT NUMBER:	FILE NAME:		EDIT #
			[D]	D-UA-M7458-0-0	#B-DD-M7458-0	M7458B.PLS		15
			[E]			RELEASE DATE: 09-JAN-85		
			[F]					
			[G]					
			[H]					
			[I]					
			[J]					
			[K]					
			[L]					
			[M]					
			[N]					

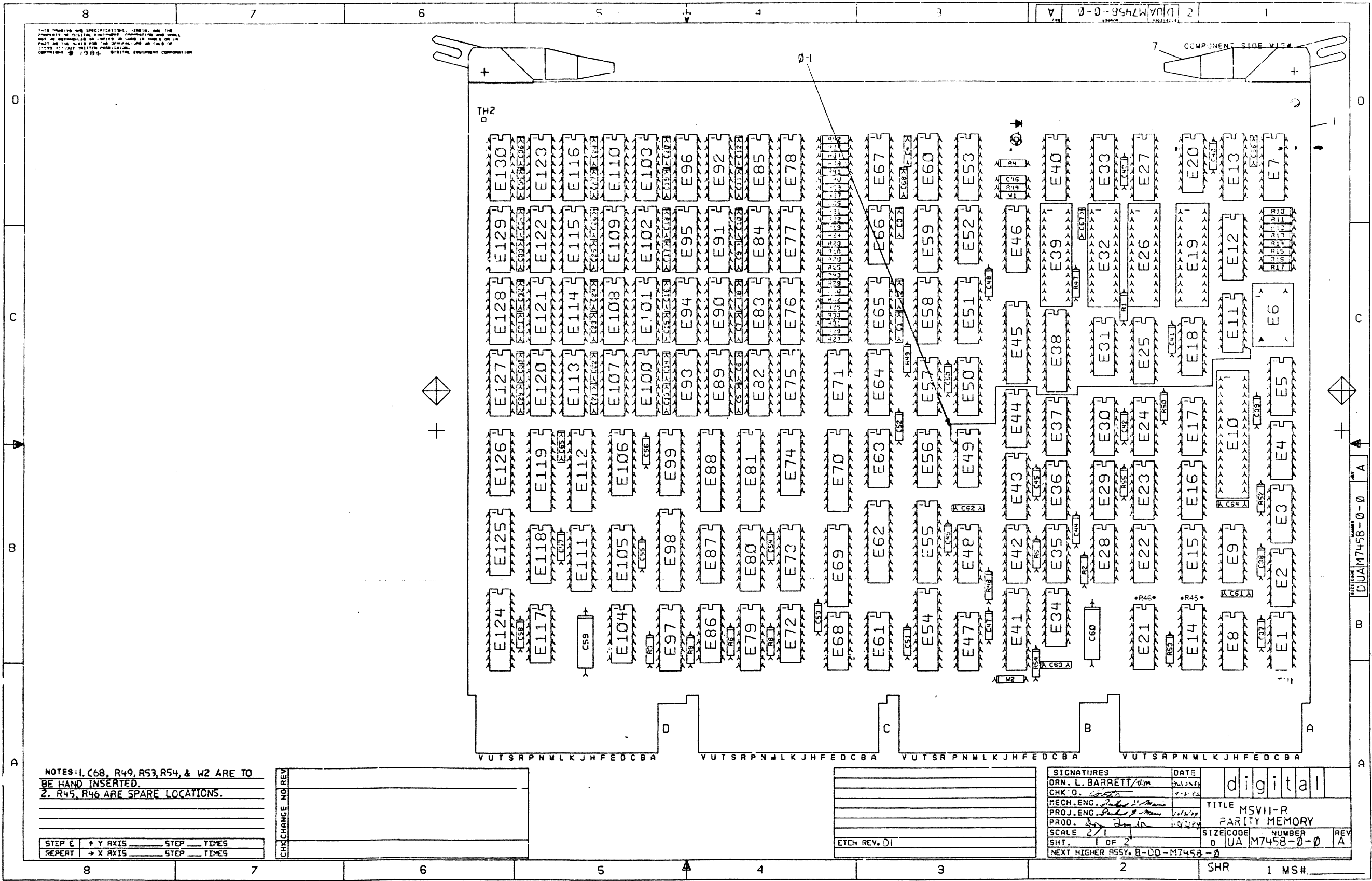
"THIS DRAWING AND THE SPECIFICATIONS CONTAINED HEREIN ARE CONFIDENTIAL AND PROPRIETARY. THEY ARE THE PROPERTY OF DIGITAL EQUIPMENT CORPORATION AND SHALL NOT BE REPRODUCED OR COPIED OR USED IN WHOLE OR IN PART AS THE BASIS FOR THE MANUFACTURE OR SALE OF ITEMS WITHOUT WRITTEN PERMISSION. THIS IS AN UNPUBLISHED WORK PROTECTED UNDER THE FEDERAL COPYRIGHT LAWS."

LINE	ITEM	TOP DOCUMENT	PART NUMBER	MIN REV	DESCRIPTION	QTY PER VARIATION			REFERENCE DESIGNATOR
						AC B1	AF B1	AH B1	
30	30		1912089-00		74S85	1	1	1	E12
31	31		1912096-00	DEC	74S86	1	1	1	E117
32	32		1912388-00		74S02	3	3	3	E42,E47,E63
33	33		1912649-00		LS75	1	1	1	E71
34	34		1912746-00	DEC	74S37	1	1	1	E66
35	35		1912850-00		LS164	1	1	1	E4
36	36		1912853-00		LS175	2	2	2	E73,E97
37	37		1912867-00		LS298	2	2	2	E79,E105
38	38		1913340-00		74S32	2	2	2	E20,E23
39	39	SEE NOTE	1913670-00		74S373	11	11	11	E38,E45,E55,E62,E69,E70,E81,E88, E112,E119,E124
40	40		1913939-00		LS191	1	1	1	E43
41	41		1914085-00		74S260	1	1	1	E9
42	42		1914086-00		74S30	1	1	1	E48
43	43		1914451-00		LS393	2	2	2	E5,E52
44	44		1915019-00		74S38	2	2	2	E68,E104
45	45		1915193-00		LS244	1	1	1	E98
46	46		1919015-00	DC	021	2	2	2	E41,E54
47	47		1921305-01		74F00	1	1	1	E72
48	48		1921306-01		74F02	1	1	1	E35
49	49		1921307-01		74F04	2	2	2	E11,E86
50	50		1921313-01		74F64	2	2	2	E28,E49
51	51		1921314-01		74F74	1	1	1	E17
52	52		2121415-02		81256-15	36	-	-	E75-E78,E82-E85,E89-E96, E100-E103,E107-E110,E113-E116, E120-E123,E127-E130
53	53		2121414-02		50256	-	36	-	E75-E78,E82-E85,E89-E96, E100-E103,E107-E110,E113-E116, E120-E123,E127-E130
54	54		2121413-02		41256	-	-	36	E75-E78,E82-E85,E89-E96, E100-E103,E107-E110,E113-E116, E120-E123,E127-E130
55	55		23148D2-00	D2-02		1	1	1	E19
56	56		23152D2-00	D2-02		1	1	1	E26
57	57		23150D2-00	D2-02		1	1	1	E32
58	58		23151D2-00	D2-02		1	1	1	E39
59	59		9000024-01		EYELET,ROLLED	8	8	8	
60	60		9009185-00		JUMPER, WIRE, INSULATED, BLACK B	2	2	2	W1,W2
61	61		9105740-55		WIRE(WRAP) 30AWG KYNAR UL14	A/R	A/R	A/R	

62 NOTE: DO NOT USE NATIONAL SEMICONDUCTOR PARTS FOR 74S373.

D	I	G	I	T	A	L	TITLE	SECTION	A	OF	A	SIZE	CODE	DOCUMENT NUMBER	REV
							MSV11-R PARITY MEMORY					K	PL	M7458-AA-DBP	B

THIS DRAWING AND SPECIFICATIONS, LENGTH AND THE PROPERTY OF THE UNITED STATES GOVERNMENT AND SHALL NOT BE REPRODUCED OR COPIED IN WHOLE OR IN PART WITHOUT WRITTEN PERMISSION. DATE: 1964. SYSTEMS EQUIPMENT CORPORATION



NOTES: 1. C68, R49, R53, R54, & W2 ARE TO BE HAND INSERTED.
 2. R45, R46 ARE SPARE LOCATIONS.

STEP	↑ Y AXIS	STEP	TIMES
REPEAT	→ X AXIS	STEP	TIMES

CHG	NO	REV

ETCH REV. D1

SIGNATURES		DATE
DRN. L. BARRETT/vjm		7-1-64
CHK'D.		7-1-64
MECH. ENG.		
PROJ. ENG.		
PROD.		
SCALE 2/1		
SHT. 1 OF 2		
NEXT HIGHER ASSY. B-00-M7458-0		

digital	TITLE MSVII-R
	PARITY MEMORY
0 UA M7458-0-0	SIZE CODE NUMBER
A	REV

ALL DRAWINGS AND THE SPECIFICATIONS CONTAINED HEREIN ARE THE PROPERTY OF DIGITAL EQUIPMENT CORPORATION AND SHALL NOT BE REPRODUCED OR COPIED IN WHOLE OR IN PART WITHOUT THE WRITTEN PERMISSION OF DIGITAL EQUIPMENT CORPORATION. THIS DRAWING IS UNCLASSIFIED WORK PROTECTED UNDER THE FEDERAL COPYRIGHT LAWS.

DIA M7458-0-0

FIRST RELEASE
 REWORK INSTRUCTIONS:
 ADD WIRE:
 FROM TO
 Ø-1. E49-2 E11-8

REVISION HISTORY

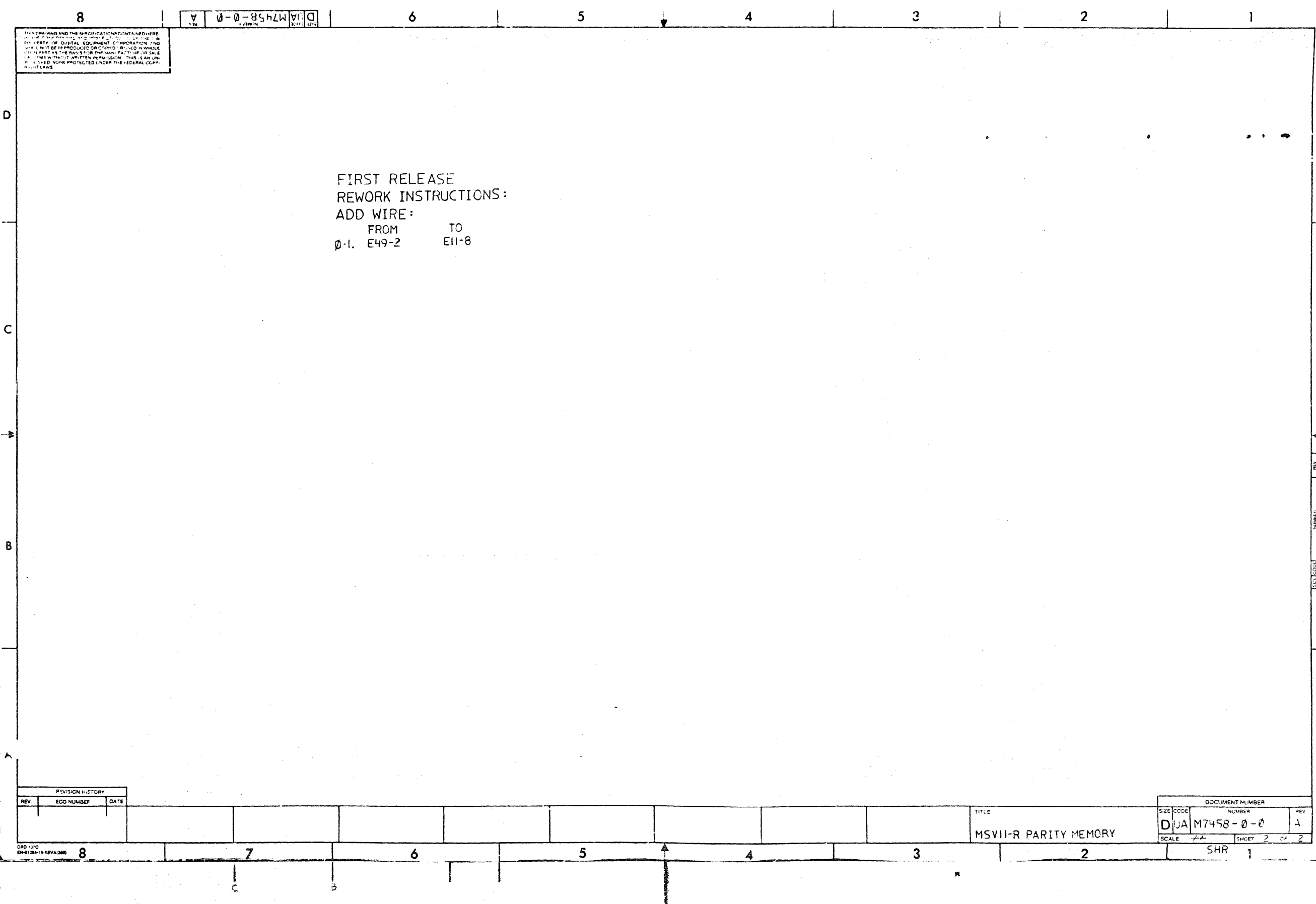
REV	ECCO NUMBER	DATE

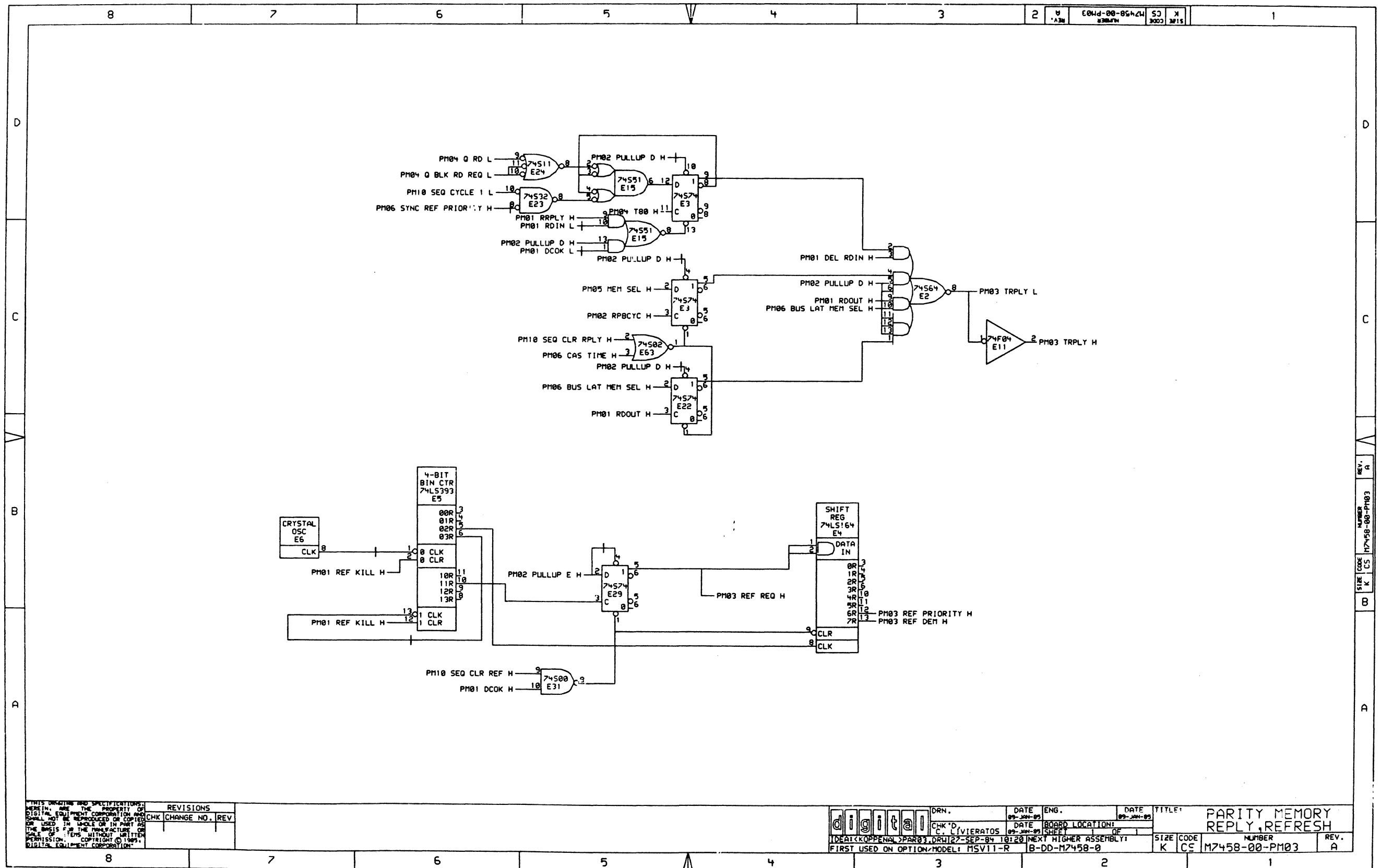
DIGITAL
 EN-0128-1-REV A (388)

TITLE
 MSVII-R PARITY MEMORY

SIZE	CCODE	DOCUMENT NUMBER	NUMBER	REV
D	JJA	M7458-0-0		A

SCALE: SHR SHEET 2 OF 2





THIS DRAWING AND SPECIFICATIONS
HEREIN, ARE THE PROPERTY OF
DIGITAL EQUIPMENT CORPORATION AND
SHALL NOT BE REPRODUCED OR COPIED
OR USED IN WHOLE OR IN PART AS
THE BASIS FOR THE MANUFACTURE OR
SALE OF ITEMS WITHOUT WRITTEN
PERMISSION. COPYRIGHT © 1985,
DIGITAL EQUIPMENT CORPORATION.

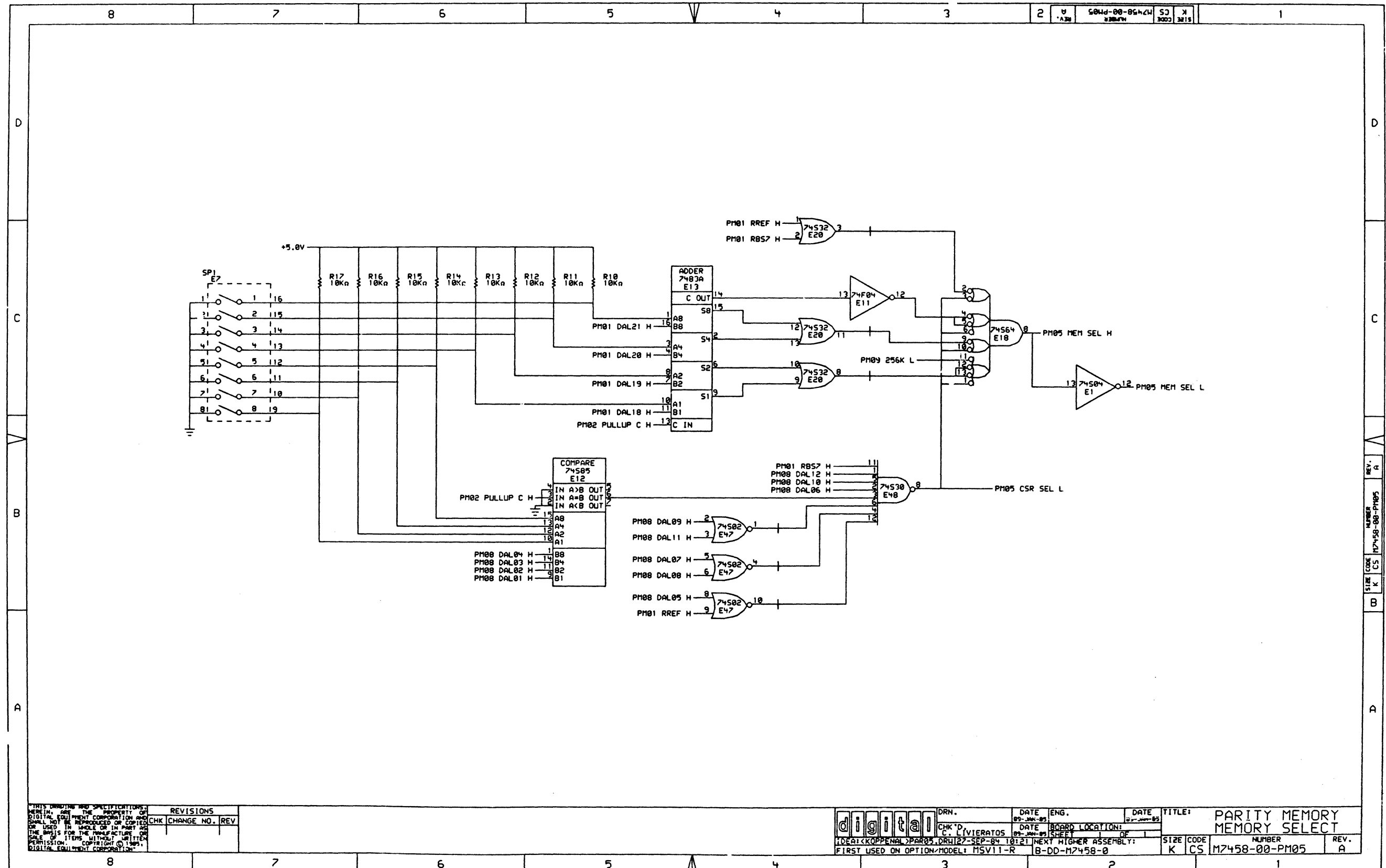
REVISIONS	
CHK	CHANGE NO. REV

digital DRN.
CHK'D: C. LIVERATOS
DATE: 09-20-84
FIRST USED ON OPTION/MODEL: MSV11-R

DATE: 09-20-85
ENG. DATE: 09-20-85
BOARD LOCATION: SHEET 1 OF 1
NEXT HIGHER ASSEMBLY: B-DD-M7458-0

TITLE: **PARITY MEMORY REPLY, REFRESH**
SIZE CODE: K CS
NUMBER: M7458-00-PM03
REV. A

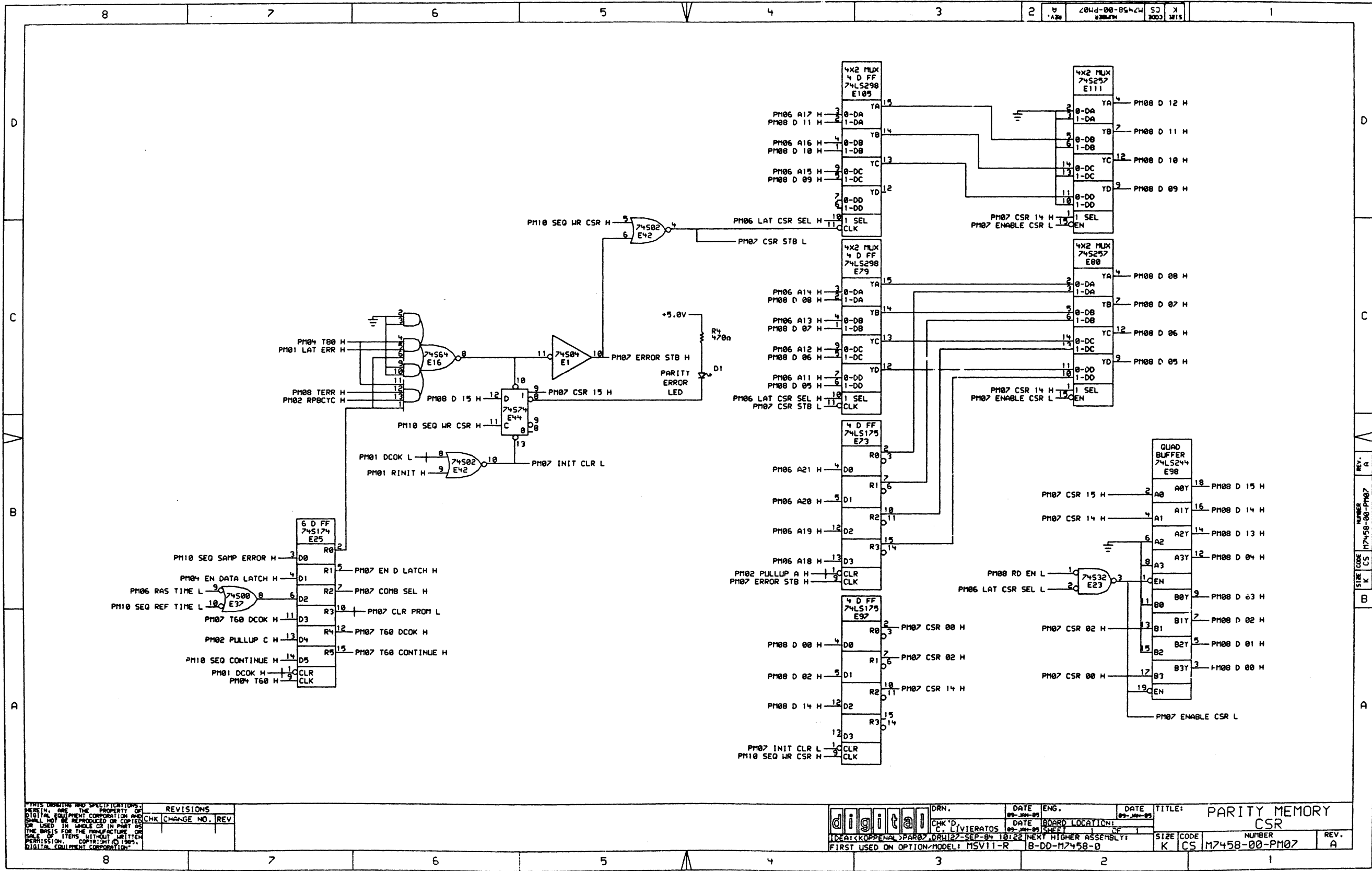
REV. A
NUMBER M7458-00-PM03
SIZE CODE CS



THIS DRAWING AND SPECIFICATIONS ARE THE PROPERTY OF DIGITAL EQUIPMENT CORPORATION AND SHALL NOT BE REPRODUCED OR COPIED IN WHOLE OR IN PART AS OR USED IN WHOLE OR IN PART AS THE BASIS FOR THE MANUFACTURE OF SALE ITEMS WITHOUT WRITTEN PERMISSION. COPYRIGHT © 1985 DIGITAL EQUIPMENT CORPORATION.

REVISIONS		
CHK	CHANGE NO.	REV.

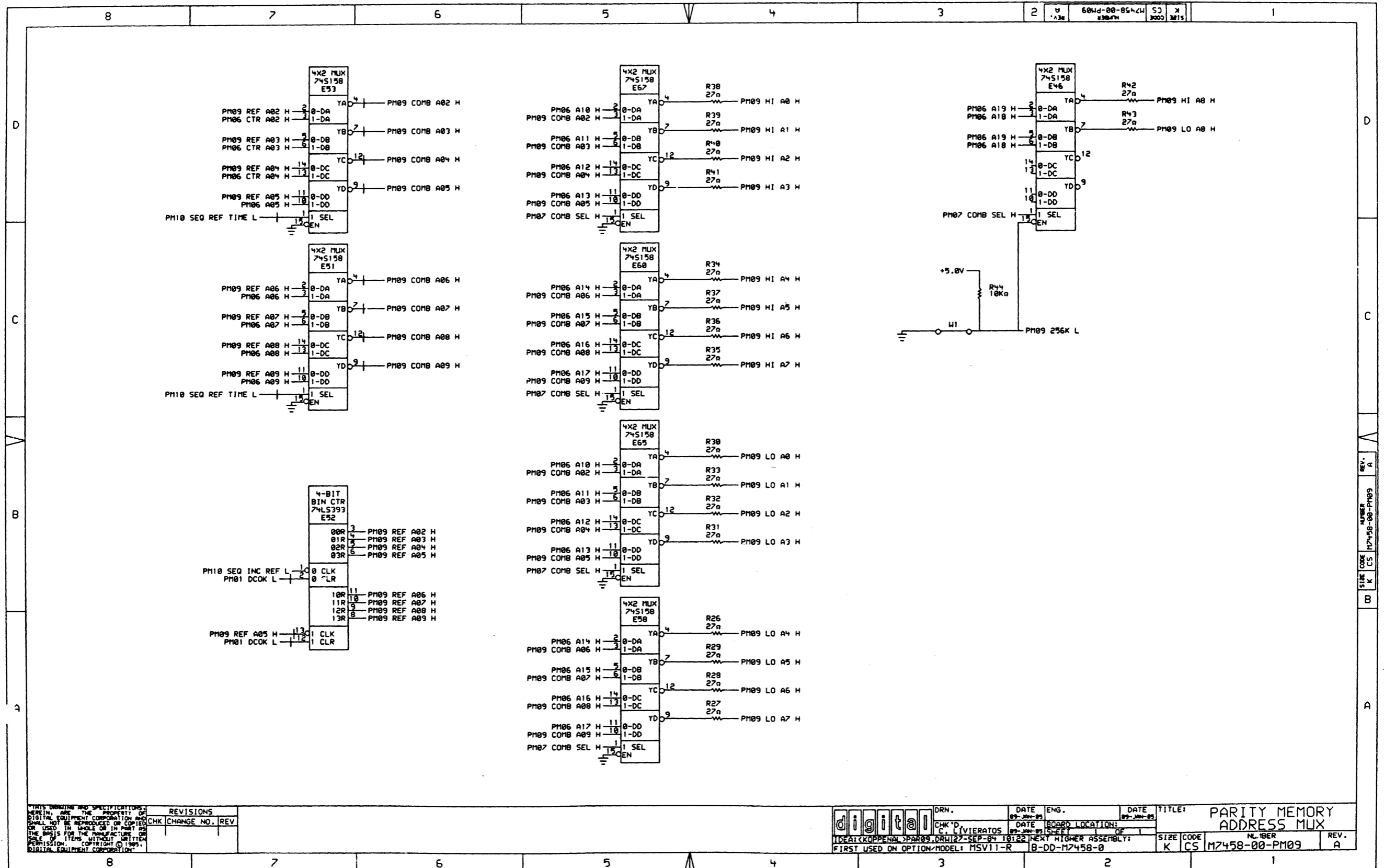
	DRN.	DATE	ENG.	DATE	TITLE:
	CHK'D	DATE	DATE	DATE	PARITY MEMORY SELECT
IDEAL/KOPPENAL/PAR05/DRN127-SEP-84 10:21 NEXT HIGHER ASSEMBLY:		BOARD LOCATION:		SIZE	CODE
FIRST USED ON OPTION/MODEL: MSV11-R		B-DD-M7458-0		K	CS
NUMBER				M7458-00-PM05	REV.
A					A



THIS DRAWING AND SPECIFICATIONS ARE THE PROPERTY OF DIGITAL EQUIPMENT CORPORATION AND SHALL NOT BE REPRODUCED OR COPIED OR USED IN WHOLE OR IN PART AS THE BASIS FOR THE MANUFACTURE OR SALE OF ITEMS WITHOUT WRITTEN PERMISSION. COPYRIGHT © 1989, DIGITAL EQUIPMENT CORPORATION.

REVISIONS	
CHK	CHANGE NO. REV.

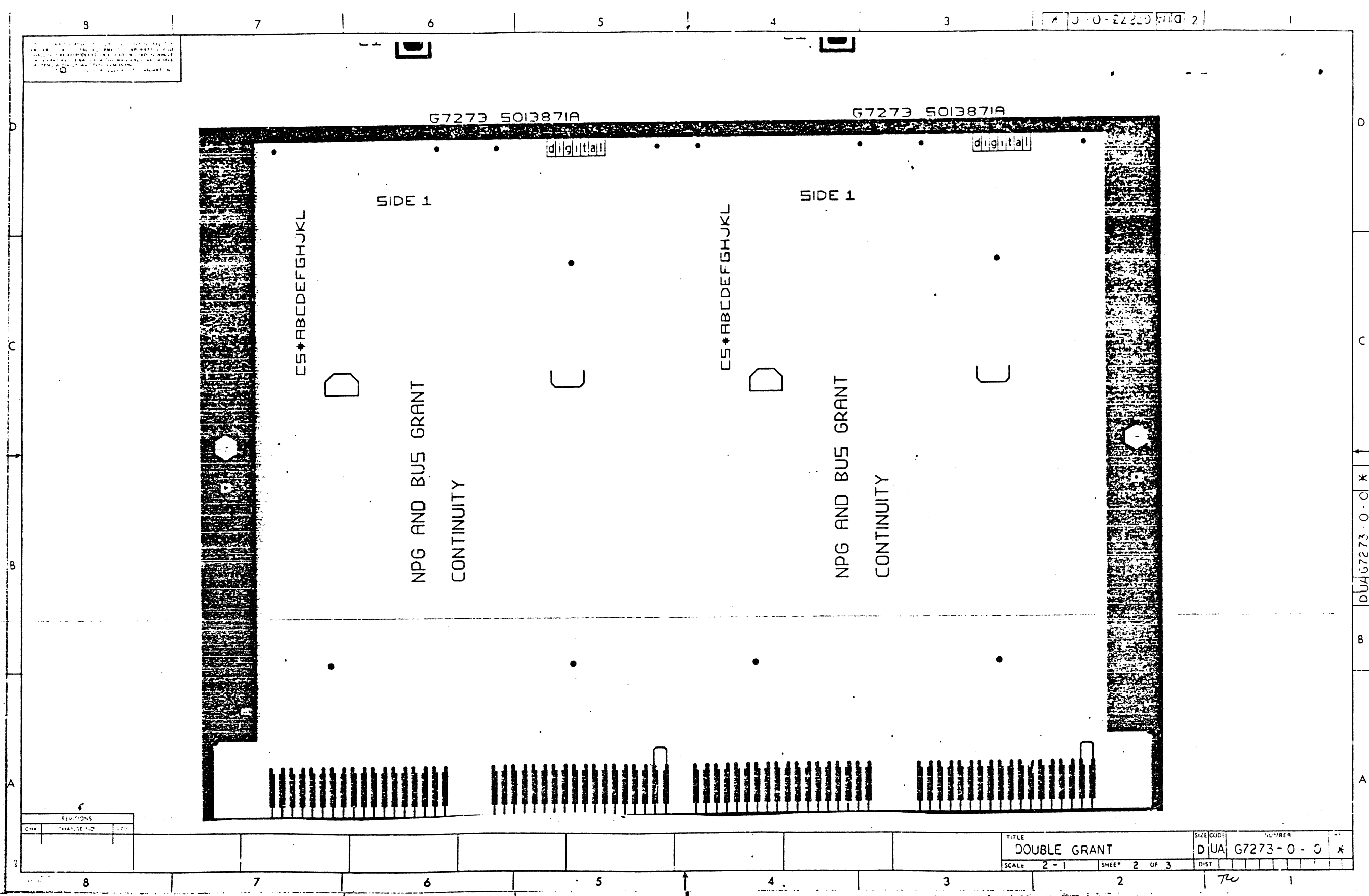
digital	DRN.	DATE	ENG.	DATE	TITLE:
	CHK'D	DATE	BOARD LOCATION:	DATE	PARITY MEMORY CSR
FIRST USED ON OPTION/MODEL: MSV11-R		NEXT HIGHER ASSEMBLY: B-DD-M7458-0		SIZE	CODE
				K	CS
				NUMBER	REV.
				M7458-00-PM07	A



THIS DRAWING AND SPECIFICATIONS ARE THE PROPERTY OF DIGITAL EQUIPMENT CORPORATION AND SHALL NOT BE REPRODUCED OR COPIED OR USED IN WHOLE OR IN PART AS THE BASIS FOR THE MANUFACTURE OR SALE OF ITEMS WITHOUT WRITTEN PERMISSION. COPYRIGHT © 1984, DIGITAL EQUIPMENT CORPORATION.

REVISIONS
CHK CHANGE NO. REV

digital	DRN.	DATE	ENG.	DATE	TITLE:
	CHK'D	09-JAN-85		09-JAN-85	PARITY MEMORY ADDRESS MUX
	C. LIVERATOS	DATE	BOARD LOCATION:	OF	
		09-JAN-85		1	
FIRST USED ON OPTION/MODEL: MSV11-R					B-DD-M7458-0
SIZE	CODE	NUMBER	REV.		
K	CS	M7458-00-PM09	A		



8
7
6
5
4
3
2
1

8 7 6 5 4 3 2 1

G7273 5013871A

G7273 5013871A

digital

digital

SIDE 1

SIDE 1

CS*ABCDEFGHIJKL

CS*ABCDEFGHIJKL

NPG AND BUS GRANT
CONTINUITY

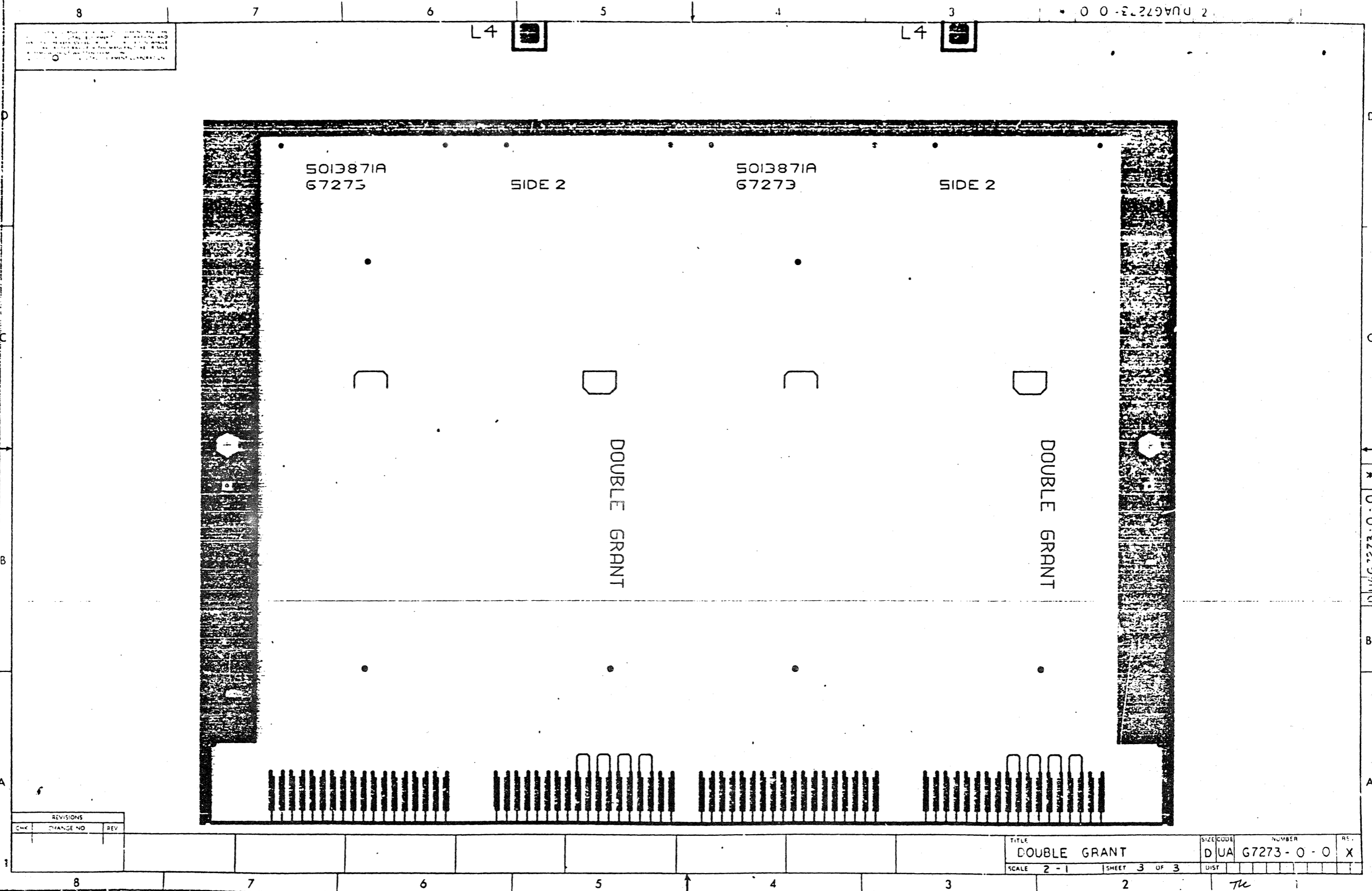
NPG AND BUS GRANT
CONTINUITY

REVISIONS		
CHK	CHANGE NO.	DATE

TITLE	DOUBLE GRANT	SIZE CODE	DUA	NUMBER	G7273-0-0	OF	3
SCALE	2-1	SHEET	2	OF	3	DIST	

DUA G7273-0-0 X

8 7 6 5 4 3 2 1



THIS DRAWING IS THE PROPERTY OF THE ARCHITECT AND
 SHALL BE KEPT IN HIS OFFICE. IT IS TO BE USED ONLY
 FOR THE PROJECT AND SITE SPECIFICALLY IDENTIFIED
 HEREON. IT IS NOT TO BE REPRODUCED, COPIED,
 OR TRANSMITTED IN ANY FORM OR BY ANY MEANS,
 ELECTRONIC OR MECHANICAL, INCLUDING PHOTOCOPYING,
 RECORDING, OR BY ANY INFORMATION STORAGE AND
 RETRIEVAL SYSTEM, WITHOUT THE WRITTEN PERMISSION
 OF THE ARCHITECT.

REVISIONS		
CHK	CHANGE NO.	REV.

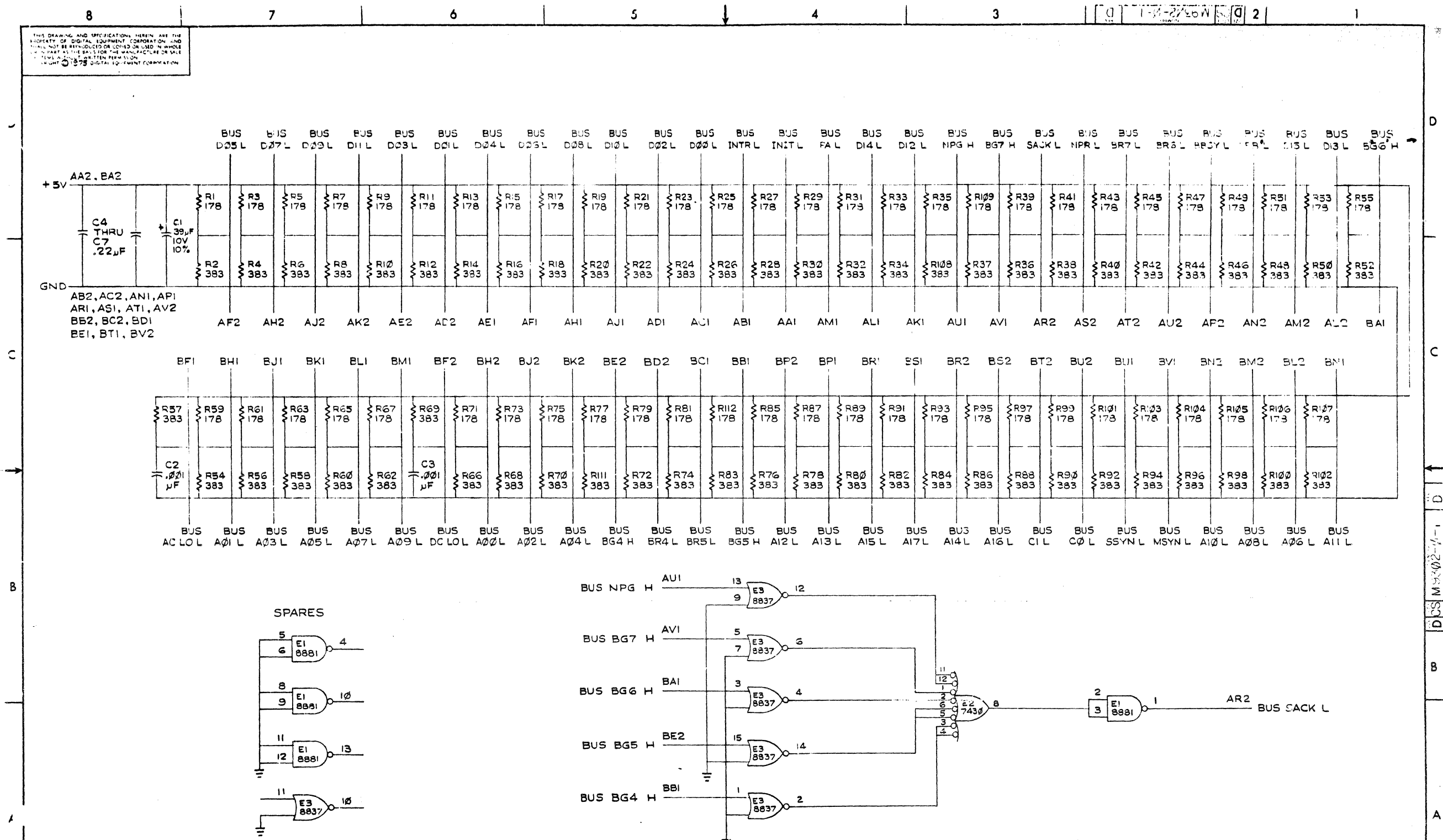
TITLE	DOUBLE GRANT	SIZE/CODE	DUA	NUMBER	G7273-0-0	REV.	X
SCALE	2-1	SHEET	3	OF	3	DIST.	

DUAG.7273-0-0 X

2 DUAG.7273-0-0

Tu

THIS DRAWING AND SPECIFICATIONS HEREIN ARE THE PROPERTY OF DIGITAL EQUIPMENT CORPORATION AND SHALL NOT BE REPRODUCED OR COPIED OR USED IN WHOLE OR IN PART AS THE BASIS FOR THE MANUFACTURE OR SALE OF ANY EQUIPMENT WITHOUT WRITTEN PERMISSION FROM DIGITAL EQUIPMENT CORPORATION.



REVISIONS		
CHK	CHANGE NO	REV

TITLE: UNIBUS TERMINATOR
 SIZE CODE: DCS
 NUMBER: M9302-0-1
 SHEET 2 OF 2

DRAWING NO.	NO. OF SHTS.	PART NO.	DESCRIPTION	REVISIONS																		
				A1	BI																	
		5416196-01	11/84 FRONT PANEL	A1	BI																	
A-SP-5416196-0-0	11		11/84 FRONT PANEL SPEC	—	A																	
D-UA-5416196-0-0	1		11/84 FRONT PANEL	A	B																	
K-PL-5416196-0-DBP	1		11/84 FRONT PANEL	A	B																	
K-PC-5416196-0-DBA			P.C. DESIGN DATA BASE	A	A																	
D-CS-5416196-0-1	1		11/84 FRONT PANEL	A	B																	
		5016195-01	ETCHED CIRCUIT BOARD	C1	C1																	
B-DD-5016195-0-0	1		DRAWING DIRECTORY	A	B																	
NOTES:				REVISION HISTORY	REV.																	
				DATE	ECO NO.	INIT																
				8/84			A															
				7-85		TW001	B															

THIS DRAWING AND THE SPECIFICATIONS CONTAINED HEREIN ARE CONFIDENTIAL AND PROPRIETARY. THEY ARE THE PROPERTY OF DIGITAL EQUIPMENT CORPORATION AND SHALL NOT BE REPRODUCED OR COPIED OR USED IN WHOLE OR IN PART AS THE BASIS FOR THE MANUFACTURE OR SALE OF ITEMS WITHOUT WRITTEN PERMISSION. THIS IS AN UNPUBLISHED WORK PROTECTED UNDER THE FEDERAL COPYRIGHT LAWS.
1984



DRN. P. LENNON	DATE 8/6/84
CHK'D. BARRIERE	DATE 8/6/84
DES. ENG. D. BELLEW	DATE 8/6/84
RESP. ENG. D. BELLEW	DATE 8/6/84
MFG. ENG. W. HAMLIN	DATE 8/6/84

TITLE			
11/84 FRONT PANEL			
DOCUMENT NUMBER			
SIZE B	CODE DD	NUMBER 5416196-0-0	REV. B
SHEET 1 OF			1

TW

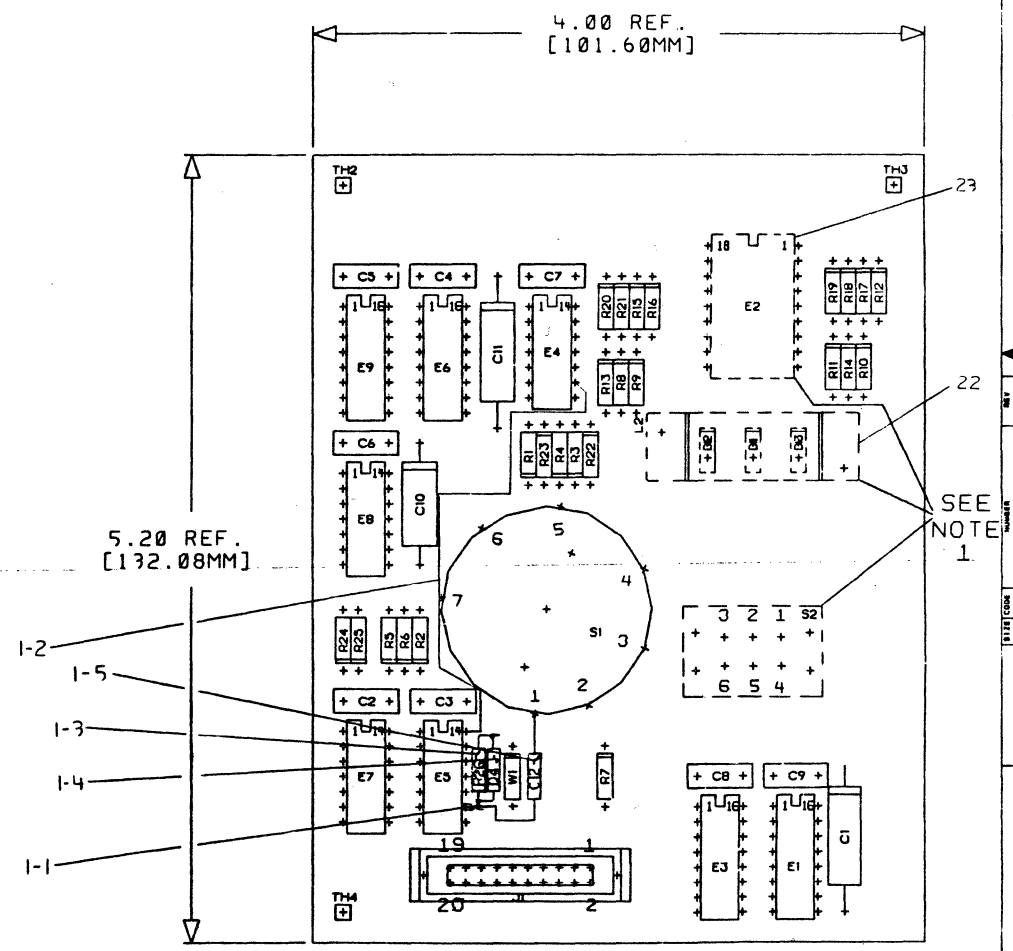
LINE	ITEM	TOP DOCUMENT	PART NUMBER	MIN REV	DESCRIPTION	QTY PER VAR/REV	REFERENCE DESIGNATORS
						01 B1	
1	1	D-MD-5016195-0-0	50-16195-01		CIRCUIT DRILL AND ETCH BOARD	1	
2	2		10-14265-02		.33 MFD 50V 20% CER	2	C2-C9
3	3		10-05306-00		6.8MFD 35V 10% S.TANT	1	C10
4	4		10-17472-00		10 MFD 35V +75-10% AL EL	2	C1,C11
5	5		11-16622-02		LED 2.0MCD@25M	3	D1-U3
6	6		12-19952-05		PCB HEADER 20PIN(2X10).100CC STR	1	J1
7	7		12-21784-01		SW,TOG, 2PDT ON-ON-MOM ON 0.	1	S2
8	8		12-21918-01		SW,ROT 2P 4POS 1"DIA	1	S1
9	9		13-00447-00		4.70 K .25 W 5.0 % CF	1	R7
10	10		13-00271-00		220.0 .25 W 5.0 % CF	14	R8-R21
11	11		13-01322-00		180.0 .25 W 5.0 % CF	2	R22,R23
12	12		13-02388-00		2.0 K .25 W 5.0 % CF	6	R3-R6,R24,R25
13	13		13-02466-00		100.0 K .25 W 5.0 % CF	2	R1,R2
14	14		90-09185-00		JUMPER, WIRE, INSULATED, BLACK B	1	W1
15	15		19-10535-00		74S05 INVERTER GATE-HEX 1	1	E8
16	16		19-11295-00		7447A DECODER&DRIVER FOR 7	2	E1,E3
17	17		19-11469-00		DEC 8640 RECEIVER,BUS,QUAD,UN	2	E5,E7
18	18		19-11579-00		/REPLACED BY 19-14987-00	1	E9
19	19		19-12799-00		LS00 NAND-GATE-QUAD 2IN,P	1	E4
20	20		19-12837-00		LS123 ONE SHOT-DUAL,RETRIG	1	E6
21	21		19-13478-00		MAN 6710 SEGMENT DISPLAY LED,	1	E2
22	22		74-30194-01		SUPPORT,LED	1	
23	23		12-22948-01		SKT,HI PRO 18PIN DIP NICK PC MNT	1	
24	24		10-00064-00		3.9MFD 10V 10% S.TANT	1	C12
25	25		11-00114-00		PIV= 25 IO=135 MA	1	D4
26	26		13-13349-00		33.0 K .25 W 5.0 % CF	1	R26
27	27		91-05740-55		WIRE(WRAP) 30AWG KYNAR UL14 A/R		

REVISION HISTORY			KPL MODULE FORMAT		SECTION A OF A		DRN: JOE LIZOTTE		DIGITAL			
ENG	ECO NUMBER	REV	SECTION/VARIATION INDEX		DATE: 20-APR-84		CHK'D: D. BARRIERE		TITLE PARTS LIST			
DB	INITIAL	A	[A]	01	[M]	DATE: 02-MAY-84		11/84 FRONT PANEL				
DB	5416196-TW001	B	[B]		[N]	DES.ENG: DAVE BELLEW		DOCUMENT NUMBER				
			[C]		[P]	DATE: 20-APR-84		SIZE	CODE	NUMBER	REV	
			[D]		[Q]	RESP.ENG.: DAVE BELLEW		K	PL	5416196-0-DBP	B	
			[E]		[R]	DATE: 20-APR-84		RELEASE DATE: 06-MAR-86				
			[F]		[S]	MFG.ENG: W. HAMLIN		RELEASE STATUS: RELEASED				
			[H]		[T]	DATE: 25-JUL-84						
			[J]		[V]							
			[K]		[W]							
			[L]		[Y]							
			BASIC PART NUMBER:		ASSEMBLY NUMBER:		TOP DOCUMENT NUMBER:		FILE NAME:		EDIT #	
			5416196		D-UA-5416196-0-0		B-DD-5416196-0-0		Z6611B.PLS		11	

"THIS DRAWING AND THE SPECIFICATIONS CONTAINED HEREIN ARE CONFIDENTIAL AND PROPRIETARY. THEY ARE THE PROPERTY OF DIGITAL EQUIPMENT CORPORATION AND SHALL NOT BE REPRODUCED OR COPIED OR USED IN WHOLE OR IN PART AS THE BASIS FOR THE MANUFACTURE OR SALE OF ITEMS WITHOUT WRITTEN PERMISSION. THIS IS AN UNPUBLISHED WORK PROTECTED UNDER THE FEDERAL COPYRIGHT LAWS."

THIS DRAWING AND SPECIFICATIONS HEREIN ARE THE PROPERTY OF DIGITAL EQUIPMENT CORPORATION AND SHALL NOT BE REPRODUCED OR COPIED IN WHOLE OR IN PART AS THE BASIS FOR THE MANUFACTURE OR SALE OF ITEMS WITHOUT WRITTEN PERMISSION.
 DIGITAL EQUIPMENT CORPORATION

COMPONENT: SIDE VIEW



CHK	DRAWN BY	ENGINEER	CHANGE NO	DATE	REV
DP	D.FORSYTH	D.BELLEW	TWOOL	20DEC85	B

CHK	DRAWN BY	ENGINEER	CHANGE NO	DATE	REV

NOTES: 1. D1,D2,D3,E2 AND S2 ARE MOUNTED ON SIDE 2.

STEP E → Y AXIS _____ STEP _____ TIMES
 REPEAT → X AXIS _____ STEP _____ TIMES

ETCH REV. C1

SIGNATURES		DATE	digital
DRN. JOE LIZOTTE		3-4-84	
CHK. D. D. BARRIERE		5-7-84	TITLE 11/84 FRONT PANEL
MECH. ENG. S. STEFANICK		7-25-84	
PROJ. ENG. G. BELLEW		7-25-84	
PROD. W. HAMLIN		7-25-84	
SCALE 2:1	SHT. 1 OF 2	SIZE CODE D UA	NUMBER 5416196-0-0
TOP DOC. NO. B-DD-5416196-0-0			REV B

DUAL 5416196-0-0

8 6 5 4 3 2 1

REV 0-0-961919 D

ALL DRAWINGS AND THE SPECIFICATIONS CONTAINED HEREIN ARE THE PROPERTY OF THE ELECTRONIC INDUSTRIES CORPORATION AND SHALL BE KEPT AS THE BASIS FOR THE MANUFACTURE OR SALE OF ITEMS WITHOUT WRITTEN PERMISSION. THIS IS AN UNPUBLISHED WORK PROTECTED UNDER THE FEDERAL COPYRIGHT ACT, 1936.

REWORK INSTRUCTION ECO #1

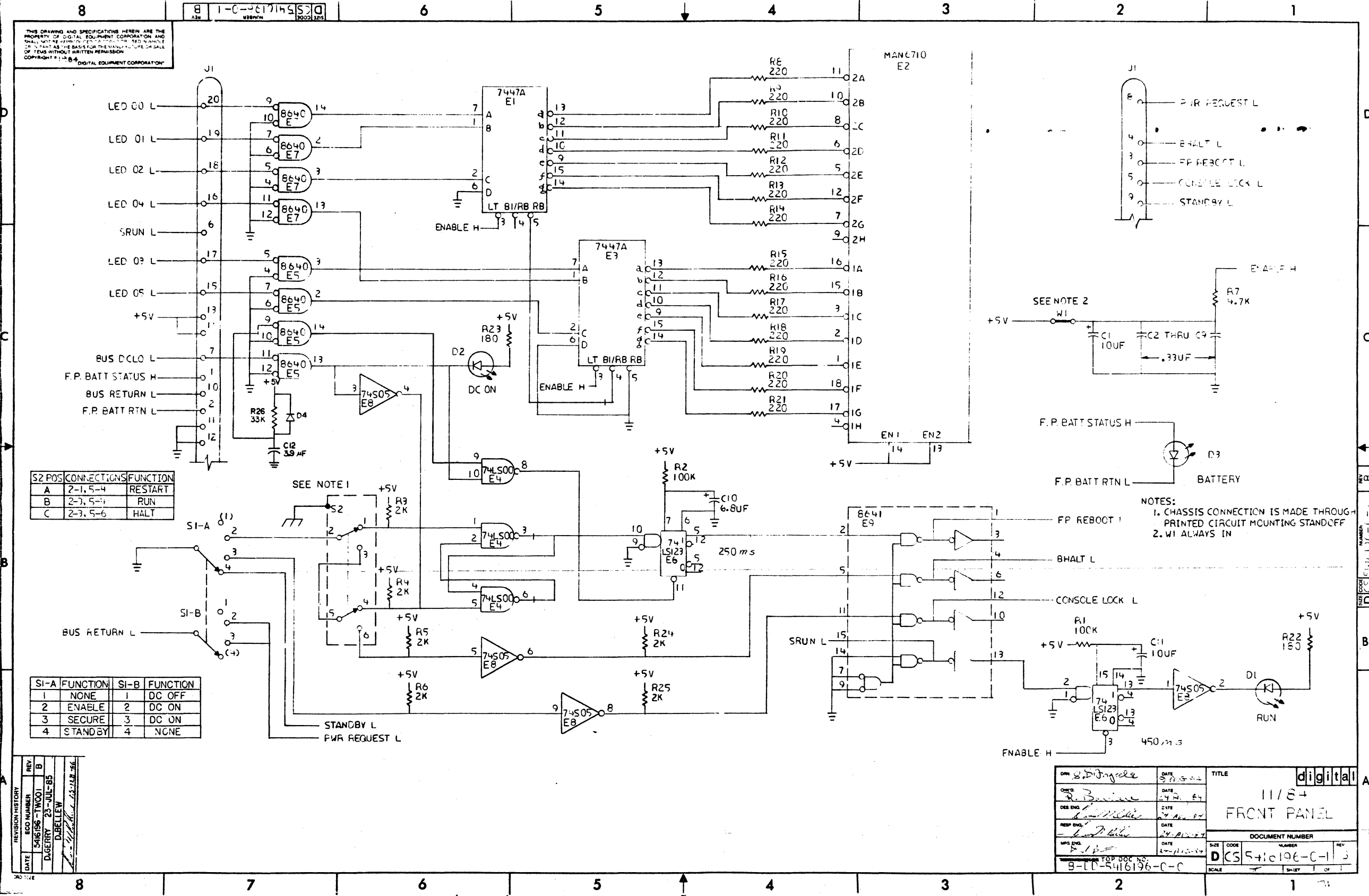
- I - 1 LIFT LEG OF E05-09
- I - 2 INSTALL WIRE FROM E05-14 TO E04-09.
- I - 3 INSTALL R26 FROM LIFTED PIN E05-09 TO PTH DIRECTLY ACROSS OF E05-14
- I - 4 PIGGYBACK DIODE D4 ONTO R26 WITH THE CATHODE AT THE PTH.
- I - 5 INSTALL C12 FROM LIFTED PIN E05-09 TO S01-01 (PIN 1 AT ROTARY SWITCH).

REVISION HISTORY		
REV	ECO NUMBER	DATE

TITLE		DOCUMENT NUMBER	
11/84 FRONT PANEL		SIZE CODE	NUMBER
		DUA541696	0 0
		SCALE	SHEET OF 2

8 7 6 5 4 3 2 1

THIS DRAWING AND SPECIFICATIONS HEREIN ARE THE PROPERTY OF DIGITAL EQUIPMENT CORPORATION AND SHALL NOT BE REPRODUCED OR TRANSMITTED IN ANY FORM OR BY ANY MEANS, ELECTRONIC OR MECHANICAL, INCLUDING PHOTOCOPYING, RECORDING, OR BY ANY INFORMATION STORAGE AND RETRIEVAL SYSTEM, WITHOUT WRITTEN PERMISSION OF DIGITAL EQUIPMENT CORPORATION.



S2 POS	CONNECTIONS	FUNCTION
A	2-1, 5-4	RESTART
B	2-3, 5-4	RUN
C	2-3, 5-6	HALT

S1-A	FUNCTION	S1-B	FUNCTION
1	NONE	1	DC OFF
2	ENABLE	2	DC ON
3	SECURE	3	DC ON
4	STANDBY	4	NONE

REVISION HISTORY	
DATE	REV.
11/23/84	B
11/23/84	A

DATE	REV.	TITLE
11/23/84	B	11/84 FRONT PANEL
11/23/84	A	

DOCUMENT NUMBER: B-11-5416196-C-1

SCALE: 1:1

AUTOMATED BY PRTLST.5R(55)

PARTS LIST

SHEET A1 OF A1

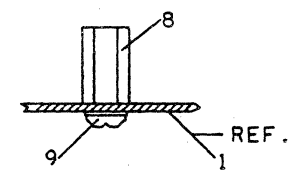
LINE	ITEM	TOP DOCUMENT	PART NUMBER	MIN REV	DESCRIPTION	QTY	PER VARIATION	REFERENCE DESIGNATOR
					VARIATION REVISION LEVEL:	01		
						A1		
1	1	D-MD-5016057-0-0	5016057-01		CIRCUIT DRILL AND ETCH BOARD	1		
2	2		1220133-02		SW,ROT 10POS 28VDC/.125A P	1		S1
3	3		1220430-02		SW,SLIDE 1PST	1		S2
4	4		1301401-00		750.0 .25 W 5.0 % CF	1		R1
5	5		1219573-03		CONN,D SUB 10PIN ASSY STR	1		J2
6	6		1219952-05		PCB HEADER 20PIN(2X10).100CC STR	1		J1
7	7		9009185-00		JUMPER, WIRE, INSULATED, BLACK B	1		W1
8	8		9006851-00		SPACER,THREADED HEX ALUM 6-3	2		
9	9		9010174-00		SCREW,SEMS PAN PHIL 6-	2		

REVISION HISTORY			BASIC PART NO: 5416058			DRN: MIKE MORIN		DATE: 4-OCT-83		D I G I T A L			
ENG	ECO NUMBER	REV	SECTION A OF A			CHK'D: D. BARRIERE		DATE: 28-NOV-83		TITLE PARTS LIST CONSOLE DISTRIBUTION BOARD			
---	INITIAL	A	SECTION VARIATION INDEX			DES.ENG: MIKE MORIN		DATE: 28-NOV-83		DOCUMENT NUMBER			
			(A)	01		RESP.ENG.: MIKE MORIN		DATE: 28-NOV-83		SIZE	CODE	NUMBER	REV
			(B)			MFG.ENG.: W. HAMLIN		DATE: 19-JUN-84		K	PL	5416058-0-DBP	A
			(C)			ASSEMBLY NUMBER:		TOP DOCUMENT NUMBER:		FILE NAME:		EDIT #	
			(D)			D-UA-5416058-0-0		B-DD-5416058-0-0		Z6580A.PLS		4	
			(E)										
			(F)										
			(H)										
			(J)										
			(K)										
			(L)										
			(M)										
			(N)										

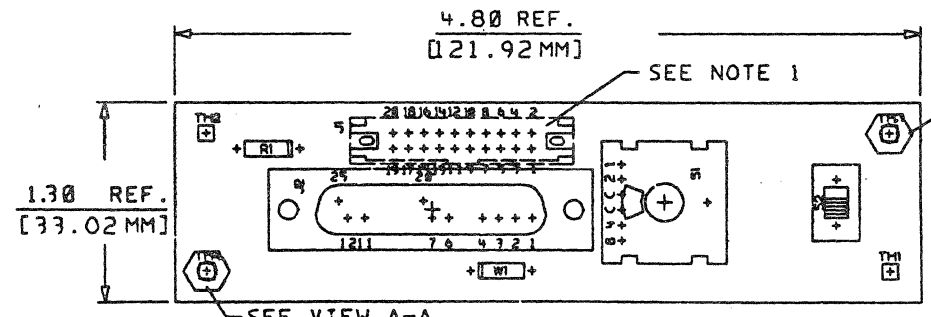
"THIS DRAWING AND THE SPECIFICATIONS CONTAINED HEREIN ARE CONFIDENTIAL AND PROPRIETARY. THEY ARE THE PROPERTY OF DIGITAL EQUIPMENT CORPORATION AND SHALL NOT BE REPRODUCED OR COPIED OR USED IN WHOLE OR IN PART AS THE BASIS FOR THE MANUFACTURE OR SALE OF ITEMS WITHOUT WRITTEN PERMISSION. THIS IS AN UNPUBLISHED WORK PROTECTED UNDER THE FEDERAL COPYRIGHT LAWS."

THIS DRAWING AND SPECIFICATIONS, HEREIN, ARE THE PROPERTY OF BUSHNELL EQUIPMENT CORPORATION AND SHALL NOT BE REPRODUCED OR COPIED IN WHOLE OR IN PART WITHOUT WRITTEN PERMISSION. BUSHNELL EQUIPMENT CORPORATION, BRANTFORD, VT.

COMPONENT SIDE VIEW



SECTION A-A
TYP. 2 PLACES
TORQUE 8 IN. LBS. ± 1



CHK	DRAWN BY	ENGINEER	CHANGE NO	DATE	REV

CHK	DRAWN BY	ENGINEER	CHANGE NO	DATE	REV

NOTES:
1. J1 MOUNTS ON SIDE 2.

STEP	↑ Y AXIS	STEP	TIMES
REPEAT	→ X AXIS	STEP	TIMES

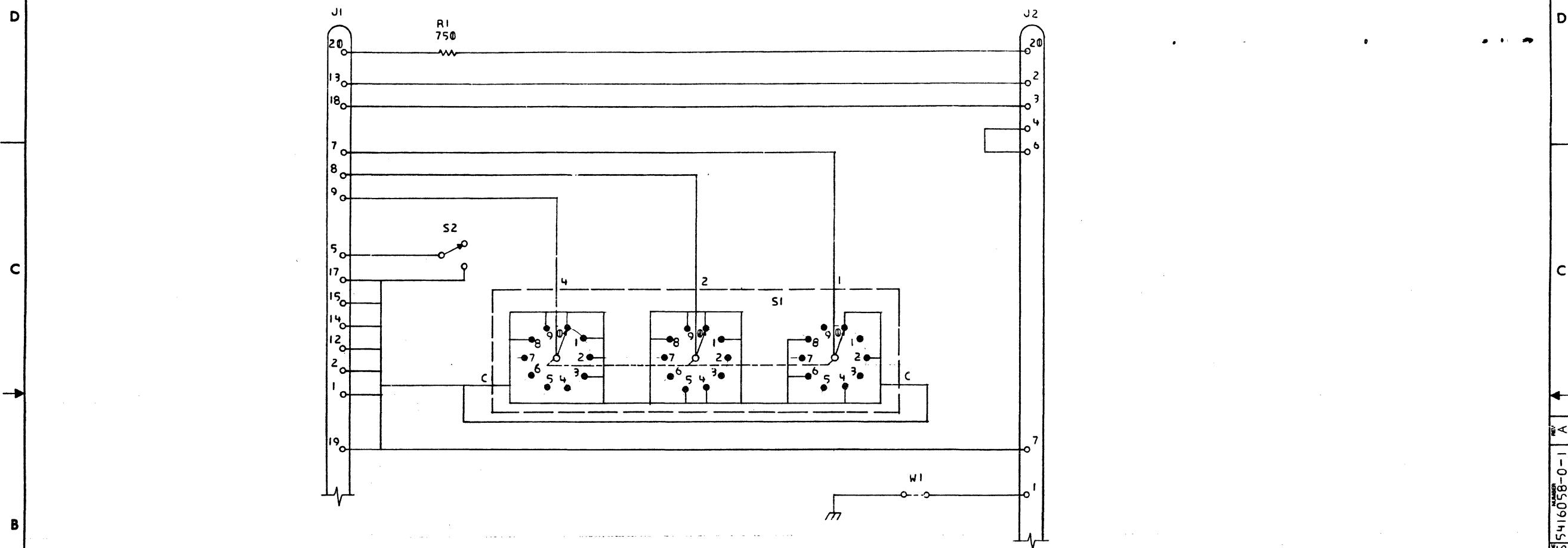
ETCH REV: C2

SIGNATURES	DATE	digital
DRN. ANDY OUELLETTE	5-18-84	TITLE CONSOLE DISTRIBUTION BOARD
CHK. D. R. BARRIÈRE	5-20-84	
MECH. ENG. M. MORIN	5-20-84	
PROJ. ENG. M. MORIN	5-20-84	
PROD. W. HALLIN	5-20-84	
SCALE 2:1	SHT. 1 OF 1	SIZE CODE NUMBER REV
TOP DOC. NO. B-DD-5416058-0-0		D UA 5416058-0-0 A

8 6 5 4 3 2 1

THIS DRAWING AND SPECIFICATIONS HEREIN ARE THE PROPERTY OF DIGITAL EQUIPMENT CORPORATION AND SHALL NOT BE REPRODUCED OR COPIED OR USED IN WHOLE OR IN PART IN ANY MANNER WITHOUT WRITTEN PERMISSION OF DIGITAL EQUIPMENT CORPORATION. COPYRIGHT © 1983

1-0-8509155 DCS 5416058-0-1



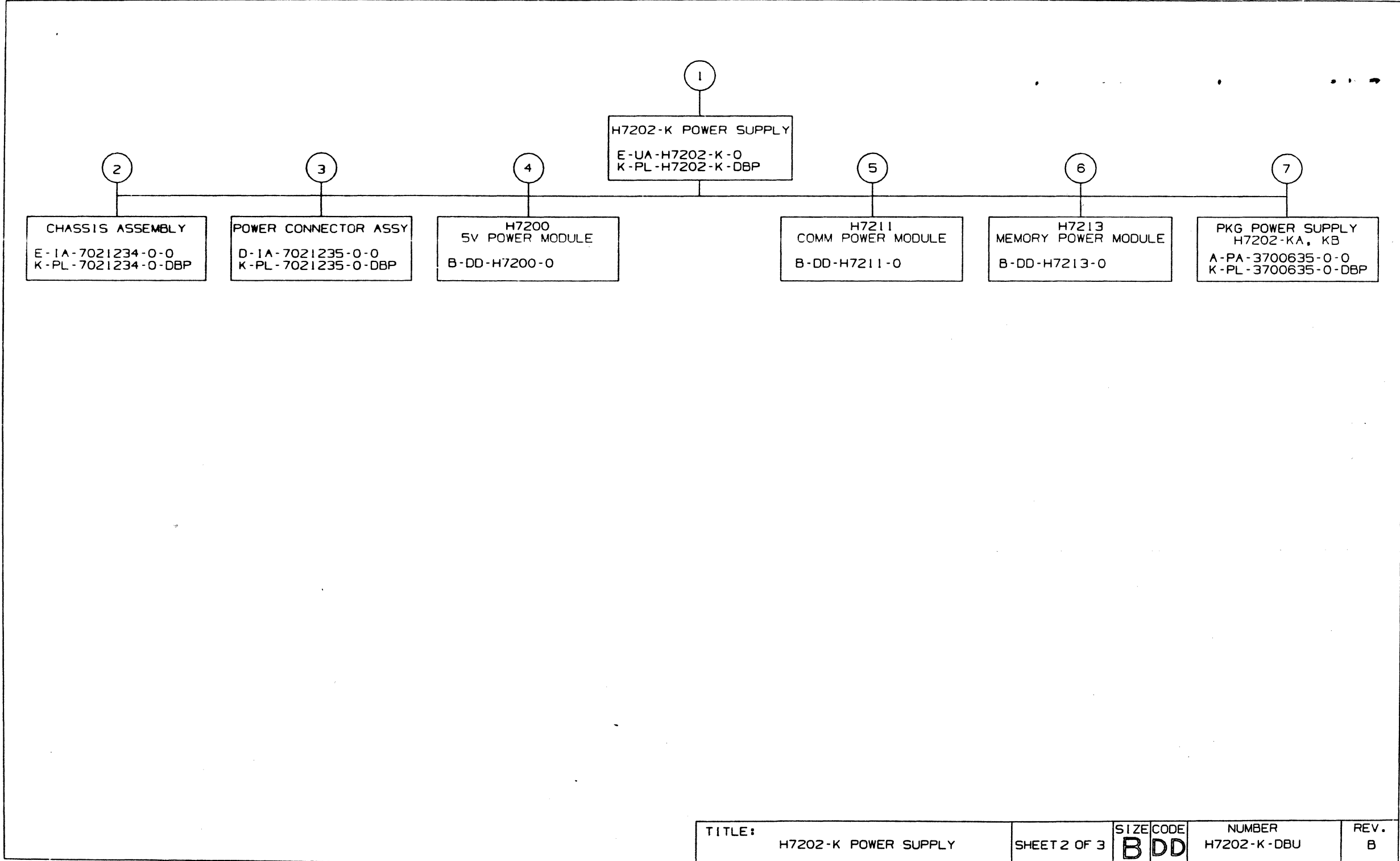
NOTE
1. W1 REMOVED IN EUROPEAN APPLICATIONS

REV.	
ECO NUMBER	
DATE	

DRN <i>S. Bongali</i>	DATE <i>16 OCT 83</i>	TITLE digital
CHG'D <i>M. M...</i>	DATE <i>25 JUN 84</i>	CONSOLE DISTRIBUTION BOARD
DES. BY <i>M. M...</i>	DATE <i>25 JUN 83</i>	
REP. BY <i>M. M...</i>	DATE <i>25 JUN 84</i>	DOCUMENT NUMBER
INFO. BY <i>R. J. C.</i>	DATE <i>25 JUN 84</i>	DCS 5416058-0-1 A
B-DD-5416058-0-0		SCALE <i>1</i> SHEET <i>1</i> OF <i>1</i>

8 7 6 5 4 3 2 1

DCS 5416058-0-1 A



TITLE:	H7202-K POWER SUPPLY	SHEET 2 OF 3	SIZE CODE B DD	NUMBER H7202-K-DBU	REV. B
--------	----------------------	--------------	--------------------------	-----------------------	-----------

FIND NO.	DRAWING NO.	DESCRIPTION	TYPE
1	E-UA-H7202-K-0	H7202-K POWER SUPPLY ASSY	E/M
	K-PL-H7202-K-DBP	H7202-K POWER SUPPLY ASSY (PL)	E/M
	D-IC-H7202-K-DBU	H7202-K PS INTERCONNECT DIAGRAM	E/M
	C-MD-7425401-0-0	INSULATOR, SHIELD	M
	C-MD-7425494-0-0	INSULATOR, P.C. BOARD	M
	D-MD-7429572-0-DBU	COVER, TOP	M
	D-IA-7429602-0-DBU	BRACKET, P.S. HARNESS	M
	K-PL-7429602-0-DBP	BRACKET, P.S. HARNESS (PL)	M
	C-MD-7430855-0-DBU	INSULATOR, COVER	M
	A-PS-3618426-0-0	LABEL, P.S. H7202-KA	M
	A-PS-3612680-0-0	DECAL, GROUND SIGN PER 3E6	M
	A-PS-3610267-0-0	LABEL, DANGER HIGH VOLTAGE, SMOOTH	M
	A-PS-3616930-0-0	LABEL, DANGER H7170	M
	A-PS-3615087-0-0	LABEL, "DANGER-HIGH CURRENT"	M
	A-PS-1700669-0-0	CABLE ASSY, AC POWER HARNESS	E/M
	A-PS-1700671-0-0	CABLE ASSY, SIGNAL OUTPUT HARNESS	E/M
	A-PS-1700672-0-0	CABLE ASSY, DC OUTPUT HARNESS, H7202-KA	E/M
	A-PS-1700670-0-0	CABLE ASSY, DC OUTPUT HARNESS, H7202-KB	E/M
	C-IA-7011412-0-0	CHASSIS GRND CABLE	E/M
	A-SP-H7202-K-0	H7202-K ENG. SPECIFICATION	
2	E-IA-7021234-0-0	CHASSIS ASSEMBLY	M
	K-PL-7021234-0-DBP	CHASSIS ASSEMBLY (PL)	M
	D-IA-7429570-0-DBU	CHASSIS	M
	K-PL-7429570-0-DBP	CHASSIS (PL)	M
	D-MD-7429571-0-DBU	PLATE, ENC	M
3	D-IA-7021235-0-DBU	POWER CONNECTOR ASSEMBLY	E/M
	K-PL-7021235-0-DBP	POWER CONNECTOR ASSEMBLY (PL)	E/M
	D-MD-7425398-0-0	INSULATOR, POWER CONNECTOR	M
	D-IA-7424257-0-0	BRACKET, POWER CONNECTOR	M
	B-MD-7429573-0-DBU	BRACKET, EXTENSION PLATE	M
	C-IA-7018520-0-0	RETURN JUMPER	E/M
	K-PL-7018520-0-DBP	RETURN JUMPER (PL)	E/M

FIND NO.	DRAWING NO.	DESCRIPTION	TYPE
4	B-DD-H7200-0	5V POWER MODULE	E/M
5	B-DD-H7211-0	COMM POWER MODULE	E/M
6	B-DD-H7213-0	MEMORY POWER MODULE	E/M
7	A-PA-3700635-0-0	PKG POWER SUPPLY H7202-KA, KB	M
	A-PL-3700635-0-DBP	PKG POWER SUPPLY H7202-KA, KB (PL)	M

TYPE: E ELECTRICAL
M MECHANICAL
E/M ELECTRO/MECHANICAL



TITLE: H7202-K POWER SUPPLY

SHEET 3 OF 3

SIZE CODE
B DD

NUMBER
H7202-K-DBU

REV.
B

LINE	ITEM	TOP DOCUMENT	PART NUMBER	MIN REV	DESCRIPTION	QTY PER VARIATION	
						KA	KB
						A1	A2
1	1	B-DD-H7200-0	H7200-00		5V POWER MODULE: 5V 70A,300V 200	1	1
2	2	B-DD-H7211-0	H7211-00		COMM OPT PS: +15V 2A,-15V 3A,+12	1	1
3	3	B-DD-H7213-0	H7213-00		MEMORY & FAN REGULATOR: 5.1V 15A	1	-
4	4	A-PS-1223219-0-0	1223219-01		PCB HEADER 06PIN(1X06).156CC	2	1
5	5	A-PS-1700669-0-0	1700669-01	A	WIRE HARN ASSY 16AWG MAT	1	1
6	6	A-PS-1700671-0-0	1700671-01	A	CABLE ASSY,SIGNAL OUTPUT HARNESS	1	1
7	7	A-PS-1700670-0-0	1700670-01	A	CABLE ASSY,DC OUTPUT HARNESS	-	1
8	8	A-PS-1700672-0-0	1700672-01	A	CABLE ASSY,DC OUTPUT HARNESS	1	-
9	9	E-IA-7021234-0-0	7021234-01		CHASSIS ASSY.	1	1
10	10	D-IA-7021235-0-0	7021235-01		POWER CONNECTOR ASSY.	1	1
11	11	C-IA-7011412-0-0	7011412-01		CHASSIS GRND CABLE BA11-K	1	1
12	12	C-MD-7425401-0-0	7425401-00		INSULATOR,SHIELD	1	1
13	13	C-MD-7425494-0-0	7425494-00		INSULATOR,P.C.BOARD	2	2
14	14	D-MD-7429572-0-DBU	7429572-01		COVER, TOP	1	1
15	15	D-IA-7429602-0-DBU	7429602-01		BRACKET,P.S. HARNESS	1	1
16	16	C-MD-7430855-0-DBU	7430855-01		INSULATOR,COVER	1	1
17	17		9006565-00		NUT,HEX EXT TOOTH LCKWSHR 10-32	2	2
18	18		9009643-03		SCREW,SEMS PAN PHIL 4-	4	4
19	19		9009984-00		SCREW,SEMS PAN PHIL 6-	10	10
20	20		9009990-00		NUT,HEX EXT TOOTH LCKWSHR 4-40	2	2
21	21		9000049-28	B	SCREW,SEMS PAN PHIL 8-	4	4
22	22		9007035-00		GROMMET,CATERPILLAR POLYAMIDE	6	6
23	23		9009157-00		ADH,LIQ.RM.TEMP CURING COLORLESS	A/R	A/R
24	24		9007651-00	B	WASHER,LOCK EXTERNAL STEEL	1	1
25	25	A-PS-3618426-0-0	3618426-05	A	LABEL,P.S. H7202-KA	1	-
26	26	A-PS-3618426-0-0	3618426-06		LABEL,P.S. H7202-KB	-	1
27	27	A-PS-3612680-0-0	3612680-00		LABEL,GROUND SYMBOL BLACK	1	1
28	28		9009255-03	B	LABEL,P.S./SUB.ASSY ID	1	1
29	29	A-PS-3610267-0-0	3610267-02	A	LABEL,DANGER HIGH VOLTAGE,SMOOTH	1	1
30	30	A-PS-3616930-0-0	3616930-01		LABEL,DANGER H7170	1	1

REVISION HISTORY		BASIC PART NO: H7202		DRN: R. STREEPER	DATE: 25-AUG-83	D I G I T A L	
ENG	ECO NUMBER	REV	SECTION A OF A	CHK'D: D. HEALY	DATE: 12-NOV-84	TITLE PARTS LIST	
---	INITIAL	A	SECTION VARIATION INDEX			H7202-K POWER SUPPLY	
NC	H7202-K-TW001	B	[A]KA,KB	DES.ENG: W. KERCHNER	DATE: 12-NOV-84	DOCUMENT NUMBER	
			[B]			SIZE	CODE
			[C]	RESP.ENG.: W. KERCHNER	DATE: 12-NOV-84	NUMBER	
			[D]			K	PL
			[E]	MFG.ENG.: J. VELILLA	DATE: 12-NOV-84	H7202-K-DBP	
			[F]	ASSEMBLY NUMBER:	TOP DOCUMENT NUMBER:	FILE NAME:	EDIT #
				E-UA-H7202-K-0	B-DD-H7202-K-DBU	Z7781B.PLS	25

"THIS DRAWING AND THE SPECIFICATIONS CONTAINED HEREIN ARE CONFIDENTIAL AND PROPRIETARY. THEY ARE THE PROPERTY OF DIGITAL EQUIPMENT CORPORATION AND SHALL NOT BE REPRODUCED OR COPIED OR USED IN WHOLE OR IN PART AS THE BASIS FOR THE MANUFACTURE OR SALE OF ITEMS WITHOUT WRITTEN PERMISSION. THIS IS AN UNPUBLISHED WORK PROTECTED UNDER THE FEDERAL COPYRIGHT LAWS."

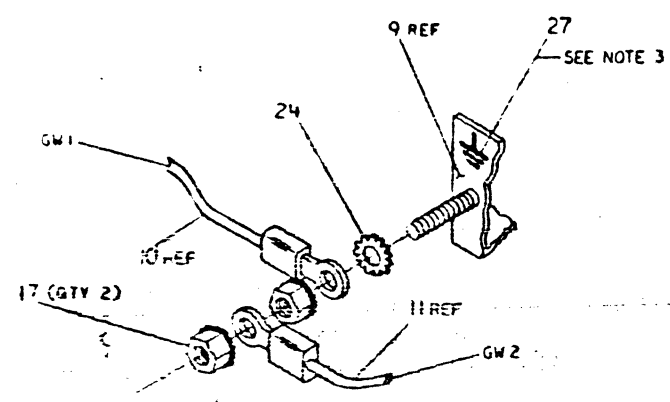
LINE	ITEM	TOP DOCUMENT	PART NUMBER	MIN REV	DESCRIPTION	QTY PER VARIATION	
						KA	KB
						VARIATION REVISION LEVEL:	
						A1	A2
31	31	A-PS-3615087-0-0	3615087-03	D	LABEL, "DANGER-HIGH CURRENT"	1	1
32	32	A-PA-3700635-0-0	3700635-08		PKG P/S H7202-KA/KB INTERPLANT	1	1
33	33	C-MD-7432177-0-DBU	7432177-01		SUPPORT,CONNECTOR	-	1
34	34	A-PS-9009643-0-0	9009643-02		SCREW,SEMS PAN PHIL	4-	1

35 NOTE: QUANTITY FOR ITEM 22 IS IN INCHES.

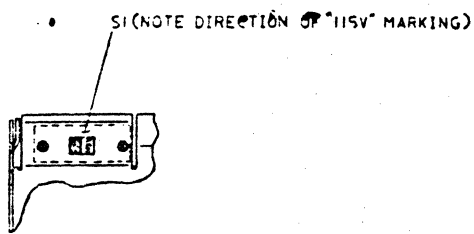
36 NOTE: ITEM 32 IS BULK PACKAGE (48 UNITS) FOR INDIVIDUAL PKG USE 3700635-07, QTY 1 EACH

D	I	G	I	T	A	L	TITLE	H7202-K POWER SUPPLY	SECTION A	OF A	SIZE	CODE	DOCUMENT NUMBER	REV
											K	PL	H7202-K-DBP	B

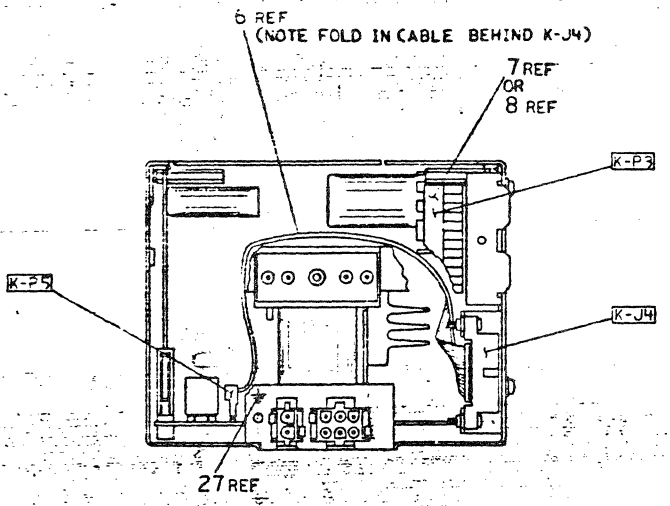
ALL DIMENSIONS ARE UNLESS OTHERWISE SPECIFIED IN INCHES AND DECIMALS THEREOF. DIMENSIONS ARE TO BE TAKEN TO THE CENTER OF HOLES UNLESS OTHERWISE SPECIFIED. DIMENSIONS ARE TO BE TAKEN TO THE CENTER OF HOLES UNLESS OTHERWISE SPECIFIED.



DETAIL C
SEE SH 1
SCALE 2/1

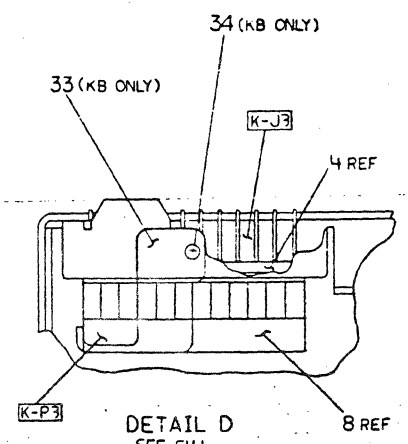


VIEW B-B
SEE SH 1



(PARTIAL VIEW SHOWING SIGNAL HARNESS (ITEM 6) PLACEMENT)

VIEW A-A
SEE SH 1
SEE NOTE 2

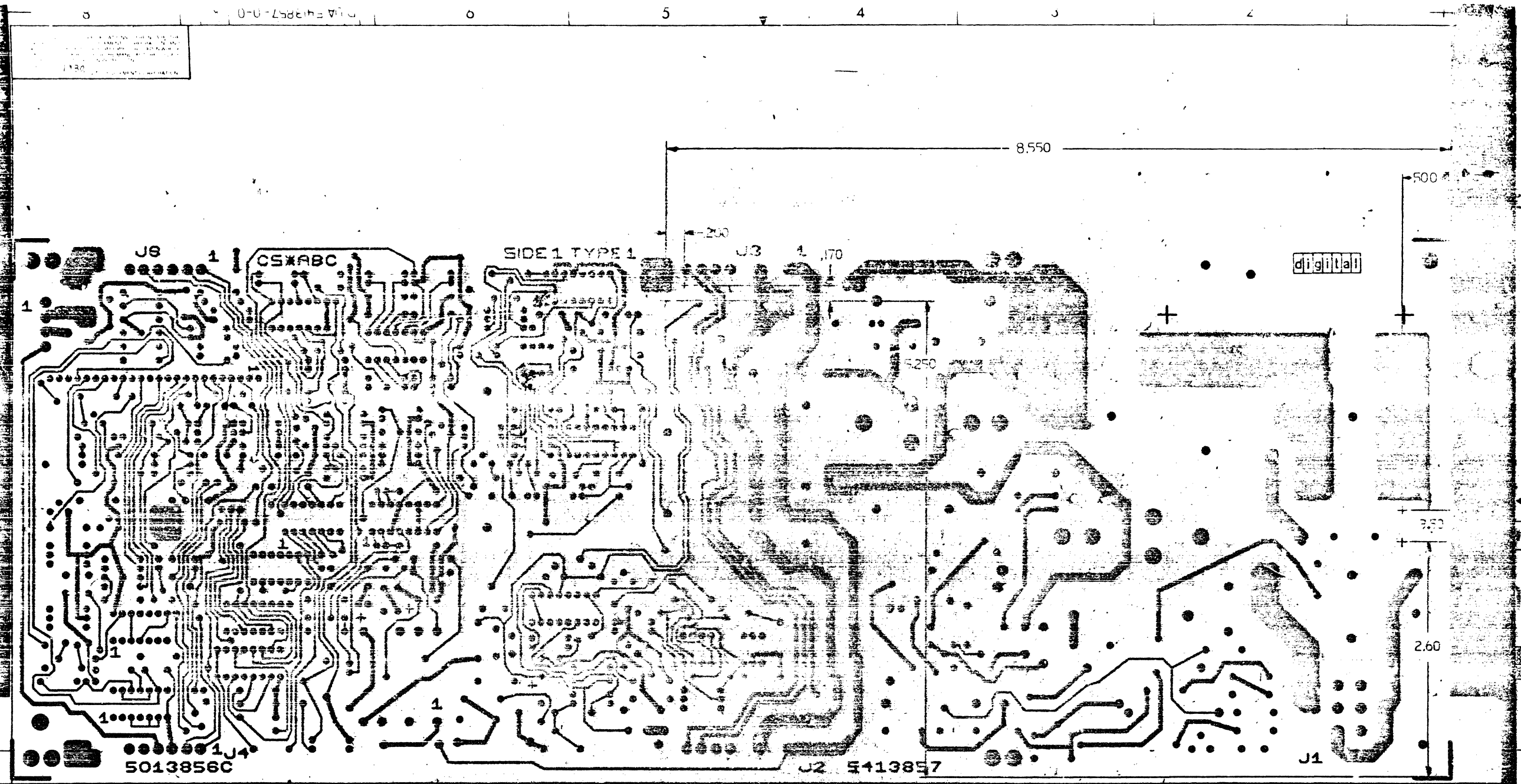


DETAIL D
SEE SH 1
SCALE 2/1
ROTATED 90° CCW

REVISION HISTORY		
DATE	ECO NUMBER	REV

TITLE H7202-K
POWER SUPPLY

DOCUMENT NUMBER EJA H7202-K-0 9
SCALE 1/1 SHEET 2 OF 2



U/L APPVL REQD
 NOTES CONT FROM SH1 I
 NOTES: B. RAISE R3, R4, R7, R8, R11, R63
 .2" TO .3" OFF P.C. BOARD.

DIMENSIONAL TOLERANCE, INCHES .XXX = ±.020

REVISION HISTORY			
DATE	ECO NUMBER	REV	
11/1/65	5413857-TWO06	H	
	5413857-TWO07	J	5413857 - TWO11 K
		D. GARDNER	1-10-65 D. GERRY 17-JUL-65
		R. WOLF	R. WOLF
		R. WOLF	13-AUG-65

TITLE
 H7200 MAJOR BOARD

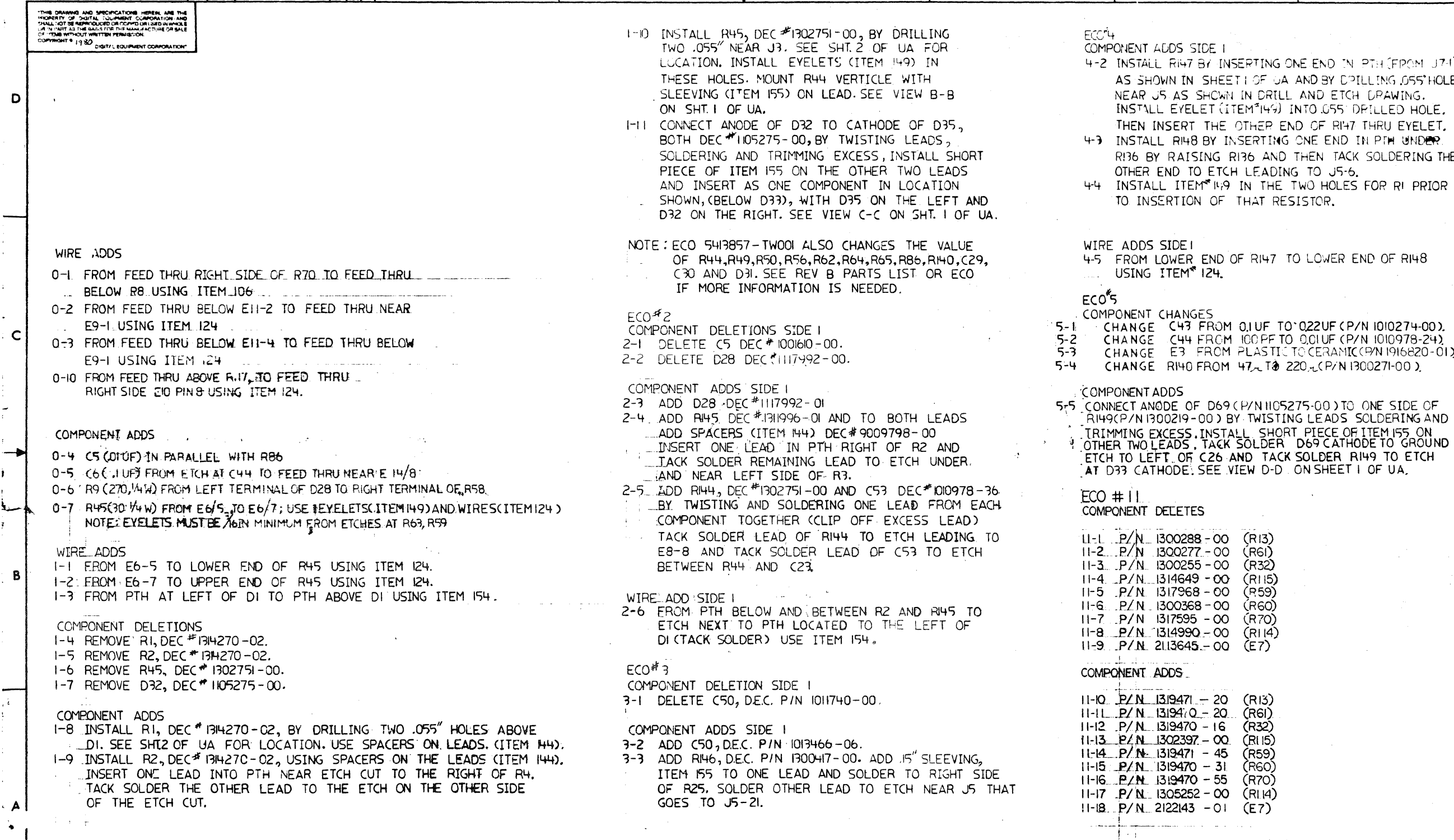
DOCUMENT NUMBER		
SIZE	CODE	NUMBER
D	U	5-13857-0-0
SCALE	2/1	SHEET 2 OF 3

8 7 6 5 4 3 2 1

DUA 5-13857-0-0

THIS DRAWING AND SPECIFICATIONS HEREIN ARE THE PROPERTY OF DIGITAL EQUIPMENT CORPORATION AND SHALL NOT BE REPRODUCED OR COPIED OR USED IN WHOLE OR IN PART AS THE BASIS FOR THE MANUFACTURE OR SALE OF THIS WITHOUT WRITTEN PERMISSION. COPYRIGHT © 1980 DIGITAL EQUIPMENT CORPORATION

0-0-159815-00



WIRE ADDS

- 0-1 FROM FEED THRU RIGHT SIDE OF R70 TO FEED THRU BELOW R8 USING ITEM 106
- 0-2 FROM FEED THRU BELOW E11-2 TO FEED THRU NEAR E9-1 USING ITEM 124
- 0-3 FROM FEED THRU BELOW E11-4 TO FEED THRU BELOW E9-1 USING ITEM 124
- 0-10 FROM FEED THRU ABOVE R17 TO FEED THRU RIGHT SIDE E10 PIN 8 USING ITEM 124

COMPONENT ADDS

- 0-4 C5 (010F) IN PARALLEL WITH R86
- 0-5 C6 (.10UF) FROM ETCH AT C44 TO FEED THRU NEAR E14/8
- 0-6 R9 (270, 1/4W) FROM LEFT TERMINAL OF D28 TO RIGHT TERMINAL OF R58
- 0-7 R45 (30, 1/4W) FROM E6/5 TO E6/7; USE EYELETS (ITEM 149) AND WIRES (ITEM 124)
NOTE: EYELETS MUST BE 1/16" IN MINIMUM FROM ETCHES AT R63, R59

WIRE ADDS

- 1-1 FROM E6-5 TO LOWER END OF R45 USING ITEM 124
- 1-2 FROM E6-7 TO UPPER END OF R45 USING ITEM 124
- 1-3 FROM PTH AT LEFT OF D1 TO PTH ABOVE D1 USING ITEM 154

COMPONENT DELETIONS

- 1-4 REMOVE R1, DEC #1314270-02.
- 1-5 REMOVE R2, DEC #1314270-02.
- 1-6 REMOVE R45, DEC #1302751-00.
- 1-7 REMOVE D32, DEC #1105275-00.

COMPONENT ADDS

- 1-8 INSTALL R1, DEC #1314270-02, BY DRILLING TWO .055" HOLES ABOVE D1. SEE SHT 2 OF UA FOR LOCATION. USE SPACERS ON LEADS. (ITEM 144).
- 1-9 INSTALL R2, DEC #1314270-02, USING SPACERS ON THE LEADS (ITEM 144). INSERT ONE LEAD INTO PTH NEAR ETCH CUT TO THE RIGHT OF R4. TACK SOLDER THE OTHER LEAD TO THE ETCH ON THE OTHER SIDE OF THE ETCH CUT.

- 1-10 INSTALL R45, DEC #1302751-00, BY DRILLING TWO .055" NEAR J3. SEE SHT. 2 OF UA FOR LOCATION. INSTALL EYELETS (ITEM 149) IN THESE HOLES. MOUNT R44 VERTICLE WITH SLEEVING (ITEM 155) ON LEAD. SEE VIEW B-B ON SHT. 1 OF UA.
- 1-11 CONNECT ANODE OF D32 TO CATHODE OF D35, BOTH DEC #1105275-00, BY TWISTING LEADS, SOLDERING AND TRIMMING EXCESS, INSTALL SHORT PIECE OF ITEM 155 ON THE OTHER TWO LEADS AND INSERT AS ONE COMPONENT IN LOCATION SHOWN, (BELOW D33), WITH D35 ON THE LEFT AND D32 ON THE RIGHT. SEE VIEW C-C ON SHT. 1 OF UA.

NOTE: ECO 5413857-TW001 ALSO CHANGES THE VALUE OF R44, R49, R50, R56, R62, R64, R65, R86, R140, C29, C30 AND D31. SEE REV B PARTS LIST OR ECO IF MORE INFORMATION IS NEEDED.

ECO #2

- COMPONENT DELETIONS SIDE 1
- 2-1 DELETE C5 DEC #1001610-00.
 - 2-2 DELETE D28 DEC #1117492-00.

COMPONENT ADDS SIDE 1

- 2-3 ADD D28 DEC #1117992-01
- 2-4 ADD R45, DEC #1311996-01 AND TO BOTH LEADS ADD SPACERS (ITEM 144) DEC #9009798-00 INSERT ONE LEAD IN PTH RIGHT OF R2 AND TACK SOLDER REMAINING LEAD TO ETCH UNDER AND NEAR LEFT SIDE OF R3.
- 2-5 ADD R144, DEC #1302751-00 AND C53 DEC #1010978-36 BY TWISTING AND SOLDERING ONE LEAD FROM EACH COMPONENT TOGETHER (CLIP OFF EXCESS LEAD) TACK SOLDER LEAD OF R144 TO ETCH LEADING TO E8-8 AND TACK SOLDER LEAD OF C53 TO ETCH BETWEEN R44 AND C23.

WIRE ADD SIDE 1

- 2-6 FROM PTH BELOW AND BETWEEN R2 AND R45 TO ETCH NEXT TO PTH LOCATED TO THE LEFT OF D1 (TACK SOLDER) USE ITEM 154.

ECO #3

- COMPONENT DELETION SIDE 1
- 3-1 DELETE C50, DEC. P/N 1011740-00.

COMPONENT ADDS SIDE 1

- 3-2 ADD C50, DEC. P/N 1013466-06.
- 3-3 ADD R146, DEC. P/N 1300417-00. ADD .15" SLEEVING, ITEM 155 TO ONE LEAD AND SOLDER TO RIGHT SIDE OF R25. SOLDER OTHER LEAD TO ETCH NEAR J5 THAT GOES TO J5-21.

ECO #4

- COMPONENT ADDS SIDE 1
- 4-2 INSTALL R147 BY INSERTING ONE END IN PTH (FROM J7-1) AS SHOWN IN SHEET 1 OF UA AND BY DRILLING .055" HOLE NEAR J5 AS SHOWN IN DRILL AND ETCH DRAWING. INSTALL EYELET (ITEM 149) INTO .055" DRILLED HOLE. THEN INSERT THE OTHER END OF R147 THRU EYELET.
 - 4-3 INSTALL R148 BY INSERTING ONE END IN PTH UNDER R136 BY RAISING R136 AND THEN TACK SOLDERING THE OTHER END TO ETCH LEADING TO J5-6.
 - 4-4 INSTALL ITEM #149 IN THE TWO HOLES FOR R1 PRIOR TO INSERTION OF THAT RESISTOR.

WIRE ADDS SIDE 1

- 4-5 FROM LOWER END OF R147 TO LOWER END OF R148 USING ITEM #124.

ECO #5

- COMPONENT CHANGES
- 5-1 CHANGE C43 FROM 0.1UF TO .022UF (P/N 1010274-00).
 - 5-2 CHANGE C44 FROM 100PF TO 0.01UF (P/N 1010978-24)
 - 5-3 CHANGE E3 FROM PLASTIC TO CERAMIC (P/N 1916820-01)
 - 5-4 CHANGE R140 FROM 47K TO 220K (P/N 1300271-00).

COMPONENT ADDS

- 5-5 CONNECT ANODE OF D69 (P/N 1105275-00) TO ONE SIDE OF R149 (P/N 1300219-00) BY TWISTING LEADS SOLDERING AND TRIMMING EXCESS. INSTALL SHORT PIECE OF ITEM 155 ON OTHER TWO LEADS. TACK SOLDER D69 CATHODE TO GROUND ETCH TO LEFT OF C26 AND TACK SOLDER R149 TO ETCH AT D33 CATHODE. SEE VIEW D-D ON SHEET 1 OF UA.

ECO #11

COMPONENT DELETES

- 11-1 P/N 1300288-00 (R13)
- 11-2 P/N 1300277-00 (R61)
- 11-3 P/N 1300255-00 (R32)
- 11-4 P/N 1314649-00 (R115)
- 11-5 P/N 1317968-00 (R59)
- 11-6 P/N 1300368-00 (R60)
- 11-7 P/N 1317595-00 (R70)
- 11-8 P/N 1314990-00 (R14)
- 11-9 P/N 2113645-00 (E7)

COMPONENT ADDS

- 11-10 P/N 1319471-20 (R13)
- 11-11 P/N 1319470-20 (R61)
- 11-12 P/N 1319470-16 (R32)
- 11-13 P/N 1302397-00 (R115)
- 11-14 P/N 1319471-45 (R59)
- 11-15 P/N 1319470-31 (R60)
- 11-16 P/N 1319470-55 (R70)
- 11-17 P/N 1305252-00 (R14)
- 11-18 P/N 2122143-01 (E7)

REVISION HISTORY		
DATE	ECO NUMBER	REV

DOCUMENT NUMBER			
SIZE	CODE	NUMBER	REV
D	UA	5413857-0-0	K
SCALE		SHEET 3 OF 3	

LINE	ITEM	TOP DOCUMENT	PART NUMBER	MIN REV	DESCRIPTION	VARIATION	REVISION LEVEL	QTY	PER VARIATION	REFERENCE DESIGNATOR
								00		
								K2		
1	1	D-MD-5013856-0-0	5013856-00		DRILL + ETCH BRD			1		
2	2		1000012-00		56.0 MMF	100V	5%200PPM MICA	1		C15
3	3		1013466-06		100.0 MMF	50V	5% CER	1		C47
4	4		1010978-24		.01 MFD	50V	10% CER	2		C46,C44
5	5		1001765-00		.005 MFD	100V	20% Z5T DISC	4		C9,C13,C16,C19
6	6		1018000-00		2.2MFD	50V	+50-10% AL EL	2		C18,C22
7	7		1010274-00		.22 MFD	50V	+80-20% Z5U CER	2		C21,C43
8	8		1010978-36		.1 MFD	50V	10% CER	12		C14,C24,C34,C35,C40-C42,C45,C6,
									CONT	C51,C17,C53
9	9		1011847-01		.01 MFD	400V	10% POLYPROP	1		C36
10	10		1011847-03		.0047 MFD	600V	10% POLYPROP	2		C3,C4
11	11		1012784-00		.047 MFD	50V	+80-20% CER	1		C10
12	12		1010274-02		1 MFD	50V	+80-20% CER	1		C27
13	13		1015755-00		.047 MFD	270V	20% POLYPROP	1		C11
14	14		1000009-00		33.0 MMF	100V	5%200PPM MICA	1		C39
15	15		1014169-00		1000.0 MMF	100V	1%200PPM MICA	2		C23,C26
16	16		1011740-00		5600.0 MMF	50V	10% CER	1		C28
17	17		1018000-01		15 MFD	25V	+50-10% AL EL	2		C20,C33
18	18		1018001-00		100 MFD	20V	+100-10% AL EL	1		C32
19	19		1000024-00		470.0 MMF	100V	5%200PPM MICA	1		C49
20	20		1011740-05		1000.0 MMF	50V	10% CER	1		C37
21	21		1000055-00		2200.0 MMF	250V	20% Y5S DISC	1		C48
22	22		1018929-00		330.0 MMF	1000V	5% 70PPM MIC	1		C30
23	23		1018001-01		15 MFD	60V	+100-10% AL EL	1		C31
24	24		1012783-00		.022 MFD	50V	+80-20% CER	2		C12,C29
25	25		1010978-40		.22 MFD	50V	10% CER	1		C52
26	26		1117992-01		DIAC, NOM=	28		1		D28
27	27		1110968-00		SCR PIV=	100 IO=	.80A 2N5062	1		D29
28	28		1105275-00		PIV=	60 IO=	300 MA -15NS	36		D18,D22-D27,D32,D33,D41-D65,D35,
									CONT	D69

REVISION HISTORY			BASIC PART NO: 5413857			DRN: J. FERGUSON			DATE: 16-NOV-81			D I G I T A L		
ENG	ECO NUMBER	REV	SECTION A OF A			CHK'D: K. SHEYTANIAN			DATE: 16-NOV-81			TITLE PARTS LIST		
---	INITIAL	B	SECTION VARIATION INDEX			DES.ENG: C. LANDINO			DATE: 16-NOV-81			DOCUMENT NUMBER		
CL	5413857-TW002	C	[A]	00										
BS	5413857-TW003	D	[B]											
BS	5413857-TW004	E	[C]											
RW	5413857-TW005	F	[D]											
BS	5413857-TW006	H	[E]											
RW	5413857-TW007	J	[F]											
RW	5413857-TW010	K	[H]											
RW	5413857-TW011	L	[J]											
			[K]											
			[L]											
			[M]											
			[N]											
			ASSEMBLY NUMBER:			TOP DOCUMENT NUMBER:			FILE NAME:			EDIT #		
			D-UA-5413857-0-0			B-DD-5413857-0-0			Z1310L.PLS			21		

"THIS DRAWING AND THE SPECIFICATIONS CONTAINED HEREIN ARE CONFIDENTIAL AND PROPRIETARY. THEY ARE THE PROPERTY OF DIGITAL EQUIPMENT CORPORATION AND SHALL NOT BE REPRODUCED OR COPIED OR USED IN WHOLE OR IN PART AS THE BASIS FOR THE MANUFACTURE OR SALE OF ITEMS WITHOUT WRITTEN PERMISSION. THIS IS AN UNPUBLISHED WORK PROTECTED UNDER THE FEDERAL COPYRIGHT LAWS."

LINE	ITEM	TOP DOCUMENT	PART NUMBER	MIN REV	DESCRIPTION	VARIATION REVISION LEVEL:	QTY PER VARIATION	REFERENCE DESIGNATOR
							00 K2	
29	29		1112594-02		PIV= 600 IO= 3.00A		2	D2,D3
30	30		1112595-01		PIV= 200 IO= 1.00A	AXIAL	11	D14-D16,D19-D21,D34,D37-D40
31	31		1114245-00		RECT. ASSY PIV= 600 IO=30.00A		1	D1
32	32		1112595-02		PIV= 600 IO= 1.00A	AXIAL	4	D8,D9,D13,D30
33	33		1117061-00		THYRISTOR, VDRM= 25	MC	1	D17
34	34		1105796-01		PIV= 400 IO= 1.00A	DO-41	4	D4-D7
35	35		1110994-00		VZ= 5.1 5% 400 MW 1N751A		1	D68
36	36		1100113-00		D 662 OS 600PCB(STABISTOR)		2	D66,D67
37	37		1212297-02		MATE-N-LOK 09PIN(2X05).250CC HDR		1	J1
38	38		1218241-01		PCB HEADER 06 PIN(1X08).156CC ST		2	J2,J3
39	39		1216122-08		PCB,HEADER 06PIN(1X06).156CC KEY		2	J4,J6
40	40		1212518-04		PCB,HEADER 24POS(1X24).100CC STR		1	J5
41	41		1214789-00		INSERT,THREAD		4	
42	42		1217304-00		HEAT SINKS, 01.63X01.2		2	
43	43		1216122-00		PCB,HEADER 04PIN(1X04).156CC KEY		1	J7
44	44		1214809-01		INSERT,W/O INTERNAL THREADS,THRU		4	
45	45		1214809-03		INSERT,W/O INTERNAL THREADS,THRU		3	
46	46		1300202-00		47.0 .25 W 5.0 %	CF	4	R35,R36,R74,R62
47	47		1300229-00		100.0 .25 W 5.0 %	CF	2	R58,R104
48	48		1311337-00		56.0 5.0 W 5.0 %	WW	1	R11
49	49		1319471-20		270.0 2.0 W 5.0 %	M.OXIDE	1	R13
50	50		1300365-00		1.0 K .25 W 5.0 %	CF	4	R18,R25,R47,R119
51	51		1313469-00		240.0 .25 W 5.0 %	CF	1	R29
52	52		1303313-00		12.10 K .25 W 1.0 %	RN55D-F10	2	R26,R46
53	53		1300447-00		4.70 K .25 W 5.0 %	CF	5	R40,R96,R116,R120,R126
54	54		1300479-00		10.0 K .25 W 5.0 %	CF	8	R87,R117,R123,R127,R133,R134, CONT R136,R71
55	55		1300496-00		15.0 K .25 W 5.0 %	CF	4	R41,R118,R125,R142
56	56		1301317-00		10.0 .25 W 5.0 %	CF	3	R19,R20,R148
57	57		1301422-00		7.50 K .25 W 5.0 %	CF	3	R38,R138,R73
58	58		1301775-00		820.0 .25 W 5.0 %	CF	3	R30,R97,R121
59	59		1302466-00		100.0 K .25 W 5.0 %	CF	3	R124,R128,R130
60	60		1319470-20		220.0 1.0 W 5.0 %	M.OXIDE	1	R61
61	61		1302612-00		1.78 K .25 W 1.0 %	RN55D-F10	1	R84
62	62		1302177-00		47.0 K .25 W 5.0 %	CF	10	R37,R89,R90,R105-R107,R111-R113, CONT R131
63	63		1302377-00		39.0 .25 W 5.0 %	CF	1	R31
64	64		1302398-00		470.0 K .25 W 5.0 %	CF	2	R93,R108
65	65		1302514-00		39.0 K .25 W 5.0 %	CF	1	R39
66	66		1302645-00		1.10 K .25 W 1.0 %	RN55D-F10	1	R34
67	67		1303114-00		1.0 K .25 W 1.0 %	RN55D-F10	7	R16,R21-R24,R33,R57
68	68	BLANK			*** THIS ITEM IS NOT USED ***		-	
69	69		1313476-00		51.10 K .25 W 1.0 %	RN55D-F10	1	R85
70	70		1305516-00		128.0 K .25 W .10%	RN55E-B 2	1	R80
71	71		1309963-00		260.0 5.0 W 3.0 %	WW	2	R7,R8
72	72		1312546-00		16.50 K .25 W 1.0 %	RN55D-F10	1	R75
73	73		1312932-00		36.0 K .25 W 5.0 %	CF	1	R42
74	74		1311320-00		90.90 K .25 W 1.0 %	RN55D-F10	1	R48

D	I	G	I	T	A	L	TITLE	H7200 MAJOR BOARD	SECTION A	OF A	SIZE	CODE	DOCUMENT NUMBER	REV
											K	PL	5413857-0-DBP	L

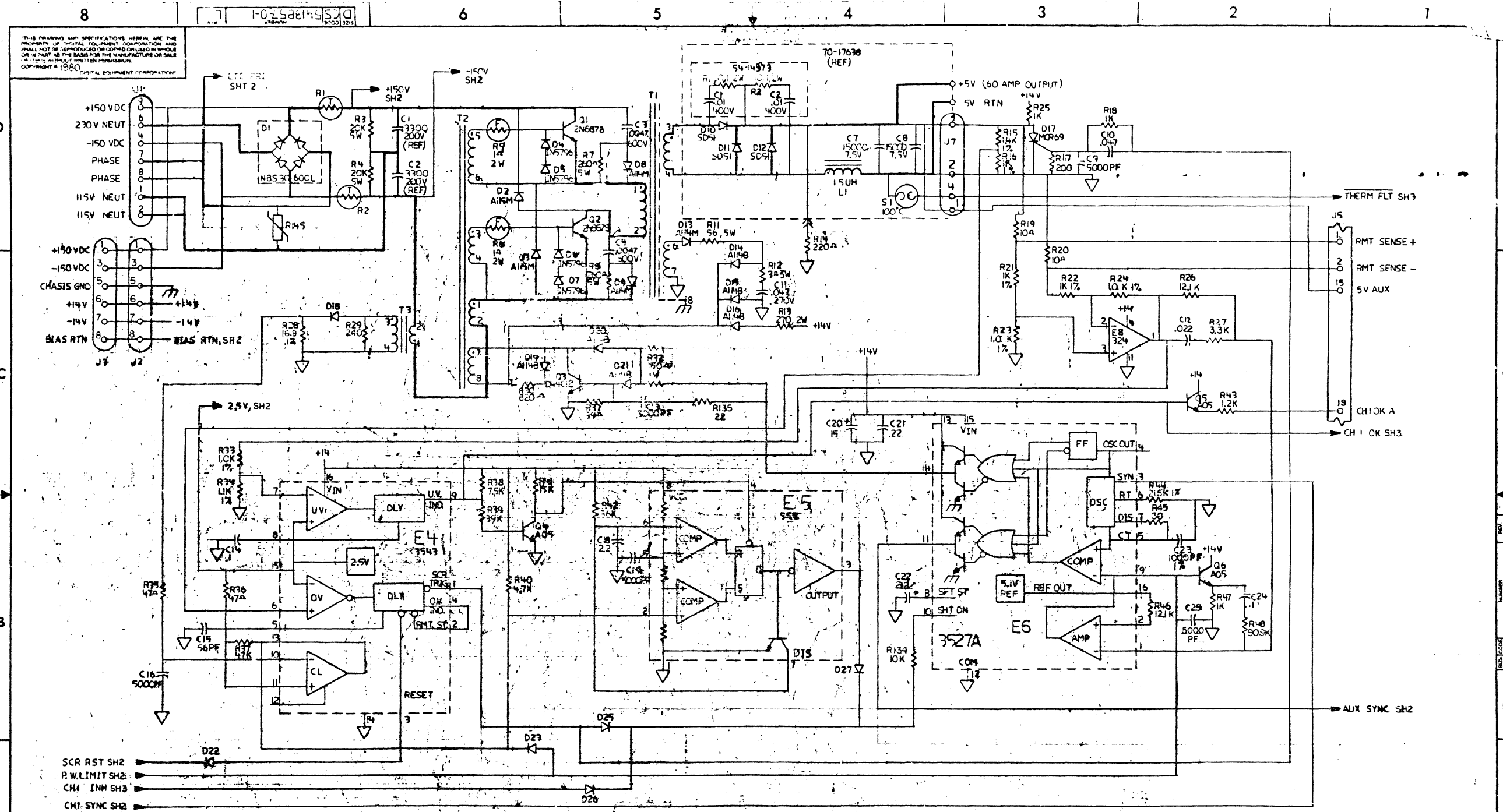
LINE	ITEM	TOP DOCUMENT	PART NUMBER	MIN REV	DESCRIPTION	QTY PER VARIATION	REFERENCE DESIGNATOR
					VARIATION REVISION LEVEL:	00	
						K2	
75	75		1313752-00	15.0 K	.25 W 1.0 % RN55D-F10	1	R86
76	76		1314088-00	20.0 K	5.0 W 5.0 % WW	2	R3,R4
77	77		1316444-00	150.0 K	.25 W 1.0 % RN55D-F10	1	R77
78	78		1314350-00	1.0	2.0 W10.0 % FUSE	2	R5,R6
79	79		1318150-46	16.90	.25 W 1.0 % RN55D-F10	1	R28
80	80		9006656-00		WASHER,FLAT STEEL	2	
81	81		1319470-16	150.0	1.0 W 5.0 % M.OXIDE	1	R32
82	82		1300488-00	12.0 K	.25 W 5.0 % CF	2	R67,R91
83	83		1300417-00	2.20 K	.25 W 5.0 % CF	4	R94,R95,R141,R146
84	84		1301320-00	1.20 K	.25 W 5.0 % CF	1	R43
85	85		1311522-00	200.0	.25 W 5.0 % CF	2	R17,R88
86	86		1314119-00	44.20 K	.25 W 1.0 % RN55D-F10	1	R78
87	87		1313596-00	20.0 K	.25 W 1.0 % RN55D-F10	1	R51
88	88		1301972-00	270.0	.25 W 5.0 % CF	2	R9,R147
89	89		1305346-00	27.0 K	.25 W 5.0 % CF	8	R98-R103,R109,R110
90	90		1302397-00	180.0 K	.25 W 5.0 % CF	1	R115
91	91		1317522-00	1.0	.25 W 5.0 % CF	1	R76
92	92		1300439-00	3.30 K	.25 W 5.0 % CF	1	R27
93	93		1300271-00	220.0	.25 W 5.0 % CF	4	R14,R132,R143,R140
94	94		1314270-02	2.50	25.0 % NTC THERM	2	R1,R2
95	95		1303155-00	21.50 K	.25 W 1.0 % RN55D-F10	2	R79,R44
96	96		1319471-45	150.0 K	2.0 W 5.0 % M.OXIDE	1	R59
97	97		1319470-31	1.0 K	1.0 W 5.0 % M.OXIDE	1	R60
98	98		1319470-55	270.0 K	1.0 W 5.0 % M.OXIDE	1	R70
99	99		1315052-00	500.0	5.0 W 5.0 % WW	1	R63
100	100		1303312-00	10.0 K	.25 W 1.0 % RN55D-F10	1	R53
101	101		1314252-00	130.0 K	.25 W 1.0 % RN55D-F10	1	R52
102	102		1312682-00	3.0	3.0 W 5.0 % WW	1	R12
103	103		1315518-02	10.0	1.0 W10.0 % FUSE	1	R49
104	104		1305252-00	68.10 K	.25 W 1.0 % RN55D-F10	1	R114
105	105		1313589-00	1.40 K	.25 W 1.0 % RN55D-F10	1	R15
106	106		9107688-55		WIRE(WRAP) 24AWG KYNAR UL13	A/R	
107	107		1302388-00	2.0 K	.25 W 5.0 % CF	1	R92
108	108		1301969-00	22.0	.25 W 5.0 % CF	1	R135
109	109		1302751-00	30.0	.25 W 5.0 % CF	2	R45,R144
110	110		1304841-00	75.0 K	.25 W 5.0 % CF	1	R139
111	111		1301423-00	6.80 K	.25 W 5.0 % CF	1	R66
112	112		1302394-00	30.0 K	.25 W 5.0 % CF	1	R68
113	113		1303045-00	3.16 K	.25 W 1.0 % RN55D-F10	1	R82
114	114		1302859-00	5.76 K	.25 W 1.0 % RN55D-F10	1	R56
115	115		1303044-00	100.0 K	.25 W 1.0 % RN55D-F10	1	R83
116	116		1309414-00	9.76 K	.25 W 1.0 % RN55D-F10	1	R81
117	117		1510705-00	XA 05	NPN 500MW SI 60 50 P	6	Q4-Q6,Q8,Q11,Q18
118	118		1510706-00	XA 55	PNP 500MW SI 60 50 P	5	Q9,Q10,Q12,Q17,Q19
119	119		1511686-01		FET N 350MW T0-92	3	Q13,Q14,Q16
120	120		1517365-00	2N 6678	NPN 175W SI	2	Q1,Q2
121	121		1512790-00	D 44C12	NPN 30W SI	1	Q3
122	122		1517551-00	J 176	FET 350MW SI P CHNNL	1	Q15

D	I	G	I	T	A	L	TITLE	H7200 MAJOR BOARD	SECTION A	OF A	SIZE	CODE	DOCUMENT NUMBER	REV
											K	PL	5413857-0-DBP	L

LINE	ITEM	TOP DOCUMENT	PART NUMBER	MIN REV	DESCRIPTION	QTY PER VARIATION	REFERENCE DESIGNATOR
					VARIATION REVISION LEVEL:	00 K2	
123	123		1516119-00		NPN 75W SI	1	Q7
124	124		9105740-55		WIRE(WRAP) 30AWG KYNAR UL14	A/R	
125	125		1617557-00		XFMR,CURRENT RATIO 1:2:100 PC MT	1	T3
126	126		1617450-00		PULSE XFMR,RATIO 40:3,3:1	1	T2
127	127		9010265-00		SPACER,THREADED RND 6-3	6	
128	128		1911944-00		555CN TIMER,FUNCT.BLOCK	1	E5
129	129		1912107-00		324 OP AMP,QUAD	1	E8
130	130		1912108-00		339 VOLT CMPRTR,QUAD	1	E13
131	131		1914194-00		OPTP-COUPLED ISOLATOR	1	E1
132	132		1916819-00		3527A MODULATOR,REGULATING	1	E6
133	133		1917059-00		3543 P.S. SUPERVISORY C'R	1	E4
134	134		1914156-00	LM	393 VOLT.COMPARATOR DUAL	1	E2
135	135		1916820-01		3525 PULSE WIDTH MODULATO	1	E3
136	136		2113635-00		4071B OR GATE-QUAD 2IN CMO	1	E11
137	137		2113637-00		4073B AND GATE-TRIPLE 3IN	1	E12
138	138		2113612-00		4019B AND-OR SELECT GATE-Q	1	E9
139	139		2122143-01		H4538B DUAL PREC MONOSTABLE MULT	1	E7
140	140		2113644-00		4093B NAND GATE-QUAD 2IN C	2	E14,E15
141	141		2113615-00		4025UBNOR GATE-TRIPLE 3IN	1	E10
142	142		9009676-00		TERM,SOLDER BARRIER STR	2	
143	143		9007793-01		SCREW,MACH PAN PHIL 6-	4	
144	144		9009798-00		SPACER,CLEAR HOLE RND CERAM .07	6	
145	145		9009798-01		SPACER,CLEAR HOLE RND CERAM .07	2	
146	146		9007801-00		WASHER,HELICAL SPLIT SST	4	
147	147		9008268-00		COMPOUND, THERMAL JOINT	A/R	
148	148		1311996-01		VARISTOR 150VAC VOLT TRANS SUP	1	R145
149	149		9006731-00		EYELET,SERRATED TP 0.04600DX0.08	5	
150	150		1300521-00		47.50 K .25 W 1.0 % RN55D-F10	1	R50
151	151		1302379-00		75.0 .25 W 5.0 % CF	1	R64
152	152		1318864-00		1.0 1.0 W 5.0 % WW	1	R65
153	153		1115112-00		RECT,ULTRA FAST PIV= 800 IO= 1.0	1	D31
154	154		9107696-00		WIRE,SOLID 18AWG IPVC 150V 80	A/R	
155	155		9107256-11		TUBING,TEFLON .027ID	A/R	
156	156		1300295-00		330.0 .25 W 5.0 % CF	1	R137
157	157		1302391-00		20.0 K .25 W 5.0 % CF	1	R122
158	158		1300219-00		68.0 .25 W 5.0 % CF	1	R149
159	159		1013466-20		5000.0 MMF 50V 10% X7R CER	1	C25

160 NOTE: ITEM #124: .82' IS USED
 161 NOTE: ITEM #106: .33' IS USED
 162 NOTE: ITEM #154: .17' IS USED
 163 NOTE: ITEM #155: .11' IS USED

D	I	G	I	T	A	L	TITLE	H7200 MAJOR BOARD	SECTION A	OF A	SIZE	CODE	DOCUMENT NUMBER	REV
											K	PL	5413857-0-DBP	L



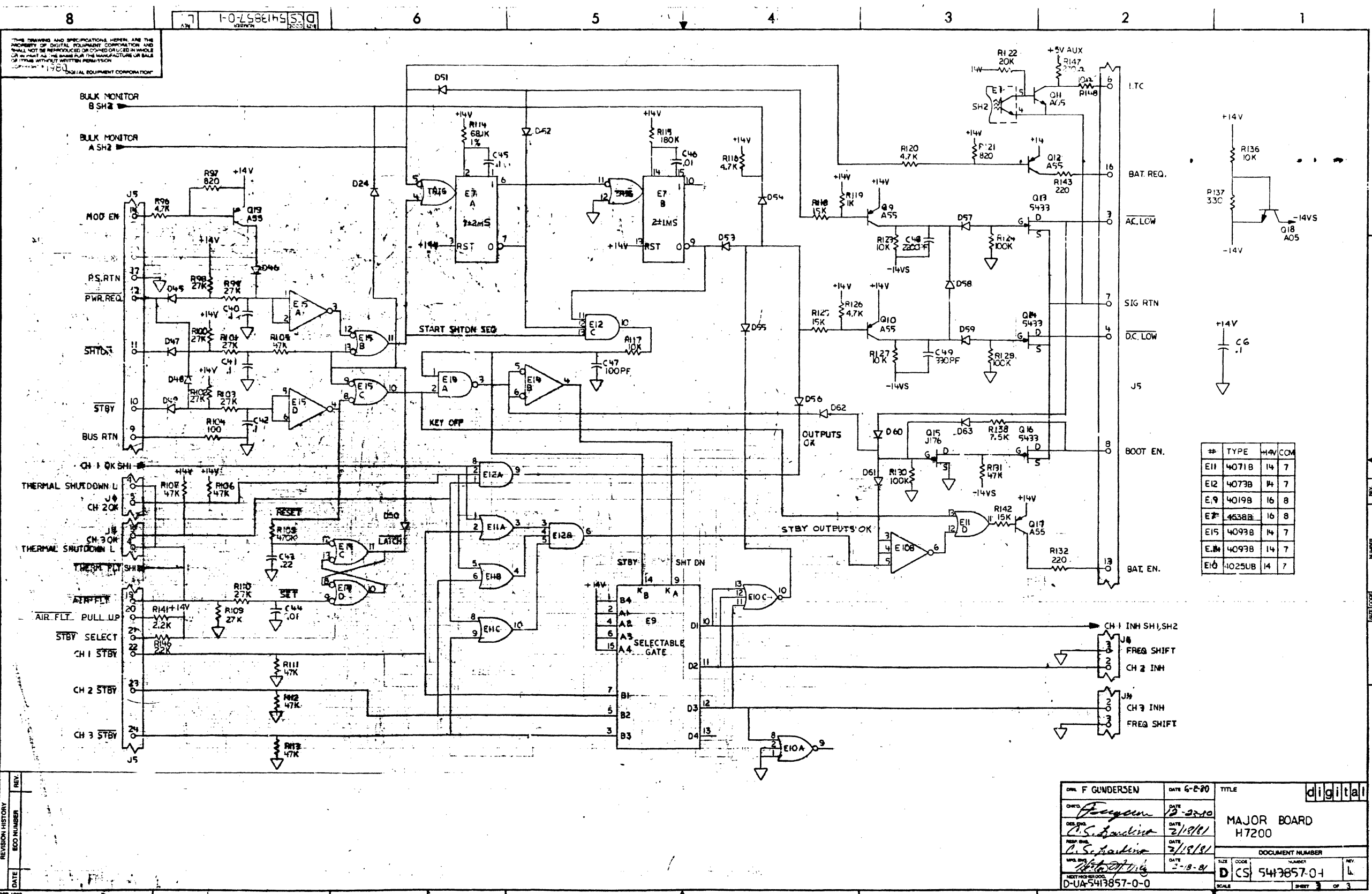
THIS DRAWING AND SPECIFICATIONS HEREAFTER ARE THE PROPERTY OF DIGITAL EQUIPMENT CORPORATION AND SHALL NOT BE REPRODUCED OR COPIED OR USED IN WHOLE OR IN PART AS THE BASIS FOR THE MANUFACTURE OR SALE OF ANY PRODUCT WITHOUT WRITTEN PERMISSION. COPYRIGHT © 1980 DIGITAL EQUIPMENT CORPORATION

DATE	REV. NO.	REV. DESCRIPTION
12-17-77	1	INITIAL DESIGN
1-17-78	2	REVISED TO ADD 5V AUX
2-14-78	3	REVISED TO ADD CH1 OK SH3
3-14-78	4	REVISED TO ADD THERM FLT SH3
4-14-78	5	REVISED TO ADD RMT SENSE +/-
5-14-78	6	REVISED TO ADD 5V RTN
6-14-78	7	REVISED TO ADD CHASIS GND
7-14-78	8	REVISED TO ADD PHASE
8-14-78	9	REVISED TO ADD 115V NEUT
9-14-78	10	REVISED TO ADD +150VDC
10-14-78	11	REVISED TO ADD -150VDC
11-14-78	12	REVISED TO ADD 230V NEUT
12-14-78	13	REVISED TO ADD +14V
1-14-79	14	REVISED TO ADD -14V
2-14-79	15	REVISED TO ADD 5V (60 AMP OUTPUT)
3-14-79	16	REVISED TO ADD 70-17638 (REF)
4-14-79	17	REVISED TO ADD 3527A
5-14-79	18	REVISED TO ADD 7543
6-14-79	19	REVISED TO ADD 324
7-14-79	20	REVISED TO ADD 2N6878
8-14-79	21	REVISED TO ADD 2N6678
9-14-79	22	REVISED TO ADD 2N6678
10-14-79	23	REVISED TO ADD 2N6678
11-14-79	24	REVISED TO ADD 2N6678
12-14-79	25	REVISED TO ADD 2N6678
1-14-80	26	REVISED TO ADD 2N6678
2-14-80	27	REVISED TO ADD 2N6678
3-14-80	28	REVISED TO ADD 2N6678
4-14-80	29	REVISED TO ADD 2N6678
5-14-80	30	REVISED TO ADD 2N6678
6-14-80	31	REVISED TO ADD 2N6678
7-14-80	32	REVISED TO ADD 2N6678
8-14-80	33	REVISED TO ADD 2N6678
9-14-80	34	REVISED TO ADD 2N6678
10-14-80	35	REVISED TO ADD 2N6678
11-14-80	36	REVISED TO ADD 2N6678
12-14-80	37	REVISED TO ADD 2N6678
1-14-81	38	REVISED TO ADD 2N6678
2-14-81	39	REVISED TO ADD 2N6678
3-14-81	40	REVISED TO ADD 2N6678
4-14-81	41	REVISED TO ADD 2N6678
5-14-81	42	REVISED TO ADD 2N6678
6-14-81	43	REVISED TO ADD 2N6678
7-14-81	44	REVISED TO ADD 2N6678
8-14-81	45	REVISED TO ADD 2N6678
9-14-81	46	REVISED TO ADD 2N6678
10-14-81	47	REVISED TO ADD 2N6678
11-14-81	48	REVISED TO ADD 2N6678
12-14-81	49	REVISED TO ADD 2N6678
1-14-82	50	REVISED TO ADD 2N6678

NOTES: UNLESS OTHERWISE SPECIFIED:
 ALL DIODES ARE D672.
 ALL CAPACITOR VALUES ARE IN MICROFARADS. ALL RESISTOR VALUES ARE IN OHMS.

DESIGNED BY: F. GUNDERSEN	DATE: 6-2-80	TITLE: digital
DRAWN BY: [Signature]	DATE: 2-23-80	MAJOR BOARD: H7200
CHECKED BY: C.S. [Signature]	DATE: 2/10/81	DOCUMENT NUMBER: D CS 5413857-0-1
APP. BY: [Signature]	DATE: 2-18-81	SCALE: 1:1
D-UA-5413857-0-0		SHEET 1 OF 3

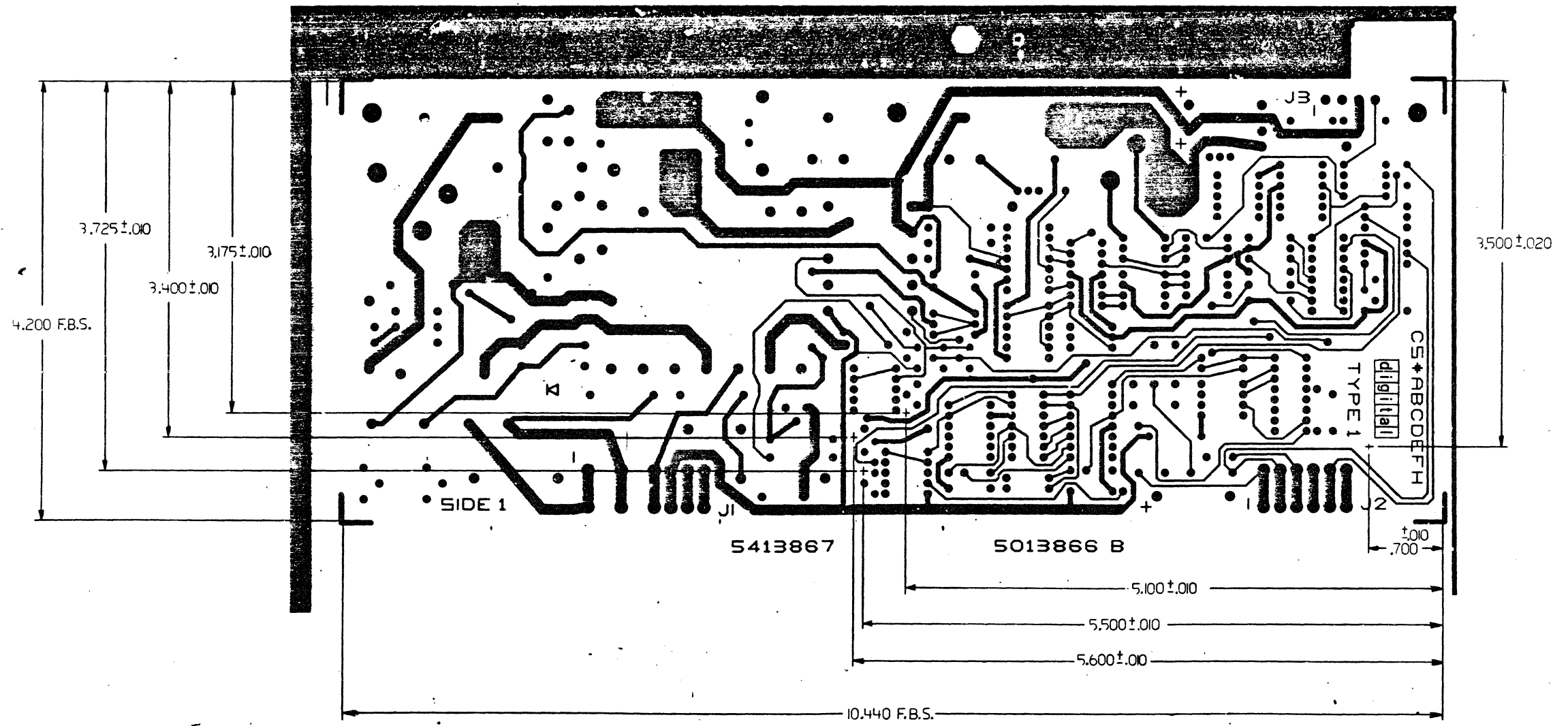
TW 1



REV	DATE	BY	APP
1			

DESIGNED BY F. GUNDERSEN	DATE 6-2-80	TITLE digital
CHECKED BY C. S. GARDNER	DATE 2/19/81	MAJOR BOARD H7200
APP. BY C. S. GARDNER	DATE 2/19/81	DOCUMENT NUMBER CS 5413857-0-1
SCALE D-UA-5413857-0-0	DATE 2-8-81	SHEET 3 OF 3

380



REV	DESCRIPTION	DATE

8	7	6	5	4	3	2	1
---	---	---	---	---	---	---	---

TITLE
H7211
COMMUNICATION REG

SIZE	DWG. NUMBER
DIA	5413867-0-0
SCALE 2/1	SHEET 2 OF 3

A B C D E F G H I J K L M N O P Q R S T U V W X Y Z

8 7 6 5 4 3 2 1

THIS DRAWING AND SPECIFICATIONS HEREIN ARE THE PROPERTY OF DIGITAL EQUIPMENT CORPORATION AND SHALL NOT BE REPRODUCED OR COPIED OR USED IN WHOLE OR IN PART AS THE BASIS FOR THE MANUFACTURE OR SALE OF ITEMS WITHOUT WRITTEN PERMISSION. COPYRIGHT © 1970.

D
C
B
A

NEW WORK INSTRUCTIONS

WIRE ADDS SIDE 1

- 0-6 FROM C22 TO C24
- 0-7 FROM C21 TO R50
- 0-8 FROM C11 TO R10
- 0-9 FROM OTHER SIDE OF C41 TO OTHER SIDE OF R60
- 0-13 FROM R20 TO PTH LEADING TO J2 PIN 1
- 0-18 FROM Q1/COLLECTOR TO R81 (WRAP WIRE AROUND COMPONENT LEAD)

COMPONENT ADDS SIDE 1

- 0-10 INSTALL R79 BY DRILLING ONE .042" HOLE AS SHOWN AND TACK SOLDER TO LARGE END. TACK ON SIDE 2, ALSO TACK SOLDER OTHER SIDE OF RESISTOR TO ETCH LEADING TO J2 PIN 5 (SIDE 1)
- 0-11 INSTALL R78 BY DRILLING ONE .042" HOLE AS SHOWN AND TACK SOLDER TO SIDE 2. ETCH LEADING TO BASE OF R9. ALSO TACK SOLDER OTHER SIDE OF R78 TO ETCH BETWEEN R54 AND E3 PIN 1 (SIDE 1)
- 0-15 INSTALL R80 BY TACK SOLDERING ONE SIDE TO ETCH RUN LEADING TO E1-C AND TACK SOLDER OTHER SIDE TO ETCH RUN BETWEEN D6/CATHODE AND PTH UNDER R30. (USE .25" APPROX. SLEEVING, ITEM 123, ON SIDE CONNECTED TO D6.)
- 0-16 INSTALL C15 BY DRILLING TWO .042" HOLES AS SHOWN. TACK SOLDER BOTTOM LEAD OF COMPONENT TO ETCH LEADING TO Q12/BASE. (SIDE 2) TACK SOLDER REMAINING LEAD TO ETCH LEADING TO Q12/EMITTER. (SIDE 2)
- 0-17 INSTALL R81 AND C42 BY DRILLING FOUR .042" HOLES. TACK SOLDER TOP LEAD OF C42 TO ETCH RUN BETWEEN C1 AND R1. (SIDE 2) JUMPER BOTTOM OF C42 AND TOP R81 USING COMPONENT LEADS. (SIDE 2) TACK SOLDER BOTTOM LEAD OF R81 TO ETCH RUN BETWEEN Q2/COLLECTOR AND C2/POSITIVE. (SIDE 2)
- 0-19 INSTALL R82 BY TACK SOLDERING ONE SIDE TO ETCH RUN BETWEEN E4-8 AND D10/CATHODE. TACK SOLDER OTHER SIDE TO ETCH RUN BETWEEN R32 AND R26.

ECO #1

WIRE DELETE SIDE 1

- 1 FROM Q1/COLLECTOR TO R81.

COMPONENT DELETES SIDE 1

- 1-2 DELETE C8 DEC #1001610-00.
- 1-3 DELETE C42 DEC #1017466-11.
- 1-4 DELETE R81 DEC #1300479-00.
- 1-5 DELETE R15 DEC #1317494-00.
- 1-6 DELETE R18 DEC #1316843-00.
- 1-7 DELETE C13 DEC #1002476-00.
- 1-8 DELETE R52 DEC #1300439-00.
- 1-9 DELETE C32 DEC #1001610-00.
- 1-10 DELETE R32 DEC #1305353-00.
- 1-11 DELETE D31 DEC #1112595-02.

COMPONENT ADDS SIDE 1

- 1-12 ADD R15 DEC #1313342-00.
- 1-13 ADD R81 DEC #1301425-00.
- 1-14 ADD R32 DEC #1315096-00.
- 1-15 ADD R18 DEC #1313752-00.
- 1-16 ADD C13 DEC #1000026-00.
- 1-17 ADD R52 DEC #1300365-00.
- 1-18 ADD C32 DEC #1012783-00.
- 1-19 ADD D31 DEC #1115112-00.

WIRE ADD SIDE 1 ECO #2

- 2-1 FROM Q12 COLLECTOR TO E2 PIN 4

COMPONENT DELETES ECO #2

- 2-2 DELETE R32 DEC #1315096-00

COMPONENT ADDS ECO #2

- 2-3 ADD R32 DEC #1311653-00

D
C
B
A

REVISION HISTORY		
DATE	ECO NUMBER	REV

TITLE H7211 COMMUNICATION REG

DOCUMENT NUMBER		REV
SIZE CODE	NUMBER	D
D	1317-00	D
SCALE	SHEET 3	OF 3

8 7 6 5 4 3 2 1

D

C

A

LINE	ITEM	TOP DOCUMENT	PART NUMBER	MIN REV	DESCRIPTION	QTY	PER	VAR/REV	REFERENCE DESIGNATORS
						00	YA		
						E1	E1		
1	1	D-MD-5013866-0-0	50-13866-00		DRILL + ETCH BRD	1	1		
2	2	#BLANK			*** THIS ITEM IS NOT USED ***	-	-		
3	3		10-01610-00		.01 MFD 50V +80-20% Z5U CER	2	2		C6,C18
4	4		10-00026-00		680.0 MMF 100V 5%200PPM MICA	1	1		C13
5	5		10-05784-00		.01 MFD 100V 200V 10% MYLR	1	1		C33
6	6		10-10274-02		1 MFD 50V +80-20% CER	3	3		C17,C23,C24
7	7		10-11847-02		.01 MFD 600V 10% POLYPROP	1	1		C38
8	8		10-11847-03		.0047 MFD 600V 10% POLYPROP	2	2		C36,C39
9	9		10-12784-00		.047 MFD 50V +80-20% CER	2	2		C9,C41
10	10		10-13466-04		33.0 MMF 50V 5% CER	1	1		C28
11	11		10-13466-06		100.0 MMF 50V 5% CER	2	2		C21,C27
12	12		10-13466-08		680.0 MMF 50V 10% X7R CER	2	2		C15,C22
13	13		10-12783-00		.022 MFD 50V +80-20% CER	1	1		C32
14	14		10-13466-12		2200.0 MMF 50V 10% X7R CER	2	2		C19,C34
15	15		10-13466-11		.22 MFD 50V +80-20% Z5U CER	5	5		C3-C5,C29,C30
16	16		10-14170-00		2700.0 MMF 100V 1% 70PPM MICA	1	1		C14
17	17		10-15573-01		5600.0 MMF 50V 5% CER	2	2		C7,C16
18	18		10-17472-00		10 MFD 35V +75-10% AL EL	3	3		C10-C12
19	19		10-16992-00		2700 MFD 25V +75-10% AL EL	3	3		C31,C35,C37
20	20		10-15202-03		.0013 MFD 1600V 10% POLYPROP	1	1		C40
21	21		11-03441-00		VZ= 8.2 5% 400 MW 1N756A	1	1		D9
22	22		11-05275-00		PIV= 60 IO=300 MA -15NS	21	21		D1-D8,D10-D18,D20-D23
23	23		11-12595-01		PIV= 200 IO= 1.00A AXIAL	9	9		D19,D24,U25,D27,D35-D39
24	24		11-12595-02		PIV= 600 IO= 1.00A AXIAL	1	1		D30
25	25		11-15112-00		RECT,ULTRA FAST PIV= 800 IO= 1.0	4	4		D28,D31,D34,D40
26	26		11-17490-00		RECT,ULTRA FAST PIV= 150 IO= 8.0	2	2		D26,D29
27	27		91-07252-00		TUBING,SHRINK .375ID EXP	A/R	A/R		
28	28		12-13426-03		HEAT SINK,T0-3 1.880X01.4	1	1		
29	29		12-14789-00		INSERT,THREAD	2	2		
30	30		12-14809-02		INSERT,W/O INTERNAL THREADS,THRU	2	2		
31	31		12-15228-00		HEAT SINKS,T0-220 01.25X0.87	2	2		
32	32		12-16122-11		PCB,HEADER 04PIN(1X04).156CC KEY	1	1		J3

REVISION HISTORY			KPL MODULE FORMAT		SECTION A OF A		DRN: J. FERGUSON		DIGITAL				
ENG	ECO NUMBER	REV	SECTION/VARIATION INDEX		DATE: 05-AUG-80		CHK'D: J. FERGUSON		TITLE PARTS LIST				
---	INITIAL	B	[A]	00, YA	[M]	DATE: 21-OCT-80		DATE: 21-OCT-80		H7211 COMMUNICATIONS REG			
BS	5413867-TW002	C	[B]		[N]	DES.ENG: D. DRINKWATER		DATE: 21-OCT-80		DOCUMENT NUMBER			
CL	5413867-TW003	D	[C]		[P]	DATE: 21-OCT-80		RESP.ENG.: C. LANDINO		SIZE	CODE	NUMBER	REV
JL	5413867-TW004	E	[D]		[Q]	MFG.ENG: H. ORTIZ		DATE: 21-OCT-80		K	PL	5413867-0-DBP	E
			[E]		[R]	DATE: 23-FEB-81		RELEASE DATE: 27-NOV-85		RELEASE STATUS: RELEASED			
			[F]		[S]	BASIC PART NUMBER: 5413867		ASSEMBLY NUMBER: D-UA-5413867-0-0		TOP DOCUMENT NUMBER: B-DD-5413867-0-0		FILE NAME: Z1309E.PLS	
			[H]		[T]							EDIT # 20	
			[J]		[V]								
			[K]		[W]								
			[L]		[Y]								

"THIS DRAWING AND THE SPECIFICATIONS CONTAINED HEREIN ARE CONFIDENTIAL AND PROPRIETARY. THEY ARE THE PROPERTY OF DIGITAL EQUIPMENT CORPORATION AND SHALL NOT BE REPRODUCED OR COPIED OR USED IN WHOLE OR IN PART AS THE BASIS FOR THE MANUFACTURE OR SALE OF ITEMS WITHOUT WRITTEN PERMISSION. THIS IS AN UNPUBLISHED WORK PROTECTED UNDER THE FEDERAL COPYRIGHT LAWS."

*** DOCUMENT CONVERTED TO VAX ***

LINE	ITEM	TOP DOCUMENT	PART NUMBER	MIN REV	DESCRIPTION	QTY	PER	VAR/REV	REFERENCE DESIGNATORS
						00	YA		
						E1	E1		
33	33		12-17990-04		CONN,P+S 06SKT(1X06).156CC	1	1		J2
34	34		12-17990-02		CONN,P+S 08SKT(1X06).156CC	1	1		J1
35	35		12-13426-01		HEAT SINK,T0-3 1.880X01.4	1	1		
36	36		13-01425-00		300.0 .25 W 5.0 % CF	1	1		R81
37	37		13-00171-00		10.0 1.0 W 5.0 % CC	1	1		R65
38	38		13-00229-00		100.0 .25 W 5.0 % CF	4	4		R4,R47,R60,R76
39	39		13-00287-00		270.0 1.0 W 10.0 % CC	1	1		R72
40	40		13-00315-00		470.0 .50 W 5.0 % CF	2	2		R57,R64
41	41		13-00365-00		1.0 K .25 W 5.0 % CF	2	2		R20,R52
42	42		13-00391-00		1.50 K .25 W 5.0 % CF	1	1		R25
43	43		13-00398-00		1.80 K .25 W 5.0 % CF	2	2		R33,R45
44	44		13-00417-00		2.20 K .25 W 5.0 % CF	1	1		R5
45	45		13-00426-00		2.70 K .25 W 5.0 % CF	1	1		R38
46	46	#BLANK			*** THIS ITEM IS NOT USED ***	-	-		
47	47		13-00479-00		10.0 K .25 W 5.0 % CF	13	13		R1,R3,R12,R19,R39,R40,R51,R53, CONT R54,R56,R78,R80,R82
48	48		13-01317-00		10.0 .25 W 5.0 % CF	1	1		R62
49	49		13-01320-00		1.20 K .25 W 5.0 % CF	2	2		R6,R31
50	50		13-01423-00		6.80 K .25 W 5.0 % CF	3	3		R50,R61,R79
51	51		13-01890-00		560.0 .25 W 5.0 % CF	1	1		R21
52	52		13-02377-00		39.0 .25 W 5.0 % CF	1	1		R63
53	53		13-02394-00		30.0 K .25 W 5.0 % CF	1	1		R22
54	54		13-02466-00		100.0 K .25 W 5.0 % CF	1	1		R49
55	55		13-02859-00		5.76 K .25 W 1.0 % RN55D-F10	1	-		R14
56	56		13-03114-00		1.0 K .25 W 1.0 % RN55D-F10	2	2		R9,R34
57	57		13-03187-00		820.0 K .25 W 5.0 % CF	1	1		R28
58	58		13-03305-00		6.98 K .25 W 1.0 % RN55D-F10	1	-		R44
59	59		13-04806-00		150.0 3.0 W 1.0 % WW	3	3		R66,R67,R69
60	60		13-03311-00		46.40 K .25 W 1.0 % RN55D-F10	1	-		R27
61	61		13-04858-00		348.0 .25 W 1.0 % RN55D-F10	1	-		R8
62	62		13-04867-00		7.0 K .25 W 1.0 % RN55D-F10	1	1		R42
63	63		13-04870-00		6.81 K .25 W 1.0 % RN55D-F10	1	-		R41
64	64		13-05121-00		38.30 .25 W 1.0 % RN55D-F10	1	1		R55
65	65		13-05124-00		287.0 .25 W 1.0 % RN55D-F10	1	-		R36
66	66		13-05346-00		27.0 K .25 W 5.0 % CF	1	1		R2
67	67		13-05621-00		111.10 .25 W .10% RN55D-B10	2	2		R11,R48
68	68		13-14350-00		1.0 2.0 W 10.0 % FUSE	1	1		R77
69	69		13-10632-00		2.37 K .25 W 1.0 % RN55D-F10	1	1		R43
70	70		13-11522-00		200.0 .25 W 5.0 % CF	2	2		R17,R46
71	71		13-12123-00		220.0 3.0 W 1.0 % WW	1	1		R71
72	72		13-12930-00		5.10 K .25 W 5.0 % CF	2	2		R7,R37
73	73		13-12933-00		360.0 K .25 W 5.0 % CF	1	1		R30
74	74		13-13153-00		28.0 K .25 W 1.0 % RN55D-F10	1	1		R10
75	75		13-13580-00		360.0 .25 W 5.0 % CF	1	1		R59
76	76		13-11653-00		2.15 K .25 W 1.0 % RN55D-F10	1	1		R32
77	77		13-09413-00		3.83 K .25 W 1.0 % RN55D-F10	1	1		R24
78	78		13-14350-01		.220 2.0 W 5.0% FUSE	1	1		R73
79	79		13-14397-00		9.53 K .25 W 1.0 % RN55D-F10	1	1		R16
80	80	#BLANK			*** THIS ITEM IS NOT USED ***	-	-		
81	81		13-13342-00		18.70 K .25 W 1.0 % RN55D-F10	1	-		R15

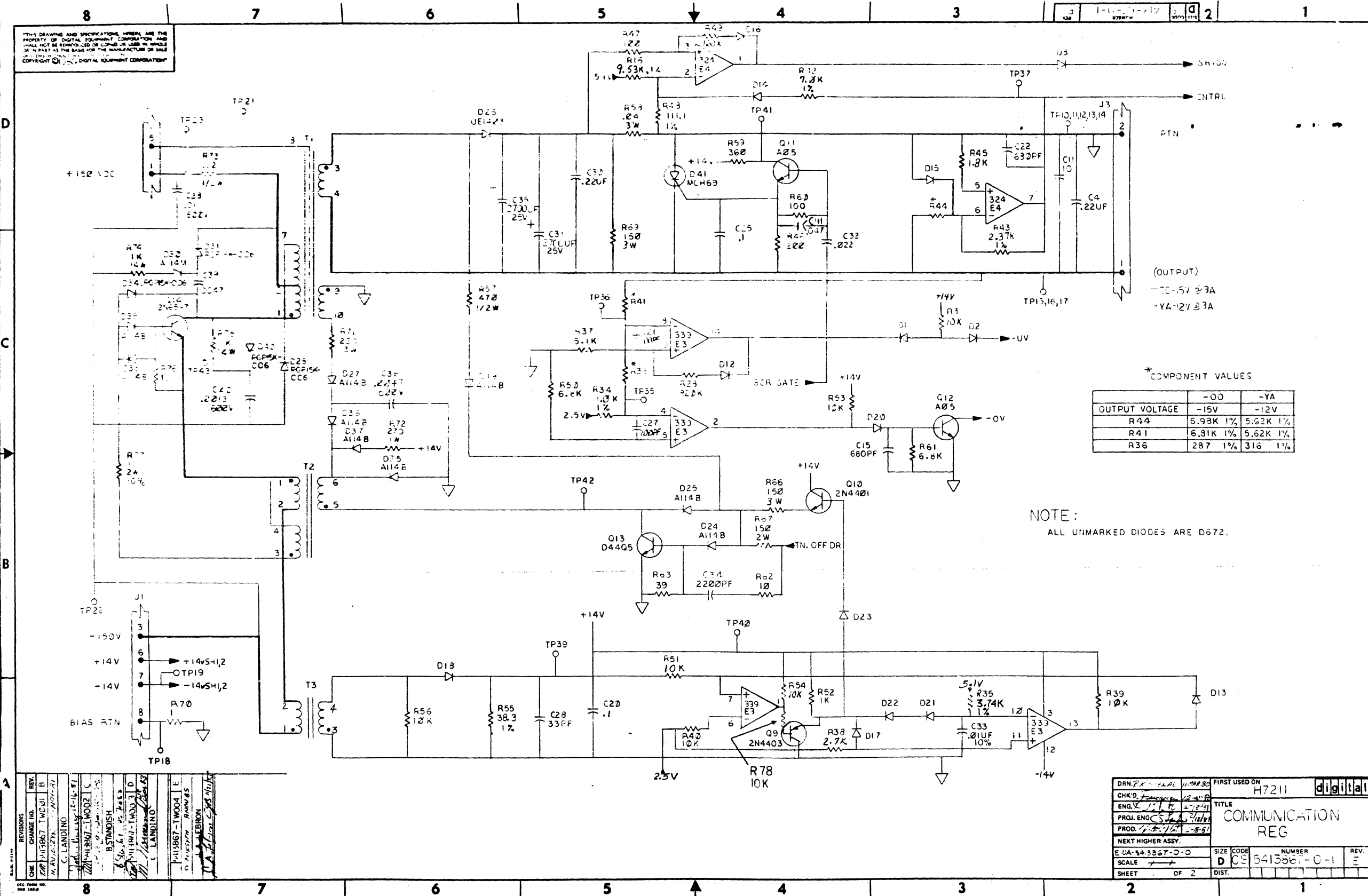
D	I	G	I	T	A	L	TITLE	SECTION A OF A	SIZE	CODE	DOCUMENT NUMBER	REV
							H7211 COMMUNICATIONS REG		K	PL	5413867-0-DBP	E

LINE	ITEM	TOP DOCUMENT	PART NUMBER	MIN REV	DESCRIPTION	QTY	PER	VAR/REV	REFERENCE DESIGNATORS
						00	YA		
						E1	E1		
82	82		13-17522-00	1.0	.25 W 5.0 % CF	1	1		R70
83	83		13-17515-00	.04	3.0 W 3.0 % WW	2	2		R13,R58
84	84		13-18039-00	1.0 K	14.0 W 5.0 % WW	2	2		R74,R75
85	85		13-02385-00	750.0	1.0 W 5.0 % CC	1	1		R68
86	86		15-10705-00	XA 05	NPN 500MW SI 60 50 P	4	4		Q1,Q2,Q11,Q12
87	87		15-10853-00	MJ 1000	NPN 90WC SI 60 1K Y	1	1		Q5
88	88		15-14195-00	2N 6547	NPN 400V SI 15A	1	1		Q14
89	89		15-13489-00	2N 4401	NPN 350MW SI 40 20	2	2		Q7,Q10
90	90		15-13490-00	2N 4403	PNP 350MW SI-40 30	2	2		Q8,Q9
91	91		15-14271-01	D 4405	NPN 31W SI225 30	1	1		Q13
92	92		11-17061-00		THYRISTOR, VDRM= 25 MC	2	2		D41,D42
93	93		16-17557-00		XFMR,CURRENT RATIO 1:2:100 PC MT	1	1		T3
94	94		16-17440-00		XFMR P=370V S=VARIABLE	1	1		T1
95	95		16-17467-00		PULSE XFMR PC MOUNT	1	1		T2
96	96		19-12107-00		324 OP AMP,QUAD	1	1		E4
97	97		19-12108-00		339 VOLT CMPRTR,QUAD	1	1		E3
98	98		19-16819-00		3527A MODULATOR,REGULATING	1	1		E1
99	99		19-17059-00		3543 P.S. SUPERVISORY CIR	1	1		E2
100	100		90-00024-09		EYELET,ROLLED 0.0890DX0.125	4	4		
101	101		90-06010-01		SCREW,MACH PAN PHIL 4-	2	2		
102	102		90-07793-01		SCREW,MACH PAN PHIL 6-	2	2		
103	103		90-06556-00		NUT,HEX 4-40X .264AF SS/N	2	2		
104	104		90-06656-00		WASHER,FLAT STEEL	6	6		
105	105		90-06688-00		WASHER,HELICAL SPLIT SST	2	2		
106	106		90-07801-00		WASHER,HELICAL SPLIT SST	4	4		
107	107		90-08268-00		COMPOUND, THERMAL JOINT	A/R	A/R		
108	108		90-08957-00		NUT,HEX 6-32X .246AF SS/N	2	2		
109	109		90-09769-00		WASHER,RECTNGLR STEEL	2	2		
110	110		90-09798-00		SPACER,CLEAR HOLE RND CERAM .07	4	4		
111	111		90-06025-01		SCREW,MACH PAN PHIL 6-	2	2		
112	112		13-12452-00	3.74 K	.25 W 1.0 % RN55D-F10	1	1		R35
113	113		13-05128-00	5.62 K	.25 W 1.0 % RN55D-F10	-	2		R41,R44
114	114		13-04863-00	316.0	.25 W 1.0 % RN55D-F10	-	1		R36
115	115		13-13598-00	32.40 K	.25 W 1.0 % RN55D-F10	-	1		R27
116	116		13-13752-00	15.0 K	.25 W 1.0 % RN55D-F10	1	-		R18
			CONT			-	1		R15
117	117		13-04856-00	4.64 K	.25 W 1.0 % RN55D-F10	-	1		R14
118	118		13-05125-00	383.0	.25 W 1.0 % RN55D-F10	-	1		R8
119	119		13-13597-00	23.70 K	.25 W 1.0 % RN55D-F10	1	1		R26
120	120		10-13466-22	.1 MFD	50V +80-20% Z5U CER	3	3		C1,C20,C25
121	121		10-18000-02	22 MFD	35V +50-10% AL EL	1	1		C2
122	122		91-05740-55		WIRE(WRAP) 30AWG KYNAR UL14	A/R	A/R		
123	123		91-07256-11		TUBING,TEFLON .027ID	A/R	A/R		

1 GEN: ITEM #122; 1.0' IS USED.
 2 GEN: ITEM #123; .13' IS USED.
 3 GEN: ITEM #27; .15' IS USED.

D	I	G	I	T	A	L	TITLE	SECTION A	OF A	SIZE	CODE	DOCUMENT NUMBER	REV
							H7211 COMMUNICATIONS REG			K	PL	5413867-0-DBP	E

THIS DRAWING AND SPECIFICATIONS HEREBY ARE THE PROPERTY OF DIGITAL EQUIPMENT CORPORATION AND SHALL NOT BE REPRODUCED OR COPIED OR USED IN WHOLE OR IN PART AS THE BASIS FOR THE MANUFACTURE OF SALE UNLESS BY EXPRESS WRITING OF DIGITAL EQUIPMENT CORPORATION.



* COMPONENT VALUES

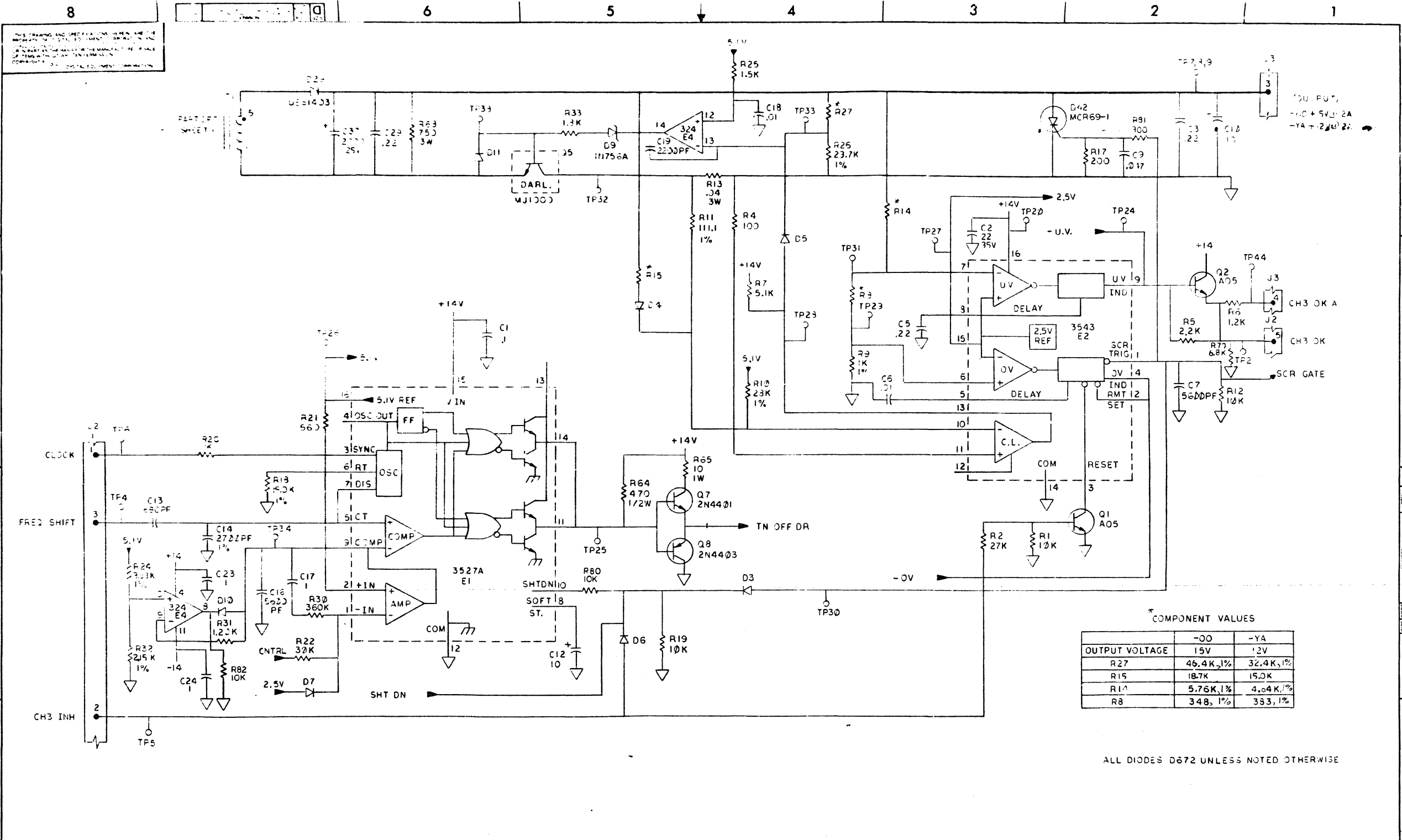
OUTPUT VOLTAGE	-00	-15V	-12V
R44	6.93K 1%	5.62K 1%	
R41	6.81K 1%	5.62K 1%	
R36	287 1%	316 1%	

NOTE:
ALL UNMARKED DIODES ARE D672.

REVISIONS

CHK	CHANGE NO.	REV.	DATE	BY
	1	1	11/15/67	W.C. GIL
	2	1	12/12/67	W.C. GIL
	3	1	12/16/67	W.C. GIL
	4	1	12/16/67	W.C. GIL
	5	1	12/16/67	W.C. GIL
	6	1	12/16/67	W.C. GIL
	7	1	12/16/67	W.C. GIL
	8	1	12/16/67	W.C. GIL
	9	1	12/16/67	W.C. GIL
	10	1	12/16/67	W.C. GIL
	11	1	12/16/67	W.C. GIL
	12	1	12/16/67	W.C. GIL
	13	1	12/16/67	W.C. GIL
	14	1	12/16/67	W.C. GIL
	15	1	12/16/67	W.C. GIL
	16	1	12/16/67	W.C. GIL
	17	1	12/16/67	W.C. GIL
	18	1	12/16/67	W.C. GIL
	19	1	12/16/67	W.C. GIL
	20	1	12/16/67	W.C. GIL
	21	1	12/16/67	W.C. GIL
	22	1	12/16/67	W.C. GIL
	23	1	12/16/67	W.C. GIL
	24	1	12/16/67	W.C. GIL
	25	1	12/16/67	W.C. GIL
	26	1	12/16/67	W.C. GIL
	27	1	12/16/67	W.C. GIL
	28	1	12/16/67	W.C. GIL
	29	1	12/16/67	W.C. GIL
	30	1	12/16/67	W.C. GIL
	31	1	12/16/67	W.C. GIL
	32	1	12/16/67	W.C. GIL
	33	1	12/16/67	W.C. GIL
	34	1	12/16/67	W.C. GIL
	35	1	12/16/67	W.C. GIL
	36	1	12/16/67	W.C. GIL
	37	1	12/16/67	W.C. GIL
	38	1	12/16/67	W.C. GIL
	39	1	12/16/67	W.C. GIL
	40	1	12/16/67	W.C. GIL
	41	1	12/16/67	W.C. GIL
	42	1	12/16/67	W.C. GIL
	43	1	12/16/67	W.C. GIL
	44	1	12/16/67	W.C. GIL
	45	1	12/16/67	W.C. GIL
	46	1	12/16/67	W.C. GIL
	47	1	12/16/67	W.C. GIL
	48	1	12/16/67	W.C. GIL
	49	1	12/16/67	W.C. GIL
	50	1	12/16/67	W.C. GIL

DRN. P. NO.	111987	FIRST USED ON	H7211
CHKD.	W.C. GIL	TITLE	COMMUNICATION REG
ENG.	W.C. GIL	SCALE	D
PROJ. ENG.	W.C. GIL	NUMBER	5413867-0-1
PROD.	W.C. GIL	REV.	E
NEXT HIGHER ASSY.		SIZE	D
EUA-543867-0-0		DIST.	
SHEET	OF 2		



* COMPONENT VALUES

	-00	-YA
OUTPUT VOLTAGE	15V	12V
R27	46.4K, 1%	32.4K, 1%
R15	18.7K	15.0K
R14	5.76K, 1%	4.04K, 1%
R8	348, 1%	383, 1%

ALL DIODES D672 UNLESS NOTED OTHERWISE

REVISION HISTORY

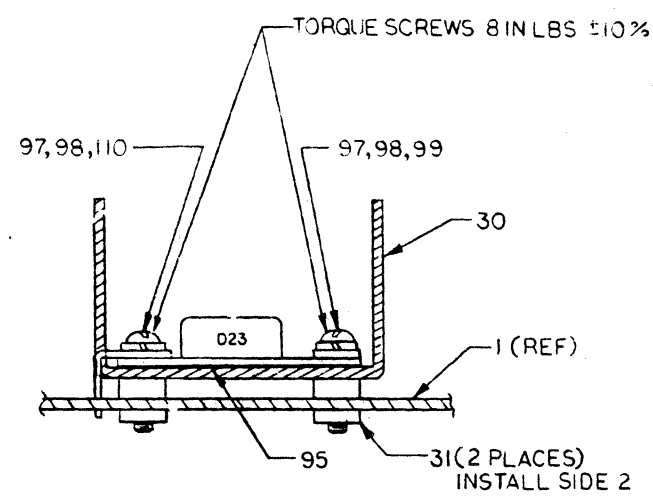
DATE	ECO NUMBER	REV.

TITLE COMMUNICATION REG
 DOCUMENT NUMBER DCS 5413367-0-1
 SCALE SHEET 2 OF 2

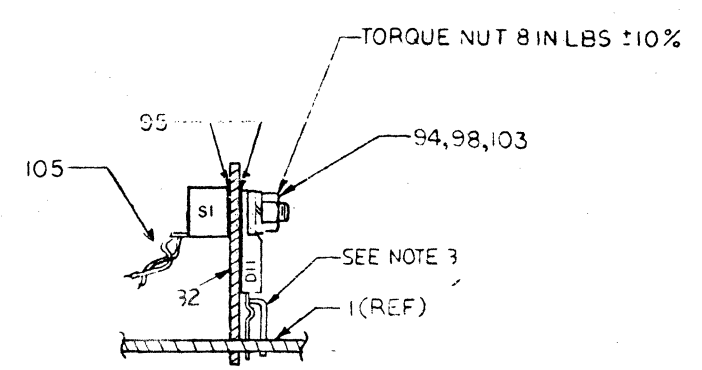
THIS DRAWING AND SPECIFICATIONS HEREIN ARE THE PROPERTY OF THE UNITED STATES GOVERNMENT AND ARE TO BE REPRODUCED IN FULL OR IN PART WITHOUT LIMITATION OF RIGHTS IN ANY FORM OR BY ANY MEANS, ELECTRONIC OR MECHANICAL, INCLUDING PHOTOCOPYING, RECORDING, OR BY ANY INFORMATION STORAGE AND RETRIEVAL SYSTEM.

THIS DRAWING AND SPECIFICATIONS HEREBY ARE THE PROPERTY OF DIGITAL EQUIPMENT CORPORATION AND SHALL NOT BE REPRODUCED OR COPIED IN WHOLE OR IN PART BY ANY OTHER PERSON OR ORGANIZATION WITHOUT THE WRITTEN PERMISSION OF DIGITAL EQUIPMENT CORPORATION. COPYRIGHT © 1962 DIGITAL EQUIPMENT CORPORATION

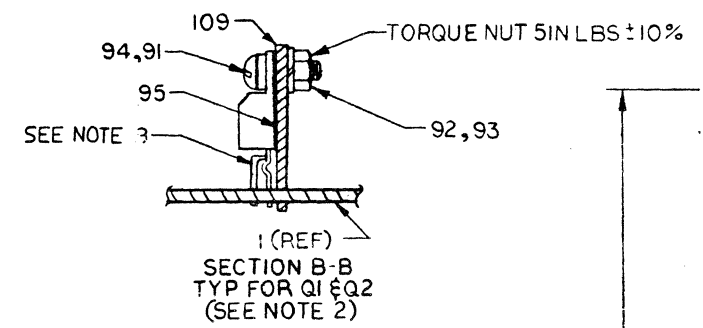
COMPONENT SIDE VIEW



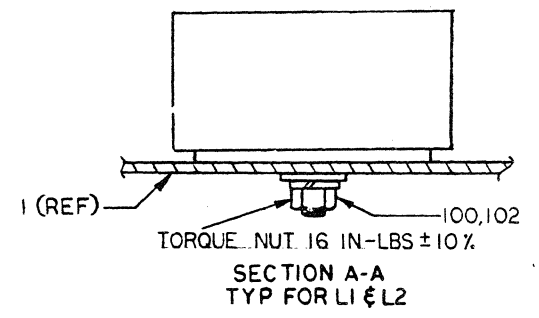
SECTION C-C



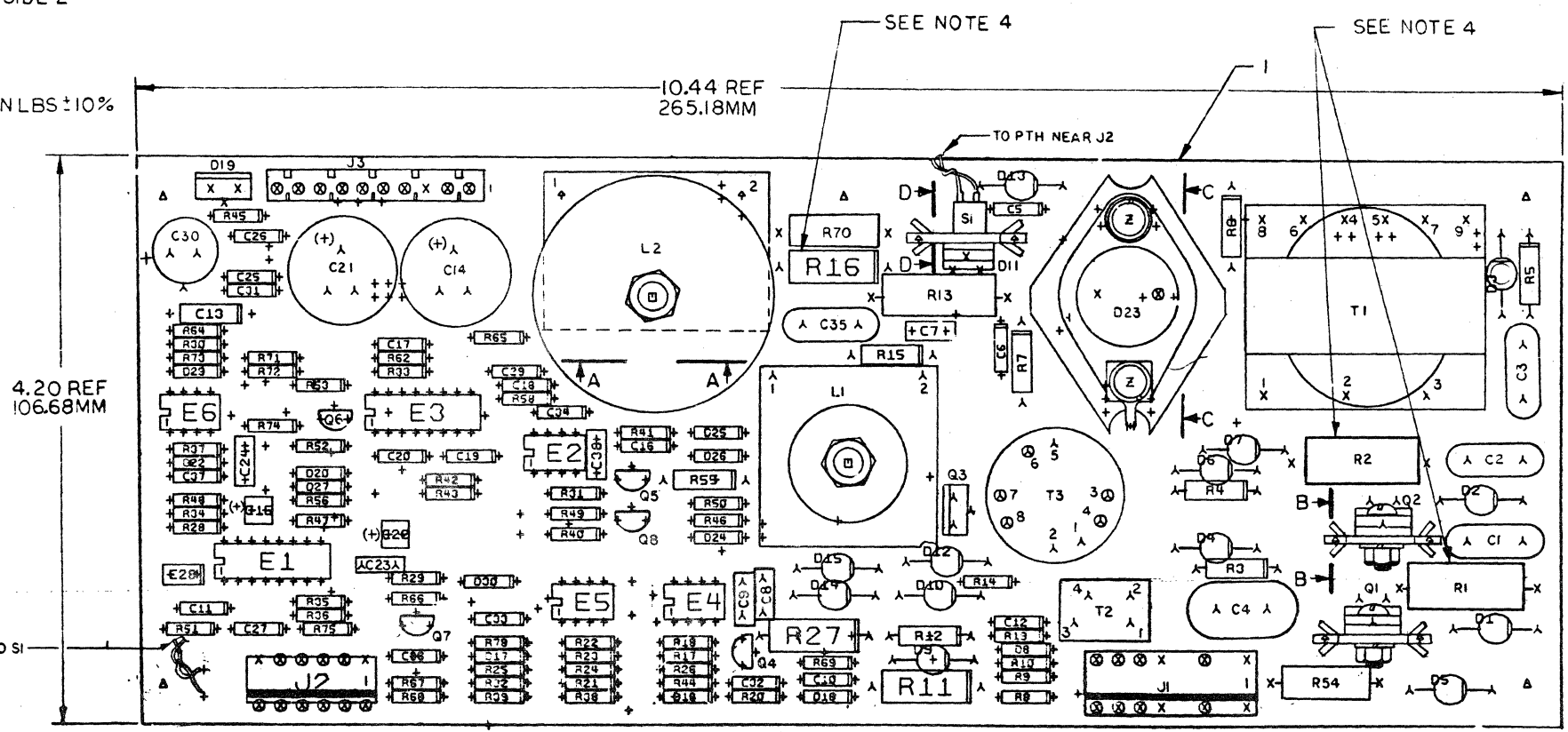
SECTION D-D
(SEE NOTE 2)



SECTION B-B
TYP FOR Q1 & Q2
(SEE NOTE 2)



SECTION A-A
TYP FOR L1 & L2



NOTES:

1. THIS BOARD MUST MEET UL TYPE I REQUIREMENTS.
2. ASSEMBLE ALL ITEMS BEFORE INSTALLING ON BOARD.
3. ADD STRAIN RELIEF ALL AS SHOWN.
4. RAISE OFF BOARD JO3 & Q5.

STEP E	→ Y AXIS	4.775	STEP	1	TIMES	2	M	30
REPEAT	→ X AXIS		STEP	0	TIMES			

CHANGE NO	REV	DATE	BY	CHKD	APP'D	REASON
1						
2						
3						

ETCH REV.	OP2
-----------	-----

SIGNATURES		DATE	digital
DRN. R. C. C. [Signature]		3-9-62	
CHK'D. E. Z. G. [Signature]		3-11-62	TITLE MEM REG MODULE
MECH. ENG. [Signature]		11-11-62	
PROJ. ENG. [Signature]		11-11-62	
PROD. [Signature]		11-11-62	SIZE CODE NUMBER D UA 5413869-0-0 E
SCALE 2:1			
SHT. 1 OF 1			
NEXT HYPER ASSY. B-00-5413869-0			

8 7 6 5 4 3 2 1 WO# 172562

LINE	ITEM	TOP DOCUMENT	PART NUMBER	MIN REV	DESCRIPTION	QTY PER VARIATION	REFERENCE DESIGNATOR
					VARIATION REVISION LEVEL:	00	
1	1	D-MD-5013868-0-0	5013868-00		DRILL AND ETCH	1	
2	2		1013466-26		120.0 MMF 50V 5% CER	4	C18-C20,C12
3	3		1012607-00		560 MFD 20V+100-10% AL EL	1	C30
4	4		1013466-16		.010 MFD 50V 10% X7R CER	5	C5,C6,C26,C29,C37
5	5		1010274-00		.22 MFD 50V +80-20% Z5U CER	2	C8,C9
6	6		1012784-00		.047 MFD 50V +80-20% CER	6	C25,C31,C11,C17,C33,C34
7	7		1011847-01		.01 MFD 400V 10% POLYPROP	2	C3,C35
8	8		1013466-28		1000.0 MMF 50V 5% CER	1	C36
9	9		1014169-00		1000.0 MMF 100V 1%200PPM MICA	1	C23
10	10		1013466-18		330.0 MMF 50V 5% CER	1	C27
11	11		1014277-00		3800 MFD 6.3V +75-10% AL EL	2	C14,C21
12	12		1017426-01		2700.0 MMF 250V 10% POLYPROP	2	C1,C2
13	13		1000042-00		1000.0 MMF 100V 5%200PPM MICA	2	C7,C24
14	14		1013466-20		5000.0 MMF 50V 10% X7R CER	1	C10
15	15		1011847-02		.01 MFD 600V 10% POLYPROP	1	C4
16	16		1013466-07		220.0 MMF 50V 5% CER	1	C16
17	17		1013466-46		.047 MFD 50V 10% X7R CER	1	C13
18	18		1018000-00		2.2MFD 63V +50-10% AL EL	1	C22
19	19		1018000-01		15 MFD 25V +50-10 AL EL	1	C15
20	20		1013466-24		47.0 MMF 50V 5% CER	1	C32
21	21		1105275-00		PIV= 60 IO=300 MA -15NS	10	D8,D16-D18,D20,D22,D24,D27,D29, CONT D30
22	22		1112595-01		PIV= 200 IO= 1.00A AXIAL	10	D1,D3,D4,D6,D7,D9,D10,D12,D14, CONT D15
23	23		1010978-40		.22 MFD 50V 10% CER	1	C38
24	24		1112595-02		PIV= 600 IO= 1.00A AXIAL	3	D2,D5,D13
25	25		1117555-00		RECT,ULTRA FAST PIV= 150 IO= 3.0	1	D11
26	26		1116323-00		SCHOTTKY PIV= 45 IO=30.00A	1	D23
27	27		1109517-00		PIV= 75 IO=150 MA - 4NS 1N914B	1	D25
28	28		1110766-00		VZ= 18.0 5% 500M2 1N5248B D	1	D26

REVISION HISTORY			BASIC PART NO: 5413869			D I G I T A L		
ENG	ECO NUMBER	REV	SECTION A OF A	DRN:	S.CORCORAN	DATE:	05-MAR-82	
---	INITIAL	A	SECTION VARIATION INDEX	CHK'D:	F.GERRY	DATE:	05-MAR-82	TITLE PARTS LIST H7213 MEMORY REGULATOR
BW	5413869-TW001	B	[A] 00	DES.ENG:	B.WOLF	DATE:	05-MAR-82	DOCUMENT NUMBER
BW	5413869-TW002	C	[B]	RESP.ENG.:	B.WOLF	DATE:	05-MAR-82	SIZE CODE NUMBER REV K PL 5413869-0-DBP E
CL	5413869-TW004	D	[C]	MFG.ENG.:	R.GARCIA	DATE:	05-MAR-82	RELEASE DATE: 19-DEC-84
RW	5413869-TW006	E	[D] [E] [F] [H] [J] [K] [L] [M] [N]	ASSEMBLY NUMBER:	D-UA-5413869-0-0	TOP DOCUMENT NUMBER:	B-DD-5413869-0-0	FILE NAME: Z5545E.PLS EDIT #: 39

"THIS DRAWING AND THE SPECIFICATIONS CONTAINED HEREIN ARE CONFIDENTIAL AND PROPRIETARY. THEY ARE THE PROPERTY OF DIGITAL EQUIPMENT CORPORATION AND SHALL NOT BE REPRODUCED OR COPIED OR USED IN WHOLE OR IN PART AS THE BASIS FOR THE MANUFACTURE OR SALE OF ITEMS WITHOUT WRITTEN PERMISSION. THIS IS AN UNPUBLISHED WORK PROTECTED UNDER THE FEDERAL COPYRIGHT LAWS."

LINE	ITEM	TOP DOCUMENT	PART NUMBER	MIN REV	DESCRIPTION	VARIATION REVISION LEVEL:	QTY PER VARIATION	REFERENCE	DFSIGNATOR
							00		
29	29		1117061-00		THYRISTOR, VDRM= 25	MC	1	D19	
30	30		1213426-03		HEAT SINK, T0-3	1.880X01.4	1		
31	31		1214789-00		INSERT, THREAD		2		
32	32		1215228-02		HEAT SINKS, T0-220	01.25X0.87	1		
33	33		1217990-04		CONN, P+S	06SKT(1X06), 156CC	1	J2	
34	34		1216122-09		PCB, HEADER	10PIN(1X10), 156CC KEY	1	J3	
35	35		1217990-01		CONN, P+S	08SKT(1X06), 156CC	1	J1	
36	36		1300229-00		100.0	.25 W 5.0 %	CF	3	R36, R45, R64
37	37		1313347-00		220.0	1.0 W 5.0 %	CC	1	R27
38	38		1309855-00		300.0	2.0 W 5.0 %	CC	2	R1, R2
39	39		1300298-00		330.0	1.0 W 10.0 %	CC	1	R11
40	40		1300316-00		470.0	.25 W 5.0 %	CF	3	R19, R30, R34
41	41		1300365-00		1.0	K .25 W 5.0 %	CF	4	R31, R38, R49, R50
42	42		1300447-00		4.70	K .25 W 5.0 %	CF	8	R10, R23, R29, R40, R46, R62, R65, R67
43	43		1300479-00		10.0	K .25 W 5.0 %	CF	7	R28, R37, R51, R52, R56, R66, R78
44	44		1300168-00		10.0	.50 W 5.0 %	CF	4	R5, R6, R7, R15
45	45		1313844-00		221.0	K .25 W 1.0 %	RN55D-F10	1	R75
46	46		1301320-00		1.20	K .25 W 5.0 %	CF	1	R53
47	47		1302377-00		39.0	.25 W 5.0 %	CF	1	R14
48	48		1300356-00		820.0	.50 W 10.0 %	CF	1	R12
49	49		1300257-00		150.0	2.0 W 5.0 %	CC	1	R13
50	50		1320022-01		1.50	M .25 W 1.0 %	RN55D-F10	1	R74
51	51		1302957-00		121.0	.25 W 1.0 %	RN55D-F10	1	R42
52	52		1303114-00		1.0	K .25 W 1.0 %	RN55D-F10	3	R17, R26, R72
53	53		1314492-00		40.20	K .25 W 1.0 %	RN55D-F10	1	R35
54	54		1309444-00		2.70	.50 W 10.0 %	CF	2	R3, R4
55	55		1314551-00		442.0	.25 W 1.0 %	RN55D-F10	2	R41, R43
56	56		1300496-00		15.0	K .25 W 5.0 %	CF	1	R68
57	57		1300202-00		47.0	.25 W 5.0 %	CF	1	R9
58	58		1303156-00		34.80	K .25 W 1.0 %	RN55D-F10	1	R24
59	59		1313841-00		23.20	K .25 W 1.0 %	RN55D-F10	1	R39
60	60		1302177-00		47.0	K .25 W 5.0 %	CF	1	R47
61	61		1302388-00		2.0	K .25 W 5.0 %	CF	1	R20
62	62		1305324-00		4.99	K .25 W 1.0 %	RN55D-F10	2	R25, R71
63	63		1317515-00		.04	3.0 W 3.0 %	WW	1	R16
64	64		1317522-00		1.0	.25 W 5.0 %	CF	1	R8
65	65		1305346-00		27.0	K .25 W 5.0 %	CF	2	R33, R73
66	66		1314350-00		1.0	2.0 W 10.0 %	FUSE	1	R54
67	67		1311594-00		30.10	K .25 W 1.0 %	RN55D-F10	2	R18, R44
68	68		1312565-00		13.30	K .25 W 1.0 %	RN55D-F10	1	R21
69	69		1302466-00		100.0	K .25 W 5.0 %	CF	1	R48
70	70		1302871-00		1.21	K .25 W 1.0 %	RN55D-F10	1	R32
71	71		1316511-00		15.0	K .50 W 5.0 %	CF	1	R55
72	72		1302398-00		470.0	K .25 W 5.0 %	CF	1	R58
73	73		1312929-00		62.0	.25 W 5.0 %	CF	1	R69
74	74		1300171-00		10.0	1.0 W 5.0 %	CC	1	R70
75	75		1011683-00		.022	MFD 50V 10%	CER	1	C28
76	76		1510705-00		XA 05	NPN 500MW SI 60 50 P	2	Q6, Q7	

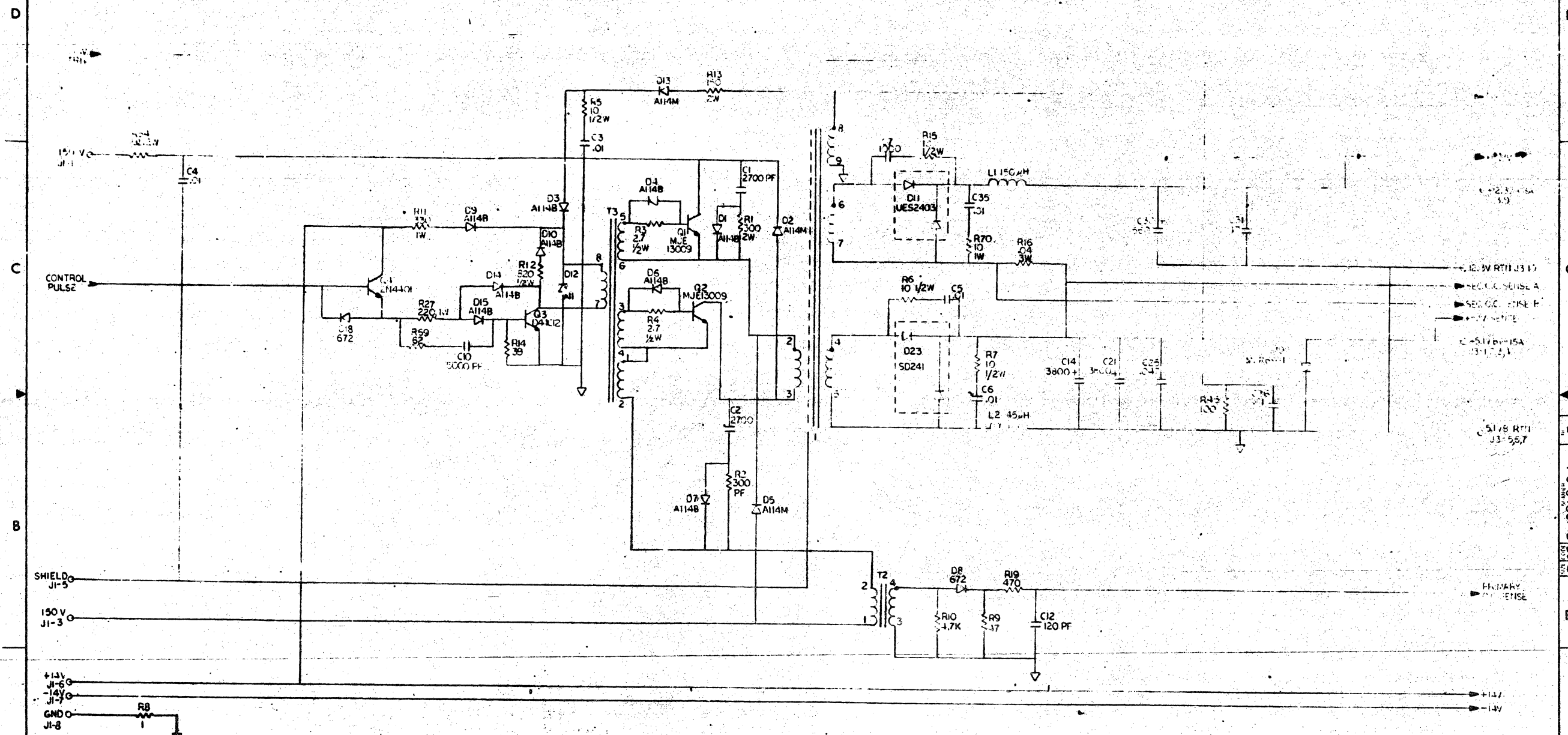
D	I	G	I	T	A	L	TITLE	SECTION A	OF A	SIZE	CODE	DOCUMENT NUMBER	REV
							H7213 MEMORY REGULATOR			K	PL	5413869-0-DBP	E

LINE	ITEM	TOP DOCUMENT	PART NUMBER	MIN REV	DESCRIPTION	QTY PER VARIATION	REFERENCE DESIGNATOR
						00	
							VARIATION REVISION LEVEL:
77	77		1509524-00		2N 3904 NPN 310MW SI 40 40 M	1	Q5
78	78		1513489-00		2N 4401 NPN 350MW SI 40 20	1	Q4
79	79		1512790-00		D 44012 NPN 30W SI	1	Q3
80	80		1517060-00		MJE13009 NPN 100W SI	2	Q1,Q2
81	81		1513490-00		2N 4403 PNP 350MW SI-40 30	1	Q8
82	82		1617450-00		PULSE XFMR,RATIO 40:3,3:1	1	T3
83	83		1618879-00		XFMR P=150W	1	T1
84	84		1617557-00		XFMR,CURRENT RATIO 1:2:100 PC MT	1	T2
85	85		1617668-00		35.0 UH 20% 15A	1	L2
86	86		1617667-00		200.0 UH 2A	1	L1
87	87		1917908-00		LM 358N OP AMP DUAL LOW POWE	2	E4,E6
88	88		1915819-00		3527A MODULATOR,REGULATING	1	E1
89	89		1917059-00		3543 P.S. SUPERVISORY CIR	1	E3
90	90		1914156-00		LM 393 VOLT.COMPARATOR DUAL	1	E5
91	91		9006010-01		SCREW,MACH PAN PHIL 4-	2	
92	92		9006556-00		NUT,HEX 4-40X .264AF SS/N	2	
93	93		9006688-00		WASHER,HELICAL SPLIT SST	2	
94	94		9009769-00		WASHER,RECTNGLR STEEL	3	
95	95		9008268-00		COMPOUND, THERMAL JOINT	A/R	
96	96	BLANK			*** THIS ITEM IS NOT USED ***	-	
97	97		9006024-01		SCREW,MACH PAN PHIL 6-	2	
98	98		9007801-00		WASHER,HELICAL SPLIT SST	3	
99	99		9006656-00		WASHER,FLAT STEEL	1	
100	100		9008059-00		NUT,HEX SLF-LOCK NYL INS 10-32	2	
101	101	BLANK			*** THIS ITEM IS NOT USED ***	-	
102	102		9009968-00		WASHER,FLAT SST	2	
103	103		9008957-00		NUT,HEX 6-32X .246AF SS/N	1	
104	104	BLANK			*** THIS ITEM IS NOT USED ***	-	
105	105		9107592-02		WIRE,TWP 24AWG(07/32)IPVC 150V	A/R	
106	106		1911944-00		555CN TIMER,FUNCT.BLOCK	1	E2
107	107		1314951-00		390.0 K .25 W 5.0 % CF	1	R22
108	108		1218375-00		THERMOSTAT,0@170,C@220,NORM OPEN	1	S1
109	109		1215228-01		HEAT SINKS,T0-220 0.920X0.87	2	
110	110		9009676-00		TERM,SOLDER BARRIER STR	1	
111	111	BLANK			*** THIS ITEM IS NOT USED ***	-	

112 NOTE: ITEM NO 105 IS .75 FT.

D	I	G	I	T	A	L	TITLE	H7213 MEMORY REGULATOR	SECTION A	OF A	SIZE	CODE	DOCUMENT NUMBER	REV
											K	PL	5413869-0-DBP	E

THIS DRAWING IS THE PROPERTY OF THE UNITED STATES GOVERNMENT AND IS LOANED TO YOU BY THE NATIONAL BUREAU OF STANDARDS. IT IS TO BE RETURNED TO THE NATIONAL BUREAU OF STANDARDS, 4301 RESISTANCE AVENUE, GAITHERSBURG, MARYLAND 20899.



SEC. 13V RTN J3 10
 SEC. 13V SENSE A
 SEC. 13V SENSE B
 SEC. 13V SENSE C
 SEC. 13V SENSE D

SEC. 13V RTN J3 10
 J3-5,6,7

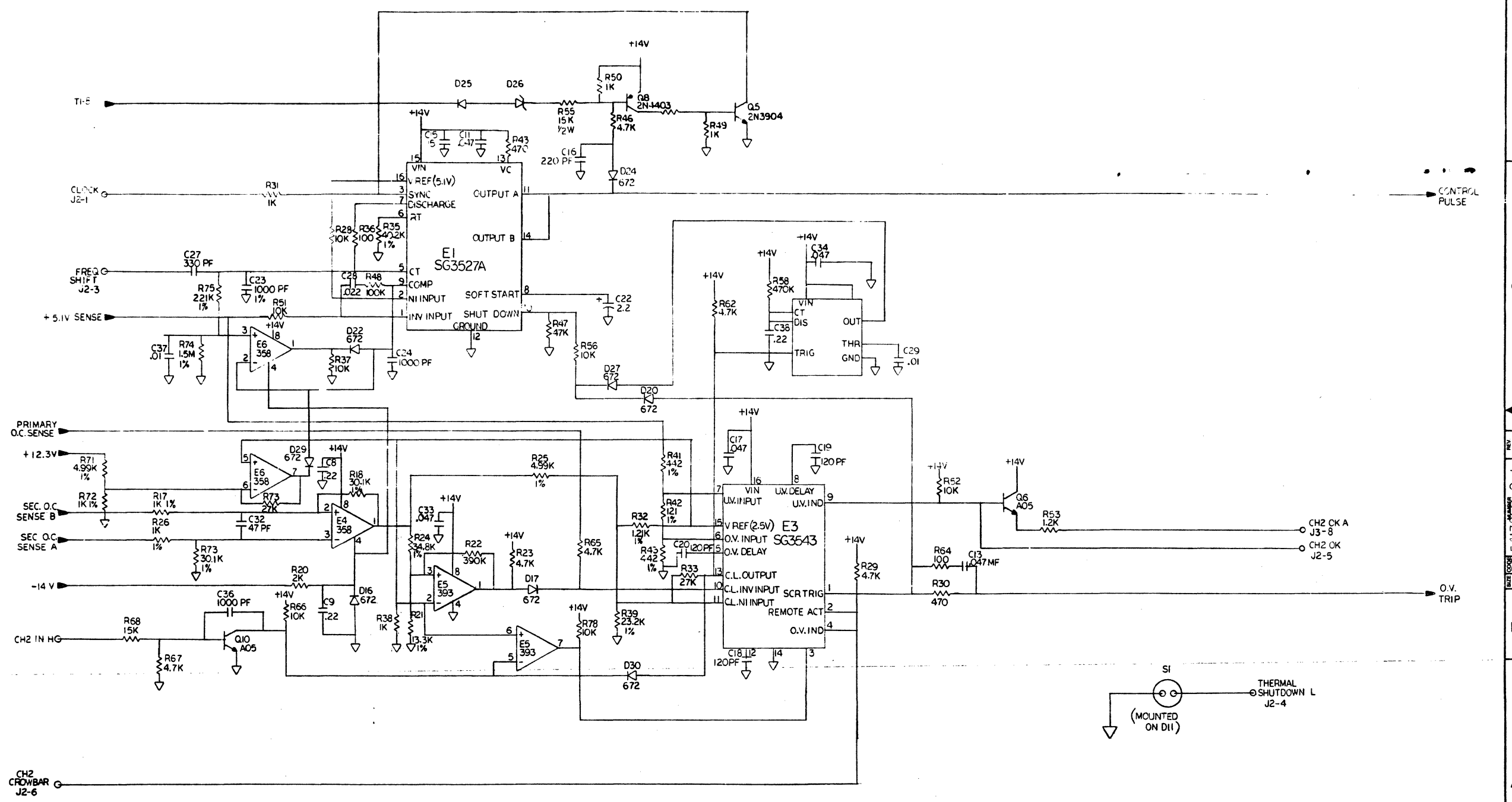
PRIMARY SENSE

REV.	ECO NUMBER	DATE	BY	CHKD BY
1	5413869-1	11-16-62	Thomas F. Walsh	
2	5413869-2	11-16-62	Thomas F. Walsh	
3	5413869-3	1-17-63	B. Stetler	
4	5413869-4	1-17-63	B. Stetler	
5	5413869-5	1-18-63	Robert M. Wolf	

DESIGNED BY Thomas F. Walsh	DATE 11-16-62	TITLE H7213 MEMORY REGULATOR	digital
DESIGNED BY Thomas F. Walsh	DATE 11-16-62	DOCUMENT NUMBER DCS 5413869-0-1	E
DESIGNED BY B. Stetler	DATE 1-17-63	SCALE 2/1	SHEET 1 - 2
DESIGNED BY B. Stetler	DATE 1-17-63		
DESIGNED BY Robert M. Wolf	DATE 1-18-63		

8 7 6 5 4 3 2 1

THIS DRAWING AND SPECIFICATIONS HEREIN ARE THE PROPERTY OF DIGITAL EQUIPMENT CORPORATION AND SHALL NOT BE REPRODUCED OR COPIED IN WHOLE OR IN PART AS THE BASIS FOR THE MANUFACTURE OR SALE OF ITEMS WITHOUT WRITTEN PERMISSION. COPYRIGHT © DIGITAL EQUIPMENT CORPORATION



REVISION HISTORY		
DATE	ECO NUMBER	REV.

DOCUMENT NUMBER		
SIZE	CODE	NUMBER
D	CS	5413869-0-1
SCALE 2/1		SHEET 2 OF 2

TITLE
H7213
MEMORY REGULATOR



LINE ITEM	TOP DOCUMENT	PART NUMBER	MIN REV DESCRIPTION	QTY PER VARIATION				
				BC C1	BB D1	BD D1	BA D1	BF D1
1	D-UA-M8190-0-0	M8190-00	15MHZ KDJ11-B QUAD CPU MOD W/UNU	1	-	-	-	-
2	D-UA-M8190-0-1	M8190-AB	15MHZ QUAD CPU MOD,DCJ11-AA,2 B0	-	1	-	-	-
3	D-UA-M8190-0-1	M8190-AC	15MHZ QUAD CPU MOD,DCJ11-AA,2 B0	-	-	1	-	-
4	D-UA-M8190-0-1	M8190-AD	18MHZ QUAD CPU MOD,DCJ11-AA,2 B0	-	-	-	1	-
5	D-UA-M8190-0-1	M8190-AE	18MHZ QUAD CPU MOD,DCJ11-AA,2 B0	-	-	-	-	1

REVISION HISTORY			BASIC PART NO: KDJ11			DRN: D. HEALY		DATE: 30-MAY-84		D I G I T A L	
ENG	ECO NUMBER	REV	SECTION A OF A	CHK'D:	D. HEALY	DATE:	07-03-84	TITLE PARTS LIST			
---	INITIAL	A	SECTION VARIATION INDEX	DES.ENG:	M. TEHRANIAN	DATE:	07-03-84	DOCUMENT NUMBER			
JJ	KDJ11-B-TW001	B	(A)BC, BB, BD, BA, BF	RESP.ENG.:	M. TEHRANIAN	DATE:	07-03-84	SIZE	CODE	NUMBER	REV
			(B)	MFG.ENG.:	C. GORDEN	DATE:	07-03-84	K	PL	KDJ11-B-DBP	B
			(C)	ASSEMBLY NUMBER:		TOP DOCUMENT NUMBER:		RELEASE DATE: 20-NOV-85			
			(D)			B-DD-KDJ11-B-DBU		FILE NAME:	Z9957B.PLS	EDIT #	4
			(E)								
			(F)								

"THIS DRAWING AND THE SPECIFICATIONS CONTAINED HEREIN ARE CONFIDENTIAL AND PROPRIETARY. THEY ARE THE PROPERTY OF DIGITAL EQUIPMENT CORPORATION AND SHALL NOT BE REPRODUCED OR COPIED OR USED IN WHOLE OR IN PART AS THE BASIS FOR THE MANUFACTURE OR SALE OF ITEMS WITHOUT WRITTEN PERMISSION. THIS IS AN UNPUBLISHED WORK PROTECTED UNDER THE FEDERAL COPYRIGHT LAWS."

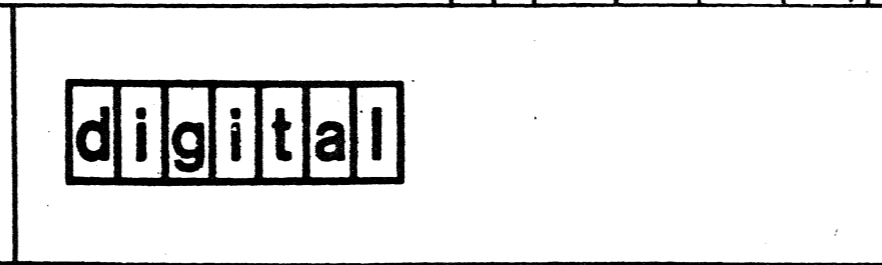
DRAWING NO.	NO. OF SHTS.	PART NO.	DESCRIPTION	REVISIONS															
				A	B	C	D												
B-DD-M8190-0-0	1		KDJ11-B CPU MODULE	A	B	C	D												
		M8190-00	KDJ11-B CPY MODULE	A1	B1	C1	C1												
K-PL-M8190-0-DBP	3		KDJ11-B CPU MODULE	A	B	C	C												
K-CS-M8190-0-DBS	21		KDJ11-B CPU MODULE	A	B	C	C												
D-UA-M8190-0-0	1		KDJ11-B CPU MODULE	A	A	B	B												
K-PC-M8190-0-DBI	-		P.C. DATA BASE	A	A	A	B												
		5016017-01	ETCHED CIRCUIT BOARD	C1	C1	C1	D1												
B-DD-5016017-0-0	1		DRAWING DIRECTORY	A	A	A	B												
K-PL-M8190-0-DBP1	3		KDJ11-B CPU MODULE	-	-	-	A												
D-UA-M8190-0-1	1		KDJ11-B CPU MODULE	-	-	-	A												
K-CS-M8190-0-DBS1	22		KDJ11-B CPU MODULE	-	-	-	A												
		M8190-AB	KDJ11-B CPU MODULE	-	-	-	A1												
		M8190-AC	KDJ11-B CPU MODULE	-	-	-	A1												
		M8190-AD	KDJ11-B CPU MODULE	-	-	-	A1												
		M8190-AE	KDJ11-B CPU MODULE	-	-	-	A1												

NOTES:

REVISION HISTORY		DATE	ECO NO.	REV.	A	B	C	D
	INIT	2/84						
	MLOO1	8/84						
	MLOO2	10/84						
	TW003	3/85						

THIS DRAWING AND THE SPECIFICATIONS CONTAINED HEREIN ARE CONFIDENTIAL AND PROPRIETARY. THEY ARE THE PROPERTY OF DIGITAL EQUIPMENT CORPORATION AND SHALL NOT BE REPRODUCED OR COPIED OR USED IN WHOLE OR IN PART AS THE BASIS FOR THE MANUFACTURE OR SALE OF ITEMS WITHOUT WRITTEN PERMISSION. THIS IS AN UNPUBLISHED WORK PROTECTED UNDER THE FEDERAL COPYRIGHT LAWS.

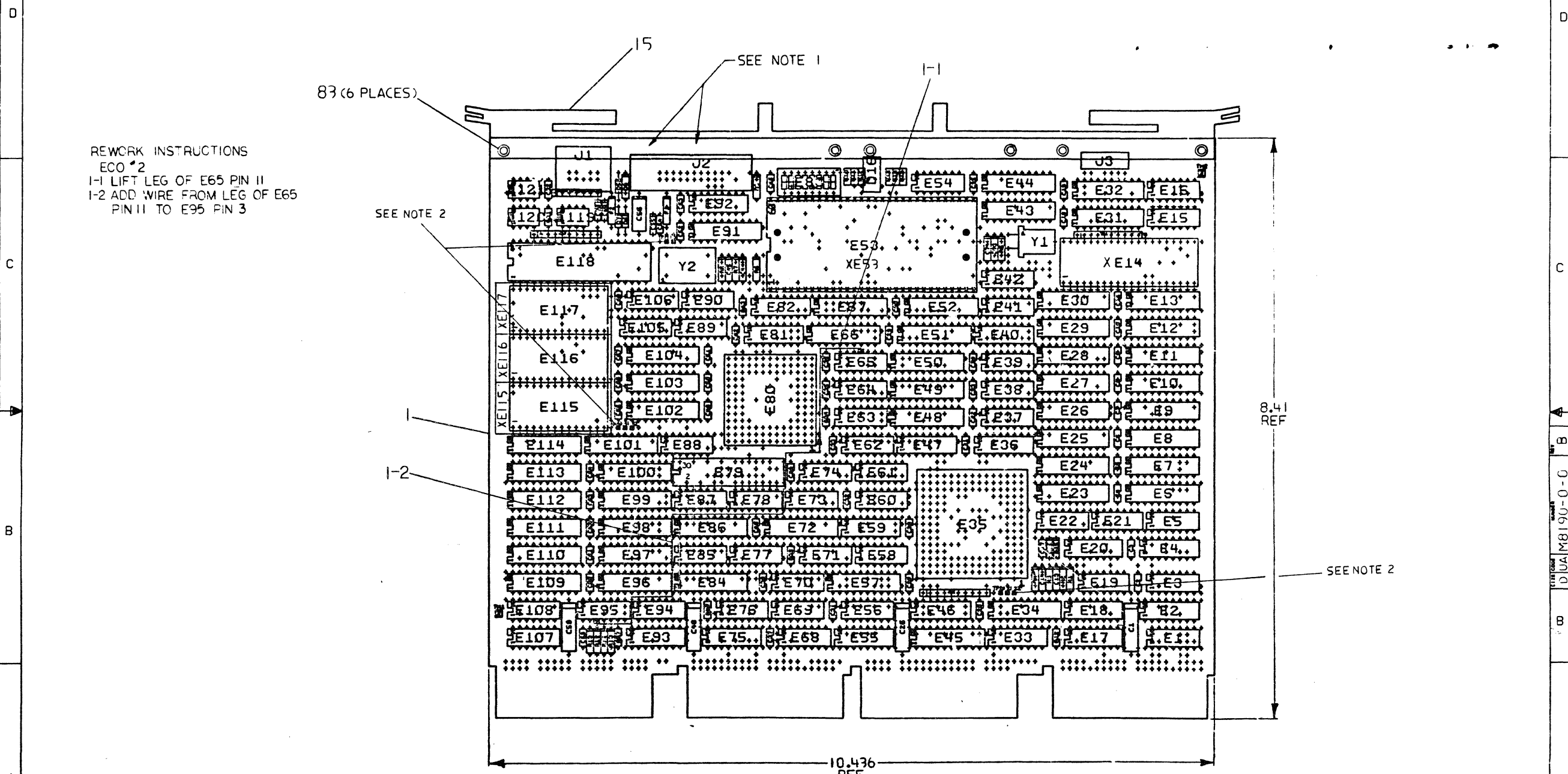
1984



DRN. JERRY JASON	DATE 10/2/84	TITLE	
CHK'D S. BOURBEAU	DATE 10/2/84	CPU MODULE	
DES. ENG. M. THERARIAN	DATE 10/2/84	DOCUMENT NUMBER	
RESP. ENG. M. THERARIAN	DATE 10/2/84	SIZE B	CODE DD
MFG. ENG. C. GORDON	DATE 10/2/84	NUMBER M8190-0-0	REV. D
		SHEET 1 OF 1	

THIS DRAWING AND SPECIFICATIONS, HEREIN, ARE THE PROPERTY OF DIGITAL EQUIPMENT CORPORATION AND SHALL NOT BE REPRODUCED OR COPIED IN ANY MANNER OR IN PART OR THE WHOLE FOR THE MANUFACTURE OF ANY OF THESE WITHOUT WRITTEN PERMISSION. COPYRIGHT © 1974 DIGITAL EQUIPMENT CORPORATION

COMPONENT SIDE VIEW



REWORK INSTRUCTIONS
ECO #2
I-1 LIFT LEG OF E65 PIN 11
I-2 ADD WIRE FROM LEG OF E65
PIN 11 TO E95 PIN 3

NOTES: 1. ONLY SIX EYELETS USED.
2. W10 IS BETWEEN TP03 & TP11.
W20 IS BETWEEN TP20 & TP21.
W40 IS BETWEEN TP40 & TP41

STEP	Y AXIS	STEP	TIMES
REPEAT	X AXIS	STEP	TIMES

CHANGE NO	REV
1	B
2	C
3	D
4	E
5	F
6	G
7	H
8	I
9	J
10	K
11	L
12	M
13	N
14	O
15	P
16	Q
17	R
18	S
19	T
20	U
21	V
22	W
23	X
24	Y
25	Z

ETCH REV. C1

SIGNATURES	DATE	TITLE
DRN. J. R. King	8/28/74	CPU MODULE
CHK'D. J. R. King	8/28/74	
MECH. ENG. Peter Robinson	10/28/74	
PROJ. ENG. J. R. King	10/28/74	
PROD. J. R. King	10/28/74	
SCALE 1.571		SIZE CODE NUMBER REV
SHT. 1 OF 1		0 UA M8190-0-0 3
NEXT HIGHER ASSY. 8-00-M8190-0		

LINE	ITEM	TOP DOCUMENT	PART NUMBER	MIN REV	DESCRIPTION	QTY PER VARIATION	REFERENCE DESIGNATOR
					VARIATION REVISION LEVEL:	00 A1	
1	1	D-MD-5016017-0-0	5016017-01		DRILL AND ETCH BOARD	1	
2	2		1002627-00		2.2MFD 20V 10% S.TANT	1	C56
3	3		1013466-19		470.0 MMF 50V 5% CER	2	C13,C14
4	4		1013466-25		68.0 MMF 50V 5% CER	2	C73,C74
5	5		1013466-45		220.0 MMF 1 50V 1% NPO CER	2	C44,C45
6	6		1014265-02		.33 MFD 50V +80-20% CER	58	C2,C3,C4,C5,C6,C7,C8,C9,C10,C11, CONT C12,C17,C18,C19,C20,C21,C22,C23, CONT C24,C25,C27,C28,C29,C30,C31,C32, CONT C33,C34,C35,C36,C37,C38,C39,C40, CONT C41,C42,C43,C46,C47,C49,C50,C51, CONT C52,C53,C54,C57,C58,C60,C61,C62, CONT C63,C64,C65,C66,C67,C68,C71,C72
7	7		1016681-00		.47 MFD 50V +80-20% CER	5	C15,C16,C55,C69,C70
8	8		1017472-00		10 MFD 35V +75-10% AL EL	4	C1,C26,C48,C59
9	9		1105275-00		PIV= 60 IO=300 MA -15NS	3	D5,D6,D7
10	10		1109977-00		VZ= 4.3 5% 1N749A	1	D8
11	11		1114136-00		LED 16MA 5V	6	D10,D11,D12,D13,D14,D15
12	12		1117373-00		LED ASSY GREEN	1	D16
13	13		1209941-06		PCB,HEADER 20PIN(2X20).100CC 90D	1	J2
14	14		1210929-02		FUSE, SUB-MINI 1.000A, 125V, A	2	F1,F2
15	15		1213113-01		HANDLE,MODULE,	1	
16	16		1213506-04		PCB HEADER 09PIN(2X05).100CC 90D	1	J1
17	17		1214434-00		PCB,HEADER 07PIN(1X06).100CC 90D	1	J3
18	18		1215006-07		SKT,IC 28PIN DIP TIN SOLD	3	XE115,XE116,XE117
19	19		1215006-08		SKT,IC 40PIN DIP TIN SOLD	1	XE14
20	20		1216116-01		SKT,IC 60PIN DIP	1	XE53
21	21		1217310-05		SW,DIP 8POS/1PST 5VDC100MA S	1	E83
22	22		1218783-00		JUMPER 02POS(1X02).100CC	3	W10,W20,W40
23	23		1300447-00		4.70 K .25 W 5.0 % CF	3	R1,R10,R11
24	24		1301320-00		1.20 K .25 W 5.0 % CF	1	R4

REVISION HISTORY		BASIC PART NO: M8190		DRN:	JERRI JASON	DATE:	08-FEB-84	D I G I T A L			
ENG	ECO NUMBER	REV	SECTION A OF A	CHK'D:	SUE BOURBEAU	DATE:	08-FEB-84	TITLE PARTS LIST			
	INITIAL	A	SECTION VARIATION INDEX					CPU MODULE			
HC	M8190-ML001	B	[A] 00					DOCUMENT NUMBER			
MT	M8190-ML002	C	[B]					SIZE	CODE	NUMBER	REV
			[C]		DES.ENG: JOHN JARZOBSKI		08-FEB-84	K	PL	M8190-0-DBP	C
			[D]					RELEASE DATE: 23-OCT-84			
			[E]		RESP.ENG.: JOHN JARZOBSKI		08-FEB-84				
			[F]								
			[G]		MFG.ENG.: CARLTON GORDON		08-FEB-84				
			[H]								
			[I]		ASSEMBLY NUMBER:			TOP DOCUMENT NUMBER:		FILE NAME:	EDIT #
			[J]		D-UA-M8190-0-0			B-DD-M8190-0-0		Z6237C.PLS	10
			[K]								
			[L]								
			[M]								
			[N]								

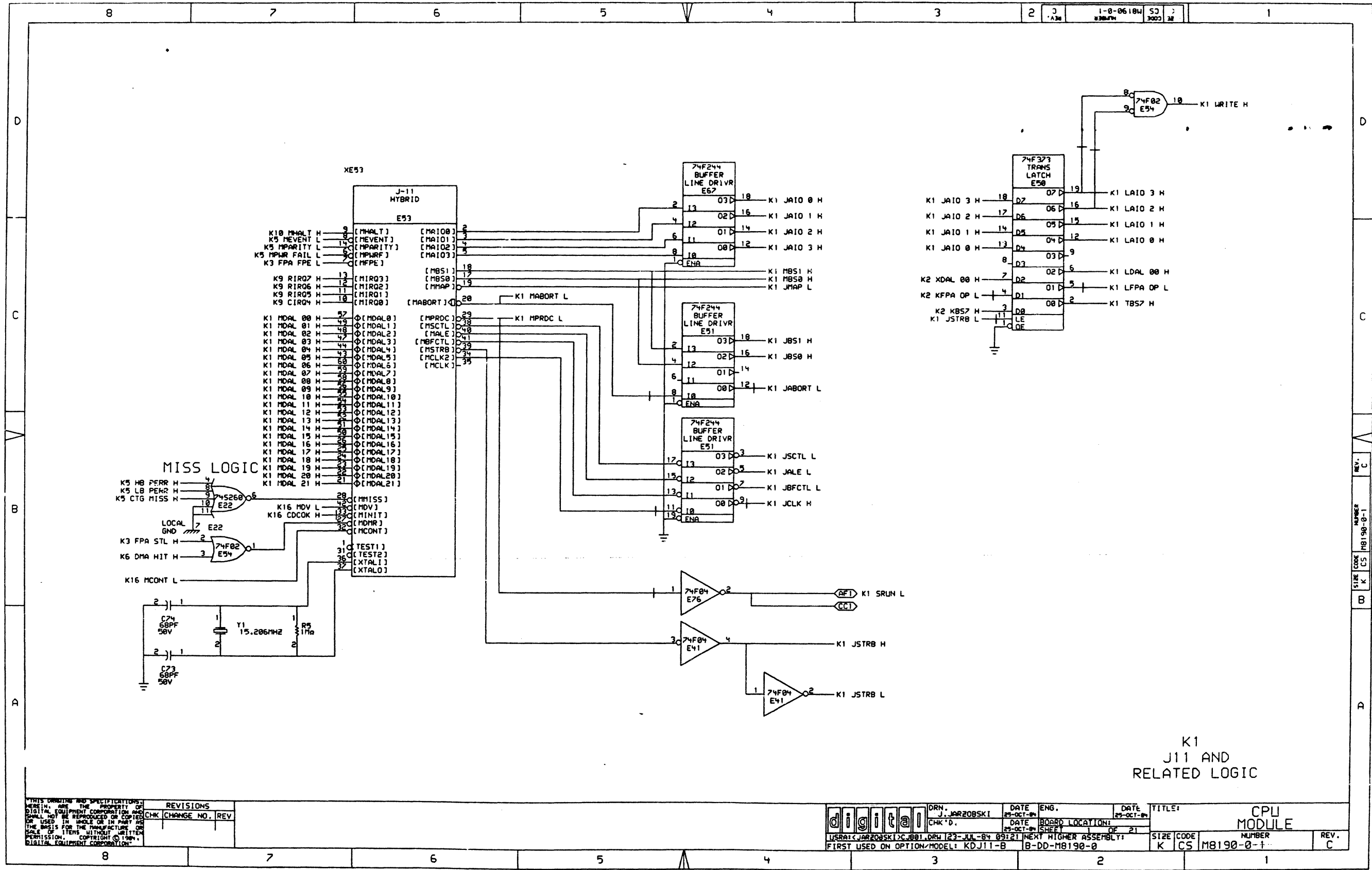
"THIS DRAWING AND THE SPECIFICATIONS CONTAINED HEREIN ARE CONFIDENTIAL AND PROPRIETARY. THEY ARE THE PROPERTY OF DIGITAL EQUIPMENT CORPORATION AND SHALL NOT BE REPRODUCED OR COPIED OR USED IN WHOLE OR IN PART AS THE BASIS FOR THE MANUFACTURE OR SALE OF ITEMS WITHOUT WRITTEN PERMISSION. THIS IS AN UNPUBLISHED WORK PROTECTED UNDER THE FEDERAL COPYRIGHT LAWS."

LINE	ITEM	TOP DOCUMENT	PART NUMBER	MIN REV	DESCRIPTION	QTY	PER VARIATION	REFERENCE DESIGNATOR
					VARIATION REVISION LEVEL:	00		
						A1		
25	25		1301322-00		180.0 .25 W 5.0 % CF	1		R9
26	26		1301477-00		82.0 .25 W 5.0 % CF	1		R2
27	27		1301775-00		820.0 .25 W 5.0 % CF	1		R3
28	28		1302956-00		196.0 .25 W 1.0 % RN55D-F10	1		R13
29	29		1303037-00		90.90 .25 W 1.0 % RN55D-F10	1		R12
30	30		1309595-00		1.0 M .25 W 5.0 % CF	1		R5
31	31		1310636-00		82.50 K .25 W 1.0 % RN55D-F10	1		R6
32	32		1311003-01		R NETWORK 14-180 14-390 16PIN	4		E2,E33,E55,E75
33	33		1314252-00		130.0 K .25 W 1.0 % RN55D-F10	1		R8
34	34		1314990-00		158.0 K .25 W 1.0 % RN55D-F10	1		R7
35	35		1316395-00		R NETWORK 9-4.7K 2.0 % 10PIN	3		Z1,Z2,Z3
36	36		1321653-01		R NETWORK MULTI-VALUE 7PIN	1		Z4
37	37		1621946-01		DELAY= 85NS,6TAPS 28PIN DIP	1		E79
38	38		1809880-10		XTAL 15.206 MHZ	1		Y1
39	39		1811660-62		OSCILLATOR,XTAL 614.4 KHZ	1		Y2
40	40		1910545-00		74S112 FF-JK DUAL,EDGE TRIG	2		E40,E81
41	41		1911469-00	DEC	8640 RECEIVER,BUS,QUAD,U	2		E1,E56
42	42		1911579-00		8641 TRANSCEIVER,BUS,QUA	4		E17,E18,E46,E93
43	43		1911712-00		74S51 AND-OR GATE-INVERT D	2		E63,E107
44	44		1912649-00		LS75 LATCH 4BIT,BISTABLE	1		E4
45	45		1912808-00		LS11 AND GATE-TRIPLE 3IN	1		E105
46	46		1912813-00		LS27 NOR GATE-TRIPLE 3IN	1		E65
47	47		1912818-00		LS38 NAND BUFFER-QUAD 2IN	1		E106
48	48		1912837-00		LS123 ONE SHOT-DUAL,RETRIG	1		E82
49	49		1914085-00		74S260 NOR GATE-DUAL,POS	2		E22,E87
50	50		1915019-00		74S38 NAND BUFFER-QUAD 2IN	1		E69
51	51		1915415-00		9636 DRIVER,DUAL,EIA RS-	1		E120
52	52		1916028-01		9643 DRIVER,TTL TO MOS,D	1		E119
53	53		1919015-00	DC	021 BUS TRANSCEIVER,20PI	3		E34,E45,E57
54	54		1919542-01		9639 RECEIVER,LINE,DUAL	1		E121
55	55		1920442-01		74F374 FF-D,OCTAL,TRI-STATE	10		E48,E49,E72,E86,E96,E97,E98,E99, CONT E100,E101
56	56		1920572-01		74F244 BUFFER/LINE DRIVER,0	3		E51,E67,E91
57	57		1921010-01		74F373 OCTAL TRANSPARENT LA	15		E6,E11,E12,E13,E23,E28,E29,E30, CONT E31,E32,E43,E44,E50,E52,E66
58	58		1921305-01		74F00 NAND GATE,QUAD,2-IN	4		E37,E38,E73,E74
59	59		1921306-01		74F02 NOR GATE,QUAD,2-IN	5		E3,E15,E54,E62,E68
60	60		1921307-01		74F04 HEX INVERTER	6		E19,E41,E58,E64,E76,E94
61	61		1921308-01		74F08 AND GATE,QUAD,2-IN	2		E39,E61
62	62		1921312-01		74F32 OR GATE,QUAD,2-IN	5		E42,E88,E89,E95,E108
63	63		1921313-01		74F64 AND OR INVERT GATE,4-	3		E16,E71,E78
64	64		1921314-01		74F74 FF-D,DUAL,POS.,EDGE	5		E60,E70,E77,E85,E90
65	65		1921316-01		74F138 DECODER/DEMUX,1-OF-8	1		E59
66	66		1921318-01		74F151 MUX,8-IN	2		E36,E47
67	67		1921323-01		74F174 FF-D,HEX	1		E92
68	68		1921329-01		74F253 MUX,DUAL,4-IN	1		E20
69	69		1921332-01		74F280 PARITY GEN/CHECK,9-B	2		E5,E21
70	70		2117312-00		UART DL-11 SOFTWARE	1		E118

D	I	G	I	T	A	L	TITLE	SECTION A	OF	A	SIZE	CODE	DOCUMENT NUMBER	REV
							CPU MODULE				K	PL	M8190-0-DBP	C

LINE	ITEM	TOP DOCUMENT	PART NUMBER	MIN REV	DESCRIPTION	QTY	PER VARIATION	REFERENCE DESIGNATOR
					VARIATION REVISION LEVEL:	00		
						A1		
71	71		2119250-01		4KX4 STATIC RAM 45NS	11		E7,E8,E9,E10,E24,E25,E26,E27, E102,C103,C104
72	85		2122770-01		DC350 CTAG/BUS ARBITRATOR 144 GA	1	CCNT	E35
73	86		2122800-01		DC351 GATE ARRAY,KDJ11-B,120PIN	1		E80
74	72		23N1 -01		2048X 8 EPROM	1		E115
75	73		23001L2-00		L2-01	1		E84
76	74		23040E5-00		*** THIS ITEM IS NOT USED ***	-		
77	75		23041E5-00		*** THIS ITEM IS NOT USED ***	-		
78	76		23057B2-00		B2-02	1		E114
79	77		23058B2-00		B2-02	1		E113
80	78		23059B2-00		B2-02	1		E112
81	79		23060B2-00		B2-02	1		E111
82	80		23061B2-00		B2-02	1		E110
83	81		23062B2-00		B2-02	1		E109
84	82		5719400-04		HYBRID,ASSY W/2 CHIPS 15MHZ	1		E53
85	83		9000024-01		EYELET,ROLLED 0.1210DX0.192	6		
86	84		9009149-01		PIN,STAKNG 0.0250DX0.345LG SQUAR	8		TP10,TP11,TP20,TP21,TP22,TP40, TP41,TP42
87	87		23077E5-00		E5-02	1	CONT	E116
88	88		23078E5-00		E5-02	1		E117
89	89		9105740-55		WIRE(WRAP) 30AWG KYNAR UL14 A/R			

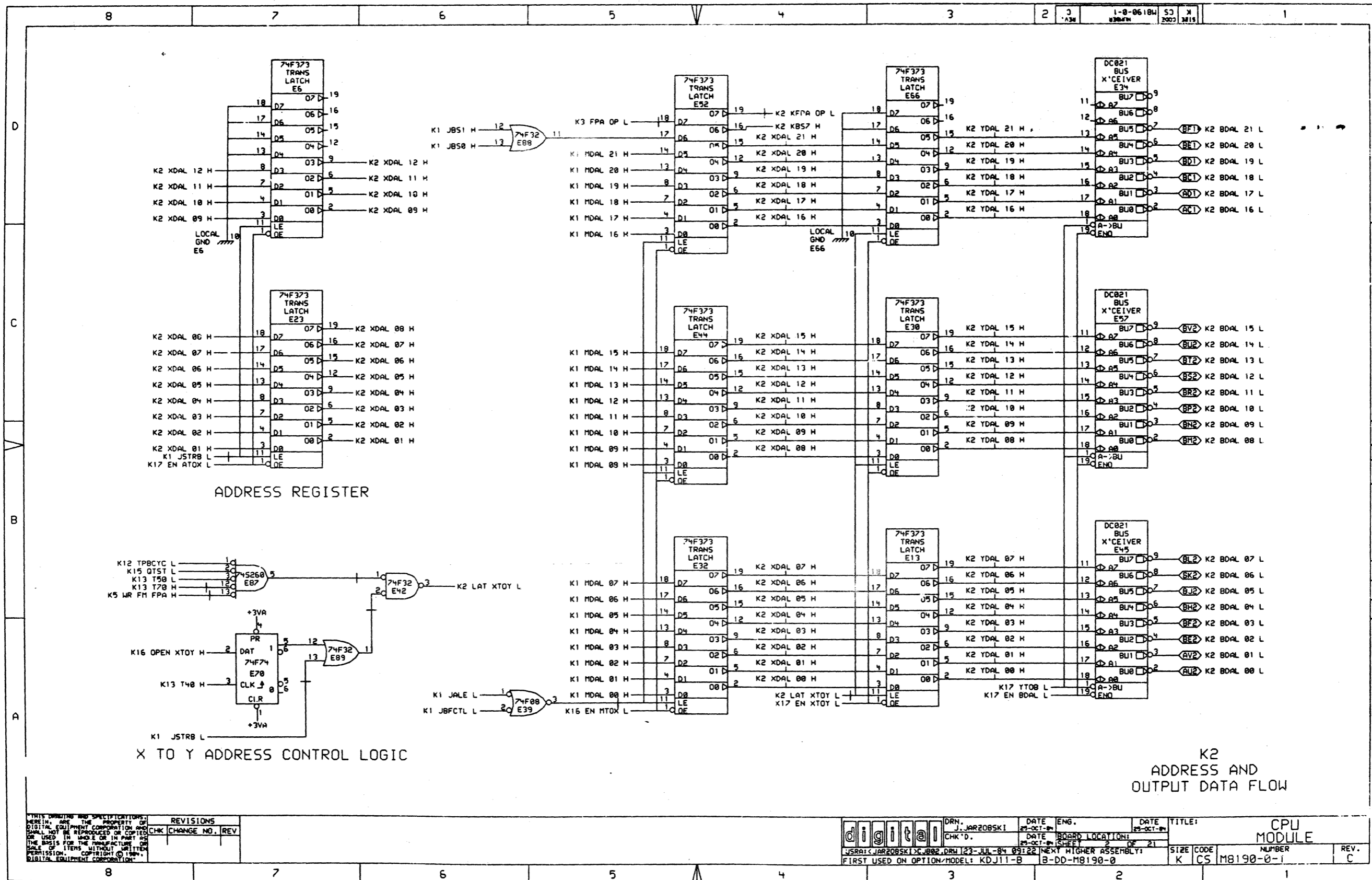
D	I	G	I	T	A	L	TITLE	SECTION A	OF	A	SIZE	CODE	DOCUMENT NUMBER	REV
							CPU MODULE				K	PL	M8190-0-DBP	C



THIS DRAWING AND SPECIFICATIONS HEREIN ARE THE PROPERTY OF DIGITAL EQUIPMENT CORPORATION AND SHALL NOT BE REPRODUCED OR COPIED OR USED IN WHOLE OR IN PART OR FOR THE MANUFACTURE OR SALE OF ITEMS WITHOUT WRITTEN PERMISSION. COPYRIGHT © 1984, DIGITAL EQUIPMENT CORPORATION.

REV.	CHG	CHANGE NO.	REV.

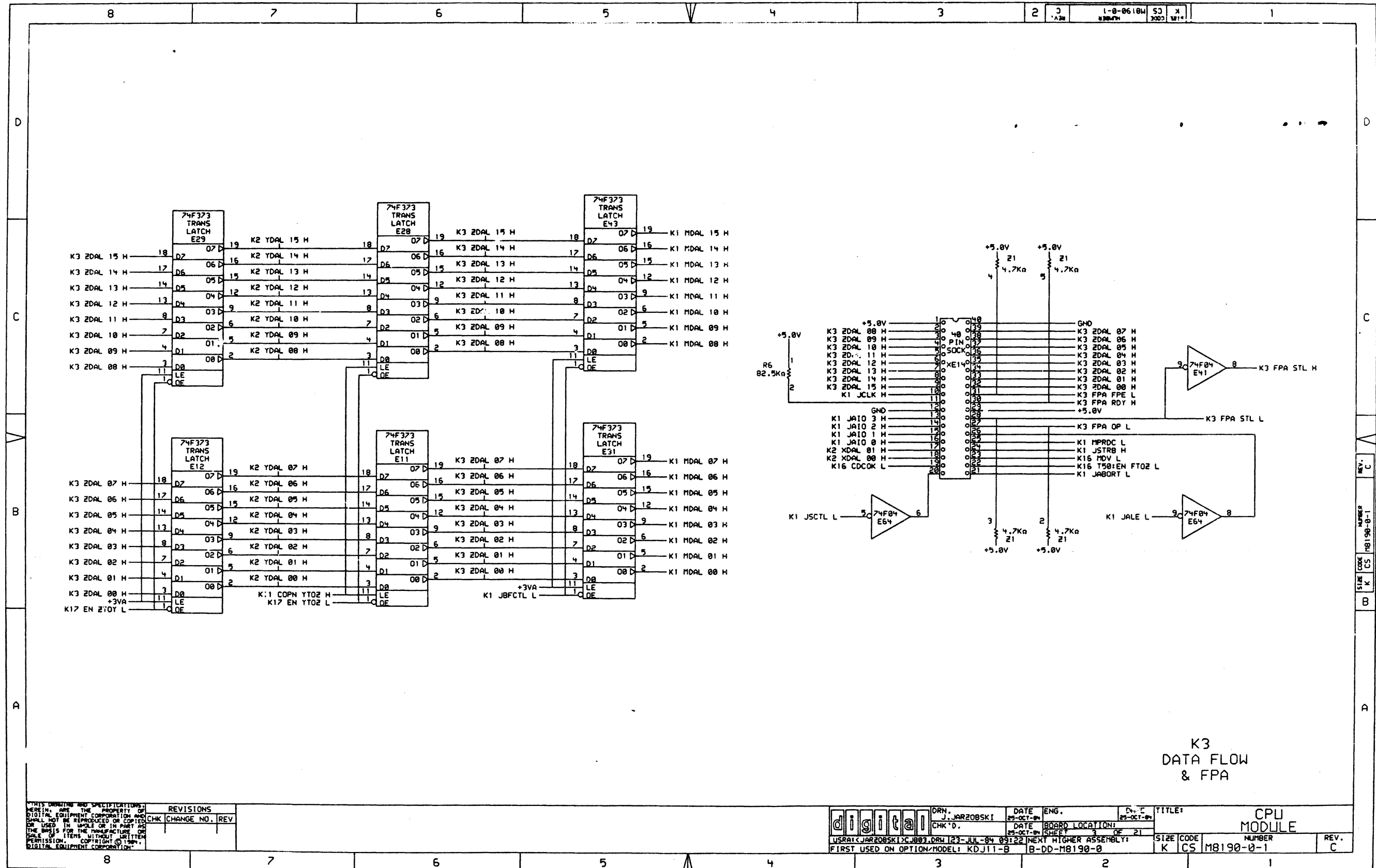
DRN. J. JARZOSKI	DATE ENG. 25-OCT-84	DATE 25-OCT-84	TITLE: CPU MODULE
CHK'D.	DATE BOARD LOCATION: 25-OCT-84	SHEET 1 OF 21	NUMBER M8190-0-1
FIRST USED ON OPTION/MODEL: KDJ11-B			REV. C



THIS DRAWING AND SPECIFICATIONS
HEREIN, ARE THE PROPERTY OF
DIGITAL EQUIPMENT CORPORATION AND
SHALL NOT BE REPRODUCED OR COPIED
OR USED IN WHOLE OR IN PART AS
THE BASIS FOR THE MANUFACTURE OR
SALE OF ITEMS WITHOUT WRITTEN
PERMISSION. COPYRIGHT © 1984,
DIGITAL EQUIPMENT CORPORATION.

REVISIONS	
CHK	CHANGE NO. REV

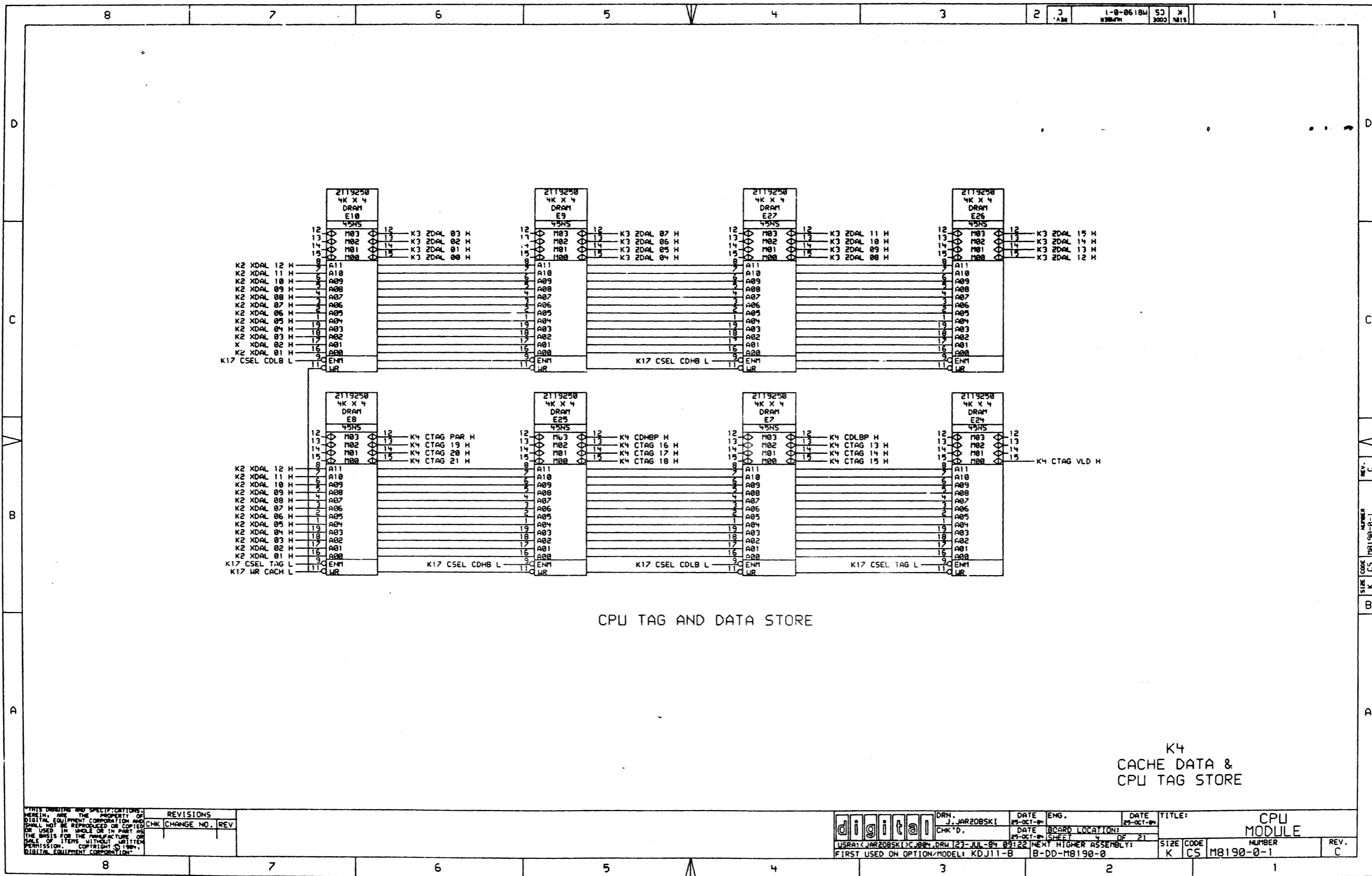
digital	DRN.	DATE	ENG.	DATE	TITLE:
	CHK'D.	23-OCT-84	J. JARZOSKI	23-OCT-84	CPU MODULE
FIRST USED ON OPTION MODEL: KDJ11-B		DATE	BOARD LOCATION:	SHEET	OF
		23-OCT-84	B-DD-M8190-0	21	
SIZE	CODE	NUMBER	REV.		
K	C5	M8190-0-1	C		



REVISIONS	
CHK	CHANGE NO. REV.

digital	DRN. J. JARZOBSKI	DATE 25-OCT-84	ENG.	DATE 25-OCT-84	TITLE: CPU MODULE
	CHK'D.	DATE 25-OCT-84	BOARD LOCATION: DE 21	SHEET 21	NUMBER M8190-0-1
USRA1 JARZOBSKI DC 883 DRW 123 JUL 84 09122 NEXT HIGHER ASSEMBLY: B-DD-M8190-0			SIZE CODE K CS	REV. C	

REV. C
 NUMBER M8190-0-1
 SIZE CODE K CS



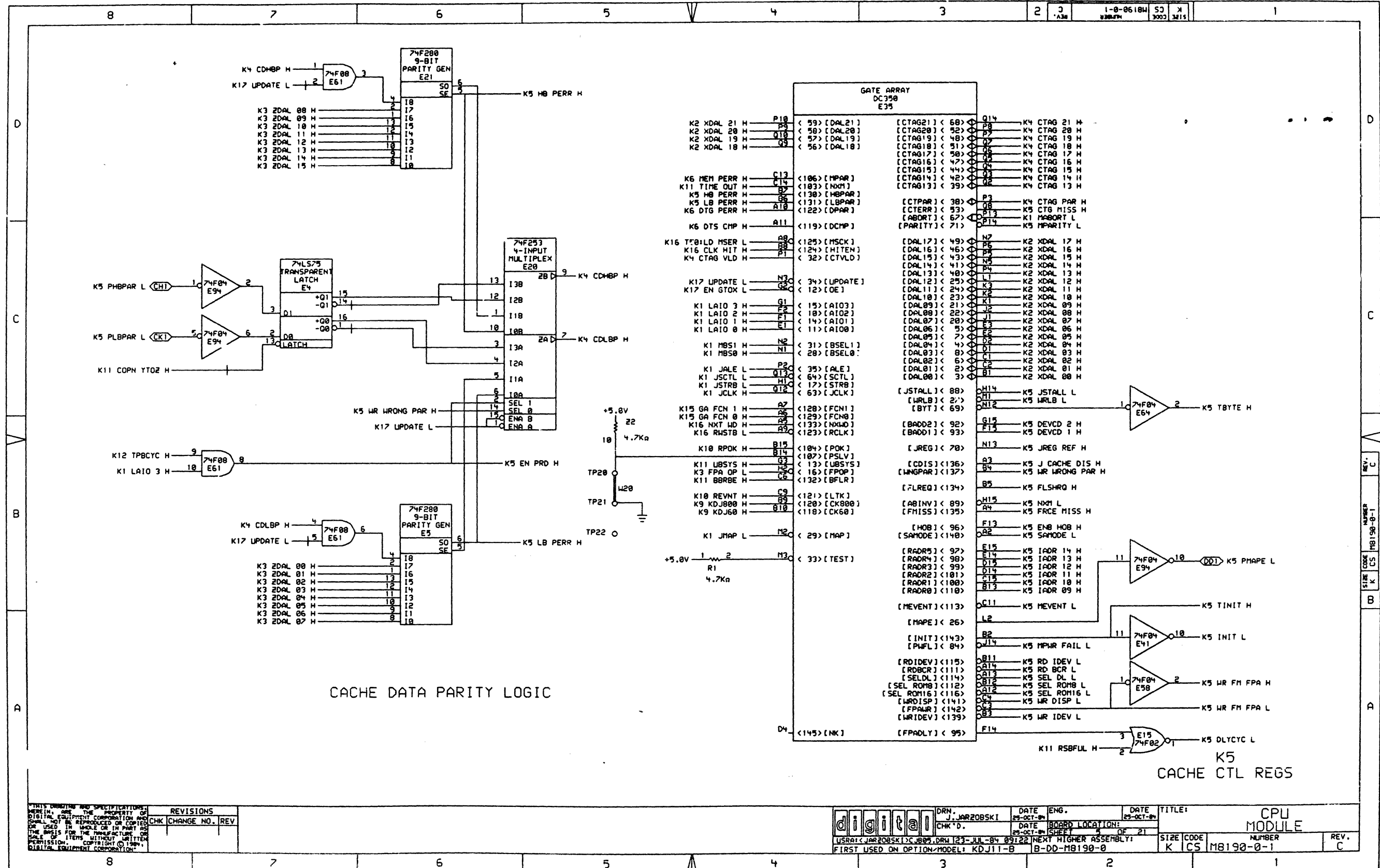
CPU TAG AND DATA STORE

K4
CACHE DATA &
CPU TAG STORE

THIS DRAWING AND SPECIFICATIONS HEREIN ARE THE PROPERTY OF DIGITAL EQUIPMENT CORPORATION AND SHALL NOT BE REPRODUCED OR COPIED OR USED IN WHOLE OR IN PART AS THE BASIS FOR THE MANUFACTURE OR SALE OF ITEMS WITHOUT WRITTEN PERMISSION. COPYRIGHT © 1984, DIGITAL EQUIPMENT CORPORATION.

REV.	CHANGE NO.	CHK	REVISIONS

digital	DRN. J. JARZOSKI	DATE 25-OCT-84	ENG.	DATE 25-OCT-84	TITLE: CPU MODULE
	CHK'D.	DATE 25-OCT-84	BOARD LOCATION: 4 OF 21	SHEET 4 OF 21	NUMBER M8190-0-1
USRA: JARZOSKI \CJ884.DRW 23-JUL-84 09:22 NEXT HIGHER ASSEMBLY: B-DD-M8190-0					REV. C

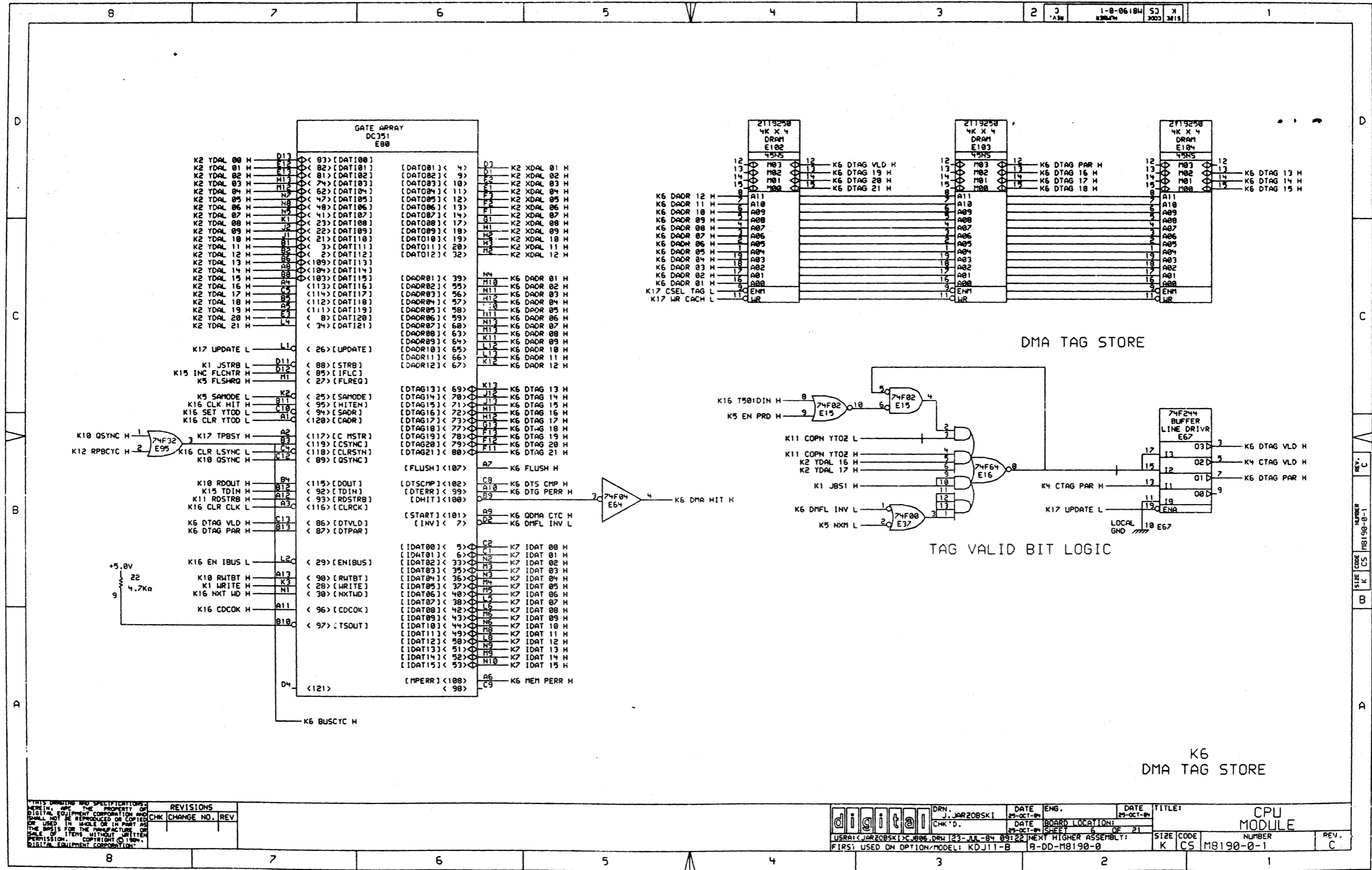


THIS DRAWING AND SPECIFICATIONS ARE THE PROPERTY OF DIGITAL EQUIPMENT CORPORATION AND SHALL NOT BE REPRODUCED OR COPIED OR USED IN WHOLE OR IN PART AS THE BASIS FOR THE MANUFACTURE OR SALE OF ITEMS WITHOUT WRITTEN PERMISSION. COPYRIGHT © 1984 DIGITAL EQUIPMENT CORPORATION.

REV.	NO.	DESCRIPTION
1	1	INITIAL RELEASE

REV.	NO.	DESCRIPTION
1	1	INITIAL RELEASE

digital	DRN. J. JARZOSKI	DATE 29-OCT-84	ENG.	DATE 29-OCT-84	TITLE: CPU MODULE
	CHK'D.	DATE 29-OCT-84	BOARD LOCATION: 21		
	USRA1: JARZOSKI: C: 899: DRW 123: JUL-84 89122	NEXT HIGHER ASSEMBLY: B-DD-M8190-0	SIZE CODE: K ICS	NUMBER: M8190-0-1	REV. C
	FIRST USED ON OPTION MODEL: KDJ11-B				

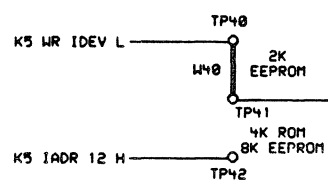
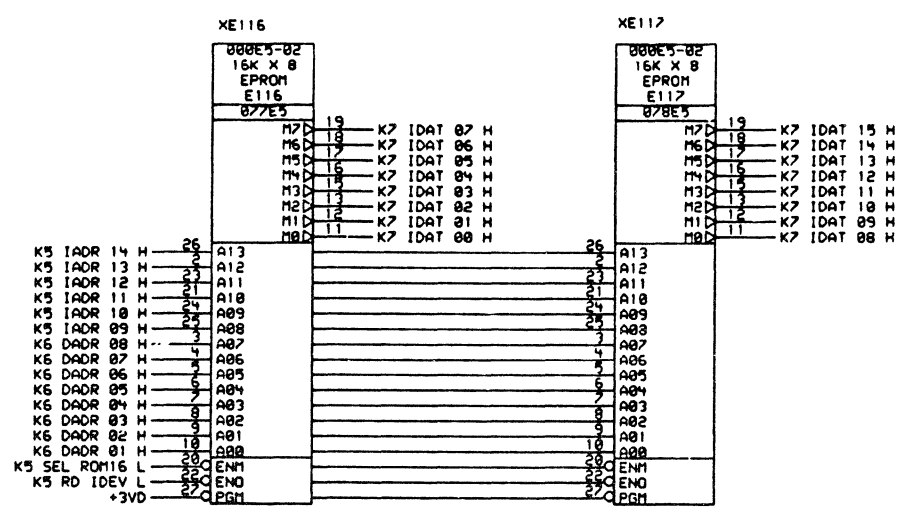


THIS DRAWING AND SPECIFICATIONS ARE THE PROPERTY OF DIGITAL EQUIPMENT CORPORATION AND SHALL NOT BE REPRODUCED OR COPIED OR USED IN WHOLE OR IN PART AS THE BASIS FOR THE MANUFACTURE OR SALE OF ANY ITEMS WITHOUT WRITTEN PERMISSION. COPYRIGHT © 1984, DIGITAL EQUIPMENT CORPORATION.

REV.	NO.	DESCRIPTION
1	1	INITIAL RELEASE

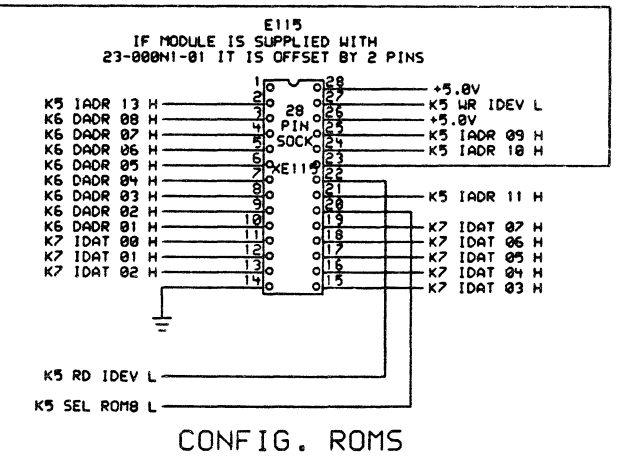
REV.	NO.	DESCRIPTION
1	1	INITIAL RELEASE

digital	DRN. J. JARZOSKI	DATE 25-OCT-84	ENG.	DATE 25-OCT-84	TITLE: CPU MODULE
	CHK'D.	DATE 25-OCT-84	BOARD LOCATION: SHEET 6 OF 21	SIZE CODE K CS	NUMBER M8190-0-1
USRA1<J.JARZOSKI>C.B86.DRM 123-JL-84 09122			NEXT HIGHER ASSEMBLY: B-DD-M8190-0		REV. C
FIRST USED ON OPTION/MODEL: KDJ11-B					



BOOT & DIAGNOSTIC ROMS

OTHER PARTS CAN SUBSTITUTED IN SOCKETS E115, E116, AND E117
SEE PARTS LIST K-PL-M8190-0-DBP FOR CORRECT PARTS

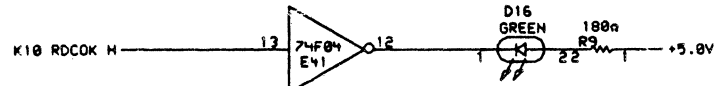
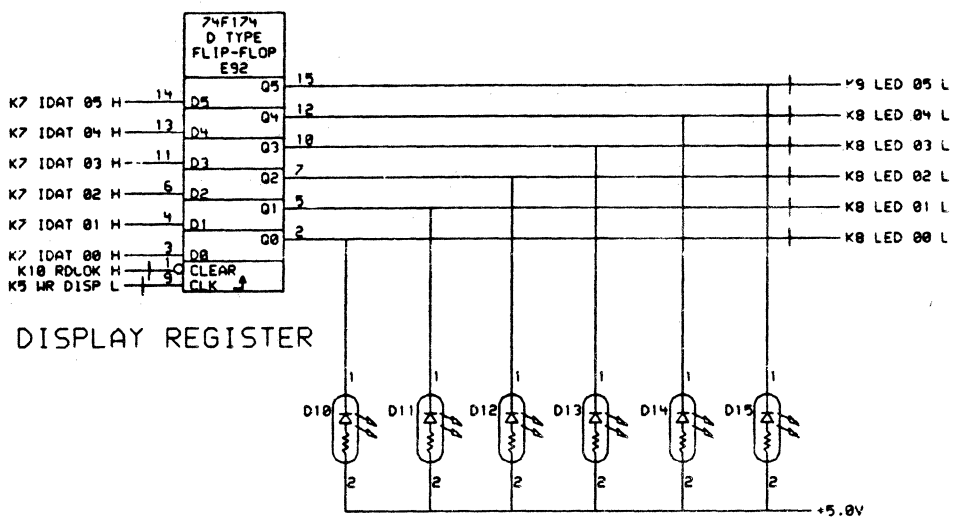


K7
BOOT & DIAG ROMS

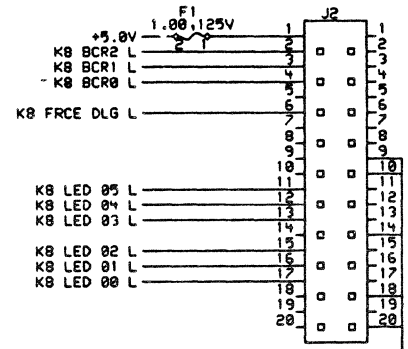
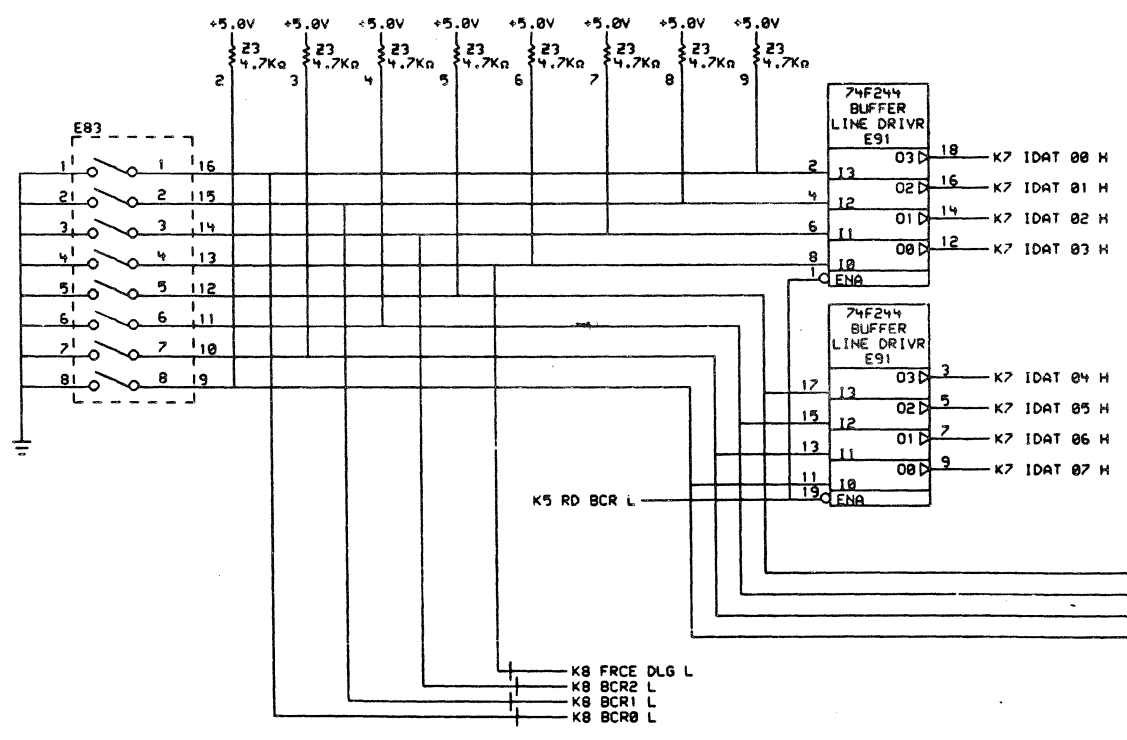
THIS DRAWING AND SPECIFICATIONS, HEREIN, ARE THE PROPERTY OF DIGITAL EQUIPMENT CORPORATION AND SHALL NOT BE REPRODUCED OR COPIED OR USED IN WHOLE OR IN PART AS THE BASIS FOR THE MANUFACTURE OR SALE OF ITEMS WITHOUT WRITTEN PERMISSION. COPYRIGHT © 1984, DIGITAL EQUIPMENT CORPORATION.

REVISIONS		
CHK	CHANGE NO.	REV

	DRN. J. JARZOSKI	DATE 23-OCT-84	ENG.	NOTE	TITLE: CPU MODULE
	CHK'D.	DATE 23-OCT-84	BOARD LOCATION: 7	SHEET 21	NUMBER
FIRST USED ON OPTION/MODEL: KDJ11-B			NEXT HIGHER ASSEMBLY: B-0D-M8190-0		REV. C



CONFIGURATION REG.

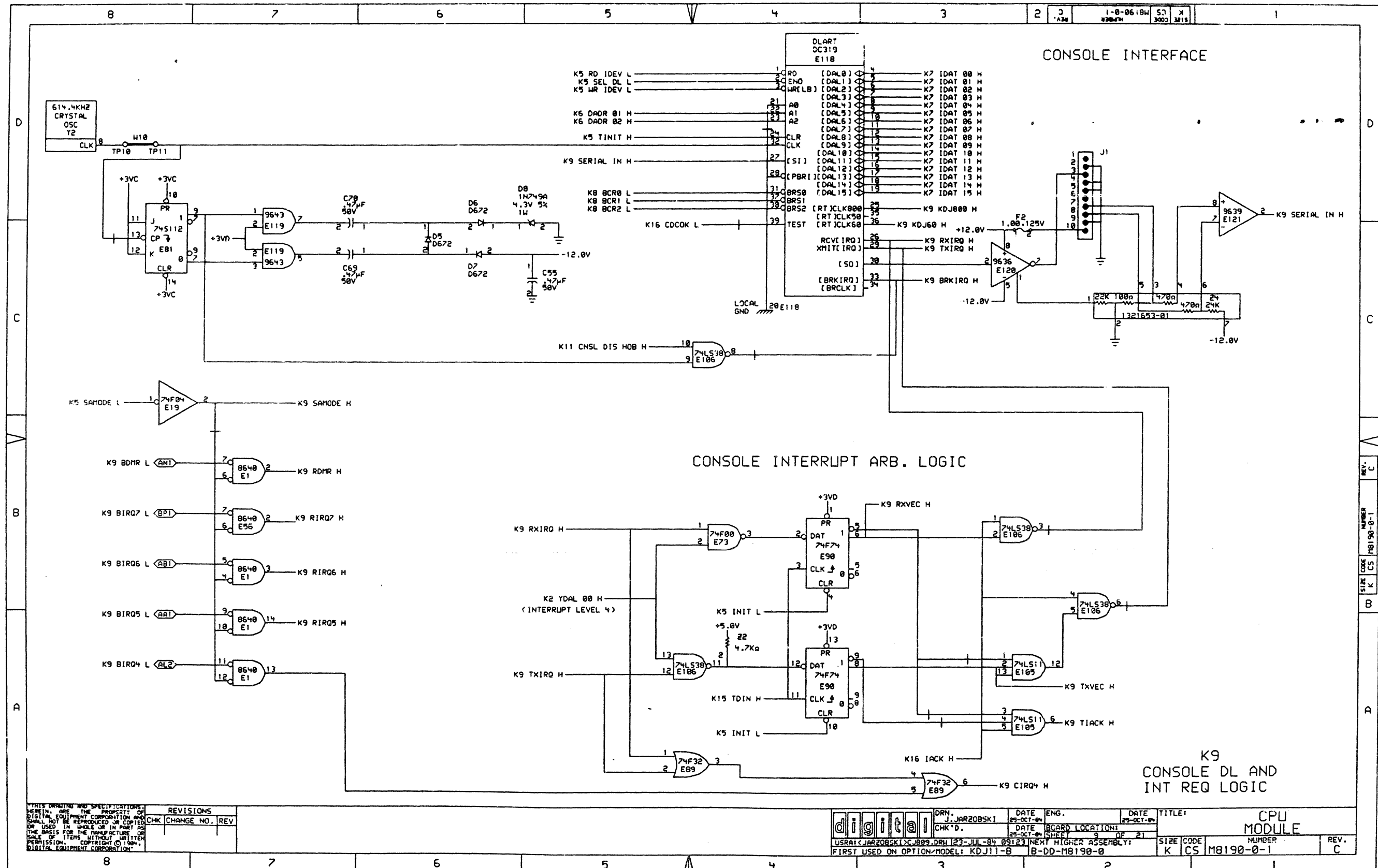


K8
CONFIGURATION &
DISPLAY REGS

PRINTS DRAWING AND SPECIFICATIONS ARE THE PROPERTY OF DIGITAL EQUIPMENT CORPORATION AND SHALL NOT BE REPRODUCED OR COPIED OR USED IN WHOLE OR IN PART AS THE BASIS FOR THE MANUFACTURE OR SALE OF ITEMS WITHOUT WRITTEN PERMISSION. COPYRIGHT © 1984, DIGITAL EQUIPMENT CORPORATION.

REVISIONS	
CHK	CHANGE NO. REV.

digital	DRN. J. JARZOSKI	DATE 25-OCT-84	ENG.	DATE 25-OCT-84	TITLE: CPU MODULE
	CHK'D.	DATE 25-OCT-84	BOARD LOCATION: 9 OF 21	SIZE CODE K ICS	NUMBER M8190-0-1
USRA1(JARZOSKI)CJ888.DRW [23-JUL-84 0912] NEXT HIGHER ASSEMBLY: B-DD-M8190-0		FIRST USED ON OPTION/MODEL: KDJ11-B		REV. C	



CONSOLE INTERFACE

CONSOLE INTERRUPT ARB. LOGIC

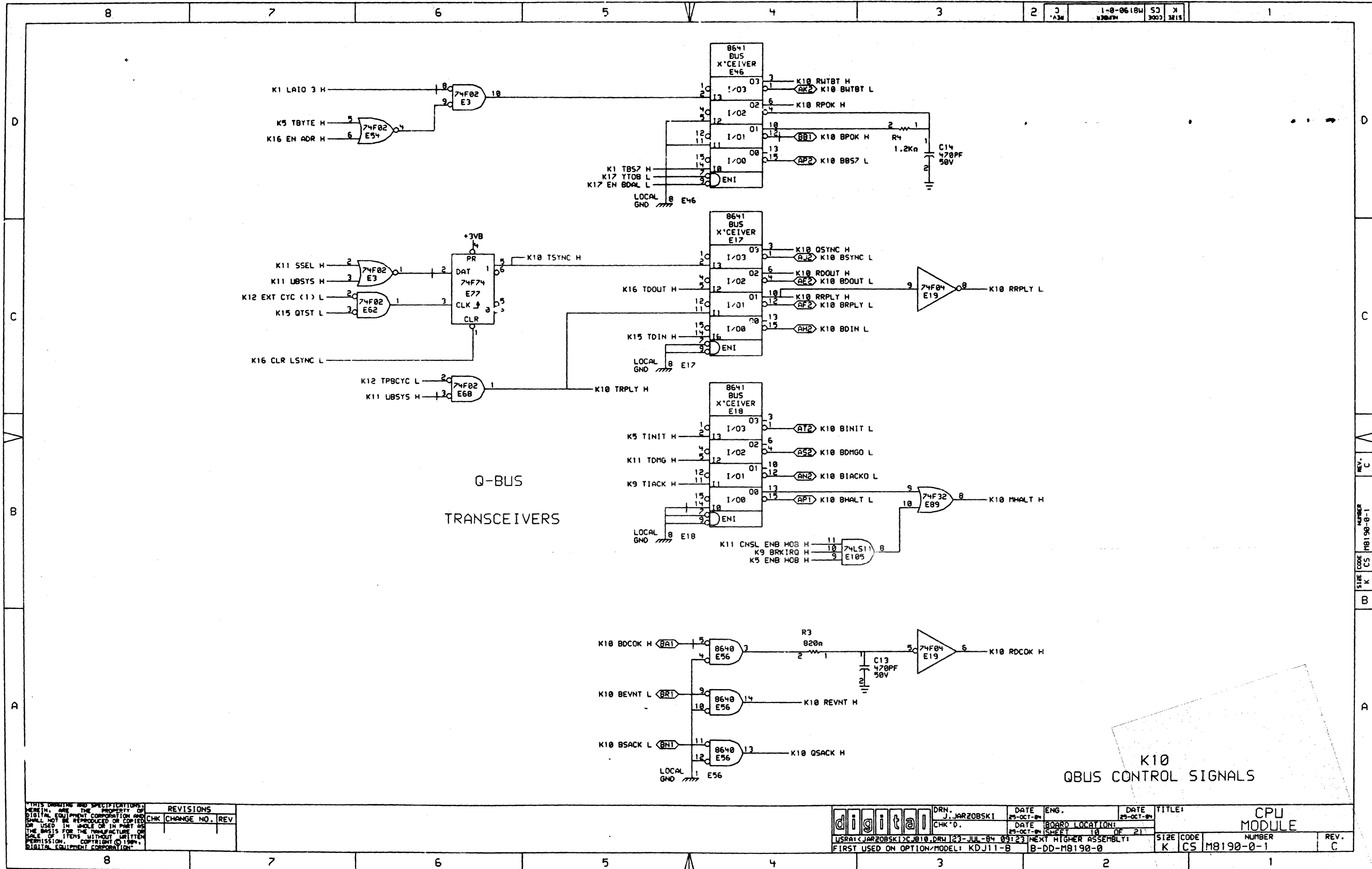
K9 CONSOLE DL AND INT REQ LOGIC

THIS DRAWING AND SPECIFICATIONS HEREIN ARE THE PROPERTY OF DIGITAL EQUIPMENT CORPORATION AND SHALL NOT BE REPRODUCED OR COPIED OR USED IN WHOLE OR IN PART AS THE BASIS FOR THE MANUFACTURE OF ANY ITEMS WITHOUT WRITTEN PERMISSION. COPYRIGHT © 1984 DIGITAL EQUIPMENT CORPORATION

REVISIONS		
CHK	CHANGE NO.	REV

digital	DRN. J. JARZOSKI	DATE 25-OCT-84	ENG.	DATE 25-OCT-84	TITLE: CPU MODULE
	CHK'D.	DATE 25-OCT-84	SCARD LOCATION: 9	SHEET 9 OF 21	NUMBER M8190-0-1
USRAI:JARZOSKI:DC:809:DRN:23-JUL-84 09123 NEXT HIGHER ASSEMBLY:			FIRST USED ON OPTION/MODEL: KDJ11-B		REV. C

REV. C
SIZE CODE NUMBER M8190-0-1
K CS



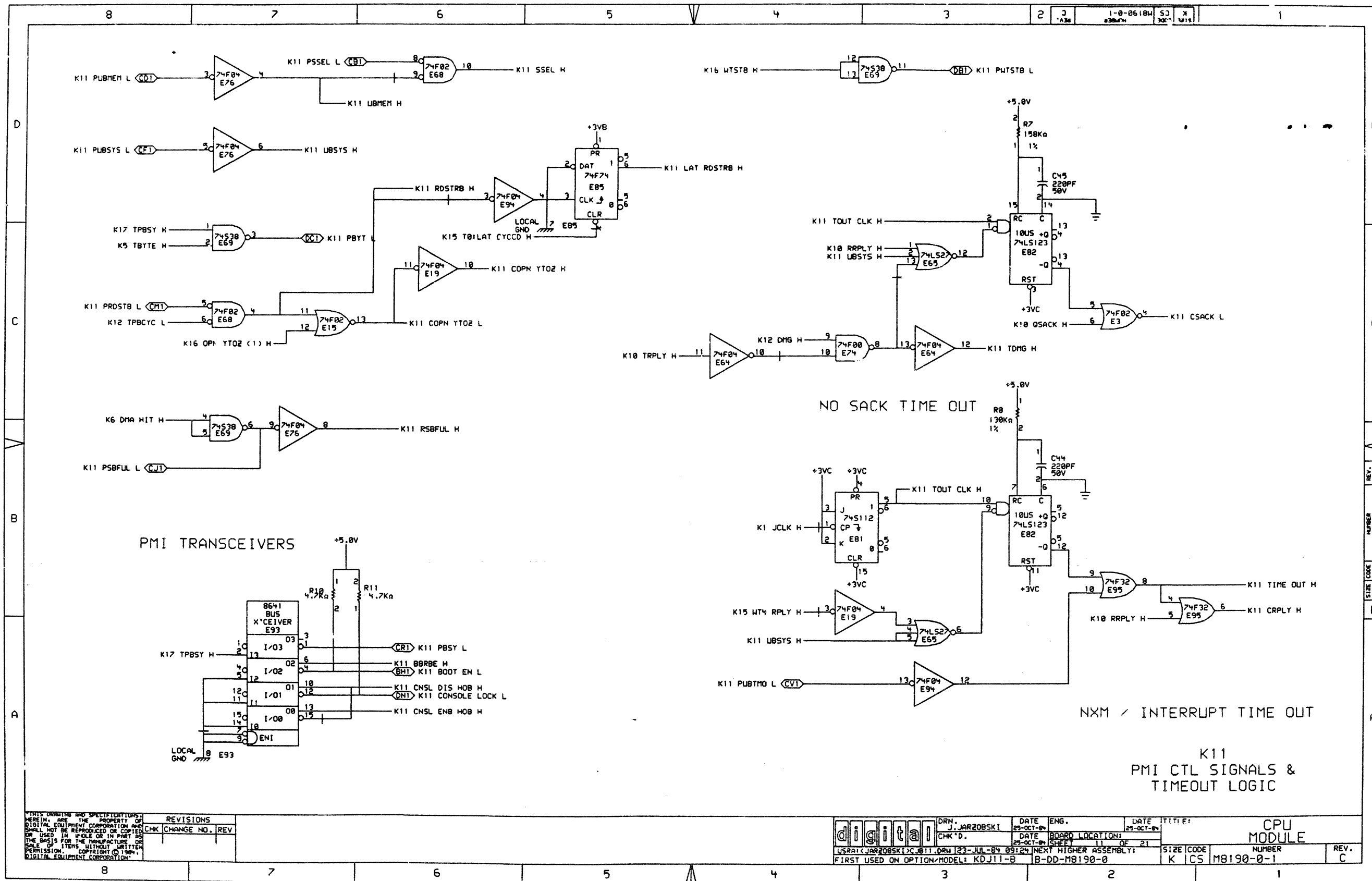
Q-BUS
TRANSCEIVERS

K10
QBUS CONTROL SIGNALS

THIS DRAWING AND SPECIFICATIONS ARE THE PROPERTY OF DIGITAL EQUIPMENT CORPORATION AND SHALL NOT BE REPRODUCED OR COPIED OR USED IN WHOLE OR IN PART AS THE BASIS FOR THE MANUFACTURE OR SALE OF ITEMS WITHOUT WRITTEN PERMISSION. COPYRIGHT © 1984, DIGITAL EQUIPMENT CORPORATION.

REVISIONS	
CHK	CHANGE NO. REV

digital	DRN. J. JARZOSKI	DATE 25-OCT-84	ENG.	DATE 25-OCT-84	TITLE: CPU MODULE
	CHK'D.	DATE 25-OCT-84	BOARD LOCATION: 18 OF 21	SHEET 18 OF 21	REV. C
USRA1<JARZOSKI>C.B10.DRW 123-JUL-84 09123 NEXT HIGHER ASSEMBLY: B-DD-M8190-0					SIZE CODE K CS
FIRST USED ON OPTION/MODEL: KD J11-B					NUMBER M8190-0-1



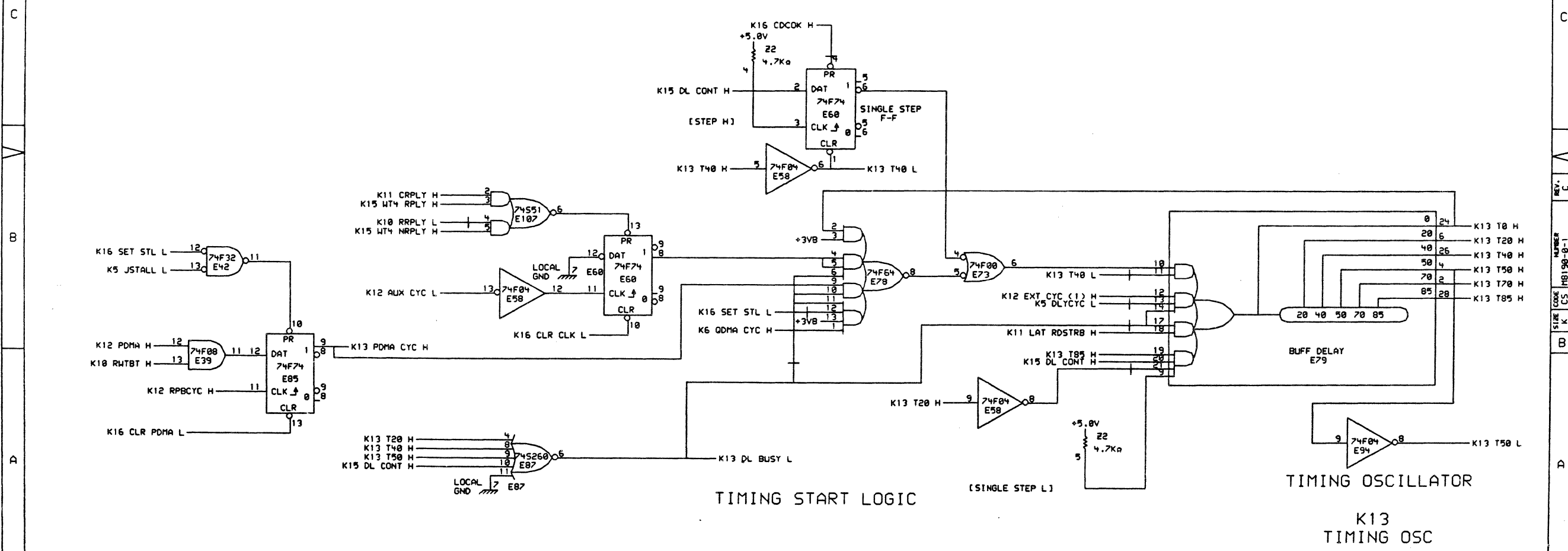
THIS DRAWING AND SPECIFICATIONS HEREIN ARE THE PROPERTY OF DIGITAL EQUIPMENT CORPORATION AND SHALL NOT BE REPRODUCED OR COPIED OR USED IN WHOLE OR IN PART AS THE BASIS FOR THE MANUFACTURE OF ANY ITEMS WITHOUT WRITTEN PERMISSION. COPYRIGHT © 1984, DIGITAL EQUIPMENT CORPORATION.

REVISIONS	
CHK	CHANGE NO. REV

digital	DRN. J. JARZOSKI	DATE 25-OCT-84	ENG.	DATE 25-OCT-84	TITLE: CPU MODULE
	CHK'D.	DATE 25-OCT-84	BOARD LOCATION: 11 OF 21	SHEET 11 OF 21	REV. C
FIRST USED ON OPTION/MODEL: KDJ11-B		NEXT HIGHER ASSEMBLY: B-DD-M8190-0		SIZE CODE: K ICS	NUMBER: M8190-0-1

THE FOLLOWING SIGNALS ARE USED TO START (PRIMARY CONTROL SIGNAL) AND/OR RE-START (SECONDARY CONTROL SIGNAL) THE TIMING OSCILLATOR FOR THE VARIOUS CYCLE TYPES:

GP READ FROM FPA	AUX CYC L	NONE
GP WRITE TO FPA	AUX CYC L	NONE
DATA READ FROM IDAT	AUX CYC L	NONE
DATA WRITE TO IDAT	AUX CYC L	NONE
DATA/GP READ FROM DC350	AUX CYC L	NONE
DATA/GP WRITE TO DC350	AUX CYC L	NONE
DATA READ FROM EXT BUS	EXT CYC (1) H	LAT RDSTRB H, CRPLY H, RRPLY L
WORD WRITE FROM J11 TO EXT BUS	EXT CYC (1) H	CRPLY H, RRPLY L
LOW BYTE WRITE TO EXT BUS	EXT CYC (1) H	CRPLY H, RRPLY L
HIGH BYTE WRITE TO EXT BUS	EXT CYC (1) H	CRPLY H, RRPLY L
WORD WRITE FROM FPA TO EXT BUS	EXT CYC (1) H	CRPLY H, RRPLY L
DAT(8) CYCLE FOR Q-BUS DAT10	EXT CYC (1) H	CRPLY H, RRPLY L
INTERRUPT VECTOR READ	AUX CYC L	CRPLY H, RRPLY L
SAMODE CACHE WRITE	AUX CYC L	NONE
ABORT RECOVERY OR NON-I/O	AUX CYC L	NONE
MONITOR DMA WRITE CYCLES	PDMA CYC H OR QDMA CYC H	JSTALL L



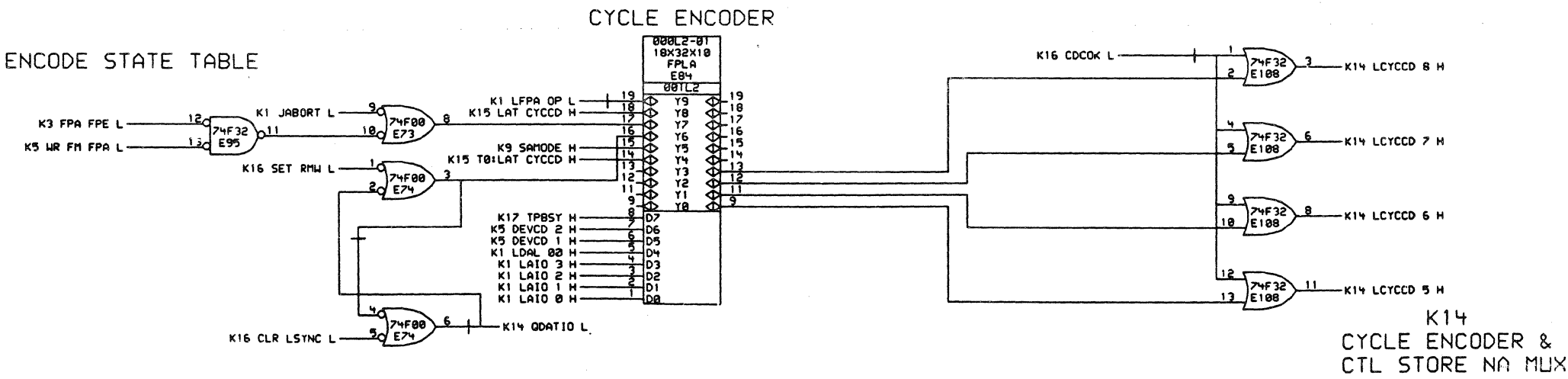
THIS DRAWING AND SPECIFICATIONS ARE THE PROPERTY OF DIGITAL EQUIPMENT CORPORATION AND SHALL NOT BE REPRODUCED OR COPIED OR USED IN WHOLE OR IN PART FOR THE BASIS FOR THE MANUFACTURE OF ANY ITEM WITHOUT WRITTEN PERMISSION. COPYRIGHT © 1984, DIGITAL EQUIPMENT CORPORATION.

REVISIONS	
CHK	CHANGE NO. REV

DRN. J. JARZOBSKI	DATE 23-OCT-84	ENG.	DATE 23-OCT-84	TITLE: CPU MODULE
CHK'D.	DATE 23-OCT-84	BOARD LOCATION:	SHEET 13 OF 21	SIZE CODE NUMBER REV. K CS M8190-0-1 C
FIRST USED ON OPTION MODEL: KDJ11-B		NEXT HIGHER ASSEMBLY: B-DD-M8190-0		

CPU MSTR H	1 1 1 1 1 1 1 1 1 1 1 1 1 1 1 1 0
(JABORT + FPA FPE) H	0 0 0 0 0 0 0 0 0 0 0 0 0 0 0 0 X 1 X
SAMODE H	X X X X X X X X X X 0 0 0 0 0 0 X 1 X X 0
QDATO(B) H	X X X X X X X X X X 0 0 0 0 1 X X X X X
DEVCD 2 H	X X 0 0 0 1 1 X 1 X 1 1 1 1 1 1 1 X 1 X X X
DEVCD 1 H	X X X X X 1 1 X 1 X 0 0 0 0 0 0 0 X 0 X X X
LFPA OP L	X X X X X X X X X X 1 1 1 0 X X X X X X
LDAL 00 H	1 1 X X X X X 0 X X X 0 1 X X X X X X X X
LATIO 3 H	1 0 1 1 0 1 1 1 0 0 1 1 0 0 0 0 1 0 1 X X
LATIO 2 H	1 1 0 1 0 0 1 1 0 1 0 1 0 0 0 0 1 0 1 X X
LATIO 1 H	1 X X 0 X X 0 1 X X X 0 0 1 1 X X 0 X 1 X X
LATIO 0 H	0 X X 0 X X 0 0 X X X 0 X X X X X 1 X 1 X X
LCYCCD 8 H	0 0 0 0 0 0 0 0 0 0 0 1 1 1 1 1 1 1 1 1
LCYCCD 7 H	0 0 0 0 0 1 1 1 1 1 1 1 0 0 0 0 1 1 1 1 1
LCYCCD 6 H	0 0 1 1 1 0 0 0 0 0 1 1 0 0 1 1 0 0 1 1 1
LCYCCD 5 H	0 1 0 0 1 0 0 0 1 1 0 0 1 0 1 0 1 0 1 0 0 1
GP READ FROM FPA	-----> ! ! ! ! ! ! ! ! ! ! ! ! ! ! ! ! ! ! !
GP WRITE TO FPA	-----> ! ! ! ! ! ! ! ! ! ! ! ! ! ! ! ! ! ! !
DATA READ FROM IDAT	-----> ! ! ! ! ! ! ! ! ! ! ! ! ! ! ! ! ! ! !
DATA WRITE TO IDAT	-----> ! ! ! ! ! ! ! ! ! ! ! ! ! ! ! ! ! ! !
DATA/GP READ FROM DC418	-----> ! ! ! ! ! ! ! ! ! ! ! ! ! ! ! ! ! ! !
DATA/GP WRITE TO DC418	-----> ! ! ! ! ! ! ! ! ! ! ! ! ! ! ! ! ! ! !
DATA READ FROM EXT BUS	-----> ! ! ! ! ! ! ! ! ! ! ! ! ! ! ! ! ! ! !
WORD WRITE FROM J11 TO EXT BUS	-----> ! ! ! ! ! ! ! ! ! ! ! ! ! ! ! ! ! ! !
LOW BYTE WRITE TO EXT BUS	-----> ! ! ! ! ! ! ! ! ! ! ! ! ! ! ! ! ! ! !
HIGH BYTE WRITE TO EXT BUS	-----> ! ! ! ! ! ! ! ! ! ! ! ! ! ! ! ! ! ! !
WORD WRITE FROM FPA TO EXT BUS	-----> ! ! ! ! ! ! ! ! ! ! ! ! ! ! ! ! ! ! !
DATO(B) CYCLE FOR Q-BUS DATIO	-----> ! ! ! ! ! ! ! ! ! ! ! ! ! ! ! ! ! ! !
INTERRUPT VECTOR READ	-----> ! ! ! ! ! ! ! ! ! ! ! ! ! ! ! ! ! ! !
SAMODE CACHE WRITE	-----> ! ! ! ! ! ! ! ! ! ! ! ! ! ! ! ! ! ! !
ABORT RECOVERY OR NON-I/O	-----> ! ! ! ! ! ! ! ! ! ! ! ! ! ! ! ! ! ! !
MONITOR DMA WRITE CYCLES	-----> ! ! ! ! ! ! ! ! ! ! ! ! ! ! ! ! ! ! !

CYCLE ENCODE STATE TABLE

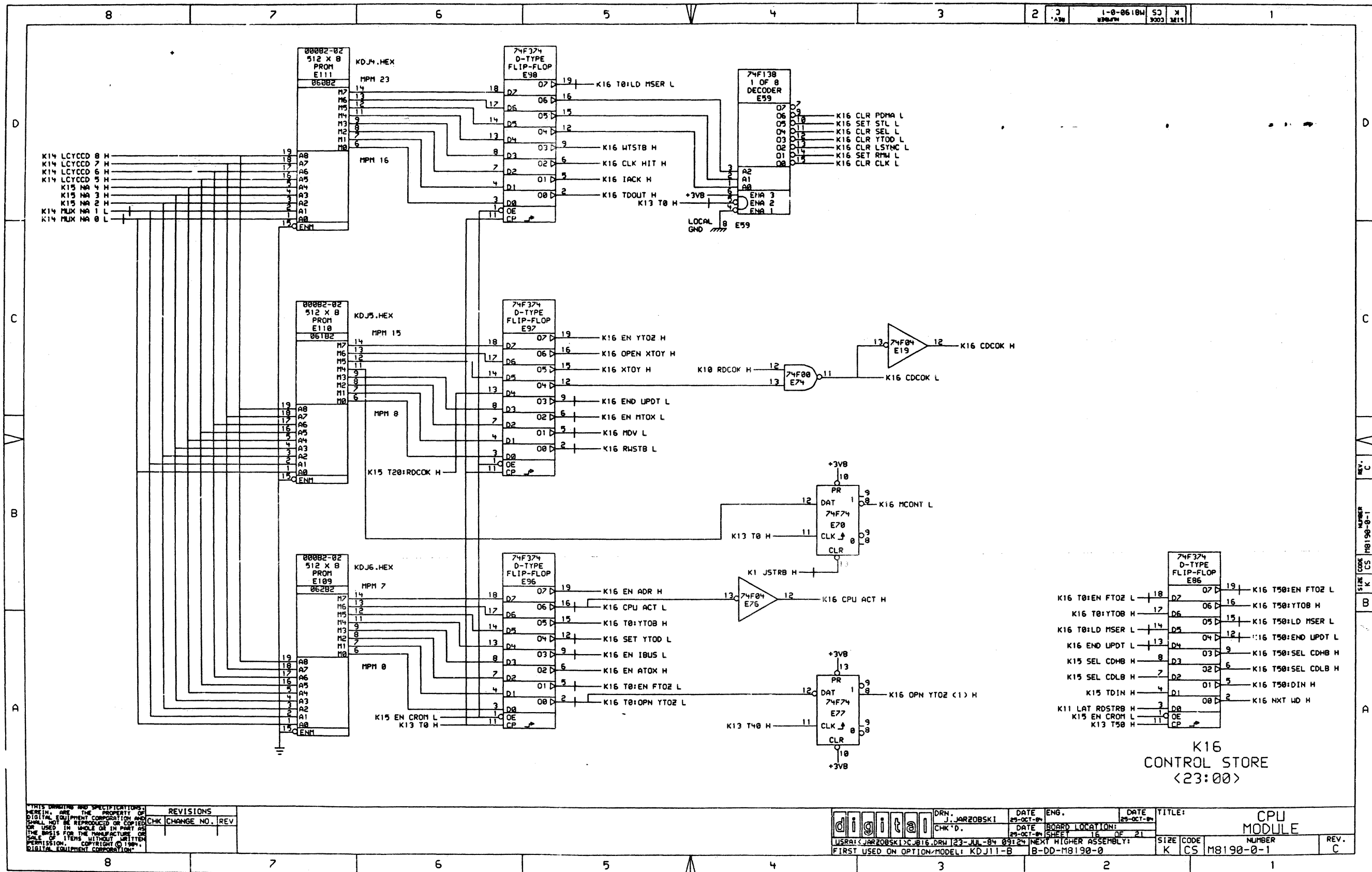


THIS DRAWING AND SPECIFICATIONS ARE THE PROPERTY OF DIGITAL EQUIPMENT CORPORATION AND SHALL NOT BE REPRODUCED OR COPIED OR USED IN WHOLE OR IN PART AS THE BASIS FOR THE MANUFACTURE OR SALE OF ANY ITEMS WITHOUT WRITTEN PERMISSION. COPYRIGHT © 1984, DIGITAL EQUIPMENT CORPORATION.

REV. NO.	CHANGE NO.	REV.

DRN. J. JARZOSKI	DATE 23-OCT-84	ENG.	DATE 23-OCT-84	TITLE: CPU MODULE
CHK'D.	DATE 23-OCT-84	ISSUED	DATE 21	
USRA:K.JARZOSKI:J.BIM:DRN:23-JUL-84:09124	NEXT HIGHER ASSEMBLY:	SIZE CODE K CS	NUMBER M6190-0-1	REV. C
FIRST USED ON OPTION/MODEL: KDJ11-B	8-DD-M6190-0			

REV. C
 NUMBER M6190-0-1
 SIZE CODE K CS

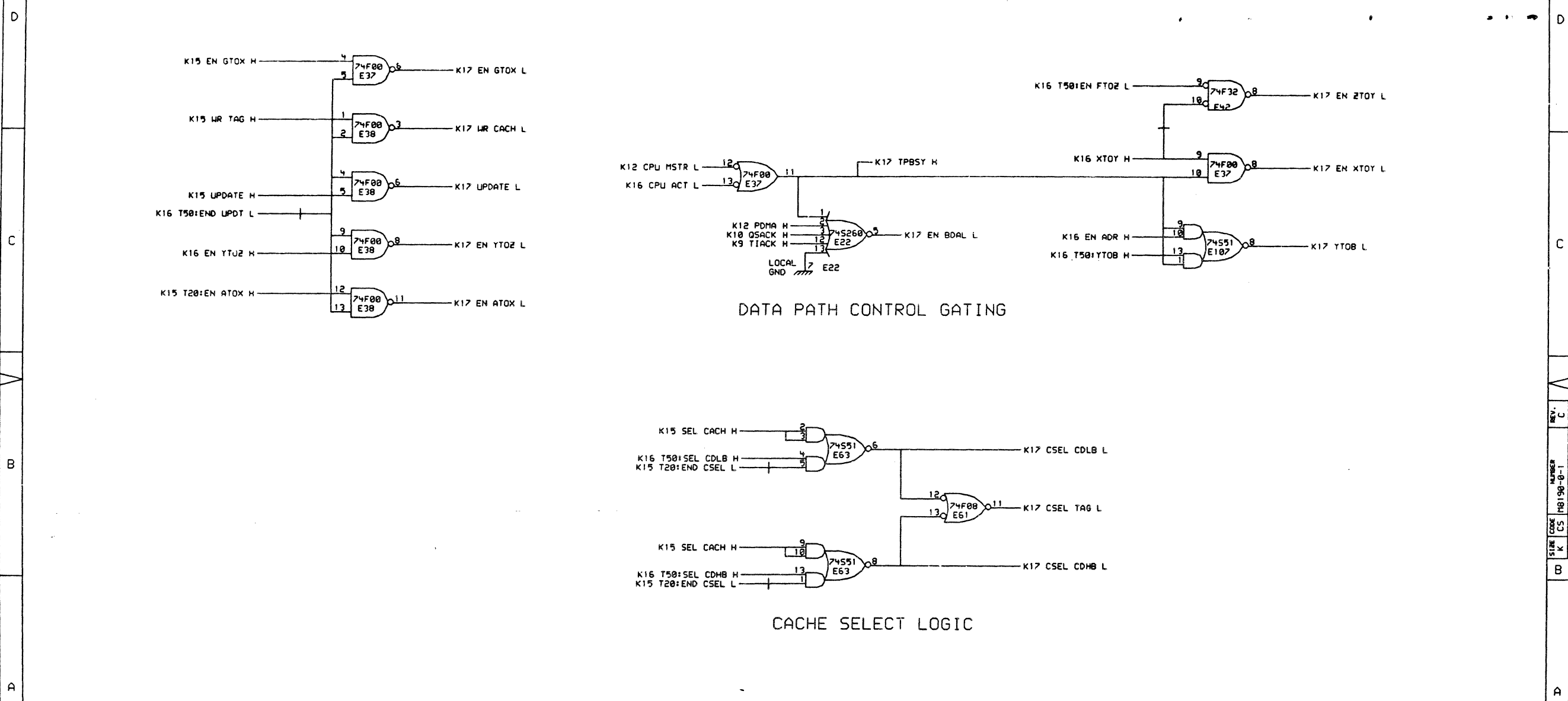


K16
CONTROL STORE
(23:00)

THIS DRAWING AND SPECIFICATIONS
HEREIN, ARE THE PROPERTY OF
DIGITAL EQUIPMENT CORPORATION AND
SHALL NOT BE REPRODUCED OR COPIED
OR USED IN WHOLE OR IN PART AS
THE BASIS FOR THE MANUFACTURE OR
SALE OF ITEMS WITHOUT WRITTEN
PERMISSION. COPYRIGHT © 1984
DIGITAL EQUIPMENT CORPORATION.

REVISIONS	
CHK	CHANGE NO. REV

digital	DRN. J. JARZOSKI	DATE ENG. 23-OCT-84	DATE 23-OCT-84	TITLE: CPU MODULE
	CHK'D.	DATE BOARD LOCATION: 23-OCT-84 SHEET 16 OF 21		
FIRST USED ON OPTION MODEL: KDJ11-B				
SIZE	CODE	NUMBER	REV.	
K	CS	M8190-0-1	C	



THIS DRAWING AND SPECIFICATIONS ARE THE PROPERTY OF DIGITAL EQUIPMENT CORPORATION AND SHALL NOT BE REPRODUCED OR COPIED OR USED IN WHOLE OR IN PART AS THE BASIS FOR THE MANUFACTURE OR SALE OF ITEMS WITHOUT WRITTEN PERMISSION. COPYRIGHT © 1984, DIGITAL EQUIPMENT CORPORATION.

REVISIONS	
CHK	CHANGE NO. REV

--	--	--	--	--	--	--	--	--	--

digital	DRN. J. JARZOBSKI	DATE ENG. 25-OCT-84	DATE 25-OCT-84	TITLE: CPU MODULE
	CHK'D.	DATE BOARD LOCATION: 17 OF 21	DATE 25-OCT-84	SIZE CODE K CS
USRA: JARZOBSKI/CJ817.DRW 123-JUL-84 09:24		NEXT HIGHER ASSEMBLY: 8-DD-M8190-0		NUMBER M8190-0-1
FIRST USED ON OPTION/MODEL: KDJ11-B				REV. C

8		7		6		5		4		3		2		1				
Vertical location (A-D)		Direction of line (Left, Right, Up, Down)		or electrical (Input, Output, Both)		or backplane pin (Pin)		Schematic Sheet		Horizontal location (1-8)		Vertical location (A-D)		Direction of line (Left, Right, Up, Down)				
KEY:		SS-VH,D		or backplane pin (Pin)		Schematic Sheet		Horizontal location (1-8)		Vertical location (A-D)		Direction of line (Left, Right, Up, Down)		or electrical (Input, Output, Both)				
D	+12.0V	9-C3,R	18-C1,L	18-B6,R	<A02>	18-C6,R	<B02>	K1 MDAL 13 H	1-07,R	2-C5,R	3-C5,L	K11 TDMG H	10-B5,R	11-C3,L				
	+15.0V	18-C2,R	<A01>					K1 MDAL 14 H	1-07,R	2-C5,R	3-C5,L	K11 TIME OUT H	5-D4,R	11-B1,L				
	+3VA	2-A7,D	2-B7,D	3-B5,R	3-B8,R	12-C2,D	12-D2,D	K1 MDAL 15 H	1-07,R	2-C5,R	3-C5,L	K11 TOUT CLK H	11-B3,L	11-D3,R				
	+3VB	18-C6,D	11-D5,D	13-B4,R	13-B4,R	16-A4,D	16-A4,D	K1 MDAL 16 H	1-07,R	2-C5,R		K11 UBMEM H	11-D7,L	14-D3,R				
	+3VC	9-C8,D	9-D8,D	9-D8,D	11-B3,D	11-B4,D	11-B4,D	K1 MDAL 17 H	1-07,R	2-D5,R		K11 UBSYS H	5-B4,R	10-C6,R	10-C7,R	11-A4,R	11-C3,R	11-D7,L
	+3VD	11-B4,D	11-C3,D	18-B4,U				K1 MDAL 18 H	1-07,R	2-D5,R								
	+5.0V	7-C6,R	9-A4,D	9-B4,D	9-C7,R	12-A4,R	18-B3,U	K1 MDAL 19 H	1-07,R	2-D5,R		K12 AUX CYC L	12-B5,L	13-B6,R				
		3-C2,L	3-C3,R	3-C4,D	5-B5,R	7-B5,L	7-B5,L	K1 MDAL 20 H	1-07,R	2-D5,R		K12 CLR EXT L	12-B2,R	12-D2,L				
		8-C3,R	8-C5,L	8-D1,L	11-B7,D	11-C3,D	11-D3,D	K1 MDAL 21 H	1-07,R	2-D5,R		K12 CPU ACK H	12-B5,L	12-C3,R	12-D2,R			
		18-A5,R	18-A7,R	18-B1,D	18-D8,R	<AA2>	18-D8,R	K1 MPRDC L	1-C6,L	3-B2,L		K12 CPU MSTR L	12-B5,L	17-C5,R				
				18-D8,R	<BA2>			K1 SRUN L	1-B4,L	<AF1>		K12 DMG H	11-C4,R	12-A5,L				
	-12.0V	9-C1,D	9-C3,R	9-C5,L				K1 TBS7 H	1-C2,L	10-D5,R	14-C3,R	K12 EXT CYC (1) H	12-A4,R	12-D2,L	13-B3,R			
	GND	3-C2,L	3-C3,R	18-D8,R	<AC2>	18-D8,R	<AJ1>	K1 WRITE H	1-D1,L	6-B7,R		K12 EXT CYC (1) L	10-C7,R	12-B2,R	12-D2,L			
		18-D8,R	<AM1>	18-D8,R	<AT1>	18-D8,R	<BC2>	K10 BBS7 L	10-D4,L	<AP2>	18-A8,R	<AP2>	K12 JCI1BUSAVL H	12-A7,R	12-D4,L			
		18-D8,R	<BM1>	18-D8,R	<BT1>	18-C8,R	<CC2>	K10 BDCOK H	10-A5,R	<BA1>	18-A6,R	<BA1>	K12 JCI1BUSCYC L	12-A7,R	12-D4,L			
				18-C8,R	<CA2>	18-D8,R	<DA2>	K10 BDCOK L	10-A5,R	<BA2>	18-A6,R	<BA2>	K12 JCI1CSACK L	12-A7,R	12-D4,L			
				18-C8,R	<CB2>	18-D8,R	<DB2>	K10 BDCOK H	10-A5,R	<BA1>	18-A6,R	<BA1>	K12 JCI1FLSHRQ H	12-A7,R	12-C6,L			
				18-C8,R	<CC2>	18-C8,R	<CT1>	K10 BDCOK L	10-A5,R	<BA2>	18-A6,R	<BA2>	K12 JCI1FPA FPE L	12-A7,R	12-C4,L			
				18-C8,R	<DC2>	18-C8,R	<DT1>	K10 BDCOK H	10-A5,R	<BA1>	18-A6,R	<BA1>	K12 JCI1FPA STL H	12-B7,R	12-C4,L			
				18-C8,R	<DT1>			K10 BDCOK L	10-A5,R	<BA2>	18-A6,R	<BA2>	K12 JCI1RDMR H	12-B7,R	12-C4,L			
				18-C8,R	<DT1>			K10 BDCOK H	10-A5,R	<BA1>	18-A6,R	<BA1>	K12 JCI1SEQ BSY H	12-B7,R	12-C4,L			
				18-C8,R	<DT1>			K10 BDCOK L	10-A5,R	<BA2>	18-A6,R	<BA2>	K12 NPSLV CYC H	12-B1,L	14-C2,R			
				18-C8,R	<DT1>			K10 BDCOK H	10-A5,R	<BA1>	18-A6,R	<BA1>	K12 PBCTC L	12-A2,L	<CE1>	18-A2,R	<CE1>	
				18-C8,R	<DT1>			K10 BDCOK L	10-A5,R	<BA2>	18-A6,R	<BA2>	K12 PDMA H	12-D6,L	13-B8,R	17-C4,R		
				18-C8,R	<DT1>			K10 BDCOK H	10-A5,R	<BA1>	18-A6,R	<BA1>	K12 RPBCYC H	6-B8,R	12-A1,L	13-A8,R		
				18-C8,R	<DT1>			K10 BDCOK L	10-A5,R	<BA2>	18-A6,R	<BA2>	K12 TPBCYC H	5-B8,R	12-B2,L	12-C8,R		
				18-C8,R	<DT1>			K10 BDCOK H	10-A5,R	<BA1>	18-A6,R	<BA1>	K12 TPBCYC L	2-B8,R	10-C6,R	11-C8,R	12-A3,L	14-C2,R
				18-C8,R	<DT1>			K10 BDCOK L	10-A5,R	<BA2>	18-A6,R	<BA2>	K13 DL BUSY L	13-A5,L				
				18-C8,R	<DT1>			K10 BDCOK H	10-A5,R	<BA1>	18-A6,R	<BA1>	K13 PDMA CYC H	13-B7,L	14-D2,R			
				18-C8,R	<DT1>			K10 BDCOK L	10-A5,R	<BA2>	18-A6,R	<BA2>	K13 T0 H	13-B1,L	15-A5,R	16-A6,R	16-B4,R	16-D5,R
				18-C8,R	<DT1>			K10 BDCOK H	10-A5,R	<BA1>	18-A6,R	<BA1>	K13 T20 H	13-A4,R	13-A6,R	13-B1,L	15-A3,R	
				18-C8,R	<DT1>			K10 BDCOK L	10-A5,R	<BA2>	18-A6,R	<BA2>	K13 T40 H	2-A7,R	13-A6,R	13-B1,L	13-B5,R	16-A4,R
				18-C8,R	<DT1>			K10 BDCOK H	10-A5,R	<BA1>	18-A6,R	<BA1>	K13 T40 L	13-B3,R	13-B4,L			
				18-C8,R	<DT1>			K10 BDCOK L	10-A5,R	<BA2>	18-A6,R	<BA2>	K13 T50 H	13-A6,R	13-B1,L	16-A2,R		
				18-C8,R	<DT1>			K10 BDCOK H	10-A5,R	<BA1>	18-A6,R	<BA1>	K13 T50 L	2-B8,R	13-A1,L			
				18-C8,R	<DT1>			K10 BDCOK L	10-A5,R	<BA2>	18-A6,R	<BA2>	K13 T70 H	2-B8,R	13-B1,L			
				18-C8,R	<DT1>			K10 BDCOK H	10-A5,R	<BA1>	18-A6,R	<BA1>	K13 T85 H	13-B1,L	13-B3,R			
				18-C8,R	<DT1>			K10 BDCOK L	10-A5,R	<BA2>	18-A6,R	<BA2>	K14 LCYCCD 5 H	14-A2,L	15-D7,R	16-D8,R		
				18-C8,R	<DT1>			K10 BDCOK H	10-A5,R	<BA1>	18-A6,R	<BA1>	K14 LCYCCD 6 H	14-A2,L	15-D7,R	16-D8,R		
				18-C8,R	<DT1>			K10 BDCOK L	10-A5,R	<BA2>	18-A6,R	<BA2>	K14 LCYCCD 7 H	14-A2,L	15-D7,R	16-D8,R		
				18-C8,R	<DT1>			K10 BDCOK H	10-A5,R	<BA1>	18-A6,R	<BA1>	K14 LCYCCD 8 H	14-B2,L	15-D7,R	16-D8,R		
				18-C8,R	<DT1>			K10 BDCOK L	10-A5,R	<BA2>	18-A6,R	<BA2>	K14 MUX NA 0 L	14-C1,L	15-D7,R	16-D8,R		
				18-C8,R	<DT1>			K10 BDCOK H	10-A5,R	<BA1>	18-A6,R	<BA1>	K14 MUX NA 1 L	14-D1,L	15-D7,R	16-D8,R		
				18-C8,R	<DT1>			K10 BDCOK L	10-A5,R	<BA2>	18-A6,R	<BA2>	K14 QDATIO L	12-A4,R	14-A5,L			
				18-C8,R	<DT1>			K10 BDCOK H	10-A5,R	<BA1>	18-A6,R	<BA1>	K15 DL CONT H	13-A3,R	13-A6,R	13-C5,R	15-B2,L	
				18-C8,R	<DT1>			K10 BDCOK L	10-A5,R	<BA2>	18-A6,R	<BA2>	K15 EN CROM L	15-A3,R	15-A5,L	16-A2,R	16-A6,R	
				18-C8,R	<DT1>			K10 BDCOK H	10-A5,R	<BA1>	18-A6,R	<BA1>	K15 EN GTX H	15-C4,L	17-D7,R			
				18-C8,R	<DT1>			K10 BDCOK L	10-A5,R	<BA2>	18-A6,R	<BA2>	K15 GA FCN 0 H	5-C4,R	15-C4,L			
				18-C8,R	<DT1>			K10 BDCOK H	10-A5,R	<BA1>	18-A6,R	<BA1>	K15 GA FCN 1 H	5-C4,R	15-C4,L			
				18-C8,R	<DT1>			K10 BDCOK L	10-A5,R	<BA2>	18-A6,R	<BA2>	K15 INC FLCNTR H	6-C7,R	15-A4,L			
				18-C8,R	<DT1>			K10 BDCOK H	10-A5,R	<BA1>	18-A6,R	<BA1>	K15 NA 0 H	14-B2,R	15-D4,L			
				18-C8,R	<DT1>			K10 BDCOK L	10-A5,R	<BA2>	18-A6,R	<BA2>	K15 NA 1 H	14-D2,R	15-D4,L			
				18-C8,R	<DT1>			K10 BDCOK H	10-A5,R	<BA1>	18-A6,R	<BA1>	K15 NA 2 H	15-D3,L	15-D7,R	16-D8,R		
				18-C8,R	<DT1>			K10 BDCOK L	10-A5,R	<BA2>	18-A6,R	<BA2>	K15 NA 3 H	15-D3,L	15-D7,R	16-D8,R		
				18-C8,R	<DT1>			K10 BDCOK H	10-A5,R	<BA1>	18-A6,R	<BA1>	K15 NA 4 H	15-D3,L	15-D7,R	16-D8,R		
				18-C8,R	<DT1>			K10 BDCOK L	10-A5,R	<BA2>	18-A6,R	<BA2>	K15 NA SEL 0 H	14-C2,R	15-D4,L			
				18-C8,R	<DT1>			K10 BDCOK H	10-A5,R	<BA1>	18-A6,R	<BA1>	K15 NA SEL 1 H	14-D2,R	15-D4,L			
				18-C8,R	<DT1>			K10 BDCOK L	10-A5,R	<BA2>	18-A6,R	<BA2>	K15 NA SEL 2 H	14-D2,R	15-D4,L			
				18-C8,R	<DT1>			K10 BDCOK H	10-A5,R	<BA1>	18-A6,R	<BA1>	K15 OTST L	2-B8,R	10-C7,R	15-B4,L		
				18-C8,R	<DT1>			K10 BDCOK L	10-A5,R	<BA2>	18-A6,R	<BA2>	K15 SEL CACH H	15-A4,L	17-B5,R	17-B5,R		

THIS DRAWING AND SPECIFICATIONS HEREIN ARE THE PROPERTY OF DIGITAL EQUIPMENT CORPORATION AND SHALL NOT BE REPRODUCED OR COPIED OR USED IN WHOLE OR IN PART OR THE BASIS FOR THE MANUFACTURE OR SALE OF ITEMS WITHOUT WRITTEN PERMISSION. COPYRIGHT © 1984, DIGITAL EQUIPMENT CORPORATION.

REVISIONS		
CHK	CHANGE NO.	REV

digital	DRN. J. JARZOSKI	DATE 25-OCT-84	ENG.	DATE 25-OCT-84	TITLE: CPU MODULE
	CHK'D.	DATE	BOARD LOCATION: CXE15	SHEET 19 OF 21	
FIRST USED ON OPTION/MODEL: KDJ11-B		NEXT HIGHER ASSEMBLY: B-DD-M8190-0		SIZE CODE K	NUMBER CS M8190-0-1

SIZE	CODE	NUMBER	REV.
K	CS	M8190-0-1	C

REV. C
NUMBER M8190-0-1
CS
K

7		6		5		4		3		2		1					
K15 SEL CDHB H	15-A4,L	16-A2,R	K17 TPBSY H	6-B7,R	11-A7,R	11-C8,R	12-A2,R	12-D6,R	14-A5,R	K2 XDAL 16 H	2-D4,D	5-C3,L					
K15 SEL CDLB H	15-A4,L	16-A2,R								K2 XDAL 17 H	2-D4,D	5-C3,L					
K15 TSTEN CYCCD H	11-C5,R	12-C8,R	14-A5,R	15-B4,L	K17 UPDATE L	5-B6,R	5-B7,R	5-C4,R	5-D7,R	6-B2,R	6-C7,R	K2 XDAL 18 H	2-D4,D	5-D4,R			
K15 TSTEN ATOX H	15-A2,L	17-C7,R								K2 XDAL 19 H	2-D4,D	5-D4,R					
K15 TSTEND CSEL L	15-A2,L	17-B5,R	17-B5,R	K17 WR CACH L	4-B7,P	6-C4,R	17-D6,L			K2 XDAL 20 H	2-D4,D	5-D4,R					
K15 TSTEND CSEL L	15-A2,L	17-B5,R	17-B5,R	K17 YTOB L	2-A2,R	10-D5,R	17-C2,L			K2 XDAL 21 H	2-D4,D	5-D4,R					
K15 TSTEND CSEL L	15-A2,L	17-B5,R	17-B5,R	K18 PBLKX L	18-A2,R	<CP1>			K2 YDAL 00 H	2-A3,D	3-B7,D	6-D7,R	9-B5,R				
K15 TSTEND CSEL L	15-A2,L	17-B5,R	17-B5,R	K18 PDWDS L	18-A2,R	<CN1>			K2 YDAL 01 H	2-A3,D	3-B7,D	6-D7,R					
K15 TSTEND CSEL L	15-A2,L	17-B5,R	17-B5,R	K2 BDAL 00 L	2-A2,L	<AU2>	18-A6,R	<AU2>	K2 YDAL 02 H	2-A3,D	3-B7,D	6-D7,R					
K15 TSTEND CSEL L	15-A2,L	17-B5,R	17-B5,R	K2 BDAL 01 L	2-A2,L	<AV2>	18-A6,R	<AV2>	K2 YDAL 03 H	2-A3,D	3-B7,D	6-D7,R					
K15 TSTEND CSEL L	15-A2,L	17-B5,R	17-B5,R	K2 BDAL 02 L	2-A2,L	<BE2>	18-A6,R	<BE2>	K2 YDAL 04 H	2-B3,D	3-B7,D	6-D7,R					
K15 TSTEND CSEL L	15-A2,L	17-B5,R	17-B5,R	K2 BDAL 03 L	2-B2,L	<BF2>	18-A6,R	<BF2>	K2 YDAL 05 H	2-B3,D	3-B7,D	6-D7,R					
K15 TSTEND CSEL L	15-A2,L	17-B5,R	17-B5,R	K2 BDAL 04 L	2-B2,L	<BH2>	18-A6,R	<BH2>	K2 YDAL 06 H	2-B3,D	3-B7,D	6-D7,R					
K15 TSTEND CSEL L	15-A2,L	17-B5,R	17-B5,R	K2 BDAL 05 L	2-B2,L	<BJ2>	18-B4,R	<BJ2>	K2 YDAL 07 H	2-B3,D	3-B7,D	6-D7,R					
K15 TSTEND CSEL L	15-A2,L	17-B5,R	17-B5,R	K2 BDAL 06 L	2-B2,L	<BK2>	18-B4,R	<BK2>	K2 YDAL 08 H	2-B3,D	3-C7,D	6-D7,R					
K15 TSTEND CSEL L	15-A2,L	17-B5,R	17-B5,R	K2 BDAL 07 L	2-B2,L	<BL2>	18-A4,R	<BL2>	K2 YDAL 09 H	2-B3,D	3-C7,D	6-D7,R					
K15 TSTEND CSEL L	15-A2,L	17-B5,R	17-B5,R	K2 BDAL 08 L	2-B2,L	<BM2>	18-A4,R	<BM2>	K2 YDAL 10 H	2-C3,D	3-C7,D	6-C7,R					
K15 TSTEND CSEL L	15-A2,L	17-B5,R	17-B5,R	K2 BDAL 09 L	2-C2,L	<BN2>	18-A4,R	<BN2>	K2 YDAL 11 H	2-C3,D	3-C7,D	6-C7,R					
K15 TSTEND CSEL L	15-A2,L	17-B5,R	17-B5,R	K2 BDAL 10 L	2-C2,L	<BP2>	18-A4,R	<BP2>	K2 YDAL 12 H	2-C3,D	3-C7,D	6-C7,R					
K15 TSTEND CSEL L	15-A2,L	17-B5,R	17-B5,R	K2 BDAL 11 L	2-C2,L	<BR2>	18-A4,R	<BR2>	K2 YDAL 13 H	2-C3,D	3-C7,D	6-C7,R					
K15 TSTEND CSEL L	15-A2,L	17-B5,R	17-B5,R	K2 BDAL 12 L	2-C2,L	<BS2>	18-A4,R	<BS2>	K2 YDAL 14 H	2-C3,D	3-C7,D	6-C7,R					
K15 TSTEND CSEL L	15-A2,L	17-B5,R	17-B5,R	K2 BDAL 13 L	2-C2,L	<BT2>	18-A4,R	<BT2>	K2 YDAL 15 H	2-C3,D	3-C7,D	6-C7,R					
K15 TSTEND CSEL L	15-A2,L	17-B5,R	17-B5,R	K2 BDAL 14 L	2-C2,L	<BU2>	18-A4,R	<BU2>	K2 YDAL 16 H	2-D3,D	6-B3,R	6-C7,R					
K15 TSTEND CSEL L	15-A2,L	17-B5,R	17-B5,R	K2 BDAL 15 L	2-C2,L	<BV2>	18-A4,R	<BV2>	K2 YDAL 17 H	2-D3,D	6-B3,R	6-C7,R					
K15 TSTEND CSEL L	15-A2,L	17-B5,R	17-B5,R	K2 BDAL 16 L	2-D2,L	<AC1>	18-A8,R	<AC1>	K2 YDAL 18 H	2-D3,D	6-C7,R						
K15 TSTEND CSEL L	15-A2,L	17-B5,R	17-B5,R	K2 BDAL 17 L	2-D2,L	<AC1>	18-A8,R	<AD1>	K2 YDAL 19 H	2-D3,D	6-C7,R						
K15 TSTEND CSEL L	15-A2,L	17-B5,R	17-B5,R	K2 BDAL 18 L	2-D2,L	<BC1>	18-A6,R	<BC1>	K2 YDAL 20 H	2-D3,D	6-C7,R						
K15 TSTEND CSEL L	15-A2,L	17-B5,R	17-B5,R	K2 BDAL 19 L	2-D2,L	<BD1>	18-A6,R	<BD1>	K2 YDAL 21 H	2-D3,D	6-C7,R						
K15 TSTEND CSEL L	15-A2,L	17-B5,R	17-B5,R	K2 BDAL 20 L	2-D2,L	<BE1>	18-A6,R	<BE1>	K3 FPA FPE L	1-C7,R	3-C2,L	12-C7,R	14-B7,R				
K15 TSTEND CSEL L	15-A2,L	17-B5,R	17-B5,R	K2 BDAL 21 L	2-D2,L	<BF1>	18-A6,R	<BF1>	K3 FPA JP L	2-D5,R	3-B2,L	5-B4,R					
K15 TSTEND CSEL L	15-A2,L	17-B5,R	17-B5,R	K2 KBS7 H	1-C3,R	2-D4,L			K3 FPA RUY H	3-C2,L	12-B7,R						
K15 TSTEND CSEL L	15-A2,L	17-B5,R	17-B5,R	K2 KFPA OP L	1-C3,R	2-D4,L			K3 FPA STL H	1-B8,R	3-C1,L	12-C7,R					
K15 TSTEND CSEL L	15-A2,L	17-B5,R	17-B5,R	K2 LAT XTOY L	2-A4,R	2-B6,L			K3 FPA STL L	3-C1,L							
K15 TSTEND CSEL L	15-A2,L	17-B5,R	17-B5,R	K2 XDAL 00 H	1-C3,R	2-A4,D	3-B3,R	5-C3,L	K3 ZDAL 00 H	3-B6,D	3-B8,R	3-C2,L	4-C6,L	5-B7,R			
K15 TSTEND CSEL L	15-A2,L	17-B5,R	17-B5,R	K2 XDAL 01 H	2-A4,D	2-B7,L	2-B7,R	3-B3,R	4-B7,R	4-C7,R	K3 ZDAL 01 H	3-B6,D	3-B8,R	3-C2,L	4-C6,L	5-B7,R	
K15 TSTEND CSEL L	15-A2,L	17-B5,R	17-B5,R									K3 ZDAL 02 H	3-B6,D	3-B8,R	3-C2,L	4-C6,L	5-B7,R
K15 TSTEND CSEL L	15-A2,L	17-B5,R	17-B5,R									K3 ZDAL 03 H	3-B6,D	3-B8,R	3-C2,L	4-C6,L	5-B7,R
K15 TSTEND CSEL L	15-A2,L	17-B5,R	17-B5,R									K3 ZDAL 04 H	3-B6,D	3-B8,R	3-C2,L	4-C5,L	5-B7,R
K15 TSTEND CSEL L	15-A2,L	17-B5,R	17-B5,R									K3 ZDAL 05 H	3-B6,D	3-B8,R	3-C2,L	4-C5,L	5-B7,R
K15 TSTEND CSEL L	15-A2,L	17-B5,R	17-B5,R									K3 ZDAL 06 H	3-B6,D	3-B8,R	3-C2,L	4-C5,L	5-B7,R
K15 TSTEND CSEL L	15-A2,L	17-B5,R	17-B5,R									K3 ZDAL 07 H	3-B6,D	3-B8,R	3-C2,L	4-C5,L	5-A7,R
K15 TSTEND CSEL L	15-A2,L	17-B5,R	17-B5,R									K3 ZDAL 08 H	3-C3,R	3-C6,D	3-C8,R	4-C4,L	5-D7,R
K15 TSTEND CSEL L	15-A2,L	17-B5,R	17-B5,R									K3 ZDAL 09 H	3-C3,R	3-C6,D	3-C8,R	4-C4,L	5-D7,R
K15 TSTEND CSEL L	15-A2,L	17-B5,R	17-B5,R									K3 ZDAL 10 H	3-C3,R	3-C6,D	3-C8,R	4-C4,L	5-D7,R
K15 TSTEND CSEL L	15-A2,L	17-B5,R	17-B5,R									K3 ZDAL 11 H	3-C3,R	3-C6,D	3-C8,R	4-C4,L	5-D7,R
K15 TSTEND CSEL L	15-A2,L	17-B5,R	17-B5,R									K3 ZDAL 12 H	3-C3,R	3-C6,D	3-C8,R	4-C2,L	5-D7,R
K15 TSTEND CSEL L	15-A2,L	17-B5,R	17-B5,R									K3 ZDAL 13 H	3-C3,R	3-C6,D	3-C8,R	4-C2,L	5-D7,R
K15 TSTEND CSEL L	15-A2,L	17-B5,R	17-B5,R									K3 ZDAL 14 H	3-C3,R	3-C6,D	3-C8,R	4-C2,L	5-D7,R
K15 TSTEND CSEL L	15-A2,L	17-B5,R	17-B5,R									K3 ZDAL 15 H	3-C3,R	3-C6,D	3-C8,R	4-C2,L	5-D7,R
K15 TSTEND CSEL L	15-A2,L	17-B5,R	17-B5,R									K4 CDHBP H	4-B5,L	5-C5,L	5-D7,R		
K15 TSTEND CSEL L	15-A2,L	17-B5,R	17-B5,R									K4 CDLBP H	4-B4,L	5-B7,R	5-C5,L		
K15 TSTEND CSEL L	15-A2,L	17-B5,R	17-B5,R									K4 CTAG 13 H	4-B4,L	5-D3,L			
K15 TSTEND CSEL L	15-A2,L	17-B5,R	17-B5,R									K4 CTAG 14 H	4-B4,L	5-D3,L			
K15 TSTEND CSEL L	15-A2,L	17-B5,R	17-B5,R									K4 CTAG 15 H	4-B4,L	5-D3,L			
K15 TSTEND CSEL L	15-A2,L	17-B5,R	17-B5,R									K4 CTAG 16 H	4-B5,L	5-D3,L			
K15 TSTEND CSEL L	15-A2,L	17-B5,R	17-B5,R									K4 CTAG 17 H	4-B5,L	5-D3,L			
K15 TSTEND CSEL L	15-A2,L	17-B5,R	17-B5,R									K4 CTAG 18 H	4-B5,L	5-D3,L			
K15 TSTEND CSEL L	15-A2,L	17-B5,R	17-B5,R									K4 CTAG 19 H	4-B6,L	5-D3,L			
K15 TSTEND CSEL L	15-A2,L	17-B5,R	17-B5,R									K4 CTAG 20 H	4-B6,L	5-D3,L			
K15 TSTEND CSEL L	15-A2,L	17-B5,R	17-B5,R									K4 CTAG 21 H	4-B6,L	5-D3,L			
K15 TSTEND CSEL L	15-A2,L	17-B5,R	17-B5,R									K4 CTAG PAR H	4-B6,L	5-D3,L	6-B2,R		

THIS DRAWING AND SPECIFICATIONS HEREIN, ARE THE PROPERTY OF DIGITAL EQUIPMENT CORPORATION AND SHALL NOT BE REPRODUCED OR COPIED IN ANY MANNER OR USED IN ANY MANNER OR FOR THE BASIS FOR THE MANUFACTURE OF ITEMS, WITHOUT WRITTEN PERMISSION OF DIGITAL EQUIPMENT CORPORATION.		REVISIONS CHK CHANGE NO. REV	digital DRN. J. JARZOSKI DATE 25-OCT-84 DATE BOARD LOCAL ONI. SHEET 20 OF 21 CSK: BUCRF, 128(4,24) 124-OCT-84 16:06 NEXT HIGHER ASSEMBLY: B-DD-M8190-0	TITLE: CPU MODULE NUMBER M8190-0-1 REV. C
--	--	--	---	---

7		6		5		4		3		2		1	
---	--	---	--	---	--	---	--	---	--	---	--	---	--

8		7		6		5		4		3		2		1		
K4 CTAG VLD H	4-B2,L	5-C4,R	6-B1,L	K6 DTAG 17 H	6-B6,L	6-D2,L										
K5 CTG MISS H	1-B8,R	5-D3,L	K6 DTAG 18 H	6-B6,L	6-D2,L											
K5 DEVC0 1 H	5-B3,L	14-A5,R	K6 DTAG 19 H	6-B6,L	6-D4,L											
K5 DEVC0 2 H	5-B3,L	14-A5,R	K6 DTAG 20 H	6-B6,L	6-D4,L											
K5 DLCTYC L	5-A1,L	12-A4,R	13-B3,R	K6 DTAG 21 H	6-B6,L	6-D4,L										
K5 EN PRD H	5-B6,L	6-C4,R	K6 DTAG PAR H	6-B1,L	6-B7,R	6-D2,L										
K5 ENB H0B H	5-B3,L	10-B4,R	K6 DTAG VLD H	6-B1,L	6-B7,R	6-D4,L										
K5 FLSHRQ H	5-B3,L	6-C7,R	12-C7,R	K6 DTG PERR H	5-D4,R	6-B6,L	14-C3,R									
K5 FRCE MISS H	5-B3,L	14-D2,R	K6 DTS CMP H	5-C4,R	6-B6,L	14-C3,R										
K5 HB PERR H	1-B8,R	5-D4,R	5-D6,L	K6 FLUSH H	6-B6,L	14-C2,R										
K5 IADR 09 H	5-D3,L	7-B5,L	7-C6,R	K6 MEM PERR H	5-D4,R	6-A6,L										
K5 IADR 10 H	5-B3,L	7-B5,L	7-C6,R	K6 QDMA CYC H	6-B6,L	12-D6,R	13-B5,R									
K5 IADR 11 H	5-B3,L	7-B5,L	7-C6,R	K7 IDAT 00 H	6-B6,L	7-B6,R	7-C5,L	8-B5,L	8-D7,R	9-D3,L						
K5 IADR 12 H	5-B3,L	7-B7,R	7-C6,R	K7 IDAT 01 H	6-B6,L	7-B6,R	7-C5,L	8-B5,L	8-D7,R	9-D3,L						
K5 IADR 13 H	5-B3,L	7-B6,R	7-C6,R	K7 IDAT 02 H	6-B6,L	7-B6,R	7-C5,L	8-B5,L	8-D7,R	9-D3,L						
K5 IADR 14 H	5-B3,L	7-C6,R	K7 IDAT 03 H	6-B6,L	7-B5,L	7-C5,L	8-B5,L	8-D7,R	9-D3,L							
K5 INIT L	5-A1,L	9-A4,R	9-B4,R	K7 IDAT 04 H	6-B6,L	7-B5,L	7-D5,L	8-B5,L	8-D7,R	9-D3,L						
K5 J CACHE DIS H	5-B3,L	14-D3,R	K7 IDAT 05 H	6-B6,L	7-B5,L	7-D5,L	8-B5,L	8-D7,R	9-D3,L							
K5 JREG REF H	5-B3,L	14-D2,R	K7 IDAT 06 H	6-B6,L	7-B5,L	7-D5,L	8-B5,L	8-D7,R	9-D3,L							
K5 JSTALL L	5-C3,L	13-B8,R	K7 IDAT 07 H	6-B6,L	7-B5,L	7-D5,L	8-A5,L	9-D3,L								
K5 LB PERR H	1-B8,R	5-B6,L	5-D4,R	K7 IDAT 08 H	6-B6,L	7-C4,L	9-D3,L									
K5 MEVENT L	1-C7,R	5-B3,L	K7 IDAT 09 H	6-A6,L	7-C4,L	9-D3,L										
K5 MPARITY L	1-C7,R	5-C3,L	K7 IDAT 10 H	6-A6,L	7-C4,L	9-D3,L										
K5 MPWR FAIL L	1-C7,R	5-A3,L	K7 IDAT 11 H	6-A6,L	7-C4,L	9-D3,L										
K5 NXM L	5-B3,L	6-B3,R	K7 IDAT 12 H	6-A6,L	7-D4,L	9-D3,L										
K5 PHBPAR L	5-C8,R	<CH1>	18-A2,R <CH1>	K7 IDAT 13 H	6-A6,L	7-D4,L	9-D3,L									
K5 PLBPAR L	5-C8,R	<CK1>	18-A2,R <CK1>	K7 IDAT 14 H	6-A6,L	7-D4,L	9-D3,L									
K5 PMAPE L	5-B1,L	<DD1>	18-B2,D <DD1>	K7 IDAT 15 H	6-A6,L	7-D4,L	9-D3,L									
K5 RD BCR L	5-A3,L	8-A6,R	K8 BCR0 L	8-A6,L	8-B3,R	9-D5,R										
K5 RD IDEV L	5-A3,L	7-A6,R	7-C6,R	9-D5,R	K8 BCR1 L	8-A6,L	8-B3,R	9-D5,R								
K5 SAMODE L	5-B3,L	6-C7,R	9-C8,R	14-C3,R	K8 BCR2 L	8-A6,L	8-B3,R	9-D5,R								
K5 SEL DL L	5-A3,L	9-D5,R	K8 FRCE DLG L	8-A6,L	8-B3,R											
K5 SEL ROM16 L	5-A3,L	7-C6,R	K8 LED 00 L	8-B3,R	8-D5,L											
K5 SEL ROM8 L	5-A3,L	7-A6,R	K8 LED 01 L	8-B3,R	8-D5,L											
K5 TBYTE H	5-C1,L	10-D7,R	11-C8,R	14-C3,R	K8 LED 02 L	8-B3,R	8-D5,L									
K5 TINIT H	5-B1,L	9-D5,R	10-B5,R	K8 LED 03 L	8-B3,R	8-D5,L										
K5 WR DISP L	5-A3,L	8-D7,R	K8 LED 04 L	8-B3,R	8-D5,L											
K5 WR FM FPA H	2-B8,R	5-A1,L	14-D2,R	K8 LED 05 L	8-B3,R	8-D5,L										
K5 WR FM FPA L	5-A1,L	14-A7,R	K9 BDMR L	9-B8,R	<AN1>	18-A8,R	<AN1>									
K5 WR IDEV L	5-A3,L	7-B5,L	7-C7,R	9-D5,R	K9 BIRQ4 L	9-A8,R	<AL2>	18-A8,R	<AL2>							
K5 WR WRONG PAR H	5-B3,L	5-C6,R	K9 BIRQ5 L	9-A8,R	<AA1>	18-B8,R	<AA1>									
K5 WRLB L	5-C3,L	14-D2,R	K9 BIRQ6 L	9-B8,R	<AB1>	18-B8,R	<AB1>									
K6 BUSCYC H	6-A7,L	12-D6,R	K9 BIRQ7 L	9-B8,R	<BP1>	18-A4,R	<BP1>									
K6 DADR 01 H	6-C4,R	6-C6,L	7-B6,R	7-C6,R	9-D5,R	K9 BRKIRQ H	9-C3,L	10-B4,R								
K6 DADR 02 H	6-C4,R	6-C6,L	7-B6,R	7-C6,R	9-D5,R	K9 CIRQ4 H	1-C7,R	9-A3,L								
K6 DADR 03 H	6-C4,R	6-C6,L	7-B6,R	7-C6,R	K9 KDJ60 H	5-B4,R	9-D3,L									
K6 DADR 04 H	6-C4,R	6-C6,L	7-B6,R	7-C6,R	K9 KDJ800 H	5-B4,R	9-D3,L									
K6 DADR 05 H	6-C4,R	6-C6,L	7-B6,R	7-C6,R	K9 RDMR H	9-B7,L	12-C7,R									
K6 DADR 06 H	6-C4,R	6-C6,L	7-B6,R	7-C6,R	K9 RIRQ5 H	1-C7,R	9-A7,L									
K6 DADR 07 H	6-C4,R	6-C6,L	7-B6,R	7-C6,R	K9 RIRQ6 H	1-C7,R	9-B7,L									
K6 DADR 08 H	6-C4,R	6-C6,L	7-B6,R	7-C6,R	K9 RIRQ7 H	1-C7,R	9-B7,L									
K6 DADR 09 H	6-C6,L	6-D4,R	K9 RXIRQ H	9-B5,R	9-C3,L											
K6 DADR 10 H	6-C6,L	6-D4,R	K9 RXVEC H	9-B3,L	14-D2,R											
K6 DADR 11 H	6-C6,L	6-D4,R	K9 SAMODE H	9-C7,L	14-A5,R											
K6 DADR 12 H	6-C6,L	6-D4,R	K9 SERIAL IN H	9-D1,L	9-D5,R											
K6 DMA HIT H	1-B8,R	6-B5,L	11-C8,R	K9 TIACK H	9-A2,L	10-B5,R	12-B7,R	17-C4,R								
K6 DMFL INV L	6-B3,R	6-B6,L	K9 TXIRQ H	9-A5,R	9-C3,L											
K6 DTAG 13 H	6-C6,L	6-D1,L	K9 TXVEC H	9-A2,L	14-C2,R											
K6 DTAG 14 H	6-C6,L	6-D1,L														
K6 DTAG 15 H	6-C6,L	6-D1,L														
K6 DTAG 16 H	6-C6,L	6-D2,L														

THIS DRAWING AND SPECIFICATIONS ARE THE PROPERTY OF DIGITAL EQUIPMENT CORPORATION AND SHALL NOT BE REPRODUCED OR COPIED IN ANY MANNER OR IN ANY MANNER OR FOR ANY PURPOSE WITHOUT THE WRITTEN PERMISSION OF DIGITAL EQUIPMENT CORPORATION.

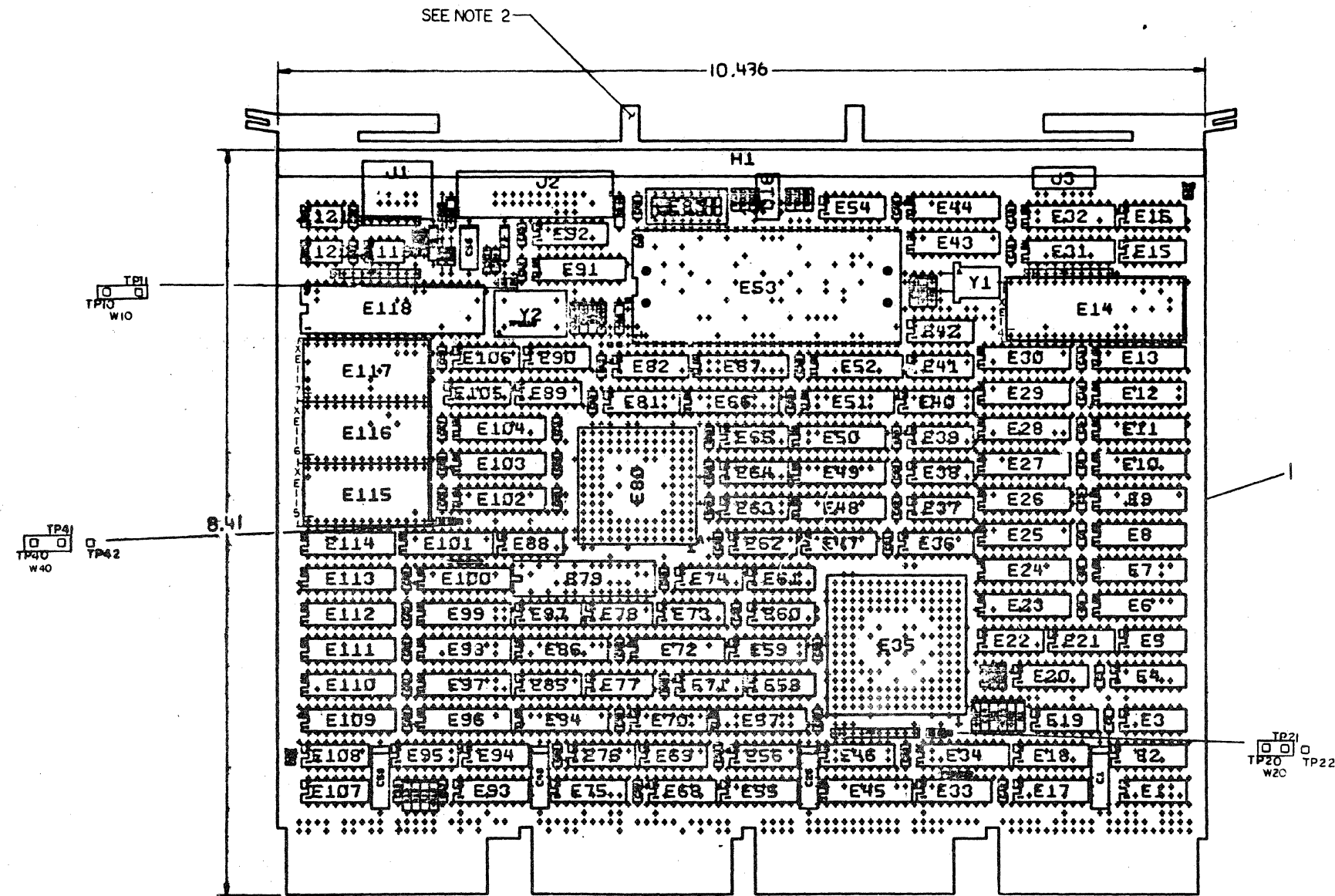
REVISIONS	
CHK	CHANGE NO. REV.

digital	DRN. J. JARZOSKI	DATE 25-OCT-84	ENG.	DATE 25-OCT-84	TITLE: CPU MODULE
	CHK'D.	DATE	BOARD LOCATION: CRET5	SHEET 21 OF 21	
FIRST USED ON OPTION/MODEL: KDJ11-B		DATE 124-OCT-84 15107	NEXT HIGHER ASSEMBLY: B-DD-M8190-0		
SIZE K	CODE CS	NUMBER M8190-0-1	REV. C		

REV. C
NUMBER M8190-0-1
SIZE K CS

THIS DRAWING AND SPECIFICATIONS, HEREIN, AND THE PROPERTY OF WESTINGHOUSE CORPORATION AND SHALL NOT BE REPRODUCED OR TRANSMITTED IN ANY FORM OR BY ANY MEANS, ELECTRONIC OR MECHANICAL, INCLUDING PHOTOCOPYING, RECORDING, OR BY ANY INFORMATION STORAGE AND RETRIEVAL SYSTEM, WITHOUT THE WRITTEN PERMISSION OF WESTINGHOUSE CORPORATION.
 © 1985

COMPONENT SIDE VIEW



NOTES: LRG IS NOT INSTALLED
 2. STAMP VARIATION (AB, AC, AD, AE) HERE AS CONFIGURED.

STEP E	↑ Y AXIS	STEP	TIMES
REPEAT	→ X AXIS	STEP	TIMES

CHANGE NO	REV	DATE	BY	CHKD
1	1	11-12-84	LA	
2	1	12-18-84	LA	
3	1	12-18-84	LA	
4	1	12-18-84	LA	
5	1	12-18-84	LA	
6	1	12-18-84	LA	
7	1	12-18-84	LA	
8	1	12-18-84	LA	

ETCH REV.	1A-P3
-----------	-------

SIGNATURES		DATE
DRN. Eric Zeman		11-12-84
CHK'D. G. Quinn		12-18-84
MECH. ENG. J. J. Smith		12-18-84
PROJ. ENG. J. J. Smith		12-18-84
PROD. J. J. Smith		12-18-84
SCALE 1:5		
SHT. 1	OF 1	
NEXT HIGHER ASSY. B-00-M8190-0		

digital
 TITLE
 KDJII-B CPU
 SIZE CODE NUMBER REV
 0 UA M8190-0-1 A

LINE	ITEM	TOP DOCUMENT	PART NUMBER	MIN REV	DESCRIPTION	VARIATION REVISION LEVEL:	QTY PER VARIATION				REFERENCE DESIGNATOR
							AB	AC	AD	AE	
							A1	A1	A1	A1	
1	1	D-MD-5016017-0-1	5016017-01		DRILL AND ETCH BOARD		1	1	1	1	
2	2		1002627-00		2.2MFD 20V 10% S.TANT		1	1	1	1	C56
3	3		1013466-19		470.0 MMF 50V 5% CER		2	2	2	2	C13,C14
4	4		1013466-25		68.0 MMF 50V 5% CER		2	2	2	2	C73,C74
5	5		1013466-45		220.0 MMF 1 50V 1% NPO CER		2	2	2	2	C44,C45
6	6		1014265-02		.33 MFD 50V +80-20% CER		58	58	58	58	C2,C3,C4,C5,C6,C7,C8,C9,C10,C11, CONT C12,C17,C18,C19,C20,C21,C22,C23, CONT C24,C25,C27,C28,C29,C30,C31,C32, CONT C33,C34,C35,C36,C37,C38,C39,C40, CONT C41,C42,C43,C46,C47,C49,C50,C51, CONT C52,C53,C54,C57,C58,C60,C61,C62, CONT C63,C64,C65,C66,C67,C68,C71,C72
7	7		1016681-00		.47 MFD 50V +80-20% CER		5	5	5	5	C15,C16,C55,C69,C70
8	8		1017472-00		10 MFD 35V +75-10% AL EL		4	4	4	4	C1,C26,C48,C59
9	9		1105275-00		PIV= 60 IO=300 MA -15NS		3	3	3	3	D5,D6,D7
10	10		1109977-00		VZ= 4.3 5% 1N749A		1	1	1	1	D8
11	11		1114136-00		LED 16MA 5V		6	6	6	6	D10,D11,D12,D13,D14,D15
12	12		1117373-00		LED ASSY GREEN		1	1	1	1	D16
13	13		1209941-06		PCB,HEADER 20PIN(2X20).100CC 90D		1	1	1	1	J2
14	14		1210929-02		FUSE, SUB-MINI 1.000A, 125V, A		2	2	2	2	F1,F2
15	15		1213113-01		HANDLE,MODULE,		1	1	1	1	
16	16		1213506-04		PCB HEADER 09PIN(2X05).100CC 90D		1	1	1	1	J1
17	17		1214434-00		PCB,HEADER 07PIN(1X06).100CC 90D		1	1	1	1	J3
18	18		1215006-07		SKT,IC 28PIN DIP TIN SOLD		3	3	3	3	XE115,XE116,XE117
19	19		1215006-08		SKT,IC 40PIN DIP TIN SOLD		1	1	1	1	XE14
20	20		1216116-01		SKT,IC 60PIN DIP		1	1	1	1	XE53
21	21		1217310-05		SW,DIP 8POS/1PST 5VDC100MA S		1	1	1	1	E83
22	22		1218783-00		JUMPER 02POS(1X02).100CC		3	3	3	3	W10,W20,W40
23	23		1300447-00		4.70 K .25 W 5.0 % CF		3	3	3	3	R1,R10,R11
24	24		1301320-00		1.20 K .25 W 5.0 % CF		1	1	1	1	R4

REVISION HISTORY			BASIC PART NO: M8190			DRN: JERRI JASON			DATE: 08-FEB-84			D I G I T A L			
ENG	ECO NUMBER	REV	SECTION A OF A			CHK'D: SUE BOURBEAU			DATE: 08-FEB-84			TITLE PARTS LIST			
---	INITIAL	A	SECTION VARIATION INDEX			DES.ENG: JOHN JARZOSKI			DATE: 08-FEB-84			DOCUMENT NUMBER			
HC	M8190-ML001	B	[A]	AB,AC,AD,AE		RESP.ENG.: JOHN JARZOSKI			DATE: 08-FEB-84			SIZE	CODE	NUMBER	REV
MT	M8190-ML002	C	[B]			MFG.ENG.: CARLTON GORDON			DATE: 08-FEB-84			K	PL	M8190-0-DBP1	A
JJ	M8190-TW003	A	[C]			ASSEMBLY NUMBER:			TOP DOCUMENT NUMBER:			FILE NAME:			EDIT #
			[D]			D-UA-M8190-0-1			B-DD-M8190-0-0			TW352A.PLS			20
			[E]												
			[F]												
			[G]												
			[H]												
			[I]												
			[J]												
			[K]												
			[L]												
			[M]												
			[N]												

"THIS DRAWING AND THE SPECIFICATIONS CONTAINED HEREIN ARE CONFIDENTIAL AND PROPRIETARY. THEY ARE THE PROPERTY OF DIGITAL EQUIPMENT CORPORATION AND SHALL NOT BE REPRODUCED OR COPIED OR USED IN WHOLE OR IN PART AS THE BASIS FOR THE MANUFACTURE OR SALE OF ITEMS WITHOUT WRITTEN PERMISSION. THIS IS AN UNPUBLISHED WORK PROTECTED UNDER THE FEDERAL COPYRIGHT LAWS."

LINE	ITEM	TOP DOCUMENT	PART NUMBER	MIN REV	DESCRIPTION	QTY PER VARIATION				REFERENCE DESIGNATOR
						AB A1	AC A1	AD A1	AE A1	
25	25		1301322-00		180.0 .25 W 5.0 % CF	1	1	1	1	R9
26	26		1301477-00		82.0 .25 W 5.0 % CF	1	1	1	1	R2
27	27		1301775-00		820.0 .25 W 5.0 % CF	1	1	1	1	R3
28	28		1302956-00		196.0 .25 W 1.0 % RN55D-F10	1	1	1	1	R13
29	29		1303037-00		90.90 .25 W 1.0 % RN55D-F10	1	1	1	1	R12
30	30		1309595-00		1.0 M .25 W 5.0 % CF	1	1	1	1	R5
31	31	BLANK			*** THIS ITEM IS NOT USED ***	-	-	-	-	.
32	32		1311003-01		R NETWORK 14-180 14-390 16PIN	4	4	4	4	E2,E33,E55,E75
33	33		1314252-00		130.0 K .25 W 1.0 % RN55D-F10	1	1	1	1	R8
34	34		1314990-00		158.0 K .25 W 1.0 % RN55D-F10	1	1	1	1	R7
35	35		1316395-00		R NETWORK 9-4.7K 2.0 % 10PIN	3	3	3	3	Z1,Z2,Z3
36	36		1321653-01		R NETWORK MULTI-VALUE 7PIN	1	1	1	1	Z4
37	37		1621946-01		DELAY= 85NS,6TAPS 28PIN DIP	1	1	1	1	E79
38	38		1809880-10		XTAL 15.206 MHZ	1	1	-	-	Y1
39	39		1811660-62		OSCILLATOR,XTAL 614.4 KHZ	1	1	1	1	Y2
40	40		1910545-00		74S112 FF-JK DUAL,EDGE TRIG	2	2	2	2	E40,E81
41	41		1911469-00		DEC 8640 RECEIVER,BUS,QUAD,U	2	2	2	2	E1,E56
42	42		1911579-00		8641 TRANSCEIVER,BUS,QUA	4	4	4	4	E17,E18,E46,E93
43	43		1911712-00		74S51 AND-OR GATE-INVERT D	2	2	2	2	E63,E107
44	44		1912649-00		LS75 LATCH 4BIT,BISTABLE	1	1	1	1	E4
45	45		1912808-00		LS11 AND GATE-TRIPLE 3IN	1	1	1	1	E105
46	46	BLANK			*** THIS ITEM IS NOT USED ***	-	-	-	-	.
47	47		1912818-00		LS38 NAND BUFFER-QUAD 2IN	1	1	1	1	E106
48	48		1912837-00		LS123 ONE SHOT-DUAL,RETRIG	1	1	1	1	E82
49	49		1914085-00		74S260 NOR GATE-DUAL,POS	2	2	2	2	E22,E87
50	50		1915019-00		74S38 NAND BUFFER-QUAD 2IN	1	1	1	1	E69
51	51		1915415-00		9636 DRIVER,DUAL,EIA RS-	1	1	1	1	E120
52	52		1916028-01		9643 DRIVER,TTL TO MOS,D	1	1	1	1	E119
53	53		1919015-00		DC 021 BUS TRANSCEIVER,20PI	3	3	3	3	E34,E45,E57
54	54		1919542-01		9639 RECEIVER,LINE,DUAL	1	1	1	1	E121
55	55		1920442-01		74F374 FF-D,OCTAL,TRI-STATE	10	10	10	10	E48,E49,E72,E86,E96,E97,E98,E99, CONT E100,E101
56	56		1920572-01		74F244 BUFFER/LINE DRIVER,0	2	2	2	2	E51,E91
57	57		1921010-01		74F373 OCTAL TRANSPARENT LA	15	15	15	15	E6,E11,E12,E13,E23,E28,E29,E30, CONT E31,E32,E43,E44,E50,E52,E66
58	58		1921305-01		74F00 NAND GATE,QUAD,2-IN	4	4	4	4	E37,E38,E73,E74
59	59		1921306-01		74F02 NOR GATE,QUAD,2-IN	5	5	5	5	E3,E15,E54,E62,E68
60	60		1921307-01		74F04 HEX INVERTER	6	6	6	6	E19,E41,E58,E64,E76,E94
61	61		1921308-01		74F08 AND GATE,QUAD,2-IN	2	2	2	2	E39,E61
62	62		1921312-01		74F32 OR GATE,QUAD,2-IN	6	6	6	6	E42,E88,E89,E95,E108,E65
63	63		1921313-01		74F64 AND OR INVERT GATE,4	3	3	3	3	E16,E71,E78
64	64		1921314-01		74F74 FF-D,DUAL,POS.,EDGE	4	4	4	4	E60,E77,E85,E90
65	65		1921316-01		74F138 DECODER/DEMUX,1-OF-8	1	1	1	1	E59
66	66		1921318-01		74F151 MUX,8-IN	2	2	2	2	E36,E47
67	67		1921323-01		74F174 FF-D,HEX	1	1	1	1	E92
68	68		1921329-01		74F253 MUX,DUAL,4-IN	1	1	1	1	E20
69	69		1921332-01		74F280 PARITY GEN/CHECK,9-B	2	2	2	2	E5,E21
70	70		2117312-00		UART DL-11 SOFTWARE	1	1	1	1	E118

D	I	G	I	T	A	L	TITLE	SECTION A	OF A	SIZE	CODE	DOCUMENT NUMBER	REV
							CPU MODULE			K	PL	M8190-0-DBP1	A

LINE	ITEM	TOP DOCUMENT	PART NUMBER	MIN REV	DESCRIPTION	QTY PER VARIATION				REFERENCE DESIGNATOR
						AB	AC	AD	AE	
VARIATION REVISION LEVEL:						A1	A1	A1	A1	
71	71	SEE NOTE	2119250-01		4KX4 STATIC RAM 45NS	11	11	11	11	E7,E8,E9,E10,E24,E25,E26,E27, CONT E102,E103,E104
72	85		2122770-01		DC350 CTAG/BUS ARBITRATOR 144 GA	1	1	-	-	E35
73	86		2122800-01		DC351 GATE ARRAY,KDJ11-B,120PIN	1	1	1	1	E80
74	72		23N1 -01		2048X 8 EPROM	1	1	1	1	E115
75	73		23001L2-00		L2-01	1	1	1	1	E84
76	74	BLANK			*** THIS ITEM IS NOT USED ***	-	-	-	-	
77	75	BLANK			*** THIS ITEM IS NOT USED ***	-	-	-	-	
78	76		23074B2-00		B2-02	1	1	1	1	E114
79	77		23075B2-00		B2-02	1	1	1	1	E113
80	78		23076B2-00		B2-02	1	1	1	1	E112
81	79		23077B2-00		B2-02	1	1	1	1	E111
82	80		23078B2-00		B2-02	1	1	1	1	E110
83	81		23079B2-00		B2-02	1	1	1	1	E109
84	82		5719400-04		HYBRID,ASSY W/2 CHIPS 15MHZ	1	1	-	-	E53
85	83		9000024-01		EYELET,ROLLED 0.1210DX0.192	6	6	6	6	
86	84		9009149-01		PIN,STAKNG 0.0250DX0.345LG SQUAR	8	8	8	8	CONT TP10,TP11,TP20,TP21,TP22,TP40, TP41,TP42
87	87		23116E5-00		E5-02,E5-03 U	1	1	1	1	E116
88	88		23117E5-00		E5-02,E5-03 U	1	1	1	1	E117
89	89	BLANK			*** THIS ITEM IS NOT USED ***	-	-	-	-	
90	90		2124200-01		144 PIN GRID ARRAY	-	-	1	1	E35
91	91		5719400-07		HYBRID,ASSY 18MHZ	-	-	1	1	E53
92	92		1809880-06		XTAL 18.000 MHZ	-	-	1	1	Y1
93	93		2121858-01		J-11 FLOATING POINT	-	1	-	-	E14
94	94		2121858-02		J-11 FLOATING POINT	-	-	-	1	E14
95	95	BLANK			*** THIS ITEM IS NOT USED ***	-	-	-	-	
96	96		23180J5-00		J5-03 PAL,LOGIC	1	1	1	1	E67
97	97		1921324-01		74F175 FF-D,QUAD	1	1	1	1	E70

98 NOTE: 1.THE -AB,-AC,-AD, AND -AE VARIATIONS MUST BE BUILT ON A 5016017-01 ETCH REV "D1" OR HIGHER.
 99 NOTE: 2.EITHER 21-19250-02 OR 21-19250-01 CAN BE USED ON -AB,-AC VARIATIONS. NO MIXING OF PARTS ALLOWED.

D	I	G	I	T	A	L	TITLE	SECTION A	OF A	SIZE	CODE	DOCUMENT NUMBER	REV
							CPU MODULE			K	PL	M8190-0-DBP1	A

LINE	ITEM	TOP DOCUMENT	PART NUMBER	MIN REV	DESCRIPTION	QTY PER VARIATION
1	1	D-UA-M8191-0-0	M8191-00		UNIBUS ADAPTOR FOR KDJ11-B W/MAP	1

VARIATION REVISION LEVEL: B A1

REVISION HISTORY			BASIC PART NO: KTJ11		D I G I T A L	
ENG	ECO NUMBER	REV	SECTION A OF A	DRN: D. HEALY	DATE: 06-NOV-84	TITLE PARTS LIST
---	INITIAL	A	SECTION VARIATION INDEX (A)B	CHK'D: D. HEALY	DATE: 06-NOV-84	KTJ11-B UBA
			(B)	DES.ENG: M. TEHRANIAN	DATE: 06-NOV-84	DOCUMENT NUMBER
			(C)	RESP.ENG.: M. TEHRANIAN	DATE: 06-NOV-84	SIZE CODE NUMBER REV
			(D)	MFG.ENG.: C. GORDON	DATE: 06-NOV-84	K PL KTJ11-B-DBP A
			(E)	ASSEMBLY NUMBER:	TOP DOCUMENT NUMBER:	RELEASE DATE: 06-NOV-84
			(F)		B-DD-KTJ11-B-DBU	FILE NAME: ML417A.PLS
						EDIT # 2

"THIS DRAWING AND THE SPECIFICATIONS CONTAINED HEREIN ARE CONFIDENTIAL AND PROPRIETARY. THEY ARE THE PROPERTY OF DIGITAL EQUIPMENT CORPORATION AND SHALL NOT BE REPRODUCED OR COPIED OR USED IN WHOLE OR IN PART AS THE BASIS FOR THE MANUFACTURE OR SALE OF ITEMS WITHOUT WRITTEN PERMISSION. THIS IS AN UNPUBLISHED WORK PROTECTED UNDER THE FEDERAL COPYRIGHT LAWS."

LINE	ITEM	TOP DOCUMENT	PART NUMBER	MIN REV	DESCRIPTION	VARIATION	REVISION LEVEL	QTY	PER VARIATION	REFERENCE DESIGNATOR
1	1	D-MD-5016000-0-0	5016000-01		DRILL AND ETCH			1	00	
2	2		1000064-00		3.9MFD	10V 10%	S.TANT	1	A2	C53
3	3		1005328-00		.33 MFD	20V 10%	S.TANT	1		C52
4	4		1010978-36		.1 MFD	50V 10%	CER	1		C54
5	5		1012784-00		.047 MFD	50V +80-20%	CER	101		C2,C3,C4,C5,C6,C7,C8,C9,C10,C11, CONT C12,C13,C14,C15,C16,C17,C19,C20, CONT C21,C22,C23,C25,C26,C27,C28,C29, CONT C30,C32,C33,C34,C35,C36,C38,C39, CONT C40,C41,C42,C43,C44,C45,C46,C49, CONT C55,C58,C59,C60,C61,C62,C63,C64, CONT C65,C66,C67,C68,C69,C70,C71,C73, CONT C74,C75,C76,C77,C78,C79,C80,C81, CONT C82,C83,C84,C85,C86,C87,C89,C90, CONT C91,C92,C93,C94,C95,C96,C97,C98, CONT C99,C100,C101,C102,C103,C501, CONT C502,C503,C504,C505,C506,C507, CONT C508,C509,C510,C511,C512,C513, CONT C514
6	6		1013466-27		820.0 MMF	50V 5%	X7R CER	4		C24,C47,C48,C51
7	7		1013466-28		1000.0 MMF	50V 5%	CER	2		C56,C57
8	8		1017472-00		10 MFD	35V +75-10%	AL EL	5		C1,C18,C31,C50,C72,C88
9	9		1215006-02		SKT,IC	16PIN DIP	TIN SOLD	4		XE142-XE145
10	10		1216988-02		HANDLE,MODULE,HEX	TWO EJECTORS		1		
11	11		1300316-00		470.0	.25 W 5.0 %	CF	3		R15,R16,R17
12	12		1300479-00		10.0 K	.25 W 5.0 %	CF	1		R14
13	13		1305125-00		383.0	.25 W 1.0 %	RN55D-F10	2		R12,R13
14	14		1305346-00		27.0 K	.25 W 5.0 %	CF	2		R1,R2
15	15		1311003-01		R NETWORK	14-180 14-390	16PIN	4		E112,E124,E150,E164
16	16		1311422-00		178.0	.25 W 1.0 %	RN55D-F10	5		R3,R4,R5,R10,R11
17	17		1312747-00		56.20 K	.25 W 1.0 %	RN55D-F10	4		R6,R7,R8,R9

REVISION HISTORY			BASIC PART NO: M8191			DRN: JERRI JASON			DATE: 10-FEB-84			D I G I T A L									
ENG	ECO NUMBER	REV	SECTION A OF A			CHK'D: SUE BOURBEAU			DATE: 10-FEB-84			TITLE PARTS LIST									
---	INITIAL	A	SECTION VARIATION INDEX			DES.ENG: MIKE TEHRANIAN			DATE: 10-FEB-84			DOCUMENT NUMBER									
MT	M8191-TW001	B	[A]	00	[B]	[C]	[D]	[E]	[F]	[H]	[J]	[K]	[L]	[M]	[N]	RESP.ENG.: MIKE TEHRANIAN	DATE: 10-FEB-84	K	PL	M8191-0-DBP	B
			[M]	[N]	MFG.ENG.: CARLTON GORDON			DATE: 10-FEB-84			RELEASE DATE: 03-MAY-85										
			ASSEMBLY NUMBER:			TOP DOCUMENT NUMBER:			FILE NAME:			EDIT #									
			D-UA-M8191-0-0			B-DD-M8191-0-0			Z0809B.PLS			8									

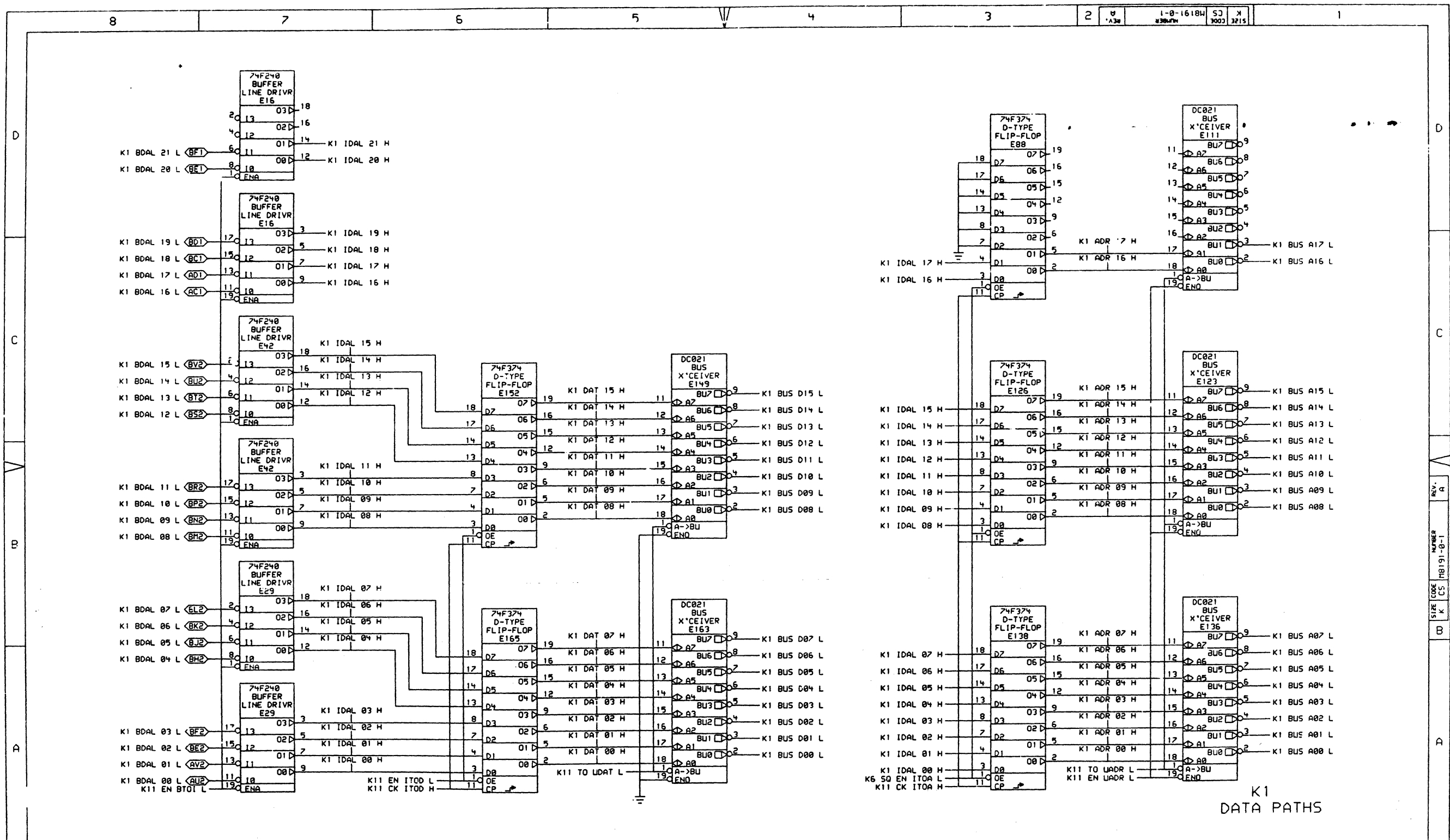
"THIS DRAWING AND THE SPECIFICATIONS CONTAINED HEREIN ARE CONFIDENTIAL AND PROPRIETARY. THEY ARE THE PROPERTY OF DIGITAL EQUIPMENT CORPORATION AND SHALL NOT BE REPRODUCED OR COPIED OR USED IN WHOLE OR IN PART AS THE BASIS FOR THE MANUFACTURE OR SALE OF ITEMS WITHOUT WRITTEN PERMISSION. THIS IS AN UNPUBLISHED WORK PROTECTED UNDER THE FEDERAL COPYRIGHT LAWS."

LINE	ITEM	TOP DOCUMENT	PART NUMBER	MIN REV	DESCRIPTION	QTY	PER VARIATION	REFERENCE DESIGNATOR
					VARIATION REVISION LEVEL:	00		
						42		
18	18		1621946-01		DELAY= 95NS,6TAPS 28PIN DIP	1		E44
19	19		1622219-01		DELAY= 14PIN DIP	2		E48,E94
20	20		1909705-00		DEC 8681 NAND GATE-QUAD 2IN 0	1		E82
21	21		1910537-00		74S11 AND GATE-TRIPLE 3INP	2		E62,E147
22	22		1911469-00		DEC 8640 RECEIVER,BUS,QUAD,U	1		E3
23	23		1911579-00		8641 TRANSCEIVER,BUS,QUA	5		E1,E95,E110,E137,E162
24	24		1911712-00		74S51 AND-OR GATE-INVERT D	3		E34,E81,E107
25	25		1911983-00		74S133 NAND GATE-POSITIVE 1	1		E55
26	26		1912089-00		74S85 CMPRTR-4BIT MAGNITUD	2		E114,E115
27	27		1912649-00		LS75 LATCH 4BIT,BISTABLE	1		E109
28	28		1912813-00		LS27 NOR GATE-TRIPLE 3IN	1		E64
29	29		1912837-00		LS123 ONE SHOT-DUAL,RETRIG	2		E96,E97
30	30		1912849-00		LS161 COUNTER,SYNCHR,4BIT	1		E172
31	31		1912858-00		LS221 ONE SHOT-DUAL,SCHMIT	1		E80
32	32		1913788-00		26S10 TRANSCEIVER,BUS,QUA	1		E2
33	33		1914085-00		74S260 NOR GATE-DUAL,POS	1		E43
34	34		1914086-00		74S30 NAND GATE-POS 8IN	1		E153
35	35		1915019-00		74S38 NAND BUFFER-QUAD 2IN	2		E49,E67
36	36		1919015-00		DC 021 BUS TRANSCEIVER,20PI	5		E111,E123,E136,E149,E163
37	37		1920441-01		74F245 TRANSCEIVER,BI-DIREC	3		E155,E168,E170
38	38		1920442-01		74F374 FF-D,OCTAL,TRI-STATE	22		E11,E13,E17,E18,E19,E20,E21,E25, E31,E32,E33,E88,E113,E116,E126, E138,E151,E152,E157,E165,E166, E167 CONT E125,E139,E158 CONT E14,E15,E16,E27,E28,E29,E40,E41, CONT E42,E156 E30,E37,E66,E83,E105,E171 E50,E68,E76,E108,E134 E45,E52,E92,E117,E120,E154 E54,E75,E98,E148 E22,E70,E91 E59,E65,E69,E119,E159,E174 E61 E38,E46,E47,E51,E56,E57,E58,E60, CONT E63,E77,E78,E79,E93,E104,E106, CONT E121,E122,E135,E141,E160,E161, CONT E169 E173 E35,E36,E71 E146 E12,E23,E24 E26,E39 E84,E132 E103 E73,E74,E90,E133 E99 E89,E100,E102,E118
39	39		1920572-01		74F244 BUFFER/LINE DRIVER,0	3		
40	40		1921008-01		74F240 BUFFER/LINE DRIVER,I	10		
41	41		1921305-01		74F00 NAND GATE,QUAD,2-IN	6		
42	42		1921306-01		74F02 NOR GATE,QUAD,2-IN	5		
43	43		1921307-01		74F04 HEX INVERTER	6		
44	44		1921308-01		74F08 AND GATE,QUAD,2-IN	4		
45	45		1921309-01		74F10 NAND GATE,TRIPLE,3-I	3		
46	46		1921312-01		74F32 OR GATE,QUAD,2-IN	6		
47	47		1921313-01		74F64 AND OR INVERT GATE,4	1		
48	48		1921314-01		74F74 FF-D,DUAL,POS.,EDGE	22		
49	49		1921315-01		74F86 EXCLUSIVE OR GATE,QU	1		
50	50		1921316-01		74F138 DECODER/DEMUX,1-OF-8	3		
51	51		1921317-01		74F139 DECODER,DUAL,1-OF-4	1		
52	52		1921318-01		74F151 MUX,8-IN	3		
53	53		1921320-01		74F157 MUX,QUAD,2-IN	2		
54	54		1921323-01		74F174 FF-D,HEX	2		
55	55		1921326-01		74F182 CARRY LOOKAHEAD GEN.	1		
56	56		1921330-01		74F257 MUX,QUAD,2-IN	4		
57	57		1921333-01		74F283 BINARY FULL ADDER,4	1		
58	58		1921335-01		74F381 ARITHMETIC LOGIC UNI	4		

D	I	G	I	T	A	L	TITLE	UBA MODULE	SECTION A	OF A	SIZE	CODE	DOCUMENT NUMBER	REV
											K	PL	M8191-0-DBP	B

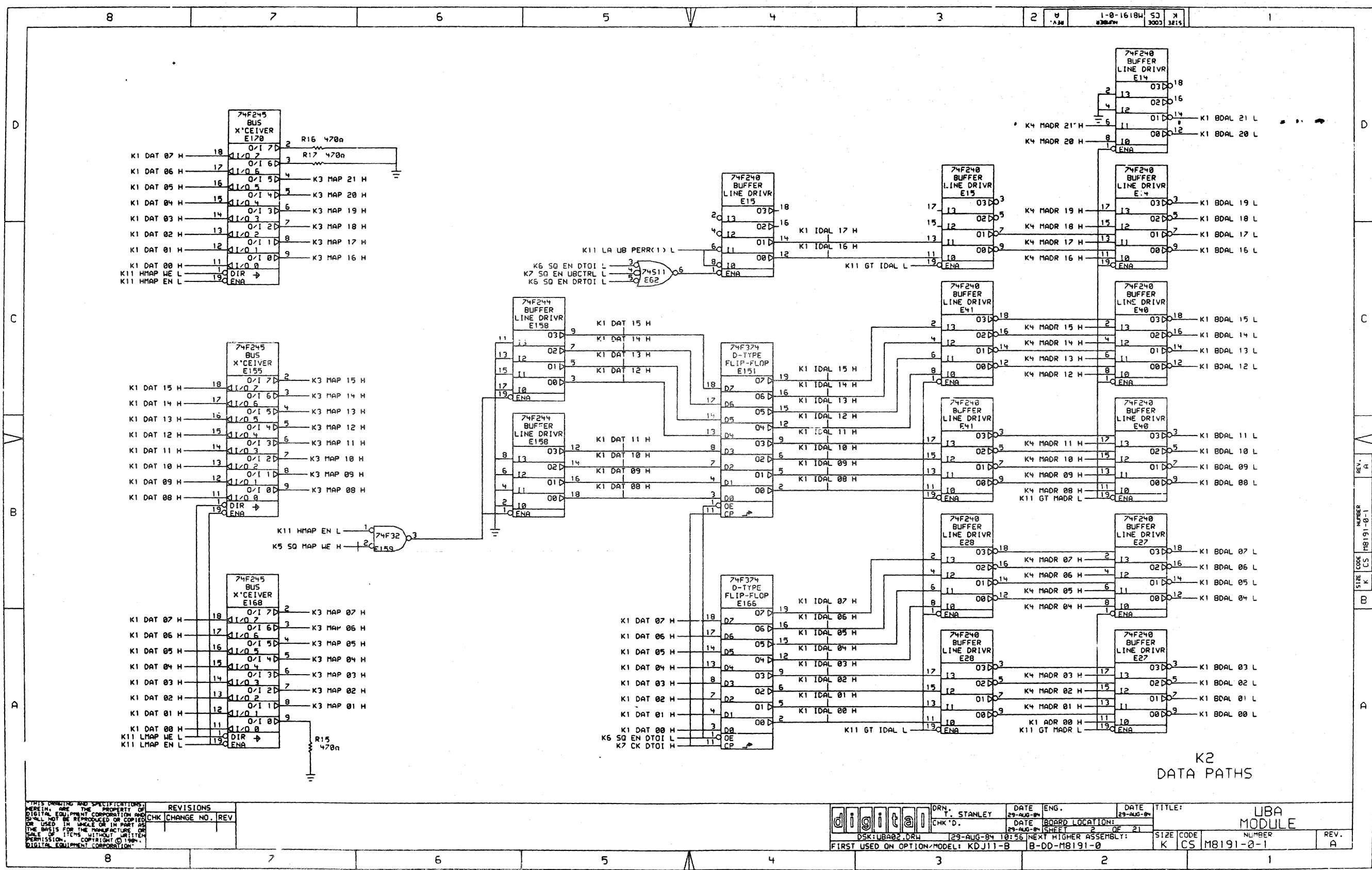
LINE	ITEM	TOP DOCUMENT	PART NUMBER	MIN REV	DESCRIPTION	QTY	PER VARIATION	REFERENCE DESIGNATOR
					VARIATION REVISION LEVEL:	00		
						A2		
59	59		2123157-01		CACHE MEMORY CONTROLLER	1		E53
60	60		2116957-15		1KX4 MOS RAM 35NS	10		E72,E85,E86,E87,E127,L128,L129, E130,E131,E140
61	61		1301320-00		1.20 K .25 W 5.0 % CF	1	CONT	R18
62	62		23163J5-00		J5-01 PAL,LOGIC	1		E101
63	63		9000024-01		EYELET,ROLLED 0.1210DX0.192	8		
64	64		23064B2-00		B2-02	1		E10
65	65		23065B2-00		B2-02	1		E9
66	66		23066B2-00		B2-02	1		E8
67	67		23067B2-00		B2-02	1		E7
68	68		23068B2-00		B2-02	1		E6
69	69		23069B2-00		B2-02	1		E5
70	70		23070B2-00		B2-02	1		E4
71	71		1215006-04		SKT,IC 20PIN DIP TIN SOLD	7		XE4-XE10

D	I	G	I	T	A	L	TITLE	SECTION A	OF A	SIZE	CODE	DOCUMENT NUMBER	REV
							UBA MODULE			K	PL	M8191-0-DBP	B

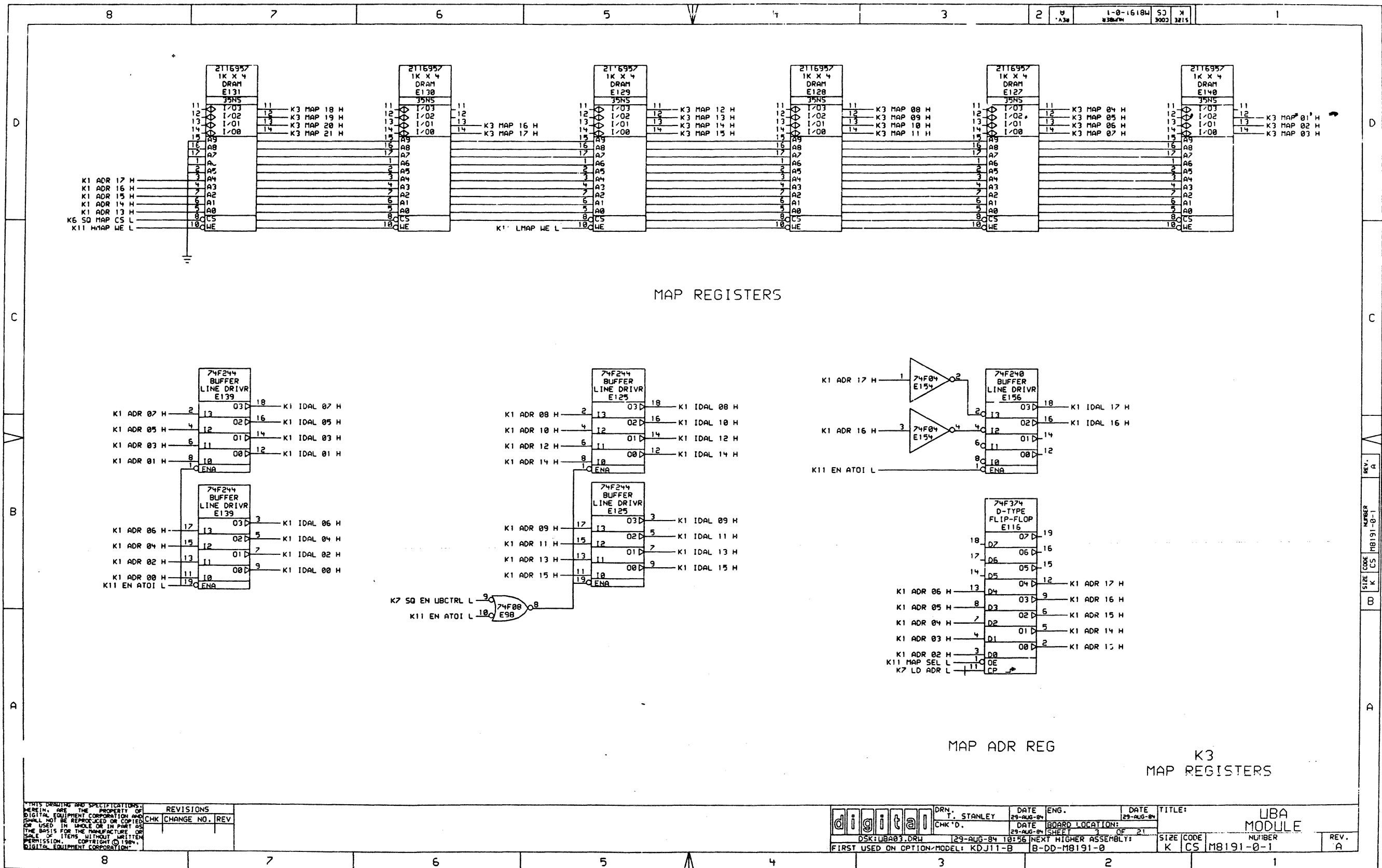


K1 DATA PATHS

THIS DRAWING AND SPECIFICATIONS ARE THE PROPERTY OF DIGITAL EQUIPMENT CORPORATION AND SHALL NOT BE REPRODUCED OR COPIED OR USED IN WHOLE OR IN PART AS THE BASIS FOR THE MANUFACTURE OR SALE OF ITEMS WITHOUT WRITTEN PERMISSION. COPYRIGHT © 1984, DIGITAL EQUIPMENT CORPORATION.		REVISIONS CHK. CHANGE NO. REV.	digital DRN. T. STANLEY DATE 29-AUG-84 DATE 29-AUG-84 SHEET 21 OF 21 FIRST USED ON OPTION/MODEL: KDJ11-B	ENG. DATE 29-AUG-84 BOARD LOCATION: 21 NEXT HIGHER ASSEMBLY: B-DD-M8191-0	TITLE: LIBA MODULE	SIZE CODE: K CS NUMBER: M8191-0-1 REV. A
--	--	-----------------------------------	---	--	-----------------------	--



THIS DRAWING AND SPECIFICATIONS ARE THE PROPERTY OF DIGITAL EQUIPMENT CORPORATION AND SHALL NOT BE REPRODUCED OR COPIED OR USED IN WHOLE OR IN PART AS THE BASIS FOR THE MANUFACTURE OR SALE OF ITEMS WITHOUT WRITTEN PERMISSION. COPYRIGHT © 1984, DIGITAL EQUIPMENT CORPORATION.	REVISIONS CHK CHANGE NO. REV	DRN. T. STANLEY CHK'D.	DATE 29-AUG-84 DATE 29-AUG-84	ENG. BOARD LOCATION: SHEET 2 OF 21	DATE 29-AUG-84 NEXT HIGHER ASSEMBLY: B-DD-M8191-0	TITLE: LBA MODULE NUMBER: M8191-0-1 REV. A
--	---------------------------------	---------------------------	----------------------------------	---------------------------------------	--	--



MAP REGISTERS

MAP ADR REG

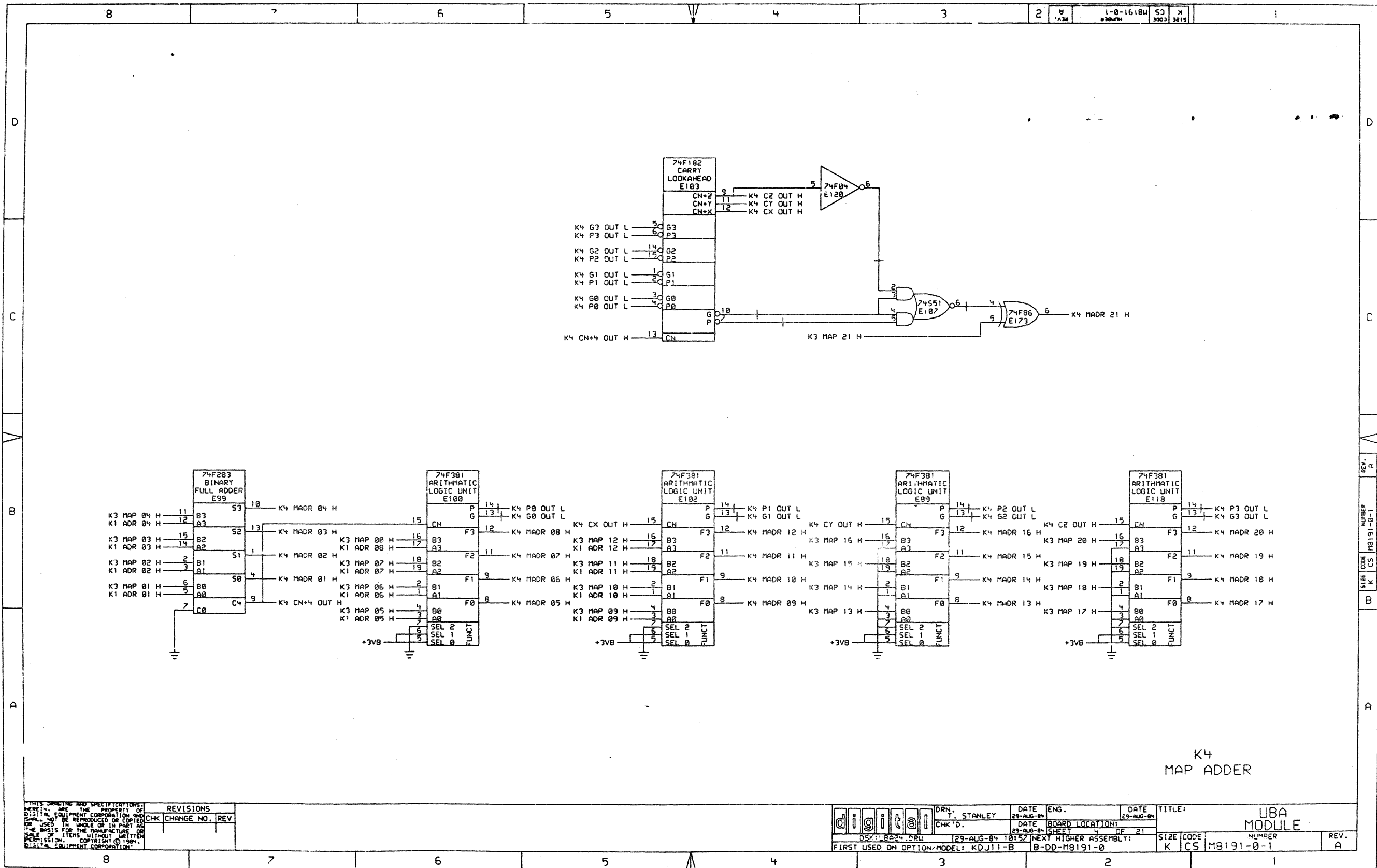
K3
MAP REGISTERS

THIS DRAWING AND SPECIFICATIONS
HEREIN ARE THE PROPERTY OF
DIGITAL EQUIPMENT CORPORATION AND
SHALL NOT BE REPRODUCED OR COPIED
OR USED IN WHOLE OR IN PART AS
THE BASIS FOR THE MANUFACTURE OR
SALE OF ITEMS WITHOUT WRITTEN
PERMISSION. COPYRIGHT © 1984
DIGITAL EQUIPMENT CORPORATION.

REVISIONS	
CHK	CHANGE NO. REV

digital	DRN. T. STANLEY	DATE 29-AUG-84	ENG.	DATE 29-AUG-84	TITLE: LBA MODULE
	CHK'D.	DATE 29-AUG-84	BOARD LOCATION: 3 OF 21	SHEET 3 OF 21	NUMBER
DSK:UBA03.DRW 29-AUG-84 10:56 NEXT HIGHER ASSEMBLY: B-DD-MB191-0					REV. A
FIRST USED ON OPTION MODEL: KDJ11-B					SIZE CODE K CS MB191-0-1

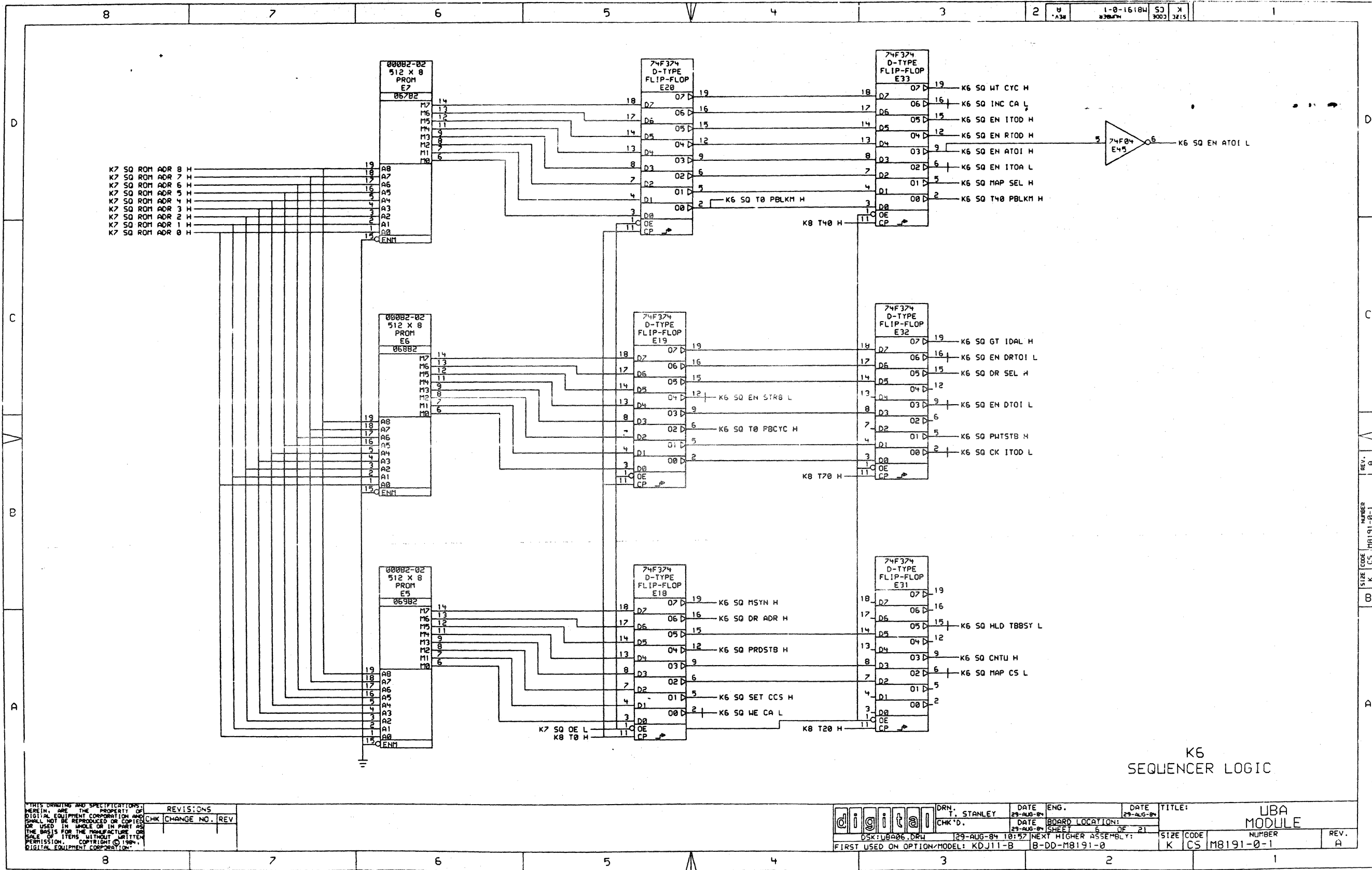
REV. A
NUMBER MB191-0-1
SIZE CODE K CS



THIS DRAWING AND SPECIFICATIONS ARE THE PROPERTY OF DIGITAL EQUIPMENT CORPORATION AND SHALL NOT BE REPRODUCED OR COPIED OR USED IN WHOLE OR IN PART AS THE BASIS FOR THE MANUFACTURE OR SALE OF ITEMS WITHOUT WRITTEN PERMISSION. COPYRIGHT © 1984, DIGITAL EQUIPMENT CORPORATION.

REVISIONS		
CHK	CHANGE NO.	REV

digital	DRN. T. STANLEY	DATE 29-AUG-84	ENG.	DATE 29-AUG-84	TITLE: LBA MODULE
	CHK'D.	DATE 29-AUG-84	BOARD LOCATION: 29-AUG-84	SHEET 4 OF 21	
FIRST USED ON OPTION/MODEL: KDJ11-B B-DD-M8191-0					SIZE CODE: K CS
					NUMBER: M8191-0-1
					REV. A

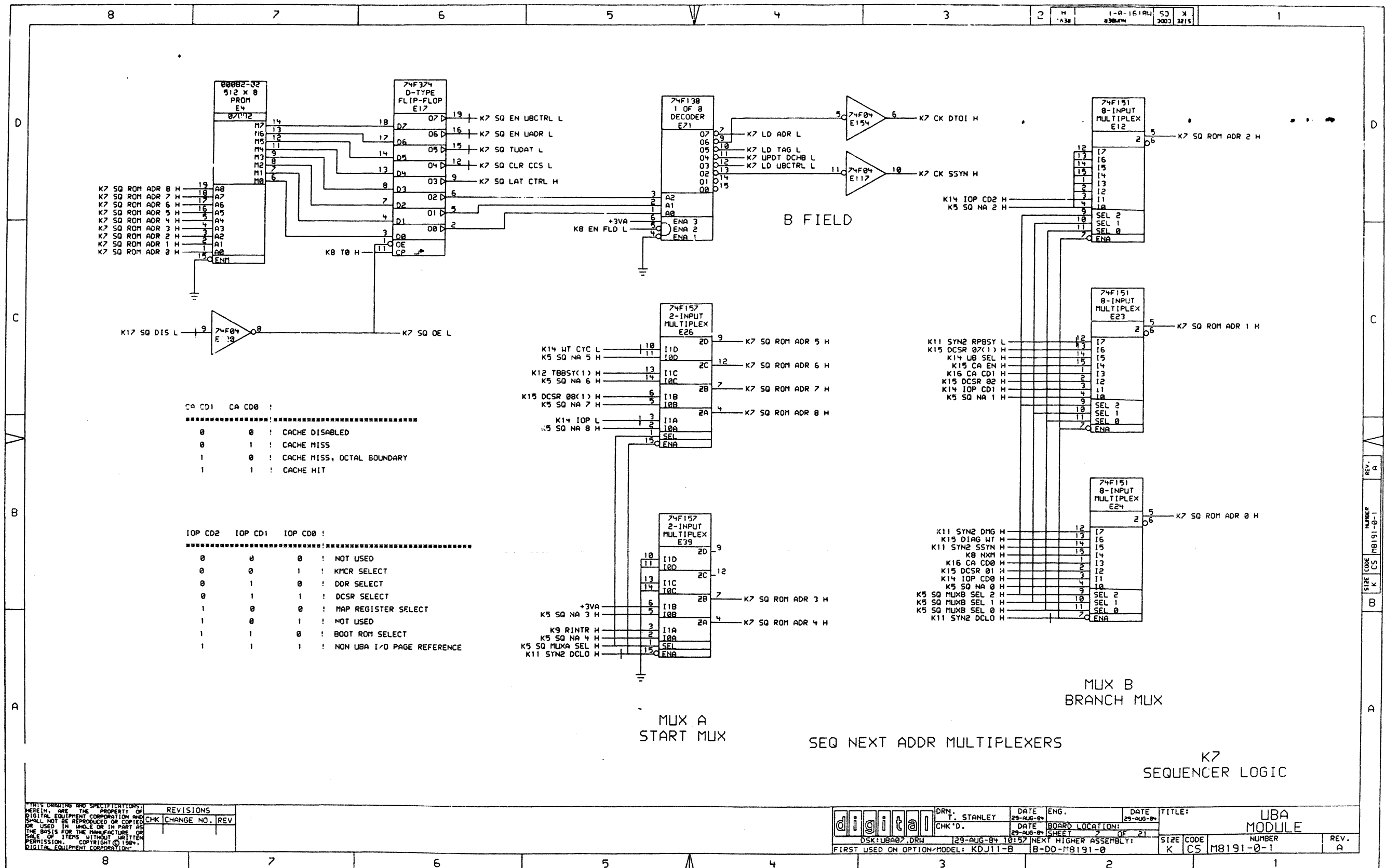


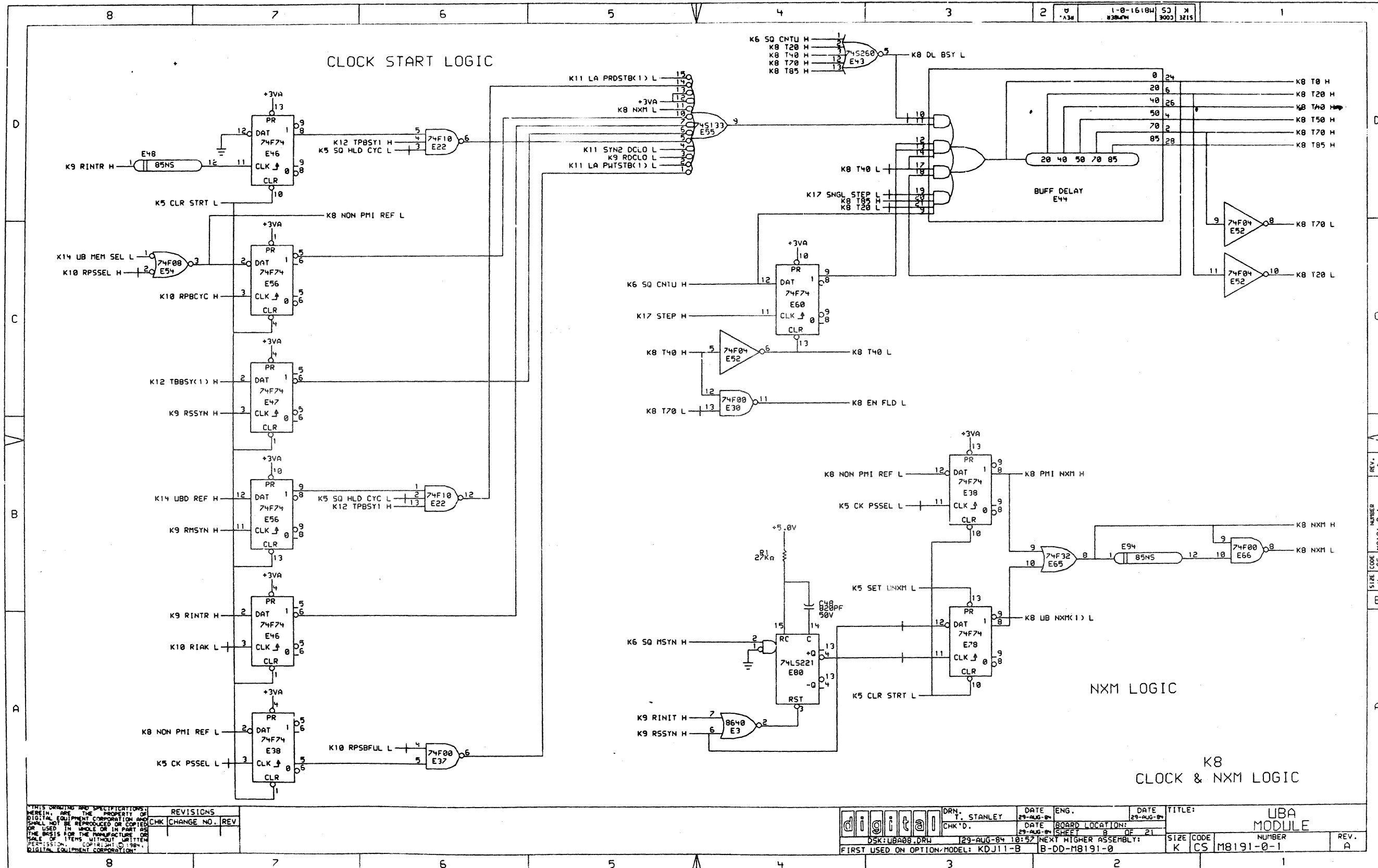
K6 SEQUENCER LOGIC

REVISIONS	
CHK	CHANGE NO. REV.

THIS DRAWING AND SPECIFICATIONS HEREIN ARE THE PROPERTY OF DIGITAL EQUIPMENT CORPORATION AND SHALL NOT BE REPRODUCED OR COPIED OR USED IN WHOLE OR IN PART AS THE BASIS FOR THE MANUFACTURE OR SALE OF ITEMS WITHOUT WRITTEN PERMISSION. COPYRIGHT © 1984, DIGITAL EQUIPMENT CORPORATION.

DRN. T. STANLEY	DATE 29-AUG-84	ENG.	DATE 29-AUG-84	TITLE: UBA MODULE
CHK'D.	DATE 29-AUG-84	BOARD LOCATION: 21	SHEET 5 OF 21	SIZE CODE K CS M8191-0-1
OSK:UBA06.DRW	29-AUG-84 10:57	NEXT HIGHER ASSEMBLY: B-DD-M8191-0	NUMBER	REV. A
FIRST USED ON OPTION/MODEL: KDJ11-B				

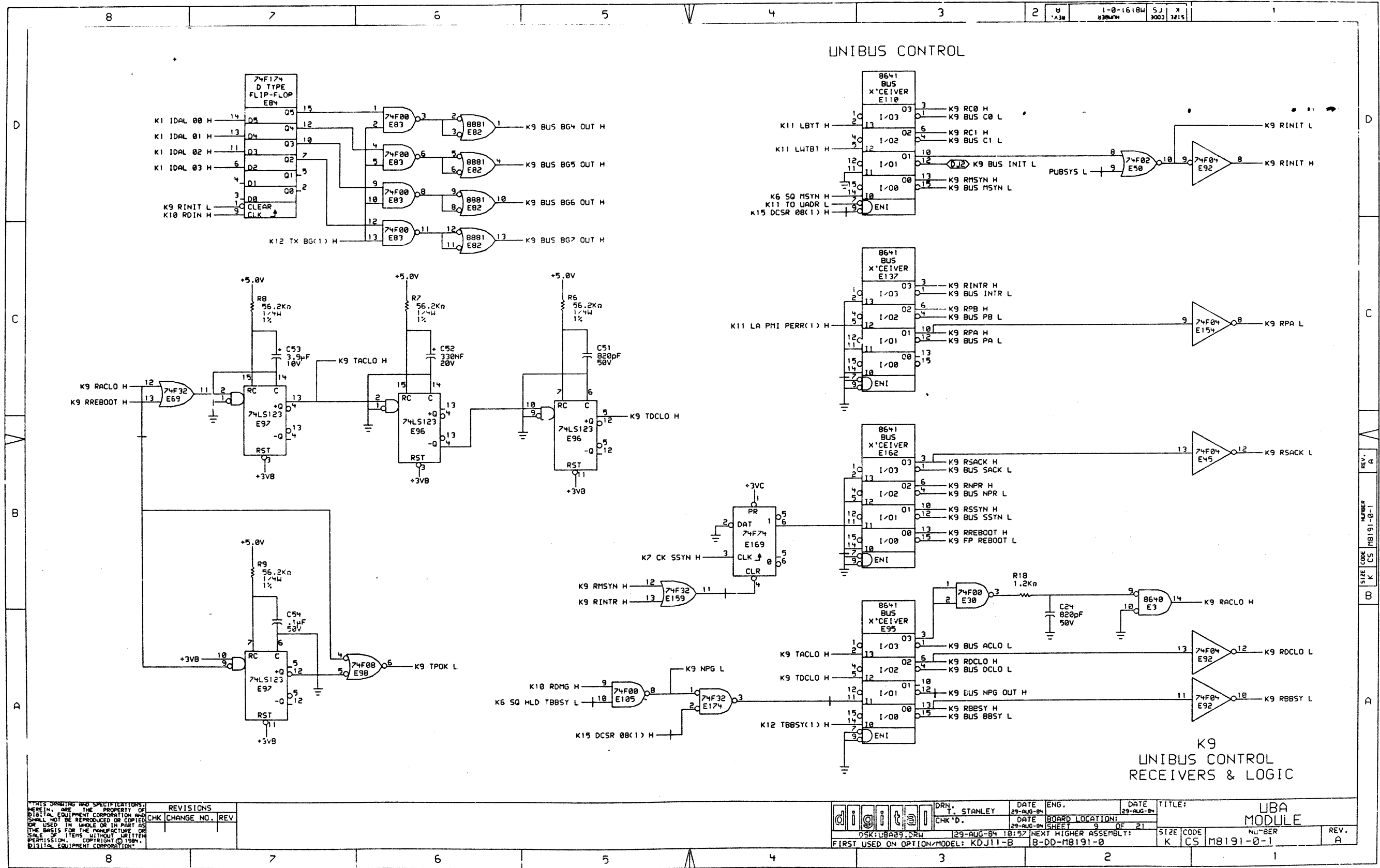




THIS DRAWING AND SPECIFICATIONS HEREIN ARE THE PROPERTY OF DIGITAL EQUIPMENT CORPORATION AND SHALL NOT BE REPRODUCED OR COPIED OR USED IN WHOLE OR IN PART AS THE BASIS FOR THE MANUFACTURE OR SALE OF ITEMS WITHOUT WRITTEN PERMISSION. COPYRIGHT © 1984, DIGITAL EQUIPMENT CORPORATION.

REVISIONS	
CHK	CHANGE NO. REV

digital	DRN. T. STANLEY	DATE 29-AUG-84	ENG.	DATE 29-AUG-84	TITLE: LBA MODULE
	CHK'D.	DATE 29-AUG-84	BOARD LOCATION: B	SHEET 8 OF 21	NUMBER
DSK: LBA00.DRW		29-AUG-84 10:52	NEXT HIGHER ASSEMBLY: B-DD-M8191-0	SIZE CODE K CS	M8191-0-1
FIRST USED ON OPTION MODEL: KDJ11-B					REV. A

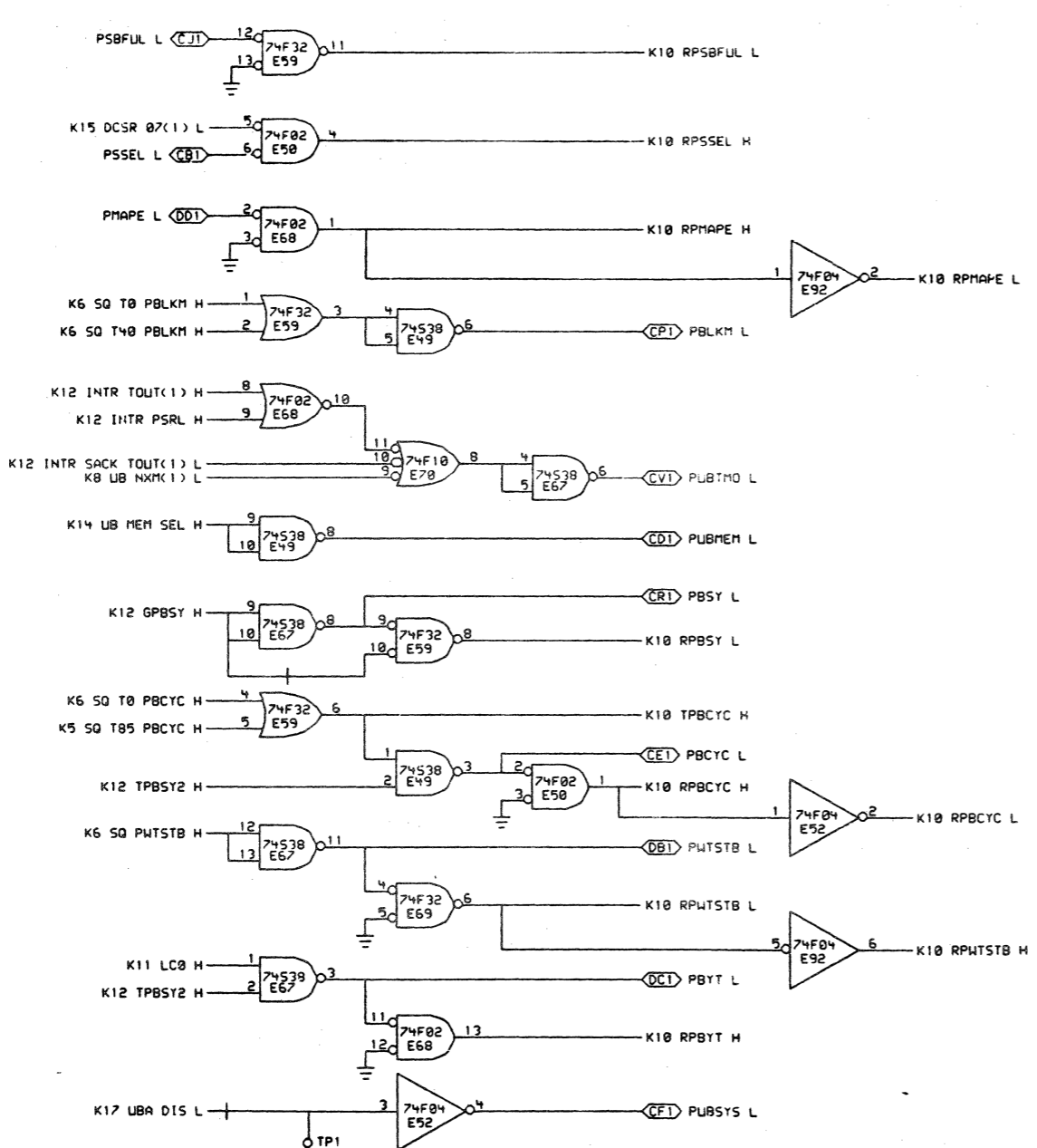


THIS DRAWING AND SPECIFICATIONS HEREIN ARE THE PROPERTY OF DIGITAL EQUIPMENT CORPORATION AND SHALL NOT BE REPRODUCED OR COPIED OR USED IN WHOLE OR IN PART AS THE BASIS FOR THE MANUFACTURE OR SALE OF ITEMS WITHOUT WRITTEN PERMISSION. COPYRIGHT © 1984, DIGITAL EQUIPMENT CORPORATION.

REVISIONS	
CHK	CHANGE NO. REV

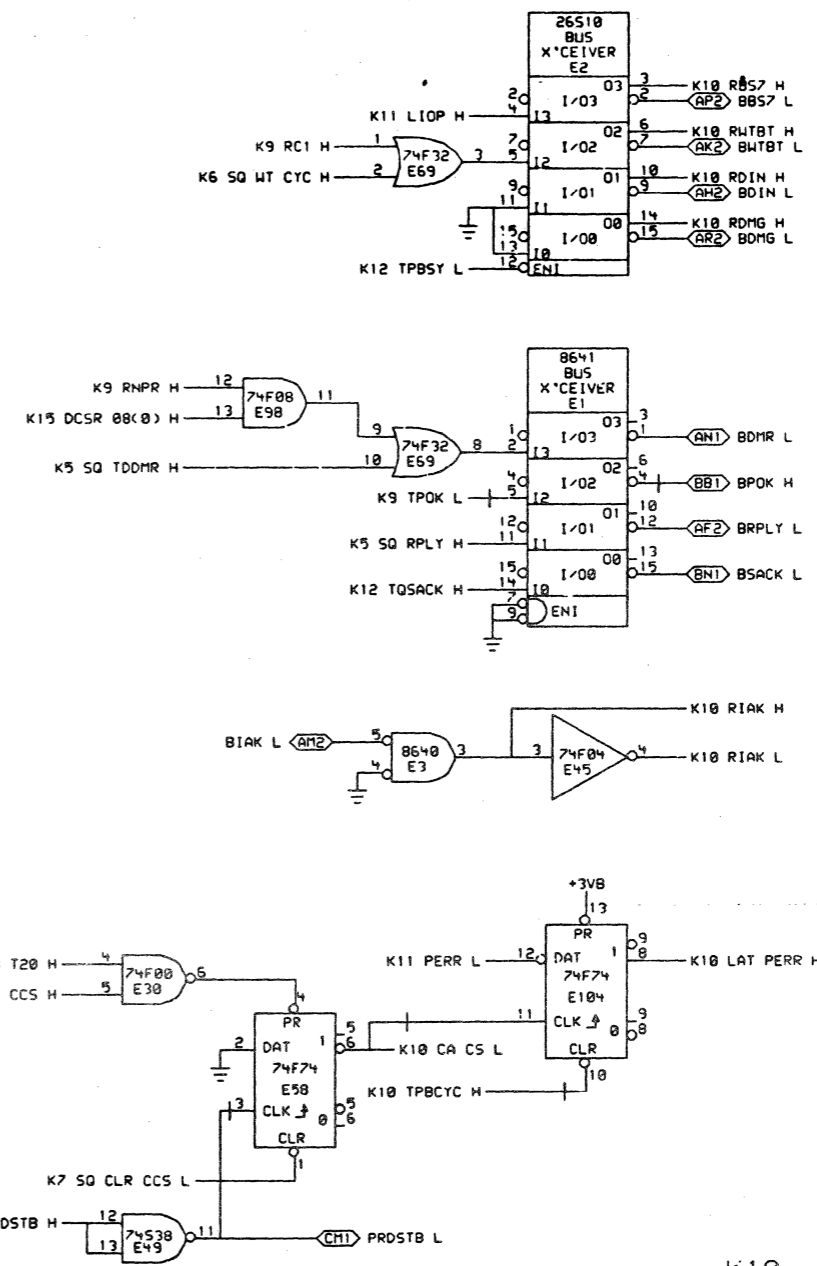
	DRN. STANLEY	DATE ENG. 29-AUG-84	DATE 29-AUG-84	TITLE: UBA MODULE
	CHK'D.	DATE BOARD LOCATION: 29-AUG-84	SHEET 9 OF 21	REV. A
DSK:UBA29.DRW 29-AUG-84 10:57 NEXT HIGHER ASSEMBLY: B-DD-M8191-0				SIZE CODE K CS NUMBER M8191-0-1 REV. A

Q-BUS CONTROLS



NOTE: TP1 AND TP2 ARE FOR MANUFACTURING TESTER ONLY

PMI CONTROLS



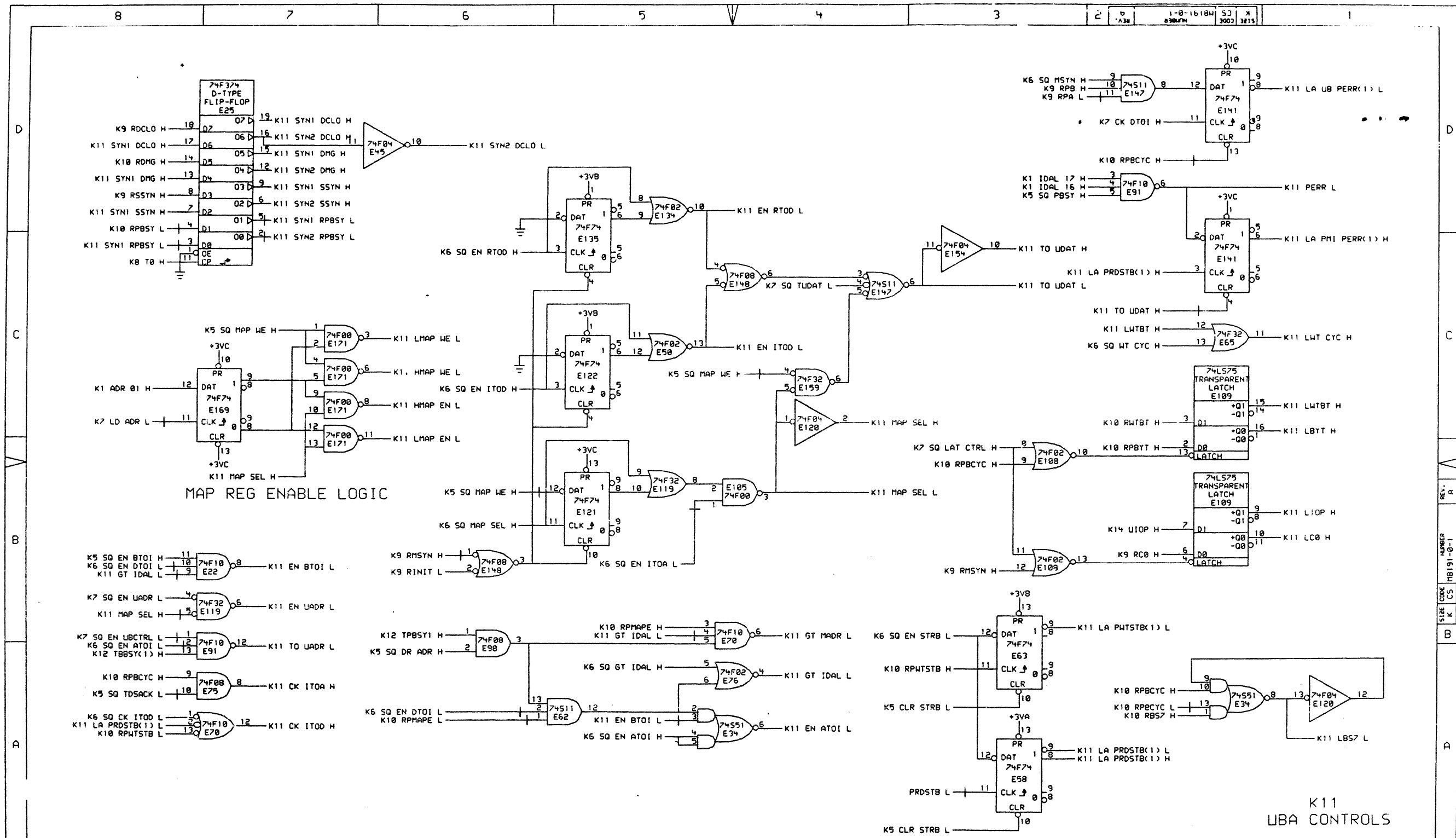
K10 QBUS & PMI RECEIVERS

THIS DRAWING AND SPECIFICATIONS ARE THE PROPERTY OF DIGITAL EQUIPMENT CORPORATION AND SHALL NOT BE REPRODUCED OR COPIED OR USED IN WHOLE OR IN PART AS THE BASIS FOR THE MANUFACTURE OR SALE OF ITEMS WITHOUT WRITTEN PERMISSION. COPYRIGHT © 1984 DIGITAL EQUIPMENT CORPORATION

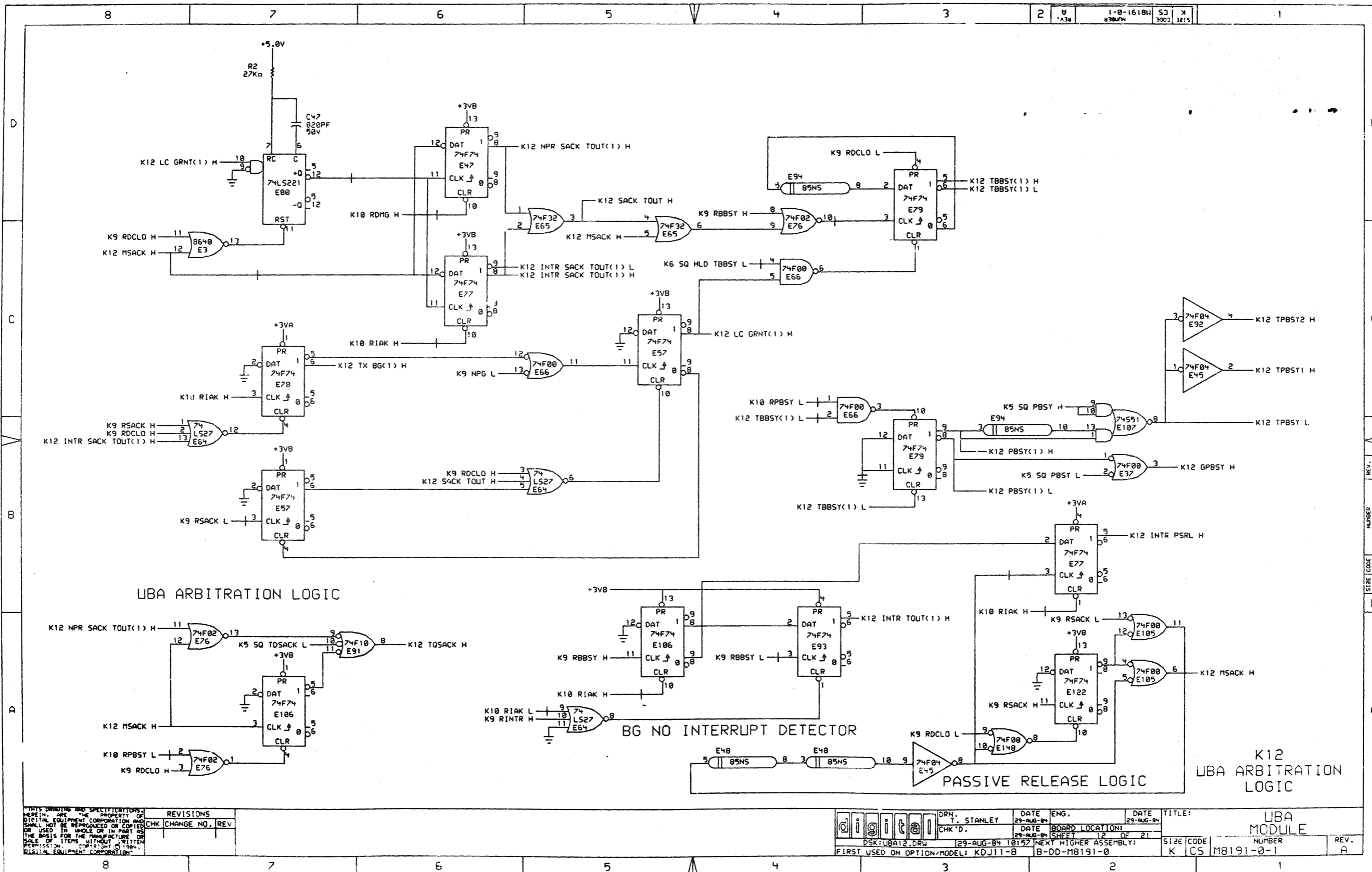
REV.	CHG.	NO.	REV.

REV.	CHG.	NO.	REV.

DRN. Y. STANLEY	DATE 29-AUG-84	ENG.	DATE 29-AUG-84	TITLE: LBA MODULE
CHK'D.	DATE 29-AUG-84	BOARD LOCATION: 10 OF 21	SIZE CODE K CS	NUMBER M8191-0-1
DSK: LBA10.DRW	29-AUG-84 10:57	NEXT HIGHER ASSEMBLY: B-DD-M8191-0	REV. A	
FIRST USED ON OPTION/MODEL: KDJ11-B				

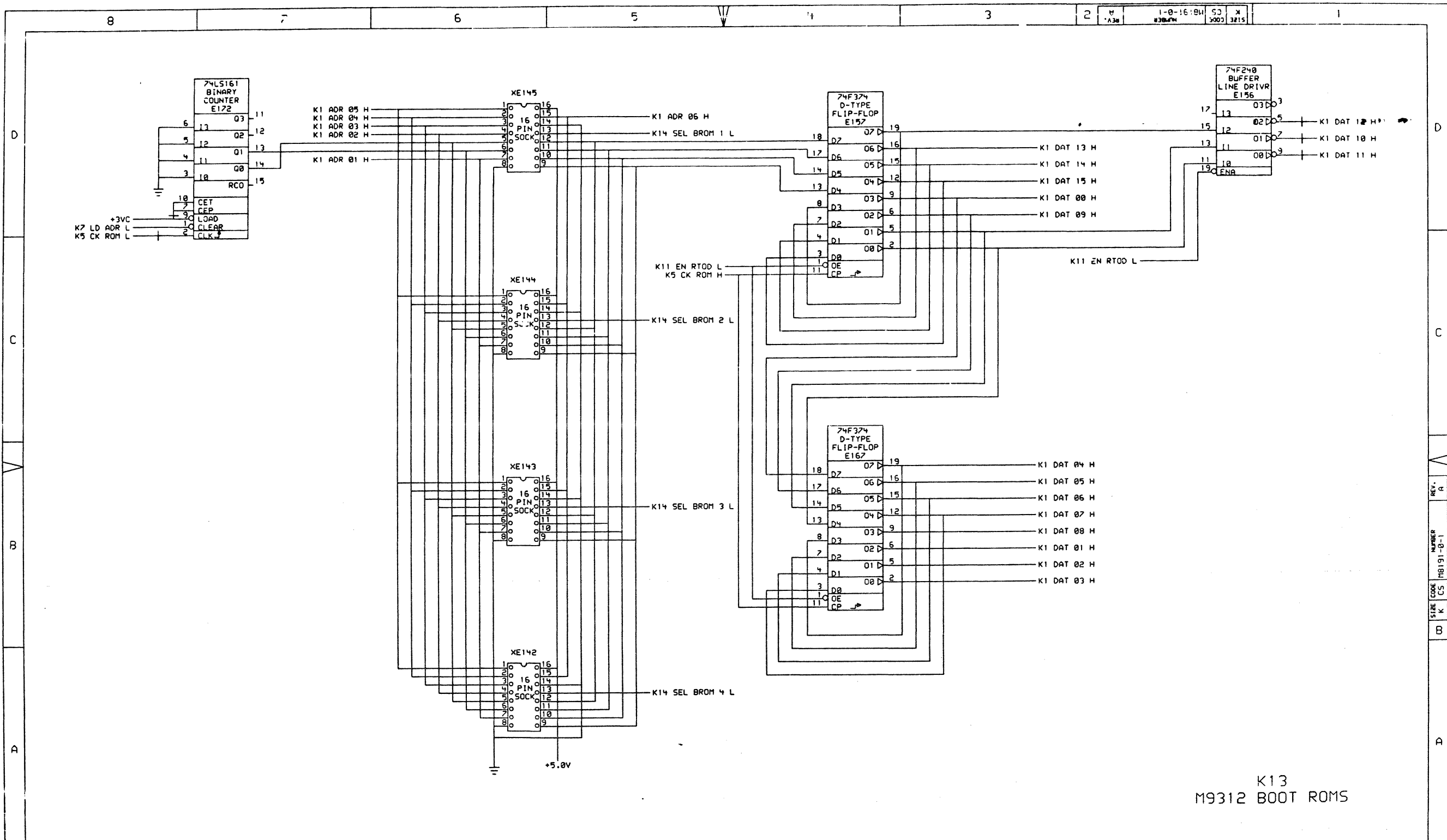


THIS DRAWING AND SPECIFICATIONS ARE THE PROPERTY OF DIGITAL EQUIPMENT CORPORATION AND SHALL NOT BE REPRODUCED OR COPIED IN WHOLE OR IN PART AS A BASIS FOR THE MANUFACTURE OR SALE OF ITEMS WITHOUT WRITTEN PERMISSION. COPYRIGHT © 1984, DIGITAL EQUIPMENT CORPORATION.		REVISIONS CHK CHANGE NO. REV		digital DRN. STANLEY DATE 29-AUG-84 ENG. DATE 29-AUG-84 TITLE: LIBA MODULE CHK'D. DATE 29-AUG-84 SHEET 11 OF 21 BOARD LOCATION: B-DD-M8191-0 OSK:UBA11.DRW 129-AUG-84 10:52 NEXT HIGHER ASSEMBLY: FIRST USED ON OPTIGN/MODEL: KDJ11-B		SIZE CODE K CS M8191-0-1 REV. A	
--	--	--	--	--	--	---------------------------------	--



REVISIONS	
CHK	CHANGE NO. REV

DRM. T. STANLEY	DATE 29-AUG-84	ENG.	DATE 29-AUG-84	TITLE: UBA MODULE
CHK'D.	DATE 29-AUG-84	BOARD LOCATION: SHEET 12 OF 21	SIZE CODE K CS M8191-0-1	NUMBER
DSK:UBA12.DRW	29-AUG-84 10:57	NEXT HIGHER ASSEMBLY: B-DD-M8191-0	REV. A	
FIRST USED ON OPTION MODEL: KDJ11-B				



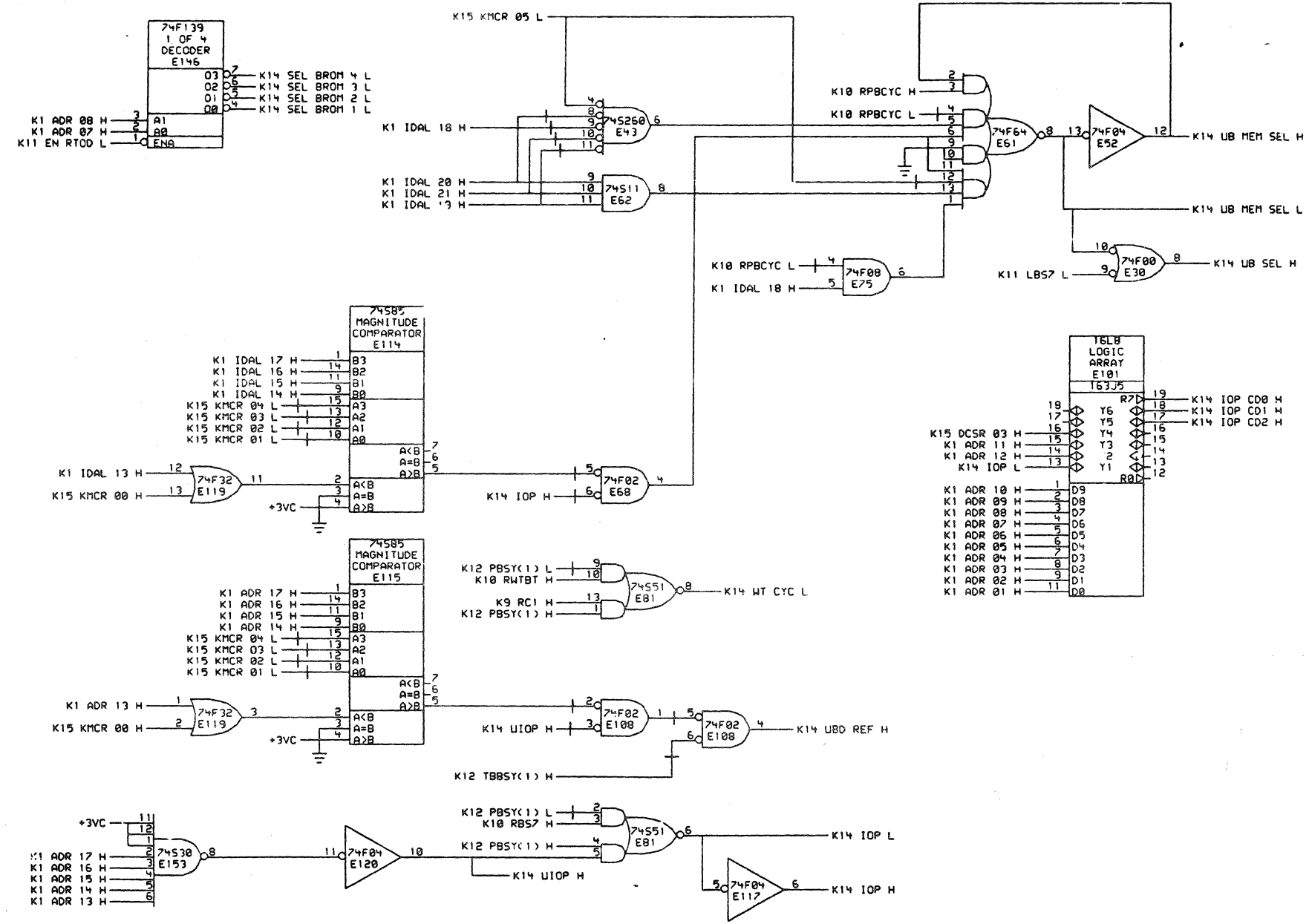
K13
M9312 BOOT ROMS

THIS DRAWING AND SPECIFICATIONS HEREIN ARE THE PROPERTY OF DIGITAL EQUIPMENT CORPORATION AND SHALL NOT BE REPRODUCED OR COPIED OR USED IN WHOLE OR IN PART AS THE BASIS FOR THE MANUFACTURE OR SALE OF ITEMS WITHOUT WRITTEN PERMISSION. COPYRIGHT © 1984, DIGITAL EQUIPMENT CORPORATION.

REVISIONS		
CHK	CHANGE NO.	REV

digital	DRN. T. STANLEY	DATE 29-AUG-84	ENG.	DATE 29-AUG-84	TITLE: LBA MODULE
	CHK'D.	DATE 29-AUG-84	BOARD LOCATION: SHEET 13 OF 21	NUMBER M8191-0-1	REV. A
DSK:UBA13.DRW		29-AUG-84 10:57	NEXT HIGHER ASSEMBLY: B-DD-M8191-0	SIZE CODE K CS	
FIRST USED ON OPTION/MODEL: KDJ11-B					

REV. A
NUMBER M8191-0-1
CS
K

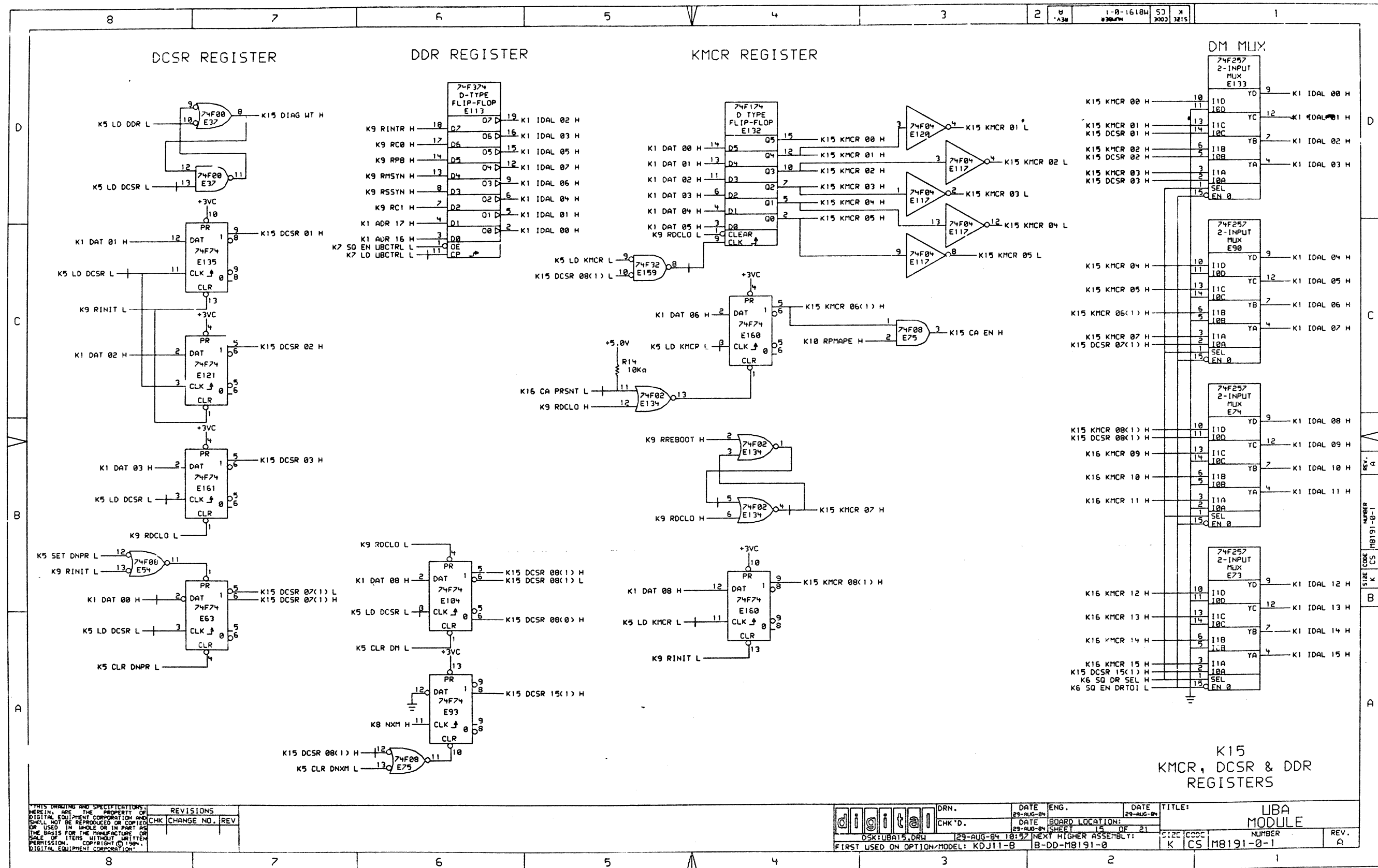


K14
ADDRESS SELECT
LOGIC

THIS DRAWING AND SPECIFICATIONS ARE THE PROPERTY OF DIGITAL EQUIPMENT CORPORATION AND SHALL NOT BE REPRODUCED OR COPIED OR USED IN WHOLE OR IN PART AS THE BASIS FOR THE MANUFACTURE OR SALE OF ITEMS WITHOUT WRITTEN PERMISSION. COPYRIGHT © 1984, DIGITAL EQUIPMENT CORPORATION.

REVISIONS	
CHK	CHANGE NO. REV

digital	DRN. T. STANLEY	DATE ENG. 29-AUG-84	DATE 29-AUG-84	TITLE: UBA MODULE
	CHK'D.	DATE BOARD LOCATION: 14	SHEET 31	NUMBER
DSK:UBA14.DRW		129-AUG-84 10:57	NEXT HIGHER ASSEMBLY:	SIZE CODE K CS M8191-0-1
FIRST USED ON OPTION: MODEL: KDJ11-B		18-DD-M8191-0		REV. A

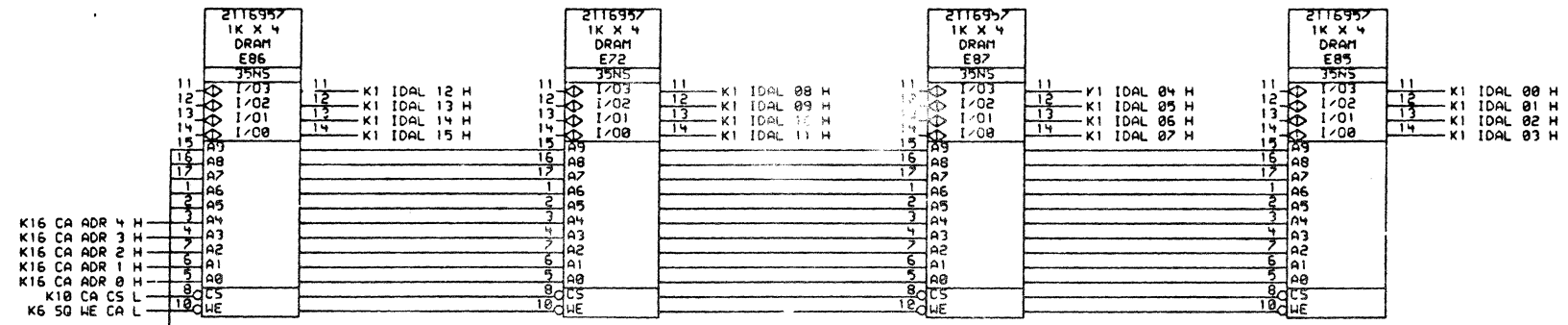


K15
KMCR, DCSR & DDR
REGISTERS

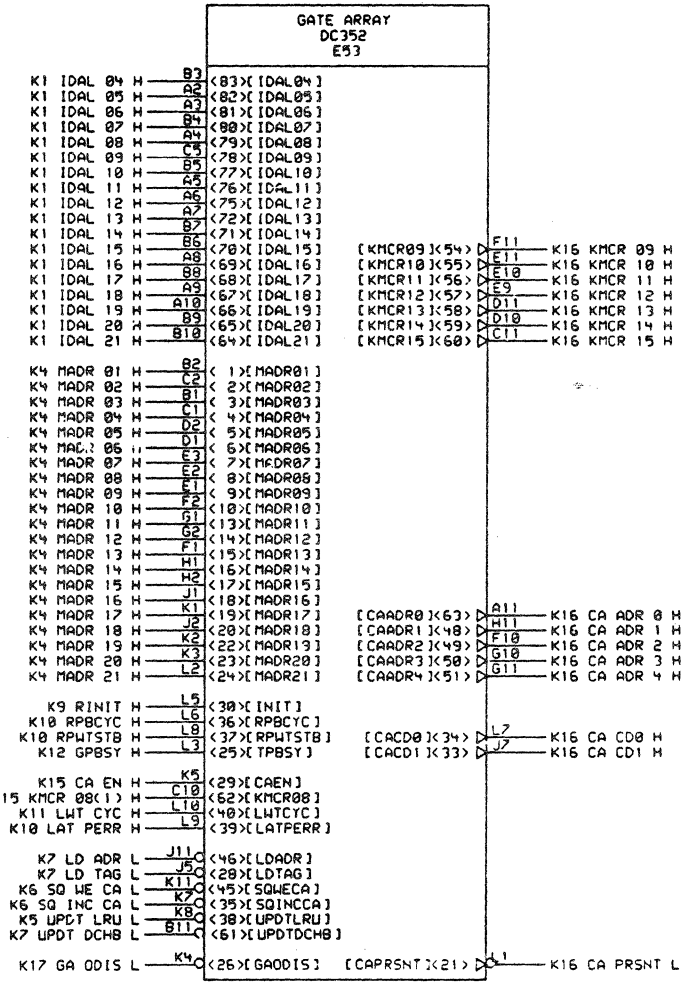
THIS DRAWING AND SPECIFICATIONS
HEREIN ARE THE PROPERTY OF
DIGITAL EQUIPMENT CORPORATION AND
SHALL NOT BE REPRODUCED OR COPIED
OR USED IN WHOLE OR IN PART AS
THE BASIS FOR THE MANUFACTURE OR
SALE OF ITEMS WITHOUT WRITTEN
PERMISSION. COPYRIGHT © 1984
DIGITAL EQUIPMENT CORPORATION.

REVISIONS		
CHK	CHANGE NO.	REV

digital	DRN.	DATE	ENG.	DATE	TITLE:	LBA MODULE
	CHK'D.	29-AUG-84		29-AUG-84		
DSK:UBAT5.DRW		129-AUG-84 10:52	NEXT HIGHER ASSEMBLY:	SIZE	CODC	NUMBER
FIRST USED ON OPTION/MODEL: KDJ11-B		B-DD-M8191-0		K	CS	M8191-0-1
						REV. A



UBA CACHE RAMS



K16
CACHE RAMS

THIS DRAWING AND SPECIFICATIONS HEREIN ARE THE PROPERTY OF DIGITAL EQUIPMENT CORPORATION AND SHALL NOT BE REPRODUCED OR COPIED OR USED IN WHOLE OR IN PART AS THE BASIS FOR THE MANUFACTURE OR SALE OF ITEMS WITHOUT WRITTEN PERMISSION. COPYRIGHT © 1984, DIGITAL EQUIPMENT CORPORATION.

REVISIONS		
CHK	CHANGE NO.	REV

DRN. T. STANLEY	DATE 29-AUG-84	ENG.	DATE 29-AUG-84	TITLE: UBA MODULE
CHK'D.	DATE 29-AUG-84	BOARD LOCATION: 15 DE 21	SIZE CODE K CS	NUMBER M8191-0-1
OSK:UBA16.DRW	29-AUG-84 10:57	NEXT HIGHER ASSEMBLY: B-DD-M8191-0	REV. A	
FIRST USED ON OPTION/MODEL: KDJ11-B				

8		7		6		5		4		3		2		1	
Vertical location (A-D)		Direction of line (Left, Right, Up, Down)		or electrical (Input, Output, Both)		or backplane pin (Pin)									
KEY:		SS-VH,D													
Schematic Sheet		Horizontal location (1-8)													
+3VA		5-A3,D 5-A3,R 5-B3,D 5-B3,R 5-D4,R 7-B5,R													
		7-D5,R 8-A7,D 8-B3,D 8-B7,D 8-B7,D 8-C4,D 8-C7,D 8-C7,D													
		8-D5,R 8-D7,D 11-A3,D 12-B2,D 12-C7,D 17-D5,R													
+3VB		4-A2,R 4-A4,R 4-A5,R 4-A6,R 9-A7,D 9-A7,R													
		9-B7,D 10-B2,D 11-B3,D 11-C5,D 11-D5,D 12-A2,D													
		12-A7,D 12-B5,R 12-B7,D 12-C5,D 12-C6,D 12-D6,D 17-D3,R													
+3VC		9-B4,D 11-B5,D 11-B7,U 11-C7,D 11-D2,D 11-D2,D													
		13-D8,R 14-A7,R 14-B6,R 14-B6,R 15-A6,D 15-B4,D 15-B7,D 15-C4,D													
		15-C7,D 15-D7,D 17-D1,R													
+5.0V		8-B4,D 9-B7,D 9-C5,D 9-C6,D 9-C7,D 12-D7,D													
		13-A5,D 15-C5,D 17-A6,R 17-A7,R 17-D1,R 17-D3,R 17-D4,R 17-D5,R													
		17-D7,L 17-C7,R <AA2> 17-C7,R <BA2> 17-C7,R <CA2>													
		17-B7,R <DA2> 17-B7,R <EA2> 17-B7,R <FA2>													
BBS7 L		10-D2,L <AP2>													
BDIN L		10-D2,L <AH2>													
BDMG L		10-D2,L <AR2>													
BDMR L		10-C2,L <AN1>													
BIAK L		10-B3,R <AM2>													
BPOK H		1-C2,L <BB1>													
BRPLY L		10-C2,L <AF2>													
BSACK L		10-C2,L <BN1>													
BHTBT L		10-D2,L <AK2>													
GND		17-A6,R 17-C7,R <AC2> 17-C7,R <AT1>													
		17-C7,R <BC2> 17-C7,R <BT1> 17-B7,R <CC2> 17-B7,R <CT1>													
		17-B7,R <DC2> 17-B7,R <DT1> 17-B7,R <EC2> 17-B7,R <ET1>													
		17-A7,R <FC2> 17-A7,R <FT1>													
K1 ADR 00 H		1-A2,D 2-A2,R													
K1 ADR 01 H		1-A2,D 3-B8,R 4-B8,R 11-C8,R 13-D7,R 14-B3,R													
K1 ADR 02 H		1-A2,D 3-A3,R 3-B8,R 4-B8,R 13-D7,R 14-B3,R													
K1 ADR 03 H		1-A2,D 3-A3,R 3-B8,R 4-B8,R 13-D7,R 14-B3,R													
K1 ADR 04 H		1-A2,D 3-A3,R 3-B8,R 4-B8,R 13-D7,R 14-B3,R													
K1 ADR 05 H		1-A2,D 3-B3,R 3-B8,R 4-A6,R 13-D7,R 14-B3,R													
K1 ADR 06 H		1-A2,D 3-B3,R 3-B8,R 4-B6,R 13-D5,L 14-B3,R													
K1 ADR 07 H		1-B2,D 3-C8,R 4-B6,R 14-B3,R 14-D7,R													
K1 ADR 08 H		1-B2,D 3-C5,R 4-B6,R 14-B3,R 14-D7,R													
K1 ADR 09 H		1-B2,D 3-B5,R 4-A5,R 14-B3,R													
K1 ADR 10 H		1-B2,D 3-B5,R 4-B5,R 14-B3,R													
K1 ADR 11 H		1-B2,D 3-B5,R 4-B5,R 14-C3,R													
K1 ADR 12 H		1-C2,D 3-B5,R 4-B5,R 14-C3,R													
K1 ADR 13 H		1-C2,D 3-A2,L 3-B5,R 3-D8,R 14-A7,R 14-B7,R													
K1 ADR 14 H		1-C2,D 3-A2,L 3-B5,R 3-D8,R 14-A7,R 14-B6,R													
K1 ADR 15 H		1-C2,D 3-A2,L 3-B5,R 3-D8,R 14-A7,R 14-B6,R													
K1 ADR 16 H		1-C2,D 3-B2,L 3-B3,R 3-D8,R 14-A7,R 14-B6,R													
		15-C6,R													
K1 ADR 17 H		1-C2,D 3-B2,L 3-C3,R 3-D8,R 14-A7,R 14-B6,R													
		15-D6,R													
K1 BDAL 00 L		2-A1,L 1-A7,R <AU2>													
K1 BDAL 01 L		2-A1,L 1-A7,R <AV2>													
K1 BDAL 02 L		2-A1,L 1-A7,R <BE2>													
K1 BDAL 03 L		2-A1,L 1-A7,R <BF2>													
K1 BDAL 04 L		2-B1,L 1-A7,R <BH2>													
K1 BDAL 05 L		2-B1,L 1-B7,R <BJ2>													
K1 BDAL 06 L		2-B1,L 1-B7,R <BK2>													
K1 BDAL 07 L		2-B1,L 1-B7,R <BL2>													
K1 BDAL 08 L		2-B1,L 1-B7,R <BM2>													
K1 BDAL 09 L		2-B1,L 1-B7,R <BN2>													
K1 BDAL 10 L		2-B1,L 1-B7,R <BP2>													
K1 BDAL 11 L		2-B1,L 1-B7,R <BR2>													
K1 BDAL 12 L		2-C1,L 1-C7,R <BS2>													
K1 BDAL 13 L		2-C1,L 1-C7,R <BT2>													
K1 BDAL 14 L		2-C1,L 1-C7,R <BU2>													
K1 BDAL 15 L		2-C1,L 1-C7,R <BV2>													
K1 BDAL 16 L		2-C1,L 1-C7,R <AC1>													
K1 BDAL 17 L		2-C1,L 1-C7,R <AD1>													
K1 BDAL 18 L		2-D1,L 1-C7,R <BC1>													
K1 BDAL 19 L		2-D1,L 1-D7,R <BD1>													
K1 BDAL 20 L		2-D1,L 1-D7,R <BE1>													
K1 BDAL 21 L		2-D1,L 1-D7,R <BF1>													
K1 BUS A00 L		1-A1,L 17-D4,R <ER2>													
K1 BUS A01 L		1-A1,L 17-D4,R <ER1>													
K1 BUS A02 L		1-A1,L 17-D4,R <EP2>													
K1 BUS A03 L		1-A1,L 17-D4,R <EP1>													
K1 BUS A04 L		1-A1,L 17-D4,R <EN2>													
K1 BUS A05 L		1-A1,L 17-D4,R <EN1>													
K1 BUS A06 L		1-A1,L 17-D4,R <EM2>													
K1 BUS A07 L		1-B1,L 17-D4,R <EM1>													
K1 BUS A08 L		1-B1,L 17-D4,R <EL2>													
K1 BUS A09 L		1-B1,L 17-D4,R <EL1>													
K1 BUS A10 L		1-B1,L 17-D4,R <EK2>													
K1 BUS A11 L		1-B1,L 17-D4,R <EK1>													
K1 BUS A12 L		1-C1,L 17-D4,R <EJ1>													
K1 BUS A13 L		1-C1,L 17-D4,R <EH2>													
K1 BUS A14 L		1-C1,L 17-D5,R <EE2>													
K1 BUS A15 L		1-C1,L 17-D5,R <EE1>													
K1 BUS A16 L		1-C1,L 17-D5,R <ED2>													
K1 BUS A17 L		1-C1,L 17-D5,R <ED1>													
K1 BUS D00 L		1-A4,L 17-D1,R <FL1>													
K1 BUS D01 L		1-A4,L 17-D1,R <FK2>													
K1 BUS D02 L		1-A4,L 17-D1,R <FK1>													
K1 BUS D03 L		1-A4,L 17-D1,R <FJ2>													
K1 BUS D04 L		1-A4,L 17-D1,R <FH1>													
K1 BUS D05 L		1-A4,L 17-D1,R <FF2>													
K1 BUS D06 L		1-A4,L 17-D1,R <FF1>													
K1 BUS D07 L		1-B4,L 17-D1,R <FE2>													
K1 BUS D08 L		1-B4,L 17-D3,R <FE1>													
K1 BUS D09 L		1-B4,L 17-D3,R <FD2>													
K1 BUS D10 L		1-B4,L 17-D3,R <FD1>													
K1 BUS D11 L		1-B4,L 17-D3,R <FB1>													
K1 BUS D12 L		1-C4,L 17-D3,R <EV2>													
K1 BUS D13 L		1-C4,L 17-D3,R <EV1>													
K1 BUS D14 L		1-C4,L 17-D3,R <EU2>													
K1 BUS D15 L		1-C4,L 17-D3,R <EU1>													
K1 DAT 00 H		1-A5,D 2-A5,R 2-A8,R 2-C8,R 13-D3,L 15-B8,R													
		15-D4,R													
K1 DAT 01 H		1-A5,D 2-A5,R 2-A8,R 2-C8,R 13-B3,L 15-C8,R													
		15-D4,R													
K1 DAT 02 H		1-A5,D 2-A5,R 2-A8,R 2-C8,R 13-B3,L 15-C8,R													
		15-D4,R													
K1 DAT 03 H		1-A5,D 2-A5,R 2-A8,R 2-D8,R 13-B3,L 15-B8,R													
		15-D4,R													
K1 DAT 04 H		1-A5,D 2-A5,R 2-A8,R 2-D8,R 13-B3,L 15-D4,R													
K1 DAT 05 H		1-A5,D 2-A5,R 2-A8,R 2-D8,R 13-B3,L 15-D4,R													
K1 DAT 06 H		1-A5,D 2-A5,R 2-A8,R 2-D8,R 13-B3,L 15-C4,R													
K1 DAT 07 H		1-B5,D 2-A5,R 2-A8,R 2-D8,R 13-B3,L													
K1 DAT 08 H		1-B5,D 2-B5,D 2-B8,R 13-B3,L 15-B5,R 15-B6,R													
K1 DAT 09 H		1-B5,D 2-B5,D 2-B8,R 13-D3,L													
K1 DAT 10 H		1-B5,D 2-B5,D 2-B8,R 13-D3,L													
K1 DAT 11 H		1-B5,D 2-B5,D 2-B8,R 13-D1,L													
K1 DAT 12 H		1-C5,D 2-B8,R 2-C5,D 13-D1,L													
K1 DAT 13 H		1-C5,D 2-B8,R 2-C5,D 13-D3,L													
K1 DAT 14 H		1-C5,D 2-C5,D 2-C8,R 13-D3,L													

		8		7		6		5		4		3		2		1						
D	K5 CLR STRT L	5-D2,L	8-A3,R	8-D7,R				K7 SQ CLR CCS L	7-D6,L	10-A3,R			K9 RINIT H	8-A5,R	9-D1,L	16-B3,R						
	K5 LD DCSR L	5-C3,L	15-A8,R	15-B6,R	15-B8,R	15-C8,R	15-D8,R	K7 SQ EN UADR L	7-D6,L	11-B8,R			K9 RINIT L	5-D3,R	9-D1,L	9-D7,R	11-B6,R	15-A4,R	15-B8,R			
	K5 LD DDR L	5-D2,L	15-D8,R					K7 SQ EN UBCTRL L	2-C5,R	3-B6,R	7-D6,L	11-B8,R	15-C6,R									
	K5 LD KMCR L	5-C3,L	15-A5,R	15-C4,R	15-C5,R			K7 SQ LAT CTRL H	7-D6,L	11-B3,R				K9 RINTR H	7-A5,R	8-A7,R	8-D8,R	9-B5,R	9-C3,L	12-A5,R		
	K5 SET DNPR L	5-C3,L	15-B8,R					K7 SQ OE L	5-A6,R	6-A5,R	7-C6,L											
	K5 SET UNXM L	5-D2,L	8-B3,R					K7 SQ ROM ADDR 0 H	5-D7,R	6-C7,R	7-B2,L	7-C8,R			K9 RMSYN H	8-B7,R	9-B5,R	9-D3,L	11-B7,R	11-B6,R	15-D6,R	
	K5 SQ DR ADR H	5-A3,L	11-A6,R					K7 SQ ROM ADDR 1 H	5-D7,R	6-D7,R	7-C2,L	7-C8,R			K9 RNPR H	9-B3,L	10-C3,R					
	K5 SQ EN BTOI H	5-A5,L	11-B8,R					K7 SQ ROM ADDR 2 H	5-D7,R	6-D7,R	7-C4,L	7-D2,L			K9 RPA H	9-C3,L						
	K5 SQ HLD CYC L	5-A5,L	8-B6,R	8-D6,R				K7 SQ ROM ADDR 3 H	5-D7,R	6-D7,R	7-B4,L	7-C8,R			K9 RPA L	9-C1,L	11-D3,R					
	K5 SQ MAP WE H	2-B7,R	5-B5,L	11-B6,R	11-C4,R	11-C7,R		K7 SQ ROM ADDR 4 H	5-D7,R	6-D7,R	7-A4,L	7-D8,R			K9 RPB H	9-C3,L	11-D3,R	15-D6,R				
C	K5 SQ MUXA SEL H	5-A5,L	7-A5,R					K7 SQ ROM ADDR 5 H	5-D7,R	6-D7,R	7-C4,L	7-D8,R			K9 RREBOOT H	9-B3,L	9-C8,R	15-B4,R				
	K5 SQ MUXB SEL 0 H	5-B5,L	7-B3,R					K7 SQ ROM ADDR 6 H	5-D7,R	6-D7,R	7-C4,L	7-D8,R			K9 RSACK H	9-B3,L	12-A2,R	12-B8,R				
	K5 SQ MUXB SEL 1 H	5-B5,L	7-B3,R					K7 SQ ROM ADDR 7 H	5-D7,R	6-D7,R	7-C4,L	7-D8,R			K9 RSACK L	9-B1,L	12-A2,R	12-B7,R				
	K5 SQ MUXB SEL 2 H	5-B5,L	7-B3,R					K7 SQ ROM ADDR 8 H	5-D7,R	6-D7,R	7-C4,L	7-D8,R			K9 RSSYN H	8-A5,R	8-C7,R	9-B3,L	11-D8,R	15-D6,R		
	K5 SQ NA 0 H	5-C5,L	7-B3,R					K7 SQ TUDAT L	7-D6,L	11-C4,R					K9 TACLO H	9-A4,R	9-C7,L					
	K5 SQ NA 1 H	5-D5,L	7-C3,R					K7 UPDT DCHB L	7-D4,L	16-A3,R					K9 TDCLO H	9-A4,R	9-C5,L					
	K5 SQ NA 2 H	5-D5,L	7-D3,R					K8 DL BSY L	8-D3,L						K9 TPCK L	9-A6,L	10-C2,R					
	K5 SQ NA 3 H	5-D5,L	7-B5,R					K8 EN FLD L	5-C4,R	7-C5,R	8-C4,L				PBCYC L	10-B6,L	<CE1>					
	K5 SQ NA 4 H	5-D5,L	7-A5,R					K8 NON PMI REF L	8-A7,R	8-B3,R	8-D7,L				PBLKM L	10-C6,L	<CP1>					
	K5 SQ NA 5 H	5-D5,L	7-C5,R					K8 NXM H	7-B3,R	8-B1,L	15-A6,R				PBSY L	10-B6,L	<CR1>					
B	K5 SQ NA 6 H	5-D5,L	7-C5,R					K9 NXM L	8-B1,L	8-D5,R				PBYT L	10-A6,L	<CS1>						
	K5 SQ NA 7 H	5-D5,L	7-C5,R					K9 PMI NXM H	8-B3,L					PMAPE L	10-D7,R	<DD1>						
	K5 SQ NA 8 H	5-D5,L	7-B5,R					K8 T0 H	5-A6,R	6-A5,R	7-C6,R	8-D1,L	11-C8,R		PRDSTB L	11-A3,R	10-A3,L	<CM1>				
	K5 SQ PBSY H	5-B3,L	11-D3,R	12-C2,R				K8 T20 H	6-A4,R	8-D1,L	8-D4,R	10-B4,R			PSBFUL L	10-D7,R	<CJ1>					
	K5 SQ PBSY L	5-B3,L	12-B2,R					K8 T20 L	8-C1,L	8-D3,R					PSSSEL L	10-D7,R	<CB1>					
	K5 SQ RPLY H	5-B5,L	10-C2,R					K8 T40 H	6-D4,R	8-C5,R	8-D1,L	8-D4,R			PUBMEM L	10-C6,L	<CD1>					
	K5 SQ T05 PBCYC H	5-B3,L	10-B7,R					K8 T40 L	8-C4,L	8-D3,R					PUBSYS L	9-D2,R	10-A6,L	<CF1>				
	K5 SQ TDDMR H	5-A5,L	10-C3,R					K8 T50 H	5-A3,R	8-D1,L					PUBTMO L	10-C6,L	<CV1>					
	K5 SQ TDSACK L	5-A5,L	11-A8,R	12-A7,R				K8 T70 H	6-B4,R	8-D1,L	8-D4,R				PWTSTB L	10-B6,L	<DB1>					
	K5 UPDT LRU L	5-D2,L	16-A3,R					K8 T70 L	8-C1,L	8-C5,R												
A	K6 SQ CK ITOD L	6-B3,L	11-A8,R					K8 T85 H	5-B3,R	8-D1,L	8-D3,R	8-D4,R										
	K6 SQ CNTU H	6-A3,L	8-C5,R	8-D4,R				K8 UB NXMK 1 L	8-A3,L	10-C7,R												
	K6 SQ DR ADR H	5-A3,L	6-A4,L					K9 BUS ACLO L	9-A3,L	17-D7,R	<DV2>											
	K6 SQ DR SEL H	6-C3,L	15-A2,R					K9 BUS BBSY L	9-A3,L	17-D5,R	<DS1>											
	K6 SQ EN ATOI H	6-D3,L	11-A5,R					K9 BUS BG4 OUT H	9-D5,L	17-A7,R	<DT2>											
	K6 SQ EN ATOI L	6-D2,L	11-A8,R					K9 BUS BG5 OUT H	9-D5,L	17-A7,R	<DR2>											
	K6 SQ EN DRTOI L	2-C5,R	6-C3,L	15-A2,R				K9 BUS BG6 OUT H	9-D5,L	17-A7,R	<DN2>											
	K6 SQ EN DTOI L	2-A5,R	2-C5,R	6-C3,L	11-A6,R	11-B8,R		K9 BUS BG7 OUT H	9-C5,L	17-A7,R	<DL2>											
	K6 SQ EN ITOA L	1-A3,R	6-D3,L	11-B5,R				K9 BUS C0 L	9-D3,L	17-D5,R	<EJ2>											
	K6 SQ EN ITOD H	6-D3,L	11-C6,R					K9 BUS C1 L	9-D3,L	17-D5,R	<EF2>											
K6 SQ EN RTOD H	6-D3,L	11-C6,R					K9 BUS DCLO L	9-A3,L	17-D7,L	<DU2>												
K6 SQ EN STRB L	6-C4,L	11-B3,R					K9 BUS INIT L	9-D3,L	<DJ2>													
K6 SQ GT IDAL H	6-C3,L	11-A5,R					K9 BUS INTR L	9-C3,L	17-D3,R	<FM1>												
K6 SQ HLD TBSY L	6-A3,L	9-A5,R	12-C4,R				K9 BUS MSYN L	9-D3,L	17-D5,R	<EF1>												
K6 SQ INC CA L	6-D3,L	16-A3,R					K9 BUS NPG OUT H	9-A3,L	17-A7,R	<CC1>												
K6 SQ MAP CS L	3-D8,R	6-A3,L					K9 BUS NPR L	9-B3,L	17-D1,R	<FJ1>												
K6 SQ MAP SEL H	6-D3,L	11-B6,R					K9 BUS PA L	9-C3,L	17-D3,R	<ES2>												
K6 SQ MSYN H	6-B4,L	8-A5,R	9-D4,R	11-D3,R			K9 BUS PB L	9-C3,L	17-D3,R	<ET2>												
K6 SQ PRDSTB H	6-A4,L	10-A4,R					K9 BUS SACK L	9-B3,L	17-D1,R	<FN1>												
K6 SQ PWTSTB H	6-B3,L	10-B7,R					K9 BUS SSYN L	9-B3,L	17-D1,R	<FC1>												
K6 SQ SET CCS H	6-A4,L	10-B4,R					K9 FP REBOOT L	9-93,L	17-D1,R	<FH2>												
K6 SQ T0 PBCYC H	5-B3,R	6-B4,L	10-B7,R				K9 NPG L	9-A5,L	12-C6,R													
K6 SQ T0 PBLKM H	6-D4,L	10-C7,R					K9 RACLO H	9-B1,L	9-C8,R													
K6 SQ T40 PBLKM H	6-D3,L	10-C7,R					K9 RBBSY H	9-A3,L	12-A5,R	12-D4,R												
K6 SQ WE CA L	6-A4,L	16-A3,R	16-C8,R				K9 RBBSY L	9-A1,L	12-A4,R													
K6 SQ WT CYC H	6-D3,L	10-D3,R	11-C2,R				K9 RC0 H	9-D3,L	11-B2,R	15-D6,R												
K7 CK DTOI H	2-A5,R	7-D3,L	11-D2,R				K9 RCI H	9-D3,L	10-D3,R	14-B5,R	15-D6,R											
K7 CK SSYN H	7-D3,L	9-B4,R					K9 RDCLO H	9-A3,L	11-D8,R	12-AB,R	12-B6,R	12-B8,R	12-C8,R									
K7 LD ADR L	3-A3,R	7-D4,L	11-C8,R	13-D8,R	16-A3,R																	
K7 LD TAG L	7-D4,L	16-A3,R																				
K7 LD UBCTRL L	7-D4,L	15-C6,R																				

REVISIONS	
CHK	CHANGE NO. REV

digital	DRN. I. STANLEY	DATE 10-22-84	ENG.	DATE 10-22-84	TITLE: LBA MODULE
	CHK'D.	DATE	BOARD LOCATION: CXE15	SHEET 20 OF 21	NUMBER M8191-0-1
FIRST USED ON OPTION MODEL: KDJ11-B		NEXT HIGHER ASSEMBLY: B-DD-M8191-0		SIZE CODE K CS	REV. A

8		7		6		5		4		3		2		1		
K5 CLR STRI L	5-D2,L	8-A3,R	8-D7,R	K7 SQ CLR CCS L	7-D6,L	10-A3,R	K9 RINIT H	8-A5,R	9-D1,L	16-B3,R						
K5 LD DCSR L	5-C3,L	15-A8,R	15-B6,R 15-B8,R 15-C8,R 15-D8,R	K7 SQ EN UADR L	7-D6,L	11-B8,R	K9 RINIT L	5-D3,R	9-D1,L	9-D7,R 11-B6,R 15-A4,R 15-B8,R						
K5 LD DDR L	5-D2,L	15-D8,R	K7 SQ EN UBCTRL L	2-C5,R	3-B6,R	7-D6,L 11-B8,R 15-C6,R	K9 RINTR H	15-C8,R	7-A5,R	8-A7,R	8-D8,R	9-B5,R	9-C3,L	12-A5,R		
K5 LD KNCR L	5-C3,L	15-A5,R	15-C4,R 15-C5,R	K7 SQ LAT CTRL H	7-D6,L	11-B3,R	K9 RMSYN H	8-B7,R	9-B5,R	9-D3,L	11-B3,R	11-B6,R	15-D6,R			
K5 SET DNPR L	5-C3,L	15-B8,R	K7 SQ OE L	5-A6,R	6-35,R	7-C6,L	K9 RNR H	9-B3,L	10-C3,R	K9 RPA H	9-C3,L					
K5 SET UNXH L	5-D2,L	8-B3,R	K7 SQ ROM ADR 0 H	5-D7,R	6-C7,R	7-B2,L 7-C8,R	K9 RPA L	9-C1,L	11-D3,R	K9 RPB H	9-C3,L	11-D3,R	15-D6,R			
K5 SQ DR ADR H	5-D3,L	11-A6,R	K7 SQ ROM ADR 1 H	5-D7,R	6-D7,R	7-C2,L 7-C8,R	K9 RSACK H	9-B3,L	12-A2,R 12-B8,R	K9 RSACK L	9-B1,L	12-A2,R	12-B7,R			
K5 SQ EN BTOI H	5-A5,L	11-B8,R	K7 SQ ROM ADR 2 H	5-D7,R	6-D7,R	7-B4,L 7-C8,R	K9 RSYN H	8-A5,R	8-C7,R	9-B3,L	11-D8,R	15-D6,R				
K5 SQ HLD CYC L	5-A5,L	8-B6,R	8-D6,R	K7 SQ ROM ADR 3 H	5-D7,R	6-D7,R	7-C4,L 7-D8,R	K9 TACLO H	9-A4,R	9-C7,L						
K5 SQ MAP WE H	2-B7,R	5-B5,L	11-B6,R 11-C4,R 11-C7,R	K7 SQ ROM ADR 4 H	5-D7,R	6-D7,R	7-A4,L 7-D8,R	K9 TDCL0 H	9-A4,R	9-C5,L						
K5 SQ MUXB SEL 0 H	5-B5,L	7-B3,R	K7 SQ ROM ADR 5 H	5-D7,R	6-D7,R	7-C4,L 7-D8,R	K9 TPOK L	9-A6,L	10-C2,R	PBCYC L	10-B6,L	<CE1>				
K5 SQ MUXB SEL 1 H	5-B5,L	7-B3,R	K7 SQ ROM ADR 6 H	5-D7,R	6-D7,R	7-C4,L 7-D8,R	PBLKM L	10-C6,L	<CP1>	PBSY L	10-B6,L	<CR1>				
K5 SQ MUXB SEL 2 H	5-B5,L	7-B3,R	K7 SQ ROM ADR 7 H	5-D7,R	6-D7,R	7-C4,L 7-D8,R	PBYT L	10-A6,L	<DC1>	PMAPE L	10-D7,R	<DD1>				
K5 SQ NA 0 H	5-C5,L	7-B3,R	K7 SQ ROM ADR 8 H	5-D7,R	6-D7,R	7-C4,L 7-D8,R	PRDSTB L	11-A3,R	10-A3,L	<CH1>	PSBFUL L	10-D7,R	<CJ1>			
K5 SQ NA 1 H	5-D5,L	7-C3,R	K7 SQ TUDAT L	7-D6,L	11-C4,R	K7 !IPDT DCHB L	7-D4,L	16-A3,R	PUBMEM L	10-C6,L	<CD1>	PUBSYS L	9-D2,R	10-A6,L	<CF1>	
K5 SQ NA 2 H	5-D5,L	7-D3,R	K8 DL BSY L	8-D3,L	K8 EN FLD L	5-C4,R	7-C5,R	8-C4,L	PUBTMO L	10-C6,L	<CV1>	PWTSTB L	10-B6,L	<DB1>		
K5 SQ NA 3 H	5-D5,L	7-B5,R	K8 EN FLD L	5-C4,R	7-C5,R	8-C4,L	K8 NON PMI REF L	8-A7,R	8-B3,R	8-D7,L						
K5 SQ NA 4 H	5-D5,L	7-A5,R	K8 NXH H	7-B3,R	8-B1,L	15-A6,R	K8 NXH L	8-B1,L	8-D5,R							
K5 SQ NA 5 H	5-D5,L	7-C5,R	K8 NXH H	8-B1,L	8-D5,R											
K5 SQ NA 6 H	5-D5,L	7-C5,R	K8 PMI NXH H	8-B3,L												
K5 SQ NA 7 H	5-D5,L	7-C5,R	K8 T0 H	5-A6,R	6-A5,R	7-C6,R	8-D1,L	11-C8,R								
K5 SQ NA 8 H	5-D5,L	7-B5,R	K8 T20 H	6-A4,R	9-D1,L	8-D4,R	10-B4,R									
K5 SQ PBSY H	5-B3,L	11-D3,R	12-C2,R	K8 T20 L	8-C1,L	8-D3,R										
K5 SQ PBSY L	5-B3,L	12-B2,R	K8 T40 H	6-D4,R	8-C5,R	8-D1,L	8-D4,R									
K5 SQ RPLY H	5-B5,L	10-C2,R	K8 T40 L	8-C4,L	8-D3,R											
K5 SQ T85 PBCYC H	5-B3,L	10-B7,R	K8 T50 H	5-A3,R	8-D1,L											
K5 SQ TDDMR H	5-A5,L	10-C3,R	K8 T70 H	6-B4,R	8-D1,L	8-D4,R										
K5 SQ TDSACK L	5-A5,L	11-A8,R	12-A7,R	K8 T70 L	8-C1,L	8-C5,R										
K5 UPDT LRU L	5-D2,L	16-A3,R	K8 T85 H	5-B3,R	8-D1,L	8-D3,R	8-D4,R									
K6 SQ CK ITOD L	6-B3,L	11-A8,R	K8 UB NXH L	8-A3,L	10-C7,R											
K6 SQ CNTU H	6-A3,L	8-C5,R	8-D4,R	K9 BUS ACLO L	9-A3,L	17-D7,R	<DV2>									
K6 SQ DR ADR H	5-A3,R	6-A4,L	K9 BUS BBSY L	9-A3,L	17-D5,R	<DS1>										
K6 SQ DR SEL H	6-C3,L	15-A2,R	K9 BUS B64 OUT H	9-D5,L	17-A7,R	<DR2>										
K6 SQ EN ATOI H	6-D3,L	11-A5,R	K9 BUS B65 OUT H	9-D5,L	17-A7,R	<DR2>										
K6 SQ EN ATOI L	6-D2,L	11-A8,R	K9 BUS B66 OUT H	9-D5,L	17-A7,R	<DN2>										
K6 SQ EN DRTOI L	2-C5,R	6-C3,L	15-A2,R	K9 BUS B67 OUT H	9-C5,L	17-A7,R	<DL2>									
K6 SQ EN DTOI L	2-A5,R	2-C5,R	6-C3,L	11-A6,R	11-B8,R	K9 BUS C0 L	9-D3,L	17-D5,R	<EJ2>							
K6 SQ EN ITOA L	1-A3,R	6-D3,L	11-B5,R	K9 BUS C1 L	9-D3,L	17-D5,R	<EF2>									
K6 SQ EN ITOD H	6-D3,L	11-C6,R	K9 BUS DCL0 L	9-A3,L	17-D7,L	<DU2>										
K6 SQ EN RTOD H	6-D3,L	11-C6,R	K9 BUS INIT L	9-D3,L	<DJ2>											
K6 SQ EN STRB L	6-C4,L	11-B3,R	K9 BUS INTR L	9-C3,L	17-D3,R	<FM1>										
K6 SQ GT IDAL H	6-C3,L	11-A5,R	K9 BUS MSYN L	9-D3,L	17-D5,R	<EF1>										
K6 SQ HLD TBSY L	6-A3,L	9-A5,R	12-C4,R	K9 BUS NPG OUT H	9-A3,L	17-A7,R	<CC1>									
K6 SQ INC CA L	6-D3,L	16-A3,R	K9 BUS NPR L	9-B3,L	17-D1,R	<FJ1>										
K6 SQ MAP CS L	3-D8,R	6-A3,L	K9 BUS PA L	9-C3,L	17-D3,R	<ES2>										
K6 SQ MAP SEL H	6-D3,L	11-B6,R	K9 BUS PB L	9-C3,L	17-D3,R	<ET2>										
K6 SQ MSYN H	6-B4,L	8-A5,R	9-D4,R	11-D3,R	K9 BUS SACK L	9-B3,L	17-D1,R	<FN1>								
K6 SQ PRDSTB H	6-A4,L	10-A4,R	K9 BUS S5YN L	9-B3,L	17-D1,R	<FC1>										
K6 SQ PHTSTB H	6-B3,L	10-B7,R	K9 FP REBOOT L	9-B3,L	17-D1,R	<FH2>										
K6 SQ SET CCS H	6-A4,L	10-B4,R	K9 NPG L	9-A5,L	12-C6,R											
K6 SQ T8 PBCYC H	5-B3,R	6-B4,L	10-B7,R	K9 RACLO H	9-B1,L	9-C8,R										
K6 SQ T8 PBLKM H	6-D4,L	10-C7,R	K9 RBBST H	9-A3,L	12-A5,R	12-D4,R										
K6 SQ T40 PBLKM H	6-D3,L	10-C7,R	K9 RBBST L	9-A1,L	12-A4,R											
K6 SQ WE CA L	6-A4,L	16-A3,R	16-C8,R	K9 RC0 H	9-D3,L	11-B2,R	15-D6,R									
K6 SQ WT CYC H	6-D3,L	10-D3,R	11-C2,R	K9 RC1 H	9-D3,L	10-D3,R	14-B5,R	15-D6,R								
K7 CK DTOI H	2-A5,R	7-D3,L	11-D2,R	K9 RDCL0 H	9-A3,L	11-D8,R	12-A8,R	12-B6,R	12-B8,R	12-C8,R						
K7 CK S5YN H	7-D3,L	9-B4,R														
K7 LD ADR L	3-A3,R	7-D4,L	11-C8,R	13-D8,R	16-A3,R											
K7 LD TAG L	7-D4,L	16-A3,R														
K7 LD UBCTRL L	7-D4,L	15-C6,R														

REVISIONS	
CHK	CHANGE NO. REV

digital	DRN. T. STANLEY	DATE 21-SEP-84	ENG. T. TEHRANIAN	DATE 21-SEP-84	TITLE: LIBA MODULE
	CHK'D.	DATE	BOARD LOCATION: CKE15	SHEET 21 OF 21	REV. A
FIRST USED ON OPTION/MODEL: KDJ11-B		NEXT HIGHER ASSEMBLY: B-DD-M8191-0		SIZE CODE NUMBER	REV.
				K CS M8191-0-1	A