

"THE MATERIAL HEREIN IS FOR INFORMATION PURPOSES ONLY AND IS SUBJECT TO CHANGE WITHOUT NOTICE. DIGITAL EQUIPMENT CORPORATION ASSUMES NO RESPONSIBILITY FOR ANY ERRORS WHICH MAY APPEAR HEREIN."

FIELD MAINTENANCE PRINT SET

"THIS DRAWING AND SPECIFICATIONS, HEREIN, ARE THE PROPERTY OF DIGITAL EQUIPMENT CORPORATION AND SHALL NOT BE REPRODUCED OR COPIED OR USED IN WHOLE OR IN PART AS THE BASIS FOR THE MANUFACTURE OR SALE OF ITEMS WITHOUT WRITTEN PERMISSION. COPYRIGHT © 1984 DIGITAL EQUIPMENT CORPORATION."

TABLE OF CONTENTS

B-TC-KDJ11-A-1	KDJ11 OPTION (TC)
K-PL-KDJ11-A-DBP	KDJ11 OPTION (PC)
B-DD-KDJ11-A	KDJ11 OPTION (DD ONLY)
B-DD-M8192-0	KDJ11-A PROCESSOR (DD ONLY)
K-PL-M8192-0-DBP	KDJ11-A PROCESSOR (PL)
D-UA-M8192-0-0	KDJ11-A PROCESSOR
K-CS-M8192-0-K	KDJ11-A PROCESSOR

UNIT VARIATIONS COVERED BY THIS PRINT SET
KDJ11-AA

KDJ11-A
Field Maintenance
Print Set

Digital Equipment
Corporation

MP-Ø189Ø-Ø1

REVISIONS	REV.	A	USED ON OPTION/MODEL	DRN.	D. HEALY	DATE	04JAN84	TITLE:	KDJ11-A OPTION	digital								
	CHG. NO.	INITIAL			CHK#	D. HEALY	DATE				04JAN84							
	DATE				PROJ. ENG.	H. DROBNER	DATE				10JAN 84							
	SHEET I OF 1				FIELD SERV.	G. MARCHER	DATE		SIZE		B	CODE	TC	NUMBER	KDJ11-A-1	REV.	A	
					DIST.													


EN-01124.16.0675(127)

"THE MATERIAL HEREIN IS FOR INFORMATION PURPOSES ONLY AND IS SUBJECT TO CHANGE WITHOUT NOTICE. DIGITAL EQUIPMENT CORPORATION ASSUMES NO RESPONSIBILITY FOR ANY ERRORS WHICH MAY APPEAR HEREIN."

DRAWING DIRECTORY

"THIS DRAWING AND SPECIFICATIONS, HEREIN, ARE THE PROPERTY OF DIGITAL EQUIPMENT CORPORATION AND SHALL NOT BE REPRODUCED OR COPIED OR USED IN WHOLE OR IN PART AS THE BASIS FOR THE MANUFACTURE OR SALE OF ITEMS WITHOUT WRITTEN PERMISSION. COPYRIGHT © 1984 DIGITAL EQUIPMENT CORPORATION."

UNIT VARIATIONS	
VAR	TITLE
KDJ11-A	(M8192) DUAL HEIGHT W/DCJ11-AC (LSI 11/73)

REVISIONS	REV.	A	USED ON OPTION/MODEL	DRN.	D. HEALY	DATE	4JAN84	TITLE						
	CHANGE NO.	INITIAL		CHK'D.	D. HEALY	DATE	4JAN84					KDJ11-A OPTION		
	CHK					PROJ. ENG.	H. DROBNER		DATE	16 JAN 84	SIZE	CODE	NUMBER	REV
						PROD.	J. VEGA		DATE	16 JAN 84	B	DD	KDJ11-A	A
			SHEET 1 OF 2			DIST.								

AUTOMATED BY PRTLST.4Q(50)

P A R T S L I S T

SHEET A1 OF A1

LINE	ITEM	TOP DOCUMENT	PART NUMBER	MIN REV	DESCRIPTION	QTY PER VARIATION
1	1	D-UA-M8192-0-0	M8192-00		DUAL HEIGHT CPU BRD (KDJ11-AA).Q	1

REVISION HISTORY		BASIC PART NO: KDJ11		DRN:	DATE:	D I G I T A L		
ENG:	ECO NUMBER	REV	SECTION A OF A	D. HEALY	04-JAN-84	TITLE PARTS LIST		
	INITIAL	A	SECTION VARIATION INDEX [A]AA	D. HEALY	05-JAN-84	KDJ11-A OPTION		
			[B]	DES. ENG: P. RUBINFELD	05-JAN-84	DOCUMENT NUMBER		
			[C]			SIZE: CODE: NUMBER	REV	
			[D]	RESP. ENG.: H. DROBNER	05-JAN-84	K PL	KDJ11-A-DBP A	
			[E]	MFG. ENG.: J. VEGA	05-JAN-84	RELEASE DATE: 20-JAN-84		
			[F]	ASSEMBLY NUMBER:	TOP DOCUMENT NUMBER: #8-DD-KDJ11-A	FILE NAME: Z8849A.PLS	EDIT 3	

"THIS DRAWING AND THE SPECIFICATIONS CONTAINED HEREIN ARE CONFIDENTIAL AND PROPRIETARY. THEY ARE THE PROPERTY OF DIGITAL EQUIPMENT CORPORATION AND SHALL NOT BE REPRODUCED OR COPIED OR USED IN WHOLE OR IN PART AS THE BASIS FOR THE MANUFACTURE OR SALE OF ITEMS WITHOUT WRITTEN PERMISSION. THIS IS AN UNPUBLISHED WORK PROTECTED UNDER THE FEDERAL COPYRIGHT LAWS."

DRAWING NO.	NO OF SHTS	PART NO.	DESCRIPTION	REVISIONS															
				A1	B1														
		M8192-00	KD J11-A PROCESSOR																
K-CS-M8192-0-K	9		KD J11-A PROCESSOR	A	B														
D-UA-M8192-0-0	1		KD J11-A PROCESSOR	A	B														
K-PL-M8192-0-DBP	2		KD J11-A PROCESSOR	A	B														
K-PC-M8192-0-DBI			PC DESIGN DATA BASE	A	A														
		5015394-01	ETCHED CIRCUIT BOARD	C1	C1														
B-DD-5015394-C-0			DRAWING DIRECTORY	A	A														
K-CS-M8192-0-DBS			SUDS DATA BASE	A	B														

NOTES:

REVISION HISTORY		DATE	ECO NO.	REV.	A	B
		11-83	INIT			
		4-84	ML001			

THIS DRAWING AND THE SPECIFICATIONS CONTAINED HEREIN ARE CONFIDENTIAL AND PROPRIETARY. THEY ARE THE PROPERTY OF DIGITAL EQUIPMENT CORPORATION AND SHALL NOT BE REPRODUCED OR COPIED OR USED IN WHOLE OR IN PART AS THE BASIS FOR THE MANUFACTURE OR SALE OF ITEMS WITHOUT WRITTEN PERMISSION. THIS IS AN UNPUBLISHED WORK PROTECTED UNDER THE FEDERAL COPYRIGHT LAWS.

1983



DRN. P. LENNON	DATE 7-NOV-83	TITLE KD J11-A PROCESSOR
CHK'D P. LENNON	DATE 7-NOV-83	
DES. ENG. P. RUBINFELD	DATE 7-NOV-83	DOCUMENT NUMBER
RESP. ENG. P. RUBINFELD	DATE 7-NOV-83	SIZE CODE NUMBER B DD M8192-0-0
MFG. ENG. J. VEGA	DATE 7-NOV-83	REV 3 SHEET 1 OF 1

LINE	ITEM	DOCUMENT NUMBER	PART NUMBER	DESCRIPTION	QTY PER VARIATION	REFERENCE DESIGNATOR
					00	
1	1	D-MD-5015394-0-0	5015394-01	ETCH CIRCUIT BOARD	1	
2	2		1915305-00	AM 2908 TRANSCEIVER,BUS,LATCH	6	E51,E32,E27,E23,E38,E42
3	3		1919015-00	DC 021 BUS TRANSCEIVER,20PI	3	E1,E12,E7
4	4		1913671-00	74S374 FF-D,OCTAL,TRI STATE	2	E4,E15
5	5		1910532-00	74S00 NAND GATE-QUAD 2IN	1	E3
6	6		1912801-00	LS02 NOR-GATE-QUAD 2IN	1	E5
7	7		1912824-00	LS74 FF-D DUAL,EDGE TRIGG	2	E22,E41
8	8		1912805-00	LS08 AND GATE-QUAD 2IN,PO	1	E31
9	9		1913414-00	LS14 INVERTER GATE-HEX SC	1	E17
10	10		1912837-01	LS123 ONE SHOT,DUAL,RETRIG	1	E55
11	11		1616653-01	DELAY= 100NS,10TAPS WITH TTLBU	1	E6
12	12		1912813-00	LS27 NOR GATE-TRIPLE 3IN	1	E11
13	13		1216116-00	SKT,IC 40PIN DIP GOLD CARR	1	XE35
14	14		1221158-01	SKT,IC 68PIN CHIP CARRIER	2	XE13,XE34
15	15		1920854-01	GATE ARRAY,CDP PROG.	1	E34
16	16		1920403-01	8A1664 GATE ARRAY,JSS PROG.	1	E13
17	17		1216116-01	SKT,IC 60PIN DIP	1	XE36
18	18		5719400-04	HYBRID,ASSY W/2 CHIPS 15MHZ	1	E36
19	19		1921009-01	74F241 BUFFER/LINE DRIVER,N	1	E39
20	20		1921010-01	74F373 OCTAL TRANSPARENT LA	5	E20,E54,E50,E30,E25
21	21		1921008-01	74F240 BUFFER/LINE DRIVER,I	2	E9,E45
22	22		1911676-00	74S139 DECODER-DUAL TWO-INP	1	E46
23	23		1912860-00	LS259 LATCH 8BIT	1	E26
24	24		23044K4-00	K4-01 E-18-16RL6LPC 440K4	1	E18
25	25		1920442-01	74F374 FF-D,OCTAL,TRI-STATE	2	E47,E33
26	26		1911573-00	74S280 PARITY GEN/CHKR,9BIT	2	E10,E40
27	27		1919189-00	COMPARATOR,8-BIT BIP	2	E28,E2
28	28		2117498-02	6147P RAM,4KX1,STATIC,55NS	2	E24,E29
29	29		2119250-00	8168 4KX4 STATIC RAM 55NS	7	E19,E44,E53,E49,E43,E48,E52
30	30		1913340-00	74S32 OR GATE-QUAD 2IN	1	E16

2611-83

REVISION HISTORY		BASIC PART NO: M8192		DRN: M. MCDONOUGH	DATE: 22-MAR-83	D I G I T A L			
ENG:	ECO NUMBER	REV	SECTION A OF A	CHK'D: DICK BARRIERE	DATE: 08-NOV-83	TITLE PARTS LIST			
	INITIAL	A	SECTION VARIATION INDEX	DES.ENG: P. RUBINFELD	DATE: 22-MAR-83	KDJ11-A PROCESSOR			
			[A] 00	RESP.ENG.: H. DROBNER	DATE: 22-MAR-83	DOCUMENT NUMBER			
			[B]	MFG.ENG.: JORGE VEGA	DATE: 26-OCT-83	SIZE: K	CODE: PL	NUMBER: M8192-0-DBP	REV: A
			[C]	ASSEMBLY NUMBER: D-UA-M8192-0-0	TOP DOCUMENT NUMBER: B-DD-M8192-0-0	FILE NAME: Z6708A.PLS		EDIT #: 5	
			[D]	THIS DRAWING AND SPECIFICATIONS HEREIN, ARE THE PROPERTY OF DIGITAL EQUIPMENT CORPORATION AND SHALL NOT BE REPRODUCED OR COPIED OR USED IN WHOLE OR IN PART AS THE BASIS FOR THE MANUFACTURE OR SALE OF ITEMS WITHOUT WRITTEN PERMISSION. COPYRIGHT (C) 1983. DIGITAL EQUIPMENT CORPORATION					
			[E]						
			[F]						
			[H]						
			[J]						
			[K]						
			[L]						
			[M]						
			[N]						

THIS DRAWING AND SPECIFICATIONS HEREIN, ARE THE PROPERTY OF DIGITAL EQUIPMENT CORPORATION AND SHALL NOT BE REPRODUCED OR COPIED OR USED IN WHOLE OR IN PART AS THE BASIS FOR THE MANUFACTURE OR SALE OF ITEMS WITHOUT WRITTEN PERMISSION. COPYRIGHT (C) 1983. DIGITAL EQUIPMENT CORPORATION

LINE	ITEM	DOCUMENT NUMBER	PART NUMBER	DESCRIPTION	QTY PER VARIATION	REFERENCE DESIGNATOR
					00	
31	31		1912388-00	74S02 NOR GATE-QUAD 2IN,PO	1	E8
32	32		1912096-00	DEC 74S86 XOR GATE,QUAD 2IN	1	E21
33	33		1914085-00	74S260 NOR GATE-DUAL,POS	1	E14
34	34		1316254-01	R NETWORK 7-4.7K 2.0% 8PIN	2	Z1,Z2
35	35		1318110-00	R NETWORK 11-330 11-680 13PIN	4	Z3,Z4,Z5,Z6
36	36		1309595-00	1.0 M .25 W 5.0% CF	1	R1
37	37		1302177-00	47.0 K .25 W 5.0% CF	2	R2,R5
38	38		1302466-00	100.0 K .25 W 5.0% CF	1	R3
39	39		1319471-47	14.0 2.0 W 2.0% M.OXIDE	1	R4
40	40		1300365-00	1.0 K .25 W 5.0% CF	1	R7
41	41		1300316-00	470.0 .25 W 5.0% CF	1	R8
42	42		1305325-00	8.25 K .25 W 1.0% RN55D-F10	1	R9
43	43	SEE NOTE	1120964-01	LED ASSY 4 RED 5V 8MA	1	D1,D2,D3,D4
44	44		1100114-00	PIV= 25 IO=135 MA	1	D5
45	45		1000014-00	68.0 MMF 100V 5%200PPM MICA	2	C1,C2
46	46		1013398-00	750.0 MMF 100V 5%200PPM MICA	2	C3,C5
47	47		1000076-00	39 MFD 10V 10% S.TANT	1	C4
48	48		1004812-00	15 MFD 20V 10% S.TANT	2	C8,C9
49	49		1014265-02	.33 MFD 50V +80-20% CER	27	C10-C24,C26-C34,C37-C39
50	50		1215341-08	PCB HEADER 18PIN(2X09).100CC STR	18	M1-M18
51	51		1218783-00	JUMPER 02POS(1X02).100CC	9	W1-W9
52	52		1809880-10	XTAL 15.206 MHZ	1	Y1
53	53		1213543-01	HANDLE,UNIBUS MODULE,MAGENTA	1	
54	54		1010279-00	.47 MFD 25V 20% CER	2	C7,C6
55	55		1912799-00	LS00 NAND-GATE-QUAD 2IN,P	1	E37
56	56		1320602-42	15.0 2.0 W 2.0% M.OXIDE	1	R6
57	57		1012784-00	.047 MFD 50V +80-20% CER	2	C35,C36

58 NOTE: 1-D1,D2,D3,D4 ARE ALL PART OF SAME ASSEMBLY.

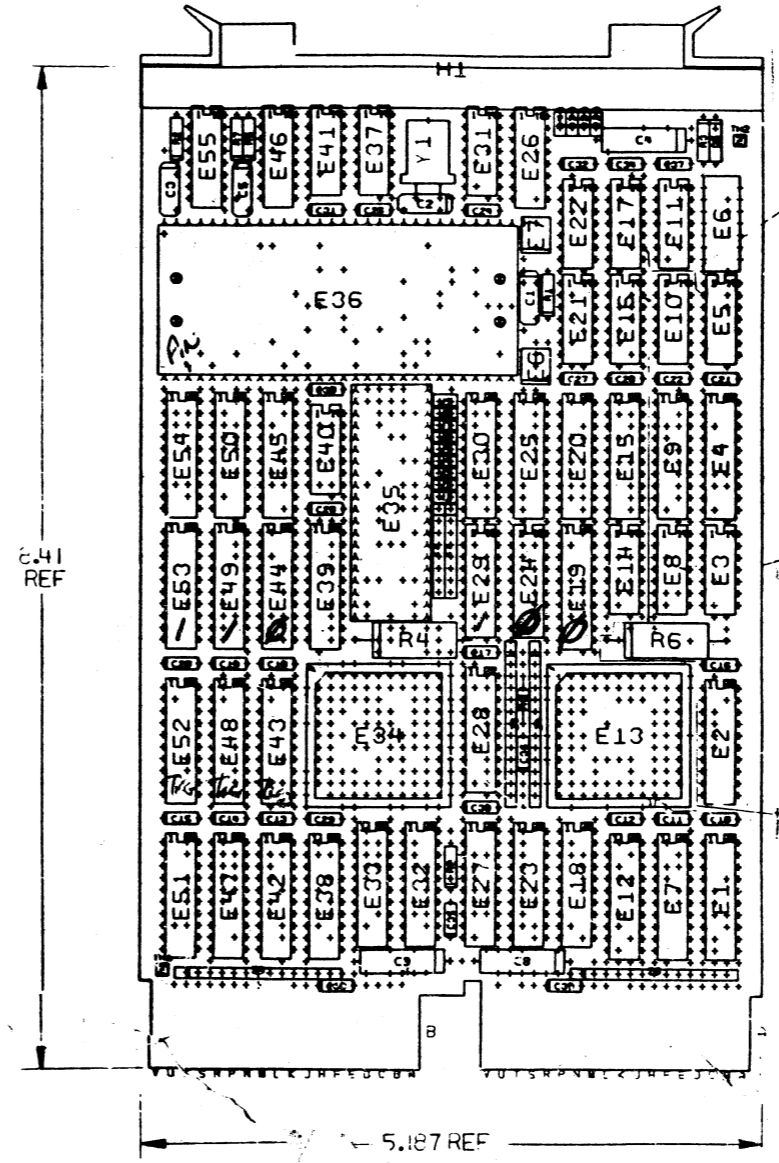
D	I	G	I	T	A	L	TITLE	KDJ11-A PROCESSOR	SECTION A OF A	SIZE	CODE	DOCUMENT NUMBER	REV
										K	PL	M8192-0-DBP	A

THIS DRAWING AND SPECIFICATIONS, HEREIN, ARE THE PROPERTY OF DIGITAL EQUIPMENT CORPORATION AND SHALL NOT BE REPRODUCED OR COPIED IN WHOLE OR IN PART FOR ANY PURPOSES WITHOUT THE WRITTEN PERMISSION OF DIGITAL EQUIPMENT CORPORATION. © 1983

COMPONENT SIDE VIEW

REWORK INSTRUCTION

ECO M6192-N1001
 WIRE ADD SIDE ONE AS SHOWN
 1-- FROM E17-9 TO E5-2
 1-- FROM E16-13 THRUPTH TO E13-41 ON SIDE 2



NOTES

STEP	Y AXIS	STEP	TIMES
REPEAT	+ X AXIS	REP	TIMES

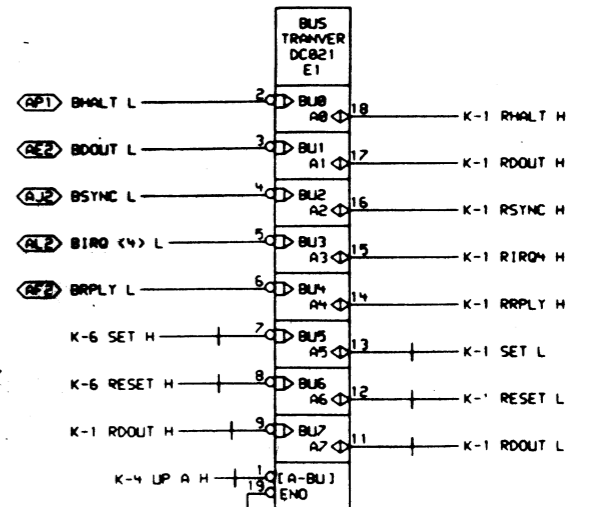
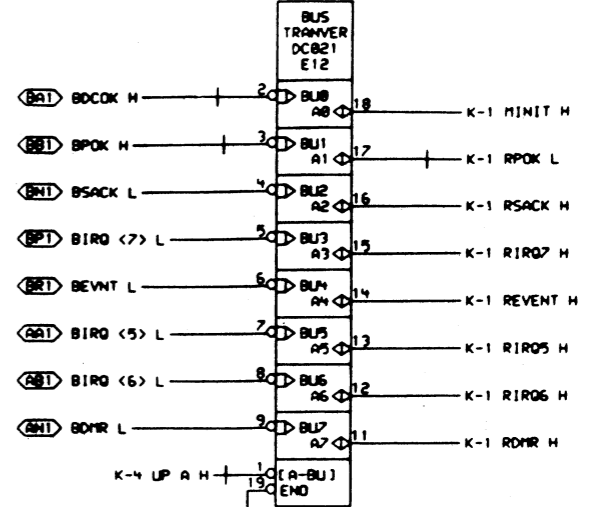
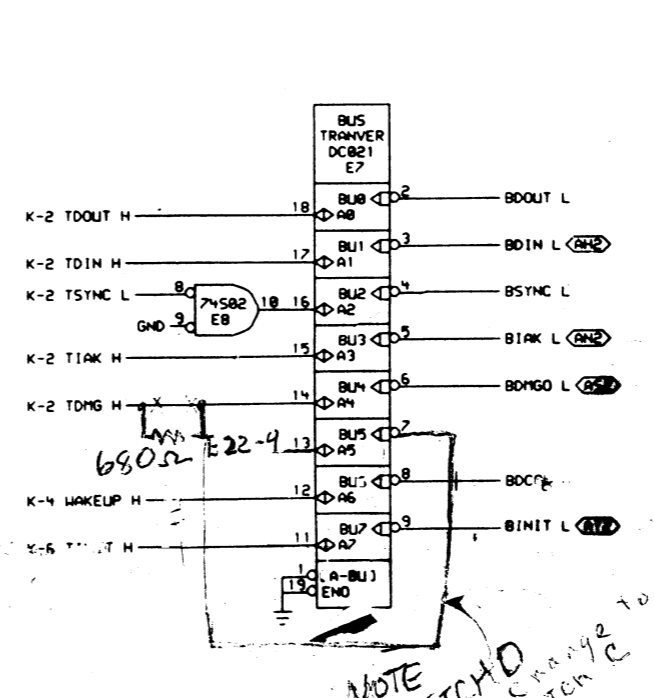
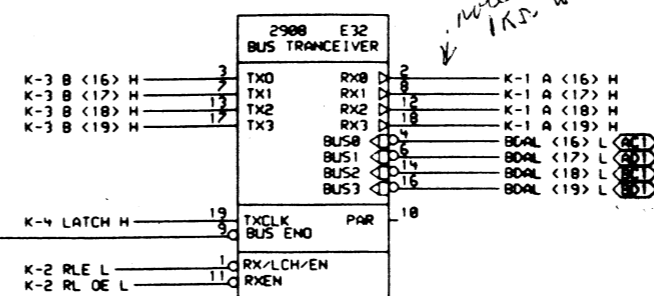
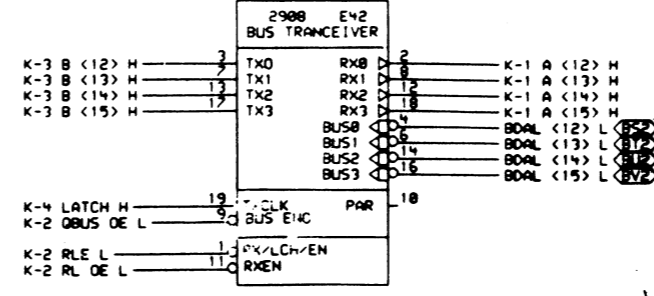
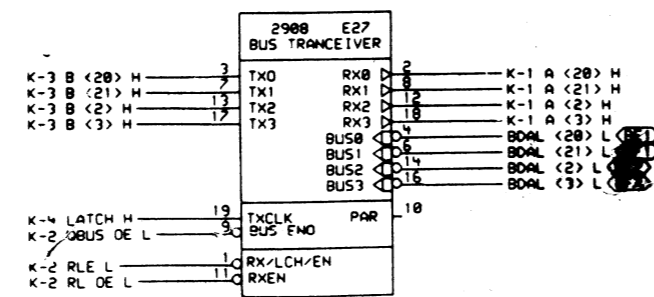
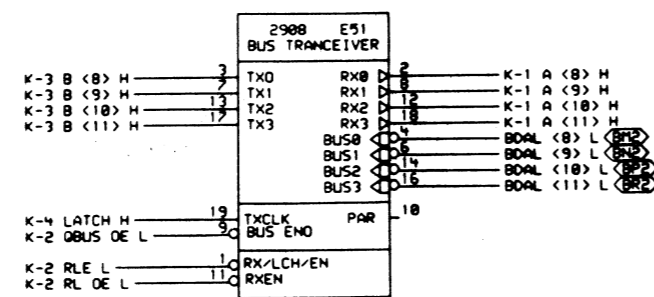
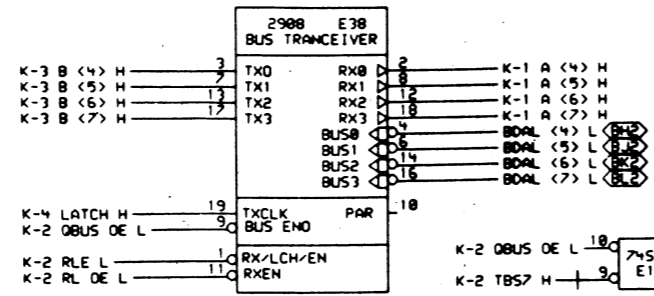
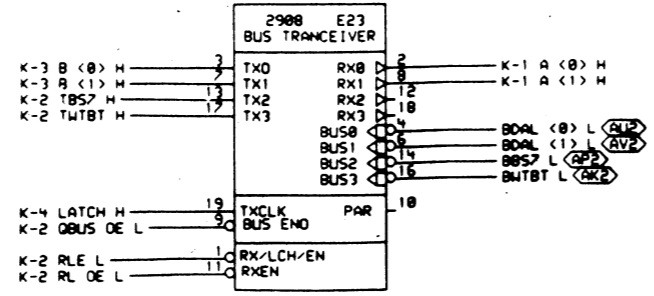
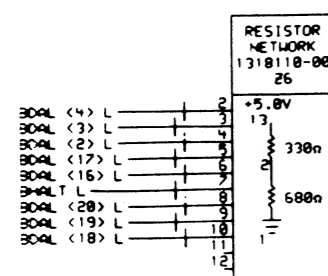
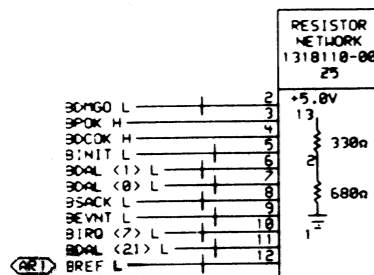
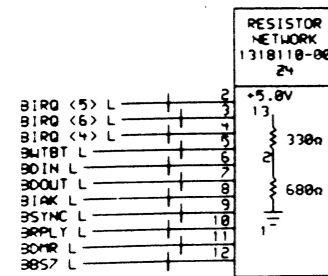
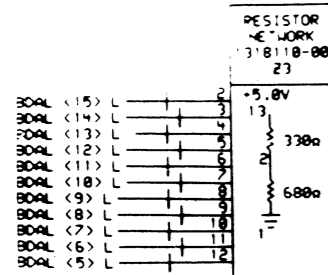
CHANGE NO	REV
1	1
2	2
3	3

ETCH REV. C1

SIGNATURES	DATE
DRN. 2	
CHK D.	
MECH. ENG.	
PROJ. ENG.	
PROJ. ENG.	
SCALE 1:1	
SHT. 1 OF 1	
NEXT HIGHER ASSY. B-22 MPT 2	

digital	
TITLE	ADJII A
PROCESSOR	
SIZE CODE	NUMBER 0
0 CA M6192-0	REV B

1 MS# 822100

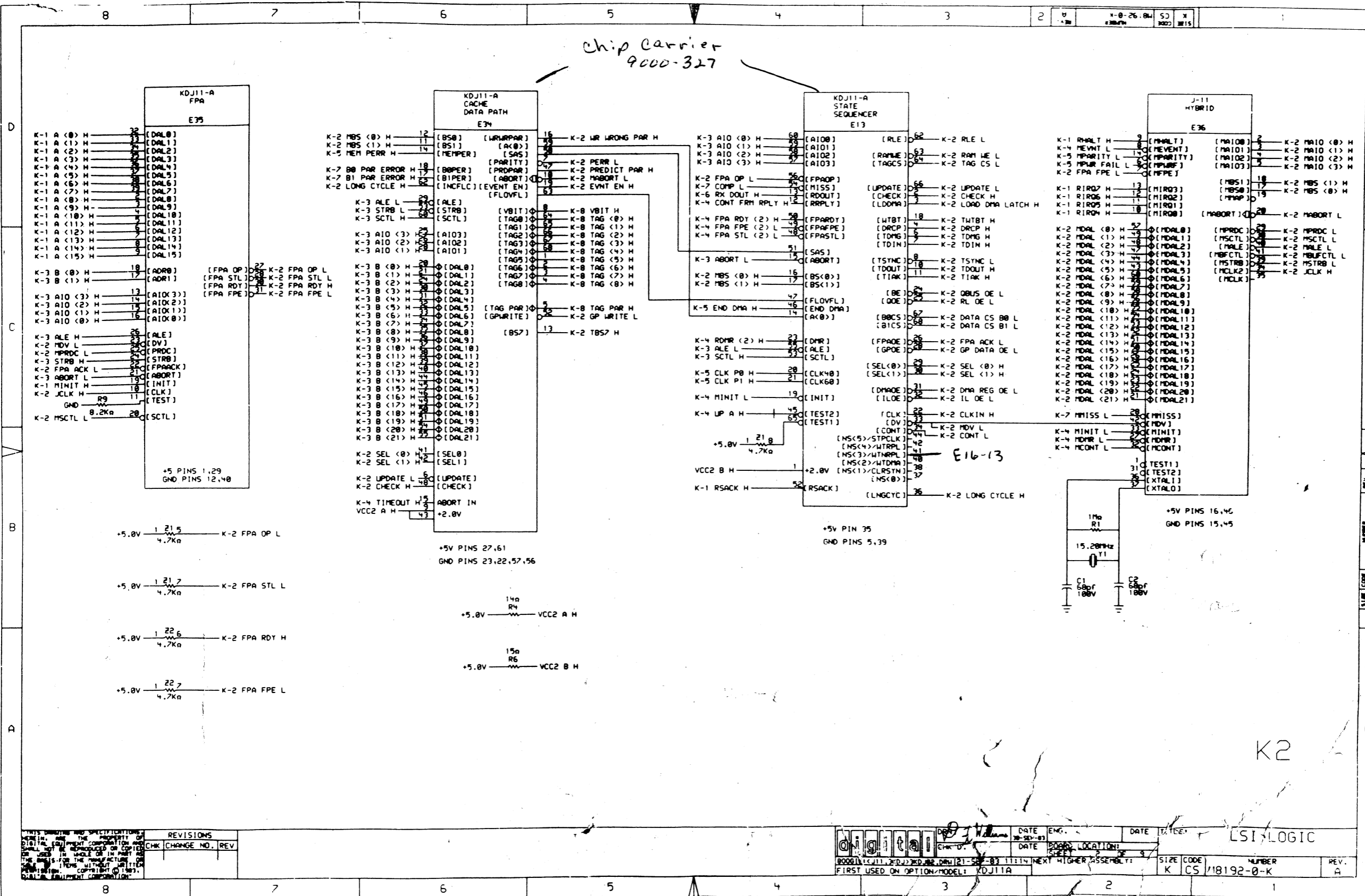


REV.	DATE	DESCRIPTION
1		

REV.	DATE	DESCRIPTION
1		

digit@	DATE: 28-SEP-81	ENG.:	DATE:	TITLE: Q-BUS INTERFACE
CHK'D.	DATE:	BOARD LOCATION:	SHEET: 9	
BOOGIE: C11, 3K2, 2K1, 1K1, DR1	101-SEP-83	12:07	NEXT HIGHER ASSEMBLY:	SIZE CODE: K CS
FIRST USED ON OPTIC MODEL: KDJ11A				NUMBER: M8192-0-K
				REV. A

Chip Carrier
9000-327



Handwritten notes: "DS-100" and "D-100".

Handwritten note: "E16-13".

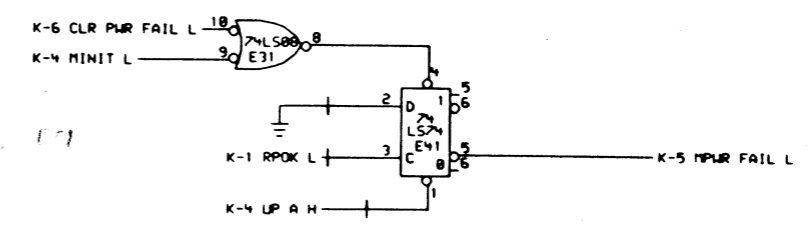
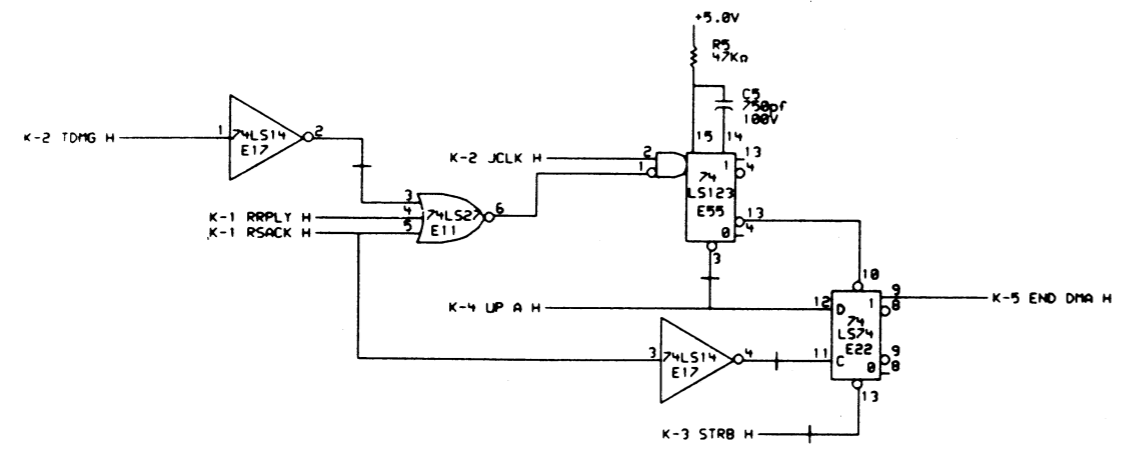
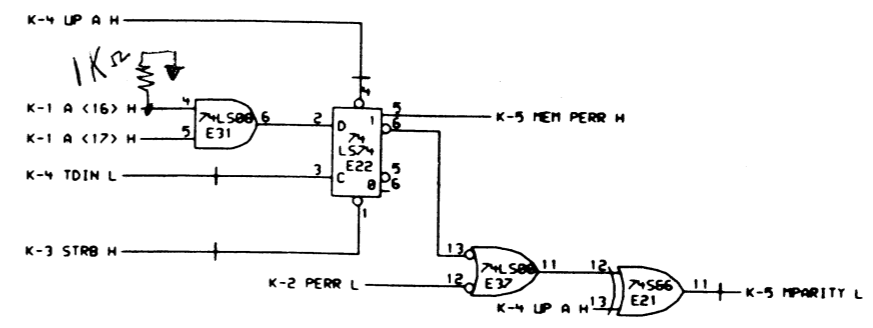
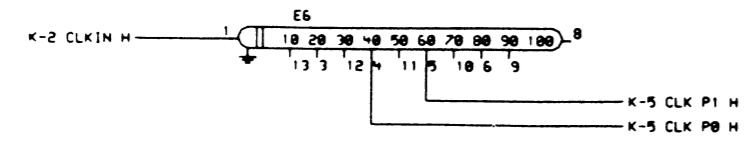
Handwritten note: "K2".

THIS DRAWING AND SPECIFICATIONS ARE THE PROPERTY OF LSI LOGIC. NO PART OF THIS DRAWING OR SPECIFICATIONS IS TO BE REPRODUCED OR COPIED IN ANY MANNER WITHOUT THE WRITTEN PERMISSION OF LSI LOGIC.

REVISIONS	
CHK	CHANGE NO. REV

DATE	ENG.	DATE	TEST.
DATE	DATE	DATE	DATE
FIRST USED ON OPTION MODEL: KDJ11A			
SIZE CODE	NUMBER	REV.	
K CS	118192-0-K	A	

LSI LOGIC



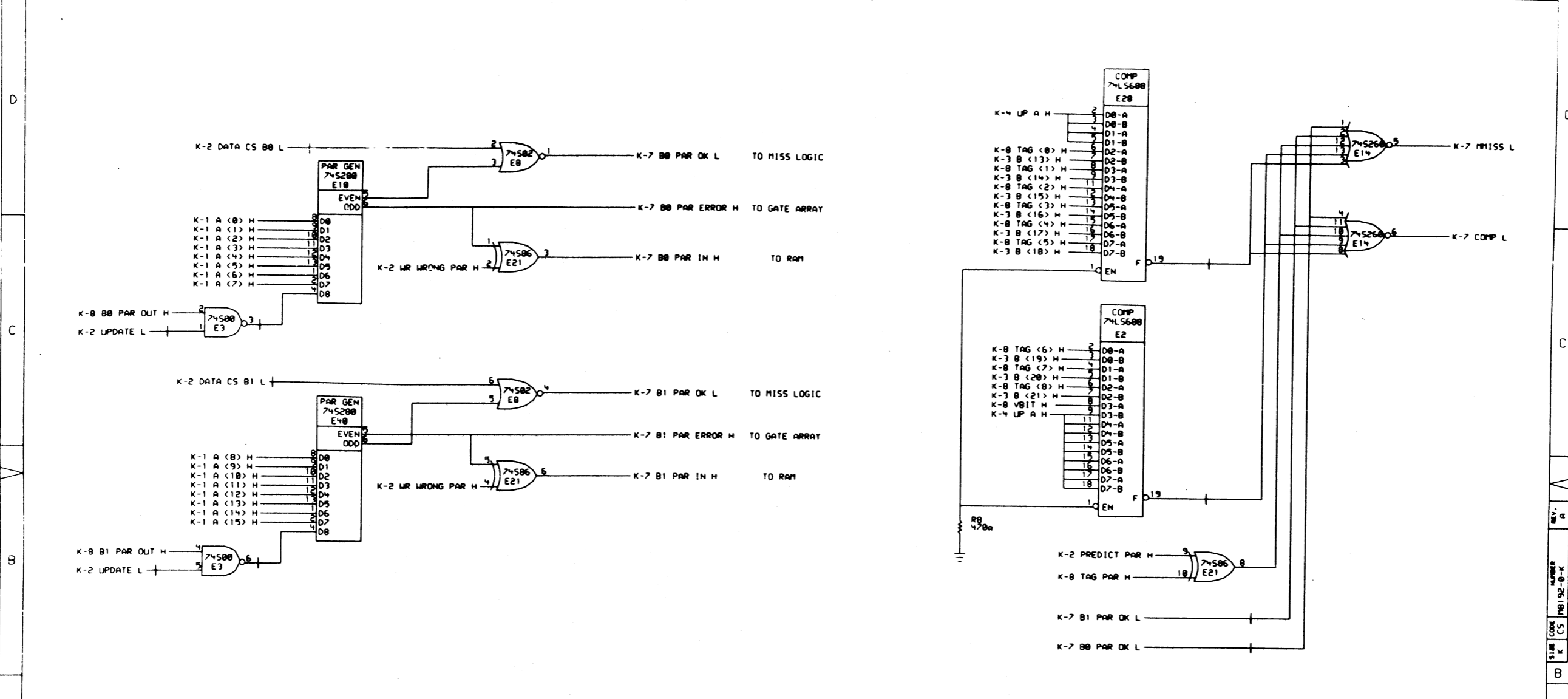
K5

REV. NO.	DATE	BY	CHK'D.
1			

REV. NO.	DATE	BY	CHK'D.
1			

digital	DATE	ENG.	DATE	TITLE: MISC. LOGIC #2
	30-SEP-83			

SIZE	CODE	NUMBER	REV.
K	CS	M8192-0-K	A



CACHE DATA PARITY LOGIC

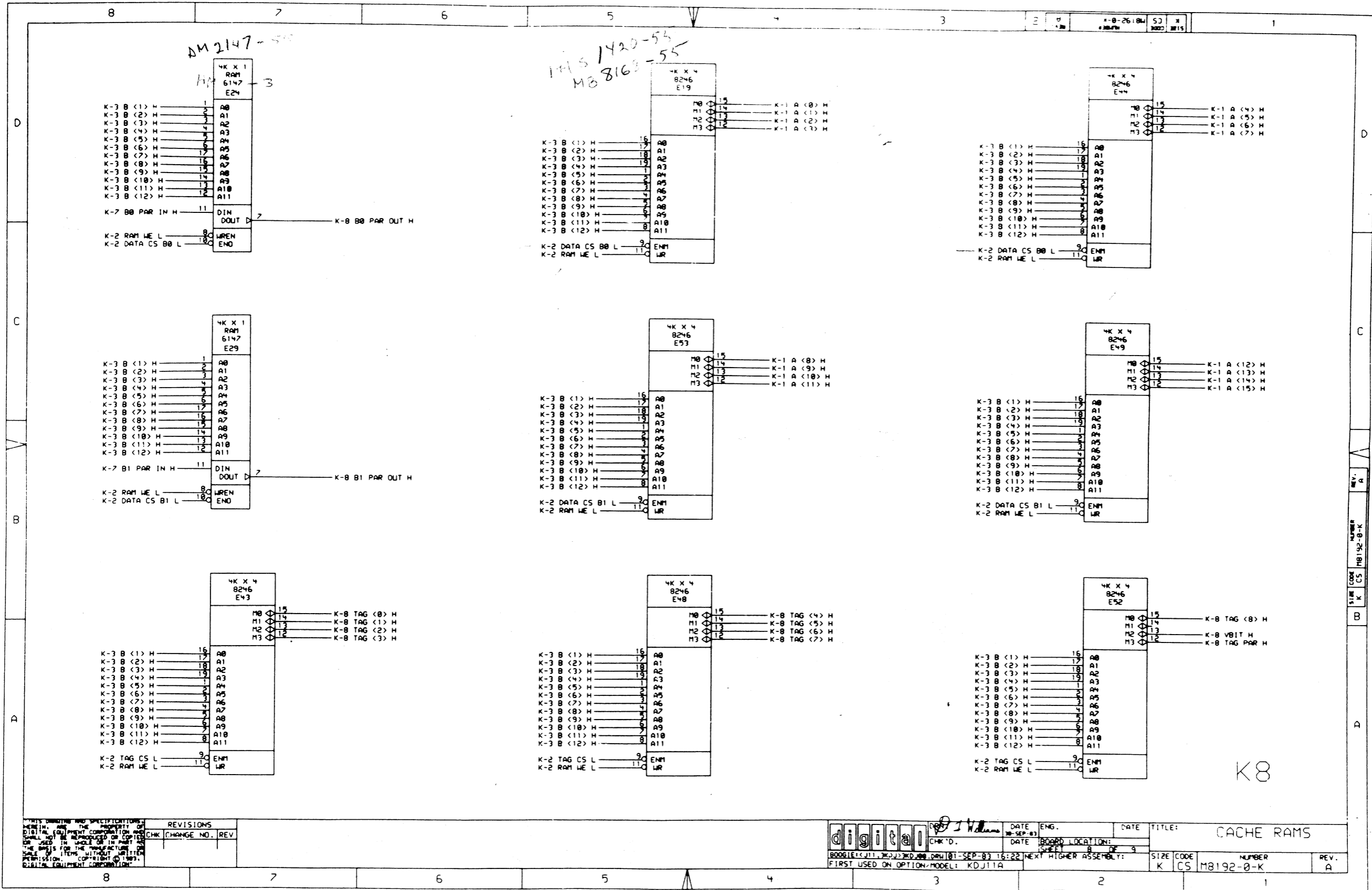
HIT/MISS LOGIC

K7

REV. A
NUMBER
M8192-0-K
CS
K
B

REVISIONS	
CHK	CHANGE NO. REV.

digital	DATE	ENG.	DATE	TITLE: HIT MISS COMP. & CACHE DATA PARITY
	CHK'D.	DATE	BOARD LOCATION:	
80091E C 11, 2022 2022	01-SEP-83	16:122	NEXT HIGHER ASSEMBLY:	SIZE CODE NUMBER REV. K CS M8192-0-K A
FIRST USED ON OPTION MODEL: KDJ11A				



THIS DRAWING AND SPECIFICATIONS
HEREIN, ARE THE PROPERTY OF
DIGITAL EQUIPMENT CORPORATION AND
SHALL NOT BE REPRODUCED OR COPIED
OR USED IN WHOLE OR IN PART AS
THE BASIS FOR THE MANUFACTURE OR
SALE OF ITEMS WITHOUT WRITTEN
PERMISSION. COPYRIGHT © 1983,
DIGITAL EQUIPMENT CORPORATION.

REVISIONS		
CHK	CHANGE NO.	REV

		DATE	ENG.	DATE	TITLE:
	CHK'D.	20-SEP-83			CACHE RAMS
BOOGLIE (J11, K02) KD 000 0001 SEP-83 16:22 NEXT HIGHER ASSEMBLY:					SIZE CODE NUMBER K CS M8192-0-K
FIRST USED ON OPTION-MODEL: KDJ11A					REV. A

