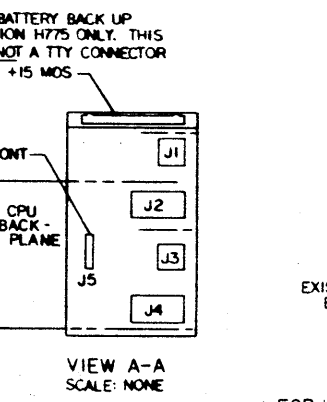
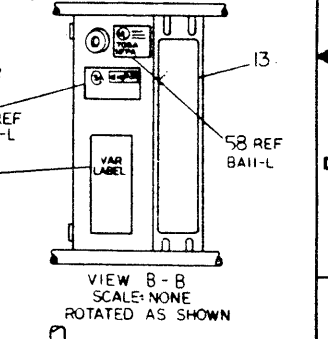
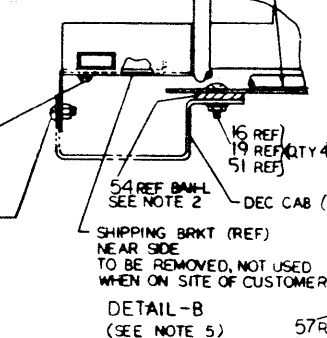
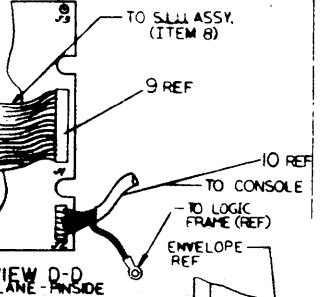


VARIATION

11/24-XX	1 BOX 250V NO MEMORY
11/24-YY	1 BOX 250V NO MEMORY
11/24-AA	1 BOX WITH 128 KB MEM
11/24-AB	1 BOX WITH 256 KB MEM
11/24-AC	1 BOX WITH 512 KB MEM
11/24-AD	1 BOX WITH 1024 KB MEM
11/24-AY	1 BOX 250V NO MEMORY
11/24-BY	1 BOX 250V NO MEMORY
11/24-BA	1 BOX WITH 128 KB MEM
11/24-BA	1 BOX WITH 256 KB MEM
11/24-BA	1 BOX WITH 512 KB MEM
11/24-BA	1 BOX WITH 1024 KB MEM
11/24-CA	1 BOX WITH 128 KB MEM
11/24-CA	1 BOX WITH 256 KB MEM
11/24-CA	1 BOX WITH 512 KB MEM
11/24-CA	1 BOX WITH 1024 KB MEM
11/24-DA	1 BOX WITH 128 KB MEM
11/24-DA	1 BOX WITH 256 KB MEM
11/24-DA	1 BOX WITH 512 KB MEM
11/24-DA	1 BOX WITH 1024 KB MEM
11/24-EA	1 BOX 240V NO MEM (FCU)
11/24-EA	1 BOX 240V NO MEM (FCU)

- NOTES:
- UNIBUS AND I/O CABLE - HOLD DOWN BAR TO BE USED TO CLAMP ALL EXITING CABLES.
  - FOR RACK MOUNTING INSTRUCTIONS & DIM SEE DRAWING NO: E-UA-BAIL-L-0.
  - CPU RIM (ITEM 1) TO BE INSERTED INTO SOCKET E22 ON M932 MODULE.
  - DISCONNECT WRAP AROUND GROUND WIRE BEFORE REMOVING FROM ENCLOSURE.
  - FOR CAB MTG REMOVE SHIPPING BRKT AND INSTALL AS SHOWN IN DETAIL 'B' USING 2 #10-32 X .50 TRUSS HD SCREWS & 2 #10-32 KEP (TYP BOTH SIDES) PLUS EXISTING HDW AS INDICATED IN DETAIL 'B'.
  - BOARD LOCATION 7 & 8 CONFIGURED FOR DMA OPTION. ANY NON-DMA MODULE INSTALLED IN THESE POSITIONS MUST PROVIDE JUMPER BETWEEN PINS CA1 & CB1.
  - ONE BC22-A-25 (ITEM 26) NULL MODEM CABLE IS SUPPLIED WITH THIS ASSY.
  - THE SLU ASSEMBLY MUST BE REMOVED FROM 11/24 UNIT ASSY BEFORE INSTALLING UNIT ASSY INTO CAB. THE SLU CONN IS THEN MOUNTED TO A REAR LOWER SEC. OF CAB FRAME. PAINT MUST BE REMOVED FROM MTG RAIL IF PRE-PAINTED TO INSURE GROUNDING. APPLY A LIGHT COATING OF CONDUCTIVE GREASE (DEC P/N 4901173) TO THIS SURFACE. MOUNT USING SAME HARDWARE USED FOR SHIPPING.
  - ONE H9270 TEST CONNECTOR (ITEM 34) IS SUPPLIED WITH THIS ASSY IN J4 OF SLU UNIT (ITEM 8) FOR TEST ONLY.



M7133 CPU MODULE			
1	M7133 CPU MODULE		
2	M7133 OR MEMORY ONLY		
3	G7273	GRANT CARD	SPC/MEM
4	G7273	GRANT CARD	SPC/MEM
5	G7273	GRANT CARD	SPC/MEM
6	G7273	GRANT CARD	SPC/MEM
7	G7273	GRANT CARD	SPC/MEM
8	G7273	GRANT CARD	SPC/MEM
9	M9312/UNIBUS	G7273	GRANT CARD SPC/QUAD

- MODULE NOTES:
- SLOTS 3 THRU 6 ARE DEFINED AS MEMORY OR SPC (HEX/QUAD) SLOTS.
  - SLOTS 7 AND 8 ARE DEFINED AS MUD/SPC (HEX/QUAD) SLOTS - SEE NOTE 6 ABOVE.
  - SLOT 9, C THRU F, IS DEFINED AS SPC QUAD.
  - G7273 GRANT CARD MUST BE INSTALLED IN ALL UNUSED C-D SLOTS. (3 THRU 9)
  - MSIL MEMORY MAY BE INSTALLED IN SLOT 2, 3, 4, 5 OR 6.

REFERENCE ENCLURE MOUNTS TO HOLE NOS 36 (RL) OR 54 (RR) ON CAB

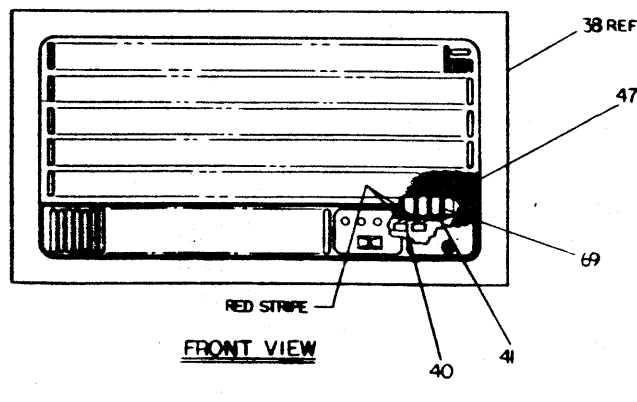
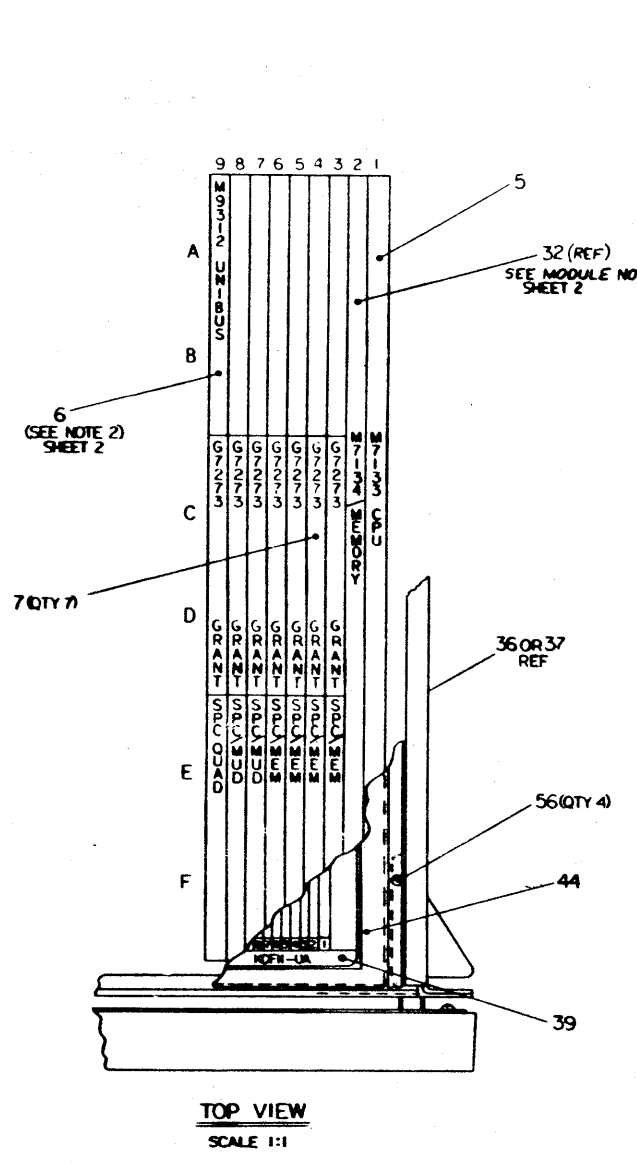
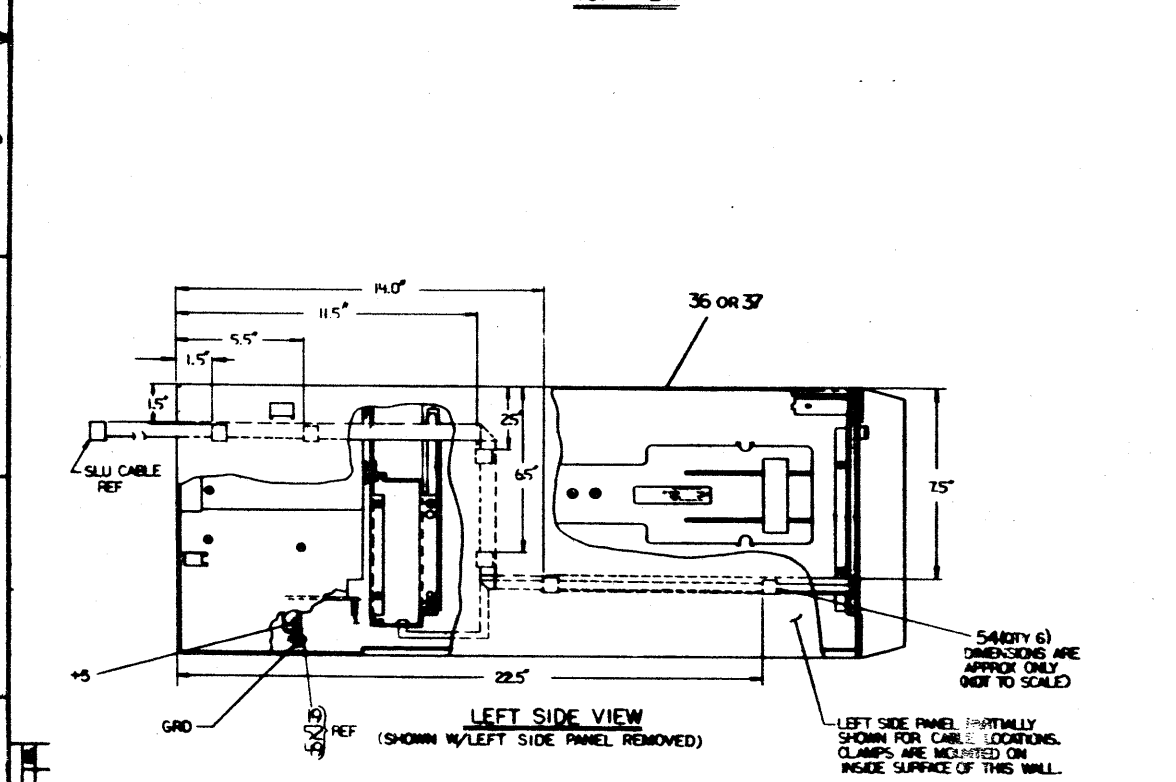
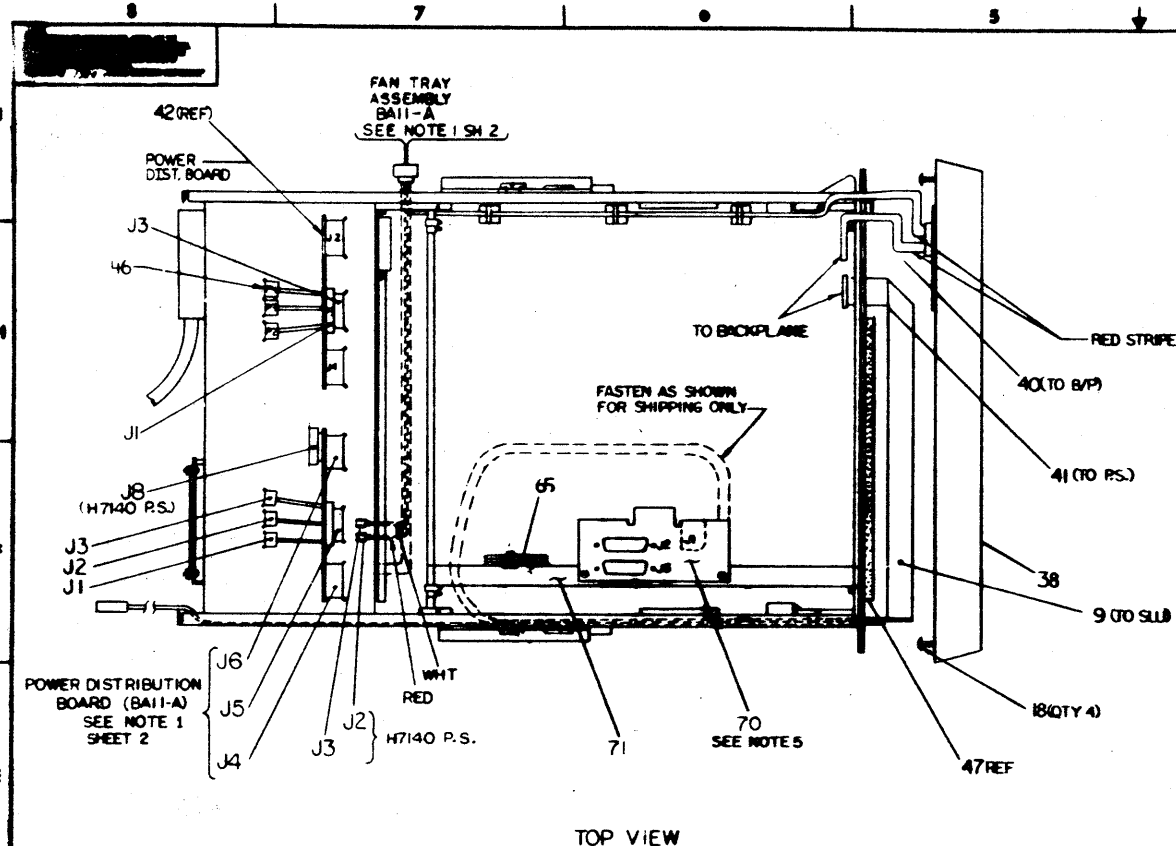
1	11/24-XX	1 BOX 250V NO MEMORY
2	11/24-YY	1 BOX 250V NO MEMORY
3	11/24-AA	1 BOX WITH 128 KB MEM
4	11/24-AB	1 BOX WITH 256 KB MEM
5	11/24-AC	1 BOX WITH 512 KB MEM
6	11/24-AD	1 BOX WITH 1024 KB MEM
7	11/24-AY	1 BOX 250V NO MEMORY
8	11/24-BY	1 BOX 250V NO MEMORY
9	11/24-BA	1 BOX WITH 128 KB MEM
10	11/24-BA	1 BOX WITH 256 KB MEM
11	11/24-BA	1 BOX WITH 512 KB MEM
12	11/24-BA	1 BOX WITH 1024 KB MEM
13	11/24-CA	1 BOX WITH 128 KB MEM
14	11/24-CA	1 BOX WITH 256 KB MEM
15	11/24-CA	1 BOX WITH 512 KB MEM
16	11/24-CA	1 BOX WITH 1024 KB MEM
17	11/24-DA	1 BOX WITH 128 KB MEM
18	11/24-DA	1 BOX WITH 256 KB MEM
19	11/24-DA	1 BOX WITH 512 KB MEM
20	11/24-DA	1 BOX WITH 1024 KB MEM
21	11/24-EA	1 BOX 240V NO MEM (FCU)
22	11/24-EA	1 BOX 240V NO MEM (FCU)

SHEET 1 IS FOR 'L-BOX' SHEETS 2 & 3 ARE FOR 'A-BOX'

FOR INTERCONNECT DIAGRAM SEE D-IC-11/24-0-6

11/24 UNIT ASSY

1	11/24-XX	1 BOX 250V NO MEMORY
2	11/24-YY	1 BOX 250V NO MEMORY
3	11/24-AA	1 BOX WITH 128 KB MEM
4	11/24-AB	1 BOX WITH 256 KB MEM
5	11/24-AC	1 BOX WITH 512 KB MEM
6	11/24-AD	1 BOX WITH 1024 KB MEM
7	11/24-AY	1 BOX 250V NO MEMORY
8	11/24-BY	1 BOX 250V NO MEMORY
9	11/24-BA	1 BOX WITH 128 KB MEM
10	11/24-BA	1 BOX WITH 256 KB MEM
11	11/24-BA	1 BOX WITH 512 KB MEM
12	11/24-BA	1 BOX WITH 1024 KB MEM
13	11/24-CA	1 BOX WITH 128 KB MEM
14	11/24-CA	1 BOX WITH 256 KB MEM
15	11/24-CA	1 BOX WITH 512 KB MEM
16	11/24-CA	1 BOX WITH 1024 KB MEM
17	11/24-DA	1 BOX WITH 128 KB MEM
18	11/24-DA	1 BOX WITH 256 KB MEM
19	11/24-DA	1 BOX WITH 512 KB MEM
20	11/24-DA	1 BOX WITH 1024 KB MEM
21	11/24-EA	1 BOX 240V NO MEM (FCU)
22	11/24-EA	1 BOX 240V NO MEM (FCU)



- NOTES:**
1. FAN POWER HARNESS, POWER DIST. BOARD, AND FAN TRAY ASSY ARE FROM F-JA-3A11-A AND E-AD-101639H-0-0 AND ARE LISTED AND SHOWN HERE AS PART OF THE SYSTEM INTERCONNECT FOR CLARITY.
  2. CPU ROM (ITEM 11) TO BE INSERTED INTO SOCKET E20 ON M9312 MODULE. M9312 SI-1 MUST BE TURNED ON (I-ON) IF M7134 IS INSTALLED.
  3. THE SLU CONN ASSY MUST BE REMOVED FROM UNIT ASSY BEFORE INSTALLING UNIT ASSY INTO CABINET. THE SLU ASSY IS THEN MOUNTED TO A REAR LOWER SECTION OF CABINET FRAME. PAINT MUST BE REMOVED FROM MTG RAIL IF PRE-PAINTED TO ASSURE GROUNDING. APPLY A COATING OF CONDUCTIVE GREASE (DEC 3M 4901173) TO THIS SURFACE. MOUNT USING SAME HARDWARE USED FOR SHIPPING. DISCARD SHIPPING RAILS.
  4. ONE BC22A NULL MODEM ITEM 26 CABLE IS SUPPLIED WITH THIS ASSY.
  5. ONE H3270 TEST CONNECTOR (ITEM 34) IS SUPPLIED WITH THIS ASSY FOR TEST PURPOSES ONLY.
  6. IF ANOTHER BACKPLANE (OPTIONAL) IS SHIPPED WITH THIS ASSY, THE SLU ASSY (ITEM 8) MUST BE SHIPPED SEPARATELY IN THE AUXILIARY SHIP KIT.
- MODULE NOTES:**
1. SLOTS 3 THRU 6 ARE DEFINED AS MEMORY OR SPC (HEX/QUAD) SLOTS.
  2. SLOTS 7 AND 8 ARE DEFINED AS SPC/MUD (HEX/QUAD) AND ARE CONFIGURED FOR DMA OPTION. ANY NON-DMA MODULE INSTALLED IN THESE POSITIONS MUST PROVIDE JUMPER BETWEEN PINS CA1 & CBI.
  3. SLOT 9 C THRU F IS DEFINED AS SPC QUAD. M9312 SI-1 MUST BE TURNED ON (I-ON) IF M7134 IS INSTALLED.
  4. G7273 GRANT CARD MUST BE INSTALLED IN ALL UNUSED C-D SLOTS (3 THRU 9).
  5. MS11L MEMORY MAY BE INSTALLED IN SLOT 2, 3, 4, 5 OR 6.
  6. MS11P MEMORY MAY BE INSTALLED IN SLOT 3, 4, 5 OR 6. M7134 MUST BE IN SLOT 2 WHEN USING MS11-P MEMORY.

SHEET 1 IS FOR "L-BOX"  
SHEETS 2 & 3 ARE FOR "A-BOX"

FOR INTERCONNECT DIAGRAM  
SEE D-IC-11/24-0-5

OFF SHEET PARTS LIST EXIST  
SEE K-PL-11/24-0-DBP

11/24	11/24	11/24	11/24
11/24 UNIT ASSY			
PARTS LIST			
11/24-0-0			





AUTOMATED BY PRTLST.4Q(50)

PARTS LIST

SHEET A1 OF A2

LINE	ITEM	TOP DOCUMENT	PART NUMBER	MIN REV	DESCRIPTION	QTY PER VARIATION														
						XX	XY	AA	AB	AC	AD	IX	IY	BC	BD	CC	CD			
1	1	E-UA-BA11-L-0	BA11	-LX	5.25" BOX W H777-UA PS,120V	1	0	0	0	0	0	0	0	0	0	0	0	0	0	0
2	2	E-UA-BA11-L-0	BA11	-LY	5.25" BOX W H777-UB PS,240V	0	1	0	0	0	0	0	0	0	0	0	0	0	0	0
3	3	E-AD-7016958-0-0	7016958	-03	CONSOLE ASSY, 11/24 5 1/4IN.	1	1	0	0	0	0	0	0	0	0	0	0	0	0	0
4	4	D-AD-7016905-0-0	7016905	-00	1124-L BACKPLANE ASSY.	1	1	0	0	0	0	1	1	0	0	0	0	0	0	0
5	5	D-UA-M7133-0-0	M7133	-00	KDF11-UA CPU,LINE CLOCK,2 SER LN	1	1	0	0	0	0	1	1	0	0	0	0	0	0	0
6	6	D-UA-M9312-0-0	M9312	-00	BOOTSTRAP TERMINATOR W 5 EMPTY R	0	0	1	1	1	1	0	0	1	1	0	0	0	0	0
7	7	D-UA-G7273-0-0	G7273	-00	BUS GRANT & NON-PROCESSOR GRANT	7	7	0	0	0	0	7	7	0	0	0	0	0	0	0
8	8	D-AD-7017466-0-0	7017466	-02	SLU ASSY. (2 SERIAL LINES)	1	1	0	0	0	0	0	0	0	0	0	0	0	0	0
9	9	D-IA-7012214-0-0	7012214	-10	CABLE, SLU TO BACKPLANE 10FT	1	1	0	0	0	0	1	1	0	0	0	0	0	0	0
10	10	D-IA-7016962-0-0	7016962	-00	CABLE, CONSOLE TO BACKPLANE	1	1	0	0	0	0	0	0	0	0	0	0	0	0	0
11	11		23774F1	-00	F1-01	1	1	0	0	0	0	1	1	0	0	0	0	0	0	0
12	13	A-DC-3617674-0-0	3617674	-00	LABEL,SERIAL/POWER W/O UL + CSA	1	1	0	0	0	0	1	1	0	0	0	0	0	0	0
13	14	A-PS-3700187-0-0	3700197	-00	INSTR PKG COMPUTER PDP11/04 INTE	1	1	0	0	0	0	0	0	0	0	0	0	0	0	0
14	15		9006071	-01	SCREW,MACH PAN PHIL 10-	4	4	0	0	0	0	2	2	0	0	0	0	0	0	0
15	16		9006037	-03	SCREW,MACH TRUSS PHIL 8-	REF	REF	0	0	0	0	0	0	0	0	0	0	0	0	0
16	17		9006043	-01	SCREW,MACH PAN PHIL 8-	4	4	0	0	0	0	0	0	0	0	0	0	0	0	0
17	18		9006078	-03	SCREW,MACH TRUSS PHIL 10-	0	0	0	0	0	0	4	4	0	0	0	0	0	0	0
18	19		9006660	-00	WASHER,FLAT SST	REF	REF	0	C	0	0	6	6	0	0	0	0	0	0	0
19	20		9008072	-00	WASHER,LOCK EXTERNAL STEEL	4	4	0	0	0	0	4	4	0	0	0	0	0	0	0
20	21	B-IA-7423591-0-0	7423591	-00	CABLE, CLAMP BASE	1	1	0	0	0	0	0	0	0	0	0	0	0	0	0
21	22	B-MD-7423592-0-0	7423592	-00	BAR CABLE CLAMP	1	1	0	0	0	0	0	0	0	0	0	0	0	0	0
22	23		9009711	-00	NUT,WING 6-32X .50 WD ZINC	2	2	0	0	0	0	0	0	0	0	0	0	0	0	0
23	24	A-DC-3615946-0-0	3615946	-00	LABEL,PRODUCT VARIATION	0	0	1	1	1	1	0	0	1	1	1	1	1	1	1
24	25	A-PS-3700061-0-0	3700061	-00	INSTR PKG COMPUTER 11/05 OLD STY	0	0	1	1	1	1	0	0	0	0	0	1	1	1	1
25	26	B-PL-BC22A-0-0	BC22A	-25	25FT RS232 SHIELDED NULL MODEM C	0	0	0	0	0	0	0	0	0	0	0	0	0	0	0
26	27	C-MD-7424589-0-0	7424589	-00	BRACKET SHIPPING SLU	2	2	0	0	0	0	0	0	0	0	0	0	0	0	0
27	28		9006565	-00	NUT,HEX EXT TOOTH LCKWSHR 10-32	4	4	0	0	0	0	2	2	1	1	0	0	0	0	0
28	29	E-UA-11/24-0-0	11/24	-XX	KDF11-UA,BA11-LX,M9312,120V	0	0	1	0	1	0	0	0	0	0	0	1	0	0	0
29	30	E-UA-11/24-0-0	11/24	-XY	KDF11-UA,BA11-LY,M9312,240V (NO	0	0	0	1	0	1	0	0	0	0	0	0	0	0	1
30	31	D-UA-MS11-L-0	MS11	-LB	MS11-LB 64K 18 BIT MOS MEM W PAR	0	0	1	1	0	0	0	0	0	0	0	0	0	0	0

REVISION HISTORY			BASIC PART NO:	11/24	DRN:	MARK CARROLL	DATE:	23-APR-80	D I G I T A L			
ENG	ECO NUMBER	REV	SECTION A	OF B	CHK'D:	R.J.RILEY	DATE:	23-APR-80	TITLE PARTS LIST			
	INITIAL	*	SECTION VARIATION INDEX						11/24 UNIT ASSEMBLY			
	INITIAL	*	[A]XX,XY,AA,AB,AC,AD,									
BM	11/24-TW001	A	YX,YY,BC,BD,CC,CD		DES.ENG:	R. MORIN	DATE:	23-APR-80	DOCUMENT NUMBER			
BM	11/24-TW001	A	[B]DC,DD						SIZE	CODE	NUMBER	REV
BB	11/24-TW002	B							K	PL	11/24-0-DBP	D
CG	11/24-ML004	C	[C]		RESP.ENG.:	R. GRUDA	DATE:	23-APR-80	RELEASE DATE: 09-MAR-84			
CG	11/24-ML006	D	[D]		MFG.ENG.:	G. ABRED	DATE:	23-APR-80				
			[E]		ASSEMBLY NUMBER:		TOP DOCUMENT NUMBER:		FILE NAME:		EDIT #	
			[F]		E-UA-11/24-0-0		B-DD-11/24-0-0		Z1318D.PLS		10	

"THIS DRAWING AND THE SPECIFICATIONS CONTAINED HEREIN ARE CONFIDENTIAL AND PROPRIETARY. THEY ARE THE PROPERTY OF DIGITAL EQUIPMENT CORPORATION AND SHALL NOT BE REPRODUCED OR COPIED OR USED IN WHOLE OR IN PART AS THE BASIS FOR THE MANUFACTURE OR SALE OF ITEMS WITHOUT WRITTEN PERMISSION. THIS IS AN UNPUBLISHED WORK PROTECTED UNDER THE FEDERAL COPYRIGHT LAWS."

AUTOMATED BY PRTLST.4Q(50)

PARTS LIST

SHEET A2 OF A2

LINE	ITEM	TOP DOCUMENT	PART NUMBER	MIN REV	DESCRIPTION	VARIATION REVISION LEVEL:											
						XX	XY	AA	AB	AC	AD	YX	YY	BC	BD	CC	CD
31	32	D-UA-MS11-L-0	MS11	-LD	MS11-LD 128K 18 BIT MOS MEM W PA	0	C	0	0	1	1	0	0	1	1	0	0
32	33	A-PS-3618175-0-0	3618175-01		LABEL,MODULE UTIL.	1	1	0	0	0	0	0	0	0	0	0	0
33	34	C-UA-H3270-0-0	H3270-00		DLV11-J LOOPBACK TEST PLUG	1	1	0	0	0	0	1	1	0	0	0	0
34	35	BLANK			*** THIS ITEM IS NOT USED ***	-	-	-	-	-	-	-	-	-	-	-	-
35	36	E-UA-BA11-A-0	BA11	-AA	10.5"BOX,H7140-AA PS,120V LINE C	0	0	0	0	0	0	1	0	0	0	0	0
36	37	E-UA-BA11-A-0	BA11	-AB	10.5"BOX,H7140-AB PS,240V LINE C	0	0	0	0	0	0	0	1	0	0	0	0
37	38	E-AD-7016958-0-0	7016958-01		CONSOLE ASSY, 11/24 10 1/2 IN.	0	0	0	0	0	0	1	1	0	0	0	0
38	39	A-PS-3618176-0-0	3618176-01		LABEL,MODULE UTIL.	0	0	0	0	0	0	1	1	0	0	0	0
39	40	D-AD-7011411-0-0	7011411-0F		CABLE, CONSOLE TO BACKPLANE (5 I	0	0	0	0	0	0	1	1	0	0	0	0
40	41	D-AD-7011411-0-0	7011411-3D		CABLE, CONSOLE TO BACKPLANE (3 F	0	0	0	0	0	0	1	1	0	0	0	0
41	42	D-UA-5413815-0-0	5413815-00		POWER DIST. BOARD ASSY.	0	0	0	0	0	0	1	1	0	0	0	0
42	43	D-AD-7016479-0-0	7016479-00		BOTTOM COVER ASSY.	0	0	0	0	0	0	1	1	0	0	0	0
43	44	D-MD-7421614-0-0	7421614-00		TOP COVER	0	0	0	0	0	0	1	1	0	0	0	0
44	45	D-MD-7424842-0-0	7424842-00		*** THIS ITEM IS NOT USED ***	-	-	-	-	-	-	-	-	-	-	-	-
45	46	D-IA-7016887-0-0	7016887-00		CABLE,JUMPER ASSY	0	0	0	0	0	0	1	1	0	0	0	0
46	47	A-PS-1216271-0-0	1216271-00		FILTER,AIR FOAM 020PPI	0	0	0	0	0	0	1	1	0	0	0	0
47	48	A-DC-3615087-0-0	3615087-02		LABEL,"DANGER-HIGH CURRENT"	0	0	0	0	0	0	1	1	0	0	0	0
48	49		9006039-01		SCREW,MACH PAN PHIL 8-	0	0	0	0	0	0	6	6	0	0	0	0
49	50		9006043-03		SCREW,MACH TRUSS PHIL 8-	0	0	0	0	0	0	4	4	0	0	0	0
50	51	E-PS-1216971-0-0	1216971-00		CHASSIS SLIDE FOR BA11-A	0	0	0	0	0	0	0	0	0	0	0	0
51	52		9006690-00		WASHER,HELICAL SPLIT SST	0	0	0	0	0	0	6	6	0	0	0	0
52	53	B-PS-1216197-0-0	1216197-00		SCREW,PIVOT	0	0	0	0	0	0	0	0	0	0	0	0
53	54		9009636-00		CLAMP,CABLE ADH MNT	0	0	0	0	0	0	6	6	0	0	0	0
54	55	BLANK			*** THIS ITEM IS NOT USED ***	-	-	-	-	-	-	-	-	-	-	-	-
55	56		9009701-00		SCREW,SEMS PAN PHIL 6-	0	0	0	0	0	0	8	8	0	0	0	0
56	57		9009545-00		SCREW,SEMS PAN PHIL 8-	0	0	0	0	0	0	4	4	0	0	0	0
57	58	BLANK			*** THIS ITEM IS NOT USED ***	-	-	-	-	-	-	-	-	-	-	-	-
58	59	E-UA-11/24-YX-0	11/24-YX		KDF11-UA,BA11-AA,M9312,120V (NO	0	0	0	0	0	0	0	0	1	0	0	0
59	60	E-UA-11/24-YY-0	11/24-YY		KDF11-UA,BA11-AB,M9312,240V (NO	0	0	0	0	0	0	0	0	0	1	0	0
60	61	BLANK			*** THIS ITEM IS NOT USED ***	-	-	-	-	-	-	-	-	-	-	-	-
61	62	A-SP-3700472-0-0	3700472-00		INSTR PKG COMPUTER(BA11-A)	0	0	0	0	0	0	1	1	0	0	0	0
62	63	BLANK			*** THIS ITEM IS NOT USED ***	-	-	-	-	-	-	-	-	-	-	-	-
63	64		1209856-02		CLIP, MODULE HOLDER W/O SEPARA	2	2	0	0	0	0	0	0	0	0	0	0
64	65		9007031-00		TIE,CABLE BUNDL,DIA 0- 3/4"=101	1	1	0	0	0	0	0	0	0	0	0	0
65	66	D-MA-7421613-0-0	7421613-00		SLIDE INDEX PLATES	0	0	0	0	0	0	0	0	0	0	0	0
66	67	D-MD-7421316-0-1	7421613-01		SLIDE INDEX PLATE	0	0	0	0	0	0	0	0	0	0	0	0
67	68	C-MD-7413659-0-0	7413659-00		BRACKET SHIPPING	0	0	0	0	0	0	0	0	1	1	0	0
68	69		9007035-00		GROMMET,CATERPILLAR POLYAMIDE	0	0	0	0	0	0	0	0	0	0	0	0
69	70	D-AD-7020770-0-0	7020770-01		SLU INTERFACE ASSY	0	0	0	0	0	0	1	1	0	0	0	0
70	71	D-MD-7428988-0-DBU	7428988-01		BRACKET,SHIP,SLU 11/24 (10.5)	0	0	0	0	0	0	1	1	0	0	0	0
71	72	D-UA-MS11-P-0	MS11	-PB	1MB ECC MOS RAM (M8743-BA,512K X	0	0	0	0	0	0	0	0	0	0	1	1
72	73	D-UA-M7134-0-0	M7134-00		UNIBUS MAP (EXTENDED ADDRESS TO	0	0	0	0	0	0	0	0	0	0	0	0
73	74	A-PS-3617880-0-0	3617880-09		LABEL,CLASS "A" SUBASSEMBLY	0	0	0	0	0	0	1	1	0	0	0	0
74	75	K-PL-H9544-M6-DBP	H9544-MG		SLIDE KIT FOR BA11-A IN H9642	0	0	0	0	0	0	1	1	0	0	0	0
75	76	B-UA-BC22D-0-0	BC22D-25		25FT CABLE,ASYNCR,NULL MODEM,6 WI	0	0	1	1	1	1	0	0	1	1	1	1
76	77	K-PL-KT24-0-0	KT24	-00	I/O MAP & BOOTSTRAP (M7134)	0	0	0	0	0	0	0	0	0	0	1	1

D	I	G	I	T	A	L	TITLE	11/24 UNIT ASSEMBLY	SECTION A	OF	B	SIZE	CODE	DOCUMENT NUMBER	REV
												K	PL	11/24-0-DBP	D

AUTOMATED BY PRTLST.4Q(50)

PARTS LIST

SHEET B1 OF B2

LINE	ITEM	TOP DOCUMENT	PART NUMBER	MIN REV	DESCRIPTION	QTY	PER	VARIATION
					VARIATION REVISION LEVEL:	DC	DD	
1	1	E-UA-BA11-L-0	BA11	-LX	5.25" BOX W H777-UA PS.120V	0	0	
2	2	E-UA-BA11-L-0	BA11	-LY	5.25" BOX W H777-UB PS.240V	0	0	
3	3	E-AD-7016958-0-0	7016958	-03	CONSOLE ASSY, 11/24 5 1/4IN.	0	0	
4	4	D-AD-7016905-0-0	7016905	-00	1124-L BACKPLANE ASSY.	0	0	
5	5	D-UA-M7133-0-0	M7133	-00	KDF11-UA CPU,LINE CLOCK,2 SER LN	0	0	
6	6	D-UA-M9312-0-0	M9312	-00	BOOTSTRAP TERMINATOR W 5 EMPTY R	0	0	
7	7	D-UA-G7273-0-0	G7273	-00	BUS GRANT & NON-PROCESSOR GRANT	0	0	
8	8	D-AD-7017466-0-0	7017466	-02	SLU ASSY. (2 SERIAL LINES)	0	0	
9	9	D-IA-7012214-0-0	7012214	-10	CABLE, SLU TO BACKPLANE 10FT	0	0	
10	10	D-IA-7016962-0-0	7016962	-00	CABLE, CONSOLE TO BACKPLANE	0	0	
11	11		23774F1	-00	F1-01	0	0	
12	13	A-DC-3617674-0-0	3617674	-00	LABEL,SERIAL/POWER W/O UL + CSA	0	0	
13	14	A-PS-3700187-0-0	3700197	-00	INSTR PKG COMPUTER PDP11/04 INTE	0	0	
14	15		9006071	-01	SCREW,MACH PAN PHIL 10-	0	0	
15	16		9006037	-03	SCREW,MACH TRUSS PHIL 8-	0	0	
16	17		9006043	-01	SCREW,MACH PAN PHIL 8-	0	0	
17	18		9006078	-03	SCREW,MACH TRUSS PHIL 10-	0	0	
18	19		9006660	-00	WASHER,FLAT SST	0	0	
19	20		9008072	-00	WASHER,LOCK EXTERNAL STEEL	0	0	
20	21	B-IA-7423591-0-0	7423591	-00	CABLE, CLAMP BASE	0	0	
21	22	B-MD-7423592-0-0	7423592	-00	BAR CABLE CLAMP	0	0	
22	23		9009711	-00	NUT,WING 6-32X .50 WD ZINC	0	0	
23	24	A-DC-3615946-0-0	3615946	-00	LABEL,PRODUCT VARIATION	1	1	
24	25	A-PS-3700061-0-0	3700061	-00	INSTR PKG COMPUTER 11/05 OLD STY	0	0	
25	26	B-PL-BC22A-0-0	BC22A	-25	25FT RS232 SHIELDED NULL MODEM C	0	0	
26	27	C-MD-7424589-0-0	7424589	-00	BRACKET SHIPPING SLU	0	0	
27	28		9006565	-00	NUT,HEX EXT TOOTH LCKWSHR 10-32	1	1	
28	29	E-UA-11/24-0-0	11/24	-XX	KDF11-UA,BA11-LX,M9312,120V	0	0	
29	30	E-UA-11/24-0-0	11/24	-XY	KDF11-UA,BA11-LY,M9312,240V (NO	0	0	
30	31	D-UA-MS11-L-0	MS11	-LB	MS11-LB 64K 18 BIT MOS MEM W PAR	0	0	

REVISION HISTORY		BASIC PART NO: 11/24		DRN: MARK CARROLL	DATE: 23-APR-80	D I G I T A L	
ENG:	ECO NUMBER	REV	SECTION B OF B	CHK'D: R.J.RILEY	DATE: 23-APR-80	TITLE PARTS LIST	
	INITIAL	*	SECTION VARIATION INDEX			11/24 UNIT ASSEMBLY	
	INITIAL	*	[A]XX,XY,AA,AB,AC,AD,				
BM	11/24-TW001	A	YX,YY,BC,BD,CC,CD	DES.ENG: R. MORIN	DATE: 23-APR-80	DOCUMENT NUMBER	
BM	11/24-TW001	A	[B]DC,DD			SIZE:CODE:	NUMBER
BB	11/24-TW002	B		RESP.ENG.: R. GRUDA	DATE: 23-APR-80	K	PL
CG	11/24-ML004	C	[C]			11/24-0-DBP	D
CG	11/24-ML006	D	[D]	MFG.ENG.: G. ABRED	DATE: 23-APR-80	RELEASE DATE: 09-MAR-84	
			[E]				
			[F]	ASSEMBLY NUMBER:	TOP DOCUMENT NUMBER:	FILE NAME:	EDIT #
				E-UA-11/24-0-0	B-DD-11/24-0-0	Z1318D.PLS	10
<p>"THIS DRAWING AND THE SPECIFICATIONS CONTAINED HEREIN ARE CONFIDENTIAL AND PROPRIETARY. THEY ARE THE PROPERTY OF DIGITAL EQUIPMENT CORPORATION AND SHALL NOT BE REPRODUCED OR COPIED OR USED IN WHOLE OR IN PART AS THE BASIS FOR THE MANUFACTURE OR SALE OF ITEMS WITHOUT WRITTEN PERMISSION. THIS IS AN UNPUBLISHED WORK PROTECTED UNDER THE FEDERAL COPYRIGHT LAWS."</p>							

LINE	ITEM	TOP DOCUMENT	PART NUMBER	MIN REV	DESCRIPTION	QTY PER VARIATION	
						DC	DD
31	32	D-UA-MS11-L-0	MS11	-LD	MS11-LD 128K 18 BIT MOS MEM W PA	0	0
32	33	A-PS-3618175-0-0	3618175-01		LABEL,MODULE UTIL.	0	0
33	34	C-UA-H3270-0-0	H3270-00		DLV11-J LOOPBACK TEST PLUG	0	0
34	35	BLANK			*** THIS ITEM IS NOT USED ***	-	-
35	36	E-UA-BA11-A-0	BA11	-AA	10.5"BOX,H7140-AA PS,120V LINE C	0	0
36	37	E-UA-BA11-A-0	BA11	-AB	10.5"BOX,H7140-AB PS,240V LINE C	0	0
37	38	E-AD-7016958-0-0	7016958-01		CONSOLE ASSY, 11/24 10 1/2 IN.	0	0
38	39	A-PS-3618176-0-0	3618176-01		LABEL,MODULE UTIL.	0	0
39	40	D-AD-7011411-0-0	7011411-0F		CABLE, CONSOLE TO BACKPLANE (5 I	0	0
40	41	D-AD-7011411-0-0	7011411-3D		CABLE, CONSOLE TO BACKPLANE (3 F	0	0
41	42	D-UA-5413815-0-0	5413815-00		POWER DIST. BOARD ASSY.	0	0
42	43	D-AD-7016479-0-0	7016479-00		BOTTOM COVER ASSY.	0	0
43	44	D-MD-7421614-0-0	7421614-00		TOP COVER	0	0
44	45	D-MD-7424842-0-0	7424842-00		*** THIS ITEM IS NOT USED ***	-	-
45	46	D-IA-7016887-0-0	7016887-00		CABLE,JUMPER ASSY	0	0
46	47	A-PS-1216271-0-0	1216271-00		FILTER,AIR FOAM O2OPPI	0	0
47	48	A-DC-3615087-0-0	3615087-02		LABEL,"DANGER-HIGH CURRENT"	0	0
48	49		9006039-01		SCREW,MACH PAN PHIL 8-	0	0
49	50		9006043-03		SCREW,MACH TRUSS PHIL 8-	0	0
50	51	E-PS-1216971-0-0	1216971-00		CHASSIS SLIDE FOR BA11-A	0	0
51	52		9006690-00		WASHER,HELICAL SPLIT SST	0	0
52	53	B-PS-1216197-0-0	1216197-00		SCREW,PIVOT	0	0
53	54		9009636-00		CLAMP,CABLE ADH MNT	0	0
54	55	BLANK				-	0
55	56		9009701-00		SCREW,SEMS PAN PHIL 6-	0	0
56	57		9009545-00		SCREW,SEMS PAN PHIL 8-	0	0
57	58	BLANK				-	0
58	59	E-UA-11/24-YX-0	11/24-YX		KDF11-UA,BA11-AA,M9312,120V (NO	1	0
59	60	E-UA-11/24-YY-0	11/24-YY		KDF11-UA,BA11-AB,M9312,240V (NO	0	1
60	61	BLANK			*** THIS ITEM IS NOT USED ***	-	-
61	62	A-SP-3700472-0-0	3700472-00		INSTR PKG COMPUTER(BA11-A)	0	0
62	63	BLANK			*** THIS ITEM IS NOT USED ***	-	-
63	64		1209856-02		CLIP, MODULE HOLDER W/O SEPARA	0	0
64	65		9007031-00		TIE,CABLE BUNDL.DIA 0- 3/4"=101	0	0
65	66	D-MA-7421613-0-0	7421613-00		SLIDE INDEX PLATES	1	1
66	67	D-MD-7421316-0-1	7421613-01		SLIDE INDEX PLATE	1	1
67	68	C-MD-7413659-0-0	7413659-00		BRACKET SHIPPING	1	1
68	69		9007035-00		GROMMET,CATERPILLAR POLYAMIDE	0	0
69	70	D-AD-7020770-0-0	7020770-01		SLU INTERFACE ASSY	0	0
70	71	D-MD-7428988-0-DBU	7428988-01		BRACKET,SHIP,SLU 11/24 (10.5)	0	0
71	72	D-UA-MS11-P-0	MS11	-PB	1MB ECC MOS RAM (M8743-BA,512K X	1	1
72	73	D-UA-M7134-0-0	M7134-00		UNIBUS MAP (EXTENDED ADDRESS TO	0	0
73	74	A-PS-3617880-0-0	3617880-09		LABEL,CLASS "A" SUBASSEMBLY	0	0
74	75	K-PL-H9544-M6-DBP	H9544-MG		*** THIS ITEM IS NOT USED ***	-	-
75	76	B-UA-BC22D-0-0	BC22D-25		25FT CABLE,ASYNC,NULL MODEM,6 WI	1	1
76	77	K-PL-KT24-0-0	KT24	-00	I/O MAP & BOOTSTRAP (M7134)	1	1

D	I	G	I	T	A	L	TITLE	11/24 UNIT ASSEMBLY	SECTION B OF B	SIZE	CODE	DOCUMENT NUMBER	REV
										K	PL	11/24-0-DBP	D

DIGITAL EQUIPMENT CORPORATION PARTS LIST				QUANTITY / VARIATION										NOTES:
MADE BY A. ROCHA DATE 10-DEC-80		CHECKED <i>Rpimorin</i> DATE 15 JAN 81		SECTION										NEW DRAWING RELEASED AT REVISION B. REVISION A WAS A MISNUMBER AND HAS BEEN ASSIGNED A NEW DRAWING NUMBER.
ENG <i>Rpimorin</i> DATE 15 JAN 81		PROD <i>A. J. J. J. J.</i> DATE 1-15-81		ISSUED SECTION										
ITEM NO.	DRAWING NO.	PART NO.	DESCRIPTION	11/24-AA	11/24-AB	11/24-AC	11/24-AD	11/24-BC	11/24-BD	11/24-CC	11/24-CD	11/24-DC	11/24-DD	REF DESIGNATION
1	E-UA-11/24-0-0	11/24-XX	BAll-LX,H777-UA P.S.,W/O MEM,115V	1	-	1	-	-	-	1	0	0	0	
2	E-UA-11/24-0-0	11/24-XY	BAll-LY,H777-UB P.S.,W/O MEM,230V	-	1	-	1	-	-	0	1	0	0	
3	E-UA-11/24-0-0	11/24-YX	BAll-AA,H7140-AA P.S.,W/O MEM,115V	-	-	-	-	1	-	0	0	1	0	
4	E-UA-11/24-0-0	11/24-YY	BAll-AB,H7140-AB P.S.,W/O MEM,230V	-	-	-	-	-	1	0	0	0	1	
5	D-UA-MS11-L-0	MS11-LB	MS11-LB,64K 18 BIT MOS MEM	1	1	-	-	-	-	0	0	0	0	
6	D-UA-MS11-L-0	MS11-LD	MS11-LD, 128K 18 BIT MOS MEM	-	-	1	1	1	1	0	0	0	0	
7	B-PL-BC22A-0-0	BC22A-25	BC22A-10 EXCEPT 25 FT	1	1	1	1	1	1	1	1	1	1	
8	E-PS-1216971-0-0	1216971	CHASSIS SLIDE AND HDW KIT	-	-	-	-	1	1	0	0	1	1	
9	B-PL-11/24-0-3		11/24 SOFTWARE LIST	1	1	1	1	1	1	1	1	1	1	
10	A-PL-11/24-0-4		HARDWARE KIT LIST	1	1	1	1	-	-	1	1	0	0	
11	A-PS-3700061-0-0	3700061-00	PACK INSTRUCTIONS	1	1	1	1	-	-	1	1	0	0	
12	A-PS-3700197-0-0	3700197-00	PACK INSTRUCTIONS, INTER.	1	1	1	1	-	-	1	1	0	0	
13	A-SP-3700472-0-0	3700472-00	INSTR. PACK KIT	-	-	-	-	1	1	0	0	1	1	
15	C-MD-7413659-0-0	7413659-00	SHIPPING BRACKET	-	-	-	-	1	1	0	0	1	1	
16		9006565-00	NUT,KEP, 10-32 X 3/8 AF	-	-	-	-	1	1	0	0	1	1	
17	B-DD-MS11-P	MS11-PB	MS11-PB MOS MEMORY	0	0	0	0	0	0	1	1	1	1	
18	B-DD-KT24-0-0	M7134-00	M7134 MAP MODULE	0	0	0	0	0	0	1	1	1	1	

E.C.O. NO.  
11/24-  
TW001  
11/24-  
TW002  
11/24-  
MLO04

"THIS DRAWING AND SPECIFICATIONS, HEREIN, ARE THE PROPERTY OF DIGITAL EQUIPMENT CORPORATION AND SHALL NOT BE REPRODUCED OR COPIED OR USED IN WHOLE OR IN PART AS THE BASIS FOR THE MANUFACTURE OR SALE OF ITEMS WITHOUT WRITTEN PERMISSION. COPYRIGHT © 1980 DIGITAL EQUIPMENT CORPORATION"

TITLE  
11/24, SHIPPING LIST

ASSY NO.  
B-DD-11/24-0  
SHEET 1 OF 1

SIZE CODE  
B PL  
NUMBER  
11/24-0-2  
INSERTION PARTS LIST DATA BASE REV

REV.  
D

# DIGITAL EQUIPMENT CORPORATION PARTS LIST

MADE BY DATE	A. ROCHA 10-DEC-80	CHECKED DATE	SECTION
ENG DATE	<i>Romero</i> 15 JAN 81	PROD DATE	ISSUED SECTION
		<i>Romero</i> 1-15-81	

QUANTITY / VARIATION

NOTES:  
RELEASED AT A "B" REV.

ITEM NO.	DRAWING NO.	PART NO.	DESCRIPTION	QUANTITY / VARIATION										REF DESIGNATION	
				11/24-AA	11/24-AB	11/24-AC	11/24-AD	11/24-BC	11/24-BD	11/24-CC	11/24-CD	11/24-DC	11/24-DD		
1	EK-11-024-TM-001		PDP 11/24 SYSTEM TECH MANUAL	1	1	1	1	1	1	1	1	1	1		
2		MP00672	MS11-L PRINT SET	1	1	1	1	1	1	-	-	-	-		
3	EK-MS11L-UG-001		MS11-L MOS MEMORY USERS GUIDE	1	1	1	1	1	1	-	-	-	-		
4		MP01013	FIELD MAINT. PRINT SET, 11/24	1	1	1	1	1	1	1	1	1	1		
5	ZJ013-FR ZJ013-PB		11/24 BASIC CPU KIT (FICHE) 11/24 BASIC CPU KIT (PAPERTAPE)	1	1	1	1	1	1	1	1	1	1		
6	A-PS-1700163-00	(SHEET 6 & 7 ONLY)	BC22A-25 PRINT SET	1	1	1	1	1	1	1	1	1	1		
7	EK-M9312-TM		TECH MANUAL (M9312)	1	1	1	1	1	1	1	1	1	1		
8		MP00617	M9312 PRINT SET	1	1	1	1	1	1	1	1	1	1		
9	EK-BALL-MM-PRE		BALL-L MAINT. MANUAL	1	1	1	1	-	-	1	1	0	0		
10	EK-BALLA-TM-001		BALL-A USER'S GUIDE	-	-	-	-	1	1	0	0	1	1		
11	A-SP-H7750-0-3		BATTERY BACK-UP INSTALLATION	-	-	-	-	1	1	0	0	1	1		
12	A-SP-BALL-AJ-03		CONVERSION KIT (120V-240V)	-	-	-	-	1	1	0	0	1	1		
13	EK-FS003-IN		PDP-11 INSTALLATION/ACCEPT PROCEDURE	1	1	1	1	1	1	1	1	1	1		
14			11/24 POCKET REFERENCE GUIDE	1	1	1	1	1	1	1	1	1	1		
15		MP01477	MS11-P PRINT SET	-	-	-	-	-	-	1	1	1	1		
16		MP01029	KT24 PRINT SET	-	-	-	-	-	-	1	1	1	1		

E.C.O. NO.  
11/24-TW001  
11/24-TW002  
11/24-MLO04

"THIS DRAWING AND SPECIFICATIONS, HEREIN, ARE THE PROPERTY OF DIGITAL EQUIPMENT CORPORATION AND SHALL NOT BE REPRODUCED OR COPIED OR USED IN WHOLE OR IN PART AS THE BASIS FOR THE MANUFACTURE OR SALE OF ITEMS WITHOUT WRITTEN PERMISSION. COPYRIGHT © 1980 DIGITAL EQUIPMENT CORPORATION"

TITLE  
11/24 SOFTWARE LIST

ASSY NO.  
E-UA-11/24-0-0

SIZE  
**B**

CODE  
**PL**

NUMBER  
11/24-0-3

REV.  
C

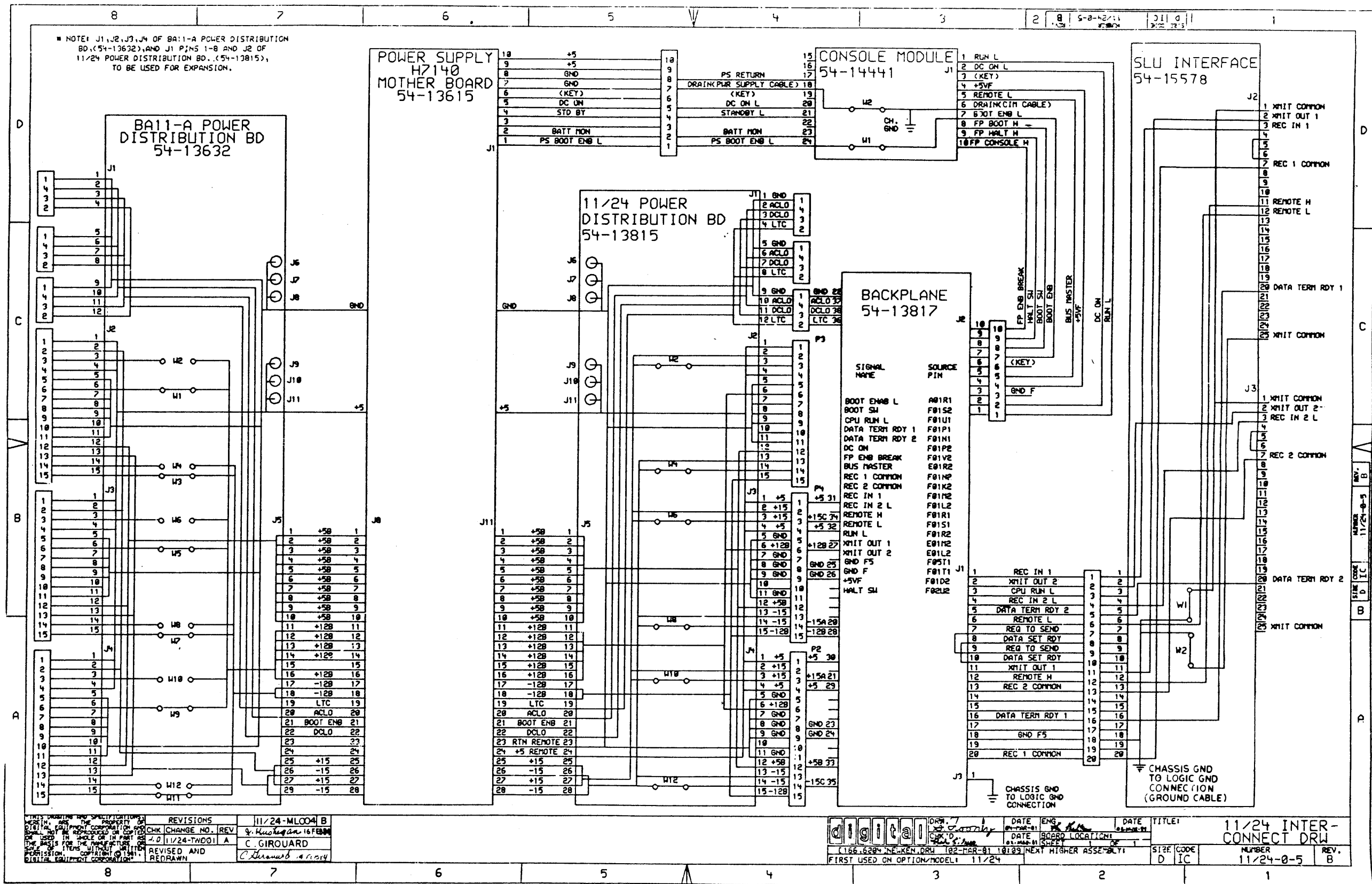
SHEET 1 OF 1

INSERTION PARTS LIST DATA BASE REV

DIGITAL EQUIPMENT CORPORATION PARTS LIST				QUANTITY / VARIATION										NOTES:								
MADE BY DATE		A. ROCHA 10-DEC-80		CHECKED <i>R. Morin</i> DATE 15 JAN 81		SECTION												ITEMS 1 THRU 4 MOUNT L-BOX ENVELOPE TO CABINET REAR RAILS AND ITEM 5 AND 6 MOUNT ENVELOPE TO CABINET FRONT RAILS.				
ENG DATE		R. MORIN <i>R. Morin</i> 12-NOV-80		PROD. <i>A. Superior</i> DATE 1-15-81		ISSUED SECTION																
ITEM NO.	DRAWING NO.	PART NO.	DESCRIPTION	11/24-0-4														REF DESIGNATION				
1	B-MD-7418259-0-0	7418259-00	SPACER ENCLOSURE	4																		
2		9006037-03	SCREW, TR HD, PN 8.32x.38LG	4																		
3		9006660-00	WASHER, FLAT NO. 8	4																		
4		9008072-00	WASHER, LOCK, EXT TH. NO. 8	4																		
5		9006071-03	SCREW, TR HD, PH, 10-32x.38LG	4																		
6		9007786-00	RETAINER, U-NUT, 10-32	4																		
			(BAG & TAG KIT FORM)																			
E.C.O. NO. 11/24- TW001				TITLE 11/24 HARDWARE KIT LIST														ASSY NO. B-DD-11/24-0	SIZE B	CODE PL	NUMBER 11/24-0-4	REV. A
"THIS DRAWING AND SPECIFICATIONS, HEREIN, ARE THE PROPERTY OF DIGITAL EQUIPMENT CORPORATION AND SHALL NOT BE REPRODUCED OR COPIED OR USED IN WHOLE OR IN PART AS THE BASIS FOR THE MANUFACTURE OR SALE OF ITEMS WITHOUT WRITTEN PERMISSION. COPYRIGHT ©1980 DIGITAL EQUIPMENT CORPORATION"				SHEET 1 OF 1										INSERTION PARTS LIST DATA BASE REV								

TW





REVISIONS	DATE	BY
1	11/24-MLO04 B	
2	11/24-TW001 A	C. GIROUARD

11/24 INTERCONNECT DRW	DATE: 11/24/81	ENG: [Signature]	DATE: 11/24/81	TITLE: 11/24 INTERCONNECT DRW
166,6204 NE-KEN DRU	102-MAR-81	10109	NEXT HIGHER ASSEMBLY:	SIZE: CODE D IC
FIRST USED ON OPTION/MODEL: 11/24				NUMBER: 11/24-0-5
				REV: B

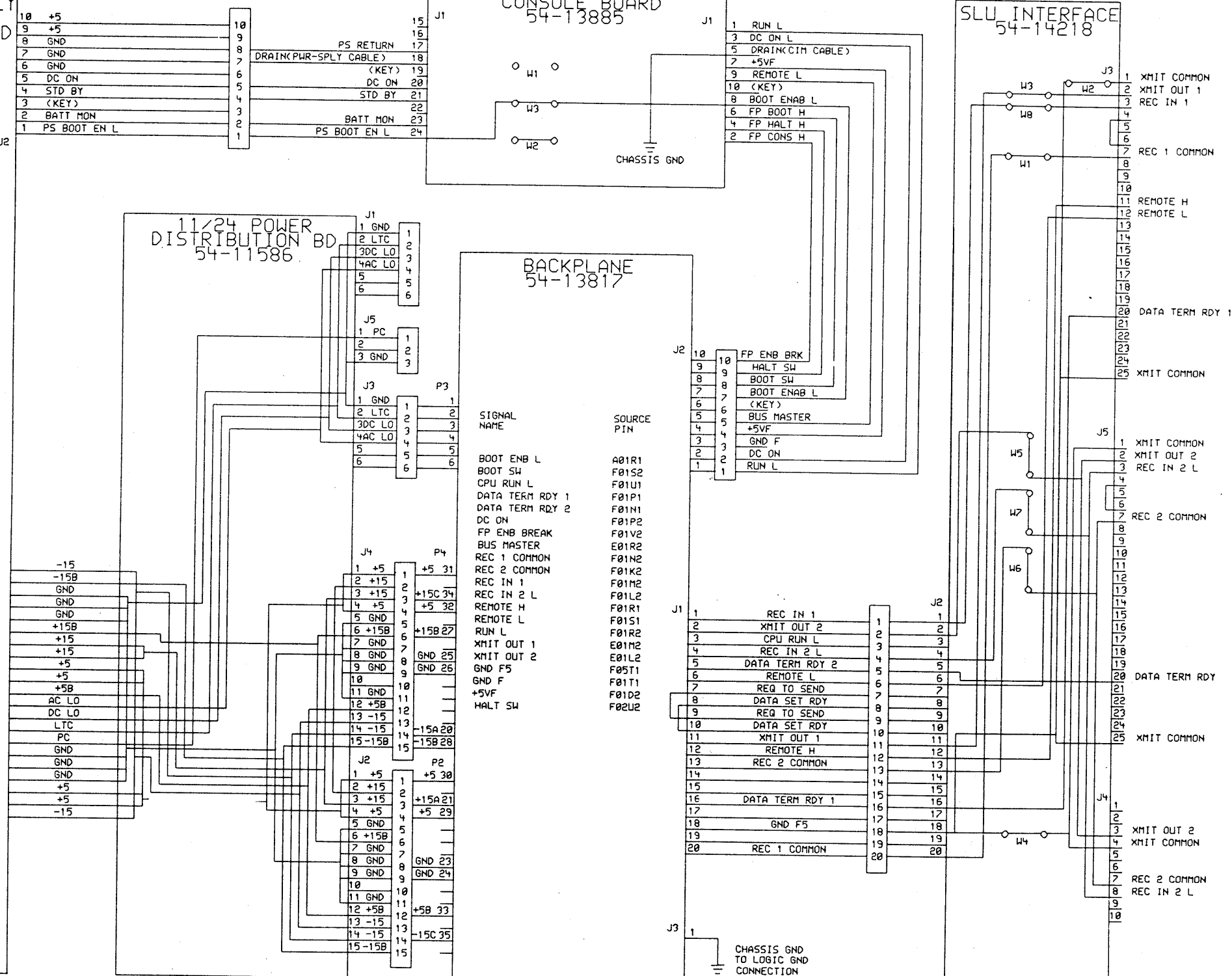
POWER SUPPLY  
MOTHER BOARD  
54-11597

CONSOLE BOARD  
54-13885

SLU INTERFACE  
54-14218

11/24 POWER  
DISTRIBUTION BD  
54-11586

BACKPLANE  
54-13817



SIGNAL NAME	SOURCE PIN
BOOT ENB L	A01R1
BOOT SW	F01S2
CPU RUN L	F01U1
DATA TERM RDY 1	F01P1
DATA TERM RDY 2	F01N1
DC ON	F01P2
FP ENB BREAK	F01V2
BUS MASTER	E01R2
REC 1 COMMON	F01N2
REC 2 COMMON	F01K2
REC IN 1	F01M2
REC IN 2 L	F01L2
REMOTE H	F01R1
REMOTE L	F01S1
RUN L	F01R2
XMIT OUT 1	E01M2
XMIT OUT 2	E01L2
GND F5	F05T1
GND F	F01T1
+5VF	F01D2
HALT SW	F02U2

CHK	CHANGE NO.	REV
	11/24-TN231	A

REVISIONS

NEVEI AND  
RECRAWN

**digital** DRW. *Jooby* DATE 03-MAR-81 ENG. *Jooby* DATE 03-MAR-81

11/24 INTER CONNECT DRW

156.6004 KENZ. DRW 03-MAR-81 08138 NEXT HIGHER ASSEMBLY: BOARD LOCATION: SHEET 1 OF 1

SIZE CODE D IC NUMBER 11/24-0-6 REV. A

SILVER R. (156.6004) KENZ. DRW, SCALE 2:1 "D" RELEASE BOX  
SILVER R. KENZ. P.L.O.C. (156.6004) F3-MAR-81 08138

"THE MATERIAL HEREIN IS FOR INFORMATION PURPOSES ONLY AND IS SUBJECT TO CHANGE WITHOUT NOTICE. DIGITAL EQUIPMENT CORPORATION ASSUMES NO RESPONSIBILITY FOR ANY ERRORS WHICH MAY APPEAR HEREIN."

# FIELD MAINTENANCE PRINT SET

"THIS DRAWING AND SPECIFICATIONS, HEREIN, ARE THE PROPERTY OF DIGITAL EQUIPMENT CORPORATION AND SHALL NOT BE REPRODUCED OR COPIED OR USED IN WHOLE OR IN PART AS THE BASIS FOR THE MANUFACTURE OR SALE OF ITEMS WITHOUT WRITTEN PERMISSION. COPYRIGHT © 1983 DIGITAL EQUIPMENT CORPORATION."

## TABLE OF CONTENTS

B-TC-BALL-A-1	FIELD MAINT. PRINT SET MP00832
B-DD-BALL-A	DRAWING DIRECTORY - BALL-A UNIT ASSY
E-UA-BALL-A-0	BALL-A UNIT ASSY
K-PL-BALL-A-DBP	BALL-A UNIT ASSY - P/L
E-AD-7016391-0-0	BALL-A BOX ASSEMBLY
K-PL-7016391-0-DBP	BALL-A BOX ASSY - P/L
C-IA-7016901-0-0	FAN POWER HARNESS
D-AD-7016472-0-0	FAN TRAY ASSEMBLY
K-PL-7016472-0-DBP	FAN TRAY ASSY - P/L
MP00837	H7140 POWER SUPPLY
D-AD-7016888-0-0	POWER DISTRIBUTION BD. ASSEMBLY
D-UA-5413632-0-0	POWER DISTRIBUTION BD.
D-CS-5413632-01	CIRCUIT SCHEMATIC (PWR DISTRIBUTION BD.)
E-AD-7016493-0-0	BALL-A BOX FRAME ASSEMBLY
K-PL-7016493-0-DBP	BALL-A BOX FRAME ASSY - P/L
C-IA-7016392-0-0	FAN CABLE ASSY
D-AD-7016887-0-0	POWER DISTRIBUTION BD. HARNESS ASSY

SEE B-DD-BALL-AE DWG. DIRECTORY

UNIT VARIATIONS COVERED BY THIS PRINT SET
BALL-AA
BALL-AB
BALL-AE
BALL-AF
BALL-AL
BALL-AM
BALL-AS
BALL-AT

Field Maintenance Print Set

BALL-A

Digital Equipment Corporation

MP00832

EN 01124-16-N678-13277

REVISIONS	CHG. NO.	REV.	USED ON OPTION/MODEL	DRN.	DATE	TITLE: BALL-A UNIT ASSEMBLY						
	DATE	BALL-A-TW1	A	JOHN NAGLE	30JUN79							
			11/44			digital						
			11/24	CHK'D	DATE							
			11/730-A	P. HELG	8/17/79							
				PROJ. ENG.	DATE	SIZE	CODE	NUMBER			REV.	
				R. GRUDA	8/17/79	B	TC	BALL-A-1			B	
				FIELD SERV.	DATE	DIST.						
				RALPH EVANS	8/17/79							
			SHEET I OF 1									



"THE MATERIAL HEREIN IS FOR INFORMATION PURPOSES ONLY AND IS SUBJECT TO CHANGE WITHOUT NOTICE. DIGITAL EQUIPMENT CORPORATION ASSUMES NO RESPONSIBILITY FOR ANY ERRORS WHICH MAY APPEAR HEREIN."

### DRAWING DIRECTORY

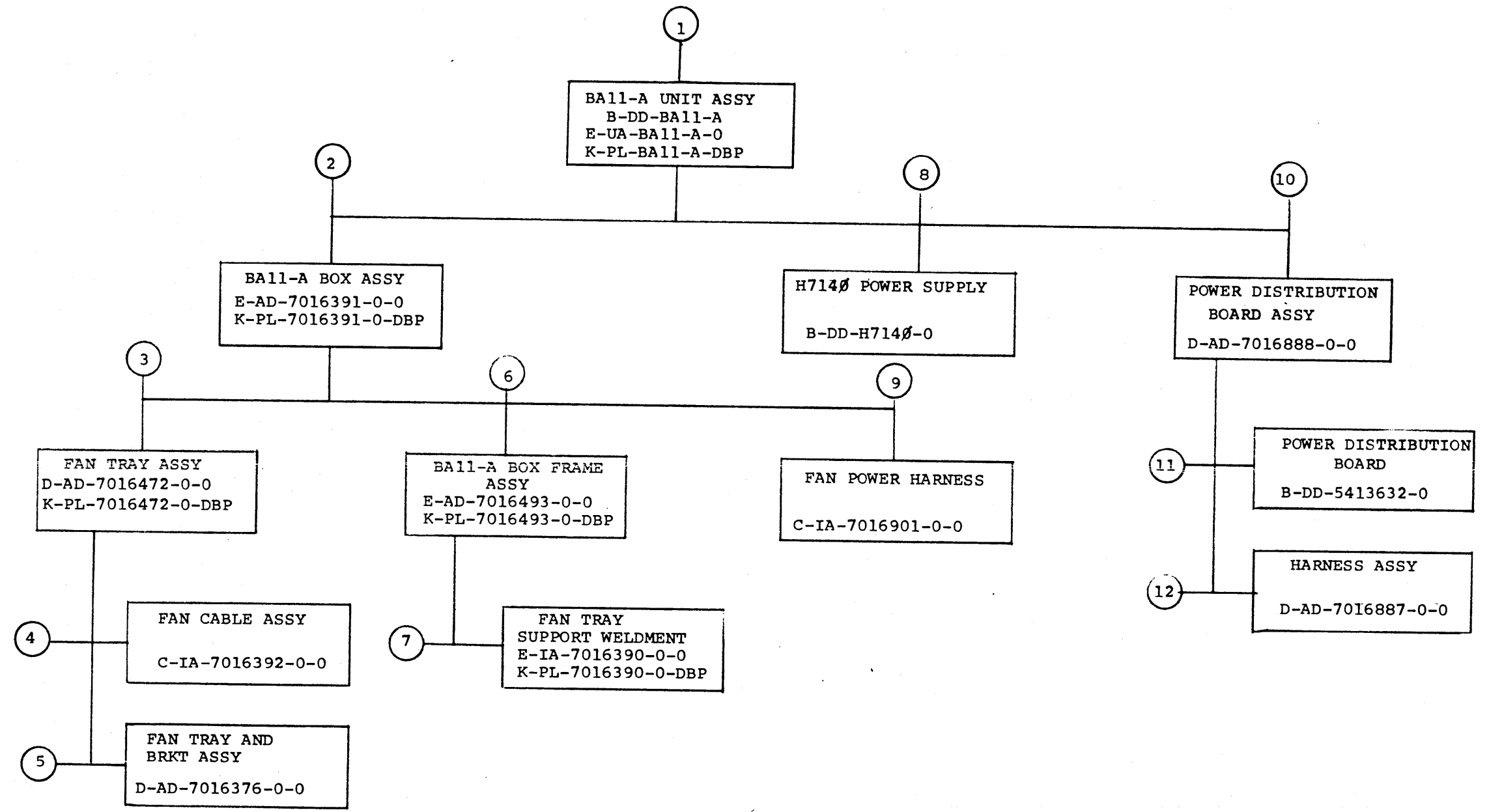
"THIS DRAWING AND SPECIFICATIONS, HEREIN, ARE THE PROPERTY OF DIGITAL EQUIPMENT CORPORATION AND SHALL NOT BE REPRODUCED OR COPIED OR USED IN WHOLE OR IN PART AS THE BASIS FOR THE MANUFACTURE OR SALE OF ITEMS WITHOUT WRITTEN PERMISSION. COPYRIGHT © 1983 DIGITAL EQUIPMENT CORPORATION.

UNIT VARIATIONS		
VAR	TITLE	
BA11-AA	BA11-A BOX W/H714Ø-AA PS, 12ØV	
BA11-AB	BA11-A BOX W/H714Ø-AB PS, 24ØV	
BA11-AE	} SEE B-DD-BA11-AE	
BA11-AF		EXPANDER
BA11-AL		A-BOX
BA11-AM		
BA11-AS	BA11-A BOX W/H714Ø-DA P.S., 12ØV	
BA11-AT	BA11-A BOX W/H714Ø-DB P.S., 24ØV	

REVISIONS	REV.	A	B
	CHANGE NO.	BA11-A TWØØ1	BA11-A MLØØ2
	CHK	MMA	7-83

USED ON OPTION/MODEL	DRN. JOHN NAGLE	DATE 5/1/79
11/44	CHK'D.	DATE
11/24	P. HELG	7/2/79
11/73Ø-A		
	PROJ. ENG.	DATE
	R. GRUDA	7/3/79
	PROD.	DATE
	RALPH EVANS	6/29/79
SHEET 1 OF 3		

digital					
BA11-A UNIT ASSY					
SIZE	CODE	NUMBER	REV		
B	DD	BA11-A	B		
DIST.					



TITLE	SHEET 2 OF 3	SIZE	CODE	NUMBER	REV.
BALL-A UNIT ASSY		B	DD	BALL-A	B

FIND NO.	DRAWING NO.	DESCRIPTION	TYPE	FIND NO.	DRAWING NO.	DESCRIPTION	TYPE
1	MP00832	FIELD MAINTENANCE PRINT SET (MP)	-	7	E-AD-7016390-0-0	FAN TRAY SUPPORT WELDMENT	M
	B-TC-Ball-A-1	FIELD MAINTENANCE PRINT SET (TC)	-		E-MD-7421634-0-0	FAN TRAY SUPPORT FRONT	M
	B-DD-Ball-A	Ball-A UNIT ASSY - DWG. DIRECTORY	-		E-MD-7421633-0-0	FAN TRAY SUPPORT REAR	M
	E-UA-Ball-A-0	Ball-A UNIT ASSY	M				
	K-PL-Ball-A-DBP	Ball-A UNIT ASSY - P/L	-				
	D-IA-7426283-0-0	COVER, CABLE COMPARTMENT	M				
				8	B-DD-H7140-0	H7140 POWER SUPPLY - DWG DIRECTORY	-
2	E-AD-7016391-0-0	Ball-A BOX ASSY	M				
	K-PL-7016391-0-DBP	Ball-A BOX ASSY - P/L	-	9	C-IA-7016901-0-0	FAN POWER HARNESS	E/M
	B-MD-7421611-0-0	SLIDE PAWL	M				
	B-MD-7421444-0-0	PLATE, SLIDE NUT	M	10	D-AD-7016888-0-0	POWER DISTRIBUTION BOARD ASSY	E/M
	B-MD-7421612-0-0	BAR, GUIDE MOUNTING	M				
	A-PS-1215848-0-0	CARD GUIDE	M	11	B-DD-5413632-0-0	POWER DISTRIBUTION MODULE	E/M
	A-PS-1216189-0-0	RETRACTOR, SLIDE PAWL	-				
	A-PS-1216190-0-0	SPRING, SLIDE PAUL	M				
				12	D-AD-7016887-0-0	P.D.B. HARNESS ASSY	E/M
3	D-AD-7016472-0-0	FAN TRAY ASSY	E/M				
	K-PL-7016472-0-DBP	FAN TRAY ASSY - P/L	-				
	A-PS-1216563-0-0	FAN, 35V SQ. WAVE	E/M				
4	C-IA-7016392-0-0	FAN CABLE ASSY	E/M				
5	D-AD-7016376-0-0	FAN TRAY & BRACKET ASSY	M				
	D-MD-7421632-0-0	FAN TRAY	M				
	B-MD-7421387-0-0	BRACKET, FAN TRAY CONN	M				
6	E-AD-7016493-0-0	Ball-A BOX FRAME ASSY	M				
	K-PL-7016493-0-DBP	Ball-A BOX FRAME ASSY - P/L	-				
	E-MD-7421631-0-0	SIDE PANEL LEFT	M				
	E-MD-7421441-0-0	CARD CAGE FRONT	M				
	D-MD-7421616-0-0	SPRING BOX LOCK	M				
	E-MD-7421610-0-0	SIDE PANEL RIGHT	M				
	C-MD-7426276-0-0	SUPPORT, COVER CABLE COMPARTMENT	M				

TYPE: E ELECTRICAL  
M MECHANICAL  
E/M ELECTRO/MECHANICAL

digital

TITLE

BALL-A UNIT ASSY

SHEET 3 OF 3

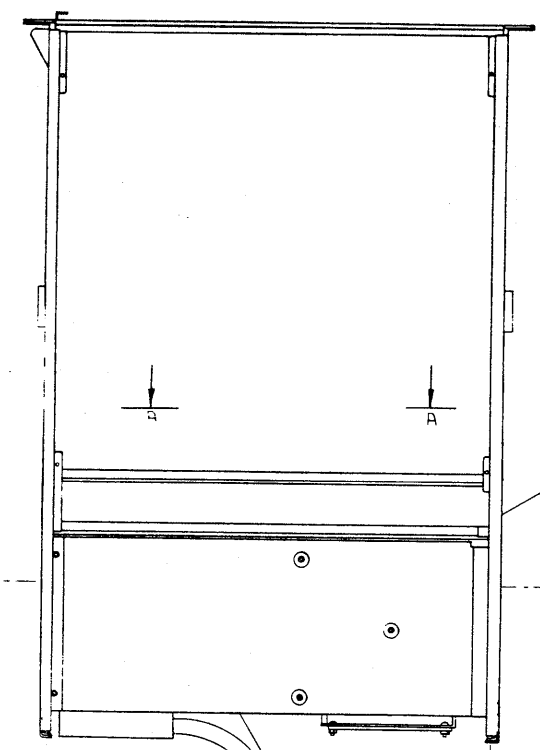
SIZE CODE  
B DD

NUMBER  
BALL-A

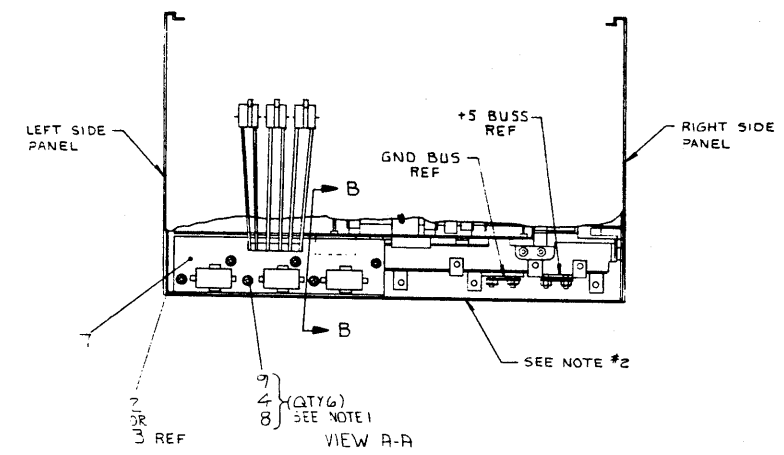
REV  
B

UNLESS OTHERWISE SPECIFIED DIMENSIONS ARE IN INCHES  
 DIMENSIONS TO CENTER UNLESS OTHERWISE SPECIFIED  
 DIMENSIONS TO SURFACE UNLESS OTHERWISE SPECIFIED  
 DIMENSIONS TO EDGE UNLESS OTHERWISE SPECIFIED

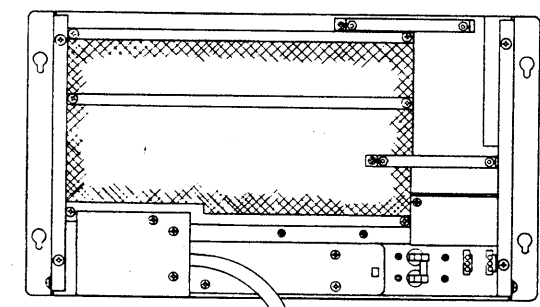
NOTES:  
 1. TORQUE ITEM B TO 22 IN/INCHES.  
 2. POWER SUPPLY BOTTOM COVER MUST BE REMOVED TO INSTALL POWER DISTRIBUTION BOARD (ITEM 7).



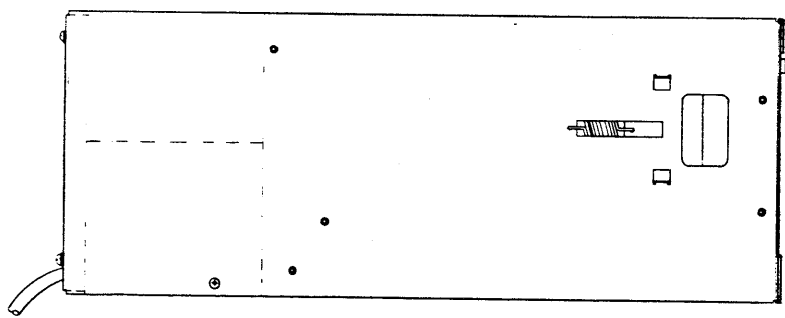
TOP VIEW



SECTION B-B  
 SCALE: 1/1  
 SHOWN WITH POWER SUPPLY  
 BOTTOM COVER REMOVED



REAR VIEW



LEFT SIDE VIEW

REV	DATE	BY	CHKD
A			
B			

SEE OFF SHEET PARTS LIST  
 K-PL BAI-A-DBP (Z3632A)

QUANTITY & VARIATION	DESCRIPTION	DWG PART NO.	ITEM NO.
1	BAI-A UNIT ASSEMBLY	B-DD-BAI-A-O	1

DATE	8 JUN 72	FIRST USED ON	11/44
CHKD	J. L. H.		
ENGR	J. L. H.		
PROJ ENGR	J. L. H.		
PROJ	J. L. H.		
SCALE	1:2	SIZE CODE	E
SHEET	1 OF 1	DIST.	TW 1



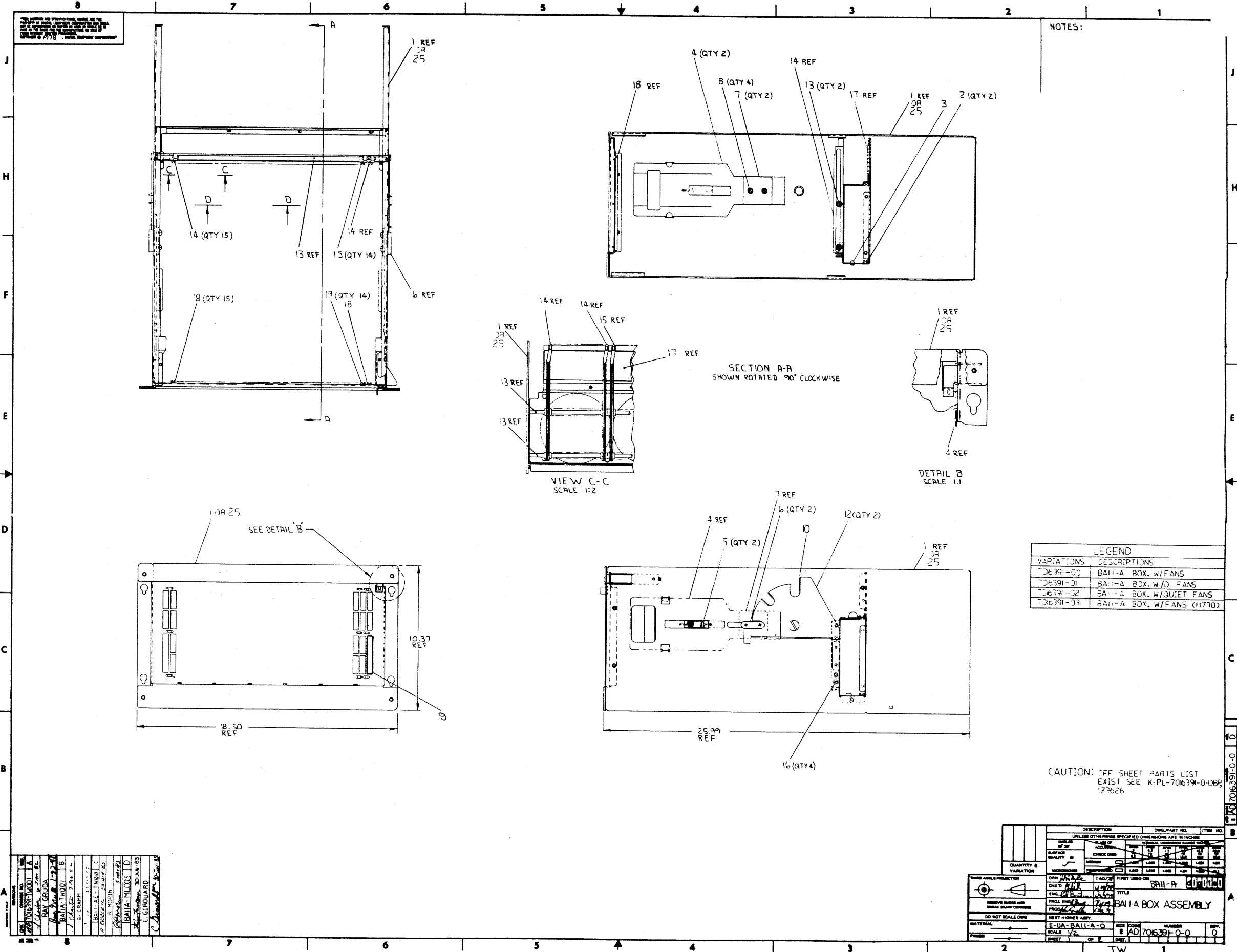
PARTS LIST

LINE	ITEM	DOCUMENT NUMBER	PART NUMBER	DESCRIPTION	QUANTITY PER VARIATION								
					AA	AB	AE	AF	AL	AM	AS	AT	
1	1	E-AD-7016391-0-0	7016391-00	BA11 BOX ASSY	1	1	-	-	-	-	-	-	-
2	2	E-UA-H7140-0-0	H7140-00	*** THIS ITEM IS NOT USED ***	-	-	-	-	-	-	-	-	-
3	3	E-UA-H7140-0-0	H7140-AB	H7140 W 240V LINE CORD,50/60HZ	-	1	-	-	-	-	-	-	-
4	4		9006690-00	WASHER,HELICAL SPLIT SST	12	12	-	-	-	-	12	12	-
5	5		9006418-01	SCREW,TAP PAN PHIL THD RL 8-	6	6	-	-	-	-	6	6	-
6	6	A-SP-3700472-0-0	3700472-00	INSTR PKG COMPUTER(BA11-A)	REF	REF	-	-	-	-	-	-	-
7	7	D-AD-7016888-0-0	7016888-00	POWER DIST. JUMPER ASSY	1	1	-	-	-	-	1	1	-
8	8		9006039-01	SCREW,MACH PAN PHIL 8-	6	6	-	-	-	-	6	6	-
9	9		9006661-00	WASHER,FLAT SST	6	6	-	-	-	-	6	6	-
10	10	E-AD-7016391-0-0	7016391-03	BA11-A BOX ASSY	-	-	-	-	-	-	1	1	-
11	11	E-UA-H7140-0-0	H7140-DA	H7140 EXCEPT +12V/-15V BATT,120V	-	-	-	-	-	-	1	-	-
12	12	E-UA-H7140-0-0	H7140-DB	H7140 EXCEPT +12V/-15V BATT,240V	-	-	-	-	-	-	-	1	-
13	13	D-IA-7426283-0-0	7426283-01	COVER,CABLE COMPARTMENT	-	-	-	-	-	-	-	-	1
14	14		9009701-00	SCREW,SEMS PAN PHIL 6-	-	-	-	-	-	-	1	1	-
15	15	B-DD-BA11-AE	0BA11-AE	10.5" EXPANSION BOX W H7140-BA P	-	-	REF	REF	REF	REF	-	-	-
16	16	E-UA-H7140-0-0	H7140-AA	H7140 W 120V LINE CORD,50/60HZ	1	-	-	-	-	-	-	-	-

REVISION HISTORY			BASIC PART NO: 0BA11		DRN: S. CHARTIER	DATE: 16-APR-82	D I G I T A L			
ENG	ECO NUMBER	REV	SECTION A OF A	CHK'D: T. MCCULLOUGH	DATE: 16-APR-82	TITLE		PARTS LIST		
	INITIAL	A	SECTION VARIATION INDEX	DES. ENG.: R. BOUDREAU	DATE: 16-APR-82	BA11-A UNIT ASSY				
RM	BA11-A-ML002	B	[A] AA,AB,AE,AF,AL,AM, AS,AT	RESP. ENG.: R. BOUDREAU	DATE: 16-APR-82	DOCUMENT NUMBER				
			[B]	MFG. ENG.: J. GALLANT	DATE: 16-APR-82	SIZE	CODE	NUMBER	REV	
			[C]	ASSEMBLY NUMBER:	TOP DOCUMENT NUMBER:	K	PL	BA11-A-DBP	B	
			[D]	E-UA-BA11-A-0				FILE NAME:	EDIT #	
			[E]					Z36308.PLS	6	
			[F]							

"THIS DRAWING AND SPECIFICATIONS HEREIN, ARE THE PROPERTY OF DIGITAL EQUIPMENT CORPORATION AND SHALL NOT BE REPRODUCED OR COPIED OR USED IN WHOLE OR IN PART AS THE BASIS FOR THE MANUFACTURE OR SALE OF ITEMS WITHOUT WRITTEN PERMISSION. COPYRIGHT (C) 1983. DIGITAL EQUIPMENT CORPORATION"

CHK HH 13



NOTES:

LEGEND	
VARIATIONS	DESCRIPTIONS
706391-00	BA11-A BOX, W/FANS
706391-01	BA11-A BOX, W/O FANS
706391-02	BA11-A BOX, W/QUIET FANS
706391-03	BA11-A BOX, W/FANS (11730)

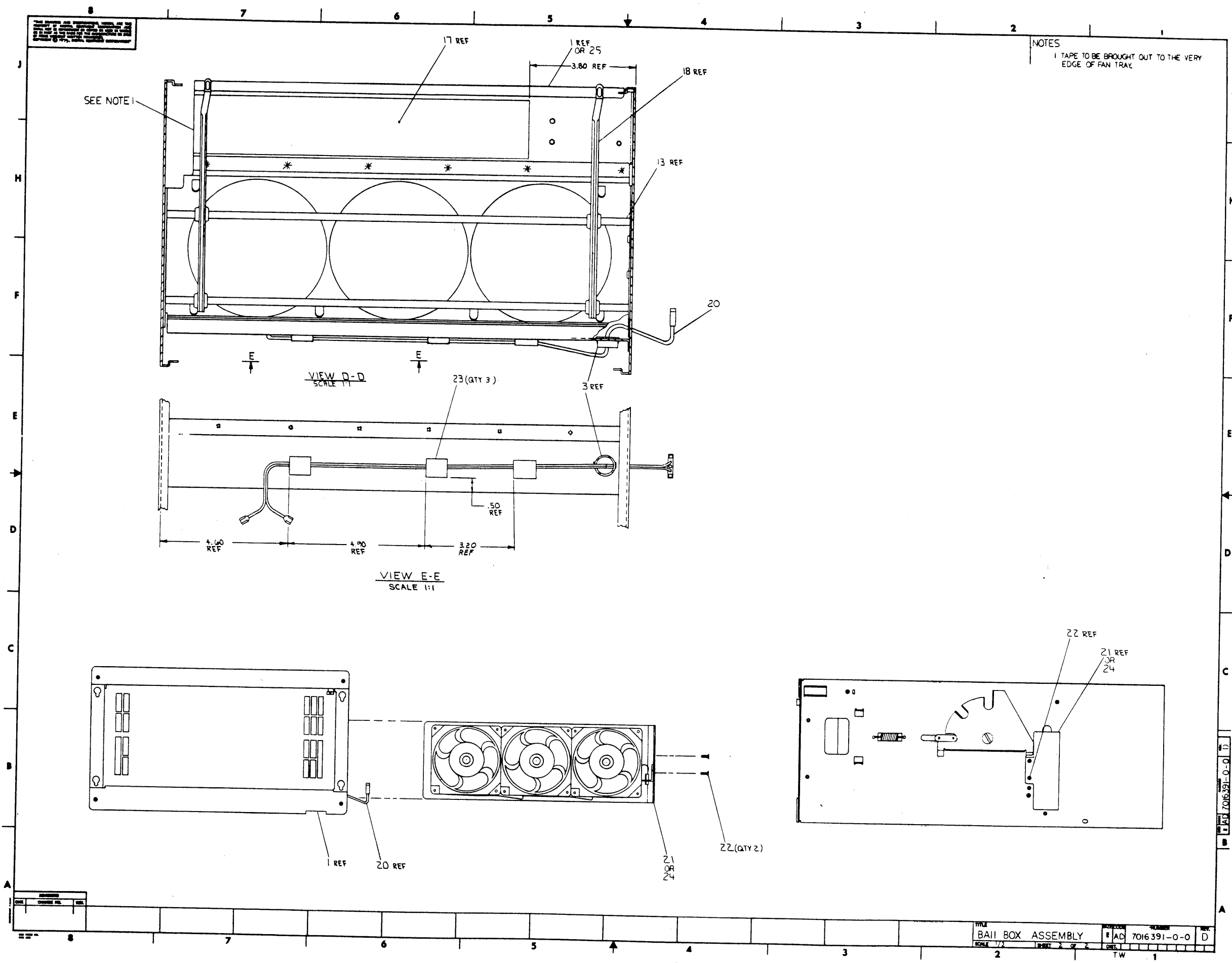
CAUTION: OFF SHEET PARTS LIST  
EXIST SEE K-PL-706391-0-DBB  
127626

706391-00	BA11-A BOX, W/FANS	1
706391-01	BA11-A BOX, W/O FANS	1
706391-02	BA11-A BOX, W/QUIET FANS	1
706391-03	BA11-A BOX, W/FANS (11730)	1
706391-04	BA11-A BOX, W/FANS (11730)	1
706391-05	BA11-A BOX, W/FANS (11730)	1
706391-06	BA11-A BOX, W/FANS (11730)	1
706391-07	BA11-A BOX, W/FANS (11730)	1
706391-08	BA11-A BOX, W/FANS (11730)	1
706391-09	BA11-A BOX, W/FANS (11730)	1
706391-10	BA11-A BOX, W/FANS (11730)	1
706391-11	BA11-A BOX, W/FANS (11730)	1
706391-12	BA11-A BOX, W/FANS (11730)	1
706391-13	BA11-A BOX, W/FANS (11730)	1
706391-14	BA11-A BOX, W/FANS (11730)	1
706391-15	BA11-A BOX, W/FANS (11730)	1
706391-16	BA11-A BOX, W/FANS (11730)	1
706391-17	BA11-A BOX, W/FANS (11730)	1
706391-18	BA11-A BOX, W/FANS (11730)	1
706391-19	BA11-A BOX, W/FANS (11730)	1
706391-20	BA11-A BOX, W/FANS (11730)	1
706391-21	BA11-A BOX, W/FANS (11730)	1
706391-22	BA11-A BOX, W/FANS (11730)	1
706391-23	BA11-A BOX, W/FANS (11730)	1
706391-24	BA11-A BOX, W/FANS (11730)	1
706391-25	BA11-A BOX, W/FANS (11730)	1

DATE	7/2/54	DESCRIPTION	BA11-A BOX ASSEMBLY	QTY	1
BY	W. J. BROWN	CHK'D	W. J. BROWN	DATE	7/2/54
APP'D	W. J. BROWN	PROJ. ENGR.	W. J. BROWN	DATE	7/2/54
CHECKED	W. J. BROWN	PROJ. ENGR.	W. J. BROWN	DATE	7/2/54
SCALE	1/2	SCALE	1/2	SCALE	1/2
SHEET	1	SHEET	1	SHEET	1

K-PL-706391-0-0

TW



THIS DRAWING IS THE PROPERTY OF THE U.S. GOVERNMENT AND IS LOANED TO YOU BY THE U.S. AIR FORCE. IT IS TO BE USED FOR THE PURPOSES SPECIFIED IN THE CONTRACT. IT IS TO BE RETURNED TO THE U.S. AIR FORCE AT THE END OF THE PROJECT.

NOTES  
 1 TAPES TO BE BROUGHT OUT TO THE VERY EDGE OF FAN TRAY

SEE NOTE 1

VIEW D-D  
 SCALE 1:1

VIEW E-E  
 SCALE 1:1

TITLE		7016391-0-0		REV
BAIT BOX ASSEMBLY		AD		D
SCALE	1/2	SHEET	2 OF 2	DATE
				TW

7016391-0-0 D

DIGITAL EQUIPMENT CORPORATION PARTS LIST				QUANTITY / VARIATION										NOTES:				
MADE BY J. NAGLE DATE 8 JUNE 1979		CHECKED DATE <i>[Signature]</i> 6/29/79		SECTION														
ENG <i>Ray</i> DATE 6/24/79		PROD <i>John Conella</i> DATE 6 JUL-79		ISSUED SECTION														
ITEM NO.	DRAWING NO.	PART NO.	DESCRIPTION	7016391-0-0	7016391-1-0													REF DESIGNATION
1	E-IA-7016493-0-0		BA11 BOX FRAME ASSY	1	1													
2		9010107-00	CARD GUIDE (FAN TRAY)	2	2													
3		9007783-00	SNAP BUSHING	1	1													
4		1216189	RETRACTOR, SLIDE PAWL	2	2													
5		1216190	SPRING, SLIDE PAWL	2	2													
6	B-MD-7421611-0-0		SLIDE PAWL	2	2													
7	B-MD-7421444-0-0		PLATE, SLIDE NUT	2	2													
8		1216785	SEMS SCREW, PHIL TRUSS HD #10-32X.437 INT TOOTH	4	4													
9		9007935-00	GROMMET, CATAPILLER TYPE 5.70 INCHES	1	1													
10	D-MD-7421613-0-0		PLATE, SLIDE INDEX, RIGHT HAND	1	1													
11	D-MD-7421613-0-1		PLATE, SLIDE INDEX, LEFT HAND	1	1													
12		1216197	PIVOT SCREW	2	2													
13	B-MD-7421612-0-0		BAR, GUIDE MOUNTING	2	2													
14		1215848-0	CARD GUIDE (NATURAL)	15	15													
15		1215848-1	CARD GUIDE (BLACK)	14	14													
16		9010118-00	SCREW, NYLOCK 100° C SINK PHLP HD .31X#10-32	4	4													
17		9009087	FOAM TAPE, .125 X 2.10 X 12"	1	1													
18		1212405-0	CARD GUIDE (SNAP IN) WHITE	15	15													
19		1212405-10	CARD GUIDE (SNAP IN) BLACK	14	14													
20	C-IA-7016901-0-0		FAN POWER HARNESS	1	-													
21	D-AD-7016472-0-0		FAN TRAY ASSY	1	-													
22		9010120-00	SCREW 6-32 X .187 NYLOCK	2	-													
23		9009636-00	CABLE CLAMP	3	3													

E.C.O. NO.  
TWO 01

"THIS DRAWING AND SPECIFICATIONS, HEREIN, ARE THE PROPERTY OF DIGITAL EQUIPMENT CORPORATION AND SHALL NOT BE REPRODUCED OR COPIED OR USED IN WHOLE OR IN PART AS THE BASIS FOR THE MANUFACTURE OR SALE OF ITEMS WITHOUT WRITTEN PERMISSION. COPYRIGHT © 1979 DIGITAL EQUIPMENT CORPORATION"

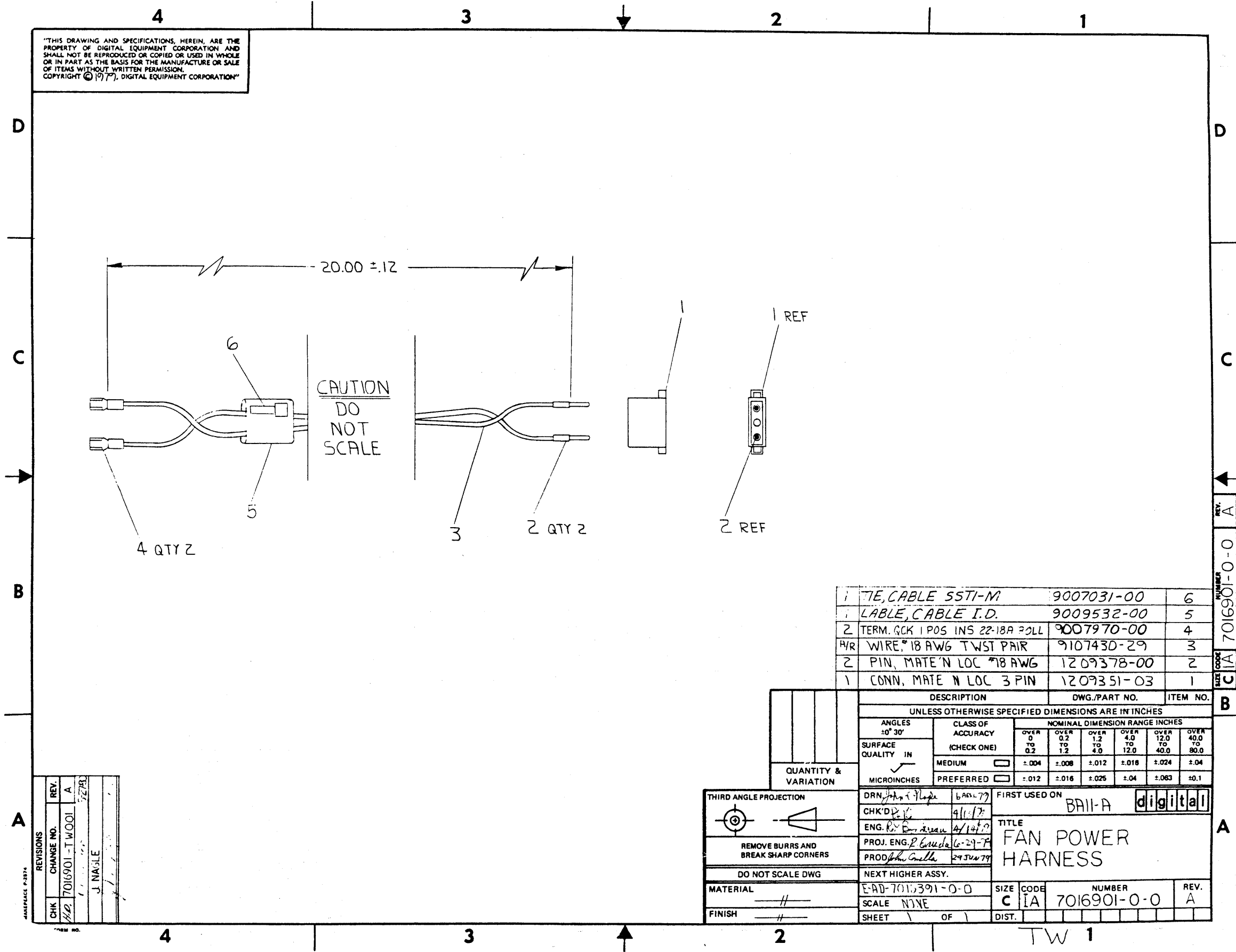
TITLE  
BA11 BOX ASSEMBLY

ASSY NO.  
E-AD-7016391-0-0  
SHEET 1 OF 1

SIZE CODE  
B PL  
NUMBER  
7016391-0-0  
INSERTION PARTS LIST DATA BASE REV

REV.  
A

"THIS DRAWING AND SPECIFICATIONS, HEREIN, ARE THE PROPERTY OF DIGITAL EQUIPMENT CORPORATION AND SHALL NOT BE REPRODUCED OR COPIED OR USED IN WHOLE OR IN PART AS THE BASIS FOR THE MANUFACTURE OR SALE OF ITEMS WITHOUT WRITTEN PERMISSION. COPYRIGHT © (1977), DIGITAL EQUIPMENT CORPORATION"



1	TE, CABLE SSTI-M	9007031-00	6
1	CABLE, CABLE I.D.	9009532-00	5
2	TERM. GCK 1 POS INS 22-18A P2LL	9007970-00	4
W/R	WIRE, #18 AWG TWST PAIR	9107430-29	3
2	PIN, MATE'N LOC #18 AWG	1209378-00	2
1	CONN, MATE'N LOC 3 PIN	1209351-03	1

DESCRIPTION		DWG./PART NO.		ITEM NO.			
UNLESS OTHERWISE SPECIFIED DIMENSIONS ARE IN INCHES							
ANGLES ±0° 30'	CLASS OF ACCURACY (CHECK ONE)	NOMINAL DIMENSION RANGE INCHES					
		OVER 0 TO 0.2	OVER 0.2 TO 1.2	OVER 1.2 TO 4.0	OVER 4.0 TO 12.0	OVER 12.0 TO 40.0	OVER 40.0 TO 80.0
SURFACE QUALITY IN	MEDIUM	±.004	±.008	±.012	±.016	±.024	±.04
	PREFERRED	±.012	±.016	±.025	±.04	±.063	±.1
MICROINCHES							
THIRD ANGLE PROJECTION		DRN: John P. Lopez 6/24/77		FIRST USED ON: BAI1-A digital			
REMOVE BURRS AND BREAK SHARP CORNERS		CHK'D: [Signature] 9/11/77		TITLE: FAN POWER HARNESS			
DO NOT SCALE DWG		PROJ. ENG. P. Guedes 6-29-77		PROD. John Guedes 29 JUL 77			
MATERIAL		NEXT HIGHER ASSY.		SIZE CODE NUMBER REV.			
FINISH		E-AD-7016391-0-0		C IA 7016901-0-0 A			
		SCALE NONE		SHEET 1 OF 1			
		DIST.		TW 1			

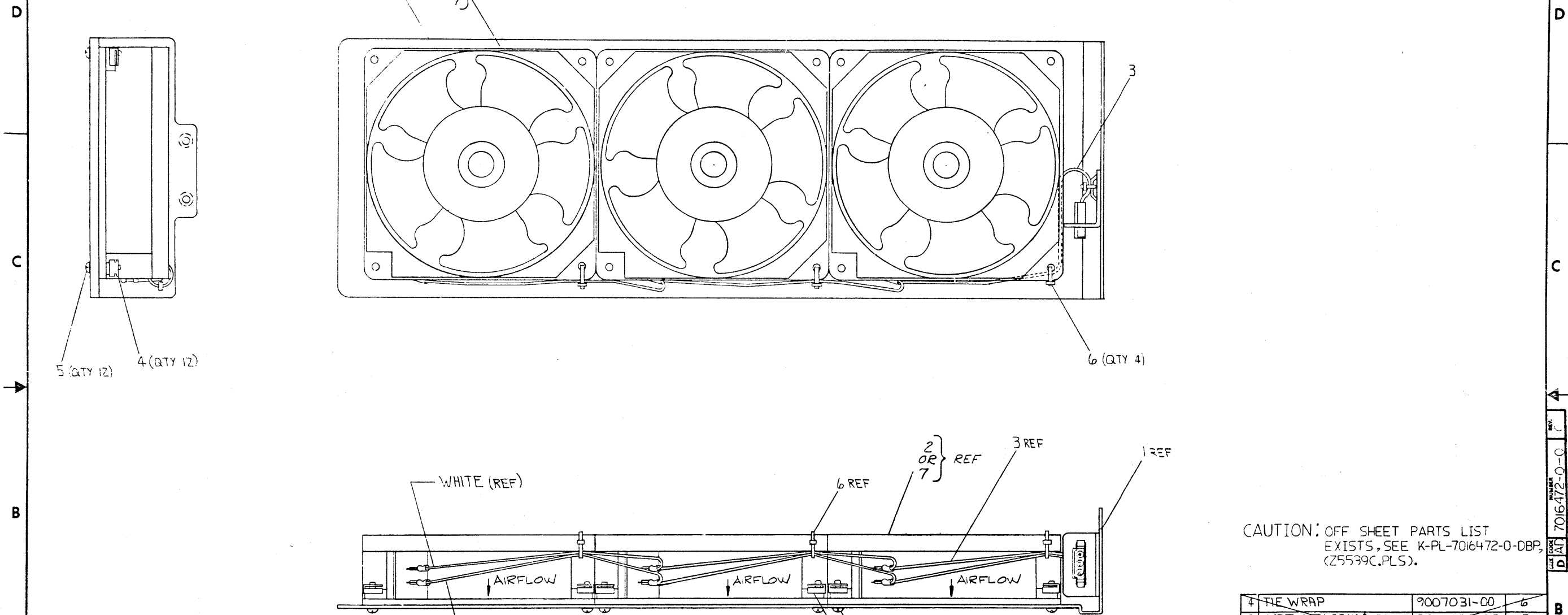
REVISIONS	CHANGE NO.	REV.
1	7016901-T W001	A
2	7016901-T W002	B
3	J. NASILE	

ANSI Z39-18

0-0-2259102 2

THIS DRAWING AND SPECIFICATIONS HEREIN ARE THE PROPERTY OF DIGITAL EQUIPMENT CORPORATION AND SHALL NOT BE REPRODUCED OR COPIED OR USED IN WHOLE OR IN PART AS THE BASIS FOR THE MANUFACTURE OR SALE OF ANYS WITHOUT WRITTEN PERMISSION. COPYRIGHT © 1974, DIGITAL EQUIPMENT CORPORATION

LEGEND	
PART NUMBER	VAR.
7016472-00	110 CFM (35V)
7016472-01	117 CFM (35V)



CAUTION: OFF SHEET PARTS LIST EXISTS, SEE K-PL-7016472-0-DBP, (25539C.PLS).

DESCRIPTION	DWG./PART NO.	ITEM NO.
4 TIE WRAP	9007031-00	6
12 SCREW TRUSS HD 6-32x.62	9006025-03	5
12 CLIP FAN	9009165-00	4
1 CABLE FAN ASSEMBLY	D-AD-7016392-0-0	3
3 FAN, 35V, 70 HZ, SQ WAVE	1216523-00	2
1 FAN TRAY & BRKT ASSY	D-AD-7016376-0-0	1

ANGLES 30° 20°	CLASS OF ACCURACY	NOMINAL DIMENSION RANGE IN INCHES					
		OVER 0 TO 0.2	OVER 0.2 TO 1.2	OVER 1.2 TO 3.0	OVER 3.0 TO 12.0	OVER 12.0 TO 40.0	OVER 40.0 TO 80.0
SURFACE QUALITY	CHECK ONE!	<input type="checkbox"/>	<input type="checkbox"/>	<input type="checkbox"/>	<input type="checkbox"/>	<input type="checkbox"/>	<input type="checkbox"/>
IN	MEDIUM	±.004	±.008	±.012	±.018	±.024	±.04
MICROINCHES	PREFERRED	±.012	±.018	±.028	±.04	±.063	±.1

THIRD ANGLE PROJECTION	DRN. <i>[Signature]</i> 1/15/73	FIRST USED ON	BAIL-A
REMOVE BURRS AND BREAK SHARP CORNERS	CHK'D <i>[Signature]</i> 1/15/73	TITLE	FAN TRAY ASSEMBLY
DO NOT SCALE DWG	PROJ. ENG. <i>[Signature]</i> 1/16/73	SIZE	D
MATERIAL	PROD. <i>[Signature]</i> 1/16/73	NUMBER	7016472-0-0
FINISH	SCALE 1:1	DIST.	C
	SHEET 1 OF 1		

REV.	DESCRIPTION
A	W.R. HALL
B	W.R. HALL
C	W.R. HALL
D	R. MORIN

AUTOMATED BY PRTLST.4Q(50)

PARTS LIST

SHEET A1 OF A1

LINE	ITEM	DOCUMENT NUMBER	PART NUMBER	DESCRIPTION	QUANTITY PER VARIATION	
					00	01
1	1	D-AD-7016376-0-0	7016376-00	FAN TRAY + BRACKET ASSY	1	1
2	2		1216563-00	FAN,TUBE AXIAL 4.5" 110CFM 35V	3	-
3	3	D-IA-7016392-0-0	7016392-00	FAN-HARNESS ASSY	1	1
4	4		9009165-00	CLIP, FAN MOUNTING (12-05033 FAN	12	12
5	5		9006023-03	SCREW,MACH TRUSS PHIL 6-	12	12
6	6		9007031-00	TIE,CABLE BUNDL.DIA 0- 3/4"=101	4	4
7	7		1216563-01	FAN,TUBE AXIAL 4.5" 117CFM 35V	-	3

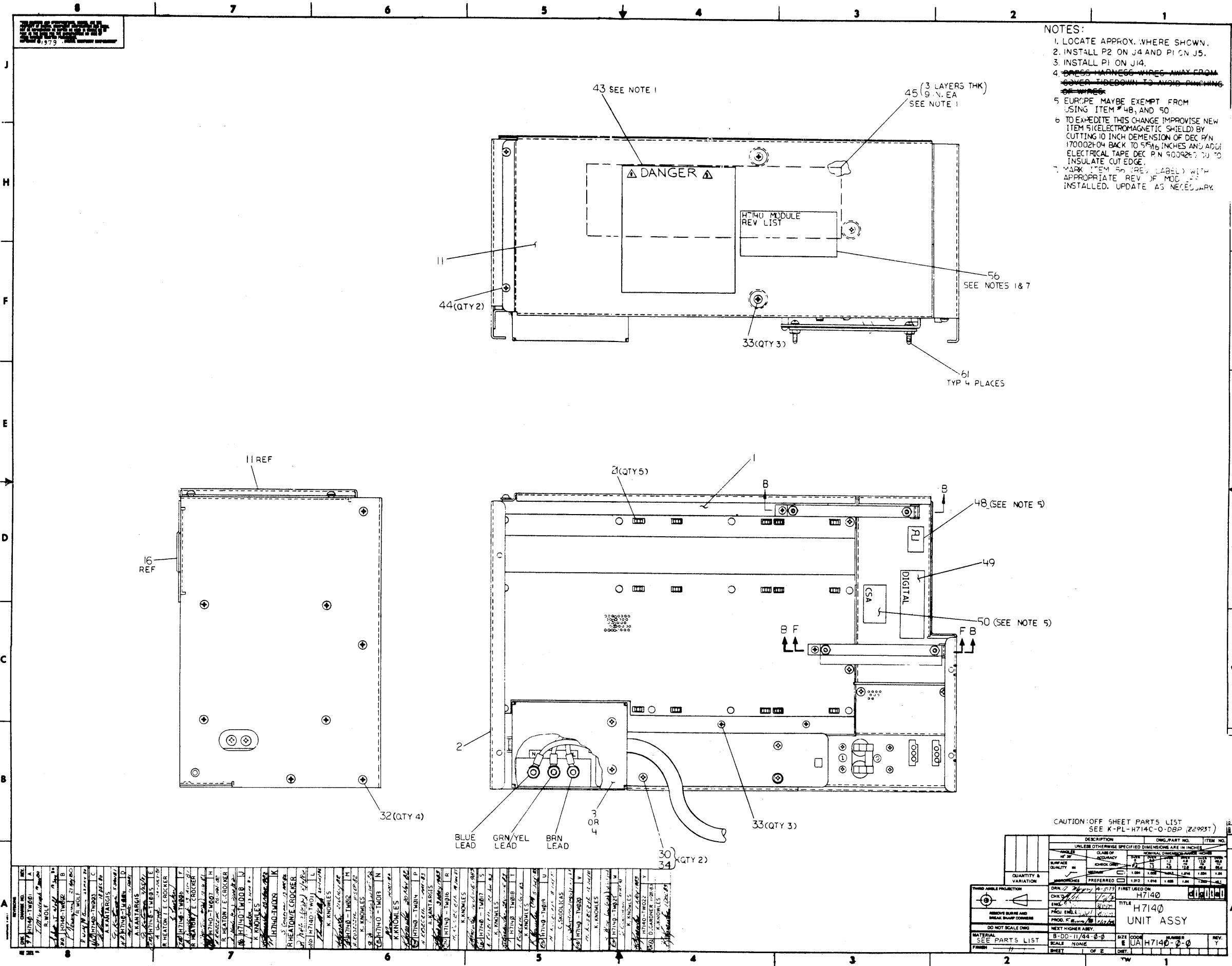
REVISION HISTORY			BASIC PART NO: 7016472		DRN: A.RUSZCZYK		DATE: 26-APR-83		D I G I T A L			
ENG	ECO NUMBER	REV	SECTION A OF A	CHK'D:	T.MCCULLOUGH	DATE:	26-APR-83	TITLE		PARTS LIST		
	INITIAL	C	SECTION VARIATION INDEX					FAN TRAY ASSEMBLY				
			[A] 00.01	DES.ENG.:	R.BOUDREAU	DATE:	26-APR-83	DOCUMENT NUMBER				
			[B]	RESP.ENG.:	R.MORIN	DATE:	26-APR-83	SIZE	CODE	NUMBER	REV	
			[C]	MFG.ENG.:	J.AVILES	DATE:	26-APR-83	K	PL	7016472-0-DBP	C	
			[D]	ASSEMBLY NUMBER:	D-AD-7016472-0-0	TOP DOCUMENT NUMBER:	E-AD-7016391-0-0	FILE NAME:		Z5539C.PLS	EDIT #	5
			[E]	"THIS DRAWING AND SPECIFICATIONS HEREIN, ARE THE PROPERTY OF DIGITAL EQUIPMENT CORPORATION AND SHALL NOT BE REPRODUCED OR COPIED OR USED IN WHOLE OR IN PART AS THE BASIS FOR THE MANUFACTURE OR SALE OF ITEMS WITHOUT WRITTEN PERMISSION. COPYRIGHT (C) 1983. DIGITAL EQUIPMENT CORPORATION "								
			[F]									











- NOTES:
1. LOCATE APPROX. WHERE SHOWN.
  2. INSTALL P2 ON J4 AND P1 ON J5.
  3. INSTALL P1 ON J14.
  4. ~~CROSS HARNESS WIRES AWAY FROM COVER TIE-DOWN TO AVOID PINNING OF WIRES.~~
  5. EUROPE MAYBE EXEMPT FROM USING ITEM #48, AND 50.
  6. TO EXPEDITE THIS CHANGE IMPROVISE NEW ITEM 51 (ELECTROMAGNETIC SHIELD) BY CUTTING 10 INCH DIMENSION OF DEC P/N 1700021-04 BACK TO 5 5/16 INCHES AND ADJ. ELECTRICAL TAPE DEC P/N 90092-01 TO INSULATE CUT EDGE.
  7. MARK ITEM 50 (REV LABEL) WITH APPROPRIATE REV OF MOD. IF INSTALLED. UPDATE AS NECESSARY.

REV	DATE	BY	CHKD	DESCRIPTION
1	11/14/79	T. WOLF		INITIAL DESIGN
2	11/14/79	T. WOLF		REVISED FOR MANUFACTURE
3	11/14/79	T. WOLF		REVISED FOR MANUFACTURE
4	11/14/79	T. WOLF		REVISED FOR MANUFACTURE
5	11/14/79	T. WOLF		REVISED FOR MANUFACTURE
6	11/14/79	T. WOLF		REVISED FOR MANUFACTURE
7	11/14/79	T. WOLF		REVISED FOR MANUFACTURE
8	11/14/79	T. WOLF		REVISED FOR MANUFACTURE
9	11/14/79	T. WOLF		REVISED FOR MANUFACTURE
10	11/14/79	T. WOLF		REVISED FOR MANUFACTURE
11	11/14/79	T. WOLF		REVISED FOR MANUFACTURE
12	11/14/79	T. WOLF		REVISED FOR MANUFACTURE
13	11/14/79	T. WOLF		REVISED FOR MANUFACTURE
14	11/14/79	T. WOLF		REVISED FOR MANUFACTURE
15	11/14/79	T. WOLF		REVISED FOR MANUFACTURE
16	11/14/79	T. WOLF		REVISED FOR MANUFACTURE
17	11/14/79	T. WOLF		REVISED FOR MANUFACTURE
18	11/14/79	T. WOLF		REVISED FOR MANUFACTURE
19	11/14/79	T. WOLF		REVISED FOR MANUFACTURE
20	11/14/79	T. WOLF		REVISED FOR MANUFACTURE
21	11/14/79	T. WOLF		REVISED FOR MANUFACTURE
22	11/14/79	T. WOLF		REVISED FOR MANUFACTURE
23	11/14/79	T. WOLF		REVISED FOR MANUFACTURE
24	11/14/79	T. WOLF		REVISED FOR MANUFACTURE
25	11/14/79	T. WOLF		REVISED FOR MANUFACTURE
26	11/14/79	T. WOLF		REVISED FOR MANUFACTURE
27	11/14/79	T. WOLF		REVISED FOR MANUFACTURE
28	11/14/79	T. WOLF		REVISED FOR MANUFACTURE
29	11/14/79	T. WOLF		REVISED FOR MANUFACTURE
30	11/14/79	T. WOLF		REVISED FOR MANUFACTURE
31	11/14/79	T. WOLF		REVISED FOR MANUFACTURE
32	11/14/79	T. WOLF		REVISED FOR MANUFACTURE
33	11/14/79	T. WOLF		REVISED FOR MANUFACTURE
34	11/14/79	T. WOLF		REVISED FOR MANUFACTURE
35	11/14/79	T. WOLF		REVISED FOR MANUFACTURE
36	11/14/79	T. WOLF		REVISED FOR MANUFACTURE
37	11/14/79	T. WOLF		REVISED FOR MANUFACTURE
38	11/14/79	T. WOLF		REVISED FOR MANUFACTURE
39	11/14/79	T. WOLF		REVISED FOR MANUFACTURE
40	11/14/79	T. WOLF		REVISED FOR MANUFACTURE
41	11/14/79	T. WOLF		REVISED FOR MANUFACTURE
42	11/14/79	T. WOLF		REVISED FOR MANUFACTURE
43	11/14/79	T. WOLF		REVISED FOR MANUFACTURE
44	11/14/79	T. WOLF		REVISED FOR MANUFACTURE
45	11/14/79	T. WOLF		REVISED FOR MANUFACTURE
46	11/14/79	T. WOLF		REVISED FOR MANUFACTURE
47	11/14/79	T. WOLF		REVISED FOR MANUFACTURE
48	11/14/79	T. WOLF		REVISED FOR MANUFACTURE
49	11/14/79	T. WOLF		REVISED FOR MANUFACTURE
50	11/14/79	T. WOLF		REVISED FOR MANUFACTURE
51	11/14/79	T. WOLF		REVISED FOR MANUFACTURE
52	11/14/79	T. WOLF		REVISED FOR MANUFACTURE
53	11/14/79	T. WOLF		REVISED FOR MANUFACTURE
54	11/14/79	T. WOLF		REVISED FOR MANUFACTURE
55	11/14/79	T. WOLF		REVISED FOR MANUFACTURE
56	11/14/79	T. WOLF		REVISED FOR MANUFACTURE
57	11/14/79	T. WOLF		REVISED FOR MANUFACTURE
58	11/14/79	T. WOLF		REVISED FOR MANUFACTURE
59	11/14/79	T. WOLF		REVISED FOR MANUFACTURE
60	11/14/79	T. WOLF		REVISED FOR MANUFACTURE
61	11/14/79	T. WOLF		REVISED FOR MANUFACTURE
62	11/14/79	T. WOLF		REVISED FOR MANUFACTURE
63	11/14/79	T. WOLF		REVISED FOR MANUFACTURE
64	11/14/79	T. WOLF		REVISED FOR MANUFACTURE
65	11/14/79	T. WOLF		REVISED FOR MANUFACTURE
66	11/14/79	T. WOLF		REVISED FOR MANUFACTURE
67	11/14/79	T. WOLF		REVISED FOR MANUFACTURE
68	11/14/79	T. WOLF		REVISED FOR MANUFACTURE
69	11/14/79	T. WOLF		REVISED FOR MANUFACTURE
70	11/14/79	T. WOLF		REVISED FOR MANUFACTURE
71	11/14/79	T. WOLF		REVISED FOR MANUFACTURE
72	11/14/79	T. WOLF		REVISED FOR MANUFACTURE
73	11/14/79	T. WOLF		REVISED FOR MANUFACTURE
74	11/14/79	T. WOLF		REVISED FOR MANUFACTURE
75	11/14/79	T. WOLF		REVISED FOR MANUFACTURE
76	11/14/79	T. WOLF		REVISED FOR MANUFACTURE
77	11/14/79	T. WOLF		REVISED FOR MANUFACTURE
78	11/14/79	T. WOLF		REVISED FOR MANUFACTURE
79	11/14/79	T. WOLF		REVISED FOR MANUFACTURE
80	11/14/79	T. WOLF		REVISED FOR MANUFACTURE
81	11/14/79	T. WOLF		REVISED FOR MANUFACTURE
82	11/14/79	T. WOLF		REVISED FOR MANUFACTURE
83	11/14/79	T. WOLF		REVISED FOR MANUFACTURE
84	11/14/79	T. WOLF		REVISED FOR MANUFACTURE
85	11/14/79	T. WOLF		REVISED FOR MANUFACTURE
86	11/14/79	T. WOLF		REVISED FOR MANUFACTURE
87	11/14/79	T. WOLF		REVISED FOR MANUFACTURE
88	11/14/79	T. WOLF		REVISED FOR MANUFACTURE
89	11/14/79	T. WOLF		REVISED FOR MANUFACTURE
90	11/14/79	T. WOLF		REVISED FOR MANUFACTURE
91	11/14/79	T. WOLF		REVISED FOR MANUFACTURE
92	11/14/79	T. WOLF		REVISED FOR MANUFACTURE
93	11/14/79	T. WOLF		REVISED FOR MANUFACTURE
94	11/14/79	T. WOLF		REVISED FOR MANUFACTURE
95	11/14/79	T. WOLF		REVISED FOR MANUFACTURE
96	11/14/79	T. WOLF		REVISED FOR MANUFACTURE
97	11/14/79	T. WOLF		REVISED FOR MANUFACTURE
98	11/14/79	T. WOLF		REVISED FOR MANUFACTURE
99	11/14/79	T. WOLF		REVISED FOR MANUFACTURE
100	11/14/79	T. WOLF		REVISED FOR MANUFACTURE

CAUTION: OFF SHEET PARTS LIST  
SEE K-PL-H714C-0-DBP (229931)

DESCRIPTION	QTY	PART NO.	ITEM NO.
H7140 UNIT ASSY	1		

UNLESS OTHERWISE SPECIFIED DIMENSIONS ARE IN INCHES

QUANTITY & VARIATION	DESCRIPTION	QTY	PART NO.	ITEM NO.
1	H7140 UNIT ASSY	1		

THIRD ANGLE PROJECTION

DO NOT SCALE DIMS

MATERIAL: SEE PARTS LIST

SCALE: NONE

SHEET: 2 OF 2

DATE: 11/14/79

BY: T. WOLF

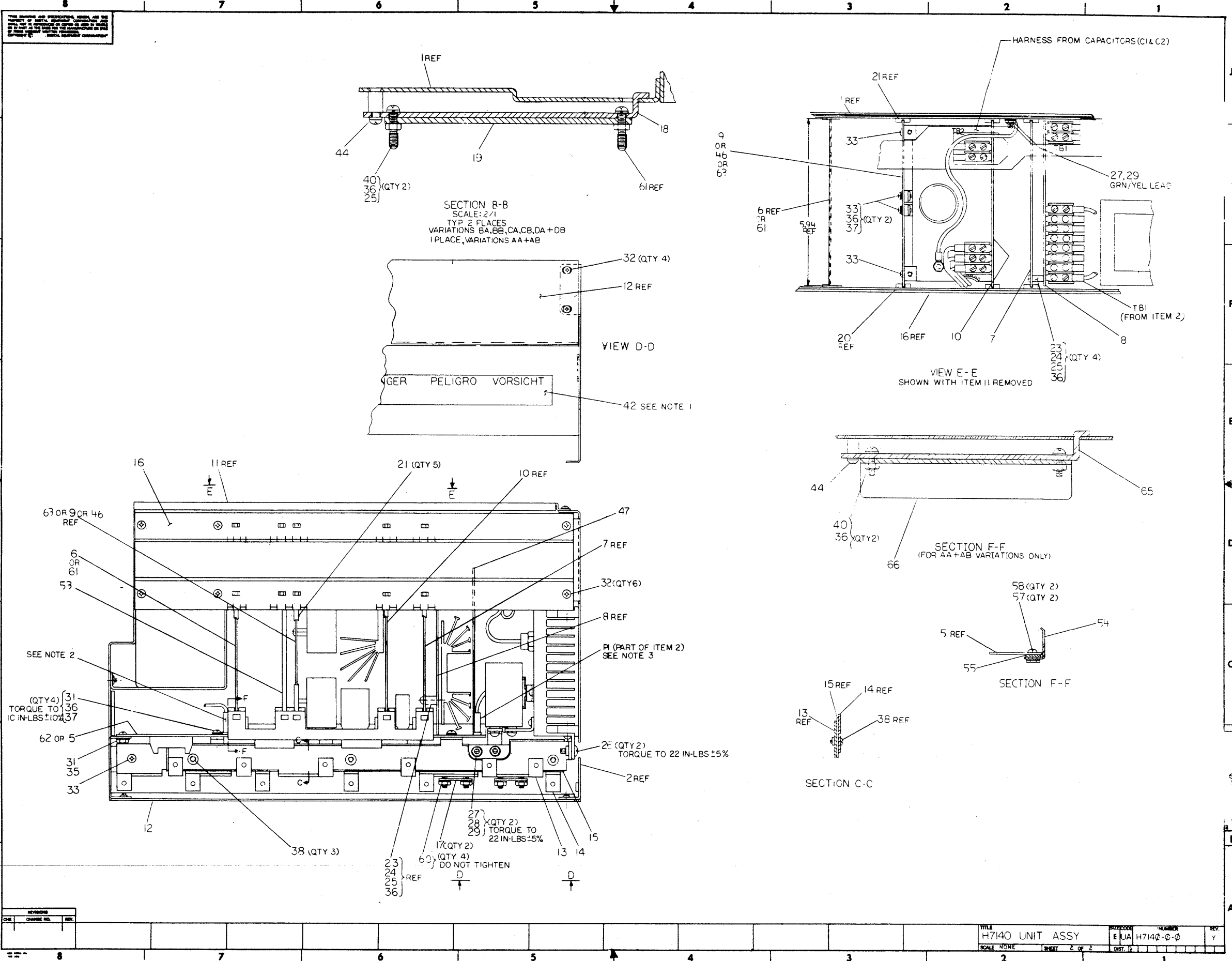
CHKD: [Signature]

ENGR: [Signature]

PROJ. ENGR: [Signature]

PROJ. F. [Signature]

REV. Y



THIS DRAWING AND INFORMATION HEREON ARE THE PROPERTY OF THE UNITED STATES GOVERNMENT AND ARE TO BE USED IN ACCORDANCE WITH THE PROVISIONS OF TITLE 35, U.S.C. 401 AND 402. ANY REPRODUCTION OR TRANSMISSION OF THIS DRAWING OR INFORMATION HEREON IN ANY FORM OR BY ANY MEANS, WITHOUT PERMISSION OF THE UNITED STATES GOVERNMENT IS PROHIBITED.

SECTION 8-B  
SCALE: 2/1  
TYP 2 PLACES  
VARIATIONS BA, BB, CA, CB, DA + DB  
1 PLACE, VARIATIONS AA + AB

VIEW D-D

VIEW E-E  
SHOWN WITH ITEM 11 REMOVED

SECTION F-F  
(FOR AA+AB VARIATIONS ONLY)

SECTION F-F

SECTION C-C

GER PELIGRO VORSICHT

REV	CHG	DESCRIPTION	DATE

TITLE	H7140 UNIT ASSY	SCALE	NONE	SHEET	2 OF 2	REV	Y
DESIGNER	EUA	NUMBER	H7140-0-0	DATE			

LINE	ITEM	DOCUMENT NUMBER	PART NUMBER	DESCRIPTION	QUANTITY PER VARIATION								
					AA	AB	BA	BB	CA	CB	DA	DB	
1	1	E-AD-7016476-0-0	7016476-00	INPUT ASSY.	1	1	1	1	1	1	1	1	1
2	2	E-AD-7016054-0-0	7016054-00	OUTPUT PANEL ASSY.	1	1	1	1	1	1	1	1	1
3	3	D-AD-7016478-0-0	7016478-00	AC CABLE ASSY	1	-	1	-	1	-	1	-	-
4	4	D-AD-7016478-1-0	7016478-01	2201 H7140 AB,AC, CABLE	-	1	-	1	-	1	-	-	1
5	5	E-UA-5413615-0-0	5413615-00	H7140 MOTHER BOARD	1	1	1	1	1	1	1	-	-
6	6	D-UA-5413605-0-0	5413605-00	BIAS AND INTERFACE BOARD FOR 111	1	1	1	1	-	-	-	1	1
7	7	D-UA-5413601-0-0	5413601-00	LOGIC INVERTER BD	1	1	1	1	1	1	1	1	1
8	8	D-UA-5413599-0-0	5413599-00	LOGIC INVERTER BD	1	1	1	1	1	1	1	1	1
9	9	D-UA-5413607-0-0	5413607-00	MEMORY REGULATOR BD	1	1	-	-	-	-	-	-	-
10	10	D-UA-5413603-0-0	5413603-00	MEMORY INVERTER BD	1	1	1	1	1	1	1	1	1
11	11	D-MD-7422396-0-0	7422396-00	TOP COVER	1	1	1	1	1	1	1	1	1
12	12	D-MD-7421436-0-0	7421436-00	COVER	1	1	1	1	1	1	1	1	1
13	13	D-MD-7422042-0-0	7422042-00	45V BUS	1	1	1	1	1	1	1	1	1
14	14	D-MD-7422041-0-0	7422041-00	RETURN BUS	1	1	1	1	1	1	1	1	1
15	15	D-MD-7422044-0-0	7422044-00	BUS INSULATOR	1	1	1	1	1	1	1	1	1
16	16	D-MD-7425385-0-0	7425385-00	SHIELD	1	1	1	1	1	1	1	1	1
17	17	D-MD-7422731-0-0	7422731-00	MOUNTING BRACKET	2	2	2	2	2	2	2	2	2
18	18	C-MD-7423066-0-0	7423066-00	CABLE ROUTING BRKT.	2	2	2	2	2	2	2	2	2
19	19	B-MD-7423067-0-0	7423067-00	CABLE CLAMP	2	2	2	2	2	2	2	2	2
20	20	BLANK		*** THIS ITEM IS NOT USED ***	-	-	-	-	-	-	-	-	-
21	21		1212405-04	GUIDE,CARD,NYLON,NATURAL	10	10	10	10	10	10	10	10	10
22	22	BLANK		*** THIS ITEM IS NOT USED ***	-	-	-	-	-	-	-	-	-
23	23		9006844-00	SPACER,THREADED HEX ALUM 6-3	4	4	4	4	4	4	4	4	4
24	24		9007794-01	SCREW,MACH PAN PHIL 6-	4	4	4	4	4	4	4	4	4
25	25		9008957-00	NUT,HEX 6-32X .246AF SS/N	8	8	8	8	8	8	8	8	8
26	26		9010119-00	SCREW, TRUSS PHIL 10-	2	2	2	2	2	2	2	2	2
27	27		9009005-00	NUT,HEX 10-32X .246AF SS/N	3	3	3	3	3	3	3	3	3
28	28	BLANK		*** THIS ITEM IS NOT USED ***	-	-	-	-	-	-	-	-	-
29	29		9007906-00	WASHER,HELICAL SPLIT STEEL	3	3	3	3	3	3	3	3	3
30	30		9006037-01	SCREW,MACH PAN PHIL 8-	2	2	2	2	2	2	2	2	2

REVISION HISTORY			BASIC PART NO: H7140		DRN: A. MOWRY		DATE: 15-AUG-79		D I G I T A L			
ENG	ECO NUMBER	REV	SECTION A OF A	CHK'D:	R. RILEY	DATE:	17-AUG-79	TITLE		PARTS LIST		
	INITIAL	F	SECTION VARIATION INDEX					H7140 UNIT ASSEMBLY				
!KK	!TWO08	!J	[A] AA,AB,BA,BB,CA,CB,DA,DB									
!RH	!H7140-TWO09	!K	[B]	DES.ENG.:	R. J. WOLF	DATE:	17-AUG-79					
!KK	!H7140-TWO11	!L	[C]	RESP.ENG.:	R. J. WOLF	DATE:	17-AUG-79					
!KK	!H7140-TWO12	!M	[D]	MFG.ENG.:	F. MUNIZ	DATE:	17-AUG-79	SIZE:	CODE:	NUMBER:	REV:	
!KK	!H7140-TWO13	!N	[E]	ASSEMBLY NUMBER:	E-UA-H7140-0-0	TOP DOCUMENT NUMBER:		FILE NAME:	Z2993W.PLS	EDIT #:	11	
!AK	!H7140-TWO14	!P	[F]									
!KK	!H7140-TWO16	!R										
!KK	!H7140-TWO17	!S										
!PP	!H7140-TWO18	!T										
!CS	!H7140-TWO19	!U										
!KK	!H7140-TWO20	!V										
!KK	!H7140-TWO21	!W										

"THIS DRAWING AND SPECIFICATIONS HEREIN, ARE THE PROPERTY OF DIGITAL EQUIPMENT CORPORATION AND SHALL NOT BE REPRODUCED OR COPIED OR USED IN WHOLE OR IN PART AS THE BASIS FOR THE MANUFACTURE OR SALE OF ITEMS WITHOUT WRITTEN PERMISSION. COPYRIGHT (C) 1983. DIGITAL EQUIPMENT CORPORATION "

AUTOMATED BY PRTLST.4Q(50)

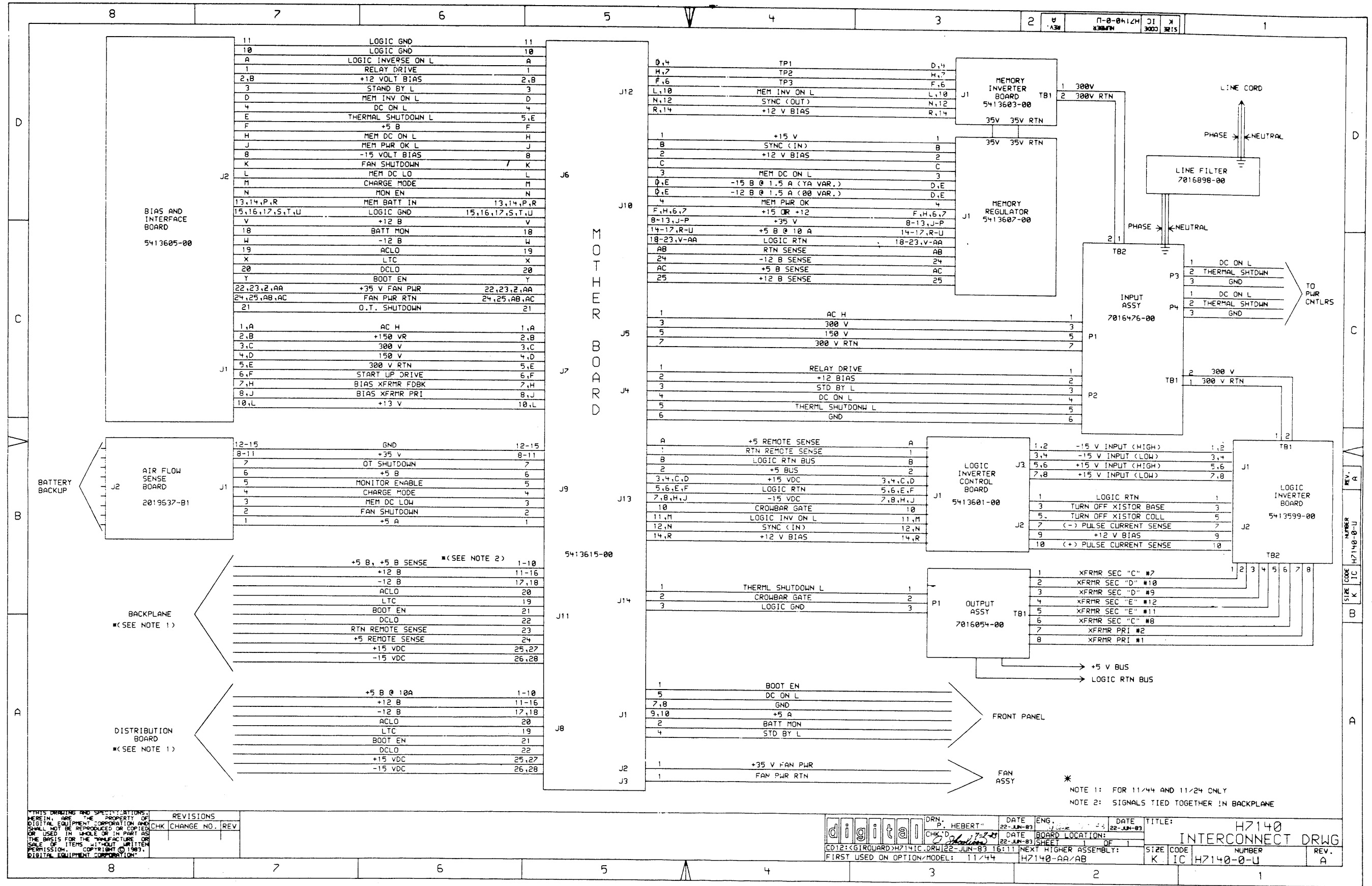
PARTS LIST

SHEET A2 OF A2

LINE	ITEM	DOCUMENT NUMBER	PART NUMBER	DESCRIPTION	QUANTITY PER VARIATION							
					AA	AB	BA	BB	CA	CB	DA	DB
31	31		9006022-01	SCREW,MACH PAN PHIL 6-	5	5	5	5	5	5	5	5
32	32		9009796-00	SCREW,TAP FLAT PHIL THD RL 6-	14	14	14	14	14	14	14	14
33	33		9009708-00	SCREW,TAP PAN PHIL THD RL 6-	11	11	11	11	11	11	11	11
34	34		9006690-00	WASHER,HELICAL SPLIT SST	2	2	2	2	2	2	2	2
35	35		9009243-00	NUT,HEX EXT TOOTH LCKWSHR 6-32	1	1	1	1	1	1	1	1
36	36		9007801-00	WASHER,HELICAL SPLIT SST	14	14	14	14	14	14	14	14
37	37		9006656-00	WASHER,FLAT STEEL	6	6	6	6	6	6	6	6
38	38		9008212-00	SCREW,NYLN PAN SLOT 6-	3	3	3	3	3	3	3	3
39	39	BLANK		*** THIS ITEM IS NOT USED ***	-	-	-	-	-	-	-	-
40	40		9009587-01	SCREW,TAP PAN PHIL THD RL 6-	4	4	4	4	4	4	4	4
41	41	BLANK		*** THIS ITEM IS NOT USED ***	-	-	-	-	-	-	-	-
42	42		3615087-02	LABEL,"DANGER-HIGH CURRENT"	1	1	1	1	1	1	1	1
43	43		3616930-00	LABEL,DANGER STORED HIGH VOLTAGE	1	1	1	1	1	1	1	1
44	44		9009701-00	SCREW,SEMS PAN PHIL 6-	4	4	4	4	4	4	4	4
45	45	(SEE NOTE 1)	9009087-00	FOAM, TAPE, SINGLE SIDED 1/8 THK	0	0	0	0	0	0	0	0
46	46	D-UA-5413607-0-0	5413607-YA	MEMORY INVERTER BD.	-	-	1	1	1	1	-	-
47	47	B-MD-7424586-0-0	7424586-00	INSULATOR, HEATSINK	1	1	1	1	1	1	1	1
48	48		3612063-00	LABEL, ADHESIVE I.D. FOR UL C	1	1	1	1	1	1	1	1
49	49		9009255-01	LABEL, POWER SUPPLY, 2-7/8" LG X	1	1	1	1	1	1	1	1
50	50		3613211-01	DECAL,CLEAR PREPRINTED CSA 1-1/4	1	1	1	1	1	1	1	1
51	51	BLANK		*** THIS ITEM IS NOT USED ***	-	-	-	-	-	-	-	-
52	52	BLANK		*** THIS ITEM IS NOT USED ***	-	-	-	-	-	-	-	-
53	53		2019637-B1	MODULE,AIR FLOW SENSOR (BURNED I	1	1	1	1	-	-	1	1
54	54		7425384-00	BRACKET,LOWER CARD GUIDE	1	1	1	1	1	1	1	1
55	55		7425386-00	INSULATOR,CARD GUIDE BRACKET	1	1	1	1	1	1	1	1
56	56		3617664-00	LABEL,H7140 MODULE REV	1	1	1	1	1	1	1	1
57	57		9006010-01	SCREW,MACH PAN PHIL 4-	2	2	2	2	2	2	2	2
58	58		9006557-00	NUT,HEX EXT TOOTH LCKWSHR 4-40	2	2	2	2	2	2	2	2
59	59		9010164-00	WASHER,FLAT SS	2	2	2	2	2	2	2	2
60	60		9006565-00	NUT,HEX EXT TOOTH LCKWSHR 10-32	4	4	4	4	4	4	4	4
61	61		9009731-00	CAP,WHT. VINYL .112 ID	4	4	4	4	4	4	4	4
62	62		5413605-YA	BIAS & INTERFACE BD	-	-	-	-	1	1	-	-
63	63		5413615-YA	H7140 MOTHER BOARD	-	-	-	-	-	-	1	1
64	64		5413607-YB	MEMORY REGULATOR BOARD	-	-	-	-	-	-	1	1

65 NOTE: 1. ITEM 45, ALL VARIATIONS ARE 2.25.

D	I	G	I	T	A	L	TITLE	H7140 UNIT ASSEMBLY	SECTION A OF A	SIZE	CODE	DOCUMENT NUMBER	REV
CHK	HH	4								K	PL	H7140-0-DBP	W



THIS DRAWING AND SPECIFICATIONS HEREIN ARE THE PROPERTY OF DIGITAL EQUIPMENT CORPORATION AND SHALL NOT BE REPRODUCED OR COPIED OR USED IN WHOLE OR IN PART AS THE BASIS FOR THE MANUFACTURE OR SALE OF ITEMS WITHOUT WRITTEN PERMISSION. COPYRIGHT © 1983, DIGITAL EQUIPMENT CORPORATION.

REV.	NO.	DESCRIPTION
1	1	INITIAL ISSUE

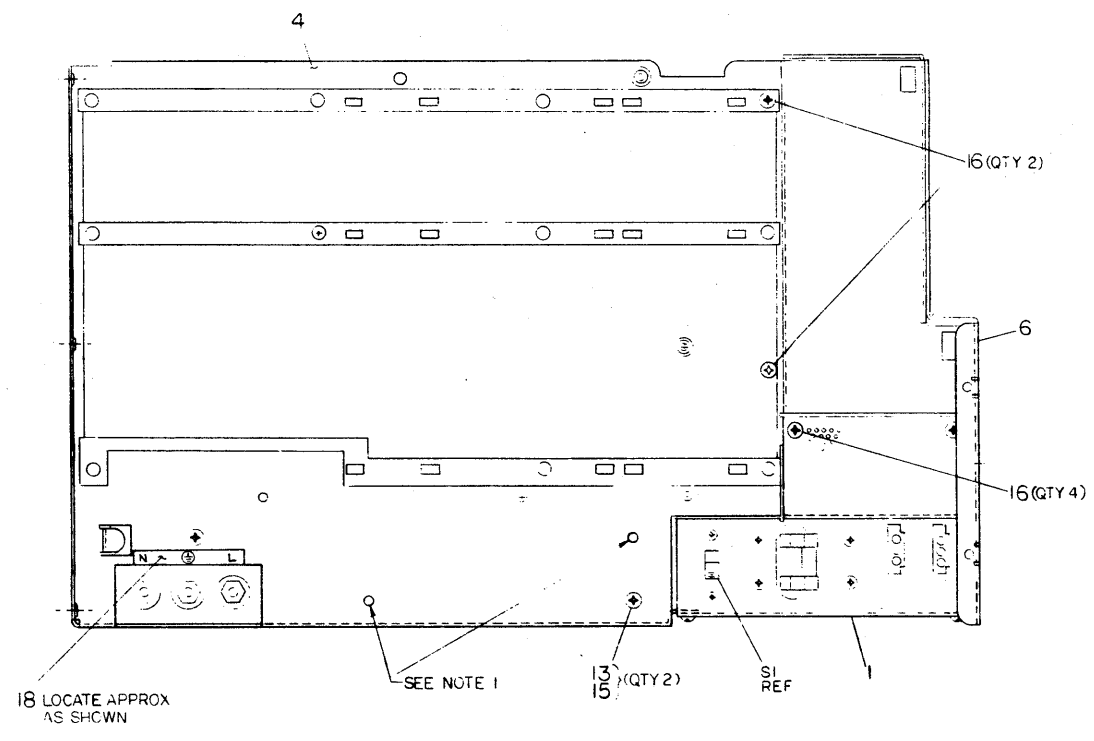
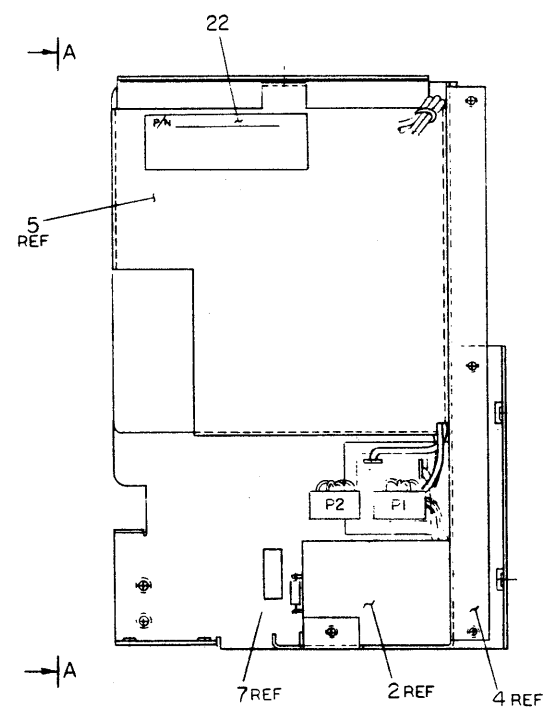
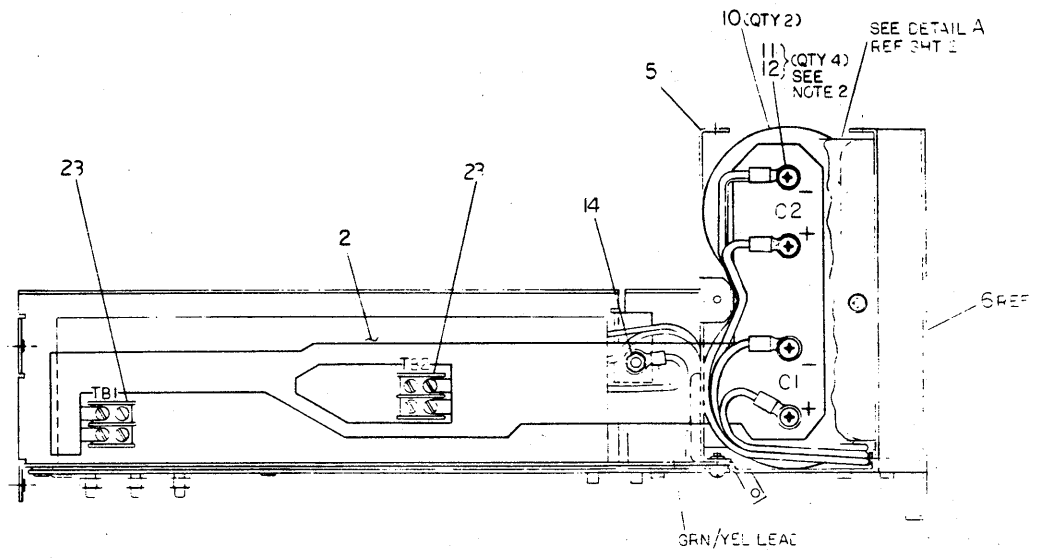
CHK	CHANGE NO.	REV.

DRN.	HEBERT	DATE	22-JUN-83	ENG.		DATE	22-JUN-83	TITLE:	H7140
CHK'D		DATE		BOARD LOCATION:		SHEET	1	OF	1
FIRST USED ON OPTION/MODEL:		11/44		NEXT HIGHER ASSEMBLY:		H7140-AA/AB		SIZE	K IC
								NUMBER	H7140-0-U
								REV.	A

**digit**

1979

NOTE  
 1. DO NOT INSTALL HARDWARE IN THESE HOLES.  
 2. TORQUE TO 16 IN-LS ±10%.

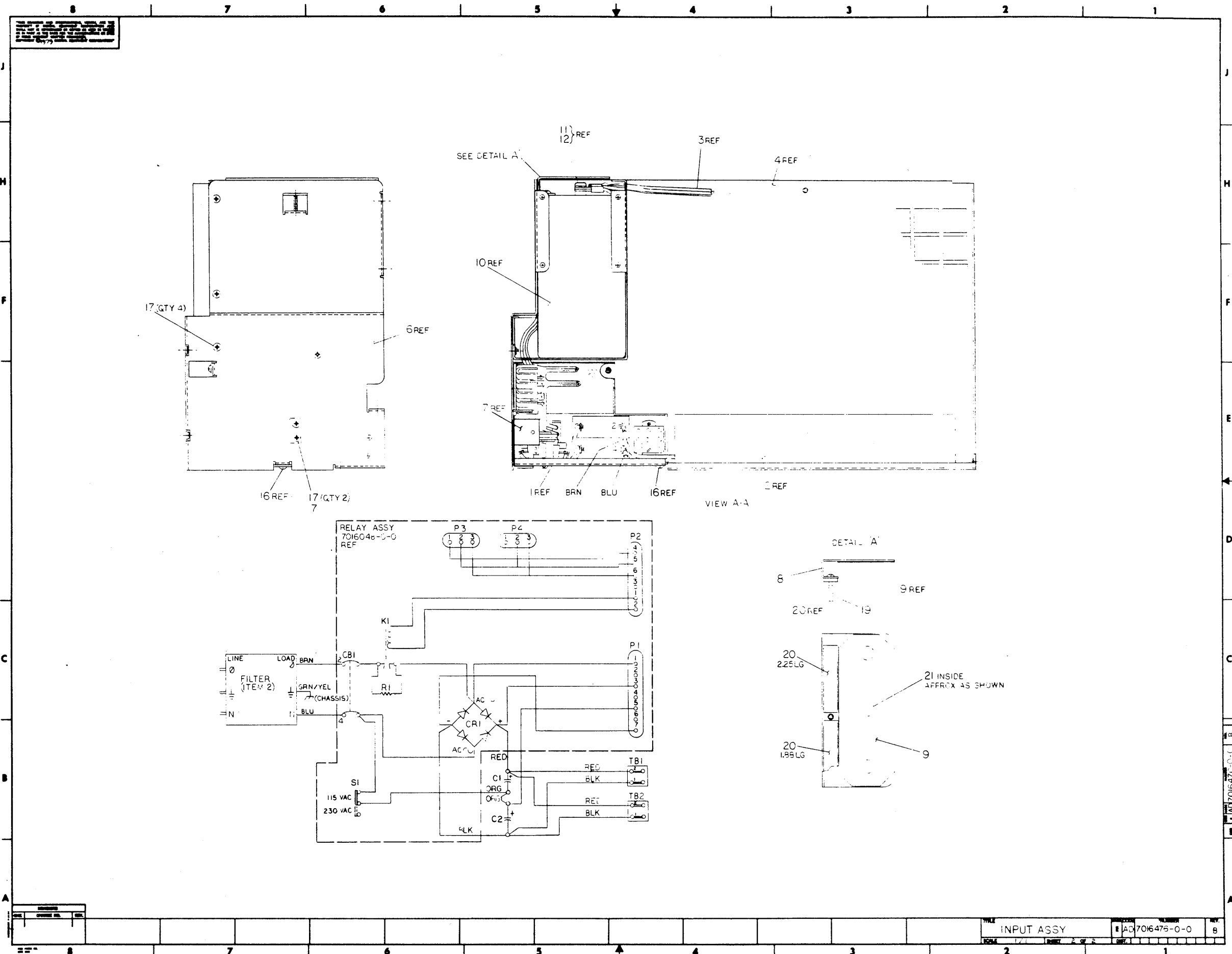


1	2	3	4	5	6	7	8
1	2	3	4	5	6	7	8

CAUTION: OFF SHEET PARTS LIST  
 SEE 3-PL-7016476-C-0

DESCRIPTION	QTY	UNIT	ITEM NO.
INPUT ASSY	1	ASSEMBLY	AD7016476-0-0
TITLE: INPUT ASSY			
SCALE: NONE			
REV: B			





1. ALL DIMENSIONS ARE IN INCHES UNLESS OTHERWISE SPECIFIED.  
 2. DIMENSIONS ARE TO CENTER UNLESS OTHERWISE SPECIFIED.  
 3. DIMENSIONS ARE TO SURFACE UNLESS OTHERWISE SPECIFIED.  
 4. DIMENSIONS ARE TO EDGE UNLESS OTHERWISE SPECIFIED.  
 5. DIMENSIONS ARE TO FACE UNLESS OTHERWISE SPECIFIED.  
 6. DIMENSIONS ARE TO CENTER UNLESS OTHERWISE SPECIFIED.  
 7. DIMENSIONS ARE TO SURFACE UNLESS OTHERWISE SPECIFIED.  
 8. DIMENSIONS ARE TO EDGE UNLESS OTHERWISE SPECIFIED.  
 9. DIMENSIONS ARE TO FACE UNLESS OTHERWISE SPECIFIED.

1. ALL DIMENSIONS ARE IN INCHES UNLESS OTHERWISE SPECIFIED.  
 2. DIMENSIONS ARE TO CENTER UNLESS OTHERWISE SPECIFIED.  
 3. DIMENSIONS ARE TO SURFACE UNLESS OTHERWISE SPECIFIED.  
 4. DIMENSIONS ARE TO EDGE UNLESS OTHERWISE SPECIFIED.  
 5. DIMENSIONS ARE TO FACE UNLESS OTHERWISE SPECIFIED.

INPUT ASSY  
 7016476-0-0  
 REV B

7016476-0-0

DIGITAL EQUIPMENT CORPORATION PARTS LIST				QUANTITY / VARIATION										NOTES:				
MADE BY DATE		CHECKED DATE		SECTION														
ENG DATE		PROD DATE		ISSUED SECTION														
ITEM NO.	DRAWING NO.	PART NO.	DESCRIPTION															REF DESIGNATION
1	E-AD-7016048-0-0	7016048-00	RELAY ASSY	1														
2	C-IA-7016898-0-0	7016898-00	FILTER, RFI, ASSY	1														
3		1700245-00	CIRCUIT FLEX. FLAT POWER	1														
4	D-IA-7016926-0-0	7016926-00	CHASSIS ASSY, REAR	1														
5	D-MD-7421433-0-0	7421433-00	BRACKET, CAPACITOR	1														
6	D-MD-7421438-0-0	7421438-00	PANEL, SIDE	1														
7	B-MD-7423546-0-0	7423546-00	BLOCK, MTG	1														
8	B-MD-7422382-0-0	7422382-00	CLAMP, CAPACITOR	1														
9	B-MD-7422401-0-0	7422401-00	INSULATOR, CAPACITOR	1														
10		1014336-00	CAPACITOR, 4500 uf/200 VDC, E3	2														
11		9006072-01	SCR, PHL PAN HD SS #10-32 x .438 LG	4														
12		9007906-00	WASHER, SPLIT, LOCK #10	4														
13		9006037-01	SCR, PHL PAN HD SS #8-32 x .375 LG	2														
14		9006565-00	NUT, KEP CS/CAD #10-32 x 3/8 AF	1														
15		9006690-00	WASHER, SPLIT, LOCK #8	2														
16		9009708-00	SCREW, PHL PAN HD SELF TAP #6-32 x .312	6														
17		9009796-00	SCR, PHL FLAT HD SELF TAP #6-32 x .250	6														
18		3617016-00	LABEL, N-GROUND-L	1														
19		9010133-00	SCREW, PHILL PAN HD #8-32 x .88 LG	1														
20		9009342-00	FOAM TAPE ADH. BACK .50 x .125	.35 FT														
21		9009157-00	ADHESIVE, PERMABOND #101	A/R														
22		9009255-00	LABEL, POWER SUPPLY	1														
23		1216626-00	BLOCK, TERM, HIGH BARRIER	2														

E.C.O. NO.  
H7140-  
TW001  
H7140-  
TW021

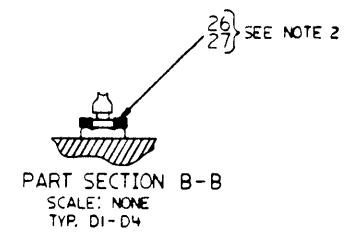
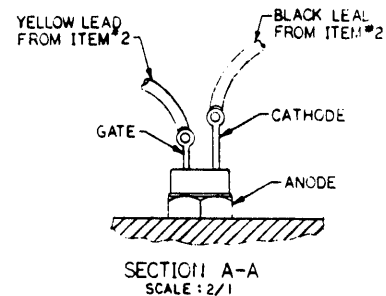
"THIS DRAWING AND SPECIFICATIONS, HEREIN, ARE THE PROPERTY OF DIGITAL EQUIPMENT CORPORATION AND SHALL NOT BE REPRODUCED OR COPIED OR USED IN WHOLE OR IN PART AS THE BASIS FOR THE MANUFACTURE OR SALE OF ITEMS WITHOUT WRITTEN PERMISSION. COPYRIGHT © 1979 DIGITAL EQUIPMENT CORPORATION"

TITLE  
INPUT ASSY

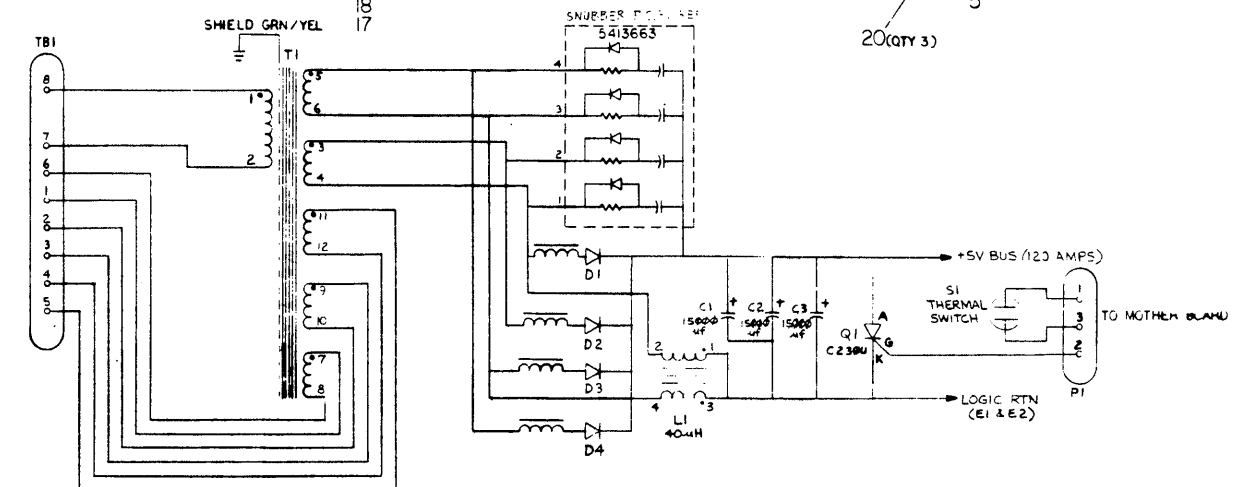
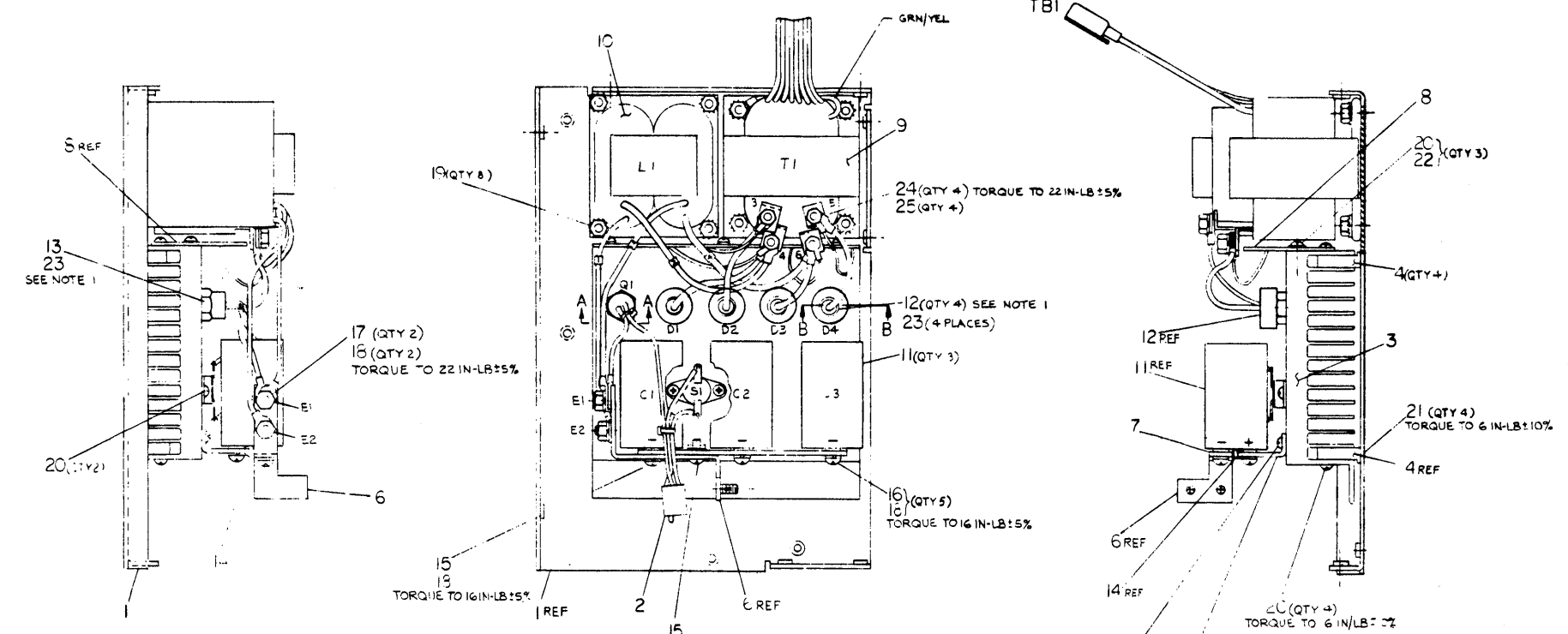
ASSY NO.  
E-AD-7016476-00  
SHEET 1 OF 1

SIZE CODE NUMBER REV.  
B PL 7016476-C-C B  
INSERTION PARTS LIST DATA BASE REV

INTERCONNECTION TABLE		REMARKS
FROM	TO	
C1	T1-4	
WIRE #1 ITEM 8	T1-3	
C2	T1-6	
WIRE #2 ITEM 8	T1-5	
D3		
WIRE #3 ITEM 8		
L4		
WIRE #4 ITEM 8		
T1-GRN/YEL	MTD STUD	
YEL LEAD ITEM 2	J1-GATE	
BLK LEAD ITEM 2	E1	
Q1-CATHODE	E2	
L1-3		
L1-1		



NOTES:  
 1. ITEMS 12 & 13 (D1-D4 & Q1) MUST SEAT FLUSH ON HEATSINK (ITEM 3). USE ITEM 23 (JOINTCompound) UNDER ITEMS 12 & 13. TORQUE TO 25 IN-LBS MIN. UNTIL FULLY SEATED.  
 2. APPLY ITEM 20, 4 PLACES D1 THRU D4 USING ITEM 27.



1	WIRE #1 ITEM 8	1/16" X 36"
2	WIRE #2 ITEM 8	1/16" X 36"
3	WIRE #3 ITEM 8	1/16" X 36"
4	WIRE #4 ITEM 8	1/16" X 36"
5	WIRE #5 ITEM 8	1/16" X 36"
6	WIRE #6 ITEM 8	1/16" X 36"
7	WIRE #7 ITEM 8	1/16" X 36"
8	WIRE #8 ITEM 8	1/16" X 36"
9	WIRE #9 ITEM 8	1/16" X 36"
10	WIRE #10 ITEM 8	1/16" X 36"
11	WIRE #11 ITEM 8	1/16" X 36"
12	WIRE #12 ITEM 8	1/16" X 36"
13	WIRE #13 ITEM 8	1/16" X 36"
14	WIRE #14 ITEM 8	1/16" X 36"
15	WIRE #15 ITEM 8	1/16" X 36"
16	WIRE #16 ITEM 8	1/16" X 36"
17	WIRE #17 ITEM 8	1/16" X 36"
18	WIRE #18 ITEM 8	1/16" X 36"
19	WIRE #19 ITEM 8	1/16" X 36"
20	WIRE #20 ITEM 8	1/16" X 36"
21	WIRE #21 ITEM 8	1/16" X 36"
22	WIRE #22 ITEM 8	1/16" X 36"
23	WIRE #23 ITEM 8	1/16" X 36"
24	WIRE #24 ITEM 8	1/16" X 36"
25	WIRE #25 ITEM 8	1/16" X 36"

CAUTION: OFF SHEET PARTS LIST  
 SEE K-PL-7016054-0-DBP (244748)

QUANTITY & VARIATION	DESCRIPTION	QUANTITY	ITEM NO.
1	OUTPUT PANEL ASSY	1	7016054-0-0
1	WIRE #1 ITEM 8	1	7016054-0-0
1	WIRE #2 ITEM 8	1	7016054-0-0
1	WIRE #3 ITEM 8	1	7016054-0-0
1	WIRE #4 ITEM 8	1	7016054-0-0
1	WIRE #5 ITEM 8	1	7016054-0-0
1	WIRE #6 ITEM 8	1	7016054-0-0
1	WIRE #7 ITEM 8	1	7016054-0-0
1	WIRE #8 ITEM 8	1	7016054-0-0
1	WIRE #9 ITEM 8	1	7016054-0-0
1	WIRE #10 ITEM 8	1	7016054-0-0
1	WIRE #11 ITEM 8	1	7016054-0-0
1	WIRE #12 ITEM 8	1	7016054-0-0
1	WIRE #13 ITEM 8	1	7016054-0-0
1	WIRE #14 ITEM 8	1	7016054-0-0
1	WIRE #15 ITEM 8	1	7016054-0-0
1	WIRE #16 ITEM 8	1	7016054-0-0
1	WIRE #17 ITEM 8	1	7016054-0-0
1	WIRE #18 ITEM 8	1	7016054-0-0
1	WIRE #19 ITEM 8	1	7016054-0-0
1	WIRE #20 ITEM 8	1	7016054-0-0
1	WIRE #21 ITEM 8	1	7016054-0-0
1	WIRE #22 ITEM 8	1	7016054-0-0
1	WIRE #23 ITEM 8	1	7016054-0-0
1	WIRE #24 ITEM 8	1	7016054-0-0
1	WIRE #25 ITEM 8	1	7016054-0-0

LINE	ITEM	DOCUMENT NUMBER	PART NUMBER	DESCRIPTION	QTY	PER VARIATION	REFERENCE DESIGNATOR
					00		
1	1	D-MD-7421434-0-0	7421434-00	PANEL, SIDE	1		
2	2	D-IA-7016511-0-0	7016511-00	OVER TEMP CABLE ASSY	1		
3	3		1216648-00	HEAT SINKS, 05.62X05.3	1		
4	4		1216965-00	BLOCK, MTG INSULATED	4		
5	5	B-MD-7422038-0-0	7422038-00	CAP, BRKT POS	1		
6	6	B-MD-7422037-0-0	7422037-00	RETURN BUS BRKT	1		
7	7	B-MD-7422036-0-0	7422036-00	CAP, BRKT NEG	1		
8	8	D-UA-5413663-0-0	5413663-00	SNUBBER BOARD	1		
9	9	C-IA-7016056-0-0	7016056-00	TRANSFORMER ASSY	1		T1
10	10	C-IA-7016055-0-0	7016055-00	CHOKE ASSY	1		L1
11	11		1014338-00	15,000 MFD 7.5V 20% AL EL	3		C1, C2, C3
12	12		1117833-00	USD 545F PIV=45V I=75A 005	4		D1, D2, D3, D4
13	13		1109978-00	C 230U SCRW 25V I=25A S131	1		Q1
14	14	(SEE NOTE 1)	9007036-00	GROMMET, CATERPILLAR POLYAMIDE	0		
15	15		9006071-01	SCREW, MACH PAN PHIL 10-	2		
16	16		9006070-01	SCREW, MACH PAN PHIL 10-	5		
17	17		9009005-00	NUT, HEX 10-32X .246AF SS/N	3		
18	18		9007906-00	WASHER, HELICAL SPLIT STEEL	9		
19	19		9006563-00	NUT, HEX EXT TOOTH LCKWSHR 8-32	8		
20	20		9009708-00	SCREW, TAP PAN PHIL THD RL 6-	12		
21	21		9009796-00	SCREW, TAP FLAT PHIL THD RL 6-	4		
22	22		9009882-00	WASHER, LOCK INTERNAL SST	3		
23	23		9008268-00	COMPOUND, THERMAL JOINT	A/R		
24	24		9006561-00	NUT, HEX 8-32X .307AF SS/N	4		
25	25		9006690-00	WASHER, HELICAL SPLIT SST	4		
26	26		1620201-01	CORE, POWDER IRON .9420DX.56IDX.	4		
27	27		4901462-00	ADHESIVE/SEALANT, SILICONE RUBBER	A/R		

REVISION HISTORY		BASIC PART NO: 7016054		DRN: A.RUSZCZYK		DATE: 14-JUL-82		DIGITAL	
ENG	ECO NUMBER	REV	SECTION A OF A	CHK'D:	T.MCCULLOUGH	DATE:	14-JUL-82	TITLE	PARTS LIST
	INITIAL	A	SECTION VARIATION INDEX					OUTPUT PANEL ASSEMBLY	
			[A] 00						
			[B]						
			[C]	DES.ENG:	R.WOLF	DATE:	14-JUL-82		
			[D]						
			[E]	RESP.ENG.:	K.KNOWLES	DATE:	14-JUL-82	DOCUMENT NUMBER	
			[F]						
			[H]					SIZE: CODE: NUMBER	REV
			[J]						
			[K]	MFG.ENG.:	C.ROLDAN	DATE:	14-JUL-82	K PL 7016054-0-DBP	A
			[L]						
			[M]	ASSEMBLY NUMBER:	E-AD-7016054-0-0	TOP DOCUMENT NUMBER:	E-UA-H7140-0-0	FILE NAME:	24494A.PLS
			[N]						EDIT #
									2

"THIS DRAWING AND SPECIFICATIONS HEREIN, ARE THE PROPERTY OF DIGITAL EQUIPMENT CORPORATION AND SHALL NOT BE REPRODUCED OR COPIED OR USED IN WHOLE OR IN PART AS THE BASIS FOR THE MANUFACTURE OR SALE OF ITEMS WITHOUT WRITTEN PERMISSION. COPYRIGHT (C) 1982. DIGITAL EQUIPMENT CORPORATION"

AUTOMATED BY PRTLST.3P(44)

PARTS LIST

SHEET A2 OF A2

LINE ITEM DOCUMENT NUMBER

PART NUMBER

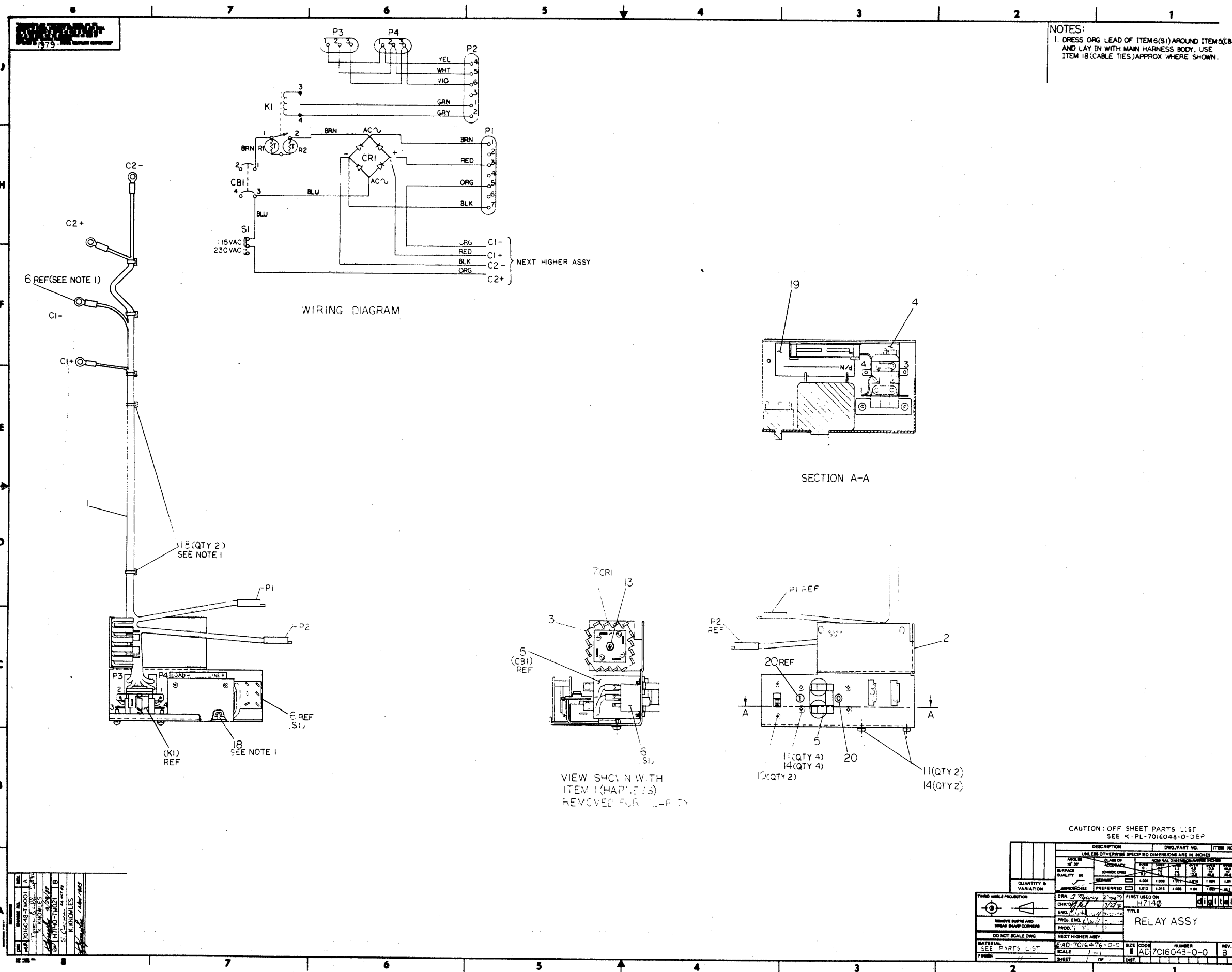
DESCRIPTION

QTY PER VARIATION  
00

REFERENCE DESIGNATOR

28 NOTE: 1. QUANTITY FOR ITEM NUMBER 14 IS .33 FT.

D	I	G	I	T	A	L	TITLE	SECTION A OF A	SIZE	CODE	DOCUMENT NUMBER	REV
							OUTPUT PANEL ASSEMBLY		K	PL	7016054-0-DBP	A



NOTES:  
1. DRESS ORG LEAD OF ITEM 6(S1) AROUND ITEM 5(CBI) AND LAY IN WITH MAIN HARNESS BODY. USE ITEM 18 (CABLE TIES) APPROX WHERE SHOWN.

CAUTION: OFF SHEET PARTS LIST  
SEE PL-7016043-0-DEP

APP'D	DATE	BY	REV
10/16/48	10/16/48	1	1

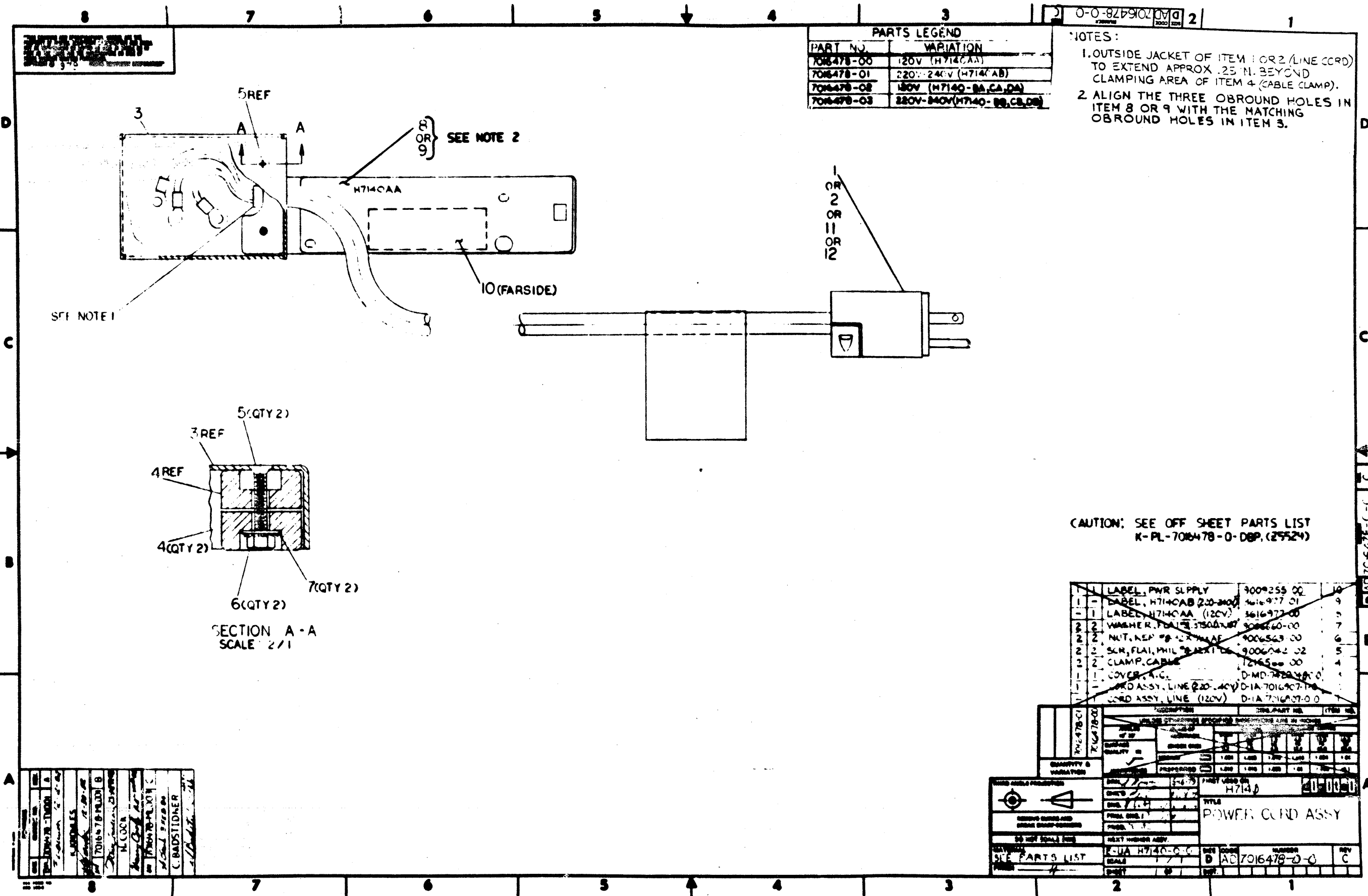
DESCRIPTION		QTY	UNIT	QTY	UNIT	QTY	UNIT	QTY	UNIT
UNLESS OTHERWISE SPECIFIED DIMENSIONS ARE IN INCHES									
ANGLE		1/2	1/4	1/2	1/4	1/2	1/4	1/2	1/4
HOLE		1/2	1/4	1/2	1/4	1/2	1/4	1/2	1/4
SURFACE QUALITY		1/2	1/4	1/2	1/4	1/2	1/4	1/2	1/4
QUANTITY & VARIATION		1/2	1/4	1/2	1/4	1/2	1/4	1/2	1/4
THIRD ANGLE PROJECTION		1/2	1/4	1/2	1/4	1/2	1/4	1/2	1/4
MATERIAL		1/2	1/4	1/2	1/4	1/2	1/4	1/2	1/4
SEE PARTS LIST		1/2	1/4	1/2	1/4	1/2	1/4	1/2	1/4
FINISH		1/2	1/4	1/2	1/4	1/2	1/4	1/2	1/4
DRAWN BY		1/2	1/4	1/2	1/4	1/2	1/4	1/2	1/4
ENGR BY		1/2	1/4	1/2	1/4	1/2	1/4	1/2	1/4
PROJ. ENGR		1/2	1/4	1/2	1/4	1/2	1/4	1/2	1/4
PROD. BY		1/2	1/4	1/2	1/4	1/2	1/4	1/2	1/4
DO NOT SCALE DRAWING		1/2	1/4	1/2	1/4	1/2	1/4	1/2	1/4
NEXT HIGHER ASSY.		1/2	1/4	1/2	1/4	1/2	1/4	1/2	1/4
SIZE		1/2	1/4	1/2	1/4	1/2	1/4	1/2	1/4
CODE		1/2	1/4	1/2	1/4	1/2	1/4	1/2	1/4
NUMBER		1/2	1/4	1/2	1/4	1/2	1/4	1/2	1/4
REV.		1/2	1/4	1/2	1/4	1/2	1/4	1/2	1/4
SHEET		1/2	1/4	1/2	1/4	1/2	1/4	1/2	1/4
OF		1/2	1/4	1/2	1/4	1/2	1/4	1/2	1/4
DST.		1/2	1/4	1/2	1/4	1/2	1/4	1/2	1/4
TITLE		1/2	1/4	1/2	1/4	1/2	1/4	1/2	1/4
RELAY ASSY		1/2	1/4	1/2	1/4	1/2	1/4	1/2	1/4
PL-7016043-0-0		1/2	1/4	1/2	1/4	1/2	1/4	1/2	1/4

DIGITAL EQUIPMENT CORPORATION PARTS LIST				QUANTITY / VARIATION										NOTES:						
MADE BY DATE		CHECKED DATE																		
A. MOWRY 03/27/79		[Signature] 7/27/79																		
ENG DATE		PROD DATE		ISSUED SECTION																
Robert J. Wolf 7-27-79		Manuel Heitzler (R.J.W.) 7-31-79																		
ITEM NO.	DRAWING NO.	PART NO.	DESCRIPTION											REF DESIGNATION						
1	D-IA-7016049-0-0	7016049-00	HARNES, A.C. INPUT	1																
2	D-MD-7422040-0-0	7422040-00	BRACKET, INPUT	1																
3		1216688-00	HEAT SINK	1																
4		1216206-00	RELAY, PWR 12V COIL. SPST 30A	1																
5		1212124-01	CKT BKR, 2 P SERIES TRIP, 20A 240V	1																
6	C-IA-7016923-0-0	7016923-00	SWITCH ASSY	1																
7		1116216-00	BRIDGE RECTIFIER IF = 30A, 600V VR	1																
8		9006966-00	TERMINAL, P.C.B. 2 POS INS, TURRET	2																
9		1314848-00	RESISTOR 3 OHM 5% 7 WATT	1																
10		9000039-06	SCR, PHIL, FLAT HD #4-40 x .187	2																
11		9006020-01	SCR, PHIL, PAN HD #6-32 x .250	6																
12		9006021-01	SCR, PHIL, PAN HD #6-32 x .312	1																
13		9009243-00	NUT, KEP #6-32 x 5/16 AF S.S.	1																
14		9007801-00	WASHER, LOCK SS #6	7																
15		9107560-03	WIRE BUSS #18 AWG	.21																FT
16		9007036-00	GROMMET, CATERPILLAR	.25																FT
17		9009157-00	ADHESIVE, PERMABOND	A/R																
18		9007031-00	TIE, CABLE SST1-M	3																
19		9009255-00	LABEL, POWER SUPPLY	1																
20		3615680-00	LABEL, SWITCH POSITION, ADH BACK	1																

E.C.O. NO.

"THIS DRAWING AND SPECIFICATIONS, HEREIN, ARE THE PROPERTY OF DIGITAL EQUIPMENT CORPORATION AND SHALL NOT BE REPRODUCED OR COPIED OR USED IN WHOLE OR IN PART AS THE BASIS FOR THE MANUFACTURE OR SALE OF ITEMS WITHOUT WRITTEN PERMISSION. COPYRIGHT © 1979 DIGITAL EQUIPMENT CORPORATION"				TITLE RELAY ASSY	ASSY NO. E-AD-7016048-0-0	SIZE B	CODE PL	NUMBER 7016048-0-0	REV. *
					SHEET 1 OF 1	INSERTION PARTS LIST DATA BASE REV			

TW



PARTS LEGEND	
PART NO.	VARIATION
7016478-00	120V (H714CAA)
7016478-01	220V-240V (H714CAB)
7016478-02	180V (H714C-BA, CA, DA)
7016478-03	220V-240V (H714C-BB, CB, DB)

NOTES:

1. OUTSIDE JACKET OF ITEM 1 OR 2 (LINE CORD) TO EXTEND APPROX. .25 IN. BEYOND CLAMPING AREA OF ITEM 4 (CABLE CLAMP).
2. ALIGN THE THREE OBOUNDED HOLES IN ITEM 8 OR 9 WITH THE MATCHING OBOUNDED HOLES IN ITEM 3.

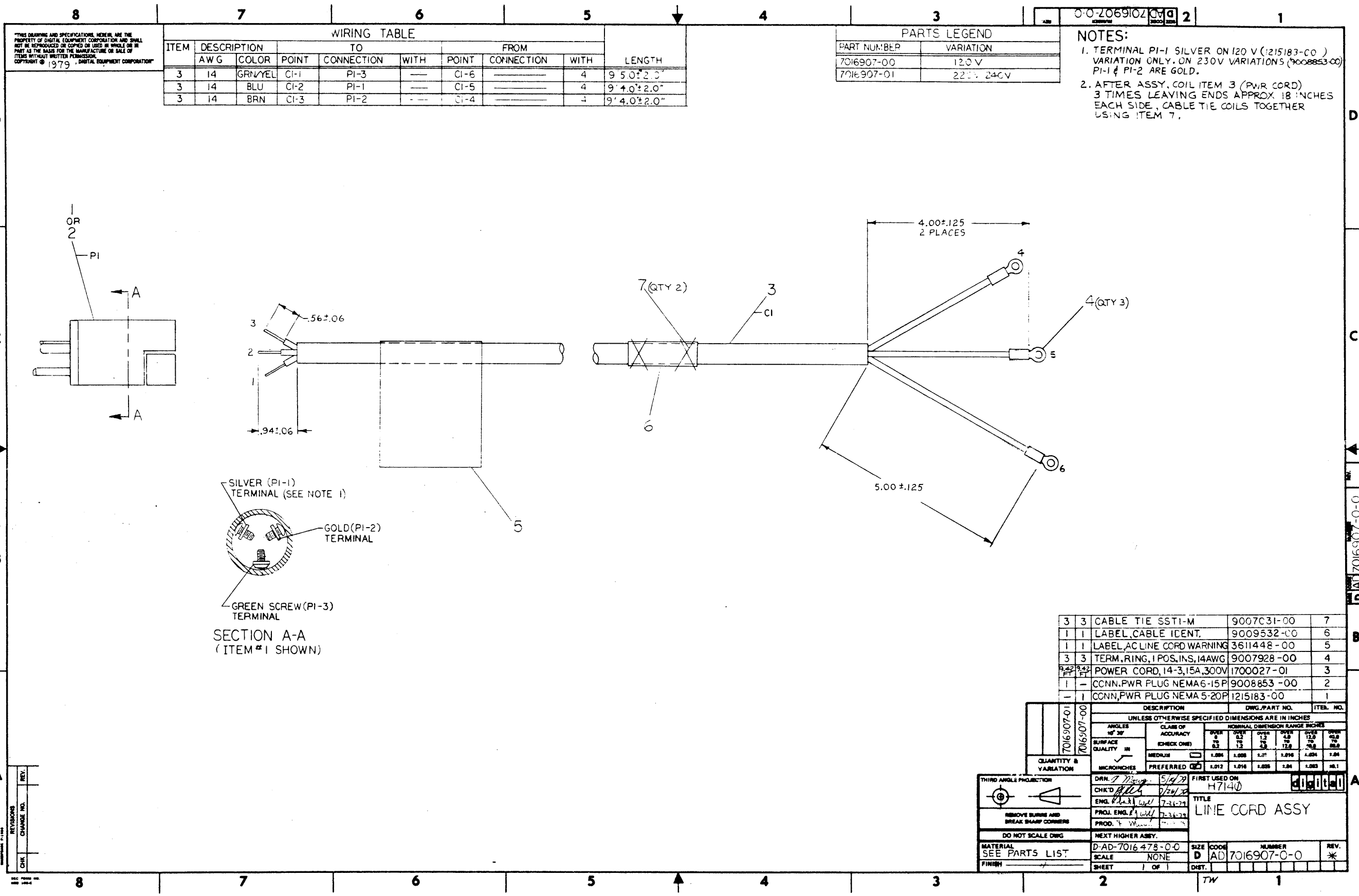
CAUTION: SEE OFF SHEET PARTS LIST  
K-PL-7016478-0-DBP. (29524)

QTY	DESCRIPTION	UNIT PRICE	TOTAL
1	LABEL, PWR SUPPLY	9009255 00	9009255 00
1	LABEL, H714CAB (220-240V)	416977 01	416977 01
1	LABEL, H714CAA (120V)	3616977 00	3616977 00
2	WASHER, FLAT, 3/32 DIA X 1/8	9006260 00	1801240 00
2	NUT, HEX #8-32 X 1/4	9006563 00	1801126 00
2	SCR, FLAT, PHIL #8 X 1/4	9006242 02	1801124 04
2	CLAMP, CABLE	12165 00	24330 00
1	COVER, A.C.	D-MD-7420-100-0	
1	CORD ASSY, LINE (220-240V)	D-1A-7016478-1A	
1	CORD ASSY, LINE (120V)	D-1A-7016478-0-0	

TITLE <b>POWER CORD ASSY</b>	PART NO. <b>7016478-0-0</b>
DRAWN BY CHECKED BY APPROVED BY	DATE REV <b>C</b>
NEXT HIGHER ASSY	SCALE <b>1:1</b>
SEE PARTS LIST	NUMBER <b>D 7016478-0-0</b>

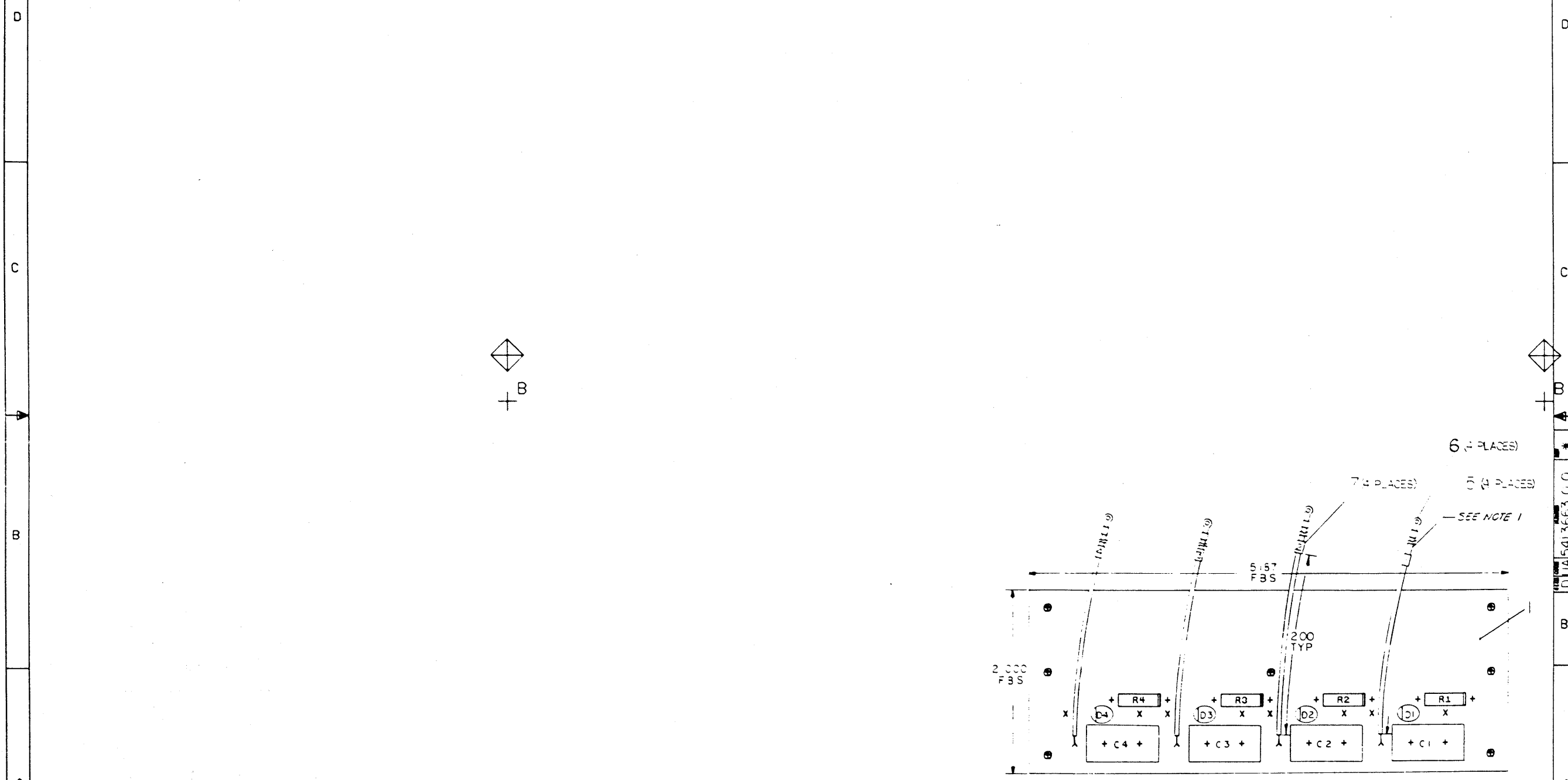
APPROVED BY DATE	APPROVED BY DATE	APPROVED BY DATE	APPROVED BY DATE
---------------------	---------------------	---------------------	---------------------





THIS DRAWING AND ANY INFORMATION CONTAINED HEREIN IS THE PROPERTY OF MILITARY AIRCRAFT CORPORATION AND SHALL NOT BE DISCLOSED OR REPRODUCED IN ANY MANNER OR FOR ANY PURPOSE WITHOUT THE WRITTEN PERMISSION OF MILITARY AIRCRAFT CORPORATION.

COMPONENT SIDE VIEW



NOTES: 1. WIRE (ITEM 5) SHOULD BE PRECUT TO 4" LENGTHS (4 PIECES REQUIRED)

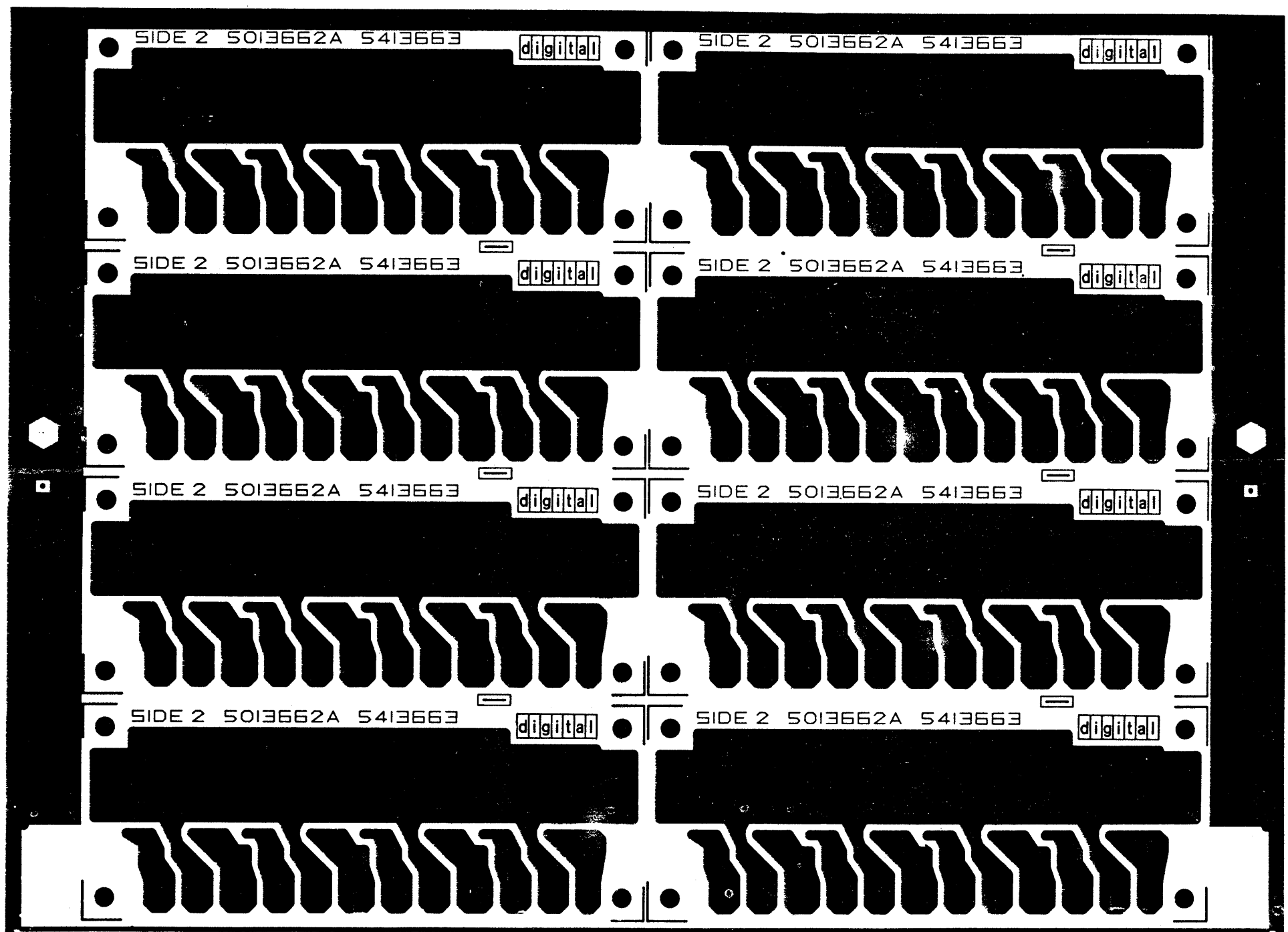
CHANGE NO	REV

ETCH REV.	1
P.C. DESIGN DATA BASE REV.	A

SIGNATURES		DATE
DRN.		7-7-73
CHK'D.		7-4-73
PROJ. ENG.		7-15-73
PROD. F.		7-15-73
SCALE	2	
SHT.	OF 2	
NEXT HIGHER ASSY.		B DD-54 3663-0

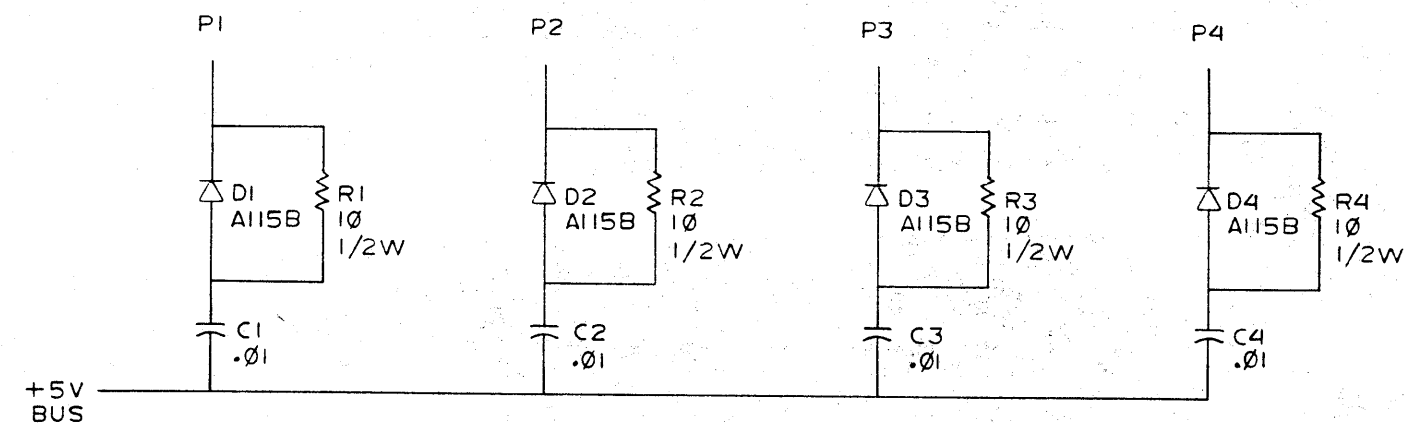
digital	
TITLE	4740
SNUSSEH BOARD	
SIZE CODE	NUMBER
D UA 54.3663-0-C	REV

DUA 5413663-0-0




REVISIONS		
CHK	CHANGE NO.	REV.

"THIS DRAWING AND SPECIFICATIONS, HEREIN, ARE THE PROPERTY OF DIGITAL EQUIPMENT CORPORATION AND SHALL NOT BE REPRODUCED OR COPIED OR USED IN WHOLE OR IN PART AS THE BASIS FOR THE MANUFACTURE OR SALE OF ITEMS WITHOUT WRITTEN PERMISSION. COPYRIGHT © 1978 DIGITAL EQUIPMENT CORPORATION"



REVISIONS	
CHK	CHANGE NO.
T.M.	5413663 - TWO
A.	17-SEP-81
R.	HEATON
L.	12-1-81

QTY.	DESCRIPTION	PART NO.	ITEM NO.
PARTS LIST			
DRN. <i>Jim Stogeli</i>	DATE 5-29-79	 TITLE H7140 SNUBBER BOARD	
CHK'D. <i>J.L.</i>	DATE 5-29-79		
ENG. <i>R. Heaton</i>	DATE 6/24/79		
PROJ. ENG. <i>R. Heaton</i>	DATE 6/24/79		
PROD. <i>F. Munoz</i>	DATE 7-13-79		
NEXT HIGHER ASSY.		SIZE CODE	NUMBER
FIRST USED ON OPTION/MODEL		C CS	5413663-0-1
SCALE NONE			REV. A
SHEET 1 OF 1		DIST.	

SIZE CODE C CS  
 NUMBER 5413663-0-1  
 REV. A

TW

AUTOMATED BY PRTLST,3L(32)

P A R T S L I S T

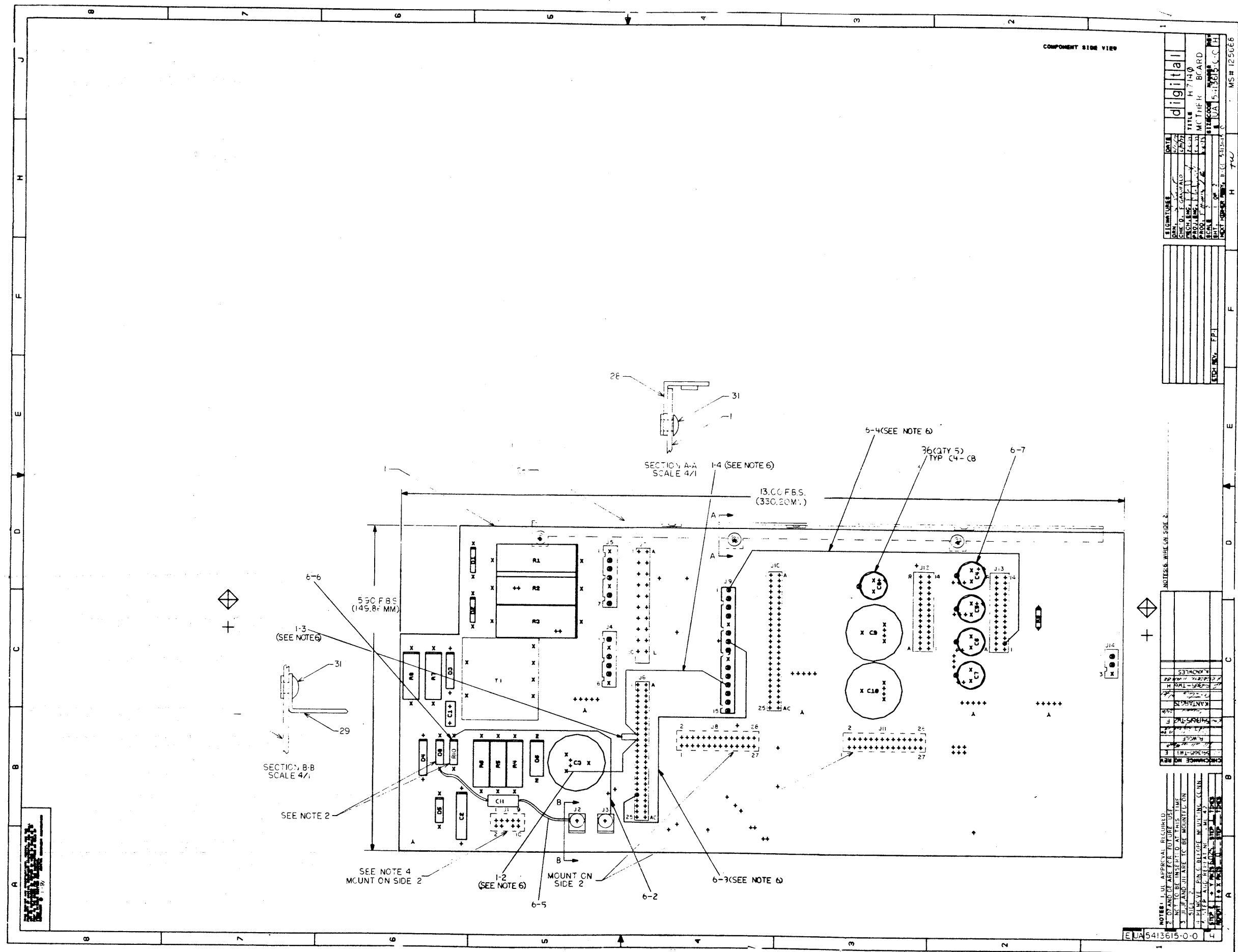
SHEET A1 OF A1

LINE	ITEM	DOCUMENT NUMBER	PART NUMBER	DESCRIPTION	QTY PER VARIATION 00	REFERENCE DESIGNATOR
1	1	D-MD-5013662-0-0	5013662-00	DRILL & FTCH BD	1	
2	2		1011847-01	.01 MFD 400V 10% POLYPROP	4	C1-C4
3	3		112594-01	A1158 PIV=200 I= 3A	4	D1-D4
4	4		1300168-00	10 1/2W 5% CC	4	R1-R4
5	5		9107801-33	WIRE,STRND,20AWG IPVC UL1431	A/R	
6	6		9007930-00	TERM RING 1POS INSULATED,22-16	4	
7	7		9008356-01	WIRE IDENTIFIER,(1-48)	1	

Ø NOTE: ITEM #5, 1.33' IS USED.

REVISION HISTORY		BASIC PART NO: 5413663		DRN:	K, FRIEDGEN	DATE:	22-MAY-79	D I G I T A L			
ENG	ECO NUMBER	REV	SECTION A OF A	CHK'D:	J. CASEY	DATE:	19-JUL-79	TITLE	PARTS LIST		
---	INITIAL	*	SECTION VARIATION INDEX					SNUBBER BOARD ASSY			
			[A] 00								
			[B]								
			[C]	DES.ENG:	J. A. HERRMANN	DATE:	22-MAY-79				
			[D]								
			[E]	RESP.ENG.:	J. A. HERRMANN	DATE:	22-MAY-79	DOCUMENT NUMBER			
			[F]								
			[H]								
			[J]					SIZE: CODE: NUMBER	REV		
			[K]	MFG.ENG.:	F. MUNIZ	DATE:	19-JUL-79	K PL	5413663-0-DBP	*	
			[L]								
			[M]	ASSEMBLY NUMBER:		TOP DOCUMENT NUMBER:		FILE NAME:	EDIT #		
			[N]	D-UA-5413663-0-0		D-MD-5413663-0-0		13663.PLS	8		

"THIS DRAWING AND SPECIFICATIONS HEREIN, ARE THE PROPERTY OF DIGITAL EQUIPMENT CORPORATION AND SHALL NOT BE REPRODUCED OR COPIED OR USED IN WHOLE OR IN PART AS THE BASIS FOR THE MANUFACTURE OR SALE OF ITEMS WITHOUT WRITTEN PERMISSION. COPYRIGHT (C) 1979, DIGITAL EQUIPMENT CORPORATION"



COMPONENT SIDE VIEW

DATE	7/7/72	TITLE	digital
DRAWN	W. H. H.	DESIGNED	M. J. H.
PROJECT	5413615-00	PROGRAM	MC THE R. BOARD
REVISION	1	DATE	7/7/72
BY	W. H. H.	CHKD BY	M. J. H.
APP'D		DATE	7/7/72
BY		CHKD BY	
APP'D		DATE	7/7/72
BY		CHKD BY	

NO.	REV.	DATE	DESCRIPTION
1	1		
2	1		
3	1		
4	1		
5	1		
6	1		
7	1		
8	1		
9	1		
10	1		

NO.	REV.	DATE	DESCRIPTION
1	1		
2	1		
3	1		
4	1		
5	1		
6	1		
7	1		
8	1		
9	1		
10	1		

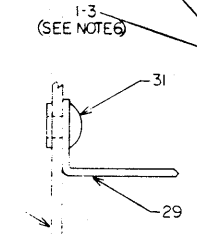
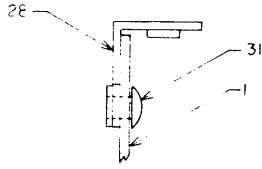
NO.	REV.	DATE	DESCRIPTION
1	1		
2	1		
3	1		
4	1		
5	1		
6	1		
7	1		
8	1		
9	1		
10	1		

NOTES: 1. U.I. APPROVAL REQUIRED.  
2. DIMENSIONS FOR FUTURE USE.  
3. DIMENSIONS TO BE MOUNTED ON BOARD.  
4. DIMENSIONS TO BE MOUNTED ON BOARD.  
5. DIMENSIONS TO BE MOUNTED ON BOARD.  
6. DIMENSIONS TO BE MOUNTED ON BOARD.

ELDA 5413615-0-0

MS# 12566B

NOTES: WIRE ON SIDE 2.



SECTION B-B SCALE 4/1

SECTION A-A SCALE 4/1

1-3 (SEE NOTE 6)

530 FBS (145.87 MM)

1-4 (SEE NOTE 6)

13.00 FBS (330.20 MM)

6-4 (SEE NOTE 6)

36 (QTY 5) TYP C4-C8

6-7

SEE NOTE 2

SEE NOTE 4 MOUNT ON SIDE 2

1-2 (SEE NOTE 6)

MOUNT ON SIDE 2

6-3 (SEE NOTE 6)

6-5

6-2

ELDA 5413615-0-0

REWORK INSTRUCTIONS

REWORK INSTRUCTIONS

ECO #1

~~ETCH CUT SIDE 1  
FROM C1 NEG TO J6-P15, 16, 17 AND J9-P1~~

WIRE ADDS: SIDE 2  
6-2 FROM C3 NEG (TACK SOLDER TO ETCH) TO J6-P11  
6-3 FROM J6-P11 TO J6-P10  
6-4 FROM J6-P10 TO J9-P12

ECO #6

WIRE ADDS: SIDE 2  
6-2 FROM J9 TO D7 CATHODE } USE ITEM 32  
6-3 FROM J9-7 TO J6-21  
6-4 FROM J9-1 TO J9-2

COMPONENT ADDS: SIDE 1  
6-5 C1 (P/N 100040-00) FROM D8 ANODE  
TO J2-INS. LATE LEADS WITH ITEM 33.  
6-6 R1 (P/N 131220-00) IN FORMER D7 POSITION.  
6-7 ITEM 36 (P/N 909731-03) ADD ON C4-C8.

J  
H  
F  
E  
D  
C  
B  
A

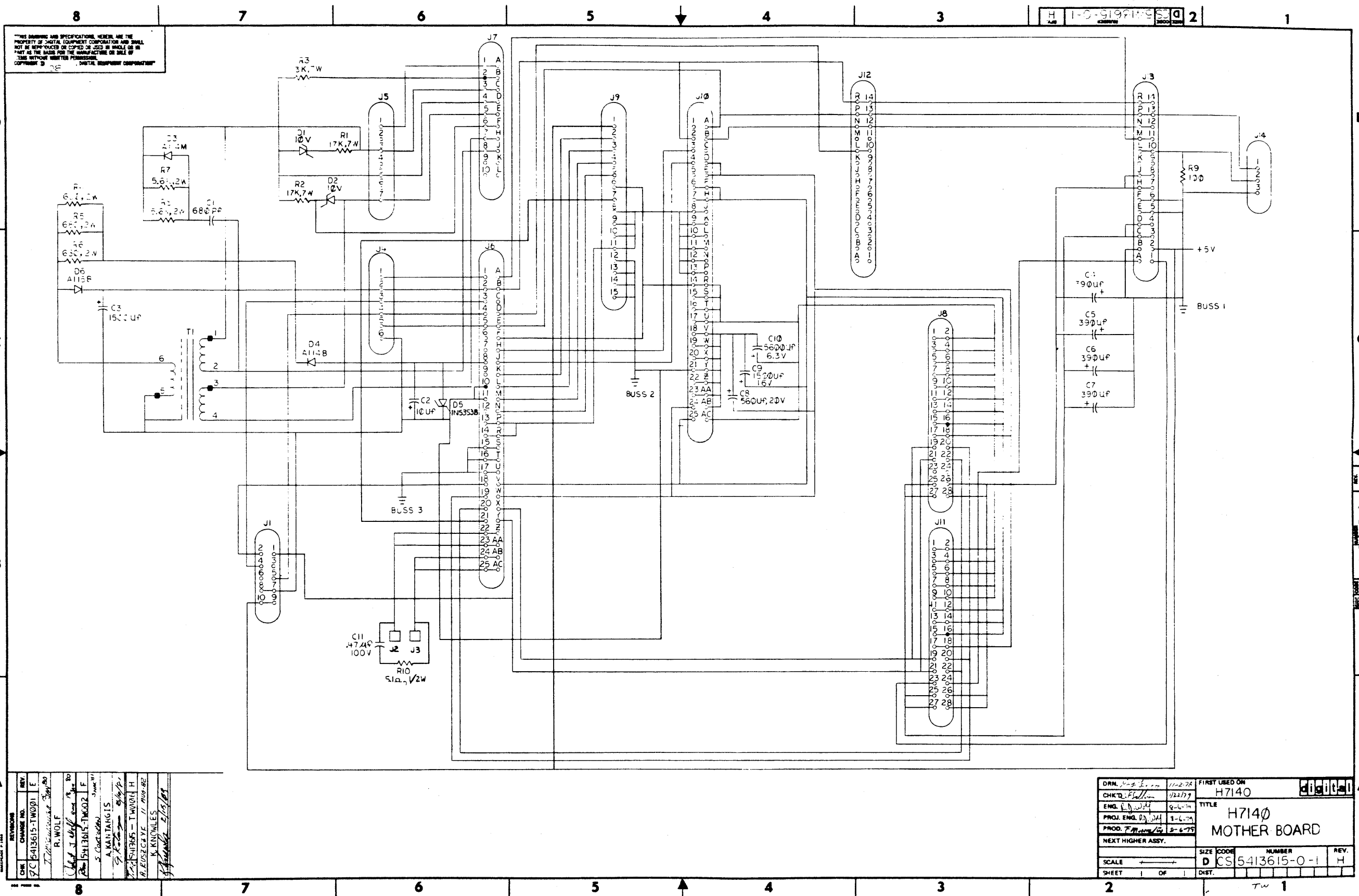
J  
H  
F  
E  
D  
C  
B  
A

REWORK INSTRUCTIONS

H7140 MOTHER BD. #JA 5413615-0-0 H

5413615-0-0 H

8 7 6 5 4 3 2 1 TW



REV	DATE	BY	CHKD
1	11-2-78	R. WOLF	
2	12-2-78	A. KANTAROS	
3	1-6-79	R. E. ZECHE	
4	2-6-79	K. KNOWLES	

DRN. <i>[Signature]</i>	11-2-78	FIRST USED ON	H7140
CHK'D. <i>[Signature]</i>	12-2-78	TITLE	H7140
ENGR. <i>[Signature]</i>	2-6-79	NUMBER	CS 5413615-0-1
PROD. ENGR. <i>[Signature]</i>	3-6-79	REV.	H
PROJ. <i>[Signature]</i>	2-6-79	SCALE	
NEXT HIGHER ASSY.		SHEET	1 OF 1



LINE	ITEM	DOCUMENT NUMBER	PART NUMBER	DESCRIPTION	QTY PER VARIATION	REFERENCE DESIGNATOR
1	1	D-MD-5013614-0-0	5013614-00	DRILL & ETCH BD	1	
2	2		1004813-00	10 MFD 20V 10% S.TANT	1	C2
3	3		1012607-00	560 MFD 20V H% 672D AL EL	1	C8
4	4		1012607-00	390 MFD 20V H% 670 AL EL	4	C4-C7
5	5		1013280-00	680.0 MMF1000V 5%200PPM	1	C1
6	6		1014229-00	1500 MFD 16V +75-10% AL EL	2	C9,C3
7	7		1016169-00	5600 MFD 6.3V +75,-10% AL EL	1	C10
8	8		1110854-00	1N 5353B VZ= 16.0V 5% .40W M	1	D5
9	9		1100125-00	1N 758A VZ= 10.0 5% .40W PPE	2	D1,D2
10	10		1112594-01	A115B PIV=200 I= 3A	1	D6
11	11		1112595-01	A114B PIV=200 I= 1A	1	D4
12	12		1112595-02	A114M PIV=600 I= 1A	1	D3
13	13		1215341-01	HEADER 10POS VERTICAL	1	J1
14	14		1211004-00	SOCKET,100 28POS BOTTOM MOUNT	4	J12,J13,J11,J8
15	15		1211004-04	SOCKET,100 40POS	1	J7
16	16		1211004-05	SOCKET,100 50POS	2	J6,J10
17	17		1216122-01	HEADER,156 7POS KEYED	1	J5
18	18		1216122-02	HEADER,156 15POS KEYED	1	J9
19	19		1216122-04	HEADER,156 3POS	1	J14
20	20		1216122-05	HEADER,156 6POS	1	J4
21	21		1300229-00	100.0 .25 W 5.0 % CC	1	R9
22	22		1300348-00	580.0 2.0 W 5.0 % CC	3	R4-R6
23	23		1300456-00	5.60 K 2.0 W10.0 % CC	2	R7,R8
24	24		1316207-00	3.0 K 7W+,-5% WW	1	R3
25	26		1316209-00	17.0 K 7W+,-5% WW	2	R1,R2
26	27		1616215-00	XFMR P=240/360 S=5V	1	T1
27	28		7422391-00	SUPPORT,MOTHER BOARD	1	
28	29		9008219-00	TERM QUICK 1POS ADAPTER	2	J2,J3
29	31		9009000-00	FYELET, ROLLED FLANGE, .121 OD X	5	
30	32		9107688-55	WIRE(WRAP)24AWG UL1327 A/R		

REVISION HISTORY		BASIC PART NO: 5413615		DPN:	M.CICCONE	DATE:	27-MAR-79	DIGITAL			
ENG	ECO NUMBER	REV	SECTION A OF A	CHK'D:	F.T.GERRY	DATE:	27-MAR-79	TITLE PARTS LIST			
---	INITIAL	D	SECTION VARIATION INDEX	CHK'D:	F.T.GERRY <td>DATE:</td> <td>27-MAR-79 <td colspan="4">MOTHER BOARD</td> </td>	DATE:	27-MAR-79 <td colspan="4">MOTHER BOARD</td>	MOTHER BOARD			
R.W.	TW001	E	(A) 00	DES.ENG:	R.WOLF <td>DATE:</td> <td>27-MAR-79 <td colspan="4">DOCUMENT NUMBER</td> </td>	DATE:	27-MAR-79 <td colspan="4">DOCUMENT NUMBER</td>	DOCUMENT NUMBER			
			(B)	RESP.ENG.:	R.WOLF <td>DATE:</td> <td>27-MAR-79 <td>SIZE</td> <td>CODE</td> <td>NUMBER</td> <td>REV</td> </td>	DATE:	27-MAR-79 <td>SIZE</td> <td>CODE</td> <td>NUMBER</td> <td>REV</td>	SIZE	CODE	NUMBER	REV
			(C)	MFG.ENG.:	P.WAITKUS <td>DATE:</td> <td>6-AUG-79</td> <td>K</td> <td>PL</td> <td>5413615-0-DBP</td> <td>E</td>	DATE:	6-AUG-79	K	PL	5413615-0-DBP	E
			(D)	ASSEMBLY NUMBER:		TOP DOCUMENT NUMBER:		FILE NAME:		EDIT #	
			(E)	ID-UA-5413615-0-0				Z0376E.PLS		7	
			(F)								
			(G)								
			(H)								
			(I)								
			(J)								
			(K)								
			(L)								
			(M)								
			(N)								

"THIS DRAWING AND SPECIFICATIONS HEREIN, ARE THE PROPERTY OF DIGITAL EQUIPMENT CORPORATION AND SHALL NOT BE REPRODUCED OR COPIED OR USED IN WHOLE OR IN PART AS THE BASIS FOR THE MANUFACTURE OR SALE OF ITEMS WITHOUT WRITTEN PERMISSION. COPYRIGHT (C) 1980, DIGITAL EQUIPMENT CORPORATION"

TW

AUTOMATED BY PRTLST.3J(25)

PARTS LIST

SHEET A2 OF A2

LINE ITEM DOCUMENT NUMBER

PART NUMBER

DESCRIPTION

QTY PER VARIATION  
00

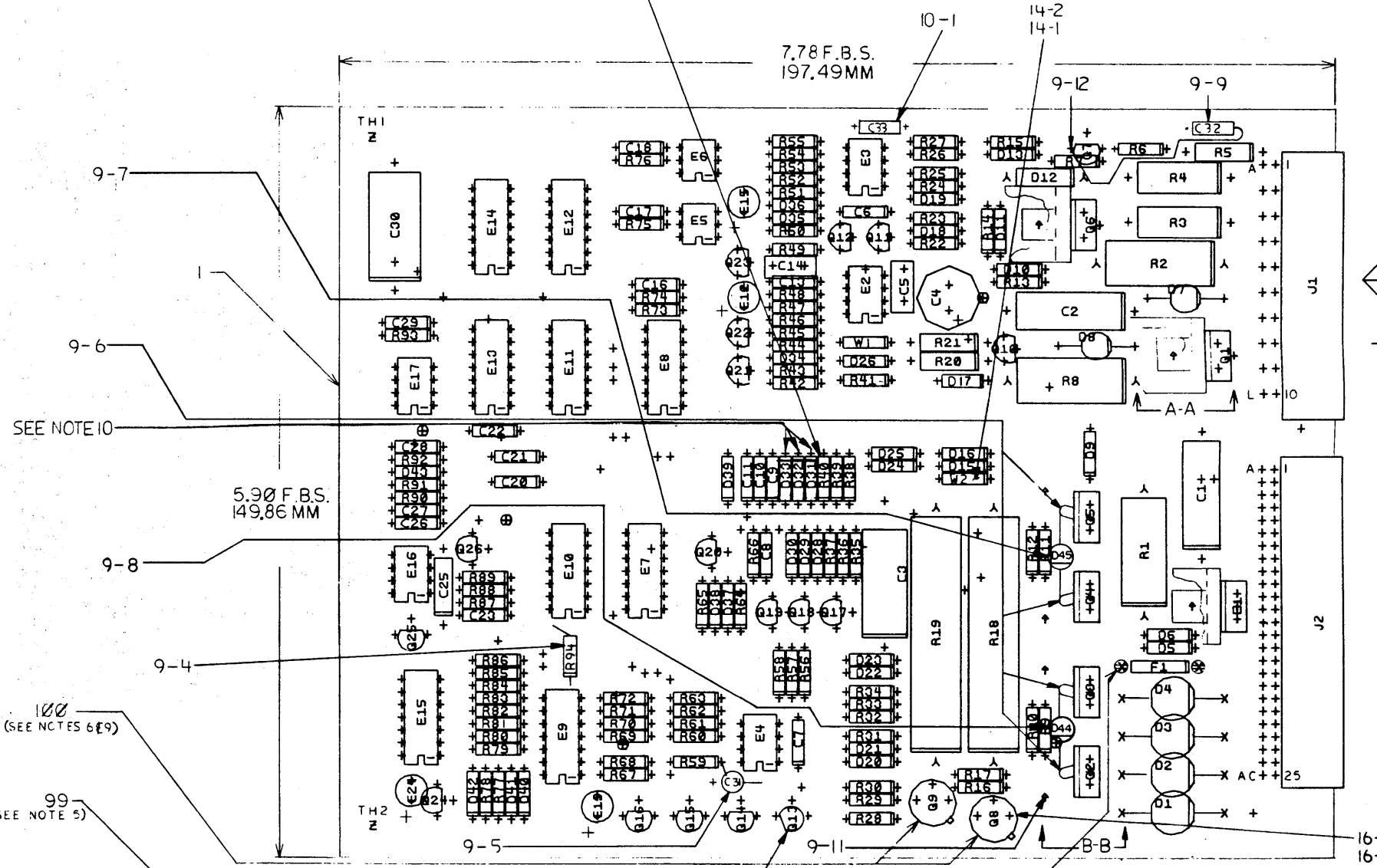
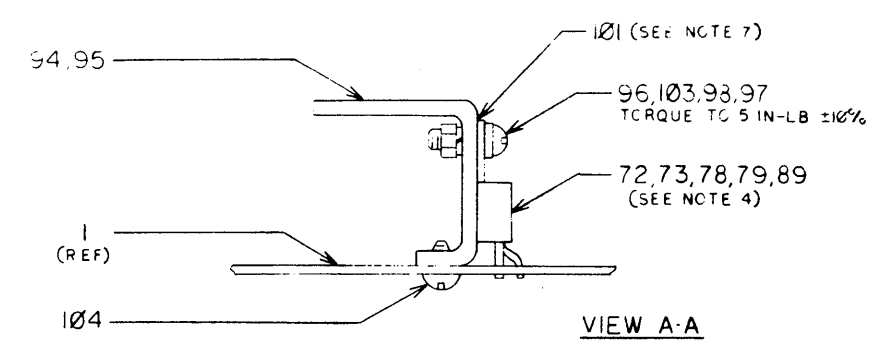
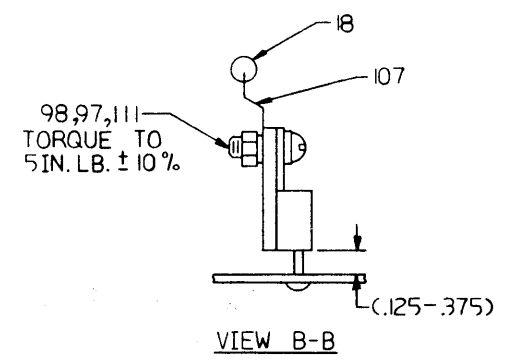
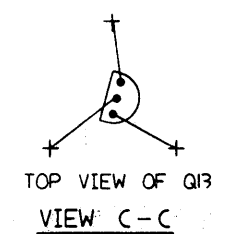
REFERENCE DESIGNATOR

31 NOTE: FOR ITEM #32, 46" IS USED.

D	I	G	I	T	A	L	TITLE	MOTHER BOARD	SECTION A OF A	SIZE	CODE	DOCUMENT NUMBER	REV
										K	PL	5413615-0-DBP	E

TW

THE DESIGN AND SPECIFYING OF THIS PRODUCT ARE THE PROPERTY OF THE EQUIPMENT CORPORATION AND SHALL NOT BE REPRODUCED OR TRANSMITTED IN ANY FORM OR BY ANY MEANS, ELECTRONIC OR MECHANICAL, INCLUDING PHOTOCOPYING, RECORDING, OR BY ANY INFORMATION STORAGE AND RETRIEVAL SYSTEM, WITHOUT THE WRITTEN PERMISSION OF THE EQUIPMENT CORPORATION.  
 COPYRIGHT © 1968



NOTES:

1. STEP AND REPEAT CODE 2ML 39
2. R18, R19 MUST BE RAISED .125 TO .150
3. D1-D4, R1, R2, R8 MUST BE RAISED .05 TO .10
4. E1 AND Q1-Q6, MUST BE MOUNTED TO HEAT SINK BEFORE BEING ATTACHED TO PCB. SEE VIEW A-A.
5. EYELET ITEM NO. 99, USED IN MOUNTING HOLES OF F1.
6. USE TRANSIPAD ITEM NO. 100, UNDER Q9
7. USE THERMAL COMPOUND ITEM NO. 101, BETWEEN E1, Q1-Q6, AND HEAT SINK'S.
8. FOR INSTALLATION OF Q13 (ITEM # 69) SEE VIEW C-C.

9. ASSEMBLE QTY2 OF ITEM 100 WITH SMOOTH SURFACES TOGETHER UNDER Q8.
10. NOTE POLARITY OF D31, D32, D33.

STEP	REV	DESCRIPTION	DATE
1	1	INITIAL RELEASE	1-4-80
2	1	REVISION	1-17-80
3	1	REVISION	1-2-80
4	1	REVISION	1-2-80
5	1	REVISION	10-9-80

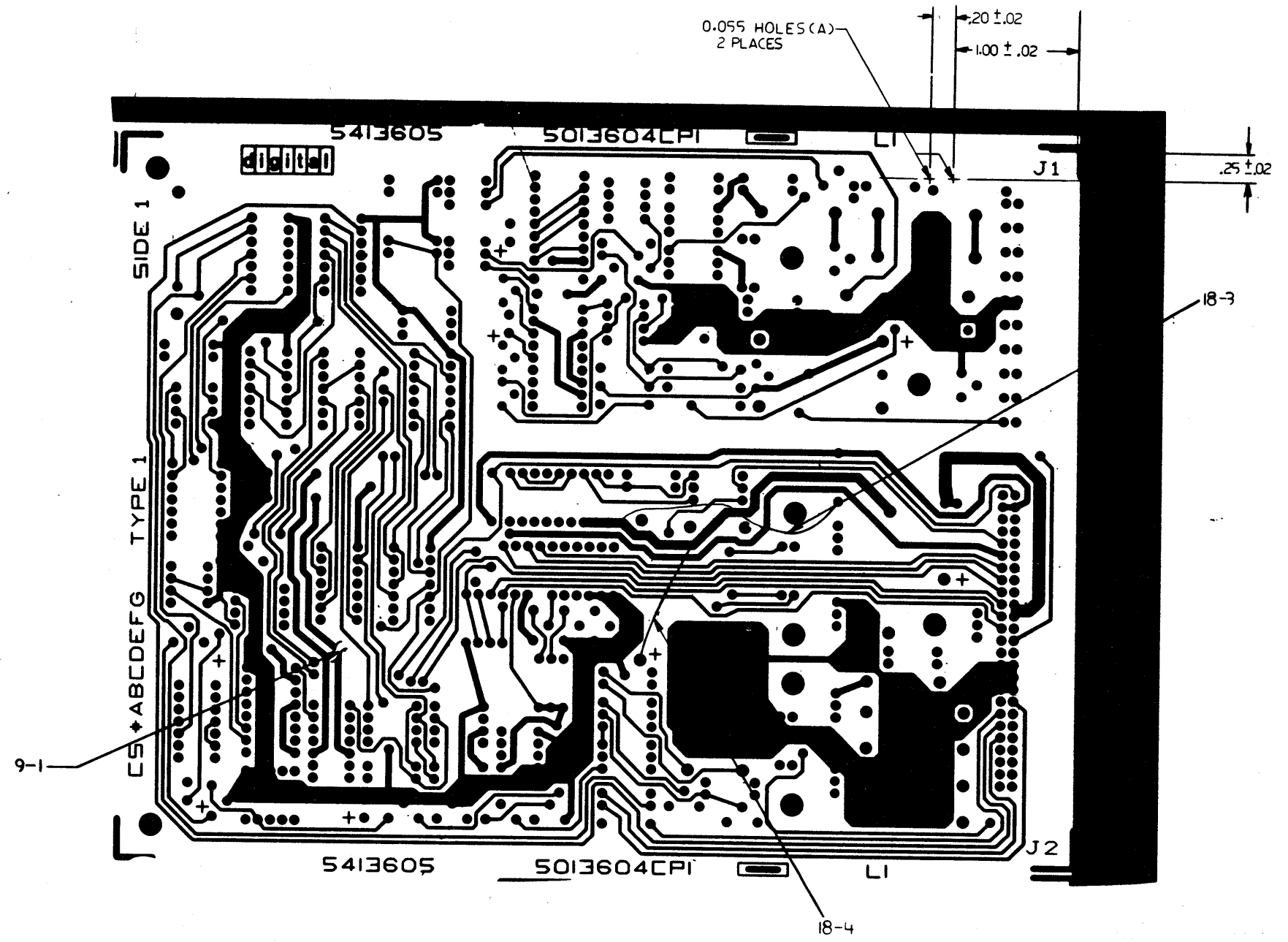
CHANGE NO	REV	DESCRIPTION	DATE
5413605-TW4	E	R. WOLF	1-4-80
5413605-TW4	F	R. WOLF	1-17-80
5413605-TW4	G	E. CROCKER	1-2-80
5413605-TW4	H	R. HEATON	1-2-80
5413605-TW4	I	R. HEATON	1-2-80
5413605-TW4	J	K. KNOWLES	1-2-80
5413605-TW4	K	K. KNOWLES	1-2-80
5413605-TW4	L	R. HEATON	1-2-80
5413605-TW4	M	R. HEATON	1-2-80
5413605-TW4	N	D. GARDNER	1-2-80
5413605-TW4	O	C. SMOOLIKAS	1-2-80

ETCH REV.	CPI
-----------	-----

SIGNATURES	DATE	digital
DRN. <i>[Signature]</i>	1-4-80	
CHK'D. <i>[Signature]</i>	1-17-80	TITLE BIAS AND INTERFACE BOARD
MECH. ENG. <i>[Signature]</i>	1-2-80	
PROJ. ENG. <i>[Signature]</i>	1-2-80	SCALE
PROD. <i>[Signature]</i>	10-9-80	
SHT. 1 OF 3		SIZE CODE
NEXT HIGHER ASSY. B-DD-5413605-0		NUMBER
		REV
		D UA 5413605-0-0

DUA 5413605-C-0 N

THIS DRAWING AND SPECIFICATIONS HEREON ARE THE PROPERTY OF DIGITAL EQUIPMENT CORPORATION AND SHALL NOT BE REPRODUCED OR COPIED OR USED IN WHOLE OR IN PART AS THE BASIS FOR THE MANUFACTURE OF BILLS OF MATERIAL WITHOUT WRITTEN PERMISSION OF DIGITAL EQUIPMENT CORPORATION.  
DIGITAL EQUIPMENT CORPORATION



REVISION HISTORY	REV.
DATE	ECO NUMBER

TITLE			
BIAS AND INTERFACE BOARD			
DOC NO	CLASS	REV	
DUA	5413605-C-0		N
SCALE	SHEET	OF	
2/1	2	3	

DOCUMENT NUMBER			
DOC NO	CLASS	REV	
DUA	5413605-C-0		N
SCALE	SHEET	OF	
tw	1		

THIS DRAWING AND SPECIFICATIONS HEREIN ARE THE PROPERTY OF DIGITAL EQUIPMENT CORPORATION AND SHALL NOT BE REPRODUCED OR COPIED OR USED IN WHOLE OR IN PART AS THE BASIS FOR THE MANUFACTURE OR SALE OF ITEMS WITHOUT WRITTEN PERMISSION.  
 COPYRIGHT © DIGITAL EQUIPMENT CORPORATION

D  
C  
B  
A

D  
C  
B  
A

REWORK INSTRUCTIONS  
 ECO #9  
 ETCH CUTS SIDE 1:  
 9-1 CUT ETCH FROM E9-3 TO C20.  
  
 ETCH CUTS SIDE 2:  
 9-2 CUT ETCH FROM Q4-C TO Q5-C.  
 9-3 CUT ETCH FROM Q2-C TO Q3-C.  
  
 COMPONENT ADDS SIDE 1  
 9-4 INSTALL R94 ACROSS ETCH CUT 9-1 BY TACK SOLDER AS SHOWN.  
 9-5 INSTALL POS. END OF C31 TO END OF R59 ADJACENT TO E4 USING A .125" LENGTH OF TUBING (ITEM 110) AND SOLDERING NEG. END TO ETCH BETWEEN E4 AND Q14.  
 9-6 INSTALL SOLDER TERMINALS (ITEM 107) ON COLLECTOR TABS OF Q2-Q5 USING EXISTING HARDWARE AS SHOWN.  
 9-7 CONNECT D45 TO TERMINALS ON Q4 AND Q5 WITH CATHODE (BLACK BAND) CONNECTED TO Q4.  
 9-8 CONNECT D44 TO TERMINALS ON Q2 AND Q3 WITH CATHODE (BLACK BAND) CONNECTED TO Q2.  
 9-9 INSTALL C32 BY DRILLING TWO .055 HOLES (AS SHOWN ON SHEET 2 OF 3 OF THE UA PRINT) AND INSTALL GRIPLET (P/N 12-10244-01) IN HOLE NEAREST EDGE CONNECTOR ONLY. TACK SOLDER TO ETCH BETWEEN R5 AND R6 ON SIDE 2.  
  
 COMPONENT DELETE SIDE 1:  
 9-10 REMOVE HEAT SINKS (ITEM 95) FROM Q2-Q5.  
  
 COMPONENT DELETE SIDE 2:  
 9-11 REMOVE FOUR(4) TAPPING SCREWS (ITEM 104) USED TO SECURE HEAT SINKS (ITEM 95).  
  
 WIRE ADDS SIDE 1:  
 9-12 INSTALL WIRE (ITEM 114) IN HOLE WITH GRIPLET AND CONNECT TO Q7 COLLECTOR.

REWORK INSTRUCTIONS  
 ECO #10  
 COMPONENT ADD SIDE 1:  
 10-1 ADD C33 BY HANDDRILLING 2 .055 HOLES AND TACK SOLDERING ONE LEAD TO RUN THAT E3-PIN 3 IS ATTACHED TO, AND TACK SOLDERING THE OTHER LEAD TO RUN THAT IS ATTACHED TO E3-PIN 4 (BOTH CONNECTIONS SHOULD BE TACK SOLDERED ON SIDE #2).  
  
 REWORK INSTRUCTIONS  
 ECO #12  
 COMPONENT DELETE SIDE 1  
 12-1 DELETE R40, DEC P/N 1300439-00.  
  
 COMPONENT ADD SIDE 1  
 12-2 ADD R40, DEC P/N 130890-00.  
  
 REWORK INSTRUCTIONS  
 ECO #14  
 COMPONENT DELETE SIDE 1  
 14-1 REMOVE D14  
  
 WIRE ADD SIDE 1  
 14-2 ADD JUMPER (ITEM 102) IN PLACE OF D14.  
  
 REWORK INSTRUCTIONS ECO #16  
 COMPONENT DELETES SIDE 1  
 16-1 REMOVE Q8 P/N 15-10759-00 AND DISCARD  
 COMPONENT ADDS SIDE 1  
 16-2 ADD Q8 P/N 15-10759-00 WITH QTY 2 OF ITEM 100 PREASSEMBLED WITH SMOOTH SURFACES TOGETHER  
  
 REWORK INSTRUCTIONS PER ECO#5013604-Tw18  
 ETCH CUTS SIDE 1:  
 18-1 CUT ETCH AT JUNCTION OF R38, R39, AND R40.  
 SIDE 2  
 18-2 CUT ETCH AT JUNCTION OF R38, R39, AND R40.  
 CONT...

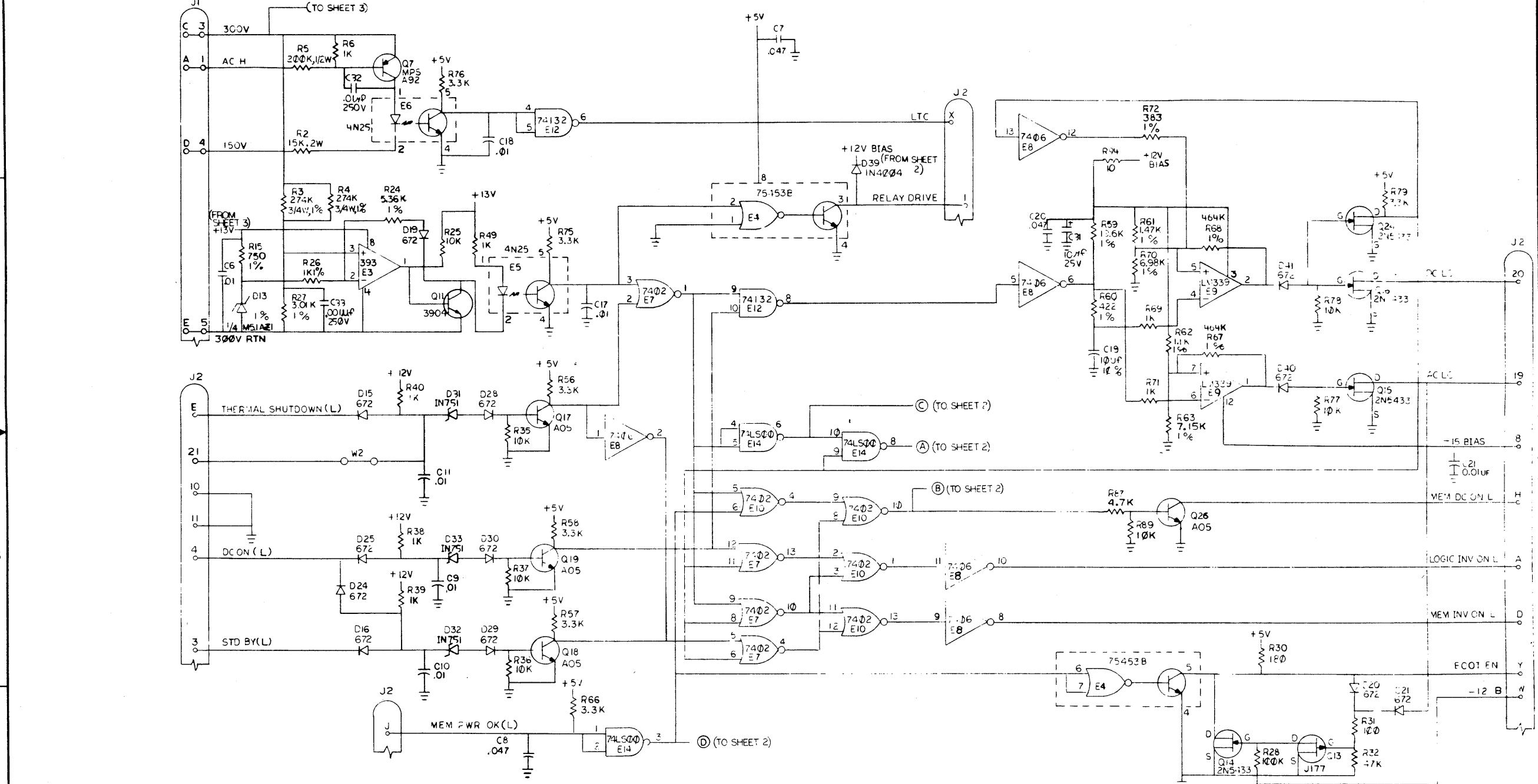
WIRE ADDS SIDE 1:  
 18-3 ADD JUMPER ITEM 114 FROM JUNCTION OF R38, R39 AND R40 TO D9 CATHODE.  
 18-4 ADD JUMPER ITEM 120 FROM POSITIVE SIDE OF C3 TO JUNCTION OF R1, E1-2.

REVISION HISTORY		
DATE	ECO NUMBER	REV

DOCUMENT NUMBER		REV
SIZE CODE	NUMBER	N
DJA	5413605-0-0	
SCALE	2/1	SHEET 3 OF 3

TITLE  
 BIAS AND  
 INTERFACE BOARD

THIS DRAWING AND SPECIFICATIONS HEREON ARE THE PROPERTY OF DIGITAL EQUIPMENT CORPORATION AND SHALL NOT BE REPRODUCED OR COPIED IN WHOLE OR IN PART AS THE BASIS FOR THE MANUFACTURE OR SALE OF THIS EQUIPMENT WITHOUT PERMISSION.  
COPYRIGHT © 1976 DIGITAL EQUIPMENT CORPORATION



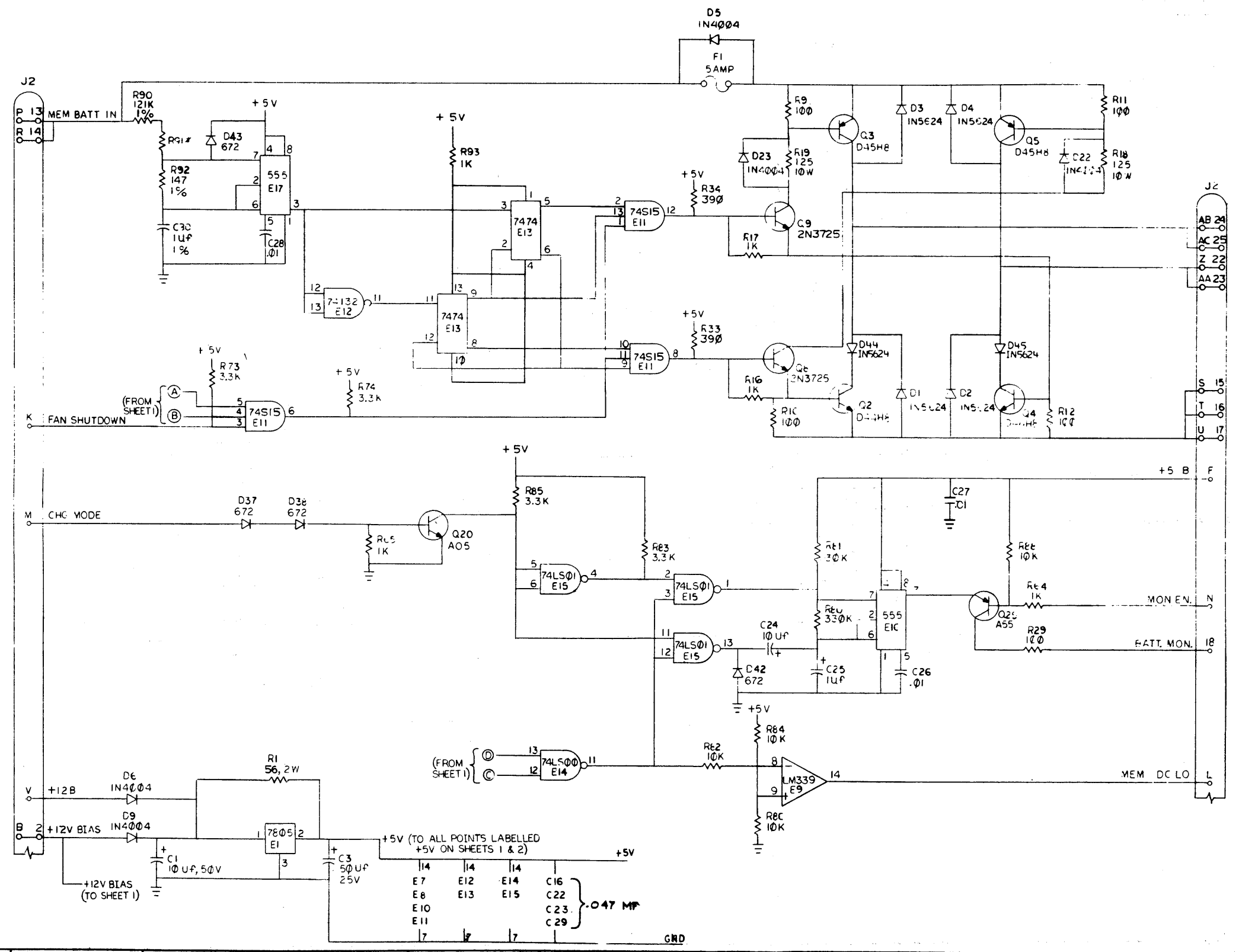
REV.	BY	DATE	DESCRIPTION
1	R. WOLF	12/17/75	INITIAL DESIGN
2	R. WOLF	1/14/76	REVISED FOR MANUFACTURE
3	R. WOLF	2/11/76	REVISED FOR MANUFACTURE
4	R. WOLF	3/10/76	REVISED FOR MANUFACTURE
5	R. WOLF	4/7/76	REVISED FOR MANUFACTURE
6	R. WOLF	5/5/76	REVISED FOR MANUFACTURE
7	R. WOLF	6/2/76	REVISED FOR MANUFACTURE
8	R. WOLF	7/1/76	REVISED FOR MANUFACTURE

DRN. 104	FIRST USED ON	
CHK'D	TITLE	
ENG. 104	BIAS AND INTERFACE BOARD	
PROJ. ENG. 104	NUMBER	
PROG. 104	5413605-0-1	REV
NEXT HIGHER ASSY.	SCALE	
	SHEET	OF 3
	DIST.	

THIS DRAWING AND SPECIFICATIONS HEREIN ARE THE PROPERTY OF DIGITAL EQUIPMENT CORPORATION AND SHALL NOT BE REPRODUCED OR COPIED OR USED IN WHOLE OR IN PART AS THE BASIS FOR THE MANUFACTURE OR SALE OF ITEMS WITHOUT WRITTEN PERMISSION. DIGITAL EQUIPMENT CORPORATION © 1978

DCS 5413605-0-1 2

COMPONENT DESIGNATORS	-00 VAR	YA VAR
R91	5.36K 1%	40.2K 1%

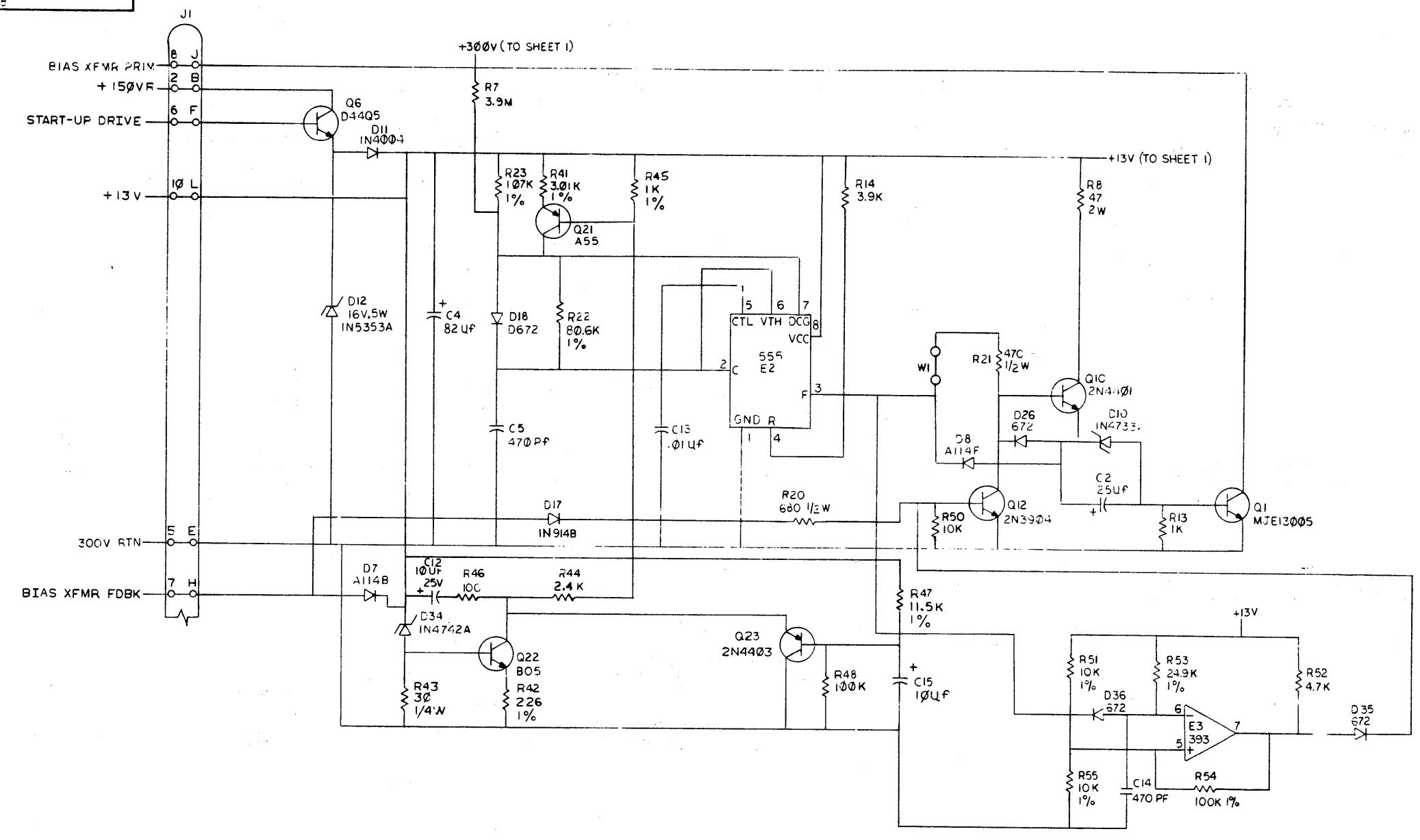


REVISIONS		
CHK	CHANGE NO.	REV.

TITLE: BIAS AND INTERFACE BOARD  
 SIZE CODE: DCS 5413605-0-1  
 NUMBER: 2 OF 3  
 REV. 1

REV. 1  
 NUMBER DCS 5413605-0-1

THIS DRAWING AND SPECIFICATIONS HEREIN ARE THE PROPERTY OF DIGITAL EQUIPMENT CORPORATION AND SHALL NOT BE REPRODUCED OR COPIED OR USED IN WHOLE OR IN PART AS THE BASIS FOR THE MANUFACTURE OR SALE OF ITEMS WITHOUT WRITTEN PERMISSION. DIGITAL EQUIPMENT CORPORATION. COPYRIGHT © 1975



REVISIONS		
CHK	CHANGE NO.	REV.

TITLE	BIAS AND INTERFACE BOARD	SIZE/CODE	D CS	NUMBER	5413605-0-1	REV	P
SCALE	1" = 1"	SHEET	3	OF	3	DIST.	



AUTOMATED BY PRTLST.3L(40)

PARTS LIST

SHEET A1 OF A3

LINE	ITEM	DOCUMENT NUMBER	PART NUMBER	DESCRIPTION	QTY PER VARIATION	REFERENCE DESIGNATOR
1	1	D-MD-5013604-0-0	5013604-00	DRILL & ETCH BD	1	
2	2		1000024-00	470.0 MMF 100V 5%200PPM MICA	2	C5,C14
3	3		1000070-00	10 MFD 50V+100-10% AL EL	1	C1
4	4		1000075-00	25 MFD 25V +75-10% AL EL	1	C2
5	5		1001610-00	.01 MFD 50V +80-20% Z5U CER	11	C6,C9-C11,C13,C17,C18,C21, CONT C26-C28
6	6		1001776-00	1 MFD 35V 10% S.TANT	1	C25
7	7		1001796-00	50 MFD 25V +75-10% AL EL	1	C3
8	8		1010866-02	10 MFD 25V +50-20% S.TANT	4	C12,C15,C24,C31
9	9		1012784-00	.047 MFD 50V +80-20% CER	6	C7,C16,C20,C22,C23,C29
10	10		1013252-00	82 MFD 50V+100-10% AL EL	1	C4
11	11		1016138-00	1 MFD 50V 1% M.POLYCARB	1	C30
12	12		1105275-00	D 672 TR= 15NS PIV= 60V SI	23	D15,D16,D18-D21,D24-D26,D28-D33, CONT D35-D38,D40-D43
13	13		1105796-00	1N 4004 PIV=400 I= 1A D041 SP	7	D5,D6,D9,D11,D22,D23,D39
14	14		1105871-00	1/4M5.1AZ1 = 5.1 1% .25W N	1	D13
15	15		1109502-02	1N 4742A VZ= 12.0 5% 1W	1	D34
16	16		1109517-00	1N 914B TR= 4NS PIV= 75V SY	1	D17
17	17		1109943-00	1N 4733A VZ= 5.1 5% 1W Y	1	D10
18	18		1110420-00	1N 5624 PIV=200 I= 5A	6	D1-D4,D44,D45
19	19		1110854-00	1N 5353B VZ= 16.0V 5% .40W M	1	D12
20	20		1112595-00	A114F PIV= 50 I= 1A	1	D8
21	21		1112595-01	A114B PIV=200 I= 1A	1	D7
22	22		1205747-00	FUSE, SUB-MINI, 5.000A, 125V, A	1	F1
23	23		1215112-02	PCB,HEADER 20POS(1X20).156CC 90D	1	J1
24	24		1216112-03	PCB,HEADER 50POS(1X50).156CC 90D	1	J2
25	25		1300229-00	100.0 .25 W 5.0 % CF	7	R9-R12,R29,R31,R46
26	26		1300309-00	390.0 .25 W 5.0 % CF	2	R33,R34
27	27		1300315-00	470.0 .50 W 5.0 % CF	1	R21
28	28		1300347-00	680.0 .50 W 5.0 % CF	1	R20

REVISION HISTORY		BASIC PART NO: 5413605		DRN:	J.FERGUSON	DATE:	16-OCT-80	D I G I T A L			
ENG:	ECO NUMBER	REV	SECTION A OF A	CHK'D:	F.GAROFALO	DATE:	16-OCT-80	TITLE PARTS LIST			
---	INITIAL	E	SECTION VARIATION INDEX	DES.ENG:	R.WOLF	DATE:	16-OCT-80	BIAS AND INTERFACE BD			
EC	5413605-TW009	F	[A] 00	RESP.ENG.:	R.WOLF	DATE:	16-OCT-80	DOCUMENT NUMBER			
RH	5413605-TW010	H	[B]	MFG.ENG.:	J.COMELLA	DATE:	16-OCT-80	SIZE	CODE	NUMBER	REV
KK	5413605-TW012	J	[C]	ASSEMBLY NUMBER:	D-UA-5413605-0-0	TOP DOCUMENT NUMBER:	B-DD-5413605-0-0	K	PL	5413605-0-DBP	M
KK	5413605-TW014	K	[D]	FILE NAME:	Z0402M.PLS	EDIT	*				
RH	5413605-TW015	L	[E]								
KK	5413605-TW016	M	[F]								
			[H]								
			[J]								
			[K]								
			[L]								
			[M]								
			[N]								

"THIS DRAWING AND SPECIFICATIONS HEREIN, ARE THE PROPERTY OF DIGITAL EQUIPMENT CORPORATION AND SHALL NOT BE REPRODUCED OR COPIED OR USED IN WHOLE OR IN PART AS THE BASIS FOR THE MANUFACTURE OR SALE OF ITEMS WITHOUT WRITTEN PERMISSION. COPYRIGHT (C) 1983. DIGITAL EQUIPMENT CORPORATION "

AUTOMATED BY PRTLST.3L(40)

PARTS LIST

SHEET A2 OF A3

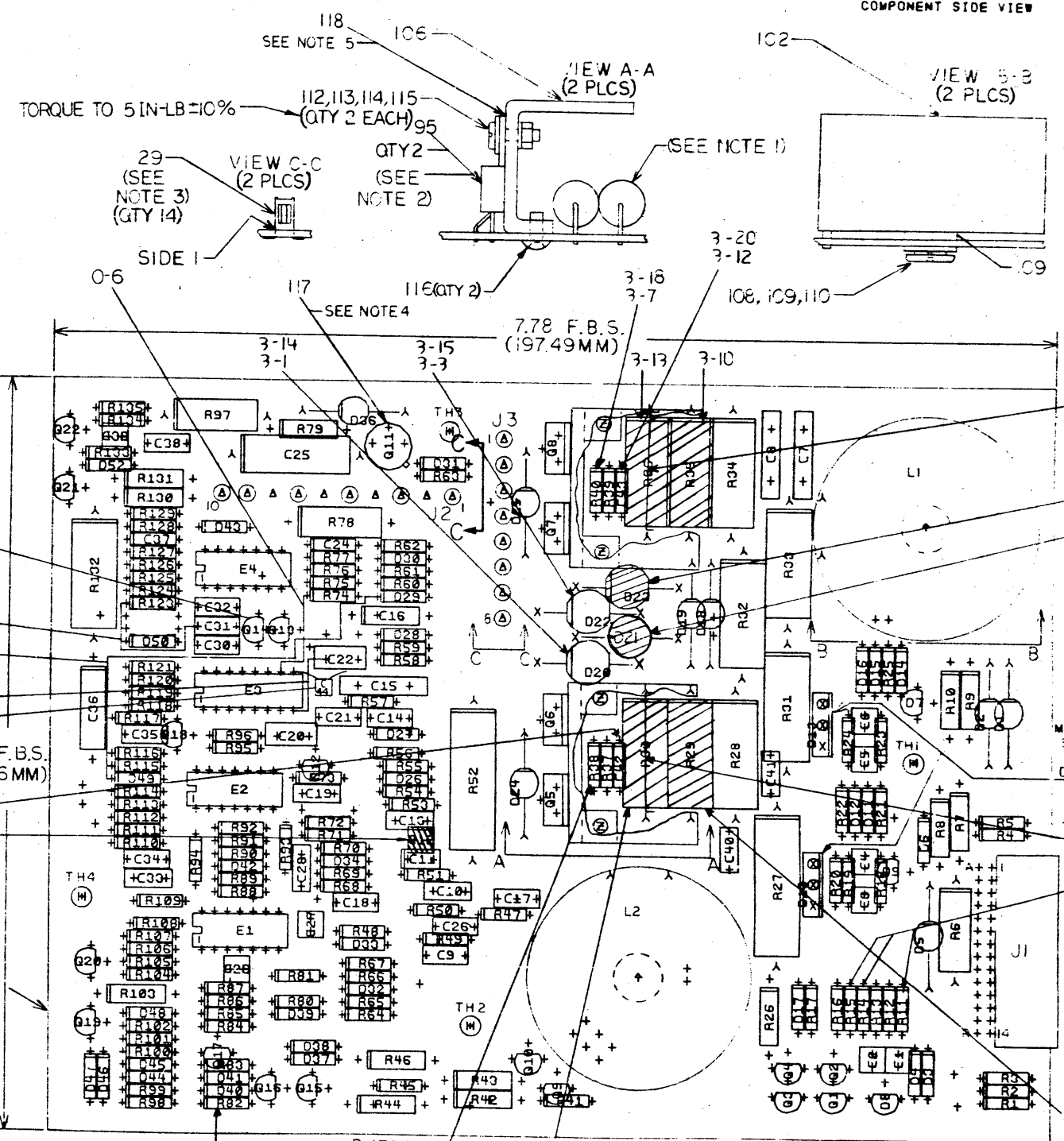
LINE	ITEM	DOCUMENT NUMBER	PART NUMBER	DESCRIPTION	QTY	PER VARIATION	REFERENCE DESIGNATOR
					00		
29	29		1300365-00	1.0 K .25 W 5.0 % CF	10		R6,R13,R16,R17,R49,R64,R65,R69, R71,R93
30	30		1300439-00	3.30 K .25 W 5.0 % CF	13	CONT	R38,R39,R56-R58,R66,R73-R76,R79, R83,R85
31	31		1300444-00	3.90 K .25 W 5.0 % CF	1		R14
32	32		1300447-00	4.70 K .25 W 5.0 % CF	2		R52,R87
33	33		1300479-00	10.0 K .25 W 5.0 % CF	12	CONT	R25,R35-R37,R50,R77,R78,R82,R84, R86,R88,R89
34	34		1301322-00	180.0 .25 W 5.0 % CF	1		R30
35	35		1302091-00	330.0 K .25 W 5.0 % CF	1		R80
36	36		1302177-00	47.0 K .25 W 5.0 % CF	1		R32
37	37		1302334-00	15.0 K 2.0 W 5.0 % CC	1		R2
38	38		1302394-00	30.0 K .25 W 5.0 % CF	1		R81
39	39		1302466-00	100.0 K .25 W 5.0 % CF	2		R28,R48
40	40		1302479-00	200.0 K .50 W 5.0 % CF	1		R5
41	41		1302644-00	226.0 .25 W 1.0 % RN55D-F10	1		R42
42	42		1302645-00	1.10 K .25 W 1.0 % RN55D-F10	1		R62
43	43		1302748-00	1.0 K .25 W 1.0 % RN55C-F 5	2		R26,R45
44	44		1302751-00	30.0 .25 W 5.0 % CF	1		R43
45	45		1302836-00	56.0 2.0 W 5.0 % CC	1		R1
46	46		1302860-00	11.50 K .25 W 1.0 % RN55D-F10	1		R47
47	47		1302874-00	147.0 .25 W 1.0 % RN55D-F10	1		R92
48	48		1302955-00	750.0 .25 W 1.0 % RN55D-F10	1		R15
49	49		1303067-00	422.0 .25 W 1.0 % RN55D-F10	1		R60
50	50		1303177-00	2.40 K .25 W 5.0 % CF	1		R44
51	51		1303305-00	6.98 K .25 W 1.0 % RN55D-F10	1		R70
52	52		1303322-00	274.0 K .75 W 1.0 % RN65D-F10	2		R3,R4
53	53		1303438-00	121.0 K .25 W 1.0 % RN55D-F10	1		R90
54	54	BLANK		*** THIS ITEM IS NOT USED ***	-		
55	55		1305108-00	1.47 K .25 W 1.0 % RN55D-F10	1		R61
56	56		1305125-00	383.0 .25 W 1.0 % RN55D-F10	1		R72
57	57		1305253-00	7.15 K .25 W 1.0 % RN55D-F10	1		R63
58	58		1305357-00	125.0 10.0 W 5.0 % WW	2		R18,R19
59	59		1309419-00	19.60 K .25 W 1.0 % RN55D-F10	1		R59
60	60		1305405-00	24.90 K .25 W 1.0 % RN55D-F10	1		R53
61	61		1313341-00	5.36 K .25 W 1.0 % RN55D-F10	2		R24,R91
62	62		1313775-00	80.60 K .25 W 1.0 % RN55D-F10	1		R22
63	63		1313843-00	107.0 K .25 W 1.0 % RN55D-F10	1		R23
64	64		1314023-00	47.0 2.0 W 5.0 % CC	1		R8
65	65		1314041-00	3.01 K .25 W 1.0 % RN55D-F10	2		R27,R41
66	66		1303043-00	464.0 K .25 W 1.0 % RN55D-F10	2		R67,R68
67	67		1314387-00	3.90 M .25 W 5.0 % CF	1		R7
68	68		1509524-00	2N 3904 NPN 310MW SI 40 40 M	2		Q11,Q12
69	69		1517832-00	J 177 FET 360MW SI P CHNNL	1		Q13
70	70		1510705-00	XA 05 NPN 500MW SI 60 50 P	5		Q17-Q20,Q26
71	71		1510706-00	XA 55 PNP 500MW SI 60 50 P	2		Q21,Q25
72	72		1510707-00	D 44H8 NPN 25W SI 60Q2A	2		Q2,Q4
73	73		1510708-00	D 45H8 PNP 50WT SI 60 60 Y	2		Q3,Q5

D	I	G	I	T	A	L	TITLE	SECTION A OF A	SIZE	CODE	DOCUMENT NUMBER	REV
							BIAS AND INTERFACE BD		K	PL	5413605-0-DBP	M

LINE ITEM	DOCUMENT NUMBER	PART NUMBER	DESCRIPTION	QTY PER VARIATION 00	REFERENCE DESIGNATOR
74	74	1510959-00	2N 3725 NPN 3.5WC SI 50 60 P	2	Q8,Q9
75	75	1511686-00	DEC5433 FET N 350MW 10 25 1A	4	Q14-Q16,Q24
76	76	1513489-00	2N 4401 NPN 350MW SI 40 20	1	Q10
77	77	1513490-00	2N 4403 PNP 350MW SI-40 30	1	Q23
78	78	1514271-01	D 44Q5 NPN 31W SI225 30	1	Q6
79	79	1516119-00	NPN 75W SI	1	Q1
80	80	1516121-00	MPS A92 PNP 625MW SI300 25	1	Q7
81	81	1905547-00	7474 FF-D DUAL,EDGE TRIGG	1	E13
82	82	1909004-00	DEC 7402 NOR GATE-QUAD 2IN	2	E7,E10
83	83	1910538-00	74S15 AND GATE-TRIPLE 3IN	1	E11
84	84	1910741-00	7406 INVERTER GATE-HEX 1I	1	E8
85	85	1911036-00	75453 DRIVER,PERIPH,DUAL,	1	E4
86	86	1911637-00	74132 NAND GATE-QUAD 2 IN	1	E12
87	87	1911944-00	555CN TIMER,FUNCT.BLOCK	2	E2,E16
88	88	1912108-00	339 VOLT CMPRTR,QUAD	1	E9
89	89	1912536-01	7805 VOLT REG,FIX +5V	1	E1
90	90	1912799-00	LS00 NAND-GATE-QUAD 2IN,P	1	E14
91	91	1912800-00	LS01 NAND-GATE-QUAD 2IN,P	1	E15
92	92	1914156-00	LM 393 VOLT.COMPARATOR DUAL	1	E3
93	93	1914194-00	OPTP-COUPLED ISOLATOR	2	E5,E6
94	94	C-MD-7422046-0-0	HEAT SINK,SINGLE	3	
95	95	BLANK	*** THIS ITEM IS NOT USED ***	-	
96	96	9006011-01	SCREW,MACH PAN PHIL 4-	3	
97	97	9006556-00	NUT,HEX 4-40X .264AF SS/N	7	
98	98	9006688-00	WASHER,HELICAL SPLIT SST	7	
99	99	9006735-00	EYELET,FUNNEL 0.0590DX0.187	2	
100	100	9007201-00	PAD,MOUNTING,COMPONENT	3	
101	101	9008268-00	COMPOUND, THERMAL JOINT	A/R	
102	102	9009185-00	JUMPER, WIRE, INSULATED, BLACK B	2	W1,W2
103	103	9009769-00	WASHER,RECTNGLR STEEL	3	
104	104	9010128-00	SCREW,TAP PAN PHIL THD RL 4-	3	
105	105	1303312-00	10.0 K .25 W 1.0 % RN55D-F10	2	R51,R55
106	106	1303044-00	100.0 K .25 W 1.0 % RN55D-F10	1	R54
107	107	9006761-00	TERM,LUG #6STUD LOCKING 45	4	
108	108	1010978-32	.047 MFD 50V 10% CER	1	C8
109	109	1301317-00	10.0 .25 W 5.0 % CF	1	R94
110	110	9107256-00	TUBING,TEFLON .027ID	A/R	
111	111	9008301-01	SCREW,MACH PAN PHIL 4-	4	
112	112	1000043-00	1000.0 MMF 250V 20% Y5F DISC	2	C32,C33
113	113	1210244-01	GRIPLET, .050 STRIP FORM	1	
114	114	9105740-55	WIRE(WRAP) 30AWG KYNAR UL14	A/R	
115	115	1301890-00	560.0 .25 W 5.0 % CF	1	R40
116	116	1911944-01	555-1 TIMER FUNCT.BLOCK,5	1	E17
117	117	1018571-00	10 MFD 25V 10% S.TANT	1	C19
118	118	1510705-01	B 05 NPN 500MW SI 60 50	1	Q22

D	I	G	I	T	A	L	TITLE	SECTION A OF A	SIZE	CODE	DOCUMENT NUMBER	REV
							BIAS AND INTERFACE BD		K	PL	5413605-0-DBP	M

THIS DRAWING AND SPECIFICATIONS, HEREIN, ARE THE PROPERTY OF SPECIAL EQUIPMENT CORPORATION AND SHALL NOT BE REPRODUCED OR COPIED IN WHOLE OR IN PART OR THE GROSS OR THE COMPONENTS OR DATA OF THIS DRAWING WITHOUT PERMISSION.  
 COPYRIGHT © 1972 SPECIAL EQUIPMENT CORPORATION



- NOTES:
1. D1, D2, D3, D4, D5, D6, D7, D8, D9, D10, D11, D12, D13, D14, D15, D16, D17, D18, D19, D20, D21, D22, D23, D24, D25, D26, D27, D28, D29, D30, D31, D32, D33, D34, D35, D36, D37, D38, D39, D40, D41, D42, D43, D44, D45, D46, D47, D48, D49, D50, D51, D52, D53, D54, D55, D56, D57, D58, D59, D60, D61, D62, D63, D64, D65, D66, D67, D68, D69, D70, D71, D72, D73, D74, D75, D76, D77, D78, D79, D80, D81, D82, D83, D84, D85, D86, D87, D88, D89, D90, D91, D92, D93, D94, D95, D96, D97, D98, D99, D100, D101, D102, D103, D104, D105, D106, D107, D108, D109, D110, D111, D112, D113, D114, D115, D116, D117, D118, D119, D120, D121, D122, D123, D124, D125, D126, D127, D128, D129, D130, D131, D132, D133, D134, D135, D136, D137, D138, D139, D140, D141, D142, D143, D144, D145, D146, D147, D148, D149, D150, D151, D152, D153, D154, D155, D156, D157, D158, D159, D160, D161, D162, D163, D164, D165, D166, D167, D168, D169, D170, D171, D172, D173, D174, D175, D176, D177, D178, D179, D180, D181, D182, D183, D184, D185, D186, D187, D188, D189, D190, D191, D192, D193, D194, D195, D196, D197, D198, D199, D200, D201, D202, D203, D204, D205, D206, D207, D208, D209, D210, D211, D212, D213, D214, D215, D216, D217, D218, D219, D220, D221, D222, D223, D224, D225, D226, D227, D228, D229, D230, D231, D232, D233, D234, D235, D236, D237, D238, D239, D240, D241, D242, D243, D244, D245, D246, D247, D248, D249, D250, D251, D252, D253, D254, D255, D256, D257, D258, D259, D260, D261, D262, D263, D264, D265, D266, D267, D268, D269, D270, D271, D272, D273, D274, D275, D276, D277, D278, D279, D280, D281, D282, D283, D284, D285, D286, D287, D288, D289, D290, D291, D292, D293, D294, D295, D296, D297, D298, D299, D300, D301, D302, D303, D304, D305, D306, D307, D308, D309, D310, D311, D312, D313, D314, D315, D316, D317, D318, D319, D320, D321, D322, D323, D324, D325, D326, D327, D328, D329, D330, D331, D332, D333, D334, D335, D336, D337, D338, D339, D340, D341, D342, D343, D344, D345, D346, D347, D348, D349, D350, D351, D352, D353, D354, D355, D356, D357, D358, D359, D360, D361, D362, D363, D364, D365, D366, D367, D368, D369, D370, D371, D372, D373, D374, D375, D376, D377, D378, D379, D380, D381, D382, D383, D384, D385, D386, D387, D388, D389, D390, D391, D392, D393, D394, D395, D396, D397, D398, D399, D400, D401, D402, D403, D404, D405, D406, D407, D408, D409, D410, D411, D412, D413, D414, D415, D416, D417, D418, D419, D420, D421, D422, D423, D424, D425, D426, D427, D428, D429, D430, D431, D432, D433, D434, D435, D436, D437, D438, D439, D440, D441, D442, D443, D444, D445, D446, D447, D448, D449, D450, D451, D452, D453, D454, D455, D456, D457, D458, D459, D460, D461, D462, D463, D464, D465, D466, D467, D468, D469, D470, D471, D472, D473, D474, D475, D476, D477, D478, D479, D480, D481, D482, D483, D484, D485, D486, D487, D488, D489, D490, D491, D492, D493, D494, D495, D496, D497, D498, D499, D500, D501, D502, D503, D504, D505, D506, D507, D508, D509, D510, D511, D512, D513, D514, D515, D516, D517, D518, D519, D520, D521, D522, D523, D524, D525, D526, D527, D528, D529, D530, D531, D532, D533, D534, D535, D536, D537, D538, D539, D540, D541, D542, D543, D544, D545, D546, D547, D548, D549, D550, D551, D552, D553, D554, D555, D556, D557, D558, D559, D560, D561, D562, D563, D564, D565, D566, D567, D568, D569, D570, D571, D572, D573, D574, D575, D576, D577, D578, D579, D580, D581, D582, D583, D584, D585, D586, D587, D588, D589, D590, D591, D592, D593, D594, D595, D596, D597, D598, D599, D600, D601, D602, D603, D604, D605, D606, D607, D608, D609, D610, D611, D612, D613, D614, D615, D616, D617, D618, D619, D620, D621, D622, D623, D624, D625, D626, D627, D628, D629, D630, D631, D632, D633, D634, D635, D636, D637, D638, D639, D640, D641, D642, D643, D644, D645, D646, D647, D648, D649, D650, D651, D652, D653, D654, D655, D656, D657, D658, D659, D660, D661, D662, D663, D664, D665, D666, D667, D668, D669, D670, D671, D672, D673, D674, D675, D676, D677, D678, D679, D680, D681, D682, D683, D684, D685, D686, D687, D688, D689, D690, D691, D692, D693, D694, D695, D696, D697, D698, D699, D700, D701, D702, D703, D704, D705, D706, D707, D708, D709, D710, D711, D712, D713, D714, D715, D716, D717, D718, D719, D720, D721, D722, D723, D724, D725, D726, D727, D728, D729, D730, D731, D732, D733, D734, D735, D736, D737, D738, D739, D740, D741, D742, D743, D744, D745, D746, D747, D748, D749, D750, D751, D752, D753, D754, D755, D756, D757, D758, D759, D760, D761, D762, D763, D764, D765, D766, D767, D768, D769, D770, D771, D772, D773, D774, D775, D776, D777, D778, D779, D780, D781, D782, D783, D784, D785, D786, D787, D788, D789, D790, D791, D792, D793, D794, D795, D796, D797, D798, D799, D800, D801, D802, D803, D804, D805, D806, D807, D808, D809, D810, D811, D812, D813, D814, D815, D816, D817, D818, D819, D820, D821, D822, D823, D824, D825, D826, D827, D828, D829, D830, D831, D832, D833, D834, D835, D836, D837, D838, D839, D840, D841, D842, D843, D844, D845, D846, D847, D848, D849, D850, D851, D852, D853, D854, D855, D856, D857, D858, D859, D860, D861, D862, D863, D864, D865, D866, D867, D868, D869, D870, D871, D872, D873, D874, D875, D876, D877, D878, D879, D880, D881, D882, D883, D884, D885, D886, D887, D888, D889, D890, D891, D892, D893, D894, D895, D896, D897, D898, D899, D900, D901, D902, D903, D904, D905, D906, D907, D908, D909, D910, D911, D912, D913, D914, D915, D916, D917, D918, D919, D920, D921, D922, D923, D924, D925, D926, D927, D928, D929, D930, D931, D932, D933, D934, D935, D936, D937, D938, D939, D940, D941, D942, D943, D944, D945, D946, D947, D948, D949, D950, D951, D952, D953, D954, D955, D956, D957, D958, D959, D960, D961, D962, D963, D964, D965, D966, D967, D968, D969, D970, D971, D972, D973, D974, D975, D976, D977, D978, D979, D980, D981, D982, D983, D984, D985, D986, D987, D988, D989, D990, D991, D992, D993, D994, D995, D996, D997, D998, D999, D1000.
  2. CS-2 M.S. BE MOUNTED TO HEAT SINK BEFORE BEING ATTACHED TO PCB. (SEE VIEW A-A)
  3. ITEM 29 TO BE INSERTED IN J3 PINS 1-8 AND 2 PINS 9, 10. PINS 2, 4, 6, 8 ARE EMPTY. (SEE VIEW C-C)
  4. USE TRANSIPAC (REV 117) UNDER Q 11.

CHK	CHANGE	NO	REV
1	SAIKO	TWO	
2	WOLF	2	
3	WOLF	2	
4	WOLF	2	
5	WOLF	2	
6	WOLF	2	
7	WOLF	2	
8	WOLF	2	
9	WOLF	2	
10	WOLF	2	
11	WOLF	2	
12	WOLF	2	
13	WOLF	2	
14	WOLF	2	
15	WOLF	2	
16	WOLF	2	
17	WOLF	2	
18	WOLF	2	
19	WOLF	2	
20	WOLF	2	
21	WOLF	2	
22	WOLF	2	
23	WOLF	2	
24	WOLF	2	
25	WOLF	2	
26	WOLF	2	
27	WOLF	2	
28	WOLF	2	
29	WOLF	2	
30	WOLF	2	
31	WOLF	2	
32	WOLF	2	
33	WOLF	2	
34	WOLF	2	
35	WOLF	2	
36	WOLF	2	
37	WOLF	2	
38	WOLF	2	
39	WOLF	2	
40	WOLF	2	
41	WOLF	2	
42	WOLF	2	
43	WOLF	2	
44	WOLF	2	
45	WOLF	2	
46	WOLF	2	
47	WOLF	2	
48	WOLF	2	
49	WOLF	2	
50	WOLF	2	
51	WOLF	2	
52	WOLF	2	
53	WOLF	2	
54	WOLF	2	
55	WOLF	2	
56	WOLF	2	
57	WOLF	2	
58	WOLF	2	
59	WOLF	2	
60	WOLF	2	
61	WOLF	2	
62	WOLF	2	
63	WOLF	2	
64	WOLF	2	
65	WOLF	2	
66	WOLF	2	
67	WOLF	2	
68	WOLF	2	
69	WOLF	2	
70	WOLF	2	
71	WOLF	2	
72	WOLF	2	
73	WOLF	2	
74	WOLF	2	
75	WOLF	2	
76	WOLF	2	
77	WOLF	2	
78	WOLF	2	
79	WOLF	2	
80	WOLF	2	
81	WOLF	2	
82	WOLF	2	
83	WOLF	2	
84	WOLF	2	
85	WOLF	2	
86	WOLF	2	
87	WOLF	2	
88	WOLF	2	
89	WOLF	2	
90	WOLF	2	
91	WOLF	2	
92	WOLF	2	
93	WOLF	2	
94	WOLF	2	
95	WOLF	2	
96	WOLF	2	
97	WOLF	2	
98	WOLF	2	
99	WOLF	2	
100	WOLF	2	

- NOTES:
5. USE THERMAL COMPOUND (ITEM 118) BETWEEN HEAT SINK AND Q5, 6, 7, 8.

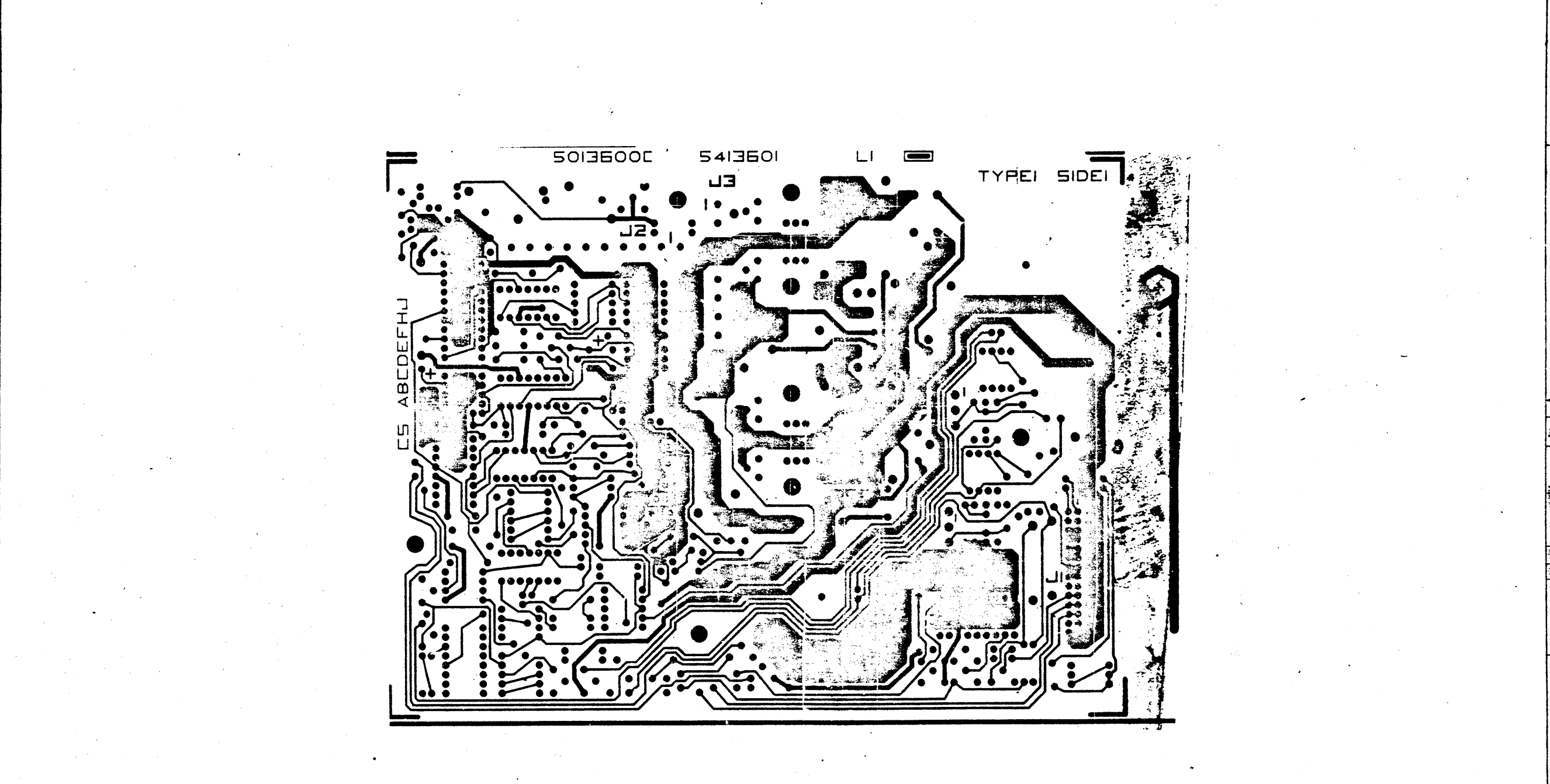
ETCH REV.	C
P.C. DESIGN DATA BASE REV.	CL

SIGNATURES	DATE
DRN.	3-5-79
CHK'D. E. T. GERRY	5-27-79
ENG.	7-20-79
PROJ. ENG.	7-20-79
PROD. F. WOLF	7-15-79
SCALE	2/1
SHT.	1 OF 4
NEXT HIGHER ASSY.	B-CD-5413601-C

digital	
TITLE LOGIC INVERTER CONTROL BOARD	
SIZE CODE	NUMBER
D U A 5413601-C	F
MS#	8800

8 7 6 5 4 3 2 1

ALL DIMENSIONS AND LOCATIONS SHOWN ARE THE PROPERTY OF THE MANUFACTURER AND SHALL BE KEPT IN CONFIDENCE. THIS DRAWING IS NOT TO BE REPRODUCED OR TRANSMITTED IN ANY FORM OR BY ANY MEANS, ELECTRONIC OR MECHANICAL, INCLUDING PHOTOCOPYING, RECORDING, OR BY ANY INFORMATION STORAGE AND RETRIEVAL SYSTEM. FOR THE MANUFACTURER'S USE ONLY. THIS DRAWING IS THE PROPERTY OF THE MANUFACTURER AND SHALL BE KEPT IN CONFIDENCE. ALL RIGHTS RESERVED. EQUIPMENT CORPORATION.

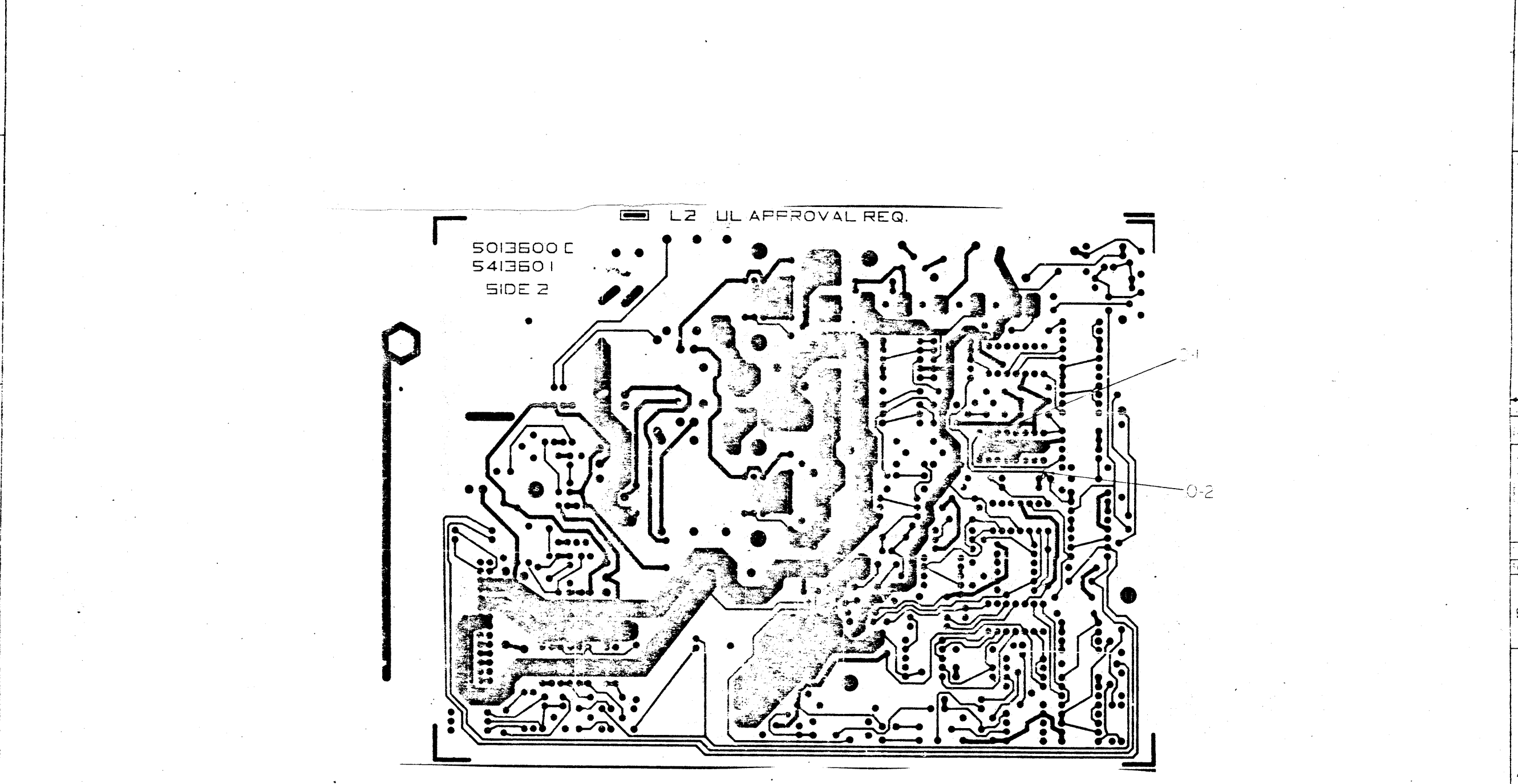


REV	DATE	BY

TITLE	LOGIC INVERTER CONTROL BOARD	SIZE	COG	NUMBER	5413601-0-0	REV	-
SCALE	2:1	SHEET	2	OF	4	DIST	

8 7 6 5 4 3 2 1

6 5 4 3 2 1



REV	DATE	BY

6 5 4 3 2 1

8

DUA 5413601-0-0

6

5

4

3

2

1

THIS DRAWING AND SPECIFICATIONS HEREBY ARE THE PROPERTY OF DIGITAL EQUIPMENT CORPORATION AND SHALL NOT BE REPRODUCED OR COPIED OR USED IN WHOLE OR IN PART AS THE BASIS FOR THE MANUFACTURE OR SALE OF THIS WITHOUT WRITTEN PERMISSION. COPYRIGHT © 1979 DIGITAL EQUIPMENT CORPORATION.

REWORK INSTRUCTIONS:

ETCH CUTS SIDE 2

- 0-1 CUT ETCH ON BOTH SIDES OF E3-10 (2 CUTS)
- 0-2 FROM R74 TO Q18/BASE (CUT NEAR BASE)

WIRE ADD SIDE 1

- 0-3 FROM R123 TO C31
- 0-4 FROM D49/CATHODE TO D29/CATHODE
- 0-5 FROM E3-8 TO C22
- 0-6 FROM E3-10 TO R74.

REWORK INSTRUCTIONS: (ECO#1)

COMPONENT DELETE SIDE 1  
1-1 DELETE C12

REWORK INSTRUCTIONS: (ECO 3)

COMPONENT DELETES SIDE 1:

- 3-1 DELETE D20 DEC P/N 11-12594-01
- 3-2 DELETE D21 DEC P/N 11-12594-01
- 3-3 DELETE D22 DEC P/N 11-12594-01
- 3-4 DELETE D23 DEC P/N 11-12594-01
- 3-5 DELETE R82 DEC P/N 13-00391-00
- 3-6 DELETE R38 DEC P/N 13-00271-00
- 3-7 DELETE R40 DEC P/N 13-00271-00
- 3-8 DELETE R29 DEC P/N 13-11604-00
- 3-9 DELETE R30 DEC P/N 13-11604-00
- 3-10 DELETE R35 DEC P/N 13-11604-00
- 3-11 DELETE C42 DEC P/N 10-12783-00
- 3-12 DELETE C43 DEC P/N 10-12783-00
- 3-13 DELETE R36 DEC P/N 13-11604-00

COMPONENT ADDS SIDE 1:

- 3-14 ADD D20 DEC P/N 11-15273-00
- 3-15 ADD D22 DEC P/N 11-15273-00
- 3-16 ADD R82 DEC P/N 13-00316-00
- 3-17 ADD R38 DEC P/N 13-02379-00
- 3-18 ADD R40 DEC P/N 13-02379-00
- 3-19 ADD C42 DEC P/N 10-11683-00
- 3-20 ADD C43 DEC P/N 10-11683-00

WIRE ADDS SIDE 1:

- 3-21 ADD JUMPER DEC P/N 91-07560-03 IN FORMER LOCATION OF R30
- 3-22 ADD JUMPER DEC P/N 91-07560-03 IN FORMER LOCATION OF R36

REWORK INSTRUCTIONS

ECO#4

COMPONENT DELETES: SIDE 1

- 4-1 REMOVE R11, DEC P/N 1300365-00.
- 4-2 REMOVE R14, DEC P/N 1300365-00.
- 4-3 REMOVE R15, DEC P/N 1300365-00.
- 4-4 REMOVE Q14, DEC P/N 1510706-00.

COMPONENT ADDS: SIDE 1

- 4-5 ADD Q14, DEC P/N 1510706-00.
- 4-6 ADD C44, DEC P/N 1011740-03, SOLDER ONE LEAD TO E3-9, THE OTHER TO GROUND (APPROXIMATELY AS SHOWN). ADD TUBING, ITEM 129 TO BOTH LEADS OF C44.

D

D

C

C

B

B

A

A

REVISION HISTORY		
DATE	ECO NUMBER	REV.

TITLE LOGIC INVERTER CONTROL BOARD

DOCUMENT NUMBER			
SIZE CODE	NUMBER	REV.	
DUA	5413601-C-0		
SCALE NONE	SHEET 4	OF 4	

8

7

6

5

4

3

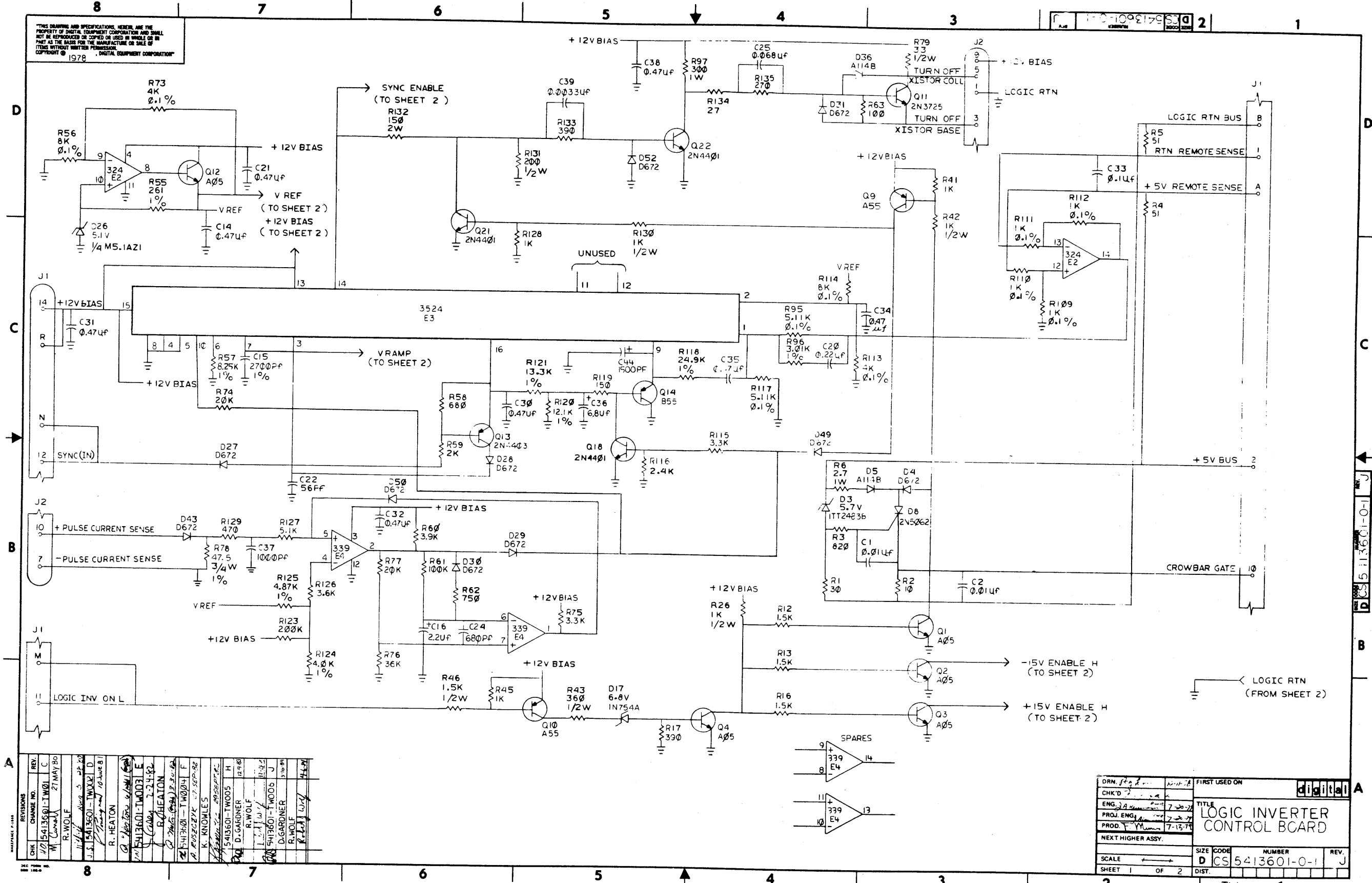
2

1

DRD 137A

TU

TITLE BLOCK: CS 5413601-01  
 THIS DRAWING AND SPECIFICATIONS, HEREIN, ARE THE PROPERTY OF DIGITAL EQUIPMENT CORPORATION AND SHALL NOT BE REPRODUCED OR COPIED OR USED IN WHOLE OR IN PART AS THE BASIS FOR THE MANUFACTURE OR SALE OF ITEMS WITHOUT WRITTEN PERMISSION. COPYRIGHT © 1978, DIGITAL EQUIPMENT CORPORATION.



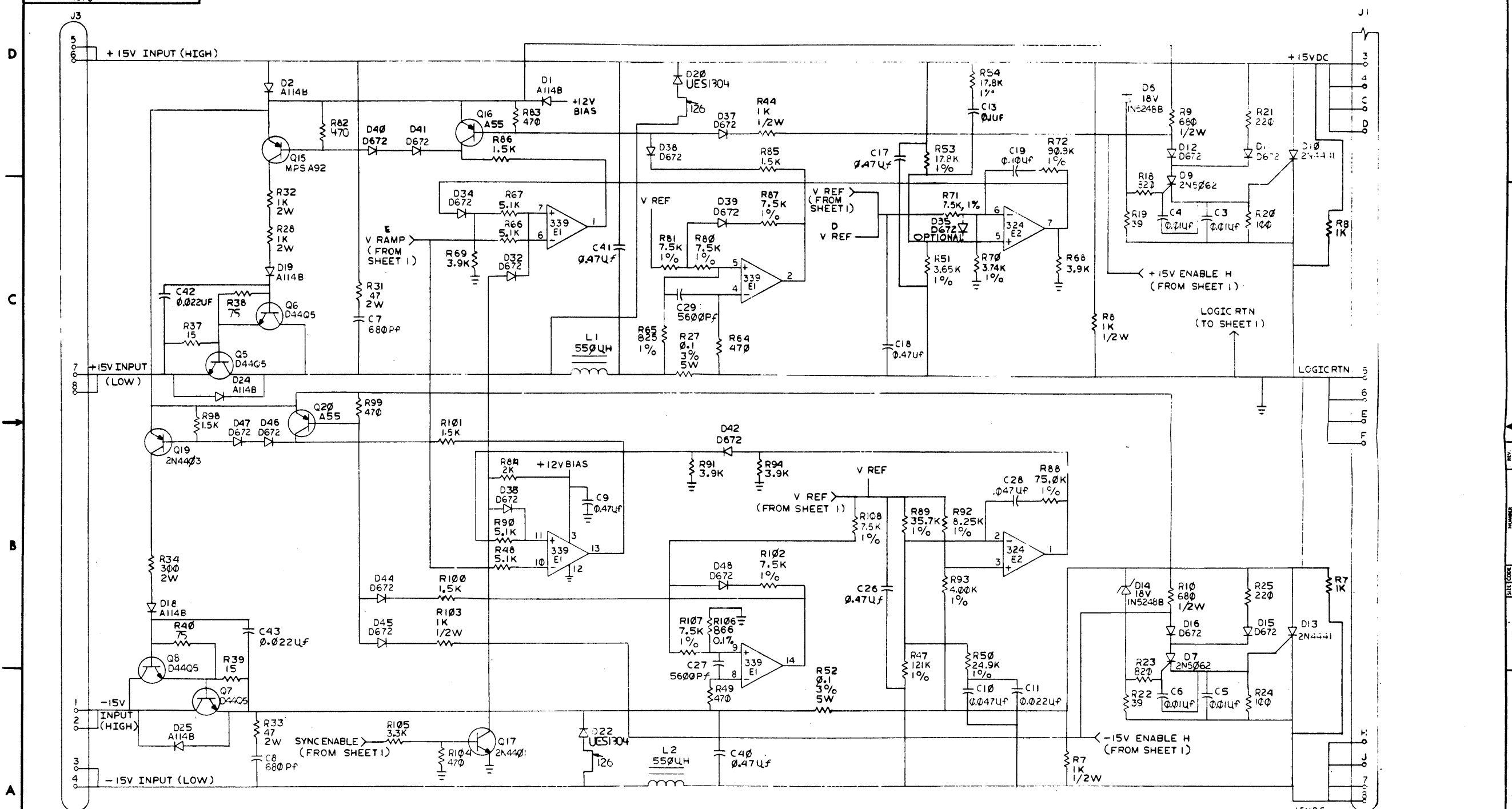
REV.	CHANGE NO.	DATE	BY	CHK'D
1	1	21 MAY 80	W. WOLF	
2	1	21 MAY 80	R. HEATON	
3	1	21 MAY 80	R. HEATON	
4	1	21 MAY 80	R. HEATON	
5	1	21 MAY 80	R. HEATON	
6	1	21 MAY 80	R. HEATON	
7	1	21 MAY 80	R. HEATON	
8	1	21 MAY 80	R. HEATON	

DRN.	CHK'D	ENG.	PROJ. ENG.	PROD.	NEXT HIGHER ASSY.	SCALE	SHEET	OF	DIST.	SIZE	CODE	NUMBER	REV.
							1	2		D	CS 5413601-0-1	J	



THE DRAWING AND SPECIFICATIONS HEREIN ARE THE PROPERTY OF DIGITAL EQUIPMENT CORPORATION AND SHALL NOT BE REPRODUCED OR COPIED OR USED IN WHOLE OR IN PART AS THE BASIS FOR THE MANUFACTURE OR SALE OF ITEMS WITHOUT WRITTEN PERMISSION OF DIGITAL EQUIPMENT CORPORATION  
 1978

1-0-109119 SQ 2



REVISIONS		
CHK	CHANGE NO.	REV.

TITLE LOGIC INVERTER CONTROL BOARD  
 SCALE SHEET 2 OF 2  
 SIZE CODE DCS 5413601-0-1  
 NUMBER  
 REV. J

LINE	ITEM	DOCUMENT NUMBER	PART NUMBER	DESCRIPTION	QTY PER VARIATION	REFERENCE DESIGNATOR
					00	
1	1	D-MD-5013600-0-0	5013600-00	DRILL & ETCH BD	1	
2	2		1010978-24	.01 MFD 50V 10% CER	6	C1-C6
3	3		1013280-00	680.0 MMF 1000V 5%200PPM MICA	2	C7,C8
4	4		1010279-01	.47 MFD 25V 20% CER	14	C9,C14,C18,C21,C30-C32,C34,C35, CONT C38,C17,C26,C40,C41
5	5		1010978-32	.047 MFD 50V 10% CER	2	C10,C28
6	6		1011683-00	.022 MFD 50V 10% CER	3	C11,C42,C43
7	7		1014170-00	2700.0 MMF 100V 1% 70PPM MICA	1	C15
8	8		1002627-00	2.2MFD 20V 10% S.TANT	1	C16
9	9	BLANK		*** THIS ITEM IS NOT USED ***	-	
10	10		1010978-36	.1 MFD 50V 10% CER	3	C19,C33,C13
11	11		1010274-00	.22 MFD 50V +80-20% Z5U CER	1	C20
12	12		1000012-00	56.0 MMF 100V 5%200PPM MICA	1	C22
13	13		1013466-08	680.0 MMF 50V 10% X7R CER	1	C24
14	14		1000052-00	.068 MFD 100V 10% MYLR	1	C25
15	15	BLANK		*** THIS ITEM IS NOT USED ***	-	
16	16		1011740-00	5600.0 MMF 50V 10% CER	2	C27,C29
17	17		1005306-00	6.8MFD 35V 10% S.TANT	1	C36
18	18		1013466-09	1000.0 MMF 50V 10% X7R CER	1	C37
19	19		1011740-01	3300.0 MMF 50V 10% CER	1	C39
20	20		1112595-01	PIV= 200 IO= 1.00A AXIAL	8	D1,D2,D5,D18,D19,D24,D25,D36
21	21		1111205-00	VZ= 5.7 2% 400 MW	1	D3
22	22		1105275-00	PIV= 60 IO=300 MA -15NS	28	D4,D11,D12,D15,D16,D27-D34, CONT D37-D50,D52
23	23		1110766-00	VZ= 18.0 5% 500M2 1N5248B D	2	D6,D14
24	24		1110968-00	SCR PIV= 100 IO= .80A 2N5062	3	D7-D9
25	25		1109991-00	VZ= 6.8 5% 400 MW 1N754A	1	D17
26	26		1115273-00	RECT,ULTRA FAST PIV= 200 IO= 3.0	2	D20,D22
27	27		1105871-00	VZ= 5.15 1% 250 MW	1	D26
28	28	BLANK		*** THIS ITEM IS NOT USED ***	-	

REVISION HISTORY		BASIC PART NO: 5413601		DRN:	J.LENT	DATE:	3-JAN-79	D I G I T A L			
ENG!	ECO NUMBER	REV	SECTION A OF A	CHK'D:	F.GERRY	DATE:	19-JUL-79	TITLE PARTS LIST			
---	INITIAL	B	SECTION VARIATION INDEX					LOGIC INVERTER CONTROL BD			
---	INITIAL	B	[A] 00								
RW	5413601-TW001	C	[B]	DES.ENG:	J.A.HERRMANN	DATE:	19-JUL-79	DOCUMENT NUMBER			
R.H	5413601-TW002	D	[C]								
R.H	5413601-TW003	E	[D]	RESP.ENG.:	J.A.HERRMANN	DATE:	19-JUL-79	SIZE	CODE	NUMBER	REV
KK	5413601-TW004	F	[E]					K	PL	5413601-0-DBP	H
RW	5413601-TW005	H	[F]	MFG.ENG.:	F.MUNIZ	DATE:	19-JUL-79				
			[H]								
			[J]								
			[K]								
			[L]								
			[M]								
			[N]								
				ASSEMBLY NUMBER:	D-UA-5413601-0-0		TOP DOCUMENT NUMBER:	FILE NAME:		EDIT #	
								Z0400H.PLS		32	
<p>"THIS DRAWING AND SPECIFICATIONS HEREIN, ARE THE PROPERTY OF DIGITAL EQUIPMENT CORPORATION AND SHALL NOT BE REPRODUCED OR COPIED OR USED IN WHOLE OR IN PART AS THE BASIS FOR THE MANUFACTURE OR SALE OF ITEMS WITHOUT WRITTEN PERMISSION. COPYRIGHT (C) 1983. DIGITAL EQUIPMENT CORPORATION"</p>											

LINE	ITEM	DOCUMENT NUMBER	PART NUMBER	DESCRIPTION	QTY	PER VARIATION	REFERENCE DESIGNATOR
					00		
29	29		1211728-00	CONN,P+S 01SKT	14		J2,J3
30	30		1216112-01	PCB,HEADER 28POS(1X28).156CC 90D	1		J1
31	31		1302751-00	30.0 .25 W 5.0 * CF	1		R1
32	32		1301317-00	10.0 .25 W 5.0 * CF	1		R2
33	33		1301775-00	820.0 .25 W 5.0 * CF	3		R3,R18,R23
34	34		1312928-00	51.0 .25 W 5.0 * CF	2		R4,R5
35	35		1310382-00	2.70 1.0 W 5.0 * CC	1		R6
36	36		1300364-00	1.0 K .50 W 5.0 * CF	7		R7,R8,R26,R42,R44,R103,R130
37	37		1300347-00	680.0 .50 W 5.0 * CF	2		R9,R10
38	38		1300365-00	1.0 K .25 W 5.0 * CF	3		R41,R45,R128
39	39		1300391-00	1.50 K .25 W 5.0 * CF	8		R12,R13,R16,R85,R86,R98,R100, CONT R101
40	40		1300309-00	390.0 .25 W 5.0 * CF	2		R17,R133
41	41		1302377-00	39.0 .25 W 5.0 * CF	2		R19,R22
42	42		1300229-00	100.0 .25 W 5.0 * CF	3		R20,R24,R63
43	43		1300271-00	220.0 .25 W 5.0 * CF	2		R21,R25
44	44		1305872-00	.10 5.0 W 3.0 * WW	2		R27,R52
45	45		1301952-00	1.0 K 2.0 W 5.0 * CC	2		R28,R32
46	46	BLANK		*** THIS ITEM IS NOT USED ***	-		
47	47		1314023-00	47.0 2.0 W 5.0 * CC	2		R31,R33
48	48		1309855-00	300.0 2.0 W 5.0 * CC	1		R34
49	49		1301421-00	15.0 .25 W 5.0 * CF	2		R37,R39
50	50		1305143-00	825.0 .25 W 1.0 * RN55D-F10	1		R65
51	51		1302383-00	360.0 .50 W 5.0 * CF	1		R43
52	52		1300394-00	1.50 K .50 W 5.0 * CF	1		R46
53	53		1303438-00	121.0 K .25 W 1.0 * RN55D-F10	1		R47
54	54		1300316-00	470.0 .25 W 5.0 * CF	7		R49,R64,R83,R99,R104,R129,R82
55	55		1305405-00	24.90 K .25 W 1.0 * RN55D-F10	2		R50,R118
56	56		1305337-00	3.65 K .25 W 1.0 * RN55D-F10	1		R51
57	57		1312989-00	17.80 K .25 W 1.0 * RN55D-F10	2		R53,R54
58	58		1313151-00	3.60 K .25 W 5.0 * CF	1		R126
59	59		1302873-00	261.0 .25 W 1.0 * RN55D-F10	1		R55
60	60		1305356-00	8.0 K .25 W .10 * RN55C-B 5	2		R56,R114
61	61		1305129-00	8.0 K .25 W 1.0 * RN55D-F10	1		R57
62	62		1312930-00	5.10 K .25 W 5.0 * CF	5		R48,R66,R67,R90,R127
63	63		1300444-00	3.90 K .25 W 5.0 * CF	5		R60,R68,R69,R91,R94
64	64		1302466-00	100.0 K .25 W 5.0 * CF	1		R61
65	65		1301401-00	750.0 .25 W 5.0 * CF	1		R62
66	66	BLANK		*** THIS ITEM IS NOT USED ***	-		
67	67		1302391-00	20.0 K .25 W 5.0 * CF	2		R77,R74
68	68		1312452-00	3.74 K .25 W 1.0 * RN55D-F10	1		R70
69	69		1313344-00	75.0 K .25 W 1.0 * RN55D-F10	1		R88
70	70		1311320-00	90.90 K .25 W 1.0 * RN55D-F10	1		R72
71	71		1304728-00	4.0 K .25 W .10 * RN55E-B 2	2		R73,R113
72	72		1300439-00	3.30 K .25 W 5.0 * CF	3		R75,R105,R115
73	73		1312932-00	36.0 K .25 W 5.0 * CF	1		R76
74	74		1301459-00	47.50 .75 W 1.0 * RN65D-F10	1		R78
75	75		1300195-00	33.0 .50 W 5.0 * CF	1		R79

D	I	G	I	T	A	L	TITLE	SECTION A	OF A	SIZE	CODE	DOCUMENT NUMBER	REV
							LOGIC INVERTER CONTROL BD			K	PL	5413601-0-DBP	H

LINE	ITEM	DOCUMENT NUMBER	PART NUMBER	DESCRIPTION	QTY	PER VARIATION	REFERENCE DESIGNATOR
					00		
76	76		1305322-00	7.50 K .25 W 1.0 % RN55D-F10	7		R80,R81,R107,R108,R87,R102,R71
77	77		1302388-00	2.0 K .25 W 5.0 % CF	2		R59,R84
78	78		1305421-00	35.70 K .25 W 1.0 % RN55D-F10	1		R89
79	79		1305325-00	8.25 K .25 W 1.0 % RN55D-F10	1		R92
80	80		1305127-00	4.0 K .25 W 1.0 % RN55D-F10	2		R93,R124
81	81		1305432-00	5.11 K .25 W .10% RN55E-B 2	2		R95,R117
82	82		1314041-00	3.01 K .25 W 1.0 % RN55D-F10	1		R96
83	83		1300292-00	300.0 1.0 W 5.0 % CC	1		R97
84	84		1304865-00	1.0 K .25 W .10% RN55E-B 2	4		R109-R112
85	85		1300250-00	150.0 .25 W 5.0 % CF	1		R119
86	86		1303313-00	12.10 K .25 W 1.0 % RN55D-F10	1		R120
87	87		1312565-00	13.30 K .25 W 1.0 % RN55D-F10	1		R121
88	88	BLANK		*** THIS ITEM IS NOT USED ***	-		
89	89	BLANK		*** THIS ITEM IS NOT USED ***	-		
90	90		1302381-00	200.0 .50 W 5.0 % CF	1		R131
91	91		1300257-00	150.0 2.0 W 5.0 % CC	1		R132
92	92		1301522-00	27.0 .25 W 5.0 % CF	1		R134
93	93		1301972-00	270.0 .25 W 5.0 % CF	1		R135
94	94		1510705-00	XA 05 NPN 500MW SI 60 50 P	5		Q1-Q4,Q12
95	95		1514271-01	D 44Q5 NPN 31W SI225 30	4		Q5-Q8
96	96		1510706-00	XA 55 PNP 500MW SI 60 50 P	4		Q9,Q10,Q16,Q20
97	97		1510959-00	2N 3725 NPN 3.5WC SI 50 60 P	1		Q11
98	98		1513490-00	2N 4403 PNP 350MW SI-40 30	2		Q13,Q19
99	99		1516121-00	MPS A92 PNP 625MW SI300 25	1		Q15
100	100		1513489-00	2N 4401 NPN 350MW SI 40 20	4		Q17,Q18,Q21,Q22
101	101		1505867-00	SCR PIV= 50 IO= 8.00A 2N4441	2		D10,D13
102	102		1616213-00	450.0 UH 4 A	2		L1,L2
103	103		1912108-00	339 VOLT CMPRTR,QUAD	2		E1,E4
104	104		1912107-00	324 OP AMP,QUAD	1		E2
105	105		1914250-00	3524 MODULATOR-REGULATING	1		E3
106	106		7422047-01	HEAT SINK DOUBLE	2		
107	107		1301424-00	680.0 .25 W 5.0 % CF	1		R58
108	108		9006039-01	SCREW,MACH PAN PHIL 8-	2		
109	109		9006660-00	WASHER,FLAT SST	4		
110	110		9006690-00	WASHER,HELICAL SPLIT SST	2		
111	111		1303177-00	2.40 K .25 W 5.0 % CF	1		R116
112	112		9006011-01	SCREW,MACH PAN PHIL 4-	4		
113	113		9009769-00	WASHER,RECTNGLR STEEL	4		
114	114		9006556-00	NUT,HEX 4-40X .264AF SS/N	4		
115	115		9006688-00	WASHER,HELICAL SPLIT SST	4		
116	116		9010128-00	SCREW,TAP PAN PHIL THD RL 4-	4		
117	117		9007201-00	PAD,MOUNTING,COMPONENT	1		C23
118	118		9008268-00	COMPOUND, THERMAL JOINT	A/R		
119	119		1314516-00	200.0 K .25 W 5.0 % CF	1		R123
120	120		1313592-00	4.87 K .25 W 1.0 % RN55D-F10	1		R125
121	121		9105740-55	WIRE(WRAP) 30AWG KYNAR UL14	A/R		
122	122	BLANK		*** THIS ITEM IS NOT USED ***	-		
123	123	BLANK		*** THIS ITEM IS NOT USED ***	-		

D	I	G	I	T	A	L	TITLE	SECTION A OF A	SIZE	CODE	DOCUMENT NUMBER	REV
							LOGIC INVERTER CONTROL BD		K	PL	5413601-0-DBP	H

AUTOMATED BY PRTLST.3G(17)

P A R T S L I S T

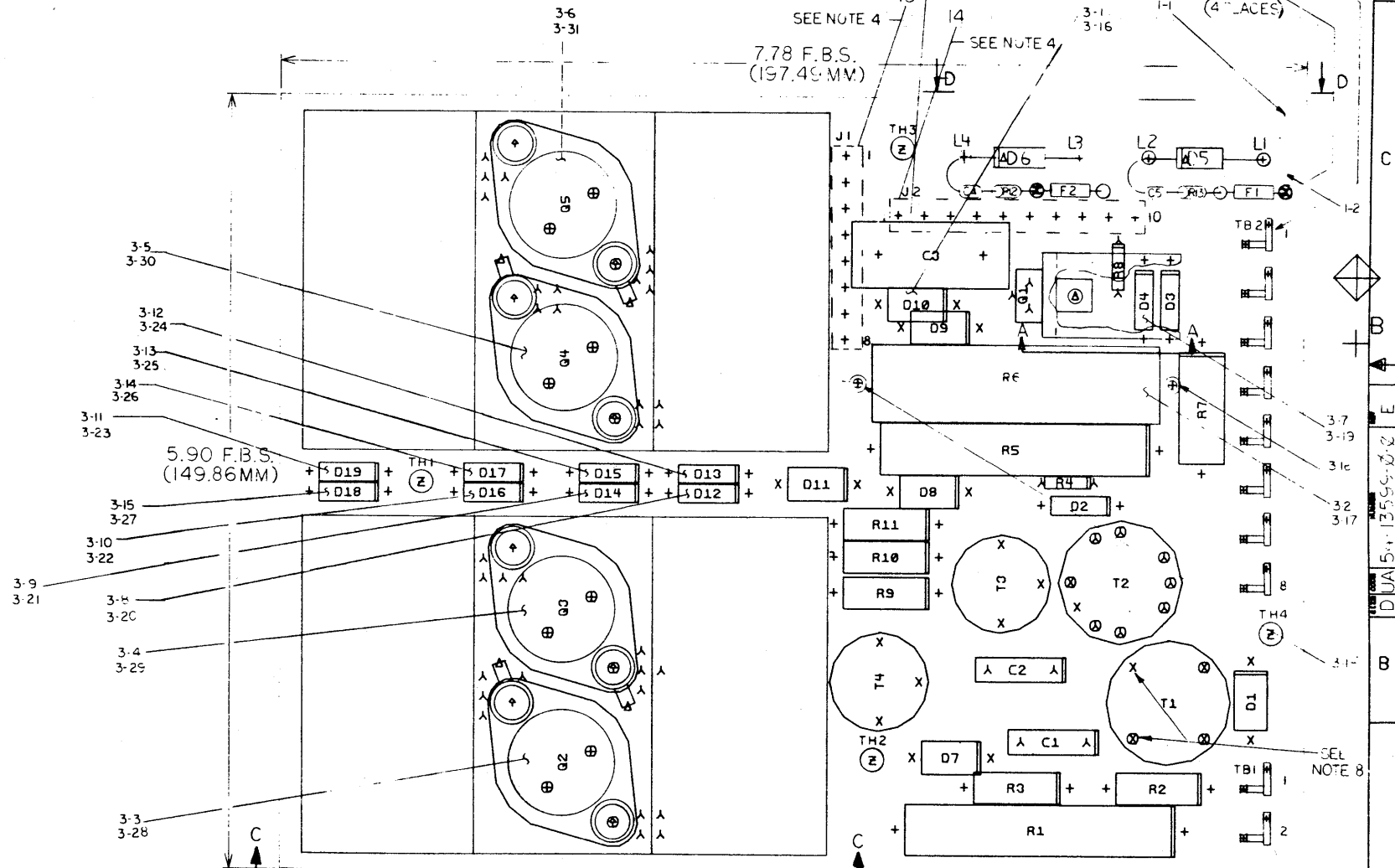
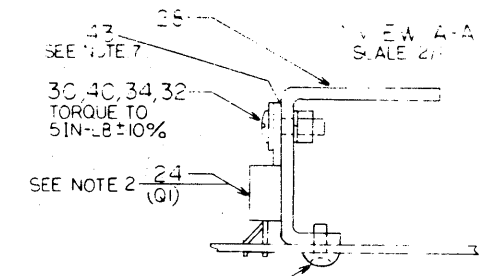
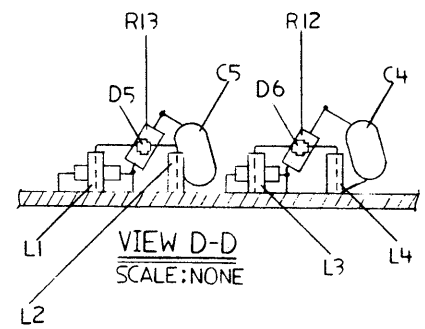
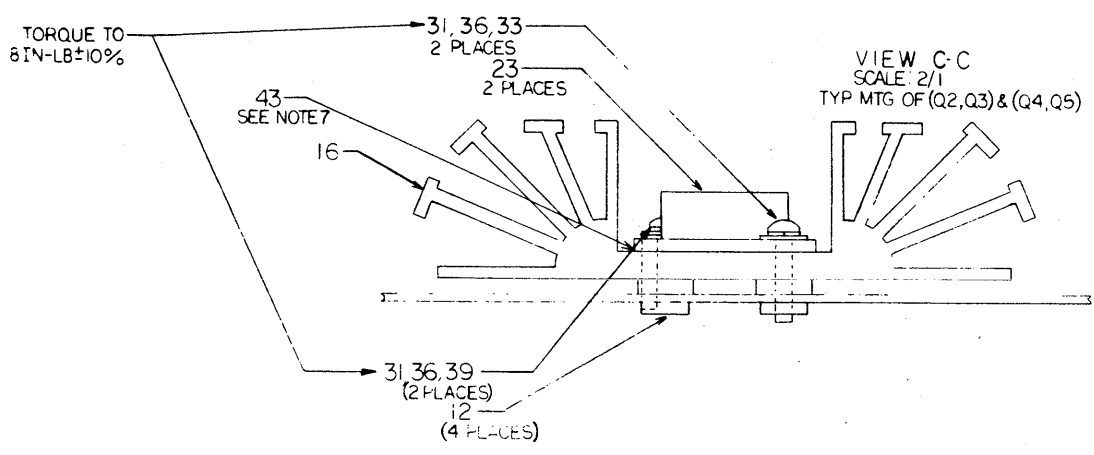
SHEET A4 OF A4

LINE	ITEM	DOCUMENT NUMBER	PART NUMBER	DESCRIPTION	QTY PER VARIATION 00	REFERENCE DESIGNATOR
124	124		1309293-00	866.0 .25 W .10% RN55E-B 2	1	R106
125	125		1302379-00	75.0 .25 W 5.0 % CF	2	R38,R40
126	126		9107560-03	WIRE,BUSS 18AWG TIN BARE	A/R	
127	127		1510706-01	B 55 PNP 500MW SI 60 50	1	Q14
128	128		1011740-03	1500.0 MMF 50V 10% CER	1	C44
129	129		9107256-11	TUBING,TEFLON .027ID	A/R	

130 NOTE: ITEM #121; .52' IS USED.

D	I	G	I	T	A	L	TITLE	LOGIC INVERTER CONTROL BD	SECTION A OF A	SIZE	CODE	DOCUMENT NUMBER	REV
CHK	HH	14								K	PL	5413601-0-DBP	H

THIS DRAWING IS THE PROPERTY OF THE COMPANY AND IS NOT TO BE REPRODUCED OR TRANSMITTED IN ANY FORM OR BY ANY MEANS, ELECTRONIC OR MECHANICAL, INCLUDING PHOTOCOPYING, RECORDING, OR BY ANY INFORMATION STORAGE AND RETRIEVAL SYSTEM. © 1979



NOTES:

- 1 FOR STEP AND REPEAT DIM'S SEE I.M.L.39
- 2 Q1 MUST BE MOUNTED TO HEATSINKS BEFORE BEING ATTACHED TO P.C.B.
- 3 FOR ASSM OF ITEM 23 SEE VIEW C
- 4 J1 AND J2 TO BE MOUNTED ON SIDE 2
- 5 PAISE R15, AND R6, I25 TO 150 OFF P.C.B.
- 6 PAISE D1, 7, 8-11, AND R3, 7, 9-11, C5 TO .100"

CHANGE NO	REV	DATE	BY	CHK'D
1	1	7-15-79	R. RICHARD	
2	1	7-15-79	S. GARDNER	
3	1	7-15-79	K. KNOWLES	
4	1	7-15-79	D. GARDNER	
5	1	7-15-79	C. SKOOLIGAS	

NOTES:

- 7 USE THERMAL COMPOUND ITEM 43 BETWEEN Q2, Q3, Q4, Q5, Q1 AND HEATSINK.
- 8 LARGER DIAMETER LEADS IN THESE TWO POSITIONS.
- 9 TOP FIN OF ITEM 23 (HEATSINK) MUST BE INSTALLED PARALLEL TO EDGE OF BOARD.

ETCH REV.	C
P.C. DESIGN DATA BASE REV.	CL

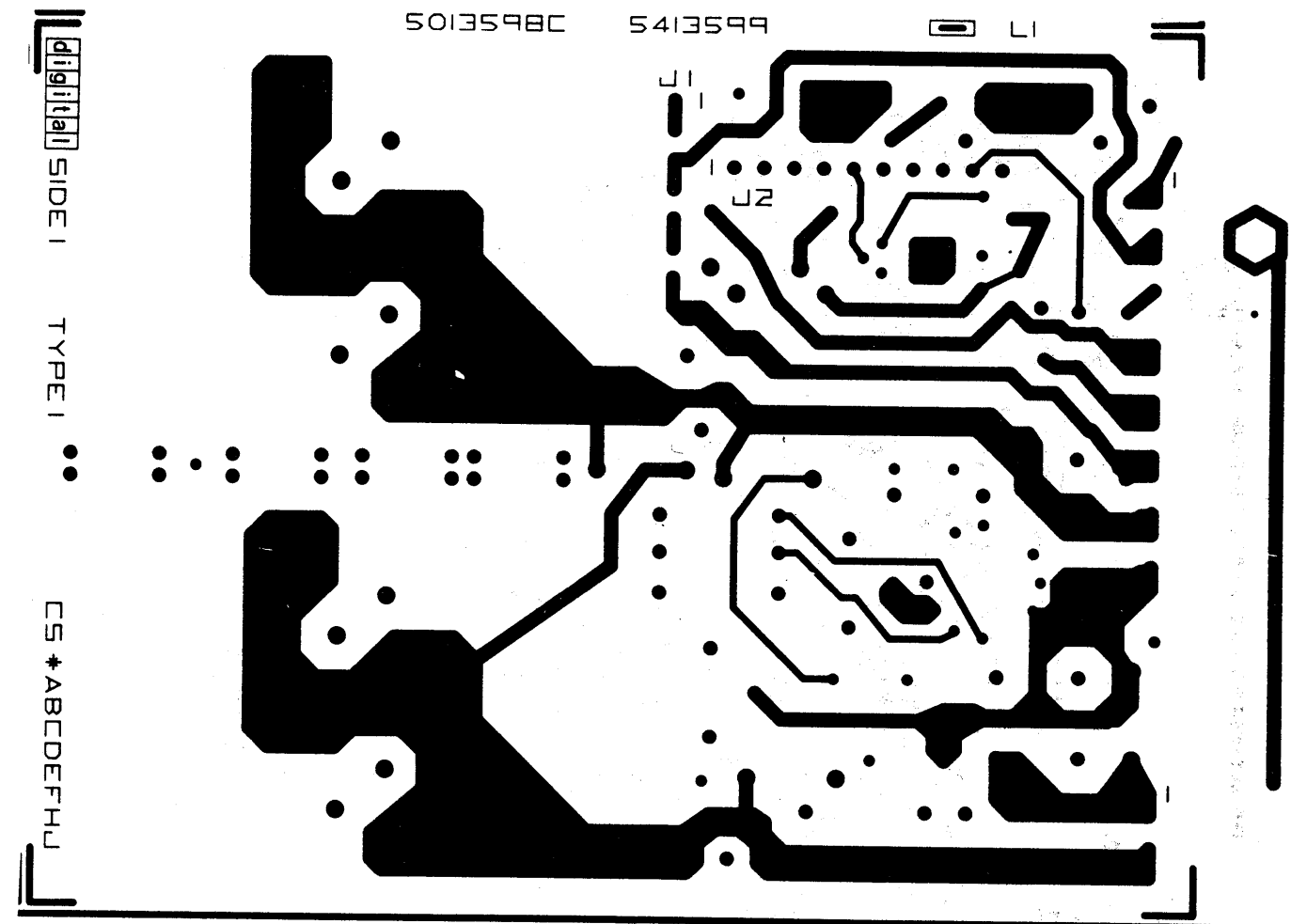
SIGNATURES	DATE
DRN. <i>Ray East</i>	2-5-79
CHK'D. <i>Ray East</i>	2-13-79
ENC. <i>W. H. ...</i>	6-26-79
PROJ. ENG. <i>W. H. ...</i>	7-15-79

TITLE: LOGIC INVERTER BD.

SCALE: 2/1  
SHT. 1 OF 4  
NEXT HIGHER ASSY. 8-00-54-13599-0

THIS DRAWING AND SPECIFICATIONS HEREIN ARE THE PROPERTY OF DIGITAL EQUIPMENT CORPORATION AND SHALL NOT BE REPRODUCED OR COPIED OR USED IN WHOLE OR IN PART AS THE BASIS FOR THE MANUFACTURE OR SALE OF THESE WITHOUT WRITTEN PERMISSION. COPYRIGHT © 1975 DIGITAL EQUIPMENT CORPORATION

SIZE CODE D UA 5413599-0-0 2



REVISIONS		
CHK	CHANGE NO.	REV.

TITLE: LOGIC INVERTER BOARD  
 SIZE CODE: D UA  
 NUMBER: 5413599-0-0  
 REV: E  
 SCALE: c/1  
 SHEET 2 OF 4  
 DIST.:

8 7 6 5 4 3 2 1

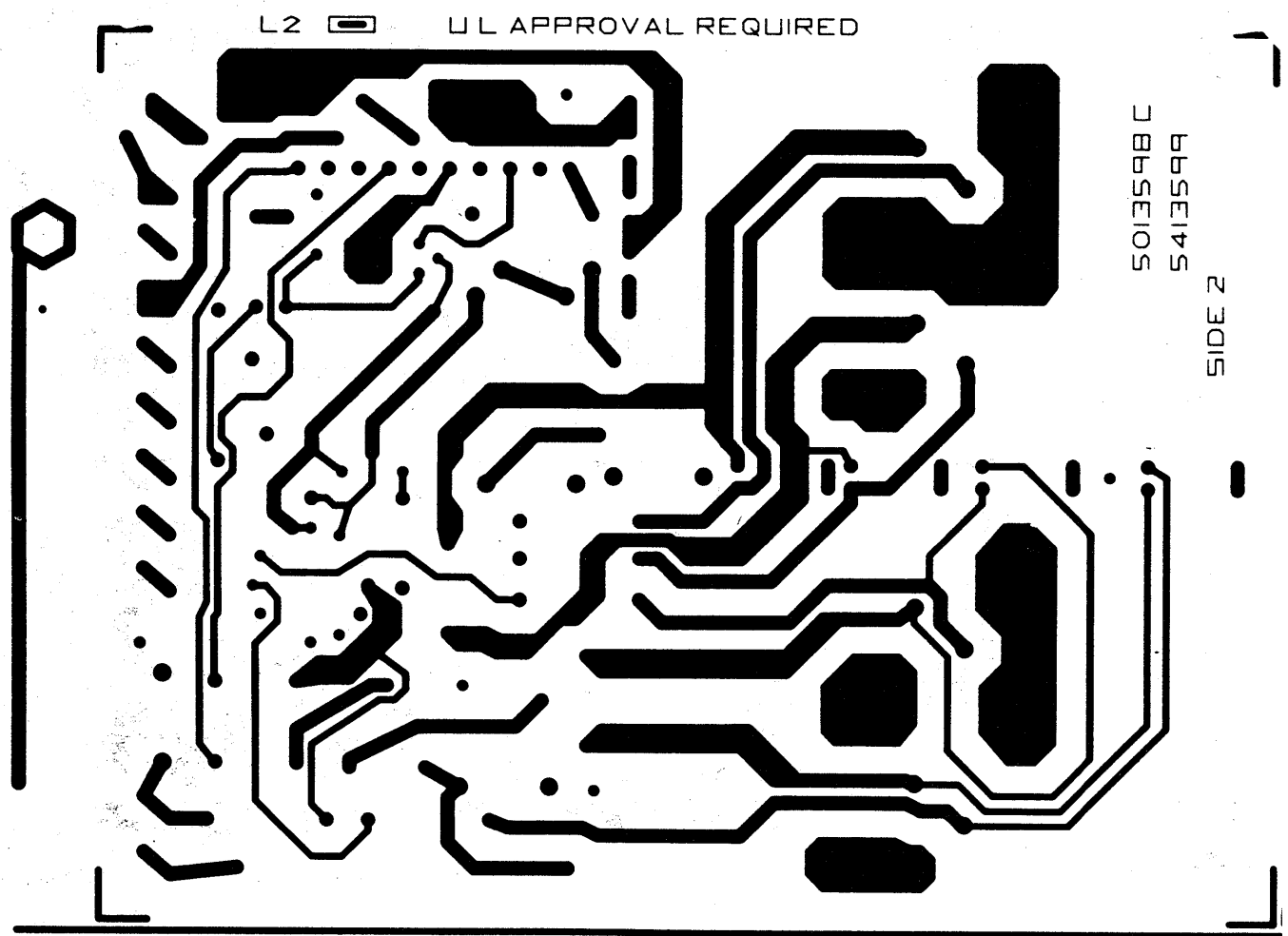
A B C D

MANUFACTURED BY

TW

THIS DRAWING AND SPECIFICATIONS HEREIN ARE THE PROPERTY OF DIGITAL EQUIPMENT CORPORATION AND SHALL NOT BE REPRODUCED OR COPIED OR USED IN WHOLE OR IN PART AS THE BASIS FOR THE MANUFACTURE OR SALE OF ITEMS WITHOUT WRITTEN PERMISSION. COPYRIGHT © 1975 DIGITAL EQUIPMENT CORPORATION

REV. E  
DUA 5413599-0-0  
MID 2



5013598  
1855E105  
5413599

SIDE 2

REVISIONS		
CHK	CHANGE NO	REV

TITLE: LOGIC INVERTER BOARD  
 SIZE CODE: DUA  
 NUMBER: 5413599-0-0  
 SCALE: 2/1  
 SHEET: 3 OF 4  
 REV. E

REV. E  
DUA 5413599-0-0

*tu*



8

DU 54-3599-0-0 E

6

5

4

3

2

1

THIS DRAWING AND SPECIFICATIONS HEREBY ARE THE PROPERTY OF DIGITAL EQUIPMENT CORPORATION AND SHALL NOT BE REPRODUCED OR COPIED OR USED IN WHOLE OR IN PART AS THE BASIS FOR THE MANUFACTURE OR SALE OF ITEMS WITHOUT WRITTEN PERMISSION. COMPANY # 1100

REWORK INSTRUCTION (ECO 1)

COMPONENT ADDS: SIDE 1

- 1-1 INSTALL R13 BY DRILLING ONE .055" HOLE AS SHOWN. (HOLE IS UNDERNEATH R13)
- 1-2 C5 AND R13 ARE CONNECTED BY TWISTING ONE LEAD OF R13 WITH ONE LEAD OF C5 AND SOLDERING. THE OTHER LEAD OF R13 IS TACK SOLDERED TO THE ETCH ON SIDE 2 LEADING TO THE CATHODE OF D5. THE OTHER LEAD OF C5 IS CONNECTED TO THE ANODE OF D5. (SEE VIEW D-D)
- 1-3 R12 AND C4 ARE CONNECTED BY TWISTING ONE LEAD OF R12 WITH ONE LEAD OF C4 AND SOLDERING. THE OTHER LEAD OF R12 IS CONNECTED TO THE ANODE OF D6. THE OTHER LEAD OF C4 IS TACK SOLDERED TO J1-1 AND 2. (SEE VIEW E-E)

REWORK INSTRUCTION (ECO #3)

COMPONENT DELETES: SIDE 1

- 3-1 REMOVE D10 DEC. PT. NO. 1112594-02
- 3-2 REMOVE R6 DEC. PT. NO. 1314172-01
- 3-3 REMOVE Q2
- 3-4 REMOVE Q3 } DEC. PT. NO. 1514195-00
- 3-5 REMOVE Q4 }
- 3-6 REMOVE Q5 }
- 3-7 REMOVE D4 DEC. PT. NO. 1112535-01
- 3-8 REMOVE D12
- 3-9 REMOVE D14 } DEC. PT. NO. 1112595-00
- 3-10 REMOVE D16 }
- 3-11 REMOVE D19 }
- 3-12 REMOVE D13 } DEC. PT. NO. 1114435-00
- 3-13 REMOVE D15 }
- 3-14 REMOVE D17 }
- 3-15 REMOVE D18 }

COMPONENT ADD: SIDE 1

- 3-16 ADD D10 DEC. PT. NO. 1115273-01
- 3-17 ADD R6 DEC. PT. NO. 1305260-00 (SEE 3-18)
- 3-18 ADD SPACER ITEM 47 DEC. PT. NO. 9009798-01 TO EACH LEAD OF R6.
- 3-19 ADD D4 DEC. PT. NO. 1115273-00
- 3-20 ADD D12
- 3-21 ADD D14 } DEC. PT. NO. 1105769-01
- 3-22 ADD D16 }
- 3-23 ADD D19 }
- 3-24 ADD D19 } DEC. PT. NO. 1105766-01
- 3-25 ADD D15 } REVERSE POLARITY FOR
- 3-26 ADD D17 } THESE 4 PARTS WHEN
- 3-27 ADD D18 } ASSEMBLING
- 3-28 ADD Q2
- 3-29 ADD Q3 } DEC. PT. NO. 1517365-00
- 3-30 ADD Q4 }
- 3-31 ADD Q5 }

REVISION HISTORY

DATE	ECO NUMBER	REV.

TITLE LOGIC INVERTER BOARD

SIZE CODE	DOCUMENT NUMBER	REV.
D UA	54-3599-0-0	E
SCALE 2/1	SHEET 4	OF 4

TW 1

8

7

6

5

4

3

2

A

B

C

D

E

A

B

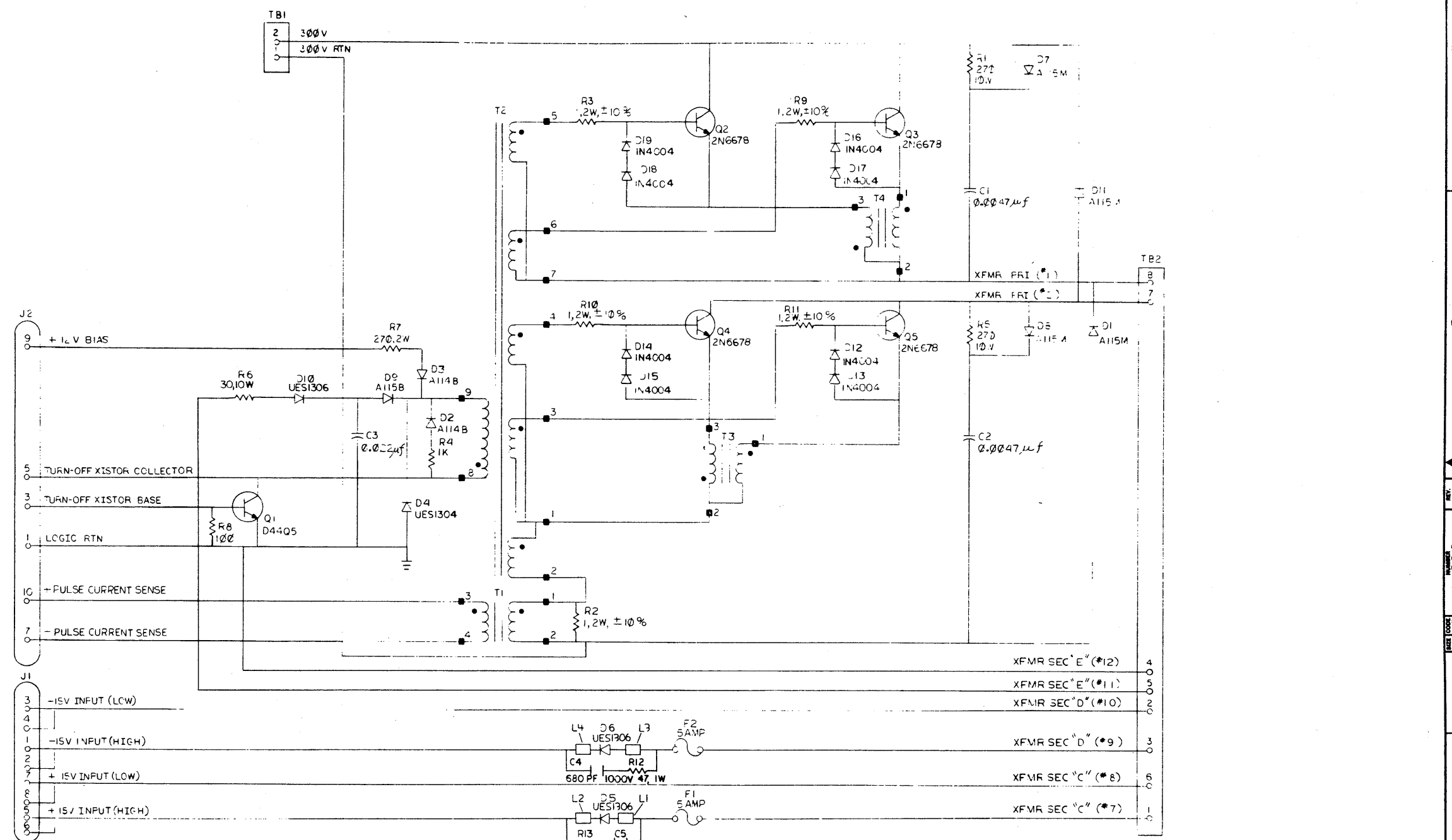
C

D

E

ALL DIMENSIONS AND SPECIFICATIONS HEREIN ARE THE PROPERTY OF DIGITAL EQUIPMENT CORPORATION AND SHALL NOT BE REPRODUCED OR COPIED OR USED IN WHOLE OR IN PART AS THE BASIS FOR THE MANUFACTURE OR SALE OF ITEMS WITHOUT WRITTEN PERMISSION.  
 DIGITAL EQUIPMENT CORPORATION  
 1978

DIGITAL EQUIPMENT CORPORATION  
 5413599-0-1



REV.	CHANGE NO.	DATE	BY	CHK'D
1	5413599-1	1/11/75	R. HEATON	
2	5413599-2	2/27/75	R. HEATON	
3	5413599-3	3/11/75	R. HEATON	
4	5413599-4	3/11/75	R. HEATON	
5	5413599-5	3/11/75	R. HEATON	
6	5413599-6	3/11/75	R. HEATON	
7	5413599-7	3/11/75	R. HEATON	
8	5413599-8	3/11/75	R. HEATON	

DRN/ISS	10000	FIRST USED ON	
CHK'D		TITLE	LOGIC INVERTER BOARD
ENG. DESIGNED	6-24-75	NUMBER	5413599-0-1
PROJ. ENG.	6-24-75	REV.	F
PROD. VER.	7-15-75	SCALE	1:1
NEXT HIGHER ASSY.		SHEET	1 OF 1

TW1

LINE	ITEM	DOCUMENT NUMBER	PART NUMBER	DESCRIPTION	QTY	PER VARIATION	REFERENCE DESIGNATOR
					00		
1		D-MD-5013598-0-0	5013598-00	DRILL & ETCH BD	1		
2			1011847-03	.0047 MFD 600V 10% POLYPROP	2		C1,C2
3			1017913-00	.022 MFD 400V 20% M.POLYPROP	1		C3
4			1112594-01	A115B PIV=200 I= 3A	1		D9
5			1112594-02	A115M PIV=600 I= 3A	4		D1,D7,D8,D11,
6			1105796-01	5796-1PIV=400 I=1A D041	8		D12-D19
7			1112595-01	A114B PIV=200 I= 1A	2		D2,D3
8			1110491-20	IN 3891 PIV=200 T=12A D04 SI	2		D5,D6
9		BLANK		*** THIS ITEM IS NOT USED ***	1		
10			1205747-00	FUSE, SUB-MINI. 5.000A, 125V, A	2		F1,F2
11			1216937-00	TERM.SOLDER .375DIA	2		
12			1214789-00	INSERT, THREAD	8		
13			1216108-00	PCB,HEADER 08POS(1X08).200CC STR	1		J1
14			1216108-01	PCB,HEADER 01POS(1X01).200CC STR	1		J2
15			1216269-00	TERM,SPADE .145STUD SOLDER	10		
16			1216316-00	HEAT SINKS, 02.50X03.9	2		
17			1300229-00	100.0 .25 W 5.0 % CC	1		R8
18			1300365-00	1.0 K .25 W 5.0 % CC	1		R4
19			1305380-00	270.0 2.0 W 5.0 % CC	1		R7
20			1314350-00	1.0 2.0 W10.0 % FUSE	5		R2,R3,R9-R11
21			1305260-00	30.0 10.0 W 1.0 % WW	1		R6
22			1314544-00	270.0 10.0 W 5.0 % WW	2		R1,R5
23			1517365-00	2N 6678 NPN 175W SI	4		Q2-Q5
24			1514271-01	D 4405 NPN 31W SI225 30	1		Q1
25			1614202-00	XFMR,CURRENT	1		T1
26			1614203-00	CHOKE,BALUN-COMMON MODE	2		T3,T4
27			1614204-00	PULSE XFMR 20312 BASE DRIVE	1		T2
28			7422046-00	HEAT SINK,SINGLE	1		
29			7422046-01	HEAT SINK	1		
30			9006011-01	SCREW,MACH PAN PHIL	4-		

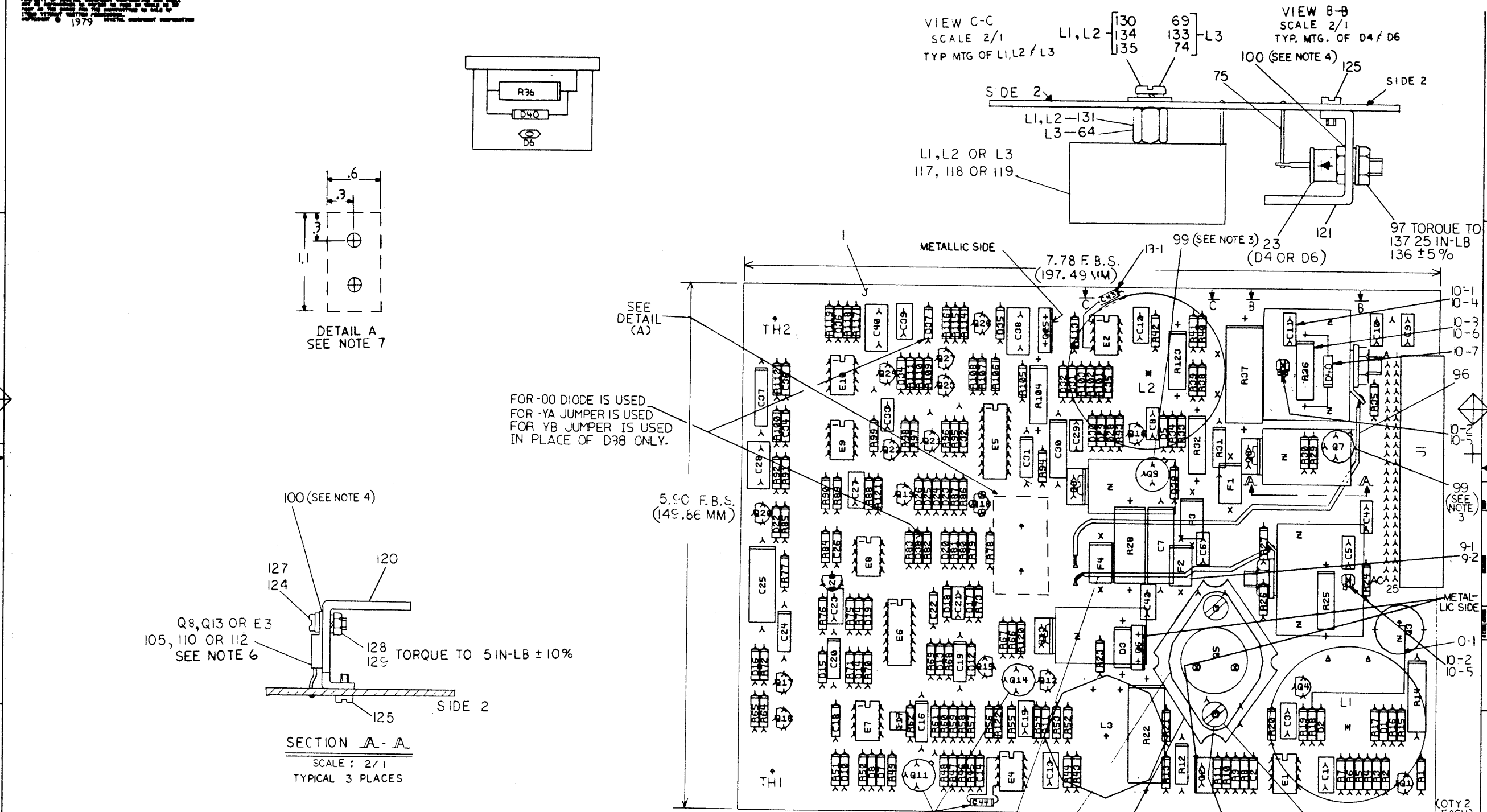
REVISION HISTORY		BASIC PART NO: 5413599		DRN:	K.FRIEDGEN	DATE:	20-JUL-79	D I G I T A L	
ENG:	ECO NUMBER	REV	SECTION A OF A	CHK'D:	F.GERRY	DATE:	20-JUL-79	TITLE	PARTS LIST
---	INITIAL	B	SECTION VARIATION INDEX	DES.ENG:	J.A.HERRMANN	DATE:	20-JUL-79	DOCUMENT NUMBER	
RR	5413599-TW001	C	[A] 00	RESP.ENG.:	J.A.HERRMANN	DATE:	20-JUL-79	SIZE	CODE
RH	5413599-TW002	D	[B]	MFG.ENG.:	F.MUNIZ	DATE:	20-JUL-79	K	PL
RH	5413599-TW002	E	[C]	ASSEMBLY NUMBER:	D-UA-5413559-0-0	TOP DOCUMENT NUMBER:		FILE NAME:	EDIT #
KK	5413599-TW003		[D]					20399E.PLS	20
			[E]						
			[F]						
			[H]						
			[J]						
			[K]						
			[L]						
			[M]						
			[N]						

"THIS DRAWING AND SPECIFICATIONS HEREIN, ARE THE PROPERTY OF DIGITAL EQUIPMENT CORPORATION AND SHALL NOT BE REPRODUCED OR COPIED OR USED IN WHOLE OR IN PART AS THE BASIS FOR THE MANUFACTURE OR SALE OF ITEMS WITHOUT WRITTEN PERMISSION. COPYRIGHT (C) 1982. DIGITAL EQUIPMENT CORPORATION"

LINE	ITEM	DOCUMENT NUMBER	PART NUMBER	DESCRIPTION	QTY PER VARIATION	REFERENCE DESIGNATOR
					00	
31	31		9006025-01	SCREW, MACH PAN PHIL 6-	8	
32	32		9006556-00	NUT, HEX 4-40X .264AF SS/N	1	
33	33		9006656-00	WASHER, FLAT STEEL	4	
34	34		9006688-00	WASHER, HELICAL SPLIT SST	1	
35	35		9006735-00	EYELET, FUNNEL 0.05900X0.187	4	
36	36		9007801-00	WASHER, HELICAL SPLIT SST	8	
37	37		9007906-00	WASHER, HELICAL SPLIT STEEL	2	
38	38		9009005-00	NUT, HEX 10-32X .246AF SS/N	2	
39	39		9009676-00	TERM, SOLDER BARRIER STR	4	
40	40		9009769-00	WASHER, RECTNGLR STEEL	1	
41	41		9010128-00	SCREW, TAP PAN PHIL THD RL 4-	3	
42	42		9107560-03	WIRE, BUSS 18AWG TIN BARE	A/R	
43	43		9008268-00	COMPOUND, THERMAL JOINT	A/R	
44	44		1013280-00	680.0 MMF 1000V 5%200PPM MICA	2	C4, C5
45	45		1302199-00	47.0 1.0 W 5.0 % CC	2	R12, R13
46	46		1115273-01	UES1306 RECTIFIER 400V 5V 50NS	1	D10
47	47		9009798-01	SPACER, CLEAR HOLE RND CERAM .07	2	
48	48		1115273-00	UES 1304 RECTIFIER 200V 6A	1	D4

49 NOTE: ITEM #42; .19' IS USED.

D	I	G	I	T	A	L	TITLE	LOGIC INVERTER BD	SECTION A	OF A	SIZE	CODE	DOCUMENT NUMBER	REV
											K	PL	5413599-0-DBP	E



NOTES:

- R14 / R37 MUST BE RAISED .125" TO .150"
- D3 MUST BE RAISED .05" TO .10"
- USE TRANSPADS (ITEM 99) UNDER Q7, Q9, Q11 / Q14
- USE THERMAL COMPOUND (ITEM 100) BETWEEN E3, Q5, Q8, Q13, D4, D6 / HEAT SINK.

STEP	REV	DESCRIPTION	DATE
E	1	+	
F	1	X	

CHK	CHANGE NO	REV	DATE	BY	APP
	5413607-TWA	E		R. WOLF	
	5413607-TWA	F		K. KNOWLES	
	5413607-TWA	H		A. ZEREGE	
	5413607-TWA	J		C. SKOOLICAS	
	5413607-TWA	K		A. ZEREGE	

- TORQUE TO 8 IN LB ± 10%
- Q8, Q13, E3, D4, D6 MUST BE MOUNTED TO HEAT SINKS BEFORE BEING ATTACHED TO P.C.B.
- MASK THIS AREA ON SIDE 2 ONLY, KEEP FREE OF SOLDER.

SIGNATURES	DATE
DRN. P. RICHARD TELLIER	12-22-77
CHK'D. [Signature]	2-5-80
RECH. ENG. [Signature]	11-9-78
PROJ. ENG. [Signature]	10-5-78
PROD. [Signature]	10-9-80

ETCH REV. D-PI

digital	
TITLE MEMORY REGULATOR	
SIZE CODE 0 UA 5413607-0-0	NUMBER REV K

8

SIZE CODE D U A 5413607-0-0

6

5

4

3

2

1

THIS DRAWING AND SPECIFICATIONS, HEREIN ARE THE PROPERTY OF DIGITAL EQUIPMENT CORPORATION AND SHALL NOT BE REPRODUCED OR COPIED OR LENT IN WHOLE OR IN PART AS THE BASIS FOR THE MANUFACTURE OR SALE OF ITEMS WITHOUT WRITTEN PERMISSION. COPYRIGHT © 1980 DIGITAL EQUIPMENT CORPORATION

REWORK INSTRUCTION

WIRE ADD SIDE 1

0-1 FROM R18 (WRAP WIRE AROUND COMPONENT LEAD) TO Q3 CATHODE (GND) (USE ITEM 144.)

REWORK INSTRUCTION

ECO # 9

COMPONENT DELETE SIDE 1

9-1 DELETE F2 DEC P/N 12-05747-00.

COMPONENT ADD SIDE 1

9-2 ADD F2 DEC P/N 12-10929-09

REWORK INSTRUCTIONS

ECO # 10

COMPONENT DELETES SIDE 1

10-1 DELETE C14, DEC P/N 1001610-01

10-2 DELETE D4, D6, DEC P/N 1110491-01

10-3 DELETE R36, DEC P/N 1300171-00

COMPONENT ADDS SIDE 1

10-4 ADD C14, DEC P/N 1012784-00

10-5 ADD D4, D6, DEC P/N 1116645-03

10-6 ADD R36, DEC P/N 1316575-00

10-7 ADD D40, DEC P/N 1114893-00 ACROSS

R36 CATHODE TO END NEAR Q7.

REWORK INSTUCTIONS

ECO # 13

COMPONENT ADD SIDE 1

13-1 ADD C43 DEC P/N 1001610-01 FROM E2-2 TO E2-4 (GROUND)

13-2 ADD C44 DEC P/N 1001610-01 FROM E4-2 TO E4-4 (GROUND)

REVISION HISTORY

DATE ECO NUMBER REV.

TITLE MEMORY REGULATOR

DOCUMENT NUMBER

SIZE CODE D U A 5413607-0-0

SCALE + + + SHEET 2 OF 2

TW 1

SIZE CODE D U A 5413607-0-0

B

A

D

C

K

D

C

B

A

8

7

6

5

4

3

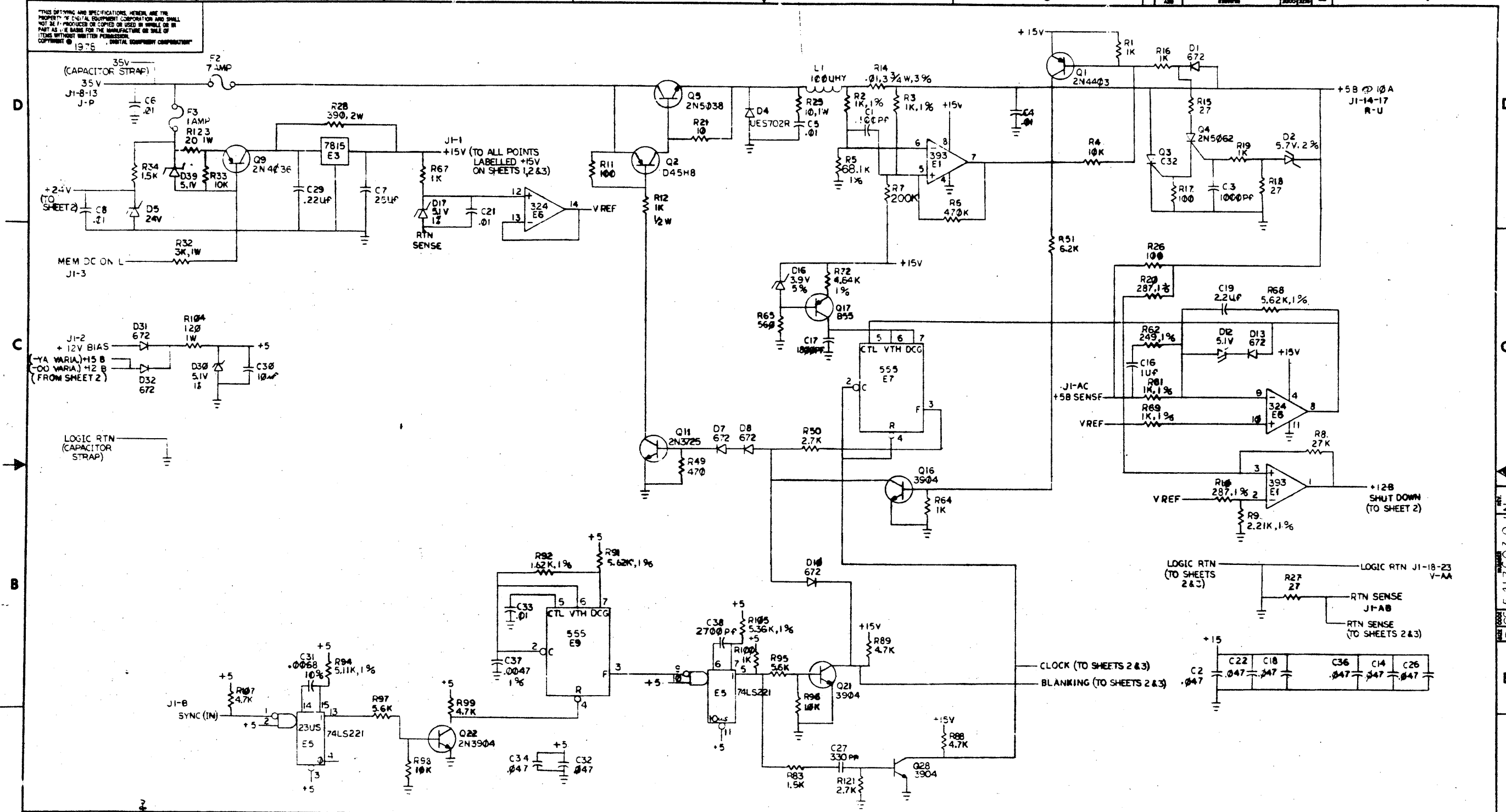
2

1

DRD 137A

THIS DRAWING AND SPECIFICATIONS HEREAFTER ARE THE PROPERTY OF DIGITAL EQUIPMENT CORPORATION AND SHALL NOT BE REPRODUCED OR COPIED OR USED IN WHOLE OR IN PART AS A BASIS FOR THE MANUFACTURE OR SALE OF ITEMS WITHOUT WRITTEN PERMISSION.  
 COPYRIGHT © 1976 DIGITAL EQUIPMENT CORPORATION

5413607-0-1



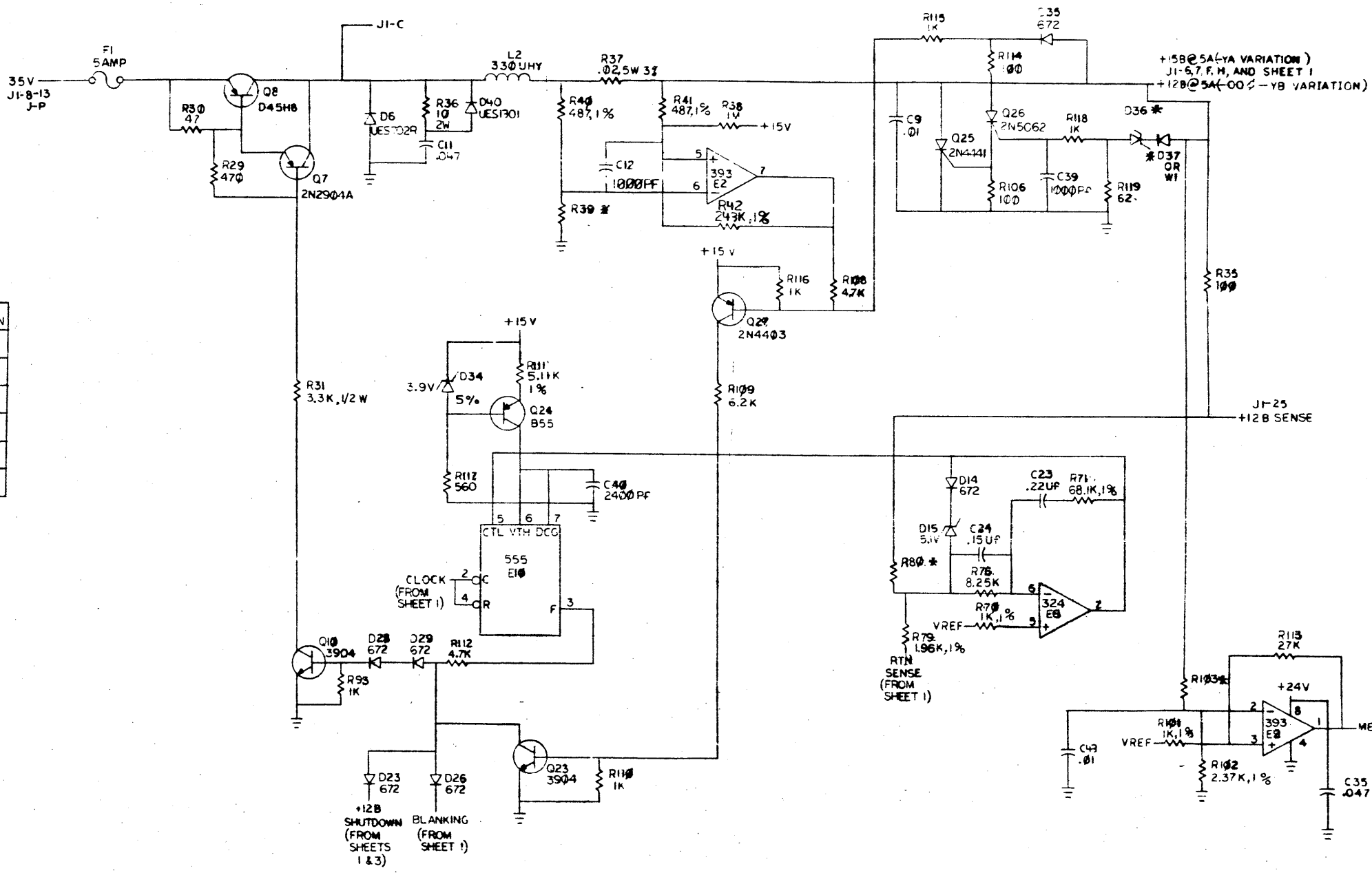
REV	CHG	NO.	DATE	BY	CHKD	REASON
1		5413607-TW3				
2		5413607-TW4				
3		5413607-TW5				
4		5413607-TW6				
5		5413607-TW7				
6		5413607-TW8				
7		5413607-TW9				
8		5413607-TW10				
9		5413607-TW11				
10		5413607-TW12				
11		5413607-TW13				
12		5413607-TW14				
13		5413607-TW15				
14		5413607-TW16				
15		5413607-TW17				
16		5413607-TW18				
17		5413607-TW19				
18		5413607-TW20				
19		5413607-TW21				
20		5413607-TW22				
21		5413607-TW23				
22		5413607-TW24				
23		5413607-TW25				
24		5413607-TW26				
25		5413607-TW27				
26		5413607-TW28				
27		5413607-TW29				
28		5413607-TW30				
29		5413607-TW31				
30		5413607-TW32				
31		5413607-TW33				
32		5413607-TW34				
33		5413607-TW35				
34		5413607-TW36				
35		5413607-TW37				
36		5413607-TW38				
37		5413607-TW39				
38		5413607-TW40				
39		5413607-TW41				
40		5413607-TW42				
41		5413607-TW43				
42		5413607-TW44				
43		5413607-TW45				
44		5413607-TW46				
45		5413607-TW47				
46		5413607-TW48				
47		5413607-TW49				
48		5413607-TW50				
49		5413607-TW51				
50		5413607-TW52				
51		5413607-TW53				
52		5413607-TW54				
53		5413607-TW55				
54		5413607-TW56				
55		5413607-TW57				
56		5413607-TW58				
57		5413607-TW59				
58		5413607-TW60				
59		5413607-TW61				
60		5413607-TW62				
61		5413607-TW63				
62		5413607-TW64				
63		5413607-TW65				
64		5413607-TW66				
65		5413607-TW67				
66		5413607-TW68				
67		5413607-TW69				
68		5413607-TW70				
69		5413607-TW71				
70		5413607-TW72				
71		5413607-TW73				
72		5413607-TW74				
73		5413607-TW75				
74		5413607-TW76				
75		5413607-TW77				
76		5413607-TW78				
77		5413607-TW79				
78		5413607-TW80				
79		5413607-TW81				
80		5413607-TW82				
81		5413607-TW83				
82		5413607-TW84				
83		5413607-TW85				
84		5413607-TW86				
85		5413607-TW87				
86		5413607-TW88				
87		5413607-TW89				
88		5413607-TW90				
89		5413607-TW91				
90		5413607-TW92				
91		5413607-TW93				
92		5413607-TW94				
93		5413607-TW95				
94		5413607-TW96				
95		5413607-TW97				
96		5413607-TW98				
97		5413607-TW99				
98		5413607-TW100				

DRN. <i>Ray...</i>	FIRST USED ON	<b>digital</b>
CHKD. <i>J.P....</i>	<b>H7140</b>	
ENG. <i>R.A....</i>	TITLE	
PROJ. ENG. <i>R....</i>	<b>MEM REG</b>	
PROD. <i>F....</i>		
NEXT HIGHER ASSY.		
SCALE	SIZE CODE	NUMBER
SHEET 1 OF 3	<b>D CS 5413607-0-1</b>	<b>N</b>

THIS DRAWING AND SPECIFICATIONS HEREIN ARE THE PROPERTY OF DIGITAL EQUIPMENT CORPORATION AND SHALL NOT BE REPRODUCED OR COPIED OR USED IN WHOLE OR IN PART AS THE BASIS FOR THE MANUFACTURE OR SALE OF ITEMS WITHOUT WRITTEN PERMISSION. DIGITAL EQUIPMENT CORPORATION. COPYRIGHT © 1978

\*

COMPONENT DESIGNATOR	-00 VARIATION	-YB VARIATION	-YB VARIATION
D36	13V, 1%	18V, 5%	13V, 1%
R39	42.2K, 1%	52.3K, 1%	42.2K, 1%
R80	2.67K, 1%	3.83K, 1%	2.67K, 1%
R103	2.67K, 1%	3.83K, 1%	2.67K, 1%
D37	672		672
W1		JUMPER	



LOGIC RTN (FROM SHEET 1)

+12B SHUTDOWN (FROM SHEETS 1 & 3)  
BLANKING (FROM SHEET 1)

RTN SENSE (FROM SHEET 1)

MEM PWR OK(L) (J1-4)

REVISIONS		
CHK	CHANGE NO	REV.



THIS DRAWING AND SPECIFICATIONS, HEREIN, ARE THE PROPERTY OF DIGITAL EQUIPMENT CORPORATION AND SHALL NOT BE REPRODUCED OR COPIED OR USED IN WHOLE OR IN PART AS THE BASIS FOR THE MANUFACTURE OR SALE OF ITEMS WITHOUT WRITTEN PERMISSION. COPYRIGHT © DIGITAL EQUIPMENT CORPORATION 1975

N 10-200912 2

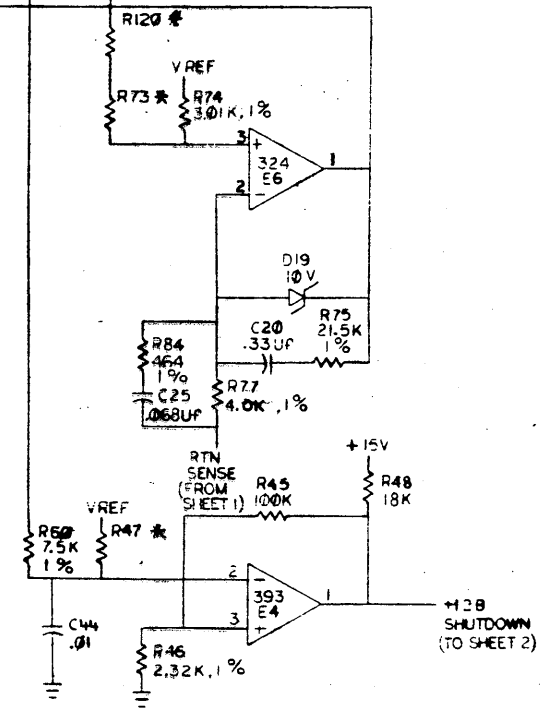
\*

COMPONENT DESIGNATOR	-00 VARIATION	-YA VARIATION	-YB VARIATION
D18	13V, 1%	18V, 5%	18V, 5%
W2	—	JUMPER	JUMPER
R47	3.48K, 1%	2.8K, 1%	2.8K, 1%
R73	5.62K, 1%	5.36K, 1%	5.36K, 1%
R120	1.47K, 1%	3.48K, 1%	3.48K, 1%
D38	672	—	—

LOGIC RTN (FROM SHEET 1)

BLANKING (FROM SHEET 1)

-15B @ 1.5A (-YA & -YB VARIATIONS)  
-12B @ 1.5A (-00 VARIATION)  
J1-Q,E



REVISIONS		
CHK	CHANGE NO.	REV.

TITLE MEM REG  
SCALE  
SHEET 3 OF 3  
SIZE CODE DCS  
NUMBER 5413607-C1  
REV. N

LINE	ITEM	DOCUMENT NUMBER	PART NUMBER	DESCRIPTION	QTY PER VARIATION			REFERENCE DESIGNATOR
					00	YA	YB	
1	1	D-MD-5013606-0-0	5013606-00	DRILL & ETCH BD	1	1	1	
2	2		1004813-00	10 MFD 20V 10% S.TANT	1	1	1	C30
3	3		1000042-00	1000.0 MMF 100V 5%200PPM MICA	3	3	3	C3,C39,C12
4	4		1000052-00	.068 MFD 100V 10% MYLR	1	1	1	C25
5	5		1000060-00	6800.0 MMF 200V 10% MYLR	1	1	1	C31
6	6		1000075-00	25 MFD 25V +75-10% AL EL	1	1	1	C7
7	7	SEE NOTE #157	1001610-01	.01 MFD50/100V +80-20% DISC	11	11	11	C4-C6,C8-C10,C21,C33,C15,C43,C44
8	8		1001776-00	1 MFD 35V 10% S.TANT	1	1	1	C16
9	9		1001636-00	2400.0 MMF 100V 5%200PPM MICA	2	2	2	C28,C40
10	10		1014170-00	2700.0 MMF 100V 1% 70PPM MICA	1	1	1	C38
11	11		1002627-00	2.2MFD 20V 10% S.TANT	1	1	1	C19
12	12		1005328-00	.33 MFD 20V 10% S.TANT	1	1	1	C20
13	13		1009312-00	.0047 MFD 100V 1% MYLR	1	1	1	C37
14	14		1010274-01	.22 MFD 50V +80-20% Z5U CER	1	1	1	C29
15	15		1011740-02	1800.0 MMF 50V 10% CER	1	1	1	C17
16	16		1011895-00	.15 MFD 35V 10% S.TANT	1	1	1	C24
17	17		1012784-00	.047 MFD 50V +80-20% CER	10	10	10	C2,C14,C18,C22,C26,C32,C34-C36,C11
18	18		1100122-00	VZ= 3.9 5% 400 MW 1N748A	3	3	3	D16,D22,D34
19	19		1105275-00	PIV= 60 IO=300 MA -15NS	19	-	-	D1,D7,D8,D10,D11,D13,D14,D20,D23-D26,D28,D29,D31,D32,D35,D37,D38
			CONT		-	17	-	D1,D7,D8,D10,D11,D13,D14,D20,D23-D26,D28,D29,D31,D32,D35
			CONT		-	-	18	D1,D7,D8,D10,D11,D13,D14,D20,D23-D26,D28,D29,D31,D32,D35,D37
20	20		1100125-00	VZ= 10.0 5% 400 MW 1N758A	1	1	1	D19
21	21		1105871-00	VZ= 5.15 1% 250 MW	3	3	3	D17,D30,D39
22	22		1118411-00	VZ= 13.0 1% 500 MW 1N5243	2	-	-	D18,D36
			CONT		-	-	1	D36

REVISION HISTORY			BASIC PART NO: 5413607			DRN: J.FERGUSON			DATE: 06-AUG-80			D I G I T A L			
ENG	ECO NUMBER	REV	SECTION A OF A			CHK'D: J.FERGUSON			DATE: 06-AUG-80			TITLE PARTS LIST			
	TW005	H	SECTION VARIATION INDEX			DES.ENG: B.WOLF			DATE: 06-AUG-80			DOCUMENT NUMBER			
MS	5413607-TW006	J	[A]	00, YA, YB		RESP.ENG.: B.WOLF			DATE: 06-AUG-80			SIZE	CODE	NUMBER	REV
KK	5413607-TW009	K	[B]			MFG.ENG.: P.WAITKUS			DATE: 06-AUG-80			K	PL	5413607-0-DBP	R
CS	5413607-TW010	L	[C]			ASSEMBLY NUMBER:			TOP DOCUMENT NUMBER:			FILE NAME:			
CS	5413607-TW012	M	[D]			D-UA-5413607-0-0			B-DD-5413607-0-0			Z0403R.PLS			
CS	5413607-TW013	N	[E]									EDIT #			
KK	5413607-TW014	P	[F]									9			
CS	5413607-TW015	R	[H]												
			[J]												
			[K]												
			[L]												
			[M]												
			[N]												

"THIS DRAWING AND SPECIFICATIONS HEREIN, ARE THE PROPERTY OF DIGITAL EQUIPMENT CORPORATION AND SHALL NOT BE REPRODUCED OR COPIED OR USED IN WHOLE OR IN PART AS THE BASIS FOR THE MANUFACTURE OR SALE OF ITEMS WITHOUT WRITTEN PERMISSION. COPYRIGHT (C) 1983. DIGITAL EQUIPMENT CORPORATION"

LINE	ITEM	DOCUMENT NUMBER	PART NUMBER	DESCRIPTION	QTY PER VARIATION			REFERENCE DESIGNATOR
					00	YA	YB	
23	23		1116645-03	RECT,ULTRA FAST PIV= 100 IO=25.0	2	2	2	D4,D6
24	24		1110713-00	VZ= 5.1 2% 400 MW 1N751	2	2	2	D12,D15
25	25		1110856-00	VZ= 24.0 5% 400 MW 1N970B	1	1	1	D5
26	26		1111205-00	VZ= 5.7 2% 400 MW	1	1	1	D2
27	27		1114602-00	RECT,ULTRA FAST PIV= 100 IO= 4.0	1	1	1	D3
28	28		1110968-00	SCR PIV= 100 IO= .80A 2N5062	3	3	3	Q4,Q12,Q26
29	29		1010978-40	.22 MFD 50V 10% CER	2	2	2	C23,C42
30	30		1210929-02	FUSE, SUB-MINI 1.000A, 125V, A	1	1	1	F3
31	31		1205747-00	FUSE, SUB-MINI, 5.000A, 125V, A	1	1	1	F1
32	32		1216112-03	PCB,HEADER 50POS(1X50).156CC 90D	1	1	1	J1
33	33		1305127-00	4.0 K .25 W 1.0 % RN55D-F10	2	2	2	R77,R85
34	34		1304856-00	4.64 K .25 W 1.0 % RN55D-F10	1	1	1	R72
35	35		1304854-00	5.11 K .25 W 1.0 % RN55D-F10	2	2	2	R94,R111
36	36		1300391-00	1.50 K .25 W 5.0 % CF	2	2	2	R34,R83
37	37		1300316-00	470.0 .25 W 5.0 % CF	3	3	3	R29,R49,R66
38	38		1300447-00	4.70 K .25 W 5.0 % CF	6	6	6	R99,R107,R112,R88,R89,R108
39	39		1300229-00	100.0 .25 W 5.0 % CF	9	9	9	R11,R17,R24,R26,R35,R53,R54, CONT R106,R114
40	40		1301317-00	10.0 .25 W 5.0 % CF	1	1	1	R21
41	41		1300364-00	1.0 K .50 W 5.0 % CF	1	1	1	R12
42	42		1300171-00	10.0 1.0 W 5.0 % CC	1	1	1	R25
43	43		1313014-00	.01 3.75 W 3.0 % WW	1	1	1	R14
44	44		1301864-00	390.0 2.0 W 5.0 % CC	1	1	1	R28
45	45		1300479-00	10.0 K .25 W 5.0 % CF	5	5	5	R4,R33,R55,R96,R98
46	46		1309595-00	1.0 M .25 W 5.0 % CF	1	1	1	R38
47	47		1303114-00	1.0 K .25 W 1.0 % RN55D-F10	6	6	6	R2,R3,R61,R69,R70,R101
48	48	BLANK		*** THIS ITEM IS NOT USED ***	-	-	-	
49	49		1300365-00	1.0 K .25 W 5.0 % CF	16	16	16	R1,R16,R19,R56-R58,R64,R67,R82, CONT R87,R93,R100,R110,R115,R116,R118
50	50		1301522-00	27.0 .25 W 5.0 % CF	3	3	3	R15,R18,R27
51	51		1305114-00	3.48 K .25 W 1.0 % RN55D-F10	1	-	-	R47
			CONT		-	1	1	R120
52	52		1301890-00	560.0 .25 W 5.0 % CF	3	3	3	R65,R90,R117
53	53		1300426-00	2.70 K .25 W 5.0 % CF	2	2	2	R50,R121
54	54		1211751-00	FUSE, SUB-MINI, 2.000A, 125V, A	1	1	1	F4
55	55		1305128-00	5.62 K .25 W 1.0 % RN55D-F10	3	-	-	R68,R73,R91
			CONT		-	2	-	R68,R91
			CONT		-	-	1	R68
56	56		1303044-00	100.0 K .25 W 1.0 % RN55D-F10	1	1	1	R45
57	57		1309787-00	249.0 .25 W 1.0 % RN55E-F 2	1	1	1	R62
58	58		1310876-03	.05 5.0 W 3.0 % WW	1	1	1	R22
59	59		1305124-00	287.0 .25 W 1.0 % RN55D-F10	2	2	2	R10,R20
60	60		1310631-00	2.21 K .25 W 1.0 % RN55D-F10	1	1	1	R9
61	61		1313341-00	5.36 K .25 W 1.0 % RN55D-F10	1	-	-	R105
			CONT		-	2	2	R105,R73
62	62		1304862-00	1.62 K .25 W 1.0 % RN55D-F10	1	1	1	R92
63	63		1300202-00	47.0 .25 W 5.0 % CF	2	2	2	R23,R30
64	64		9006801-00	SPACER,CLEAR HOLE HEX ALUM 6	1	1	1	

D	I	G	I	T	A	L	TITLE	SECTION A	OF A	SIZE	CODE	DOCUMENT NUMBER	REV
							MEMORY REG			K	PL	5413607-0-DBP	R

PARTS LIST

LINE	ITEM	DOCUMENT NUMBER	PART NUMBER	DESCRIPTION	QTY	PER	VARIATION	REFERENCE DESIGNATOR
					00	YA	YB	
65	65		1311845-00	487.0 .25 W 1.0 * RN55D-F10	4	4	4	R13,R40,R41,R52
66	66		1315436-00	52.30 K .25 W 1.0 * RN55D-F10	-	1	-	R39
67	67		1310876-00	.02 5.0 W 3.0 * WW	1	1	1	R37
68	68		1304843-00	243.0 K .25 W 1.0 * RN55D-F10	1	1	1	R42
69	69		9006026-01	SCREW,MACH PAN PHIL 6-	1	1	1	
70	70		1300440-00	3.30 K .50 W 5.0 * CF	1	1	1	R31
71	71		1312929-00	62.0 .25 W 5.0 * CF	2	2	2	R59,R119
72	72		1305252-00	68.10 K .25 W 1.0 * RN55D-F10	3	3	3	R71,R122,R5
73	73		1305325-00	8.25 K .25 W 1.0 * RN55D-F10	1	1	1	R76
74	74		9006653-00	WASHER,FLAT STEEL	1	1	1	
75	75		9107560-03	WIRE,BUSS 18AWG TIN BARE	A/R	A/R	A/R	
76	76		1305346-00	27.0 K .25 W 5.0 * CF	2	2	2	R8,R113
77	77		1310634-00	2.67 K .25 W 1.0 * RN55D-F10	2	-	2	R80,R103
78	78		1310632-00	2.37 K .25 W 1.0 * RN55D-F10	1	1	1	R102
79	79		1301874-00	5.60 K .25 W 5.0 * CF	2	2	2	R95,R97
80	80		1300444-00	3.90 K .25 W 5.0 * CF	1	1	1	R78
81	81	BLANK		*** THIS ITEM IS NOT USED ***	-	-	-	
82	82		1303155-00	21.50 K .25 W 1.0 * RN55D-F10	1	1	1	R75
83	83		1314041-00	3.01 K .25 W 1.0 * RN55D-F10	1	1	1	R74
84	84		1312931-00	6.20 K .25 W 5.0 * CF	4	4	4	R51,R81,R86,R109
85	85		1000016-00	100.0 MMF 100V 5*200PPM MICA	2	2	2	C1,C13
86	86		1304833-00	1.96 K .25 W 1.0 * RN55D-F10	1	1	1	R79
87	87		1305322-00	7.50 K .25 W 1.0 * RN55D-F10	1	1	1	R60
88	88		1312545-00	2.32 K .25 W 1.0 * RN55D-F10	1	1	1	R46
89	89		1300433-00	3.0 K 1.0 W 5.0 * CC	1	1	1	R32
90	90		1302398-00	470.0 K .25 W 5.0 * CF	1	1	1	R6
91	91		1000023-00	330.0 MMF 100V 5*200PPM MICA	1	1	1	C27
92	92		1302465-00	18.0 K .25 W 5.0 * CF	1	1	1	R48
93	93		1303047-00	464.0 .25 W 1.0 * RN55D-F10	1	1	1	R84
94	94		1305422-00	137.0 K .25 W 1.0 * RN55D-F10	2	2	2	R43,R44
95	95		1301838-00	120.0 1.0 W 5.0 * CC	1	1	1	R104
96	96		9107370-00	WIRE, 14AWG19/.0147IPVC 150V	A/R	A/R	A/R	
97	97		9007928-00	TERM,RING #10STUD CRIMP 14-1	2	2	2	
98	98	BLANK		*** THIS ITEM IS NOT USED ***	-	-	-	
99	99		9007201-00	PAD,MOUNTING,COMPONENT	4	4	4	
100	100		9008268-00	COMPOUND, THERMAL JOINT	A/R	A/R	A/R	
101	101		1510928-00	SCR PIV= 100 IO=25.00A	1	1	1	Q3
102	102		1505867-00	SCR PIV= 50 IO= 8.00A 2N4441	2	2	2	Q6,Q25
103	103		1305108-00	1.47 K .25 W 1.0 * RN55D-F10	1	-	-	R120
104	104		1510969-00	2N 5038 NPN 140WC SI 90 50 Y	1	1	1	Q5
105	105		1510708-00	D 45H8 PNP 50WT SI 60 60 Y	2	2	2	Q2,Q8
106	106		1510959-00	2N 3725 NPN 3.5WC SI 50 60 P	1	1	1	Q11
107	107		1510706-01	B 55 PNP 500MW SI 60 50	3	3	3	Q17,Q20,Q24
108	108		1513490-00	2N 4403 PNP 350MW SI-40 30	3	3	3	Q1,Q15,Q27
109	109		1509524-00	2N 3904 NPN 310MW SI 40 40 M	8	8	8	Q10,Q16,Q18,Q19,Q21,Q22,Q23,Q28
110	110		1512652-00	2N 6490 PNP 50W SI 60 40	1	1	1	Q13
111	111		1501913-00	2N 2904A PNP 600MW SI 60 40 Y	2	2	2	Q7,Q14
112	112		1914473-02	7815A VOLT REG,FIX +15V	1	1	1	E3

D	I	G	I	T	A	L	TITLE	SECTION A	OF A	SIZE	CODE	DOCUMENT NUMBER	REV
							MEMORY REG			K	PL	5413607-0-DBP	R

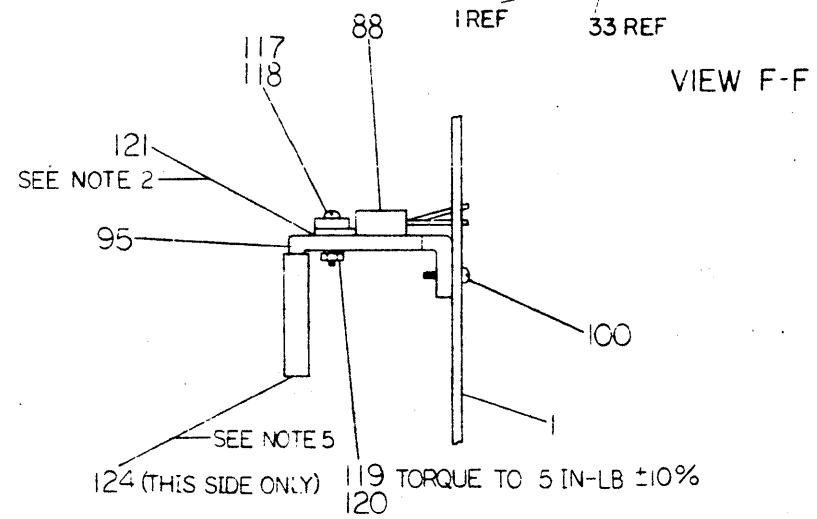
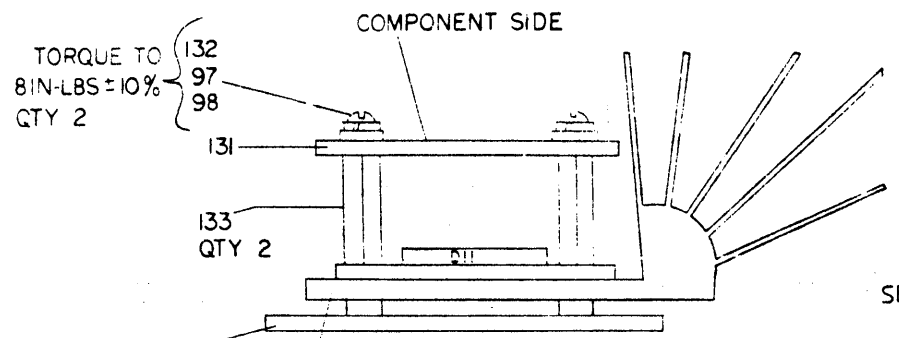
LINE	ITEM	DOCUMENT NUMBER	PART NUMBER	DESCRIPTION	QTY PER VARIATION			REFERENCE DESIGNATOR
					00	YA	YB	
113	113		1914156-00	LM 393 VOLT.COMPARATOR DUAL	3	3	3	E1,E2,E4
114	114		1912107-00	324 OP AMP,QUAD	1	1	1	E6
115	115		1911944-00	555CN TIMER,FUNCT.BLOCK	3	3	3	E7,E8,E10
116	116		1912858-00	LS221 ONE SHOT-DUAL,SCHMIT	1	1	1	E5
117	117		1616212-00	80.0 UH 12.5ADC 30KHZ	1	1	1	L1
118	118		1616210-00	250.0 UH @ 6.5A DC,600.0 UH @	1	1	1	L2
119	119		1616211-00	350.0 UH 3A	1	1	1	L3
120	120		7422046-00	HEAT SINK,SINGLE	3	3	3	
121	121		7422047-01	HEAT SINK DOUBLE	2	2	2	
122	122		1213426-03	HEAT SINK,TO-3 1.880X01.4	1	1	1	
123	123		1214789-00	INSERT,THREAD	2	2	2	
124	124		9009769-00	WASHER,RECTNGLR STEEL	3	3	3	
125	125		9010128-00	SCREW,TAP PAN PHIL THD RL 4-	7	7	7	
126	126		9006024-01	SCREW,MACH PAN PHIL 6-	2	2	2	
127	127		9006011-01	SCREW,MACH PAN PHIL 4-	3	3	3	
128	128		9006688-00	WASHER,HELICAL SPLIT SST	3	3	3	
129	129		9006556-00	NUT,HEX 4-40X .264AF SS/N	3	3	3	
130	130		9006041-01	SCREW,MACH PAN PHIL 8-	2	2	2	
131	131		9006802-00	SPACER,CLEAR HOLE HEX ALUM 8	2	2	2	
132	132		9006656-00	WASHER,FLAT STEEL	2	2	2	
133	133		9007801-00	WASHER,HELICAL SPLIT SST	3	3	3	
134	134		9006690-00	WASHER,HELICAL SPLIT SST	2	2	2	
135	135		9006660-00	WASHER,FLAT SST	2	2	2	
136	136		9009005-00	NUT,HEX 10-32X .246AF SS/N	2	2	2	
137	137		9007906-00	WASHER,HELICAL SPLIT STEEL	2	2	2	
138	138		9009185-00	JUMPER, WIRE, INSULATED, BLACK B	-	2	-	W1,W2
			CONT		-	-	1	W2
139	139	BLANK		*** THIS ITEM IS NOT USED ***	-	-	-	
140	140		1509700-00	2N 4036 PNP 7WC SI 80100 M	1	1	1	Q9
141	141	BLANK		*** THIS ITEM IS NOT USED ***	-	-	-	
142	142	BLANK		*** THIS ITEM IS NOT USED ***	-	-	-	
143	143	BLANK		*** THIS ITEM IS NOT USED ***	-	-	-	
144	144		9107688-55	WIRE(WRAP) 24AWG KYNAR UL13	A/R	A/R	A/R	
145	145		1110766-00	VZ= 18.0 5* 500M2 1N5248B D	-	2	-	D18,D36
			CONT		-	-	1	D18
146	146		1309413-00	3.83 K .25 W 1.0 % RN55D-F10	-	2	-	R80,R103
147	147		1305145-00	2.80 K .25 W 1.0 % RN55D-F10	-	1	1	R47
148	148		1312993-00	20.0 1.0 W 5.0 % CC	1	1	1	R123
149	149		1314923-00	42.20 K .25 W 1.0 % RN55D-F10	1	-	1	R39
150	150		1210929-09	FUSE, SUB-MINI, 7.000A, 125V,AXI	1	1	1	F2
151	151		1316575-00	10.0 2.0 W 5.0 % CC	1	1	1	R36
152	152		1114893-00	RECT,ULTRA FAST PIV= 50 IO= 6.0	1	1	1	D40
153	153		1911944-01	555-1 TIMER FUNCT.BLOCK,5	1	1	1	E9
154	154		1305336-00	200.0 K .25 W 1.0 % RN55D-F10	1	1	1	R7

D	I	G	I	T	A	L	TITLE	SECTION A OF A	SIZE	CODE	DOCUMENT NUMBER	REV
							MEMORY REG		K	PL	5413607-0-DBP	R

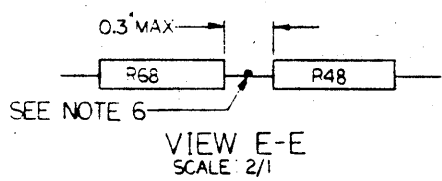
LINE ITEM	DOCUMENT NUMBER	PART NUMBER	DESCRIPTION	QTY PER VARIATION			REFERENCE DESIGNATOR
				00	YA	YB	

155 NOTE: ITEM #75; .17' IS USED.  
 156 NOTE: ITEM #144; .19' IS USED.  
 157 NOTE: ITEM #96; .56' IS USED.  
 158 NOTE: ITEM #7, FOR C43 & C44, DEC P/N 1001610-00 MAY BE USED IN PLACE OF DEC P/N 1001610-01.

D	I	G	I	T	A	L	TITLE	SECTION A	OF	A	SIZE	CODE	DOCUMENT NUMBER	REV
CHK	HH	14					MEMORY REG				K	PL	5413607-0-DBP	R



VIEW C-C  
SCALE: 2/1



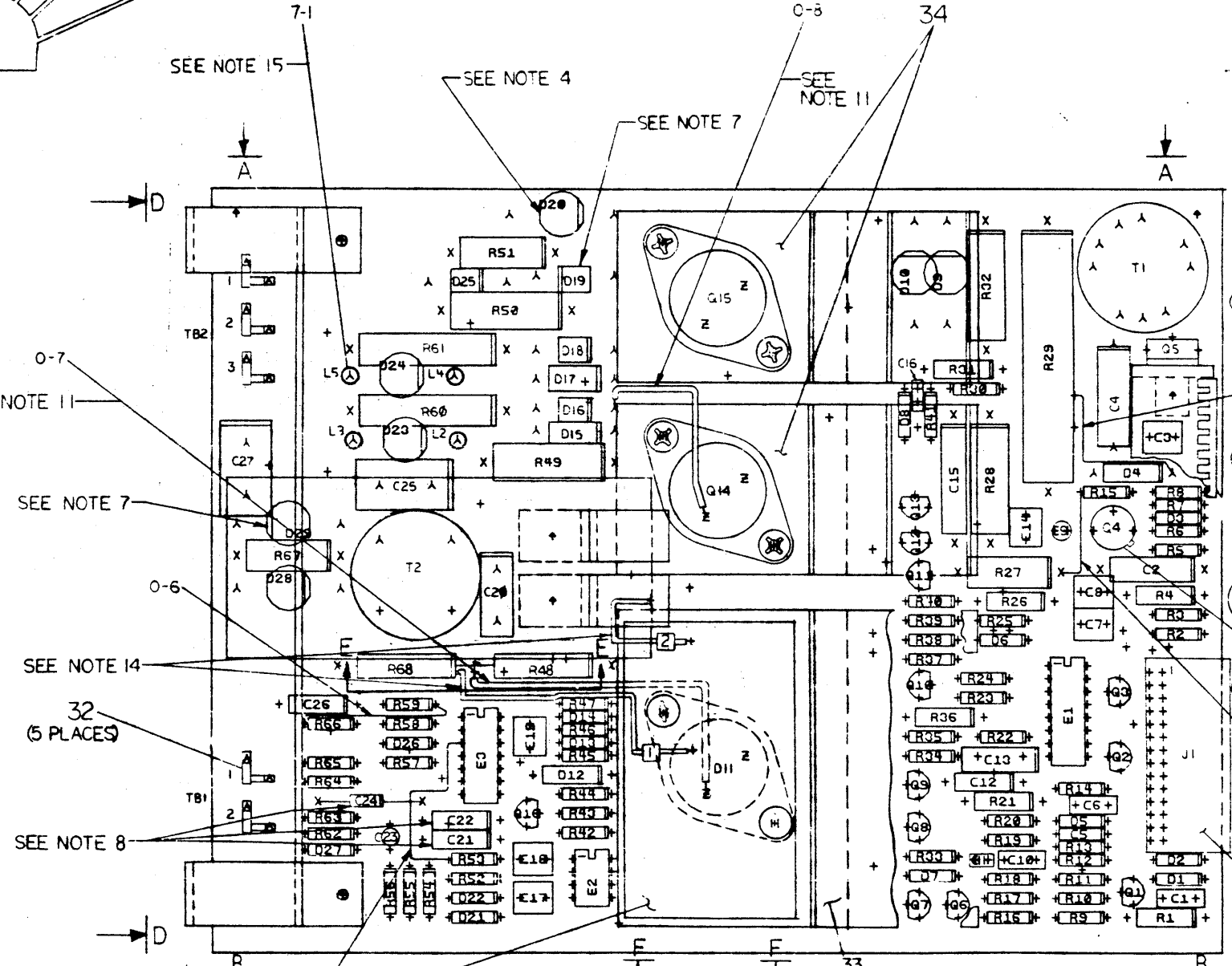
VIEW E-E  
SCALE: 2/1

5. APPLY SPROMMET (ITEM 124) TO HEAT SINK (ITEM 95) USING PERMABOND (ITEM 126) (USE ONLY ON SIDE INDICATED)
6. R48 & R68 ARE CONNECTED BY TWISTING ONE LEAD OF R68 WITH ONE LEAD OF R48 AND SOLDERING. THE SPECIFIED SPACING BETWEEN THE BODIES OF THE RESISTORS MUST NOT BE EXCEEDED AND ALL EXTRA LEAD MATERIAL MUST BE REMOVED
7. D13 & D25 HAVE CATHODES IN OPPOSITE DIRECTION TO OTHER DIODES ON BOARD
8. APPLY INSULATING SLEEVING (ITEM 127) TO EACH LEAD OF C24, C22 & C21
9. POSITIVE TERMINAL OF CAP. C28 (ITEM 16) IS CONNECTED TO THIS CAPACITOR STRAP (ITEM 103)
10. NEGATIVE TERMINAL OF CAPACITOR C28 (ITEM 16) IS CONNECTED TO THIS CAPACITOR STRAP (ITEM 103)
11. USE 22 AWG BUS WIRE (ITEM 129) AND APPLY INSULATING SLEEVING (ITEM 127) TO REWORK INSTRUCTION \*0-1 & 0-8
12. REMOVE ENTIRE ETCH BETWEEN CUT MARKS FOR REWORK INSTRUCTIONS \*0-1, 0-2 & 0-4
13. Q5 MUST BE MOUNTED TO HEATSINK BEFORE BEING ATTACHED TO P.C.B.

NOTES: 1. USE TRANSIPAD (ITEM 122) UNDER Q4  
 2. USE THERMAL COMPOUND (ITEM 126) BETWEEN D11, Q5, Q14, Q15 AND HEAT SINKS  
 3. APPLY SPROMMET (ITEM 112) TO XFMR MTG. BPMT (ITEM 127) USING PERMABOND (ITEM 126) APPLY ONLY IN AREA INDICATED  
 4. PAISE P23, R48, R61, R32, R49, R67, D9, R25, D78, D23, D24, D23 AND D25. 170 TO 150 OFF P.C.B. APC

CHK	CHANGE NO	REV	DATE	BY	APP
	1				
	2				
	3				
	4				
	5				
	6				
	7				
	8				
	9				
	10				

14. TACK SOLDER LEAD #1 TO ETCH UNDER R68 AND USE PTH NEAR HEATSINK (ITEM 33) FOR LEAD #2
15. INSTALL FERRITE BEADS (ITEM 135) L2-L5, ON LEADS OF D23 AND D24.

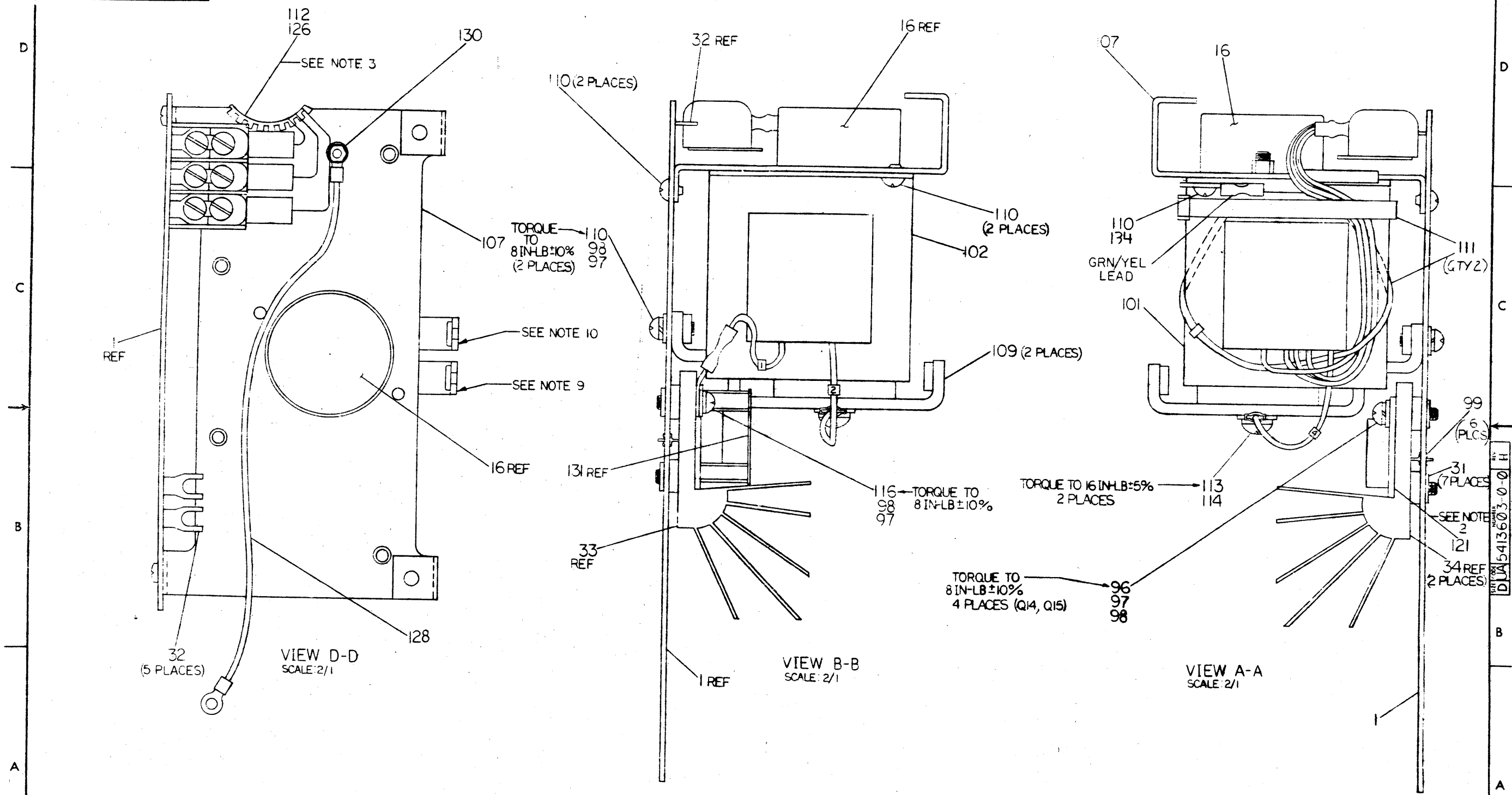


ETCH REV.	P.C. DESIGN DATA BASE REV.

SIGNATURES	DATE	TITLE
DRM.	2-27	digital
CMK.	2-25	
ENG.	2-27	
PROJ. ENG.	2-27	MEMORY INVERTER
PROD. + MFG.	7-15	
SCALE 2/1		
SHT. 1 OF 5		
NEXT HIGHER ASSY.		

THIS DRAWING AND SPECIFICATIONS HEREIN ARE THE PROPERTY OF DIGITAL EQUIPMENT CORPORATION AND SHALL NOT BE REPRODUCED OR COPIED OR USED IN WHOLE OR IN PART AS THE BASIS FOR THE MANUFACTURE OR SALE OF ITEMS WITHOUT WRITTEN PERMISSION. COPYRIGHT © 1965 DIGITAL EQUIPMENT CORPORATION

DUA 5413603-0-0 2



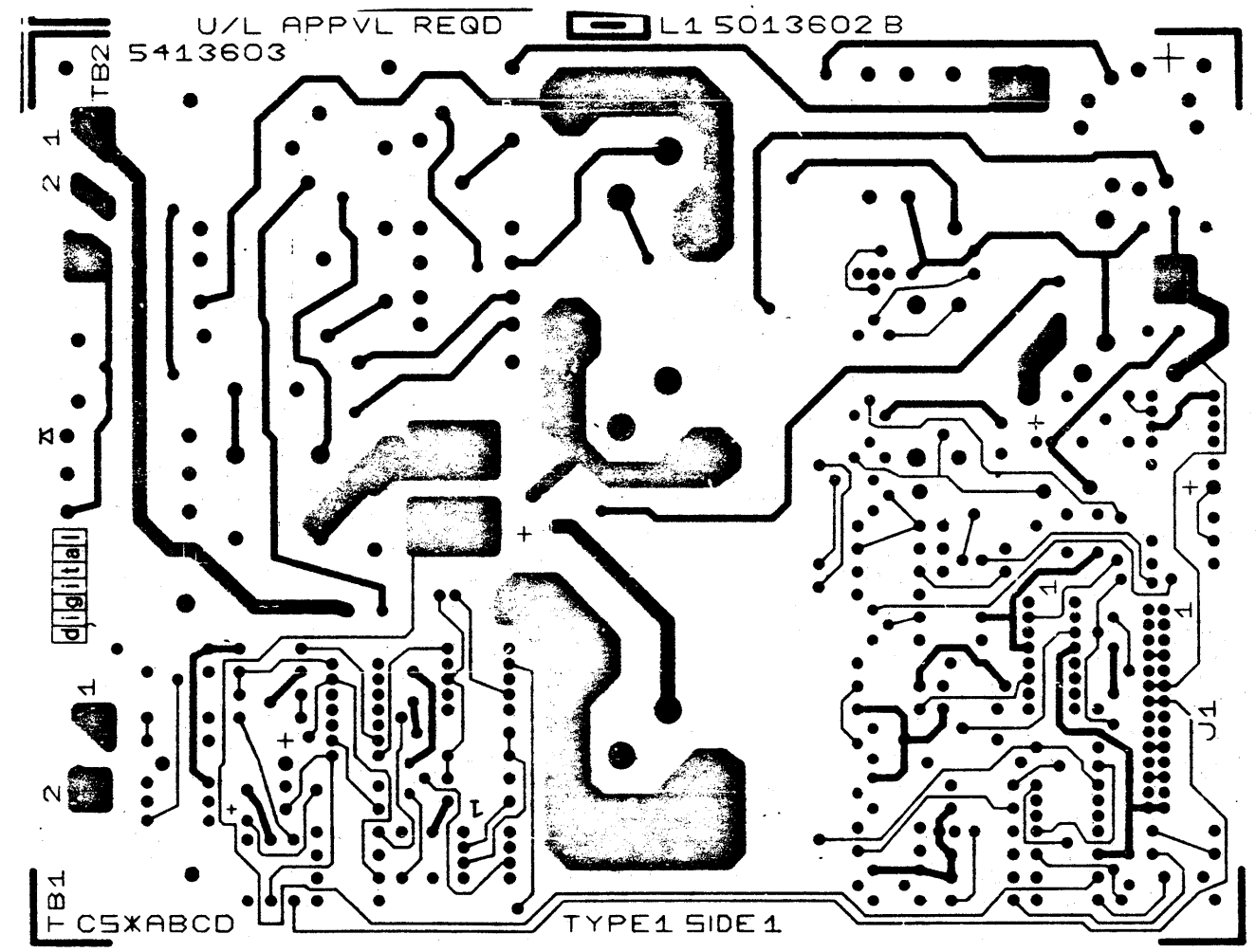
REVISIONS		
CHK	CHANGE NO	REV

TITLE	SIZE CODE	NUMBER	REV.
MEMORY INVERTER	DUA 5413603-0-0	H	
SCALE 2/1	SHEET 2 OF 5	DIST.	

8 7 6 5 4 3 2 1



THIS DRAWING AND SPECIFICATIONS HEREIN ARE THE PROPERTY OF DIGITAL EQUIPMENT CORPORATION AND SHALL NOT BE REPRODUCED OR COPIED OR USED IN WHOLE OR IN PART AS THE BASIS FOR THE MANUFACTURE OR SALE OF ITEMS WITHOUT WRITTEN PERMISSION. COPYRIGHT © 1970 DIGITAL EQUIPMENT CORPORATION



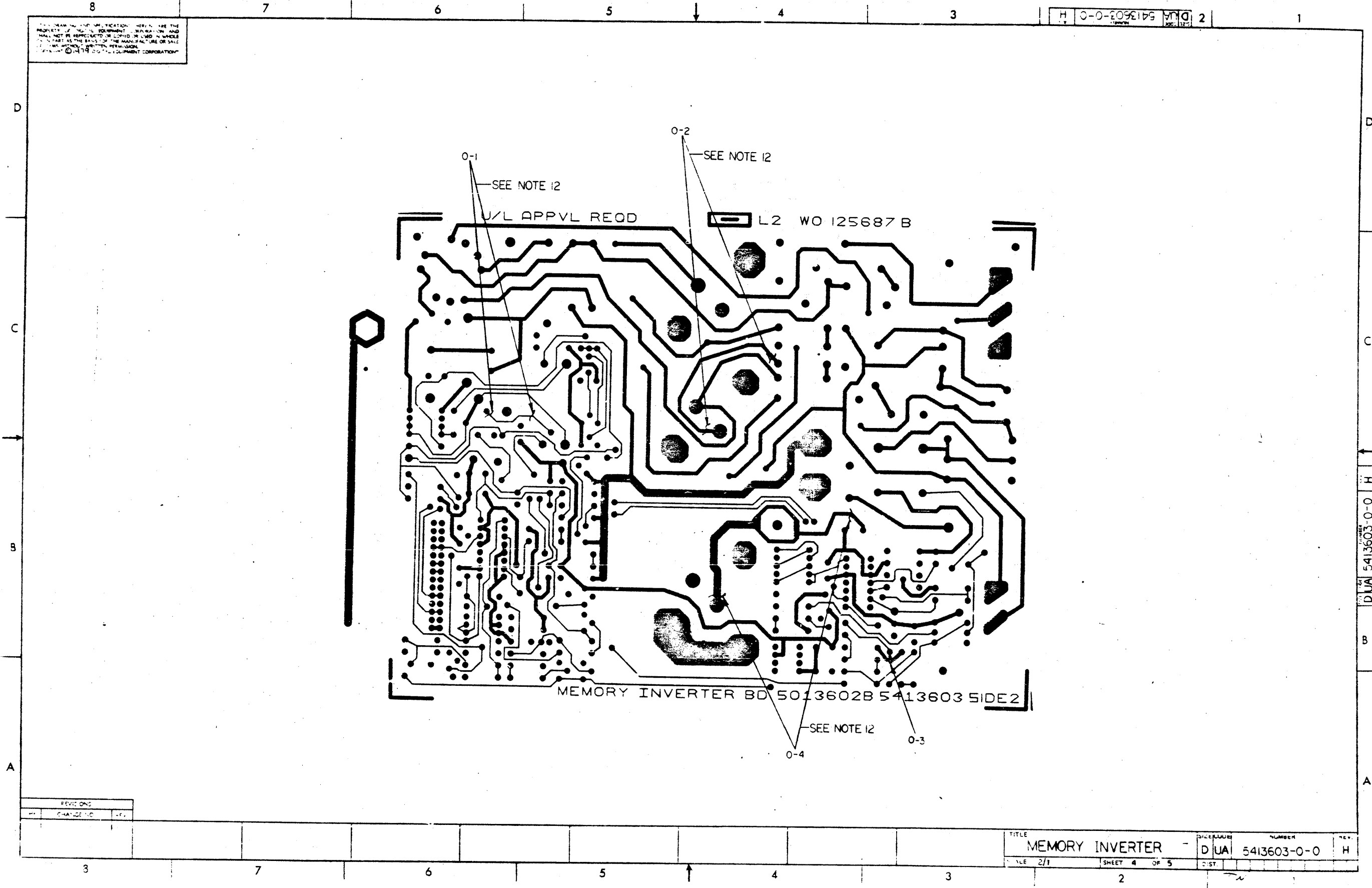
REVISIONS		
CHK	CHANGE NO	REV

TITLE	SIZE/COOE	NUMBER	REV
MEMORY INVERTER	D UA	5413603-0-0	H
SCALE 2/1	SHEET 3 OF 5	DIST.	

D UA 5413603-0-0 H

ALL DRAWINGS AND SPECIFICATIONS HEREIN ARE THE PROPERTY OF DIGITAL EQUIPMENT CORPORATION AND SHALL NOT BE REPRODUCED OR COPIED IN WHOLE OR IN PART AS THE RESULT OF THE MANUFACTURE OR SALE OF ANY PRODUCT WITHOUT WRITTEN PERMISSION OF DIGITAL EQUIPMENT CORPORATION.

DUA 5413603-0-0 H 2



MEMORY INVERTER BD 5013602B 5413603 SIDE 2

REVISIONS		
NO.	CHANGE NO.	REV.

TITLE	DISCUSSION	NUMBER	REV.
MEMORY INVERTER	DUA	5413603-0-0	H
SCALE 2/1	SHEET 4 OF 5	DIST.	

8

H 10-0-0092179 N D  
1 1960 1 1960

6

5

4

3

2

1

THIS DRAWING AND SPECIFICATIONS HEREIN ARE THE PROPERTY OF DIGITAL EQUIPMENT CORPORATION AND SHALL NOT BE REPRODUCED, COPIED, OR USED IN WHOLE OR IN PART AS THE BASIS FOR THE MANUFACTURE OR SALE OF ITEMS WITHOUT WRITTEN PERMISSION.  
COPYRIGHT © 1979 DIGITAL EQUIPMENT CORPORATION

### REWORK INSTRUCTIONS

ETCH CUTS SIDE 2:  
0-1 FROM R15 TO PTH BETWEEN C15 & R28. (REMOVE ENTIRE ETCH BETWEEN CUT MARKS)  
0-2 FROM Q14/BASE TO D16/CATHODE. (REMOVE ENTIRE ETCH BETWEEN CUT MARKS)  
0-3 FROM R53 TO R55  
0-4 FROM D11/ANODE TO PTH CONNECTING TO TB2-1. (REMOVE ENTIRE ETCH BETWEEN CUT MARKS).

WIRE ADDS SIDE 1:  
0-5 FROM R53 TO E3-3  
0-6 FROM R66 TO R59  
0-7 FROM PTH CLOSER TO R68 TO D11/ANODE. (USE ITEMS 127 & 129)  
0-8 FROM D16/CATHODE TO Q14/BASE. (USE ITEMS 127 & 129)  
0-9 FROM D4/CATHODE TO PTH BETWEEN C4 & R29  
0-10 FROM R27 TO R15.

COMPONENT ADDS:  
7-1 ADD L2-L5, DEC P/N 16-22663-01.  
ONE PART ON EACH LEAD OF D23 AND D24.

D  
C  
B  
A

D  
C  
B  
A

REV BY  
DUA 5413603-0-0 II

REVISION HISTORY		
DATE	ECO NUMBER	REV

TITLE		DOCUMENT NUMBER	
MEMORY INVERTER		DUA	5413603-0-0
SCALE	SHEET		OF
	5		5

8

7

6

5

4

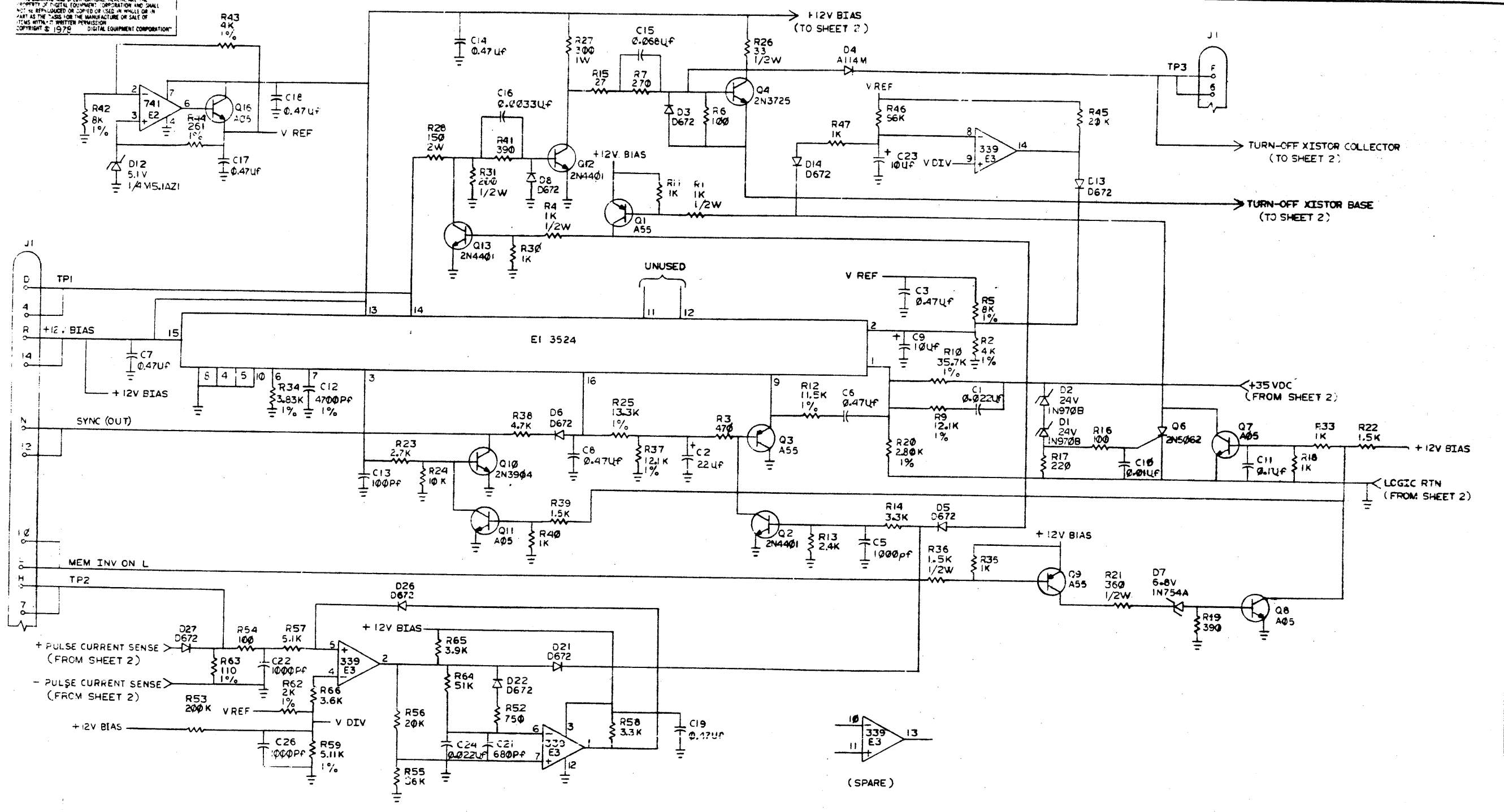
3

2

1

THIS DRAWING AND SPECIFICATIONS HEREIN ARE THE PROPERTY OF DIGITAL EQUIPMENT CORPORATION AND SHALL NOT BE REPRODUCED OR COPIED OR USED IN WHOLE OR IN PART AS THE BASIS FOR THE MANUFACTURE OR SALE OF ITEMS WITHOUT WRITTEN PERMISSION OF DIGITAL EQUIPMENT CORPORATION. COPYRIGHT © 1970

1-0-2092179 2

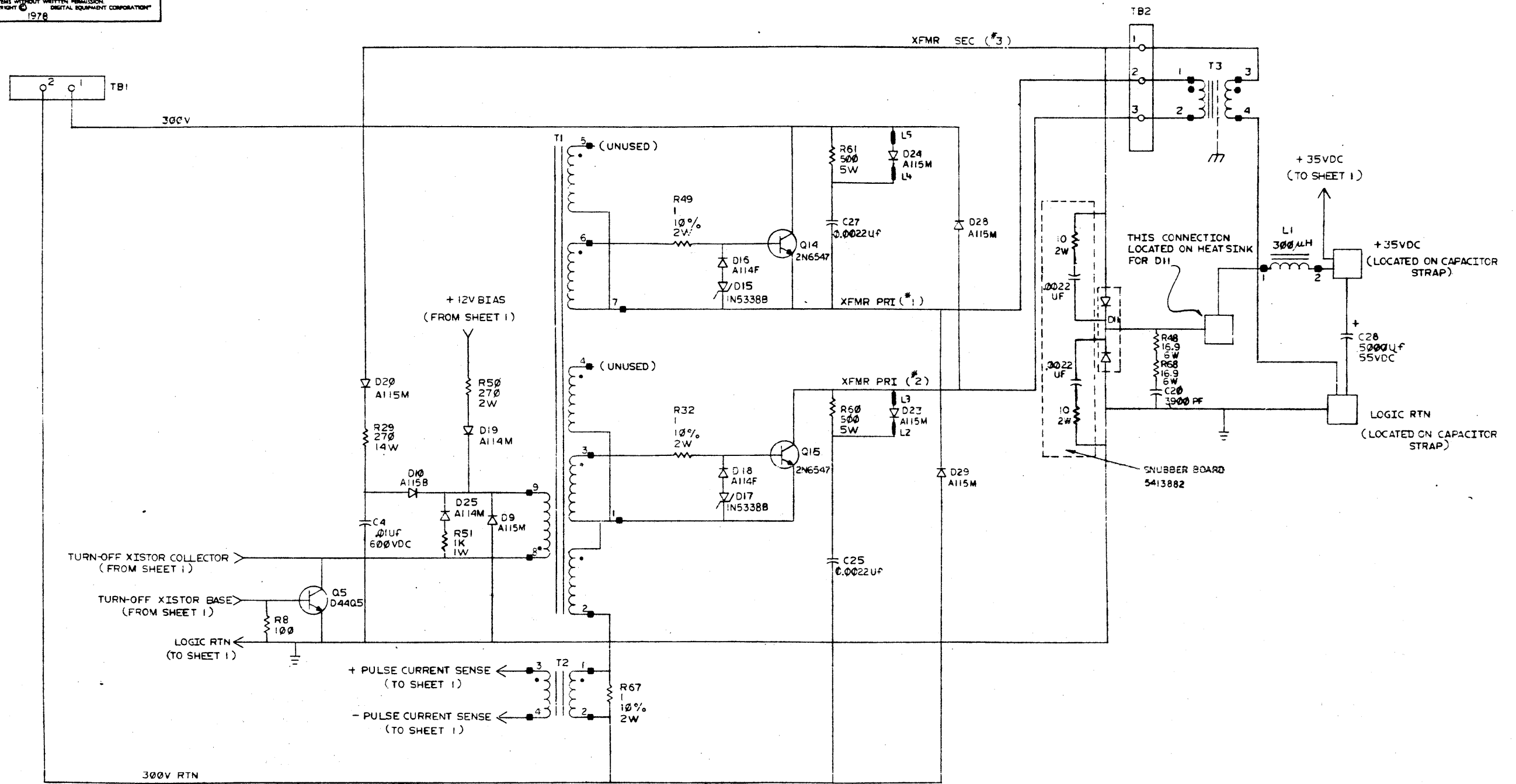


REV.	CHG.	BY	DATE
1	15413603-TW001	B	24 APR 69
2	15413603-TW001	B	24 APR 69
3	15413603-TW001	B	24 APR 69
4	15413603-TW001	B	24 APR 69
5	15413603-TW001	B	24 APR 69
6	15413603-TW001	B	24 APR 69
7	15413603-TW001	B	24 APR 69
8	15413603-TW001	B	24 APR 69

DRN	1-0-2092179	FIRST USED ON	
CHK'D		TITLE	MEMORY INVERTER
ENG.		PROJ. ENG. & DATE	7-27-70
PROD. F.		DATE	7-15-70
NEXT HIGHER ASSY.		SIZE	D
SCALE		CODE	CS
SHEET 1 OF 2		NUMBER	5413603-0
		REV.	J

THIS DRAWING AND SPECIFICATIONS HEREIN ARE THE PROPERTY OF DIGITAL EQUIPMENT CORPORATION AND SHALL NOT BE REPRODUCED OR COPIED OR USED IN WHOLE OR IN PART AS THE BASIS FOR THE MANUFACTURE OR SALE OF ITEMS WITHOUT WRITTEN PERMISSION. COPYRIGHT © DIGITAL EQUIPMENT CORPORATION 1978

DCS 54136C3-0-1



REVISIONS		
CHK	CHANGE NO.	REV.

TITLE	MEMORY INVERTER	SIZE CODE	D	NUMBER	DCS 54136C3-0-1	REV.	J
SCALE	←→	SHEET	2	OF	2	DIST.	

LINE	ITEM	DOCUMENT NUMBER	PART NUMBER	DESCRIPTION	QTY	PER VARIATION	REFERENCE DESIGNATOR
					00		
1	1	D-MD-5013602-0-0	5013602-00	DRILL & ETCH BD	1		
2	2		1000016-00	100.0 MMF 100V 5%200PPM MICA	1		C13
3	3		1000052-00	.068 MFD 100V 10% MYLR	1		C15
4	4	BLANK		*** THIS ITEM IS NOT USED ***	-		
5	5		1005636-00	22 MFD 6V 10% S.TANT	1		C2
6	6		1009312-00	.0047 MFD 100V 1% MYLR	1		C12
7	7		1010279-00	.47 MFD 25V 20% CER	8		C7,C18,C19,C8,C14,C17,C3,C6
8	8		1010978-24	.01 MFD 50V 10% CER	1		C10
9	9		1011740-01	3300.0 MMF 50V 10% CER	1		C16
10	10		1011683-00	.022 MFD 50V 10% CER	2		C1,C24
11	11		1013466-08	680.0 MMF 50V 10% X7R CER	1		C21
12	12		1013466-09	1000.0 MMF 50V 10% X7R CER	3		C5,C22,C26
13	13		1011847-02	.01 MFD 600V 10% POLYPROP	1		C4
14	14		1014139-00	.0022 MFD 600V 10% POLYPROP	2		C25,C27
15	15		1013397-00	3900.0 MMF 300V 10%200PPM MIC	1		C20
16	16		1016168-00	5000 MFD 55V 20% AL EL	1		C28
17	17		1010978-36	.1 MFD 50V 10% CER	1		C11
18	18		1010866-02	10 MFD 25V +50-20% S.TANT	2		C9,C23
19	19		1105275-00	PIV= 60 IO=300 MA -15NS	10		D26,D27,D21,D22,D8,D5,D3,D14, D13,D6
20	20		1105871-00	VZ= 5.15 1% 250 MW	1	CONT	D12
21	21		1109991-00	VZ= 6.8 5% 400 MW 1N754A	1		D7
22	22		1110856-00	VZ= 24.0 5% 400 MW 1N970B	2		D1,D2
23	23		1112594-01	PIV= 200 IO= 3.00A	1		D10
24	24		1112594-02	PIV= 600 IO= 3.00A	6		D24,D20,D23,D28,D29,D9
25	25		1112595-00	PIV= 50 IO= 1.00A AXIAL	2		D16,D18
26	26		1112595-02	PIV= 600 IO= 1.00A AXIAL	3		D25,D4,D19
27	27		1114192-00	PIV= 400 IO=15.00A TO-3	1		D11
28	28		1114435-00	VZ= 5.1 5% 5 W 1N5338	2		D15,D17
29	29		1110968-00	SCR PIV= 100 IO= .80A 2N5062	1		Q6

REVISION HISTORY			BASIC PART NO: 5413603		DRN: K.SHEYTANIAN		DATE: 20-DEC-78		D I G I T A L			
ENG	ECO NUMBER	REV	SECTION A OF A		CHK'D: F.GAROFALO		DATE: 20-DEC-78		TITLE PARTS LIST			
	INIT	A	SECTION VARIATION INDEX		DES.ENG: J.A.HERRMANN <td colspan="2">DATE: 20-DEC-78 <td colspan="4">MEMORY INVERTER</td> </td>		DATE: 20-DEC-78 <td colspan="4">MEMORY INVERTER</td>		MEMORY INVERTER			
RW	5413603-TW001	B	[A]	00	RESP.ENG.: J.HERMANN <td colspan="2">DATE: 20-DEC-78 <td colspan="4">DOCUMENT NUMBER</td> </td>		DATE: 20-DEC-78 <td colspan="4">DOCUMENT NUMBER</td>		DOCUMENT NUMBER			
AK	5413603-UW192!)	C	[B]		MFG.ENG.: J.COMELLA <td colspan="2">DATE: 20-DEC-78 <td>SIZE</td> <td>CODE</td> <td>NUMBER</td> <td>REV</td> </td>		DATE: 20-DEC-78 <td>SIZE</td> <td>CODE</td> <td>NUMBER</td> <td>REV</td>		SIZE	CODE	NUMBER	REV
AK	5413603-TW002	C	[C]		ASSEMBLY NUMBER:		TOP DOCUMENT NUMBER:		K	PL	5413603-0-DBP	J
RW	5413603-TW003	D	[D]		D-UA-5413603-0-0							
RW	5413603-TW004	E	[E]		FILE NAME:							
EC	5413603-TW005	F	[F]		EDIT #							39
EC	5413603-TW006	H	[H]									
RH	5413603-TW06A	H	[J]									
RW	5413603-TW007	J	[K]									
			[L]									
			[M]									
			[N]									

"THIS DRAWING AND SPECIFICATIONS HEREIN, ARE THE PROPERTY OF DIGITAL EQUIPMENT CORPORATION AND SHALL NOT BE REPRODUCED OR COPIED OR USED IN WHOLE OR IN PART AS THE BASIS FOR THE MANUFACTURE OR SALE OF ITEMS WITHOUT WRITTEN PERMISSION. COPYRIGHT (C) 1983. DIGITAL EQUIPMENT CORPORATION "

LINE	ITEM	DOCUMENT NUMBER	PART NUMBER	DESCRIPTION	QTY	PER VARIATION	REFERENCE DESIGNATOR
					00		
30	30		1216112-01	PCB,HEADER 28POS(1X28).156CC 90D	1		J1
31	31		1214789-00	INSERT,THREAD	7		
32	32		1216269-01	TERM,SPADE .145STUD SOLDER	5		
33	33		1216314-00	HEAT SINKS, 2.750X2.44	1		
34	34		1216314-01	HEAT SINKS, 2.750X1.32	2		
35	35		1309679-00	16.90 6.0 W 1.0 * WW	2		R48,R68
36	36		1300195-00	33.0 .50 W 5.0 * CF	1		R26
37	37		1300229-00	100.0 .25 W 5.0 * CF	4		R16,R6,R8,R54
38	38		1300250-00	*** THIS ITEM IS NOT USED ***	-		
39	39		1300257-00	150.0 2.0 W 5.0 * CC	1		R28
40	40		1300271-00	220.0 .25 W 5.0 * CF	1		R17
41	41		1300292-00	300.0 1.0 W 5.0 * CC	1		R27
42	42		1300309-00	390.0 .25 W 5.0 * CF	2		R19,R41
43	43		1300316-00	470.0 .25 W 5.0 * CF	1		R3
44	44		1300364-00	1.0 K .50 W 5.0 * CF	2		R4,R1
45	45		1300365-00	1.0 K .25 W 5.0 * CF	7		R30,R11,R35,R18,R33,R40,R47
46	46		1300394-00	1.50 K .50 W 5.0 * CF	1		R36
47	47		1300439-00	3.30 K .25 W 5.0 * CF	2		R58,R14
48	48		1300444-00	3.90 K .25 W 5.0 * CF	1		R65
49	49		1300447-00	4.70 K .25 W 5.0 * CF	1		R38
50	50		1300479-00	10.0 K .25 W 5.0 * CF	1		R24
51	51		1301401-00	750.0 .25 W 5.0 * CF	1		R52
52	52		1301522-00	27.0 .25 W 5.0 * CF	1		R15
53	53		1303169-00	500.0 5.0 W 5.0 * WW	2		R60,R61
54	54		1301972-00	270.0 .25 W 5.0 * CF	1		R7
55	55		1302873-00	261.0 .25 W 1.0 * RN55D-F10	1		R44
56	56		1302377-00	*** THIS ITEM IS NOT USED ***	-		
57	57		1302383-00	360.0 .50 W 5.0 * CF	1		R21
58	58		1302391-00	20.0 K .25 W 5.0 * CF	2		R56,R45
59	59		1304839-00	51.0 K .25 W 5.0 * CF	1		R64
60	60		1303114-00	*** THIS ITEM IS NOT USED ***	-		
61	61		1303313-00	12.10 K .25 W 1.0 * RN55D-F10	2		R37,R9
62	62		1305127-00	4.0 K .25 W 1.0 * RN55D-F10	2		R43,R2
63	63		1305129-00	8.0 K .25 W 1.0 * RN55D-F10	2		R42,R5
64	64		1305145-00	2.80 K .25 W 1.0 * RN55D-F10	1		R20
65	65		1305322-00	*** THIS ITEM IS NOT USED ***	-		
66	66		1305380-00	270.0 2.0 W 5.0 * CC	1		R50
67	67		1305421-00	35.70 K .25 W 1.0 * RN55D-F10	1		R10
68	68		1314350-00	1.0 2.0 W10.0 * FUSE	3		R32,R49,R67
69	69		1309413-00	3.83 K .25 W 1.0 * RN55D-F10	1		R34
70	70		1314172-00	270.0 14.0 W 5.0 * WW	1		R29
71	71		1300426-00	2.70 K .25 W 5.0 * CF	1		R23
72	72		1312565-00	13.30 K .25 W 1.0 * RN55D-F10	1		R25
73	73		1312923-00	*** THIS ITEM IS NOT USED ***	-		
74	74		1312930-00	5.10 K .25 W 5.0 * CF	1		R57
75	75		1312932-00	36.0 K .25 W 5.0 * CF	1		R55
76	76		1313151-00	3.60 K .25 W 5.0 * CF	1		R66
77	77		1313581-00	110.0 .25 W 1.0 * RN55D-F10	1		R63

D	I	G	I	T	A	L	TITLE	SECTION A OF A	SIZE	CODE	DOCUMENT NUMBER	REV
							MEMORY INVERTER		K	PL	5413603-0-DBP	J

LINE	ITEM	DOCUMENT NUMBER	PART NUMBER	DESCRIPTION	QTY PER VARIATION	REFERENCE DESIGNATOR
					00	
78	78		1300389-00	*** THIS ITEM IS NOT USED ***	-	
79	79		1302381-00	200.0 .50 W 5.0 % CF	1	R31
80	80		1300368-00	1.0 K 1.0 W 5.0 % CC	1	R51
81	81		1300391-00	1.50 K .25 W 5.0 % CF	2	R39,R22
82	82		1302395-00	56.0 K .25 W 5.0 % CF	1	R46
83	83		1510705-00	XA 05 NPN 500MW SI 60 50 P	4	Q7,Q8,Q11,Q16
84	84		1510706-00	XA 55 PNP 500MW SI 60 50 P	3	Q1,Q3,Q9
85	85		1510959-00	2N 3725 NPN 3.5WC SI 50 60 P	1	Q4
86	86		1513489-00	2N 4401 NPN 350MW SI 40 20	3	Q2,Q12,Q13
87	87		1514195-00	2N 6547 NPN 400V SI 15A	2	Q14,Q15
88	88		1514271-01	D 44Q5 NPN 31W SI225 30	1	Q5
89	89		1509524-00	2N 3904 NPN 310MW SI 40 40 M	1	Q10
90	90		1614202-00	XFMR,CURRENT	1	T2
91	91		1614204-00	PULSE XFMR 20312 BASE DRIVE	1	T1
92	92		1910298-00	741 OP AMP GEN PURP. COM	1	E2
93	93		1912108-00	339 VOLT CMPRTR,QUAD	1	E3
94	94		1914250-00	3524 MODULATOR-REGULATING	1	E1
95	95		7422046-00	HEAT SINK,SINGLE	1	
96	96		9006025-01	SCREW,MACH PAN PHIL 6-	4	
97	97		9006656-00	WASHER,FLAT STEEL	9	
98	98		9007801-00	WASHER,HELICAL SPLIT SST	9	
99	99		9007836-00	EYELET,ROLLED 0.1210DX0.093	6	
100	100		9010128-00	SCREW,TAP PAN PHIL THD RL 4-	1	
101	101		7016051-00	TRANSFORMER ASSY	1	T3
102	102		7016052-00	CHOKE ASSY	1	L1
103	103		1303177-00	2.40 K .25 W 5.0 % CF	1	R13
104	104		1302860-00	11.50 K .25 W 1.0 % RN55D-F10	1	R12
105	105		1304854-00	5.11 K .25 W 1.0 % RN55D-F10	1	R59
106	106		1300411-00	2.0 K .25 W 1.0 % RN55D-F10	1	R62
107	107		7421435-00	MTG BRKT	1	
108	108		9009052-00	*** THIS ITEM IS NOT USED ***	-	
109	109		7422045-00	CAPACITOR STRAP	2	
110	110		9009708-00	SCREW,TAP PAN PHIL THD RL 6-	7	
111	111		9009617-00	TIE,CABLE BUNDL.DIA 0-3"TYPE=101	2	
112	112		9007035-00	GROMMET,CATERPILLAR POLYAMIDE	A/R	
113	113		9006071-01	SCREW,MACH PAN PHIL 10-	2	
114	114		9007906-00	WASHER,HELICAL SPLIT STEEL	2	
115	115		9009243-00	*** THIS ITEM IS NOT USED ***	-	
116	116		9007793-01	SCREW,MACH PAN PHIL 6-	1	
117	117		9009769-00	WASHER,RECTNGLR STEEL	1	
118	118		9006011-01	SCREW,MACH PAN PHIL 4-	1	
119	119		9006688-00	WASHER,HELICAL SPLIT SST	1	
120	120		9006556-00	NUT,HEX 4-40X .264AF SS/N	1	
121	121		9008268-00	COMPOUND, THERMAL JOINT	A/R	
122	122		9007201-00	PAD,MOUNTING,COMPONENT	1	
123	123		9105740-55	WIRE(WRAP) 30AWG KYNAR UL14	A/R	
124	124		9007036-00	GROMMET,CATERPILLAR POLYAMIDE	A/R	
125	125		1314516-00	200.0 K .25 W 5.0 % CF	1	R53

D	I	G	I	T	A	L	TITLE	SECTION A	OF A	SIZE	CODE	DOCUMENT NUMBER	REV
							MEMORY INVERTER			K	PL	5413603-0-DBP	J



DATED BY PRTLST.2E(3)

PARTS LIST

SHEET A4 OF A4

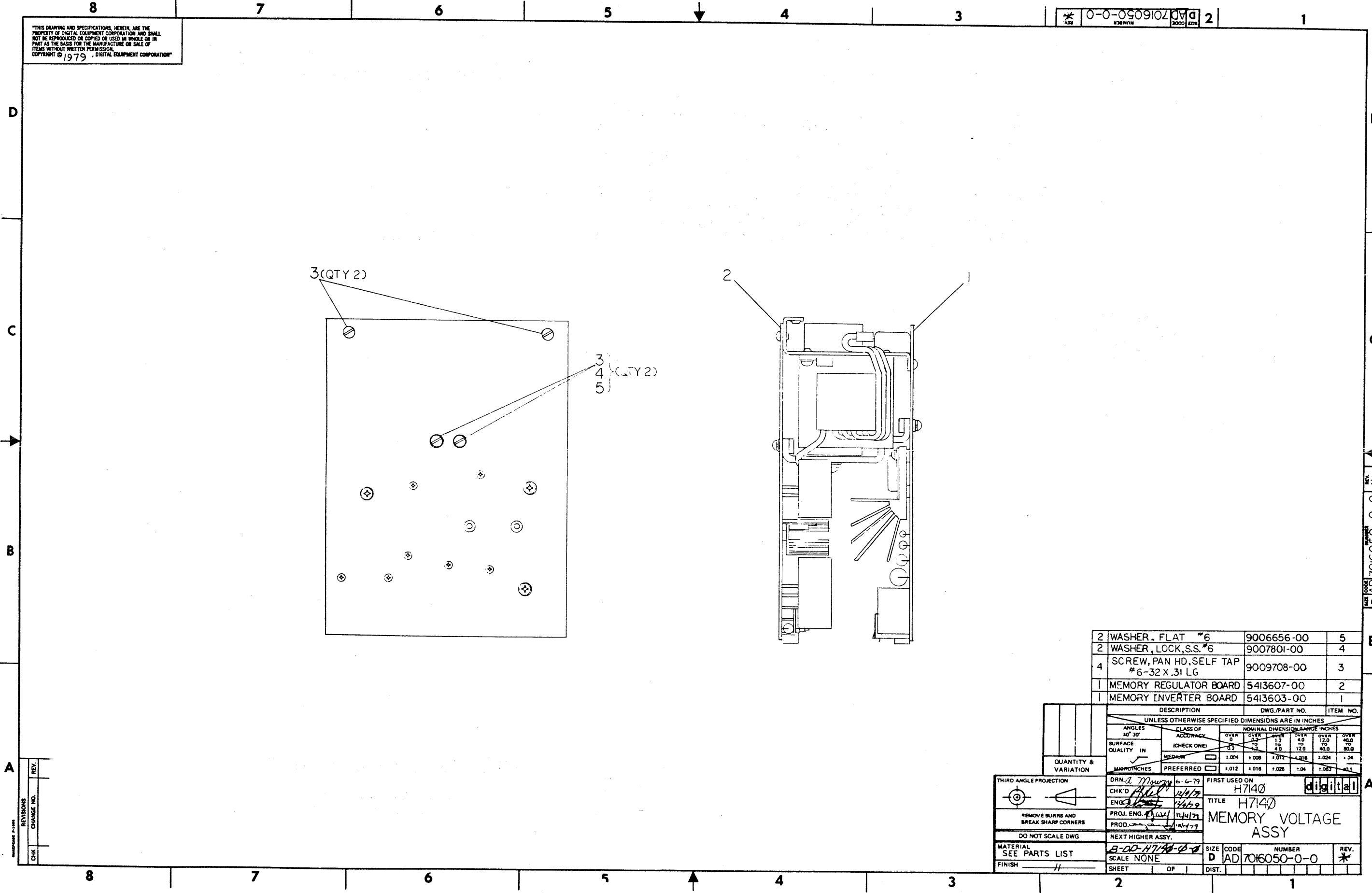
ITEM	DOCUMENT NUMBER	PART NUMBER	DESCRIPTION	QTY PER VARIATION 00	REFERENCE DESIGNATOR
126		9009157-00	ADH, LIQ. RM. TEMP CURING COLORLESS	A/R	
127		9107256-11	TUBING, TEFLON .027ID	A/R	
128		7016920-00	JUMPER ASSY	1	
129		9107560-01	WIRE, BUSS 22AWG TIN BARE	A/R	
130		9006565-00	NUT, HEX EXT TOOTH LCKWSHR 10-32	1	
131		5413882-00	SNV SNUBBER	1	
132		9007853-01	SCREW, MACH PAN PHIL 6-	2	
133		9006803-00	SPACER, CLEAR HOLE HEX ALUM 6	2	
134		9009708-01	SCREW, TAP PAN PHIL THD RL 6-	1	
135		1622663-01	BEAD, FERRITE .2000DX.250LG	4	L2, L3, L4, L5

NOTE: ITEM #123; .52' IS USED.  
 NOTE: ITEM #124; .08' IS USED.  
 NOTE: ITEM #127; .56' IS USED.  
 NOTE: ITEM #129; .37' IS USED.

I	G	I	T	A	L	TITLE	SECTION A OF A	SIZE	CODE	DOCUMENT NUMBER	REV
HH	14					MEMORY INVERTER		K	PL	5413603-0-DBP	J

THIS DRAWING AND SPECIFICATIONS, HEREIN, ARE THE PROPERTY OF DIGITAL EQUIPMENT CORPORATION AND SHALL NOT BE REPRODUCED OR COPIED OR USED IN WHOLE OR IN PART AS THE BASIS FOR THE MANUFACTURE OR SALE OF ITEMS WITHOUT WRITTEN PERMISSION.  
 COPYRIGHT © 1979, DIGITAL EQUIPMENT CORPORATION

DWG. NO. AD 7016050-0-0



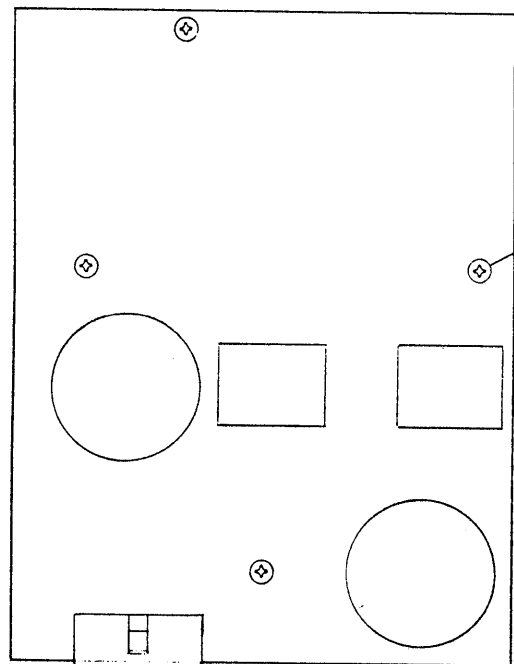
2	WASHER, FLAT #6	9006656-00	5
2	WASHER, LOCK, S.S. #6	9007801-00	4
4	SCREW, PAN HD. SELF TAP #6-32 X .31 LG	9009708-00	3
1	MEMORY REGULATOR BOARD	5413607-00	2
1	MEMORY INVERTER BOARD	5413603-00	1

CLASS OF ACCURACY	NOMINAL DIMENSION RANGE INCHES					
	OVER 0 TO .25	OVER .25 TO .40	OVER .40 TO .63	OVER .63 TO 1.0	OVER 1.0 TO 2.0	OVER 2.0 TO 40.0
ANGLES 20°-30°	±.004	±.008	±.012	±.018	±.024	±.03
SURFACE QUALITY IN	12	12	12	12	12	12
QUANTITY & VARIATION	±.012	±.018	±.025	±.04	±.063	±.1

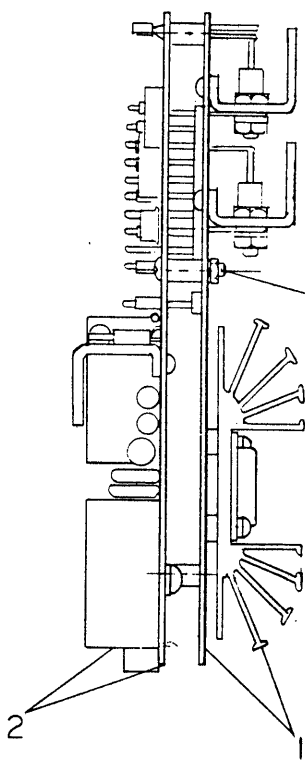
THIRD ANGLE PROJECTION	DRN. <i>Mowry</i> 6-6-79	FIRST USED ON	H7140
REMOVE BURRS AND BREAK SHARP CORNERS	CHK'D <i>Blair</i> 12/1/79	TITLE	H7140
DO NOT SCALE DWG	PROJ. ENG. <i>Blair</i> 12/1/79	NUMBER	AD 7016050-0-0
MATERIAL SEE PARTS LIST	PROD. <i>Blair</i> 12/1/79	SCALE	NONE
FINISH <i>H</i>	NEXT HIGHER ASSY.	SHEET	OF 1

REV.	CHANGE NO.

THIS DRAWING AND SPECIFICATIONS, HEREIN, ARE THE PROPERTY OF DIGITAL EQUIPMENT CORPORATION AND SHALL NOT BE REPRODUCED OR COPIED OR USED IN WHOLE OR IN PART AS THE BASIS FOR THE MANUFACTURE OR SALE OF ITEMS WITHOUT WRITTEN PERMISSION. DIGITAL EQUIPMENT CORPORATION © 1979



QTY 4



REF

QTY	DESCRIPTION	DWG. PART NO.	ITEM NO.
4	NUT, HEX #6-32X.25 A.F.	9008957-00	6
4	WASHER, LOCK, S.S. #6	9007801-00	5
4	SCR, PHIL PAN HD #6-32X.69LG	9007794-01	4
4	SPACER, HEX ALUM #6-32 X.38LG	9006844-00	3
1	LOGIC INVERTER CONT BD	5413601-00	2
1	LOGIC INVERTER BD	5413599-00	1

DESCRIPTION		DWG. PART NO.	ITEM NO.
UNLESS OTHERWISE SPECIFIED DIMENSIONS ARE IN INCHES			
ANGLES NOT 30°	CLASS OF ACCURACY	NOMINAL DIMENSION RANGE INCHES	
SURFACE QUALITY IN	CHECK ONE	OVER 0 TO 0.25	OVER 0.25 TO 0.50
		OVER 0.50 TO 1.00	OVER 1.00 TO 4.00
QUANTITY & VARIATION	MEDIUM	±.004	±.008
THIRD ANGLE PROJECTION	PREFERRED	±.012	±.016
REMOVE BURRS AND BREAK SHARP CORNERS		±.028	±.04
DO NOT SCALE DWG		±.04	±.08
MATERIAL SEE PARTS LIST		±.08	±.1
FINISH			

DRN. *A. Mayry* 6-5-79 FIRST USED ON H7140

CHK'D *[Signature]* 12-9-79

ENG. *[Signature]* 12/9/79

PROJ. ENG. *[Signature]* 12/9/79

PROD. *[Signature]* 12/9/79

TITLE H7140 +5V INVERTER ASSY

SIZE CODE D NUMBER DIST. AD 7016057-0-0

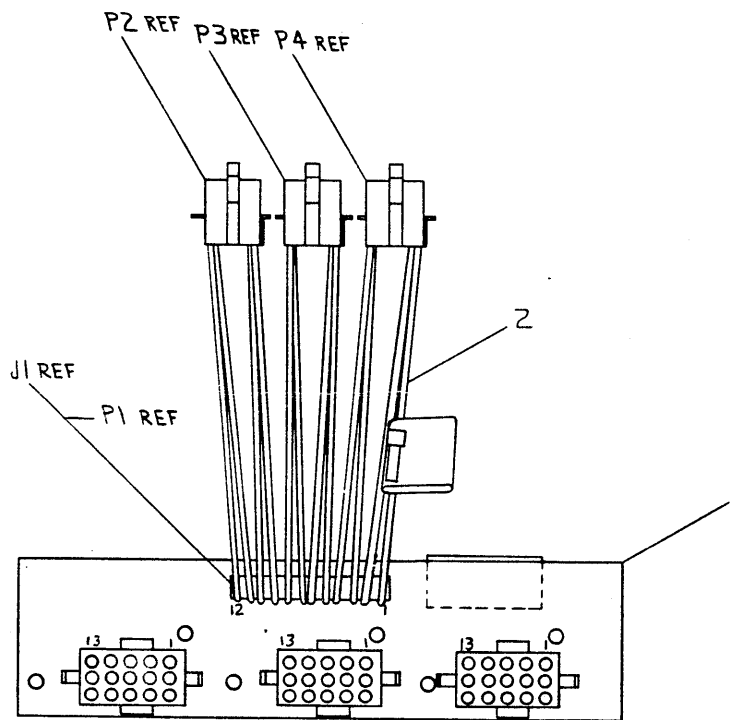
SCALE NONE SHEET 1 OF 1

REV.	CHANGE NO.	REVISIONS

D AD 7016057-0-0

THE DRAWING AND SPECIFICATIONS HEREIN ARE THE PROPERTY OF DIGITAL EQUIPMENT CORPORATION AND SHALL NOT BE REPRODUCED OR COPIED IN WHOLE OR IN PART AS THE BASIS FOR THE MANUFACTURE OR SALE OF ITEMS WITHOUT WRITTEN PERMISSION. COPYRIGHT © 1977, DIGITAL EQUIPMENT CORPORATION

0-0-888910Z DVA 2



1	CABLE JUMPER ASSY	D-1A-7016887-00	2				
1	POWER DIST. BOARD	D-UA-5413632-0-0	1				
DESCRIPTION		DWG./PART NO.	ITEM NO.				
UNLESS OTHERWISE SPECIFIED DIMENSIONS ARE IN INCHES							
ANGLES OF 30°	CLASS OF ACCURACY	NOMINAL DIMENSION RANGE INCHES					
SURFACE QUALITY IN	(CHECK ONE)	OVER 0	OVER 0.2	OVER 1.2	OVER 4.8	OVER 12.0	OVER 48.0
		TO 0.2	TO 1.2	TO 4.8	TO 12.0	TO 48.0	TO 48.0
MICRONCHES	PREFERRED	0.004	0.008	0.012	0.016	0.024	0.048
		0.012	0.016	0.024	0.048	0.096	0.192
QUANTITY & VARIATION	MEDIUM	FIRST USED ON		BRII-A			Digital
THIRD ANGLE PROJECTION	DRN. <i>[Signature]</i> 12 MAR 77	TITLE		POWER DISTRIBUTION BOARD ASSY			
REMOVES BURS AND BREAK SHARP CORNERS	CHK'D. <i>[Signature]</i> 9 MAY 77	PROJ. ENGR. <i>[Signature]</i> 9 MAY 77		PRODL. <i>[Signature]</i> 21 JUN 77			
DO NOT SCALE DWG	NEXT HIGHER ASSY.		MATERIAL		E-UA-BRII-A-0		SIZE CODE
FINISH	SCALE 1:1		SHEET 1 OF 1		DIST. D AD 7016888-0-0		REV. *

REV.	
CHANGE NO.	
CHK	

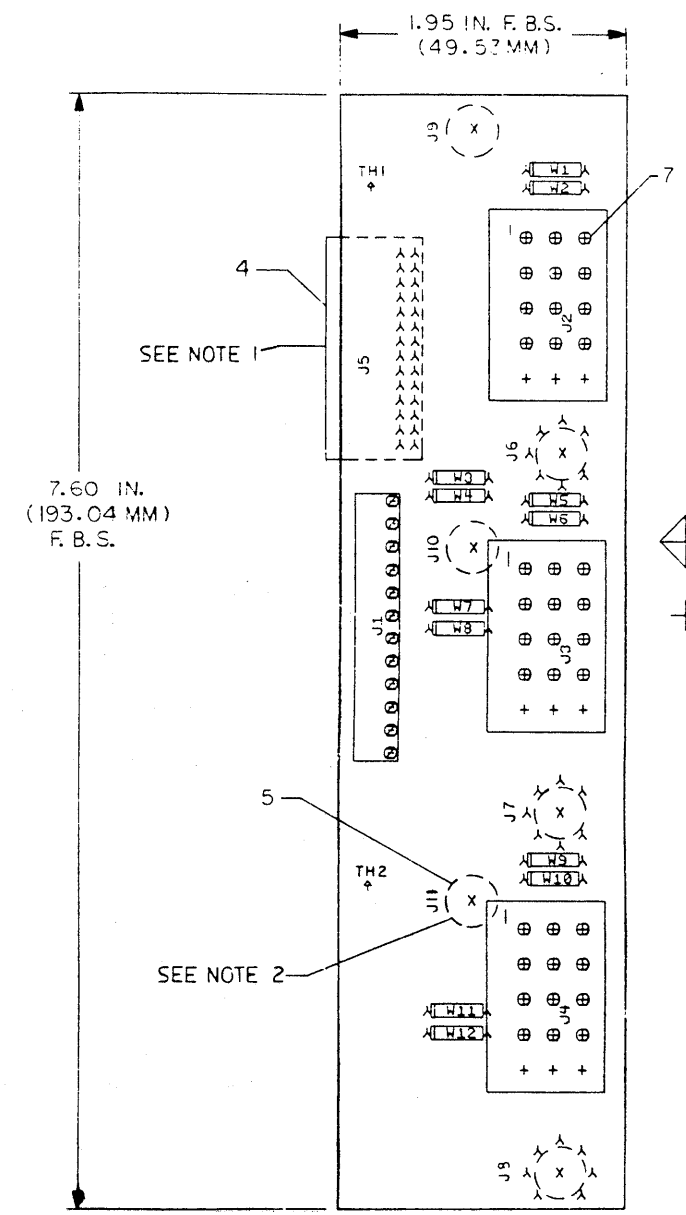
D AD 7016888-0-0

A

TW 1

THIS DRAWING AND SPECIFICATIONS, HEREIN, ARE THE PROPERTY OF DIGITAL EQUIPMENT CORPORATION AND SHALL NOT BE REPRODUCED OR COPIED IN WHOLE OR IN PART OR THE WHOLE FOR THE UNDERTAKING OR USE OF OTHERS WITHOUT WRITTEN PERMISSION.  
 COPYRIGHT © 1973 DIGITAL EQUIPMENT CORPORATION

COMPONENT SIDE VIEW



SEE NOTE 1

7.60 IN.  
(193.04 MM)  
F.B.S.

SEE NOTE 2

NOTES:  
 1. ITEM 4 (J5) MOUNT ON SIDE 2.  
 2. ITEM 5 MOUNT ON SIDE 2.  
 ITEM 5 MUST BE SOLDERED IN PLACE ON SIDE 2.

STEP 4	↑ Y AXIS 0.000 STEP 0 TIMES
REPEAT	→ X AXIS 2.075 STEP 4 TIMES

CHANGE NO	REV	
1	D	
2		
3		
4		
5		
6		
7		
8		

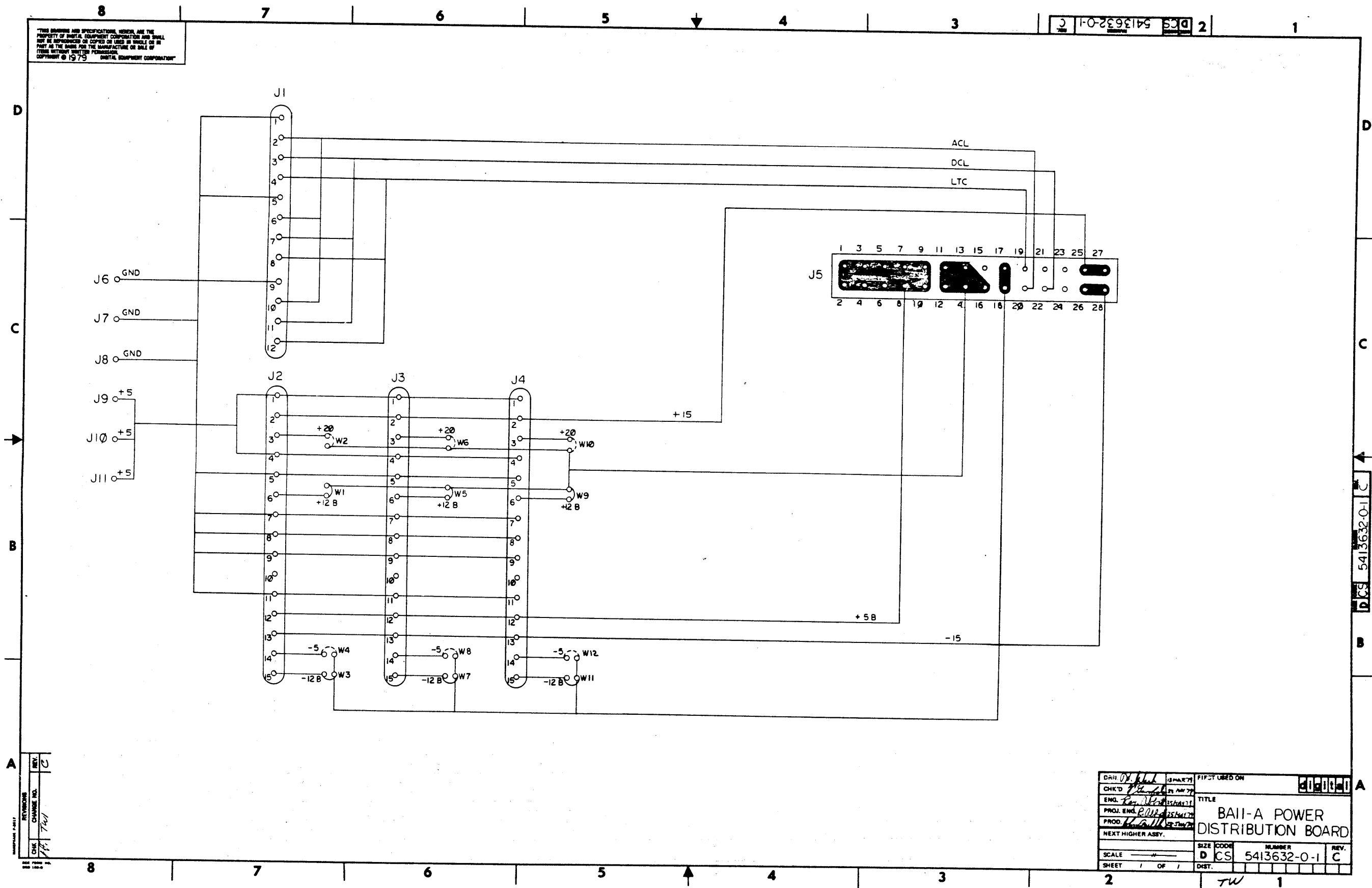
ETCH REV.	0-21
-----------	------

SIGNATURES	DATE	digital
DRN. P. <i>P. Gerry</i>	10-4-72	
CHK'D. E. T. GERRY	2-13-73	
TECH. ENG.		
PROJ. ENG.		TITLE BAI A POWER DISTRIBUTION
PROD.		
SCALE 2/1		SIZE CODE NUMBER REV
SHT. 1 OF 1		D UA 5413632-00 D
TEXT HIGHER ASSY. B-DD-5413632-0		

1 MS#170017DP-1

THIS DRAWING AND SPECIFICATIONS HEREIN ARE THE PROPERTY OF DIGITAL EQUIPMENT CORPORATION AND SHALL NOT BE REPRODUCED OR COPIED OR USED IN WHOLE OR IN PART AS THE BASIS FOR THE MANUFACTURE OR SALE OF THIS EQUIPMENT WITHOUT THE WRITTEN PERMISSION OF DIGITAL EQUIPMENT CORPORATION  
COPYRIGHT © 1973

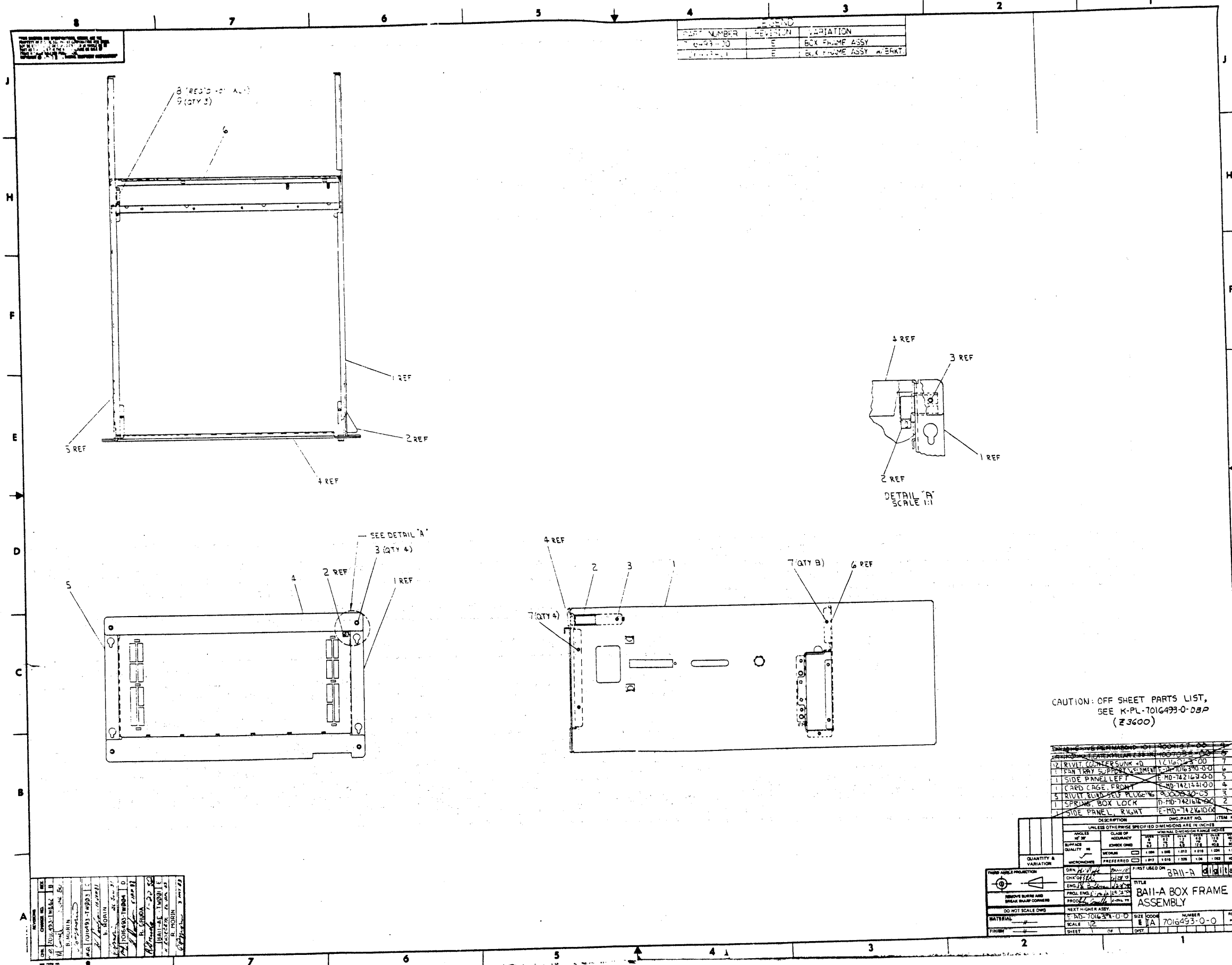
DIGITAL 5413632-0-1 C 2



REV.	2
CHG.	
CHANGE NO.	
BY	
DATE	

DRAWN BY: <i>[Signature]</i>	DATE: 12 MAR 73	FIRST USED ON: <i>[Signature]</i>
CHK'D BY: <i>[Signature]</i>	DATE: 21 MAR 73	TITLE: BAI-A POWER DISTRIBUTION BOARD
ENGR. BY: <i>[Signature]</i>	DATE: 25 MAR 73	SIZE CODE: D CS
PROJ. ENGR. BY: <i>[Signature]</i>	DATE: 25 MAR 73	NUMBER: 5413632-0-1
PROD. BY: <i>[Signature]</i>	DATE: 25 MAR 73	REV. C
NEXT HIGHER ASSY.	SCALE: 1 OF 1	SHEET: 1
	DIST.:	TW

REF. NUMBER	REVISION	VARIATION
1	E	BOX FRAME ASSY
2	E	BOX FRAME ASSY w/ BRKT



CAUTION: OFF SHEET PARTS LIST,  
SEE K-PL-7016493-0-DBP  
(Z3600)

REV	DATE	BY	CHKD	APP'D	DESCRIPTION
1					
2					
3					
4					
5					
6					
7					
8					

QTY	DESCRIPTION	QTY	DESCRIPTION	QTY	DESCRIPTION
12	RIVET COUNTERSUNK	12	RIVET COUNTERSUNK	12	RIVET COUNTERSUNK
1	FRONT TRAY SUPPORT	1	FRONT TRAY SUPPORT	1	FRONT TRAY SUPPORT
1	SIDE PANEL LEFT	1	SIDE PANEL LEFT	1	SIDE PANEL LEFT
1	CARD CAGE FRONT	1	CARD CAGE FRONT	1	CARD CAGE FRONT
5	RIVET ROUND HEAD	5	RIVET ROUND HEAD	5	RIVET ROUND HEAD
1	SPRING BOX LOCK	1	SPRING BOX LOCK	1	SPRING BOX LOCK
1	SIDE PANEL RIGHT	1	SIDE PANEL RIGHT	1	SIDE PANEL RIGHT

UNLESS OTHERWISE SPECIFIED DIMENSIONS ARE IN INCHES	UNLESS OTHERWISE SPECIFIED DIMENSIONS ARE IN MILLIMETERS
ANGLE	ANGLE
CLASS OF SURFACE	CLASS OF SURFACE
FINISH	FINISH
QUALITY	QUALITY
QUANTITY & VARIATION	QUANTITY & VARIATION

DATE	BY	CHKD	APP'D	TITLE
				BAIL-A BOX FRAME ASSEMBLY
				7016493-0-0

AUTOMATED BY PRTLST.3P(44)

PARTS LIST

SHEET A1 OF A1

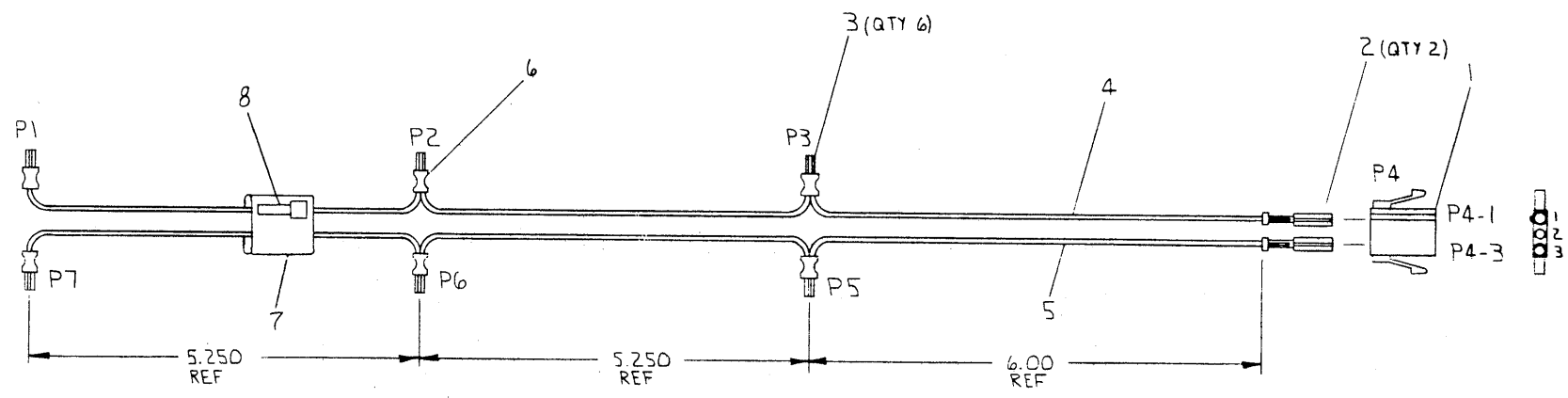
LINE	ITEM	DOCUMENT NUMBER	PART NUMBER	DESCRIPTION	QUANTITY PER VARIATION
1		E-MD-7421610-0-0	7421610-00	SIDE PANEL LEFT	1
		D-MD-7421616-0-0	7421616-00	BOX SPRING LOCK	1
			9000030-05	RIVET, BLIND, SELF-PLUGGING	5
		E-MD-7421441-0-0	7421441-00	CARD CAGE FRONT	1
		E-MD-7421631-0-0	7421631-00	SIDE PANEL LEFT	1
		E-IA-7016390-0-0	7016390-00	FANTRAY SUPPORT WELDMENT	1
			1216063-00	RIVET, BLIND,	12

REVISION HISTORY		BASIC PART NO: 7016493		DRN: H. DARAKJIAN	DATE: 5-JAN-82	D I G I T A L	
ENG	ECO NUMBER	REV	SECTION A OF A	CHK'D: T. MCCULLOUGH	DATE: 5-JAN-82	TITLE PARTS LIST	
	INITIAL	D	SECTION. VARIATION INDEX			BA11-A BOX FRAME ASSEMBLY	
			(A) 00	DES. ENG.: R. BOUDREAU	DATE: 29-JUN-79	DOCUMENT NUMBER	
			(B)	RESP. ENG.: R. GRUDA	DATE: 29-JUN-79	SIZE	CODE
			(C)	MFG. ENG.: J. COMELLA	DATE: 6-JUL-79	K	PL
			(D)	ASSEMBLY NUMBER:	TOP DOCUMENT NUMBER:	7016493-0-DBP	REV
			(E)	E-IA-7016493-0-0	E-AD-7016391-0-0	FILE NAME:	EDIT #
			(F)			23600D.PLS	3
<p>"THIS DRAWING AND SPECIFICATIONS HEREIN, ARE THE PROPERTY OF DIGITAL EQUIPMENT CORPORATION AND SHALL NOT BE REPRODUCED OR COPIED OR USED IN WHOLE OR IN PART AS THE BASIS FOR THE MANUFACTURE OR SALE OF ITEMS WITHOUT WRITTEN PERMISSION. COPYRIGHT (C) 1982. DIGITAL EQUIPMENT CORPORATION"</p>							



THIS DRAWING AND SPECIFICATIONS, HEREIN ARE THE PROPERTY OF AERIAL EQUIPMENT CORPORATION AND SHALL NOT BE REPRODUCED OR COPIED IN WHOLE OR IN PART FOR THE PURPOSE OF THE MANUFACTURE OR SALE OF ITEMS WITHOUT WRITTEN PERMISSION.  
COPYRIGHT © 1978 AERIAL EQUIPMENT CORPORATION

WIRE TABLE									
ITEM NO	DESCRIPTION			FROM		TO		TERM	PRECUT LENGTH
	AWG	COLOR	POINT	CONNECTION	POINT	CONNECTION			
5	18	RED	P1		3	P2		3	6 IN ±.12
5	18	RED	P2		3	P3		3	6 IN
5	18	RED	P3		3	P4	P4-1	2	7 IN
4	18	WHITE	P7		3	P6		3	6 IN
4	18	WHITE	P6		3	P5		3	6 IN
4	18	WHITE	P5		3	P4	P4-3	2	7 IN ±.12



CAUTION: SEE OFF SHEET PARTS LIST K-PL-7016392-0-DBR (Z3324A.PLS)

DESCRIPTION	DWG. PART NO.	ITEM NO.
TIE, CABLE SSTI-M	9007031-00	8
LABEL, CABLE I.D.	9009532-00	7
SHRINK TUBING .188 DIA	9107254-09	6
WIRE #18 AWG RED	9107360-22	5
WIRE #18 AWG WHITE	9107360-99	4
TERMINAL .1885 FASTON	9007447-00	3
PIN 18 AWG MATE'N LOC	1209379-00	2
CONN 3 PIN MATE'N LOC	1209350-03	1

REV.	DESCRIPTION
1	CHANGE NO. 1
2	CHANGE NO. 2
3	CHANGE NO. 3
4	CHANGE NO. 4
5	CHANGE NO. 5
6	CHANGE NO. 6
7	CHANGE NO. 7
8	CHANGE NO. 8

THIRD ANGLE PROJECTION	DRN. <i>[Signature]</i>	FIRST USED ON
REMOVE BURRS AND BREAK SHARP CORNERS	CHK'D <i>[Signature]</i>	BRII-A <i>[Signature]</i>
DO NOT SCALE DWG	ENG. <i>[Signature]</i>	TITLE
MATERIAL SEE PARTS LIST	PROL. ENG. <i>[Signature]</i>	FAN ASSEMBLY. CABLE
FINISH	DO NOT SCALE DWG	SIZE D
	SCALE 1:1	CODE IA
	SHEET 1 OF 1	NUMBER 7016392-0-0
		REV. A

PL-7016392-0-0

REV. 8

REV. A

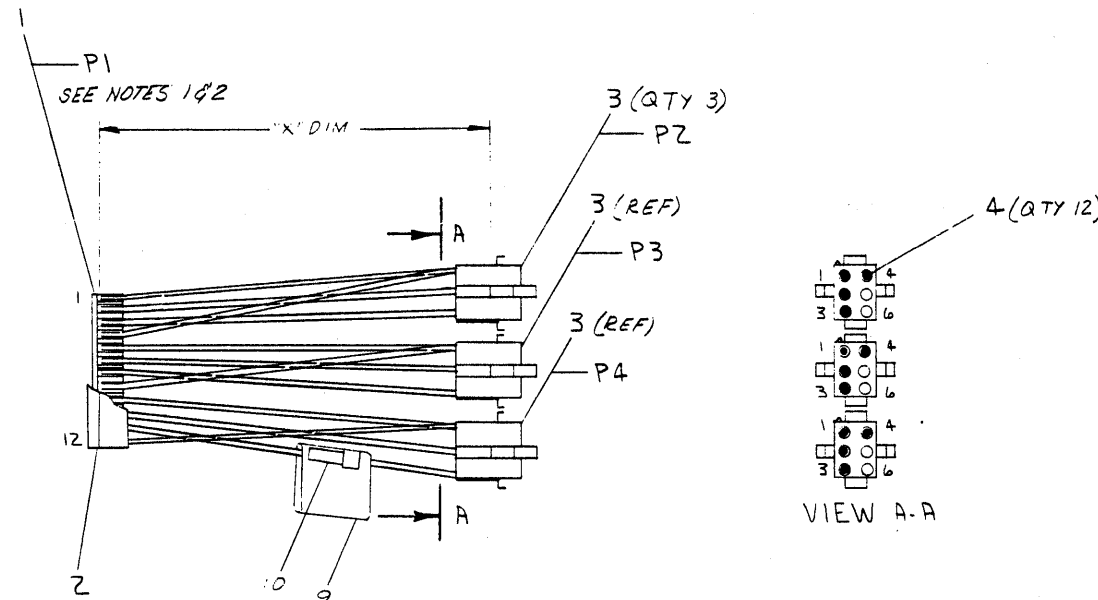
TW 1

THIS DRAWING AND SPECIFICATIONS HEREAFTER ARE THE PROPERTY OF DIGITAL EQUIPMENT CORPORATION AND SHALL NOT BE REPRODUCED OR COPIED OR USED IN WHOLE OR IN PART AS THE BASIS FOR THE MANUFACTURE OR SALE OF ITEMS WITHOUT WRITTEN PERMISSION.  
COPYRIGHT © 1970, DIGITAL EQUIPMENT CORPORATION

WIRE TABLE						
ITEM NO	DESCRIPTION	FROM	TO	NOTES		
NO	AWG	COLOR	CONN TERM	CONN TERM		
5	18	BLK	P1-1	P2-1	4	
6		YEL	P1-2	P2-4		
7		VIO	P1-3	P2-3		
8		BRN	P1-4	P2-2		
5		BLK	P1-5	P3-1		
6		YEL	P1-6	P3-4		
7		VIO	P1-7	P3-3		
8		BRN	P1-8	P3-2		
5		BLK	P1-9	P4-1		
6		YEL	P1-10	P4-4		
7		VIO	P1-11	P4-3		
8	18	BRN	P1-12	P4-2	4	

LEGEND	
NUMBER	"X" DIM
7016887-DE	5.0 ± .5 IN

- NOTES
1. WIRES TERMINATING TO P1 MUST NOT BE STRIPPED.
  2. PLACE COVER, ITEM #2, OVER CONN HOUSING, ITEM #1, AFTER WIRES HAVE BEEN TERMINATED.
  3. STRIP WIRES ONLY ON P2, P3 & P4 ENDS .187 BEFORE CRIMPING CONTACTS.
  4. ITEM #4 CAN BE SUBSTITUTED BY PIN 12-09379-00 FOR MACHINE CRIMPING.



DESCRIPTION	DWG/PART NO.	ITEM NO.
1 TIE, CABLE SST.-M	9007031-00	10
1 LABEL, CABLE IDENTIFICATION	9009532-00	9
15' WIRE, 18 AWG, BRN	UL1430 9107786-11	3
15' WIRE, 18 AWG, VIO	UL1430 9107786-77	7
15' WIRE, 18 AWG, YEL	UL1430 9107786-47	6
5' WIRE, 18 AWG, BLK	UL1430 9107786-00	5
12 SKT, MATE-N-LOC, 20-14 AWG	1209379-D1	4
3 CONN, 6 PIN MATE N LOC	1209350-06	3
1 COVER, 12 PIN MTA CONN	1216650-00	2
1 CONN HOUSING, 12 PIN MTA	1216651-00	1

UNLESS OTHERWISE SPECIFIED DIMENSIONS ARE IN INCHES	
ANGLES	CLASS OF ACCURACY
10° 30'	(CHECK ONE)
SURFACE QUALITY	FINISH
IN	MEDIUM
MICROINCHES	PREFERRED
QUANTITY & VARIATION	
THIRD ANGLE PROJECTION	FIRST USED ON
REMOVE BURRS AND BREAK SHARP CORNERS	BALL-A digital
DO NOT SCALE DWG	TITLE
	CABLE JUMPER ASSEMBLY
MATERIAL	SCALE
FINISH	SHEET

REV.	CHANGE NO.	BY	DATE
1	7016887-TWOOL	A	
2			
3			
4			
5			
6			
7			
8			

SEC FORM NO. 100-100-2

DRAWING NO. 7016887-0-0-A

REV. A

REV. A

TW 1

8

D AD 7017466-0-0

6

5

4

3

2

1

THIS DRAWING AND SPECIFICATIONS HEREIN ARE THE PROPERTY OF DIGITAL EQUIPMENT CORPORATION AND SHALL NOT BE REPRODUCED, COPIED, OR TRANSMITTED IN ANY FORM OR BY ANY MEANS, ELECTRONIC OR MECHANICAL, INCLUDING PHOTOCOPYING, RECORDING, OR BY ANY INFORMATION STORAGE AND RETRIEVAL SYSTEM, WITHOUT THE WRITTEN PERMISSION OF DIGITAL EQUIPMENT CORPORATION.

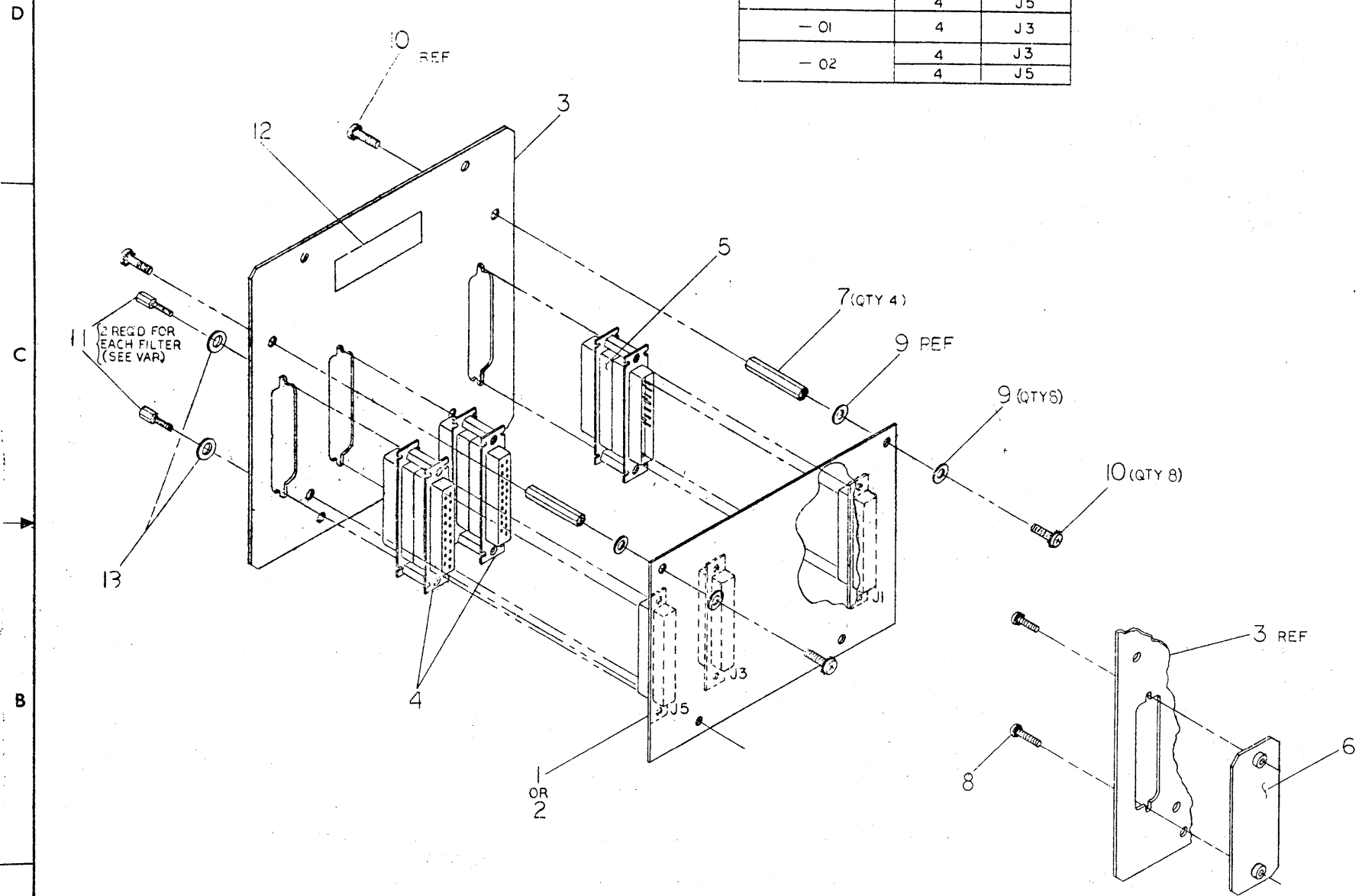
INTERCONNECT LIST  
SEE NOTE 1

VARIATION	USE ITEM NO.	CONNECT TO
- 00	5	J1
	4	J3
	4	J5
- 01	4	J3
	4	J5
- 02	4	J3
	4	J5

LEGEND

NUMBER	VARIATION
7017466-00	WITH REMOTE DIAGNOSTIC
7017466-01	WITH ONE SERIAL LINE
7017466-02	WITH TWO SERIAL LINES

NOTES:  
1. IN THOSE POSITIONS (J1 OR J3) WHICH HAVE NO FILTER, (ITEM 4 OR 5) INSTALL COVER PLATE (ITEM 6) TO BRKT, MTG (ITEM 3) SEE DETAIL 'A'.  
2. IDENT. LABEL REQ'D AFTER ASSY DEMONTING P/N, VAR. AND REV. (ITEM 12)



DETAIL 'A'  
SCALE: 1/1

CAUTION OFF SHEET PARTS LIST EXISTS ON  
K-PL-7017466-0-DBP

REVISION HISTORY

DATE	ECO NUMBER	REV	BY	APP'D
7/22/77	7017466-1W001	A	R. GRUDA	
10/1/77	7017466-1W002	B	R. GRUDA	
11/24/80	7017466-1W003	C	R. GRUDA	

DESCRIPTION	DRAWING NO.	PART NO.	ITEM NO.
UNLESS OTHERWISE SPECIFIED DIMENSIONS ARE IN INCHES AND THE FOLLOWING TOLERANCES APPLY (PER DEC STD 114)			
DIMENSION RANGE IN INCHES	OVER 0	OVER 0.2	OVER 0.5
	TO 1.0	TO 1.0	TO 1.0
APPLICABLE DIMENSION RANGE (CHECK ONE)	<input type="checkbox"/> ± 0.004	<input type="checkbox"/> ± 0.008	<input type="checkbox"/> ± 0.012
ANGLES ± 0° 30'	<input type="checkbox"/> ± 0.004	<input type="checkbox"/> ± 0.008	<input type="checkbox"/> ± 0.012
SURFACE QUALITY	<input type="checkbox"/> ± 0.004	<input type="checkbox"/> ± 0.008	<input type="checkbox"/> ± 0.012
QUANTITY & VARIATION	<input type="checkbox"/> ± 0.004	<input type="checkbox"/> ± 0.008	<input type="checkbox"/> ± 0.012
THIRD ANGLE PROJECTION	DATE 25/Jan/80	TITLE SLU digital	A
DO NOT SCALE DRAWING	DATE 5-1-80	CONNECTOR ASSY	
REMOVE BURRS AND BREAK SHARP CORNERS	DATE 5-1-80		
MATERIAL SEE PARTS LIST	DATE 5-5-80	DOCUMENT NUMBER	
FINISH NONE	DATE 5-5-80	SIZE CODE D	NUMBER AD 7017466-0-0
	E-UA-11/24-0-0	SCALE 1/1	SHEET 1 OF 1

8

7

6

5

4

3

2

1

REV B  
NUMBER D AD 7017466-0-0

TW

AUTOMATED BY PRTLST.3N(42)

FO1  
P A R T S L I S T

SHEET A1 OF A1

LINE	ITEM	DOCUMENT NUMBER	PART NUMBER	DESCRIPTION	QUANTITY PER VARIATION		
					00	01	02
1	1	E-UA-5414218-0-0	5414218-00	SLV INTERFACE	1	0	0
2	2	E-UA-5414218-0-0	5414218-01	EIA SERIAL LINE INTERFACE	0	1	1
3	3	D-MD-7424022-0-0	7424022-00	BRKT, MTG SLU	1	1	1
4	4	A-PS-1217431-0-0	1217431-02	CONN,D SUB 10POS ASSY STRAIGHT W	2	1	2
5	5	A-PS-1217431-0-0	1217431-00	CONN,D SUB 25POS ASSY STRAIGHT W	1	0	0
6	6	B-IA-7424023-0-0	7424023-00	CONNECTOR, COVER SLU	0	2	1
7	7		9006862-00	SPACER, THREADED HEX ALUM 6-3	4	4	4
8	8		9009546-00	SCREW, SEMS PAN PHIL 4-	0	4	2
9	9		9006707-00	WASHER, FLAT NYLON	8	8	8
10	10		9010174-00	SCREW, SEMS PAN PHIL 6-	8	8	8
11	11		9008451-01	SCREW LOCK STANDOFF ONLY	6	2	4
12	12		9009255-00	LABEL, POWER SUPPLY, 2-15/16 " L	1	1	1
13	13		9008172-00	WASHER, FLAT SST	6	2	4

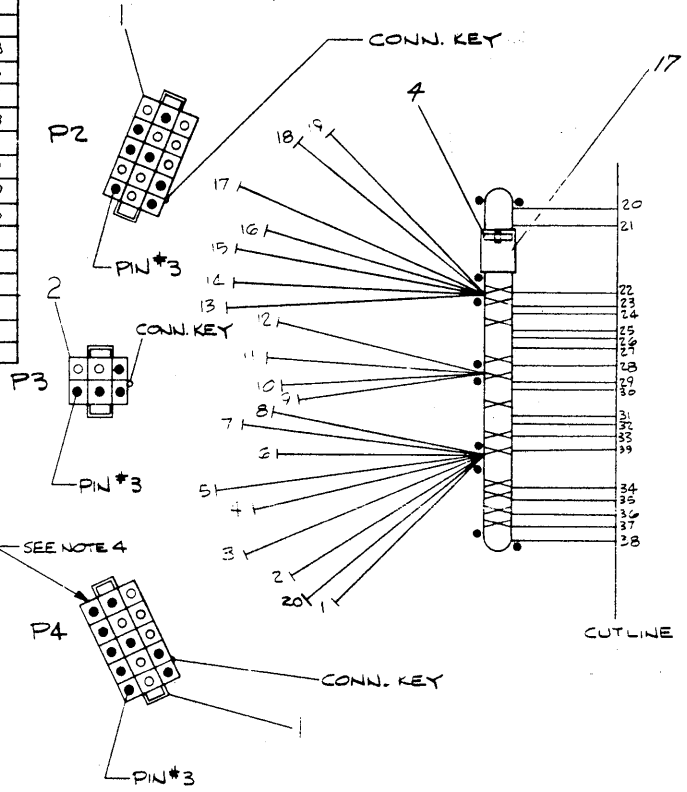
REVISION HISTORY		BASIC PART NO: 7017466		DRN: A. COLON		DATE: 29-APR-80		D I G I T A L	
ENG!	ECO NUMBER	REV	SECTION A OF A	CHK'D: R.J. RILEY		DATE: 29-APR-80		TITLE PARTS LIST	
---	INITIAL	X0-2	SECTION. VARIATION INDEX					SLU ASSEMBLY	
---	INITIAL	*	[A] 00,01,02	DES.ENG.: P. BARTH		DATE: 29-APR-80			
R G!	7017466-TW001	A	[B]	RESP.ENG.: D. CARLSON		DATE: 29-APR-80		DOCUMENT NUMBER	
RG	7017466-TW002	B	[C]	MFG.ENG.: G. ABREU		DATE: 29-APR-80		SIZE: CODE: NUMBER REV	
			[D]	ASSEMBLY NUMBER:		TOP DOCUMENT NUMBER:		FILE NAME: EDIT #	
			[E]	D-AD-7017466-0-0		D-AD-7017466-0-0		21175B.PLS 11	
			[F]	<p style="text-align: center;">"THIS DRAWING AND SPECIFICATIONS HEREIN, ARE THE PROPERTY OF DIGITAL EQUIPMENT CORPORATION AND SHALL NOT BE REPRODUCED OR COPIED OR USED IN WHOLE OR IN PART AS THE BASIS FOR THE MANUFACTURE OR SALE OF ITEMS WITHOUT WRITTEN PERMISSION. COPYRIGHT (C) 1982. DIGITAL EQUIPMENT CORPORATION"</p>					

"THIS DRAWING AND SPECIFICATIONS HEREIN ARE THE PROPERTY OF DIGITAL EQUIPMENT CORPORATION AND SHALL NOT BE REPRODUCED OR COPIED OR USED IN WHOLE OR IN PART AS THE BASIS FOR THE MANUFACTURE OR SALE OF ITEMS WITHOUT WRITTEN PERMISSION. COPYRIGHT © 1980 - DIGITAL EQUIPMENT CORPORATION"

- NOTES:
1. USE TIE WRAPS (X) ITEM #4 AT BREAKOUT POINTS SHOWN
  2. DOT (•) INDICATES NAIL LOCATION FOR ASS'Y USE ONLY. COVER NAILS WITH SHRINK TUBING TO PREVENT CUTTING HARNESS.
  3. WIRE LENGTH TOL. WILL BE +1/8" - 0 IN.
  4. ALL CONN. SHOWN FROM WIRING SIDE.
  5. HARNESS TO BE IDENTIFIED WITH PART U2 AND REV. LEVEL AFTER FAB. (ITEM 17)
  6. ITEM #3 CAN BE SUBSTITUTED BY P/N 12-09378-00 FOR MACHINE GRIPPING.

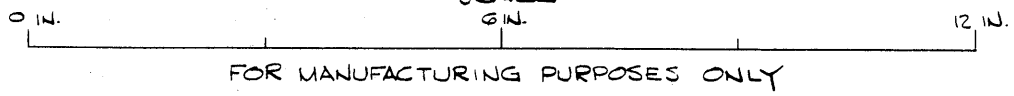
WIRING TABLE

ITEM NR.	DESCRIPTION	FROM			TO			SIGNAL	LENGTH
		AWG	COLOR	POINT CONNECTION	WITH	POINT CONNECTION	CONNECTION		
7	#18	BLUE	1	P4-14	3	20	SOLDER	-15A	7.00
5	14	RED	2	P4-4		32		+5V	4.88
5	14	RED	3	P4-1		31		+5V	4.88
6	14	BLK	4	P4-8		25		GND	5.63
6	14	BLK	6	P4-9		26		GND	5.63
13	18	WHT	7	P4-6		27		+15B	5.63
14	18	GRN	8	P4-15		28		-15B	5.38
12	18	YEL	9	P3-4		37		AC	6.38
6	14	BLK	10	P3-1		22		GND	5.75
10	18	P2N	11	P3-2		36		LTC	5.88
11	18	VIO	12	P3-3		38		DC	6.38
5	14	RED	13	P2-4		29		+5V	5.50
5	14	RED	14	P2-1		30		+5V	5.50
9	18	BLUE	15	P2-14		35		-15C	5.38
6	14	BLK	16	P2-8		23		GND	4.75
8	18	GRAY	17	P2-3		21		+15A	5.38
7	14	GRAY	18	P4-3		34		+15C	5.00
6	14	BLK	18	P2-9		24		GND	4.75
16	14	RED/WHT	19	P2-12	3	33	SOLDER	+5B	6.88
16	14	RED/WHT	20	P4-12	3	39	SOLDER	+5B	6.88



CAUTION: OFF SHEET PARTS LIST EXISTS. SEE K-PL-7016961-0-DBP.

DO NOT REDUCE SCALE



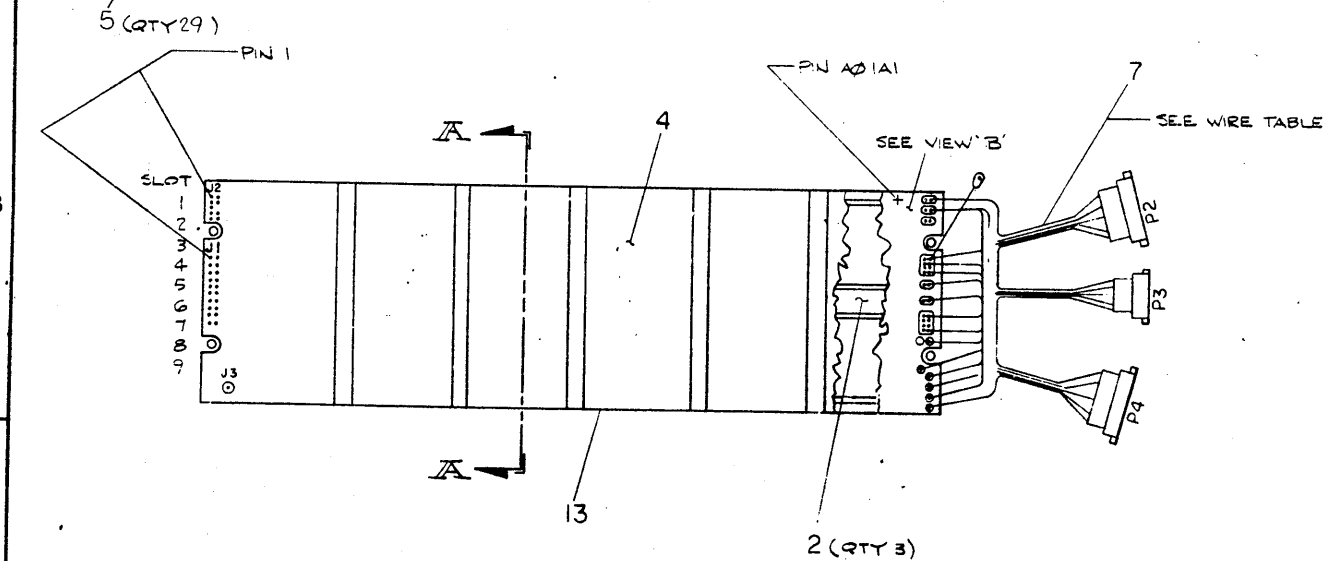
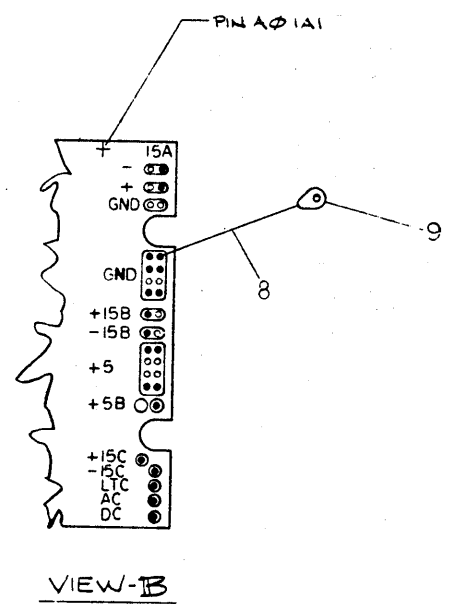
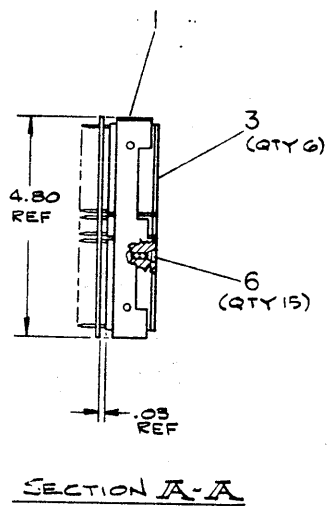
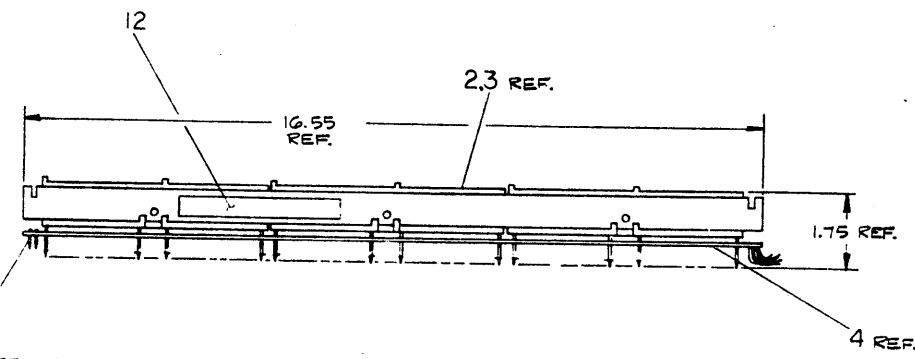
REV.	DATE	BY	CHK'D
1	11/24	B. MORIN	
2	11/24	R. GRUDA	

QUANTITY & VARIATION	DESCRIPTION	DWG./PART NO.	ITEM NO.
THIRD ANGLE PROJECTION	UNLESS OTHERWISE SPECIFIED DIMENSIONS ARE IN INCHES		
REMOVE BURRS AND BREAK SHARP CORNERS	CLASS OF ACCURACY	NOMINAL DIMENSION RANGE INCHES	
DO NOT SCALE DWG	MEDIUM	0 TO 0.25	0.25 TO 1.0
MATERIAL SEE PARTS LIST	PREFERRED	1.0 TO 3.0	3.0 TO 10.0
FINISH		10.0 TO 30.0	30.0 TO 100.0
	DRN. C.V. SHERIDAN 11/24/80	FIRST USED ON	11/24 digital
	CHK'D B. MORIN 11/24/80	TITLE	POWER HARNESS
	ENG. B. MORIN 11/24/80		11/24
	PROJ. ENG. B. MORIN 11/24/80		
	PROD. B. MORIN 11/24/80		
	DRAWING NUMBER	SIZE	CODE
	7016961-0-0	D	IA
	SCALE 1/1	NUMBER	REV.
		7016961-0-0	C
	SHEET 1 OF 1	DIST.	

0-0-G06910Z  
ASB 238704

FROM		TO		FROM		TO	
COLOR	POINT	CONNECTION	SIGNAL	COLOR	POINT	CONNECTION	SIGNAL
BLUE	P4-4	SOLDER	+15A	RED	P2-4	SOLDER	+5V
RED	P4-4		+5V	RED	P2-1		+5V
RED	P4-1		+5V	BLUE	P2-14		-15C
BLK	P4-8		GND	BLK	P2-8		GND
BLK	P4-9		GND	GRAY	P2-3		+15A
WHT	P4-6		+15B	GRAY	P4-3		+15C
GRN	P4-18		-15B	BLK	P2-9		GND
YEL	P3-4		AC	RED/WHT	P2-12	SOLDER	+5B
BLK	P3-1		GND	ITEM#	SOLDER	ITEM#	
BRN	P3-2		LTC	RED/WHT	P1-12	SOLDER	+5B
VIO	P3-3	SOLDER	DC				

NOTES:  
1. PRIOR TO ASSEMBLING ETCH CKT BD (ITEM#4) TO PINS ON BACK PLANE, INSERT PINS DESIGNATED BY ASTERISK (\*) ITEM#3.



CAUTION: OFF SHEET PARTS LIST  
REFER TO K-PL-7016905-0-DBP

REF	AWT REV STATUS	AWT	REV	STATUS	ITEM NO.
REF	WIRE - 5T	---	---	---	15
REF	WIRE - 30	---	---	---	13
REF	WIRE - 14	---	---	---	12
1	LABE - 1.4	---	---	---	12
1	WIRE #30	---	---	---	10
1	TERMINAL SOLDER	---	---	---	4
2	WIRE BLK STD #14	---	---	---	8
1	POWER HARNESS	---	---	---	7
15	SCR FL HD #8-32	---	---	---	6
29	PIN STAKING P.C. BD	---	---	---	5
1	ETCH CIRCUIT BOARD	---	---	---	4
6	BLOCK CONN. 288 PIN	---	---	---	3
3	BLOCK CONN. 72 PIN	---	---	---	2
1	FRAME LOGIC	---	---	---	1

REV	ECO NUMBER	DATE	BY	CHKD	APP'D
1	7016905-1W001	1/24/80	RAY GRUDA		
2	7016905-1W01A	1/24/80	RAY GRUDA		
3	7016905-1W002	1/24/80	RAY GRUDA		
4	7016905-1W002	1/24/80	RAY GRUDA		
5	7016905-1W002	1/24/80	RAY GRUDA		
6	7016905-1W002	1/24/80	RAY GRUDA		
7	7016905-1W002	1/24/80	RAY GRUDA		
8	7016905-1W002	1/24/80	RAY GRUDA		

QUANTITY & VARIATION	DESCRIPTION	DRAWING NO.	PART NO.	ITEM NO.
UNLESS OTHERWISE SPECIFIED DIMENSIONS ARE IN INCHES AND THE FOLLOWING TOLERANCES APPLY (PER DEC STD 114)				
X ± .1 XX ± .02 XXX ± .005	ANGLES ± 30'	SURFACE QUALITY MICRONS	APPLICABLE DIMENSION RANGE	
			DIMENSION RANGE IN INCHES	
			OVER TO	OVER TO
			0.2 TO 1.2	0.2 TO 4.0
			± .004	± .008
			± .012	± .016
			± .024	± .04
THIRD ANGLE PROJECTION	DATE 15 JAN 80	TITLE 1/24 digital		
DO NOT SCALE DRAWING	DATE 5-1-80	BACKPLANE ASS'Y		
REMOVE BURRS AND BREAK SHARP CORNERS	DATE 4-30-80			
MATERIAL SEE PARTS LIST	DATE 4-30-80	DOCUMENT NUMBER		
FINISH	DATE 5-5-80	SCALE NONE		
	DATE 5-5-80	NUMBER		
	DATE 5-5-80	REV		
	DATE 5-5-80	SHEET 1 OF 1		

PARTS LIST

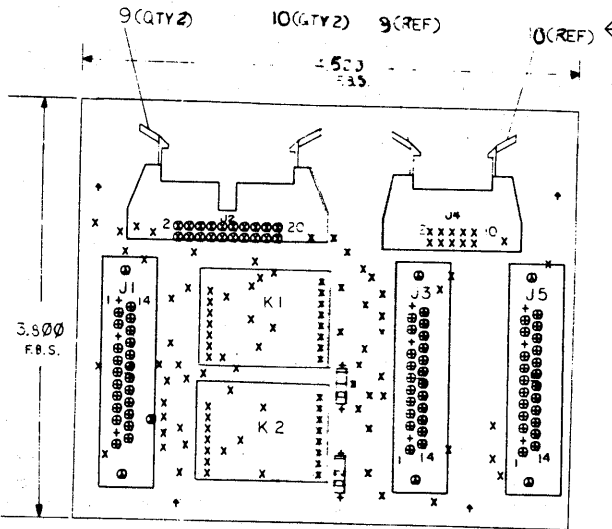
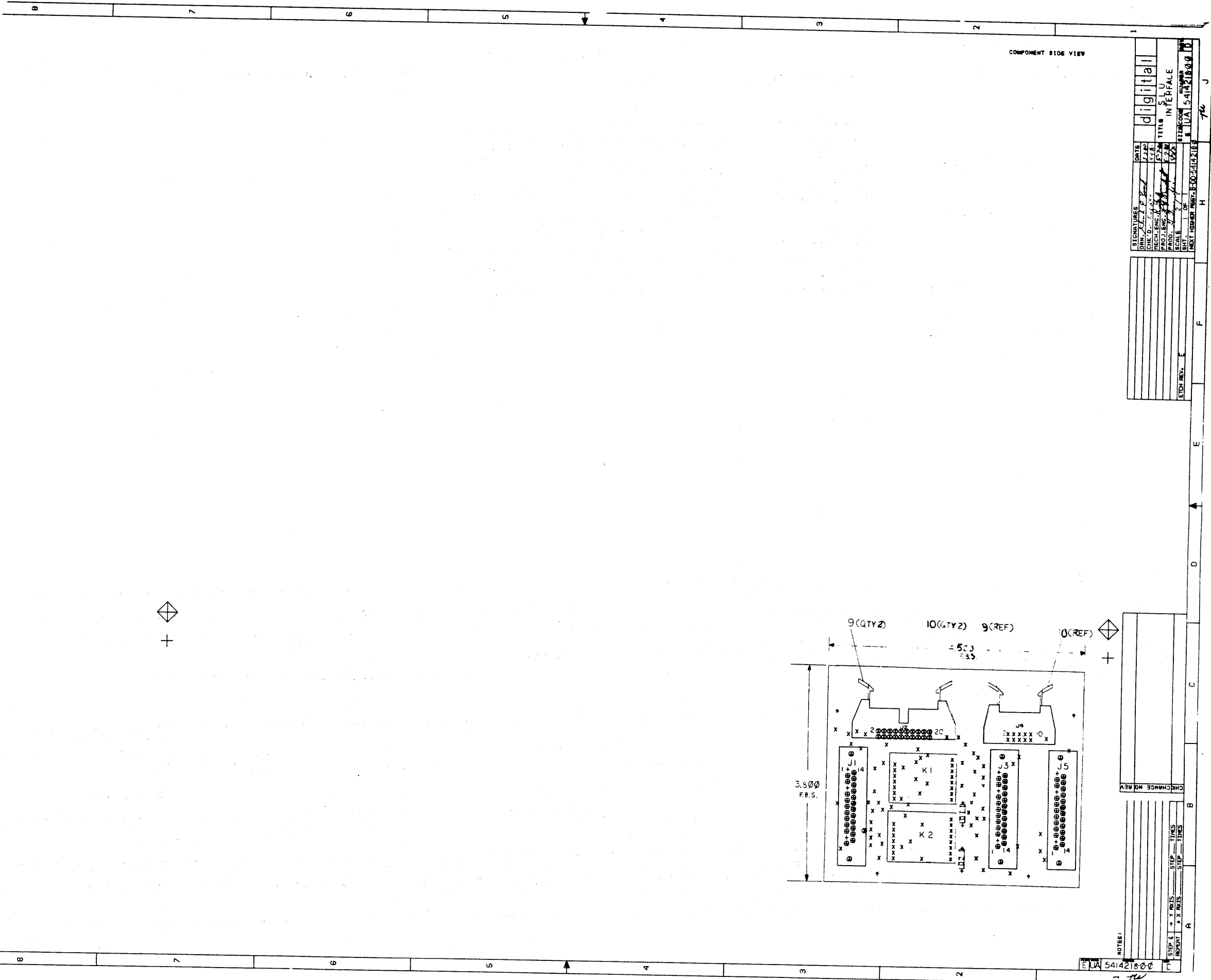
LINE	ITEM	DOCUMENT NUMBER	PART NUMBER	DESCRIPTION	QUANTITY PER VARIATION
1	1		1211439-00	CASTING, LOGIC FRAME FOR 1105	1
2	2		1211425-02	CONN,CARD 72PIN SLOTTED OPEN EN	3
3	3		1210250-01	CONN,CARD 28PIN SLOTTED OPEN EN	6
4	4	D-UA-5013816-0-0	5013816-00	11/24 BACK PLANE	1
5	5		9009149-00	PIN, STAKING, P.C. BOARD, .025 X	29
6	6		9006120-00	SCREW, POZIDRIVE FILLISTER HD SW	15
7	7	D-IA-7016905-0-0	7016905-00	POWER HAPNESS (11/24)	1
8	8	SEE NOTE 1	9107370-00	WIRE,STRND,14AWG,IPVC UL1534	2
9	9		9008150-00	TERM LUG 1POS LOCKING,SOLDER	1
10	10		9107773-87	WIRE(WRAP)30AWG,TWP (UL1558)	A/R
11	11		9105740-44	WIPE(WRAP)30AWG UL1423	A/R
12	12	A-DC-7411801-0-0	7411801-00	DECAL BACKPLANE REV STATUS	1
13	13	BLANK			0
14	14	K-WL-7016905-0-1		WIRE LIST	REF
15	15	A-WT-7016905-0-2		AWT REV STATUS	REF

10 NOTE: NOTE 11 ITEM 8 LENGTH IS IN INCHES

REVISION HISTORY		BASIC PART NO: 7016905	
ENG	ECO NUMBER	REV	SECTION A OF A
---	INITIAL	-	SECTION, VARIATION INDEX
RG	7016905-TW001	A	[A] 00
WB	11/24-TW01A	B	[B]
			[C]
			[D]
			[E]
			[F]
DRN: H. DARAKJIAN		DATE: 28-APR-81	
CHK'D: W. FISHER		DATE: 28-APR-81	
DES.ENG.: R. GRUDA		DATE: 28-APR-81	
RESP.ENG.: R. GRUDA		DATE: 28-APR-81	
MFG.ENG.: J. AVILES		DATE: 28-APR-81	
ASSEMBLY NUMBER: D-AD-7016905-0-0		TOP DOCUMENT NUMBER: E-UA-11/24-0-0	
TITLE: 11/24 BACKPLANE ASSY		DOCUMENT NUMBER	
SIZE	CODE	NUMBER	REV
K	PL	7016905-0-DBP	B
FILE NAME: Z2443.PLS		EDIT # 7	
<p>"THIS DRAWING AND SPECIFICATIONS HEREIN, ARE THE PROPERTY OF DIGITAL EQUIPMENT CORPORATION AND SHALL NOT BE REPRODUCED OR COPIED OR USED IN WHOLE OR IN PART AS THE BASIS FOR THE MANUFACTURE OR SALE OF ITEMS WITHOUT WRITTEN PERMISSION. COPYRIGHT (C) 1981, DIGITAL EQUIPMENT CORPORATION"</p>			

TW

A B C D E F H J



COMPONENT SIDE VIEW

SIGNATURES			DATE
DRN. [Signature]	DATE	DATE	
CHK. D. [Signature]	4/14	4/14	
MECH. ENG. [Signature]	4/14	4/14	
PROD. ENG. [Signature]	4/14	4/14	
SCALE [Signature]	1/2"	1/2"	
ETCH. REV. E			
NEXT REVISION NO. E-103-11218		REV. NO. 10	

digital  
TITLE  
SLU  
INTERFACE  
EUA 5414218 00

ALL DIMENSIONS ARE IN INCHES UNLESS OTHERWISE SPECIFIED.  
1/8" = 1/16" DIA. DIMENSIONS UNLESS OTHERWISE SPECIFIED.  
1/8" = 1/16" DIA. DIMENSIONS UNLESS OTHERWISE SPECIFIED.  
1/8" = 1/16" DIA. DIMENSIONS UNLESS OTHERWISE SPECIFIED.

NOTES:	
1.	
2.	
3.	
4.	
5.	
6.	
7.	
8.	
9.	
10.	
11.	
12.	
13.	
14.	
15.	
16.	
17.	
18.	
19.	
20.	
21.	
22.	
23.	
24.	
25.	
26.	
27.	
28.	
29.	
30.	
31.	
32.	
33.	
34.	
35.	
36.	
37.	
38.	
39.	
40.	
41.	
42.	
43.	
44.	
45.	
46.	
47.	
48.	
49.	
50.	
51.	
52.	
53.	
54.	
55.	
56.	
57.	
58.	
59.	
60.	
61.	
62.	
63.	
64.	
65.	
66.	
67.	
68.	
69.	
70.	
71.	
72.	
73.	
74.	
75.	
76.	
77.	
78.	
79.	
80.	
81.	
82.	
83.	
84.	
85.	
86.	
87.	
88.	
89.	
90.	
91.	
92.	
93.	
94.	
95.	
96.	
97.	
98.	
99.	
100.	

EUA 5414218 00



LINE	ITEM	DOCUMENT NUMBER	PART NUMBER	DESCRIPTION	QTY PER VARIATION	REFERENCE DESIGNATOR
					00 01	
1	1	F-MD-5014217-D-0	5014217-00	FICH BRD	1 1	
2	2		1216796-02	CONN, D SUB 25PIN	1 0	J1
3	3		1209941-12	HEADER 10POS RT ANGLE	1 1	J4
4	4		1209941-00	HEADER, 100 20POS RT ANGLE	1 1	J2
5	5		1210972-00	PLY, REED, 5V COTL, 4PDT, .25A, 15P	2 0	K1, K2
6	6		1105796-00	IN 4004 PIV=400 I= 1A 0041 SP	2 0	D1, D2
7	7		1217536-01	CONN, D SUB 25PIN PC MIG W/PINS	2 2	J3, J5
8	8		9009185-00	JUMPER, WIRE, INSULATED, BLACK B	0 8	W1-W8
9	9		1209941-03	HEADER RT ANGLE LEFT L	2 2	
10	10		1209941-04	HEADER RT ANGLE, RIGHT	2 2	

REVISION HISTORY		BASIC PART NO: 5414216		DRN:	F. SMART	DATE:	3-MAR-80	D I G I T A L			
ENG:	ECO NUMBER	REV	SECTION A OF A	CHK'D:	E. T. GERRY	DATE:	3-MAR-80	TITLE PARTS LIST			
---	INITIAL	D	SECTION VARIATION INDEX					SLU INTERFACE			
			(A) 00, 01					DOCUMENT NUMBER			
			(B)	DES. ENG:	R. ROUDROT	DATE:	7-MAY-80	SIZE:	CODE:	NUMBER	REV
			(C)					K	PL	5414218-0-DBP	D
			(D)	RESP. ENG.:	R. ROUDROT	DATE:	7-MAY-80	FILE NAME:			
			(E)					71263D, PLS			
			(F)	MFG. ENG.:	G. ABPEU	DATE:	7-MAY-80	EDIT #			
			(G)	ASSEMBLY NUMBER:	E-UA-5414218-0-0	TOP DOCUMENT NUMBER:	B-DD-5414218-0-0	18			
			(H)								
			(I)								
			(J)								
			(K)								
			(L)								
			(M)								
			(N)								

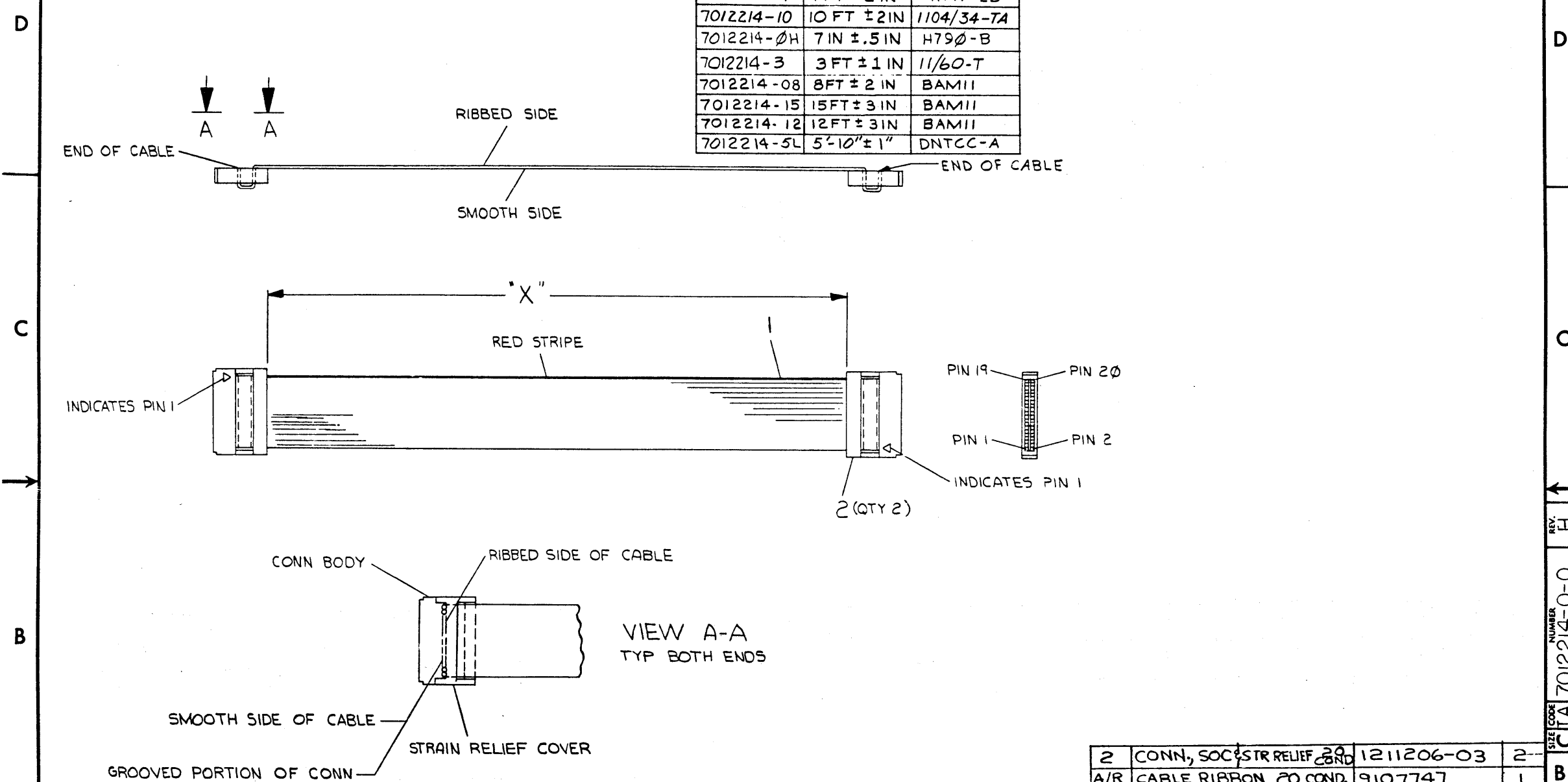
"THIS DRAWING AND SPECIFICATIONS HEREIN, ARE THE PROPERTY OF DIGITAL EQUIPMENT CORPORATION AND SHALL NOT BE REPRODUCED OR COPIED OR USED IN WHOLE OR IN PART AS THE BASIS FOR THE MANUFACTURE OR SALE OF ITEMS WITHOUT WRITTEN PERMISSION. COPYRIGHT (C) 1980, DIGITAL EQUIPMENT CORPORATION"

TLU

"THIS DRAWING AND SPECIFICATIONS, HEREIN, ARE THE PROPERTY OF DIGITAL EQUIPMENT CORPORATION AND SHALL NOT BE REPRODUCED OR COPIED OR USED IN WHOLE OR IN PART AS THE BASIS FOR THE MANUFACTURE OR SALE OF ITEMS WITHOUT WRITTEN PERMISSION. COPYRIGHT © 1975 DIGITAL EQUIPMENT CORPORATION"

LEGEND		
NUMBER	DIM "X" VARIATION	USED ON
7012214-2D	2 FT 4 IN ± 1 IN	KY11-LB
7012214-7	7 FT ± 2 IN	KY11-LB
7012214-10	10 FT ± 2 IN	1104/34-TA
7012214-ØH	7 IN ± .5 IN	H79Ø-B
7012214-3	3 FT ± 1 IN	11/60-T
7012214-08	8 FT ± 2 IN	BAM11
7012214-15	15 FT ± 3 IN	BAM11
7012214-12	12 FT ± 3 IN	BAM11
7012214-5L	5'-10" ± 1"	DNTCC-A

LEGEND		
NUMBER	DIM "X" VARIATION	USED ON
7012214-0D	4.0" ± 0.2"	H71B3



REV.	CHG	NO.	DATE	BY
A		7012214-00001	29 JULY 76	R. PRATT
B		7012214-00002	8 SEP 76	A. CLAWSON
C		7012214-00003	23 SEPT 76	D. BARRY
D		7012214-00004	17 FEB 77	R. PRATT
E		7012214-00005	11/60-T-AC001	M. O. SEMA
F		7012214-00005	4 NOV 77	B. GETTYS
G		7012214-ML006	12 JAN 78	E. ROMERO
H		7012214-ML006	19 JAN 78	R. DIETER
I		7012214-00005	18 JAN 78	R. DIETER
J		7012214-00005	9 JAN 78	D. J. ANDERSON
K		7012214-ML006	31 JAN 78	D. J. ANDERSON
L		7012214-ML006	419.160	D. RYNNE
M		7012214-ML006	1-6-80	D. RYNNE

FIRST USED ON OPTION/MODEL		QTY.	DESCRIPTION	PART NO.	ITEM NO.
KY11-LB		2	CONN, SOC STR RELIEF COND	1211206-03	2
A/R			CABLE, RIBBON 20 COND.	9107747	1

PARTS LIST			
DBN.	DATE	CHK'D	DATE
<i>G. B. Batten</i>	11/24/75	<i>D. D. D. D.</i>	11/25/75
<i>R. B. Batten</i>	12/11/75	<i>R. B. Batten</i>	12/11/75
<i>R. B. Batten</i>	12/11/75	<i>R. B. Batten</i>	12/11/75
<i>R. B. Batten</i>	12/11/75	<i>R. B. Batten</i>	12/11/75

TITLE		digital	
CABLE, CONSOLE TO M7859 (KY11-LB)			
SIZE CODE	NUMBER	REV.	
CIA	7012214-0-0	H	
SHEET	1 OF 1	DIST.	

REV. H  
NUMBER 7012214-0-0  
SIZE CODE CIA





# DIGITAL EQUIPMENT CORPORATION PARTS LIST

MADE BY DATE	A. ROCHA 11 DECEMBER 80	CHECKED DATE	SECTION
ENG DATE	Ray Gruda 12/10	PROD DATE	ISSUED SECTION
		Ray Gruda 12/10	

QUANTITY / VARIATION

NOTES:

ITEM NO.	DRAWING NO.	PART NO.	DESCRIPTION	KDF11-UA	QUANTITY / VARIATION										REF DESIGNATION					
1.		M7133	CPU MODULE	I																
2.	B-PL-KDF11-UA-4		SHIPPING LIST	REF																

E.C.O. NO.

"THIS DRAWING AND SPECIFICATIONS, HEREIN, ARE THE PROPERTY OF DIGITAL EQUIPMENT CORPORATION AND SHALL NOT BE REPRODUCED OR COPIED OR USED IN WHOLE OR IN PART AS THE BASIS FOR THE MANUFACTURE OR SALE OF ITEMS WITHOUT WRITTEN PERMISSION. COPYRIGHT © 1980 DIGITAL EQUIPMENT CORPORATION"

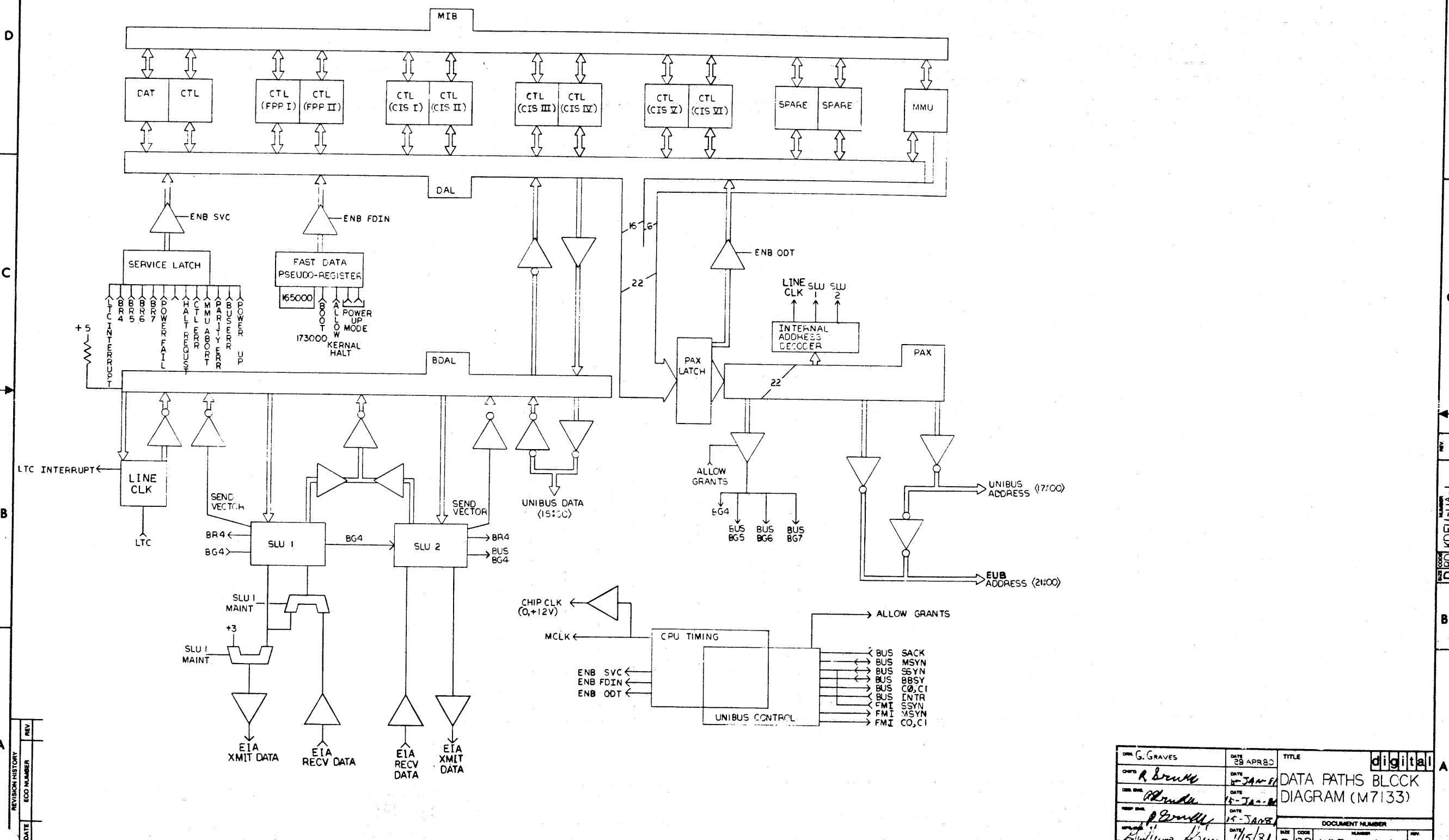
TITLE  
PARTS LIST

ASSY NO.  
SHEET 1 OF 1

SIZE	CODE	NUMBER	REV.
B	PL	KDF11-UA-0	A

INSERTION PARTS LIST DATA BASE REV

TW



REVISION HISTORY

DATE	ECO NUMBER	REV.

DESIGNER: G. GRAVES	DATE: 28 APR 80	TITLE: digital
CHECKED: R. BROWN	DATE: 15 JAN 81	DATA PATHS BLOCK DIAGRAM (M7133)
DESIGNER: R. BROWN	DATE: 15 JAN 81	
CHECKED: R. BROWN	DATE: 15 JAN 81	
DESIGNER: R. BROWN	DATE: 1/15/81	
CHECKED: R. BROWN	DATE: 1/15/81	
DOCUMENT NUMBER: B-DD-KDF11-UA-0		SCALE: NONE
SHEET: 1 OF 1		1 TW

"THE MATERIAL HEREIN IS FOR INFORMATION PURPOSES ONLY AND IS SUBJECT TO CHANGE WITHOUT NOTICE. DIGITAL EQUIPMENT CORPORATION ASSUMES NO RESPONSIBILITY FOR ANY ERRORS WHICH MAY APPEAR HEREIN."

# DRAWING DIRECTORY

"THIS DRAWING AND SPECIFICATIONS, HEREIN, ARE THE PROPERTY OF DIGITAL EQUIPMENT CORPORATION AND SHALL NOT BE REPRODUCED OR COPIED OR USED IN WHOLE OR IN PART AS THE BASIS FOR THE MANUFACTURE OR SALE OF ITEMS WITHOUT WRITTEN PERMISSION. COPYRIGHT © 1981 DIGITAL EQUIPMENT CORPORATION."

REFER TO PRINT SET #MP01028

## UNIT VARIATIONS

VAR	TITLE
KDF11-UA	M7133 CPU MODULE

REVISIONS

REV.	
CHANGE NO.	
CHK	

USED ON OPTION/MODEL

DRN *Shabe*

CHK'D. *P. Brennan*

PROJ. ENG. *P. Brennan*

PROD. *P. Brennan*

DATE

15 DEC 80

1-15-81

1-12-80

1-15-81

TITLE

16 BIT F11  
UNIBUS PROCESSOR (M7133)

**digital**

SIZE CODE NUMBER REV

**B DD** KDF11-UA-0 A

DIST. \_\_\_\_\_





# DIGITAL EQUIPMENT CORPORATION PARTS LIST

QUANTITY / VARIATION

NOTES:

MADE BY DATE	A. ROCHA 11 DECEMBER 80	CHECKED <i>R. Souza</i> DATE <i>1-15-81</i>	SECTION
ENG <i>R. Souza</i> DATE <i>1-15-81</i>	PROD <i>R. Souza</i> DATE <i>1-15-81</i>	ISSUED SECTION	

ITEM NO.	DRAWING NO.	PART NO.	DESCRIPTION	REF
1	D-BD-KDF11-UA-1	KDF11-UA-1	BLOCK DIA KDF11	1
2	D-UA-M7133-0-0	M7133	CPU Module	1
3	K-GL-KDF11-UA-2	KDF11-UA-2	OPTION.TXT	1
4		ZJ013	LIBKIT (CPU 11/24)	REF
5		MP01028	KDF11-UA MAINTENANCE PRINT SET	1

REF DESIGNATION

E.C.O. NO.  
TW001

"THIS DRAWING AND SPECIFICATIONS, HEREIN, ARE THE PROPERTY OF DIGITAL EQUIPMENT CORPORATION AND SHALL NOT BE REPRODUCED OR COPIED OR USED IN WHOLE OR IN PART AS THE BASIS FOR THE MANUFACTURE OR SALE OF ITEMS WITHOUT WRITTEN PERMISSION. COPYRIGHT © 1980 DIGITAL EQUIPMENT CORPORATION"

TITLE  
16 BIT F11 UBUS  
PROC. (M7133) SHIP LIST

ASSY NO.  
B-DD-KDF11-UA-0

SIZE  
**B**

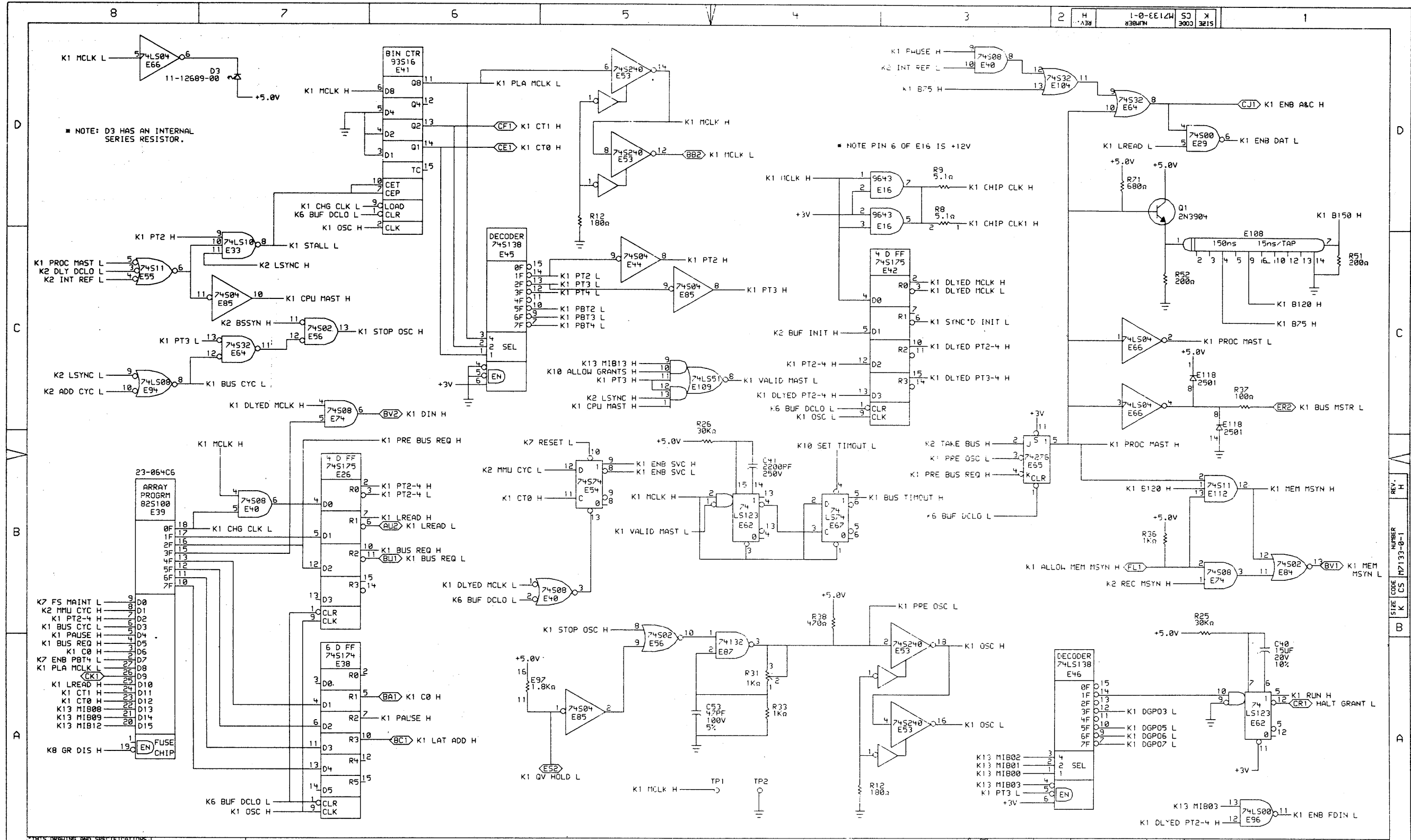
CODE  
**PL**

NUMBER  
KDF11-UA-4

REV.  
**B**

SHEET 1 OF 1

INSERTION PARTS LIST DATA BASE REV

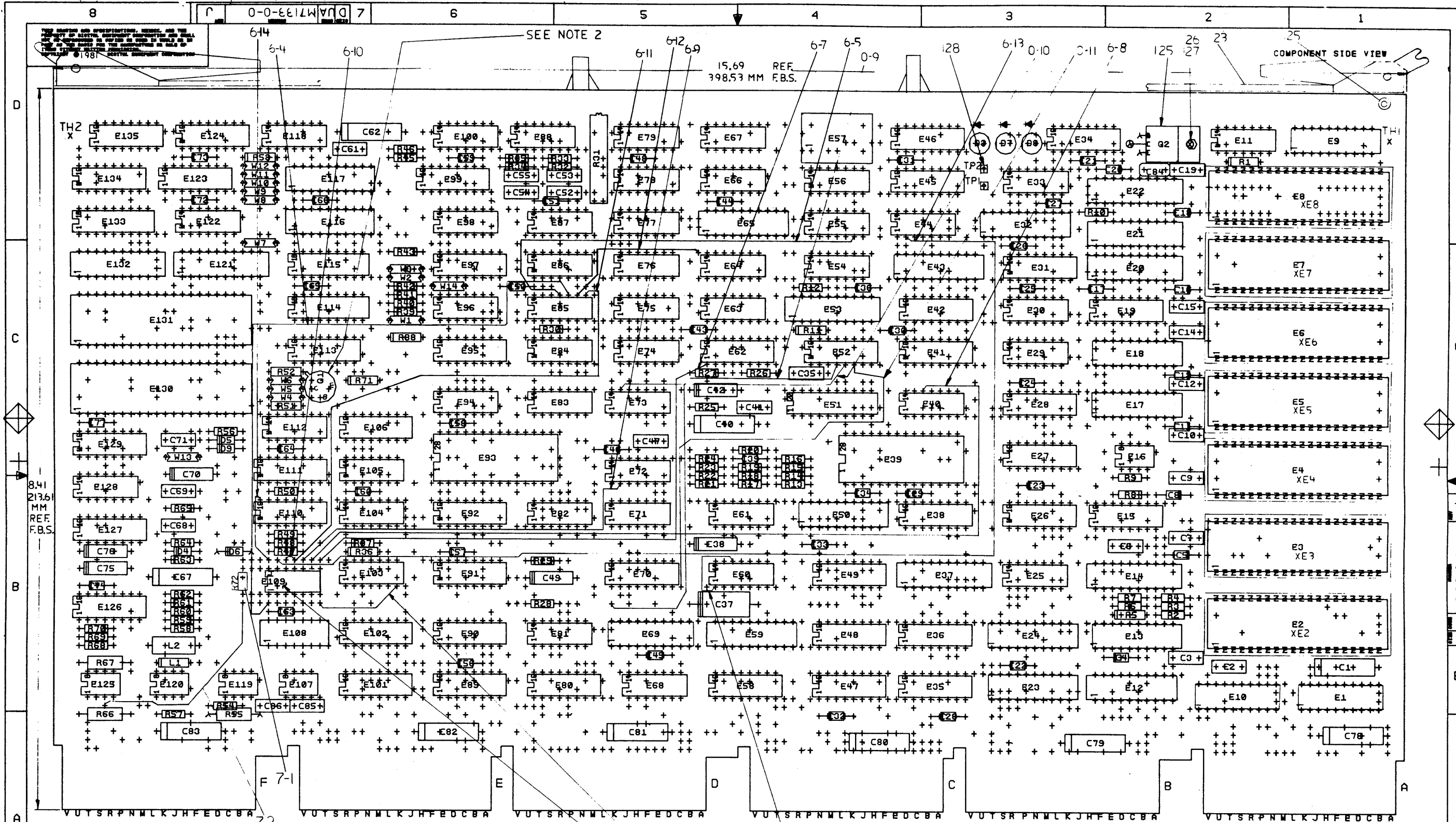


NOTE: D3 HAS AN INTERNAL SERIES RESISTOR.

NOTE PIN 6 OF E16 IS +12V

REVISIONS	
CHK	CHANGE NO. REV
	7133-M1006 H
	2 W
	C. GIROUARD

digital	DATE: 05-21-83	ENG.:	DATE:	TITLE: (K1) CLK STATE DECODE
CHK'D: J. JOHNS	DATE: 05-21-83	BOARD LOCATION:	SHEET: 1 OF 1	SIZE CODE: K CS M7133-0-1
USRAI:HEBERT;13301.DRW 05-OCT-83 09:36	NEXT HIGHER ASSEMBLY:	REV.:	H	
FIRST USED ON OPTION/MODEL: 11/24	KDF11-UA			



NOTES:  
 1. SPARE POSITION: E109.  
 2. WHEN INSERTING Q1, FACE FLAT SIDE TOWARD HANDLE.  
 3. W2, W4-W9, W11, W13 ARE NOT INSTALLED.

STEP 6	↑ Y AXIS	STEP 0	TIMES
REPORT	→ X AXIS	STEP 0	TIMES

CHK	CHANGE	NO	REV	DATE	BY	APP
	M	7133-0-0	F		T. W. L. H.	
					K. CRUDA	
					P. L...	
					B. M7133-0-0	
					C. GIROUARD	
					M7133-0-0	
					C. GIROUARD	
					C. GIROUARD	

ETCH REV.	D-PI
-----------	------

SIGNATURES	DATE
DRN. A. DEMPSKI	8-11-81
CHK. D. E. T. GERRY	8-11-81
MECH. ENG.	1-1-81
PROD. ENG.	

TITLE	11/24
CPU	
SIZE	CODE
NUMBER	REV
UA M7133-0-0	J

THIS DRAWING AND SPECIFICATIONS HEREIN ARE THE PROPERTY OF DIGITAL EQUIPMENT CORPORATION AND SHALL NOT BE REPRODUCED OR COPIED OR USED IN WHOLE OR IN PART AS THE BASIS FOR THE MANUFACTURE OR SALE OF THIS WITHOUT WRITTEN PERMISSION. COPYRIGHT © 1971 DIGITAL EQUIPMENT CORPORATION

0-0-EELZW M7133-0-0

### REWORK INSTRUCTIONS WIRE ADDS SIDE 1

- ~~0-6 FROM E67-2 TO E77-12.~~
- ~~0-7 FROM E67-1 TO E45-10.~~
- ~~0-8 FROM E103-3 TO E84-6.~~
- 0-9 FROM E52-4 TO PTH BELOW E70-1.
- 0-10 FROM E52-5 TO E73-13.
- 0-11 FROM E52-6 TO PTH TO THE RIGHT OF E70-8.  
ECO M7133-ML006 COMPONENT ADD SIDE1
- 6-3 E109(RIGHT AND INNERMOST PTHS.)  
WIRE ADDS SIDE1
- 6-4 FROM E85-10 TO E109-1(AT PTH BELOW E109-1).
- 6-5 FROM E85-11 TO E55-6
- 6-6 FROM E103-7 TO E109-7(AT PTH BELOW E109-7).
- 6-7 FROM E62-1 TO E109-8(AT PTH ABOVE E109-8).
- 6-8 FROM E40-12 TO E109-9(AT PTH ABOVE E109-9).
- 6-9 FROM E72-2 TO E109-10(AT PTH ABOVE E109-10).
- 6-10 FROM E109-11(AT PTH ABOVE E109-11) TO E109-12  
(AT PTH ABOVE E109-12).
- 6-11 FROM E85-8 TO E109-11(AT PTH ABOVE E109-11).
- 6-12 FROM E85-9 TO E64-13(AT PTH ON LEFT OF E64-14).
- 6-13 FROM E44-2 TO E109-13(AT PTH ABOVE E109-13).
- 6-14 FROM E110-16 TO E109-14(AT PTH ABOVE E109-14).
- 6-15 FROM E60-12 TO E60-1.

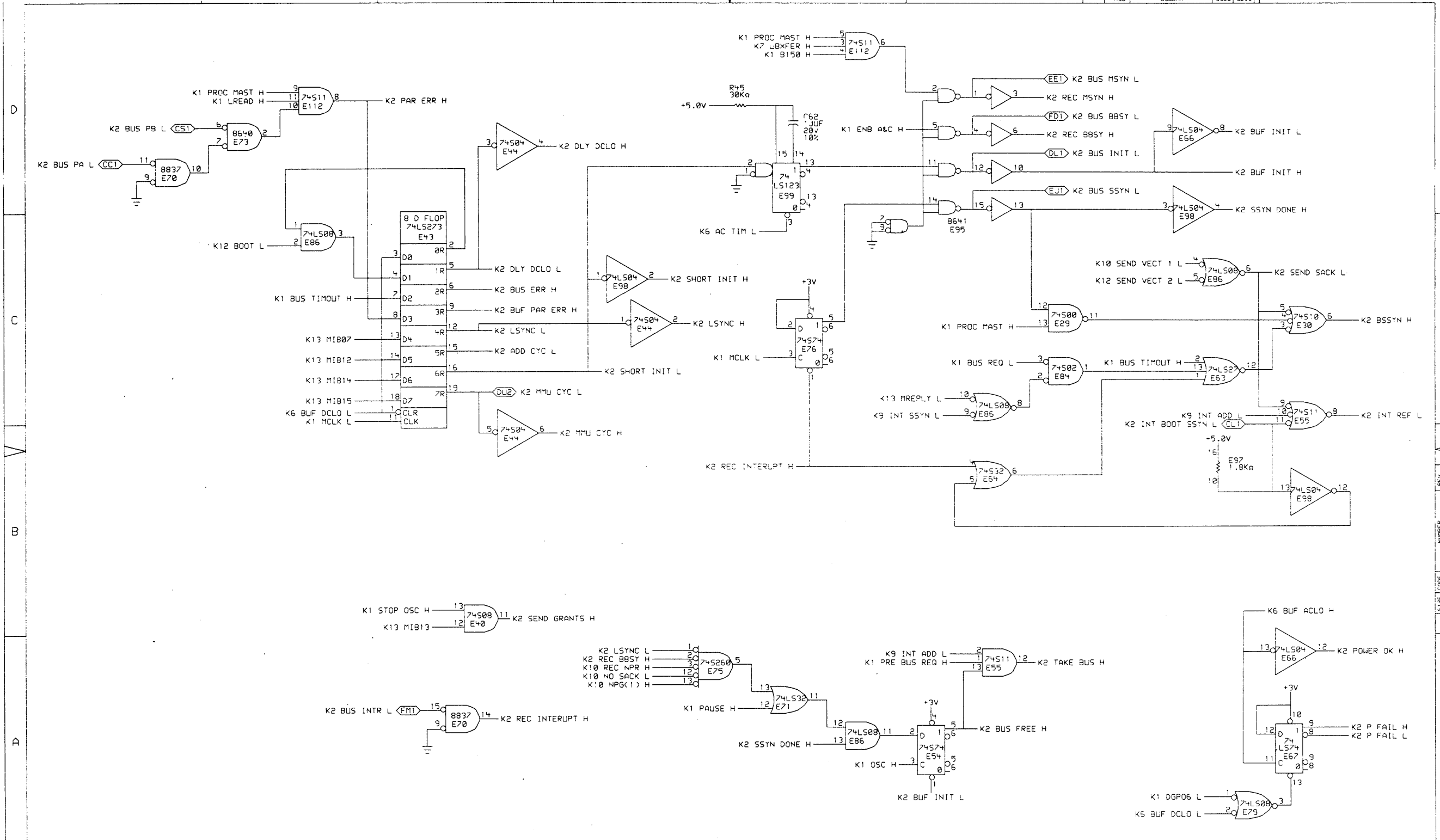
### REWORK INSTRUCTIONS

- 7-1 COMPONENT ADD: 7-1 R72 TO FORMER E109 PIN 1 AND PIN 20
- 7-2 WIRE ADD: 7-2 FROM PTH BELOW R72 PIN 1 TO PTH BELOW E125 PIN 3

DESCRIPTION		DRAWING NO.		PART NO.		ITEM NO.		
UNLESS OTHERWISE SPECIFIED DIMENSIONS ARE IN INCHES AND THE FOLLOWING TOLERANCES APPLY (PER DEC STD 114)								
INCHES TOLERANCES		ANGLES ± 0° 30'	APPLICABLE DIMENSION RANGE					
X = ± .1		SURFACE QUALITY	DIMENSION RANGE IN INCHES					
XX = ± .05			OVER 0 TO 0.2	OVER 0.2 TO 1.2	OVER 1.2 TO 4.0	OVER 4.0 TO 12.0	OVER 12.0 TO 40.0	OVER 40.0 TO 60.0
XXX = ± .005			± .004	± .005	± .012	± .016	± .024	± .04
QUANTITY & VARIATION		THIRD ANGLE PROJECTION	DATE	TITLE				
				11/24 CPU				
DO NOT SCALE DRAWING		DATE	digital					
REMOVE BURRS AND BREAK SHARP CORNERS		DATE						
MATERIAL		DATE	DOCUMENT NUMBER					
FINISH		DATE	DUA M7133-0-0 J					
		DATE	SCALE 1:1 SHEET 2 OF 2					

REVISION HISTORY  
REV.  
DATE  
EOD NUMBER

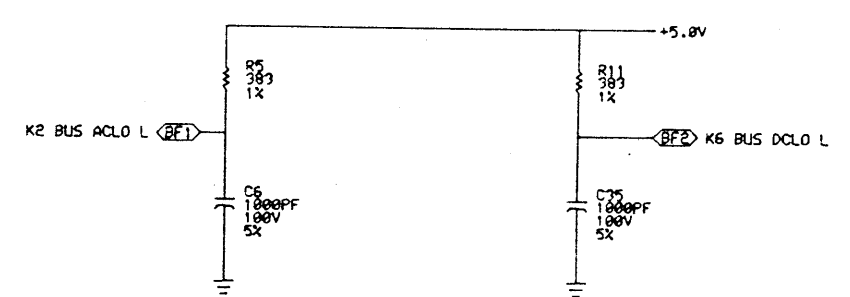
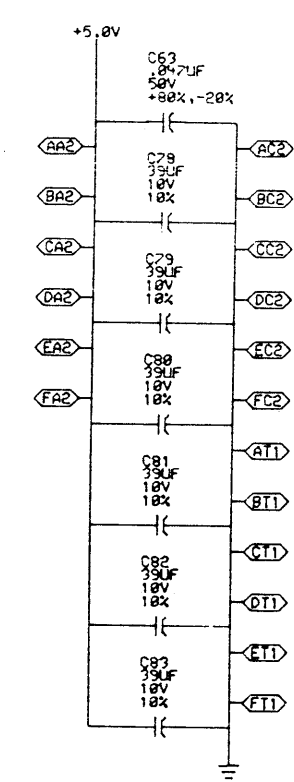
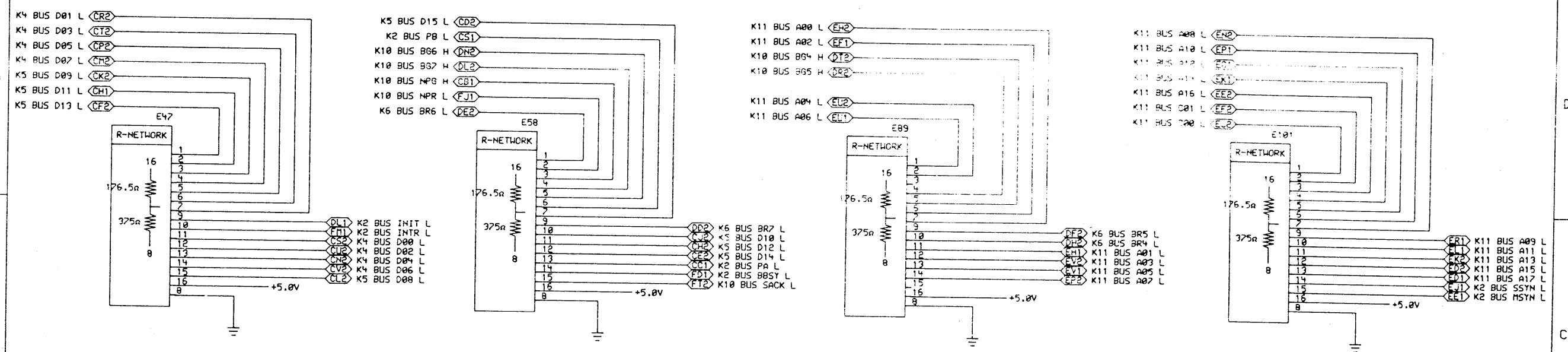
DUA M7133-0-0



REV.	CHG.	NO.	REV.

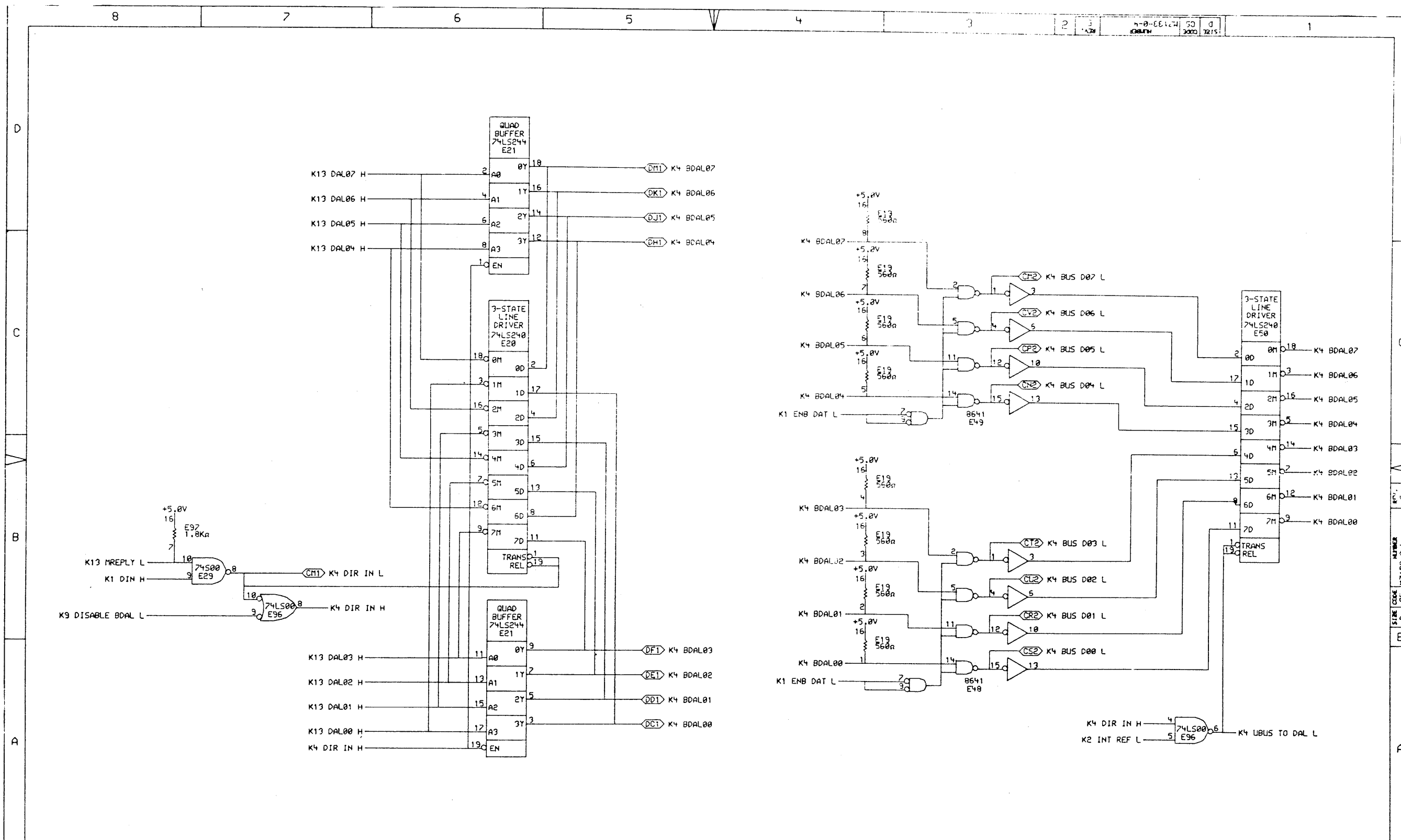
DATE	ENG.	DATE	TITLE:
18-JUL-83	J. J. J.		(K2) BUS CTL

SIZE	CODE	NUMBER	REV.
K	CS	M7133-0-2	H

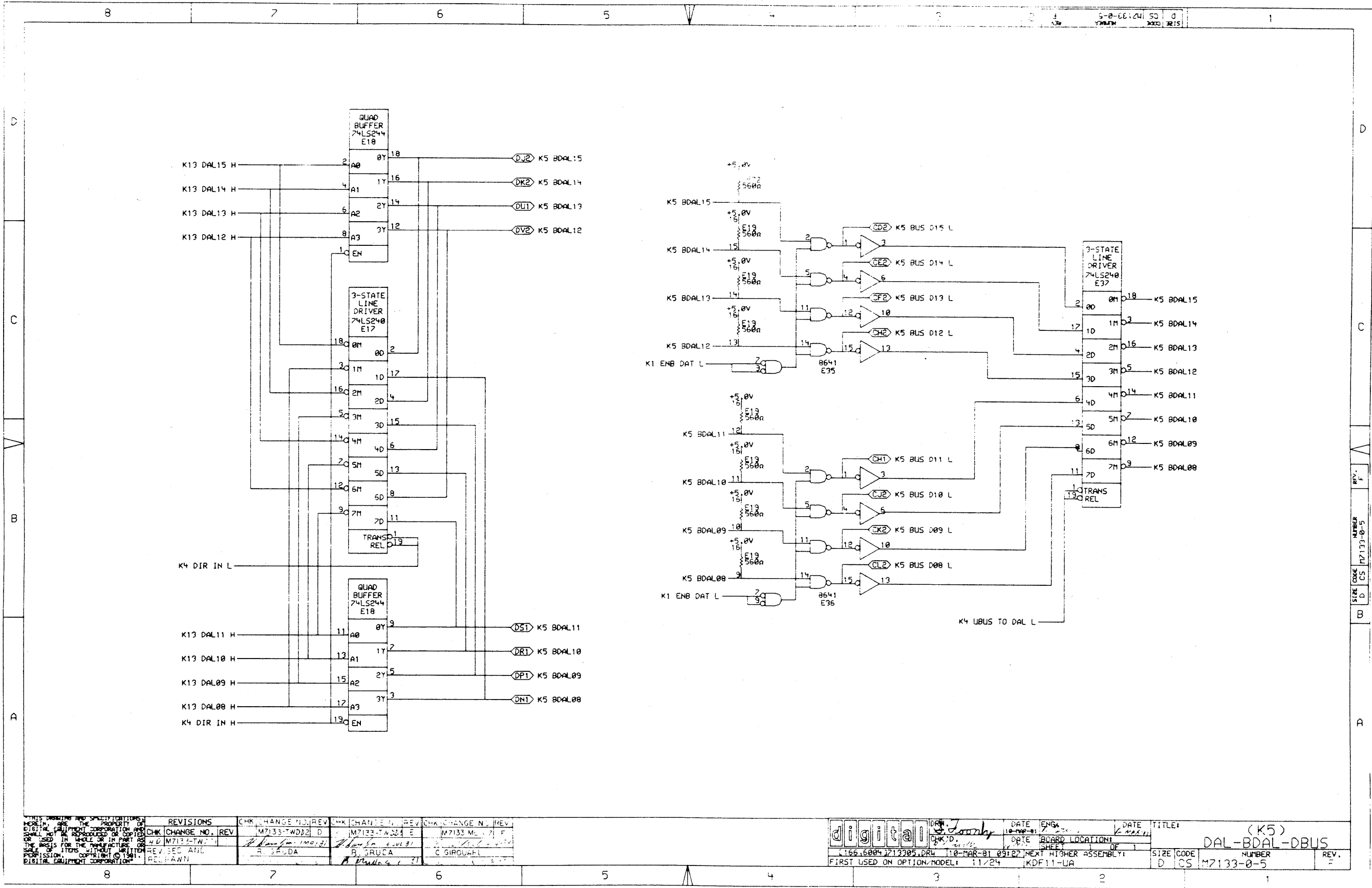


REVISIONS	CHK	CHANGE NO.	REV	CHK	CHANGE NO.	REV
1		M7133-TW001	D		M7133-TW001	E
2		M7133-TW001				
3		M7133-TW001				

**digital** *Johny* DATE: 10-20-81  
 DATE: 10-20-81  
 TITLE: (K3) BUS TERM  
 FIRST USED ON OPTION/MODEL: 11/24 KDF11-UA  
 SIZE CODE: D CS M7133-0-3 NUMBER: 1 REV: E



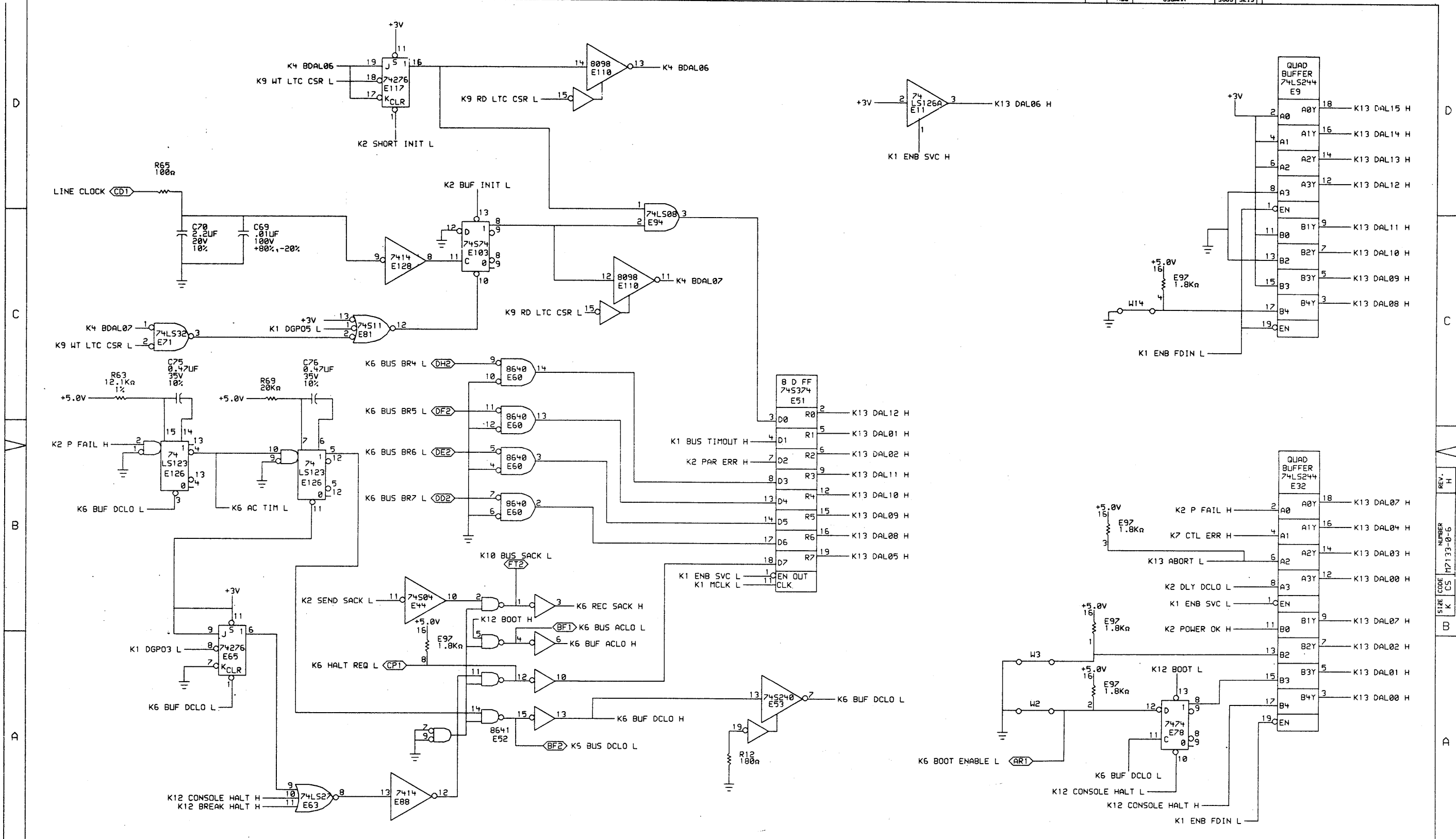
THIS DRAWING AND SPECIFICATIONS ARE THE PROPERTY OF DIGITAL EQUIPMENT CORPORATION AND SHALL NOT BE REPRODUCED OR COPIED OR USED IN WHOLE OR IN PART AS THE BASIS FOR THE MANUFACTURE OR SALE OF ITEMS WITHOUT WRITTEN PERMISSION. COPYRIGHT © 1981, DIGITAL EQUIPMENT CORPORATION.		REVISIONS CHK CHANGE NO. REV M7133-TW-3 E	CHK CHANGE I.D. REV M7133-TW-3 D	CHK CHANGE I.D. REV M7133-TW-3 E	DATE ENG. DATE BOARD LOCATION DATE SHEET 11-24	TITLE: (K4) DAL-BDAL-DBUS	SIZE CODE D CS	NUMBER M7133-0-4	REV. E
--	--	---	-------------------------------------	-------------------------------------	---	---------------------------------	-------------------	---------------------	-----------



CHK	CHANGE NO.	REV	CHK	CHANGE NO.	REV	CHK	CHANGE NO.	REV

<b>digital</b>		DATE ENG'D: 10-198-01 DATE DESIGNED: 11-198-01 DATE CHECKED: 11-198-01 DATE ASSEMBLED: 11-198-01	TITLE: (K5) DAL-BDAL-DBUS
156,6004 213305 DRW	1:0-MAR-81 09127 NEXT FISHER ASSEMBLY	SHEET 1 OF 1	SIZE CODE: D CS NUMBER: M7133-0-5 REV: F



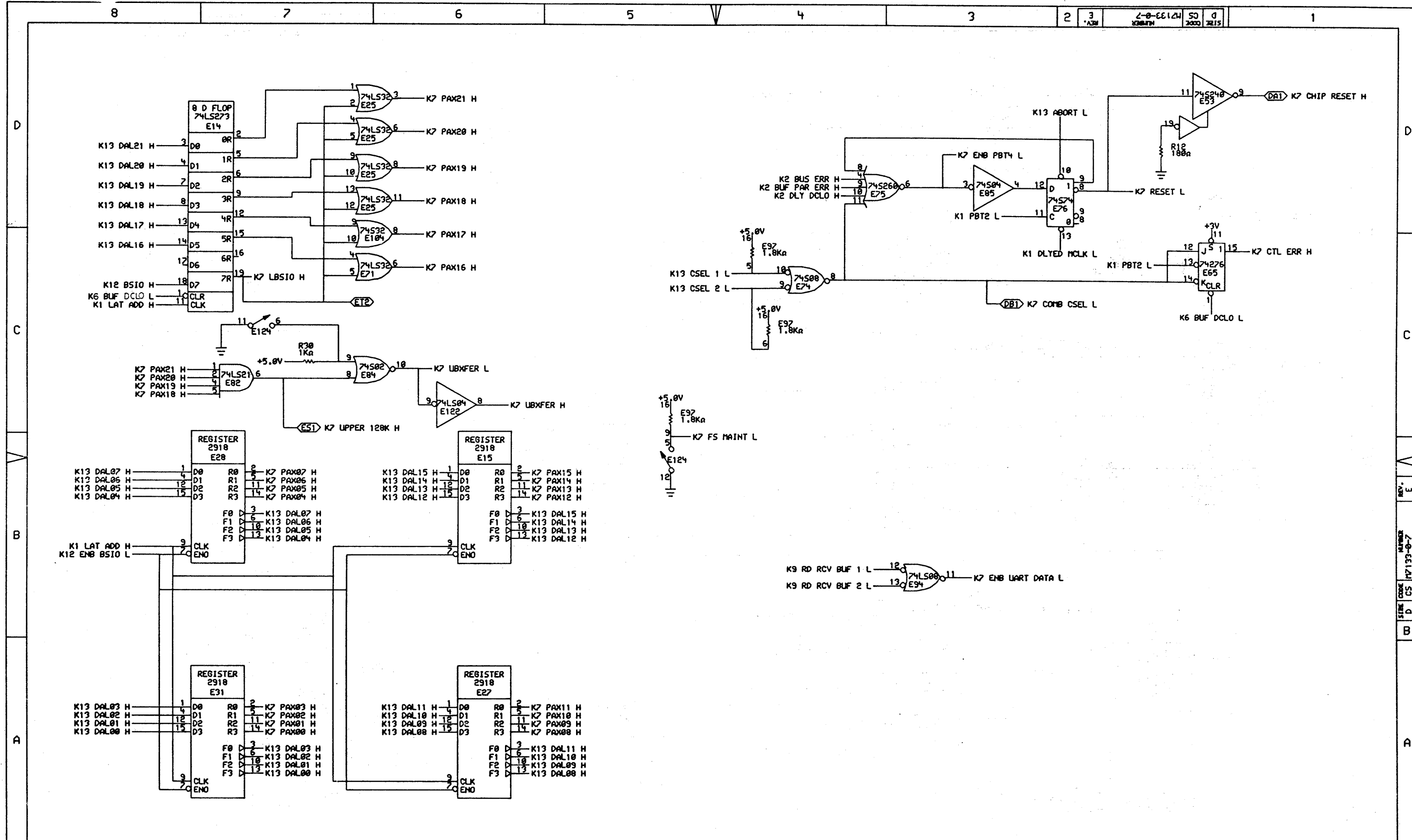


THIS DRAWING AND SPECIFICATIONS HEREIN ARE THE PROPERTY OF DIGITAL EQUIPMENT CORPORATION AND SHALL NOT BE REPRODUCED OR COPIED OR USED IN WHOLE OR IN PART AS THE BASIS FOR THE MANUFACTURE OR SALE OF ITEMS WITHOUT WRITTEN PERMISSION. COPYRIGHT © 1983, DIGITAL EQUIPMENT CORPORATION.

REV.	DATE	DESCRIPTION
1	11/24	INITIAL ISSUE

REV.	DATE	DESCRIPTION
1	11/24	INITIAL ISSUE

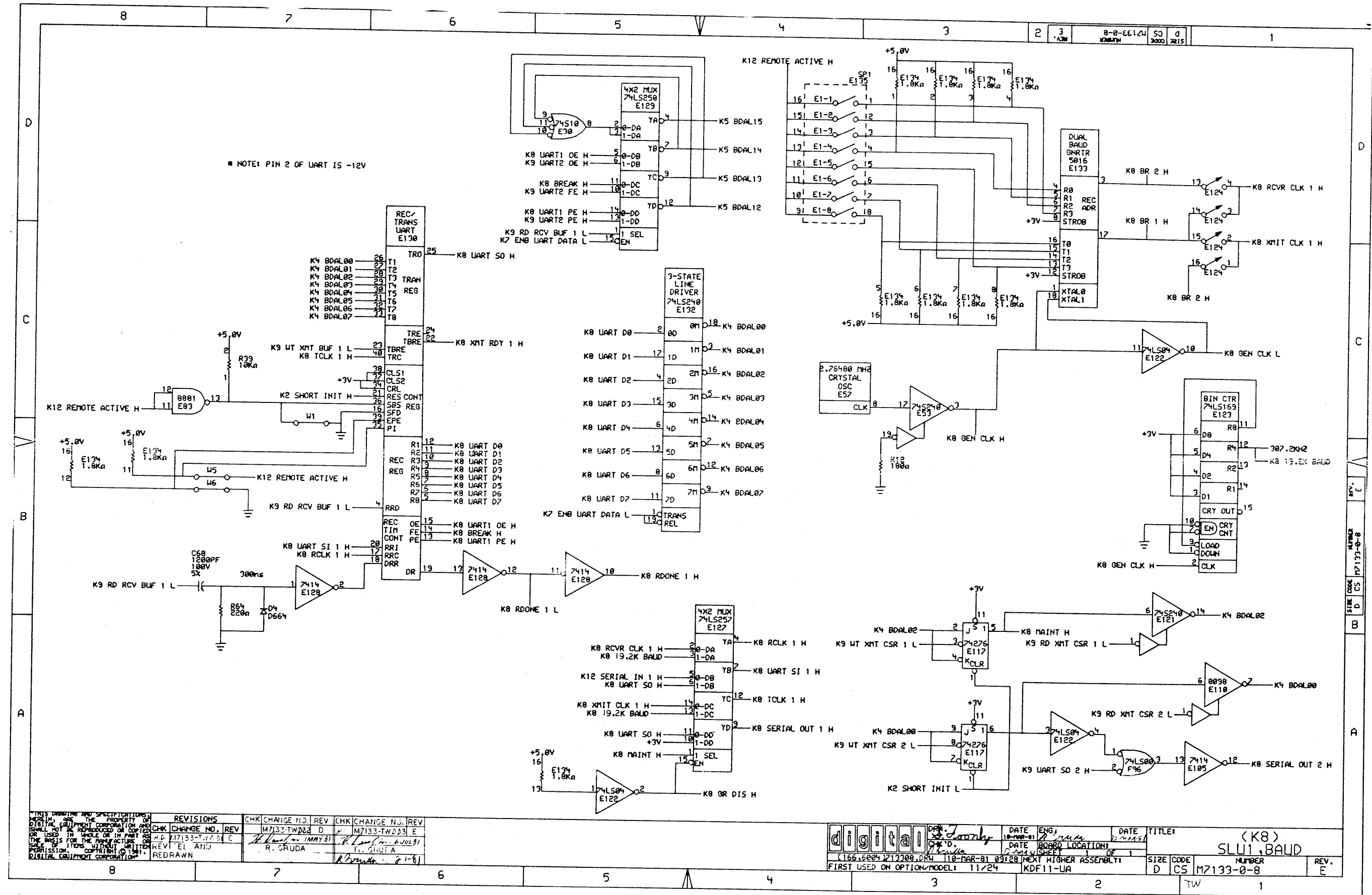
digital	DATE: 18-JUL-83	ENG.:	DATE:	TITLE:
CHK'D. J. Looby	DATE:	BOARD LOCATION:	SHEET 1 OF 1	(K6) FIXED DIN, SVC
USRA: <HEBERT> 713306.DRW 118-JUL-83 10:40	NEXT HIGHER ASSEMBLY:	SIZE CODE:	NUMBER:	REV.:
FIRST USED ON OPTION/MODEL: 11/24	KDF11-UA	K CS	M7133-0-6	H



REV	CHG	NO.	REV	CHK	CHANGE NO.	REV	CHK	CHANGE NO.	REV
					M7133-TW002	D		M7133-TW003	E
					M7133-TW001	C			

	DATE	ENG.	DATE	TITLE:	(K7) PAX
	10-10-81	Roy Brandy	12-10-81		
	DATE	BOARD LOCATION	DATE	REV.	
	11-02-81		09-27-81	1	
FIRST USED ON OPTION/MODEL: 11/24				KDF11-UA	
SIZE	CODE	NUMBER	REV.		
D	CS	M7133-0-7	E		

REV. E  
 NAME M7133-0-7  
 CS D  
 B  
 A

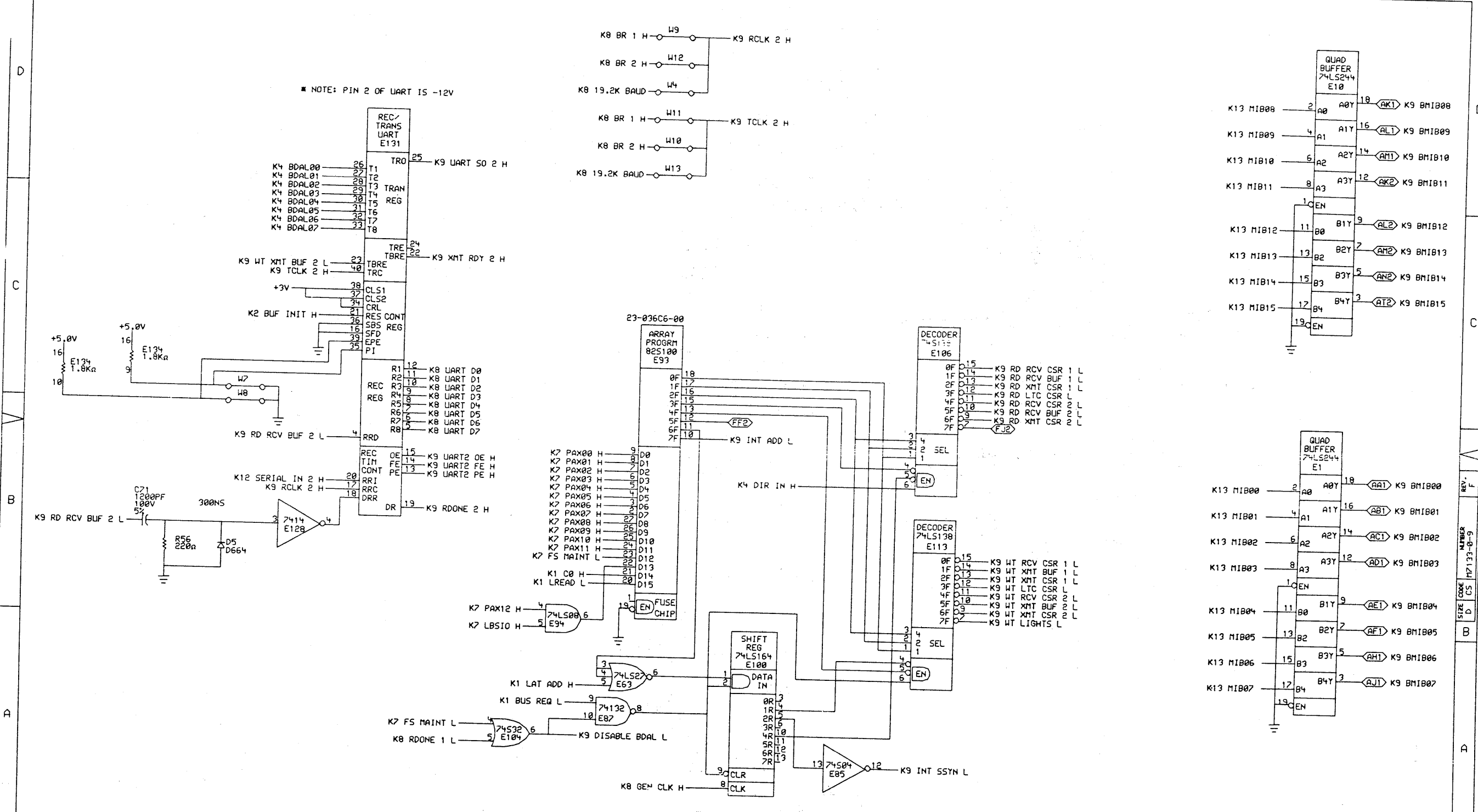


NOTE: PIN 2 OF UART IS -12V

REVISIONS				CHANGES			
CHK	CHANGE NO.	REV	DATE	CHK	CHANGE NO.	REV	DATE
...	...	...	...	...	...	...	...

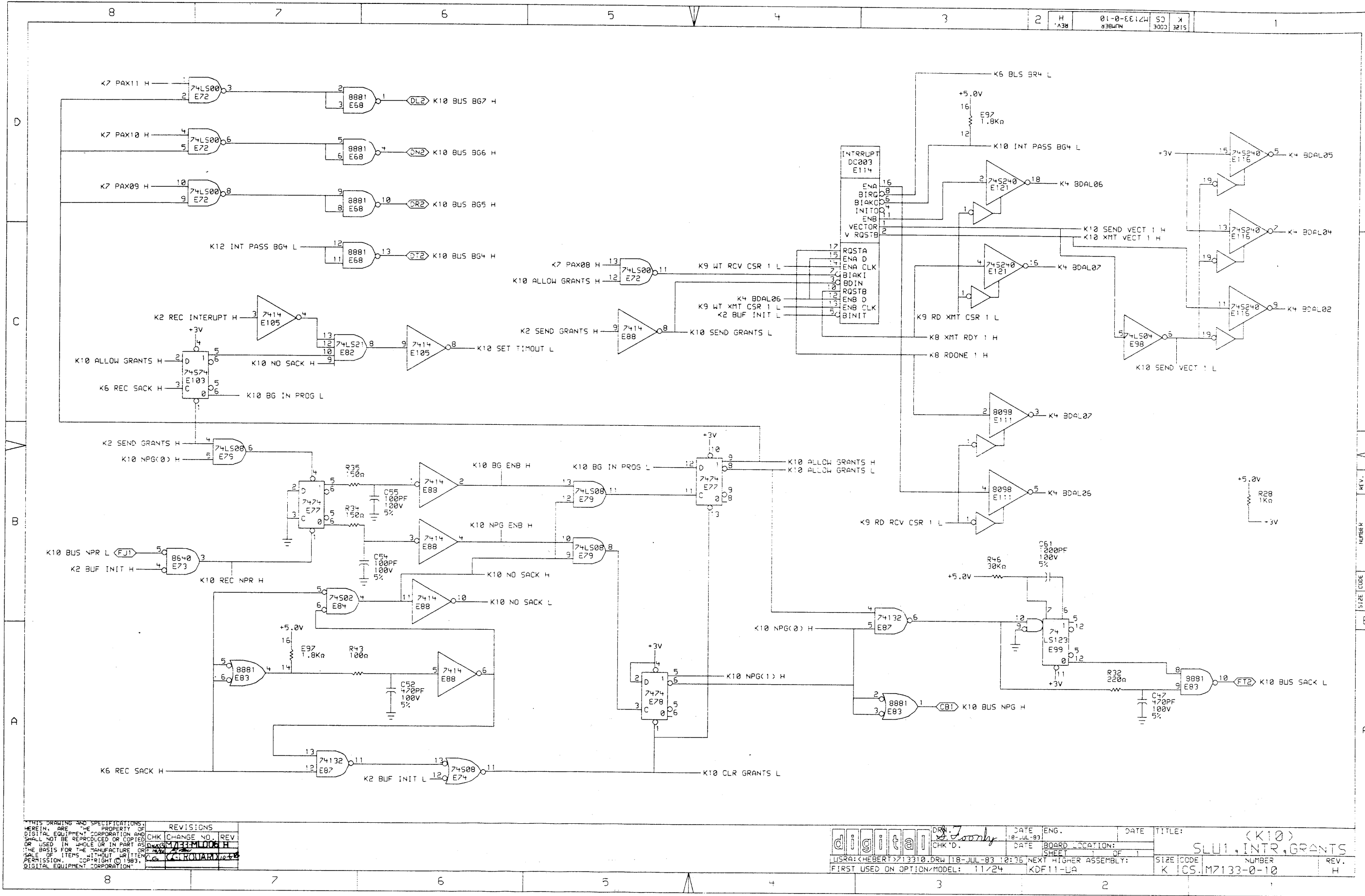
<b>digital</b>	DATE: 10-11-81	ENG: R. CRUDA	DATE: 10-11-81	TITLE: (K8) SLU1, BAUD
...	...	...	...	...

PART NUMBER: M7133-0-8  
 SIZE CODE: CS  
 SHEET: 1 OF 1  
 FIRST USED ON OPTION MODEL: 11/24  
 NEXT HIGHER ASSEMBLY: KDF11-UA



THIS DRAWING AND SPECIFICATIONS HEREIN ARE THE PROPERTY OF DIGITAL EQUIPMENT CORPORATION AND SHALL NOT BE REPRODUCED OR COPIED OR USED IN WHOLE OR IN PART AS THE BASIS FOR THE MANUFACTURE OR SALE OF ITEMS WITHOUT WRITTEN PERMISSION. COPYRIGHT © 1981, DIGITAL EQUIPMENT CORPORATION.				REVISIONS		CHK/CHANGE NO. REV		CHK/CHANGE NO. REV		CHK/CHANGE NO. REV	
				M2133-TW002 D		M2133-TW002 E		M2133-TW002 F		M2133-TW002 G	
				R. CRUDA		R. CRUDA		R. CRUDA		R. CRUDA	
				MAY 81		JUL 81		AUG 81		AUG 81	
				REV. A VII		REV. A VII		REV. A VII		REV. A VII	
				R. CRUDA		R. CRUDA		R. CRUDA		R. CRUDA	

digital		DATE ENG.	DATE	TITLE:
10-MAR-81		10-MAR-81		(K9) ADR DEC, MIBBUF, SLU2
C166.6004 213309.DRL		DATE BOARD LOCATION:	1 OF 1	
FIRST USED ON OPTION MODEL: 11/24		DATE:		
NEXT HIGHER ASSEMBLY: KDF11-UA		SIZE CODE	NUMBER	REV.
		D CS	M2133-0-9	F

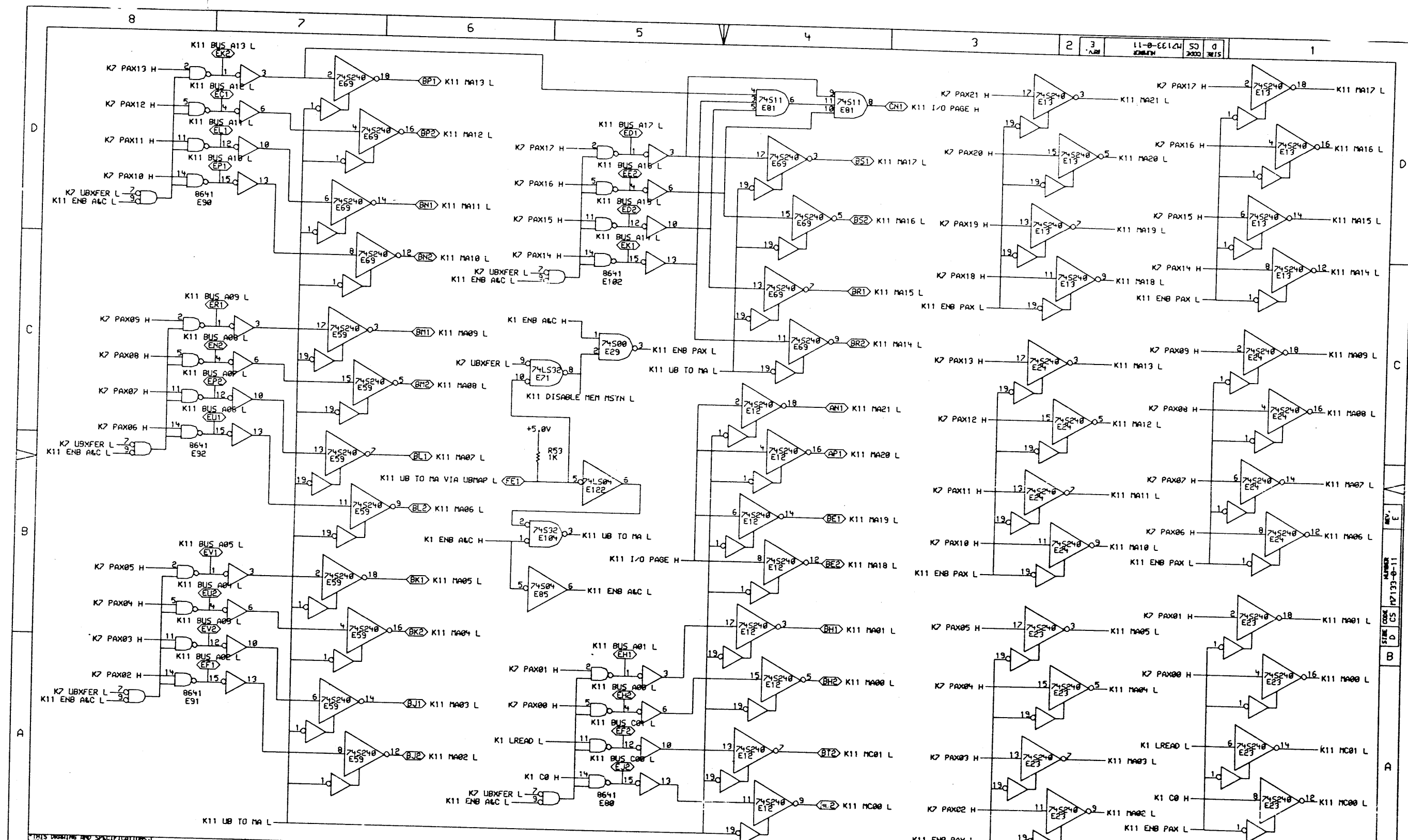


REV. H  
 NUMBER 01-0-3310  
 CS M7133-0-10  
 SIZE K

THIS DRAWING AND SPECIFICATIONS ARE THE PROPERTY OF DIGITAL EQUIPMENT CORPORATION AND SHALL NOT BE REPRODUCED OR COPIED OR USED IN WHOLE OR IN PART AS THE BASIS FOR THE MANUFACTURE OR SALE OF ITEMS WITHOUT WRITTEN PERMISSION. COPYRIGHT © 1983, DIGITAL EQUIPMENT CORPORATION.

REV.	CHG	NO.	DESCRIPTION
1			INITIAL ISSUE
2			REVISION

digital	DATE: 18-JUL-83	ENG.:	DATE:	TITLE: (K10) SLU1, INTR, GRANTS
CHK'D. <i>[Signature]</i>	DATE:	BOARD LOCATION:	SHEET OF:	NUMBER
USRA: CHEBERT 2713310.DRW 18-JUL-83 10:35	NEXT HIGHER ASSEMBLY:	SIZE CODE: K	CODE: CS	NUMBER: M7133-0-10
FIRST USED ON OPTION/MODEL: 11/24	KDF11-LA	REV.:	H	



REV	CHK CHANGE NO.	CHK CHANGE NO.	REV	CHK CHANGE NO.	CHK CHANGE NO.
1	M7133-TW001	M7133-TW001	1	M7133-TW001	M7133-TW001
2	M7133-TW001	M7133-TW001	2	M7133-TW001	M7133-TW001
3	M7133-TW001	M7133-TW001	3	M7133-TW001	M7133-TW001

THIS DRAWING AND SPECIFICATIONS ARE THE PROPERTY OF DIGITAL EQUIPMENT CORPORATION AND SHALL NOT BE REPRODUCED OR COPIED OR USED IN WHOLE OR IN PART AS THE BASIS FOR THE MANUFACTURE OF ANY ITEMS WITHOUT WRITTEN PERMISSION. COPYRIGHT © 1974 DIGITAL EQUIPMENT CORPORATION.

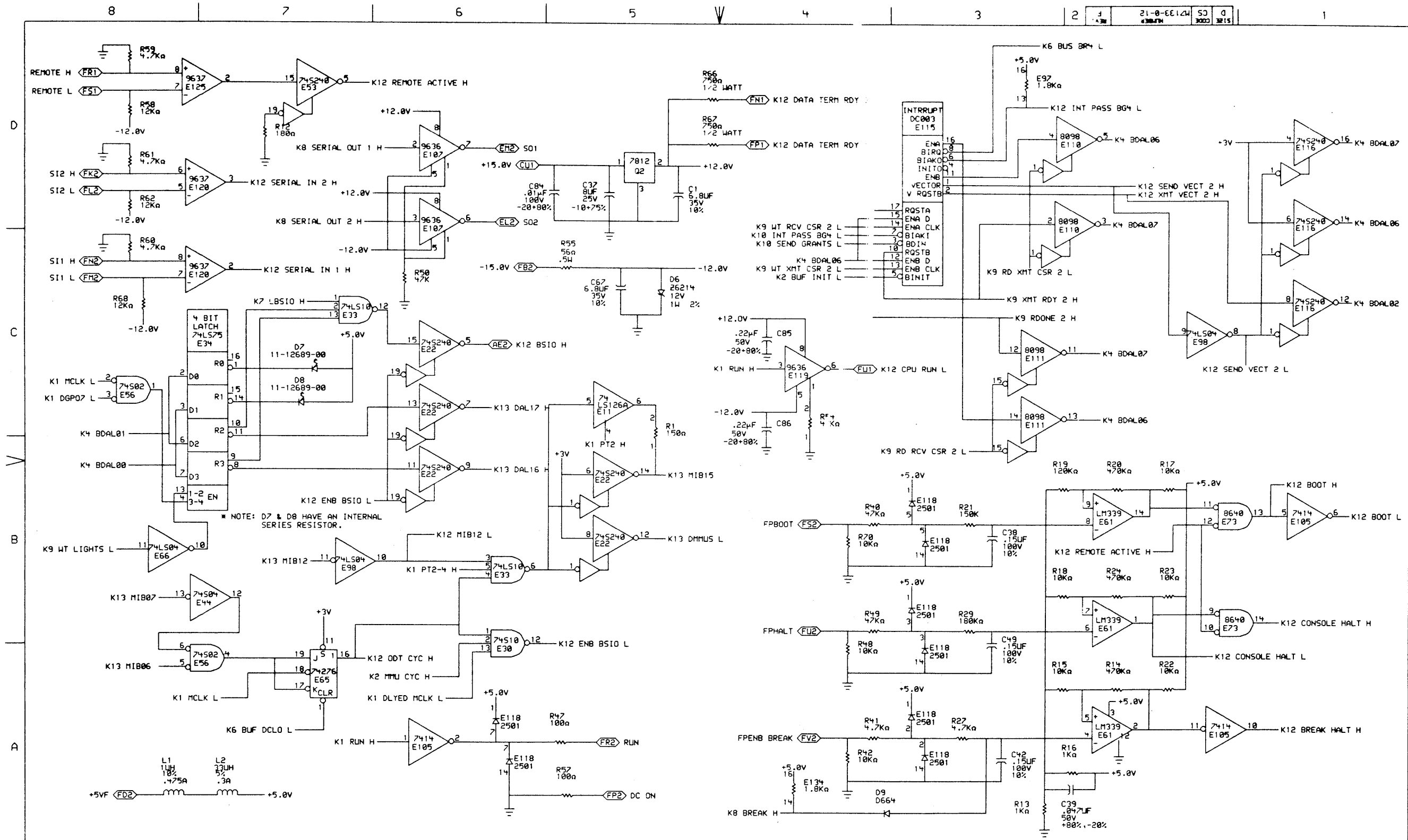
digital

DATE: 11-24-81  
 DATE: 11-24-81  
 DATE: 11-24-81

11-0-EE124  
 50  
 3000  
 3E15

(K11)  
 ADDR LINES

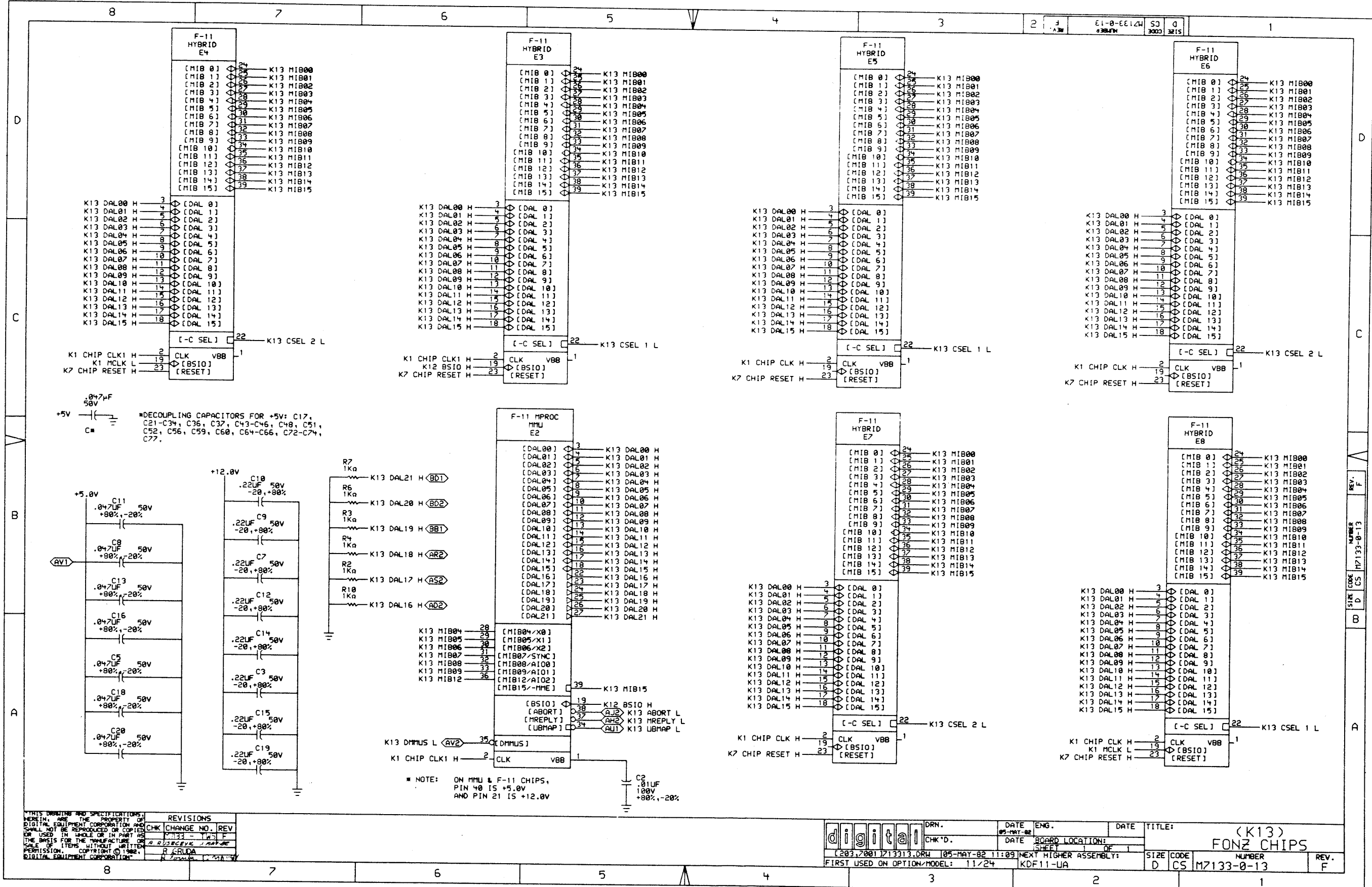
SIZE: D CS M7133-0-11  
 NUMBER: 1  
 REV: E



THIS DRAWING AND SPECIFICATIONS HEREIN ARE THE PROPERTY OF DIGITAL EQUIPMENT CORPORATION AND SHALL NOT BE REPRODUCED OR COPIED OR USED IN WHOLE OR IN PART AS THE BASIS FOR THE MANUFACTURE OR SALE OF ITEMS WITHOUT WRITTEN PERMISSION. COPYRIGHT © 1982, DIGITAL EQUIPMENT CORPORATION.

REV.	DESCRIPTION	DATE
1	INITIAL DESIGN	11-24
2	REVISIONS	
3	REVISIONS	
4	REVISIONS	
5	REVISIONS	
6	REVISIONS	
7	REVISIONS	
8	REVISIONS	

digital	DRN.	DATE	ENG.	DATE	TITLE
	CHK'D.	DATE	BOARD LOCATION:		(K12) SC, INTR, VREG, FPNL
FIRST USED ON OPTION/MODEL: 11/24		NEXT HIGHER ASSEMBLY: KDF11-UA		SIZE	CODE
				D	CS M7133-0-12
				NUMBER	REV.
					F



REV.	NO.	DATE	BY	CHK	CHANGE NO.	REV
1	1	05-MAY-82	JW	JW	1	F

**digital** DRN. DATE ENG. DATE TITLE: (K13) FONZ CHIPS

CHK'D. DATE BOARD LOCATION: SHEET 1 OF 1

SIZE CODE NUMBER REV. D CS M7133-0-13 F

FIRST USED ON OPTION/MODEL: 11/24 KDF11-UA



### BAUD RATES

THERE ARE TWO SIMULTANEOUS BAUD RATES AVAILABLE.  
 BAUD RATE 1 IS SELECTED USING SWITCHES 5,6,7 & 8 OF E135.  
 BAUD RATE 2 IS SELECTED USING SWITCHES 1,2,3 & 4 OF E135.  
 BOTH ARE ACCORDING TO THE SWITCH SETTING PATTERN SHOWN BELOW.

		SWITCH E135			
		5	6	7	8
BAUD RATE 1 (KB BR1)		5	6	7	8
BAUD RATE 2 (KB BR2)		1	2	3	4
BAUD RATE 1	50	ON	ON	ON	ON
	75	ON	ON	ON	OFF
	110	ON	ON	OFF	ON
	134.5	ON	ON	OFF	OFF
	150	ON	OFF	ON	ON
	200	ON	OFF	ON	OFF
	300	ON	OFF	OFF	ON
	600	ON	OFF	OFF	OFF
	1200	OFF	ON	ON	ON
	1800	OFF	ON	ON	OFF
	2000	OFF	ON	OFF	ON
	2400	OFF	ON	OFF	OFF
	3600	OFF	OFF	ON	ON
	4800	OFF	OFF	ON	OFF
	9600	OFF	OFF	OFF	ON
	19200	OFF	OFF	OFF	OFF

(IF REMOTE ACTIVE H IS ASSERTED, THEN 19200 IS ANY SETTING.)

### SLU 1/SLU 2 BAUD RATE SELECTION

#### SLU 1

		SWITCH E124			
		1	2	3	4
XMIT RATE (KB XMIT CLK 1)					
BAUD RATE 1		OFF	ON	---	---
BAUD RATE 2		ON	OFF	---	---
RCVR RATE (KB RCVR CLK 1)					
BAUD RATE 1		---	---	ON	OFF
BAUD RATE 2		---	---	OFF	ON

#### SLU 2

		JUMPERS					
		W4	W9	W10	W11	W12	W13
XMIT RATE (KB TCLK 2)							
BAUD RATE 1		---	---	OUT	IN	---	OUT
BAUD RATE 2		---	---	IN	OUT	---	OUT
19.2K BAUD		---	---	OUT	OUT	---	IN
RCVR RATE (KB RCLK 2)							
BAUD RATE 1		OUT	IN	---	---	OUT	---
BAUD RATE 2		OUT	OUT	---	---	IN	---
19.2K BAUD		IN	OUT	---	---	OUT	---

### ODD/EVEN PARITY; STOP BITS

	SLU 1		SLU 2	
	W5	W6	W7	W8
ODD PARITY	---	IN	---	IN
EVEN PARITY	---	OUT	---	OUT
PARITY ENABLED	IN	---	IN	---
PARITY DISABLED	OUT	---	OUT	---
	W1			
ONE STOP BIT	IN			
TWO STOP BIT	OUT			

(REMOTE ACTIVE H DEFAULTS TO ONE STOP BIT)

\* NOTE: IF M9312 IS PRESENT,  
M9312 S1-2 MUST BE OFF.

### CLOCK SETUP PROCEDURE

1. PUT PROBE ON K1 MCLK L AT PIN 882
2. PUT MACHINE IN WAIT LOOP.
3. ADJUST POTENTIOMETER R31 WITH SCREWDRIVER UNTIL K1 MCLK L HAS A PERIOD OF 300ns.

SWITCH				
E124	5	ON	ENABLE FIELD SERVICE MAINT L	
		OFF	NO FS MAINT	
E124	6	ON	NO EFFECT ON UBXFER	
		OFF	FORCES UBXFER L	

	JUMPERS
POWER UP TO:	W14
165000	IN
173000	OUT
ALLOW HALTS	W3
KERNEL HALT TRAPS TO 10	IN
	OUT
BOOT ON POWER UP	W2
POWER UP VIA 24	IN
	OUT

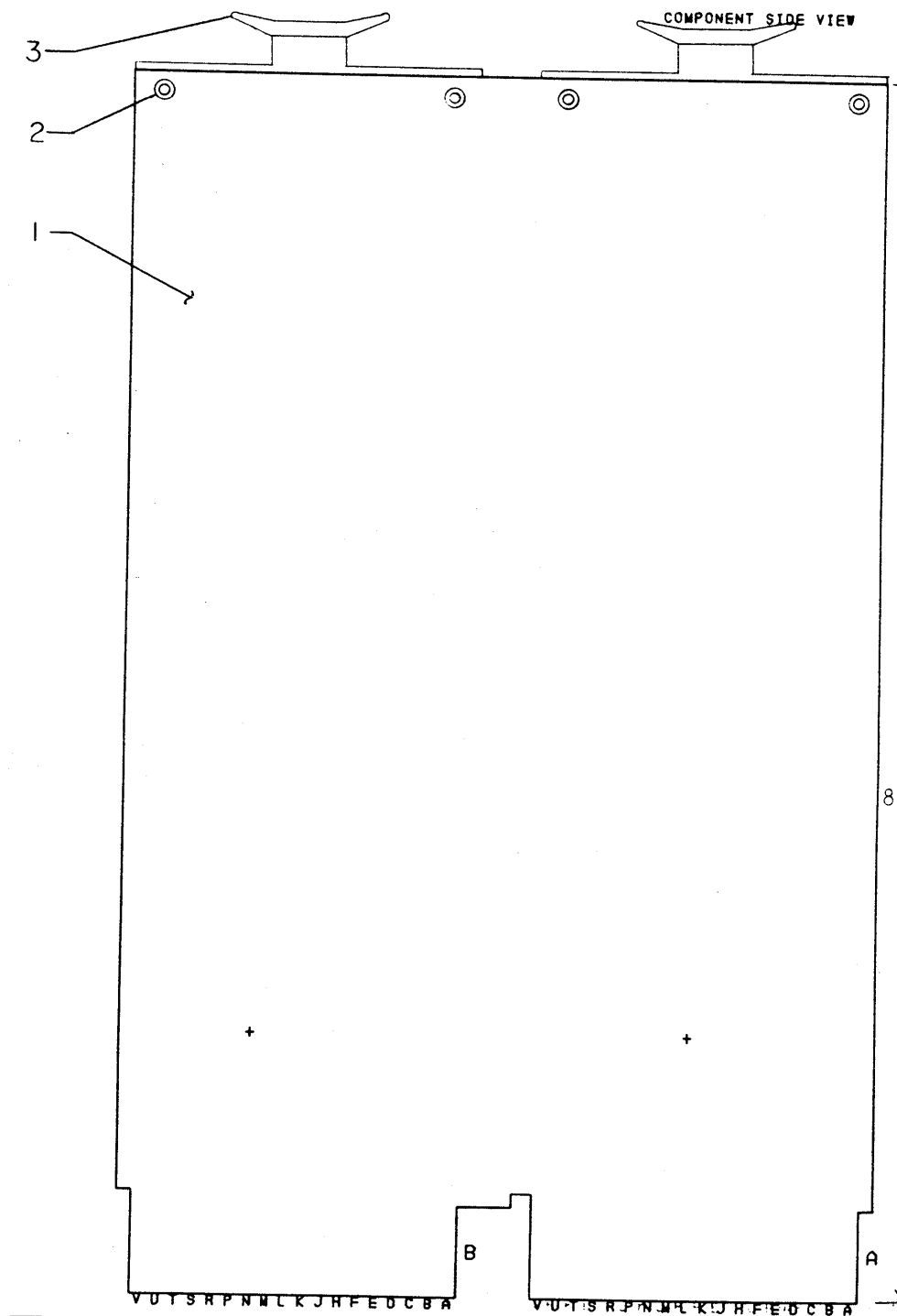
REVISIONS	CHK CHANGE NO.	REV	CHK CHANGE NO.	REV
	M7133-TW032	D	M7133-TW033	E
	M7133-TW031	C		
REVISED AND REDRAWN	R. GRUDA		R. GRUDA	

<b>digital</b>	DATE: 10-1988-81	ENG: <i>R. Gruda</i>	DATE: 12-1988-81	TITLE: (K14) SW, JMPR, CLK SETTINGS
	CHK'D: <i>R. Gruda</i>	DATE: 12-1988-81	BOARD LOCATION: 1	
	FIRST USED ON OPTION/MODEL: 11/24	DATE: 10-MAR-81	REV. E	
		SIZE: D	CODE: CS	NUMBER: M7133-0-14

THIS DRAWING AND SPECIFICATIONS HEREBY ARE THE PROPERTY OF DIGITAL EQUIPMENT CORPORATION AND SHALL NOT BE REPRODUCED OR COPIED IN WHOLE OR IN PART OR THE RIGHTS AND THE INFORMATION IN THIS DRAWING WITHOUT WRITTEN PERMISSION. DIGITAL EQUIPMENT CORPORATION, © 1979

DUA G7273-0-0 \* 2

COMPONENT SIDE VIEW



8.41" F.B.S.

DUA G7273-0-0 \*

NOTES:

- STEP 1 REPEAT - 2 ML 2

STEP 1	+ Y AXIS	STEP 0	TIMES
REPEAT	+ X AXIS	2.250	STEP 1

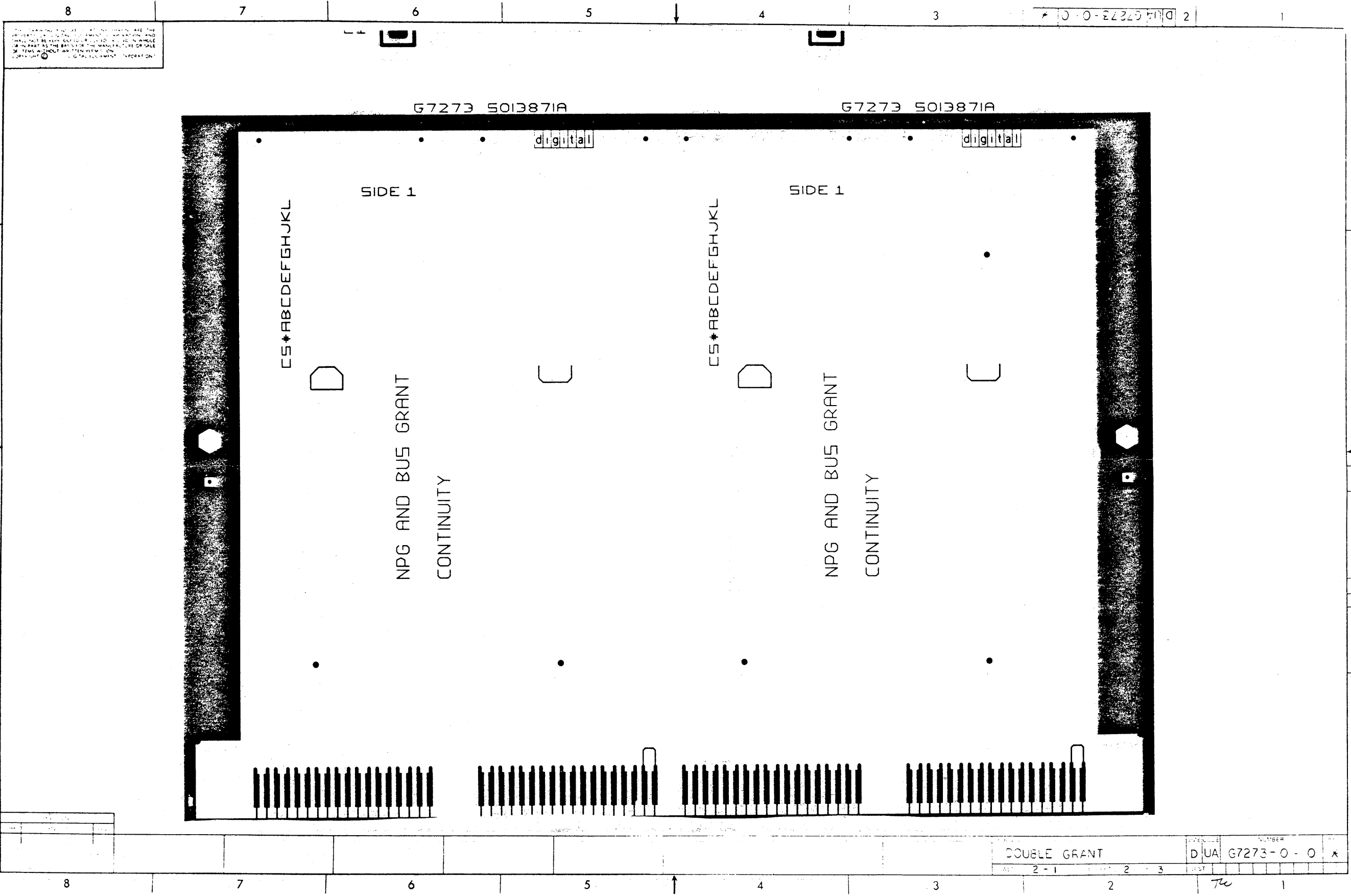
CHANGE NO.	REV.

ETCH REV.	A
-----------	---

SIGNATURES		DATE
DRN. <i>Frank Smart</i>		7-12-79
CHK'D. <i>M. [Signature]</i>		7-25-79
MECH. ENG. <i>[Signature]</i>		
PROJ. ENG. <i>[Signature]</i>		5-5-78
SCALE	2:1	
SHT.	1 OF 3	
NEXT HIGHER ASSY. B-DD-G7273-0		

digital	TITLE
DOUBLE GRANT	
SIZE CODE	NUMBER
DUA G7273-0-0	
REV	*

TU 1 MS# 170164A



THE INFORMATION CONTAINED HEREIN IS UNCLASSIFIED EXCEPT WHERE SHOWN OTHERWISE. IT IS THE PROPERTY OF THE NATIONAL ARCHIVES AND RECORDS ADMINISTRATION AND IS LOANED TO YOU BY THE NATIONAL ARCHIVES AND RECORDS ADMINISTRATION. IT IS TO BE KEPT CONFIDENTIAL AND NOT REPRODUCED OR TRANSMITTED IN ANY FORM OR BY ANY MEANS, ELECTRONIC OR MECHANICAL, INCLUDING PHOTOCOPYING, RECORDING, OR BY ANY INFORMATION STORAGE AND RETRIEVAL SYSTEM.

DUA G7273-0-0 2

G7273 5013871A

G7273 5013871A

digital

digital

SIDE 1

SIDE 1

CS\*ABCDEFGHIJKL

CS\*ABCDEFGHIJKL

NPG AND BUS GRANT  
CONTINUITY

NPG AND BUS GRANT  
CONTINUITY

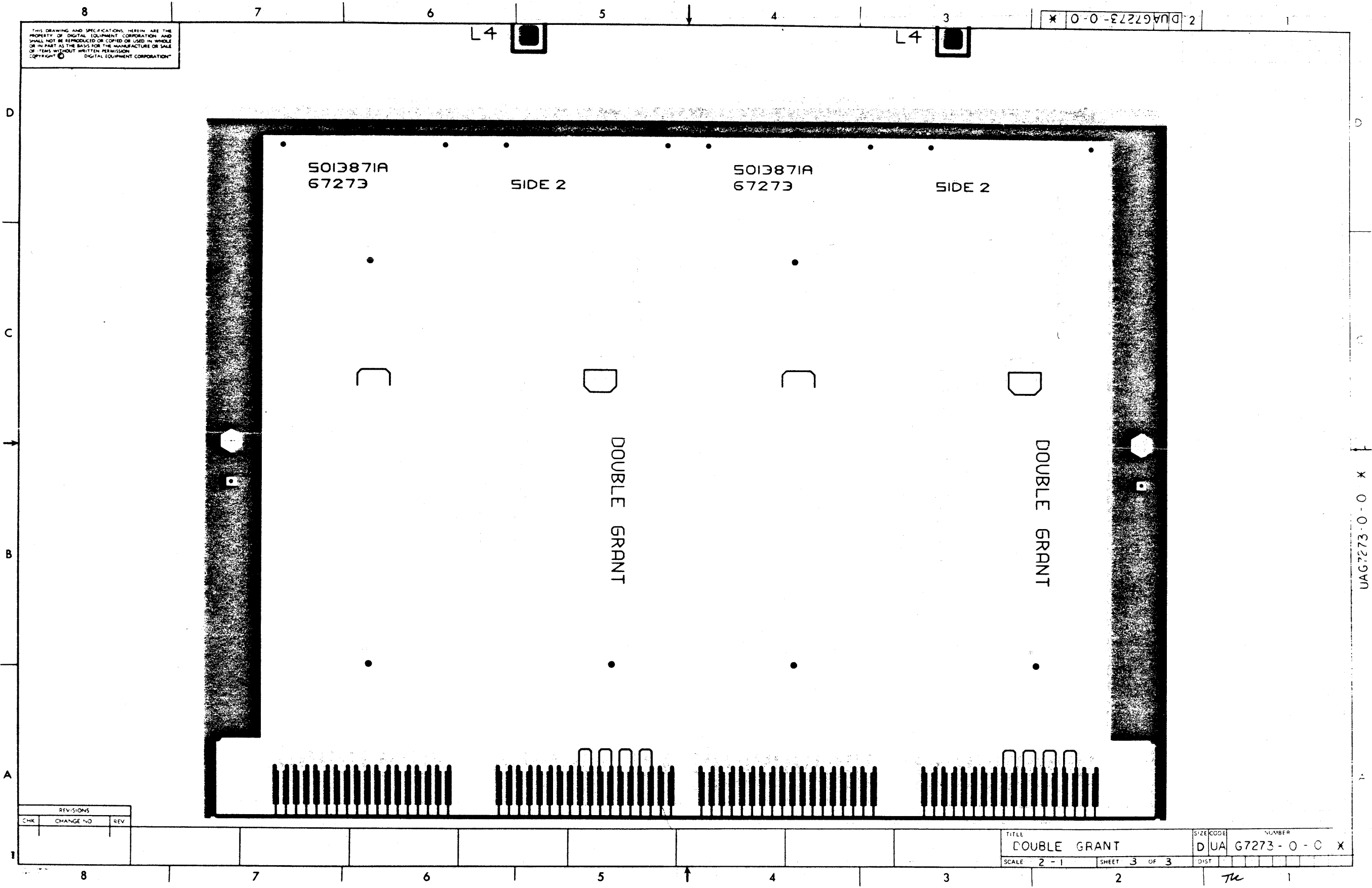
DUA G7273-0-0 \*

DOUBLE GRANT DUA G7273-0-0 \*

TC

THIS DRAWING AND SPECIFICATIONS HEREIN ARE THE PROPERTY OF DIGITAL EQUIPMENT CORPORATION AND SHALL NOT BE REPRODUCED OR COPIED OR USED IN WHOLE OR IN PART AS THE BASIS FOR THE MANUFACTURE OR SALE OF ITEMS WITHOUT WRITTEN PERMISSION. COPYRIGHT © DIGITAL EQUIPMENT CORPORATION

DUA G7273-0-0 \* 2



UAG7273-0-0 \* 1

REVISIONS		
CHK	CHANGE NO	REV

TITLE DOUBLE GRANT		SIZE CODE DUA	NUMBER G7273-0-0 * X
SCALE 2-1	SHEET 3 OF 3	DIST	

Tu

LINE	ITEM	DOCUMENT NUMBER	PART NUMBER	DESCRIPTION	QUANTITY	PFR VARIATION
1	1	D-MD-5013871-0-0	5013871-00	(11/24) BOARD FOR G7273	1	
2	2		9036732-00	FYLEFT, ROLLED FLANGE, .121 OD X	4	
3	3		9038337-01	HANDLE, FLIP CHIP, GREEN	2	

REVISION HISTORY		BASIC PART NO: G7273		DRN:	F.SMART	DATE:	18-JUL-79	D I G I T A I L			
ENG	ECO NUMBER	REV	SECTION A OF A	CHK'D:	F.GAROFALO	DATE:	18-JUL-79	TITLE PARTS LIST			
---	INITIAL	*	SECTION, VARIATION INDEX					DOUBLE GRANT			
			[A] 00					DOCUMENT NUMBER			
			[B]	DES.ENG.:	R.GRUDA	DATE:	5-MAY-80	SIZE CODE NUMBER REV			
			[C]	RESP.ENG.:	P.GRUDA	DATE:	5-MAY-80	K	PL	G7273-0-DBP	*
			[D]					ASSEMBLY NUMBER: TOP DOCUMENT NUMBER: FILE NAME: EDIT #			
			[E]					D-UA-G7273-0-0 B-DD-G7273-0-0 Z1264.PLS 4			
			[F]								

"THIS DRAWING AND SPECIFICATIONS HEREIN, ARE THE PROPERTY OF DIGITAL EQUIPMENT CORPORATION AND SHALL NOT BE REPRODUCED OR COPIED OR USED IN WHOLE OR IN PART AS THE BASIS FOR THE MANUFACTURE OR SALE OF ITEMS WITHOUT WRITTEN PERMISSION. COPYRIGHT (C) 1980. DIGITAL EQUIPMENT CORPORATION."

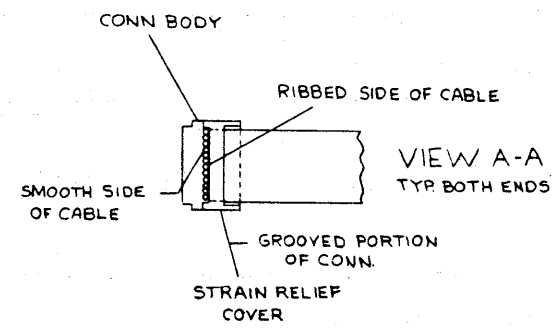
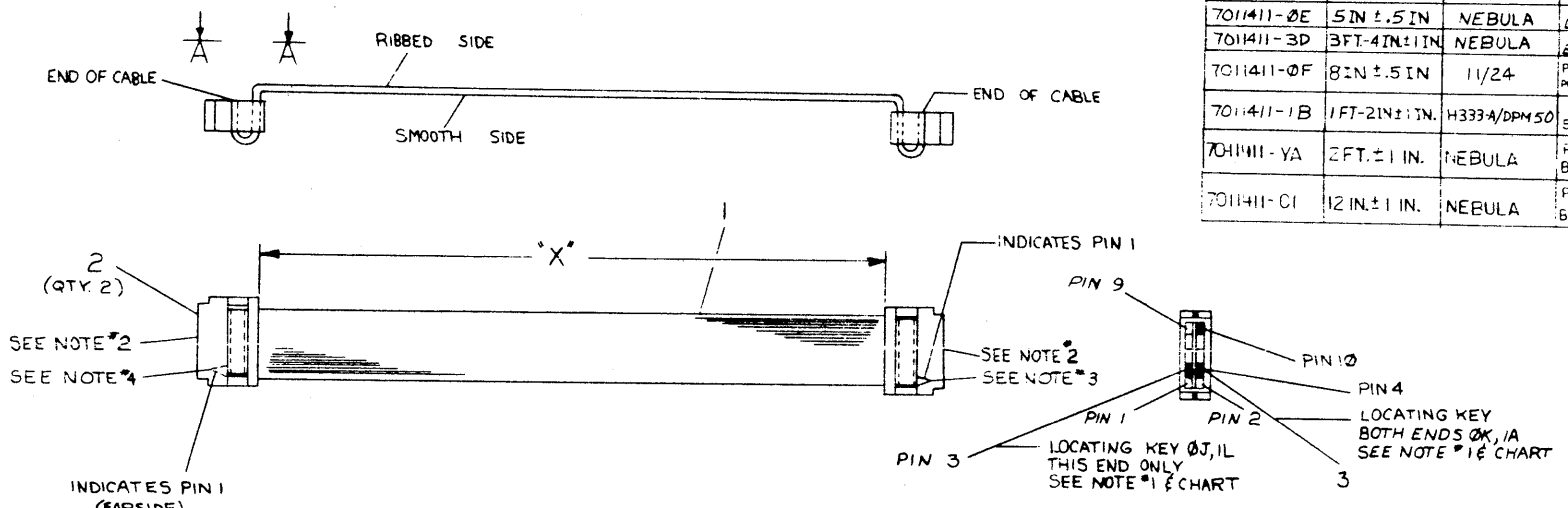
TW

THIS DRAWING AND SPECIFICATIONS, HEREIN, ARE THE PROPERTY OF DIGITAL EQUIPMENT CORPORATION AND SHALL NOT BE REPRODUCED OR COPIED OR USED IN WHOLE OR IN PART AS THE BASIS FOR THE MANUFACTURE OR SALE OF ITEMS WITHOUT WRITTEN PERMISSION.  
 COPYRIGHT © 1979, DIGITAL EQUIPMENT CORPORATION

M 0-0-11-001102 V1 d 2

NUMBER	DIM. & VARIATION	USED ON	KEY PIN
7011411-0J	8 IN ± .5 IN	BA11-L OR K	PIN 0 ONE END
7011411-0K	9 IN ± .5 IN	LS1-11	BOTH ENDS
7011411-1D	1 FT-4 IN ± .1 IN	KY11-LB	PIN 0 ONE END
7011411-2D	2 FT-4 IN ± .1 IN	BA11-F100 RPF	PIN 0 ONE END
7011411-0H	7 IN ± .5 IN	H790, 1, 2, 3	
7011411-1V	1 FT-8 IN ± .1 IN	1104/34-7A	
7011411-1L	1 FT 10 IN ± .1 IN	BA11-L, H777	PIN 3 ONE END
7011411-1A	1 FT-1 IN ± .1 IN	H787	BOTH ENDS
7011411-3J	3 FT-8 IN ± .1 IN	BA11-K, H785	
7011411-2J	2 FT-8 IN ± .1 IN	BA11-K, H785	NO KEY
7011411-5F	5 FT-6 IN ± .1 IN	1160	B ONE END
7011411-12	12 FT ± .3 IN	KA570	
7011411-7	7 FT ± .2 IN	11780	
7011411-1C	1 FT-3 IN ± .1 IN	VT103	SEE NOTES 3 AND 4
7011411-2	2 FT ± .1 IN	VT103	SEE NOTES 3 AND 4
7011411-0E	5 IN ± .5 IN	NEBULA	BOTH ENDS
7011411-3D	3 FT-4 IN ± .1 IN	NEBULA	BOTH ENDS
7011411-0F	8 IN ± .5 IN	11/24	PIN 3 ONE END PIN 6 ONE END
7011411-1B	1 FT-2 IN ± .1 IN	H333-A/DPM50	4 BOTH ENDS
7011411-YA	2 FT ± .1 IN	NEBULA	PIN 5 BOTH ENDS
7011411-C1	12 IN ± .1 IN	NEBULA	PIN 10 BOTH ENDS

NOTES:  
 1. INSERT KEY IN PROPER CONNECTOR PIN AND BREAK OFF TAB.  
 2. FOR ITEM (2) DRAWING IS SHOWING 3M CONNECTOR.  
 3. FOR -1C AND -2 VARIATIONS, KEY PIN 6.  
 4. FOR -1C AND -2 VARIATIONS, KEY PIN 5.



QUANTITY	DESCRIPTION	DWG./PART NO.	ITEM NO.
1	TIE, CABLE	9007031	5
1	LABEL, CABLE IDENT	9009532	4
AR	KEY	9009707	3
2	CONN. CRIMP	1211206-02	2
AR	CABLE, 10 CONDUCT	9107747-02	1

ANGLES	CLASS OF ACCURACY	NOMINAL DIMENSION RANGE INCHES				
30°	CHECK ONE	OVER .03 TO .06	OVER .06 TO .12	OVER .12 TO .30	OVER .30 TO 12.0	OVER 12.0 TO ∞
		±.004	±.006	±.012	±.018	±.030

THIRD ANGLE PROJECTION  
 REMOVE BURRS AND BREAK SHARP CORNERS  
 DO NOT SCALE DWG  
 MATERIAL SEE PARTS LIST  
 FINISH

DRN: M. BARTIST 5-20-75  
 CHK: D. HEALY 6-13-75  
 ENG: R. BARRY 6-12-75  
 PROJ. ENG: R. BARRY 6-12-75  
 PROD: A. PETERSON 6-19-75

FIRST USED ON  
 SEE LEGEND

TITLE  
**CABLE CONSOLE BACKPLANE**

SIZE CODE  
 D IA

NUMBER  
 7011411-0-0

REV. .W

SHEET 1 OF 1

REV.	CHG. NO.	BY	DATE	DESCRIPTION
1	1	M	26 JULY 77	REDRAWN & REVISED
2	1	K. DUGGAN	20 NOV 78	REVISED TO SHOW 3M CONNECTOR
3	1	F. ANTOI	22 MAR 79	REVISED TO SHOW 3M CONNECTOR
4	1	A. CHANIN	1 AUG 79	REVISED TO SHOW 3M CONNECTOR
5	1	L. SCHANIN	3 JUL 79	REVISED TO SHOW 3M CONNECTOR
6	1	D. SCHANIN	13 DEC 79	REVISED TO SHOW 3M CONNECTOR
7	1	D. BARRY	1 APR 80	REVISED TO SHOW 3M CONNECTOR
8	1	BOB SILVER	29 OCT 80	REVISED TO SHOW 3M CONNECTOR
9	1	J.S. COLE	11 JUNE 81	REVISED TO SHOW 3M CONNECTOR
10	1	M. BANGERT	11 JUNE 81	REVISED TO SHOW 3M CONNECTOR
11	1	HAY GRUDA	11 JUNE 81	REVISED TO SHOW 3M CONNECTOR
12	1	RAY GRUDA	11 JUNE 81	REVISED TO SHOW 3M CONNECTOR
13	1	RAY GRUDA	11 JUNE 81	REVISED TO SHOW 3M CONNECTOR
14	1	R. DAY	11 JUNE 81	REVISED TO SHOW 3M CONNECTOR
15	1	R. DAY	11 JUNE 81	REVISED TO SHOW 3M CONNECTOR

DIA 7011411-00

digital

TW 1

DRAWING NO.	NO. OF SHTS.	PART NO.	DESCRIPTION	REVISIONS																	
B-DD-543815-0	1		POWER DIST. BOARD	A																	
D-UA-543815-0-0	1		POWER DIST. BOARD	A																	
K-PL-543815-0-DBP	1		POWER DIST. BOARD	A																	
D-CS-543815-0-1	1		POWER DIST. BOARD	A																	
D-MD-503814-0-0	5		DRILL & ETCH DRAWING	A																	
D-EC-5013814-0-0	2		ETCH CUT DRAWING	A																	
		5013814	ETCHED BOARD	E																	
K-PC-543815-0-DBG			P/C DATA BASE	E																	

**NOTES:**

REVISIONS		DATE	CHG NO.	REV.
		11/80	ORGIN	A

THIS DRAWING AND SPECIFICATIONS, HEREIN, ARE THE PROPERTY OF DIGITAL EQUIPMENT CORPORATION AND SHALL NOT BE REPRODUCED OR COPIED OR USED IN WHOLE OR IN PART AS THE BASIS FOR THE MANUFACTURE OR SALE OF ITEMS WITHOUT WRITTEN PERMISSION.  
 COPYRIGHT © 1980 DIGITAL EQUIPMENT CORPORATION



USED ON OPTION/MODEL	DRN	J. Casly	11/19/80	TITLE	POWER DIST BOARD
	CHK	J. Casly	11/19/80	SIZE	DD
	ENG	A. Z...	12-9-80	CODE	543815-0
	PROD	P. Z...	12-18-80	NUMBER	
				REV.	A

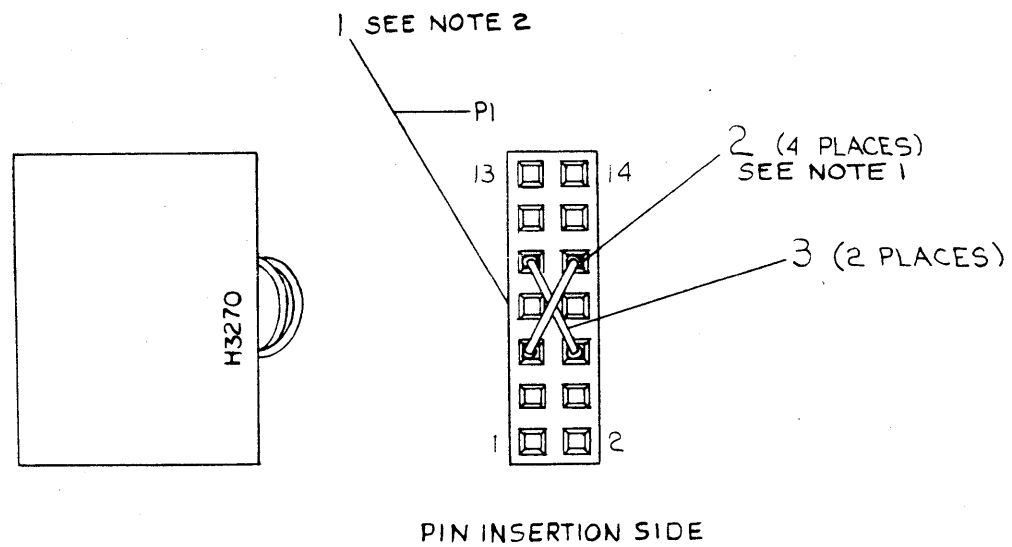
tw

"THIS DRAWING AND SPECIFICATIONS, HEREIN, ARE THE PROPERTY OF DIGITAL EQUIPMENT CORPORATION AND SHALL NOT BE REPRODUCED OR COPIED OR USED IN WHOLE OR IN PART AS THE BASIS FOR THE MANUFACTURE OR SALE OF ITEMS WITHOUT WRITTEN PERMISSION. COPYRIGHT © 1984, DIGITAL EQUIPMENT CORPORATION"

WIRE TABLE							
ITEM NO.	DESCRIPTION		FROM		TO		WIRE LENGTH
	AWG	COLOR	CONNECTION	WITH	CONNECTION	WITH	
3	22	YEL	PI-5	2	PI-10	2	2"
3	22	YEL	PI-6	2	PI-9	2	2"

NOTES:

- 12-10089-06 MAY BE SUBSTITUTED FOR ITEM #2.
- MARK H3270 WITH WHITE INK USING .125 CHARACTER SIZE WITH LETTERS FACING UP.



CAUTION: OFFSHEET PARTS LIST EXISTS. REFER TO K-PL-H3270-0-0-DBP.

ITEM NO.	DESCRIPTION	DWG./PART NO.	ITEM NO.
1	LABEL CABLE	9009532	4
A/R	WIRE 22AWG STRANDED YEL	9107350-44	3
4	CONN, SKT CRIMP	1210089-07	2
1	TERMINATOR, HSG 14 POS	1210918-30	1

DESCRIPTION		DWG./PART NO.	ITEM NO.
UNLESS OTHERWISE SPECIFIED DIMENSIONS ARE IN INCHES			
ANGLES ±0° 30'	CLASS OF ACCURACY	NOMINAL DIMENSION RANGE INCHES	
SURFACE QUALITY IN	(CHECK ONE)	OVER 0 TO 0.2	OVER 0.2 TO 0.5
		OVER 0.5 TO 1.2	OVER 1.2 TO 4.0
MICROINCHES	PREFERRED	±.004	±.008
		±.012	±.016

THIRD ANGLE PROJECTION

REMOVE BURRS AND BREAK SHARP CORNERS

DO NOT SCALE DWG

MATERIAL SEE PARTS LIST

FINISH NONE

DRN. *Ed Hill* 22 MAR 78

CHK'D *[Signature]* 5 APR 78

ENG. *[Signature]* 12 MAY 78

PROJ. ENG. *[Signature]* 12 MAY 78

PROD. *[Signature]* 12 MAY 78

FIRST USED ON DLVII-J

TITLE CONNECTOR, TEST

SIZE CODE C UA

NUMBER H3270-0-0

REV. A

SHEET 1 OF 1

DIST.

REVISIONS	CHANGE NO.	REV.
	H3270 - MLOO1	A
	<i>[Signature]</i>	
	C. GIROUARD	
	<i>[Signature]</i>	

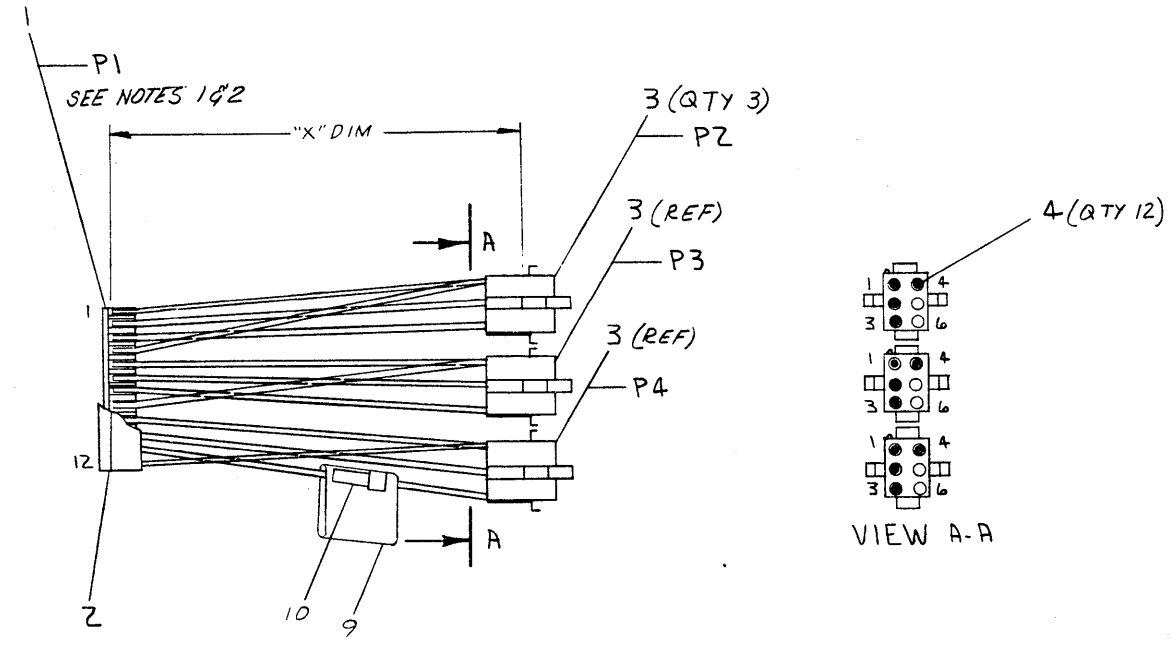


THIS DRAWING AND SPECIFICATIONS HEREAFTER ARE THE PROPERTY OF DIGITAL EQUIPMENT CORPORATION AND SHALL NOT BE REPRODUCED OR COPIED OR USED IN WHOLE OR IN PART AS THE BASIS FOR THE MANUFACTURE OR SALE OF THIS OR ANY OTHER EQUIPMENT WITHOUT WRITTEN PERMISSION OF DIGITAL EQUIPMENT CORPORATION.

WIRE TABLE							
ITEM NO	DESCRIPTION	FROM		TO		NOTES	
		AWG	COLOR	CONN	TERM		CONN
5	18	BLK	P1-1		P2-1	4	5.00IN ± .06
6		YEL	P1-2		P2-4		
7		VIO	P1-3		P2-3		
8		BRN	P1-4		P2-2		
5		BLK	P1-5		P3-1		
6		YEL	P1-6		P3-4		
7		VIO	P1-7		P3-3		
8		BRN	P1-8		P3-2		
5		BLK	P1-9		P4-1		
6		YEL	P1-10		P4-4		
7		VIO	P1-11		P4-3		
8	18	BRN	P1-12		P4-2	4	5.00IN ± .06

LEGEND	
NUMBER	"X" DIM
7016887-0E	5.0 ± .5IN

- NOTES
1. WIRES TERMINATING TO P1 MUST NOT BE STRIPPED.
  2. PLACE COVER, ITEM #2, OVER CONN HOUSING, ITEM #1, AFTER WIRES HAVE BEEN TERMINATED.
  3. STRIP WIRES ONLY ON P2, P3, P4 ENDS .187 BEFORE CRIMPING CONTACTS.
  4. ITEM #4 CAN BE SUBSTITUTED BY PIN 12-09379-00 FOR MACHINE CRIMPING.



ITEM NO.	DESCRIPTION	DWG./PART NO.	ITEM NO.
1	TIE, CABLE SSTI-M	9007031-00	10
1	LABEL, CABLE IDENTIFICATION	9009532-00	9
15"	WIRE, 18 AWG, BRN, UL 1430	9107786-11	8
15"	WIRE, 18 AWG, VIO, UL 1430	9107786-77	7
15"	WIRE, 18 AWG, YEL, UL 1430	9107786-47	6
5"	WIRE, 18 AWG, BLK, UL 1430	9107786-00	5
12	SKT, MATE-N-LOK, 20-14AWG	1209379-01	4
3	CONN, 6 PIN MATE-N-LOC	1209350-06	3
1	COVER, 12 PIN MTA CONN	1216650-00	2
1	CONN, HOUSING, 12 POS MTA	1216651-00	1

UNLESS OTHERWISE SPECIFIED DIMENSIONS ARE IN INCHES	
ANGLES ±0° 30'	CLASS OF ACCURACY
SURFACE QUALITY	(CHECK ONE)
QUANTITY & VARIATION	MEDIUM
MICROINCHES	PREFERRED

THIRD ANGLE PROJECTION

REMOVE BURRS AND BREAK SHARP CORNERS

DO NOT SCALE DWG

MATERIAL: //

FINISH: //

DRN: J. E. Sullivan

CHK'D: J. E. Sullivan

ENG: P. J. H. H.

PROJ. ENG: P. J. H. H.

PROD: J. E. Sullivan

FIRST USED ON: BAI-A digital

TITLE: CABLE JUMPER ASSEMBLY

DWG. NO: 0-0-2889102

SCALE: 1/1

SHEET: OF 1

SIZE: D

CODE: AD

NUMBER: 7016887-0-0

REV: A

REV.	CHANGE NO.	DATE
A	1	12/11/77

CHK: J. E. Sullivan

ENG: P. J. H. H.

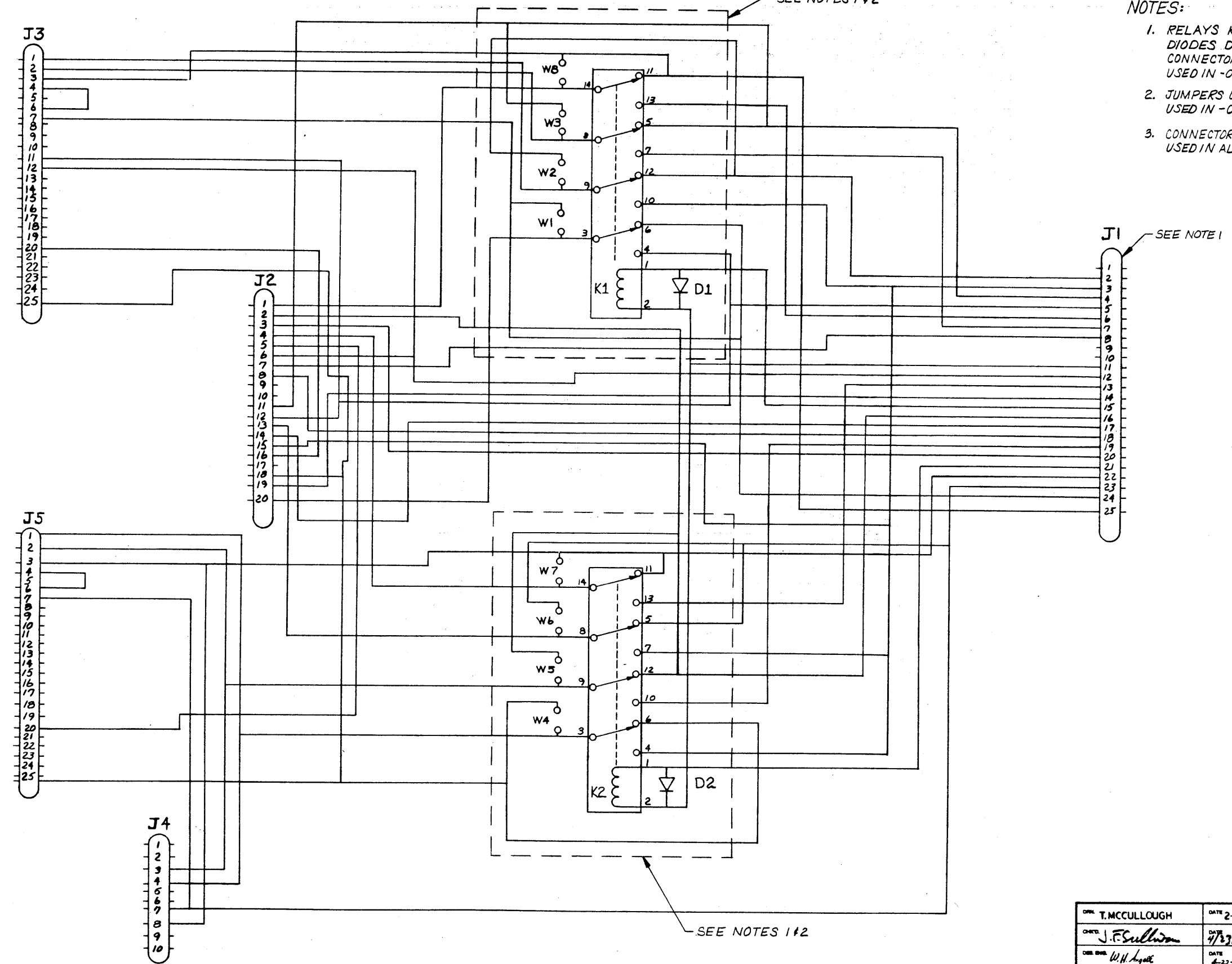
PROD: J. E. Sullivan

D AD 7016887-0-0

THIS DRAWING AND SPECIFICATIONS HEREIN ARE THE PROPERTY OF DIGITAL EQUIPMENT CORPORATION AND SHALL NOT BE REPRODUCED OR COPIED OR USED IN WHOLE OR IN PART AS THE BASIS FOR THE MANUFACTURE OR SALE OF ITEMS WITHOUT WRITTEN PERMISSION.  
COPYRIGHT © 1980 DIGITAL EQUIPMENT CORPORATION

D CS 5414218-0-1

- NOTES:
- RELAYS K1, K2  
DIODES D1, D2  
CONNECTOR J1  
USED IN -00 VARIATION ONLY
  - JUMPERS W1-W8  
USED IN -01 VARIATION ONLY
  - CONNECTORS J2, J3, J4 & J5  
USED IN ALL VARIATIONS



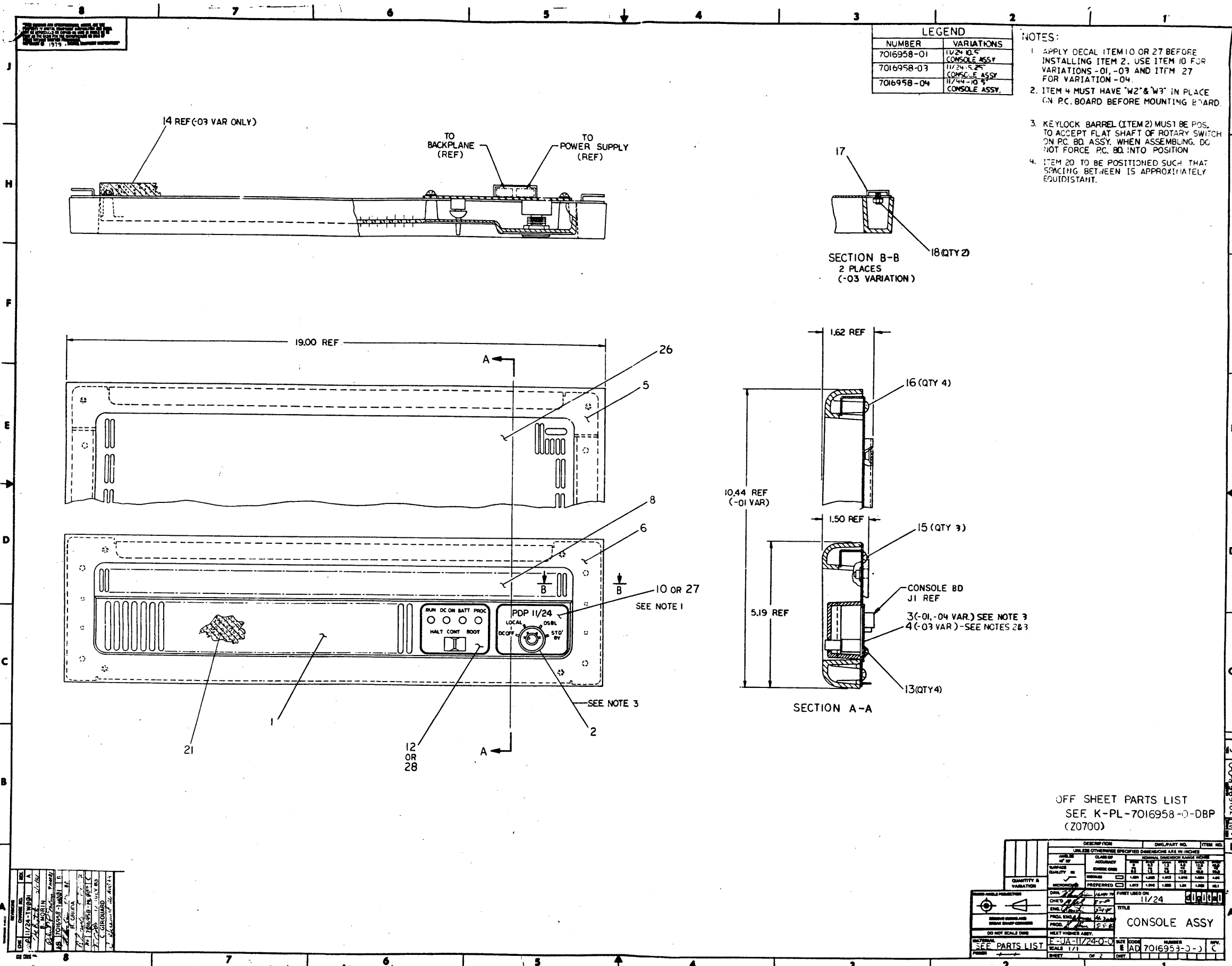
REV.	
ECO NUMBER	
DATE	

DRW. T.MCCULLOUGH	DATE 2-5-80	TITLE	digital
CHG. J.F.Sullivan	DATE 4/23/80	SLU INTERFACE	
DES. ENG. W.H. Lyall	DATE 4-22-80	DOCUMENT NUMBER	
REP. ENG. R.J. Brundage	DATE 5/7/80	SIZE	CODE
APP. ENG. A. Spier	DATE 5/7/80	D	CS
B-DD-5414218-0		NUMBER	1
		REV.	D
		SCALE	TW 1

D CS 5414218-0-1

B

A



LEGEND	
NUMBER	VARIATIONS
7016958-01	11/24 10.5 CONSOLE ASSY
7016958-03	11/24 10.5 CONSOLE ASSY
7016958-04	11/24 10.5 CONSOLE ASSY

- NOTES:
1. APPLY DECAL ITEM 10 OR 27 BEFORE INSTALLING ITEM 2. USE ITEM 10 FOR VARIATIONS -01, -03 AND ITEM 27 FOR VARIATION -04.
  2. ITEM 4 MUST HAVE 'W2' & 'W3' IN PLACE ON PC. BOARD BEFORE MOUNTING BOARD.
  3. KEYLOCK BARREL (ITEM 2) MUST BE POS. TO ACCEPT FLAT SHAFT OF ROTARY SWITCH ON PC. BD. ASSY. WHEN ASSEMBLING, DO NOT FORCE PC. BD. INTO POSITION.
  4. ITEM 20 TO BE POSITIONED SUCH THAT SPACING BETWEEN IS APPROXIMATELY EQUIDISTANT.

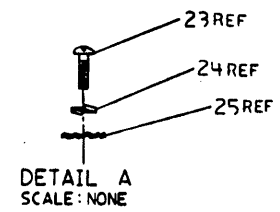
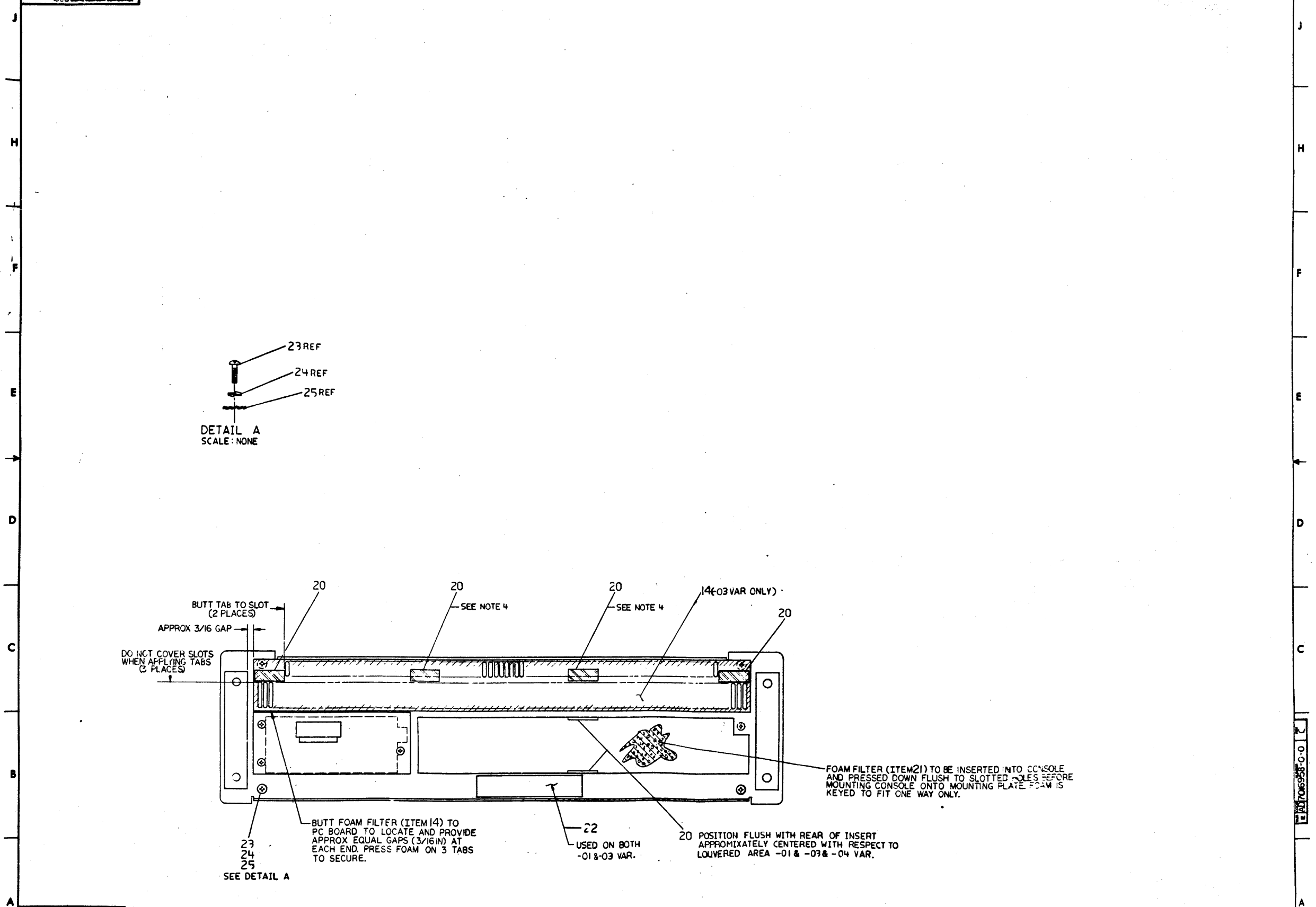
REV	DATE	BY	CHKD	DESCRIPTION
1	11/24/68	J. A.		ISSUED FOR PRODUCTION
2	11/24/68	B. MORIN		REVISED TO ADD DECAL
3	11/24/68	R. G. GRIFFIN		REVISED TO ADD DECAL
4	11/24/68	C. G. GRIFFIN		REVISED TO ADD DECAL
5	11/24/68	C. G. GRIFFIN		REVISED TO ADD DECAL

OFF SHEET PARTS LIST  
 SEE K-PL-7016958-D-DBP  
 (Z0700)

DESCRIPTION		QTY	UNIT USED ON
10 OR 27	DECAL	1	11/24
12 OR 28	DECAL	1	11/24
13	KEYLOCK BARREL	4	11/24
14	KEYLOCK BARREL	1	11/24
15	KEYLOCK BARREL	3	11/24
16	KEYLOCK BARREL	4	11/24
17	KEYLOCK BARREL	1	11/24
18	KEYLOCK BARREL	2	11/24
19	KEYLOCK BARREL	1	11/24
20	KEYLOCK BARREL	1	11/24
21	KEYLOCK BARREL	1	11/24
22	KEYLOCK BARREL	1	11/24
23	KEYLOCK BARREL	1	11/24
24	KEYLOCK BARREL	1	11/24
25	KEYLOCK BARREL	1	11/24
26	KEYLOCK BARREL	1	11/24
27	KEYLOCK BARREL	1	11/24
28	KEYLOCK BARREL	1	11/24

CONSOLE ASSY	
7016958-01	CONSOLE ASSY

ALL DIMENSIONS AND SPECIFICATIONS UNLESS NOTED TO THE CONTRARY ARE TO BE MAINTAINED TO THE CLOSEST TOLERANCE PERMITTED BY THE MANUFACTURING PROCESS AND MATERIALS USED.



23 REF  
24 REF  
25 REF  
DETAIL A  
SCALE: NONE

20  
BUTT TAB TO SLOT (2 PLACES)  
APPROX 3/16 GAP  
DO NOT COVER SLOTS WHEN APPLYING TABS (3 PLACES)

20  
SEE NOTE 4

20  
SEE NOTE 4

14-03 VAR ONLY

20

23  
24  
25  
SEE DETAIL A

BUTT FOAM FILTER (ITEM 14) TO PC BOARD TO LOCATE AND PROVIDE APPROX EQUAL GAPS (3/16 IN) AT EACH END. PRESS FOAM ON 3 TABS TO SECURE.

22  
USED ON BOTH -01 & -03 VAR.

20  
POSITION FLUSH WITH REAR OF INSERT APPROXIMATELY CENTERED WITH RESPECT TO LOUVERED AREA -01 & -03 & -04 VAR.

FOAM FILTER (ITEM 21) TO BE INSERTED INTO CONSOLE AND PRESSED DOWN FLUSH TO SLOTTED HOLES BEFORE MOUNTING CONSOLE ONTO MOUNTING PLATE. FOAM IS KEYPED TO FIT ONE WAY ONLY.

REVISION HISTORY		
DATE	BY	REV

LINE	ITEM	DOCUMENT NUMBER	PART NUMBER	DESCRIPTION	QUANTITY PER VARIATION	
					01	03
1	1	E-IA-7424269-0-0	7424269-00	CONSOLE INSERT	1	1
2	2	A-PS-1216178-0-0	1216178-00	LOCK,PLASTIC 4POS ASSY	1	1
3	3	D-UA-5414441-0-0	5414441-00	11/24 CONSOLE	1	0
4	4	D-UA-5413885-0-0	5413885-02	CONSOLE MODULE, 2 JUMPERS	0	1
5	5	E-PS-1217094-0-0	1217094-00	BEZEL,PLASTIC 11-44	1	0
6	6	E-IA-7424270-0-0	7424270-00	BEZEL	0	1
7	7	E-IA-7423578-0-0	7423578-00	PLATE, MOUNTING 10.5	1	0
8	8	E-IA-7423577-0-0	7423577-00	PLATE MTG 5.25	0	1
9	9	BLANK		*** THIS ITEM IS NOT USED ***	-	-
10	10	A-PS-3617320-0-0	3617320-00	LABEL,LEGEND STRIP KE	1	1
11	11	BLANK		*** THIS ITEM IS NOT USED ***	-	-
12	12	A-PS-3617324-0-0	3617324-00	LABEL,LEGEND STRIP PDF 11/24 LED	1	1
13	13		9009984-02	SCREW, SEMS, PHILLIPS PAN HD, 6-	4	4
14	14	A-PS-1217665-0-0	1217665-02	FILTER,FOAM 5PPI 16.60 X 1.85 X	0	1
15	15		9009545-01	SCREW,PAN,PHIL,SEMS 8-32X 1/2	0	4
16	16		9010119-00	SCREW, PHILLIPS TRUSS HD, 10-32	4	4
17	17	B-IA-7423576-0-0	7423576-00	BAR ADPT.	0	2
18	18		9006560-00	NUT,KEP , 6-32 X5/16AF	0	4
19	19	BLANK		*** THIS ITEM IS NOT USED ***	-	-
20	20	B-MD-7424246-0-0	7424246-00	TAPE HOOK ADHESIVE BACK	0	3
21	21		1217665-01	FILTER,FOAM 11.5X1.85X1/2 5PPI	1	1
22	22		9009255-00	LABEL, POWER SUPPLY, 2-15/16 " L	1	1

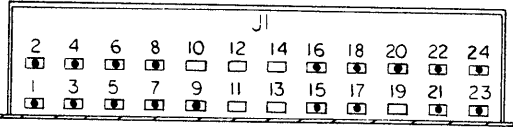
REVISION HISTORY			BASIC PART NO: 7016958			DRN: M. BAPTISTE			DATE: 11-FEB-81			DIGITAL		
ENG	ECO NUMBER	REV	SECTION A OF A	CHK'D:	R. J. RILEY	DATE:	11-FEB-81	TITLE	PARTS LIST					
---	INITIAL	A	SECTION, VARIATION INDEX					CONSOLE ASSEMBLY						
---	INITIAL	A	[A] 01,03											
IRM	11/24-TW001	A												
IRM	11/24-TW001	A	[B]	DES.ENG.:	R. MORIN	DATE:	11-FEB-81							
			[C]	RESP.ENG.:	R. MORIN	DATE:	11-FEB-81	DOCUMENT NUMBER						
			[D]					SIZE	CODE	NUMBER	REV			
			[E]	MFG.ENG.:	R. GRUDA	DATE:	11-FEB-81	K	PL	7016958-0-DRP	A			
			[F]	ASSEMBLY NUMBER:		TOP DOCUMENT NUMBER:		FILE NAME:	EDIT #					
				E-AD-7016958-0-0		E-UA-1124-0-0		Z0700.FLS	45					

"THIS DRAWING AND SPECIFICATIONS HEREIN, ARE THE PROPERTY OF DIGITAL EQUIPMENT CORPORATION AND SHALL NOT BE REPRODUCED OR COPIED OR USED IN WHOLE OR IN PART AS THE BASIS FOR THE MANUFACTURE OR SALE OF ITEMS WITHOUT WRITTEN PERMISSION. COPYRIGHT (C) 1981. DIGITAL EQUIPMENT CORPORATION"

TW

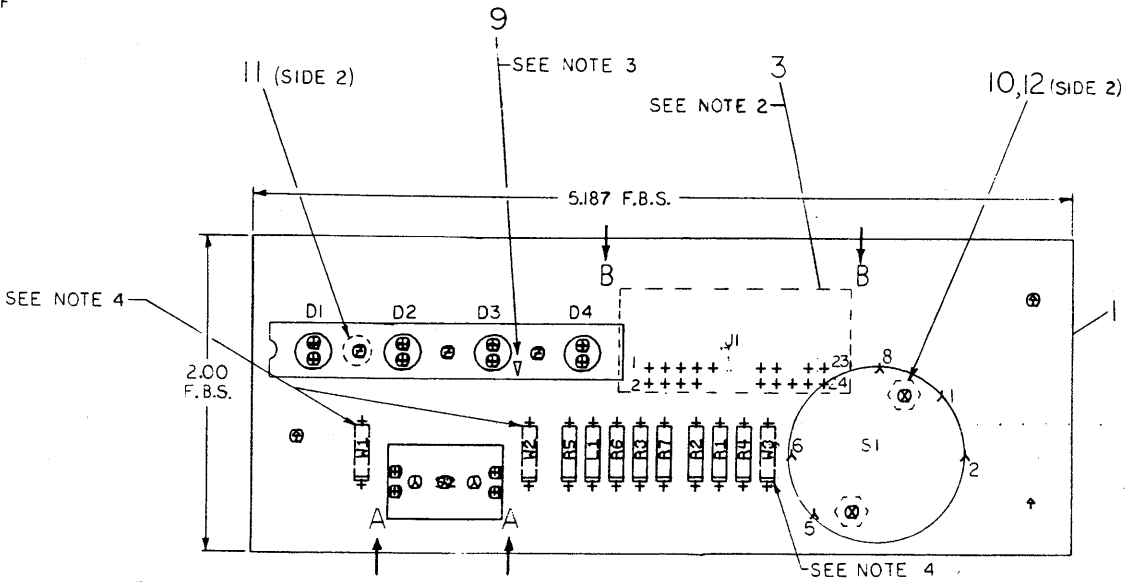
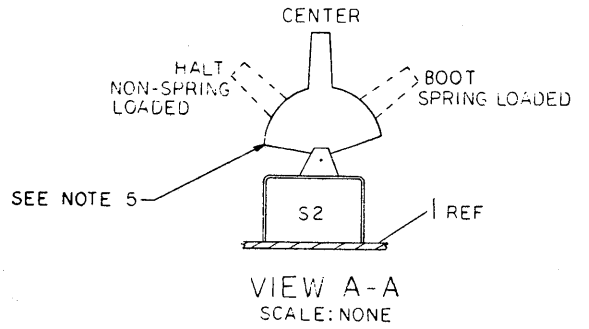
THIS DRAWING AND SPECIFICATIONS, IN whole or in part, are the property of Digital Equipment Corporation and shall not be reproduced or used in whole or in part for any other purpose without the written permission of Digital Equipment Corporation.

COMPONENT SIDE VIEW



NOTE:  
 -NO PIN INSERTED IN CONNECTOR  
 -PIN INSERTED IN CONNECTOR

VIEW B-B  
 SCALE: NONE



- NOTES:**
- STEP 3 REPEAT 2ML 33.
  - J1 CONNECTOR IS MOUNTED ON SIDE 2.
  - COMPONENT ORIENTATION MARK.
  - JUMPER W1 IS USED ON VARIATION -00 & 01. W2 IS USED ON -00 & 02. W3 IS USED ON -00 & -02.
  - MOUNT S2 W/SPRING LOAD POSIT. TOWARD S1.
- |        |                |        |       |
|--------|----------------|--------|-------|
| STEP E | ↑ Y AXIS 2.125 | STEP 3 | TIMES |
| REPEAT | → X AXIS 5.250 | STEP 1 | TIMES |

CH	CHANGE NO	REV

ETCH REV.	C

<b>SIGNATURES</b>		<b>DATE</b>	digital
DRN. P. J. ...	CHK'D. E. T. GERRY	2-20-80	
MECH. ENG. ...	PROJ. ENG. ...	PROD. ...	TITLE CONSOLE BOARD
SCALE 2/1	SHT. 1 OF 1	NEXT HIGHER ASSY. B-DD-5413885-0	SIZE CODE NUMBER REV 0 U.A. 5413885-0-0 B

LINE ITEM	DOCUMENT NUMBER	PART NUMBER	DESCRIPTION	QTY PER VARIATION			REFERENCE DESIGNATOR	
				00	01	02		
1	1	D-MD-5013884-0-0	5013884-00	DRILL AND ETCH BRD	1	1	1	
2	2		1110864-00	LED 2MCD@10MA	4	4	4	D1-D4
3	2		1213506-06	HEADER 6POS RT ANGLE	1	1	1	J1
4	4		1216180-00	SW,ROT 2P 4POS,45DEG. TH	1	1	1	S1
5	5		1216179-00	SW,LEVER 1P ON/OFF/ON	1	1	1	S2
6	6		1300229-00	100.0 .25 W 5.0 % CC	3	3	3	R1,R2,R7
7	7		1300316-00	470.0 .25 W 5.0 % CC	4	4	4	R6,R3-R5
8	8		1601562-00	1.0 UH 10% 475MA #DD1.00	1	1	1	L1
9	9		7413127-00	HOLDER REWORK LED (11/70)	1	1	1	
10	10		9006555-00	NUT,HEX , 2-56X3/16AF X 1/	2	2	2	
11	11		9009236-01	SCREW,TAPPING,TYPE F,PAN ,PHIL,	3	3	3	
12	12		9009321-00	LOCK TITE, SCREW LOCK, 10CC PER	A/R	A/P	A/P	
13	13		9009185-00	JUMPER, WIRE, INSULATED, BLACK B	3	-	-	W1-W3
			CONT		-	1	-	W1
			CONT		-	-	2	W2,W3

REVISION HISTORY		BASIC PART NO: 5413885		DRN: J.CASEY	DATE: 20-FEB-80	D I G I T A L				
ENG	ECO NUMBER	REV	SECTION A OF A	CHK'D: E.T.GERRY	DATE: 20-FEB-80	TITLE		PARTS LIST		
---	INITIAL	B	SECTION VARIATION INDEX			CONSULE MODULE				
			(A) 00,01,02	DES.ENG: D.LANDRY	DATE: 3-20-80					
			(B)	RESP.ENG.: P.GRUDA	DATE: 5-JUNE-80	DOCUMENT NUMBER				
			(C)			SIZE	CODE	NUMBER	REV	
			(D)	MFG.ENG.: G.ABREU	DATE: 5-JUNE-80	K	PL	5413885-0-DBP	B	
			(E)	ASSEMBLY NUMBER:	TOP DOCUMENT NUMBER:	FILE NAME:		EDIT #		
			(F)	D-UA-5413885-0-0		Z1267B.PLS		9		
			(G)							
			(H)							
			(I)							
			(J)							
			(K)							
			(L)							
			(M)							
			(N)							

"THIS DRAWING AND SPECIFICATIONS HERFIN, ARE THE PROPERTY OF DIGITAL EQUIPMENT CORPORATION AND SHALL NOT BE REPRODUCED OR COPIED OR USED IN WHOLE OR IN PART AS THE BASIS FOR THE MANUFACTURE OR SALE OF ITEMS WITHOUT WRITTEN PERMISSION. COPYRIGHT (C) 1980. DIGITAL EQUIPMENT CORPORATION."

TU

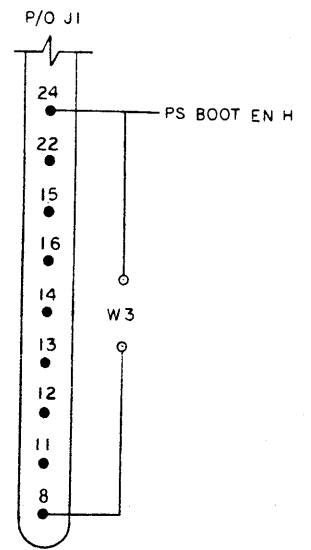
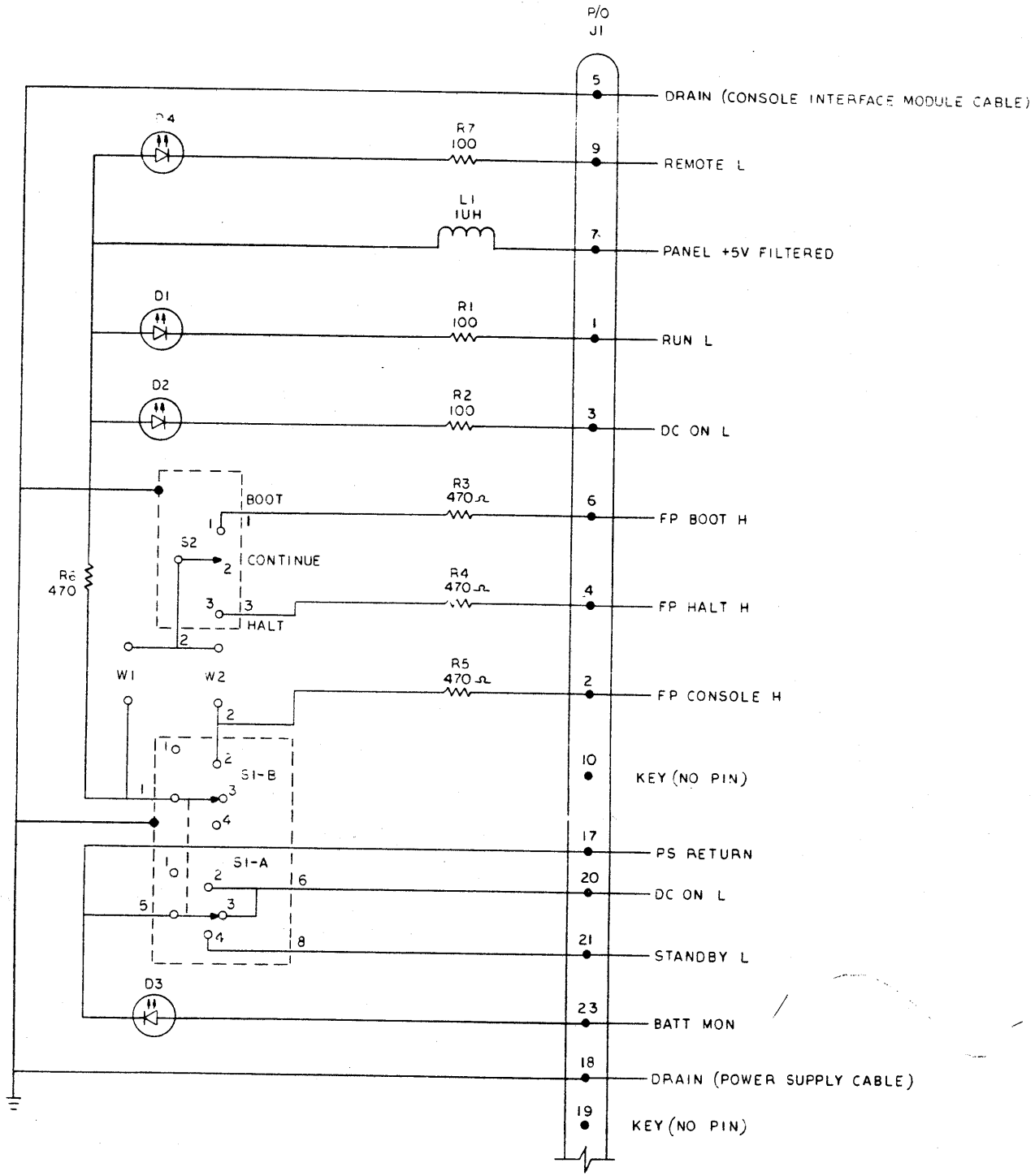
THIS DRAWING AND SPECIFICATIONS HEREIN ARE THE PROPERTY OF DIGITAL EQUIPMENT CORPORATION AND SHALL NOT BE REPRODUCED OR COPIED OR USED IN WHOLE OR IN PART AS THE BASIS FOR THE MANUFACTURE OR SALE OF ITEMS WITHOUT WRITTEN PERMISSION.  
 COPYRIGHT © 1979 DIGITAL EQUIPMENT CORPORATION

CS 5413885-0-1 2

W3	W2	W1	VARIATION
IN	IN	IN	CONSOLE MODULE 5413885-0C
OUT	OUT	IN	CONSOLE MODULE 5413885-01
IN	IN	OUT	11/24 5413885-02

NOTE: THESE ARE THE ONLY CONFIGURATIONS OF THIS MODULE.

SI-	FUNCTION
A1	DC OFF
B1	NONE
A2	DC ON
B2	LOCAL
A3	DC ON
B3	LOCAL DISABLE
A4	STANDBY
B4	NONE



REV.	CHANGE NO.

DRN: <i>[Signature]</i>	3 NOV 79	FIRST USED ON	11/24	<b>digital</b>
CHK'D: <i>[Signature]</i>	5-10-80	TITLE	CONSOLE MODULE	
PROJ. ENG: <i>[Signature]</i>	6/5/80	SCALE	D CS 5413885-0-1 B	
PROD. <i>[Signature]</i>		SHEET	1	OF 1
NEXT HIGHER ASSY.	D-UA-5413885-0-0	SIZE	D	CODE
SCALE		NUMBER	CS 5413885-0-1	REV.
		DIST.		B



8

7

6

5

4

3

0-0-111111S 2

1

THIS DRAWING AND SPECIFICATIONS HEREBY ARE THE PROPERTY OF DIGITAL EQUIPMENT CORPORATION AND SHALL NOT BE REPRODUCED OR TRANSMITTED IN ANY FORM OR BY ANY MEANS, ELECTRONIC OR MECHANICAL, INCLUDING PHOTOCOPYING, RECORDING, OR BY ANY INFORMATION STORAGE AND RETRIEVAL SYSTEM.

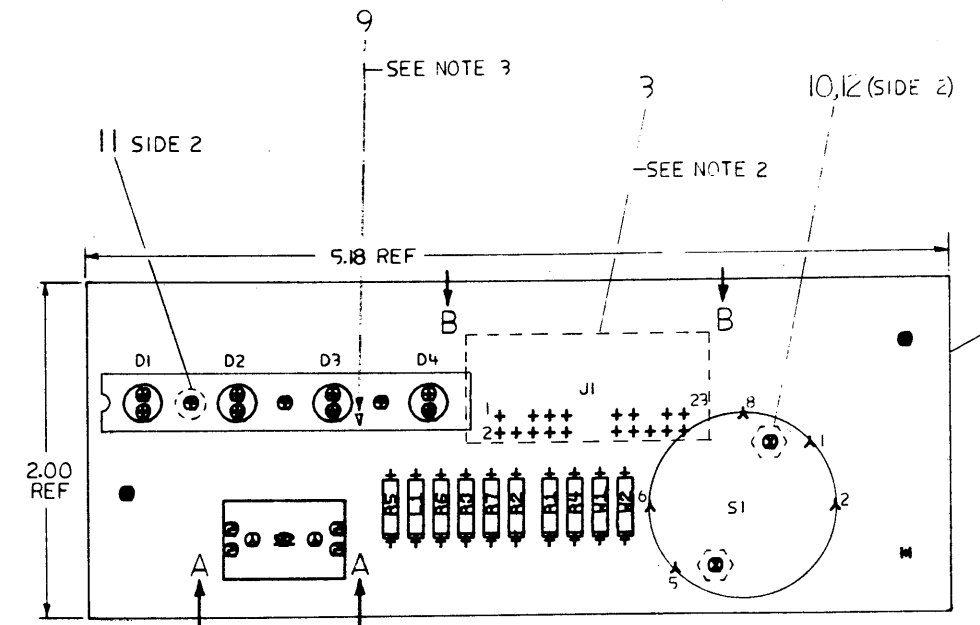
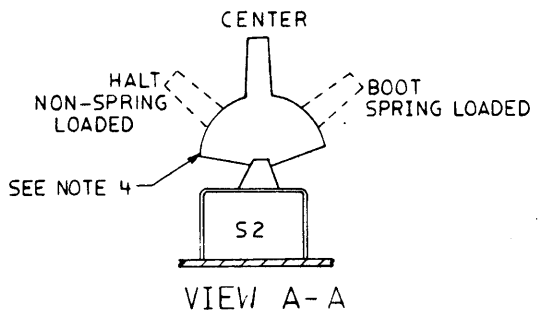
COMPONENT SIDE VIEW

J1											
2	4	6	8	10	12	14	16	18	20	22	24
□	□	□	□	□	□	□	□	□	□	□	□
1	3	5	7	9	11	13	15	17	19	21	23
□	□	□	□	□	□	□	□	□	□	□	□

NOTE:

- - NO PIN INSERTED IN CONNECTOR
- ◻ - PIN INSERTED IN CONNECTOR

VIEW B-B  
SCALE: NONE



NOTES:

- STEP 3 REPEAT 2ML33.
- J1 COIN IS MOUNTED ON SIDE 2.
- COMPONENT ORIENTATION MARK.
- MOUNT S2 W/SPRING LOAD POSITION TOWARD ST.

STEP 6	+ Y AXIS 2.125	STEP 3	TINES
REPEAT	+ X AXIS 5.250	STEP 1	TINES

CHG	NO	REV

ETCH REV.	A

SIGNATURES		DATE	digital
DRN. P. J. ...		2 JUL 80	
CHK'D. P. ...		29 JUL 80	TITLE
MECH. ENG. P. ...		29 JUL 80	
PROJ. ENG. P. ...		29 JUL 80	11/24 CONSOLE
PROD. G. ...			
SCALE 2:1	SIZE CODE	NUMBER	REV
SHT. 1 OF 1	0 UA	5414441-0-0	A
NEXT HIGHER ASSY. 8-DD-5414441-0			

8

7

6

5

4

3

2

7 1 MS# 170305



LINE	ITEM	DOCUMENT NUMBER	PART NUMBER	DESCRIPTION	QTY PER VARIATION	REFERENCE DESIGNATOR
1	1	D-MD-50144-0-0-0	5014440-00	DRILL AND ETCH BRD 11/24 CONSOLE	1	
2	2		1110864-00	LED 2MCD@10MA	4	D1-D4
3	3		1213506-09	HEADFH 24POS RT ANGLE	1	J1
4	4		1216184-00	SW,ROT 2P 4POS,45DEG. TH	1	S1
5	5		1216179-00	SW,LEVER 1P ON/OFF/ON	1	S2
6	6		1300229-00	100.0 .25 W 5.0 % CC	3	R1,R2,R7
7	7		1300316-00	470.0 .25 W 5.0 % CC	4	R3-R5,R6
8	8		1601562-00	1.0 UH 10% 475MA #DD1.00	1	L1
9	9		7413127-00	HOLDER REWORK LED (11/70)	1	
10	10		9006555-00	NUT,HEX , 2-56X3/16AF X 1/	2	
11	11		9009236-01	SCREW,TAPPING,TYPE F,PAN,PHIL,	3	
12	12		9009321-00	LOCK TIE, SCREW LOCK, 10CC PER	A/R	
13	13		9009185-00	JUMPER, WIRE, INSULATED, BLACK B	2	W1,W2

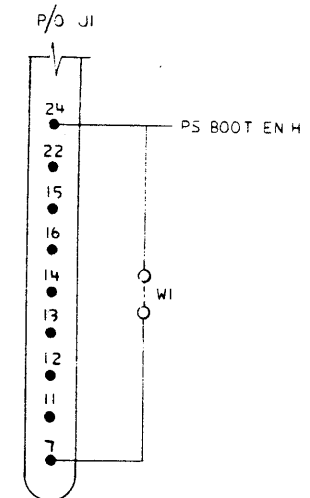
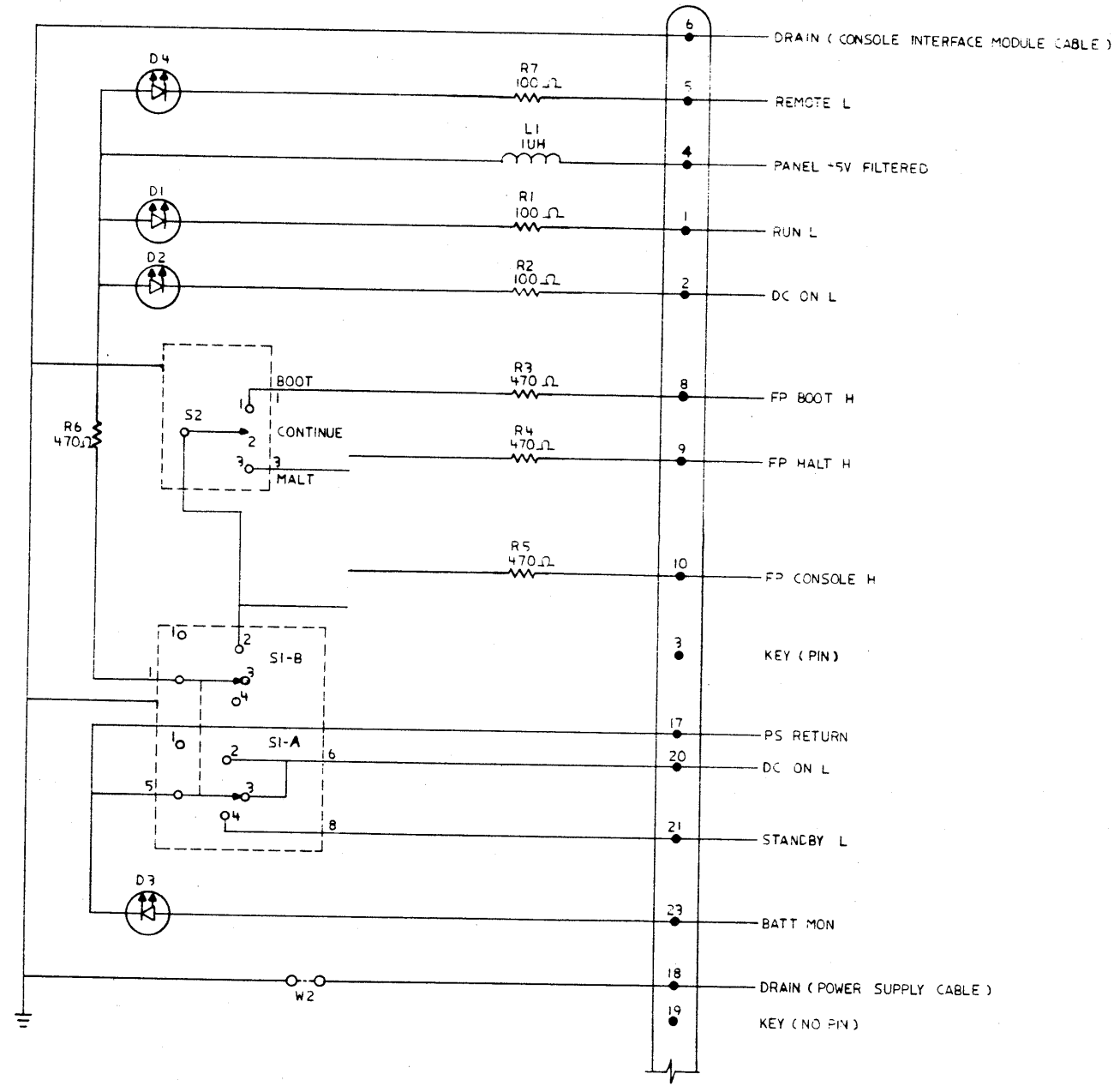
REVISION HISTORY		BASIC PART NO: 5414441		DPN:	J.CASEY	DATE:	18-DEC-80	DIGITAL			
ENG:	ECO NUMBER	REV	SECTION A OF A	CHK'D:	E.T.GERRY	DATE:	18-DEC-80	TITLE PARTS LIST			
---	INITIAL	A	SECTION VARIATION INDEX					11/24 CONSOLE MODULE			
			(A) 00	DES.ENG:	R.SILVER	DATE:	18-DEC-80	DOCUMENT NUMBER			
			(B)					SIZE	CODE	NUMBER	REV
			(C)	RESP.ENG.:	R.GRUDA	DATE:	18-DEC-80				
			(D)								
			(E)	MFG.ENG.:	G.ABRUE	DATE:	18-DEC-80	K	PL	5414441-0-DBP	A
			(F)	ASSEMBLY NUMBER:		TOP DOCUMENT NUMBER:		FILE NAME:		EDIT #	
			(G)	ID-DA-5414441-0-0				Z1275A.PLS		4	
			(H)								
			(I)								
			(J)								
			(K)								
			(L)								
			(M)								
			(N)								

"THIS DRAWING AND SPECIFICATIONS HEREIN, ARE THE PROPERTY OF DIGITAL EQUIPMENT CORPORATION AND SHALL NOT BE REPRODUCED OR COPIED OR USED IN WHOLE OR IN PART AS THE BASIS FOR THE MANUFACTURE OR SALE OF ITEMS WITHOUT WRITTEN PERMISSION. COPYRIGHT (C) 1980, DIGITAL EQUIPMENT CORPORATION"

TW

THIS DRAWING AND SPECIFICATIONS HEREIN ARE THE PROPERTY OF DIGITAL EQUIPMENT CORPORATION AND SHALL NOT BE REPRODUCED OR COPIED OR USED IN WHOLE OR IN PART AS THE BASIS FOR THE MANUFACTURE OR SALE OF ITEMS WITHOUT WRITTEN PERMISSION.  
COPYRIGHT © 1980  
DIGITAL EQUIPMENT CORPORATION

SL	FUNCTION
A1	DC OFF
B1	NONE
A2	DC ON
B2	LOCAL
A3	DC ON
B3	LOCAL DISABLE
A4	STANDBY
B4	NONE



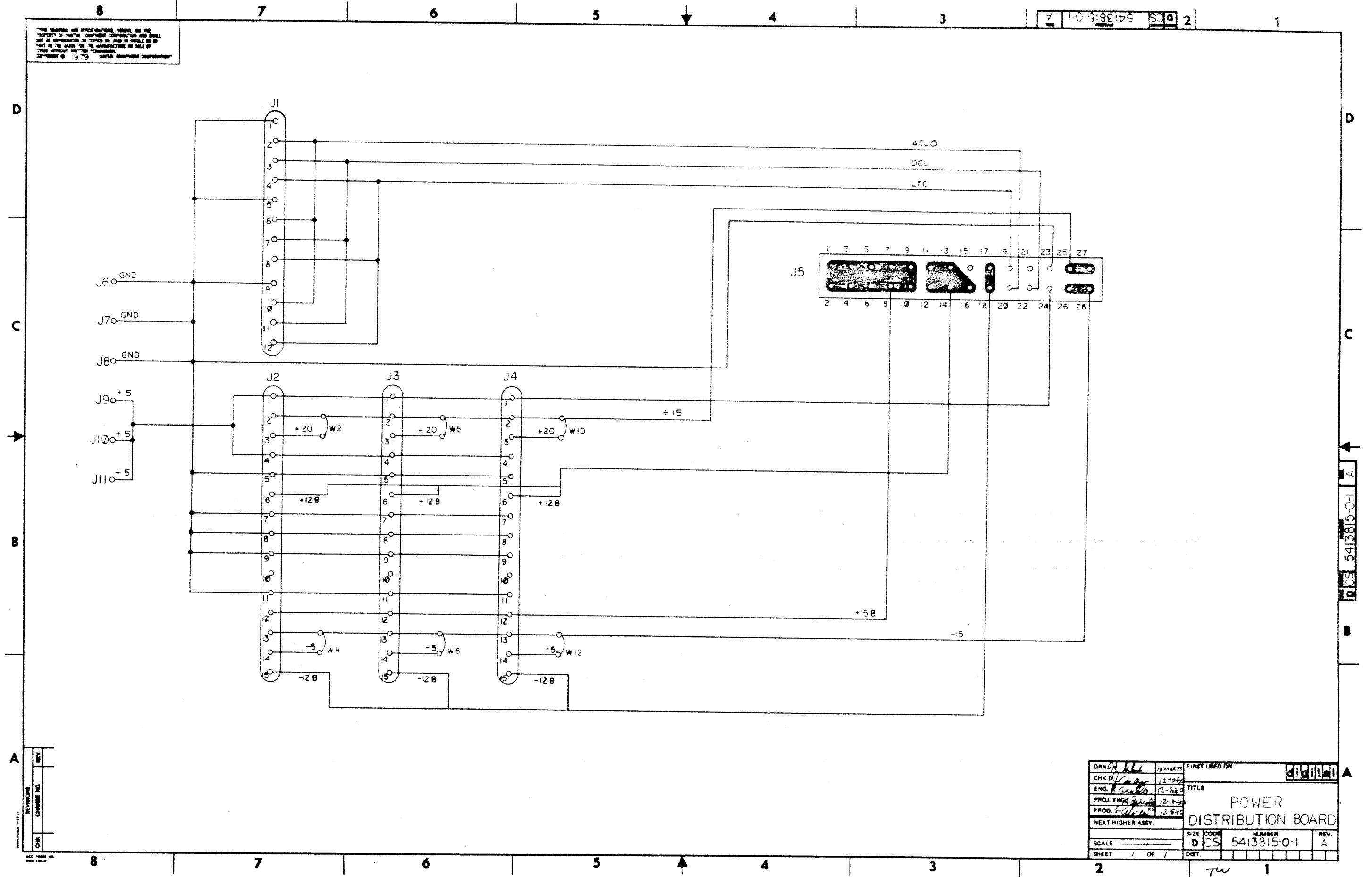
REV	DATE	DESCRIPTION

DATE	5-15-80	TITLE	digital
DATE	6-29-80	CONSOLE MODULE	
DATE	12-18-80		
DATE	12-18-80		
DATE	12-18-80		
D-UA-541441-0-0		SCALE	++

REV A  
D CS 541441-0-1

THIS DRAWING AND SPECIFICATIONS HEREBY ARE THE PROPERTY OF MILITARY EQUIPMENT CORPORATION AND SHALL NOT BE REPRODUCED OR COPIED IN WHOLE OR IN PART WITHOUT WRITTEN PERMISSION.  
 MILITARY EQUIPMENT CORPORATION  
 1979

7 10-5183159 5413815-01 2



REV.	
CHK	
CHANGE NO.	
REV.	

DRN'D	13-AE-79	FIRST USED ON	
CHK'D	12-10-80	TITLE	POWER DISTRIBUTION BOARD
ENG.	R-550	NUMBER	5413815-0-1
PROJ. ENG.	12-15-80	REV.	A
PROD. ENGR.	12-5-80		
NEXT HIGHER ASSY.			
SCALE			
SHEET	1 OF 1		

5413815-0-1 A

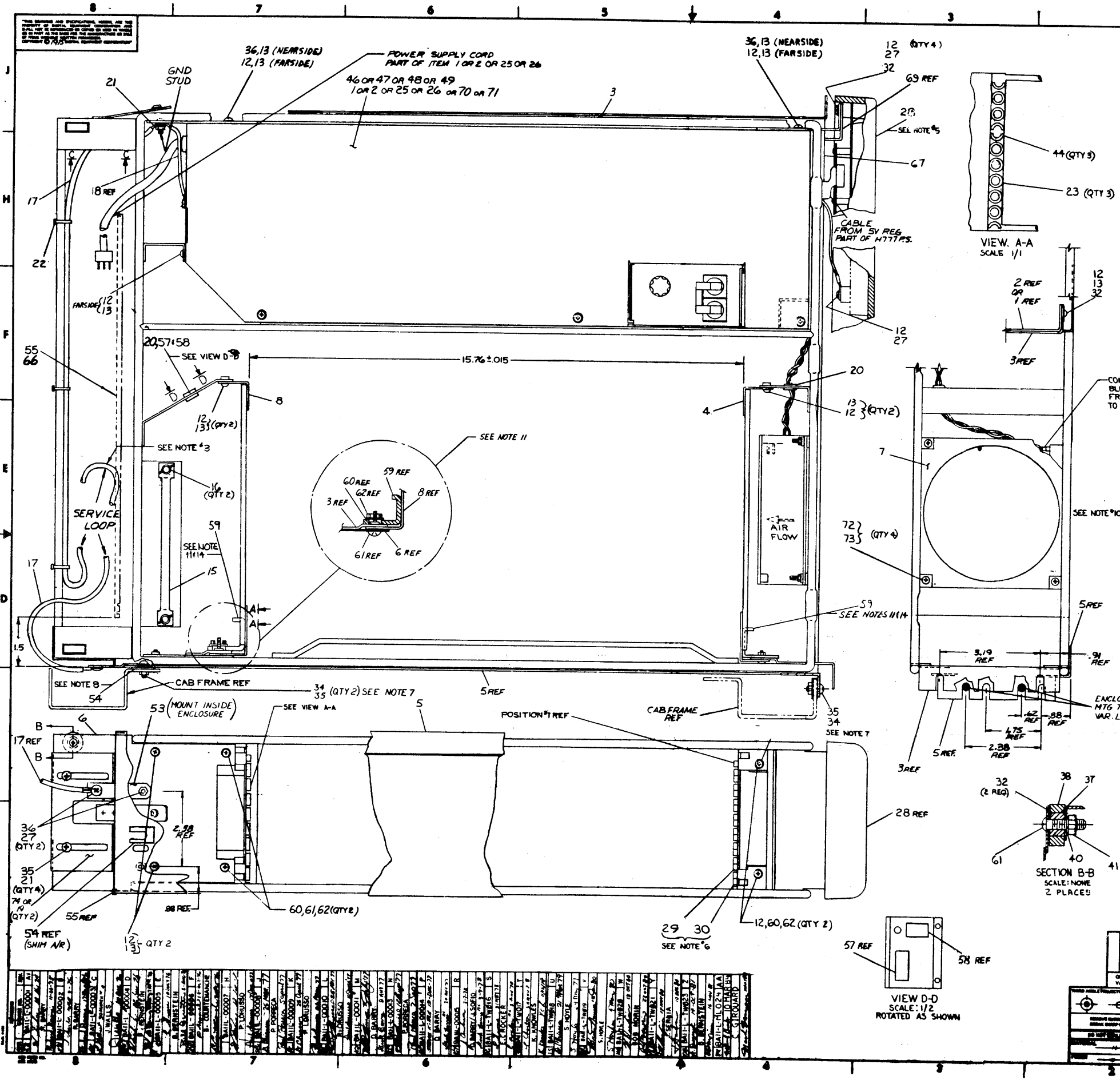
7W 1

LINE ITEM	DOCUMENT NUMBER	PART NUMBER	DESCRIPTION	QTY PER VARIATION	REFERENCE DESIGNATOR
1	1	5013814-00	EXPANSION DIST BOARD	1	
2	2	1229350-15	MATE-N-LOK 15POS COMM MSG,SKT	3	J2,J3,J4
3	3	1229350-06	*** THIS ITEM IS NOT USED ***	-	
4	4	1216112-01	HEADER,100 28POS RT ANGLE	1	J5
5	5	1214809-01	INSERT,W/O INTERNAL THREADS,THRU	6	J6-J11
6	6	9009185-00	JUMPER, WIRE, INSULATED, BLACK B	6	#2,#4,#6,#8,#10,#12
7	7	1229456-01	MATE-N-LOK SKT COMM PC MTG LOUSE	45	
8	8	9107786-00	*** THIS ITEM IS NOT USED ***	-	
9	9	1216652-00	CONN 12POS STRAIGHT	1	J1

REVISION HISTORY		BASIC PART NO: 5413815		DRN:	J.CASEY	DATE:	18-DEC-80	DIGITAL			
ENG	ECO NUMBER	REV	SECTION A OF A	CHK'D:	J.FERGUSON	DATE:	18-DEC-80	TITLE PARTS LIST			
---	INITIAL	A	SECTION VARIATION INDEX	CHK'D:	J.FERGUSON	DATE:	18-DEC-80	POWER DISTRIBUTION BOARD			
			(A) 00					DOCUMENT NUMBER			
			(B)	DES.ENG:	P.SILVER	DATE:	18-DEC-80	SIZE CODE NUMBER REV			
			(C)					K PL 5413815-0-DBP A			
			(D)	RESP.ENG.:	P.GRUDA	DATE:	18-DEC-80	ASSEMBLY NUMBER: TOP DOCUMENT NUMBER: FILE NAME: EDIT #			
			(E)					D-UA-5413815-0-0 21274A.PLS 11			
			(F)								
			(G)								
			(H)								
			(I)								
			(J)								
			(K)								
			(L)								
			(M)								
			(N)								

"THIS DRAWING AND SPECIFICATIONS HEREIN, ARE THE PROPERTY OF DIGITAL EQUIPMENT CORPORATION AND SHALL NOT BE REPRODUCED OR COPIED OR USED IN WHOLE OR IN PART AS THE BASIS FOR THE MANUFACTURE OR SALE OF ITEMS WITHOUT WRITTEN PERMISSION. COPYRIGHT (C) 1980, DIGITAL EQUIPMENT CORPORATION"

TW



**NOTES:**

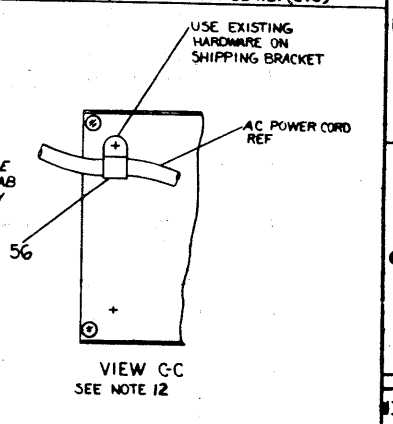
1. ~~CABINET TO BE INDICATED BY PART NUMBER PREFIX~~
2. ~~USE ITEM #17 TO NO NETWORK IS REQUIRED~~
3. ITEM #17 SERVICE LOOP SHOULD BE 24 INCHES.
4. BAI-LA, LB, LC, LD, LK, LL, LM AND LN (MANUFACTURING USE ONLY). BAI-LE, LF, LH AND LJ (ENHANCED EXPANSION BOX).
5. ADD CONSOLE FOR EXPANSION BOX ONLY.
6. ALTERNATE COLORS: POSITIONS 1, 3, 5, 7 & 9 TO HAVE MAGENTA. POSITIONS 2, 4, 6, & 8 TO HAVE NATURAL.
7. HARDWARE FOR MOUNTING ITEM 5 (ENCLOSURE ASSEMBLY) TO CABINET.
8. ITEM #54 TO BE USED A/R TO TAKE UP ANY GAP PRESENT BETWEEN ENCLOSURE AND CABINET UPRIGHTS.
9. STRAIN RELIEF POWER CORD ON ENCLOSURE THAT HAVE REMOVED ARE CONDUCTIVE SHOWN.
10. EXPANDER BOX VERSIONS BAI-LE, LF, LH & LJ CANNOT BE CONFIGURED WITH 4 OR 9 SLOT BACKPLANS THAT HAVE POWER HARNESS ROUTED ALONG BOTTOM (SLOT 9). A WIRE STRIPPING HAZARD WOULD EXIST IF THESE COMBINATIONS WERE CONFIGURED AS SUCH. EXAMPLES OF PROBLEMATIC BACKPLANE CONFIGURATIONS ARE: RKI-D, DQ11-AA, DAI-F, TMB11, DDI-B, DQ11-AB, RH11, DH11, DB11-A, DT11, VT48 & VT11.

CONNECT BLK/WHI TWP FROM HT77 TO FAN

NOTES CONT ON SHEET 2

**LEGEND**

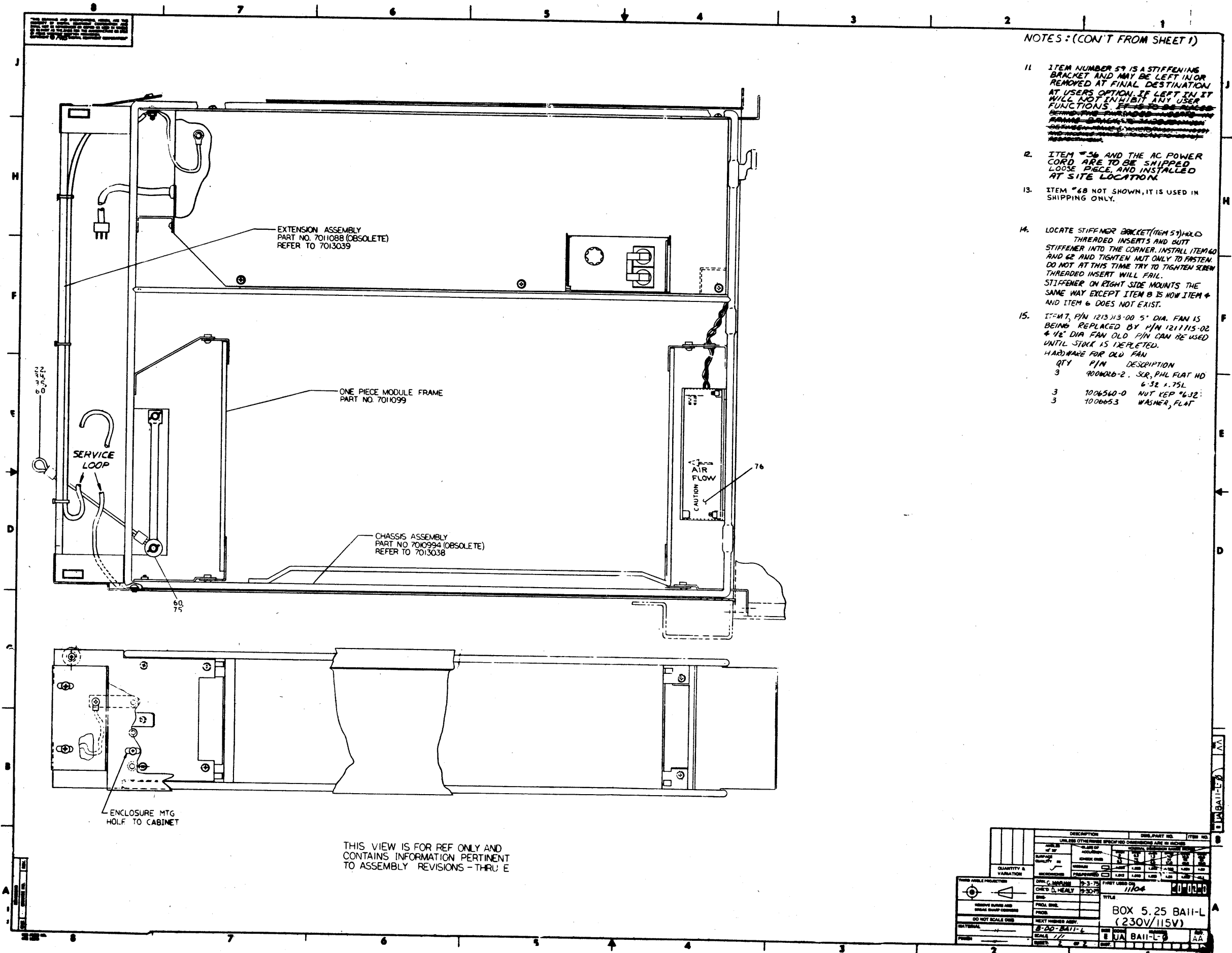
PART NO.	VARIATION
BAI-LA	5.25 BOX+H777-AA 115V CORE+MOS
BAI-LB	5.25 BOX+H777-AB 230V
BAI-LC	5.25 BOX+H777-BA 115V MOS ONLY
BAI-LD	5.25 BOX+H777-BB 230V MOS ONLY
BAI-LE	5.25 BOX+H777-CA 115V+CONSOLE (CORE+MOS)
BAI-LF	5.25 BOX+H777-CB 230V+CONSOLE (CORE+MOS)
BAI-LH	5.25 BOX+H777-DA 115V+CONSOLE (MOS ONLY)
BAI-LJ	5.25 BOX+H777-DB 230V+CONSOLE (MOS ONLY)
BAI-LK	5.25 BOX+H777-CA 115V CORE+MOS
BAI-LL	5.25 BOX+H777-CB 230V CORE+MOS
BAI-LM	5.25 BOX+H777-DA 115V MOS ONLY
BAI-LN	5.25 BOX+H777-DB 230V MOS ONLY
BAI-LX	5.25 BOX+HTT7-UA P.S. (120V)
BAI-LY	5.25 BOX+HTT7-UB P.S. (240)



FOR PARTS LIST SEE K-PL-BAI-L-DBP

QTY	PART NO.	DESCRIPTION	UNIT
1	21	GND STUD	
1	20	ENCLOSURE	
1	12	SCREW	
1	27	SCREW	
1	32	SCREW	
1	69	SCREW	
1	23	SCREW	
1	44	SCREW	
1	17	SERVICE LOOP	
1	22	SCREW	
1	55	SCREW	
1	66	SCREW	
1	59	AC POWER CORD	
1	15	SCREW	
1	18	SCREW	
1	19	SCREW	
1	20	ENCLOSURE	
1	21	GND STUD	
1	22	SCREW	
1	23	SCREW	
1	24	SCREW	
1	25	SCREW	
1	26	SCREW	
1	27	SCREW	
1	28	SCREW	
1	29	SCREW	
1	30	SCREW	
1	31	SCREW	
1	32	SCREW	
1	33	SCREW	
1	34	SCREW	
1	35	SCREW	
1	36	SCREW	
1	37	SCREW	
1	38	SCREW	
1	39	SCREW	
1	40	SCREW	
1	41	SCREW	
1	42	SCREW	
1	43	SCREW	
1	44	SCREW	
1	45	SCREW	
1	46	SCREW	
1	47	SCREW	
1	48	SCREW	
1	49	SCREW	
1	50	SCREW	
1	51	SCREW	
1	52	SCREW	
1	53	ENCLOSURE	
1	54	SHIM	
1	55	SCREW	
1	56	SHIPPING BRACKET	
1	57	SCREW	
1	58	SCREW	
1	59	AC POWER CORD	
1	60	SCREW	
1	61	SCREW	
1	62	SCREW	

QTY	PART NO.	DESCRIPTION	UNIT
1	21	GND STUD	
1	20	ENCLOSURE	
1	12	SCREW	
1	27	SCREW	
1	32	SCREW	
1	69	SCREW	
1	23	SCREW	
1	44	SCREW	
1	17	SERVICE LOOP	
1	22	SCREW	
1	55	SCREW	
1	66	SCREW	
1	59	AC POWER CORD	
1	15	SCREW	
1	18	SCREW	
1	19	SCREW	
1	20	ENCLOSURE	
1	21	GND STUD	
1	22	SCREW	
1	23	SCREW	
1	24	SCREW	
1	25	SCREW	
1	26	SCREW	
1	27	SCREW	
1	28	SCREW	
1	29	SCREW	
1	30	SCREW	
1	31	SCREW	
1	32	SCREW	
1	33	SCREW	
1	34	SCREW	
1	35	SCREW	
1	36	SCREW	
1	37	SCREW	
1	38	SCREW	
1	39	SCREW	
1	40	SCREW	
1	41	SCREW	
1	42	SCREW	
1	43	SCREW	
1	44	SCREW	
1	45	SCREW	
1	46	SCREW	
1	47	SCREW	
1	48	SCREW	
1	49	SCREW	
1	50	SCREW	
1	51	SCREW	
1	52	SCREW	
1	53	ENCLOSURE	
1	54	SHIM	
1	55	SCREW	
1	56	SHIPPING BRACKET	
1	57	SCREW	
1	58	SCREW	
1	59	AC POWER CORD	
1	60	SCREW	
1	61	SCREW	
1	62	SCREW	



NOTES : (CON'T FROM SHEET 1)

11. ITEM NUMBER 57 IS A STIFFENING BRACKET AND MAY BE LEFT IN OR REMOVED AT FINAL DESTINATION AT USER'S OPTION. IF LEFT IN IT WILL NOT INHIBIT ANY USER FUNCTIONS. ~~REMOVING BRACKET WILL DESTROY THE CHASSIS ASSEMBLY~~
12. ITEM #36 AND THE AC POWER CORD ARE TO BE SHIPPED LOOSE PIECE, AND INSTALLED AT SITE LOCATION.
13. ITEM #68 NOT SHOWN, IT IS USED IN SHIPPING ONLY.
14. LOCATE STIFFNER BRACKET (ITEM 57) HOLD THREADED INSERTS AND BUTT STIFFENER INTO THE CORNER. INSTALL ITEM 60 AND 62 AND TIGHTEN NUT ONLY TO FASTEN. DO NOT AT THIS TIME TRY TO TIGHTEN SCREW THREADED INSERT WILL FAIL. STIFFENER ON RIGHT SIDE MOUNTS THE SAME WAY EXCEPT ITEM B IS NOW ITEM # AND ITEM 6 DOES NOT EXIST.
15. ITEM 7, P/N 1213113-00 5" DIA. FAN IS BEING REPLACED BY P/N 121115-02 4 1/2" DIA FAN OLD P/N CAN BE USED UNTIL STOCK IS DEPLETED.

HARDWARE FOR OLD FAN

QTY	P/N	DESCRIPTION
3	9009026-2	SCR, PHL FLAT HD 6-32 x .75L
3	1006540-0	NUT KEP #632
3	1006653	WASHER, FLAT

THIS VIEW IS FOR REF ONLY AND CONTAINS INFORMATION PERTINENT TO ASSEMBLY REVISIONS - THRU E

DESCRIPTION	ENCLOSURE	ITEM NO.	
UNLESS OTHERWISE SPECIFIED DIMENSIONS ARE IN INCHES			
SCALE	AS SHOWN	FIRST USED ON	1106
DESIGNED BY	CALY D. HEALY	DATE	8-27-75
PREPARED BY		TITLE	BOX 5.25 BAI-L-L (230V/115V)
CHECKED BY		SCALE	1/16" = 1"
DRAWN BY		DATE	
INSTRUMENTS USED		BY	
DO NOT SCALE THIS DRAWING		SCALE	
REVISIONS		DATE	



AUTOMATED BY PRTLST.3P(44)

PARTS LIST

SHEET A1 OF A2

LINE	ITEM	TOP DOCUMENT	PART NUMBER	MIN REV	DESCRIPTION	QTY PER VARIATION												
						LA	LB	LC	LD	LE	LF	LH	LJ	LK	LL	LM	LN	
1	1	E-UA-H777-DA-0	H777 -DA		H777-BA EXCEPT +5V 32A,120V	0	0	0	0	0	0	1	0	0	0	1	0	
2	2	E-UA-H777-DB-0	H777 -DB		H777-BB EXCEPT +5V 32A,240V	0	0	0	0	0	0	0	1	0	0	0	1	
3	3	E-IA-7013038-0-0	7013038-00		CHASSIS ASSY	1	1	1	1	1	1	1	1	1	1	1	1	
4	4	C-IA-7012653-0-0	7012653-00		RIGHT SIDE MODULE FRAME	1	1	1	1	1	1	1	1	1	1	1	1	
5	5	D-AD-7011132-0-0	7011132-00		ENCLOSURE ,ASSY	1	1	1	1	1	1	1	1	1	1	1	1	
6	6	D-IA-7013039-0-0	7013039-00		EXTENSION CHASSIS ASSY	1	1	1	1	1	1	1	1	1	1	1	1	
7	7	SEE NOTE 15 (ON UA)	1217715-02		FAN,TUBE AXIAL 4.5" 120CFM 120V	1	1	1	1	1	1	1	1	1	1	1	1	
8	8	C-IA-7012846-0-0	7012846-00		LEFT SIDE MODULE FRAME	1	1	1	1	1	1	1	1	1	1	1	1	
9	9	BLANK				0	0	0	0	0	0	0	0	0	0	0	0	
10	10	BLANK				0	0	0	0	0	0	0	0	0	0	0	0	
11	11	BLANK				0	0	0	0	0	0	0	0	0	0	0	0	
12	12		9006037-03		SCREW,MACH TRUSS PHIL 8-	11	11	11	11	15	15	15	15	11	11	11	11	
13	13		9006634-00		WASHER,LOCK INTERNAL STEEL	14	14	14	14	14	14	14	14	14	14	14	14	
14	14	BLANK				0	0	0	0	0	0	0	0	0	0	0	0	
15	15	B-MD-7413846-0-0	7413846-00		BAR CABLE STRAIN RELIEF	1	1	1	1	1	1	1	1	1	1	1	1	
16	16		9009711-00		NUT,WING 6-32X .50 WD ZINC	2	2	2	2	2	2	2	2	2	2	2	2	
17	17	C-IA-7011412-0-0	7011412-03		CHASSIS GND CABLE [BA11-L]	1	1	1	1	1	1	1	1	1	1	1	1	
18	18	C-IA-7011412-0-0	7011412-0F		CHASSIS GND CABLE [BA11-L]	REF	REF	REF	REF	REF	REF	REF	REF	REF	REF	REF	REF	
19	19	C-MD-7414963-0-0	7414963-00		BRKT SHIPPING & CAB MTG	2	2	2	2	2	2	2	2	2	2	2	2	
20	20		9007015-00		GROMMET,ROUND RUBBER	2	2	2	2	2	2	2	2	2	2	2	2	
21	21		9006565-00		NUT,HEX EXT TOOTH LCKWSHR 10-32	7	7	7	7	7	7	7	7	7	7	7	7	
22	22		9007031-00		TIE,CABLE BUNDL.DIA 0- 3/4"=101	A/R	A/R	A/R	A/R	A/R	A/R	A/R	A/R	A/R	A/R	A/R	A/R	
23	23		1211630-00		GUIDE,CARD ,POLMIDE,NATURAL	3	3	3	3	3	3	3	3	3	3	3	3	
24	24	BLANK				0	0	0	0	0	0	0	0	0	0	0	0	
25	25	E-UA-H777-CA-0	H777 -CA		H777-AA EXCEPT +5V 32A,120V	0	0	0	0	1	0	0	0	1	0	0	0	
26	26	E-UA-H777-CB-0	H777 -CB		H777-AB EXCEPT +5V 32A,240V	0	0	0	0	0	1	0	0	0	1	0	0	
27	27		9008072-00		WASHER,LOCK EXTERNAL STEEL	3	3	3	3	7	7	7	7	3	3	3	3	
28	28	D-AD-7012540-0-0	7012540-00		CONSOLE ASSY EXPANDER BOX	0	0	0	0	1	1	1	1	0	0	0	0	
29	29		1212405-04		GUIDE,CARD ,NYLON ,NATURAL	4	4	4	4	4	4	4	4	4	4	4	4	
30	30		1212405-05		CARD GUIDE,NYLON	5	5	5	5	5	5	5	5	5	5	5	5	

REVISION HISTORY		BASIC PART NO: BA11		DRN:	G. MARINI	DATE:	3-SEP-75	D I G I T A L			
ENG:	ECO NUMBER	REV	SECTION A OF B	CHK'D:	D. HEALY	DATE:	30-SEP-75	TITLE PARTS LIST			
CG	BA11-L-ML024	AA	SECTION VARIATION INDEX [A]LA,LB,LC,LD,LE,LF, LH,LJ,LK,LL,LM,LN [B]LX,LY	DES.ENG:	R. BARRY	DATE:	2-OCT-75	DOCUMENT NUMBER			
			[C]	RESP.ENG.:	R.K. PETERSON	DATE:	2-OCT-75	SIZE:	CODE:	NUMBER	REV
			[D]	MFG.ENG.:	R.K. PETERSON	DATE:	2-OCT-75	K	PL	BA11-L-DBP	AA
			[E]	ASSEMBLY NUMBER:	E-UA-BA11-L-0	TOP DOCUMENT NUMBER:		RELEASE DATE:		01-MAR-84	
			[F]			FILE NAME:	ML25AA.PLS	EDIT #:		10	

"THIS DRAWING AND THE SPECIFICATIONS CONTAINED HEREIN ARE CONFIDENTIAL AND PROPRIETARY. THEY ARE THE PROPERTY OF DIGITAL EQUIPMENT CORPORATION AND SHALL NOT BE REPRODUCED OR COPIED OR USED IN WHOLE OR IN PART AS THE BASIS FOR THE MANUFACTURE OR SALE OF ITEMS WITHOUT WRITTEN PERMISSION. THIS IS AN UNPUBLISHED WORK PROTECTED UNDER THE FEDERAL COPYRIGHT LAWS."

AUTOMATED BY PRTLST.3P(44)

PARTS LIST

SHEET A2 OF A2

LINE	ITEM	TOP DOCUMENT	PART NUMBER	MIN REV	DESCRIPTION	VARIATION REVISION LEVEL:	QTY PER VARIATION																		
							LA	LB	LC	LD	LE	LF	LH	LJ	LK	LL	LM	LN							
31	31	BLANK					0	0	0	0	0	0	0	0	0	0	0	0	0	0	0	0	0	0	0
32	32		9006666-00		WASHER,FLAT	SST	5	5	5	5	9	9	9	9	9	9	9	9	9	9	9	9	9	9	
33	33	BLANK					0	0	0	0	0	0	0	0	0	0	0	0	0	0	0	0	0	0	
34	34		9007786-00		RETAINER,U-NUT	10-32X	5	5	5	5	5	5	5	5	5	5	5	5	5	5	5	5	5	5	
35	35		9006071-03		SCREW,MACH TRUSS PHIL	10-	11	11	11	11	11	11	11	11	11	11	11	11	11	11	11	11	11	11	
36	36		9006035-03		SCREW,MACH TRUSS PHIL	8-	4	4	4	4	4	4	4	4	4	4	4	4	4	4	4	4	4	4	
37	37	B-MD-7417606-0-0	7417606-00		SLEEVE ROLLER		2	2	2	2	2	2	2	2	2	2	2	2	2	2	2	2	2	2	
38	38	B-MD-7417607-0-0	7417607-00		ROLLER		2	2	2	2	2	2	2	2	2	2	2	2	2	2	2	2	2	2	
39	39	BLANK					0	0	0	0	0	0	0	0	0	0	0	0	0	0	0	0	0	0	
40	40		9006690-00		WASHER,HELICAL SPLIT	SST	2	2	2	2	2	2	2	2	2	2	2	2	2	2	2	2	2	2	
41	41		9006561-00		NUT,HEX	8-32X .307AF SS/N	2	2	2	2	2	2	2	2	2	2	2	2	2	2	2	2	2	2	
42	42		3700061-00		INSTR PKG COMPUTER	11/05 OLD STY	0	0	0	0	1	1	1	1	1	1	1	1	1	1	1	1	1	1	
43	43		3700133-00		INSTR PKG COMPUTER	INPLANT 1105	0	0	0	0	1	1	1	1	1	1	1	1	1	1	1	1	1	1	
44	44	C-MD-7418077-0-0	7418077-00		3 POSITION CARD GUIDE		3	3	3	3	3	3	3	3	3	3	3	3	3	3	3	3	3	3	
45	45	BLANK					0	0	0	0	0	0	0	0	0	0	0	0	0	0	0	0	0	0	
46	46	E-UA-H777-BA-0	H777 -BA		11/04 POWER SUPPLY,MOS ONLY,NO +		0	0	0	1	0	0	0	0	0	0	0	0	0	0	0	0	0	0	
47	47	E-UA-H777-BB-0	H777 -BB		11/04 POWER SUPPLY,MOS ONLY,NO +		0	0	0	1	0	0	0	0	0	0	0	0	0	0	0	0	0	0	
48	48	E-UA-H777-AA-0	H777 -AA		BA11-L POWER SUPPLY,+5V 25A,+20V		1	0	0	0	0	0	0	0	0	0	0	0	0	0	0	0	0	0	
49	49	E-UA-H777-AB-0	H777 -AB		240V H777-AA		0	1	0	0	0	0	0	0	0	0	0	0	0	0	0	0	0	0	
50	50	BLANK					0	0	0	0	0	0	0	0	0	0	0	0	0	0	0	0	0	0	
51	51	BLANK					0	0	0	0	0	0	0	0	0	0	0	0	0	0	0	0	0	0	
52	52	BLANK					0	0	0	0	0	0	0	0	0	0	0	0	0	0	0	0	0	0	
53	53	B-IA-7418258-0-0	7418258-00		GROUND STRAP		1	1	1	1	1	1	1	1	1	1	1	1	1	1	1	1	1	1	
54	54	B-MD-7418259-0-0	7418259-00		SPACER INCLOSURE		A/R	A/R	A/R	A/R	A/R	A/R	A/R	A/R	A/R	A/R	A/R	A/R	A/R	A/R	A/R	A/R	A/R	A/R	
55	55		9007035-00		GROMMET,CATERPILLAR POLYAMIDE		A/R	A/R	A/R	A/R	A/R	A/R	A/R	A/R	A/R	A/R	A/R	A/R	A/R	A/R	A/R	A/R	A/R	A/R	
56	56		9007083-00		CLAMP,CABLE,SCREW MTD.	3/8 "	0	0	0	0	1	1	1	1	1	1	1	1	1	1	1	1	1	1	
57	57	A-PS-3613211-0-0	3613211-01		DECAL,CLEAR PREPRINTED CSA	1-1/4	1	1	1	1	1	1	1	1	1	1	1	1	1	1	1	1	1	1	
58	58	A-DC-7416197-0-0	7416197-01		DECAL		1	1	1	1	1	1	1	1	1	1	1	1	1	1	1	1	1	1	
59	59	C-MD-7419019-0-0	7419019-00		BRACKET, MODULE FRAME STIFFENING		2	2	2	2	2	2	2	2	2	2	2	2	2	2	2	2	2	2	
60	60		9006668-00		WASHER,FLAT	SST	6	6	6	6	6	6	6	6	6	6	6	6	6	6	6	6	6	6	
61	61		9006040-03		SCREW,MACH TRUSS PHIL	8-	4	4	4	4	4	4	4	4	4	4	4	4	4	4	4	4	4	4	
62	62		9006563-00		NUT,HEX EXT TOOTH LCKWSHR	8-32	4	4	4	4	4	4	4	4	4	4	4	4	4	4	4	4	4	4	
63	63	BLANK					0	0	0	0	0	0	0	0	0	0	0	0	0	0	0	0	0	0	
64	64	BLANK					0	0	0	0	0	0	0	0	0	0	0	0	0	0	0	0	0	0	
65	65	BLANK					0	0	0	0	0	0	0	0	0	0	0	0	0	0	0	0	0	0	
66	66		9009157-00		ADH,LIQ.RM.TEMP CURING COLORLESS		A/R	A/R	A/R	A/R	A/R	A/R	A/R	A/R	A/R	A/R	A/R	A/R	A/R	A/R	A/R	A/R	A/R	A/R	
67	67		1212707-00		FILTER,AIR FOAM EXPAND	030PPI	0	0	0	0	1	1	1	1	1	1	1	1	1	1	1	1	1	1	
68	68		9007032-00		TIE,CABLE BUNDL.DIA	0-1-3/4"=101	2	2	2	2	2	2	2	2	2	2	2	2	2	2	2	2	2	2	
69	69	C-MD-7414962-0-0	7414962-00		BRKT FILTER SUPPORT		0	0	0	0	REF	REF	REF	REF	REF	REF	REF	REF	REF	REF	REF	REF	REF	REF	
70	70	E-UA-H777-UA-0	H777 -UA		11/24 PS: +5V 32A,+15V 3A,-15V 3		0	0	0	0	0	0	0	0	0	0	0	0	0	0	0	0	0	0	
71	71	E-UA-H777-UB-0	H777 -UB		11/24 PS: +5V 32A,+15V 3A,-15V 3		0	0	0	0	0	0	0	0	0	0	0	0	0	0	0	0	0	0	
72	72		9006025-02		SCREW,MACH FLAT PHIL	6-	4	4	4	4	4	4	4	4	4	4	4	4	4	4	4	4	4	4	
73	73		9009165-00		CLIP, FAN MOUNTING (12-05033 FAN		4	4	4	4	4	4	4	4	4	4	4	4	4	4	4	4	4	4	
74	74	C-MD-7425811-0-0	7425811-00		BRACKET,SHIPPING,11/24		0	0	0	0	0	0	0	0	0	0	0	0	0	0	0	0	0	0	
75	75		1215700-05		CABLE ASSY,NYLON, 5"LG		1	1	1	1	1	1	1	1	1	1	1	1	1	1	1	1	1	1	
76	76		3621768-01		LABEL,ROTATING FAN BLADES		1	1	1	1	1	1	1	1	1	1	1	1	1	1	1	1	1	1	

D I G I T A L	TITLE	SECTION A OF B	SIZE	CODE	DOCUMENT NUMBER	REV
	BOX 5.25 BA11-L (230V/115V)		K	PL	BA11-L-DBP	AA

LINE	ITEM	TOP DOCUMENT	PART NUMBER	MIN REV	DESCRIPTION	QTY PER VARIATION	
						LX	LY
1	1	E-UA-H777-DA-0	H777 -DA		H777-BA EXCEPT +5V 32A,120V	0	0
2	2	E-UA-H777-DB-0	H777 -DB		H777-BB EXCEPT +5V 32A,240V	0	0
3	3	E-IA-7013038-0-0	7013038-00		CHASSIS ASSY	1	1
4	4	C-IA-7012653-0-0	7012653-00		RIGHT SIDE MODULE FRAME	1	1
5	5	D-AD-7011132-0-0	7011132-00		ENCLOSURE ,ASSY	1	1
6	6	D-IA-7013039-0-0	7013039-00		EXTENSION CHASSIS ASSY	1	1
7	7	SEE NOTE 15 (ON UA)	1217715-02		FAN,TUBE AXIAL 4.5" 120CFM 120V	1	1
8	8	C-IA-7012846-0-0	7012846-00		LEFT SIDE MODULE FRAME	1	1
9	9	BLANK				0	0
10	10	BLANK				0	0
11	11	BLANK				0	0
12	12		9006037-03		SCREW,MACH TRUSS PHIL 8-	12	12
13	13		9006634-00		WASHER,LOCK INTERNAL STEEL	12	12
14	14	BLANK				0	0
15	15	B-MD-7413846-0-0	7413846-00		BAR CABLE STRAIN RELIEF	1	1
16	16		9009711-00		NUT,WING 6-32X .50 WD ZINC	2	2
17	17	C-IA-7011412-0-0	7011412-03		CHASSIS GND CABLE [BA11-L]	1	1
18	18	C-IA-7011412-0-0	7011412-0F		CHASSIS GND CABLE [BA11-L]	REF	REF
19	19	C-MD-7414963-0-0	7414963-00		BRKT SHIPPING & CAB MTG	0	0
20	20		9007015-00		GROMMET,ROUND RUBBER	2	2
21	21		9006565-00		NUT,HEX EXT TOOTH LCKWSHR 10-32	5	5
22	22		9007031-00		TIE,CABLE BUNDL.DIA 0- 3/4"=101	A/R	A/R
23	23		1211630-00		GUIDE,CARD ,POLMIDE,NATURAL	3	3
24	24	BLANK				0	0
25	25	E-UA-H777-CA-0	H777 -CA		H777-AA EXCEPT +5V 32A,120V	0	0
26	26	E-UA-H777-CB-0	H777 -CB		H777-AB EXCEPT +5V 32A,240V	0	0
27	27		9008072-00		WASHER,LOCK EXTERNAL STEEL	3	3
28	28	D-AD-7012540-0-0	7012540-00		CONSOLE ASSY EXPANDER BOX	0	0
29	29		1212405-04		GUIDE,CARD ,NYLON ,NATURAL	4	4
30	30		1212405-05		CARD GUIDE,NYLON	5	5

REVISION HISTORY			BASIC PART NO: BA11		DRN: G. MARINI		DATE: 3-SEP-75		D I G I T A L		
ENG	ECO NUMBER	REV	SECTION B OF B	CHK'D:	D. HEALY	DATE:	30-SEP-75	TITLE PARTS LIST			
CG	BA11-L-ML024	AA	[A]LA, LB, LC, LD, LE, LF, LH, LJ, LK, LL, LM, LN [B]LX, LY	DES. ENG:	R. BARRY	DATE:	2-OCT-75	DOCUMENT NUMBER			
			[C]	RESP. ENG.:	R.K. PETERSON	DATE:	2-OCT-75	SIZE	CODE	NUMBER	REV
			[D]	MFG. ENG.:	R.K. PETERSON	DATE:	2-OCT-75	K	PL	BA11-L-DBP	AA
			[E]	ASSEMBLY NUMBER:	E-UA-BA11-L-0	TOP DOCUMENT NUMBER:		RELEASE DATE:		01-MAR-84	
			[F]	FILE NAME:	ML25AA.PLS	EDIT #:	10				

"THIS DRAWING AND THE SPECIFICATIONS CONTAINED HEREIN ARE CONFIDENTIAL AND PROPRIETARY. THEY ARE THE PROPERTY OF DIGITAL EQUIPMENT CORPORATION AND SHALL NOT BE REPRODUCED OR COPIED OR USED IN WHOLE OR IN PART AS THE BASIS FOR THE MANUFACTURE OR SALE OF ITEMS WITHOUT WRITTEN PERMISSION. THIS IS AN UNPUBLISHED WORK PROTECTED UNDER THE FEDERAL COPYRIGHT LAWS."

AUTOMATED BY PRTLST.3P(44)

PARTS LIST

SHEET B2 OF B2

LINE	ITEM	TOP DOCUMENT	PART NUMBER	MIN REV	DESCRIPTION	VARIATION	REVISION LEVEL	QTY LX	PER LY	VARIAION
31	31	BLANK						0	0	
32	32		9006666-00		WASHER,FLAT		SST	5	5	
33	33	BLANK						0	0	
34	34		9007786-00		RETAINER,U-NUT		10-32X	7	7	
35	35		9006071-03		SCREW,MACH TRUSS PHIL		10-	11	11	
36	36		9006035-03		SCREW,MACH TRUSS PHIL		8-	4	4	
37	37	B-MD-7417606-0-0	7417606-00		SLEEVE ROLLER			2	2	
38	38	B-MD-7417607-0-0	7417607-00		ROLLER			2	2	
39	39	BLANK						0	0	
40	40		9006690-00		WASHER,HELICAL SPLIT		SST	2	2	
41	41		9006561-00		NUT,HEX		8-32X .307AF SS/N	2	2	
42	42		3700061-00		INSTR PKG COMPUTER		11/05 OLD STY	0	0	
43	43		3700133-00		INSTR PKG COMPUTER		INPLANT 1105	0	0	
44	44	C-MD-7418077-0-0	7418077-00		3 POSITION CARD GUIDE			3	3	
45	45	BLANK						0	0	
46	46	E-UA-H777-BA-0	H777 -BA		11/04 POWER SUPPLY,MOS ONLY,NO +			0	0	
47	47	E-UA-H777-BB-0	H777 -BB		11/04 POWER SUPPLY,MOS ONLY,NO +			0	0	
48	48	E-UA-H777-AA-0	H777 -AA		BA11-L POWER SUPPLY,+5V 25A,+20V			0	0	
49	49	E-UA-H777-AB-0	H777 -AB		240V H777-AA			0	0	
50	50	BLANK						0	0	
51	51	BLANK						0	0	
52	52	BLANK						0	0	
53	53	B-IA-7418258-0-0	7418258-00		GROUND STRAP			1	1	
54	54	B-MD-7418259-0-0	7418259-00		SPACER INCLOSURE			A/R	A/R	
55	55		9007035-00		GROMMET,CATERPILLAR POLYAMIDE			A/R	A/R	
56	56		9007083-00		CLAMP,CABLE SCREW MTD.		3/8 "	1	1	
57	57	A-PS-3613211-0-0	3613211-01		DECAL,CLEAR PREPRINTED CSA		1-1/4	1	1	
58	58	A-DC-7416197-0-0	7416197-01		DECAL			1	1	
59	59	C-MD-7419019-0-0	7419019-00		BRACKET, MODULE FRAME STIFFENING			2	2	
60	60		9006668-00		WASHER,FLAT		SST	6	6	
61	61		9006040-03		SCREW,MACH TRUSS PHIL		8-	4	4	
62	62		9006563-00		NUT,HEX EXT TOOTH LCKWSHR		8-32	4	4	
63	63	BLANK						0	0	
64	64	BLANK						0	0	
65	65	BLANK						0	0	
66	66		9009157-00		ADH,LIQ.RM.TEMP CURING COLORLESS			A/R	A/R	
67	67		1212707-00		FILTER,AIR FOAM EXPAND 030PPI			0	0	
68	68		9007032-00		TIE,CABLE BUNDL,DIA 0-1-3/4"=101			2	2	
69	69	C-MD-7414962-0-0	7414962-00		BRKT FILTER SUPPORT			0	0	
70	70	E-UA-H777-UA-0	H777 -UA		11/24 PS: +5V 32A,+15V 3A,-15V 3			1	0	
71	71	E-UA-H777-UB-0	H777 -UB		11/24 PS: +5V 32A,+15V 3A,-15V 3			0	1	
72	72		9006025-02		SCREW,MACH FLAT PHIL		6-	4	4	
73	73		9009165-00		CLIP, FAN MOUNTING (12-05033 FAN			4	4	
74	74	C-MD-7425811-0-0	7425811-00		BRACKET,SHIPPING,11/24			2	2	
75	75		1215700-05		CABLE ASSY,NYLON, 5"LG			1	1	
76	76		3621768-01		LABEL,ROTATING FAN BLADES			1	1	

D I G I T A L	TITLE	BOX 5.25 BA11-L (230V/115V)	SECTION B OF B	SIZE:CODE	DOCUMENT NUMBER	REV
				K PL	BA11-L-DBP	AA

"THE MATERIAL HEREIN IS FOR INFORMATION PURPOSES ONLY AND IS SUBJECT TO CHANGE WITHOUT NOTICE. DIGITAL EQUIPMENT CORPORATION ASSUMES NO RESPONSIBILITY FOR ANY ERRORS WHICH MAY APPEAR HEREIN."

# FIELD MAINTENANCE PRINT SET

"THIS DRAWING AND SPECIFICATIONS, HEREIN, ARE THE PROPERTY OF DIGITAL EQUIPMENT CORPORATION AND SHALL NOT BE REPRODUCED OR COPIED OR USED IN WHOLE OR IN PART AS THE BASIS FOR THE MANUFACTURE OR SALE OF ITEMS WITHOUT WRITTEN PERMISSION. COPYRIGHT © DIGITAL EQUIPMENT CORPORATION."

## TABLE OF CONTENTS

- |                                |                    |
|--------------------------------|--------------------|
| FIELD MAINT. PRINT SET H777-0  | B-TC-H777-0-2      |
| POWER SUPPLY H777-0 SH2        | E-UA-H777-0-0      |
| POWER SUPPLY H777-0 (PL)       | A-PL-H777-0-0      |
| +5V REGULATOR ASSY.            | D-AD-7012909-0-0   |
| +5V REG. ASSY. (PL)            | A-PL-7012909       |
| BOARD, POWER DISTRIBUTION H777 | D-CS-5411586-0-1   |
| H777 +5V REGULATOR             | D-CS-5412667-0-1   |
| AC INPUT ASSY                  | D-AD-7012910-0-0   |
| AC INPUT ASSY (PL)             | A-PL-7012910-0-0   |
| MOS REGULATOR H777             | D-CS-5411601-0-1   |
| CORE REGULATOR H777            | D-CS-5411599-0-1   |
| ±15V REGULATOR                 | D-CS-5413764-0-1   |
| ±15V REGULATOR                 | K-PL-5413764-0-DBP |
| ±15V REGULATOR                 | D-UA-5413764-0-0   |

UNIT VARIATIONS COVERED BY THIS PRINT SET	
H777-CA	(CORE/MOS)
H777-CB	(CORE/MOS)
H777-DA	(MOS ONLY)
H777-DB	(MOS ONLY)
H777-UA	(±15/MOS)
H777-UB	(±15/MOS)

H777-0 VOL.2  
**Field Maintenance  
 Print Set**

**Digital Equipment  
 Corporation**

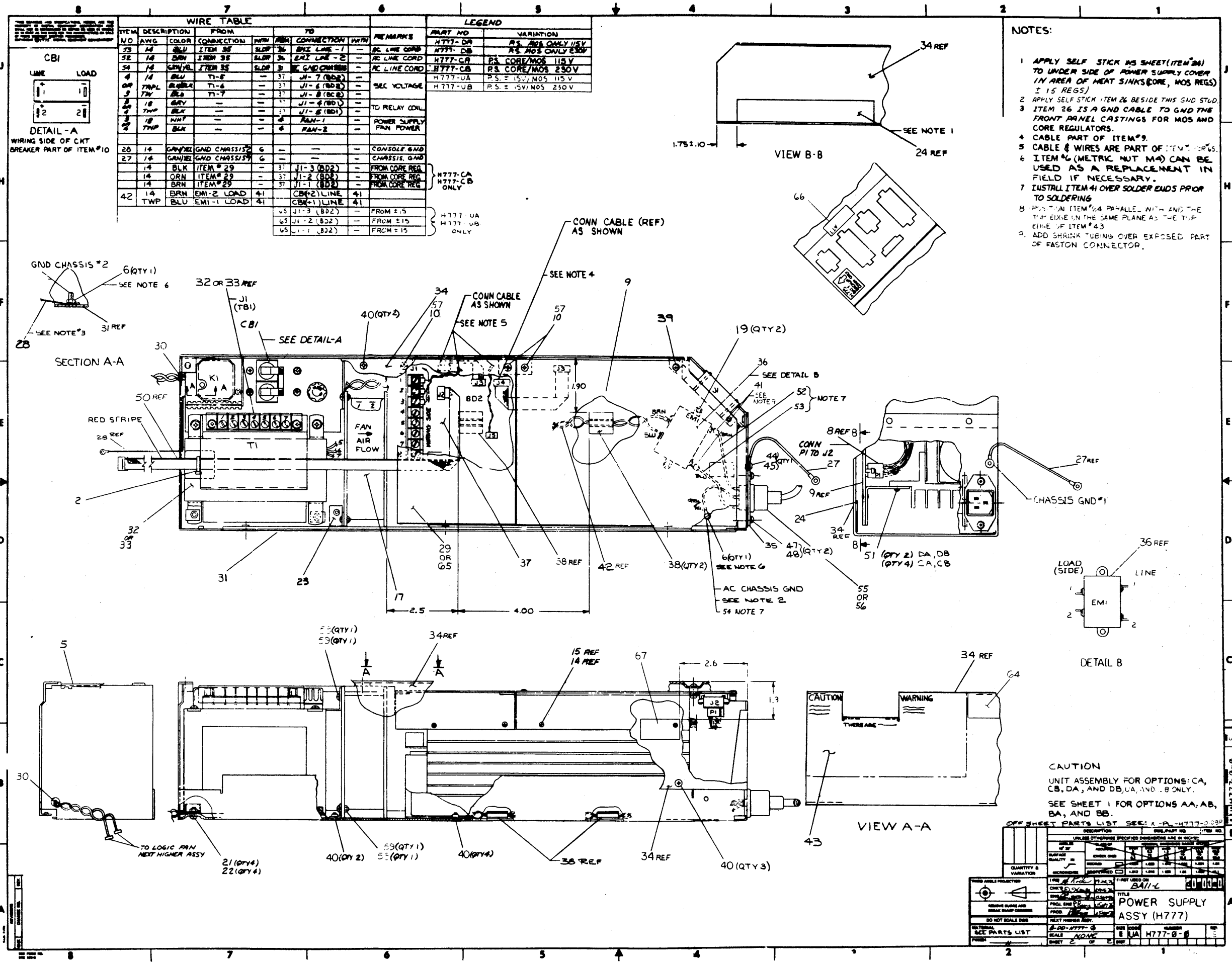
PRINT SET ORDER NO.  
 MP00309

REVISIONS	DATE	CHG. NO.	REV.	ORIGINATED	USED ON OPTION/MODEL	DRN.		DATE		TITLE:	SIZE	CODE	NUMBER	REV.
						CHK'D	DATE	PROJ. ENG.	DATE					
	JAN-77	H777-2	1	E F	BALL-LA	BALL-LK	<i>[Signature]</i>	18 JUN 77		FIELD MAINTENANCE PRINT SET H777-0	B	TC	H777-0-2	F
	3-78	H777-5	E		BALL-LB	BALL-LL	CHK'D	19 JAN 77						
	7-80	H777-TW008	F		BALL-LC	BALL-LM	KIT	77						
					BALL-LD	BALL-LN	PROJ. ENG.	25 JAN 77						
					BALL-LE	BALL-LX	<i>[Signature]</i>	77						
					BALL-LF	BALL-LY	FIELD SERV.	27 JAN 77						
					BALL-LH		<i>[Signature]</i>							
					BALL-LJ									
SHEET I OF 1														

EN-01124 16 6078 (227)

TW

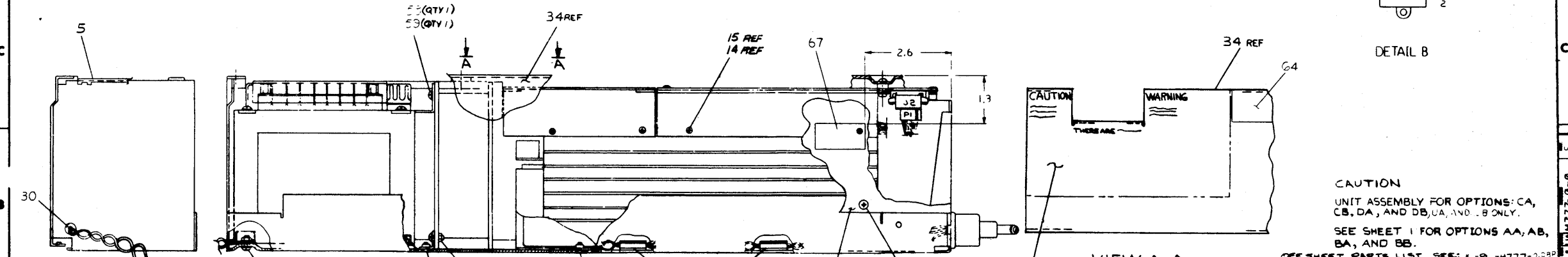
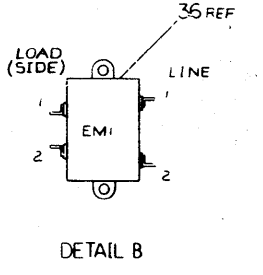
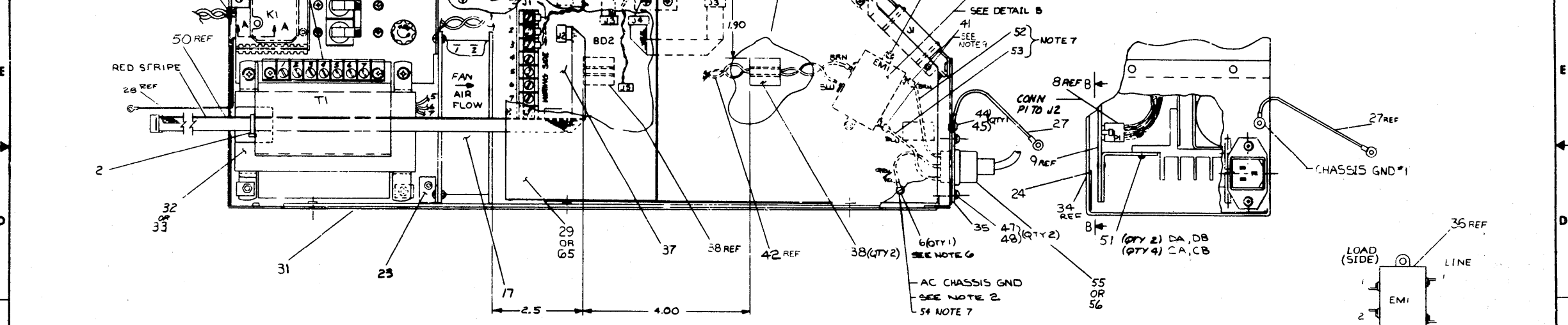
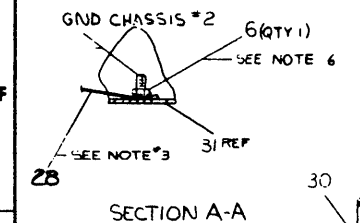




WIRE TABLE										
ITEM NO	AWG	COLOR	CONNECTION	W/TH	FROM	CONNECTION	W/TH	REMARKS	PART NO	VARIATION
23	14	BLU	ITEM 35	SLOP	36	EMI LINE - 1	---	AC LINE CORD	H777-DB	P.S. NOS ONLY 115V
52	14	BRN	ITEM 35	SLOP	36	EMI LINE - 2	---	AC LINE CORD	H777-DB	P.S. NOS ONLY 230V
34	14	GRN/BL	ITEM 35	SLOP	36	AC GND CHASSIS	---	AC LINE CORD	H777-CA	P.S. CORE/MOS 115V
4	14	BLU	TI-5	---	37	J1-7 (BD2)	---	SEC VOLTAGE	H777-UA	P.S. E 15V/MOS 115V
18	14	BLK/BLA	TI-6	---	37	J1-6 (BD2)	---	TO RELAY COIL	H777-UB	P.S. E 15V/MOS 230V
18	14	BLK	TI-7	---	37	J1-8 (BD2)	---	TO RELAY COIL	H777-UB	P.S. E 15V/MOS 230V
18	14	GRY	---	---	37	J1-4 (BD1)	---	TO RELAY COIL	H777-UB	P.S. E 15V/MOS 230V
18	14	BLK	---	---	37	J1-5 (BD1)	---	TO RELAY COIL	H777-UB	P.S. E 15V/MOS 230V
18	14	WHT	---	---	4	FAN-1	---	POWER SUPPLY	H777-UB	P.S. E 15V/MOS 230V
18	14	TRP	---	---	4	FAN-2	---	FAN POWER	H777-UB	P.S. E 15V/MOS 230V
26	14	GRN/BL	GND CHASSIS	---	6	---	---	CONSOLE GND	H777-CA	H777-CB ONLY
27	14	GRN/BL	GND CHASSIS	---	6	---	---	CHASSIS GND	H777-CA	H777-CB ONLY
14	14	BLK	ITEM # 29	---	37	J1-3 (BD2)	---	FROM CORE REG	H777-CA	H777-CB ONLY
14	14	ORN	ITEM # 29	---	37	J1-2 (BD2)	---	FROM CORE REG	H777-CA	H777-CB ONLY
14	14	BRN	ITEM # 29	---	37	J1-1 (BD2)	---	FROM CORE REG	H777-CA	H777-CB ONLY
42	14	BRN	EMI-2 LOAD	---	41	CB#2 LINE	---	---	H777-UA	H777-UB ONLY
42	14	BLU	EMI-1 LOAD	---	41	CB#1 LINE	---	---	H777-UA	H777-UB ONLY
					45	J1-3 (BD2)	---	FROM #15	H777-UA	H777-UB ONLY
					45	J1-2 (BD2)	---	FROM #15	H777-UA	H777-UB ONLY
					45	J1-1 (BD2)	---	FROM #15	H777-UA	H777-UB ONLY

LEGEND	
PART NO	VARIATION
H777-DB	P.S. NOS ONLY 115V
H777-DB	P.S. NOS ONLY 230V
H777-CA	P.S. CORE/MOS 115V
H777-CA	P.S. CORE/MOS 230V
H777-UA	P.S. E 15V/MOS 115V
H777-UB	P.S. E 15V/MOS 230V

- NOTES:**
- 1 APPLY SELF STICK INS SHEET (ITEM 24) TO UNDER SIDE OF POWER SUPPLY COVER IN AREA OF HEAT SINKS (CORE, MOS REGS) ± 15 REGS)
  - 2 APPLY SELF STICK ITEM 26 BESIDE THIS GND STUD. ITEM 26 IS A GND CABLE TO GND THE FRONT PANEL CASTINGS FOR MOS AND CORE REGULATORS.
  - 3 CABLE PART OF ITEM #9.
  - 4 CABLE & WIRES ARE PART OF ITEM #9'S.
  - 5 ITEM #6 (METRIC NUT M4) CAN BE USED AS A REPLACEMENT IN FIELD IF NECESSARY.
  - 6 INSTALL ITEM #4 OVER SOLDER ENDS PRIOR TO SOLDERING.
  - 7 POSITION ITEM #4 PARALLEL WITH AND THE TOP EDGE IN THE SAME PLANE AS THE TOP EDGE OF ITEM #43.
  - 8 ADD SHRINK TUBING OVER EXPOSED PART OF FASTON CONNECTOR.



**CAUTION**  
 UNIT ASSEMBLY FOR OPTIONS: CA, CB, DA, AND DB, UA, AND UB ONLY.  
 SEE SHEET 1 FOR OPTIONS AA, AB, BA, AND BB.

OFF SHEET PARTS LIST SEE: K-P-H777-0089

QTY	PART NO	DESCRIPTION	UNIT PART NO	ITEM NO
1	24	INS SHEET		
1	26	GND CABLE		
1	43	FASTON CONNECTOR		
1	44	SHRINK TUBING		
1	45	SHRINK TUBING		
1	46	SHRINK TUBING		
1	47	SHRINK TUBING		
1	48	SHRINK TUBING		
1	49	SHRINK TUBING		
1	50	SHRINK TUBING		
1	51	SHRINK TUBING		
1	52	SHRINK TUBING		
1	53	SHRINK TUBING		
1	54	SHRINK TUBING		
1	55	SHRINK TUBING		
1	56	SHRINK TUBING		
1	57	SHRINK TUBING		
1	58	SHRINK TUBING		
1	59	SHRINK TUBING		
1	60	SHRINK TUBING		
1	61	SHRINK TUBING		
1	62	SHRINK TUBING		
1	63	SHRINK TUBING		
1	64	SHRINK TUBING		
1	65	SHRINK TUBING		
1	66	SHRINK TUBING		
1	67	SHRINK TUBING		
1	68	SHRINK TUBING		
1	69	SHRINK TUBING		
1	70	SHRINK TUBING		
1	71	SHRINK TUBING		
1	72	SHRINK TUBING		
1	73	SHRINK TUBING		
1	74	SHRINK TUBING		
1	75	SHRINK TUBING		
1	76	SHRINK TUBING		
1	77	SHRINK TUBING		
1	78	SHRINK TUBING		
1	79	SHRINK TUBING		
1	80	SHRINK TUBING		
1	81	SHRINK TUBING		
1	82	SHRINK TUBING		
1	83	SHRINK TUBING		
1	84	SHRINK TUBING		
1	85	SHRINK TUBING		
1	86	SHRINK TUBING		
1	87	SHRINK TUBING		
1	88	SHRINK TUBING		
1	89	SHRINK TUBING		
1	90	SHRINK TUBING		
1	91	SHRINK TUBING		
1	92	SHRINK TUBING		
1	93	SHRINK TUBING		
1	94	SHRINK TUBING		
1	95	SHRINK TUBING		
1	96	SHRINK TUBING		
1	97	SHRINK TUBING		
1	98	SHRINK TUBING		
1	99	SHRINK TUBING		
1	100	SHRINK TUBING		

DIGITAL EQUIPMENT CORPORATION  
MAYNARD, MASSACHUSETTS

PARTS LIST

MADE BY *R Barry* CHECKED D. HEALY SECTION 1  
DATE *19 July 76* DATE 29 JUL 76  
ENG R Barry PROD *RK King* ISSUED SECT. 1  
DATE *26 Aug 76* DATE 26 Aug 76

ITEM NO.	DWG NO. / PART NO.	DESCRIPTION	QUANTITY / VARIATION
1	D-IA-7011248-0-0	CHASSIS ASSY P.S.	1 1 1 1
2	9007031-05	TIE WRAP	A/RA/HA/RA/RA/RA/RA/RA/R A/RA/R
3	D-AD-7011075-0-0	A/C INPUT ASSY (120V)	1 - 1 - - -
4	D-AD-7011075-1-0	A/C INPUT ASSY (230V)	- 1 - 1 - -
5	9007035	GROMMET CAT.	A/RA/HA/RA/RA/RA/RA/RA/R A/RA/R
6	9006563	NUT, KEPS #8 - 32	2 2 2 2
7	E-MD-7413825-0-0	COVER, POWER SUPPLY	1 1 1 1
8	D-AD-7011073-0-0	+5V REGULATOR ASSY	1 1 1 1
9	D-CS-5411601-0-1	MOS. REG. H777	1 1 1 1
10	9006021-01	SCR, PHL HD PAN #6 - 32 x .31	4 4 2 2
11	9008509	STRAIN RELIEF	1 1 1 1
12	D-IA-7012320-0	POWER CORD (115V)	1 - 1 - - -
13	D-IA-7012320-1	POWER CORD (230V)	- 1 - 1 - -
14	9006022-1	SCR, PHIL HD PAN #6-32 x .38	6 6 4 4
15	9006633	WASHER, INT. TOOTH #6	10 10 6 6
16	9009771-02	CLAMP	2 2 2 2
17	121715-02	FAN, TUBE AXIAL 120V 120CFM 4.5" BALL BRG	1 1 1 1
18	9006020-2	SCR, PHIL FLAT HD #6 - 32 x .25	7 7 7 7
19	9008185	NUT, KEPS #6 - 32	- - - 2 2 2 2
20	<del>9006023-1</del>	<del>SCR, PHIL HD PAN #6 - 32 x .31</del>	<del>4 4 4 4</del>
21	9006074-3	SCR., PHIL TRUSS #10 - 32 x .62	4 4 4 4
22	9007651	WASHER, EXT. TOOTH #10	4 4 4 4

TITLE POWER SUPPLY ASSY (H777)  
ASSY NO. E-UA-H777-0-0  
SIZE CODE A PL  
SHEET 1 OF 3  
REV. H777-0-0  
FCO NO. H777-  
TW009

DEC FORM DEC 16 (325)-1031-N870  
DRA 110

DIGITAL EQUIPMENT CORPORATION  
MAYNARD, MASSACHUSETTS

PARTS LIST

MADE BY *R Barry* CHECKED D. HEALY SECTION 1  
DATE *19 July 76* DATE 29 JUL 76  
ENG R Barry PROD *RK King* ISSUED SECT. 1  
DATE *26 Aug 76* DATE 26 Aug 76

ITEM NO.	DWG NO. / PART NO.	DESCRIPTION	QUANTITY / VARIATION
23	C-IA-7413773-0-0	BRACKET, PAN	2 2 2 2
24	1210984-05	INS SHEET 9.0 ± .1 X 1.5 ± .1	A/RA/RA/RA/RA/RA/RA/RA/RA/RA/R
25	B-DC-7414744-0-0	DECAL H777 P.S.	1 1 1 1
26	A-PS-3612680-0-0	DECAL, CHASSIS GROUND	2 2 2 2
27	C-IA-7011412-0F	CABLE, CHASSIS GROUND	1 1 1 1
28	C-IA-7011412-1H	CABLE, CONSOLE GROUND	- - - 1 1 1 1
29	D-CS-5411599-0-1	CORE REG. H777	1 1 - - 1 1
30	9007015	GROMMET	- - - 1 1 1 1
31	D-IA-7417407-0-0	CHASSIS P.S.	- - - 1 1 1 1
32	D-AD-7012910-0-0	A/C INPUT ASSY (120V)	- - - 1 1 - 1
33	D-AD-7012910-1-0	A/C INPUT ASSY (230V)	- - - 1 - 1 - 1
34	E-IA-7417018-0-0	COVER, POWER SUPPLY	- - - 1 1 1 1
35	A-PS-1213773-0-0	AC RECEPTACLE	- - - 1 1 1 1
36	A-PS-1212877-0-0	FILTER	- - - 1 1 1 1
37	D-AD-7012909-0-0	+5V REGULATOR ASSY	- - - 1 1 1 1
38	9009771-1-0	CABLE CLAMP	- - - 2 2 2 2
39	9006024-01	SCREW, PAN #6 - 32 x .50	- - - 1 1 1 1
40	9008404-2	SCR, PHL FLAT HD #6 - 32 x .31	4 4 4 4
41	9107253-02	TUBING, SHRINK (ORN)	- - - A/RA/RA/RA/RA/RA/RA/R
42	C-IA-7417288-0-0	WIRE A.C. CONN. HARNESS	- - - REF REF REF REF
43	3617582-00	DECAL H777 P.S.	- - - 1 1 1 1
44	9006037-1	SCR, PHIL PAN HD #8 - 32 x .38	- - - 1 1 1 1

TITLE POWER SUPPLY ASSY (H777)  
ASSY NO. E-UA-H777-0-0  
SIZE CODE A PL  
SHEET 2 OF 3  
REV. H777-0-0  
FCO NO. R

DEC FORM DEC 16 (325) 1031-N870  
DRA 110

TW



DIGITAL EQUIPMENT CORPORATION MAYNARD, MASSACHUSETTS <b>PARTS LIST</b>				QUANTITY / VARIATION											
MADE BY		CHECKED D. HEALY		SECTION											
DATE		DATE 29 JUL 76		1											
ENG <i>R. Barry 26 Aug 76</i>		PROD <i>RR King 26 Aug 76</i>		ISSUED SECT.											
DATE		DATE		1											
ITEM NO.	DWG NO. / PART NO.	DESCRIPTION				H777-AA	H777-AB	H777-BA	H777-BB	H777-CA	H777-CB	H777-DA	H777-DB	H777-UA	H777-UB
45	9006634	WASHER INT. TOOTH LOCK #8				-	-	-	-	1	1	1	1	1	1
<del>46</del>	<del>B-IA-7013215-1</del>	<del>AC POWER CORD ASSEMBLY 230V</del>				<del>-</del>	<del>-</del>	<del>-</del>	<del>-</del>	<del>1</del>	<del>1</del>	<del>1</del>	<del>1</del>	<del>1</del>	<del>1</del>
47	9006011-1	SCR PH HD PAN #4 - 40 x .38				-	-	-	-	2	2	2	2	2	2
48	9006632	WASHER INT. TOOTH LOCK #4				-	-	-	-	2	2	2	2	2	2
49	9008020-02	SCR, PHIL FLAT HD. #6-32 x .18				1	1	1	1	-	-	-	-	-	-
50	7011411-1L	CABLE, CONSOLE CONTROL				-	-	-	-	REF	REF	REF	REF	REF	REF
51	9006022-03	SCR. PHIL. TRUSS #6-32 x .38				-	-	-	-	4	4	2	2	4	4
52	C-IA-7013938-I	CABLE JUMPER				-	-	-	-	1	1	1	1	1	1
53	C-IA-7013938-O	CABLE JUMPER				-	-	-	-	1	1	1	1	1	1
54	C-IA-7013939-O	CABLE GROUNDING				-	-	-	-	1	1	1	1	1	1
55	1700083-05	AC POWER CORD (120V)				-	-	-	-	1	-	1	-	1	-
56	1700083-04	AC POWER CORD (240V)				-	-	-	-	-	1	-	1	-	1
57	9006656	WASHER, FLAT				4	4	2	2	3	3	1	1	3	3
58	9006025-01	SCR, PAN PHIL #6-32 x 5/8				3	3	3	3	3	3	3	3	3	3
59	9006560	NUT, KEP #6-32				3	3	3	3	3	3	3	3	3	3
60	7011412-3C	CABLE ASSY				1	1	1	1	-	-	-	-	-	-
61	9006561	NUT, HEX #8-32				1	1	1	1	-	-	-	-	-	-
62	7011414-1F	CABLE, CONSOLE CONTROL				REF	REF	REF	REF	-	-	-	-	-	-
63	9009255-00	LABEL				1	1	1	1	1	1	1	1	1	1
64	3614833	LABEL, WARNING				-	-	-	-	1	1	1	1	1	1
65	5413764	± 15V REGULATOR				-	-	-	-	-	-	-	-	1	1
66	3617413-00	ATTENTION LABEL				-	-	-	-	-	-	-	-	1	1
TITLE		ASSY NO.		SIZE	CODE	NUMBER				REV.	ECO NO.				
POWER SUPPLY ASSY (H777)		E-UA-H777-0-0		A	PL	H777-0-0				R					
SHEET 3 OF 3		DIST.													

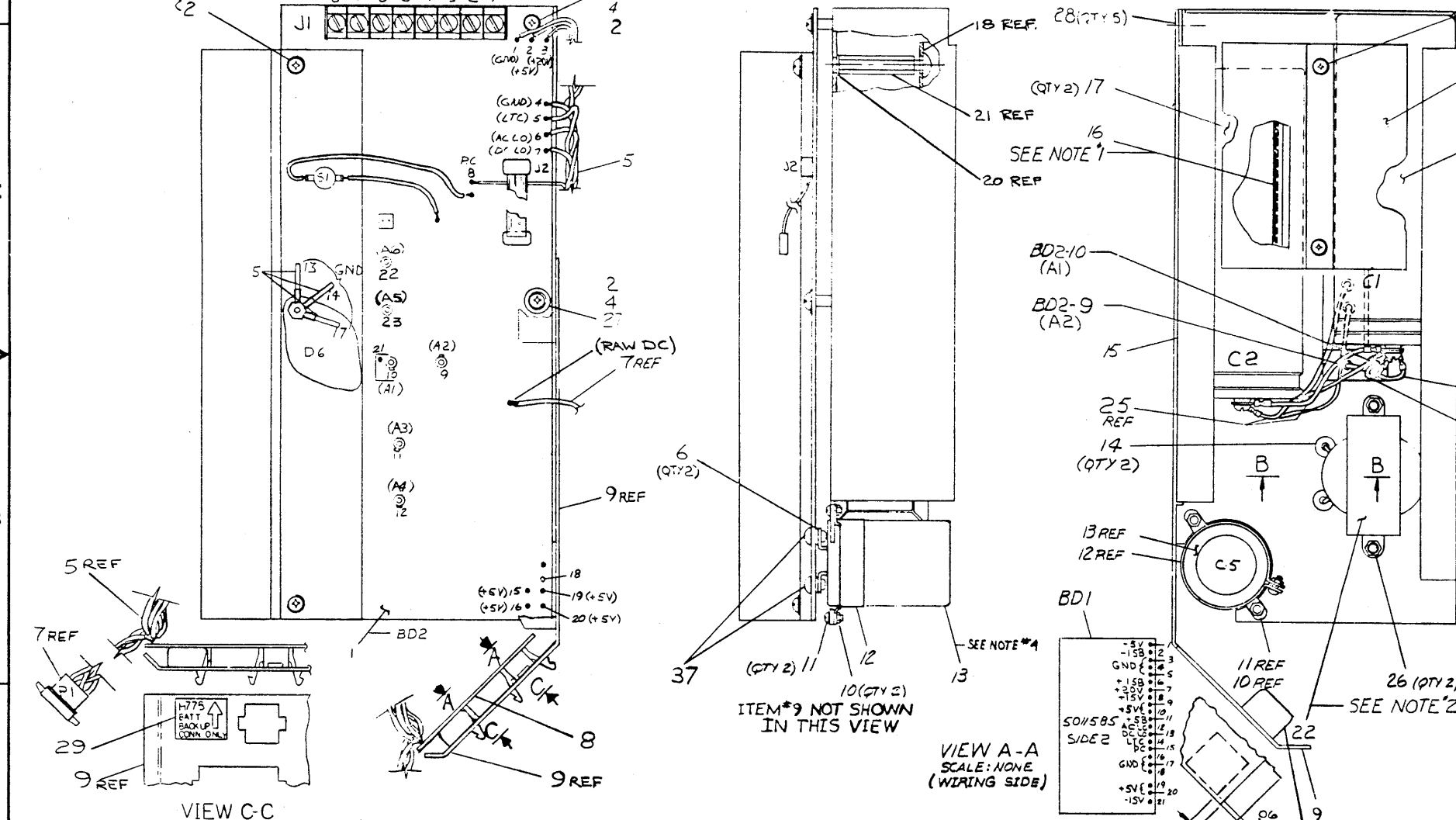
TW

THIS DRAWING AND SPECIFICATIONS HEREIN ARE THE PROPERTY OF DIGITAL EQUIPMENT CORPORATION AND SHALL NOT BE REPRODUCED OR COPIED OR USED IN WHOLE OR IN PART AS THE BASIS FOR THE MANUFACTURE OR SALE OF ITEMS WITHOUT WRITTEN PERMISSION. COPYRIGHT © 1964 DIGITAL EQUIPMENT CORPORATION

### WIRE CHART

ITEM NO	FROM				TO				ITEM NO	FROM				TO								
	AWG	COLOR	POINT NO	CONN	POINT NO	CONN	POINT NO	CONN		AWG	COLOR	POINT NO	CONN	POINT NO	CONN	POINT NO	CONN					
5	20	WHT	1	BD2-8	18	BD1-15			5	14	BLK	28	BD2-3	11	BD1-4							
	14	BRN	2		2	9				18	GRY	4	BD1-8	*9								
	14	BLK	3		1	12				18	WHT	5	BD1-6	*10								
	14	CRN	4		3	13				14	RED	6	BD2-21	*13								
	20	BRN	5		5	19				18	GRN	7	BD1-2	*12								
	20	BLK	6		4	20				14	RED	24		16	22	19	2	14	GRN	-	C1(+)	-
20	YEL	7		6	16			14	RED	27	BD2-20	23	BD1-20			2.5	14	GRN	-	C1(-)	-	C2(-)
20	VIO	8		7	17			18	BLU	1	BD1-21	*11				23	14	RED	-	BD2-10	-	C1(+)
14	BLK	30	BD2-17	10	BD1-3			14	BLK	2	BD1-18	*8				24	14	BLK	-	BD2-9	-	C1(-)
								18	RED	3	BD1-11	*14				22		BARE	-		-	BD2-11
								30	14	RED	-	BD2-22	-	C2(+)		31	14	BLK	-	BD2-23	-	C2(-)

- ### NOTES:
- USE ITEM #16 (GROMMET) TO COVER RAW METAL EDGES UNDER CAPACITORS.
  - LEADS FROM ITEMS #22, 23 & 24 ARE TO BE CUT FLUSH WITH TOP OF CLAMPS ON ITEM #1. A1, A2, A3 & A4
  - \* ASTERISK INDICATES THAT THESE CONN. ALREADY HAVE BEEN MADE ON PLUG PI ON HARNESS D-1A-7011560-0-0 THEY ARE SHOW FOR REF ONLY.
  - ITEMS #17 & #13 ARE TO HAVE THEIR ELECTRICAL CONNECTIONS TORQUED TO 12 IN-LBS (-0,+10) IN-LBS.
  - BRING SCREW TO A NO SLACK POSITION, THEN TIGHTEN WITH 1/2 TO 3/4 TURN ONLY.
  - ITEMS #33 & #34 ARE NOT SHOWN.



### OFF SHEET PARTS LIST

SEE-K-PL-7012909-0-DBP

QTY	DESCRIPTION	DRG/PART NO.	ITEM NO.
1	BUMPER, BLK	9009624	32
1	JUMPER, BLK	B-1A-7011802-0-0	31
1	JUMPER, RED	B-1A-7011801-0-0	30
1	DECAL, EATL BACKUP	A-DC-7416911-00	29
5	SCR FLAT HD #6-32 X.25	9006020-2	28
2	WASHER NYLON #8	9006708	27
2	NUT KEPS #8-32	9006568	26
2	JUMPER (GRN)	B-1A-7011800-0-0	25
1	JUMPER (BLK)	B-1A-7011802-0-0	24
1	JUMPER (RED)	B-1A-7011801-0-0	23
1	CHOKE	1613584	22
2	SPACER HEX #8-32 X1.25	9009103	21
2	WASHER INT TOOTH LCK #8	9006634	20
2	SCR PHIL HD TRUS #8-32 X.38L	9009836-1	19
1	CLAMP CAPACITOR	C-MD-7417408-0-0	18
2	CAPACITOR 24 KUF 50V	1010702	17
1/2	GROMMET CATAPILLAR	9007035	16
1	BRACKET CAPACITOR	B-1A-7419748-1-0	15
2	GROMMET RUBBER	9007017	14
1	CAPACITOR 3900UF/6.0V(65)	7012740-00	13
1	CLAMP CAPACITOR	9009052	12
2	SCR PHIL HD #6-32X.25L	9006020-1	11
2	NUT KEPS #6-32	9002185	10
1	PLATE CAPACITOR CONN SIDE	D-1A-7417517-0-0	9
1	BOARD, PWR DISTR. H777	D-1A-7011560-0-0	7
2	WASH 1375 O.D. X.137 I.D. X.036	9006660	6
1	HARNESS H777 +5V REG	D-1A-7011415-0-0	5
2	SCR PHIL HD PAN #6-32 X.31L	9006021-1	4
2	SCR PHIL HD PAN #6-32 X.50L	9006024-1	3
2	WASHER INT TOOTH LCK #6	9006633	2
1	H777+5V REG (REV & UP)	D-CS-5412-0-0-1	1

REV.	CHANGE NO.	BY	DATE
1	1	H777	11/17/64
2	1	H777	11/17/64
3	1	H777	11/17/64
4	1	H777	11/17/64
5	1	H777	11/17/64
6	1	H777	11/17/64
7	1	H777	11/17/64
8	1	H777	11/17/64
9	1	H777	11/17/64
10	1	H777	11/17/64
11	1	H777	11/17/64
12	1	H777	11/17/64
13	1	H777	11/17/64
14	1	H777	11/17/64
15	1	H777	11/17/64
16	1	H777	11/17/64
17	1	H777	11/17/64
18	1	H777	11/17/64
19	1	H777	11/17/64
20	1	H777	11/17/64
21	1	H777	11/17/64
22	1	H777	11/17/64
23	1	H777	11/17/64
24	1	H777	11/17/64
25	1	H777	11/17/64
26	1	H777	11/17/64
27	1	H777	11/17/64
28	1	H777	11/17/64
29	1	H777	11/17/64
30	1	H777	11/17/64
31	1	H777	11/17/64
32	1	H777	11/17/64

THIRD ANGLE PROJECTION	DRG. NO. H777-LED	FIRST USED ON
REMOVE BURRS AND BREAK SHARP CORNERS	CHK'D BY [Signature]	DATE [Date]
DO NOT SCALE DWG	PROL ENG [Signature]	DATE [Date]
MATERIAL	D-1A-777-0-0	SIZE CODE
FINISH	SCALE	NUMBER
	SHEET 1 OF 1	DIST. 7012909-0-0
		REV. F

**DIGITAL EQUIPMENT CORPORATION**  
MAYNARD, MASSACHUSETTS  
**PARTS LIST**

MADE BY S. ROCHA  
DATE 29 JUL 76  
ENG R. COURTMACHE  
DATE 13 SEP 76

CHECKED D. HEALY  
DATE 2 AUG 76  
PROD R. BARRY  
DATE 13 SEP 76

SECTION 1  
ISSUED SECT. 1

ITEM NO.	DWG NO. / PART NO.	DESCRIPTION	QUANTITY / VARIATION
1	D-CS-5412667-0-1	H777 +5V REG (REV & UP)	1
2	9006633	WASHER, INT TOOTH LOCK #6	4
3	5006025-01	SCR PHIL HD PAN #6-32 x .62L	2
4	5006023-01	SCR PHIL HD PAN #6-32 x .44L	2
5	D-IA-7011415-0-0	HARNES H777 +5V REG	1
6	9006660	WASH, .375 O.D. x .137 I.D. x .036	2
7	D-IA-7011560-0-0	HARNES BD MOS REG PWR DIST	1
8	D-CS-5411586-0-1	BOARD, PWR DISTR. H777	1
9	D-IA-7417017-0-0	PLATE, CAPACITOR CONN SIDE	1
10	9008185	NUT KEPS #6-32	2
11	9006020-1	SCR PHIL PAN HD #6-32 x .25L	2
12	9009052	CLAMP CAPACITOR	1
13	1012740-00	CAPACITOR 3900uf 16.0V (65)	1
14	9007017	GROMMET RUBBER	2
15	E-IA-7413743-1-0	BRACKET CAPACITOR	1
16	9007035	GROMMET CATERPILLAR	A/R
17	1010702	CAPACITOR 24Kuf 50V	2
18	C-MD-7417408-0-0	CLAMP CAPACITOR	1
19	9009836-1	SCR PHIL HD TRUSS #8-32 x .38L	2
20	9006634	WASHER INT TOOTH LOCK #8	2
21	9008258	SPACER HEX #8-32 x 1.375	2
22	1612584	CHOKE	1

TITLE +5V REG ASSY

ASSY NO. D-AD-7012909-0-0  
SHEET 1 OF 2

SIZE CODE A PL  
DISTRIBUTION DIST.

NUMBER 7012909-0-0  
REV. 7012909  
E ML003

DEC FORM DEC 16-(325)-1031-N870  
DRA 110

**DIGITAL EQUIPMENT CORPORATION**  
MAYNARD, MASSACHUSETTS  
**PARTS LIST**

MADE BY S. ROCHA  
DATE 29 JUL 76  
ENG R. COURTMACHE  
DATE 13 SEP 76

CHECKED D. HEALY  
DATE 2 AUG 76  
PROD R. BARRY  
DATE 13 SEP 76

SECTION 1  
ISSUED SECT. 1

ITEM NO.	DWG NO. / PART NO.	DESCRIPTION	QUANTITY / VARIATION
23	B-IA-7011801-0-0	JUMPER (RED)	1
24	B-IA-7011802-0-0	JUMPER (BLK)	1
25	B-IA-7011800-0-0	JUMPER (GRN)	2
26	9006563	NUT KEPS #8-32	2
27	9006707	WASHER NYLON #6	2
28	9000039-07	SCR, FLAT HD #6-32 x .25	5
29	A-DC-7416911-0-0	DECAL, BATT BACKUP	1
30	B-IA-7011801-0-1	JUMPER, RED	1
31	B-IA-7011802-0-1	JUMPER, BLK	1
32	9009624	BUMPER	1
33	9009255-00	LABEL	1
34	9007031	CABLE TIE	2
35	9006071-01	SCR PAN HD #10-32 x .37	4
36	9006636	WASHER LOCK INT .380 OD x .200 ID x .022THK	4
37	9009667	SCR, SEMS, SLOTTED BINDER HD #10-32 x 5/16	2

TITLE +5V REG ASSY

ASSY NO. D-AD-7012909-0-0  
SHEET 2 OF 2

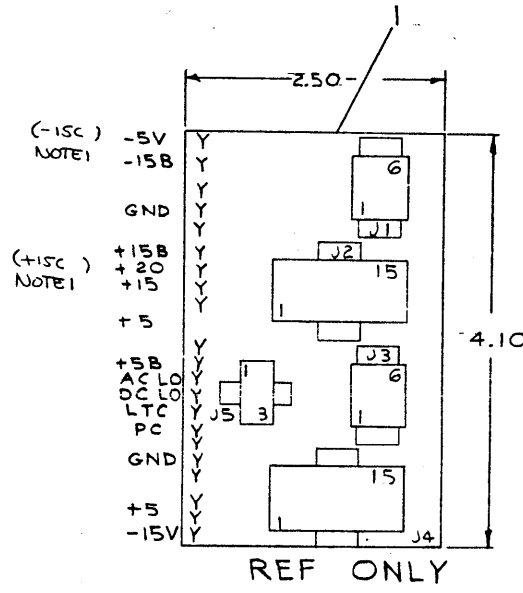
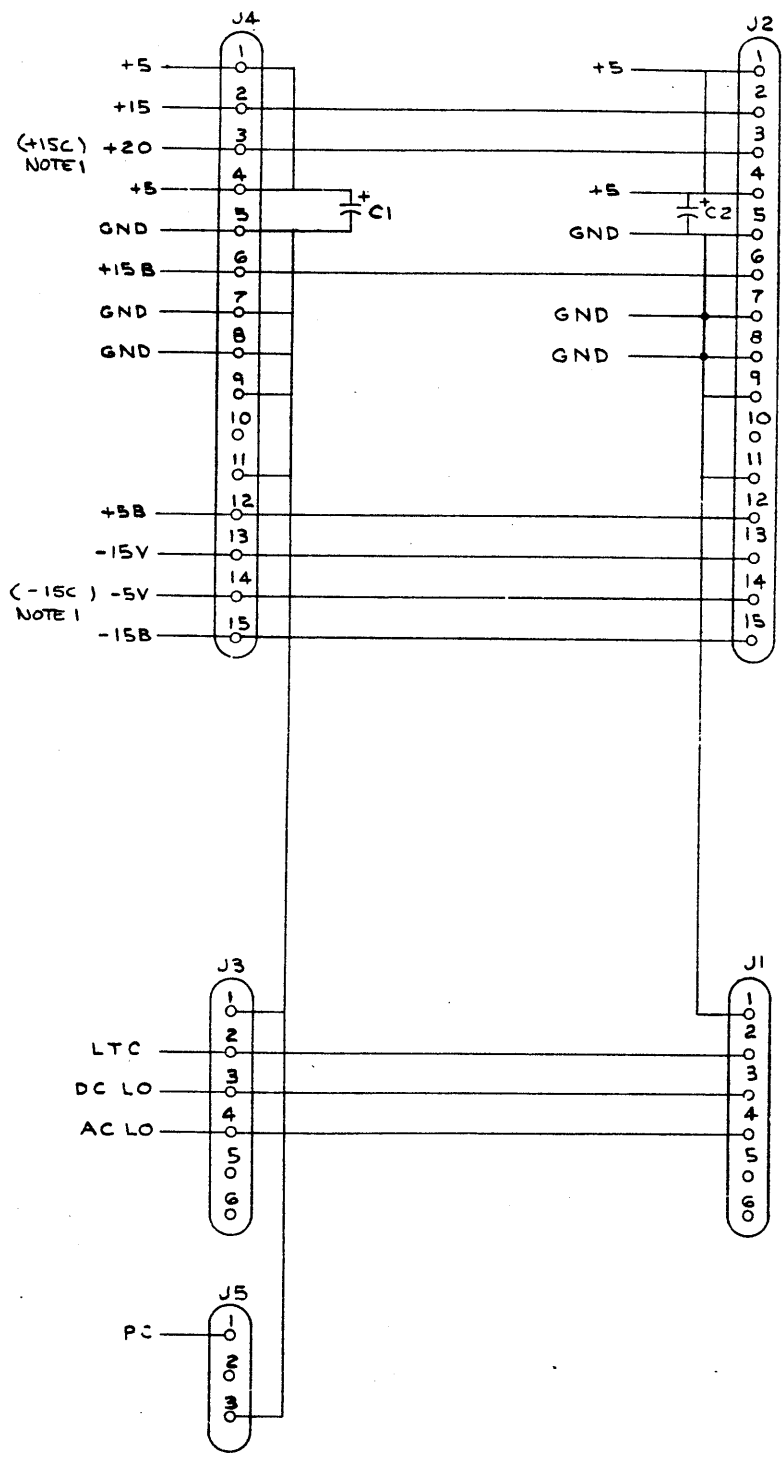
SIZE CODE A PL  
DISTRIBUTION DIST.

NUMBER 7012909-0-0  
REV. 7012909  
E ML003

DEC FORM DEC 16-(325)-1031-N870  
DRA 110

NOTES:  
 1. H777 UA, UB VARIATION ONLY ±15C FROM THE 5413764 MODULE.

"THIS DRAWING AND SPECIFICATIONS, HEREIN, ARE THE PROPERTY OF DIGITAL EQUIPMENT CORPORATION AND SHALL NOT BE REPRODUCED OR COPIED OR USED IN WHOLE OR IN PART AS THE BASIS FOR THE MANUFACTURE OR SALE OF ITEMS WITHOUT WRITTEN PERMISSION. COPYRIGHT © 1972 DIGITAL EQUIPMENT CORPORATION"

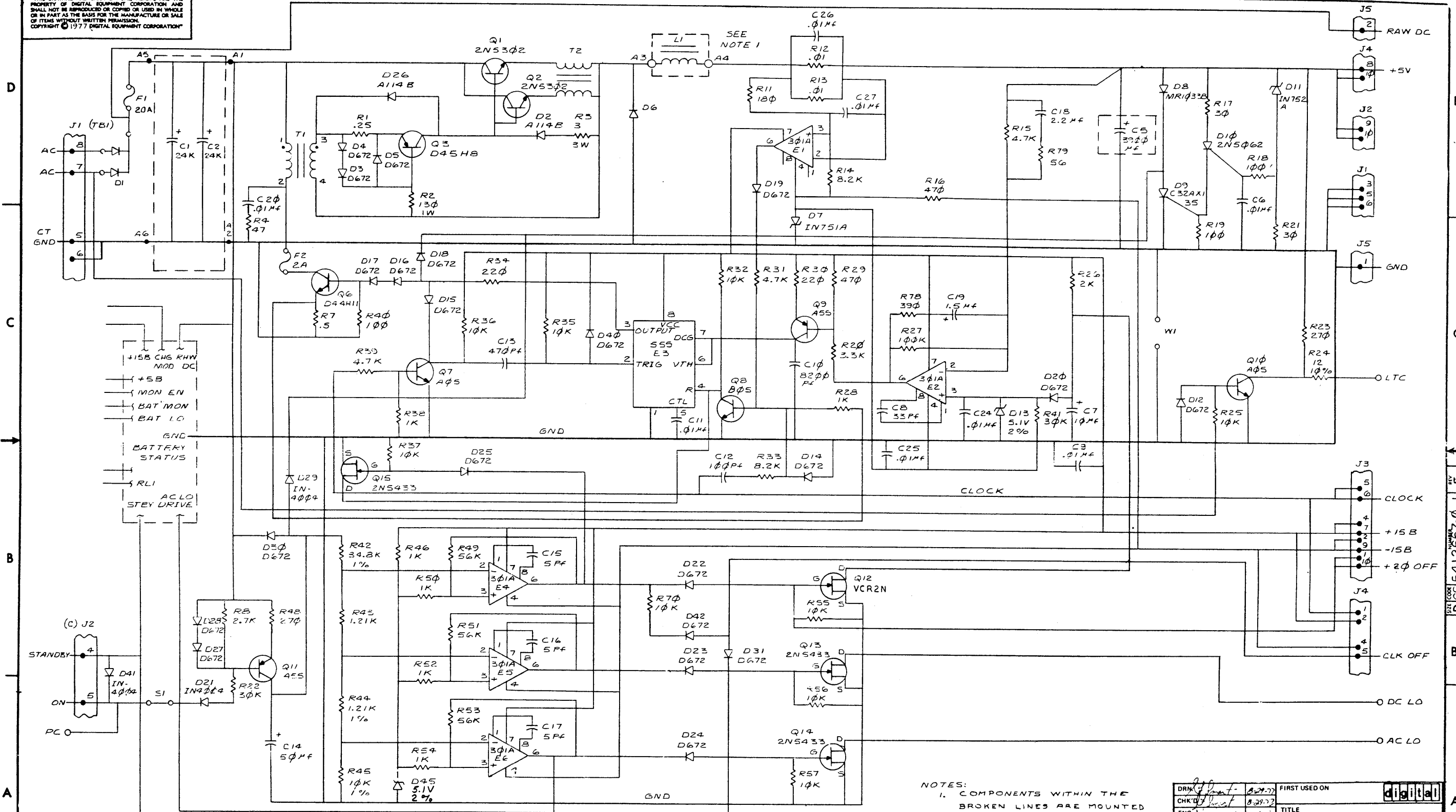


REV.	CHG.	NO.	DATE	BY	CHK'D
D	REVISED	1/20/72			
E	REVISED	1/20/72			
F	REVISED	1/20/72			

DRN. <i>F. Fagan</i>	1-20-72	FIRST USED ON	11/04 PUR SUPP
CHK'D <i>F. Fagan</i>	1-20-72	TITLE	BOARD, POWER DISTRIBUTION H777
ENG. <i>P. Fagan</i>	1-20-72	SIZE	D
PROD. ENG. <i>P. Fagan</i>	1-20-72	CODE	CS 5411586-0-1
PROD. <i>P. Fagan</i>	1-20-72	NUMBER	1
NEXT HIGHER ASSY.		REV.	F
SCALE NONE		SHEET	1 OF 1
		DIST.	

TW

THIS DRAWING AND SPECIFICATIONS, HEREIN, ARE THE PROPERTY OF DIGITAL EQUIPMENT CORPORATION AND SHALL NOT BE REPRODUCED OR COPIED OR USED IN WHOLE OR IN PART AS THE BASIS FOR THE MANUFACTURE OR SALE OF ITEMS WITHOUT WRITTEN PERMISSION. COPYRIGHT © 1977 DIGITAL EQUIPMENT CORPORATION



NOTES:  
1. COMPONENTS WITHIN THE  
BROKEN LINES ARE MOUNTED  
TO THE BOARD ON NEXT  
HIGHER ASS'Y.

DRW	CHK'D	ENG.	PROJ. ENG.	FIRST USED ON	TITLE
					H777 +5V REGULATOR
SIZE CODE	NUMBER	REV.	DIST.		
DCS	5412667-0-1	F			

REVISIONS		REV.	CHG. NO.	CHK.	DATE	BY	DATE	BY	DATE	BY
1	5412667-00001	B								
2	5412667-ML003	D								
3	5412667-ML004	E								
4	5412667-ML005	F								

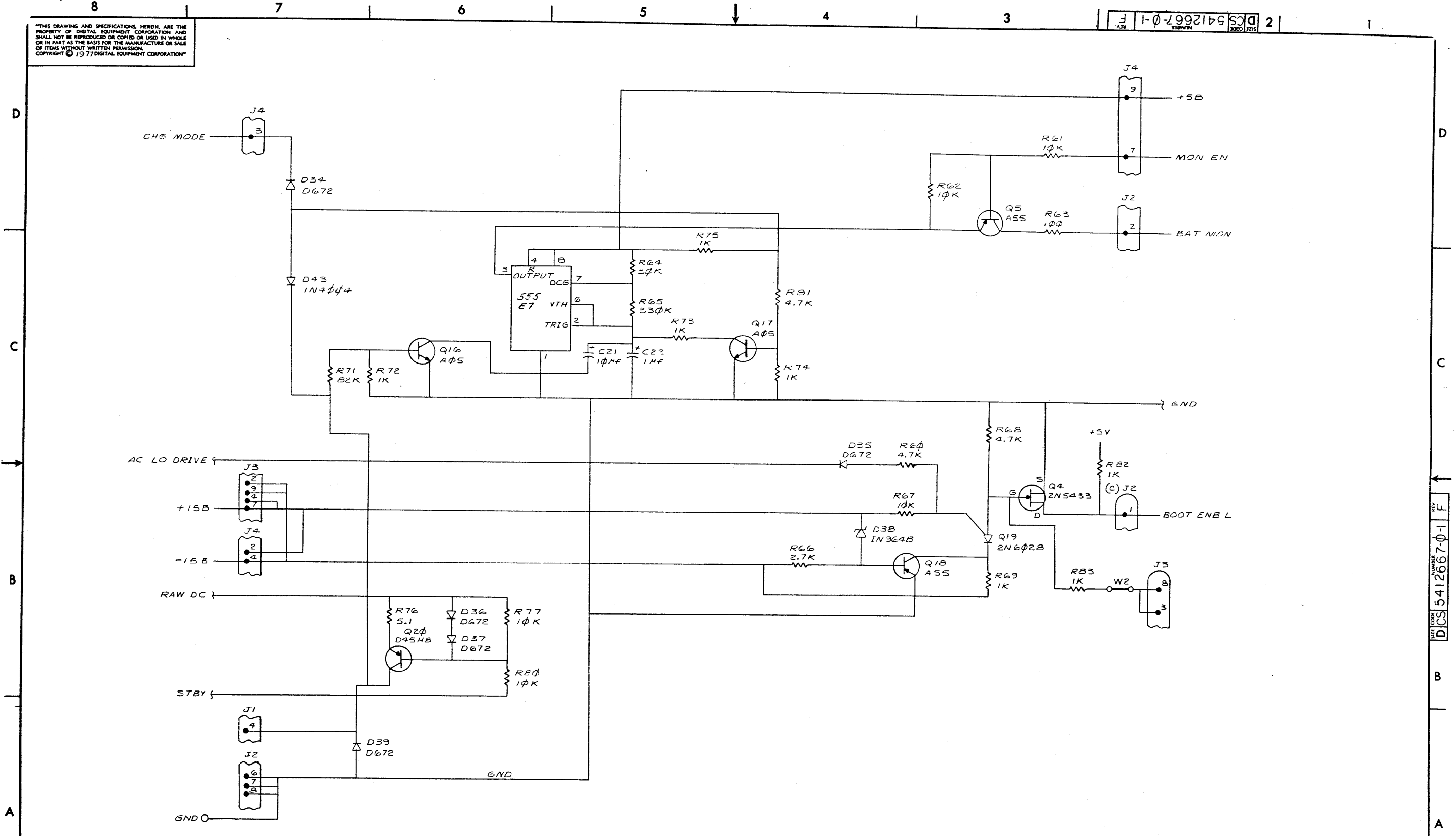
  

SCALE	SHEET	OF	DIST.
1/1	1	2	

REV. F 0-1 5412667-0

THIS DRAWING AND SPECIFICATIONS, HEREIN, ARE THE PROPERTY OF DIGITAL EQUIPMENT CORPORATION AND SHALL NOT BE REPRODUCED OR COPIED OR USED IN WHOLE OR IN PART AS THE BASIS FOR THE MANUFACTURE OR SALE OF ITEMS WITHOUT WRITTEN PERMISSION. COPYRIGHT © 1977 DIGITAL EQUIPMENT CORPORATION

DCS 5412667-0-1 2



REVISIONS		
CHK	CHANGE NO.	REV.

(BATTERY STATUS CRKT'S)

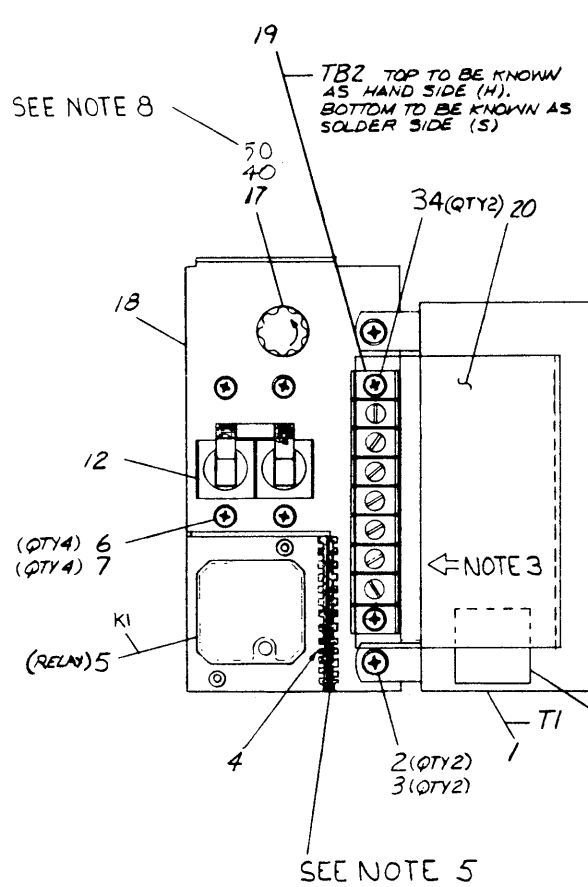
TITLE	H777 +5V REGULATOR	SIZE CODE	NUMBER	REV.
SCALE	1/1	SHEET	2 OF 2	DIST.
DCS 5412667-0-1		F		

THIS DRAWING AND SPECIFICATIONS HEREIN ARE THE PROPERTY OF DIGITAL EQUIPMENT CORPORATION AND SHALL NOT BE REPRODUCED OR COPIED OR USED IN WHOLE OR IN PART AS THE BASIS FOR THE MANUFACTURE OR SALE OF ITEMS WITHOUT WRITTEN PERMISSION. COPYRIGHT © 1970

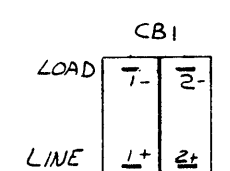
LEGEND		WIRE CHART															
PART NO	VARIATION	ITEM NO	DESCRIP	FROM	TO	REMARKS	ITEM NO	DESCRIP	FROM	TO	REMARKS						
			AVG COLOR	CONN	WITH	CONN			CONN	WITH							
7012910-0	120 V	22	18	OR/WHT	K1-4	SOLD,31	*TB2-3S	SOLD	5 1/2' L			18	BLK	T1	TB2-1H		
7012910-1	240 V	23	18	GR/WHT	K1-6		*TB2-4S	SOLD	5' L			18	TWP	BR/WHT	TB2-3H		
7012910-2	120V (50 HZ)	24	18	WH/OR	K1-7		TB2-5H	2S,	9' L			18	RED		TB2-2H		
		26	18	WH/GR	K1-9		TB2-6H	2S,	9' L			18	TWP	RO/WHT	T1	TB2-4H	
		27	18	GRY	K1-A				13 1/2' L	47	18	GY/BL	G3	SOLD	F1-2	SOLD,31	4' L
		46	18	WH/OR	G-2	SOLD	*TB2-6S	SOLD	6' L	35	18	BLK	TB2-1H		TB2-2H		120V
		47	18	GR/BL	F1-1	SOLD,31	*TB2-4S	SOLD	3' L	36	18	WHT	TB2-3H		TB2-4H		120V
		43	18	BRN	CBI(2)LOAD	28,31	*TB2-6S	SOLD	7 1/2' L	35	18	BLK	TB2-2H		TB2-3H		230V
		43	TWP	BLU	CBI(1)LINE	28,31	*TB2-1S	SOLD	7 1/2' L	13	22	BARE	R1-A		G3	SOLD,33	
		45	14	BLU	CBI(1)LINE		NOTE 6		17' L	13	22	BARE	R1-B		G2	SOLD,33	
		45	TWP	BRN	CBI(2)LINE		NOTE 6		17' L	48	18	BL/WHT	K1-8	SOLD,31	TB2-1S	2S	4' L
		15	18	WHT	*TB2-7S	SOLD	J2-2	30,32	10' L	49	18	WH/BL	K1-5	SOLD,31	TB2-7H	2S	5 1/2' L
		15	TWP	BLK	*TB2-5S	SOLD	J2-1	30,32	9' L								
		15	TWP	BLK	*TB2-7S	SOLD	J3-2	30,32	10' L								
		15	TWP	BLK	*TB2-5S	SOLD	J3-1	30,32	15 1/2' L								

- NOTES:
- COVER ITEM #26 WITH ITEM #31 - COVER ENTIRE CONN.
  - TWISTED PAIR WIRE TO HAVE A MIN OF 3 TWIST PER FT AS PER WIRE CHART.
  - ALL CONNECTIONS TO TB2 ARE TO BE MADE FROM SIDE INDICATED BY ARROW.
  - USE TIE WRAPS (ITEM 30) AS NEEDED.
  - T1 PRIMARY WIRES TO TB2 MUST BE ROUTED BY ITEM 4
  - NO CONNECTION IS MADE AT THIS ASSY LEVEL REFER TO PRINT E-UA-H777-0-0
  - FOR VARIATION -0,-1 USE ITEMS 16 AND 19. FOR VARIATION -2 SEE DETAIL "F".
  - FOR VARIATION -0,-1 USE ITEM 40. FOR VARIATION -2, USE ITEM 50
  - TWIST LEADS AND SOLDER. CUT LEADS AND USE SHRINK TUBING FOR INSULATION.

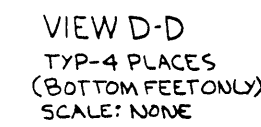
D  
C  
B  
A



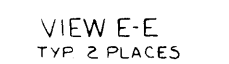
\* INDICATES SOLDER CONN. SHARED WITH OTHER CONN. WITH SAME COMMON CONN.



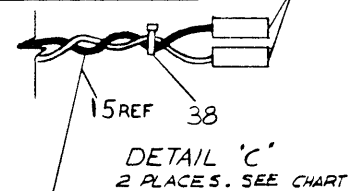
VIEW A-A  
REAR VIEW OF CBI  
(ITEM #12) FOR WIRING ONLY.



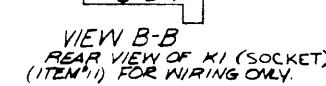
VIEW D-D  
TYP-4 PLACES  
(BOTTOM FEET ONLY)  
SCALE: NONE



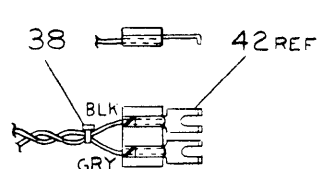
VIEW E-E  
TYP 2 PLACES



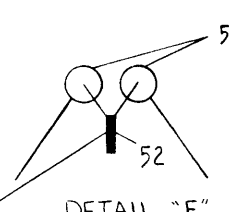
DETAIL "C"  
2 PLACES. SEE CHART



VIEW B-B  
REAR VIEW OF K1 (SOCKET)  
(ITEM #11) FOR WIRING ONLY.



DETAIL "E"  
SEE CHART



DETAIL "F"  
SEE NOTE 9

CAUTION: OFF SHEETS PARTS LIST EXISTS.  
SEE K-PL-7012910-0-DBP(Z4684)

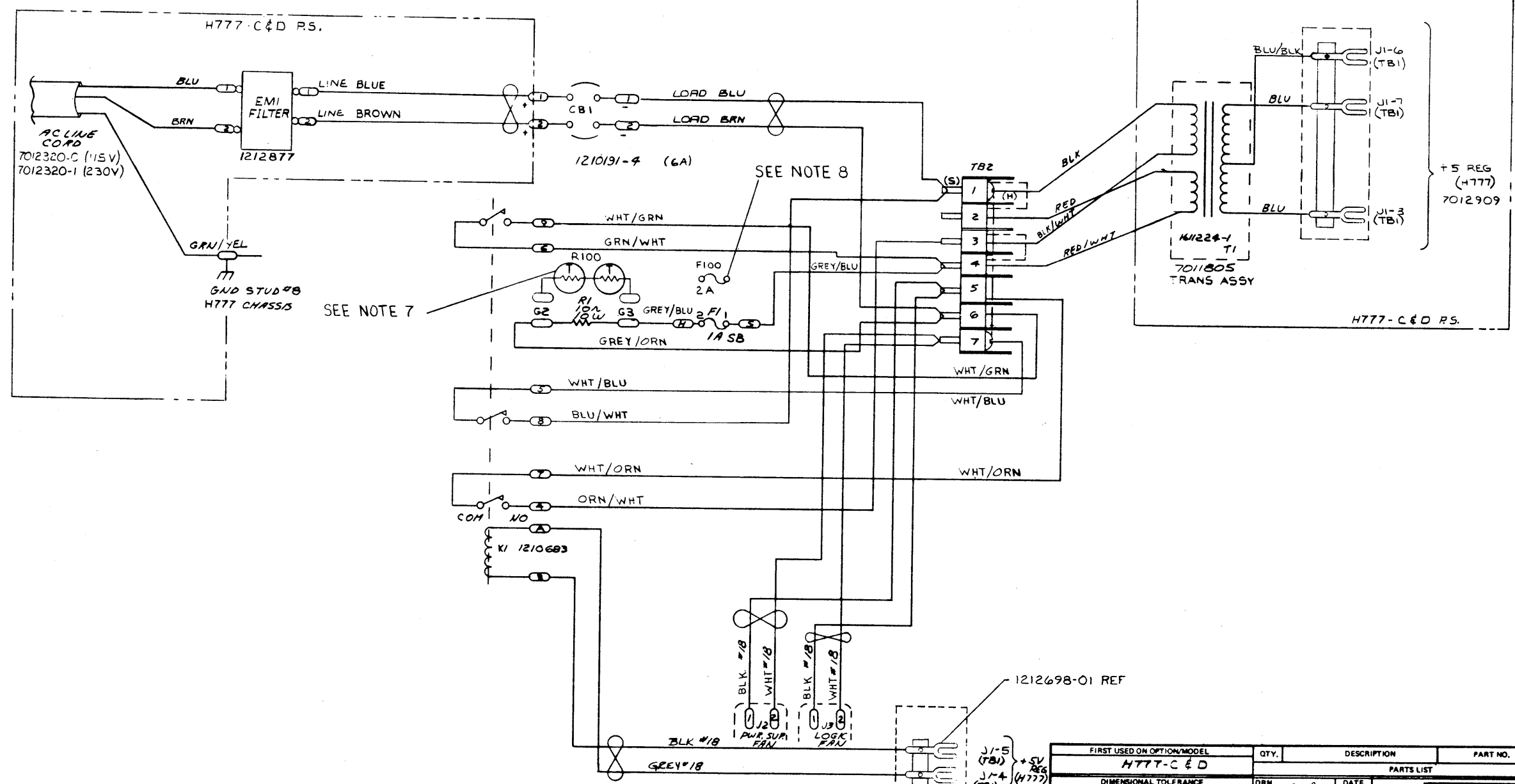
REV.	DATE	BY	CHKD	DESCRIPTION
1	11/17/70	R. DAY		REVISED TO 240V
2	11/17/70	R. DAY		REVISED TO 120V (50 HZ)
3	11/17/70	R. DAY		REVISED TO 120V
4	11/17/70	R. DAY		REVISED TO 240V
5	11/17/70	R. DAY		REVISED TO 120V (50 HZ)
6	11/17/70	R. DAY		REVISED TO 120V
7	11/17/70	R. DAY		REVISED TO 240V
8	11/17/70	R. DAY		REVISED TO 120V (50 HZ)
9	11/17/70	R. DAY		REVISED TO 120V
10	11/17/70	R. DAY		REVISED TO 240V
11	11/17/70	R. DAY		REVISED TO 120V (50 HZ)
12	11/17/70	R. DAY		REVISED TO 120V
13	11/17/70	R. DAY		REVISED TO 240V
14	11/17/70	R. DAY		REVISED TO 120V (50 HZ)
15	11/17/70	R. DAY		REVISED TO 120V
16	11/17/70	R. DAY		REVISED TO 240V
17	11/17/70	R. DAY		REVISED TO 120V (50 HZ)
18	11/17/70	R. DAY		REVISED TO 120V
19	11/17/70	R. DAY		REVISED TO 240V
20	11/17/70	R. DAY		REVISED TO 120V (50 HZ)
21	11/17/70	R. DAY		REVISED TO 120V
22	11/17/70	R. DAY		REVISED TO 240V
23	11/17/70	R. DAY		REVISED TO 120V (50 HZ)
24	11/17/70	R. DAY		REVISED TO 120V
25	11/17/70	R. DAY		REVISED TO 240V
26	11/17/70	R. DAY		REVISED TO 120V (50 HZ)
27	11/17/70	R. DAY		REVISED TO 120V
28	11/17/70	R. DAY		REVISED TO 240V
29	11/17/70	R. DAY		REVISED TO 120V (50 HZ)
30	11/17/70	R. DAY		REVISED TO 120V
31	11/17/70	R. DAY		REVISED TO 240V
32	11/17/70	R. DAY		REVISED TO 120V (50 HZ)
33	11/17/70	R. DAY		REVISED TO 120V
34	11/17/70	R. DAY		REVISED TO 240V
35	11/17/70	R. DAY		REVISED TO 120V (50 HZ)
36	11/17/70	R. DAY		REVISED TO 120V
37	11/17/70	R. DAY		REVISED TO 240V
38	11/17/70	R. DAY		REVISED TO 120V (50 HZ)
39	11/17/70	R. DAY		REVISED TO 120V
40	11/17/70	R. DAY		REVISED TO 240V
41	11/17/70	R. DAY		REVISED TO 120V (50 HZ)
42	11/17/70	R. DAY		REVISED TO 120V
43	11/17/70	R. DAY		REVISED TO 240V
44	11/17/70	R. DAY		REVISED TO 120V (50 HZ)
45	11/17/70	R. DAY		REVISED TO 120V
46	11/17/70	R. DAY		REVISED TO 240V
47	11/17/70	R. DAY		REVISED TO 120V (50 HZ)
48	11/17/70	R. DAY		REVISED TO 120V
49	11/17/70	R. DAY		REVISED TO 240V
50	11/17/70	R. DAY		REVISED TO 120V (50 HZ)
51	11/17/70	R. DAY		REVISED TO 120V
52	11/17/70	R. DAY		REVISED TO 240V

DESCRIPTION	DWG./PART NO.	ITEM NO.
UNLESS OTHERWISE SPECIFIED DIMENSIONS ARE IN INCHES		
ANGLES 10° 30'		
SURFACE QUALITY IN		
QUANTITY & VARIATION		
THIRD ANGLE PROJECTION		
REMOVE BURRS AND BREAK SHARP CORNERS		
DO NOT SCALE DWG		
MATERIAL		
FINISH		
DRG. # 11/17/70		
CHK'D. S. YOUNG		
ENG. R. B. BROWN		
PROJ. ENG. R. B. BROWN		
PROD. R. B. BROWN		
NEXT HIGHER ASSY.		
D-1A-H777-0-0		
SCALE 1:1		
SHEET 1 OF 2		
FIRST USED ON H777-C & D		
TITLE A C INPUT ASSY (120V/240V)		
SIZE D		
CODE AD		
NUMBER 7012910-0-0		
REV. N		

7012910-0-0

THE DRAWING AND SPECIFICATIONS HEREIN ARE THE PROPERTY OF DIGITAL EQUIPMENT CORPORATION AND SHALL NOT BE REPRODUCED OR COPIED OR USED IN WHOLE OR IN PART AS THE BASIS FOR THE MANUFACTURE OR SALE OF ITEMS WITHOUT WRITTEN PERMISSION. COPYRIGHT © 1970 DIGITAL EQUIPMENT CORPORATION

0-0-0162102 2



SEE NOTE 7

SEE NOTE 8

1212698-01 REF

FIRST USED ON OPTION/MODEL H777-C&D		QTY.	DESCRIPTION	PART NO.	ITEM NO.
PARTS LIST					
DIMENSIONAL TOLERANCE		DRN	DATE	digital	
DIMENSIONS ARE INCHES UNLESS OTHERWISE SPECIFIED		CM'D	DATE		
MILLIMETERS	INCHES	ANGLS	DATE	TITLE	
X.XX ±0.10	X.X ±0.05	° ±30'	DATE	AC INPUT ASSY	
X.X ±0.10	X.X ±0.05	° ±30'	DATE	(120V/240V)	
X ±0.2	X ±0.1	° ±30'	DATE		
THIRD ANGLE PROJECTION	REMOVE BURRS AND BREAK SHARP CORNERS SURFACE QUALITY	NEXT HIGHER ASSY.	DATE		
MATERIAL	FINISH	SCALE	DATE	SIZE CODE NUMBER REV.	
		SHEET 2 OF 2	DATE	D AD 7012910-0-0 N	
				DIST.	

REVISIONS	REV.
CHK	
CHANGE NO.	

REV. N  
D AD 7012910-0-0



LINE ITEM	DOCUMENT NUMBER	PART NUMBER	DESCRIPTION	QUANTITY PER VARIATION			
				00	01	02	
1	1	C-IA-7011805-0-0	7011805-00	TRANSFORMER ASSY	1	1	1
2	2		9006037-01	SCREW,MACH PAN PHIL 8-	2	2	2
3	3		9006634-00	WASHER,LOCK INTERNAL STEEL	2	2	2
4	4		9007035-00	GROMMET,CATERPILLAR NYLON	A/R	A/R	A/R
5	5		1210683-00	RLY,G.P., 12V COIL,3PDT,10A	1	1	1
6	6		9006020-01	SCREW,MACH PAN PHIL 6-	4	4	4
7	7		9006633-00	WASHER,LOCK INTERNAL STEEL	10	10	10
8	8		9006842-00	SPACER,HEX,THD'D,ALUM 6-32X 5	2	2	2
9	9		9007794-01	SCREW,MACH PAN PHIL 6-	2	2	2
10	10		9006021-01	SCREW,MACH PAN PHIL 6-	2	2	2
11	11		1212789-00	SKT,RELAY 11PIN	1	1	1
12	12		1210191-04	CKT BKR 6.0 A 250V 2P MAGNETIC	1	1	1
13	13		1300173-00	10.0 10.0 N 5.0 % WW	1	1	-
14	14		9006966-00	TERM PCB 2POS INSULATED,TURRE	2	2	2
15	15		9107430-09	WIRE,TWP 18AWG( 19/30)IPVC 150V	A/R	A/R	A/R
16	16		9009771-02	CLAMP, CABLE,PVC, 3/8"ID,SELF ST	1	1	-
17	17		1212893-00	FUSE HOLDER, 20A, 300V, PNL MNT	1	1	1
18	18	D-IA-7417219-0-0	7417219-00	BRACKET COMPONENT	1	1	1
19	19		1212788-00	TERM BLOCK 7POS .375 SPACING	1	1	1
20	20	B-IA-7414743-1-0	7414743-01	SHIELD, TERM	1	1	1
21	21		9008264-00	MOUNT, CABLE TIE, ADHESIVE BACKE	1	1	1
22	22		9107410-39	WIRE, 18AWG( 19/30)IPVC 150V	A/R	A/R	A/R
23	23		9107410-59	WIRE, 18AWG( 19/30)IPVC 150V	A/R	A/R	A/R
24	24		9107410-93	WIRE, 18AWG( 19/30)IPVC 150V	A/R	A/R	A/R
25	25		9007929-00	TERM,RING #5,6STUD CRIMP 16-2	2	2	2
26	26		9107410-95	WIRE, 18AWG( 19/30)IPVC 150V	A/R	A/R	A/R
27	27		9107430-08	WIRE,TWP 18AWG( 19/30)IPVC 150V	A/R	A/R	A/R
28	28		9007970-00	TERM,QUICK .300TAB CRIMP 18-2	2	2	2
29	29	BLANK			0	0	0
30	30		1210820-02	CONN TERMINAL,REELED	4	4	4

REVISION HISTORY		BASIC PART NO: 7012910		DRN:	A. ROCHA	DATE:	19-JUL-76	DIGITAL			
ENG	ECC NUMBER	REV	SECTION A OF A	CHK'D:	D. HEALY <td>DATE:</td> <td>27-JUL-76 <td colspan="2">TITLE</td> <td colspan="2">PARTS LIST</td> </td>	DATE:	27-JUL-76 <td colspan="2">TITLE</td> <td colspan="2">PARTS LIST</td>	TITLE		PARTS LIST	
W.B.	7012910-ML007	N	SECTION. VARIATION INDEX					A/C INFHT ASSY (120V/270V)			
			[A] 00,01,02	DES.ENG.:	R. BARRY <td>DATE:</td> <td>17-SEP-76</td> <td colspan="4">DOCUMENT NUMBER</td>	DATE:	17-SEP-76	DOCUMENT NUMBER			
			[B]	RESP.ENG.:	R. BARRY <td>DATE:</td> <td>17-SEP-76</td> <td>SIZE</td> <td>CODE</td> <td>NUMBER</td> <td>REV</td>	DATE:	17-SEP-76	SIZE	CODE	NUMBER	REV
			[C]	MFG.ENG.:	R.B.KING <td>DATE:</td> <td>21-SEP-76</td> <td>K</td> <td>PL</td> <td>7012910-0-DBP</td> <td>N</td>	DATE:	21-SEP-76	K	PL	7012910-0-DBP	N
			[D]	ASSEMBLY NUMBER:	D-AD-7012910-0-0	TOP DOCUMENT NUMBER:	D-AD-7012910-0-0	FILE NAME:	Z4684N.PLS		EDIT #
			[E]								6

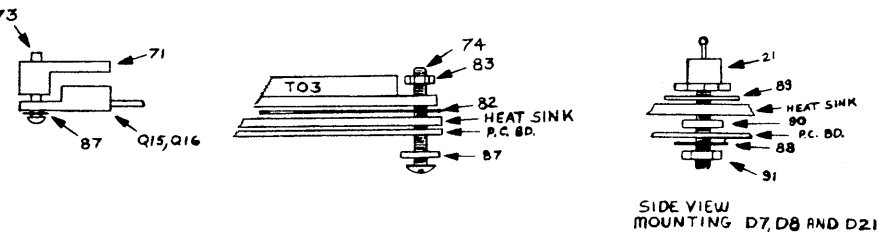
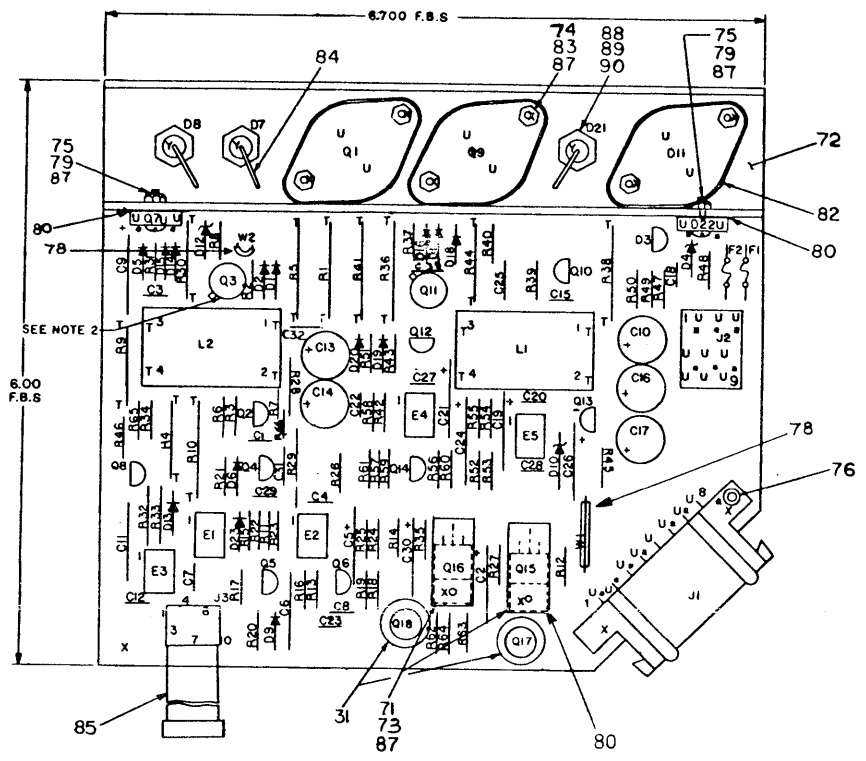
\*THIS DRAWING AND SPECIFICATIONS HEREIN, ARE THE PROPERTY OF DIGITAL EQUIPMENT CORPORATION AND SHALL NOT BE REPRODUCED OR COPIED OR USED IN WHOLE OR IN PART AS THE BASIS FOR THE MANUFACTURE OR SALE OF ITEMS WITHOUT WRITTEN PERMISSION. COPYRIGHT (C) 1982. DIGITAL EQUIPMENT CORPORATION \*

LINE	ITEM	DOCUMENT NUMBER	PART NUMBER	DESCRIPTION	QUANTITY PER VARIATION		
					00	01	02
31	31		9107305-02	TUBING,SHRINK 3/16DIA.EXP UL	A/R	A/R	A/R
32	32		1210820-01	SOCKET HOUSING	4	4	4
33	33		9107278-02	TUBING,THIN WALL,.042ID UL	A/R	A/R	A/R
34	34		9008020-02	SCREW,MACH FLAT PHIL 6-	2	2	2
35	35	B-IA-7011797-0-0	7011797-00	JUMPER 2" BLK	1	1	1
36	36	B-IA-7011798-0-0	7011798-00	JUMPER 2" WHT	1	-	1
37	37		9007786-00	RETAINER, U-NUT, 10-32	4	4	4
38	38		9007031-00	TIE,CABLE BUNDL.DIA 0- 3/4"=101	A/R	A/R	A/R
39	39	BLANK			0	0	0
40	40		9007212-00	FUSE,SLO BLD 1 A,250V GLASS	1	1	-
41	41	BLANK			0	0	0
42	42		1212698-01	TERM STRIP 2POS .375 SPACING	1	1	1
43	43		9107430-16	WIRE,TWP 18AWG( 19/30)IPVC 150V	A/R	A/R	A/R
44	44		9003656-00	WASHER,FLAT STEEL	2	2	2
45	45	C-IA-7417286-0-0	7417286-00	BRACKET, STOP	1	1	1
46	46		9107410-83	WIRE, 18AWG( 19/30)IPVC 150V	A/R	A/R	A/R
47	47		9107410-86	WIRE, 18AWG( 19/30)IPVC 150V	A/R	A/R	A/R
48	48		9107410-69	WIRE, 18AWG( 19/30)IPVC 150V	A/R	A/R	A/R
49	49		9107410-96	WIRE, 18AWG( 19/30)IPVC 150V	A/R	A/R	A/R
50	50		9007216-00	FUSE,SLO BLD 2 A,250V GLASS	-	-	1
51	51		1317198-00	7.0 10.0 % NTC THERM	-	-	2
52	52		9107255-09	TUBING,SHRINK 1/8 DIA.EXP UL	-	-	A/R

D I G I T A L				TITLE	SECTION A OF A		SIZE	CODE	DOCUMENT NUMBER	REV
				A/C INPUT ASSY (120V/230V)			K	PL	7012910-0-UBP	N

THIS DRAWING AND SPECIFICATIONS HEREAFTER ARE THE PROPERTY OF DIGITAL EQUIPMENT CORPORATION AND SHALL NOT BE REPRODUCED OR COPIED OR USED IN WHOLE OR IN PART AS THE BASIS FOR THE MANUFACTURE OR SALE OF ITEMS WITHOUT WRITTEN PERMISSION.  
 COPYRIGHT © 1975 DIGITAL EQUIPMENT CORPORATION

**NOTES:**  
 1. SEE PARTS LIST FOR CURRENT HDW. D7, D8, D21  
 2. USE TRANSPAD DEC# 9007201 UNDER Q3, Q11, Q17, Q18  
 3. TORQUE Q1, Q9, D7, D8, D11, & D21 HARDWARE TO 6-8 IN.-LBS.



QTY	REF.	REF. DESIGNATION	DESCRIPTION	PART NO.	ITEM NO.	QTY	REF. DESIGNATION	DESCRIPTION	PART NO.	ITEM NO.
1	R18		RESISTOR, 8.2K, 1/4W, 5%	1303179	51	REF		X-Y COORDINATE HOLE LOCATION	K-CO-5411601-0-4	1
1	R28		RESISTOR, 4.99K, 1/4W, 1% MF	1305324	52	REF		ASSY/DRILLING HOLE LAYOUT	D-AH-5411601-0-5	2
2	R1, R36		RESISTOR, 1.2W, 5% WW	1305428	53	REF		MODULE ECO HISTORY	B-WH-5411601-0-6	3
1	R56		RESISTOR, 5/1, 1/4W, 5%	1309422	54	1		ETCHED CIRCUIT BOARD	5011680	4
1	R5		RESISTOR, .150, 2W, 10%	1310147	55	2	C20, C4	CAPACITOR, 33pf, 100V, 5%	1000009	5
1	R32		RESISTOR, 2.21K, 1/4W, 1%	1310631	56	1	C8	CAPACITOR, 100pf, 100V, 5%	1000016	6
1	D22		DIODE 2N4441 SCR	1505867	57	1	C7	CAPACITOR, 220pf, 100V, 5%	1000027	7
3	Q3, Q11, Q17		TRANSISTOR, 2N4036	1509700	58	1	C25	CAPACITOR, .1mf, 100V, 20% DISC	1000030	8
1	Q18		TRANSISTOR, DEC 3734	1510062	59	7	C3, C12, C18, C27, C28, C32, C33	CAPACITOR, .01mf, 100V, DISC	1001810-01	9
1	Q7		TRANSISTOR, MJE3055	1510555	60	7				
7	Q4, Q5, Q6, Q8, Q12 THRU Q14		TRANSISTOR, XA05	1510705	61	6	C2, C5, C9, C19, C26, C30	CAPACITOR, 1mf, 35V, 10%	1001776	10
2	Q2, Q10		TRANSISTOR, XB55	1510706-1	62	2	C29, C31	CAPACITOR, 47mf, 25V, 20%	1010279	11
1	Q16		TRANSISTOR, D45H8	1510708	63	1	C24	CAPACITOR, 10mf, 20V, 10%	1004813	12
2	Q1, Q9		TRANSISTOR, 2N5038	1510969	64	2	C8, C21	CAPACITOR, .01mf, 100V, 10% MYLAR	1005784	13
1	Q15		TRANSISTOR, D44H5	1512722	65	1	C11	CAPACITOR, .015mf, 50V, 2% POLYCY	1010646	14
2	L1, L2		INDUCTOR, 500UH	1612593	66	2	C13, C14	CAPACITOR, 390pf, 20V	1012607-06	15
2	E2, E5		I.C. L.M. 301A	1910282	67	1	C17	CAPACITOR, 120mf, 6.3V	1012607-01	16
3	E1, E3, E4		I.C. L.M. 555	1911944	68	2	C10, C16	CAPACITOR, 180mf, 50V	1012607-02	17
1	C22		CAPACITOR, 470pf, 100V, 5%	1000024	69	1	D4	DIODE 1N752A	1102808	18
1	C23		CAPACITOR, 180pf, 100V, 5%	1000020	70	11	D1, D2, D6, D13 THRU D17, D19, D20, D23	DIODE D672	1105275	19
2			HEAT SINK	7414765	71					
2			HEAT SINK	7413842	72	1	D9	DIODE 1N4004	1105796	20
1			SCREW #4-40 x 7/16 LG.	9006012-1	73	3	D7, D8, D21	DIODE, 1N3880	1109440	21
6			SCREW #4/40 x 1/2 LG.	9006013-1	74	1	D12	DIODE 1N4742	1109592	22
2			SCREW, NYLON #4/40 x .375LG.	9006014-4	75	1	D10	DIODE 1zt 5ma 5.1V, 2%	1110713	23
1			EYELET	9009000	76	1	D3	DIODE 2N5062	1110888	24
4			TRANSPAD	9007201	77	2	D5, D18	DIODE A114B	1112595-01	25
A/R			TUBING	9107256-11	78	1	D11	DIODE DUAL	1112723-00	26
2			NUT, NYLON #4/40	9007992	79	2	F1, F2	FUSE 5A	1209070	27
2			SILPAD TO 22	1213071-06	80	1	J1	CONN. 8 PIN MATE-N-LOC	1209340-00	28
A/R			THERMAL COMPOUND	9008268	81	1	J2	CONN. 9 PIN MATE-N-LOC	1209350-09	29
3			SILPAD TO 3	1213071-02	82	17		PINS	1209458-01	30
6			NUT, KEP #4/40	9006557	83	2	(Q18), (Q17)	HEAT SINK	1210001	31
A/R			WIRE #20 AWG STRANDED	9107400-66	84	4	R2, R37, R47, R50	RESISTOR, 33, 1/4W, 5%	1300197	32
1	J3		CONTROL CABLE	201414-0D	85	2	R12, R14	RESISTOR, 68, 1/4W, 5%	1300219	33
2			<del>WASHER, LOCK, INTERNAL TOOTH</del>	<del>9006032</del>	<del>86</del>	<del>8</del>	R6, R27, R35, R39, R48, R49, R63, R84	RESISTOR, 100, 1/4W, 5%	1300229	34
10			WASHER, FLAT	9008172	87		R84	RESISTOR, 100, 1W, 5%	1300232	35
3			WASHER, FLAT	9006666	88	2	R9, R44	RESISTOR, 390, 1/4W, 5%	1300309	36
3			SILPAD, STUD MOUNT	1213071-05	89	1	R52	RESISTOR, 1K, 1/4W, 5%	1300385	37
3			BUSHING, NYLON	9008440	90	7	R19, R20, R54, R59, R60, R62, R25	RESISTOR, 1.5K, 1/4W, 5%	1300391	38
3			NUT, HEX #10-32	9006565	91	1	R45	RESISTOR, 2.49K, 3/4W, 1%	1300424	39
AR	W1, W2		WIRE #20 AWG, SOLID	9107560-02	93	3	R11, R43, R61	RESISTOR, 7K, 1/4W, 5%	1300426	40
1			LABEL POWER SUPPLY	9009255-00	94	2	R7, R65	RESISTOR, 4.7K, 1/4W, 5%	1300447	41
2			TIE, CABLE	9007031	95	2	R23, R56	RESISTOR, 5.62K, 1/4W, 1%	1305128	42
2	C1, C15		CAPACITOR, .02UF, 100V, DISC.	1000004	96	11	R13, R15, R16, R17, R21, R22, R42	RESISTOR, 10K, 1/4W, 5%	1300479	43
1	R3		RESISTOR, 56, 1/4W, 5%	1302602	97		R46, R51, R57, R58	RESISTOR, 100K, 1/4W, 5%	1302466	44
1	R33		RESISTOR, 2.49K, 1/4W, 1%	1312626	98	2	R53, R24	RESISTOR, 10, 1/4W, 5%	1301317	45
1	R38		RESISTOR, .10, .2W, 10%	1316012	99	3	R8, R31, R40	RESISTOR, 330, 2W, 10%	1301961	46
						2	R10, R41	RESISTOR, 2K, 1/4W, 5%	1302388	47
						1	R66	RESISTOR, 180, 1/4W, 5%	1301322	48
						1	R4	RESISTOR, 1.2K, 1W, 10%	1302460	49
						1	R30	RESISTOR, 1.8K, 1W, 5%	1303122	50

ALTERNATE PARTS LIST

QTY	REF. DESIGNATION	DESCRIPTION	PART NO.	ITEM NO.	QTY	REF. DESIGNATION	DESCRIPTION	PART NO.	ITEM NO.
1		EYELET	9006732	76	1	R4	RESISTOR, 1.2K, 1W, 10%	1302460	49
7	C5, C12, C18, C27, C28, C32, C33	CAPACITOR .01 MF 50V	1001010-00	9	1	R30	RESISTOR, 1.8K, 1W, 5%	1303122	50

IC TYPE	QND	+5V
QND AND 5V ARE USUALLY PIN 7 AND 14 RESPECTIVELY EXCEPTIONS ARE STATED ABOVE		
IC PIN LOCATIONS		
8	7	6
5	4	3
2	1	

CAUTION: FOR PARTS LIST REFER TO K-PL-5411601-0-DBP (Z1295F)

REVISIONS

NO.	BY	DATE	DESCRIPTION
1	W.F. BAUSHA	12-30-81	
2	W.F. BAUSHA	1-16-82	
3	A. BARON	7-27-82	
4	A. BARON	7-27-82	
5	A. BARON	7-27-82	
6	A. BARON	7-27-82	
7	A. BARON	7-27-82	
8	A. BARON	7-27-82	
9	A. BARON	7-27-82	
10	A. BARON	7-27-82	
11	A. BARON	7-27-82	
12	A. BARON	7-27-82	
13	A. BARON	7-27-82	
14	A. BARON	7-27-82	
15	A. BARON	7-27-82	
16	A. BARON	7-27-82	
17	A. BARON	7-27-82	
18	A. BARON	7-27-82	
19	A. BARON	7-27-82	
20	A. BARON	7-27-82	
21	A. BARON	7-27-82	
22	A. BARON	7-27-82	
23	A. BARON	7-27-82	
24	A. BARON	7-27-82	
25	A. BARON	7-27-82	
26	A. BARON	7-27-82	
27	A. BARON	7-27-82	
28	A. BARON	7-27-82	
29	A. BARON	7-27-82	
30	A. BARON	7-27-82	
31	A. BARON	7-27-82	
32	A. BARON	7-27-82	
33	A. BARON	7-27-82	
34	A. BARON	7-27-82	
35	A. BARON	7-27-82	
36	A. BARON	7-27-82	
37	A. BARON	7-27-82	
38	A. BARON	7-27-82	
39	A. BARON	7-27-82	
40	A. BARON	7-27-82	
41	A. BARON	7-27-82	
42	A. BARON	7-27-82	
43	A. BARON	7-27-82	
44	A. BARON	7-27-82	
45	A. BARON	7-27-82	
46	A. BARON	7-27-82	
47	A. BARON	7-27-82	
48	A. BARON	7-27-82	
49	A. BARON	7-27-82	
50	A. BARON	7-27-82	

ETCH BOARD REV. E

DATE 5-28-75

digital

TITLE MOS REGULATOR H777

SIZE CODE DCS

NUMBER 5411601-0-1

REV. P

SHEET 1 OF 3

DIST.

SCALE

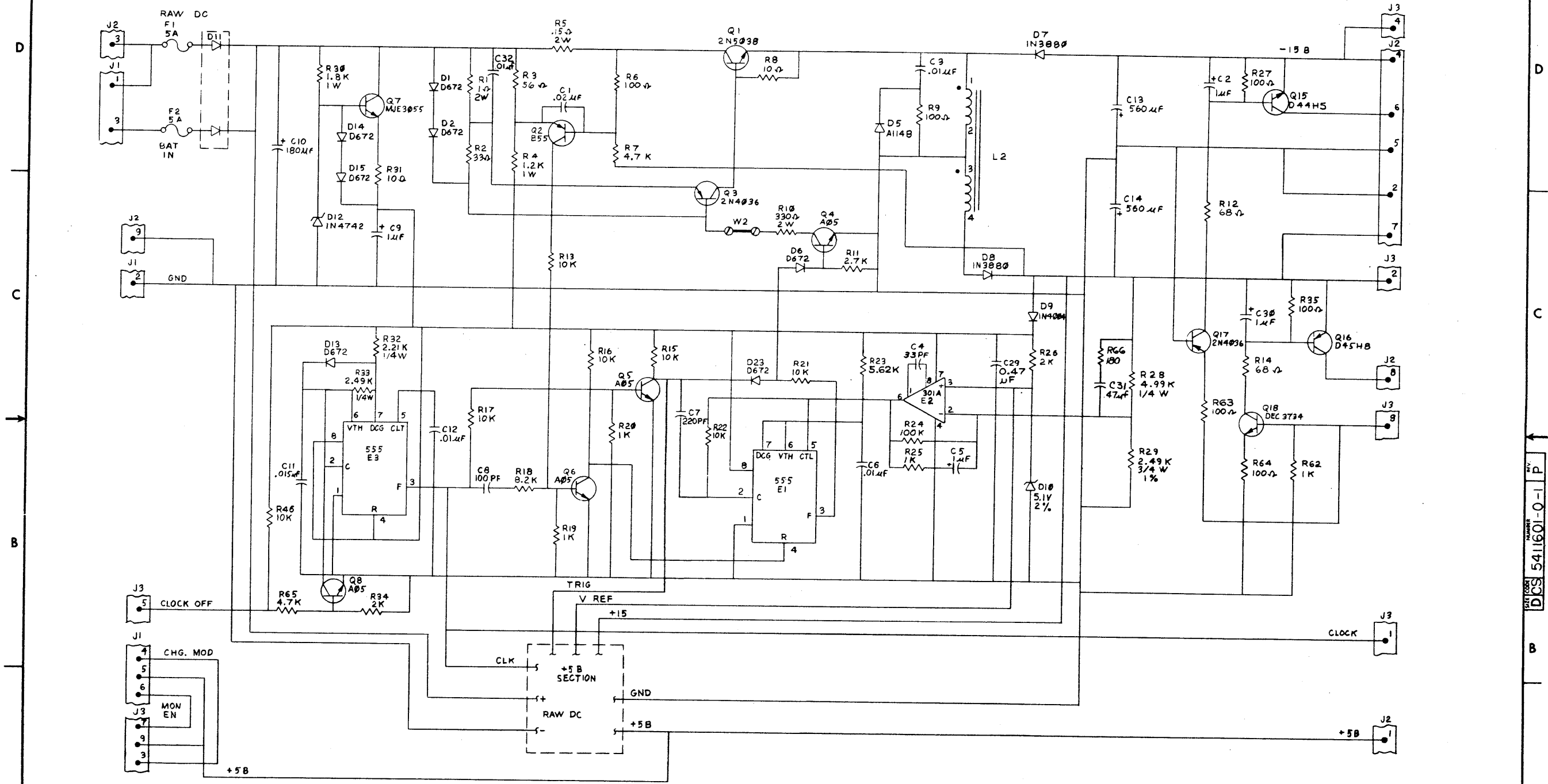
SEMICONDUCTOR CONVERSION CHART

DEC. NO. EIA NO.

DCS 5411601-0-1 P

THIS DRAWING AND SPECIFICATIONS, HEREIN, ARE THE PROPERTY OF DIGITAL EQUIPMENT CORPORATION AND SHALL NOT BE REPRODUCED OR COPIED OR USED IN WHOLE OR IN PART AS THE BASIS FOR THE MANUFACTURE OR SALE OF ITEMS WITHOUT WRITTEN PERMISSION OF DIGITAL EQUIPMENT CORPORATION

DCS 5411601-0-1 2



DCS 5411601-0-1 P

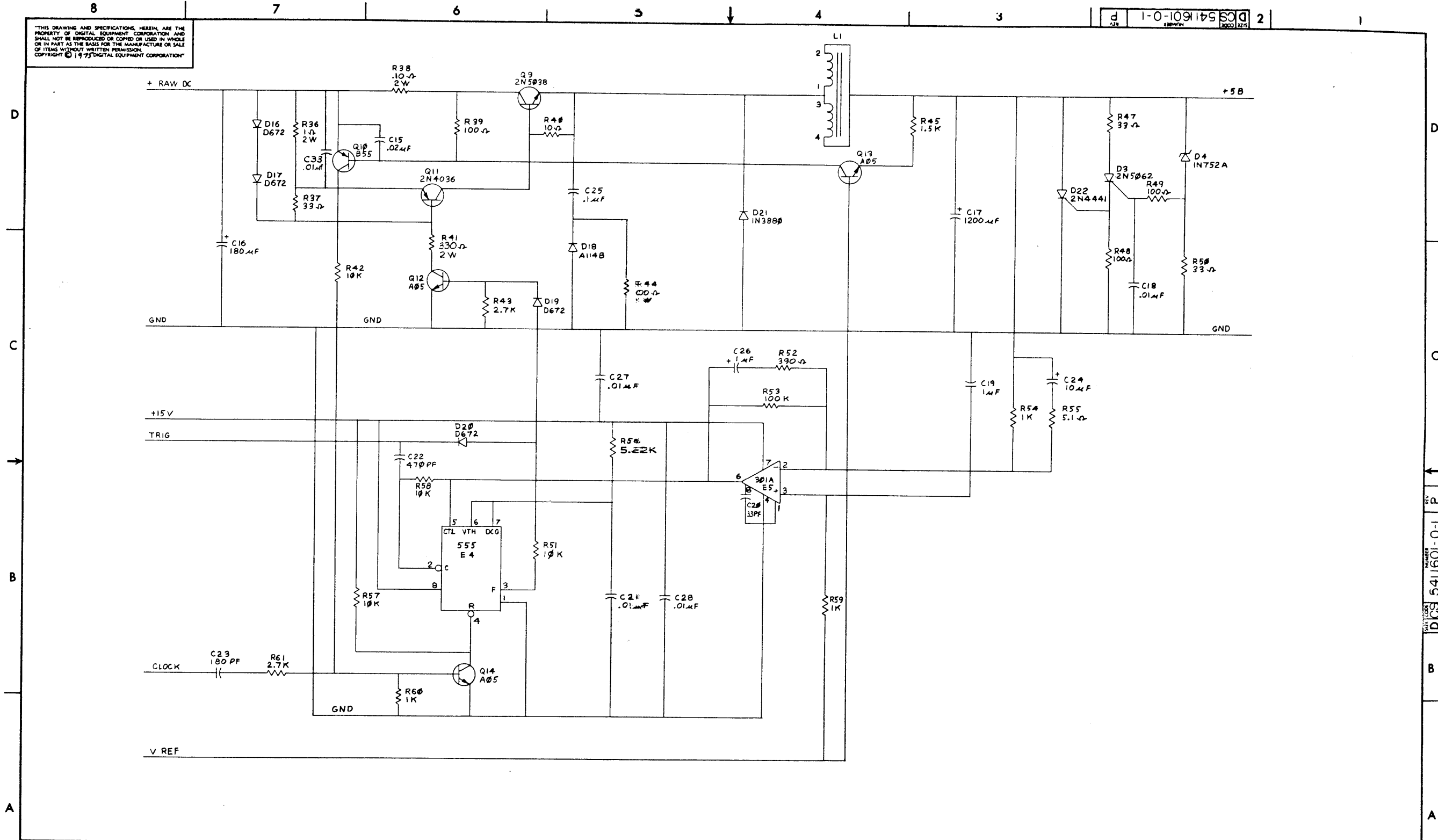
REVISIONS		
CHK	CHANGE NO.	REV.

8	7	6	5	4	3	2	1
---	---	---	---	---	---	---	---

TITLE	DCS	NUMBER	REV.
MOS REGULATOR H777	5411601-0-1	1	P
SCALE	SHEET	DIST.	
1	2 OF 3		

THIS DRAWING AND SPECIFICATIONS HEREIN ARE THE PROPERTY OF DIGITAL EQUIPMENT CORPORATION AND SHALL NOT BE REPRODUCED OR COPIED OR USED IN WHOLE OR IN PART AS THE BASIS FOR THE MANUFACTURE OR SALE OF ITEMS WITHOUT WRITTEN PERMISSION. COPYRIGHT © 1975 DIGITAL EQUIPMENT CORPORATION

DCS 5411601-0-1 2



REVISIONS		
CHK	CHANGE NO.	REV.

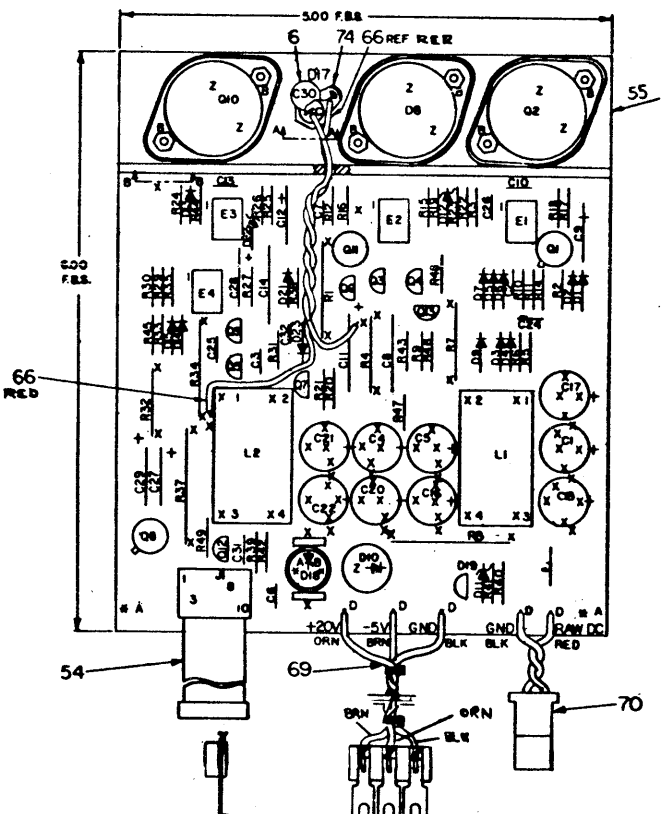
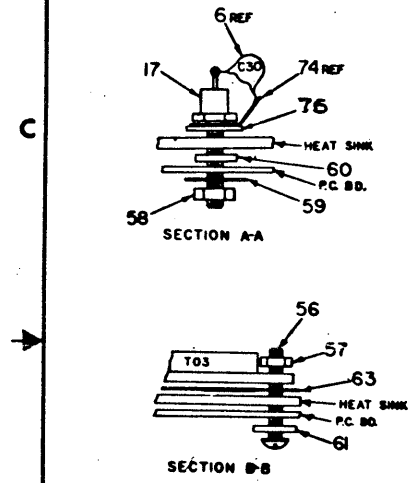
TITLE MOS REGULATOR H777  
 SCALE 7/7  
 SHEET 3 OF 3  
 SIZE CODE DCS  
 NUMBER 5411601-0-1  
 REV. P

THIS DRAWING AND SPECIFICATIONS HEREAFTER ARE THE PROPERTY OF DIGITAL EQUIPMENT CORPORATION AND SHALL NOT BE REPRODUCED OR COPIED OR USED IN WHOLE OR IN PART AS THE BASIS FOR THE MANUFACTURE OR SALE OF ITEMS WITHOUT WRITTEN PERMISSION.  
 COPYRIGHT © 1976 DIGITAL EQUIPMENT CORPORATION

**NOTES:**

USE TRANSAPAD DEC # 9007201 UNDER Q14QB

QTY	REF. DESIGNATION	DESCRIPTION	PART NO.	ITEM NO.
1	55	HEAT SINK	7416236-0-0	1
6	56	SCREW, #4-48 x 1/2 LG PH HD	9006013-1	2
6	57	NUT, KEP #4-48	9006557	3
1	58	NUT, HEX #10-32	9006584	4
1	59	WASHER, FLAT	9006682	5
1	60	BUSHING, NYLON	5008440	6
6	61	WASHER, FLAT	9008172	7
A/R	62	COMPOUND, THERMAL	9008288	8
3	63	INSULATOR, TO 3	1213071-02	9
2	64	TRANSAPAD	9007201	10
A/R	66	WIRE #14 AWG, TWISTED PAIR	9107430-02	11
1	67	CAPACITOR 2.2UF 20V	1002627	12
1	68	RESISTOR 200, 1/4W, 5%	1311522	13
1	69	HARNESSES (THREE WIRE)	C-7A 7012547-0-0	14
1	70	HARNESSES (TWO WIRE)	C-7A 7012546-0-0	15
1	71	CAPACITOR, 10uF, 20V, 10%, TANT	1004813	16
1	72	DIODE, IN753A	1102421	17
1	73	CAPACITOR, .47uF, 25V, 20%, CER	1010279	18
1	74	SOLDER, TERM., SCREW MTG	9007615	19
1	75	SIL PAD .800 x .190 I.D.	1213071-05	20
1	76	CAP. 1UF 50V CER.	1010274-02	21
1	77	DIODE, A1148	1112955-01	22
1	78	FUSE, 15A, PICO	1210929	23
1	79	RESISTOR, 18K, 1/4W, 5%	1302465	24
6	80	RESISTOR, 100, 1/4W, 5%	1300229	25
1	81	RESISTOR, 100, 1W, 5%	1300232	26
3	82	RESISTOR, 390, 1/4W, 5%	1300309	27
6	83	RESISTOR, 1K, 1/4W, 5%	1300385	28
3	84	RESISTOR, 2.7K, 1/4W, 5%	1300426	29
4	85	RESISTOR, 4.7K, 1/4W, 5%	1300447	30
1	86	RESISTOR 1K, 1W, 5%	1300368	31
3	87	RESISTOR, 10K, 1/4W, 5%	1300479	32
2	88	RESISTOR, 10, 1/4W, 5%	1291377	33
1	89	RESISTOR, 470, 1/4W, 5%	1300316	34
1	90	RESISTOR, 27, 1/4W, 5%	1301522	35
1	91	RESISTOR, 330, 2W, 10%	1301961	36
1	92	RESISTOR, 2K, 1/4W, 5%	1302388	37
2	93	RESISTOR, 100K, 1/4W, 5%	1302486	38
1	94	RESISTOR, 2.74K, 1/4W, 1%	1304888	39
2	95	RESISTOR, 1, 2W, 5% WW	1305428	40
2	96	RESISTOR, 1.5K, 1/4W, 5%	1300391	41
1	97	RESISTOR, 8.25K, 1/4W, 1%	1309420	42
2	98	RESISTOR, .05, 5W, 3% WW	1311883	43
1	99	RESISTOR, 56, 1/4W, 5%	1302602	44
2	100	TRANSISTOR, 2N4838	1589788	45
7	101	TRANSISTOR, XA85	1510705	46
1	102	TRANSISTOR, XA55	1510706	47
1	103	TRANSISTOR, C32A135	1510928	48
2	104	TRANSISTOR, 2N5038	1510969	49
1	105	TRANSISTOR, 2N5433	1511886	50
2	106	INDUCTOR, 500uH	1612593	51
2	107	I.C. DEC 301A	1910282	52
2	108	I.C. DEC 555	1911844	53
1	109	CABLE ASSY	7011414-0E	54



IC TYPE	QND	+5V

QND AND 5V ARE USUALLY PIN 7 AND 14 RESPECTIVELY EXCEPTIONS ARE STATED ABOVE

IC PIN LOCATIONS

PRINT USED ON OPTION MODEL

ETCH BOARD REV. 0

PARTS LIST

DATE: 11/7/75

TITLE: +20V REGULATOR/H777

REV. J

DEC NO.    EIA NO.    DEC NO.    EIA NO.

SEMICONDUCTOR CONVERSION CHART

E-UA-H777-0-0

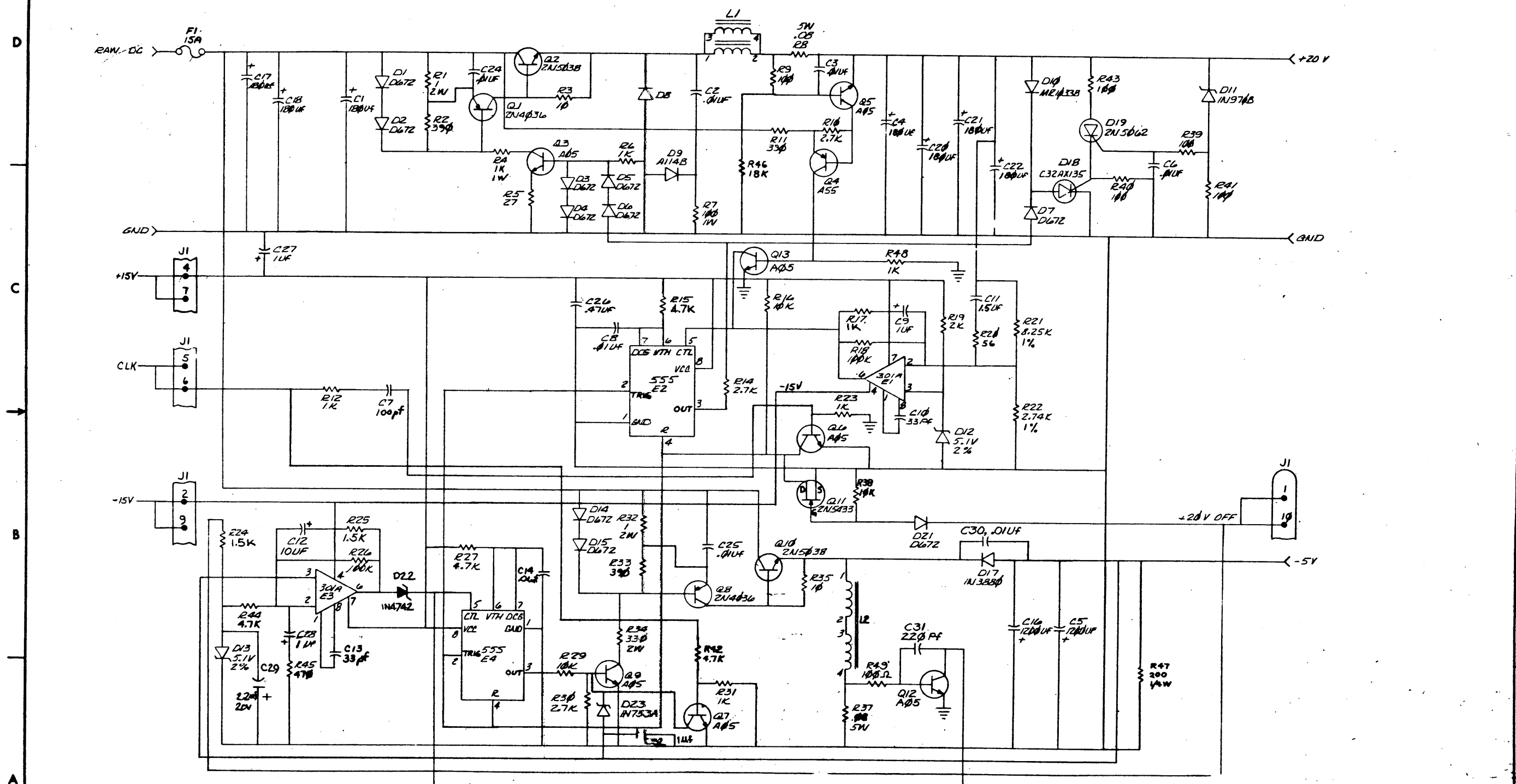
SCALE: 1 OF 2

DIGITAL

DCS 5411599-0-1

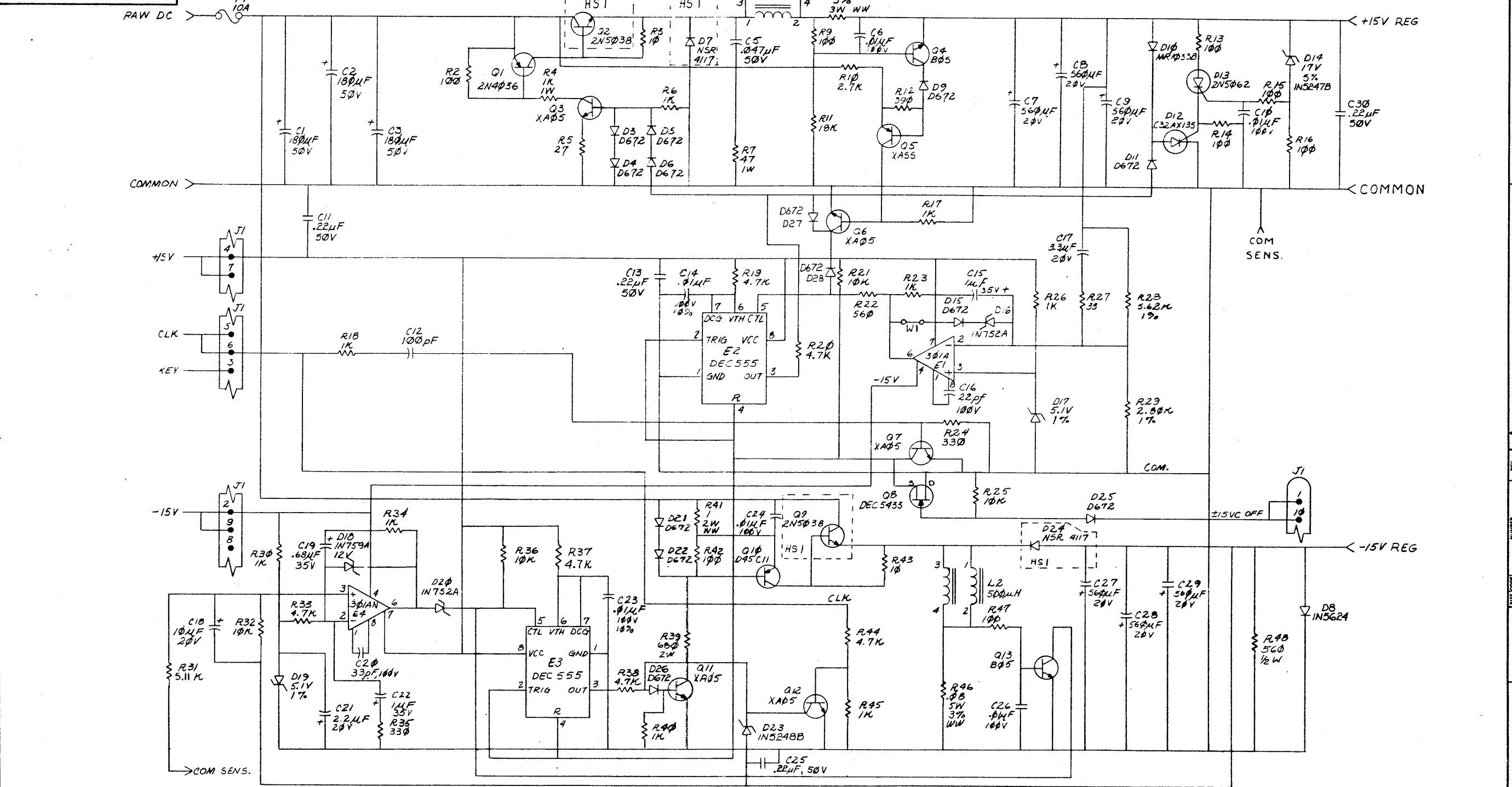
DESIGNED BY: J.S. KENNEDY
CHECKED BY: J. SCELLO
DRAWN BY: J. SCELLO
DATE: 2-8-77
CHECKED BY: B. COLEMAN
DATE: 7/28/77
CHECKED BY: G. POTTER
DATE: 6/18/77
CHECKED BY: G. POTTER
DATE: 6/18/77

THIS DRAWING AND SPECIFICATIONS HERON ARE THE PROPERTY OF DIGITAL EQUIPMENT CORPORATION AND SHALL NOT BE REPRODUCED OR COPIED OR USED IN WHOLE OR IN PART AS THE BASIS FOR THE MANUFACTURE OR SALE OF ITEMS WITHOUT WRITTEN PERMISSION. COPYRIGHT © 1976, DIGITAL EQUIPMENT CORPORATION.



REVISIONS		
CHK	CHANGE NO.	REV.

THIS DRAWING AND SPECIFICATIONS HEREIN ARE THE PROPERTY OF DIGITAL EQUIPMENT CORPORATION AND SHALL NOT BE REPRODUCED OR COPIED OR USED IN WHOLE OR IN PART AS THE BASIS FOR THE MANUFACTURE OR SALE OF ITEMS WITHOUT WRITTEN PERMISSION. COPYRIGHT © 1980 DIGITAL EQUIPMENT CORPORATION



REV.	DATE	BY	CHKD
1	5/13/74	W. BAUSHA	
2	22-OCT-81		

DRN	4/27/77	FIRST USED ON	H777-UA,UB
CHK'D	5/1/77	TITLE	±15V REGULATOR
ENG.	1/1/77	PROJ. ENG.	W. BAUSHA
PROD.	1/1/77	PROJ. MGR.	W. BAUSHA
NEXT HIGHER ASSY.		SIZE	D
B-DD-5413764-0		CODE	CS
SCALE		NUMBER	0-1
SHEET 1 OF 1		REV.	B



LINE	ITEM	DOCUMENT NUMBER	PART NUMBER	DESCRIPTION	QTY	PER VARIATION	REFERENCE DESIGNATOR
					00		
1	1	D-UA-5413764-0-0		UNIT ASSY			
2	2	D-CS-5413764-0-1		CKT SCHEMATIC			
3	3		5013763-00	DRILL & ETCH BRD	1		
4	4		1000009-00	33.0 MMF 100V 5%200PPM MICA	1		C20
5	5		1000016-00	100.0 MMF 100V 5%200PPM MICA	1		C12
6	6		1001610-01	.01 MFD50/100V +80-20% DISC	4		C6, C10, C24, C26
7	7		1001776-00	1 MFD 35V 10% S.TANT	2		C15, C22
8	8		1002627-00	2.2MFD 20V 10% S.TANT	1		C21
9	9		1004813-00	10 MFD 20V 10% S.TANT	1		C18
10	10		1005334-00	3.3MFD 20V 10% S.TANT	1		C17
11	11		1005784-00	.01 MFD 100V 200V 10% MYL	2		C14, C23
12	12		1005820-00	22.0 MMF 100V 5%200PPM MICA	1		C16
13	13		1009964-00	.68 MFD 35V 10% S.TANT	1		C19
14	14		1010274-01	.22 MFD 50V +80-20% Z5U CER	4		C25, C30, C11, C13
15	15		1010978-32	.047 MFD 50V 10% CER	1		C5
16	16		1012607-00	560 MFD 20V+100-10% AL EL	6		C7-C9, C27-C29
17	17		1012607-02	180 MFD 50V+100-10% AL EL	3		C1-C3
18	18		1102808-00	1N 752A VZ= 5.6 5% 40W	2		D16, D20
19	19		1103341-00	MR1033B PIV=300 I= 3A Z44 SM	1		D10
20	20		1105275-00	D 672 TR= 15NS PIV= 60V SI	13	CONT	D3-D6, D9, D11, D15, D21, D22, D25, D26, D27, D28
21	22		1105871-00	1/4MS.1AZ1 = 5.1 1% .25W N	2		D17, D19
22	26		1110420-00	1N 5624 PIV=200 I= 5A	1		D8
23	21		1110766-00	1N 5248B VZ= 18.0 5% .50W	1		D23
29	29		1213071-02	INSULATOR, RUBBER SILICONE SM	2		

REVISION HISTORY		BASIC PART NO: 5413764		DRN: PAUL NORMAN	DATE: 07-JAN-80	DIGITAL	
ENG	ECO NUMBER	REV	SECTION A OF A	CHK'D: P.BOSSMAN	DATE: 08-JAN-80	PARTS LIST	
---	INITIAL	A	SECTION VARIATION INDEX			PLUS/MINUS 15V REGULATOR	
WB	5413764-TW001	B	[A] 00				
			[B]	DES.ENG: W.BAUSHA	DATE: 08-JAN-80		
			[C]			DOCUMENT NUMBER	
			[D]	RESP.ENG.: W.BAUSHA	DATE: 18-MAR-80	SIZE	CODE
			[E]			NUMBER	REV
			[F]	MFG.ENG.: JOSE OLIVENCIA	DATE: 18-MAR-80	K	PL
			[G]			5413764-0-DBP	B
			[H]	ASSEMBLY NUMBER:	TOP DOCUMENT NUMBER:	FILE NAME:	EDIT #
			[I]	D-UA-5413764-0-0	B-DD-5413764-0-0	Z0234B.PLS	35
			[J]				
			[K]				
			[L]				
			[M]				
			[N]				

"THIS DRAWING AND SPECIFICATIONS HEREIN, ARE THE PROPERTY OF DIGITAL EQUIPMENT CORPORATION AND SHALL NOT BE REPRODUCED OR COPIED OR USED IN WHOLE OR IN PART AS THE BASIS FOR THE MANUFACTURE OR SALE OF ITEMS WITHOUT WRITTEN PERMISSION. COPYRIGHT (C) 1982. DIGITAL EQUIPMENT CORPORATION"

LINE	ITEM	DOCUMENT NUMBER	PART NUMBER	DESCRIPTION	QTY	PER VARIATION	REFERENCE DESIGNATOR
					00		
30	30		1213071-05	INSULATOR, RUBBER THERMAL	2		
31	31		1300197-00	33.0 .25 W 5.0 % CC	1		R27
32	32		1300229-00	100.0 .25 W 5.0 % CC	8		R2, R9, R13-R16, R42, R47
33	33		1300250-00	*** THIS ITEM IS NOT USED ***			
34	34		1300295-00	330.0 .25 W 5.0 % CC	2		R35, R24
35	35		1300309-00	390.0 .25 W 5.0 % CC	1		R12
36	36		1300338-00	560.0 .50 W 5.0 % CC	1		R48
37	37		1300348-00	680.0 2.0 W 5.0 % CC	1		R39
38	38		1300365-00	1.0 K .25 W 5.0 % CC	9		R6, R17, R18, R23, R26, R30, R34, R40, R45
						CONT	
39	39		1300368-00	1.0 K 1.0 W 5.0 % CC	1		R4
40	40		1300426-00	2.70 K .25 W 5.0 % CC	1		R10
41	41		1300447-00	4.70 K .25 W 5.0 % CC	6		R19, R33, R37, R38, R44, R20
42	42		1300479-00	10.0 K .25 W 5.0 % CC	2		R21, R25, R36
43	43		1301317-00	10.0 .25 W 5.0 % CC	2		R3, R43
44	44		1301522-00	27.0 .25 W 5.0 % CC	1		R5
45	45		1301890-00	560.0 .25 W 5.0 % CC	1		R22
46	46		1302199-00	47.0 1.0 W 5.0 % CC	1		R7
47	47		1302465-00	18.0 K .25 W 5.0 % CC	1		R11
48	48		1305128-00	5.62 K .25 W 1.0 % RN55D-F10	1		R28
49	49		1305145-00	2.80 K .25 W 1.0 % RN55D-F10	1		R29
50	50		1305428-00	1.0 2.0 W 5.0 % WW	1		R41
51	51		1311603-00	.08 5.0 W 3.0 % WW	1		R46
52	52		1304854-00	5.11 K .25 W 1.0 % RN55D-F10	1		R31
53	53		1316597-00	.15 3.0 W 3.0 % WW	1		R8
54	54		1509700-00	2N 4036 PNP 7WC SI 80100 M	1		Q1
55	55		1510705-00	XA 05 NPN 500MW SI 60 50 P	5		Q3, Q6, Q7, Q11, Q12
56	56		1510705-01	B 05 NPN 500MW SI 60 50 P	2		Q4, Q13
57	57		1510706-00	XA 55 PNP 500MW SI 60 50 P	1		Q5
58	58		1510928-00	C32AX135 SCR 100V I=25A	1		D12
59	59		1510969-00	2N 5038 NPN 140WC SI 90 50 Y	2		Q2, Q9
60	60		1511686-00	DEC5433 FET N 350MW 10 25 1A	1		Q8
61	61		1514431-00	D 45C11 PNP 30W SI 80 40	1		Q10
62	62		1612593-00	500 UH 6A	2		L1, L2
63	63		1910282-00	301AN OP AMP	2		E1, E4
64	64		1911944-00	555CN TIMER, FUNCT. BLOCK	2		E2, E3
65	80	D-MD-5013763-0-0		DRILL & ETCH BRD	REF		
66	64		7011414-0E	3M CABLE H777 CORE	1		J1
67	65	C-IA-7012546-0-0	7012546-00	TWO (2) WIRE CABLE	1		
68	66	C-IA-7012547-0-0	7012547-00	THREE (3) WIRE CABLE	1		
69	67	C-IA-7422935-0-0	7422935-00	HEAT SINK	1		HS1
70	68		9006013-01	SCREW, PAN, PHIL 4-40K 1/2 SS	4		
71	69		9006557-00	NUT, KEP 4-40X 1/4 AF	4		
72	72	(FOR Q1)	9007201-00	TRANSIPADS #10253	1		
73	73		9007815-00	TERM. LUG 1/4STUD LOCKING	1		
74	71		9007906-00	WASHER, LOCK SPLIT .3340D X .200I	2		
75	74		9008172-00	WASHER, FLAT, SS .250 OD X .125 I	4		
76	76		9008440-00	BUSHING, INSUL, NYLON .2480D .125	2		

D	I	G	I	T	A	L	TITLE	PLUS/MINUS 15V REGULATOR	SECTION A OF A	SIZE	CODE	DOCUMENT NUMBER	REV
										K	PL	5413764-C-DBP	B

AUTOMATED BY PRTLST.3K(27)

PARTS LIST

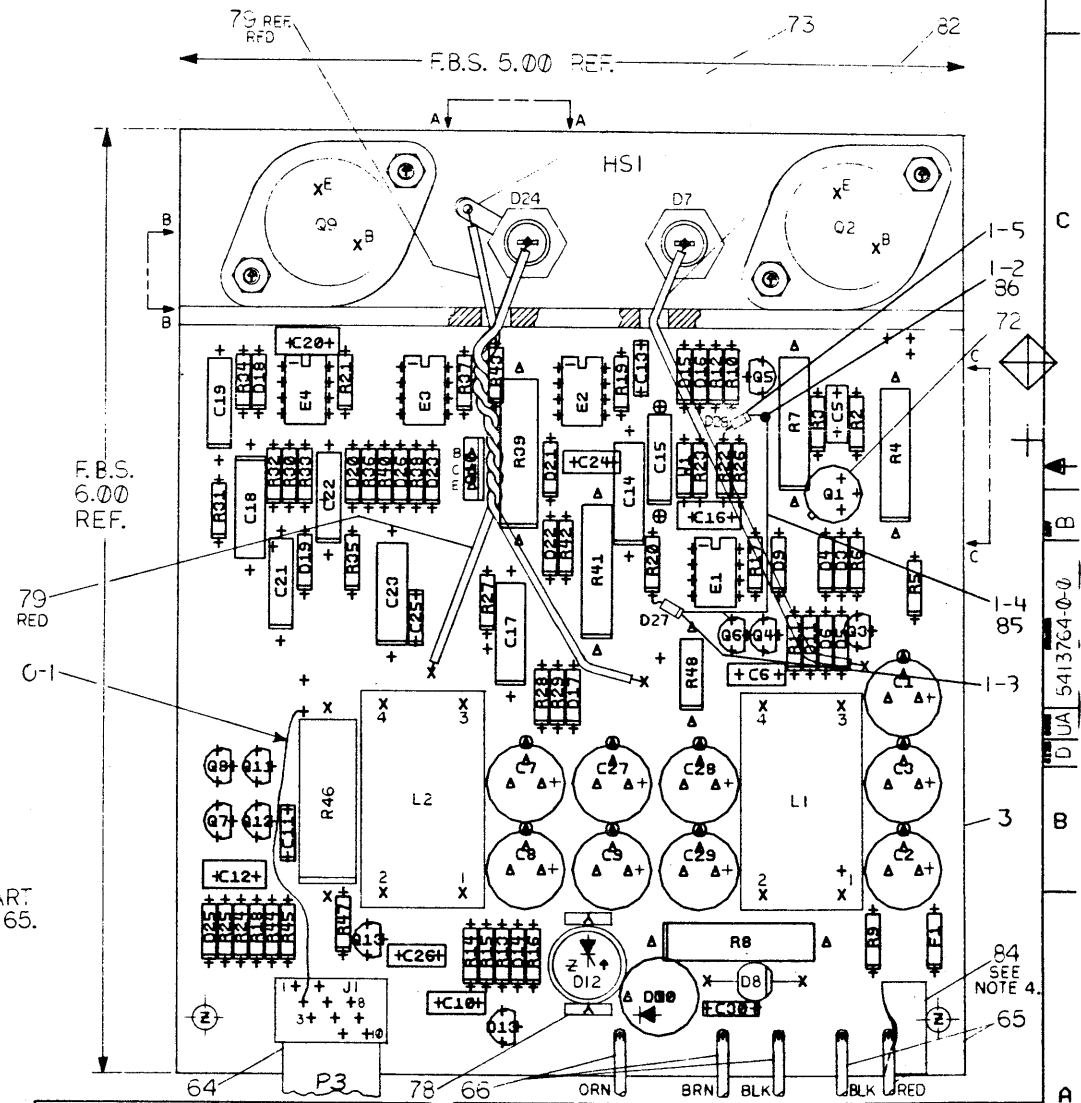
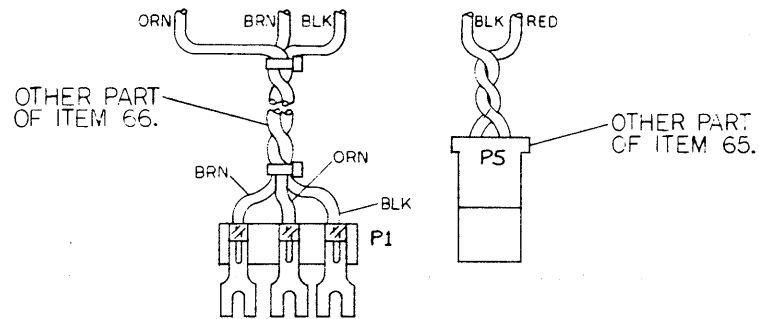
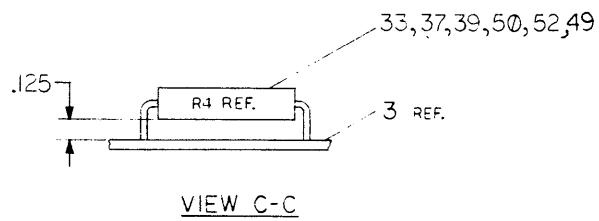
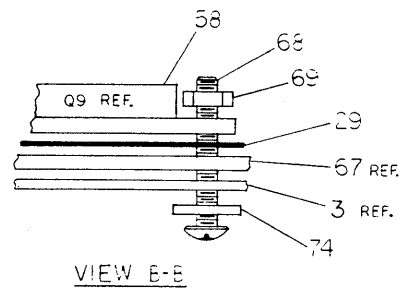
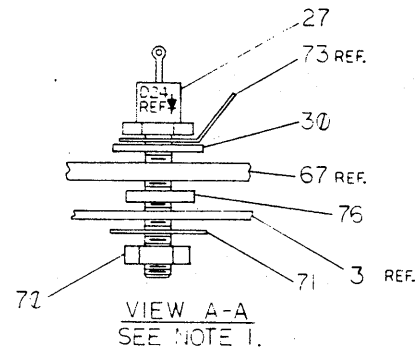
SHEET A3 OF A3

LINE	ITEM	DOCUMENT NUMBER	PART NUMBER	DESCRIPTION	QTY	PER VARIATION	REFERENCE DESIGNATOR
					00		
77	70		9009005-00	NUT, HEX 10-32 X 1/4 AF X 3	2		
78	77		9009185-00	JUMPER, WIRE, INSULATED, BLACK B	1		W1
79	78	(USED UNDER D12)	9009222-00	CLIP, SCR, ADAPTOR	1		
80	82		9107360-22	WIRE, STRND, 18AWG, IPVC UL1429	A/R		
81	79		9107430-02	WIRE, STRND, 18AWG, IPVC (UL1429)	A/R		
82	83		1303312-00	10.0 K .25 W 1.0% RN55D-F10	1		R32
83	84		9008880-00	TAPE, FIBER GLASS 1/2" X 66 FT.	A/R		
84	85		9105740-55	WIRE(WRAP)30AWG UL1423	A/R		
85	86		9006731-00	EYELET, (BRASS NICKEL PLATED) .0	1		

D	I	G	I	T	A	L	TITLE	PLUS/MINUS 15V REGULATOR	SECTION A OF A	SIZE	CODE	DOCUMENT NUMBER	REV
										K	PL	5413764-0-DBP	B

THIS DRAWING AND SPECIFICATIONS, HEREIN, ARE THE PROPERTY OF DIGITAL EQUIPMENT CORPORATION AND SHALL NOT BE REPRODUCED OR COPIED IN WHOLE OR IN PART ON THE BASIS FOR THE MANUFACTURE OR SALE OF ITEMS WITHOUT WRITTEN PERMISSION.  
COPYRIGHT © 1960 DIGITAL EQUIPMENT CORPORATION

COMPONENT SIDE VIEW



- NOTES: 1. USE IDENTICAL HARDWARE FOR DZ, LESS ITEM 73.  
2. TORQUE RANGE FOR ITEMS 68 AND 69 IS 5 TO 6 INCH/POUNDS.  
3. TORQUE RANGE FOR ITEMS 27 AND 70 IS 14 TO 16 INCH/POUNDS.  
4. WIRE INSULATION MUST BE FLUSH WITH THE BD.
- | STEP | AXIS | STEP | TIMES |
|------|------|------|-------|
| 1    | Y    |      |       |
| 2    | X    |      |       |

CHANGE NO	REV	DATE	BY	CHK'D
1	1	5/1/60	W. BAUSHA	
2	2	5/1/60	W. BAUSHA	
3	3	5/1/60	W. BAUSHA	
4	4	5/1/60	W. BAUSHA	

ETCH REV. B
-------------

SIGNATURES	DATE
DRN. <i>W. Bausha</i>	5/1/60
CHK'D. <i>W. Bausha</i>	5/1/60
MECH. ENG. <i>W. Bausha</i>	5/1/60
PROJ. ENG. <i>W. Bausha</i>	5/1/60
PROD. <i>W. Bausha</i>	5/1/60

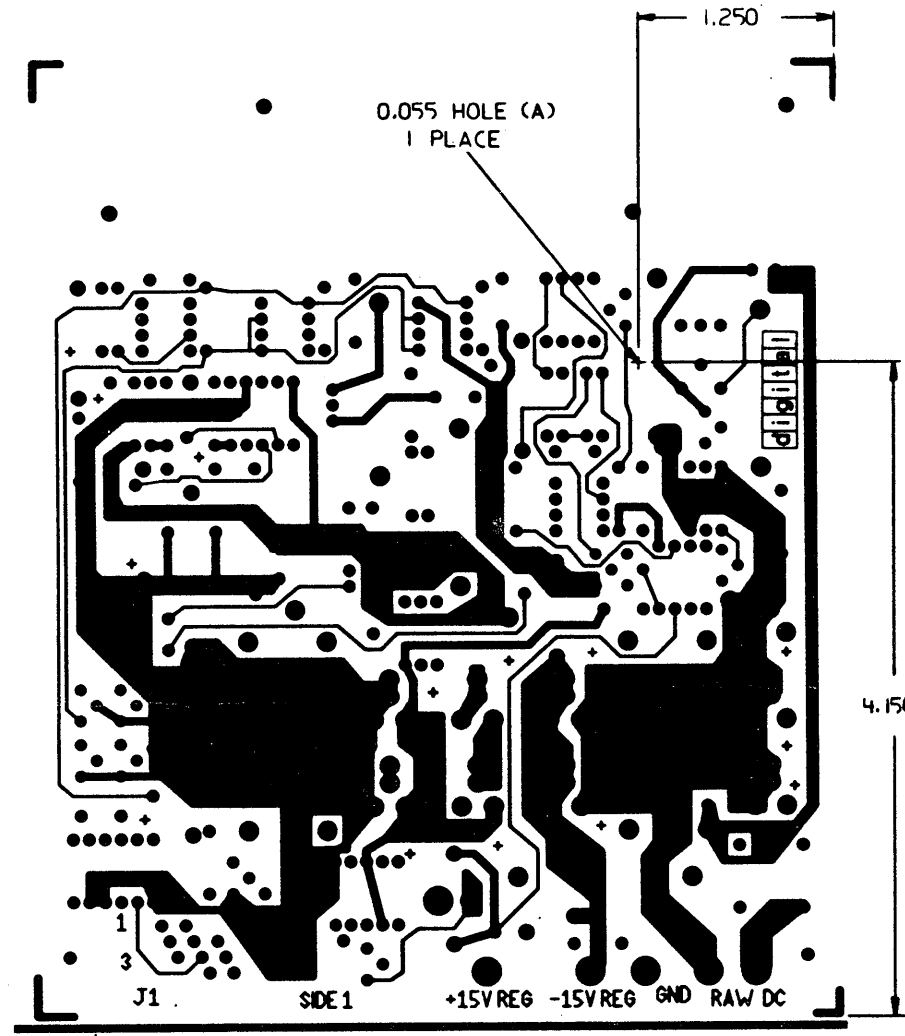
digital	
TITLE ±15V REGULATOR	
SIZE CODE	NUMBER
D UA	5413764-0-0
REV	B

TW 1 MS# 180494B

8 6 5 4 3 2 1

THIS DRAWING AND SPECIFICATIONS HEREIN ARE THE PROPERTY OF DIGITAL EQUIPMENT CORPORATION AND SHALL NOT BE REPRODUCED OR COPIED OR USED IN WHOLE OR IN PART AS THE BASIS FOR THE MANUFACTURE OR SALE OF ITEMS WITHOUT WRITTEN PERMISSION. COPYRIGHT © DIGITAL EQUIPMENT CORPORATION.

D  
C  
B  
A



D  
C  
B  
A

REVISION HISTORY		
DATE	ECO NUMBER	REV

8 7 6 5 4 3 2 1

TITLE  
±15V REGULATOR

DOCUMENT NUMBER		
SIZE CODE	NUMBER	REV
DUA	5413764-0-0	B
SCALE 2/1	SHEET 2 OF 3	

8 7 6 5 4 3 2 1

8

8 0-0-492475 V D  
A/B NUMBER 3000 STD

6

5

4

3

2

1

THIS DRAWING AND SPECIFICATIONS HEREIN ARE THE PROPERTY OF DIGITAL EQUIPMENT CORPORATION AND SHALL NOT BE REPRODUCED OR COPIED OR USED IN WHOLE OR IN PART AS THE BASIS FOR THE MANUFACTURE OR SALE OF ITEMS WITHOUT WRITTEN PERMISSION.  
COPYRIGHT © 1981 DIGITAL EQUIPMENT CORPORATION

### REWORK INSTRUCTIONS

#### WIRE ADDS

0-1 ADD A WIRE AT J1 PIN 2 TO FEED THRU LEFT OF R46.

#### ECO #1

1-2 INSTALL AN EYELET (ITEM 86) BY DRILLING A .055" HOLE. POSITION OF HOLE PER SHEET 2 OF UA DRAWING.

1-3 ADD A DIODE (D27) FROM R20 PTH TO THE PTH OF Q6'S COLLECTOR. ANODE TO R20.

1-4 ADD AN ECO WIRE (ITEM 85) FROM PTH OF Q6'S COLLECTOR TO THE EYELET (ITEM 86).

1-5 ADD A DIODE D28 FROM R22'S PTH TO EYELET (ITEM 86). ANODE OF D29 TO D22.

D

C

B

A

D

C

B

B

A

8 0-0-492475 V D  
A/B NUMBER 3000 STD

REVISION HISTORY		
DATE	ECO NUMBER	REV.

TITLE  
±15V REGULATOR

SIZE CODE	DOCUMENT NUMBER	REV.
D UA	5413764-0-0	B
SCALE NONE	SHEET 3 OF 3	

8

7

6

5

4

3

2

1

DND 137A

DRAWING NO.	NO. OF SHTS.	PART NO.	DESCRIPTION	REVISIONS																			
				1	2	3	4	5	6	7	8	9	10	11	12	13							
		5414218	MODULE REVISION	D																			
B-DD-5414218-0	1		SLU INTERFACE	D																			
E-UA-5414218-0-0	1		SLU INTERFACE	D																			
E-UA-5414218-01	1		SLU INTERFACE	D																			
K-PL-5414218-0-DBP	1		SLU INTERFACE	D																			
D-CS-5414218-0-1	1		SLU INTERFACE	D																			
EEC-5014217-0-0	2		ETCH CUT DRAWING	D																			
EMD-5014217-0-0	3		DRILL AND ETCH DRAWING	D																			
		5014217	ETCHED BOARD	E																			
K-PC-5414218-0-DBG			PC DESIGN DATA BASE	E																			

**NOTES:**

DATE	CHG NO.	REV.	REVISIONS																				
			1	2	3	4	5	6	7	8	9	10	11	12	13								

"THIS DRAWING AND SPECIFICATIONS, HEREIN, ARE THE PROPERTY OF DIGITAL EQUIPMENT CORPORATION AND SHALL NOT BE REPRODUCED OR COPIED OR USED IN WHOLE OR IN PART AS THE BASIS FOR THE MANUFACTURE OR SALE OF ITEMS WITHOUT WRITTEN PERMISSION.  
 COPYRIGHT © 1980 DIGITAL EQUIPMENT CORPORATION



USED ON OPTION/MODEL	DRN	<i>J. Casey</i>	4/30/80	TITLE	SLU INTERFACE
	CHKD	<i>J. Casey</i>	4/30/80	SIZE	B
	ENG	<i>R. J. Boudreau</i>	5/7/80	CODE	DD
	PROD	<i>A. Allen</i>	5/7/80	NUMBER	5414218 - 0
				REV.	D
				SHEET	OF

TW





DRAWING NO.	NO. OF SHTS.	PART NO.	DESCRIPTION	REVISIONS														
				1	2	3	4	5	6	7	8	9	10	11	12			
B-DD-5414441-0	1		CONSOLE MODULE	A														
D-UA-5414441-0-0	1		CONSOLE MODULE	A														
K-PL-5414441-0-DBP	1		CONSOLE MODULE	A														
D-CS-5414441-0-1	1		CONSOLE MODULE	A														
D-MD-5014440-0-0	3		DRILL & ETCH DRAWING	A														
		5014440	ETCHED BOARD	A														
K-PC-5414441-0-DBS			P.C. DESIGN DATA BASE	A														
D-EC-5014440-0-0	2		ETCH CUT DRAWING	A														

NOTES:

"THIS DRAWING AND SPECIFICATIONS, HEREIN, ARE THE PROPERTY OF DIGITAL EQUIPMENT CORPORATION AND SHALL NOT BE REPRODUCED OR COPIED OR USED IN WHOLE OR IN PART AS THE BASIS FOR THE MANUFACTURE OR SALE OF ITEMS WITHOUT WRITTEN PERMISSION.



COPYRIGHT© 1980 DIGITAL EQUIPMENT CORPORATION

REVISIONS	DATE	CHG NO.	REV.	USED ON OPTION/MODEL	DRN.		TITLE
					NAME	DATE	
					P. Grane	21 JUL 80	CONSOLE MODULE
					J. Garofalo	28 JUL 80	
					N. Swinn	12-19-80	SIZE CODE NUMBER <b>B DD 5414441-0</b>
					P. Swinn	12-18-80	

SHEET 1 OF 1 REV. A

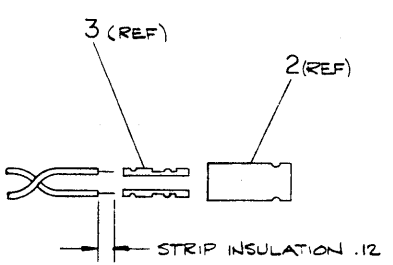
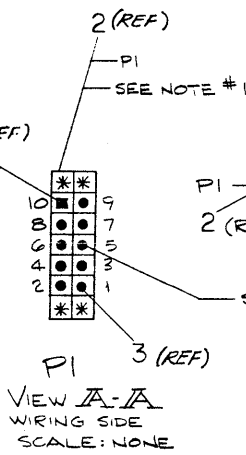
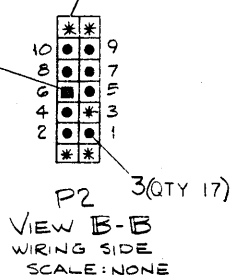
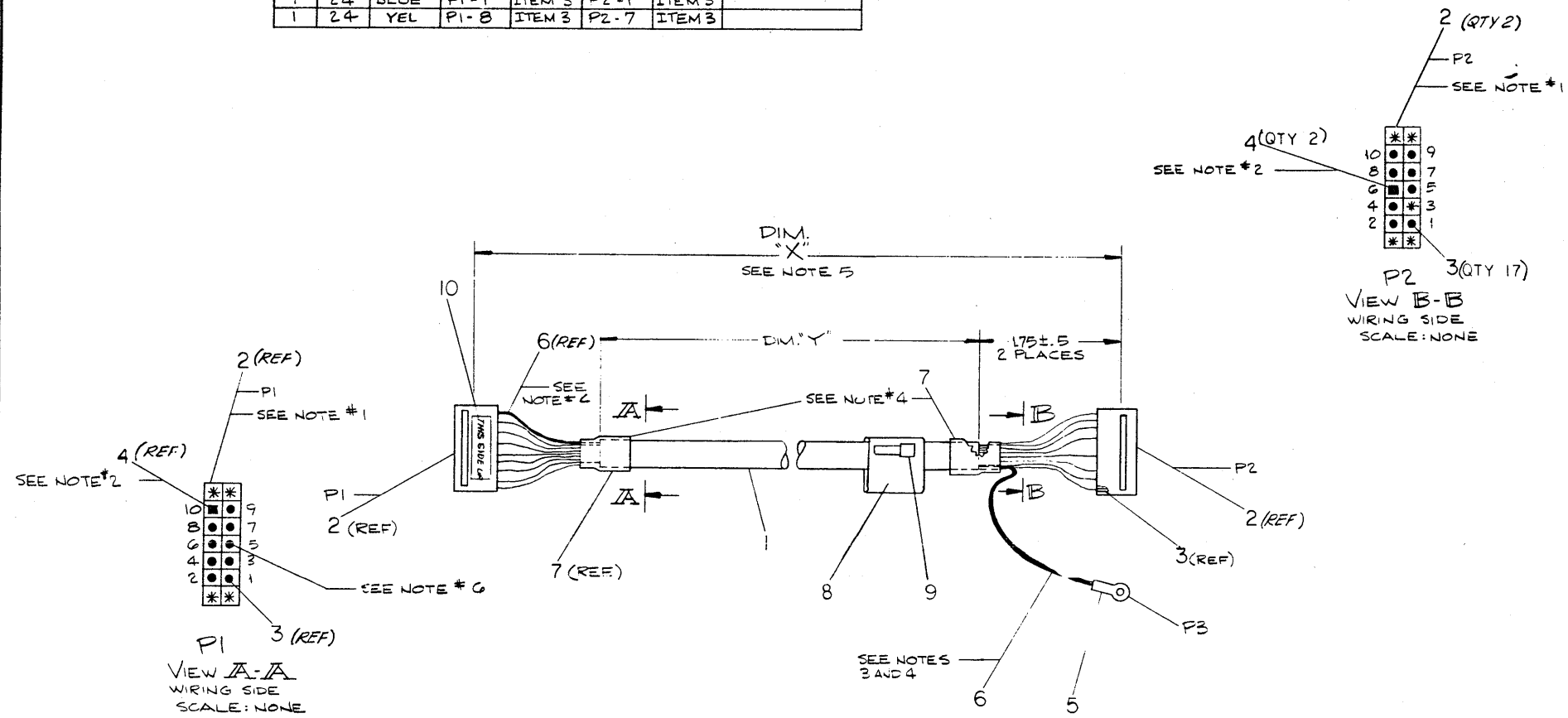
DIA 7016962-0-0

THIS DRAWING AND SPECIFICATIONS HEREIN ARE THE PROPERTY OF DIGITAL EQUIPMENT CORPORATION AND SHALL NOT BE REPRODUCED OR COPIED OR USED IN WHOLE OR IN PART AS THE BASIS FOR THE MANUFACTURE OR SALE OF ITEMS WITHOUT WRITTEN PERMISSION. COPYRIGHT © 1980 DIGITAL EQUIPMENT CORPORATION

WIRE TABLE							
ITEM NO	AWG.	COLOR	CONN	WITH	CONN	WITH	REMARKS
1	24	DRAIN	P1-8	ITEM 3	P3	ITEM 5	SEE NOTES 3 & 4
1	24	RED	P1-9	ITEM 3	P2-5	ITEM 3	
1	24	WHT	P1-7	ITEM 3	P2-4	ITEM 3	
1	24	GRN	P1-6	ITEM 3	P2-8	ITEM 3	
1	24	BLK	P1-4	ITEM 3	P2-9	ITEM 3	
1	24	BRN	P1-3	ITEM 3	P2-2	ITEM 3	
1	24	ORN	P1-2	ITEM 3	P2-10	ITEM 3	
1	24	BLUE	P1-1	ITEM 3	P2-1	ITEM 3	
1	24	YEL	P1-8	ITEM 3	P2-7	ITEM 3	

LEGEND		
P/N	DIM. "X"	DIM. "Y"
-00	9 IN.	6 IN.
-01	8 FT.	7 FT. 9 IN.

- NOTES:
- LOCATIONS MARKED (\*) IN VIEWS A-A & B-B ARE NOT TO BE USED.
  - CONNS P1-10 & P2-6 SHALL HAVE ONE KEY (ITEM #4) INSERTED AS SHOWN.
  - WIRE FROM P1-5 TO ITEM #5 SHALL BE 1 IN. LONGER THAN WIRES FROM P2 TO P1.
  - CUT EXTRUDED TUBING (ITEM #6) TO FIT LENGTH OF DRAIN WIRE AT EACH END. APPLY TUBING AND BUTT TO CABLE JACKET. CUT SHRINK TUBING TO 1 IN. LG. PIECES AND INSTALL AS SHOWN AT EACH END BEFORE INSTALLING CONNECTORS P1 & P2.
  - CUT LENGTH (EXCEPT FOR DRAIN AT P3 END).
  - SLIDE EXTRUDED TUBING (ITEM #6) OVER DRAIN WIRE BEFORE CRIMPING CONTACTS P3 & P15

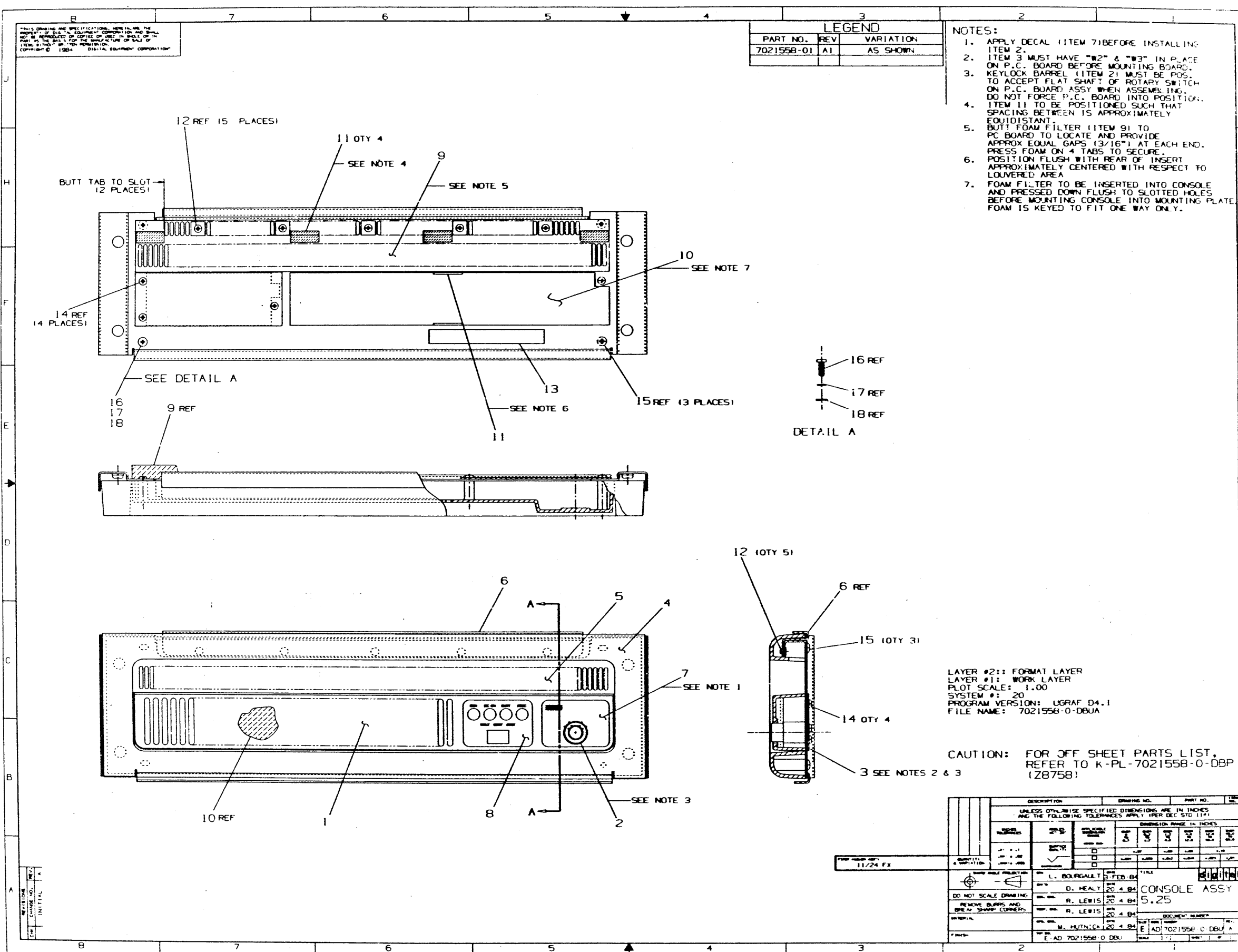


1	1	LABEL, (THIS SIDE UP)	3611567-02	10
1	1	TIE, CABLE SST-1-M	9007531-05	9
1	1	LABEL, CABLE I.D.	9009532-05	8
2	2	TUBING, SHRINK .250 I.D.	9107253-09	7
5	5	TUBING EXTRUDED 22AWG .027 I.D.	9107256-00	6
1	1	RING TERMIN 1POS .26-20AWG	1214628-05	5
2	2	KEY, POLAR, DUMMY	9009140-00	4
17	17	SOCKET, CRIMP, REEL	1210289-07	3
2	2	TERM. HSG (14 POS)	1210918-30	2
96	10	CABLE, #24 AWG STRND (8 COND)	1700153-02	1

QUANTITY & VARIATION	DESCRIPTION	DRAWING NO	PART NO	ITEM NO
7016962-01	UNLESS OTHERWISE SPECIFIED DIMENSIONS ARE IN INCHES AND THE FOLLOWING TOLERANCES APPLY (PER DEC STD 114)			
7016962-00	INCHES TOLERANCES			
	ANGLES ± 0° 30'	APPLICABLE DIMENSION RANGE		
X = ± .1	SURFACE QUALITY	OVER TO	OVER TO	OVER TO
XX = ± .02		0.2	1.2	4.0
XXX = ± .005	✓	12	48	120
	MICROMETERS	± .004	± .006	± .012
		± .016	± .024	± .04
	THIRD ANGLE PROJECTION	DWN C.V. SCETTINO	DATE 23 JAN 80	TITLE digital
	DO NOT SCALE DRAWING	DESIGN P. Ni	DATE 5-1-80	CABLE, CONSOLE TO BACKPLANE
	REMOVE BURRS AND BREAK SHARP CORNERS	RESP ENG P. Sunda	DATE 4-30-80	DOCUMENT NUMBER
	MATERIAL SEE PARTS LIST	MFG ENG P. Sunda	DATE 4-30-80	SIZE CODE NUMBER
	FINISH	NEXT HIGHER DOC E-UA-11/24-0-0	DATE 5-5-80	DIA 7016962-0-0
				SCALE NONE SHEET 1 OF TW

REV.	ECO NUMBER	DATE

DRAWING NUMBER DIA 7016962-0-0



LEGEND		
PART NO.	REV	VARIATION
7021558-01	A1	AS SHOWN

- NOTES:
1. APPLY DECAL (ITEM 7) BEFORE INSTALLING ITEM 2.
  2. ITEM 3 MUST HAVE "W2" & "W3" IN PLACE ON P.C. BOARD BEFORE MOUNTING BOARD.
  3. KEYLOCK BARREL (ITEM 2) MUST BE POS. TO ACCEPT FLAT SHAFT OF ROTARY SWITCH ON P.C. BOARD ASSY WHEN ASSEMBLING. DO NOT FORCE P.C. BOARD INTO POSITION.
  4. ITEM 11 TO BE POSITIONED SUCH THAT SPACING BETWEEN IS APPROXIMATELY EQUIDISTANT.
  5. BUTT FOAM FILTER (ITEM 9) TO PC BOARD TO LOCATE AND PROVIDE APPROX EQUAL GAPS (3/16") AT EACH END. PRESS FOAM ON 4 TABS TO SECURE.
  6. POSITION FLUSH WITH REAR OF INSERT APPROXIMATELY CENTERED WITH RESPECT TO LOUVERED AREA.
  7. FOAM FILTER TO BE INSERTED INTO CONSOLE AND PRESSED DOWN FLUSH TO SLOTTED HOLES BEFORE MOUNTING CONSOLE INTO MOUNTING PLATE. FOAM IS KEYS TO FIT ONE WAY ONLY.

LAYER #2:: FORMAT LAYER  
 LAYER #1: WORK LAYER  
 PLOT SCALE: 1.00  
 SYSTEM #: 20  
 PROGRAM VERSION: UGRAF D4.1  
 FILE NAME: 7021558-0-DBUA

CAUTION: FOR OFF SHEET PARTS LIST, REFER TO K-PL-7021558-0-DBP (Z8758)

DESCRIPTION	DRAWING NO.	PART NO.	DIMENSION RANGES IN INCHES																		
			0-1	1-2	2-3	3-4	4-5	5-6	6-7	7-8	8-9	9-10									
QUANTITY & UNIT																					
L. BOURGALTY D. HEALY R. LEWIS R. LEWIS M. MUSTICA E AD 7021558-0 DBU	11/24 FX 5 FEB 84 20 4 84 20 4 84 20 4 84 20 4 84		TITLE: CONSOLE ASSY 5.25 DOCUMENT NUMBER: E AD 7021558-0 DBU A																		

LINE ITEM	TOP DOCUMENT	PART NUMBER	MIN REV	DESCRIPTION	GTY PER VARIATION
				VARIATION REVISION LEVEL:	A1
1	E-IA-7424269-0-0	7424269-00		CONSOLE INSERT	1
2	A-PS-1216178-0-0	1216178-00		LOCK,PLASTIC 4POS ASSY	1
3	D-UA-5413885-0-0	5413885-02		CONSOLE MODULE, 2 JUMPERS	1
4	E-IA-7424270-0-0	7424270-00		BEZEL	1
5	E-IA-7430115-0-DBU	7430115-01	A	PANEL,MOUNTING,5.25	1
6	D-IA-7430116-0-DBU	7430116-01	A	BRACKET,ANGLE	1
7	A-PS-3617320-0-0	3617320-00	A	LABEL,KEYLOCK LEGEND STRIP	1
8	A-PS-3617324-0-0	3617324-00	A	LABEL,LEGEND STRIP PDP 11/24 LED	1
9	A-PS-1217665-0-0	1217665-02		FILTER,AIR FOAM 020PPI	1
10	A-PS-1217665-0-0	1217665-01		FILTER,AIR FOAM 020PPI	1
11	B-MD-7424246-0-0	7424246-00	-	TAPE HOOK ADHESIVE BACK	6
12		9008020-02	-	SCREW,MACH FLAT PHIL	6- 5
13		9009255-00	B	LABEL, POWER SUPPLY, 2-15/16	L 1
14		9009984-02	B	SCREW,SEMS PAN PHIL	6- 4
15		9009545-01	B	SCREW,SEMS PAN PHIL	8- 3
16		9006039-01	-	SCREW,MACH PAN PHIL	8- 1
17		9006690-00	-	WASHER,HELICAL SPLIT SST	1
18		9008072-00	-	WASHER,LOCK EXTERNAL STEEL	1

REVISION HISTORY		BASIC PART NO: 7021558		DRN:	L. BOURGAULT	DATE:	03-FEB-84	D I G I T A L			
ENG:	ECO NUMBER	REV	SECTION A OF A	CHK'D:	D. HEALY	DATE:	04-APR-84	TITLE PARTS LIST			
	INITIAL	A	SECTION VARIATION INDEX (A)01					CONSOLE ASSY, 5.25			
			(B)	DES.ENG:	R. LEWIS	DATE:	04-APR-84	DOCUMENT NUMBER			
			(C)					SIZE	CODE	NUMBER	REV
			(D)	RESP.ENG.:	R. LEWIS	DATE:	04-APR-84	K	PL	7021558-0-DBP	A
			(E)	MFG.ENG.:	M. HUTNICK	DATE:	04-APR-84	RELEASE DATE: 01-MAY-84			
			(F)	ASSEMBLY NUMBER:	E-AD-7021558-0-DBU	TOP DOCUMENT NUMBER:	E-AD-7021558-0-DBU	FILE NAME:	Z8758A.PLS	EDIT #	6

"THIS DRAWING AND THE SPECIFICATIONS CONTAINED HEREIN ARE CONFIDENTIAL AND PROPRIETARY. THEY ARE THE PROPERTY OF DIGITAL EQUIPMENT CORPORATION AND SHALL NOT BE REPRODUCED OR COPIED OR USED IN WHOLE OR IN PART AS THE BASIS FOR THE MANUFACTURE OR SALE OF ITEMS WITHOUT WRITTEN PERMISSION. THIS IS AN UNPUBLISHED WORK PROTECTED UNDER THE FEDERAL COPYRIGHT LAWS."