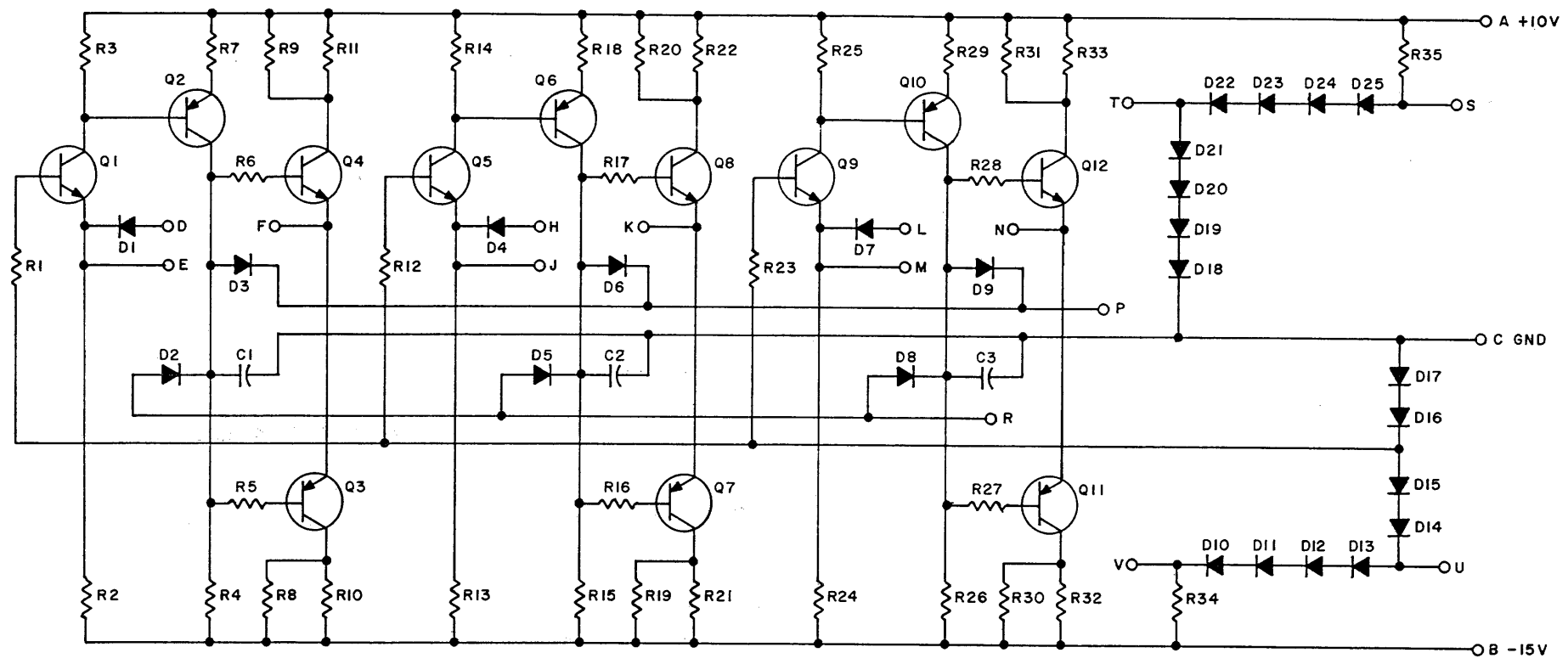


THIS SCHEMATIC IS FURNISHED ONLY FOR TEST AND MAINTENANCE PURPOSES. THE CIRCUITS ARE PROPRIETARY IN NATURE AND SHOULD BE TREATED ACCORDINGLY. COPYRIGHT 1965 BY DIGITAL EQUIPMENT CORPORATION



Q2, Q3, Q6, Q7, Q10, Q11	TRANSISTOR DEC6534D	1503409
Q1, Q4, Q5, Q8, Q9, Q12	TRANSISTOR DEC3009B	1503100
D1 - D9	DIODE D664	1100114
D10 - D25	DIODE D662	1100113
R8, R10, R19, R21, R30, R32, R34	RES. 750 1/4W 5% C	1301401
R5, R6, R16, R17, R27, R28	RES. 100 1/4W 5% C	1300229
R4, R15, R26	RES. 7.5K 1/4W 5% C	1301422
R3, R14, R25	RES. 3K 1/4W 5% C	1300432
R2, R13, R24	RES. 15K 1/4W 5% C	1300496
R23, R29, R31, R33, R35	RES. 390 1/4W 5% C	1300309
C1 - C3	CAP. 27MMF 100V 5% MICA	1001739
	PARTS LIST	A-PL-W602-0
REFERENCE DESIGNATION	DESCRIPTION	PART NO.

REVISIONS	CHK CHG NO. REV.	DATE
	REV. & REDR.	
	7037	A

DRN.	I. HAHN	DATE	4-26-65
CHK'D	R. SILVERMAN	DATE	4-27-65
ENG.	R. DOANE	DATE	4-27-65
PROD.		DATE	

TRANSISTOR & DIODE CONVERSION CHART			
DEC	EIA	DEC	EIA
D662	1N645		
D664	1N3606		
DEC3009B	2N3009		
DEC6534D	MP36534		

**digital** EQUIPMENT CORPORATION  
MAYNARD, MASSACHUSETTS

TITLE: BIPOLAR LEVEL AMPLIFIER W602

SIZE: C CS W602  
NUMBER: 0-1  
REV: A

PRINTED CIRCUIT REV: A

DIST: 324 434 52

REV. A  
NUMBER W602-0-1  
SIZE CODE C CS