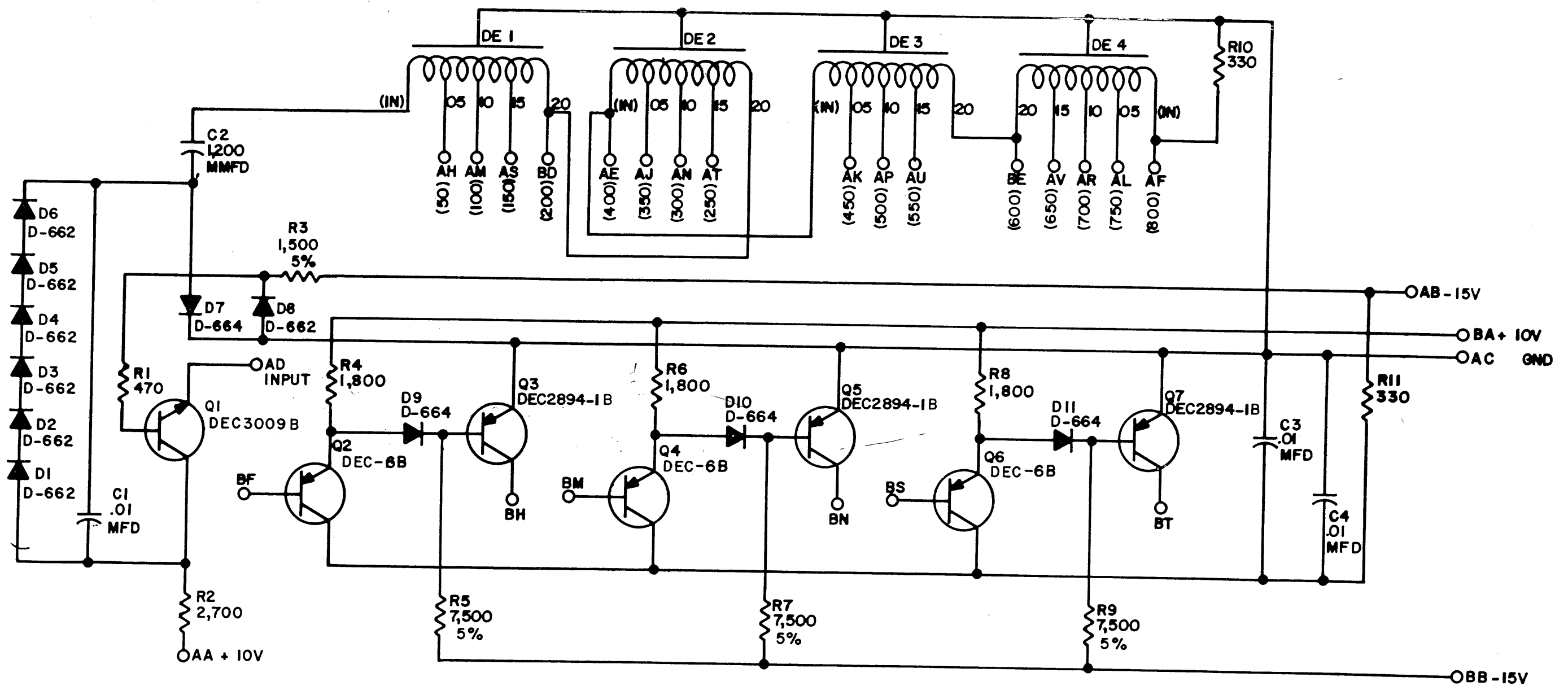
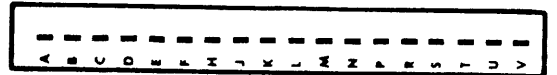


THIS SCHEMATIC IS FURNISHED ONLY FOR TEST AND MAINTENANCE PURPOSES. THE CIRCUITS ARE PROPRIETARY IN NATURE AND SHOULD BE TREATED ACCORDINGLY. COPYRIGHT 1964 BY DIGITAL EQUIPMENT CORPORATION



UNLESS OTHERWISE INDICATED:
RESISTORS ARE 1/4W, 10%
DE 1 - DE 4 ARE DEC NO. 330-25E-6



PARTS LIST A-PL-W300-0-0

REVISIONS	CHK	CHG NO.	REV.	C, D	E	F	DRN. H. PORTER	DATE	TRANSISTOR & DIODE CONVERSION CHART				TITLE DELAY LINE W30C		
	REV	REDR.	5440	5653	7108	12-3-64		DEC	EIA	DEC	EIA	digital EQUIPMENT CORPORATION MAYNARD, MASSACHUSETTS		SIZE	CODE
							CHK'D	DATE	DEC-6B	NONE			B	CS	W300-0-1
							ENG.	DATE	DEC2894-1B	NONE					
							D. O'CONNOR	DATE	DEC3009B	2N3009					
							PROD.	DATE	D662	IN645					
							2		D664	IN3606					
DEC FORM NO. DRB 102												PRINTED CIRCUIT REV. C			

PINK

DIST. 324 434 435