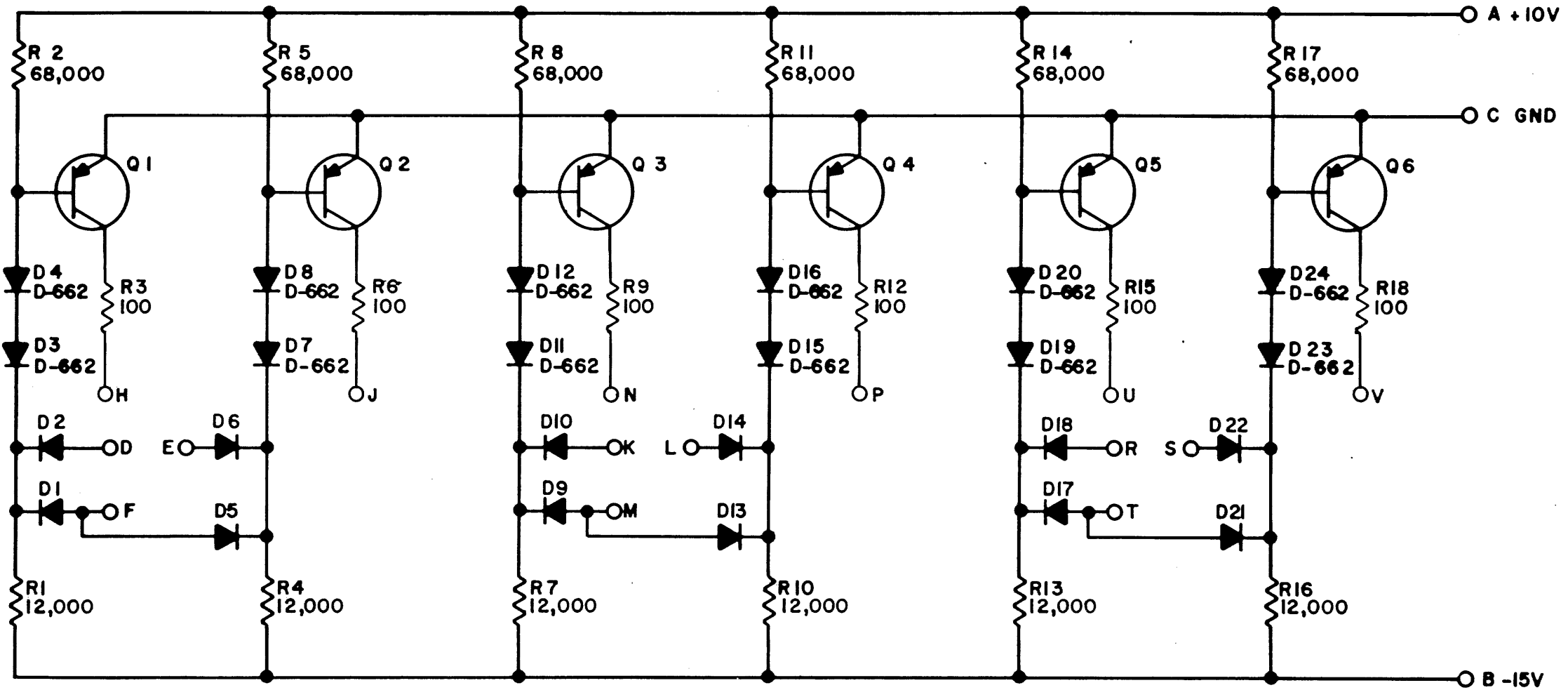
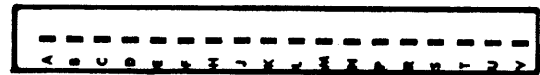


THIS SCHEMATIC IS FURNISHED ONLY FOR TEST AND MAINTENANCE PURPOSES. THE CIRCUITS ARE PROPRIETARY IN NATURE AND SHOULD BE TREATED ACCORDINGLY. COPYRIGHT 1964 BY DIGITAL EQUIPMENT CORPORATION



UNLESS OTHERWISE INDICATED:
 TRANSISTORS ARE DEC 2894-1B
 RESISTORS ARE 1/4 W, 10%
 DIODES ARE D-664



REVISIONS	CHK CHG NO. REV.	DRN.	DATE	TRANSISTOR & DIODE CONVERSION CHART				TITLE
	REV. 5672 A	A. OUELLETTE	8-31-64	DEC	EIA	DEC	EIA	
	REV. 5705 B	CHK'D	DATE	DEC 2894-1B	NONE			SIZE CODE NUMBER REV.
		ENG.	DATE	D662	IN645			B CS W101-0-1 B
		PROD.	DATE	D664	IN3606			PRINTED CIRCUIT REV. B