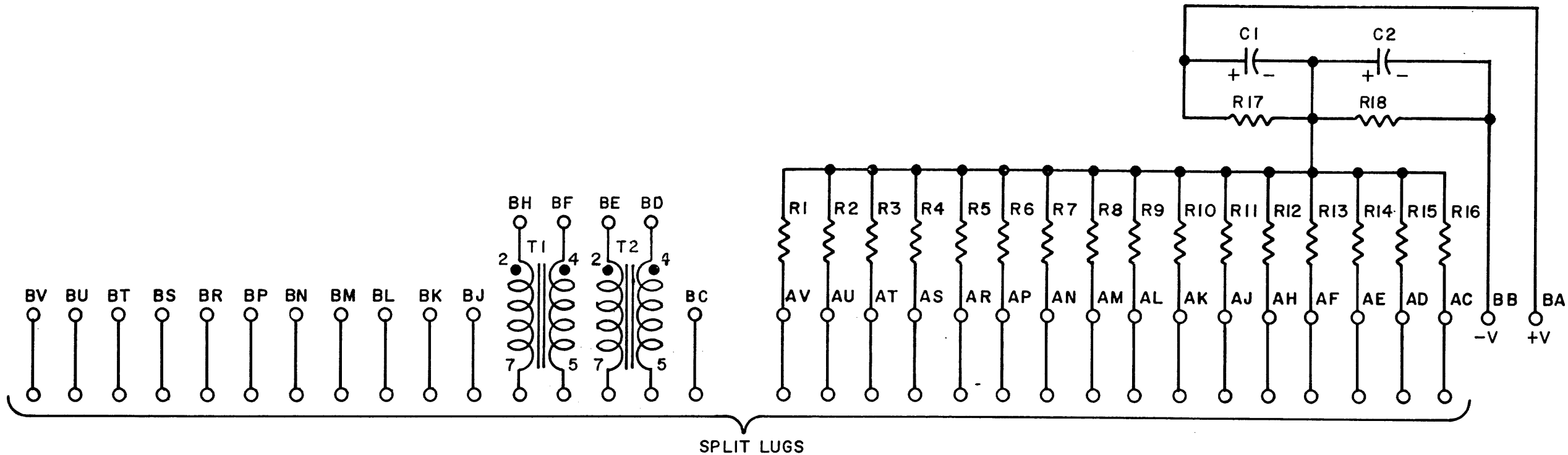




REV. B	NUMBER W013-0-1	SIZE CODE B CS
--------	-----------------	----------------

THIS SCHEMATIC IS FURNISHED ONLY FOR TEST AND MAINTENANCE PURPOSES. THE CIRCUITS ARE PROPRIETARY IN NATURE AND SHOULD BE TREATED ACCORDINGLY. COPYRIGHT 1968 BY DIGITAL EQUIPMENT CORPORATION



TI, T2	TRANSFORMER T2052	1205794-02
R17, R18	RES. 470 2W 5% CC	1303062
R1 THRU R16	RES. 330 1W 10% CC	1300298
C1, C2	CAP. 50MFD 25V -10 +75%ELECT	1001796
	PARTS LIST	A-PL-W013-0-0
REFERENCE DESIGNATION	DESCRIPTION	PART NO.

REVISIONS CHK CHG NO. REV. M 0001 A P 0002 B	DRN. <i>m. Haller</i>	DATE <i>2-6-68</i>	TRANSISTOR & DIODE CONVERSION CHART				digital EQUIPMENT CORPORATION MAYNARD, MASSACHUSETTS	TITLE WORD SINK STACK CONNECTOR W013			
	CHK'D <i>K. Sil...</i>	DATE <i>2/6/68</i>	DEC	EIA	DEC	EIA		SIZE B	CODE CS	NUMBER W013-0-1	REV. B
	ENG. <i>J. As...</i>	DATE <i>2/9/68</i>						PRINTED CIRCUIT REV. A B			
	PROD. <i>J. Gannon</i>	DATE <i>2-8-68</i>									



PINK 5

DIST. 324 434 435³