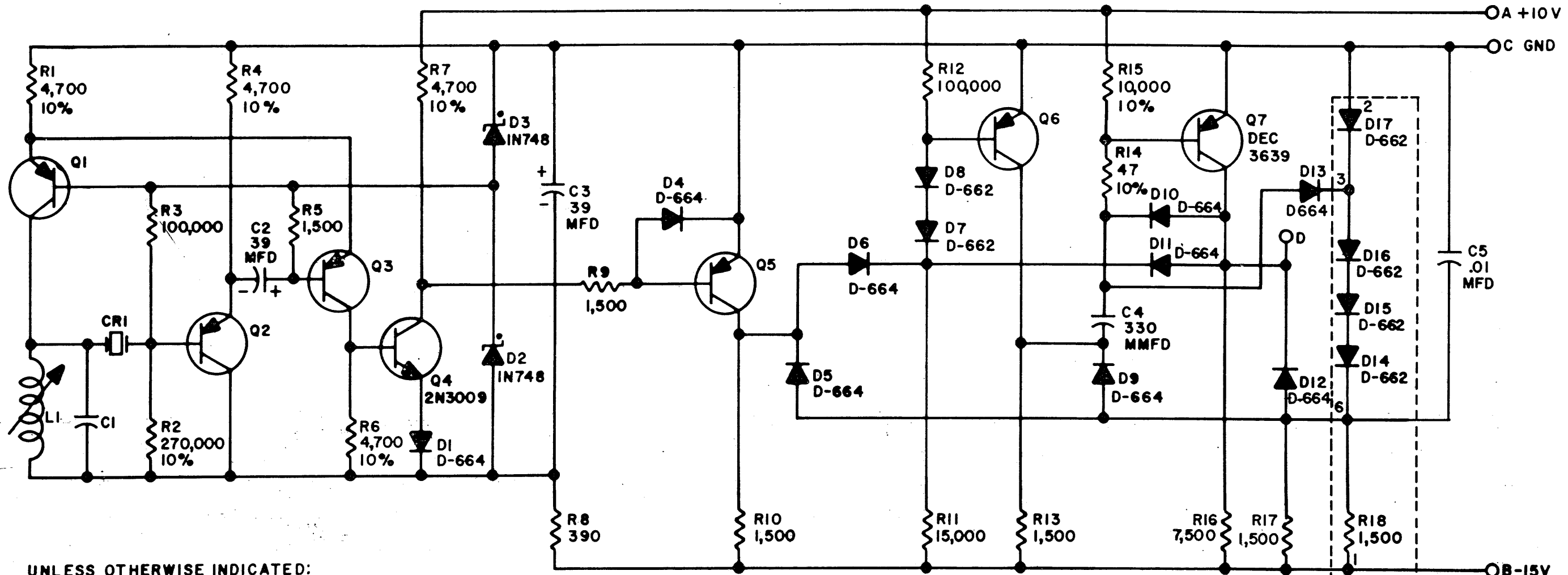


THIS SCHEMATIC IS FURNISHED ONLY FOR TEST AND MAINTENANCE PURPOSES. THE CIRCUITS ARE PROPRIETARY IN NATURE AND SHOULD BE TREATED ACCORDINGLY. COPYRIGHT 1964 BY DIGITAL EQUIPMENT CORPORATION



UNLESS OTHERWISE INDICATED:
 RESISTORS ARE 1/4W; 5%
 TRANSISTORS ARE DEC 3639-0
 FOR VALUES OF L1, C1 & CRI SEE DWG CHART A-00517-2



REVISIONS	CHK	CHG NO.	REV.
DAW	5089	3	J
REV. & REDR.	5394	H	
	6555		

DRN.	DATE
H. PORTER	11-21-64
CHK'D N. PERRYMAN	12-4-64
ENG. D. O'CONNOR	12-4-64
PROD.	DATE

TRANSISTOR & DIODE CONVERSION CHART			
DEC	EIA	DEC	PTA
DEC3639	2N3639	IN748 3.9V	SAME
DEC3639-0	2N3639		
2N3009	SAME		
D662	IN645		
D664	IN3606		

digital
 EQUIPMENT CORPORATION
 MAYNARD, MASSACHUSETTS

TITLE			
CRYSTAL CLOCK R405			
SIZE	CODE	NUMBER	REV.
B	CS	R405-0-1	J
PRINTED CIRCUIT REV.			
H J			