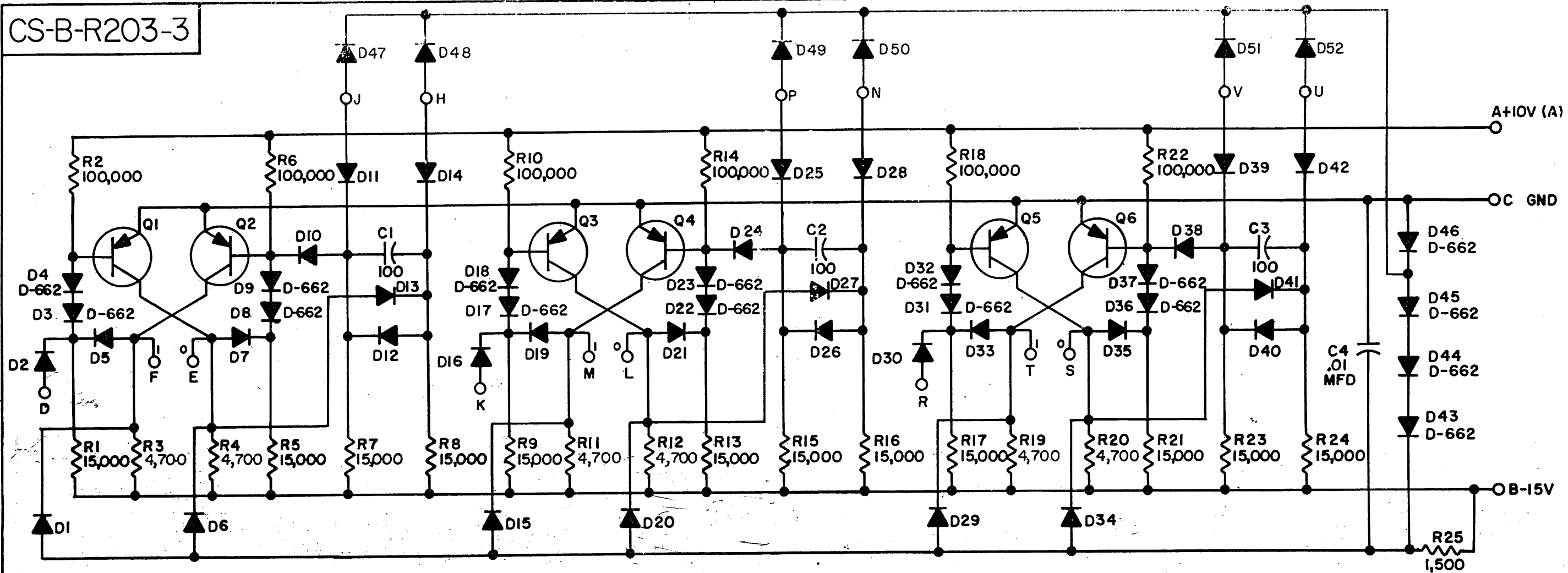


CS-B-R203-3



UNLESS OTHERWISE INDICATED:
 RESISTORS ARE 1/4W; 5%
 CAPACITORS ARE MMFD
 DIODES ARE D-664
 TRANSISTORS ARE DEC 3639C

 A B C D E F G H J K L M N P Q R S T U V W X Y Z

6331-3	4846/	4507-1	ECO. NO.	DRAFTSMAN	CHECKER	digital EQUIPMENT CORPORATION MAYNARD, MASSACHUSETTS	CODE	DWG. NO.	REV.
				A. OUELLETTE	<i>[Signature]</i>		CS	B-R203	
	4882-2		ENG.	ENGINEER	PRODUCTION	TITLE	TRIPLE FLIP-FLOP R203		
				DATE	DATE				