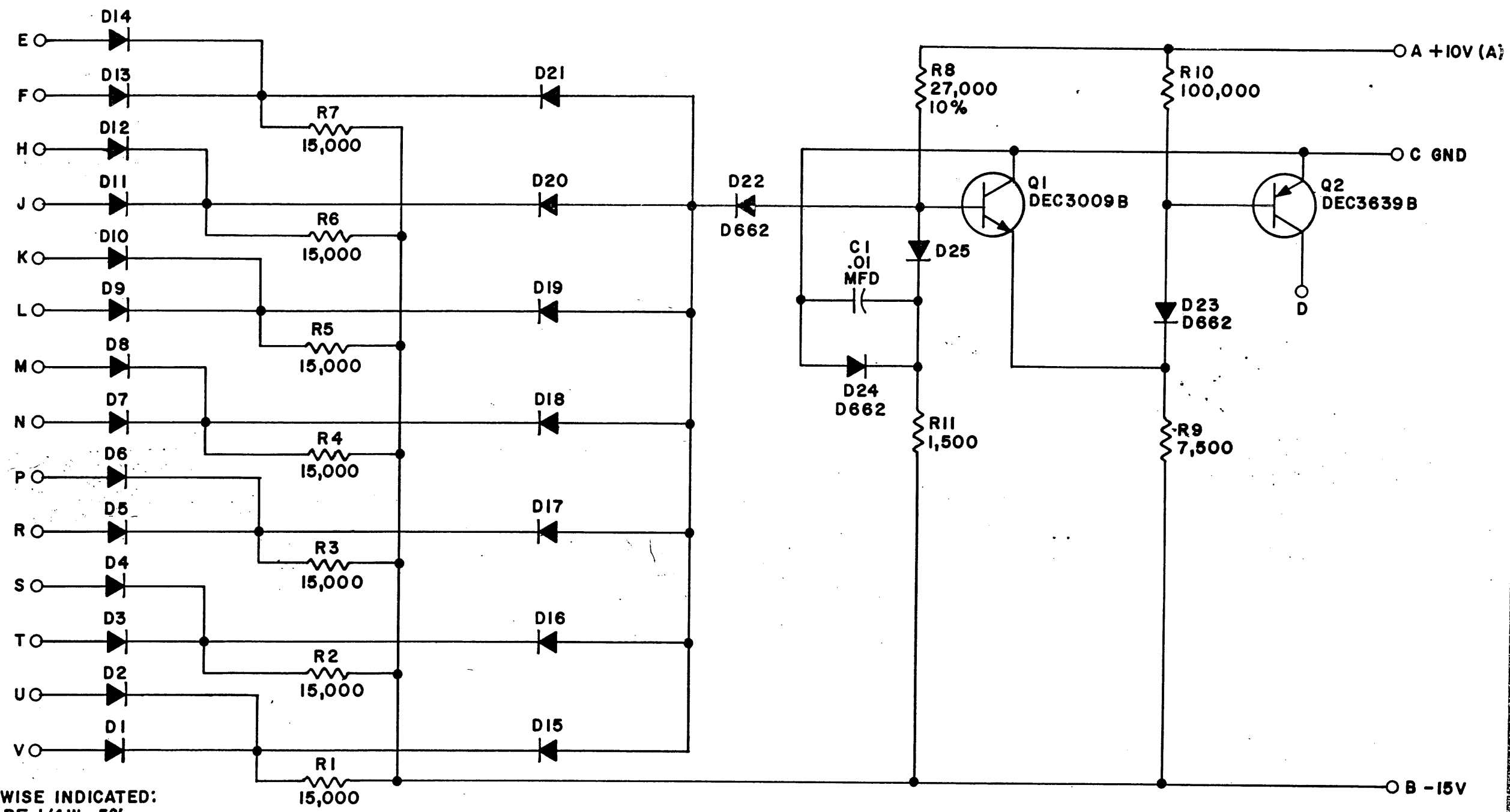
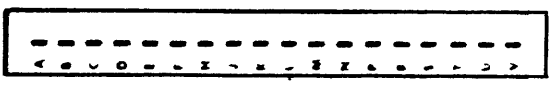


THIS SCHEMATIC IS FURNISHED ONLY FOR TEST AND MAINTENANCE PURPOSES. THE CIRCUITS ARE PROPRIETARY IN NATURE AND SHOULD BE TREATED ACCORDINGLY. COPYRIGHT 1964 BY DIGITAL EQUIPMENT CORPORATION

REV. F NUMBER R141-0-1 SIZE CODE B CS



UNLESS OTHERWISE INDICATED:  
RESISTORS ARE 1/4W, 5%  
DIODES ARE D664



REVISIONS	CHK	CHG NO.	REV.
	DAW	5276	5
	REV. B	REDR.	F
		6544	

DRN. A.OUELLETTE	DATE 7-16-64
CHK'D N.PERRYMAN	DATE 7-16-64
ENG. R.BANK	DATE 7-16-64
PROD. 2	DATE

TRANSISTOR & DIODE CONVERSION CHART			
DEC		EIA	
DEC3639B		2N3639	
DEC3009B		2N3009	
D662		1N645	
D664		1N3606	

**digital**  
EQUIPMENT CORPORATION  
MAYNARD, MASSACHUSETTS

TITLE DIODE GATE R141			
SIZE B	CODE CS	NUMBER R141-0-1	REV. F
PRINTED CIRCUIT REV.			E