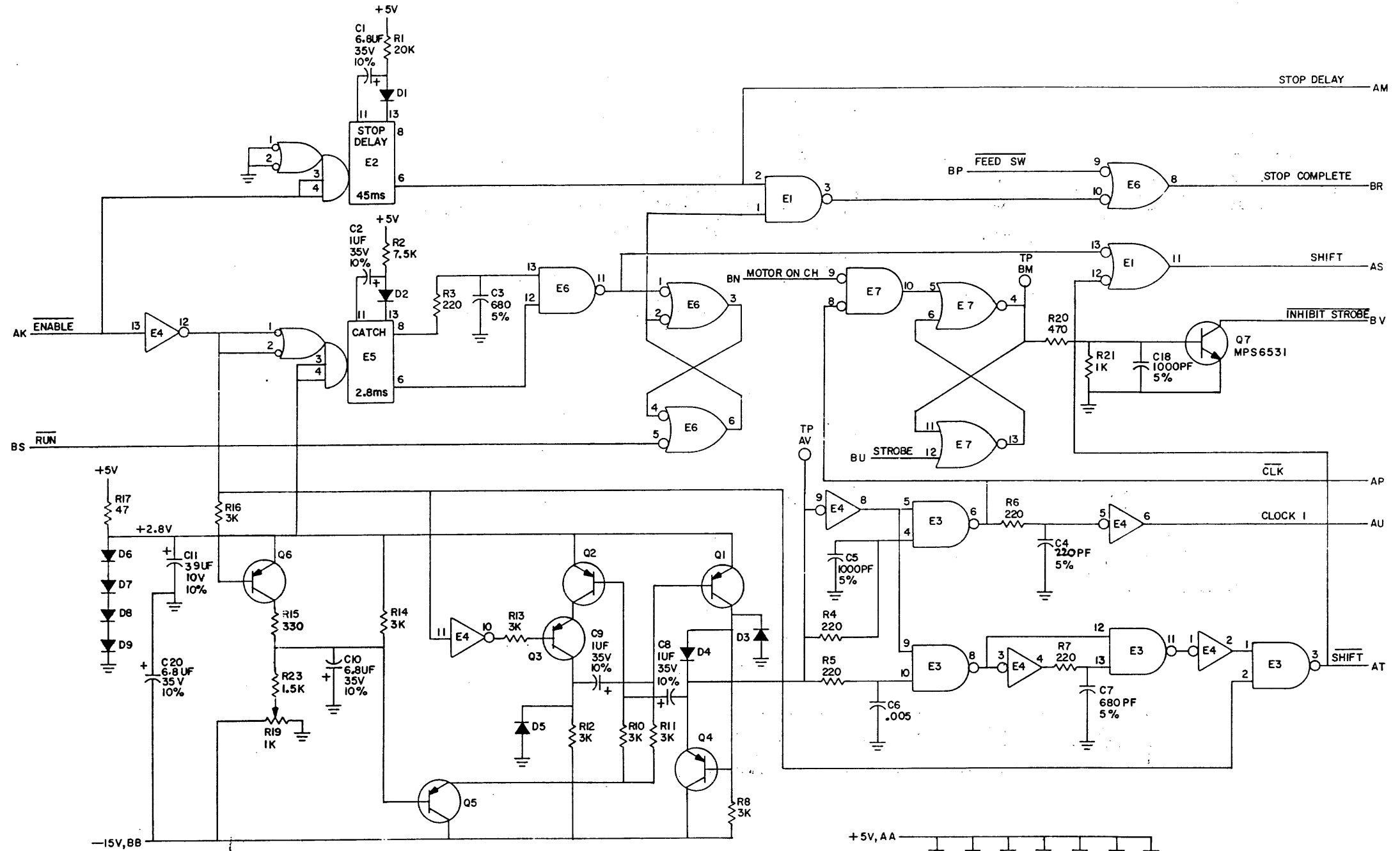


THIS SCHEMATIC IS FURNISHED ONLY FOR TEST AND MAINTENANCE PURPOSES. THE CIRCUITS ARE PROPRIETARY IN NATURE AND SHOULD BE TREATED ACCORDINGLY. COPYRIGHT 1967 BY DIGITAL EQUIPMENT CORPORATION



UNLESS OTHERWISE INDICATED:
 TRANSISTORS = DEC6534D
 DIODES = D664
 RESISTORS = 1/4W, 5%
 CAPACITORS = .01UF, 100V, 20%
 E1, E3, E6 = DEC7400
 E4 = DEC7404
 E2, E5 = DEC9601
 PIN 7 = GND ON ALL IC'S
 PIN 14 = +5V
 E7 = DEC7402

REV	NO	CHG	BY	DATE
E	0002		AY	
K	0006			
L	0007			
L	0008			

DRN	DATE	DEC	EIA
M. HALLER	10/16/67	DEC6534D	MPS6534
R. SILVERMAN	11/2/67	D664	IN3606
R. G. SOGGE	11/2/67	DEC6531	MPS6531

TRANSISTOR & DIODE CONVERSION CHART			
DEC	EIA	DEC	EIA
DEC6534D	MPS6534	IN758	SAME
D664	IN3606		
DEC6531	MPS6531		

digital EQUIPMENT CORPORATION
 MAYNARD, MASSACHUSETTS

TITLE: **READER CLOCK M715**

SIZE: C CS NUMBER: M715-C-1 REV: L

PRINTED CIRCUIT REV: F

SIZE CODE: C CS
 NUMBER: M715-C-1
 REV: L