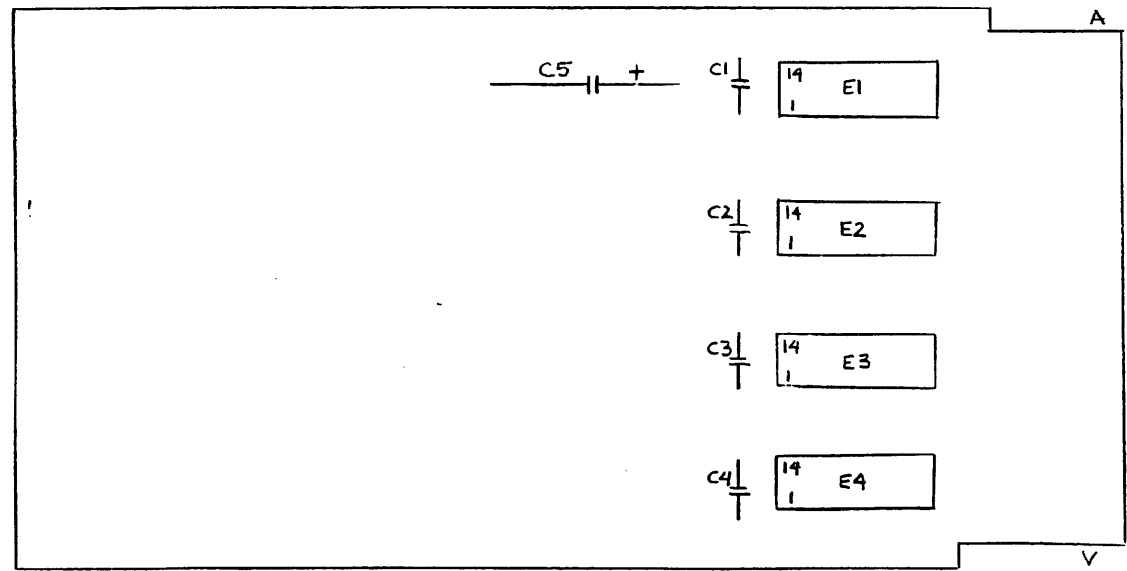
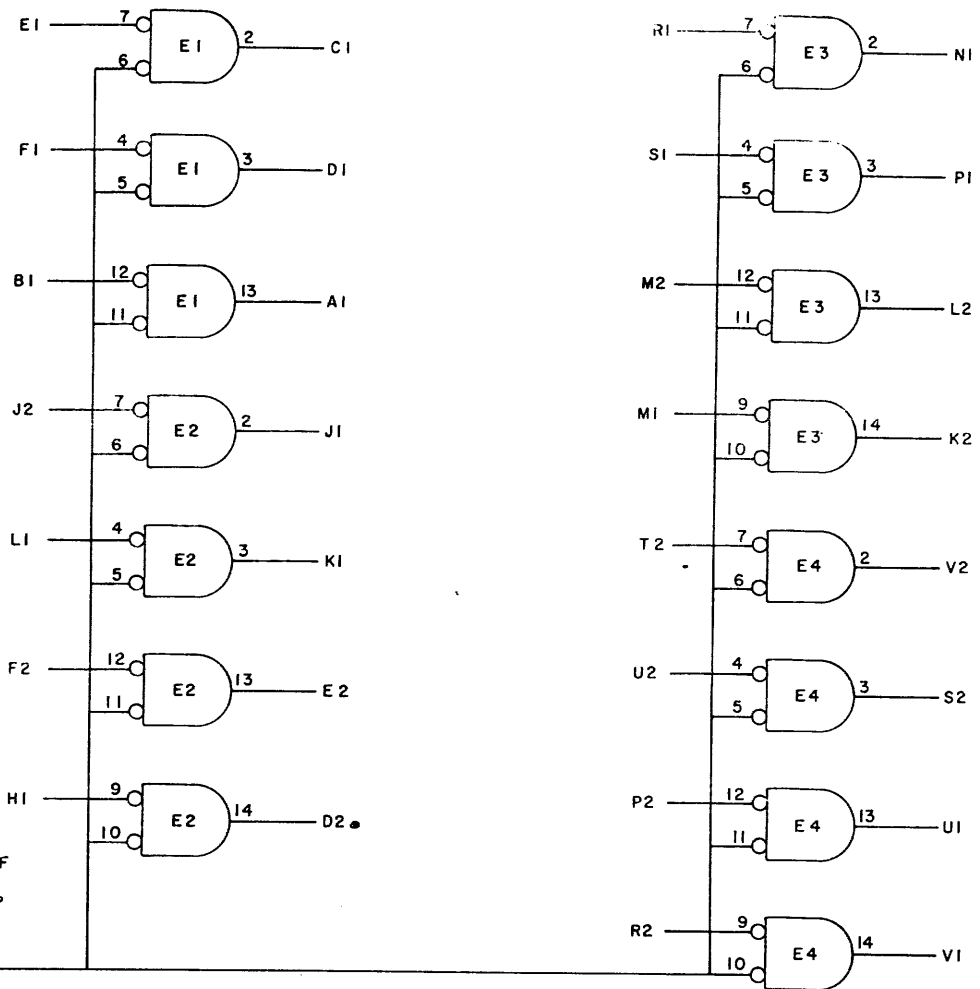
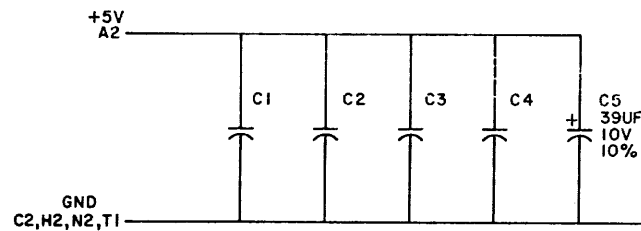


THIS SCHEMATIC IS FURNISHED ONLY FOR TEST AND MAINTENANCE PURPOSES. THE CIRCUITS ARE PROPRIETARY IN NATURE AND SHOULD BE TREATED ACCORDINGLY. COPYRIGHT 1970 BY DIGITAL EQUIPMENT CORPORATION

UNLESS OTHERWISE INDICATED:  
 CAPACITORS ARE .01UF, 100V, 20%  
 IC'S ARE DEC 380A  
 PIN 1= GND ON EACH IC  
 PIN 8= +5V



ITEM NO.	DEC PART NO.	DESCRIPTION	QTY.
9	9008337-06	HANDLE, FLIP CHIP - MAGENTA	1
8	9006732	EYELET #GS 4-7	2
7	1909485	I.C. DEC 380A	4
6	1001610	CAP. .01UF, 100V, 20% DISC	4
5	1000076	CAP. 39UF, 10V, 10% S. TANT	1
4	5009338	ETCHED CIRCUIT BOARD	1
3	B-MH-M511-0-6	MODULE ECO HISTORY	
2	C-AH-M511-0-5	ASSY/DRILLING HOLE LAYOUT	
1	K-CO-M511-0-4	X-Y COORDINATE HOLE LOCATION	

PARTS LIST

REVISIONS CHK/CHG NO/REV	DRN. <i>S. Cooper</i> DATE <i>12/14/70</i>	TRANSISTOR & DIODE CONVERSION CHART			TITLE <b>POSITIVE BUS RECEIVER M511</b>
	CHK'D <i>dm-m</i> DATE <i>2-4-71</i>	DEC    EIA    DEC    EIA	SIZE C    CODE CS    NUMBER M511-0-1    REV A		
ENG. <i>De Salt</i> DATE <i>5-11-71</i>	PROD    DATE	MAYNARD, MASSACHUSETTS		PRINTED CIRCUIT REV <b>B</b>	

REV. A  
 NUMBER M511-0-1  
 SIZE CODE C CS