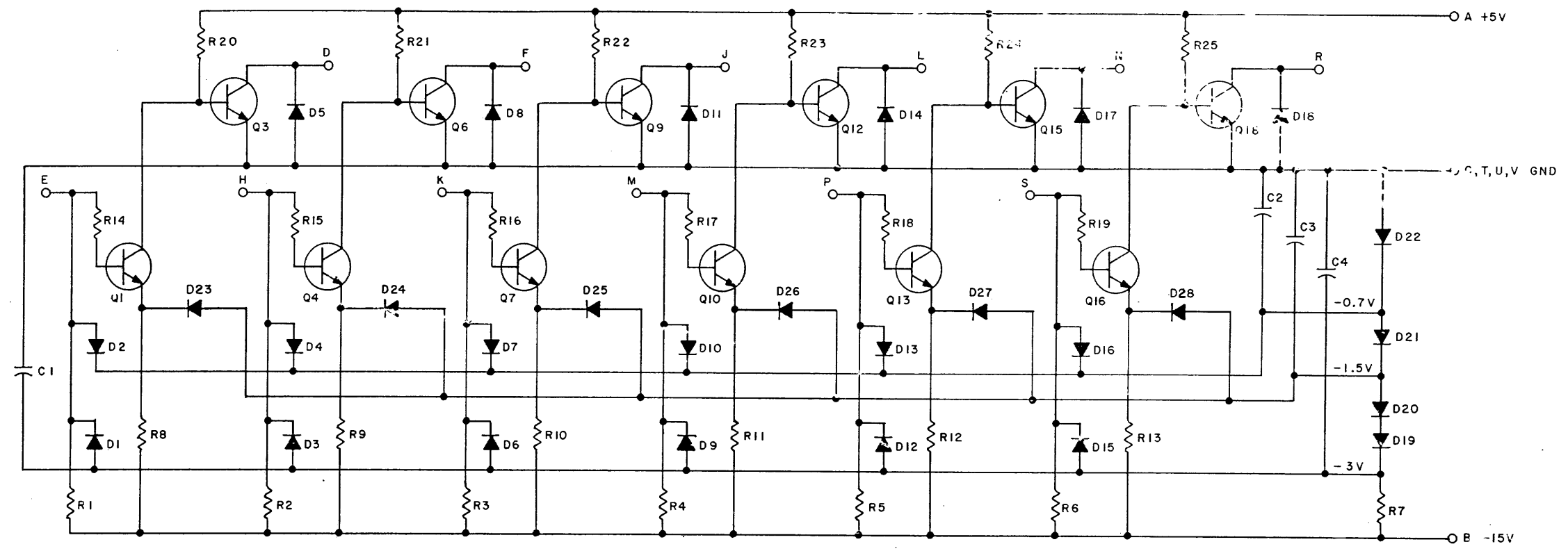


THIS SCHEMATIC IS FURNISHED ONLY FOR TEST AND MAINTENANCE PURPOSES. THE CIRCUITS ARE PROPRIETARY IN NATURE AND SHOULD BE TREATED ACCORDINGLY. COPYRIGHT 1968 BY DIGITAL EQUIPMENT CORPORATION.



Q15, Q16, Q18	TRANSISTOR DEC3009B-S	1503100
Q1, Q3, Q4, Q6, Q7, Q9, Q10, Q12, Q13,	RES. 1K 1/4W 5% CC	1300365
R20-R25	RES. 2.2K 1/4W 5% CC	1300417
R8-R13	RES. 470 1/4W 5% CC	1300316
R14-R19	RES. 1.5K 1/4W 5% CC	1300391
R7	RES. 7.5K 1/4W 5% CC	1301422
R1-R6	CAP. .01 MFD 100V 20% DISC	1001610
C1-C4	DIODE D662	1100113
D19-D22	DIODE D664	1100114
D1-D18, D23-D28	PARTS LIST	A-PL-M508-0-0
REFERENCE DESIGNATION	DESCRIPTION	PART NO.

REVISIONS	CHKD	DATE
00001 A		

DRN	DATE
M. Neller	8-29-68
CHKD	DATE
W. H. Kelly	8-29-68
ENG	DATE
PROD	DATE

TRANSISTOR & DIODE CONVERSION CHART	
DEC	EIA
DEC3009B	2N3009
D662	1N645
D664	1N645

digital EQUIPMENT CORPORATION
MAYNARD, MASSACHUSETTS

TITLE: BUS CONVERTER M508

SIZE: C CODE: CS NUMBER: M508-0-1 REV: A

PRINTED CIRCUIT REV: C

REV. A
NUMBER M508-0-1
SIZE CODE C CS