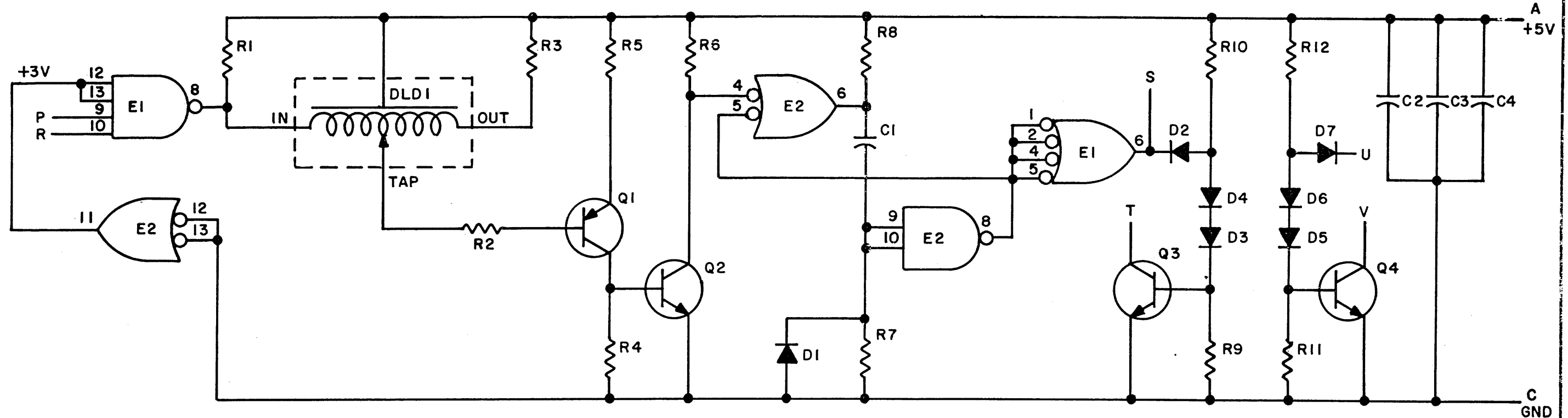


THIS SCHEMATIC IS FURNISHED ONLY FOR TEST AND MAINTENANCE PURPOSES. THE CIRCUITS ARE PROPRIETARY IN NATURE AND SHOULD BE TREATED ACCORDINGLY. COPYRIGHT 1967 BY DIGITAL EQUIPMENT CORPORATION



NOTES:  
 PIN 7 ON EACH IC = GND  
 PIN 14 ON EACH IC = +5V

DLDI	DELAY LINE 500	1602167
E2	INTEGRATED CKT. DEC7400N	1905575
E1	INTEGRATED CKT. DEC7440N	1905579
Q1	TRANSISTOR DEC6534B	1503409-01
Q2, Q3, Q4	TRANSISTOR DEC3009B-S	1503100
R10, R12	RES. 1.5K 1/4W 5% CC	1300391
R9, R11	RES. 3K 1/4W 5% CC	1300432
R7	RES. 220 1/4W 5% CC	1300271
R4, R5, R6	RES. 750 1/4W 5% CC	1301401
R1, R2, R3, R8	RES. 470 1/4W 5% CC	1300316
D1-D7	DIODE D664	1100114
C2, C3, C4	CAP. .01MFD 100V 20% DISC	1001610
C1	CAP. 330MMF 100V 5% D.M.	1000023
PARTS LIST		A-PL-M360-0-0
REFERENCE DESIGNATION	DESCRIPTION	PART NO.

REV. NO.	CHK	CHG NO.	REV.
1	6978	A	
2	7058	B	
3	0001		

DRN. <i>M. Haller</i>	DATE 3-31-67
CHK'D	DATE 5/2/67
ENG. <i>[Signature]</i>	DATE 1/15/67
PROD.	DATE

TRANSISTOR & DIODE CONVERSION CHART			
DEC	EIA	DEC	EIA
DEC3009B	2N3009		
DEC6534B	MPS6534		
D664	IN3606		

**digital**  
 EQUIPMENT CORPORATION  
 MAYNARD, MASSACHUSETTS

TITLE VARIABLE DELAY M360			
SIZE B	CODE CS	NUMBER M360-0-1	REV. B
PRINTED CIRCUIT REV.			A B