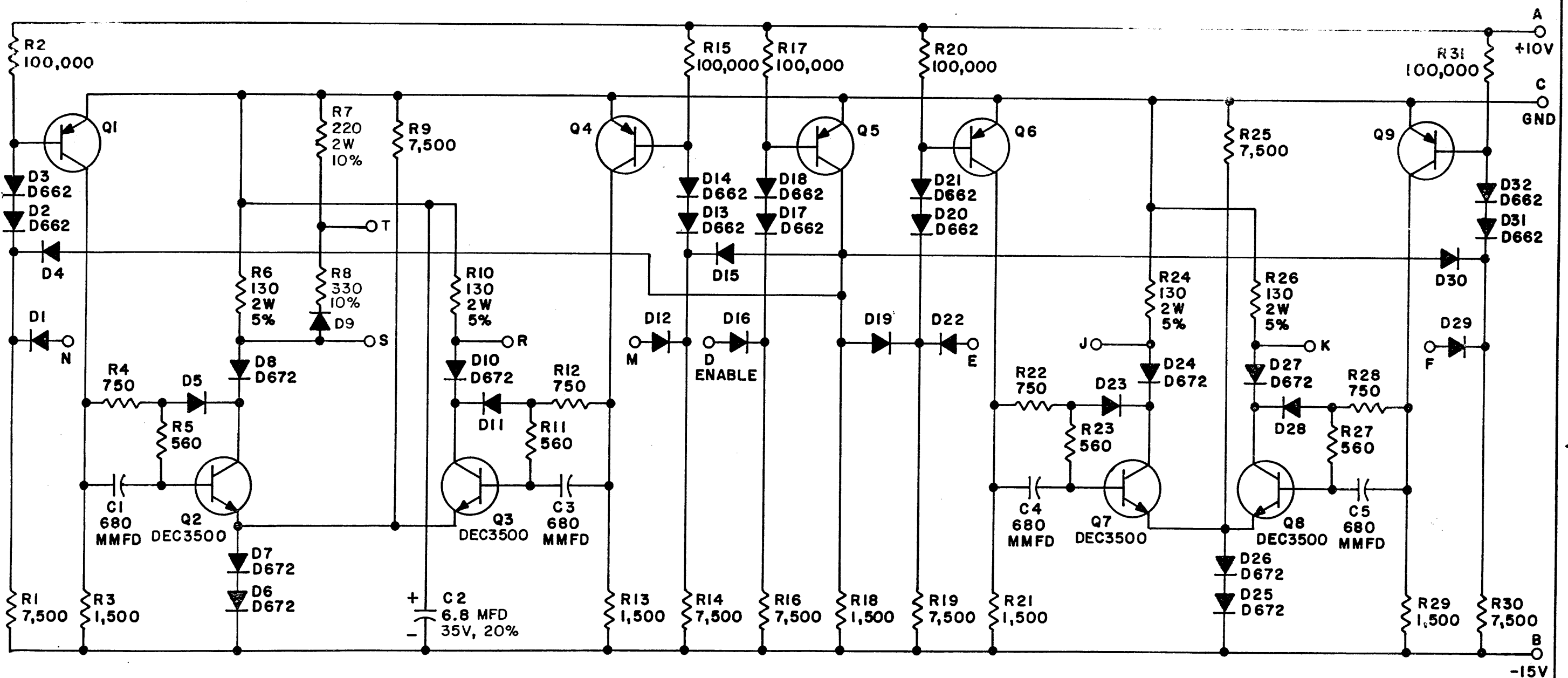
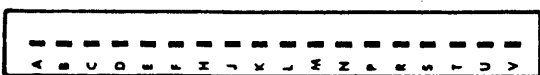


THIS SCHEMATIC IS FURNISHED ONLY FOR TEST AND MAINTENANCE PURPOSES. THE CIRCUITS ARE PROPRIETARY IN NATURE AND SHOULD BE TREATED ACCORDINGLY. COPYRIGHT 1967 BY DIGITAL EQUIPMENT CORPORATION



UNLESS OTHERWISE INDICATED:
 TRANSISTORS ARE DEC6534B
 DIODES ARE D664
 RESISTORS ARE 1/4W; 5%



REVISIONS CHK CHG NO. REV.	6551 B	DRN. <i>M. Haller</i>	DATE 2-16-67	TRANSISTOR & DIODE CONVERSION CHART				TITLE WRITE DRIVER G287			
		CHK'D <i>L. Johnson</i>	DATE 2/16/67	DEC	EIA	DEC	EIA		SIZE B	CODE CS	NUMBER G287-0-1
		ENG. <i>S. Sage</i>	DATE 2/16/67	DEC3500	2N3500			digital EQUIPMENT CORPORATION MAYNARD, MASSACHUSETTS	PRINTED CIRCUIT REV. B		
		PROD. 1	DATE	DEC6534B	MP86534						
				D662	IN645						