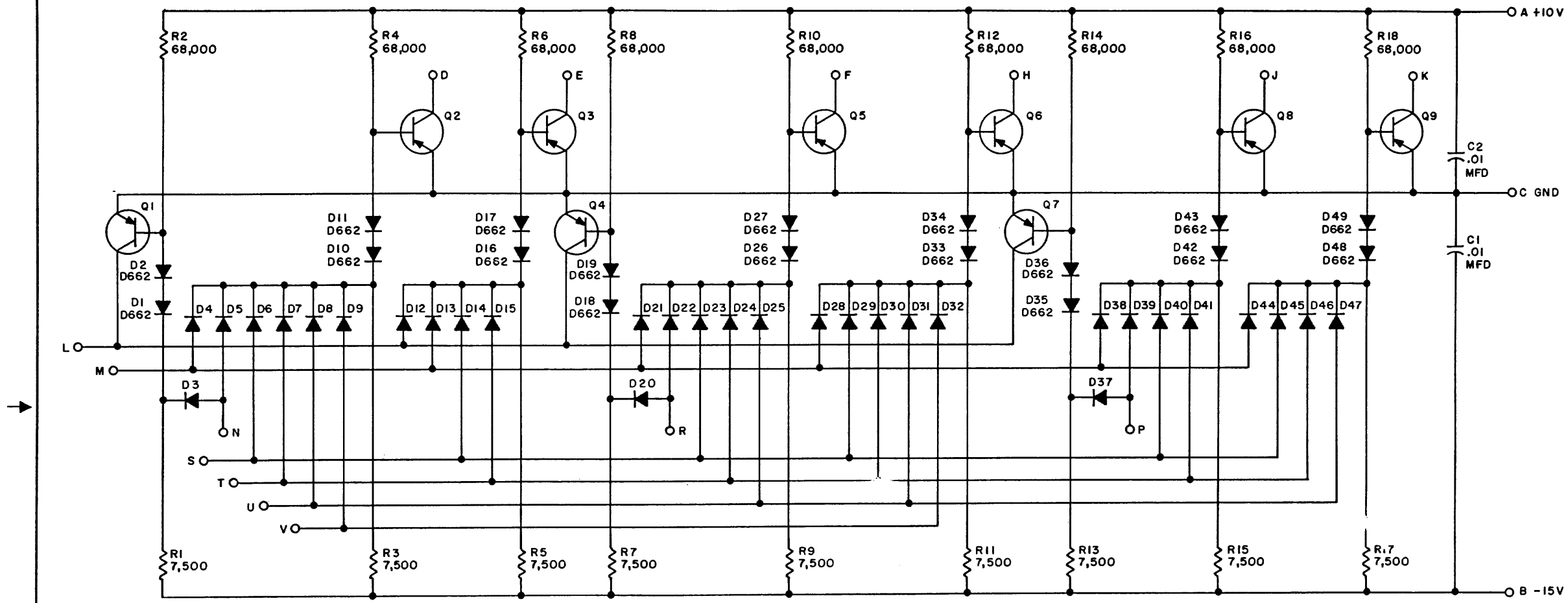


THIS SCHEMATIC IS FURNISHED ONLY FOR TEST AND MAINTENANCE PURPOSES. THE CIRCUITS ARE PROPRIETARY IN NATURE AND SHOULD BE TREATED ACCORDINGLY. COPYRIGHT 1967 BY DIGITAL EQUIPMENT CORPORATION



UNLESS OTHERWISE INDICATED:  
 TRANSISTORS ARE 2N4258  
 RESISTORS ARE 1/4W, 5%  
 DIODES ARE D664

-----  
 1 2 3 4 5 6 7 8 9 10 11 12 13 14 15 16 17 18 19 20 21 22 23 24 25 26 27 28 29 30 31 32 33 34 35 36 37 38 39 40 41 42 43 44 45 46 47 48 49 50

REVISIONS CHK CHG NO. REV.	DRN. <i>M. Waller</i> DATE 3-30-67		TRANSISTOR & DIODE CONVERSION CHART				digital EQUIPMENT CORPORATION MAYNARD, MASSACHUSETTS	TITLE COUNTING GATE B166		
	CHK'D. <i>[Signature]</i> DATE 3/31/67	ENG. <i>[Signature]</i> DATE 3-31-67	DEC	EIA	DEC	EIA		SIZE C	CODE CS	NUMBER B166-0-1
PROD. DATE			D662	IN645			PRINTED CIRCUIT REV. A			
			D664	IN3806						

REV. 1  
 NUMBER B166-0-1  
 SIZE CODE C CS