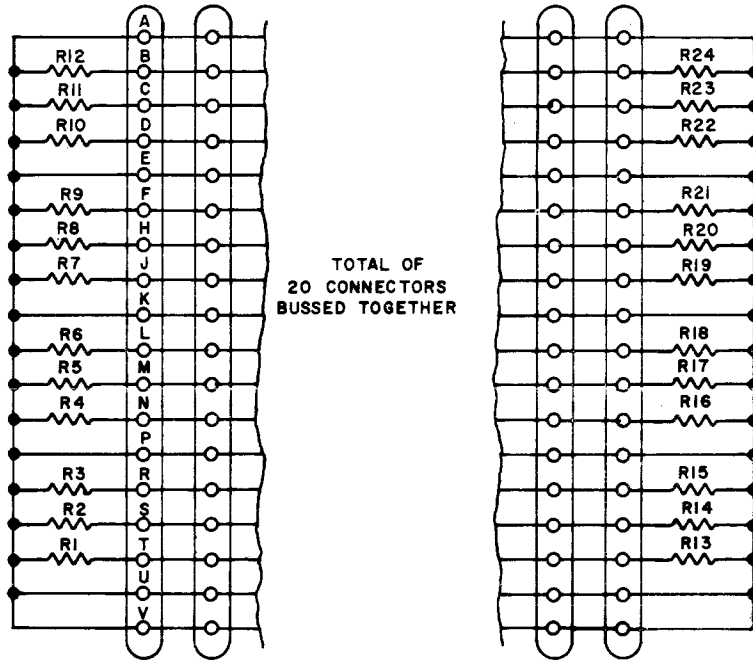


THIS SCHEMATIC IS FURNISHED ONLY FOR TEST AND MAINTENANCE PURPOSES. THE CIRCUITS ARE PROPRIETARY IN NATURE AND SHOULD BE TREATED ACCORDINGLY. COPYRIGHT 1966 BY DIGITAL EQUIPMENT CORPORATION

SAME DESIGNATION ON ALL CONNECTORS



TOTAL OF 20 CONNECTORS BUSSED TOGETHER

UNLESS OTHERWISE INDICATED:
 RESISTORS ARE 68 1/4W; 10%
 RESISTORS R11, R12, R23 & R24
 ARE 47 1/4W; 10%
 CONNECTORS ARE 18 PIN AMPHENOL
 PLUG 143-D18-04



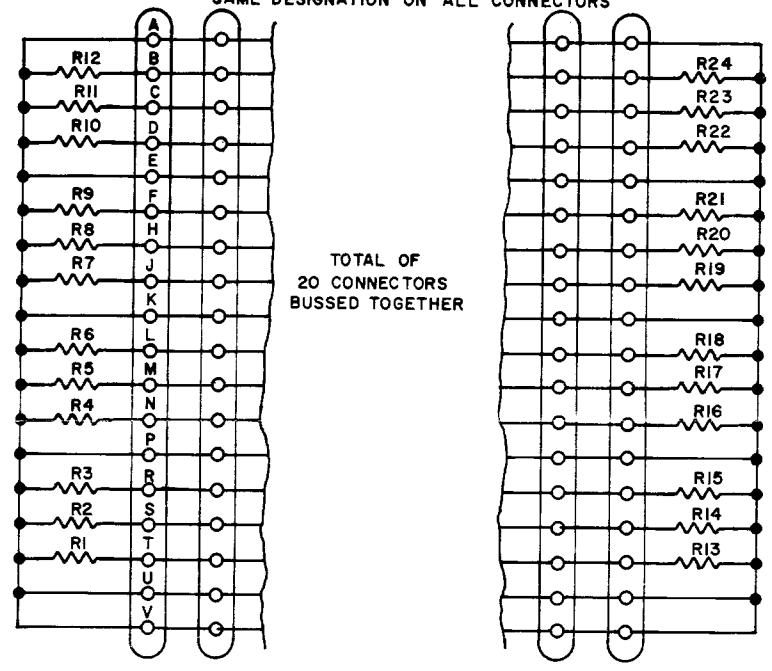
REVISIONS CHK ENG NO. REV.	DRN <i>Mooney</i>	DATE <i>8/24/66</i>	TRANSISTOR & DIODE CONVERSION CHART				digital EQUIPMENT CORPORATION MAYNARD, MASSACHUSETTS	TITLE PDP 6 REAR BUSS TERMINATORS 1051R			REV.
	CHK'D <i>W. Sch...</i>	DATE <i>8/12/66</i>	DEC	EIA	DEC	EIA		SIZE B	CODE CS	NUMBER 1051-R-1	
	ENG <i>a. Floyd</i>	DATE <i>8/17/66</i>									
	PROD.	DATE									

DEC FORM NO. DRB 102

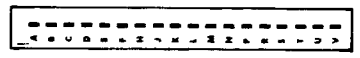
DIGITAL EQUIPMENT CORPORATION • MAYNARD, MASSACHUSETTS

THIS SCHEMATIC IS FURNISHED ONLY FOR TEST AND MAINTENANCE PURPOSES. THE CIRCUITS ARE PROPRIETARY IN NATURE AND SHOULD BE TREATED ACCORDINGLY. COPYRIGHT 1966 BY DIGITAL EQUIPMENT CORPORATION

SAME DESIGNATION ON ALL CONNECTORS



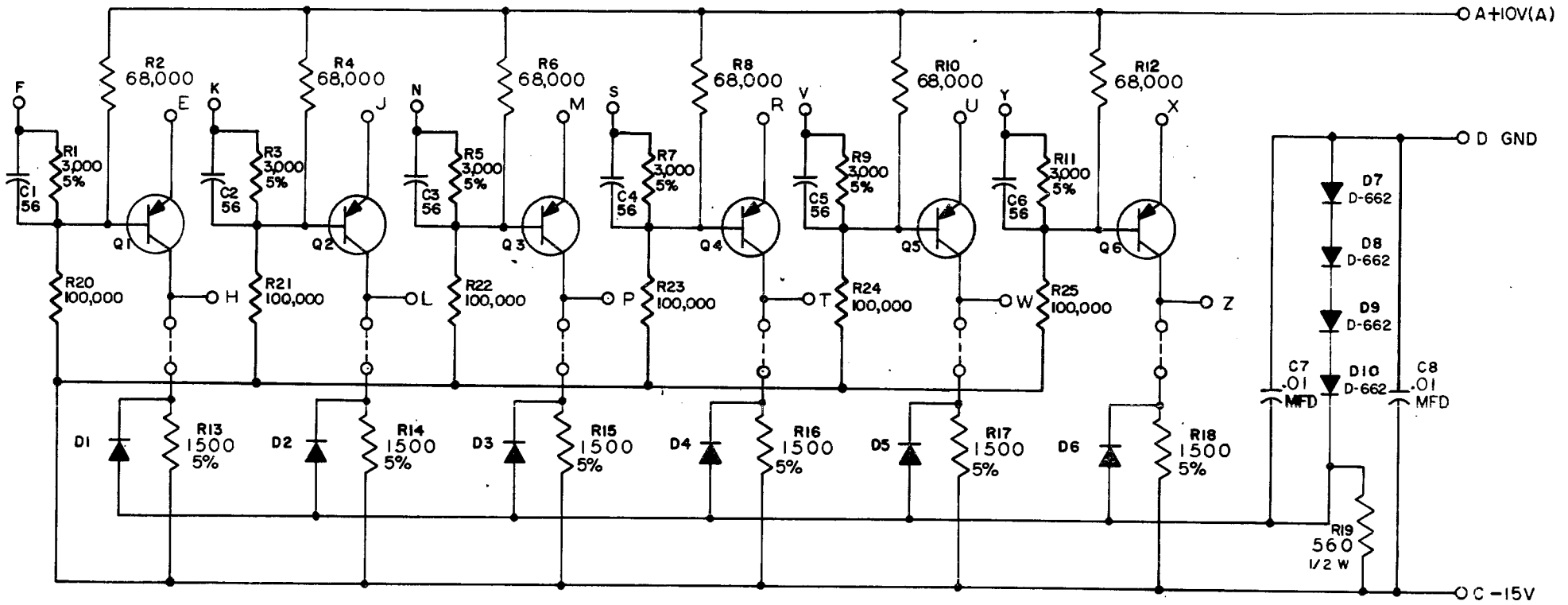
UNLESS OTHERWISE INDICATED:
 RESISTORS ARE 60 1/4W; 10%
 RESISTORS R1, R2, R7, R8, R13,
 R14, R19 & R20 ARE 47 1/4W; 10%
 CONNECTORS ARE 18 PIN AMPHENOL
 PLUGS 143-D18-04



REVISIONS CHK CHG NO. REV.	DRN <i>[Signature]</i>	DATE 7-16-66	TRANSISTOR & DIODE CONVERSION CHART				digital EQUIPMENT CORPORATION MAYNARD, MASSACHUSETTS	TITLE PDP6 REAR BUSS TERMINATORS 1051S			
	CHK'D <i>[Signature]</i>	DATE 8/17/66	DEC	EIA	DEC	EIA		SIZE B	CODE CS	NUMBER 1051-S-1	REV
	ENG A. J. Lloyd	DATE 8/17/66									
	PROD.	DATE									

DEC FORM NO. DRB 102

RS-B-1103-9



UNLESS OTHERWISE INDICATED:
 RESISTORS ARE 1/4W; 10%
 CAPACITORS ARE MMFD
 DIODES ARE D-664
 TRANSISTORS ARE DEC2894-1

TRANSISTOR & DIODE CONVERSION CHART			
DEC	EIA	DEC	EIA
DEC2894-1	DEC2894-1		
D-664	1N5468		
D-662	1N5458		

NOTES

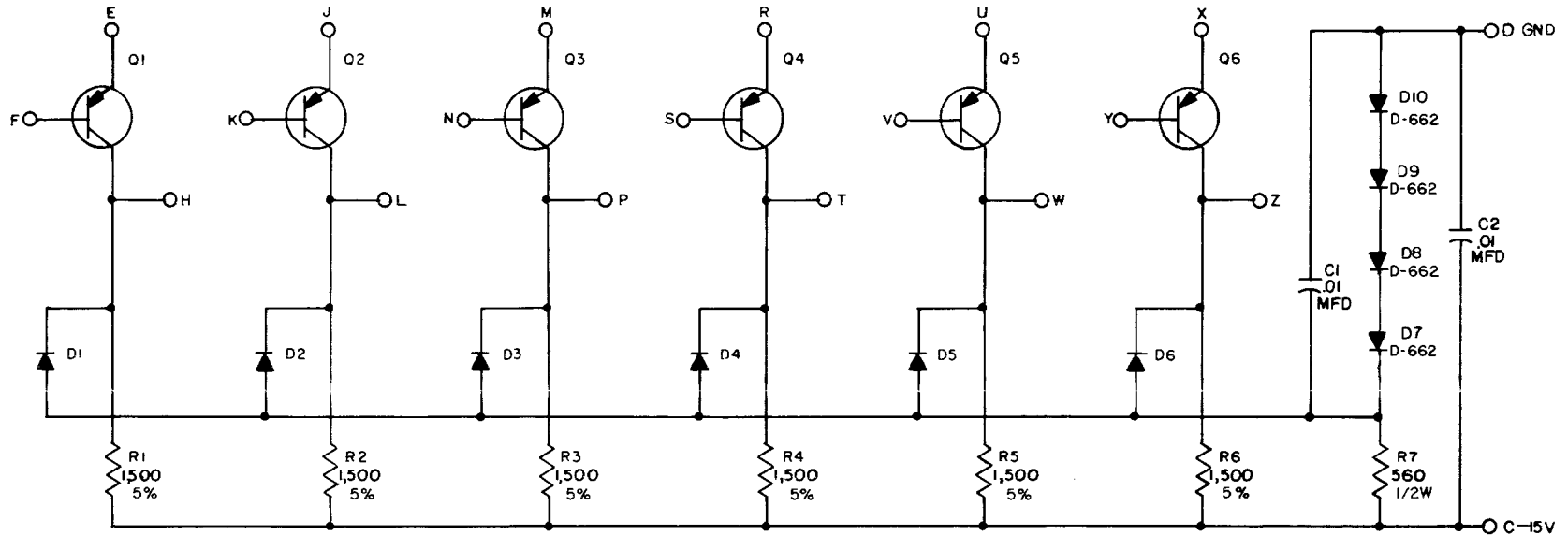
THIS SCHEMATIC IS FURNISHED ONLY FOR TEST AND MAINTENANCE PURPOSES. THE CIRCUITS ARE PROPRIETARY IN NATURE AND SHOULD BE TREATED ACCORDINGLY.

COPYRIGHT 1963 BY DIGITAL EQUIPMENT CORPORATION

A B C D E F G H I J K L M N O P Q R S T U V W X Y Z																									
56													RS-B-1103										9		
INVERTER 1103																									

DIGITAL EQUIPMENT CORPORATION • MAYNARD, MASSACHUSETTS

RS-1103A-3



UNLESS OTHERWISE INDICATED:
 RESISTORS ARE 1/4 W, 10%
 CAPACITORS ARE MMFD
 DIODES ARE D-001
 TRANSISTORS ARE MA90

TRANSISTOR & DIODE CONVERSION CHART			
DEC	EIA	DEC	EIA
D-001	1N276		
D-662	1N645		
MA90	2N2451		

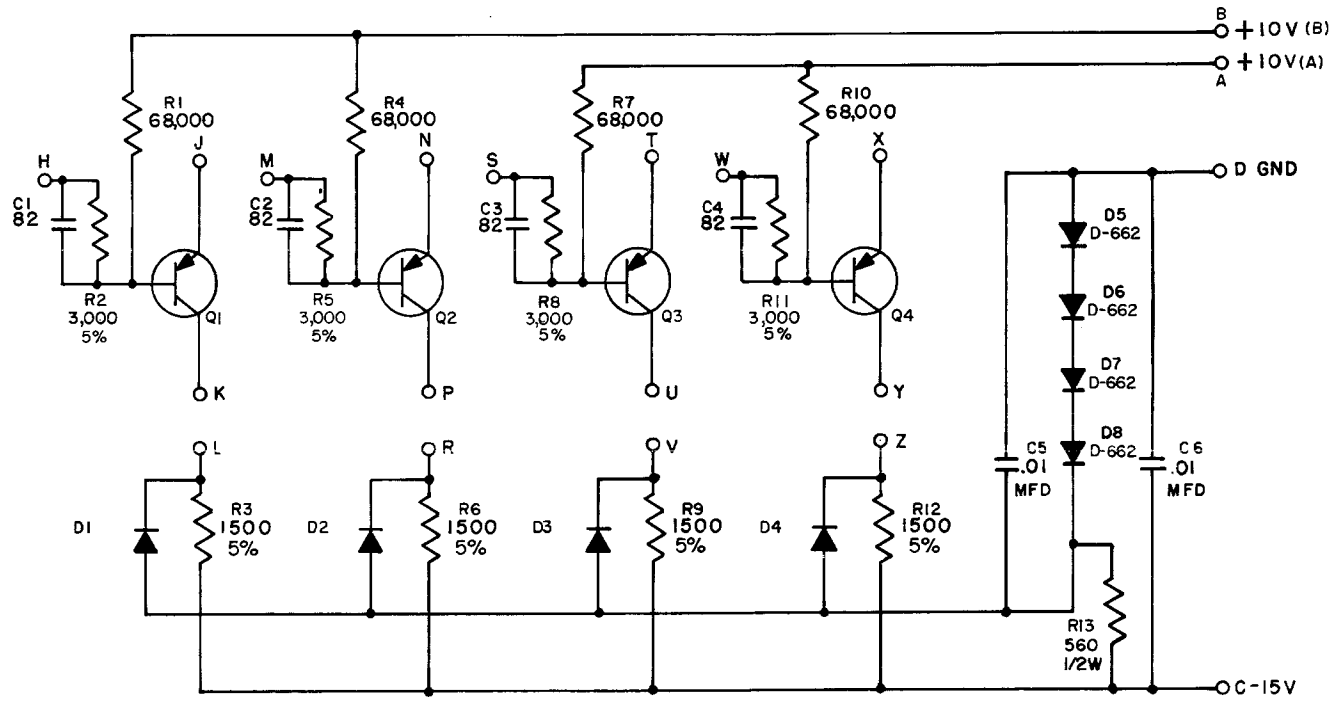
NOTES

THIS SCHEMATIC IS FURNISHED ONLY FOR TEST AND MAINTENANCE PURPOSES. THE CIRCUITS ARE PROPRIETARY IN NATURE AND SHOULD BE TREATED ACCORDINGLY.

COPYRIGHT 1963 BY DIGITAL EQUIPMENT CORPORATION

A	B	C	D	E	F	G	H	I	J	K	L	M	N	O	P	Q	R	S	T	U	V	W	X	Y	Z
E,F												RS-1103A												3	
INVERTER 1103A																									

RS-1104-9



UNLESS OTHERWISE INDICATED:
 RESISTORS ARE 1/4 W; 10%
 CAPACITORS ARE MMFD.
 TRANSISTORS ARE MA90
 DIODES ARE D-001

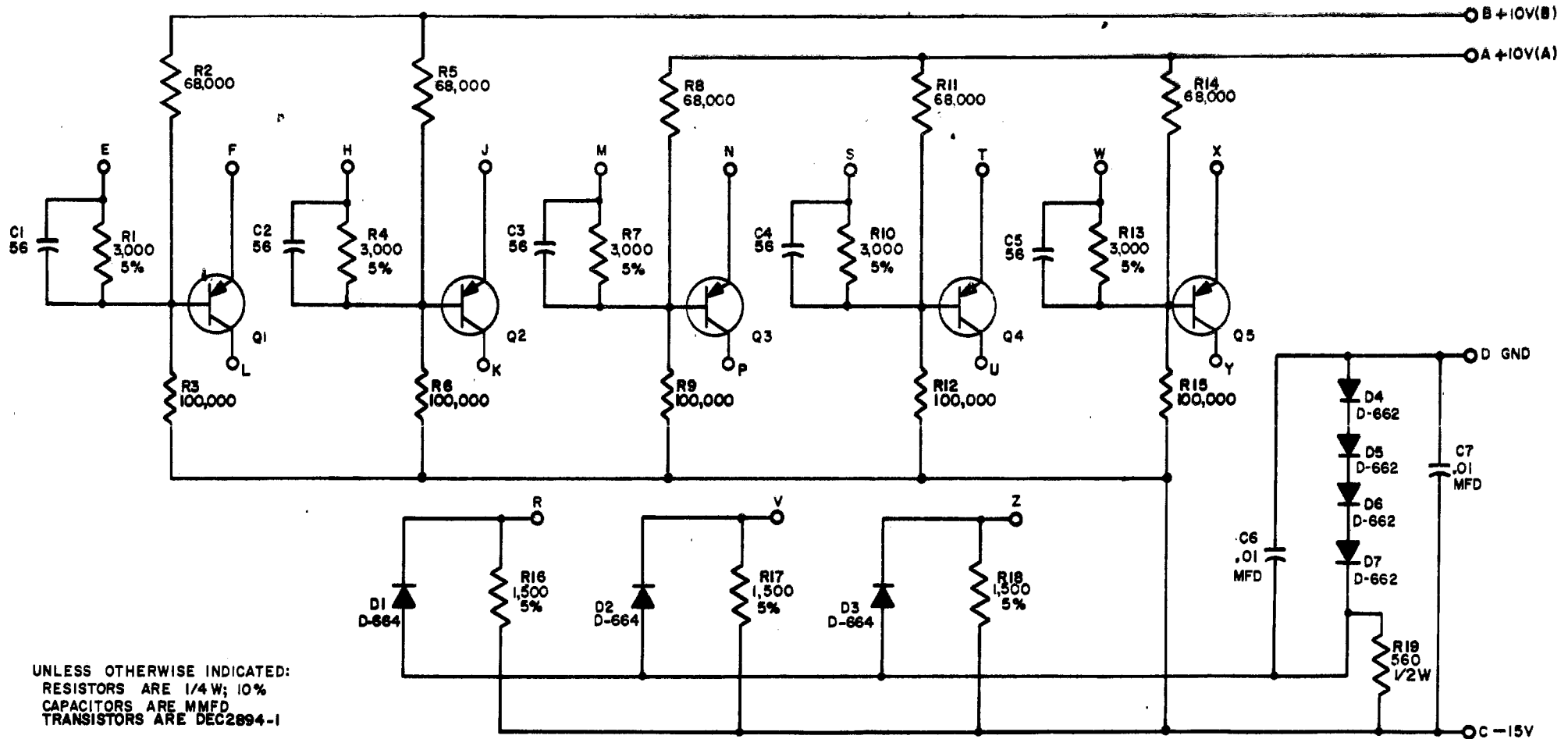
TRANSISTOR & DIODE CONVERSION CHART			
DEC	EIA	DEC	EIA
MA90	2N2451		
D-001	1N276		
D-662	1N645		

NOTES

THIS SCHEMATIC IS FURNISHED ONLY FOR TEST AND MAINTENANCE PURPOSES. THE CIRCUITS ARE PROPRIETARY IN NATURE AND SHOULD BE TREATED ACCORDINGLY.

COPYRIGHT 1963 BY DIGITAL EQUIPMENT CORPORATION

< B U D E L E I T X J Z A R S T D Y X Y N		
B, D, E, F	RS-1104	9
INVERTER . 1104		



UNLESS OTHERWISE INDICATED:
 RESISTORS ARE 1/4W; 10%
 CAPACITORS ARE MMFD
 TRANSISTORS ARE DEC2894-1

TRANSISTOR & DIODE CONVERSION CHART			
DEC	EIA	DEC	EIA
DEC2894-1	DEC2894-1		
D-664	IN3000		
D-662	IN303		

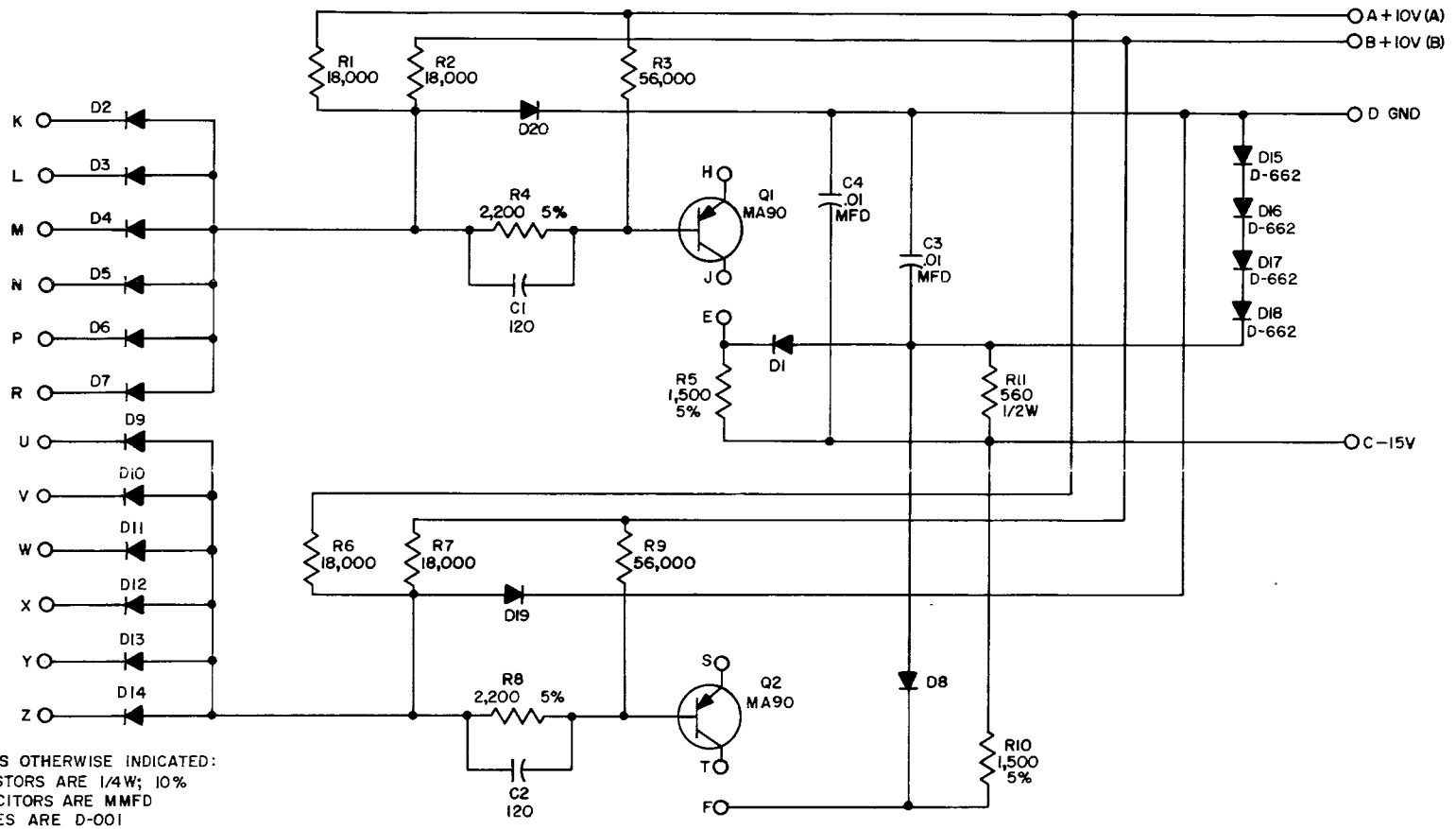
NOTES

THIS SCHEMATIC IS FURNISHED ONLY FOR TEST AND MAINTENANCE PURPOSES. THE CIRCUITS ARE PROPRIETARY IN NATURE AND SHOULD BE TREATED ACCORDINGLY.

COPYRIGHT 1963 BY DIGITAL EQUIPMENT CORPORATION

H RS-B-1105 8		
INVERTER 1105		

RS-1110-10



UNLESS OTHERWISE INDICATED:
 RESISTORS ARE 1/4W; 10%
 CAPACITORS ARE MMFD
 DIODES ARE D-001

TRANSISTOR & DIODE CONVERSION CHART			
DEC	EIA	DEC	EIA
MA90	2N2451		
D-001	1N276		
D-662	1N645		

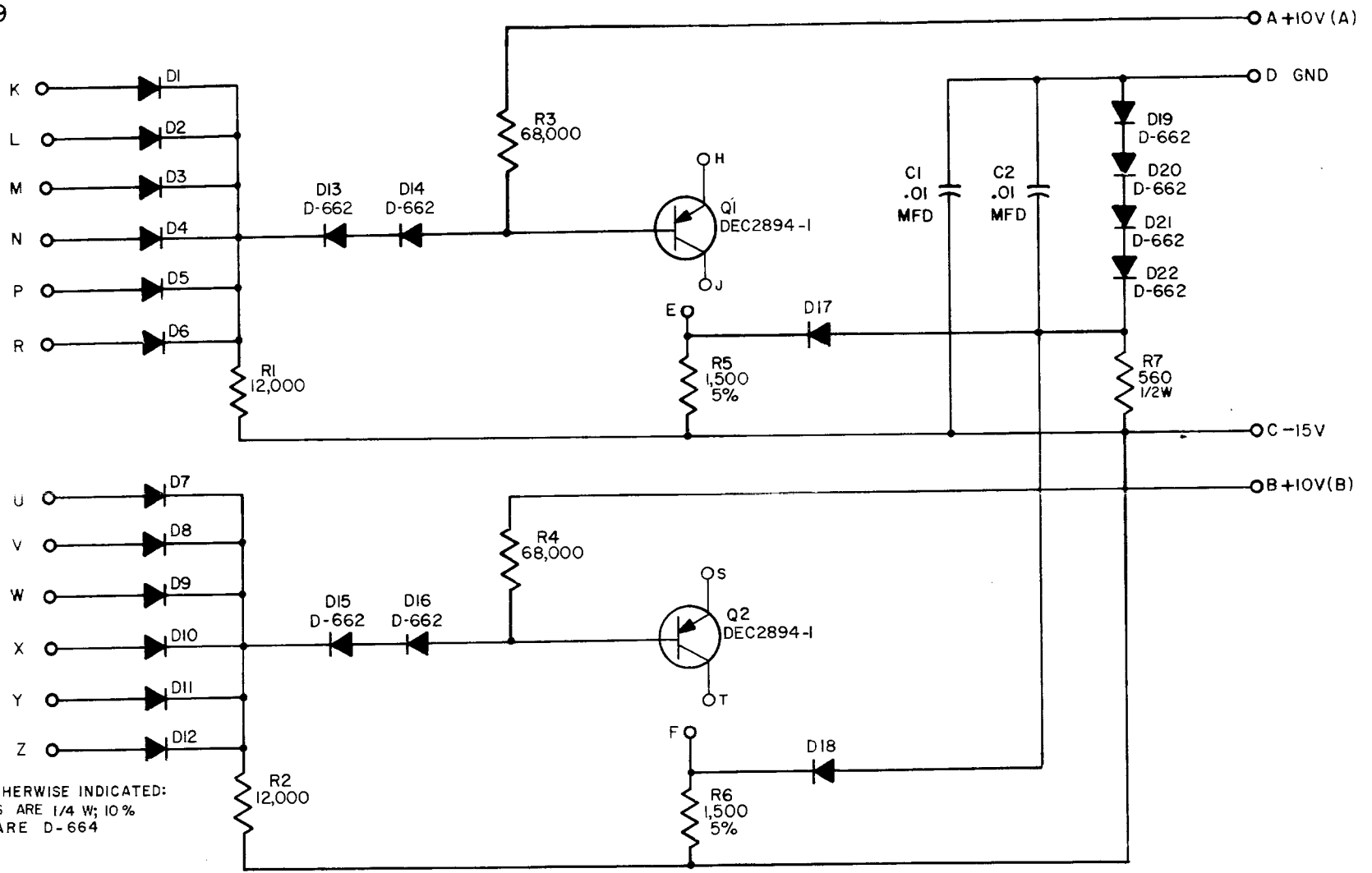
NOTES

THIS SCHEMATIC IS FURNISHED ONLY FOR TEST AND MAINTENANCE PURPOSES. THE CIRCUITS ARE PROPRIETARY IN NATURE AND SHOULD BE TREATED ACCORDINGLY.

COPYRIGHT 1963 BY DIGITAL EQUIPMENT CORPORATION

◀ B U D W L Z 7 X J S Z R E S T D > 3 X N											
C, D, E, F, G				RS-1110				10			
DIODE 1110											

RS-B-1111-9



UNLESS OTHERWISE INDICATED:
RESISTORS ARE 1/4 W; 10 %
DIODES ARE D-664

TRANSISTOR & DIODE CONVERSION CHART			
DEC	EIA	DEC	EIA
DEC2894-1	DEC2894		
D-664	IN3606		
D-662	IN645		

NOTES

THIS SCHEMATIC IS FURNISHED ONLY FOR TEST AND MAINTENANCE PURPOSES. THE CIRCUITS ARE PROPRIETARY IN NATURE AND SHOULD BE TREATED ACCORDINGLY.

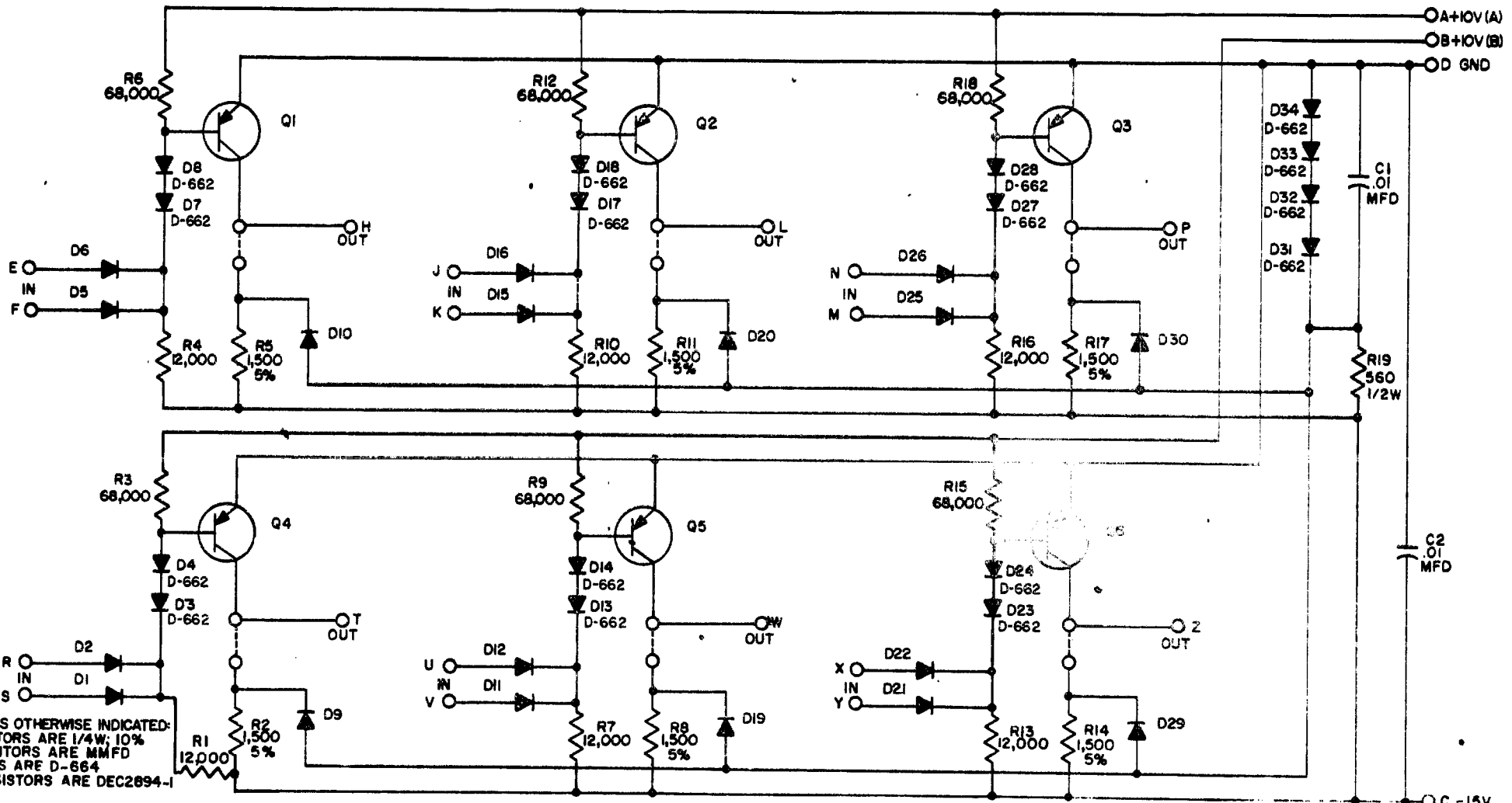
COPYRIGHT 1963 BY DIGITAL EQUIPMENT CORPORATION

ABCDEFGHIJKLMNOPQRSTUVWXYZ

H RS-B-1111 9

CODE UNIT 1111

RS-B-1113-6



UNLESS OTHERWISE INDICATED:
RESISTORS ARE 1/4W, 10%
CAPACITORS ARE MMFD
DIODES ARE D-664
TRANSISTORS ARE DEC2694-1

USE THE ETCHED BOARD OF THE 6113

TRANSISTOR & DIODE CONVERSION CHART			
DEC	EIA	DEC	EIA
DEC2694-1	DEC2694-1		
D-664	IN504		
R-998	IN948		

NOTES

THIS SCHEMATIC IS FURNISHED ONLY FOR TEST AND MAINTENANCE PURPOSES. THE CIRCUITS ARE PROPRIETARY IN NATURE AND SHOULD BE TREATED ACCORDINGLY.

COPYRIGHT 1963 BY DIGITAL EQUIPMENT CORPORATION

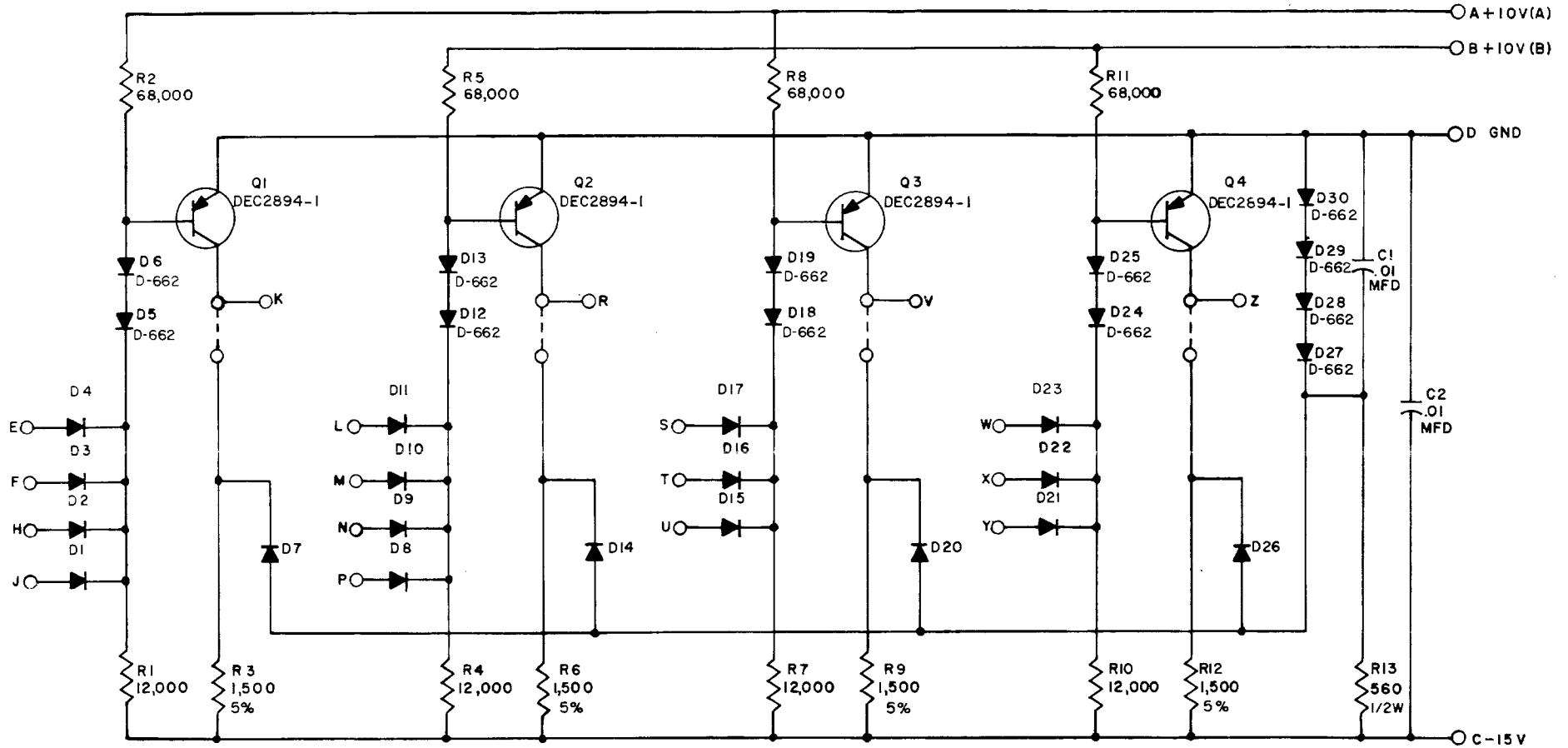
A B C D E F G H I J K L M N O P Q R S T U V W X Y Z

RS-B-1113 6

DIODE 1113

DIGITAL EQUIPMENT CORPORATION . MAYNARD, MASSACHUSETTS

RS-B-III5-7



UNITED OTHERWISE INDICATED:
RESISTORS ARE 1/4W; 10 %
DIODES ARE D-664

TRANSISTOR & DIODE CONVERSION CHART			
DEC	EIA	DEC	EIA
DEC2894-1	DEC2894		
D-664	IN3606		
D-662	IN645		

NOTES

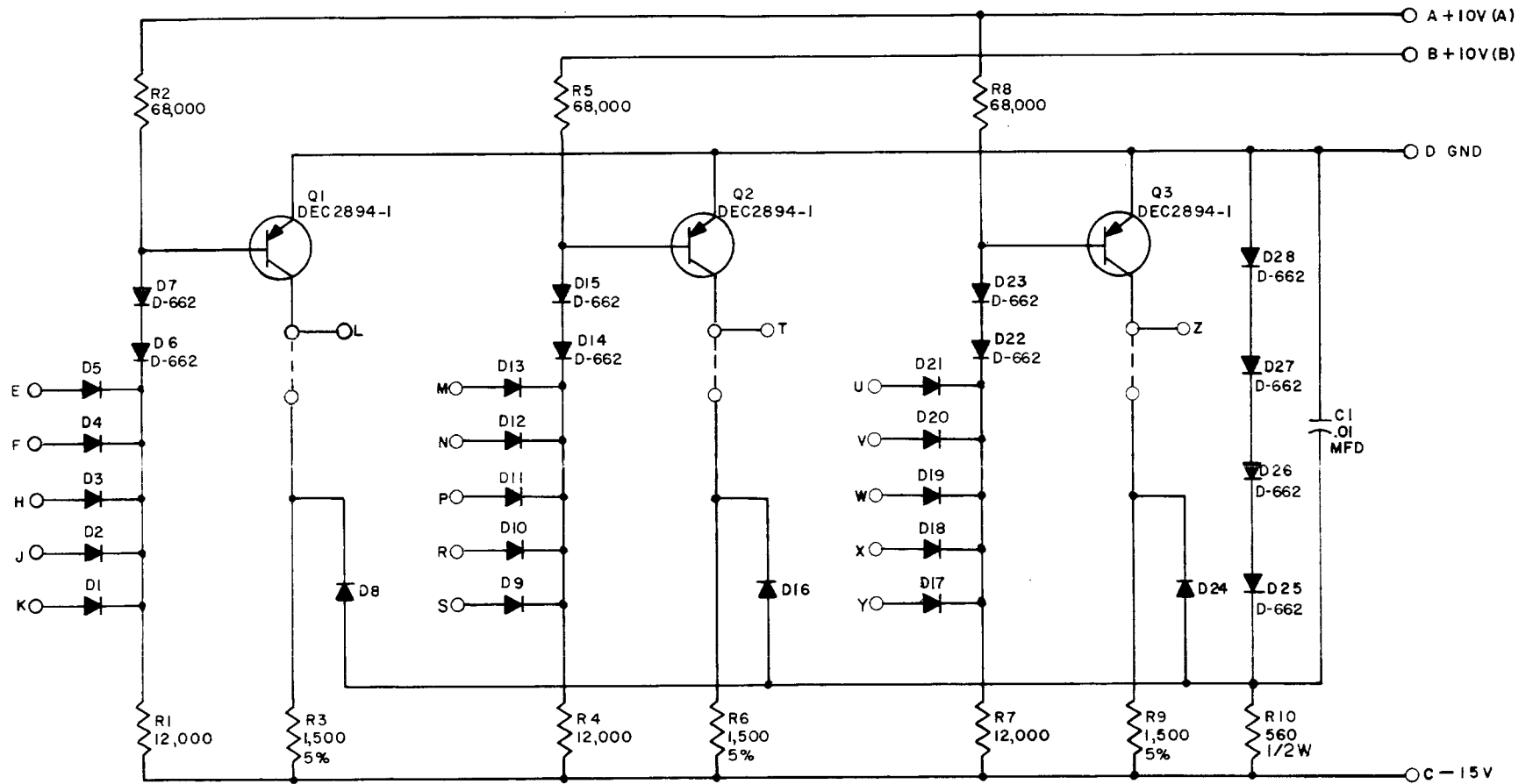
THIS SCHEMATIC IS FURNISHED ONLY FOR TEST AND MAINTENANCE PURPOSES. THE CIRCUITS ARE PROPRIETARY IN NATURE AND SHOULD BE TREATED ACCORDINGLY.

COPYRIGHT 1961 BY DIGITAL EQUIPMENT CORPORATION

< 0 1 2 3 4 5 6 7 8 9 A B C D E F G H I J K L M N O P Q R S T U V W X Y Z [\] ^ _ ` a b c d e f g h i j k l m n o p q r s t u v w x y z >		
D	RS-B-III5	7
DIODE III5		

DIGITAL EQUIPMENT CORPORATION • MAYNARD, MASSACHUSETTS

RS-B-1117-7



UNLESS OTHERWISE INDICATED:
RESISTORS ARE 1/4 W; 10%
DIODES ARE D-664

TRANSISTOR & DIODE CONVERSION CHART			
DEC	EIA	DEC	EIA
DEC2894-1	DEC2894		
D-664	1N3606		
D-662	1N645		

NOTES

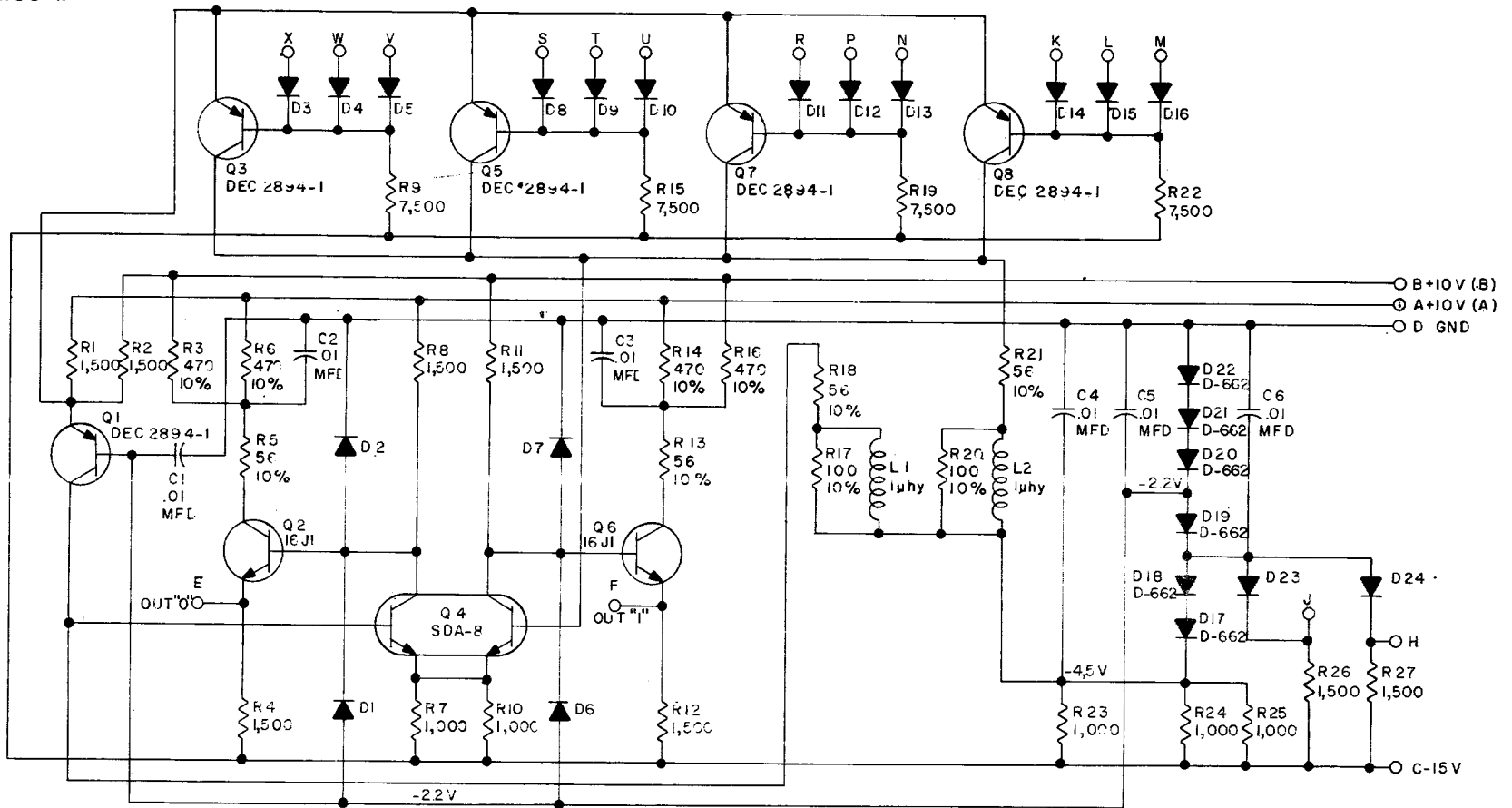
THIS SCHEMATIC IS FURNISHED ONLY FOR TEST AND MAINTENANCE PURPOSES. THE CIRCUITS ARE PROPRIETARY IN NATURE AND SHOULD BE TREATED ACCORDINGLY.

COPYRIGHT 1963 BY DIGITAL EQUIPMENT CORPORATION

A	B	C	D	E	F	G	H	I	J	K	L	M	N	O	P	Q	R	S	T	U	V	W	X	Y	Z
B										RS-B-1117										7					
DIODE 1117																									

DIGITAL EQUIPMENT CORPORATION • MAYNARD, MASSACHUSETTS

RS-B-1130-II



UNLESS OTHERWISE INDICATED:
RESISTORS ARE 1/4 W, 5%
DIODES ARE D-664

TRANSISTOR & DIODE CONVERSION CHART			
DEC	EIA	DEC	EIA
SDA-8	NONE		
16J1	16J1		
D 662	IN 645		
D 664	IN 3606		
DEC 2894-I	DEC 2894		

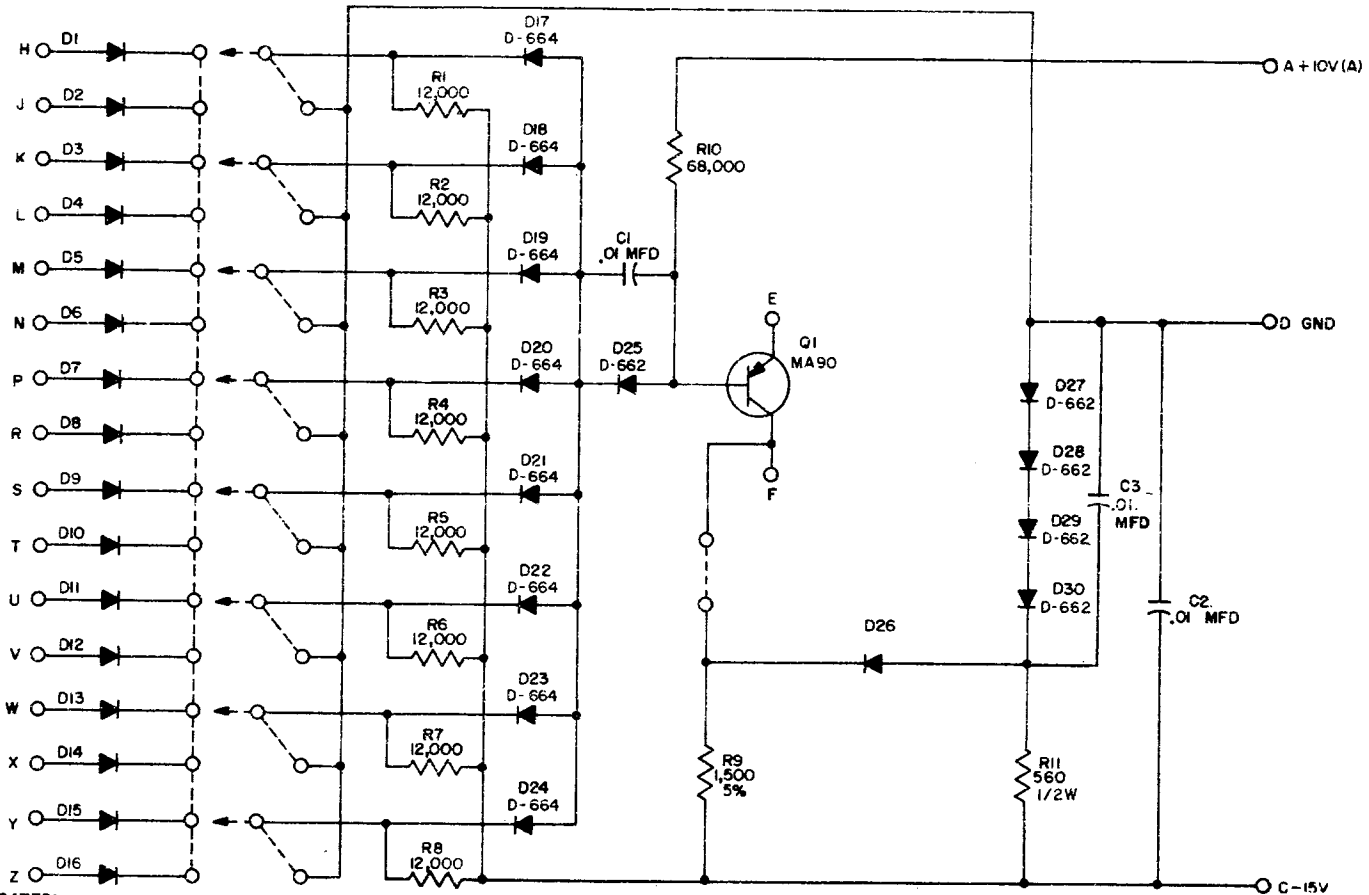
NOTES

THIS SCHEMATIC IS FURNISHED ONLY FOR TEST AND MAINTENANCE PURPOSES. THE CIRCUITS ARE PROPRIETARY IN NATURE AND SHOULD BE TREATED ACCORDINGLY.

COPYRIGHT 1963 BY DIGITAL EQUIPMENT CORPORATION

A B C D E F G H I J K L M N O P Q R S T U V W X Y Z											
E				RS-B-1130				II			
3 BIT PARITY CIRCUIT 1130											

RS-1141-3



UNLESS OTHERWISE INDICATED:
RESISTORS ARE 1/4 W; 10%
DIODES ARE D-001

TRANSISTOR & DIODE CONVERSION CHART			
DEC	EIA	DEC	EIA
D-001	1N276		
D-662	1N646		
D-664	1N914		
MA90	2N2451		

NOTES

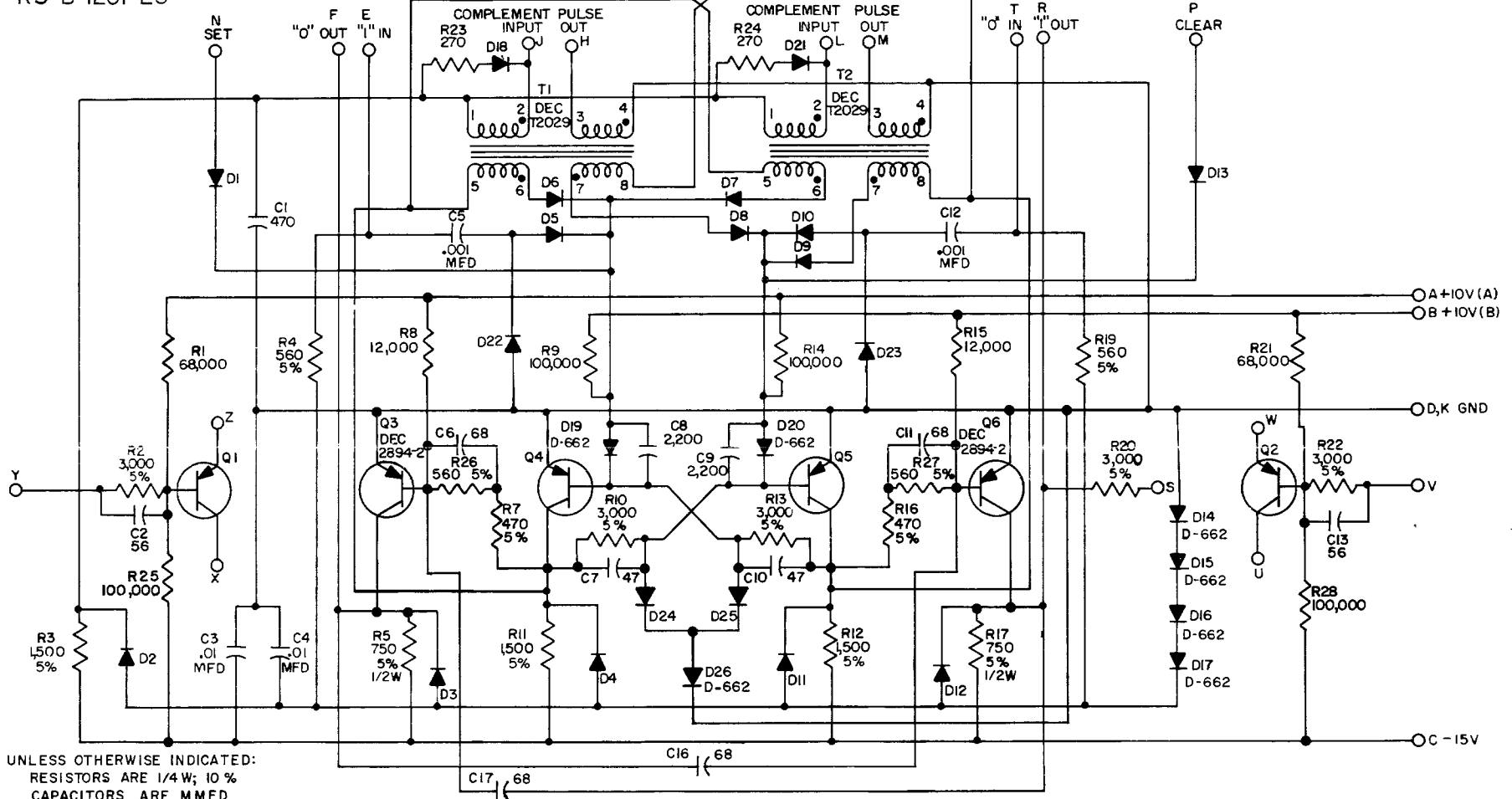
THIS SCHEMATIC IS FURNISHED ONLY FOR TEST AND MAINTENANCE PURPOSES. THE CIRCUITS ARE PROPRIETARY IN NATURE AND SHOULD BE TREATED ACCORDINGLY.

COPYRIGHT 1963 BY DIGITAL EQUIPMENT CORPORATION

C R5-1141 3		
DIODE UNIT 1141		

DIGITAL EQUIPMENT CORPORATION • MAYNARD, MASSACHUSETTS

RS-B-1201-28



UNLESS OTHERWISE INDICATED:
 RESISTORS ARE 1/4 W; 10%
 CAPACITORS ARE MMFD
 DIODES ARE D-664
 TRANSISTORS ARE DEC 2894-1

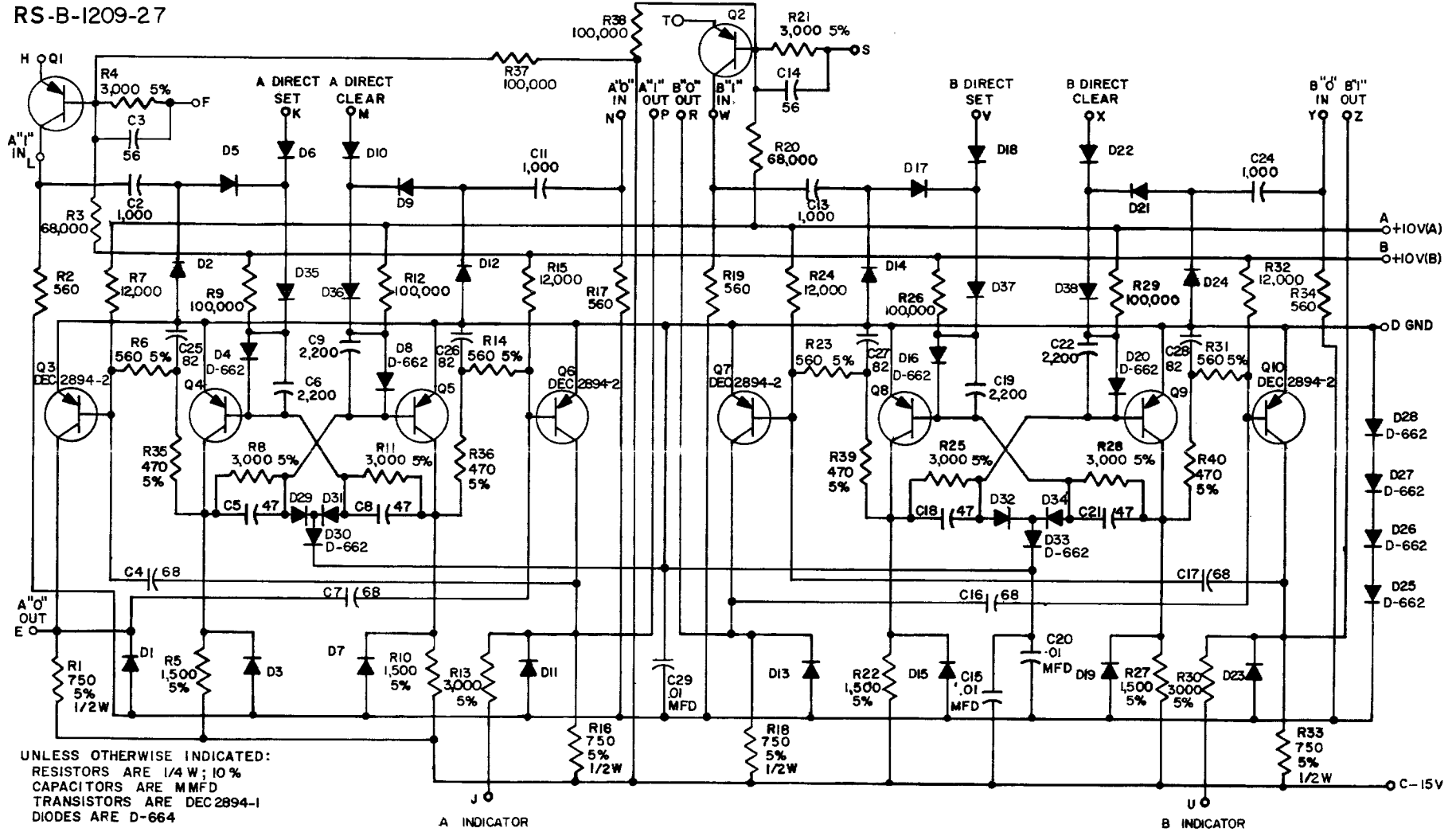
TRANSISTOR & DIODE CONVERSION CHART			
DEC	EIA	DEC	EIA
DEC 2894-1	DEC 2894		
DEC 2894-2	DEC 2894		
D-662	1N646		
D-664	1N3606		

NOTES

THIS SCHEMATIC IS FURNISHED ONLY FOR TEST AND MAINTENANCE PURPOSES THE CIRCUITS ARE PROPRIETARY IN NATURE AND SHOULD BE TREATED ACCORDINGLY

S R5 B-1201 28		
FLIP-FLOP 1201		

RS-B-1209-27



UNLESS OTHERWISE INDICATED:
 RESISTORS ARE 1/4 W; 10%
 CAPACITORS ARE MMFD
 TRANSISTORS ARE DEC 2894-1
 DIODES ARE D-664

A INDICATOR

B INDICATOR

TRANSISTOR & DIODE CONVERSION CHART			
DEC	EIA	DEC	EIA
DEC 2894-1	DEC 2894		
DEC 2894-2	DEC 2894		
D-662	1N848		
D-664	1N3406		

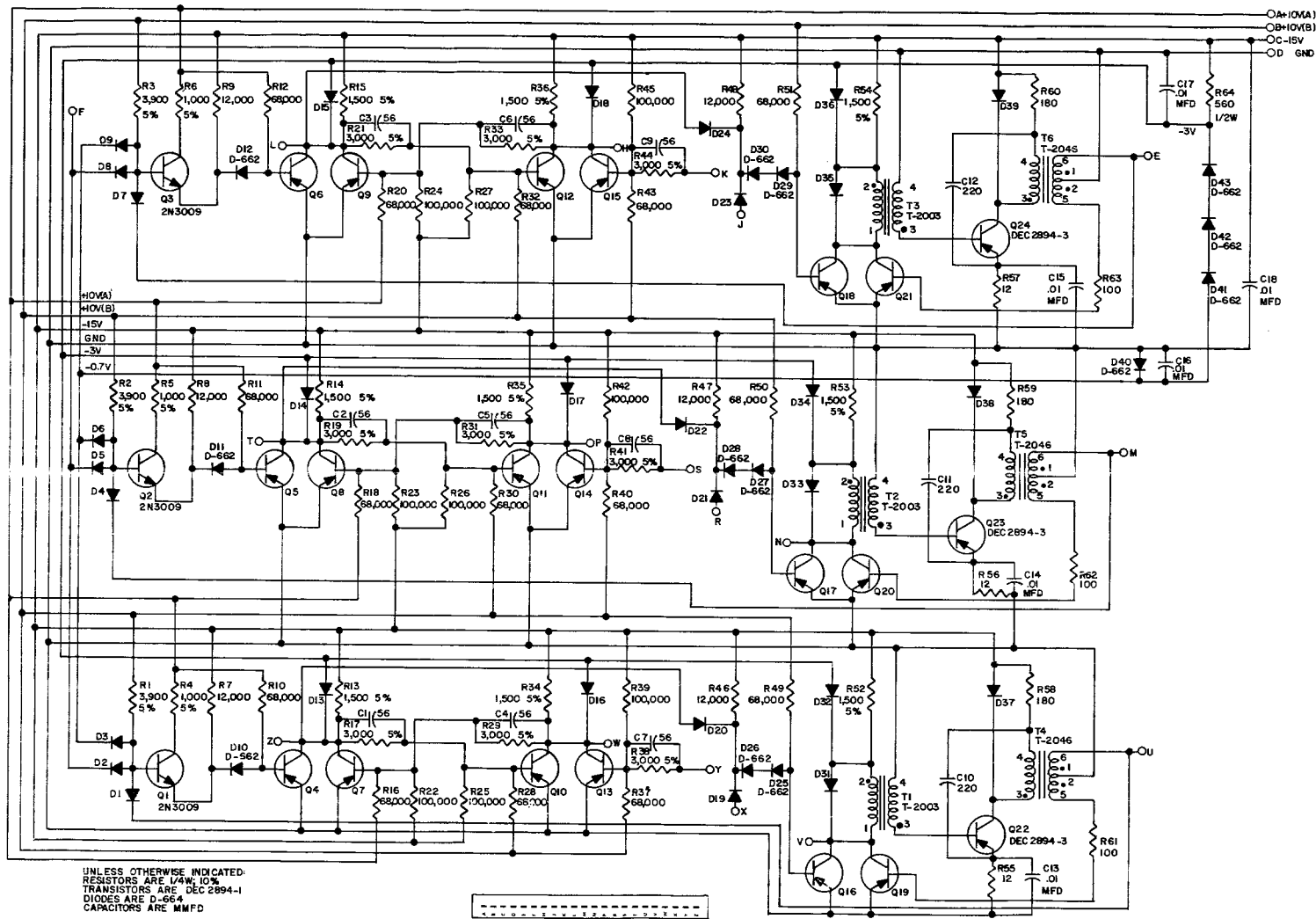
NOTES

THIS SCHEMATIC IS FURNISHED ONLY FOR TEST AND MAINTENANCE PURPOSES. THE CIRCUITS ARE PROPRIETARY IN NATURE AND SHOULD BE TREATED ACCORDINGLY.

COPYRIGHT 1960 BY DIGITAL EQUIPMENT CORPORATION

< A B C D E F G H I J K L M N O P Q R S T U V W X Y Z >											
L	RS-B-1209	27									
DUAL FLIP-FLOP 1209											

RS-C-1260-4



UNLESS OTHERWISE INDICATED:
RESISTORS ARE 1/4W, 10%
TRANSISTORS ARE DEC 2894-1
DIODES ARE D-664
CAPACITORS ARE MMFD

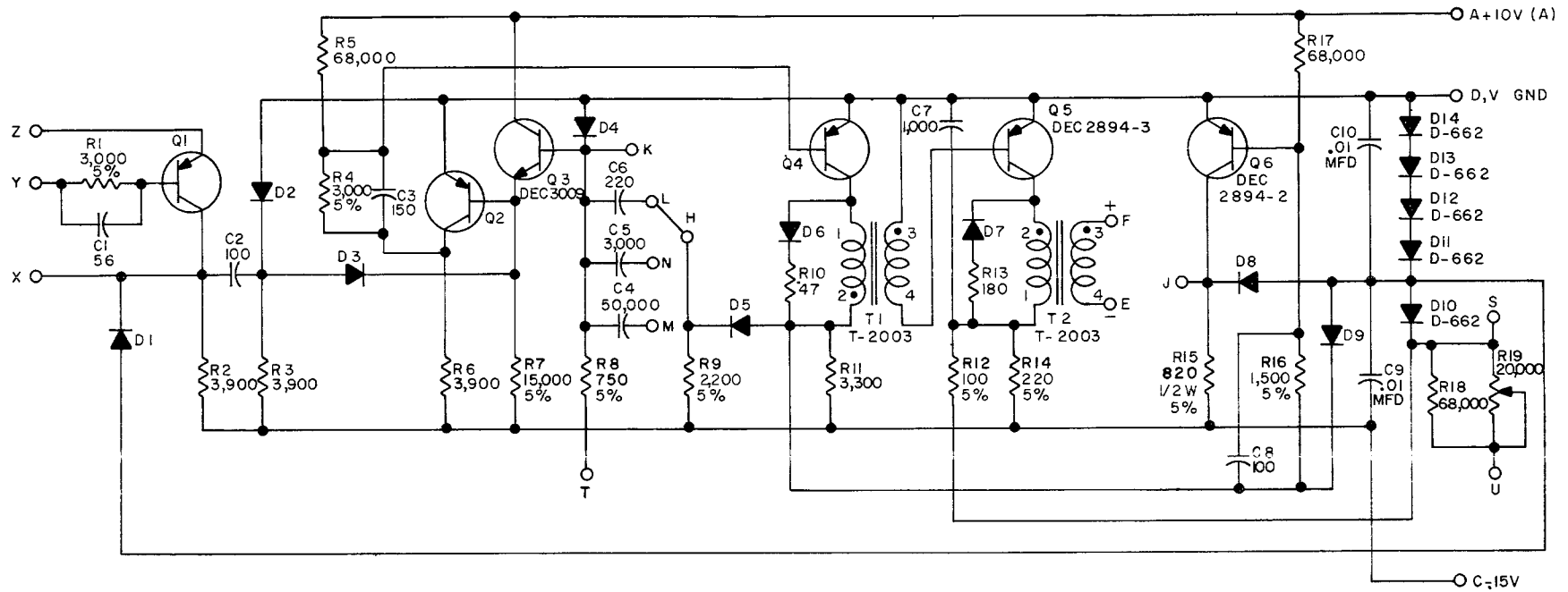
TRANSISTOR & DIODE CONVERSION CHART			
DEC	EIA	DEC	EIA
2N3009	2N3009		
DEC 2894-1	DEC 2894		
DEC 2894-3	DEC 2894		
D-662	1N648		
D-664	1N5606		

NOTES

THIS SCHEMATIC IS FURNISHED ONLY FOR TEST AND MAINTENANCE PURPOSES. THE CIRCUITS ARE PROPRIETARY IN NATURE AND SHOULD BE TREATED ACCORDINGLY.
COPYRIGHT 1963 BY DIGITAL EQUIPMENT CORPORATION

H	RS-C-1260	4
SUBROUTINE CARD 126C		

RS-B-1304-21



UNLESS OTHERWISE INDICATED:
 TRANSISTORS ARE DEC 2894-1
 CAPACITORS ARE MMFD
 RESISTORS ARE 1/4 W, 10%
 DIODES ARE D-664
 R19 IS A BOURNS POT

TRANSISTOR & DIODE CONVERSION CHART			
DEC	EIA	DEC	EIA
DEC2894-1	DEC2894	DEC3009	2N3009
DEC2894-2	DEC2894		
DEC2894-3	DEC2894		
D-662	1N646		
D-664	1N3606		

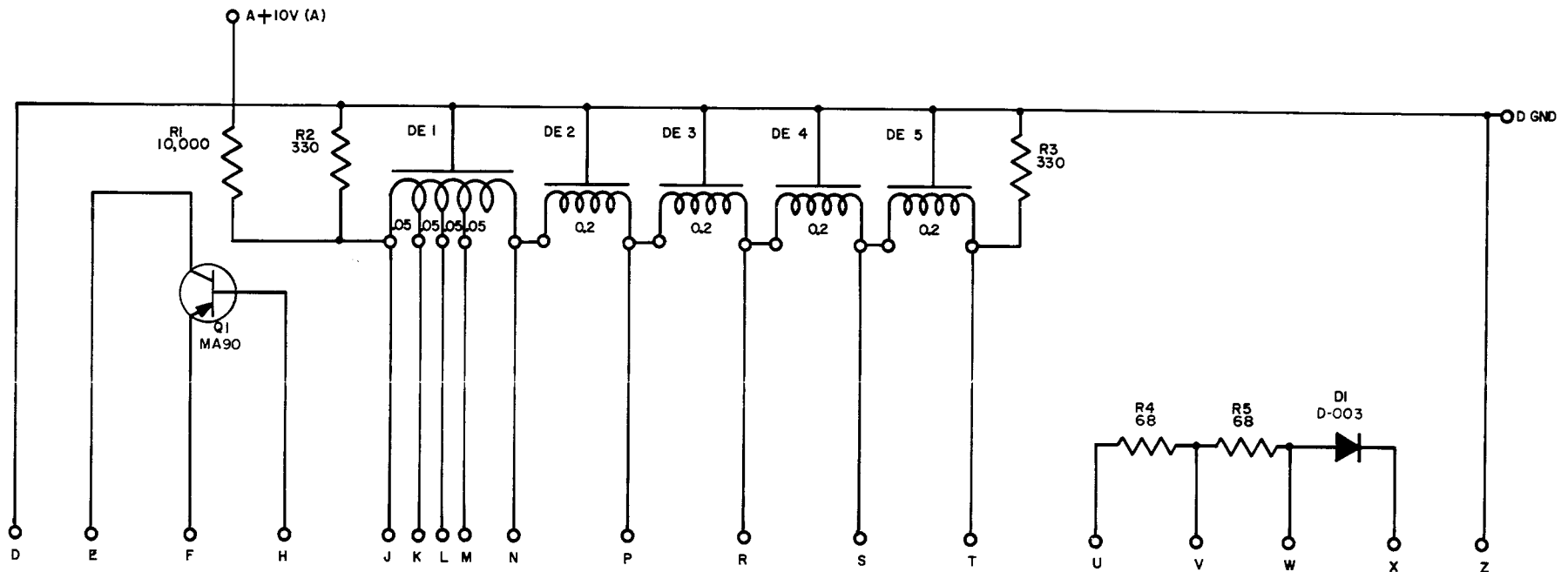
NOTES

THIS SCHEMATIC IS FURNISHED ONLY FOR TEST AND MAINTENANCE PURPOSES. THE CIRCUITS ARE PROPRIETARY IN NATURE AND SHOULD BE TREATED ACCORDINGLY.

COPYRIGHT 1963 BY DIGITAL EQUIPMENT CORPORATION

A B C D E F G H I J K L M N O P Q R S T U V W X Y Z		
H	RS-B-1304	21
DELAY 1304		

RS-1310-6



UNLESS OTHERWISE INDICATED:
 RESISTORS ARE 1/2W; 10%
 DE1= TECHNITROL 0.2 μ sec DELAY LINE 330 OHMS
 TAPPED AT 0.05 μ sec. INTERVAL
 DE2= DE5 TECHNITROL 0.2 μ sec. DELAY LINE

TRANSISTOR & DIODE CONVERSION CHART			
DEC	EIA	DEC	EIA
MA90	2N2451		
D-003	1N994		

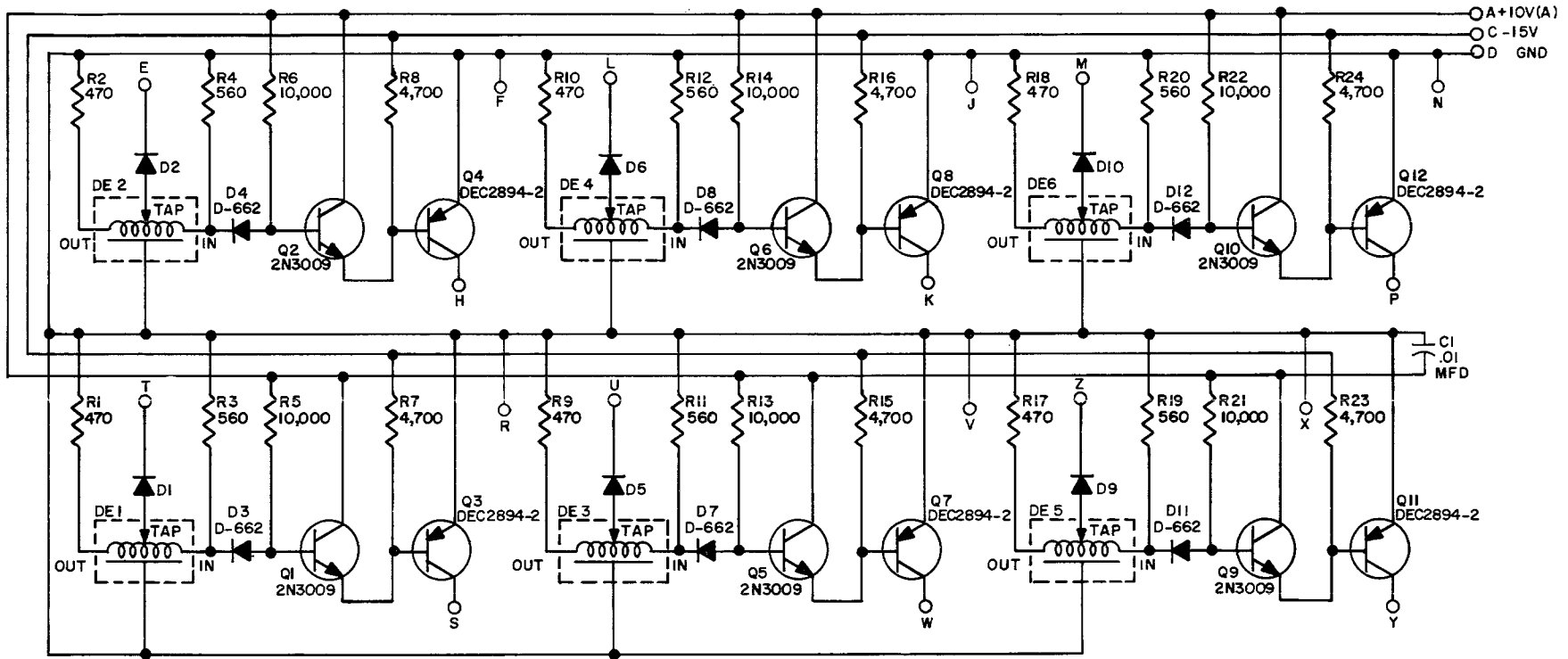
NOTES

THIS SCHEMATIC IS FURNISHED ONLY FOR TEST AND MAINTENANCE PURPOSES. THE CIRCUITS ARE PROPRIETARY IN NATURE AND SHOULD BE TREATED ACCORDINGLY.

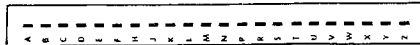
COPYRIGHT 1963 BY DIGITAL EQUIPMENT CORPORATION

< A B C D E F G H I J K L M N O P Q R S T U V W X Y Z >		
A,B,C,D,E,F	RS-1310	6
DELAY LINE 1310		

RS-B-1317-2



UNLESS OTHERWISE INDICATED:
 RESISTORS ARE 1/4W; 10%
 DIODES ARE D-664
 DE 1 - DE 6 ARE ESC TYPE (806-70)
 73-63 ADJUSTABLE DELAY LINES



TRANSISTOR & DIODE CONVERSION CHART			
DEC	EIA	DEC	EIA
DEC2894-2	DEC2894		
2N3009	2N3009		
D-662	IN645		
D-664	IN3606		

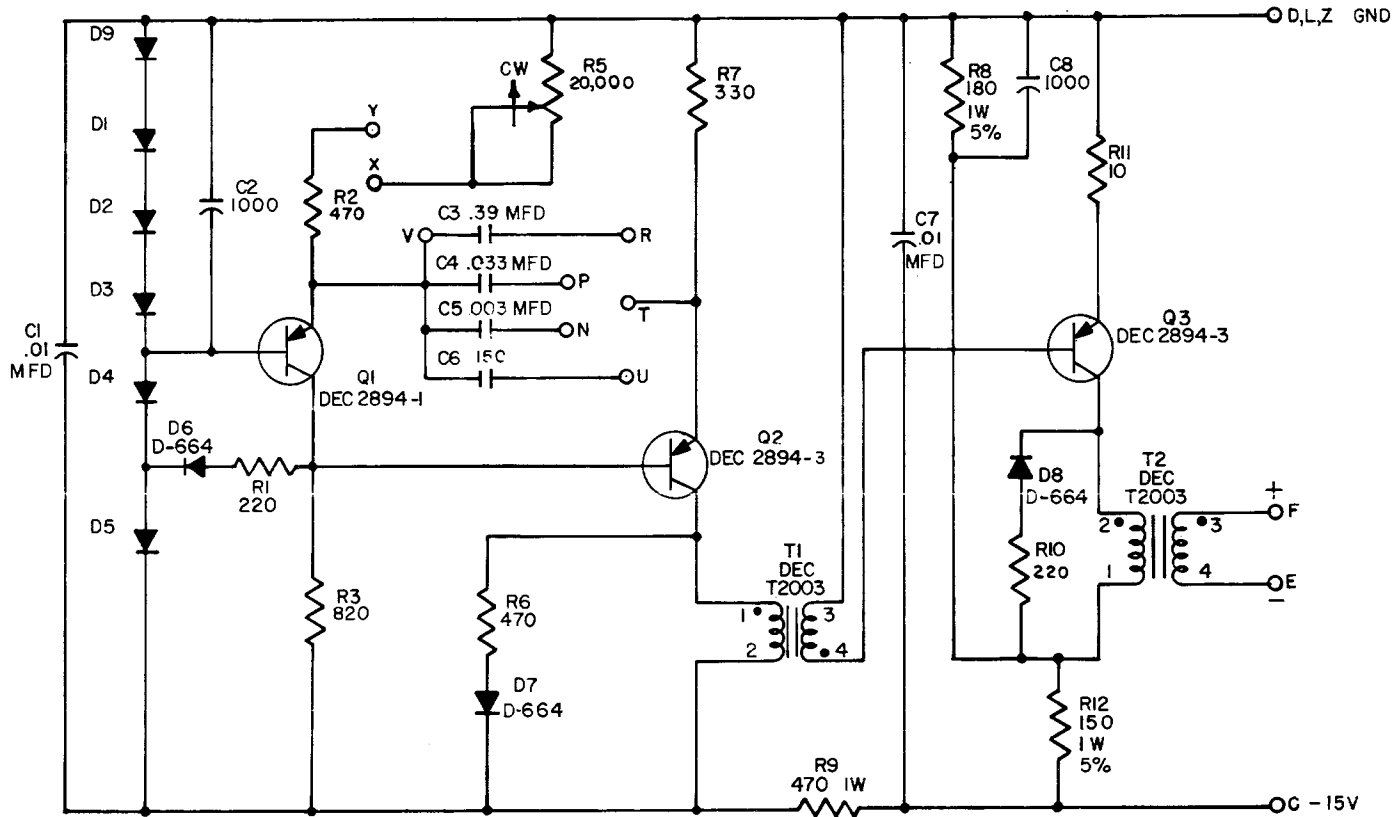
NOTES

THIS SCHEMATIC IS FURNISHED ONLY FOR TEST AND MAINTENANCE PURPOSES. THE CIRCUITS ARE PROPRIETARY IN NATURE AND SHOULD BE TREATED ACCORDINGLY.

COPYRIGHT 1964 BY DIGITAL EQUIPMENT CORPORATION

A	B	C	D	E	F	G	H	I	J	K	L	M	N	O	P	Q	R	S	T	U	V	W	X	Y	Z
B												RS-B-1317						2							
SIX DELAY LINES 1317																									

RS-B-1404-14



UNLESS OTHERWISE INDICATED:
 RESISTORS ARE 1/4W; 10%
 CAPACITORS ARE MMFD
 DIODES ARE D-662

TRANSISTOR & DIODE CONVERSION CHART			
DEC	EIA	DEC	EIA
DEC 2894-1	DEC 2894		
DEC 2894-3	DEC 2894		
D-662	1N914		
D-994	1N914		

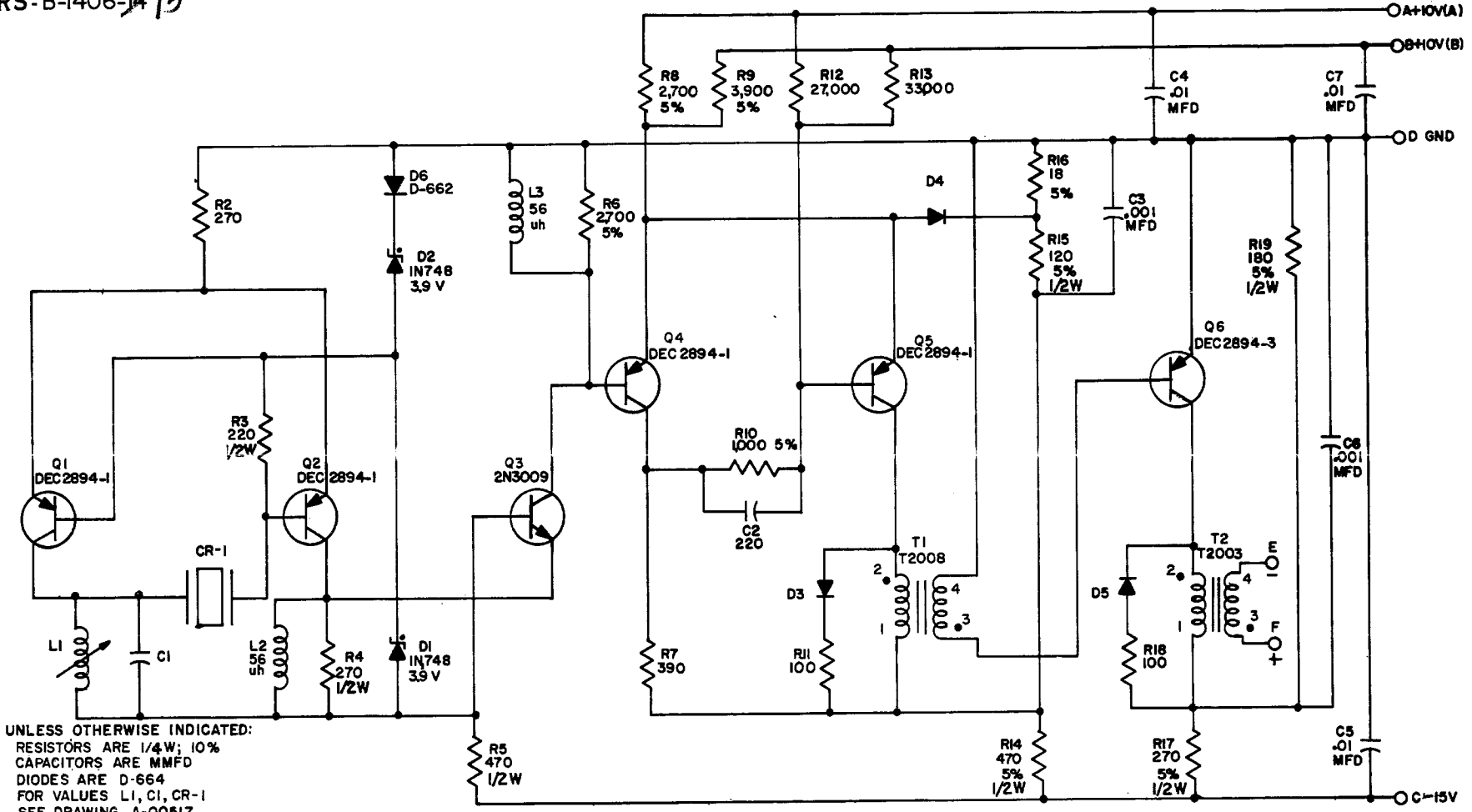
NOTES

THIS SCHEMATIC IS FURNISHED ONLY FOR TEST AND MAINTENANCE PURPOSES. THE CIRCUITS ARE PROPRIETARY IN NATURE AND SHOULD BE TREATED ACCORDINGLY.

COPYRIGHT 1963 BY DIGITAL EQUIPMENT CORPORATION

A B C D E F G H I J K L M N O P Q R S T U V W X Y Z		
H	RS-B-1404	14
CLOCK 1404		

RS-B-1406-1415



UNLESS OTHERWISE INDICATED:
 RESISTORS ARE 1/4W; 10%
 CAPACITORS ARE MMFD
 DIODES ARE D-664
 FOR VALUES L1, C1, CR-1
 SEE DRAWING A-00517

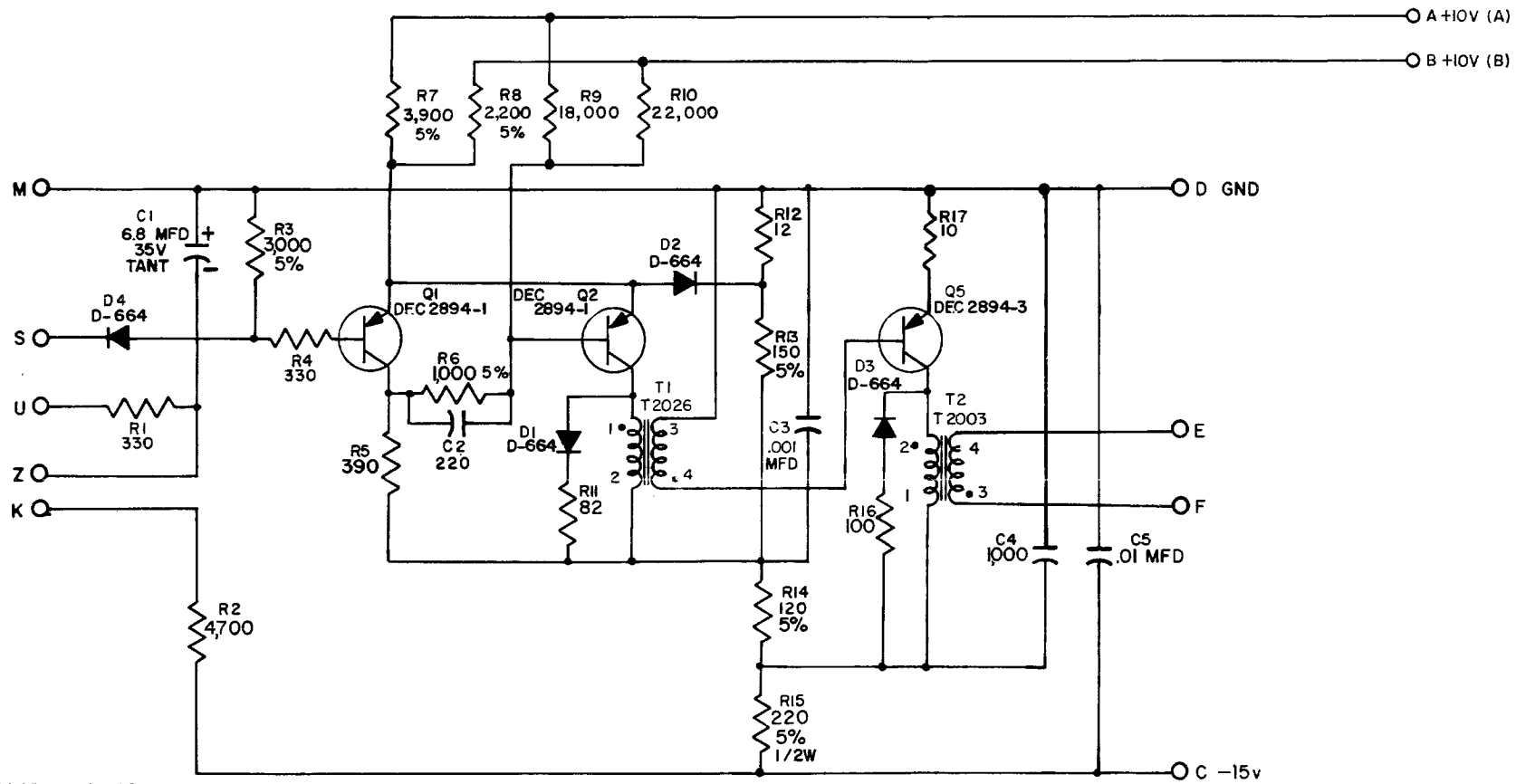
TRANSISTOR & DIODE CONVERSION CHART			
DEC	EIA	DEC	EIA
DEC 2894-1	DEC 2894	D-664	IN914
DEC 2894-3	DEC 2894		
2N3009	2N3009		
IN748 3.9V	IN748 3.9V		
D-662	IN645		

NOTES

THIS SCHEMATIC IS FURNISHED ONLY FOR TEST AND MAINTENANCE PURPOSES. THE CIRCUITS ARE PROPRIETARY IN NATURE AND SHOULD BE TREATED ACCORDINGLY.
 COPYRIGHT 1963 BY DIGITAL EQUIPMENT CORPORATION

D	RS-B-1406	15
CRYSTAL CLOCK 1406		

RS-B-1410-22



UNLESS OTHERWISE INDICATED:
RESISTORS ARE 1/4W; 10%
CAPACITORS ARE MMFD

TRANSISTOR & DIODE CONVERSION CHART			
DEC	EIA	DEC	EIA
DEC 2894-1	DEC 2894		
DEC 2894-3	DEC 2894		
D-664	1N3606		

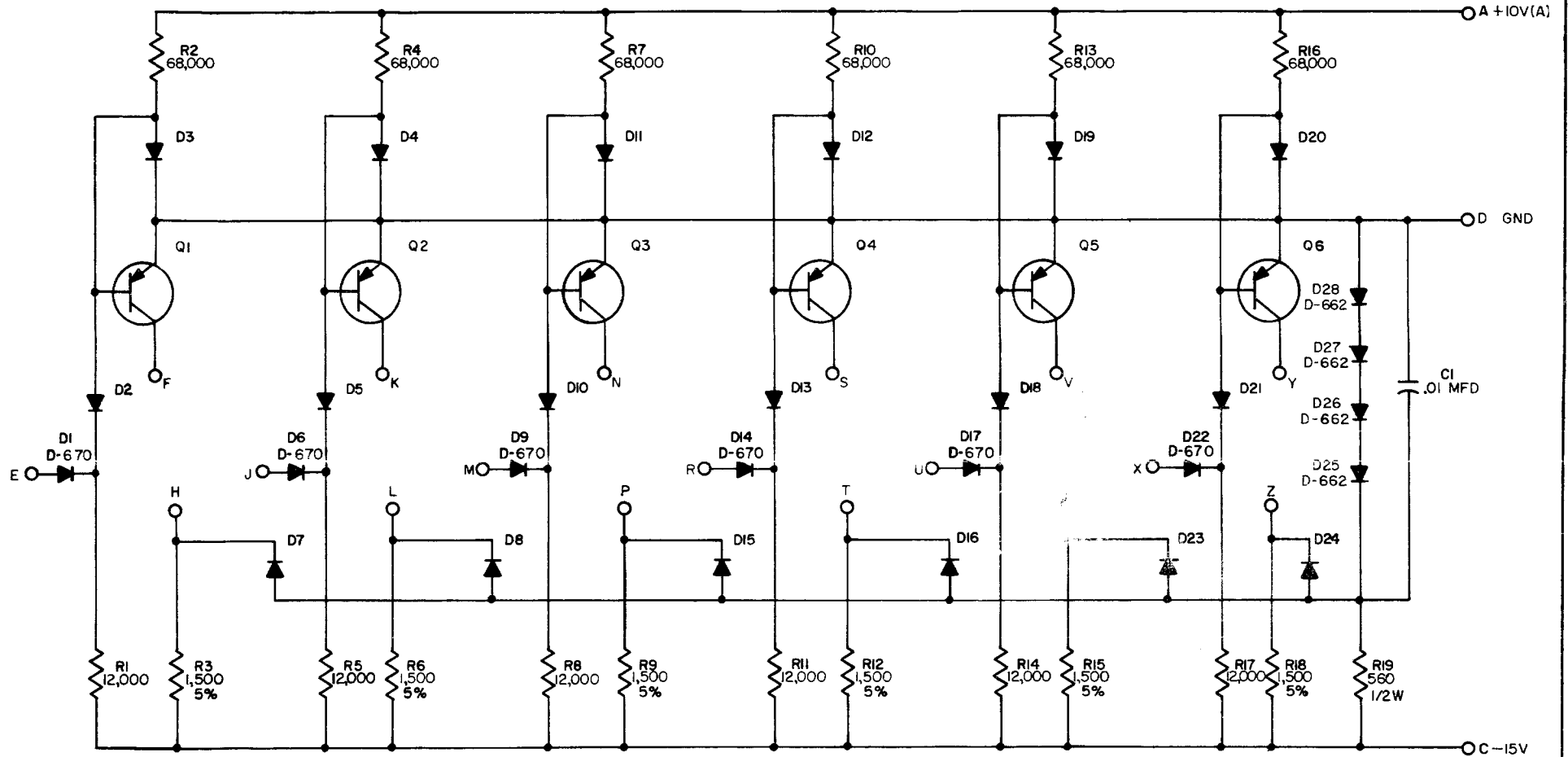
NOTES

THIS SCHEMATIC IS FURNISHED ONLY FOR TEST AND MAINTENANCE PURPOSES. THE CIRCUITS ARE PROPRIETARY IN NATURE AND SHOULD BE TREATED ACCORDINGLY.
COPYRIGHT 1963 BY DIGITAL EQUIPMENT CORPORATION

A B C D E F G H I J K L M N O P Q R S T U V W X Y Z																									
K										RS-B-1410										22					
PULSE GENERATOR 1410																									

DIGITAL EQUIPMENT CORPORATION • MAYNARD, MASSACHUSETTS

RS-1502-8



UNLESS OTHERWISE INDICATED:
 RESISTORS ARE 1/4 W; 10%,
 DIODES ARE D-664
 TRANSISTORS ARE DEC2894-1

TRANSISTOR & DIODE CONVERSION CHART		NOTES	
DEC	EIA	DEC	EIA
DEC 2894-1	NONE		
D-664	1N3606		
D-670	1N3653		
D-662	1N845		

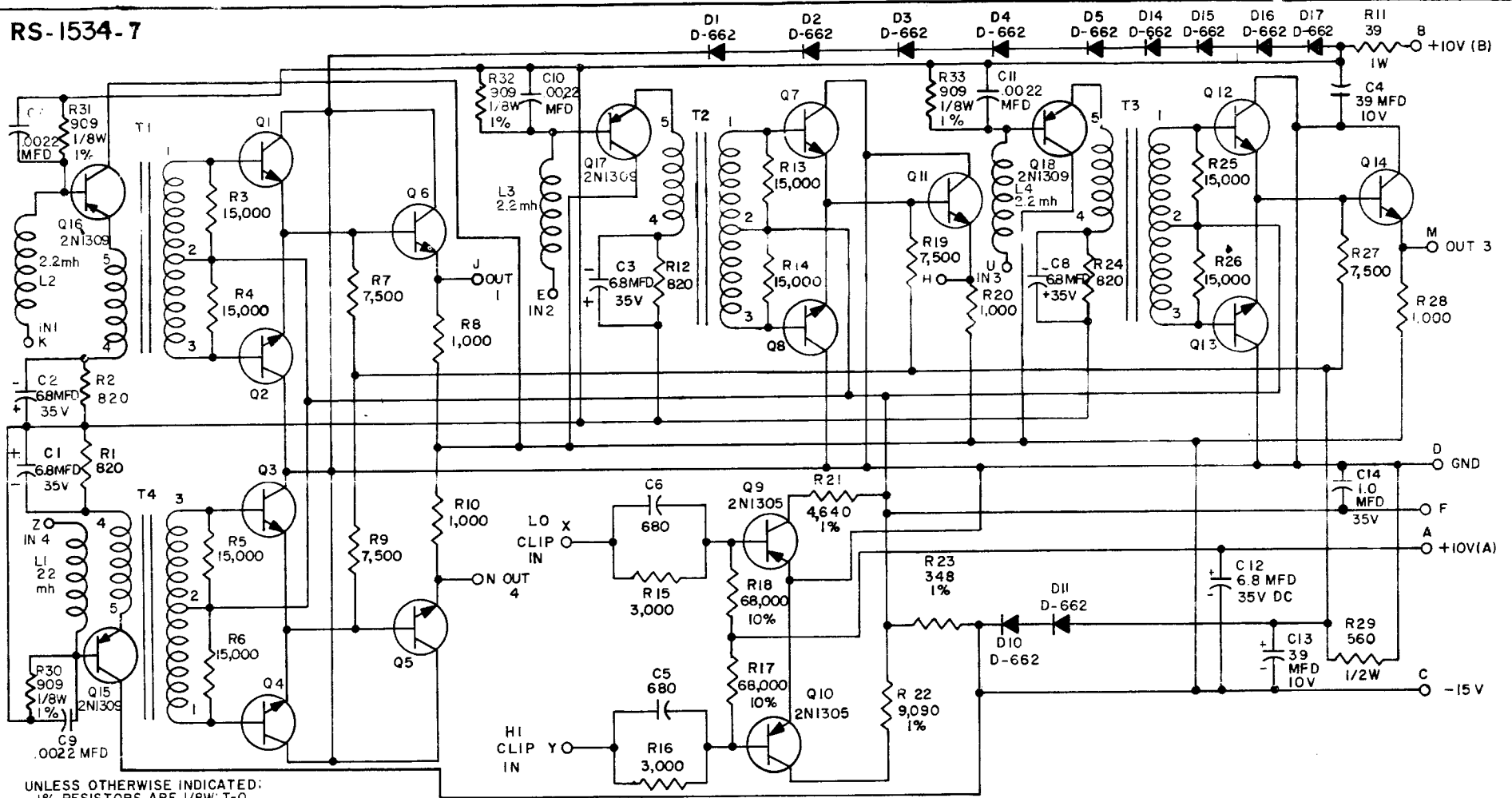
NOTES

THIS SCHEMATIC IS FURNISHED ONLY FOR TEST AND MAINTENANCE PURPOSES. THE CIRCUITS ARE PROPRIETARY IN NATURE AND SHOULD BE TREATED ACCORDINGLY.

COPYRIGHT 1963 BY DIGITAL EQUIPMENT CORPORATION

< B U O U L T X J E Z A R O - D > X > N		
D	RS-1502	8
LEVEL STANDARDIZER 1502		

RS-1534-7



UNLESS OTHERWISE INDICATED:
 1% RESISTORS ARE 1/8W; T-0
 RESISTORS ARE 1/4 W; 5%
 CAPACITORS ARE MMFD
 T1, T2, T3 & T4 ARE TECHNITROL X5HW-5
 TRANSISTORS ARE 2N1308

TRANSISTOR & DIODE CONVERSION CHART			
DEC	EIA	DEC	EIA
2N1308	2N1308		
2N1308	2N1308		
D-662	1N648		
2N1309	2N1309		

NOTES

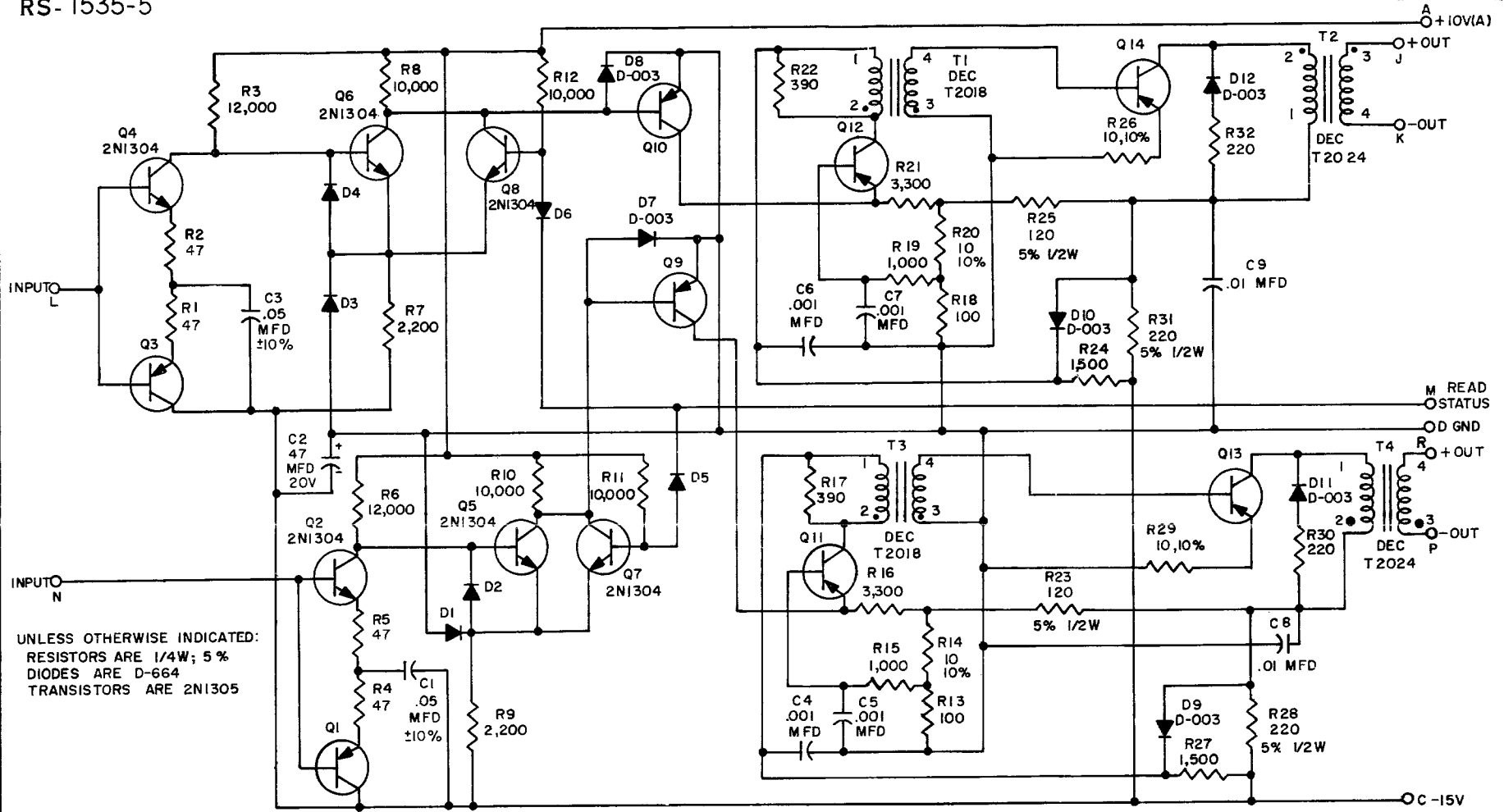
THIS SCHEMATIC IS FURNISHED ONLY FOR TEST AND MAINTENANCE PURPOSES. THE CIRCUITS ARE PROPRIETARY IN NATURE AND SHOULD BE TREATED ACCORDINGLY.

COPYRIGHT 1983 BY DIGITAL EQUIPMENT CORPORATION



K RS-1534 7

VARIABLE SLICING RECTIFIER 1534



UNLESS OTHERWISE INDICATED:
RESISTORS ARE 1/4W; 5%
DIODES ARE D-664
TRANSISTORS ARE 2N1305

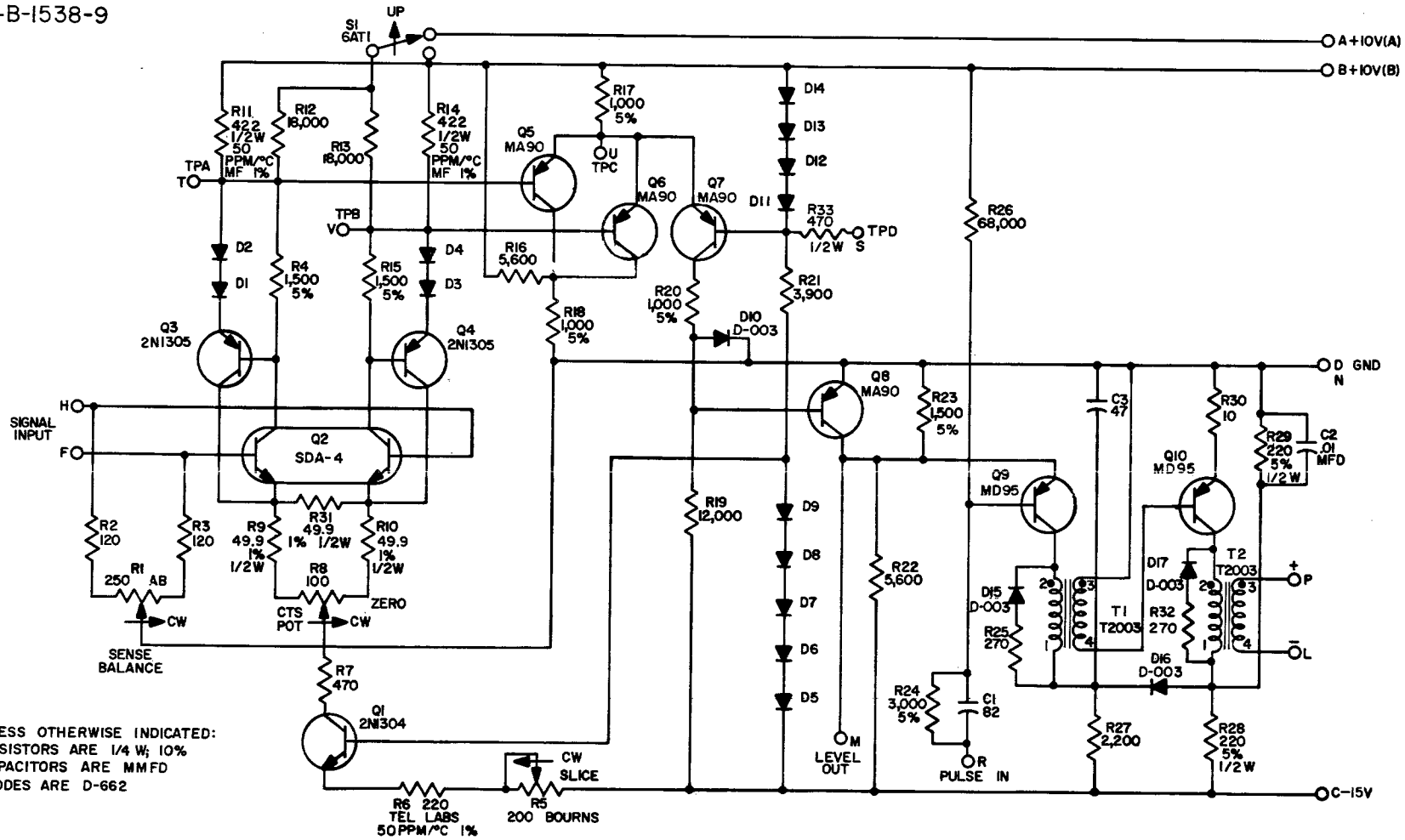
TRANSISTOR & DIODE CONVERSION CHART			
DEC	EIA	DEC	EIA
2N1304	2N1304		
2N1305	2N1305		
D-003	1N994		
D-664	1N3606		

NOTES

THIS SCHEMATIC IS FURNISHED ONLY FOR TEST AND MAINTENANCE PURPOSES. THE CIRCUITS ARE PROPRIETARY IN NATURE AND SHOULD BE TREATED ACCORDINGLY.
COPYRIGHT 1963 BY DIGITAL EQUIPMENT CORPORATION

D RS-1535 5		
PEAK DETECTOR 1535		

RS-B-1538-9



TRANSISTOR & DIODE CONVERSION CHART			
DEC	EIA	DEC	EIA
MA90	2N2451	D-003	1N994
MD95	2N2499	D-662	1N645
2N1305	2N1305		
SDA-4	2N2060		
2N1304	2N1304		

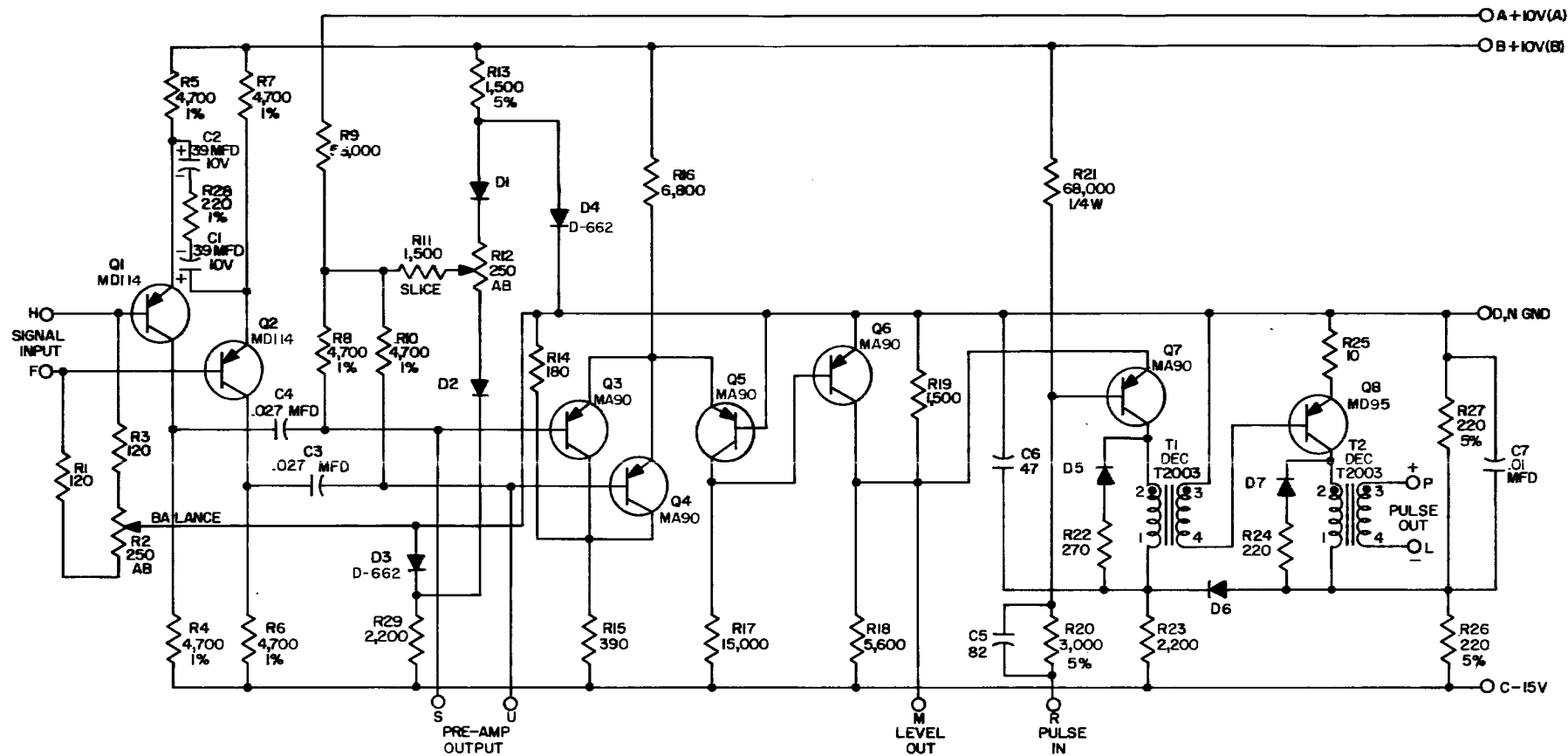
NOTES

THIS SCHEMATIC IS FURNISHED ONLY FOR TEST AND MAINTENANCE PURPOSES. THE CIRCUITS ARE PROPRIETARY IN NATURE AND SHOULD BE TREATED ACCORDINGLY.

COPYRIGHT 1963 BY DIGITAL EQUIPMENT CORPORATION

A B C D E F G H I J K L M N O P Q R S T U V W X Y Z									
F		RS-B-1538			9				
DC SENSE AMPLIFIER 1538									

RS-1540-7



UNLESS OTHERWISE INDICATED:
 RESISTORS ARE 1/2W; 10%
 CAPACITORS ARE MMFD
 DIODES ARE D-001

TRANSISTOR & DIODE CONVERSION CHART			
DEC	EIA	DEC	EIA
MA90	2N2451		
MD95	2N2489		
MDM4	2N1499A		
D-001	1N276		
D-662	1N645		

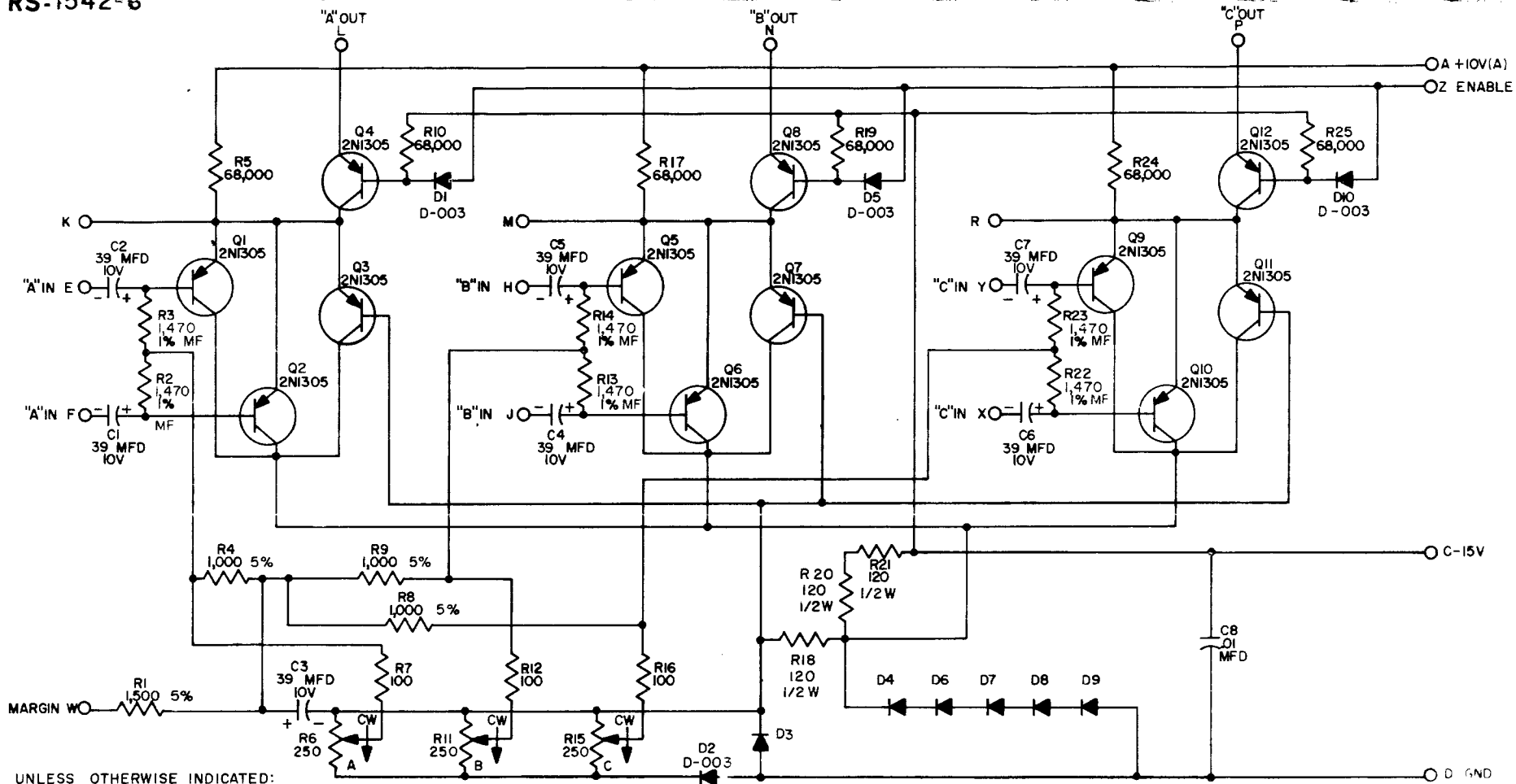
NOTES

THIS SCHEMATIC IS FURNISHED ONLY FOR TEST AND MAINTENANCE PURPOSES. THE CIRCUITS ARE PROPRIETARY IN NATURE AND SHOULD BE TREATED ACCORDINGLY.

COPYRIGHT 1963 BY DIGITAL EQUIPMENT CORPORATION

4 5 6 7 8 9 10 11 12 13 14 15 16 17 18 19 20 21 22 23 24 25 26 27 28 29 30 31 32		
D	RS-1540	7
SENSE AMP WITH PA. 1540		

RS-1542 b



UNLESS OTHERWISE INDICATED:
 RESISTORS ARE 1/4 W; 10%
 CAPACITORS ARE MMFD
 DIODES ARE D-662
 MF RESISTORS ARE 1/8 W, T-0

TRANSISTOR & DIODE CONVERSION CHART			
DEC	EIA	DEC	EIA
2N1306	2N1306		
D-662	1N648		
D-003	1N994		

NOTES

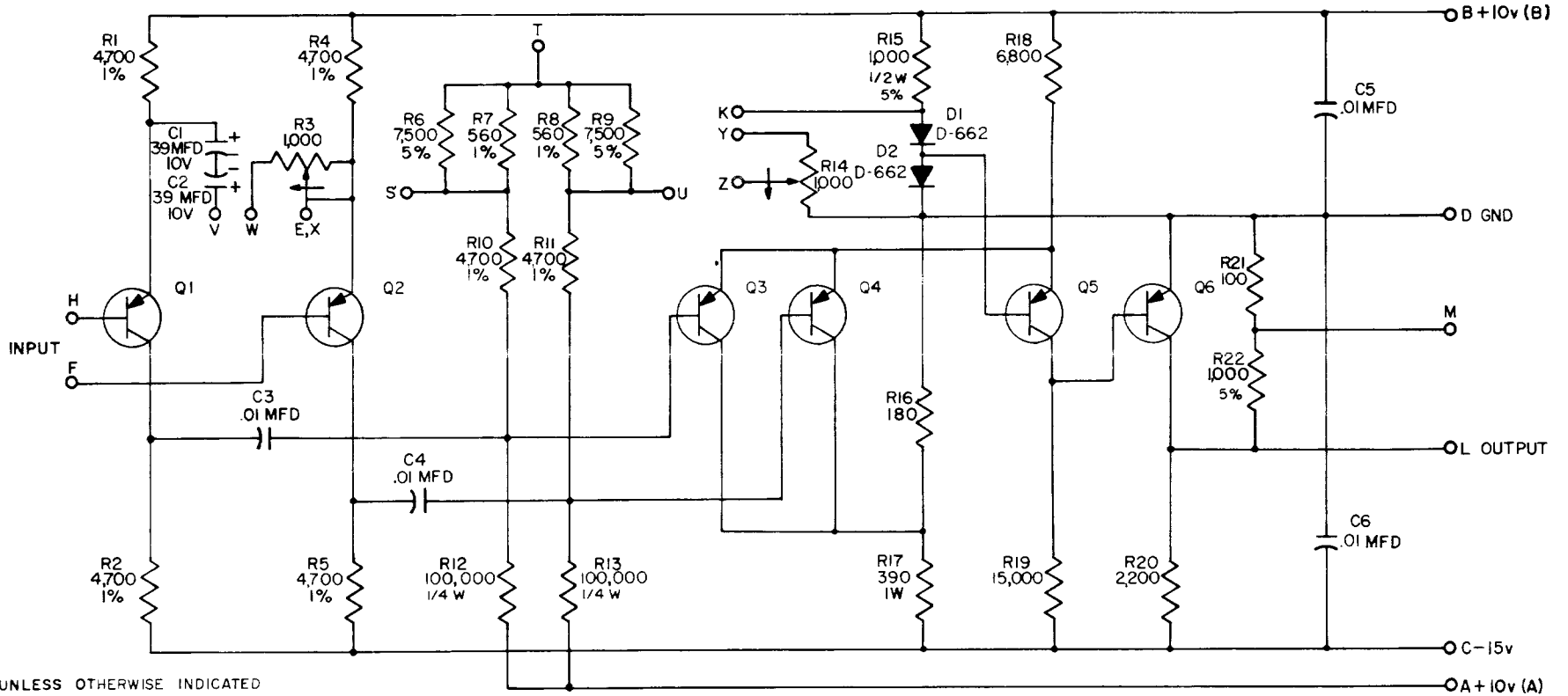
THIS SCHEMATIC IS FURNISHED ONLY FOR TEST AND MAINTENANCE PURPOSES. THE CIRCUITS ARE PROPRIETARY IN NATURE AND SHOULD BE TREATED ACCORDINGLY.

COPYRIGHT 1963 BY DIGITAL EQUIPMENT CORPORATION

B	RS-1542	6
GATABLE RECTIFYING SLICER 1542		

DIGITAL EQUIPMENT CORPORATION • MAYNARD, MASSACHUSETTS

RS-1546-5



UNLESS OTHERWISE INDICATED
RESISTORS ARE 1/2 W; 10%
CAPACITORS ARE MMFD
TRANSISTORS ARE MA90

TRANSISTOR & DIODE CONVERSION CHART			
DEC	EIA	DEC	EIA
MA90	2N2451		
D-662	1N645		

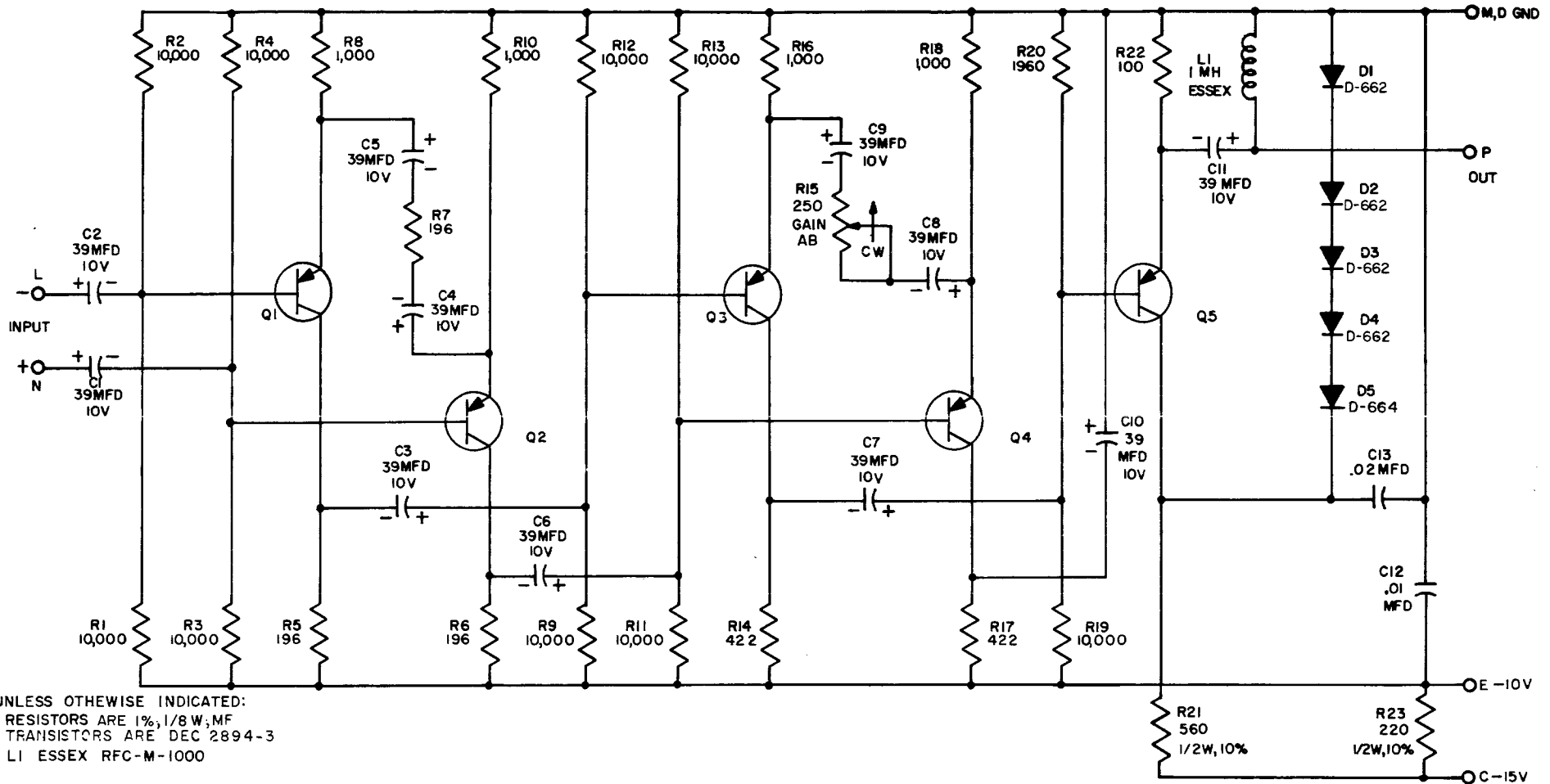
NOTES

THIS SCHEMATIC IS FURNISHED ONLY FOR TEST AND MAINTENANCE PURPOSES. THE CIRCUITS ARE PROPRIETARY IN NATURE AND SHOULD BE TREATED ACCORDINGLY.

COPYRIGHT 1963 BY DIGITAL EQUIPMENT CORPORATION

A B C D E F G H I J K L M N O P Q R S T U V W X Y Z														
D					RS-1546					5				
SENSE AMPLIFIER 1546														

RS-1550-8



UNLESS OTHERWISE INDICATED:
 RESISTORS ARE 1%, 1/8 W, MF
 TRANSISTORS ARE DEC 2894-3
 LI ESSEX RFC-M-1000

TRANSISTOR & DIODE CONVERSION CHART			
DEC	EIA	DEC	EIA
DEC 2894-3	NONE		
D-001	1N278		
D-662	1N648		
D-664	1N3608		

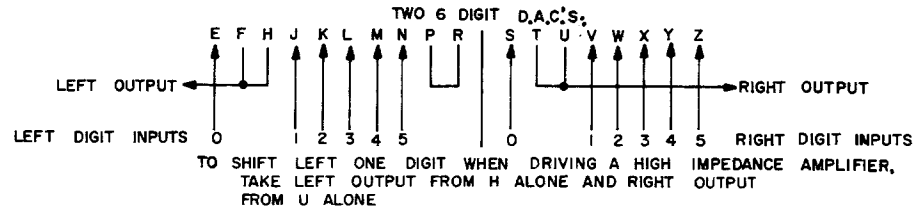
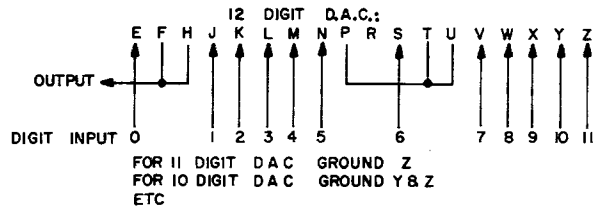
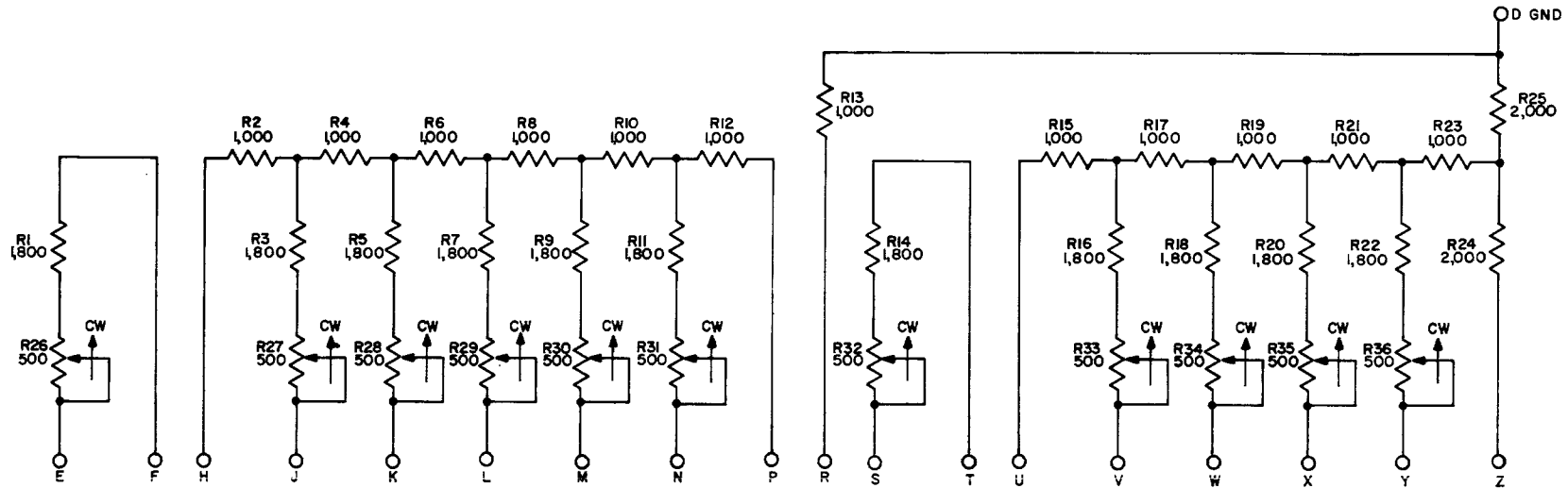
NOTES

THIS SCHEMATIC IS FURNISHED ONLY FOR TEST AND MAINTENANCE PURPOSES. THE CIRCUITS ARE PROPRIETARY IN NATURE AND SHOULD BE TREATED ACCORDINGLY.

COPYRIGHT 1963 BY DIGITAL EQUIPMENT CORPORATION

< B U D W L E Z X J K Z A R S T D > X Y N		
F	RS-1550	8
X10 AMPLIFIER 1550		

RS-B-1561-I



UNLESS OTHERWISE INDICATED:
 FIXED RESISTORS ARE 1/2W 1%
 VARIABLE RESISTORS ARE ALLEN BRADLEY TSRU5012

TRANSISTOR & DIODE CONVERSION CHART			
DEC	EIA	DEC	EIA

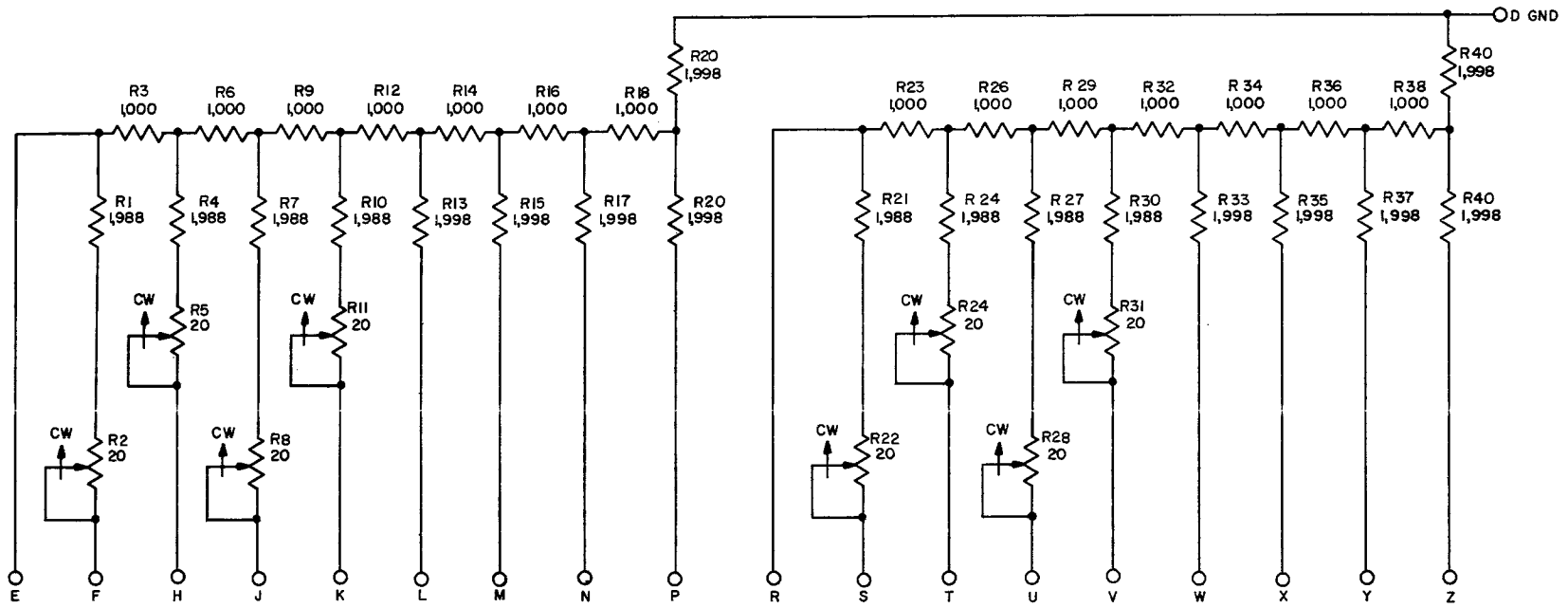
NOTES

THIS SCHEMATIC IS FURNISHED ONLY FOR TEST AND MAINTENANCE PURPOSES. THE CIRCUITS ARE PROPRIETARY IN NATURE AND SHOULD BE TREATED ACCORDINGLY.

COPYRIGHT 1963 BY DIGITAL EQUIPMENT CORPORATION

< 0 1 2 3 4 5 6 7 8 9 10 11 12 13 14 15 16 17 18 19 20 21 22 23 24 25 26 27 28 29 30 31 >		
B	RS-B-1561	I
DIGITAL TO ANALOG CONVERTER 1561		

RS-B-1563-3



UNLESS OTHERWISE INDICATED:
 FIXED RESISTORS ARE 1/10%, TEL-LABS AMI
 ALL POTS BOURNS TYPE 200 OR 271

TRANSISTOR & DIODE CONVERSION CHART			
DEC	EIA	DEC	EIA

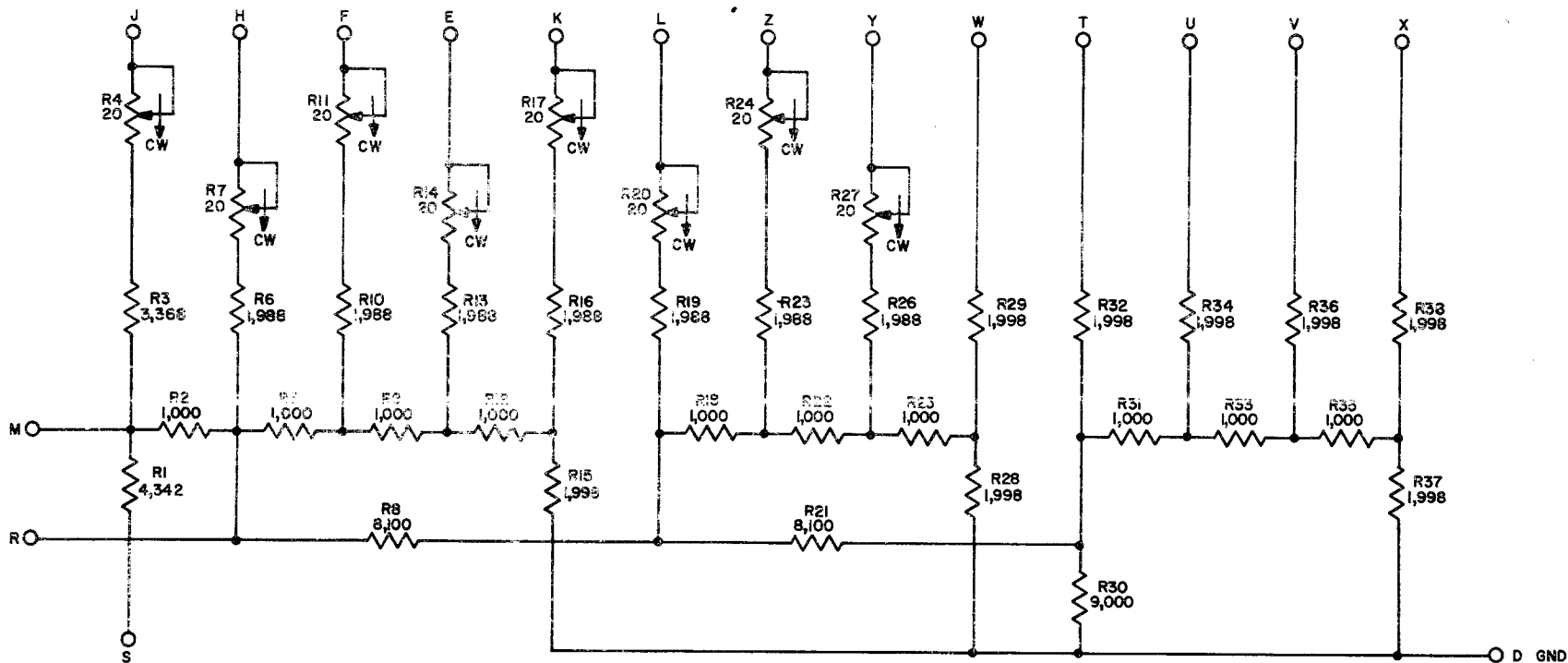
NOTES

THIS SCHEMATIC IS FURNISHED ONLY FOR TEST AND MAINTENANCE PURPOSES. THE CIRCUITS ARE PROPRIETARY IN NATURE AND SHOULD BE TREATED ACCORDINGLY.

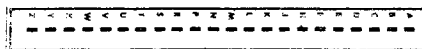
COPYRIGHT 1963 BY DIGITAL EQUIPMENT CORPORATION

◀ B U O W L Z Y J Z B R V T D S X ▶		
A	RS-B-1563	3
DUAL 8 BIT DIGITAL TO ANALOG CONVERTER 1563		

RS-1566-1



UNLESS OTHERWISE INDICATED
 RESISTORS ARE 1/10% TEL-LABS AMI
 ALL POTS BOURNS TYPE 200 OR 271

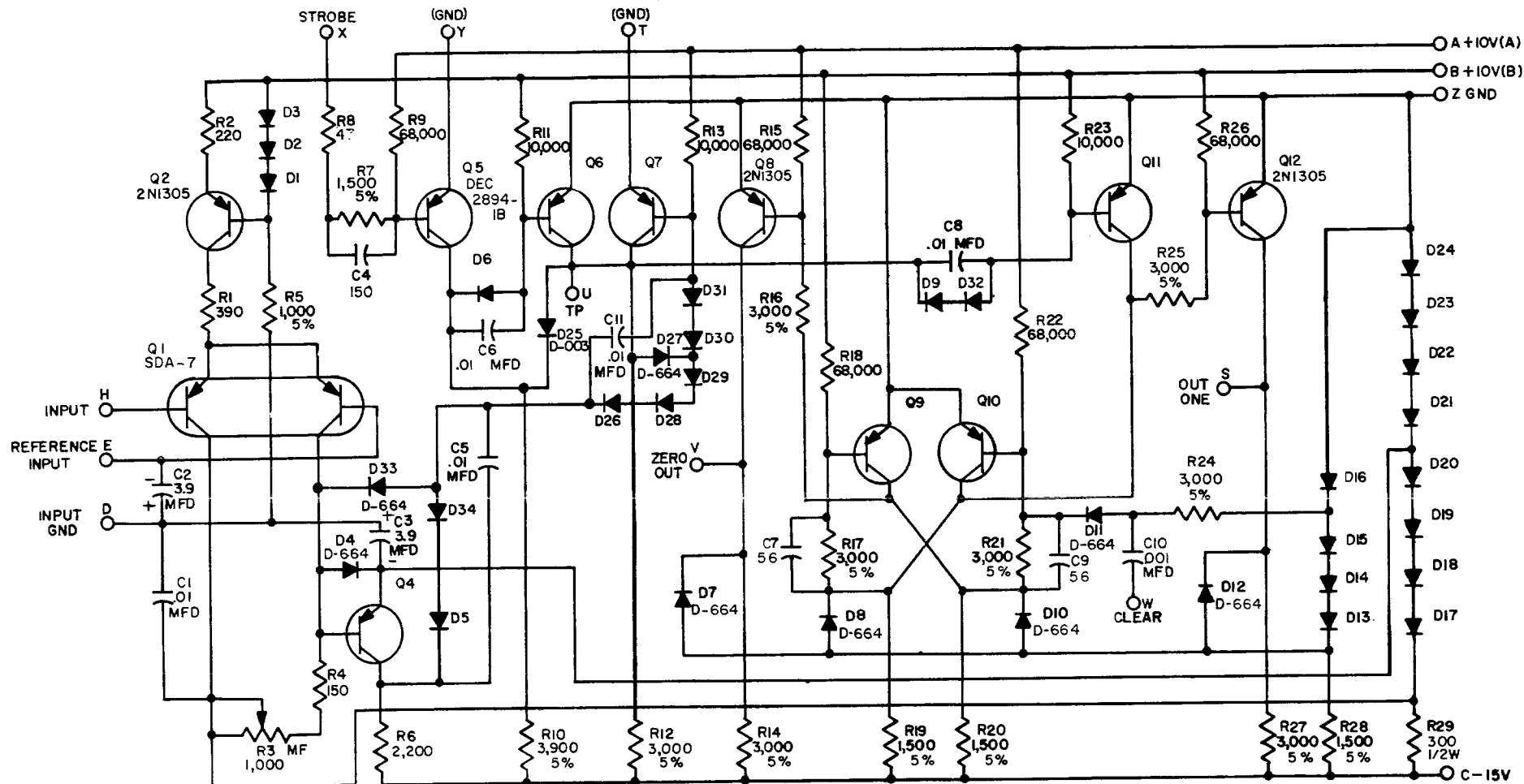


BCD LADDER 1566 (A) RS-1566-1

THIS SCHEMATIC IS FURNISHED ONLY FOR
 TEST AND MAINTENANCE PURPOSES. THE
 CIRCUITS ARE PROPRIETARY IN NATURE AND
 SHOULD BE TREATED ACCORDINGLY.

COPYRIGHT 1961 BY DIGITAL EQUIPMENT CORPORATION

DIGITAL EQUIPMENT CORPORATION • MAYNARD, MASSACHUSETTS



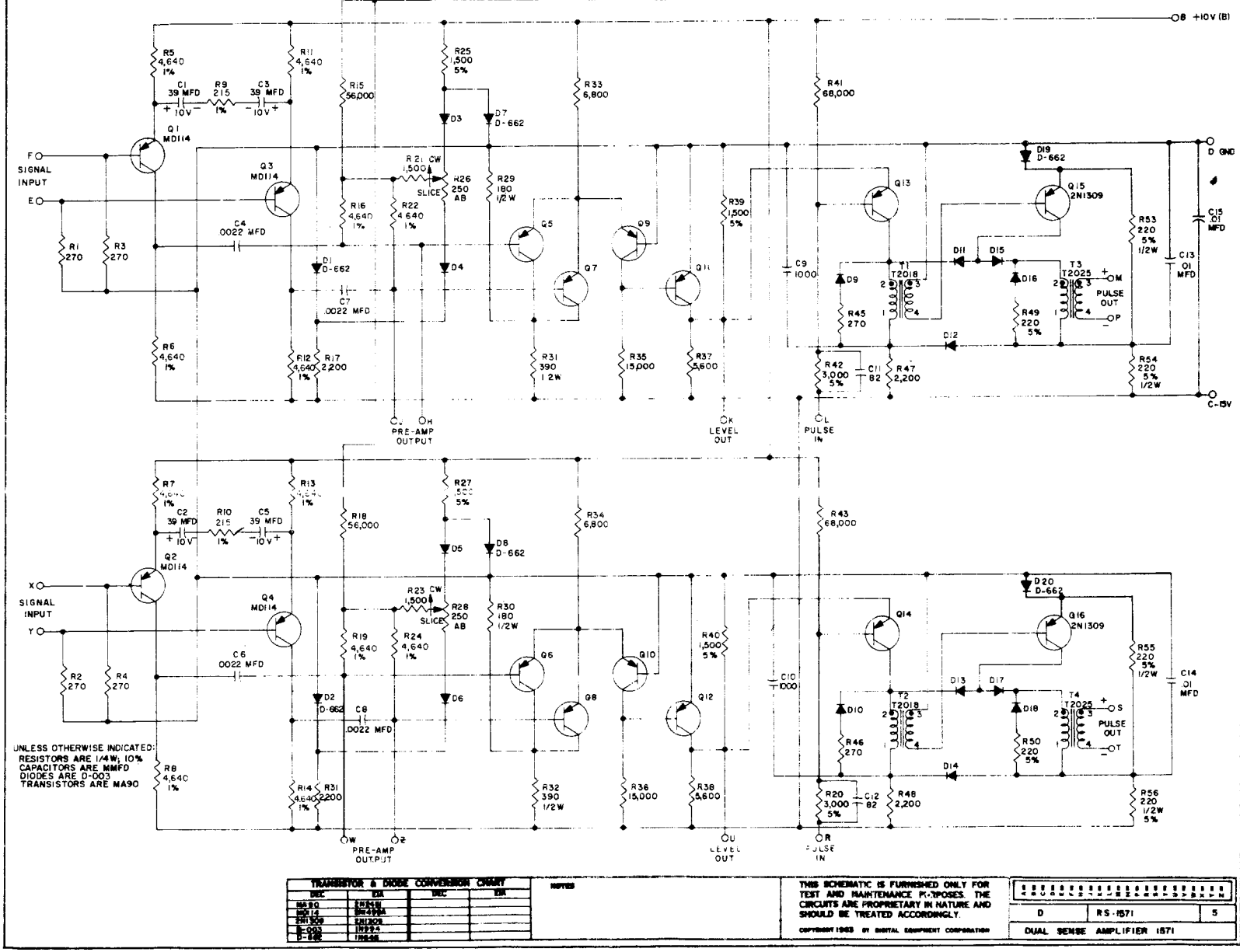
UNLESS OTHERWISE INDICATED:
 RESISTORS ARE 1/4W, 10%
 CAPACITORS ARE MMFD
 DIODES ARE D-662
 TRANSISTORS ARE DEC 3639-1B

TRANSISTOR & DIODE CONVERSION CHART			
DEC	EIA	DEC	EIA
2N1305	2N305	D-664	1N914
DEC 2894-1B	NONE	DEC 3639-1B	2N3639
SDA-7	SDA-7		
D-003	1N994		
D-662	1N648		

NOTES

THIS SCHEMATIC IS FURNISHED ONLY FOR TEST AND MAINTENANCE PURPOSES. THE CIRCUITS ARE PROPRIETARY IN NATURE AND SHOULD BE TREATED ACCORDINGLY.
 COPYRIGHT 1963 BY DIGITAL EQUIPMENT CORPORATION

C			RS-B-1570			10		
SLICER FLIP-FLOP 1570								



UNLESS OTHERWISE INDICATED:
 RESISTORS ARE 1/4W, 10%
 CAPACITORS ARE MMFD
 DIODES ARE D-003
 TRANSISTORS ARE MA90

TRANSISTOR & DIODE CONVERSION CHART			
DEC	EX	DEC	EX
MA90	2N1309		
D-003	1N934		
D-003	1N934		
D-003	1N934		

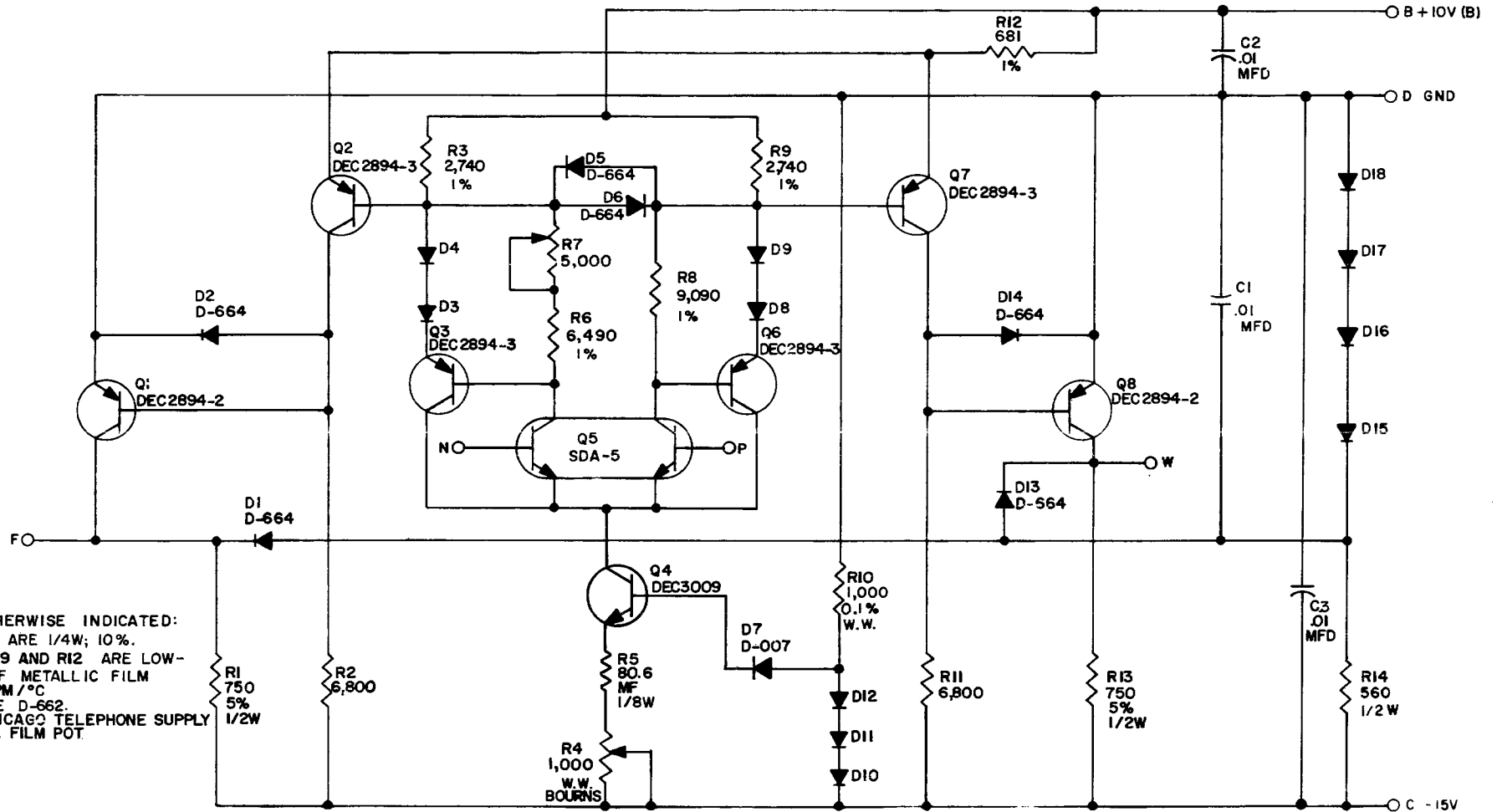
NOTES	

THIS SCHEMATIC IS FURNISHED ONLY FOR TEST AND MAINTENANCE PURPOSES. THE CIRCUITS ARE PROPRIETARY IN NATURE AND SHOULD BE TREATED ACCORDINGLY.

COPYRIGHT 1963 BY DIGITAL EQUIPMENT CORPORATION

D	RS-1571	5
DUAL SENSE AMPLIFIER (571)		

RS-B-1572-9



UNLESS OTHERWISE INDICATED:
 RESISTORS ARE 1/4W; 10%.
 R3,R6,R8,R9 AND R12 ARE LOW-
 TEMP COEF METALLIC FILM
 1/4W; 50PPM/°C
 DIODES ARE D-662.
 R7 IS A CHICAGO TELEPHONE SUPPLY
 CO. METAL FILM POT.

TRANSISTOR & DIODE CONVERSION CHART			
DEC	EIA	DEC	EIA
DEC2894-2	DEC2894	D-662	1N645
DEC2894-3	DEC2894	D-664	1N914
DEC3009	2N3009	D-007	1N277
SDA-5	2N2060		

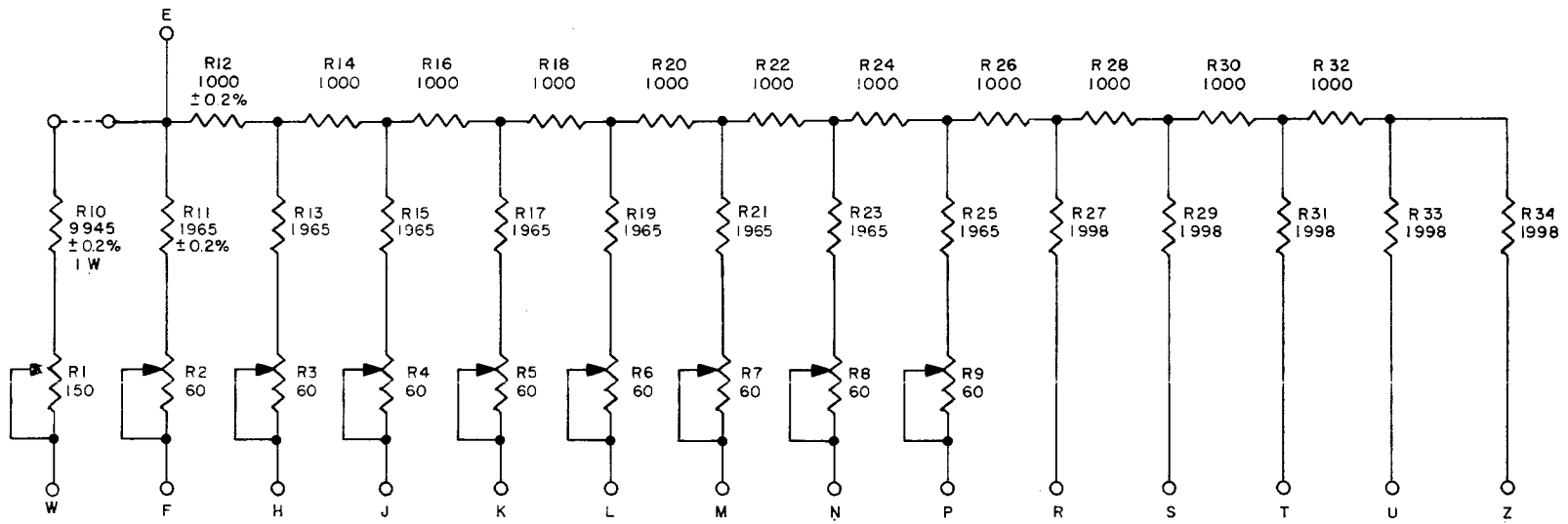
NOTES

THIS SCHEMATIC IS FURNISHED ONLY FOR TEST AND MAINTENANCE PURPOSES. THE CIRCUITS ARE PROPRIETARY IN NATURE AND SHOULD BE TREATED ACCORDINGLY.

COPYRIGHT 1963 BY DIGITAL EQUIPMENT CORPORATION

A	B	C	D	E	F	G	H	I	J	K	L	M	N	O	P	Q	R	S	T	U	V	W	X	Y	Z
E												RS-B-1572						9							
DIFFERENCE AMPLIFIER 1572																									

RS-1574-2



UNLESS OTHERWISE INDICATED
 RESISTORS ARE ACI METAL FILM 0.5% , 1/2W
 R10 - R18 $\pm 10 \text{ ppm}/^\circ\text{C}$
 R19 - R22 $\pm 50 \text{ ppm}/^\circ\text{C}$
 R23 - R34 $\pm 150 \text{ ppm}/^\circ\text{C}$
 POTENTIOMETERS: DAYSTROM TYPE 510, $\pm 5\%$, $\pm 50 \text{ ppm}/^\circ\text{C}$
 R1: RESOLUTION OF .55%, MAX. END RESISTANCE OF 2Ω
 R2-R9: RESOLUTION OF .6%, MAX. END RESISTANCE OF 0.5Ω

TRANSISTOR & DIODE CONVERSION CHART			
DEC	EIA	DEC	EIA

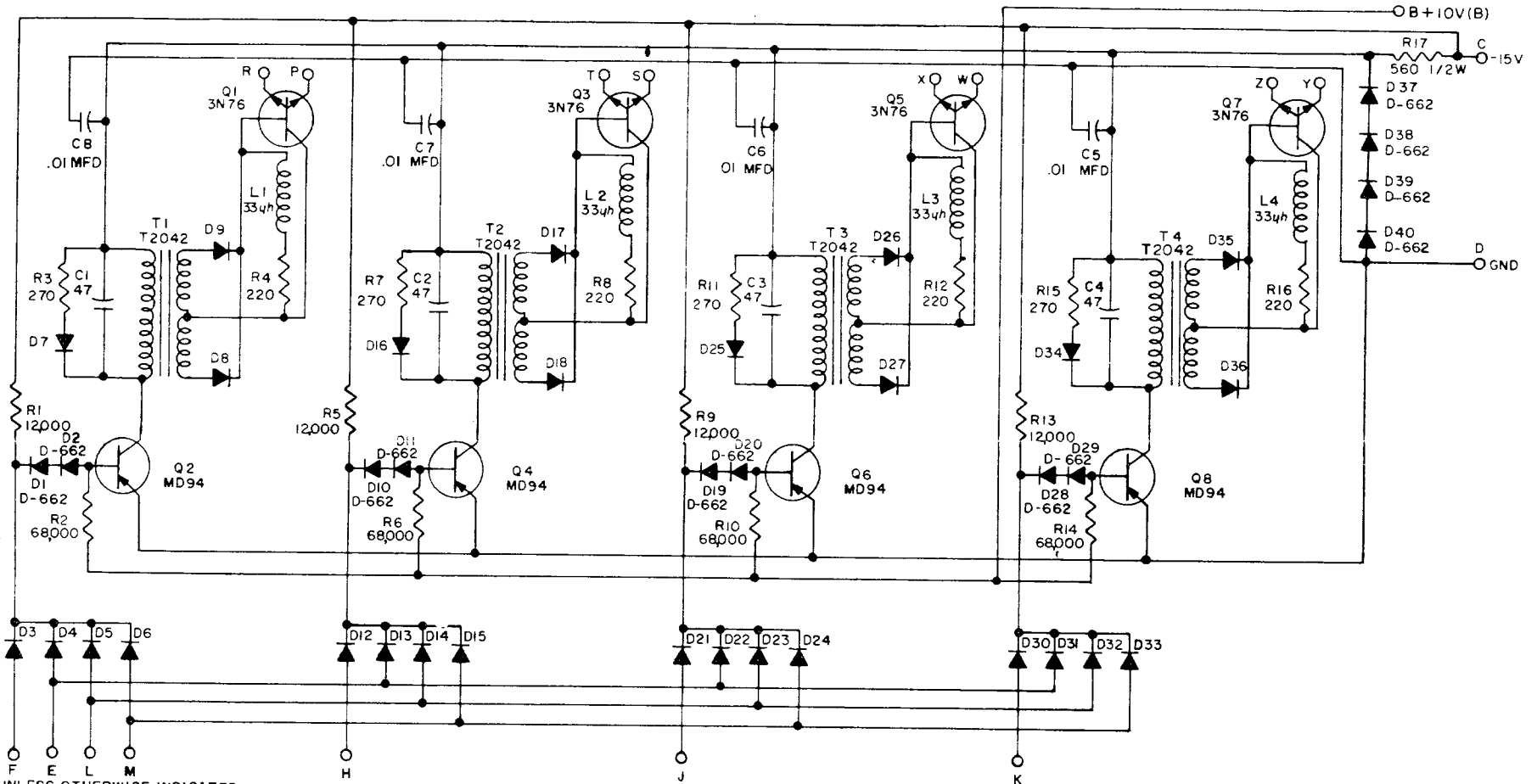
NOTES

THIS SCHEMATIC IS FURNISHED ONLY FOR TEST AND MAINTENANCE PURPOSES. THE CIRCUITS ARE PROPRIETARY IN NATURE AND SHOULD BE TREATED ACCORDINGLY.

COPYRIGHT 1963 BY DIGITAL EQUIPMENT CORPORATION

B	RS-1574	2
12 BIT DIGITAL TO ANALOG CONVERTER .1574		

RS-1578-1



UNLESS OTHERWISE INDICATED:
 RESISTORS ARE 1/4W; 5%
 DIODES ARE D-003
 CAPACITORS ARE MMFD

TRANSISTOR & DIODE CONVERSION CHART			
DEC		EIA	
MD94		2N2488	
3N76		3N76	
D-003		1N994	
D-662		1N645	

NOTES

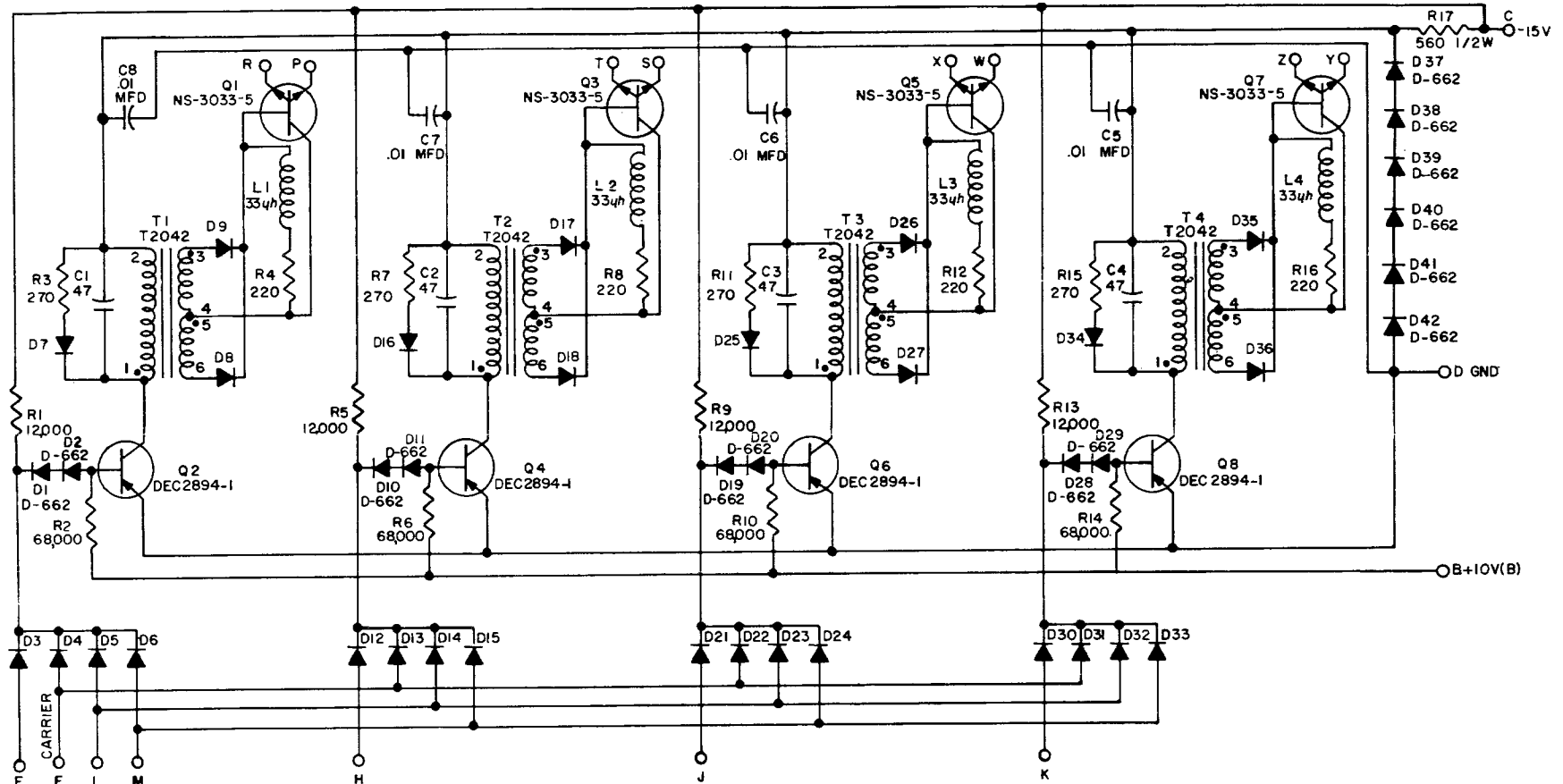
THIS SCHEMATIC IS FURNISHED ONLY FOR TEST AND MAINTENANCE PURPOSES THE CIRCUITS ARE PROPRIETARY IN NATURE AND SHOULD BE TREATED ACCORDINGLY

COPYRIGHT 1963 BY DIGITAL EQUIPMENT CORPORATION

B RS-1578 I		
MULTIPLEXER SWITCH 1578		

DIGITAL EQUIPMENT CORPORATION • MAYNARD, MASSACHUSETTS

RS-B-15781-I



UNLESS OTHERWISE INDICATED:
 RESISTORS ARE 1/4W, 5%
 DIODES ARE D-664
 CAPACITORS ARE MMFD

TRANSISTOR & DIODE CONVERSION CHART			
DEC	EIA	DEC	EIA
D-664	1N914		
D-662	1N645		
DEC2894-1	DEC2894		
NS-3033-5	2N70 *		

NOTES

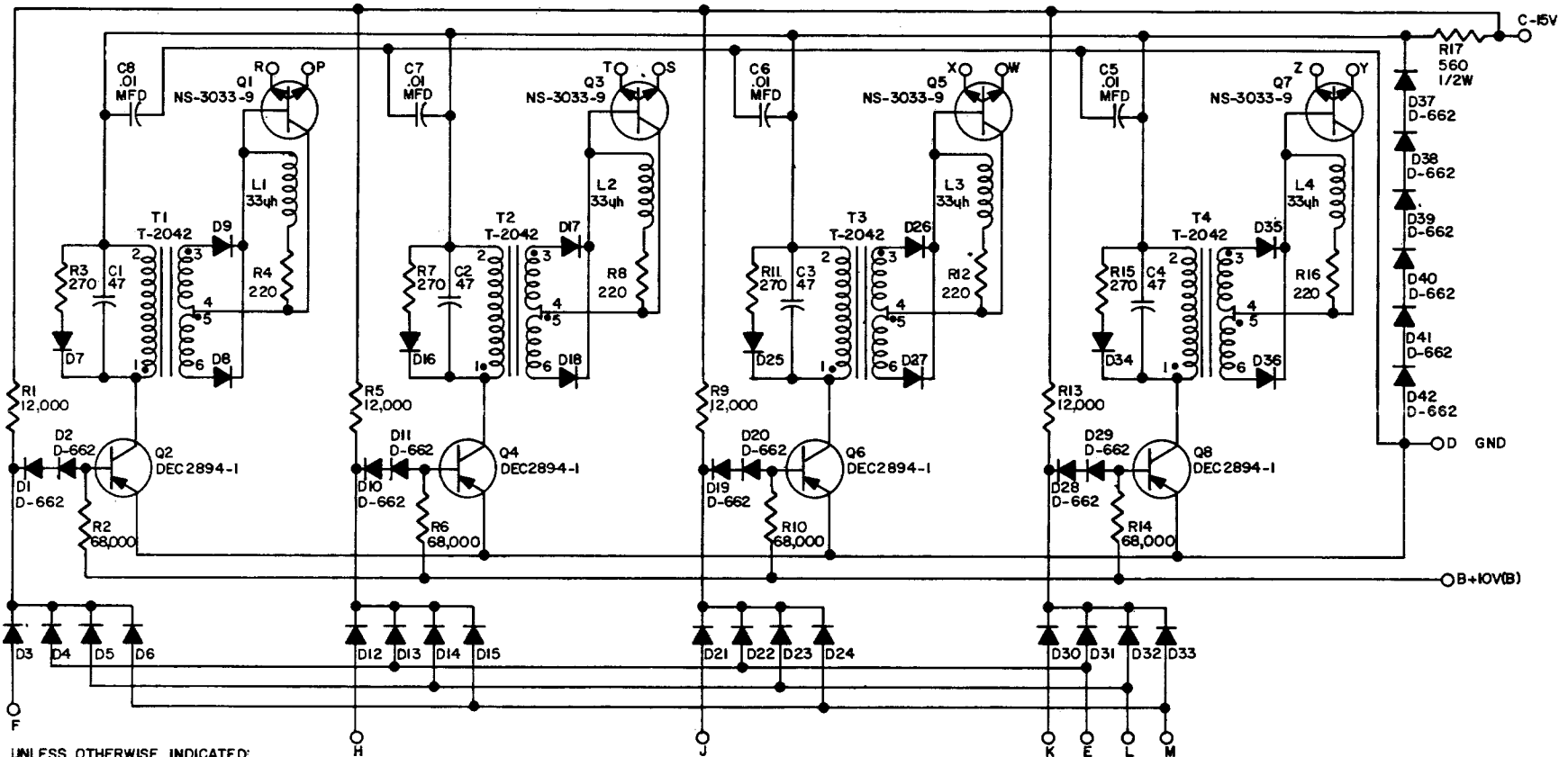
- * $B_{VE}, E_{20} \geq \pm 12V$
- $B_{VE}, B_0 \geq 12V$
- $I_E, E_{10} \leq 2N_A \pm 10V$

THIS SCHEMATIC IS FURNISHED ONLY FOR TEST AND MAINTENANCE PURPOSES. THE CIRCUITS ARE PROPRIETARY IN NATURE AND SHOULD BE TREATED ACCORDINGLY.

COPYRIGHT 1963 BY DIGITAL EQUIPMENT CORPORATION

D			RS-B-15781			I		
MULTIPLEXER SWITCH 15781								

RS-B-15782



UNLESS OTHERWISE INDICATED:
RESISTORS ARE 1/4W, 5%
DIODES ARE D-664
CAPACITORS ARE MMFD

TRANSISTOR & DIODE CONVERSION CHART	
DEC	EIA
DEC 2894-I	DEC 2894
NS-3033-9	NS-3033-9
D-662	IN 645
D-664	IN 914

NOTES

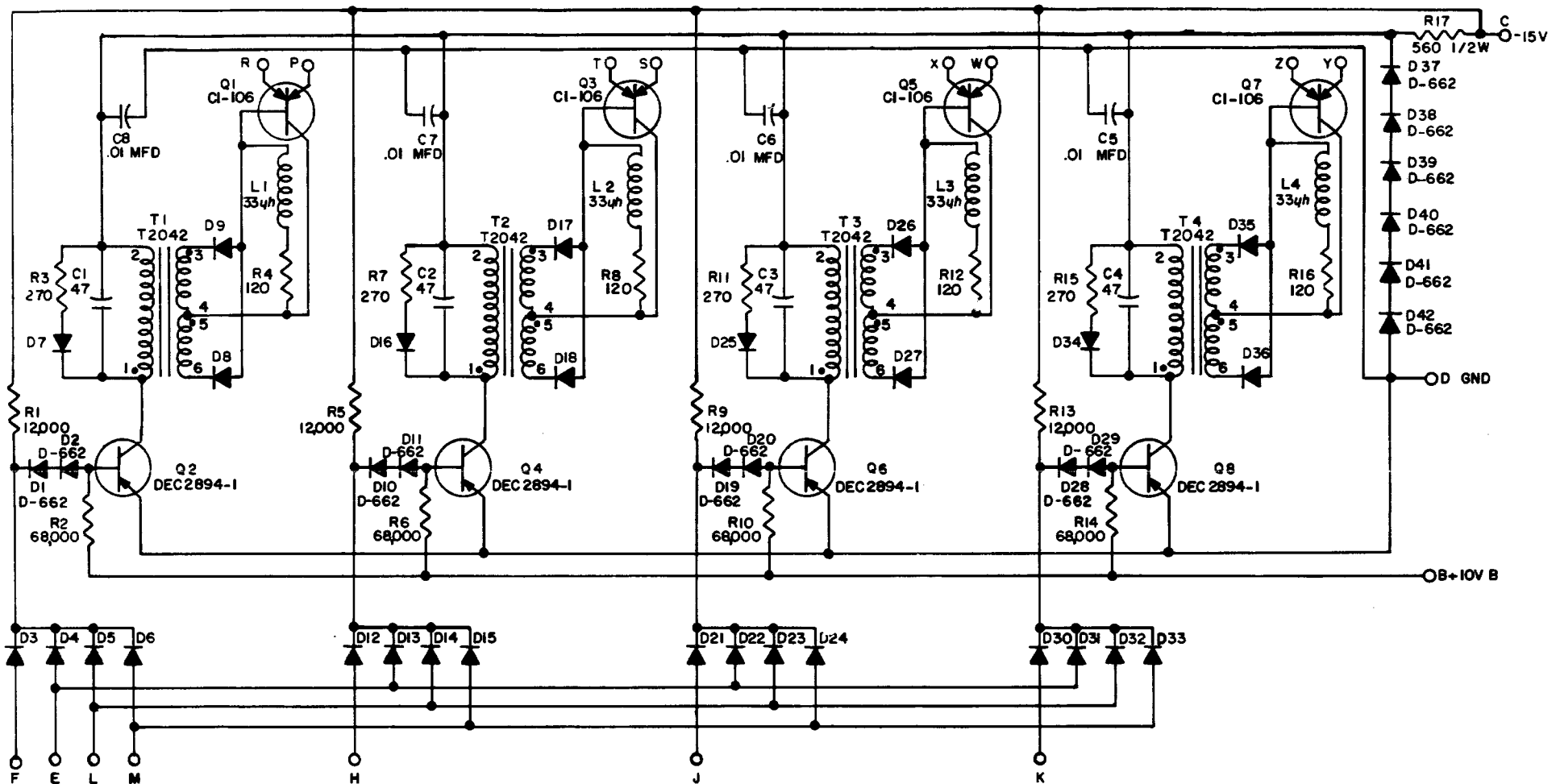
THIS SCHEMATIC IS FURNISHED ONLY FOR TEST AND MAINTENANCE PURPOSES. THE CIRCUITS ARE PROPRIETARY IN NATURE AND SHOULD BE TREATED ACCORDINGLY

COPYRIGHT 1964 BY DIGITAL EQUIPMENT CORPORATION

<p>← G U 1 2 3 4 5 6 7 8 9 10 11 12 13 14 15 16 17 18 19 20 21 22 23 24 25 26 27 28 29 30 31 32 33 34 35 36 37 38 39 40 →</p>	
D	RS-B-15782
MULTIPLEXER SWITCH 15782	

DIGITAL EQUIPMENT CORPORATION • MAYNARD, MASSACHUSETTS

RS-B-15783-I



UNLESS OTHERWISE INDICATED:
 RESISTORS ARE 1/4W; 5%
 DIODES ARE D-664
 CAPACITORS ARE MMFD

TRANSISTOR & DIODE CONVERSION CHART			
DEC	EIA	DEC	EIA
DEC2894-1	DEC2894		
CI-106	CI-106		
D-662	1N645		
D-664	1N3605		

NOTES

THIS SCHEMATIC IS FURNISHED ONLY FOR TEST AND MAINTENANCE PURPOSES. THE CIRCUITS ARE PROPRIETARY IN NATURE AND SHOULD BE TREATED ACCORDINGLY.

COPYRIGHT 1964 BY DIGITAL EQUIPMENT CORPORATION

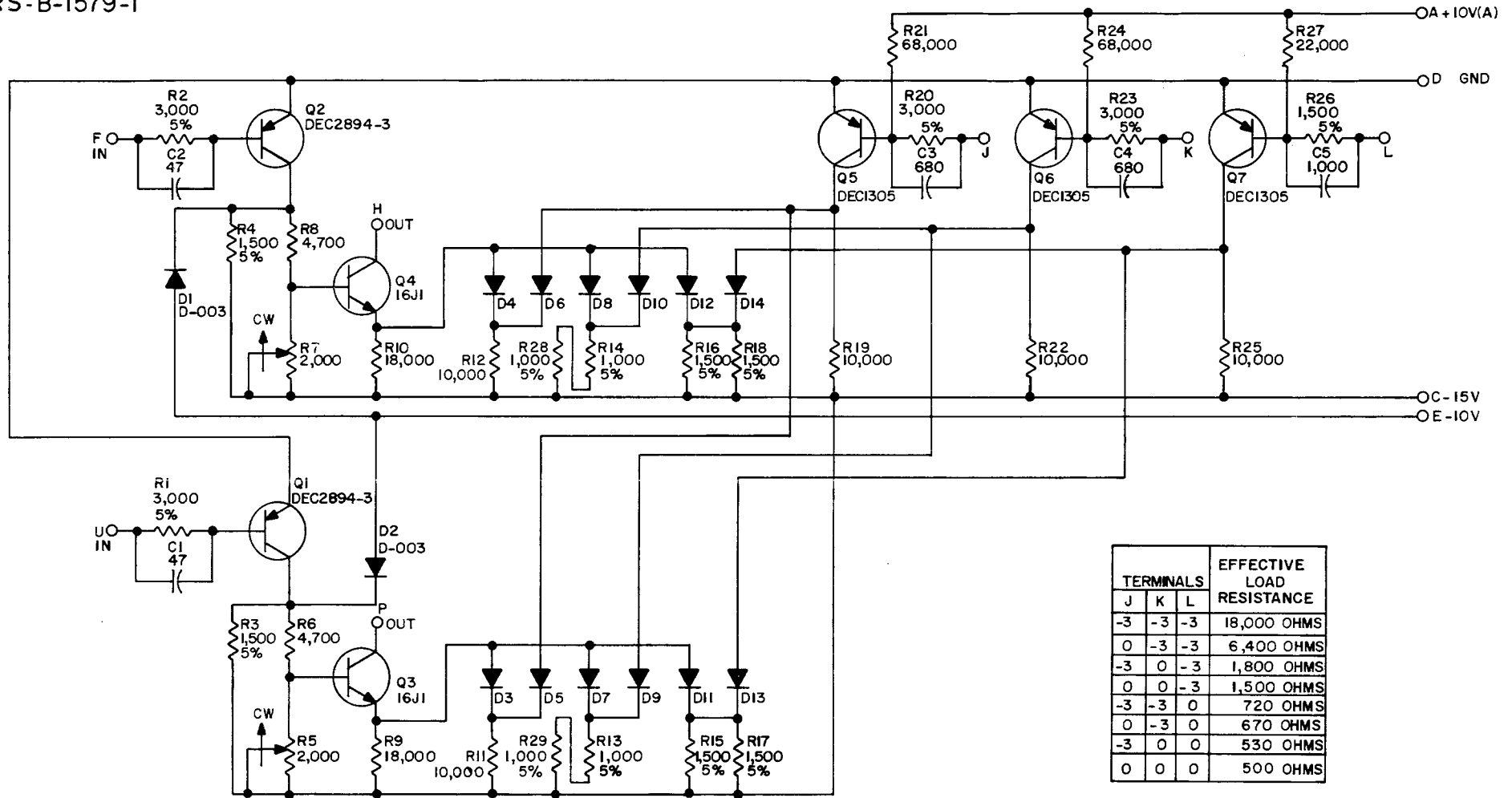
ABCDEFGHIJKLMNOPQRSTUVWXYZ

D RS-B-15783 I

MULTIPLEXER SWITCH 15783

DIGITAL EQUIPMENT CORPORATION • MAYNARD, MASSACHUSETTS

RS-B-1579-I



TERMINALS			EFFECTIVE LOAD RESISTANCE
J	K	L	18,000 OHMS
-3	-3	-3	6,400 OHMS
-3	0	-3	1,800 OHMS
0	0	-3	1,500 OHMS
-3	-3	0	720 OHMS
0	-3	0	670 OHMS
-3	0	0	530 OHMS
0	0	0	500 OHMS

UNLESS OTHERWISE INDICATED:
 RESISTORS ARE 1/4W; 10%
 CAPACITORS ARE MMFD
 DIODES ARE D-664

DEC	EIA	DEC	EIA
DEC2894-3	DEC2894		
DEC1305	2N1305		
16J1	16J1		
D-003	1N994		
D-664	1N3606		

NOTES

THIS SCHEMATIC IS FURNISHED ONLY FOR TEST AND MAINTENANCE PURPOSES. THE CIRCUITS ARE PROPRIETARY IN NATURE AND SHOULD BE TREATED ACCORDINGLY.

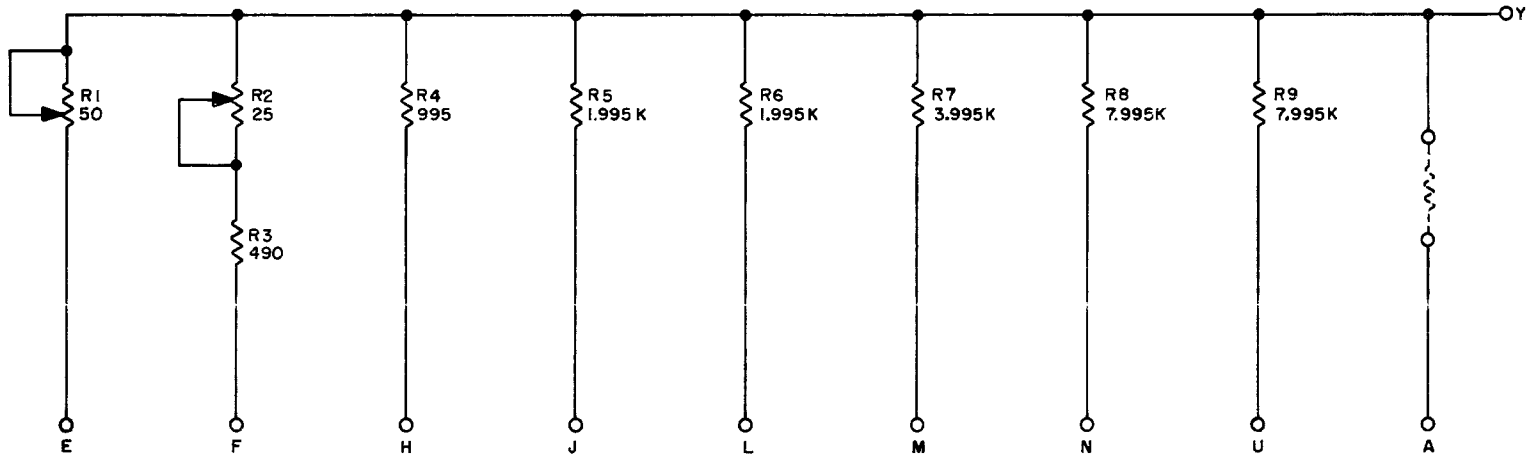
COPYRIGHT 1964 BY DIGITAL EQUIPMENT CORPORATION

A B C D E F G H I J K L M N O P Q R S T U V W X Y Z

B RS-B-1579 I

FEED FORWARD 1579

RS-B-1581



NOTES:
 RESISTORS ARE ACI METAL FILM 2%, 25PPM/°C
 TRIM POTS ARE CTS INFINIT RESOLUTION

TRANSISTOR & DIODE CONVERSION CHART			
DEC	EIA	DEC	EIA

NOTES

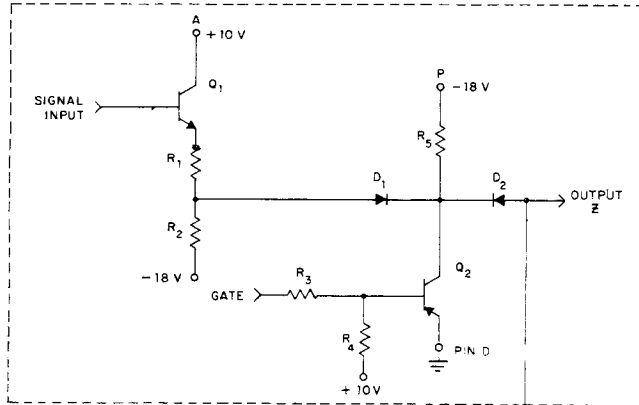
THIS SCHEMATIC IS FURNISHED ONLY FOR TEST AND MAINTENANCE PURPOSES. THE CIRCUITS ARE PROPRIETARY IN NATURE AND SHOULD BE TREATED ACCORDINGLY.

COPYRIGHT 1964 BY DIGITAL EQUIPMENT CORPORATION

A	R 5 - B - 1581
---	----------------

STAR 1581

RS-B-1583-1



NOTE: 8 SECTIONS PER CARD WITH
OUTPUTS IN PARALLEL

PARTS LIST		
DESIGNATION	DESCRIPTION	NO REQ
D ₁ D ₂	D-664	16 ea
R ₁	15K A/B 1/4 W 5%	8 ea
R ₂	20K A/B 1/2 W 5%	8 ea
R ₃	3K A/B 1/4 W 5%	8 ea
R ₄	30K A/B 1/2 W 5%	8 ea
R ₅	5K CORNING C20 1/2 W 2%	8 ea
Q ₁	2N708	8 ea
Q ₂	DEC1754	8 ea
DIGITAL EQUIP CO. 1951 MODULE		1 ea

SECTION	SIG INPUT	GATE
1	E	F
2	H	J
3	K	L
4	M	N
5	R	S
6	T	U
7	V	W
8	X	Y

TRANSISTOR & DIODE CONVERSION CHART			
DEC	EIA	DEC	EIA
D-664	IN 3876		
2N708	2N708		
DEC1754	2N1498A		

NOTES

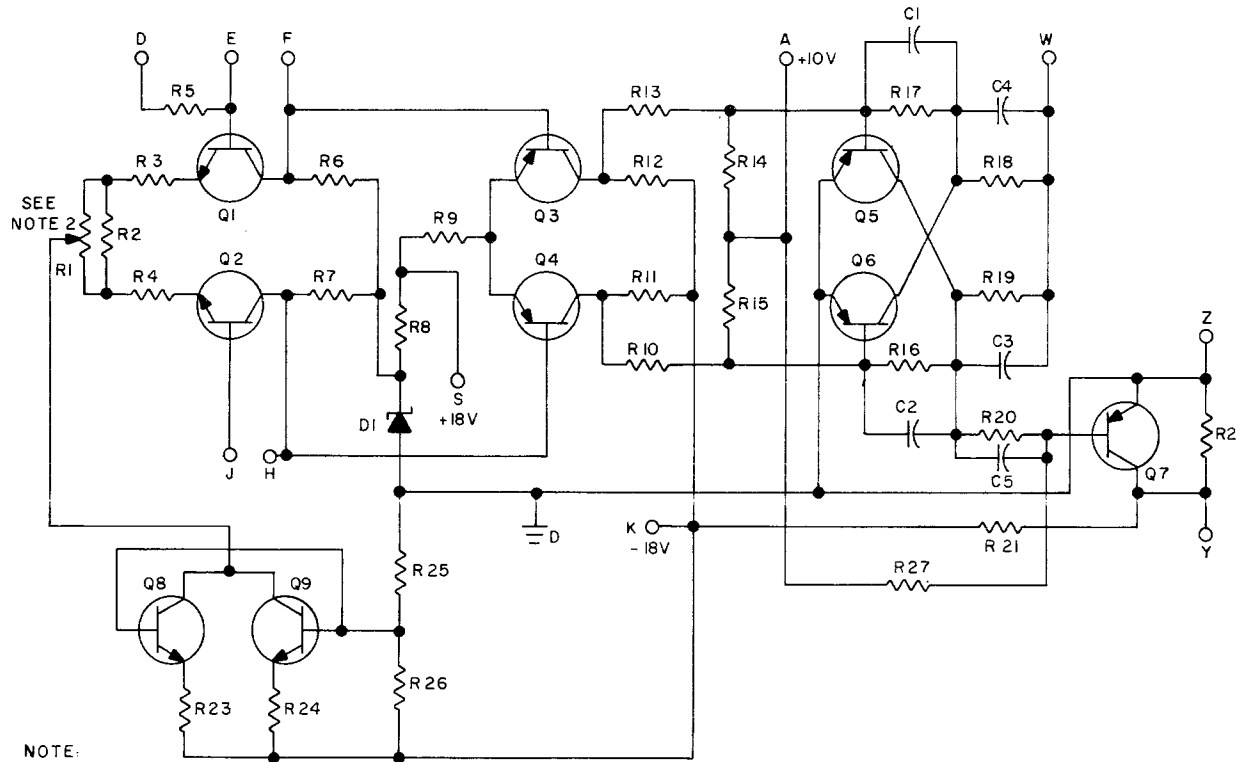
THIS SCHEMATIC IS FURNISHED ONLY FOR TEST AND MAINTENANCE PURPOSES. THE CIRCUITS ARE PROPRIETARY IN NATURE AND SHOULD BE TREATED ACCORDINGLY.

COPYRIGHT 1964 BY DIGITAL EQUIPMENT CORPORATION

RS-B-1583		1
MULTIPLEXER 1583		

DIGITAL EQUIPMENT CORPORATION • MAYNARD, MASSACHUSETTS

RS-B-1584



NOTE:

1. R2 MAY BE REMOVED IF UNIT WILL NOT BALANCE WHEN TESTED.
2. LAYOUT MUST BE SYMMETRICAL ABOUT THIS AXIS.
3. PINS E & J ARE DIFFERENTIAL INPUTS. PIN Y IS PULSE OUTPUT.
4. R2 IS TO BE MOUNTED ON BIFURCATED TERMINALS TO ALLOW FOR BALANCE ADJUSTMENT DESCRIBED IN NOTE 1.

PARTS LIST

DESIG.	DESCRIPTION	NO. REQ.
C1, C2 C3, C4, C5	51 MMFD DIPPED SILVER MICA	4 ea.
DI	IN708 TRANSITRON 5.6VZ	1 ea.
Q1, Q2	GE 2N2480 DOUBLE TRANSISTOR	1 ea.
Q3, Q4, Q5 Q6, Q7	GEN. INST. 2N1499 A	5 ea.
Q8, Q9	FAIRCHILD 2N 708	2 ea.
R1	20 BOURN TRIMPOT 200L-1-200	1 ea.
R2	5.1 A/B 1/4 W 5%	1 ea.
R3, R4	75 A/B 1/4 W 5%	2 ea.
R5	1,100 1/4 5%	1 ea.
R6, R7	1,600 A/B 1/2 W 5%	2 ea.
R8, R9	1,000 A/B 1/2 W 5%	2 ea.
R10, R13 R14, R15	47,000 A/B 1/4 W 5%	4 ea.
R11, R12	2,000 A/B 1/2 W 5%	2 ea.
R16, R17	4,300 A/B 1/4 W 5%	2 ea.
R18, R19	1,000 A/B 1/2 W 5%	2 ea.
R20	1,000 A/B 1/4 W 5%	2 ea.
R21	3,300 A/B 1/2 W 5%	1 ea.
R22	1,500 A/B 1/2 W 5%	1 ea.
R23, R24	3,900 A/B 1/2 W 5%	2 ea.
R25	3,900 A/B 1/4 W 5%	1 ea.
R26	2,200 A/B 1/4 W 5%	1 ea.
R27	30,000 A/B 1/2 W 5%	1 ea.

TRANSISTOR & DIODE CONVERSION CHART

DEC	EIA	DEC	EIA
IN708	IN 708		
2N708	2N708		
2N1499A	2N1499A		
2N2480	2N2480		

NOTES

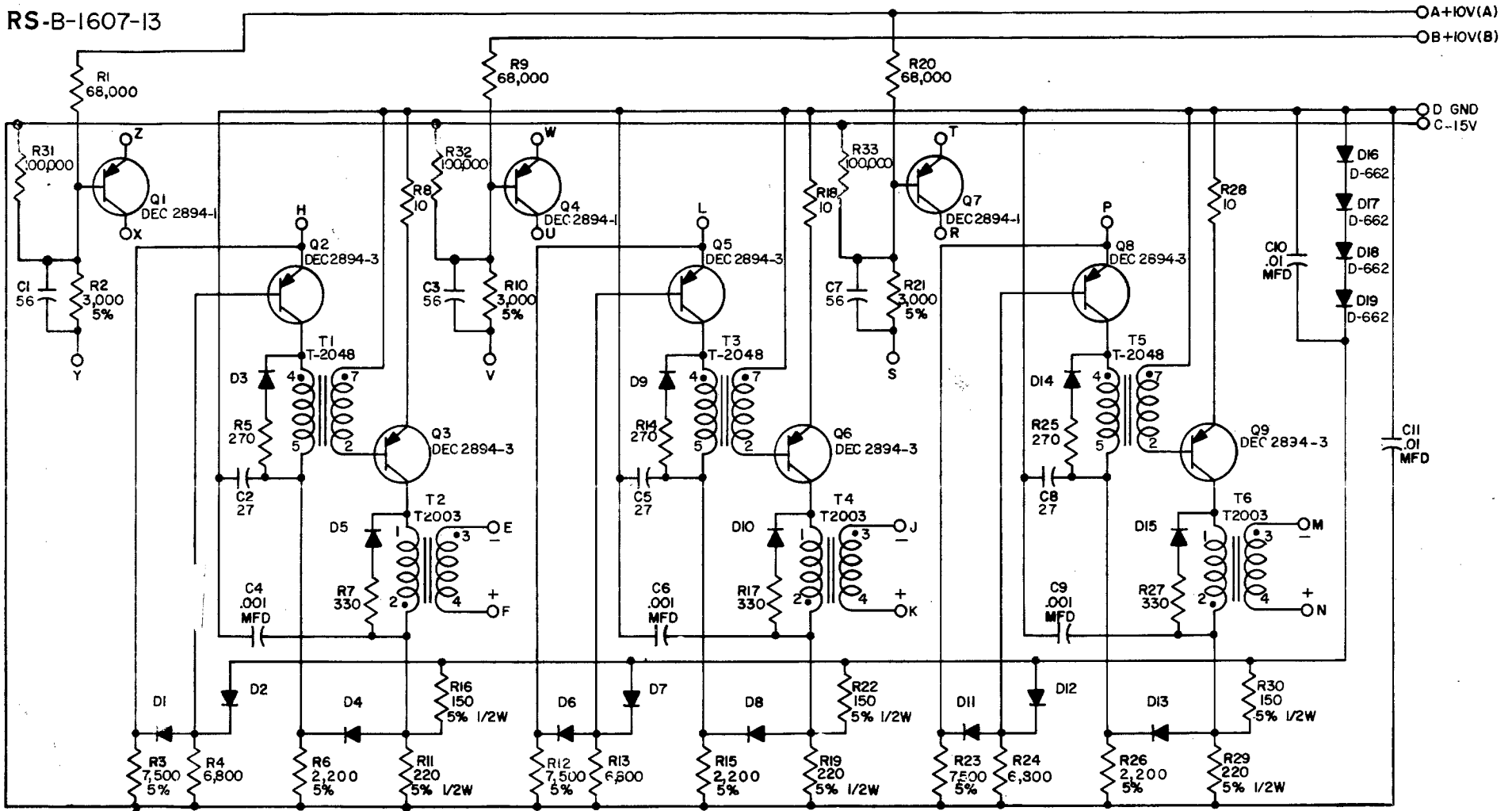
THIS SCHEMATIC IS FURNISHED ONLY FOR TEST AND MAINTENANCE PURPOSES. THE CIRCUITS ARE PROPRIETARY IN NATURE AND SHOULD BE TREATED ACCORDINGLY.

COPYRIGHT 1965 BY DIGITAL EQUIPMENT CORPORATION



A RS-B-1584 LATCHING DIFFERENTIAL AMPLIFIER 1584

RS-B-1607-13



UNLESS OTHERWISE INDICATED:
 RESISTORS ARE 1/4 W. 10%
 CAPACITORS ARE MMFD
 DIODES ARE D-664

TRANSISTOR & DIODE CONVERSION CHART			
DEC	EIA	DEC	EIA
DEC 2894-1	DEC 2894		
DEC 2894-3	DEC 2894		
D-664	1N914		
D-662	1N645		

NOTES

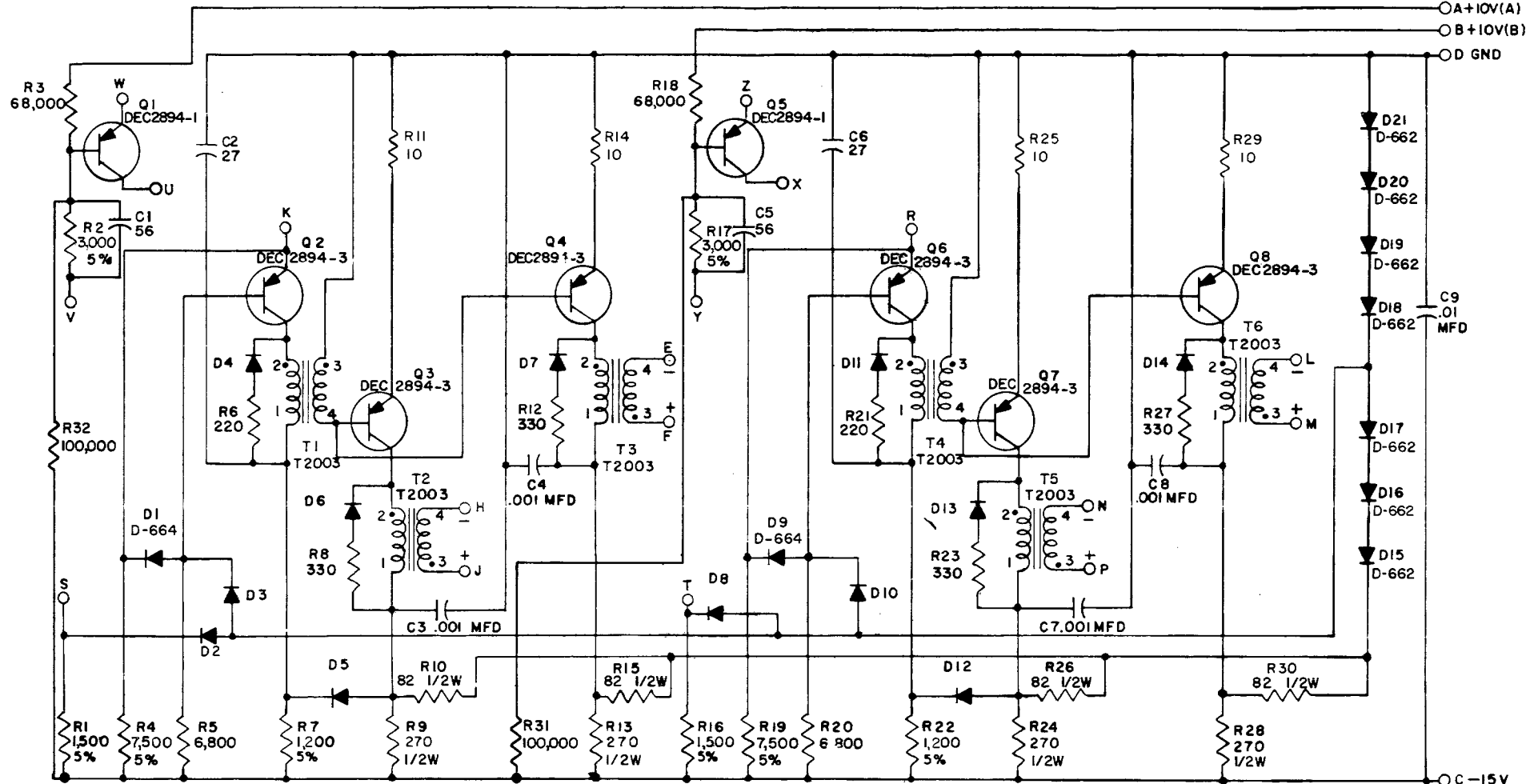
THIS SCHEMATIC IS FURNISHED ONLY FOR TEST AND MAINTENANCE PURPOSES. THE CIRCUITS ARE PROPRIETARY IN NATURE AND SHOULD BE TREATED ACCORDINGLY.

COPYRIGHT 1963 BY DIGITAL EQUIPMENT CORPORATION

A B C D E F G H I J K L M N O P Q R S T U V W X Y Z		
F	RS-B-1607	13
PULSE AMPLIFIER 1607		

DIGITAL EQUIPMENT CORPORATION • MAYNARD, MASSACHUSETTS

○A+10V(A)
○B+10V(B)
○D GND



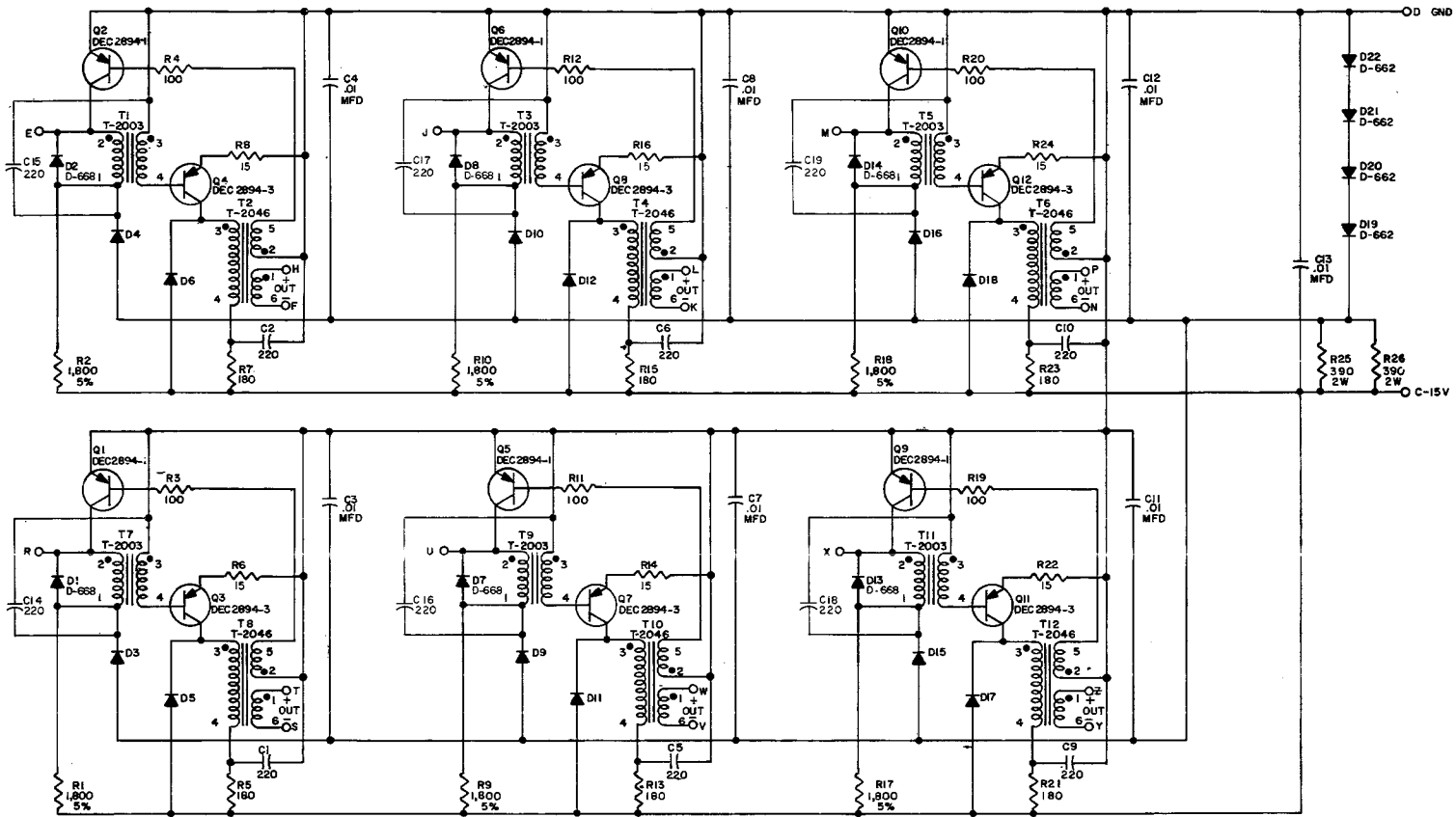
UNLESS OTHERWISE INDICATED:
RESISTORS ARE 1/4 W; 10%
CAPACITORS ARE MMFD
DIODES ARE D-664

TRANSISTOR & DIODE CONVERSION CHART			
DEC	EIA	DEC	EIA
DEC 2894-1	NONE		
DEC 2894-3	NONE		
D-664	1N3606		
D-662	1N645		

NOTES

THIS SCHEMATIC IS FURNISHED ONLY FOR TEST AND MAINTENANCE PURPOSES. THE CIRCUITS ARE PROPRIETARY IN NATURE AND SHOULD BE TREATED ACCORDINGLY.
COPYRIGHT 1963 BY DIGITAL EQUIPMENT CORPORATION

A B C D E F G H I J K L M N O P Q R S T U V W X Y Z		
D	RS-B-1608	9
PULSE AMPLIFIER 1608		



UNLESS OTHERWISE INDICATED:
 RESISTORS ARE 1/4W; 10%
 CAPACITORS ARE MMFD
 DIODES ARE D-664

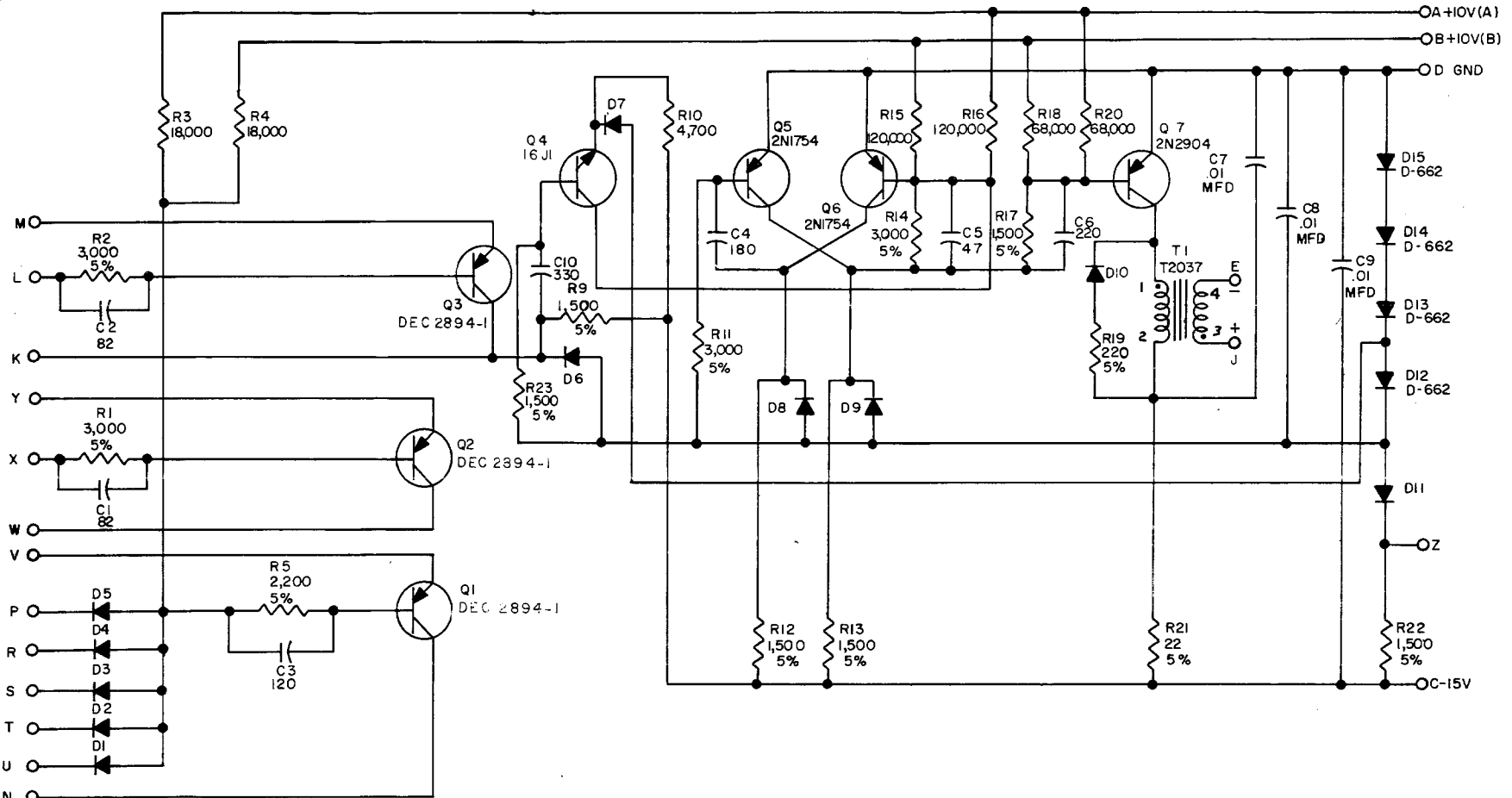
TRANSISTOR & DIODE CONVERSION CHART		
MANUFACTURER	DEC	DATA
2N2894-1	2N2894-1	2N2894-1
2N2003	2N2003	2N2003
2N2046	2N2046	2N2046
D-668	D-668	D-668

NOTES
 * 2(TWO) IN 3606 IN SERIES

THIS SCHEMATIC IS FURNISHED ONLY FOR TEST AND MAINTENANCE PURPOSES. THE CIRCUITS ARE PROPRIETARY IN NATURE AND SHOULD BE TREATED ACCORDINGLY.
 COPYRIGHT 1968 BY DIGITAL EQUIPMENT CORPORATION

RS-C-1609-5		
F	RS-C-1609	5
TO MILLISECOND PULSE AMPLIFIER 1609		

RS-1616-9



UNLESS OTHERWISE INDICATED:
 RESISTORS ARE 1/4W, 10%
 DIODES ARE D-003
 CAPACITORS ARE MMFD

TRANSISTOR & DIODE CONVERSION CHART			
DEC	EIA	DEC	EIA
D-003	IN994	2N2904	2N2904
D-662	IN645	16 J1	16 J1
DEC 2894-1	DEC 2894		
2N1754	2N1754		

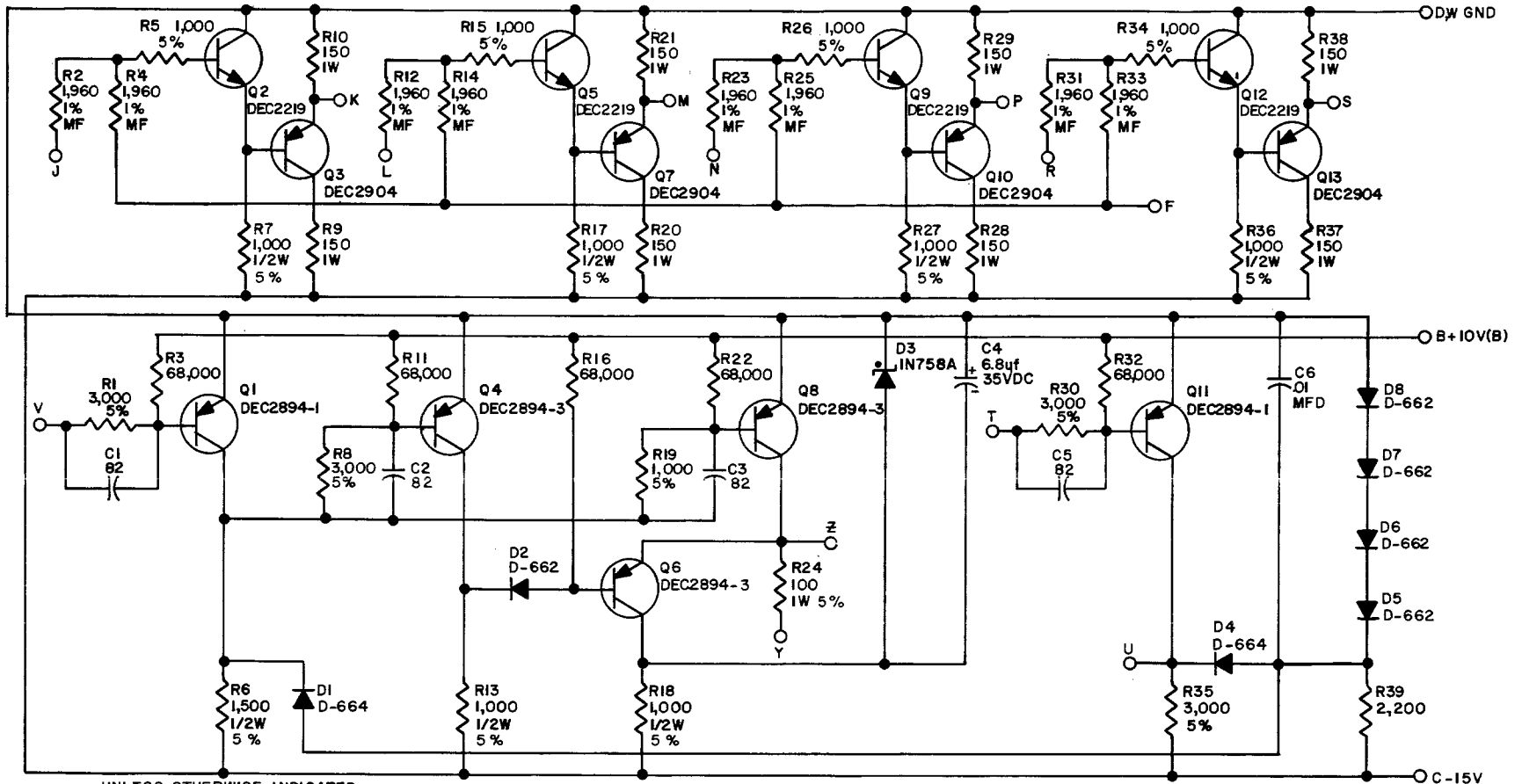
NOTES

THIS SCHEMATIC IS FURNISHED ONLY FOR TEST AND MAINTENANCE PURPOSES. THE CIRCUITS ARE PROPRIETARY IN NATURE AND SHOULD BE TREATED ACCORDINGLY.

© COPYRIGHT 1963 BY DIGITAL EQUIPMENT CORPORATION

A B C D E F G H I J K L M N O P Q R S T U V W X Y Z																										
D										RS-1616										9						
PULSE AMPLIFIER 1616																										

RS- B-1663-5



UNLESS OTHERWISE INDICATED:
 RESISTORS ARE 1/4W; 10%
 CAPACITORS ARE MMFD
 MF RESISTORS ARE 1/8W WITH T-0 CHARACTERISTIC

TRANSISTOR & DIODE CONVERSION CHART			
DEC	EIA	DEC	EIA
DEC2894-1	NONE	D-664	IN7505
DEC2894-3	NONE	IN758A	IN758A 10V
DEC2904	2N2904		
DEC2219	2N2219		
D-662	IN646		

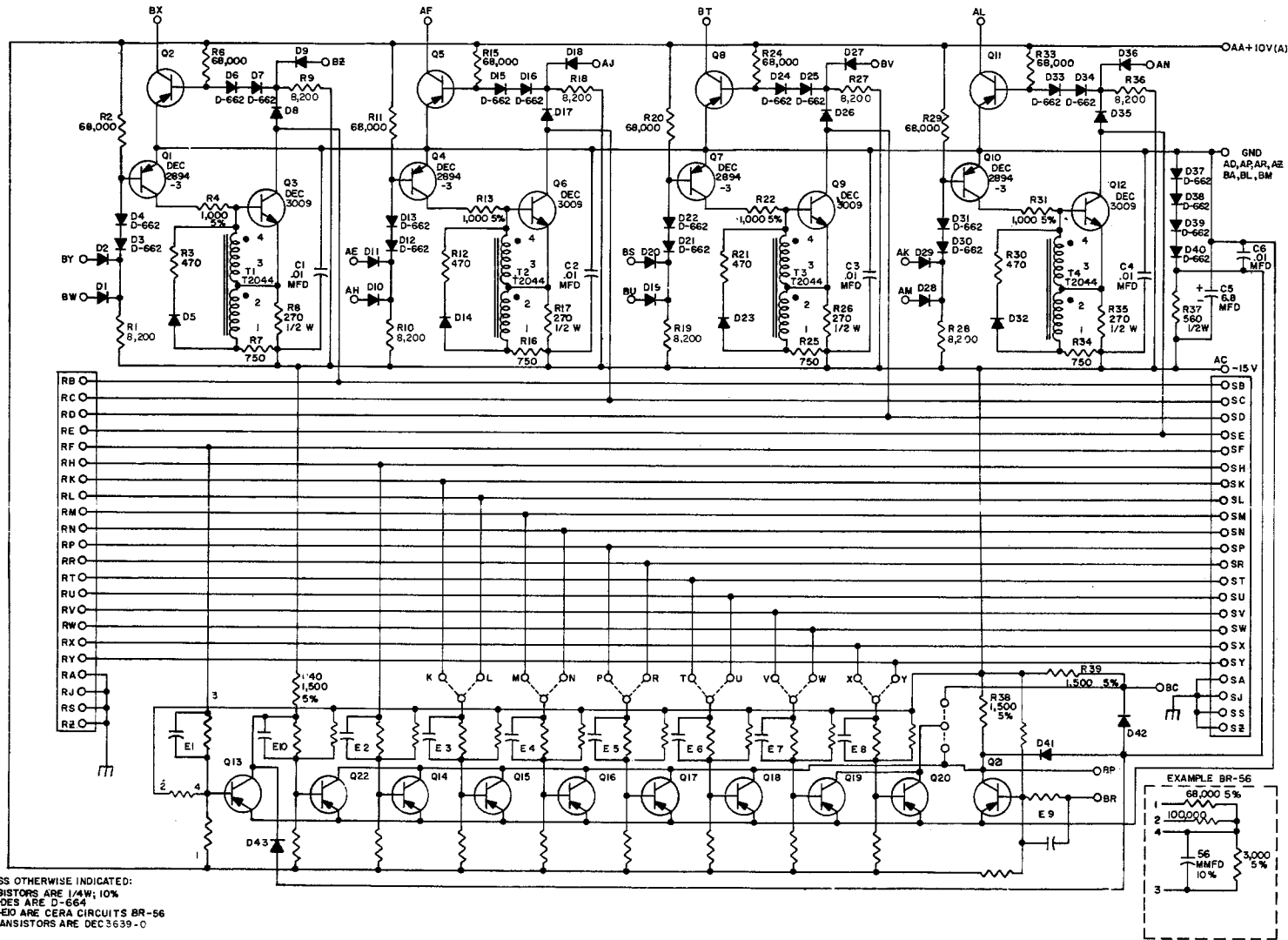
NOTES

THIS SCHEMATIC IS FURNISHED ONLY FOR TEST AND MAINTENANCE PURPOSES. THE CIRCUITS ARE PROPRIETARY IN NATURE AND SHOULD BE TREATED ACCORDINGLY.

COPYRIGHT 1984 BY DIGITAL EQUIPMENT CORPORATION

			C	RS-B-1663	B
DISPLAY CABLE DRIVER 1663					

RS-C-1664-5



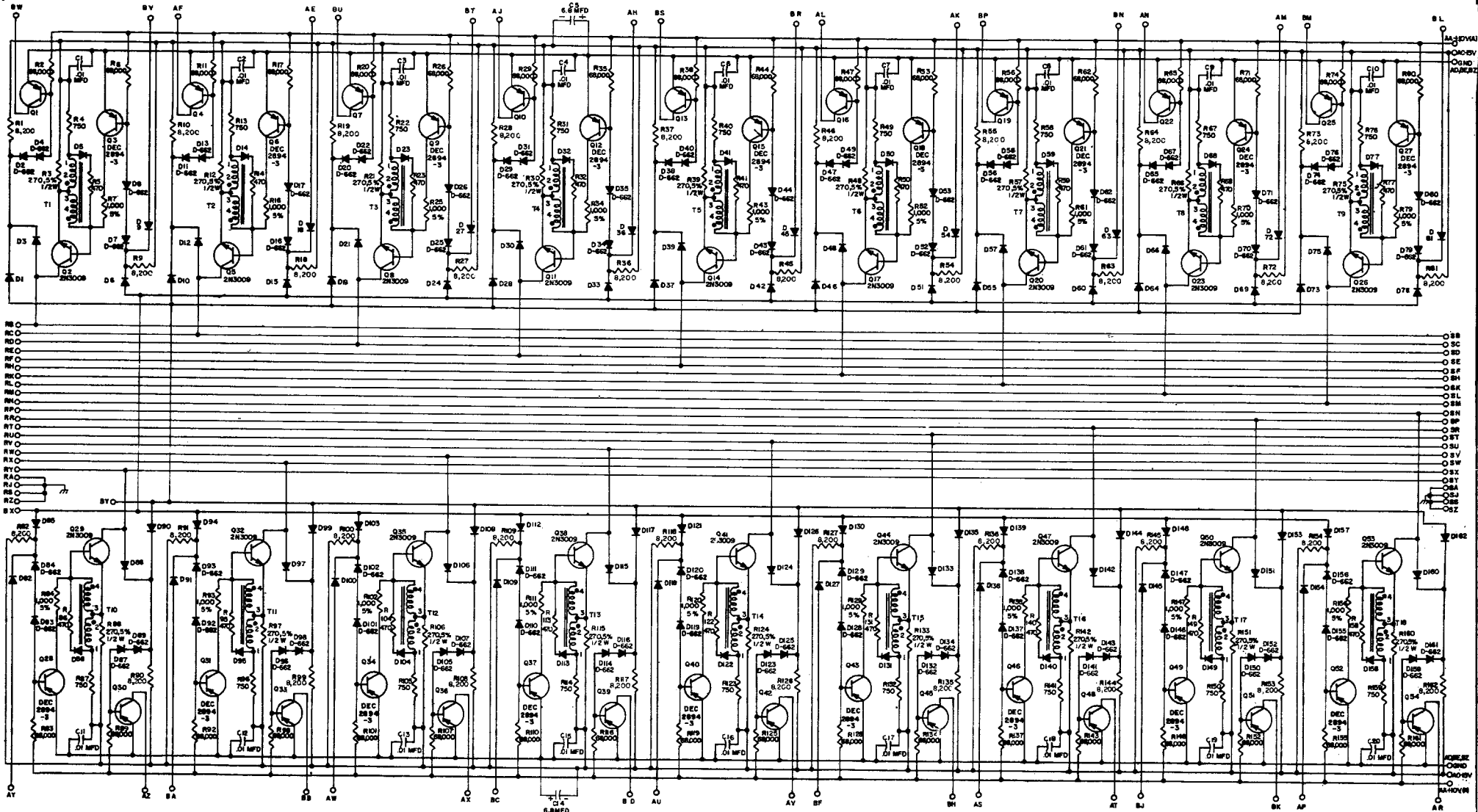
TRANSISTOR & DIODE CONVERSION CHART			
DEC	TX	DEC	TX
DEC 3639	2N3439		
DEC 3009	2N3009		
D-664	1N664		
D-662	1N662		
DEC 2894-3	DEC 2894		

NOTES

THIS SCHEMATIC IS FURNISHED ONLY FOR TEST AND MAINTENANCE PURPOSES. THE CIRCUITS ARE PROPRIETARY IN NATURE AND SHOULD BE TREATED ACCORDINGLY.
 COPYRIGHT 1963 BY DIGITAL EQUIPMENT CORPORATION

J	RS-C-1664	5
MEMORY BUS CONTROL 1664		

DIGITAL EQUIPMENT CORPORATION • MAYNARD, MASSACHUSETTS



UNLESS OTHERWISE INDICATED:
 TRANSFORMERS ARE T-2044
 DIODES ARE D-664
 RESISTORS ARE 1/4W, 10%
 TRANSISTORS ARE DEC 3639 0

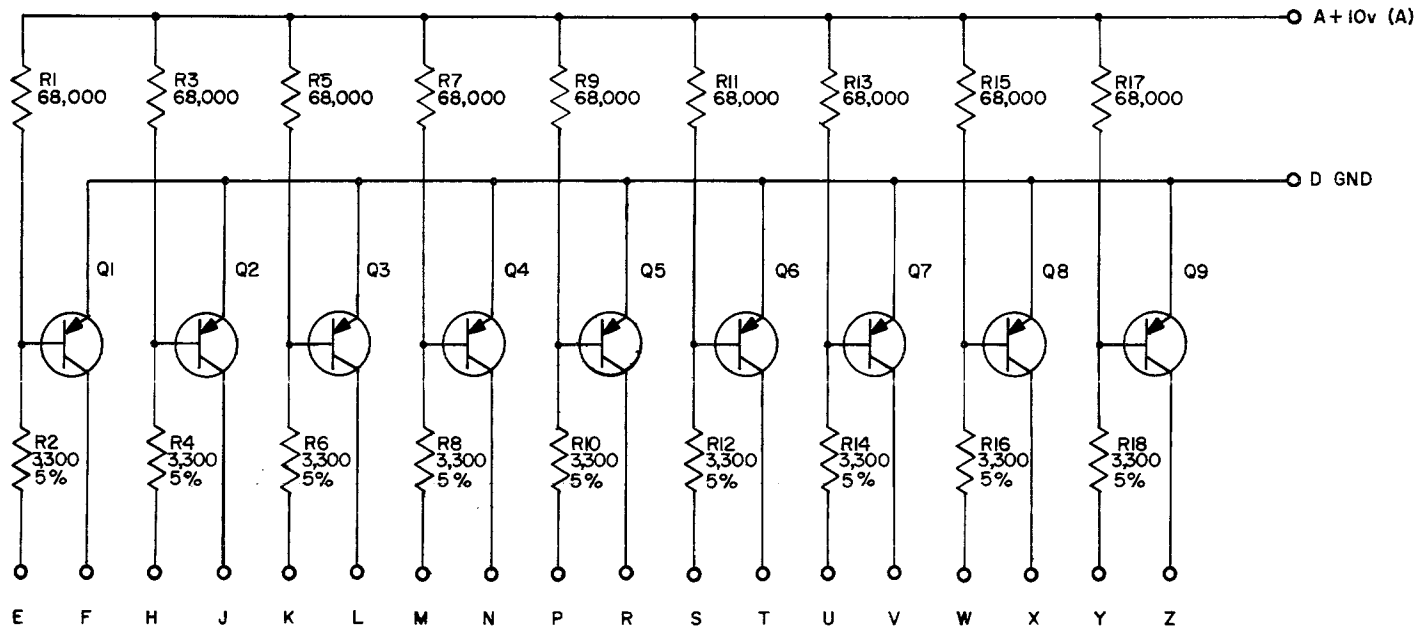
TRANSISTOR & DIODE CONVERSION CHART			
DEC	IX	DEC	IX
3639	3639		
D-664	D-664		
3639-1	3639		

NOTES

THIS SCHEMATIC IS FURNISHED ONLY FOR TEST AND MAINTENANCE PURPOSES. THE CIRCUITS ARE PROPRIETARY IN NATURE AND SHOULD BE TREATED ACCORDINGLY.

PULSED BUS TRANSMITTER #665		
B	RS-D-4885	2

RS-B-1669-5



UNLESS OTHERWISE INDICATED:
 RESISTORS ARE 1/4 W; 10%
 TRANSISTORS ARE 4JX1C741

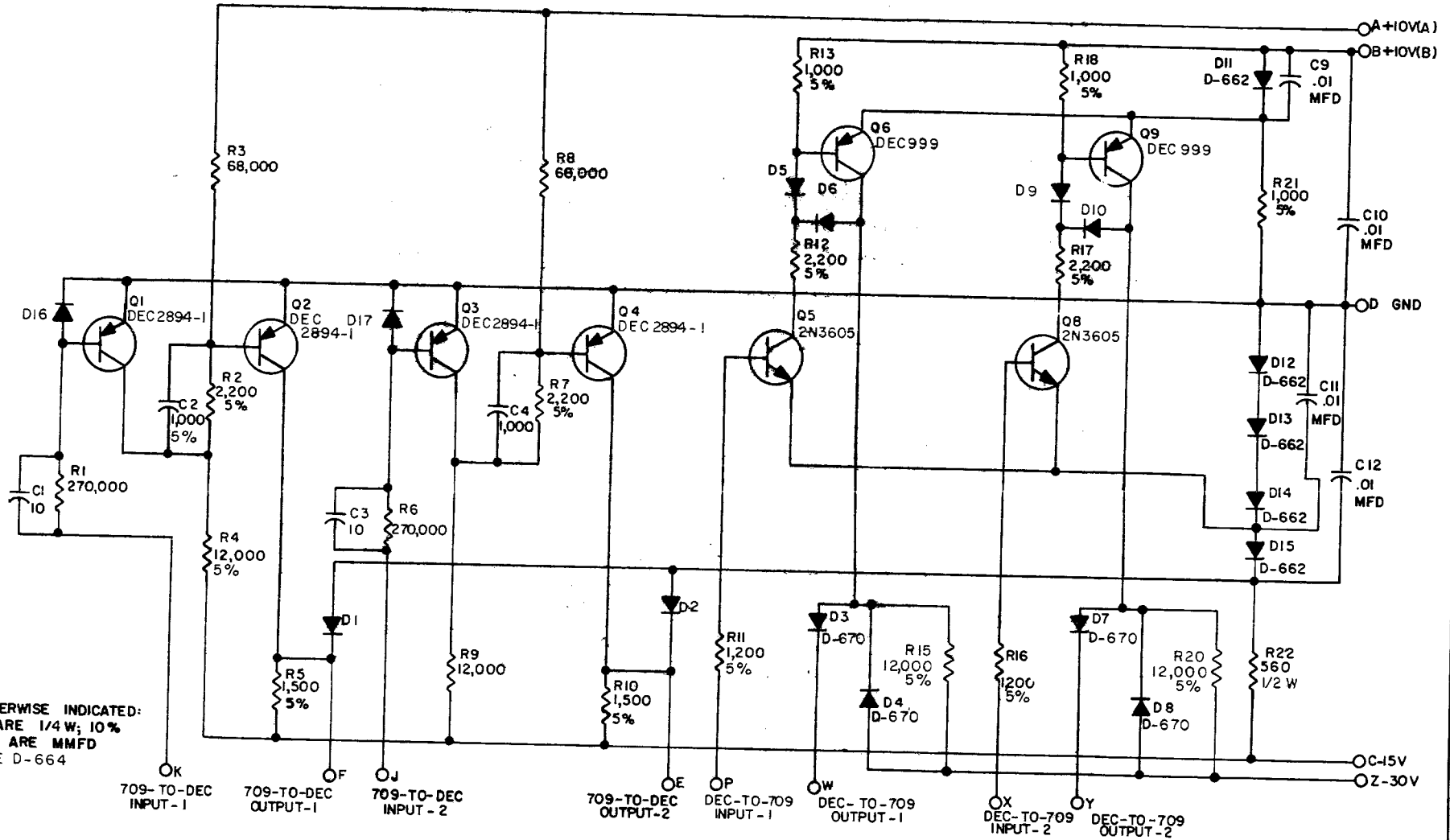
TRANSISTOR & DIODE CONVERSION CHART			
DEC	EIA	DEC	EIA
4JX1C741	2N527		

NOTES

THIS SCHEMATIC IS FURNISHED ONLY FOR TEST AND MAINTENANCE PURPOSES. THE CIRCUITS ARE PROPRIETARY IN NATURE AND SHOULD BE TREATED ACCORDINGLY.

COPYRIGHT 1963 BY DIGITAL EQUIPMENT CORPORATION

A B C D E F G H I J K L M N O P Q R S T U V W X Y Z											
A,B,C,D	RS-B-1669	5									
INDICATOR DRIVER 1669											



UNLESS OTHERWISE INDICATED:
RESISTORS ARE 1/4 W; 10%
CAPACITORS ARE MMFD
DIODES ARE D-664

TRANSISTOR & DIODE CONVERSION CHART			
DEC	EIA	DEC	EIA
DEC 2894-1	NONE	D-670	1N 3653
DEC 999	MM999		
2N3605	2N3605		
D-662	1N 645		
D-664	1N3606		

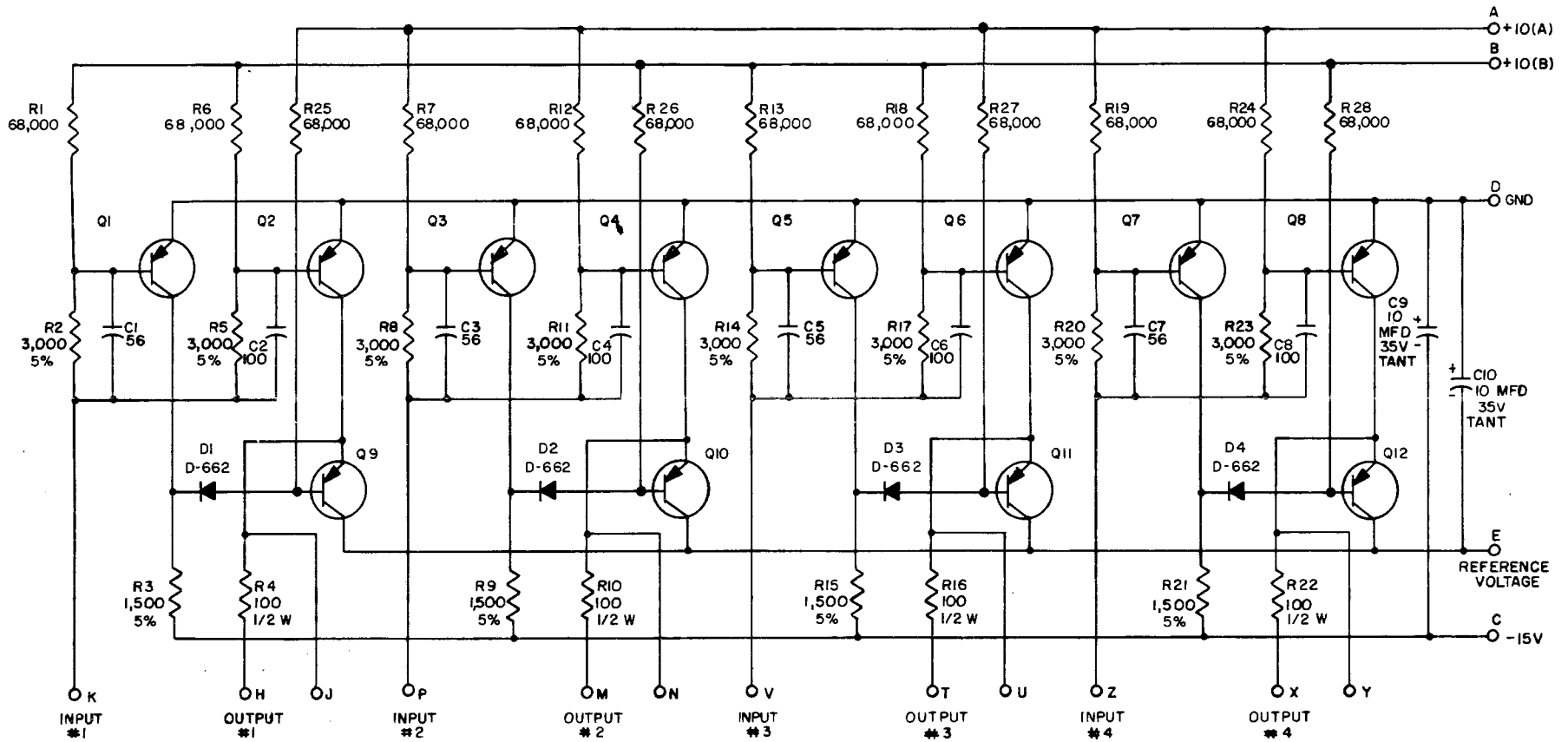
NOTES

THIS SCHEMATIC IS FURNISHED ONLY FOR TEST AND MAINTENANCE PURPOSES. THE CIRCUITS ARE PROPRIETARY IN NATURE AND SHOULD BE TREATED ACCORDINGLY.

COPYRIGHT 1963 BY DIGITAL EQUIPMENT CORPORATION

C			RS-1672			8		
709 CONVERTER 1672								

RS-B-1677-5



UNLESS OTHERWISE INDICATED:
 RESISTORS ARE 1/4 W; 10%
 CAPACITORS ARE MMFD
 TRANSISTORS ARE DEC2894-3

TRANSISTOR & DIODE CONVERSION CHART			
DEC	EIA	DEC	EIA
DEC2894-3	DEC2894		
D-662	1N645		

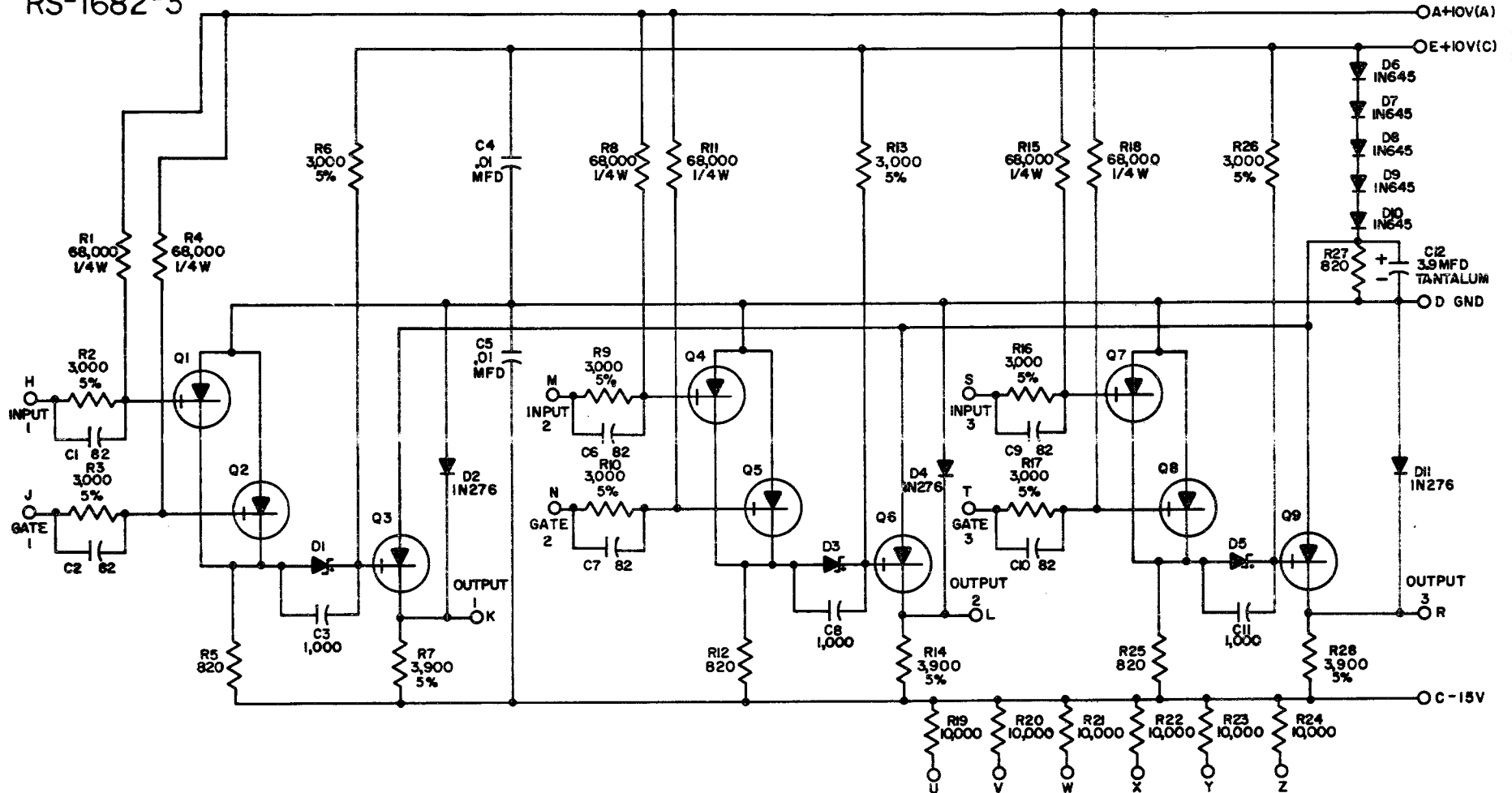
NOTES

THIS SCHEMATIC IS FURNISHED ONLY FOR TEST AND MAINTENANCE PURPOSES. THE CIRCUITS ARE PROPRIETARY IN NATURE AND SHOULD BE TREATED ACCORDINGLY.

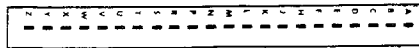
COPYRIGHT 1963 BY DIGITAL EQUIPMENT CORPORATION

< O U G U L E Z X Z A B C D > X > N		
.F	RS-B-1677	5
LEVEL AMPLIFIER 1677		

RS-1682-3



UNLESS OTHERWISE INDICATED:
 RESISTORS ARE 1/2 W, 10%
 CAPACITORS ARE MMFD
 Q1, Q2, Q4, Q5, Q7, Q8 ARE 2N1427
 Q3, Q6, Q9 ARE 2N1301
 D1, D3, AND D5 ARE TRANSITRON IN764 9.1V ± 10%

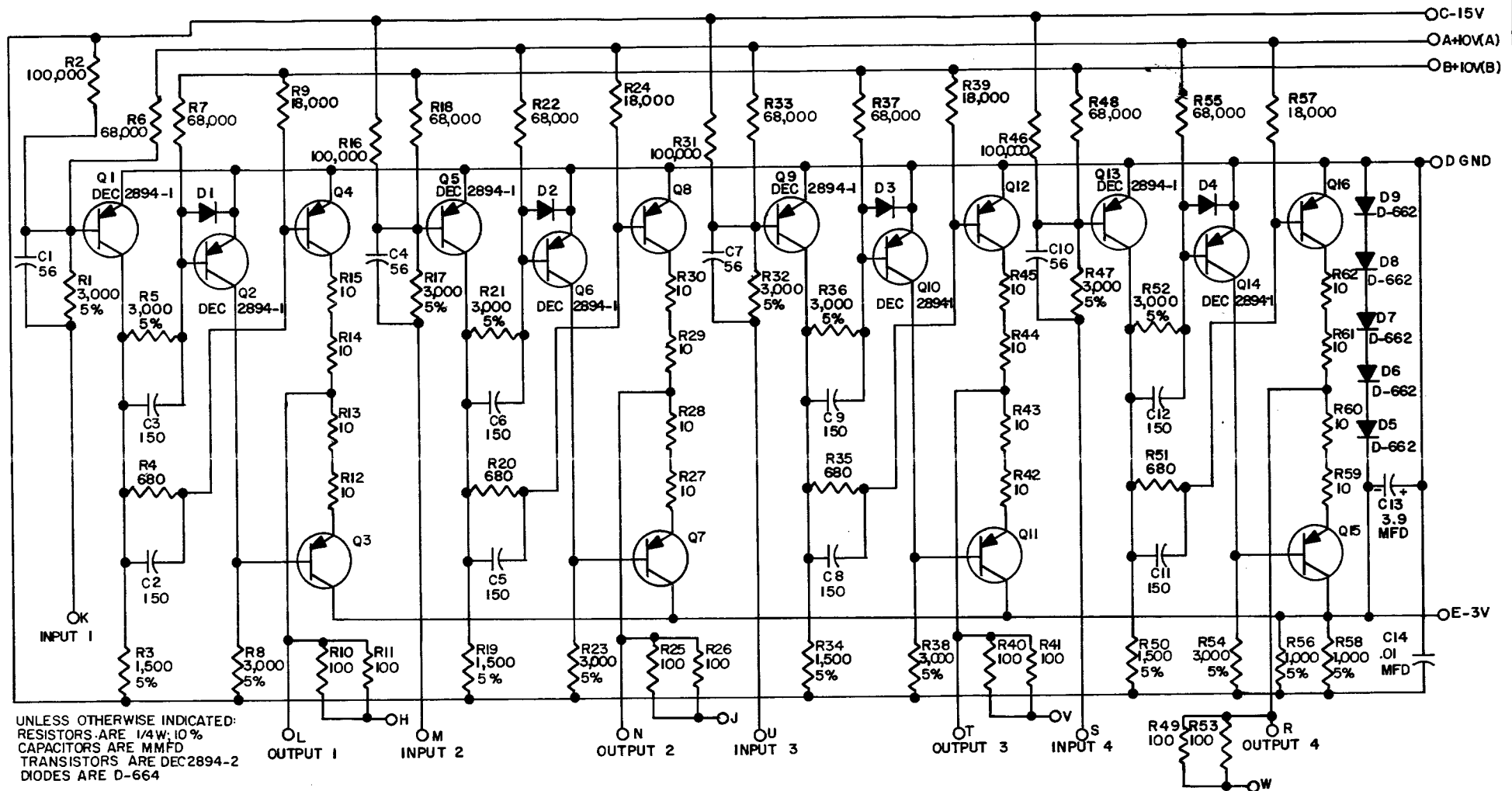


BUS DRIVER 1682 (A) RS-1682-3

THIS SCHEMATIC IS FURNISHED ONLY FOR TEST AND MAINTENANCE PURPOSES. THE CIRCUITS ARE PROPRIETARY IN NATURE AND SHOULD BE TREATED ACCORDINGLY.

COPYRIGHT 1961 BY DIGITAL EQUIPMENT CORPORATION

RS-B-1684-9



TRANSISTOR & DIODE CONVERSION CHART			
DEC	EIA	DEC	EIA
DEC 2894-1	DEC 2894		
DEC 2894-2	DEC 2894		
D-664	IN914		
D-662	IN645		

NOTES

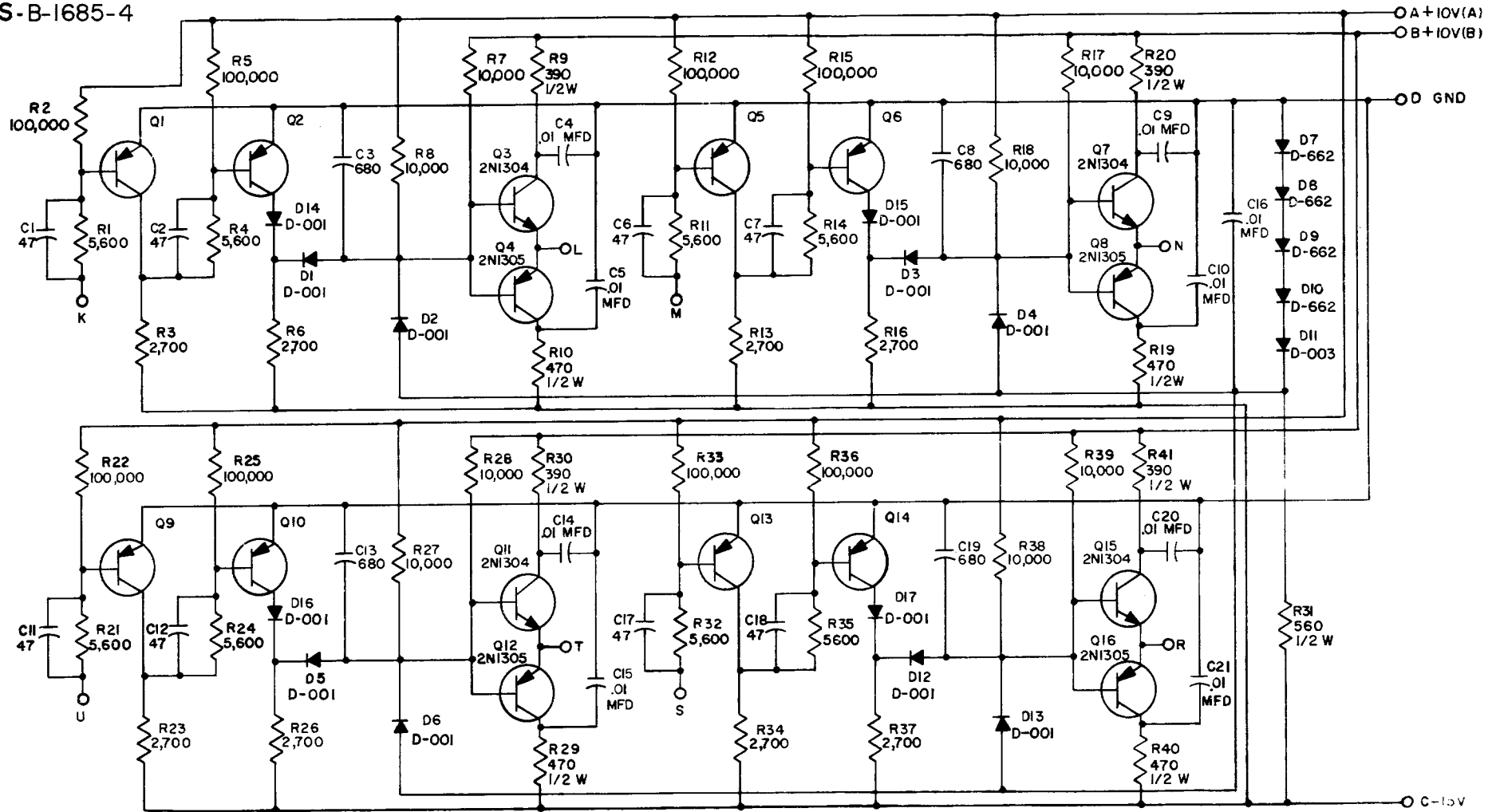
THIS SCHEMATIC IS FURNISHED ONLY FOR TEST AND MAINTENANCE PURPOSES. THE CIRCUITS ARE PROPRIETARY IN NATURE AND SHOULD BE TREATED ACCORDINGLY.

COPYRIGHT 1963 BY DIGITAL EQUIPMENT CORPORATION

A	B	C	D	E	F	G	H	I	J	K	L	M	N	O	P	Q	R	S	T	U	V	W	X	Y	Z
F												RS-B-1684						9							
BUS DRIVER 1684																									

DIGITAL EQUIPMENT CORPORATION • MAYNARD, MASSACHUSETTS

RS-B-1685-4



UNLESS OTHERWISE INDICATED:
 RESISTORS ARE 1/4 W; 10 %
 CAPACITORS ARE MMFD
 TRANSISTORS ARE DEC2894-1

TRANSISTOR & DIODE CONVERSION CHART			
DEC	EIA	DEC	EIA
DEC2894-1	DEC2894	D-662	IN645
2N1304	2N1304		
2N1305	2N1305		
D-001	IN276		
D-003	IN994		

NOTES

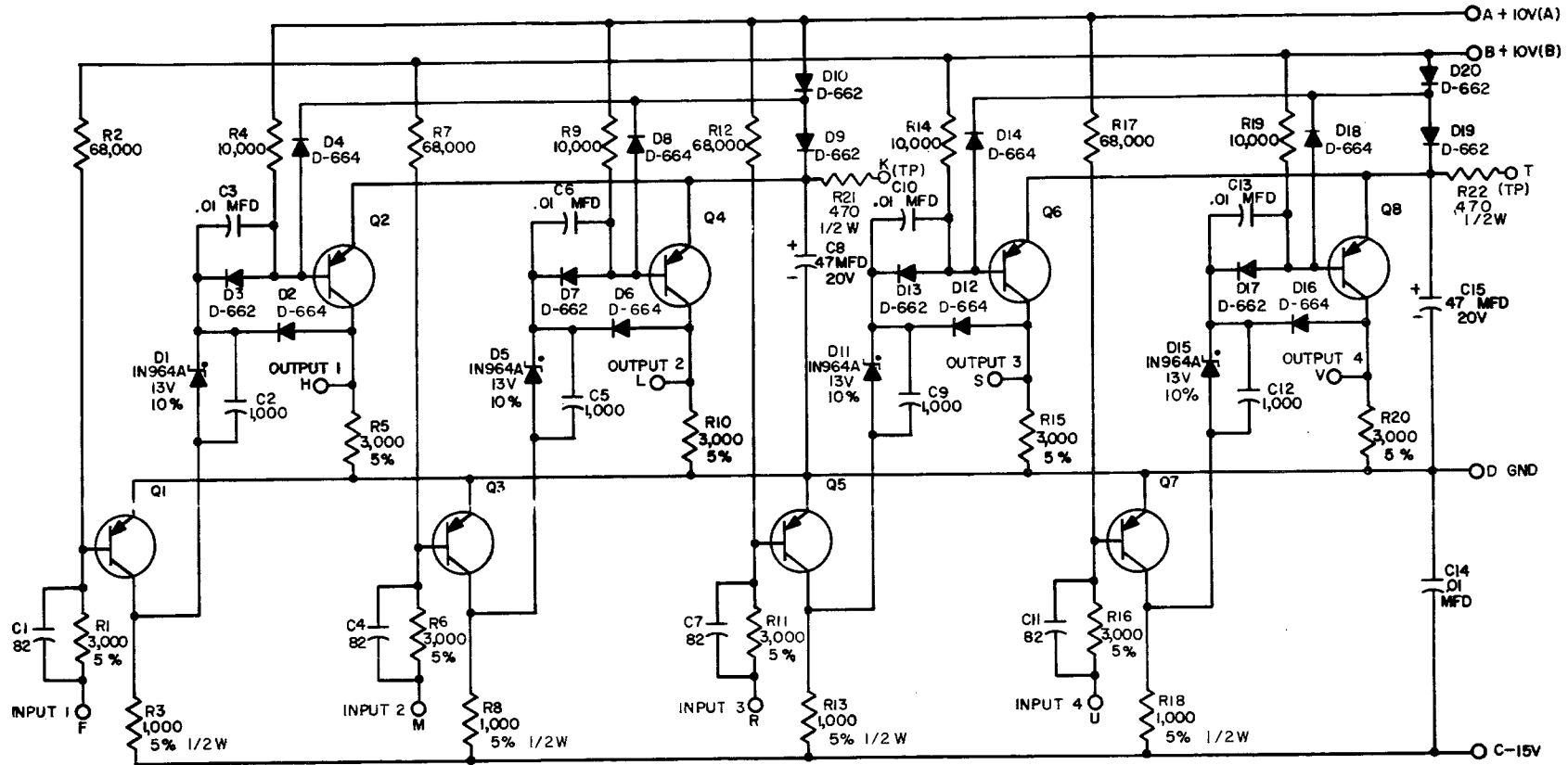
THIS SCHEMATIC IS FURNISHED ONLY FOR TEST AND MAINTENANCE PURPOSES. THE CIRCUITS ARE PROPRIETARY IN NATURE AND SHOULD BE TREATED ACCORDINGLY.

COPYRIGHT 1963 BY DIGITAL EQUIPMENT CORPORATION

A	B	C	D	E	F	G	H	I	J	K	L	M	N	O	P	Q	R	S	T	U	V	W	X	Y	Z
B										RS-B-1685										4					
BUS DRIVER 1685																									

DIGITAL EQUIPMENT CORPORATION • MAYNARD, MASSACHUSETTS

RS-1689-3



UNLESS OTHERWISE INDICATED:
 RESISTORS ARE 1/4 W; 10%
 CAPACITORS ARE MMFD
 TRANSISTORS ARE DEC 2894-3

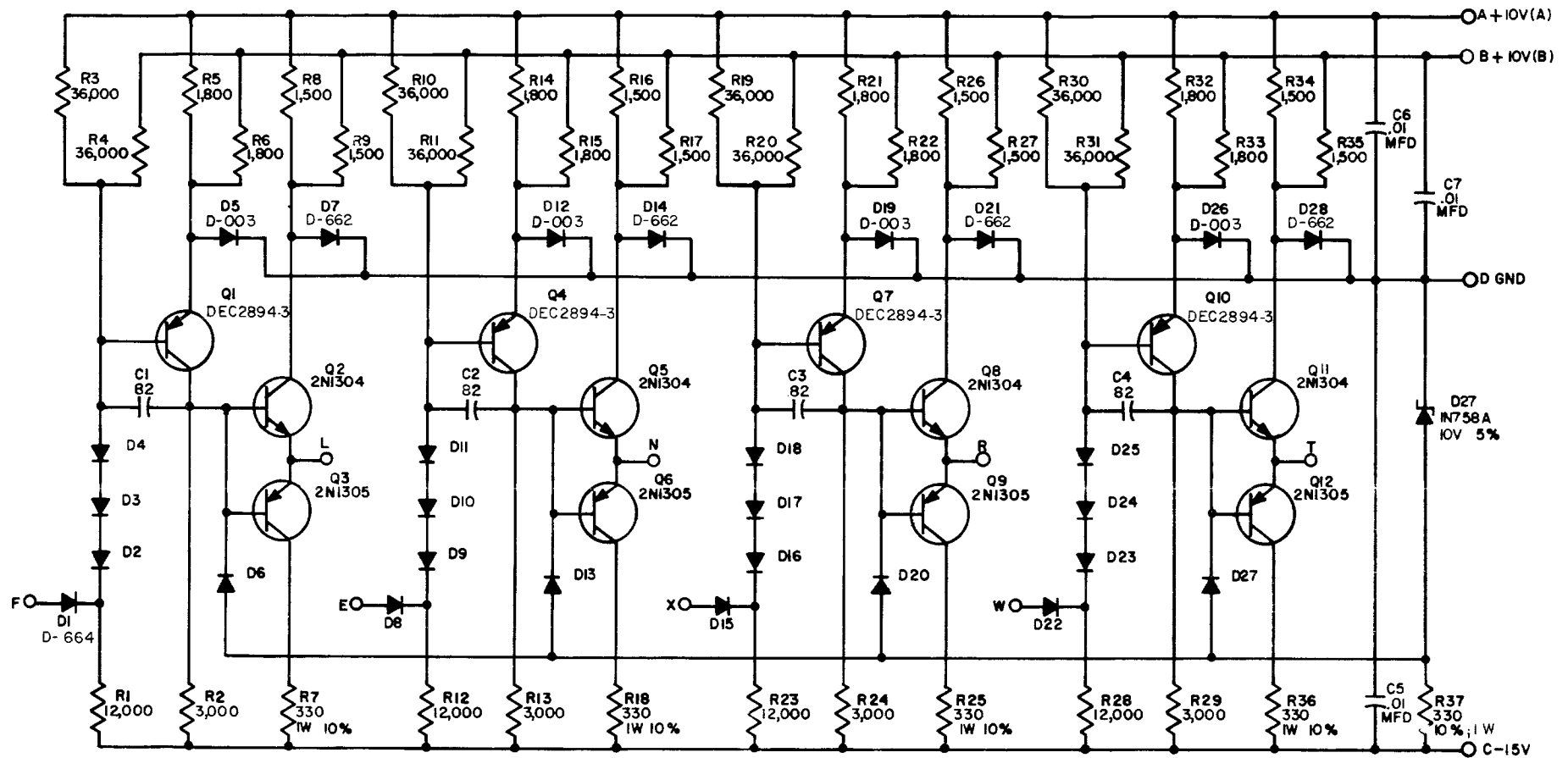
TRANSISTOR & DIODE CONVERSION CHART			
DEC	EIA	DEC	EIA
D-662	IN645		
D-664	IN914		
IN964A	IN964A		
DEC 2894-3	NONE		

NOTES

THIS SCHEMATIC IS FURNISHED ONLY FOR TEST AND MAINTENANCE PURPOSES. THE CIRCUITS ARE PROPRIETARY IN NATURE AND SHOULD BE TREATED ACCORDINGLY.
 COPYRIGHT 1963 BY DIGITAL EQUIPMENT CORPORATION

< 0 1 2 3 4 5 6 7 8 9 A B C D E F G H I J K L M N O P Q R S T U V W X Y Z >		
C	RS-1689	3
DEC 7090 CONVERTER 1689		

DIGITAL EQUIPMENT CORPORATION • MAYNARD, MASSACHUSETTS



UNLESS OTHERWISE INDICATED:
 RESISTORS ARE 1/4 W; 5%
 CAPACITORS ARE MMFD
 DIODES ARE D-664

TRANSISTOR & DIODE CONVERSION CHART			
DEC	EIA	DEC	EIA
DEC 2894-3	NONE	D-003	1N994
2N1305	2N1305	IN758A	IN758A
2N1304	2N1304		
D-662	1N645		
D-664	1N3606		

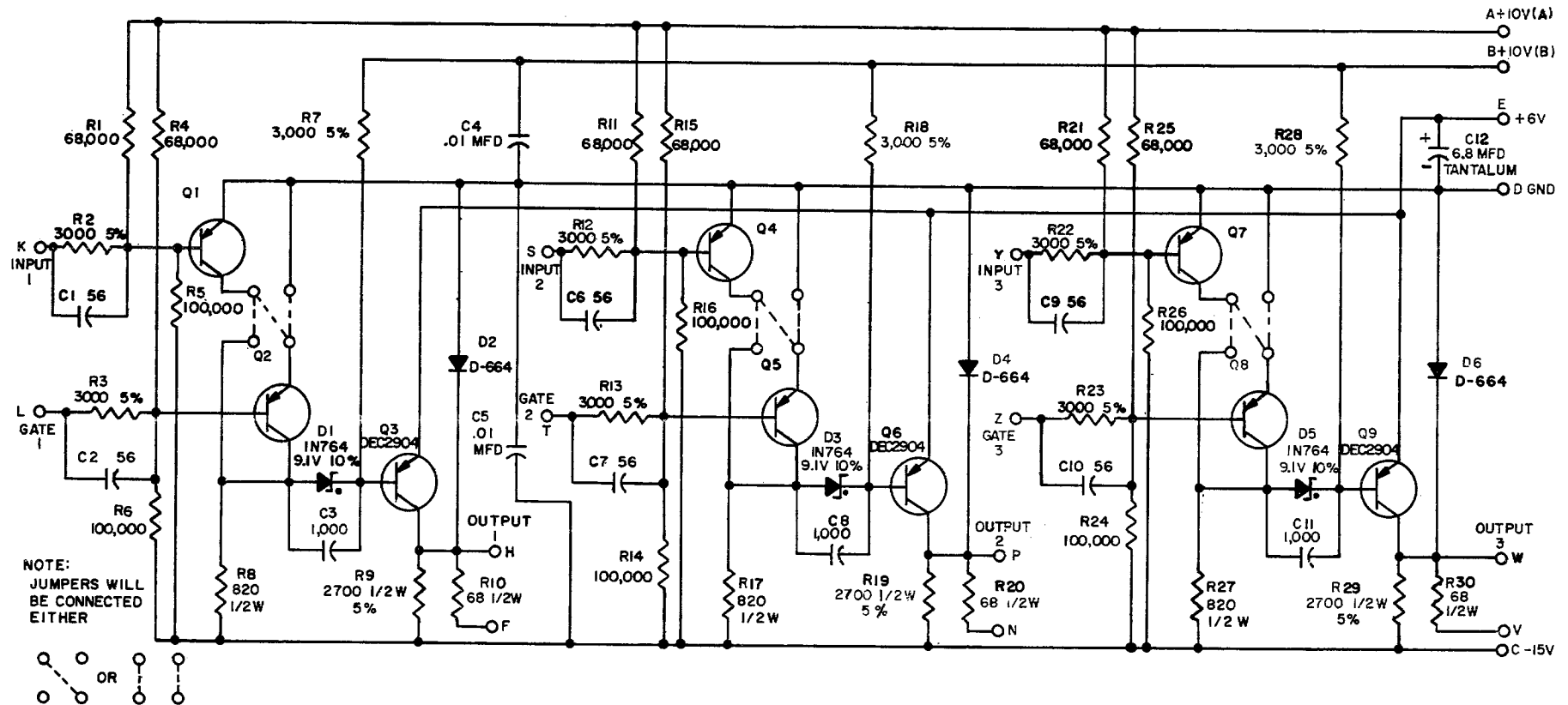
NOTES

THIS SCHEMATIC IS FURNISHED ONLY FOR TEST AND MAINTENANCE PURPOSES. THE CIRCUITS ARE PROPRIETARY IN NATURE AND SHOULD BE TREATED ACCORDINGLY.

COPYRIGHT 1963 BY DIGITAL EQUIPMENT CORPORATION

A	B	C	D	E	F	G	H	I	J	K	L	M	N	O	P	Q	R	S	T	U	V	W	X	Y	Z
B												RS-1691						6							
BUS DRIVER 1691																									

RS-B-1692-2



NOTE:
JUMPERS WILL
BE CONNECTED
EITHER

UNLESS OTHERWISE INDICATED:
RESISTORS ARE 1/4W, 10%
CAPACITORS ARE MMFD.
TRANSISTORS ARE DEC 2894-2

TRANSISTOR & DIODE CONVERSION CHART		DEC	EIA
DEC 2894-2	DEC 2894		
DEC2904	DEC2904		
IN764	IN764		
D-664	IN3605		

NOTES

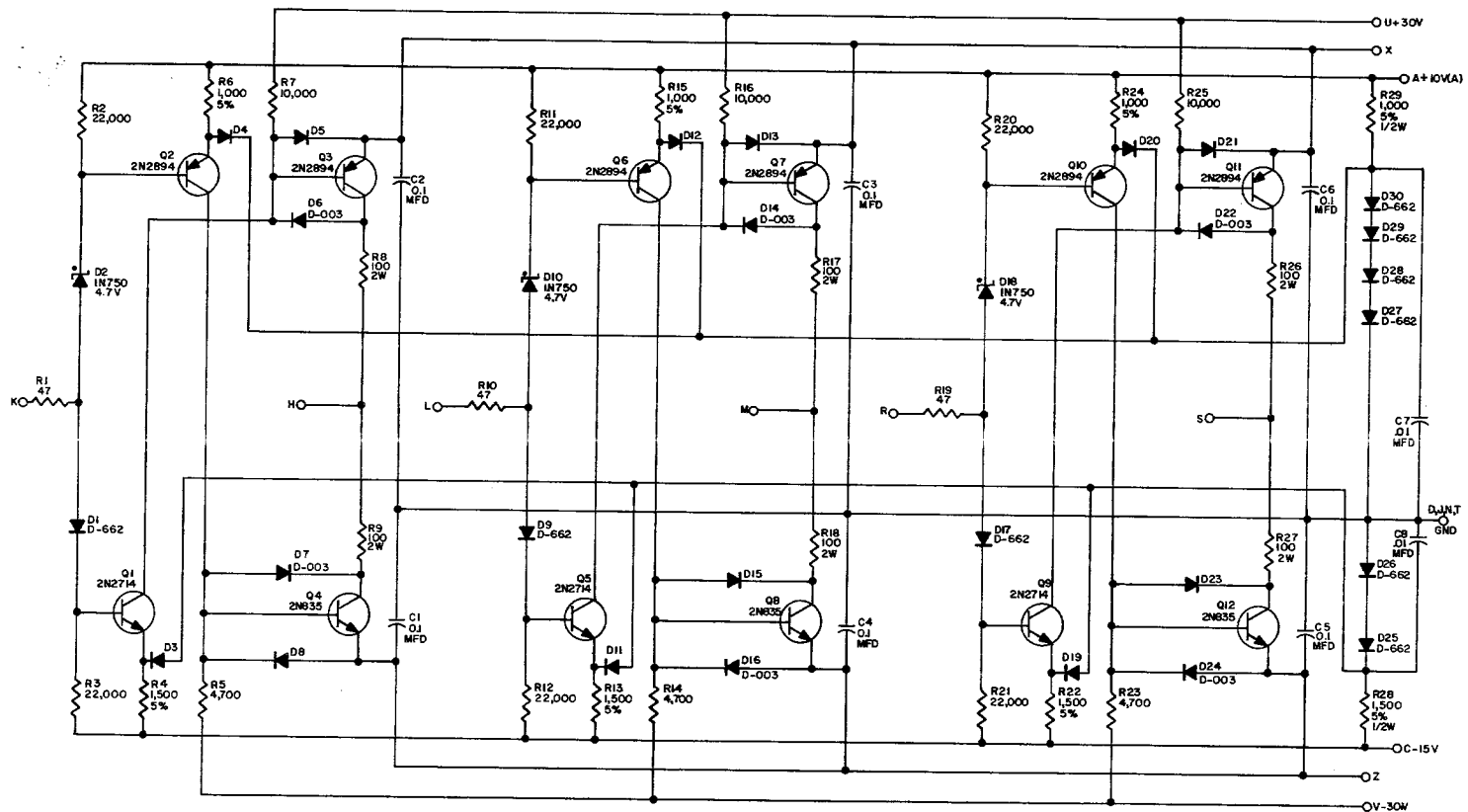
THIS SCHEMATIC IS FURNISHED ONLY FOR TEST AND MAINTENANCE PURPOSES. THE CIRCUITS ARE PROPRIETARY IN NATURE AND SHOULD BE TREATED ACCORDINGLY.

COPYRIGHT 1963 BY DIGITAL EQUIPMENT CORPORATION

D R5-B-1692 2		
BUS DRIVER 1692		

DIGITAL EQUIPMENT CORPORATION • MAYNARD, MASSACHUSETTS

RS-C-1693



UNLESS OTHERWISE INDICATED:
RESISTORS ARE 1/4W, 10%
DIODES ARE D-664

TRANSISTOR & DIODE CONVERSION CHART			
DEC.	EIA	DEC.	EIA
2N2714	2N2706	1N1750	1N1750
2N2894	2N2894	2N835	2N835
D-003	1N994		
D-662	1N662		
D-664	1N664		

NOTES

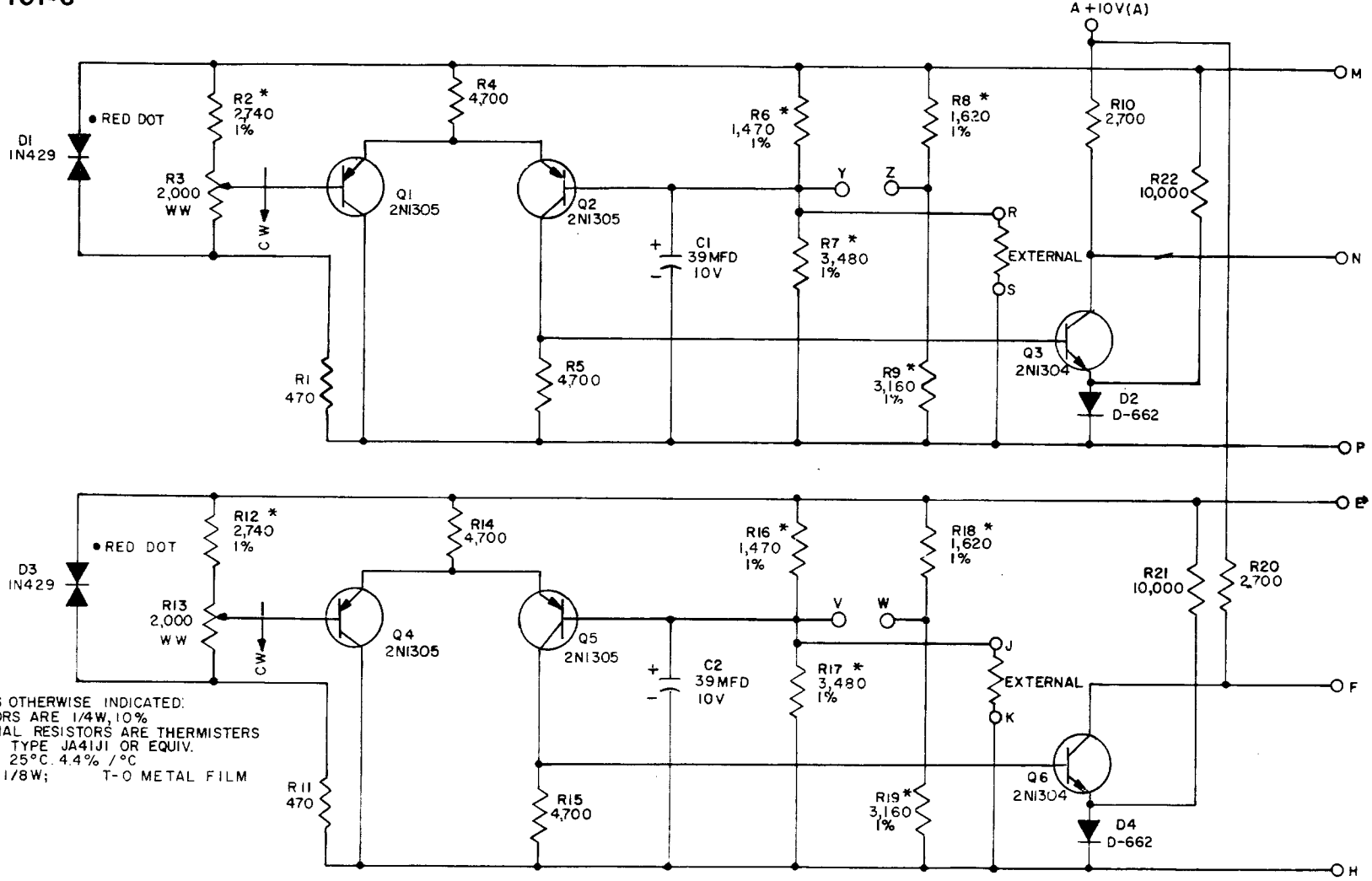
THIS SCHEMATIC IS FURNISHED ONLY FOR TEST AND MAINTENANCE PURPOSES. THE CIRCUITS ARE PROPRIETARY IN NATURE AND SHOULD BE TREATED ACCORDINGLY.

COPYRIGHT 1963 BY DIGITAL EQUIPMENT CORPORATION

A		RS-C-1693
		BUS DRIVER 1693

DIGITAL EQUIPMENT CORPORATION • MAYNARD, MASSACHUSETTS

RS-B-1701-6



UNLESS OTHERWISE INDICATED:
 RESISTORS ARE 1/4W, 10%
 EXTERNAL RESISTORS ARE THERMISTERS
 FENWAL TYPE JA41J1 OR EQUIV.
 10K AT 25°C. 4.4% / °C
 * ARE 1/8W; T-O METAL FILM

TRANSISTOR & DIODE CONVERSION CHART			
DEC	EIA	DEC	EIA
2N1304	2N504		
2N1305	2N1305		
1N429	1N429		
D-662	1N662		

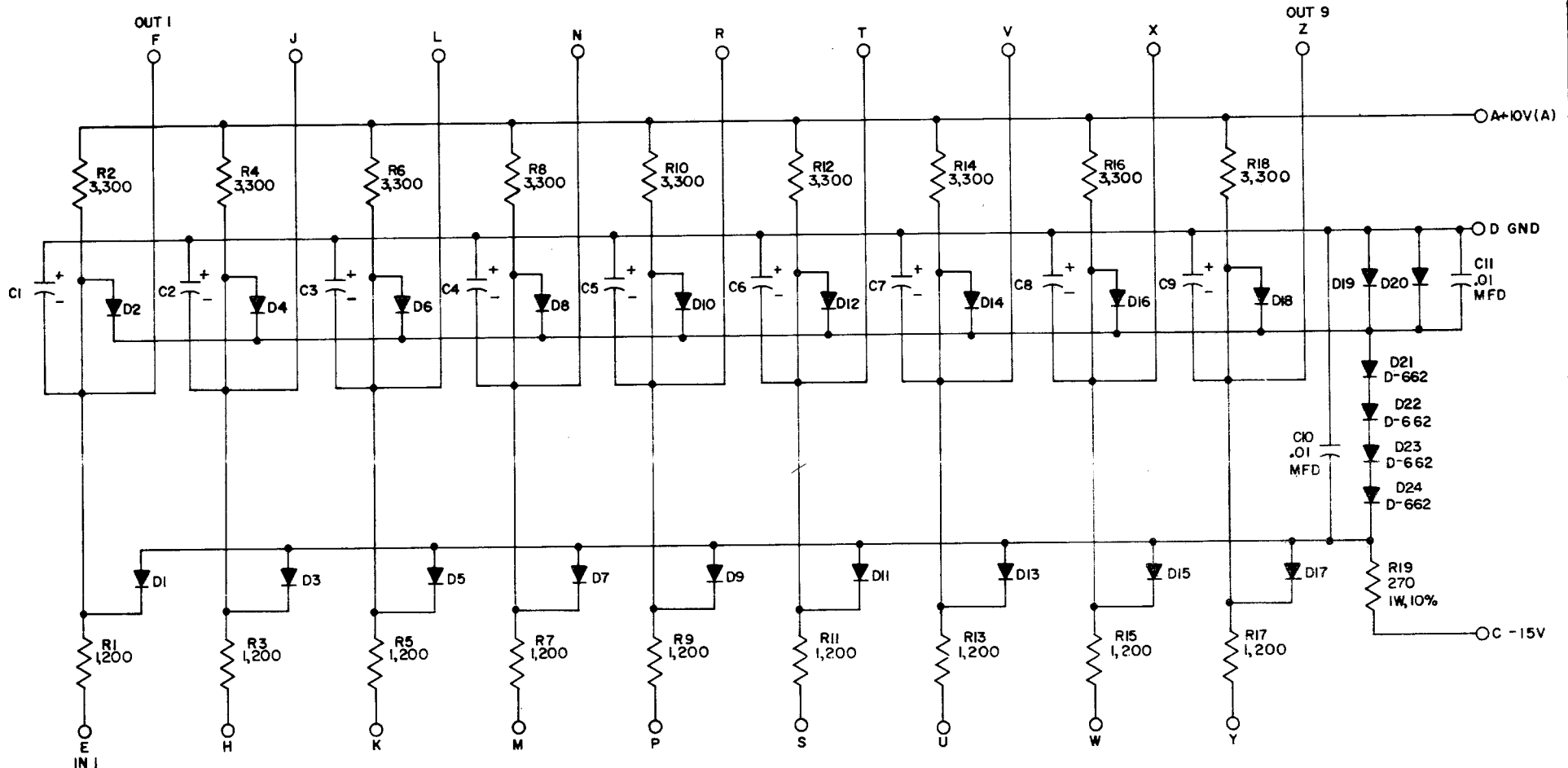
NOTES

THIS SCHEMATIC IS FURNISHED ONLY FOR TEST AND MAINTENANCE PURPOSES. THE CIRCUITS ARE PROPRIETARY IN NATURE AND SHOULD BE TREATED ACCORDINGLY.

COPYRIGHT 1963 BY DIGITAL EQUIPMENT CORPORATION

E RS-B-1701 6		
POWER SUPPLY CONTROL 1701		

RS-B-1703-8



UNLESS OTHERWISE INDICATED:
 RESISTORS ARE 1/4W, 5%
 PUT 6MFD CAPACITORS ON EYELETS
 DIODES ARE D-007
 C1-C9 ARE 6.8 MFD, 35V, TANT.

TRANSISTOR & DIODE CONVERSION CHART			
DEC	EIA	DEC	EIA
D-007	IN277		
D-662	IN648		

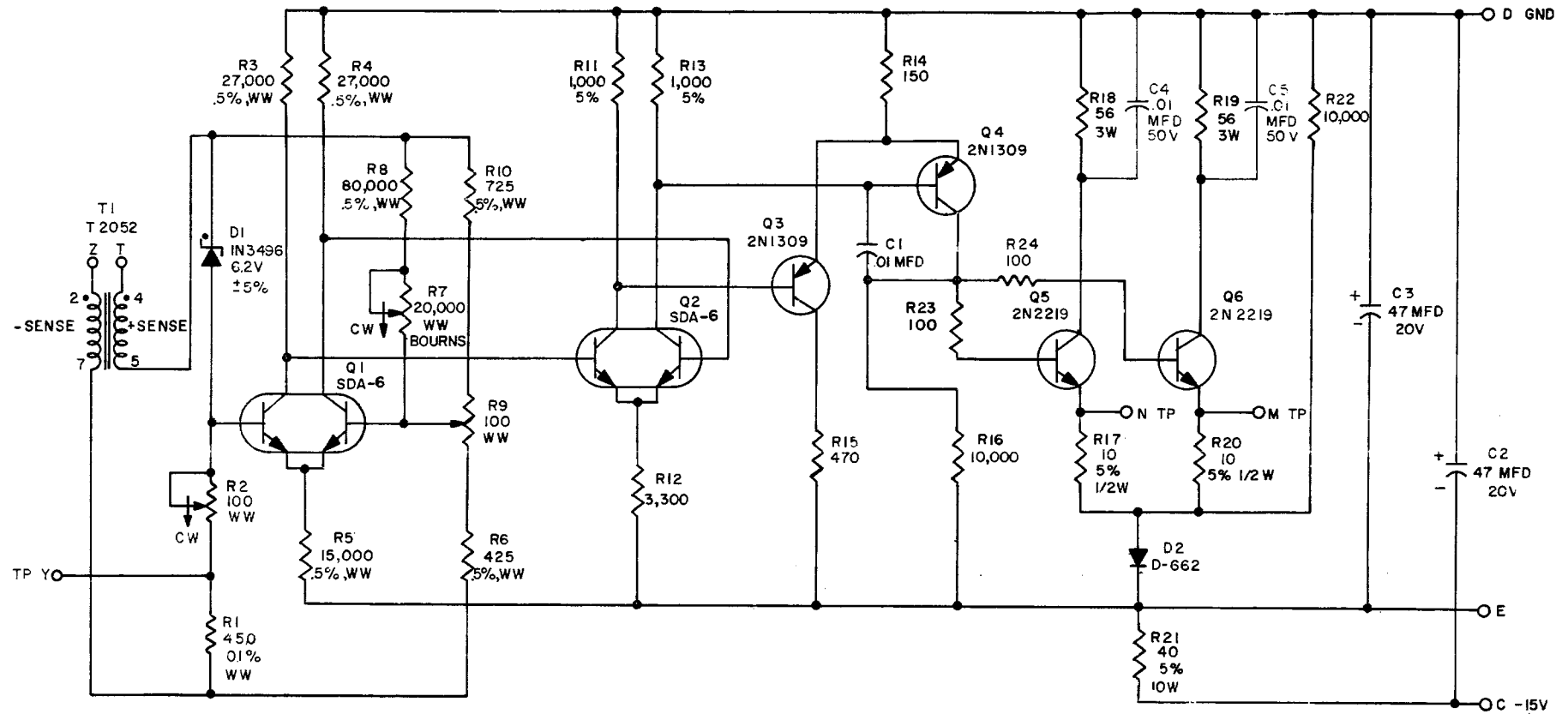
NOTES

THIS SCHEMATIC IS FURNISHED ONLY FOR TEST AND MAINTENANCE PURPOSES. THE CIRCUITS ARE PROPRIETARY IN NATURE AND SHOULD BE TREATED ACCORDINGLY.

COPYRIGHT 1963 BY DIGITAL EQUIPMENT CORPORATION

A B C D E F G H I J K L M N O P Q R S T U V W X Y Z		
C	RS-B-1703	8
SWITCH FILTER 1703		

RS-B-1704-6



UNLESS OTHERWISE INDICATED:
 RESISTORS ARE 1/4 W, 10%
 R10, R6 AND R1 ARE DAVEN 3 PPM TYPE 1195
 R3, R4, R5 AND R8 ARE DAVEN 20 PPM TYPE 1283
 R2, R9, ARE 50 PPM DAYSTRUM TRANSITRIM

TRANSISTOR & DIODE CONVERSION CHART	
DEC	EIA
SDA-6	2N2060
2N1309	2N1309
2N2219	2N2219
D-662	1N645
IN3496	IN3496

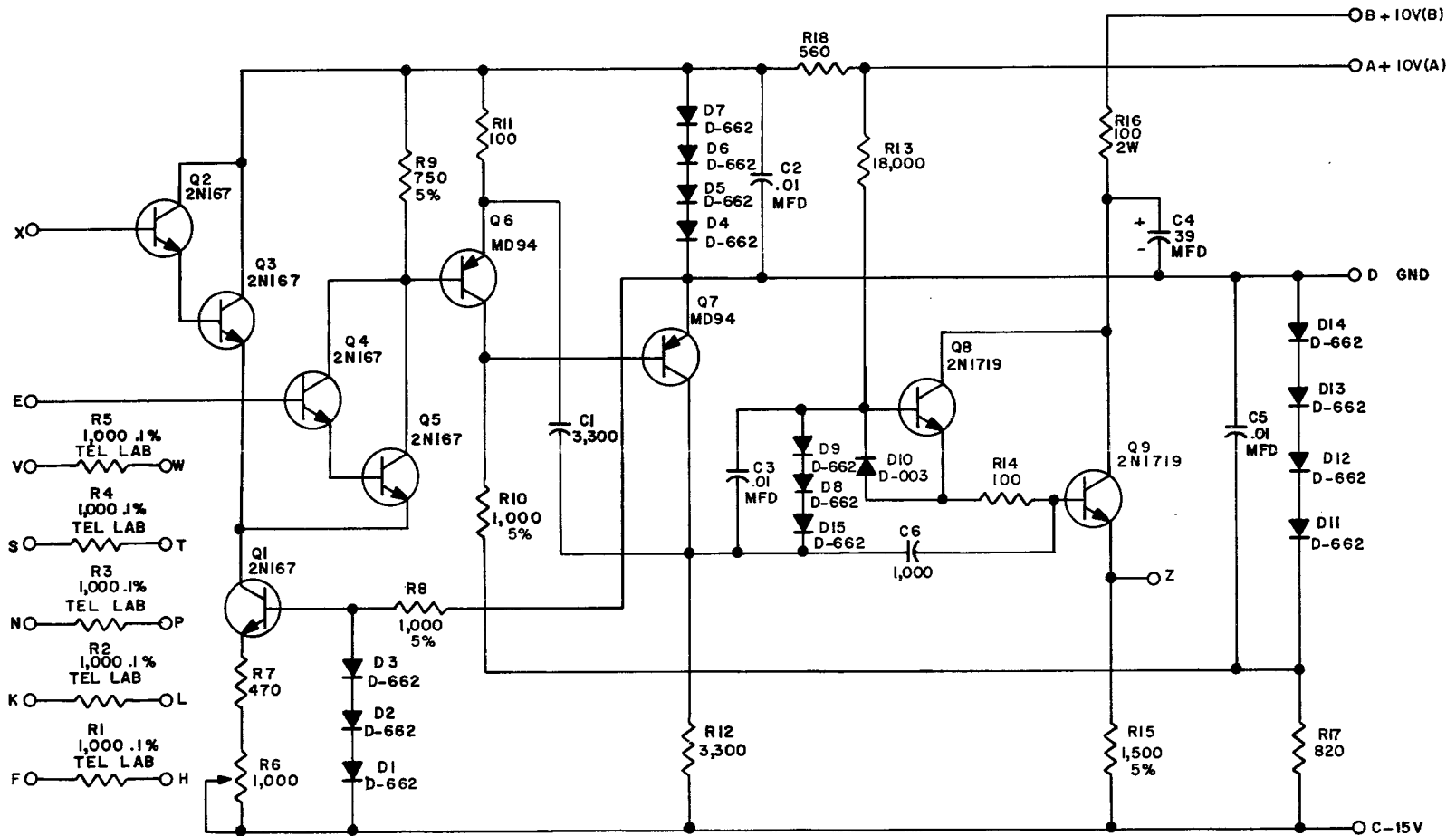
NOTES

THIS SCHEMATIC IS FURNISHED ONLY FOR TEST AND MAINTENANCE PURPOSES. THE CIRCUITS ARE PROPRIETARY IN NATURE AND SHOULD BE TREATED ACCORDINGLY.

COPYRIGHT 1963 BY DIGITAL EQUIPMENT CORPORATION

< A B C D E F G H I J K L M N O P Q R S T U V W X Y Z >		
E	RS-B-1704	6
-10V PRECISION POWER SUPPLY 1704		

RS-B-1706-2



UNLESS OTHERWISE INDICATED:
RESISTORS ARE 1/2 W; 10%
CAPACITORS ARE MMFD

TRANSISTOR & DIODE CONVERSION CHART			
DEC	EIA	DEC	EIA
MD94	2N2488		
2N167	2N167		
2N1719	2N1719		
D-003	1N994		
D-662	1N645		

NOTES

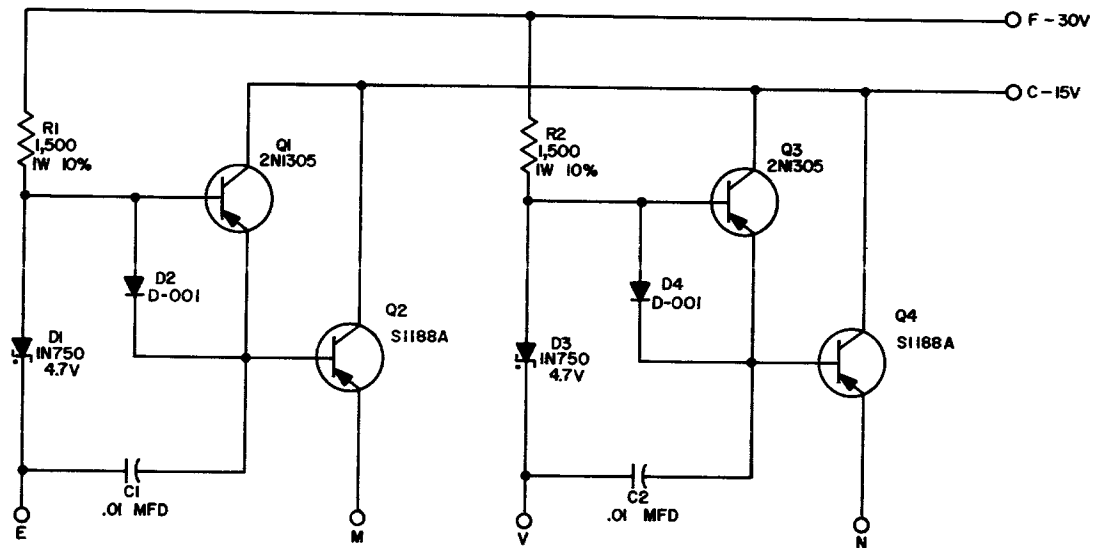
THIS SCHEMATIC IS FURNISHED ONLY FOR TEST AND MAINTENANCE PURPOSES. THE CIRCUITS ARE PROPRIETARY IN NATURE AND SHOULD BE TREATED ACCORDINGLY.

COPYRIGHT 1963 BY DIGITAL EQUIPMENT CORPORATION

C R S B I 7 0 6		
C	RS-B-1706	2
POWER DC AMPLIFIER 1706		

DIGITAL EQUIPMENT CORPORATION • MAYNARD, MASSACHUSETTS

RS-B-1707-1



TRANSISTOR & DIODE CONVERSION CHART			
DEC	EIA	DEC	EIA
S1188A	S1188A		
2N1305	2N1305		
D-001	1N276		
1N750 4.7V	1N750 4.7V		

NOTES

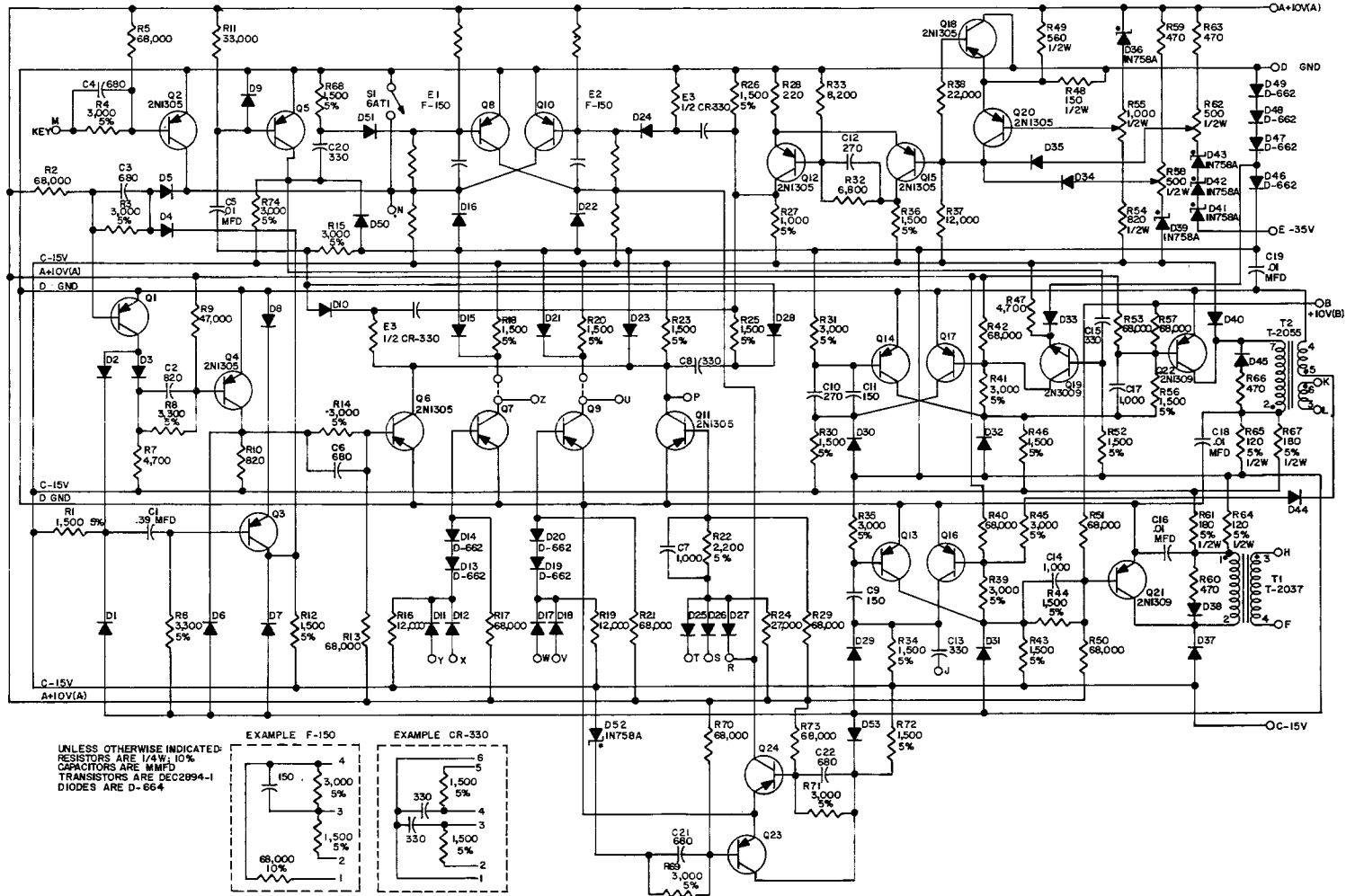
THIS SCHEMATIC IS FURNISHED ONLY FOR TEST AND MAINTENANCE PURPOSES. THE CIRCUITS ARE PROPRIETARY IN NATURE AND SHOULD BE TREATED ACCORDINGLY.

COPYRIGHT 1965 BY DIGITAL EQUIPMENT CORPORATION

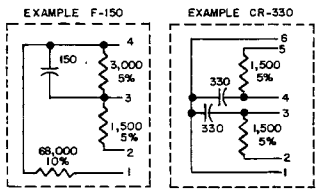
A B C D E F G H I J K L M N O P Q R S T U V W X Y Z																									
B										RS-B-1707										I					
MULTIPLIER BIAS SUPPLIER 1707																									

DIGITAL EQUIPMENT CORPORATION • MAYNARD, MASSACHUSETTS

RS-C-1710



UNLESS OTHERWISE INDICATED:
RESISTORS ARE 1/4W, 10%
CAPACITORS ARE M/MFD
TRANSISTORS ARE DEC2894-1
DIODES ARE D-664



DEC	EIA	DEC	EIA
DEC2894-1	DEC2894	D-662	IN645
2N1305	2N1305	D-664	IN3604
2N1309	2N1309	IN758A	IN758A
2N1309	2N1309		50V

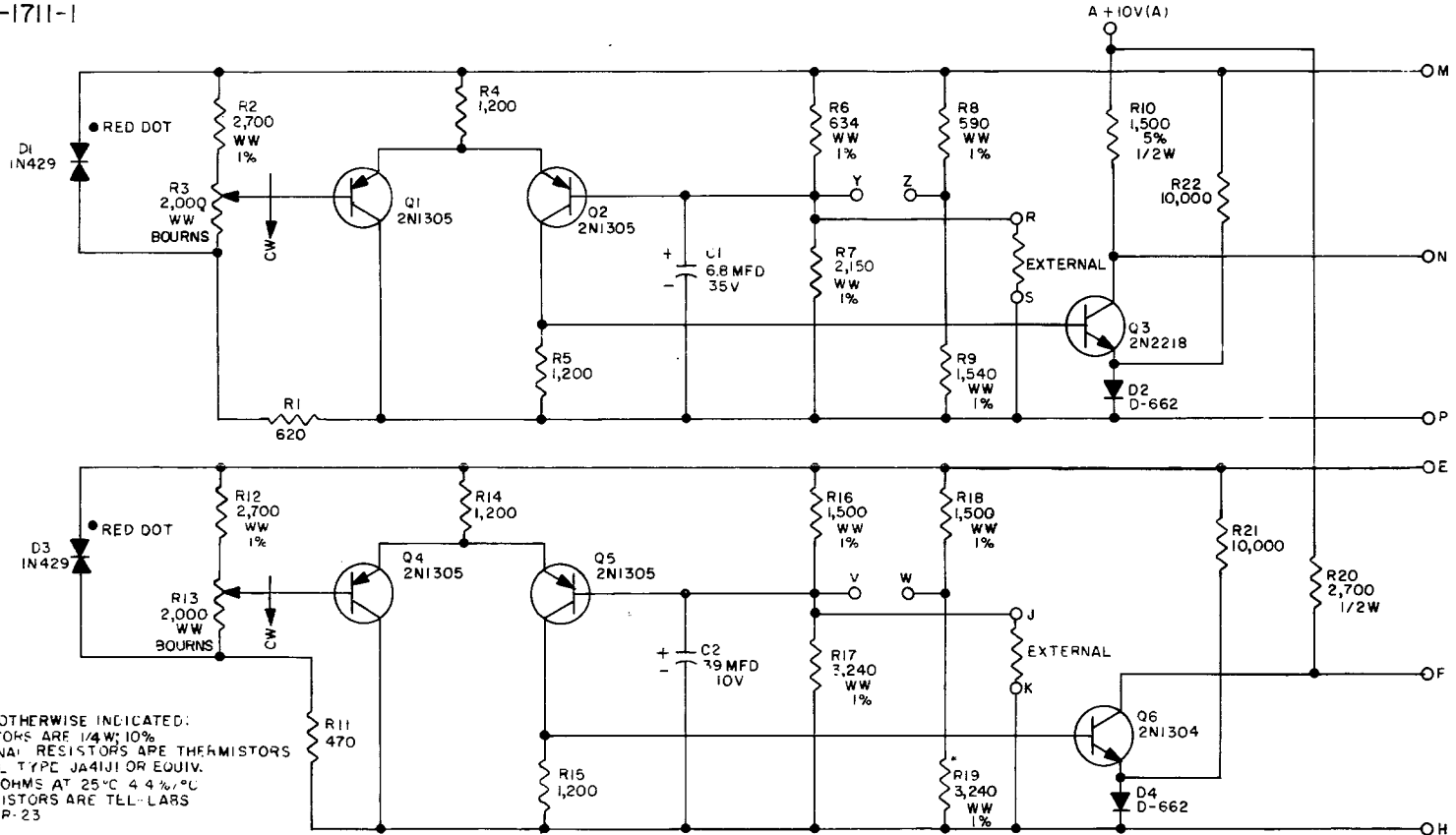
NOTES

THIS SCHEMATIC IS FURNISHED ONLY FOR TEST AND MAINTENANCE PURPOSES. THE CIRCUITS ARE PROPRIETARY IN NATURE AND SHOULD BE TREATED ACCORDINGLY.

COPYRIGHT 1964 BY DIGITAL EQUIPMENT CORPORATION

A RS-C-1710	
POWER MONITOR 1710	

RS-B-1711-1



UNLESS OTHERWISE INDICATED:
 RESISTORS ARE 1/4W; 10%
 EXTERNAL RESISTORS ARE THERMISTORS
 FENVAL TYPE JA41J1 OR EQUIV.
 10,000 OHMS AT 25°C 4.4%/°C
 1% RESISTORS ARE TELL-LABS
 TYPE CP-23

USE ETCHED BOARD OF THE 1701

TRANSISTOR & DIODE CONVERSION CHART			
DEC	EIA	DEC	EIA
2N1305	2N1305		
2N1304	2N1304		
2N2218	2N2218		
D-662	1N645		
1N429*	1N429*		

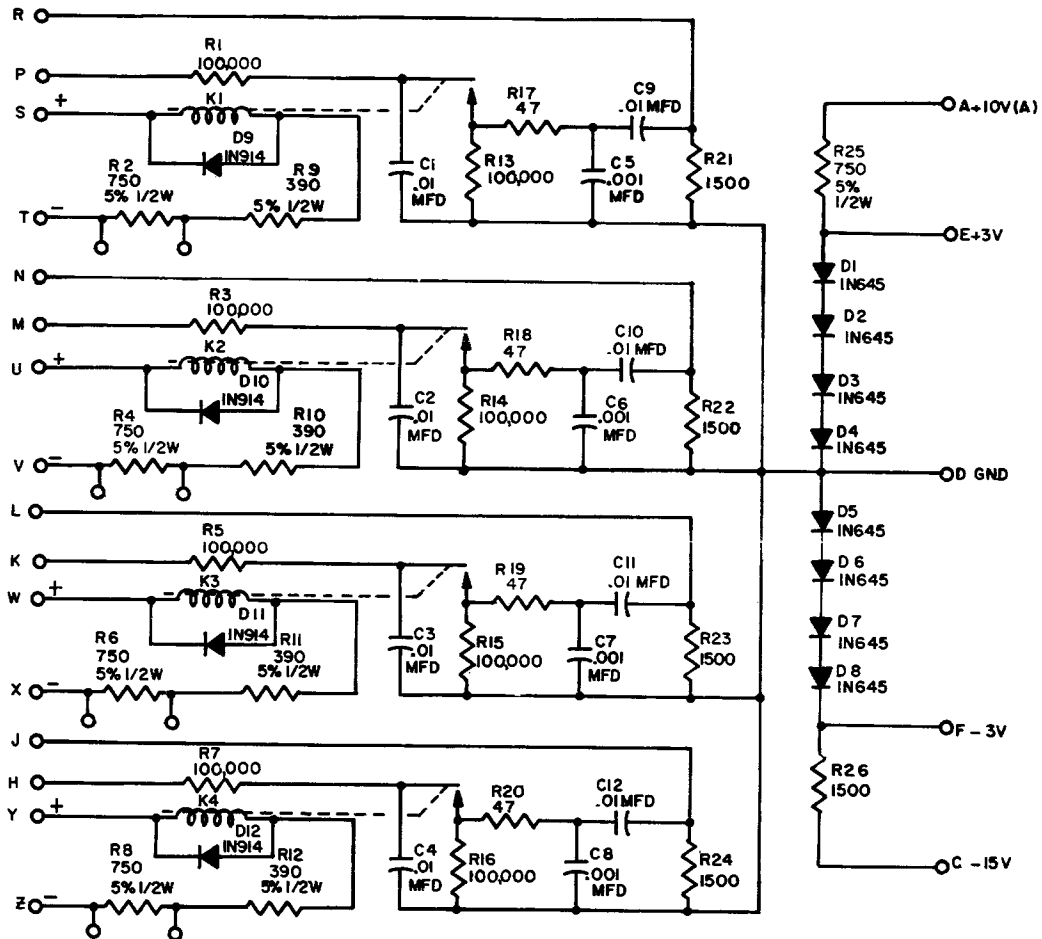
NOTES *6.2V 5%

THIS SCHEMATIC IS FURNISHED ONLY FOR TEST AND MAINTENANCE PURPOSES. THE CIRCUITS ARE PROPRIETARY IN NATURE AND SHOULD BE TREATED ACCORDINGLY.

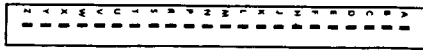
COPYRIGHT 1963 BY DIGITAL EQUIPMENT CORPORATION

C		
RS-B-1711	I	
POWER SUPPLY CONTROL 1711		

RS-1804



UNLESS OTHERWISE INDICATED
 RESISTORS ARE 1/4 WATT 10%
 K1-K4 ARE DUNCO REED RELAY
 TYPE MRR1A 12V D.C. COIL
 RESISTANCE, 1152 OHMS.

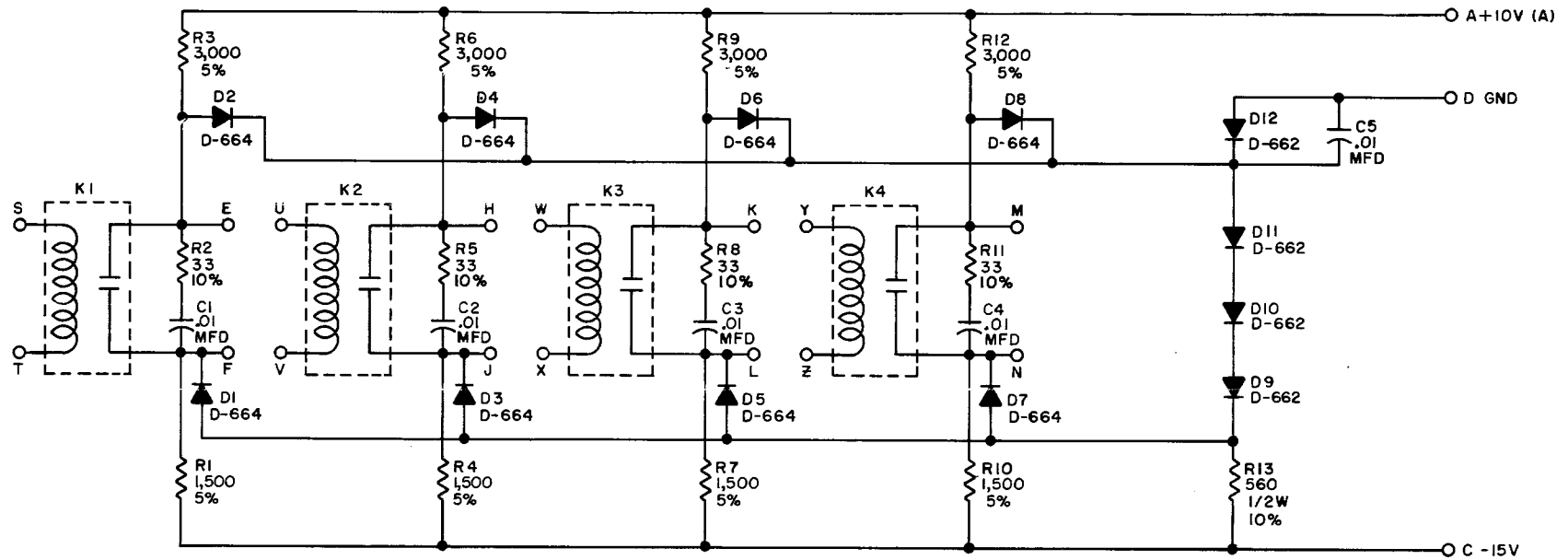


RELAY 1804 (A) RS-1804

THIS SCHEMATIC IS FURNISHED ONLY FOR
 TEST AND MAINTENANCE PURPOSES. THE
 CIRCUITS ARE PROPRIETARY IN NATURE AND
 SHOULD BE TREATED ACCORDINGLY.

COPYRIGHT 1961 BY DIGITAL EQUIPMENT CORPORATION

RS-B-1805



UNLESS OTHERWISE INDICATED:
RELAYS ARE WHEELOCK 262-2A-X1, 12VDC.

TRANSISTOR & DIODE CONVERSION CHART			
DEC	EIA	DEC	EIA
D-662	1N645		
D-664	1N3606		

NOTES

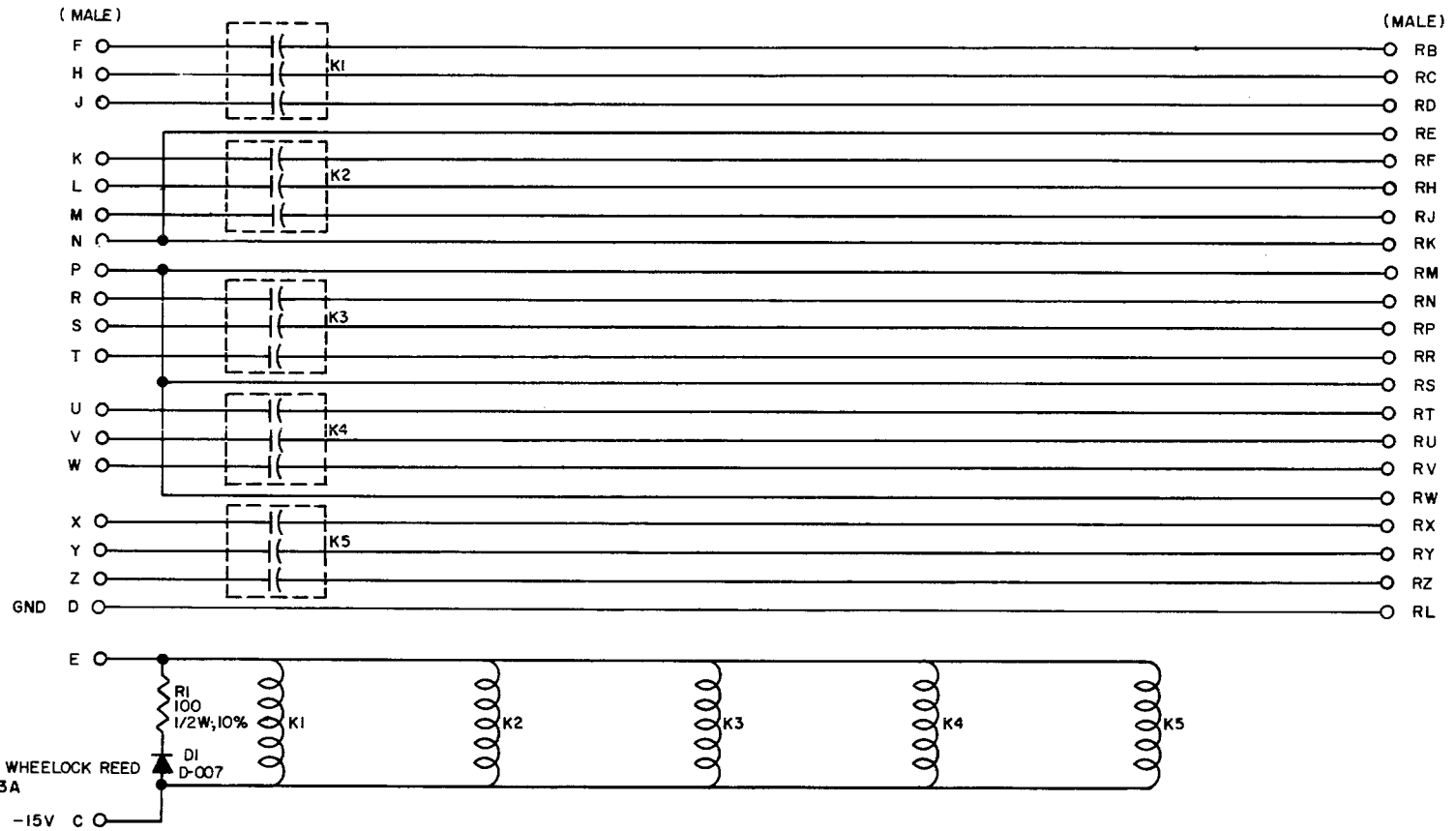
THIS SCHEMATIC IS FURNISHED ONLY FOR TEST AND MAINTENANCE PURPOSES. THE CIRCUITS ARE PROPRIETARY IN NATURE AND SHOULD BE TREATED ACCORDINGLY.

COPYRIGHT 1964 BY DIGITAL EQUIPMENT CORPORATION

A B C D E F G H I J K L M N O P Q R S T U V W X Y Z			
A	RS-B-1805		
RELAY 1805			

DIGITAL EQUIPMENT CORPORATION • MAYNARD, MASSACHUSETTS

RS-1806-2



NOTE:
RELAYS ARE WHEELLOCK REED
260 SERIES 3A
12V DC

-15V C O

TRANSISTOR & DIODE CONVERSION CHART			
DEC	EIA	DEC	EIA
D-007	1N277		

NOTES

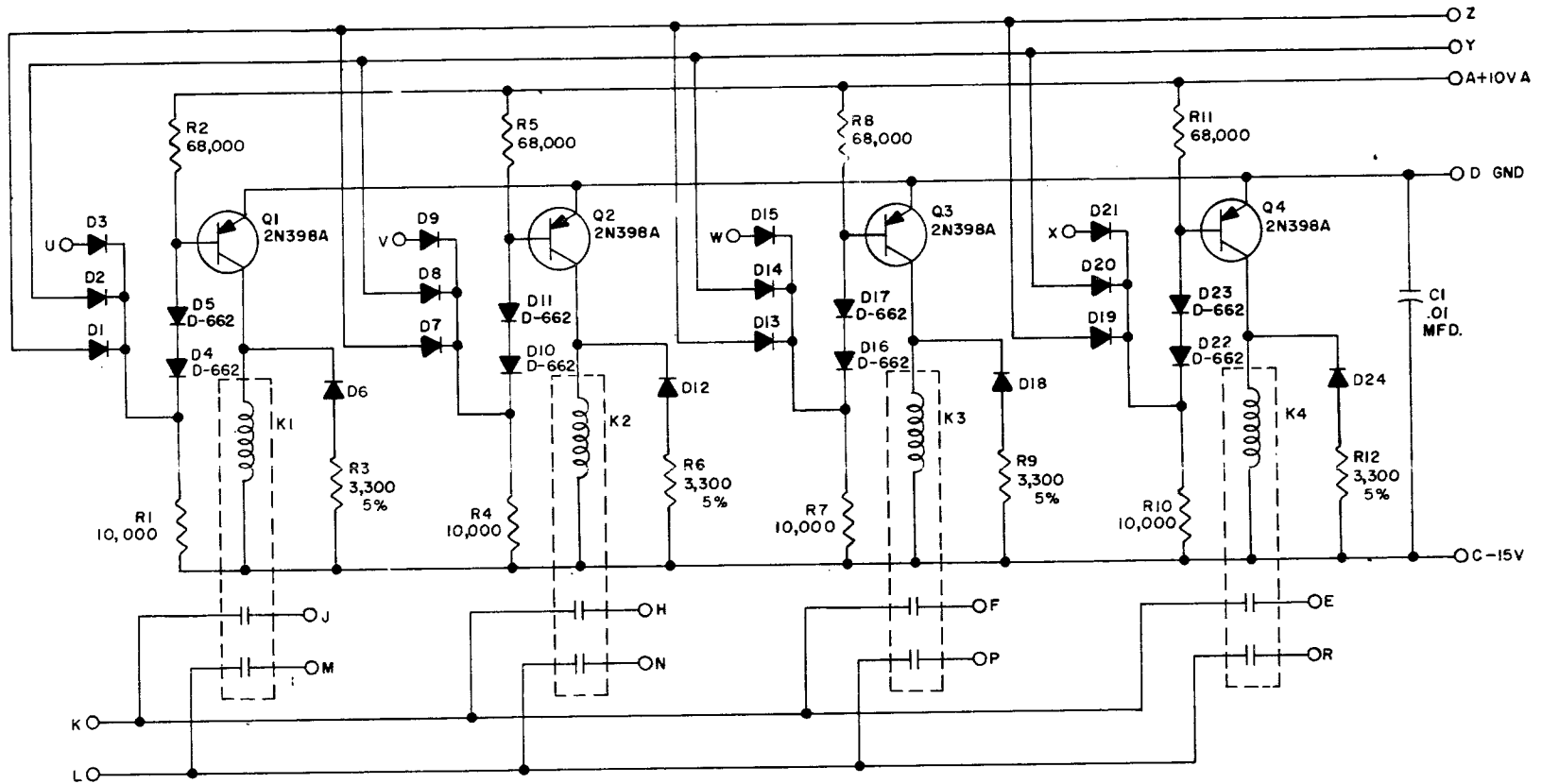
THIS SCHEMATIC IS FURNISHED ONLY FOR TEST AND MAINTENANCE PURPOSES. THE CIRCUITS ARE PROPRIETARY IN NATURE AND SHOULD BE TREATED ACCORDINGLY.

COPYRIGHT 1963 BY DIGITAL EQUIPMENT CORPORATION

A B C D E F G H I J K L M N O P Q R S T U V W X Y Z																									
C										RS-1806										2					
RELAY 1806																									

DIGITAL EQUIPMENT CORPORATION • MAYNARD, MASSACHUSETTS

RS-B-1807-1



UNLESS OTHERWISE INDICATED:
 RESISTORS ARE 1/4 W; 10%
 DIODES ARE D-003
 K1, K2, K3 & K4 ARE WHEELLOCK 262-2A-XI, 12V DC

TRANSISTOR & DIODE CONVERSION CHART			
DEC	EIA	DEC	EIA
2N398A	2N398A		
D-003	1N994		
D-662	1N645		

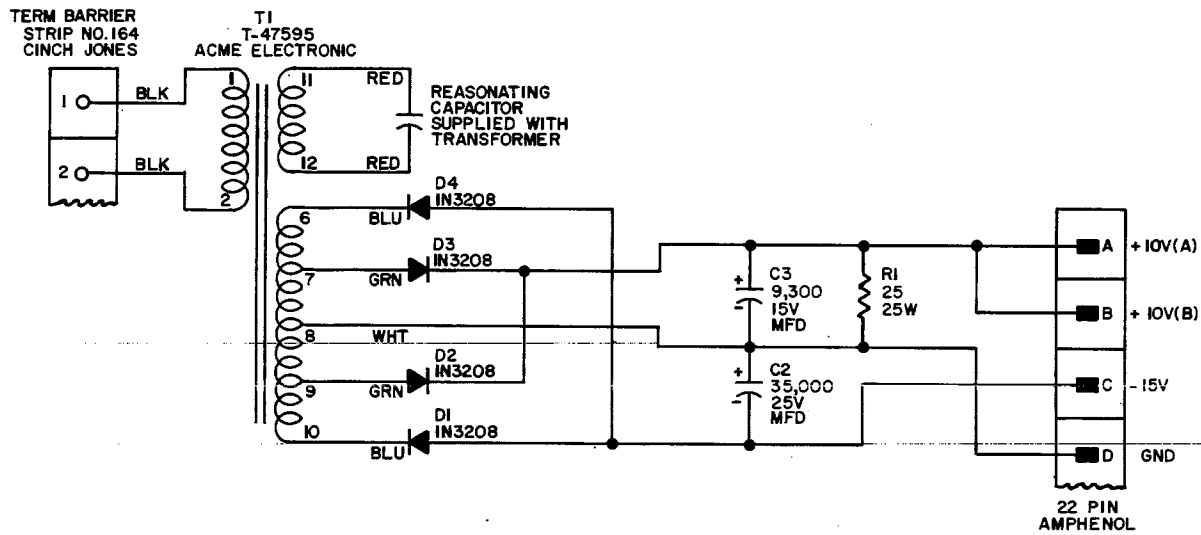
NOTES

THIS SCHEMATIC IS FURNISHED ONLY FOR TEST AND MAINTENANCE PURPOSES. THE CIRCUITS ARE PROPRIETARY IN NATURE AND SHOULD BE TREATED ACCORDINGLY

COPYRIGHT 1963 DIGITAL EQUIPMENT CORPORATION

A B C D E F G H I J K L M N O P Q R S T U V W X Y Z																									
B													RS-B-1807										I		
RELAY 1807																									

RS-B-1938-1



TRANSISTOR & DIODE CONVERSION CHART			
DEC	EIA	DEC	EIA

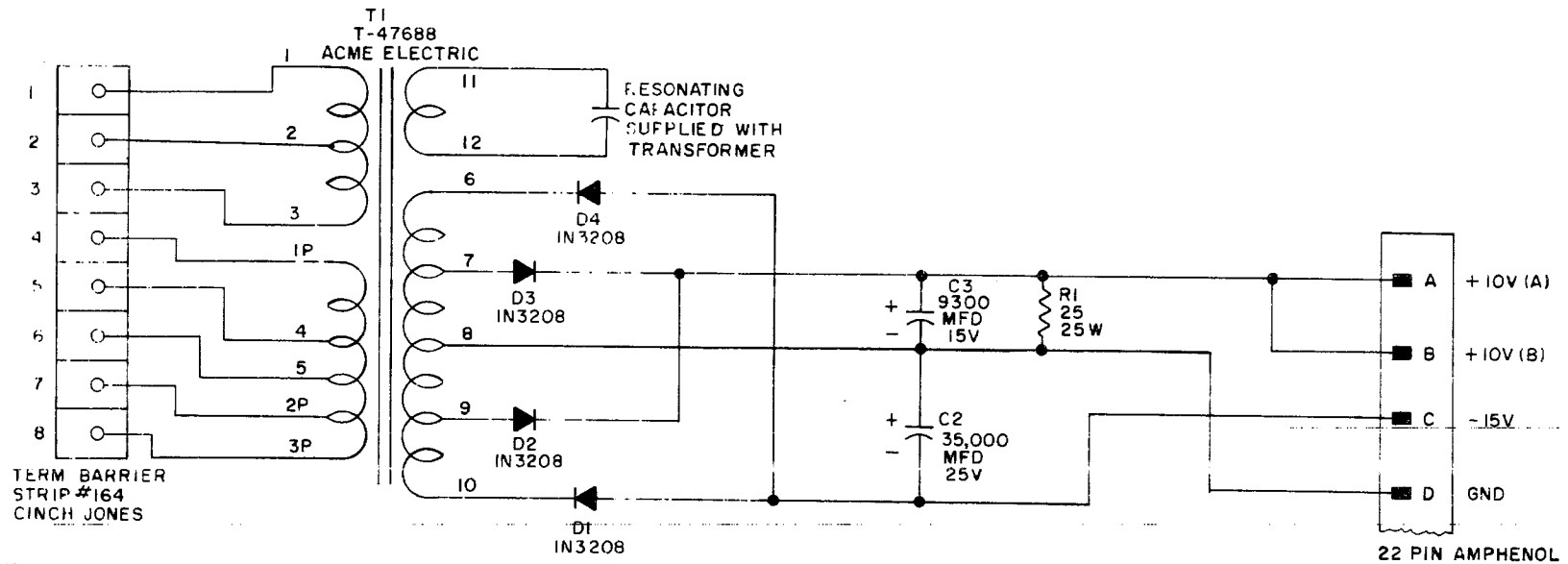
NOTES

THIS SCHEMATIC IS FURNISHED ONLY FOR TEST AND MAINTENANCE PURPOSES. THE CIRCUITS ARE PROPRIETARY IN NATURE AND SHOULD BE TREATED ACCORDINGLY.

COPYRIGHT 1963 BY DIGITAL EQUIPMENT CORPORATION

RS-B-1938	I
MOUNTING PANEL WITH POWER 1938	

RS-B-1938A



CAUTION
CHECK TRANSFORMER
TAPS BEFORE USING

INPUT VOLTAGE	JUMPER	LINE
112.5	10%	2-4, 3-7
123.5	10%	1-4, 3-8
105	10%	1-5
220	10%	1-6
235	10%	2-8

TRANSISTOR & DIODE CONVERSION CHART			
DEC	EIA	DEC	EIA
IN3208	IN3208		

NOTES

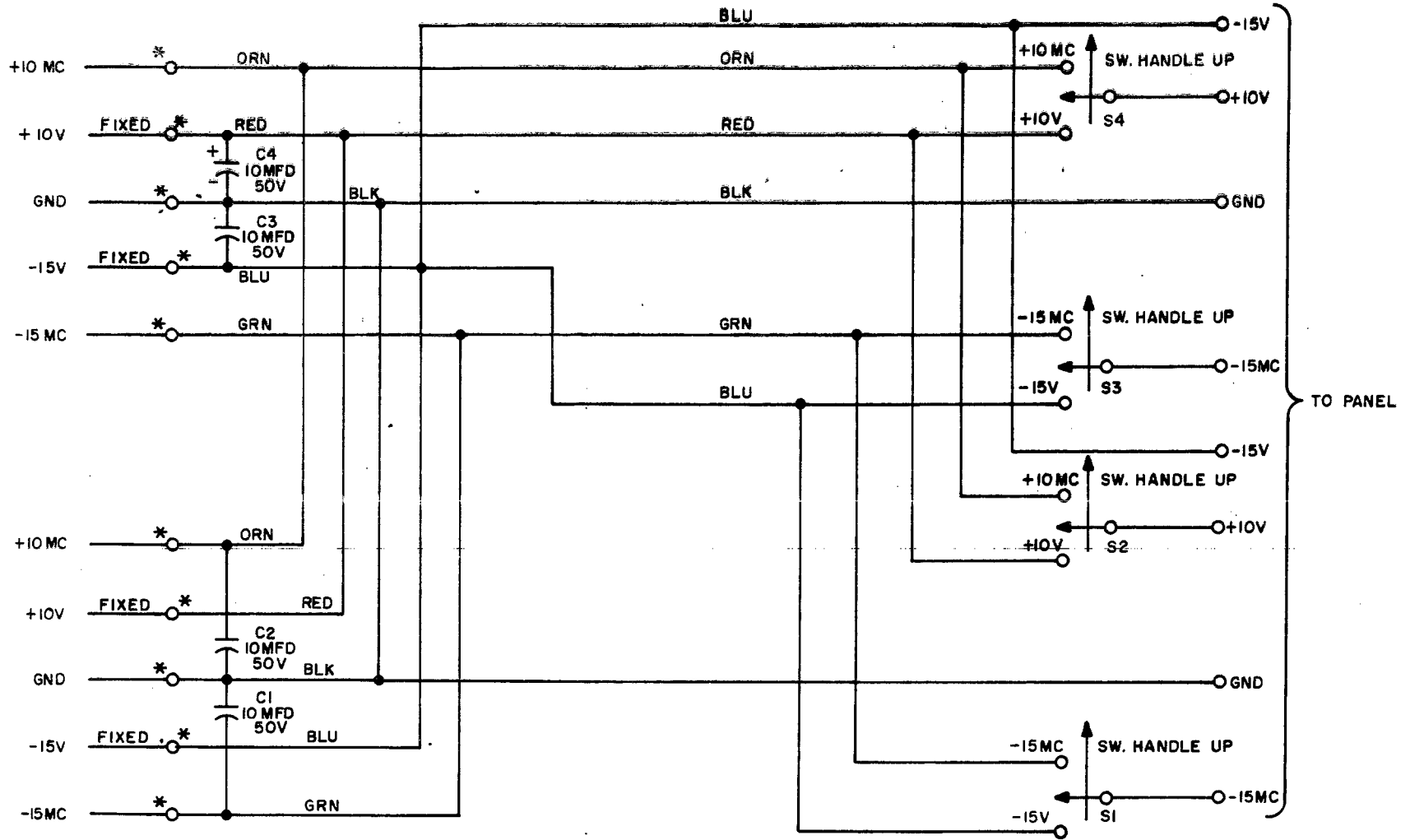
THIS SCHEMATIC IS FURNISHED ONLY FOR TEST AND MAINTENANCE PURPOSES. THE CIRCUITS ARE PROPRIETARY IN NATURE AND SHOULD BE TREATED ACCORDINGLY.

COPYRIGHT 1964 BY DIGITAL EQUIPMENT CORPORATION

RS-B-1938A

MOUNTING PANEL WITH POWER 1938A

RS-B-1943



* JUNCTION TERMINAL BUSHINGS

TRANSISTOR & DIODE CONVERSION CHART			
DEC	EIA	DEC	EIA

NOTES

THIS SCHEMATIC IS FURNISHED ONLY FOR TEST AND MAINTENANCE PURPOSES. THE CIRCUITS ARE PROPRIETARY IN NATURE AND SHOULD BE TREATED ACCORDINGLY.

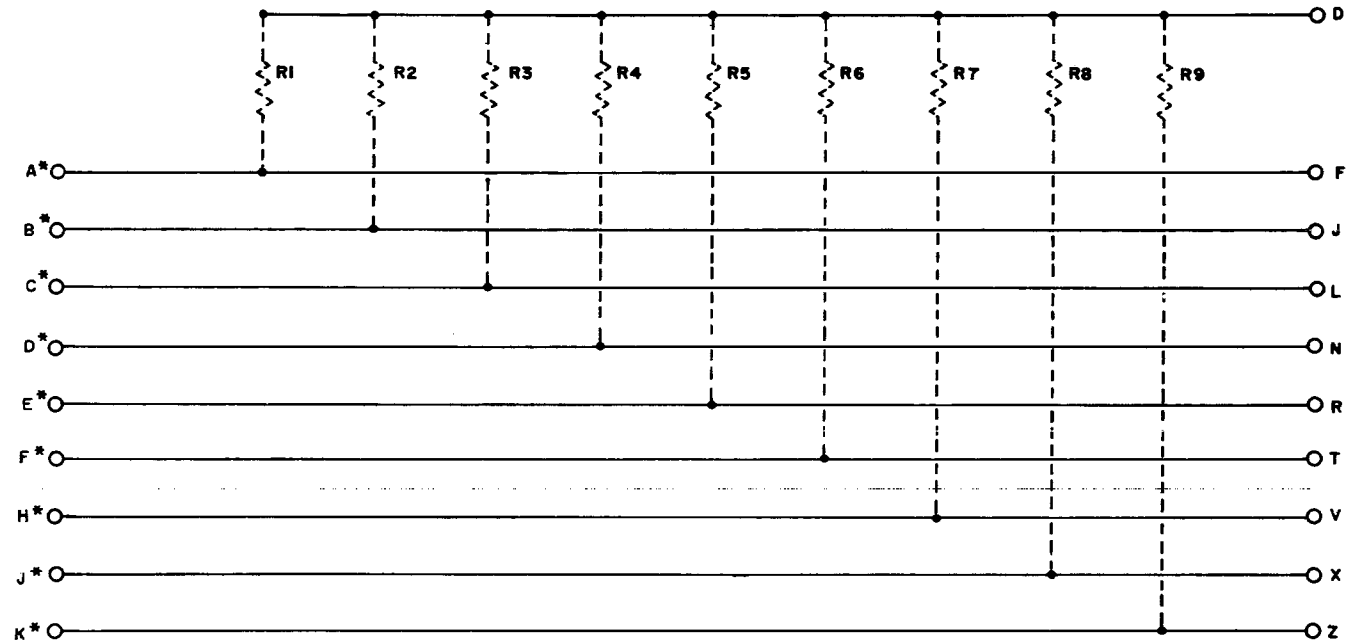
COPYRIGHT 1964 BY DIGITAL EQUIPMENT CORPORATION

RS-B-1943

MOUNTING PANEL 1943

DIGITAL EQUIPMENT CORPORATION • MAYNARD, MASSACHUSETTS

RS-B-1956-2



* INDICATES BACK PANEL PLUG
10 PIN AMPHENOL 133-010-21

TRANSISTOR & DIODE CONVERSION CHART			
DEC	EIA	DEC	EIA

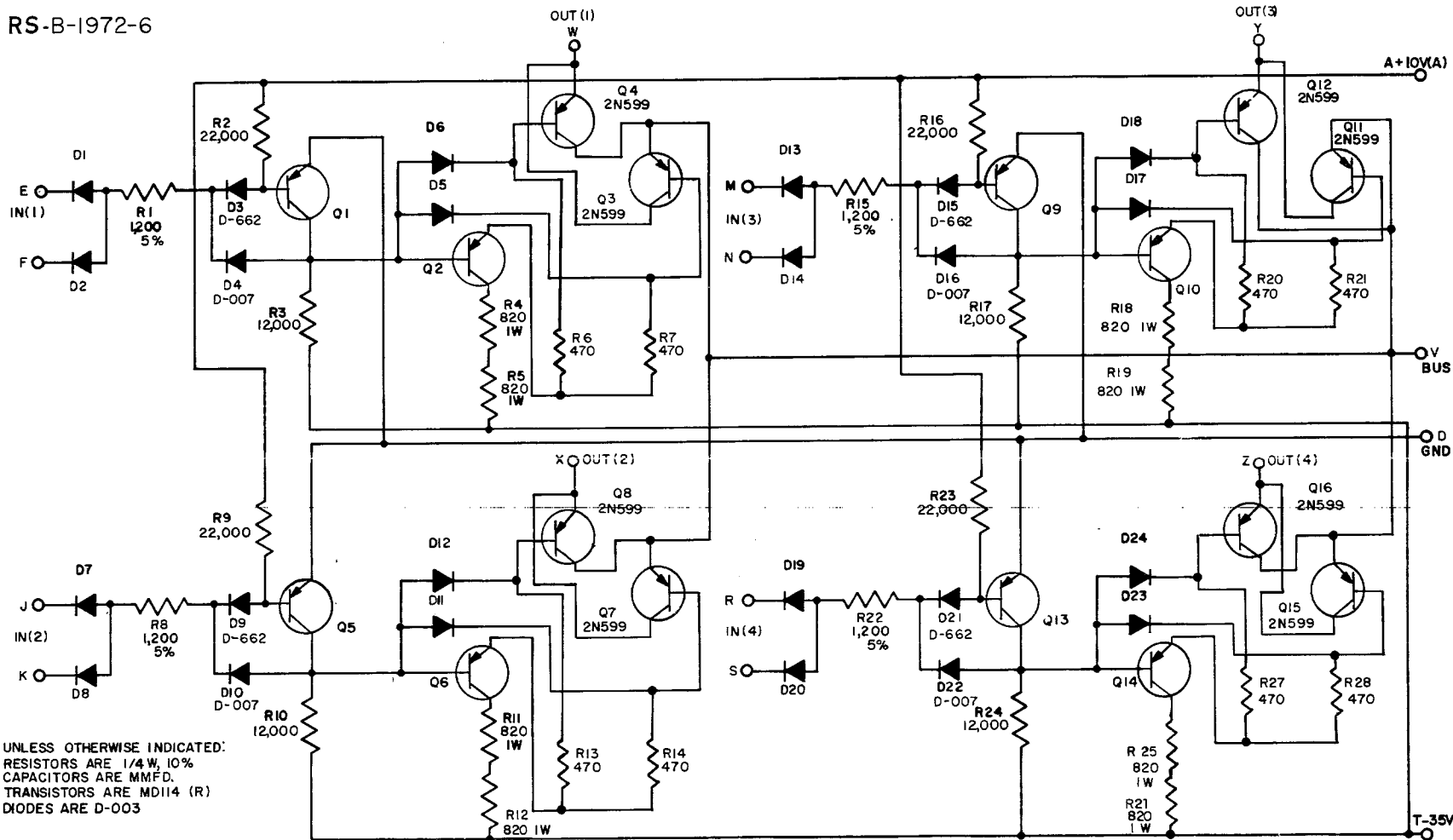
NOTES

THIS SCHEMATIC IS FURNISHED ONLY FOR TEST AND MAINTENANCE PURPOSES. THE CIRCUITS ARE PROPRIETARY IN NATURE AND SHOULD BE TREATED ACCORDINGLY.

COPYRIGHT 1963 BY DIGITAL EQUIPMENT CORPORATION

A	B	C	D	E	F	G	H	I	J	K	L	M	N	O	P	Q	R	S	T	U	V	W	X	Y	Z
B,C		RS-B-1956																		2					
9 PIN PLUG ADAPTER 1956																									

RS-B-1972-6



UNLESS OTHERWISE INDICATED:
RESISTORS ARE 1/4 W, 10%
CAPACITORS ARE MMFD.
TRANSISTORS ARE MD114 (R)
DIODES ARE D-003

TRANSISTOR & DIODE CONVERSION CHART			
DEC	EIA	DEC	EIA
MD114(R)	2N1499A*		
2N599	2N599		
D-662	IN645		
D-007	IN277		
D-003	IN994		

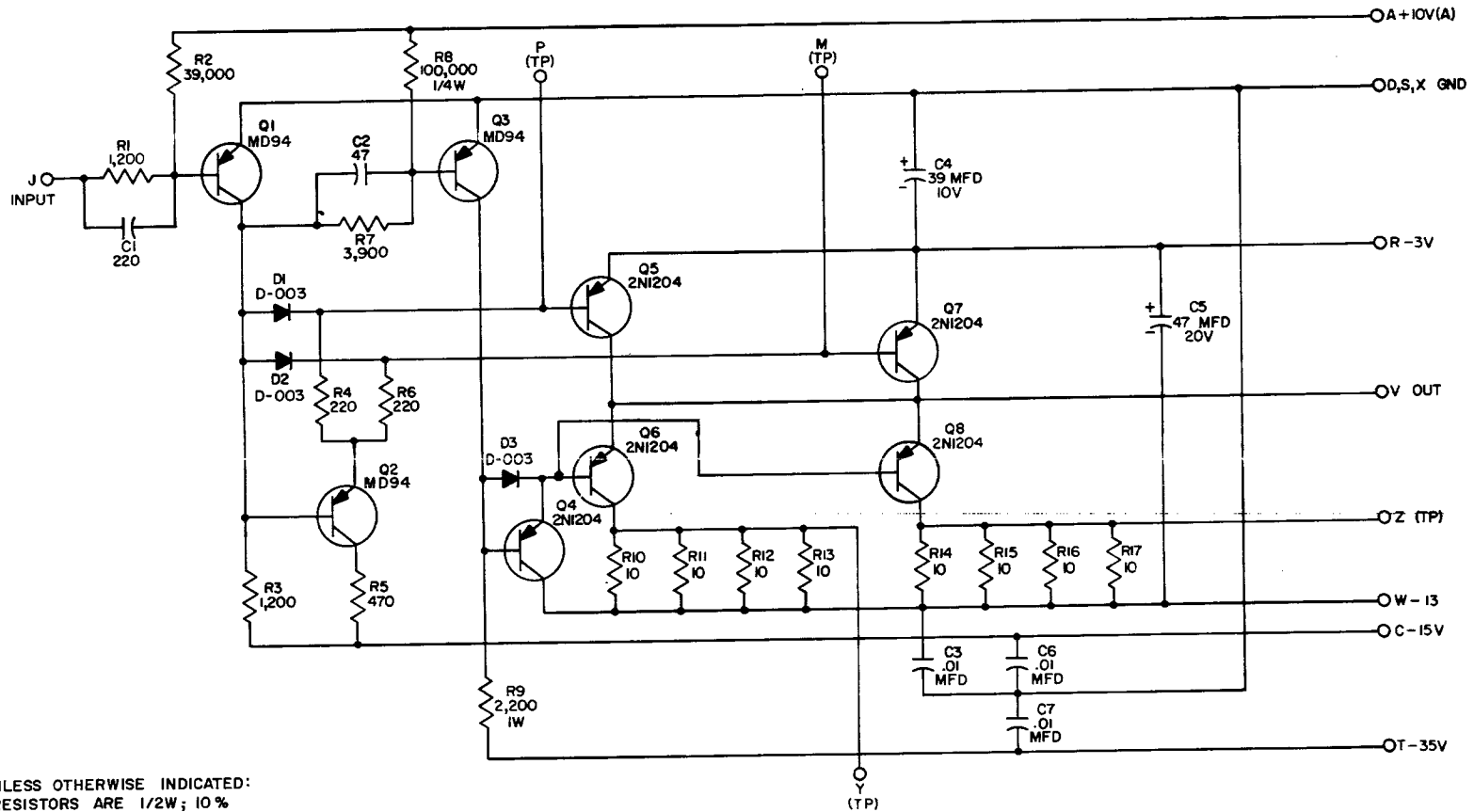
NOTES
*2N1499A SELECTED FOR $V_{ces} = 40V$ AT 100 μs

THIS SCHEMATIC IS FURNISHED ONLY FOR TEST AND MAINTENANCE PURPOSES. THE CIRCUITS ARE PROPRIETARY IN NATURE AND SHOULD BE TREATED ACCORDINGLY.

COPYRIGHT 1963 BY DIGITAL EQUIPMENT CORPORATION

< B U D L U L T X J E Z A R U L D > X > N		
A,B	RS-1972	6
READ-WRITE SWITCH 1972		

RS-B-1973-6



UNLESS OTHERWISE INDICATED:
RESISTORS ARE 1/2W; 10%
CAPACITORS ARE MMFD

TRANSISTOR & DIODE CONVERSION CHART			
DEC	EIA	DEC	EIA
MD94	2N2488		
2N1204	2N1204		
D-003	1N994		

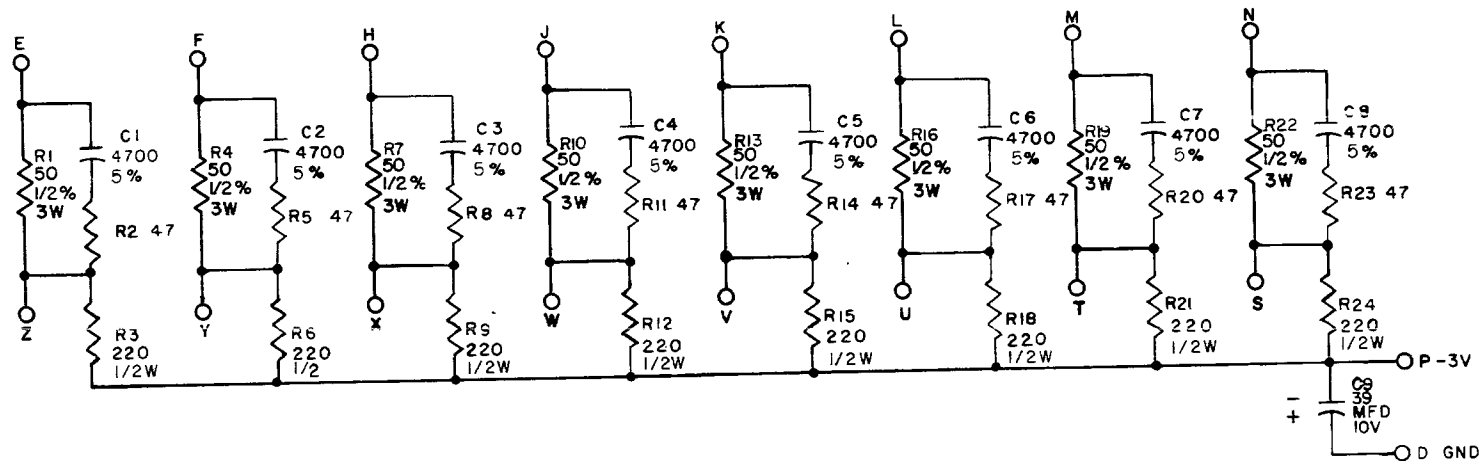
NOTES

THIS SCHEMATIC IS FURNISHED ONLY FOR TEST AND MAINTENANCE PURPOSES. THE CIRCUITS ARE PROPRIETARY IN NATURE AND SHOULD BE TREATED ACCORDINGLY.

COPYRIGHT 1963 BY DIGITAL EQUIPMENT CORPORATION

< B U D L U L T T J K J Z P R S T D > W X Y N		
C	RS-B-1973	6
MEMORY DRIVER 1973		

DIGITAL EQUIPMENT CORPORATION • MAYNARD, MASSACHUSETTS



UNLESS OTHERWISE INDICATED:
 RESISTORS ARE 1/4W; 10%
 CAPACITORS ARE MMFD

TRANSISTOR & DIODE CONVERSION CHART			
DEC	EIA	DEC	EIA

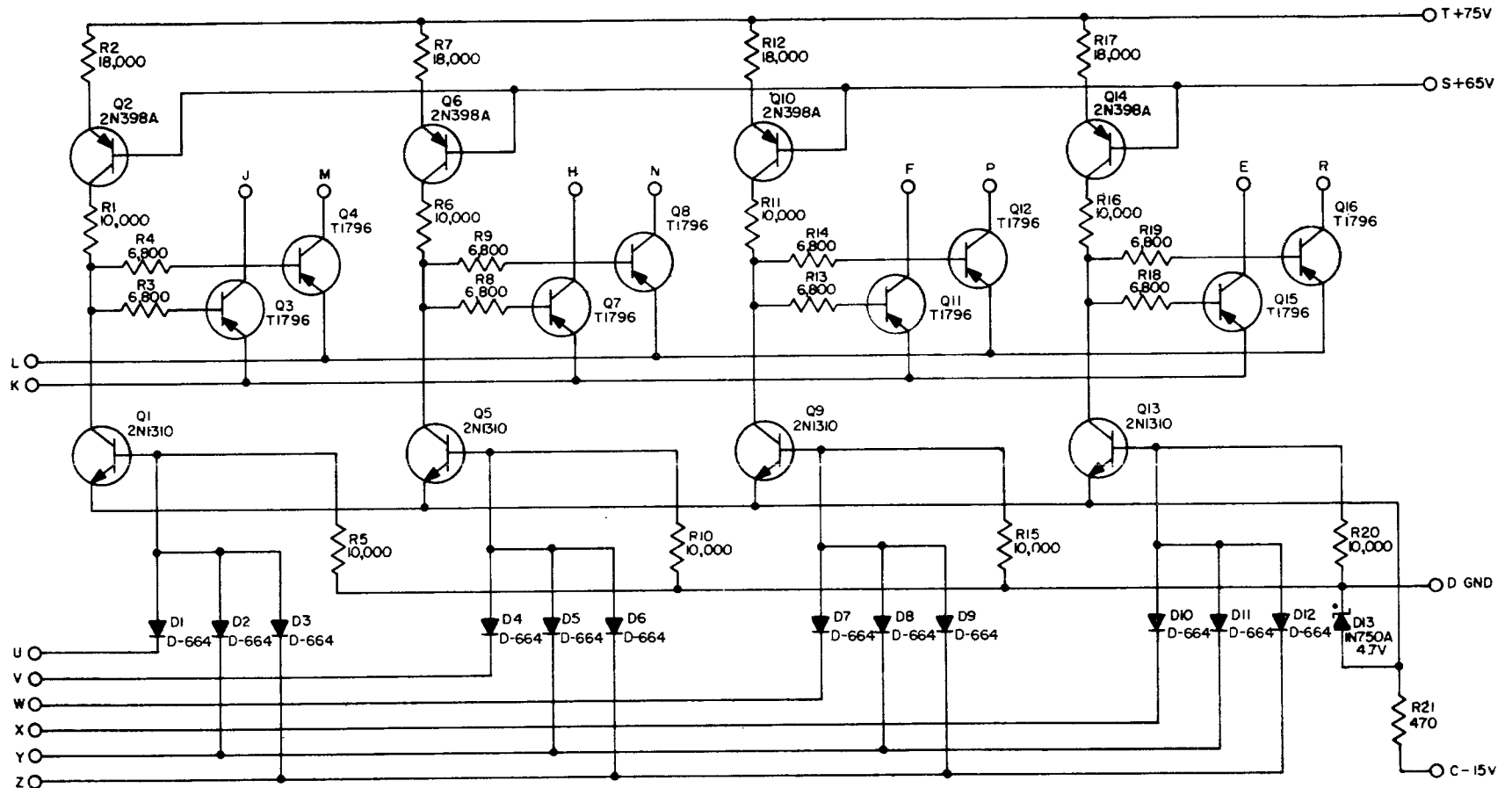
NOTES

THIS SCHEMATIC IS FURNISHED ONLY FOR TEST AND MAINTENANCE PURPOSES. THE CIRCUITS ARE PROPRIETARY IN NATURE AND SHOULD BE TREATED ACCORDINGLY.

COPYRIGHT 1983 BY DIGITAL EQUIPMENT CORPORATION

RESISTOR BOARD 1978 RS-B-1978		
C.D.	RS-B-1978	5

RS-1981-2



UNLESS OTHERWISE INDICATED:
RESISTORS ARE 1/2 W, 10 %

TRANSISTOR & DIODE CONVERSION CHART			
DEC	EIA	DEC	EIA
2N398A	2N398A		
T1796	T1796		
2N1310	2N1310		
D-664	1N914		
1N750A 4.7V	1N750A 4.7V		

NOTES

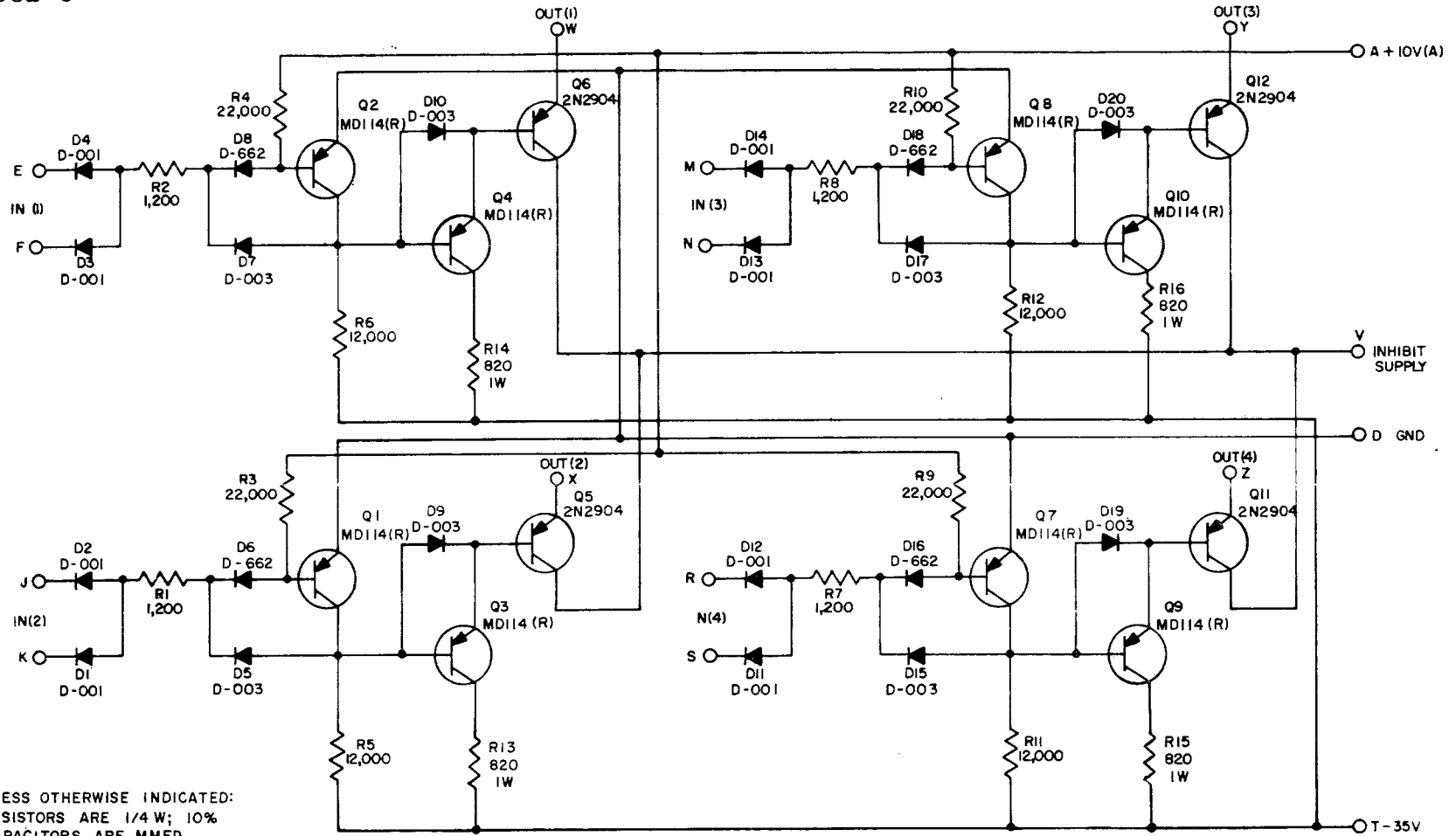
THIS SCHEMATIC IS FURNISHED ONLY FOR TEST AND MAINTENANCE PURPOSES. THE CIRCUITS ARE PROPRIETARY IN NATURE AND SHOULD BE TREATED ACCORDINGLY.

COPYRIGHT 1983 BY DIGITAL EQUIPMENT CORPORATION

A B C D E F G H I J K L M N O P Q R S T U V W X Y Z		
A	RS-1981	2
SENSE SWITCH 1981		

DIGITAL EQUIPMENT CORPORATION • MAYNARD, MASSACHUSETTS

PS-1982-5



UNLESS OTHERWISE INDICATED:
RESISTORS ARE 1/4 W; 10%
CAPACITORS ARE MMFD

TRANSISTOR & DIODE CONVERSION CHART	
DEC	EIA
D-001	1N276
D-003	1N994
D-662	1N645
MD114 (R)	*2N1499A
2N2904	2N2904

NOTES
*SELECTED FOR $V_{ces} = 40V @ 100\mu s$

THIS SCHEMATIC IS FURNISHED ONLY FOR TEST AND MAINTENANCE PURPOSES THE CIRCUITS ARE PROPRIETARY IN NATURE AND SHOULD BE TREATED ACCORDINGLY.

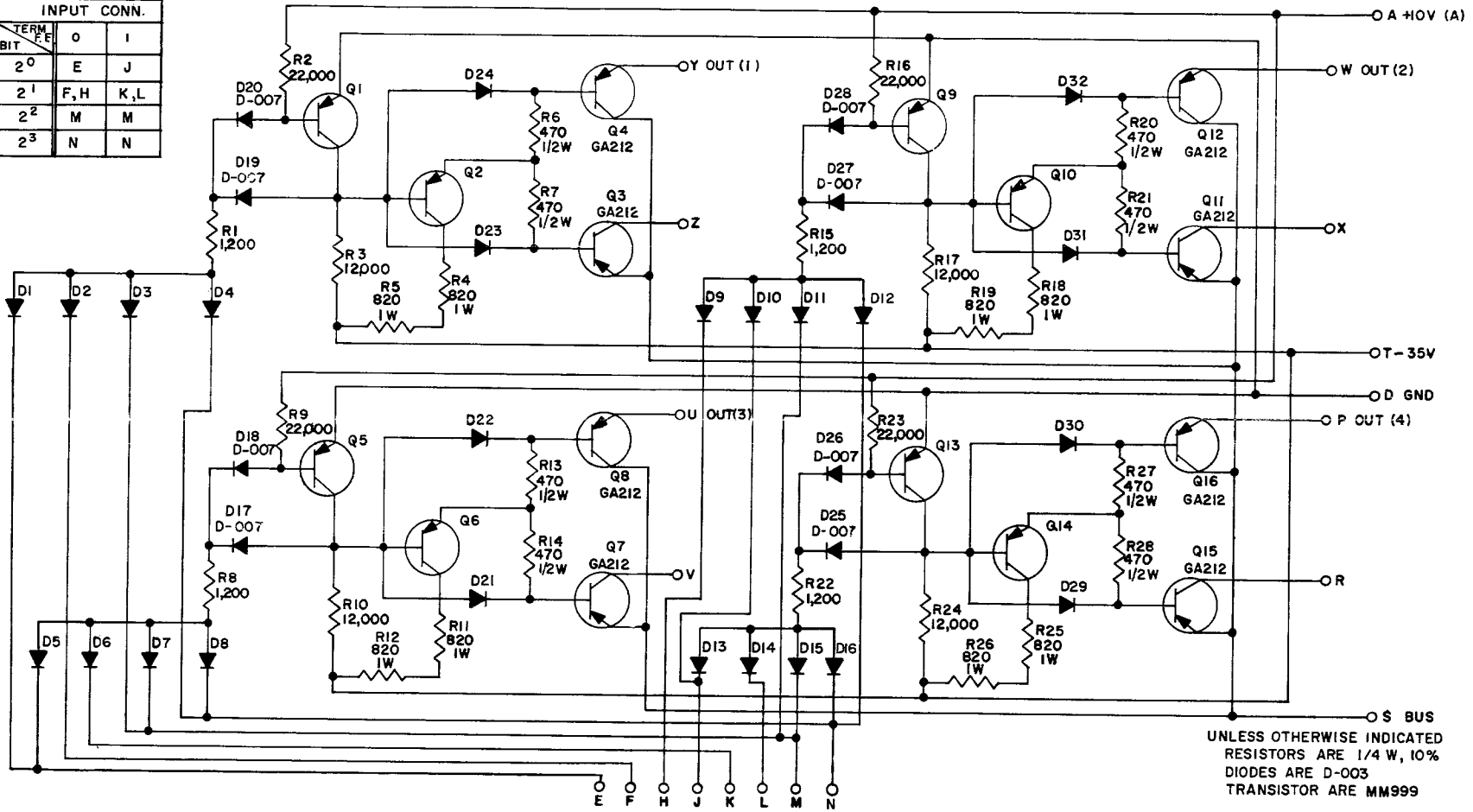
COPYRIGHT 1963 BY DIGITAL EQUIPMENT CORPORATION

ABCDEFGHIJKLMNOPQRSTUVWXYZ

D	RS-1982	5
INHIBIT DRIVER 1982		

RS-B-1987-5

INPUT CONN.		
TERM	O	I
2 ⁰	E	J
2 ¹	F, H	K, L
2 ²	M	M
2 ³	N	N



TRANSISTOR & DIODE CONVERSION CHART			
DEC	EIA	DEC	EIA
GA212	2N599		
MM999	MM999		
D-007	1N277		
D-003	1N994		

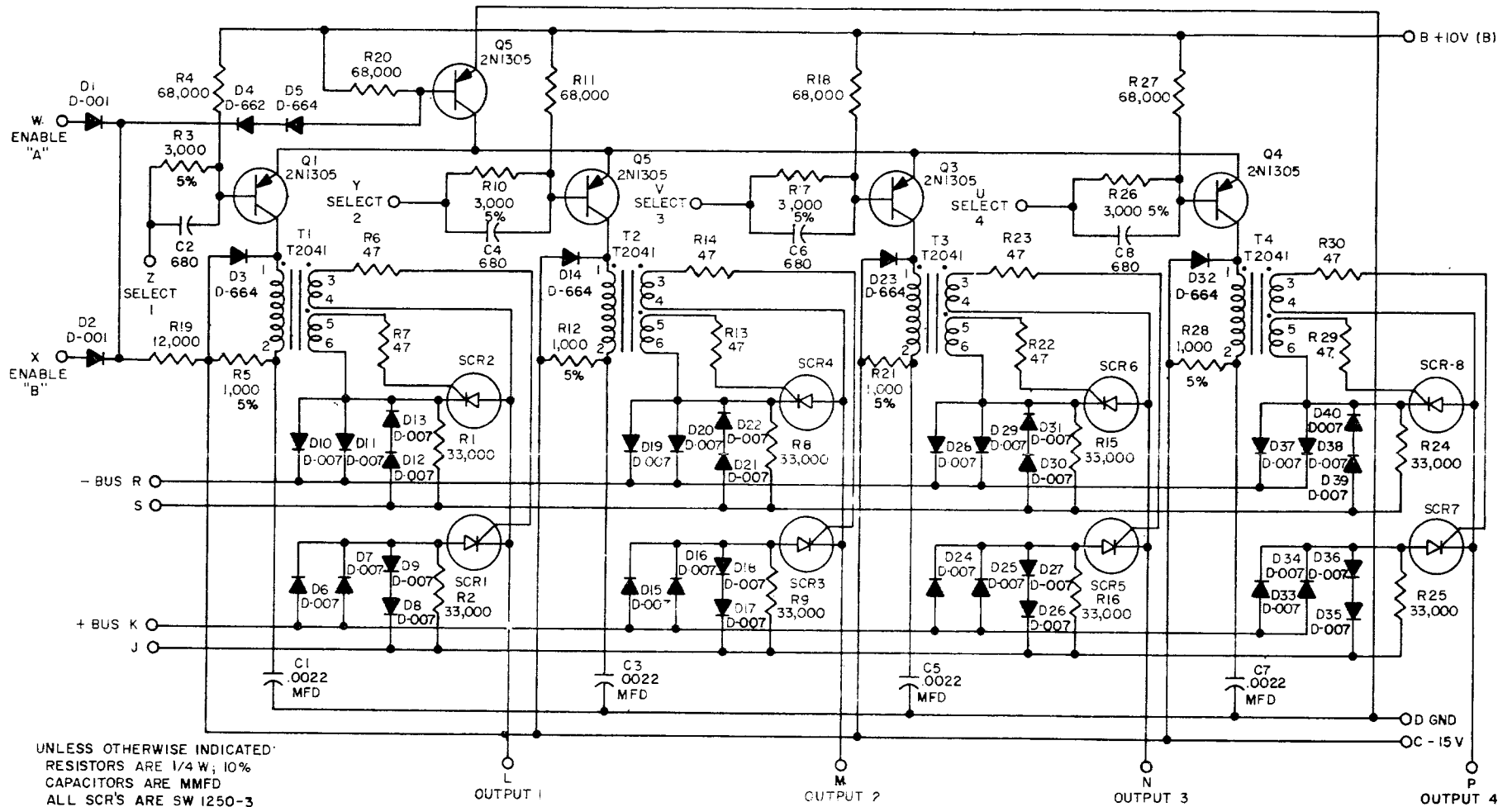
NOTES

THIS SCHEMATIC IS FURNISHED ONLY FOR TEST AND MAINTENANCE PURPOSES. THE CIRCUITS ARE PROPRIETARY IN NATURE AND SHOULD BE TREATED ACCORDINGLY.

COPYRIGHT 1963 BY DIGITAL EQUIPMENT CORPORATION

C			RS-B-1987	5
READ-WRITE SWITCH 1987				

RS-1990-3



TRANSISTOR & DIODE CONVERSION CHART			
DEC	EIA	DEC	EIA
2N1305	2N1305	D-664	1N914
SW 1250-3	SW 1250-3		
D-001	1N276		
D-007	1N277		
D-662	1N645		

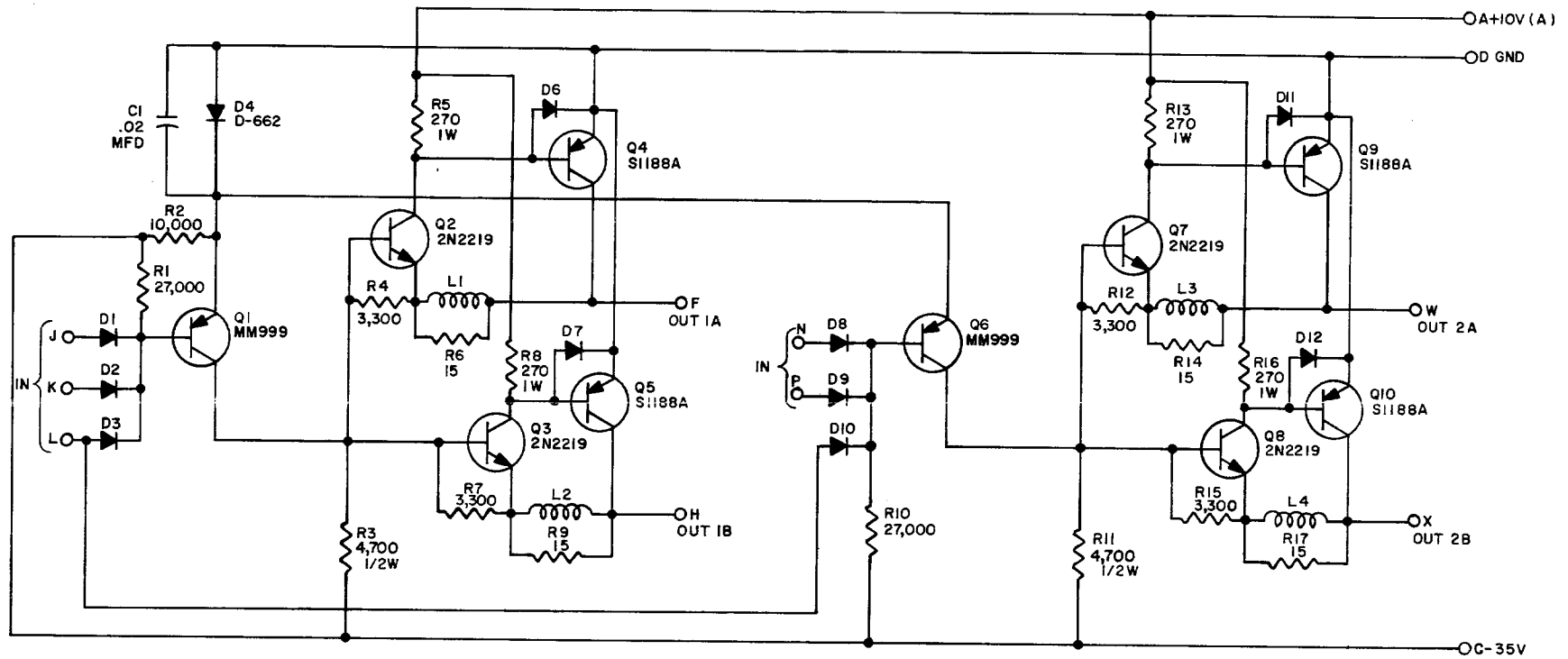
NOTES

THIS SCHEMATIC IS FURNISHED ONLY FOR TEST AND MAINTENANCE PURPOSES. THE CIRCUITS ARE PROPRIETARY IN NATURE AND SHOULD BE TREATED ACCORDINGLY.

COPYRIGHT 1963 BY DIGITAL EQUIPMENT CORPORATION

A			RS-1990			3		
READ WRITE SWITCH 1990								

RS-B-1991-I



UNLESS OTHERWISE INDICATED:
 RESISTORS ARE 1/4W; 10%
 L1-L4 ARE ESSEX RFC-M 3.3 uH
 DIODES ARE D-003

TRANSISTOR & DIODE CONVERSION CHART		DEC	EIA
MM999	MM999		
2N2219	2N2219		
51188A	51188A		
D-003	IN994		
D-662	IN645		

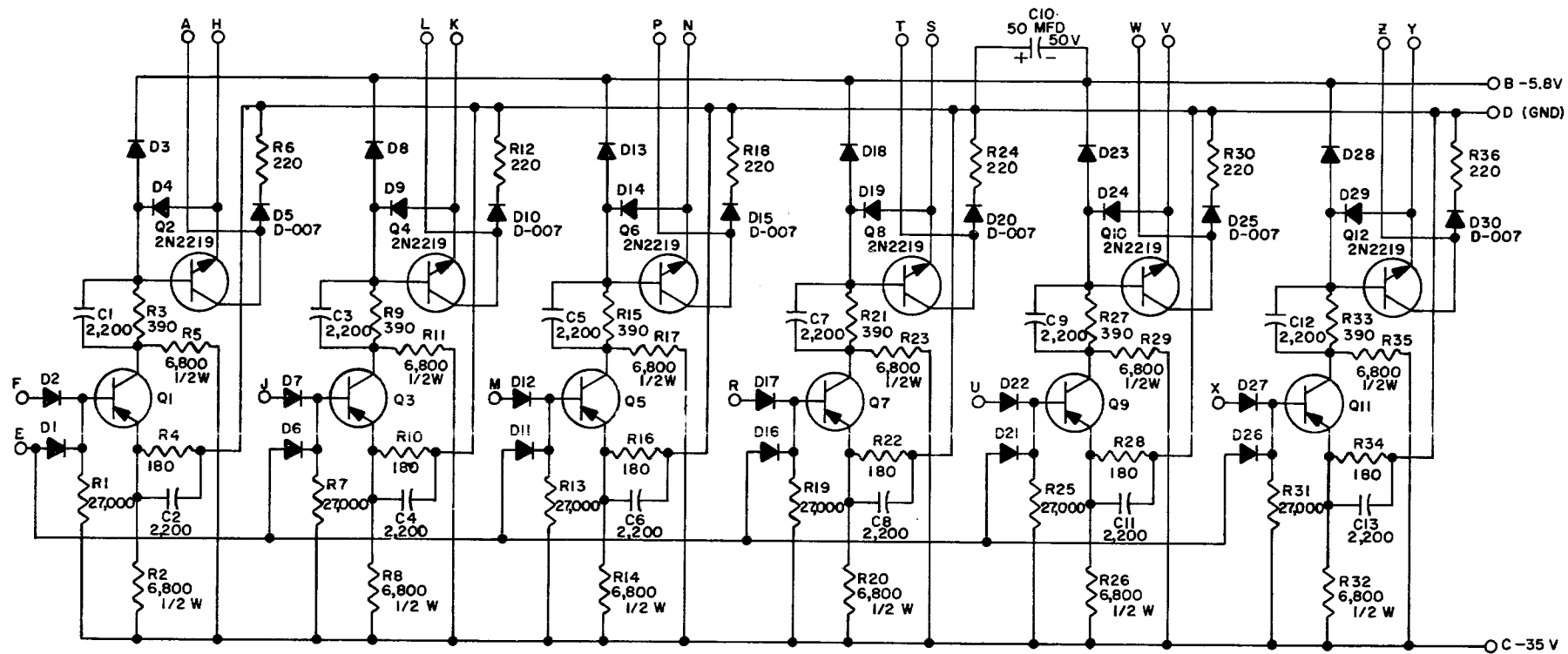
NOTES

THIS SCHEMATIC IS FURNISHED ONLY FOR TEST AND MAINTENANCE PURPOSES. THE CIRCUITS ARE PROPRIETARY IN NATURE AND SHOULD BE TREATED ACCORDINGLY.

COPYRIGHT 1963 BY DIGITAL EQUIPMENT CORPORATION

< B U C U L I 1 2 3 4 5 6 7 8 9 0 >		
D	RS-B-1991	I
INHIBIT FIELD SELECT 1991		

RS-B-1992-1



UNLESS OTHERWISE INDICATED:
 RESISTORS ARE 1/4 W, 10%
 CAPACITORS ARE MMFD
 DIODES ARE D-003
 TRANSISTORS ARE MM999 (were 2N1754)

TRANSISTOR & DIODE CONVERSION CHART			
DEC		EIA	
DEC	EIA	DEC	EIA
2N2219	2N2219		
MM999	MM999		
D-003	IN994		
D-007	IN277		

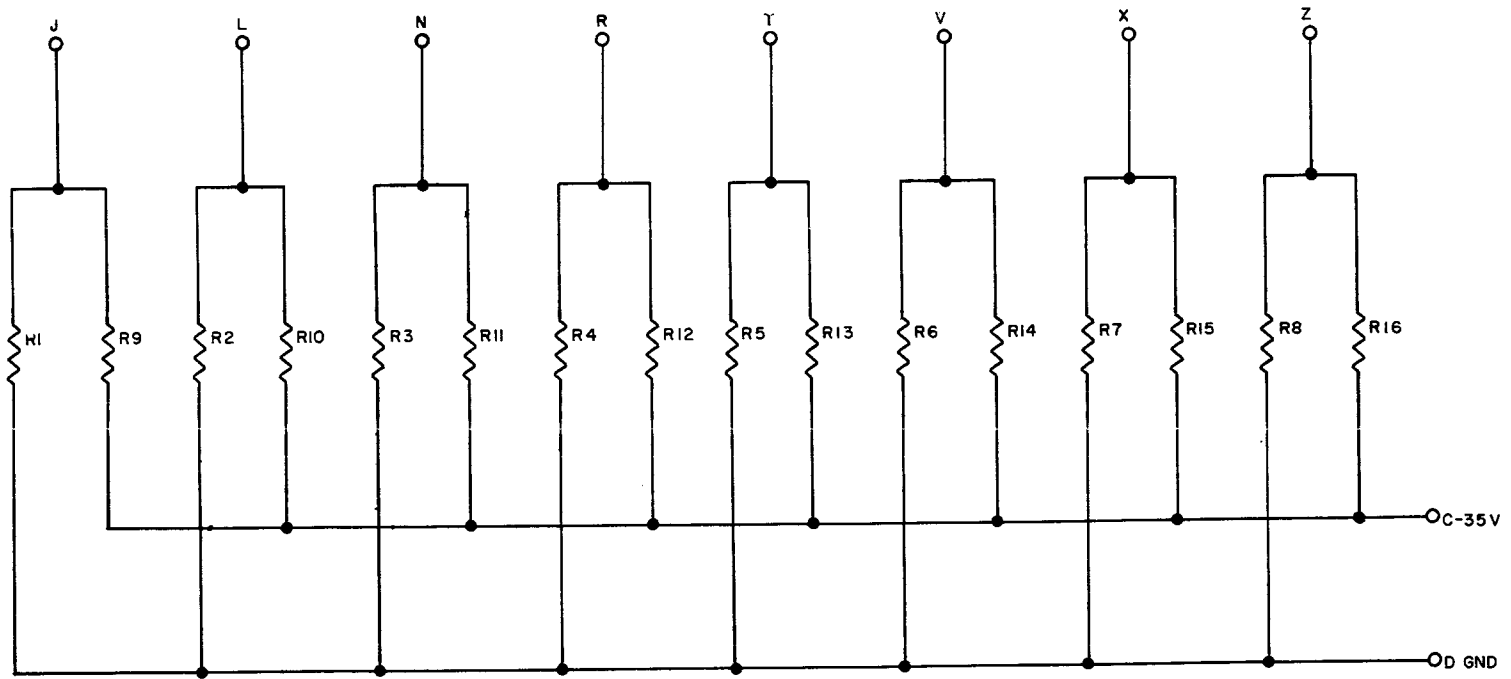
NOTES

THIS SCHEMATIC IS FURNISHED ONLY FOR TEST AND MAINTENANCE PURPOSES. THE CIRCUITS ARE PROPRIETARY IN NATURE AND SHOULD BE TREATED ACCORDINGLY.

COPYRIGHT 1963 BY DIGITAL EQUIPMENT CORPORATION

A B C D E F G H I J K L M N O P Q R S T U V W X Y Z									
B	RS-B-1992								I
INHIBIT DRIVER 1992									

RS-1993-1



UNLESS OTHERWISE INDICATED:
 R1-R8 ARE 3,900 OHMS; 1/2W; 5%
 R9-R16 ARE SPRAGUE KOOL-OHM 453E6015; 600 OHMS; 5W; 5%

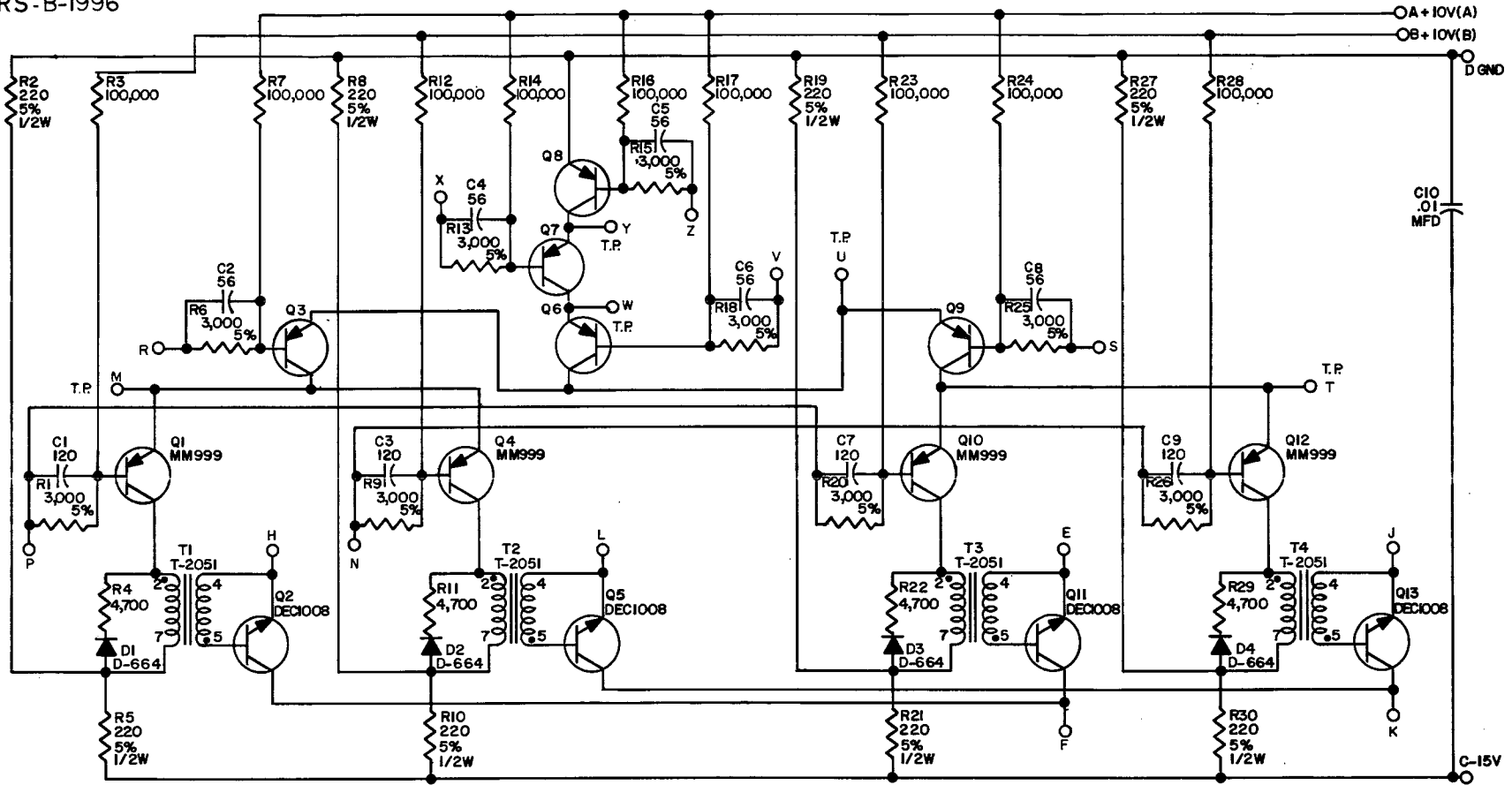
TRANSISTOR & DIODE CONVERSION CHART			
DEC	EIA	DEC	EIA

NOTES

THIS SCHEMATIC IS FURNISHED ONLY FOR TEST AND MAINTENANCE PURPOSES. THE CIRCUITS ARE PROPRIETARY IN NATURE AND SHOULD BE TREATED ACCORDINGLY.
 COPYRIGHT 1963 BY DIGITAL EQUIPMENT CORPORATION

D	RS-1993	I
INHIBIT FIELD SELECT RESISTORS 1993		

RS-B-1996



UNLESS OTHERWISE INDICATED:
 RESISTORS ARE 1/4W; 10%
 CAPACITORS ARE MMFD
 TRANSISTORS ARE DEC2894-1

TRANSISTOR & DIODE CONVERSION CHART			
DEC	EIA	DEC	EIA
DEC1008	DEC1008		
DEC2894-1	DEC2894		
MM999	MM999		
D-664	1N914		

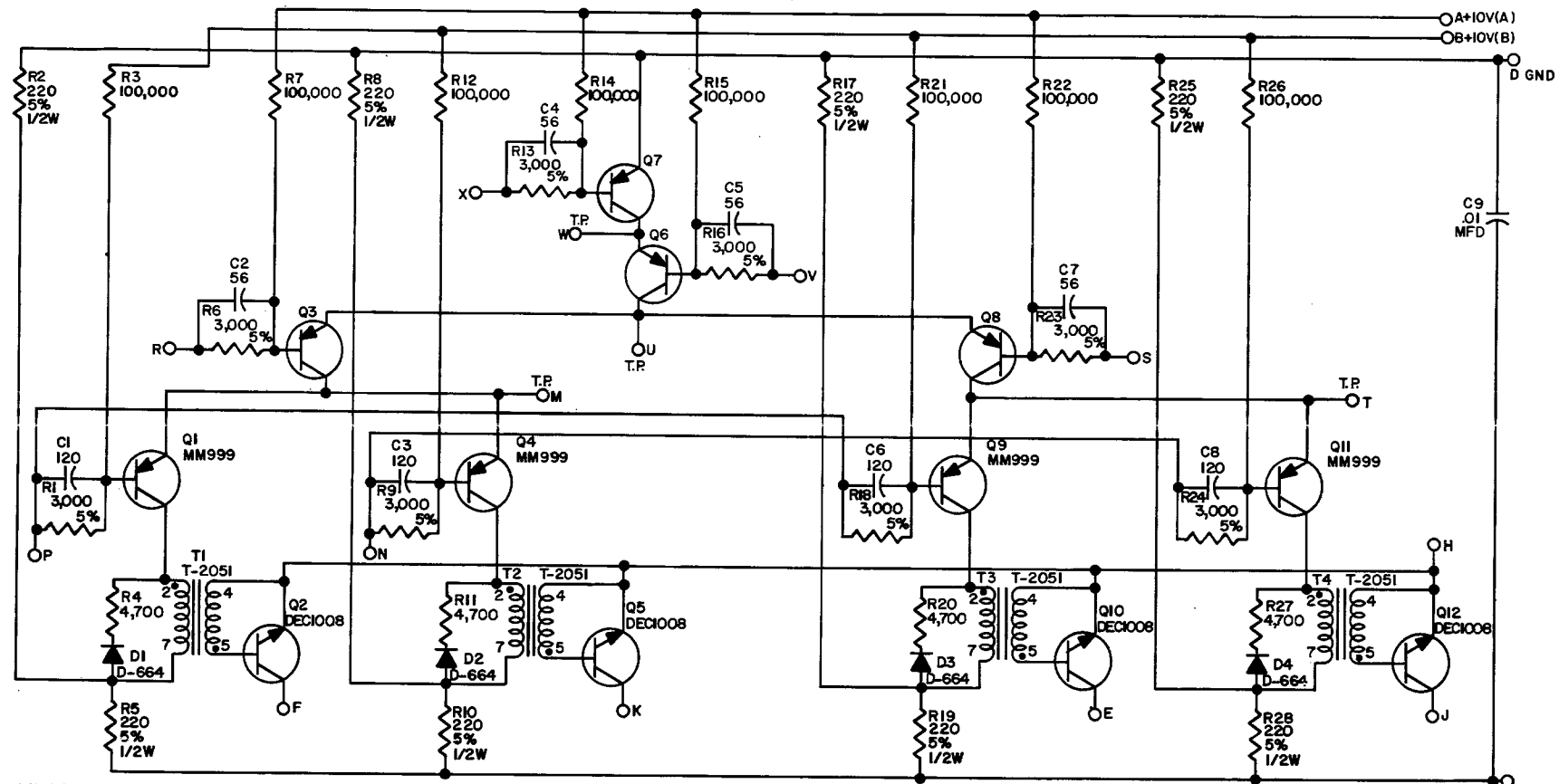
NOTES

THIS SCHEMATIC IS FURNISHED ONLY FOR TEST AND MAINTENANCE PURPOSES. THE CIRCUITS ARE PROPRIETARY IN NATURE AND SHOULD BE TREATED ACCORDINGLY.

COPYRIGHT 1964 BY DIGITAL EQUIPMENT CORPORATION

A		RS-B-1996	
MEMORY DRIVER 1996			

RS-B-1997



UNLESS OTHERWISE INDICATED:
 RESISTORS ARE 1/4W; 10%
 CAPACITORS ARE MMFD
 TRANSISTORS ARE DEC 2894-1

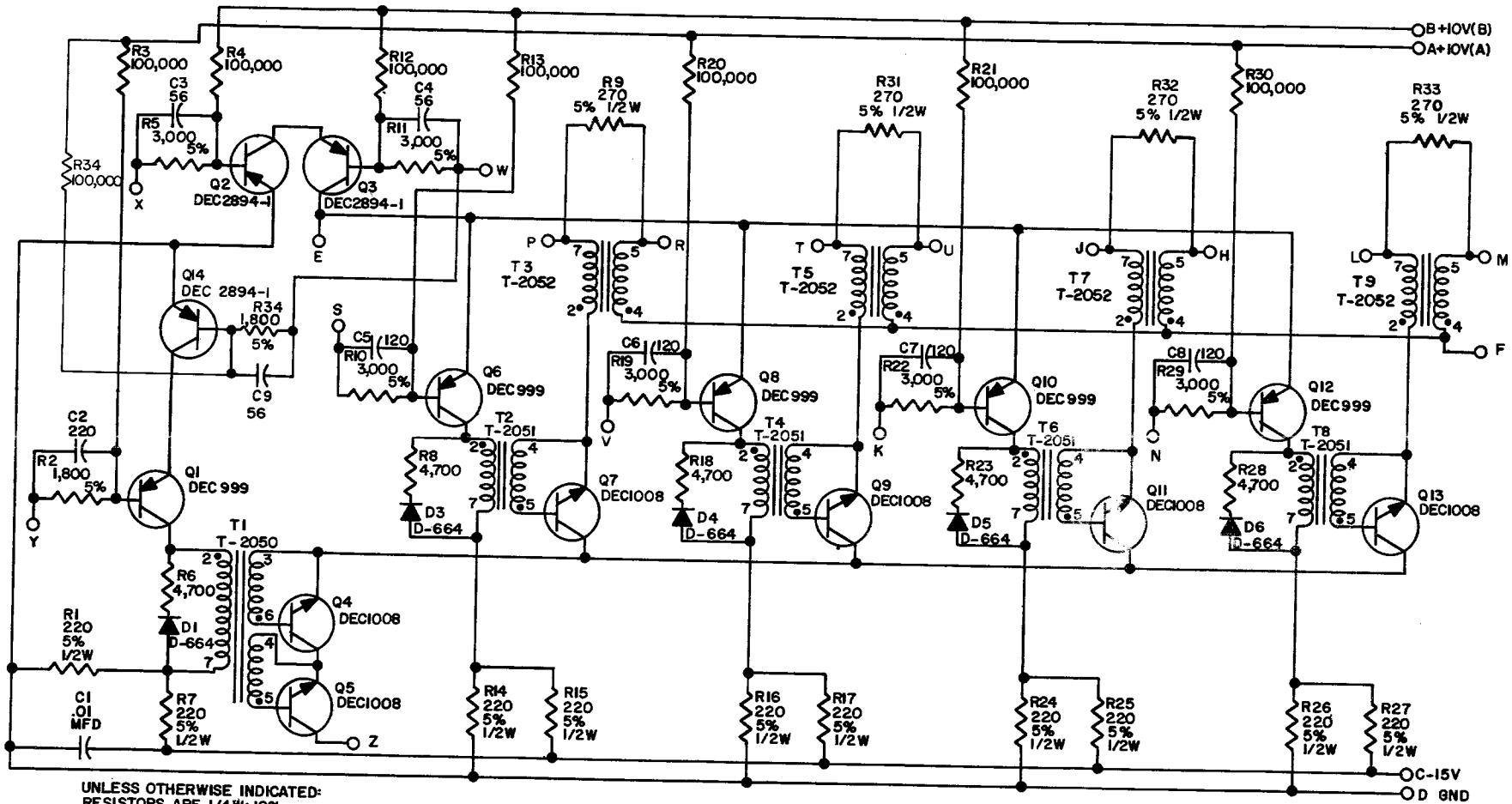
TRANSISTOR & DIODE CONVERSION CHART			
DEC	EIA	DEC	EIA
DEC1006	DEC1008		
DEC2894-1	DEC2894		
MM999	MM999		
D-664	IN914		

NOTES

THIS SCHEMATIC IS FURNISHED ONLY FOR TEST AND MAINTENANCE PURPOSES. THE CIRCUITS ARE PROPRIETARY IN NATURE AND SHOULD BE TREATED ACCORDINGLY.
 COPYRIGHT 1964 BY DIGITAL EQUIPMENT CORPORATION

A	RS-B-1997
MEMORY SELECTOR 1997	

RS-B-1998-2



UNLESS OTHERWISE INDICATED:
RESISTORS ARE 1/4 W; 10%
CAPACITORS ARE MMFD

TRANSISTOR & DIODE CONVERSION CHART			
DEC	EIA	DEC	EIA
D-664	D-664		
DEC1008	DEC1008		
DEC2894-1	DEC2894		
DEC 999	MM999		
D-664	1N3608		

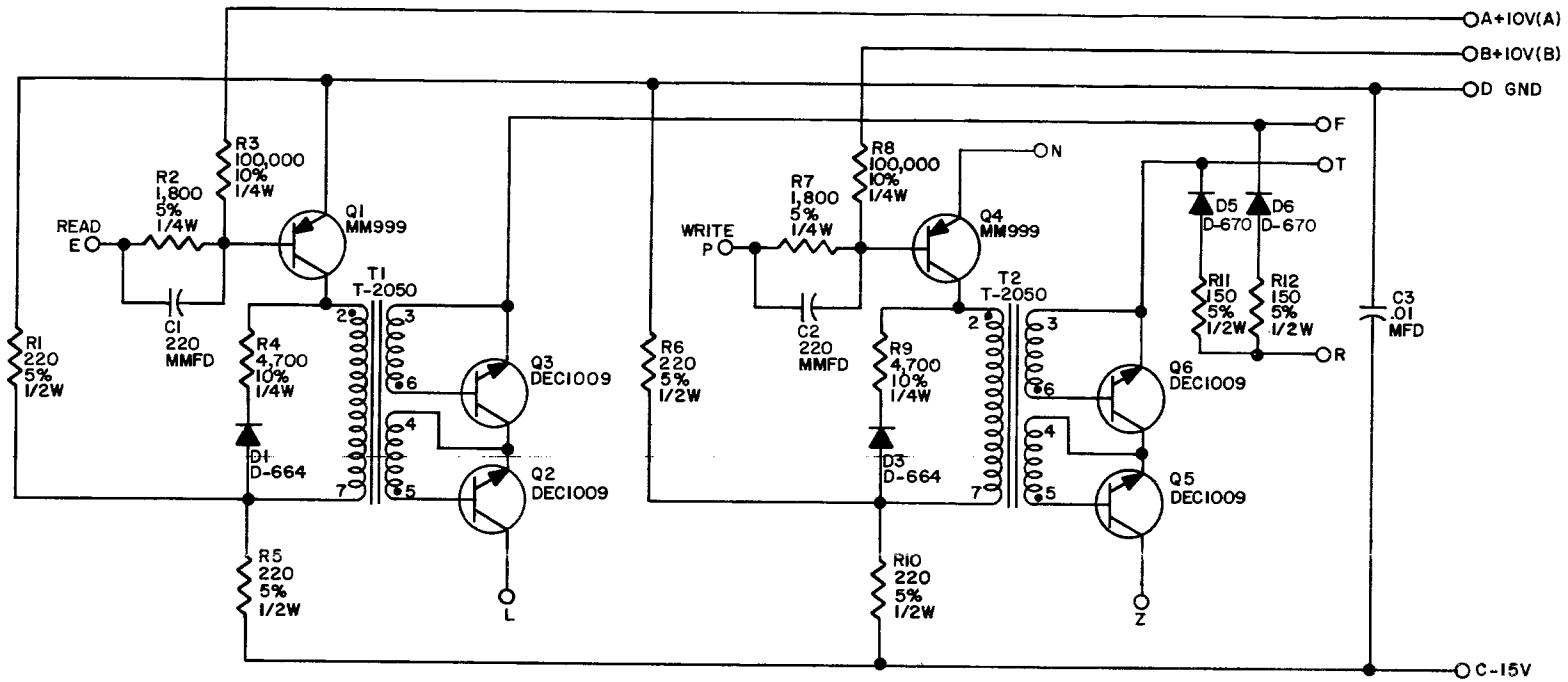
NOTES

THIS SCHEMATIC IS FURNISHED ONLY FOR TEST AND MAINTENANCE PURPOSES. THE CIRCUITS ARE PROPRIETARY IN NATURE AND SHOULD BE TREATED ACCORDINGLY.

COPYRIGHT 1964 BY DIGITAL EQUIPMENT CORPORATION

A B C D E F G H I J K L M N O P Q R S T U V W X Y Z		
C	RS-B-1998	2
INHIBIT DRIVER 1998		

RS-B-1999-3



TRANSISTOR & DIODE CONVERSION CHART			
DEC	EIA	DEC	EIA
DEC1009	DEC1009		
MM999	MM999		
D-664	IN914		
D-666	D-666		
D-670	1N3653		

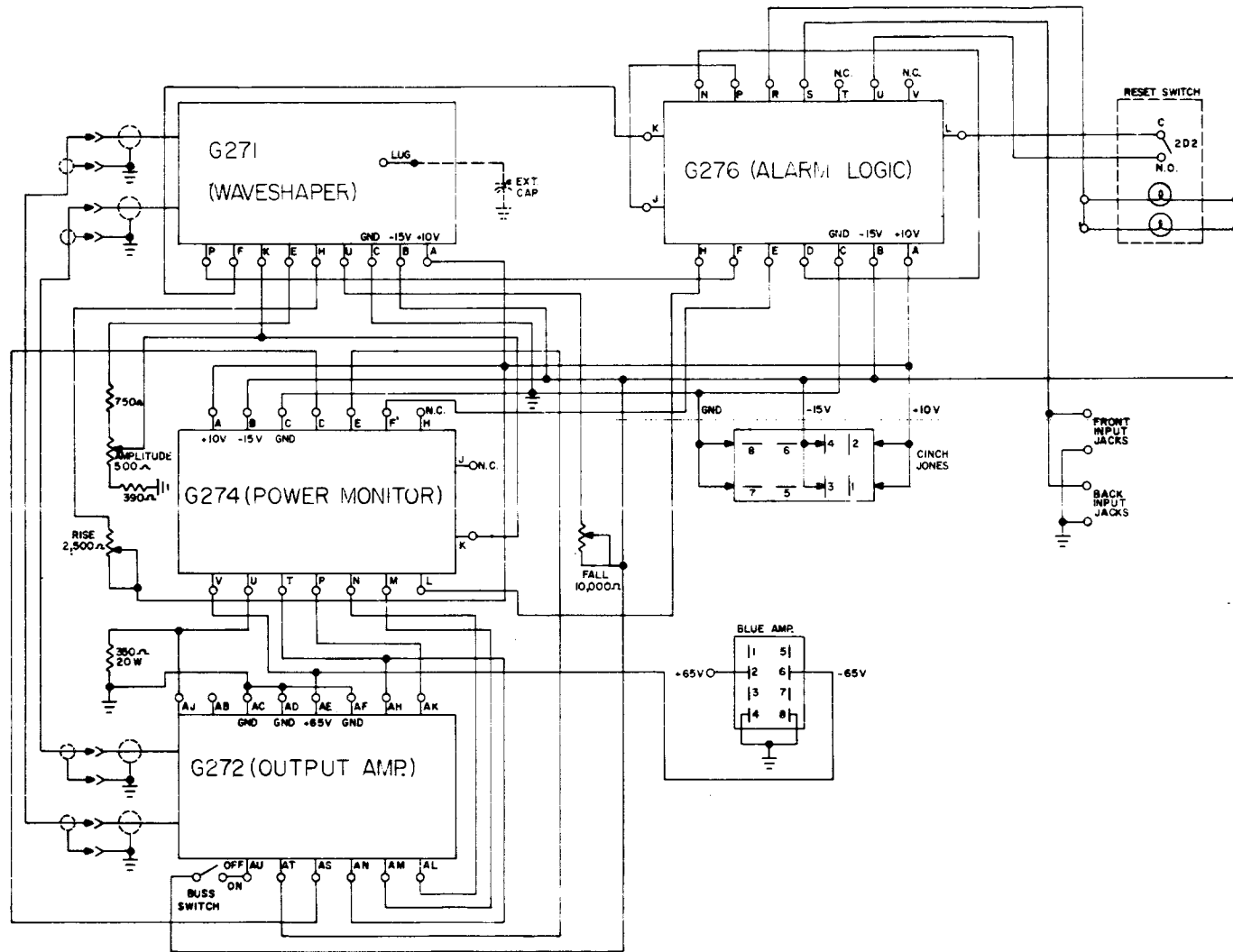
NOTES

THIS SCHEMATIC IS FURNISHED ONLY FOR TEST AND MAINTENANCE PURPOSES. THE CIRCUITS ARE PROPRIETARY IN NATURE AND SHOULD BE TREATED ACCORDINGLY.

COPYRIGHT 1964 BY DIGITAL EQUIPMENT CORPORATION

A	B	C	D	E	F	G	H	I	J	K	L	M	N	O	P	Q	R	S	T	U	V	W	X	Y	Z
B										RS-B-1999										3					
MEMORY PULSER 1999																									

DIGITAL EQUIPMENT CORPORATION • MAYNARD, MASSACHUSETTS

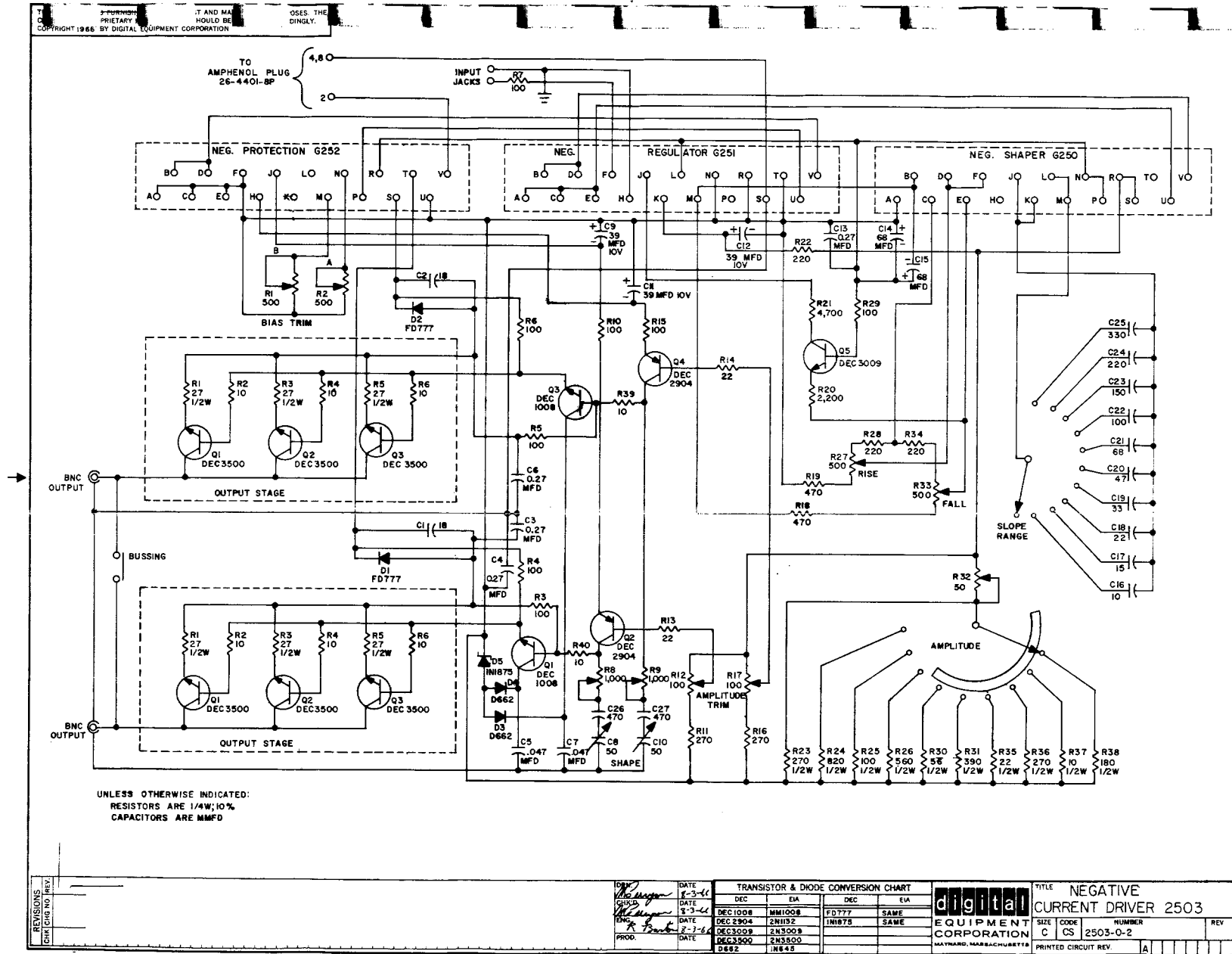


TRANSISTOR & DIODE CONVERSION CHART			
TYPE	TYPE	TYPE	TYPE

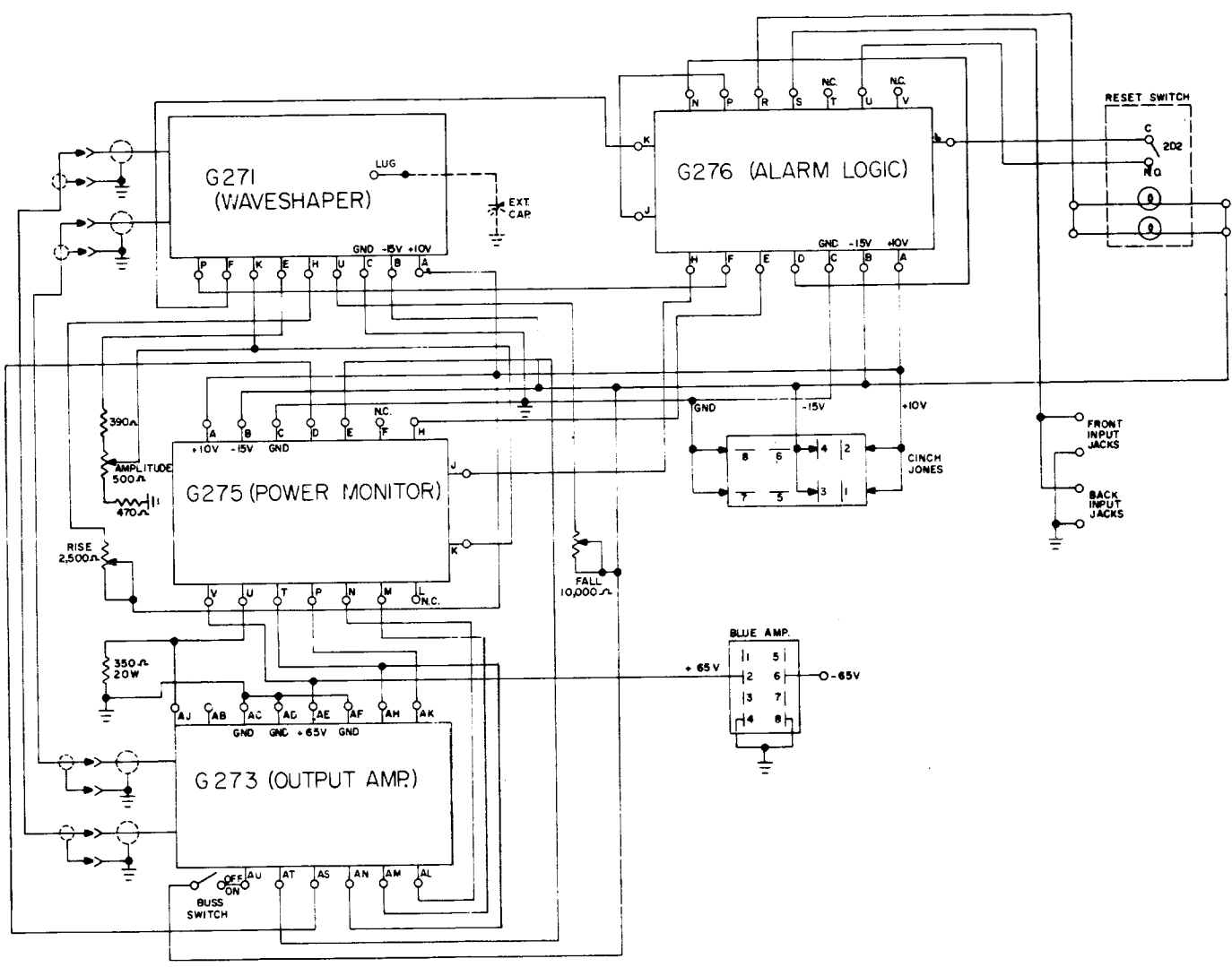
NOTES

THIS SCHEMATIC IS FURNISHED ONLY FOR TEST AND MAINTENANCE PURPOSES. THE CIRCUITS ARE PROPRIETARY IN NATURE AND SHOULD BE TREATED ACCORDINGLY.
COPYRIGHT 1965 BY DIGITAL EQUIPMENT CORPORATION

RS-C-2500	
CURRENT DRIVER (NEG) 2500	



DIGITAL EQUIPMENT CORPORATION • MAYNARD, MASSACHUSETTS



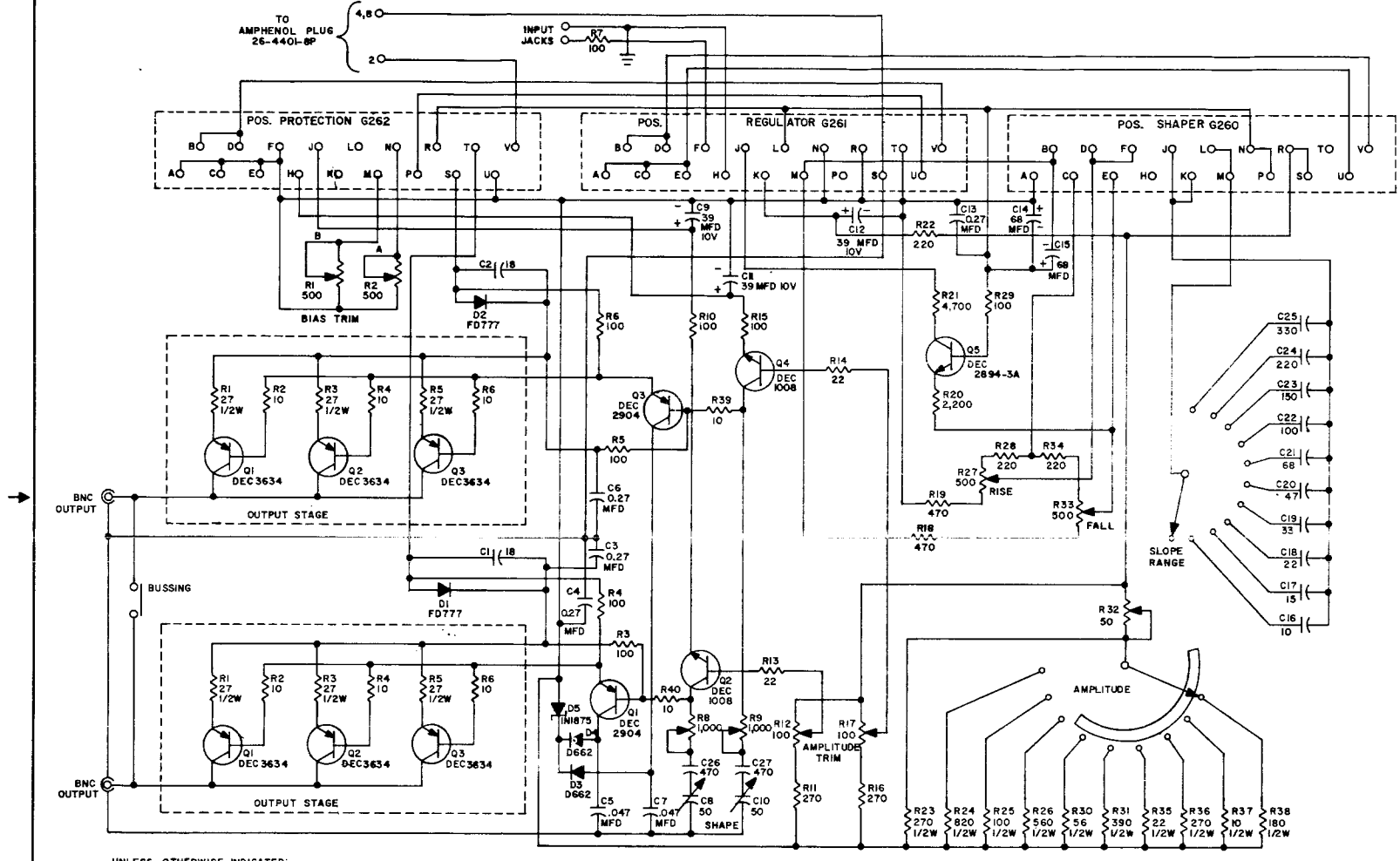
TRANSISTOR & DIODE CONVERSION CHART			
MANUFACTURER	TYPE	MANUFACTURER	TYPE

NOTES

THIS SCHEMATIC IS FURNISHED ONLY FOR TEST AND MAINTENANCE PURPOSES. THE CIRCUITS ARE PROPRIETARY IN NATURE AND SHOULD BE TREATED ACCORDINGLY.

SEPTEMBER 1965 BY DIGITAL EQUIPMENT CORPORATION

RS-C-2600	
CURRENT DRIVER (POS.) 2600	



UNLESS OTHERWISE INDICATED:
RESISTORS ARE 1/4W; 10%
CAPACITORS ARE MMFD

REVISIONS

CHK	DATE	BY

TRANSISTOR & DIODE CONVERSION CHART

DATE	BY	DATE	BY
DEC 2-56		DEC 2-56	
DEC 1008	MM1008	FD777	SAME
DEC 2904	2N1132	1N1875	SAME
DEC 2894-3A	NONE		
DEC 3634	2N3634		
D662	1N642		

TITLE

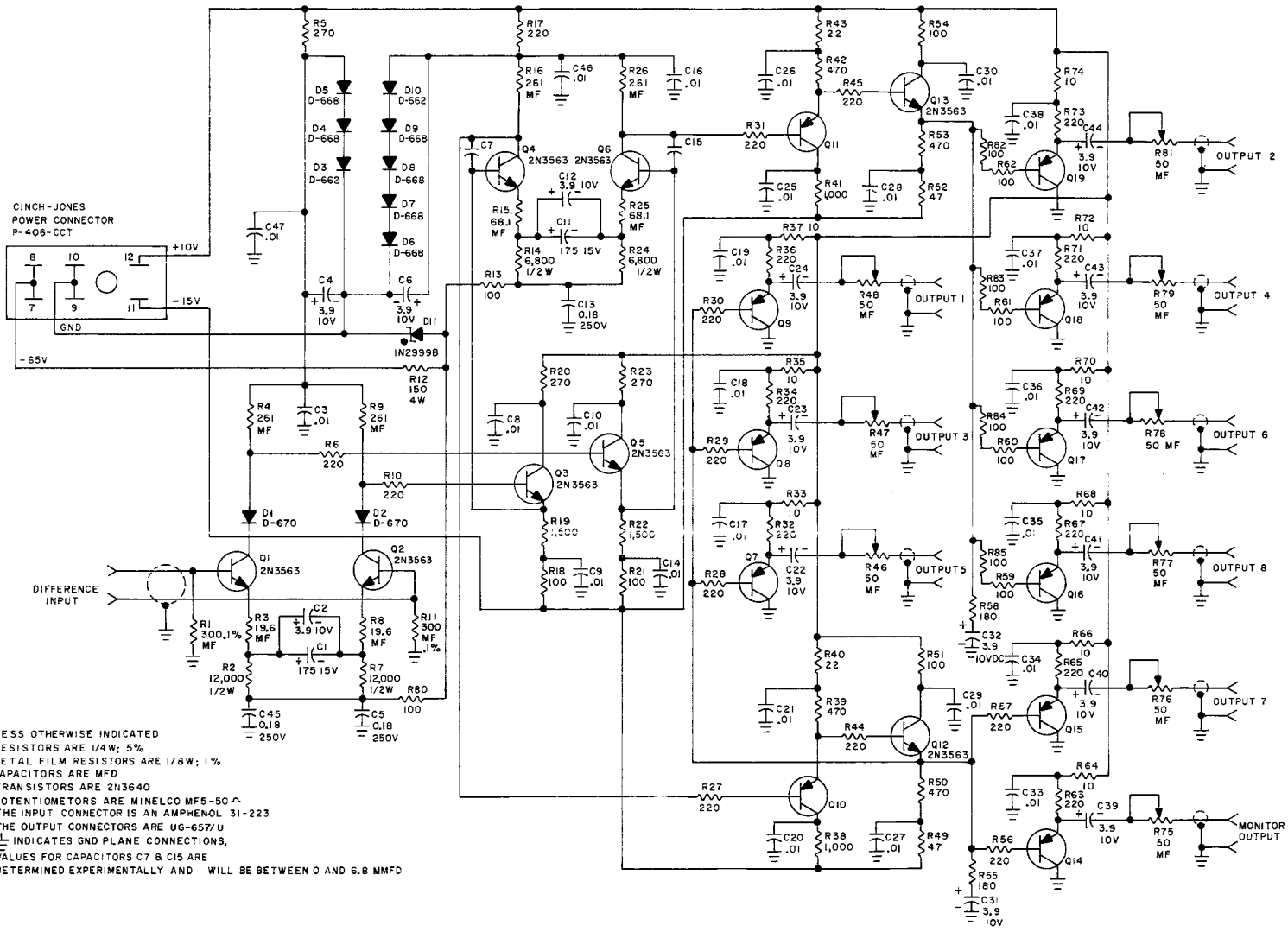
digital POSITIVE CURRENT DRIVER 2603

EQUIPMENT CORPORATION

SIZE CODE NUMBER REV.
C CS 2603-0-2

MAYNARD, MASSACHUSETTS PRINTED CIRCUIT REV. A

SIZE CODE NUMBER REV.
C CS 2603-0-2



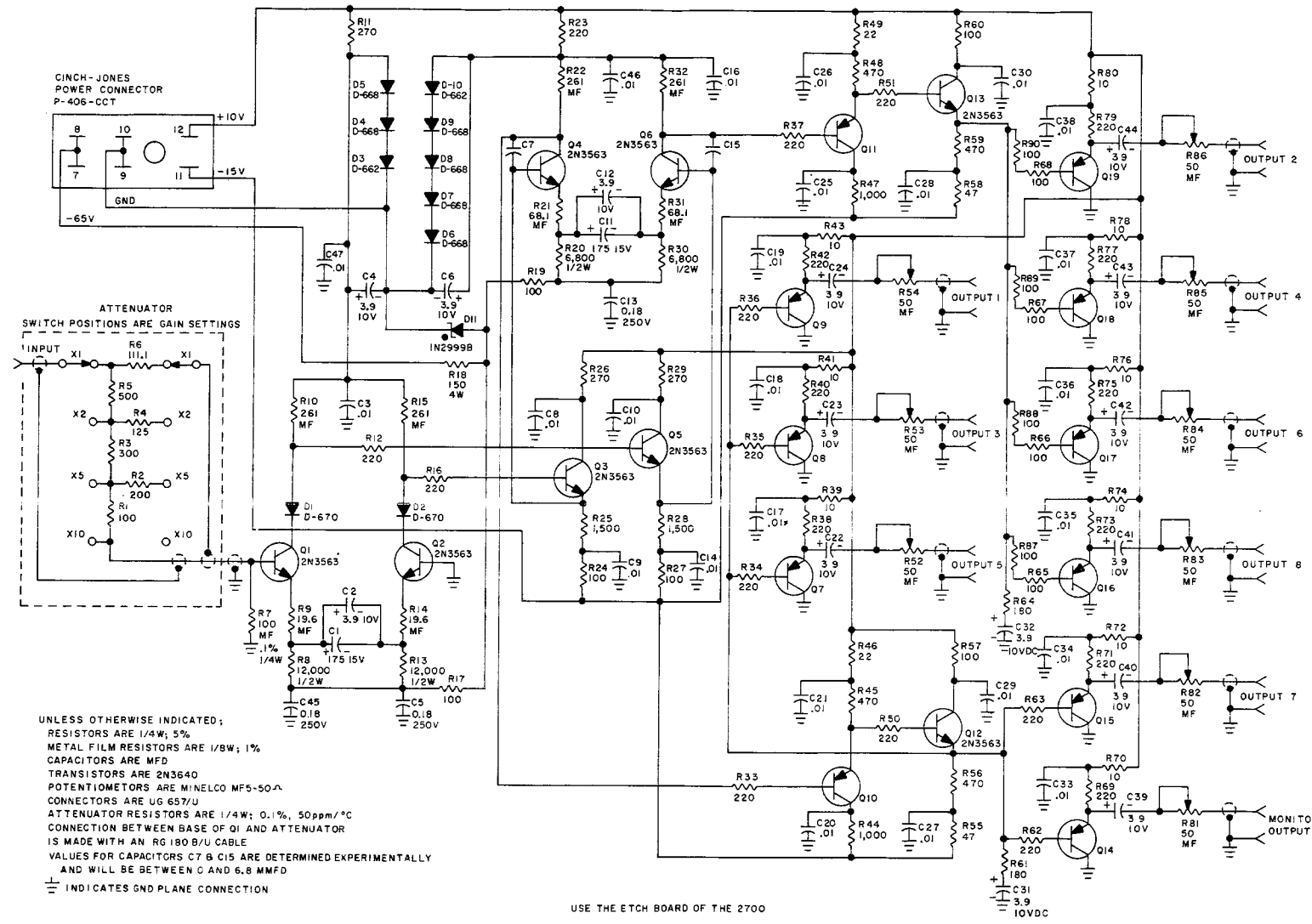
UNLESS OTHERWISE INDICATED
 RESISTORS ARE 1/4W; 5%
 METAL FILM RESISTORS ARE 1/8W; 1%
 CAPACITORS ARE MFD
 TRANSISTORS ARE 2N3640
 POTENTIOMETERS ARE MINELCO MF5-50-A
 THE INPUT CONNECTOR IS AN AMPHENOL 31-223
 THE OUTPUT CONNECTORS ARE UG-657/U
 ⊥ INDICATES GND PLANE CONNECTIONS,
 VALUES FOR CAPACITORS C7 & C15 ARE
 DETERMINED EXPERIMENTALLY AND WILL BE BETWEEN 0 AND 6.8 MMFD

TRANSISTOR & DIODE CONVERSION CHART			
DES	2N	50C	50A
2N3563	2N3563		
2N3640	2N3640		
2N3642	2N3642		
D-662	1N459		
D-670	1N5693		
D-669	1N5693		

NOTES
 * TWO 1N3606 IN SERIES

THIS SCHEMATIC IS FURNISHED ONLY FOR
 TEST AND MAINTENANCE PURPOSES. THE
 CIRCUITS ARE PROPRIETARY IN NATURE AND
 SHOULD BE TREATED ACCORDINGLY.
 COPYRIGHT 1966 BY DIGITAL EQUIPMENT CORPORATION

B RS-C-2700 I		
DIFFERENCE AMPLIFIER 2700		



UNLESS OTHERWISE INDICATED;
 RESISTORS ARE 1/4W; 5%
 METAL FILM RESISTORS ARE 1/8W; 1%
 CAPACITORS ARE MFD
 TRANSISTORS ARE 2N3640
 POTENTIOMETERS ARE MINELCO MF5-50A
 CONNECTORS ARE UC 657/U
 ATTENUATOR RESISTORS ARE 1/4W; 0.1%, 50ppm/°C
 CONNECTION BETWEEN BASE OF Q1 AND ATTENUATOR
 IS MADE WITH AN RG 180B/U CABLE
 VALUES FOR CAPACITORS C7 & C15 ARE DETERMINED EXPERIMENTALLY
 AND WILL BE BETWEEN 0 AND 6.8 MMFD
 ⊥ INDICATES GND PLANE CONNECTION

USE THE ETCH BOARD OF THE 2700

TRANSISTOR & DIODE CONVERSION CHART			
DEC	EA	DEC	EA
2N3640	2N3640		
2N3563	2N3563		
D-662	1N455		
D-670	1N3553		
D-668	1N448		

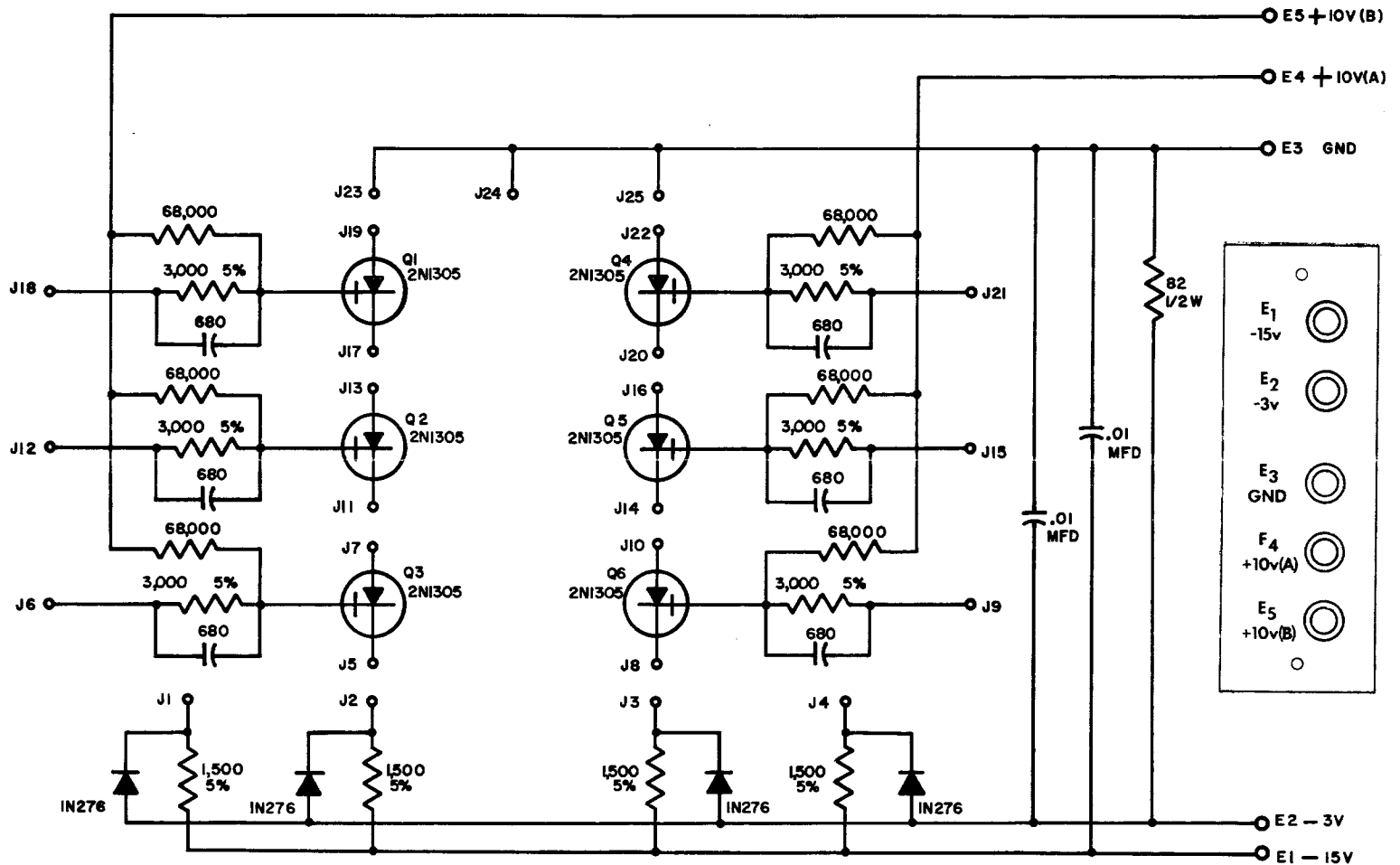
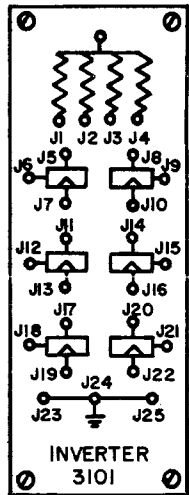
NOTES
 * TWO 1N2806 IN SERIES

THIS SCHEMATIC IS FURNISHED ONLY FOR TEST AND MAINTENANCE PURPOSES. THE CIRCUITS ARE PROPRIETARY IN NATURE AND SHOULD BE TREATED ACCORDINGLY.

COPYRIGHT 1966 BY DIGITAL EQUIPMENT CORPORATION

B		RS-C-2701
VARIABLE GAIN AMPLIFIER 2701		

RS-310I-5



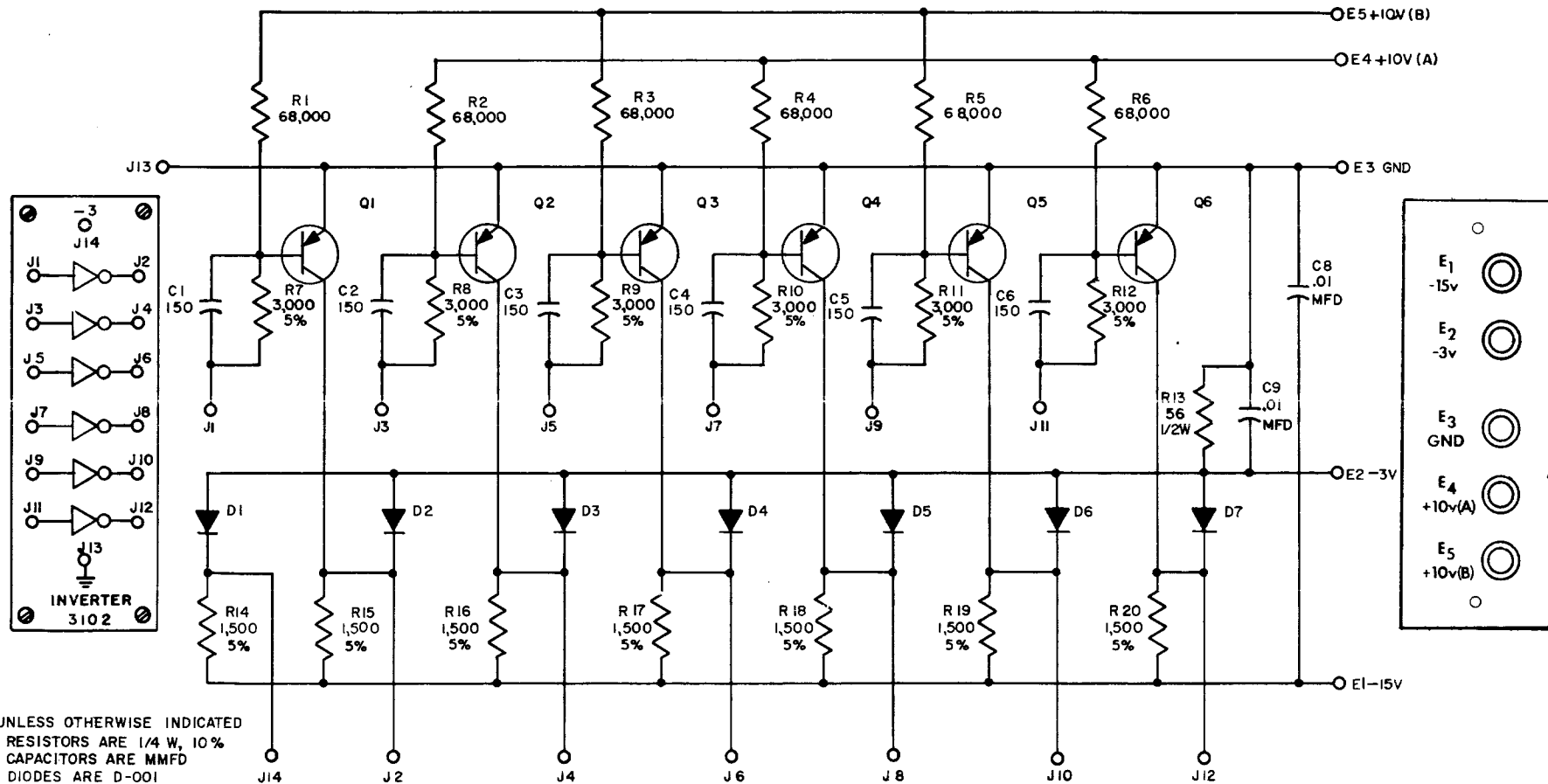
UNLESS OTHERWISE INDICATED:
RESISTORS ARE 1/4W, 10%
CAPACITORS ARE MMFD

INVERTER 310I (B,C) RS-310I-5

THIS SCHEMATIC IS FURNISHED ONLY FOR TEST AND MAINTENANCE PURPOSES. THE CIRCUITS ARE PROPRIETARY IN NATURE AND SHOULD BE TREATED ACCORDINGLY.

COPYRIGHT 1963 BY DIGITAL EQUIPMENT CORPORATION

RS-3102-5

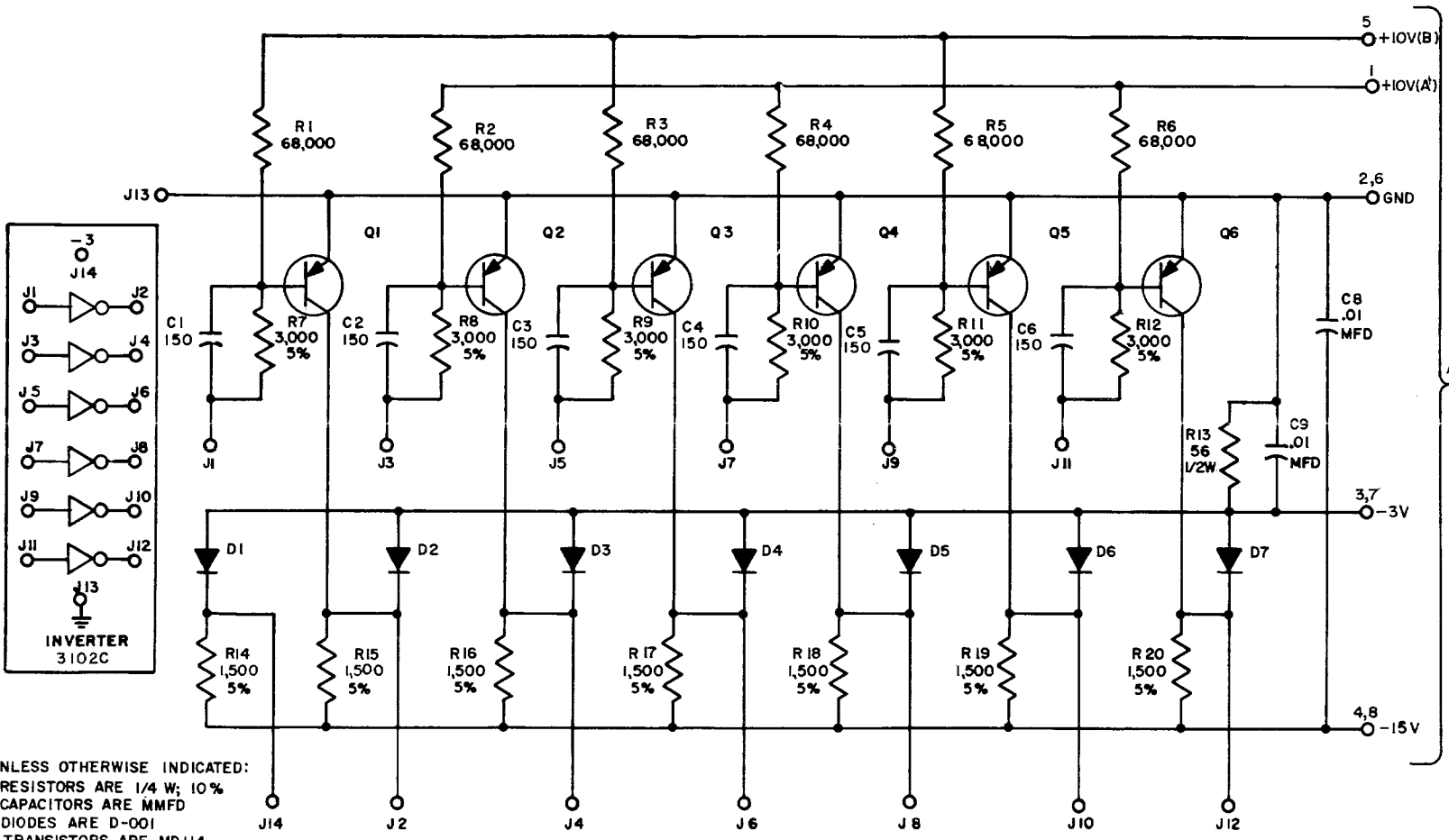


UNLESS OTHERWISE INDICATED
 RESISTORS ARE 1/4 W, 10%
 CAPACITORS ARE MMFD
 DIODES ARE D-001
 TRANSISTORS ARE MD114

TRANSISTOR & DIODE CONVERSION CHART				NOTES	THIS SCHEMATIC IS FURNISHED ONLY FOR TEST AND MAINTENANCE PURPOSES. THE CIRCUITS ARE PROPRIETARY IN NATURE AND SHOULD BE TREATED ACCORDINGLY.
DEC	EIA	DEC	EIA		
D-001	IN276				A, B
MD114	2N1499A				
					5
					INVERTER 3102

COPYRIGHT 1963 BY DIGITAL EQUIPMENT CORPORATION

RS-3102C-1



AMPHENOL
26-182
PLUG

UNLESS OTHERWISE INDICATED:
RESISTORS ARE 1/4 W; 10%
CAPACITORS ARE MMFD
DIODES ARE D-001
TRANSISTORS ARE MD114

TRANSISTOR & DIODE CONVERSION CHART			
DEC	EIA	DEC	EIA
MD114	2N1499A		
D-001	1N276		

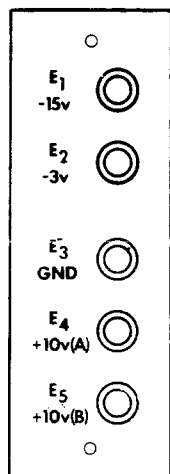
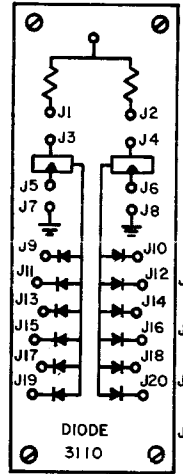
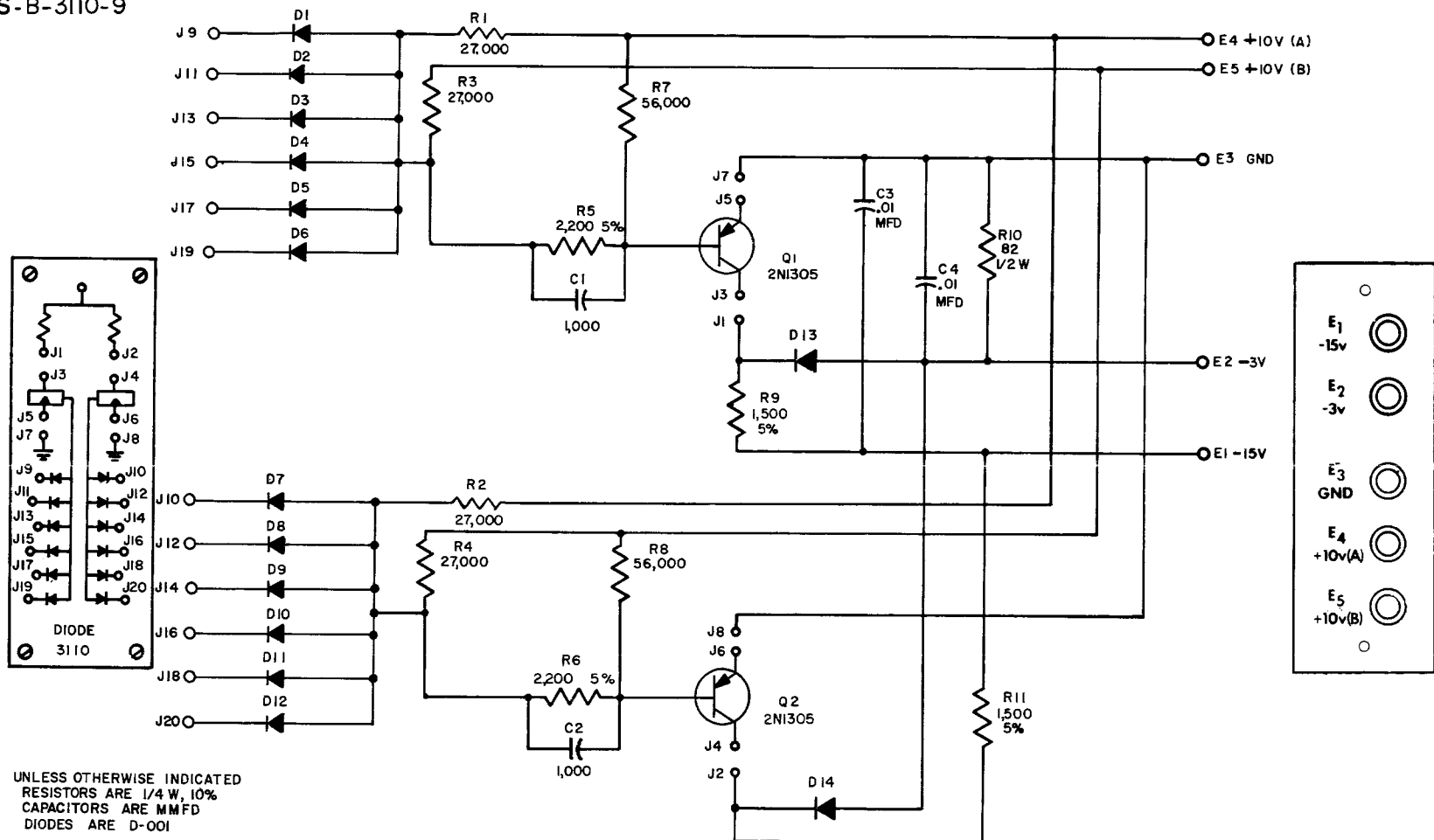
NOTES

THIS SCHEMATIC IS FURNISHED ONLY FOR TEST AND MAINTENANCE PURPOSES. THE CIRCUITS ARE PROPRIETARY IN NATURE AND SHOULD BE TREATED ACCORDINGLY.

COPYRIGHT 1963 BY DIGITAL EQUIPMENT CORPORATION

A,B	RS-3102C	I
INVERTER 3102C		

RS-B-3110-9



TRANSISTOR & DIODE CONVERSION CHART			
DEC	EIA	DEC	EIA
2N1305	2N1305		
D-001	1N276		

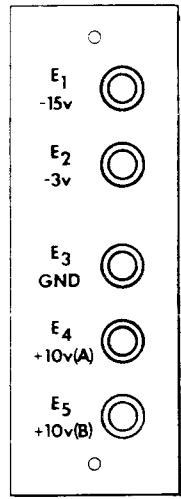
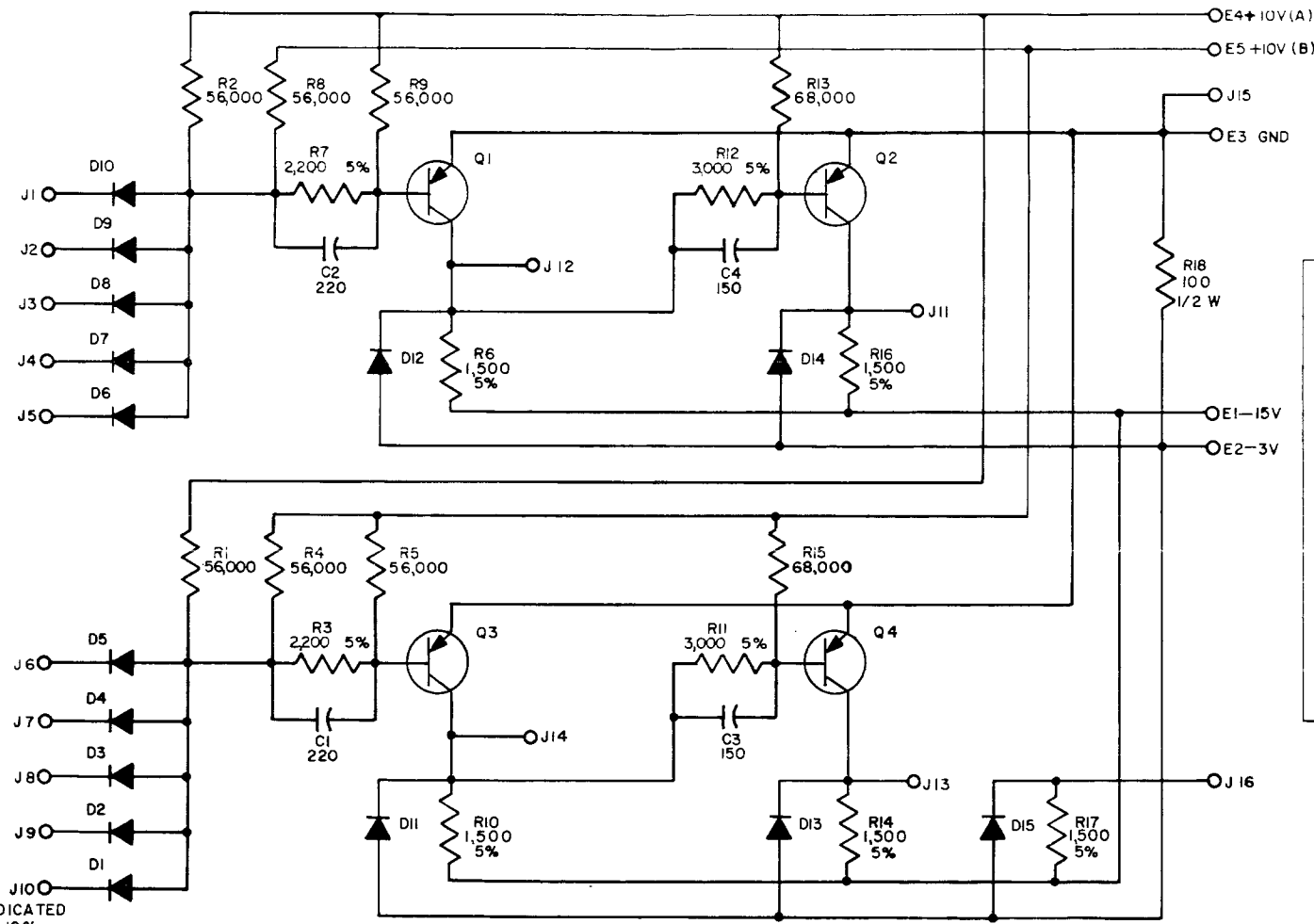
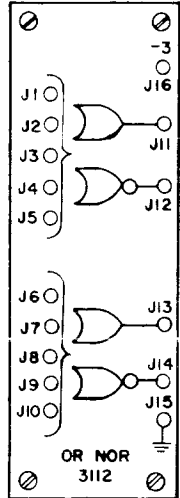
NOTES

THIS SCHEMATIC IS FURNISHED ONLY FOR TEST AND MAINTENANCE PURPOSES. THE CIRCUITS ARE PROPRIETARY IN NATURE AND SHOULD BE TREATED ACCORDINGLY.

COPYRIGHT 1963 BY DIGITAL EQUIPMENT CORPORATION

E,F,H	RS-B-3110	9
DIODE UNIT 3110		

RS-3112-6



UNLESS OTHERWISE INDICATED
RESISTORS ARE 1/4W, 10%.
CAPACITORS ARE MMFD
DIODES ARE D-001
TRANSISTORS ARE MD114

TRANSISTOR & DIODE CONVERSION CHART			
DEC	EIA	DEC	EIA
D-001	1N276		
MD114	2N1499A		

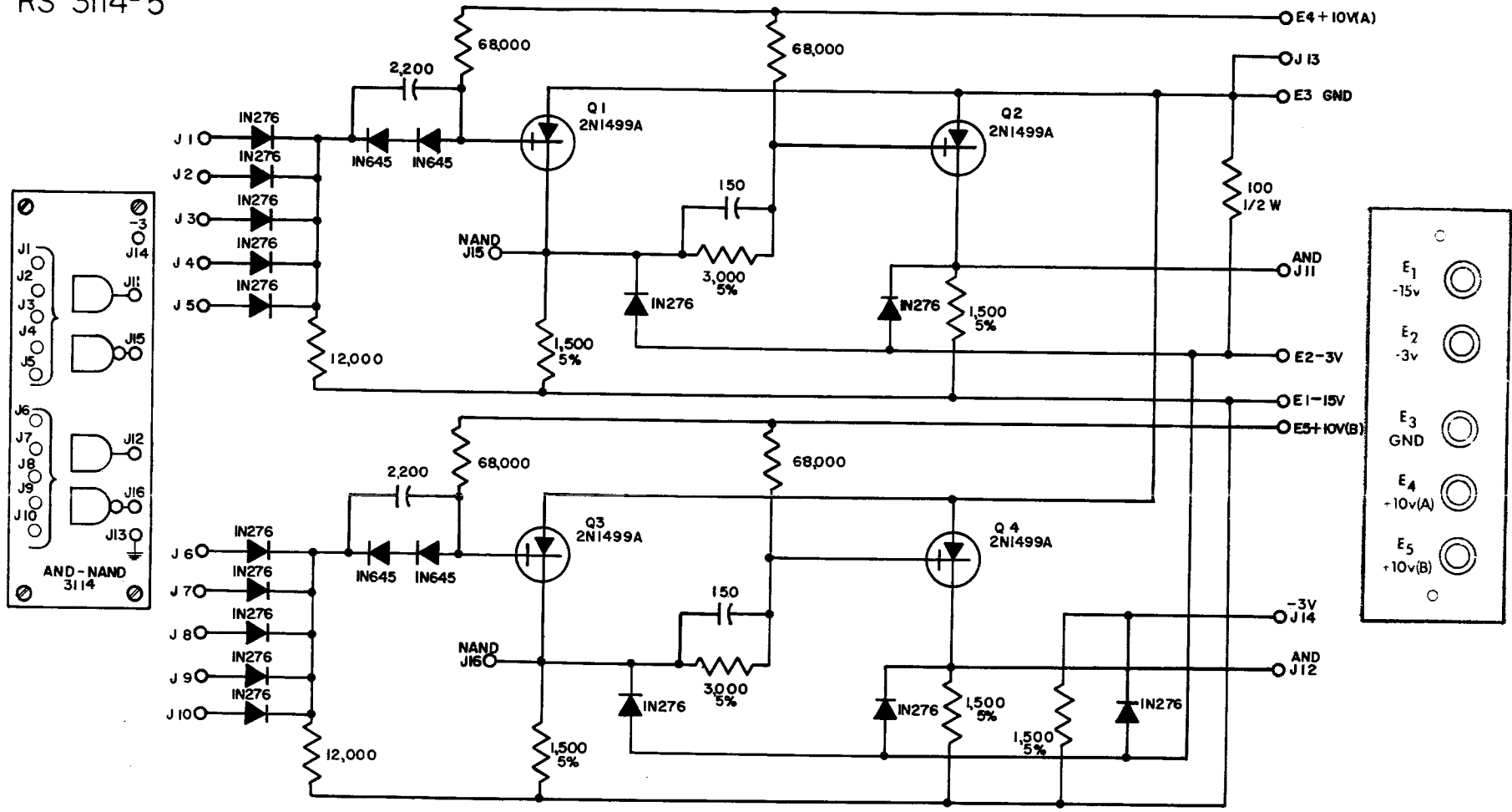
NOTES

THIS SCHEMATIC IS FURNISHED ONLY FOR TEST AND MAINTENANCE PURPOSES. THE CIRCUITS ARE PROPRIETARY IN NATURE AND SHOULD BE TREATED ACCORDINGLY.

COPYRIGHT 1963 BY DIGITAL EQUIPMENT CORPORATION

A, B	RS-3112	6
OR-NOR 3112		

RS-3114-5



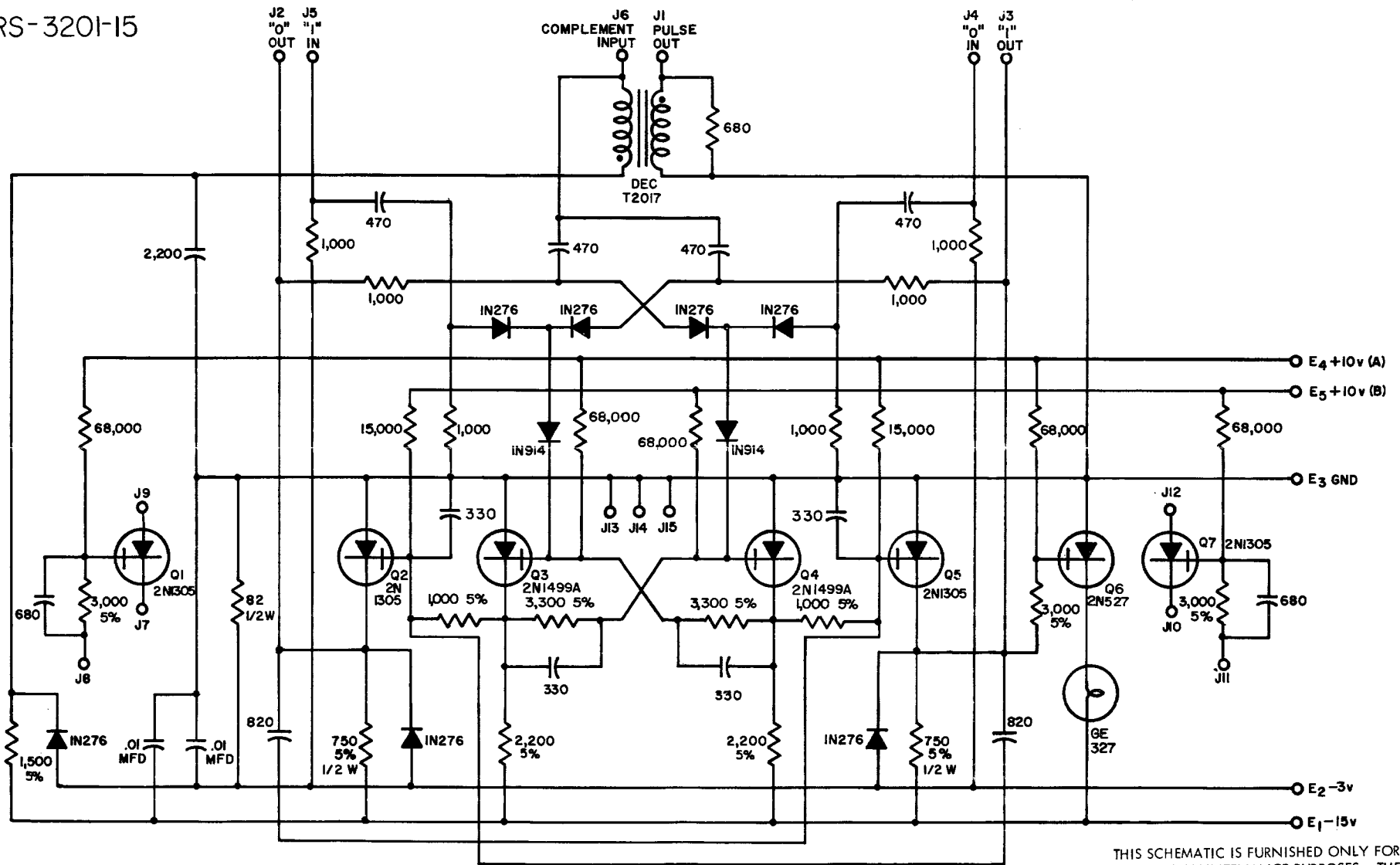
UNLESS OTHERWISE INDICATED:
RESISTORS ARE 1/4W, 10%
CAPACITORS ARE MMFD

THIS SCHEMATIC IS FURNISHED ONLY FOR
TEST AND MAINTENANCE PURPOSES. THE
CIRCUITS ARE PROPRIETARY IN NATURE AND
SHOULD BE TREATED ACCORDINGLY.

AND-NAND 3114 (B,C) RS-3114-5

COPYRIGHT 1963 BY DIGITAL EQUIPMENT CORPORATION

RS-320I-15



UNLESS OTHERWISE INDICATED RESISTORS
ARE 1/4 W, 10% CAPACITORS ARE MMFD.

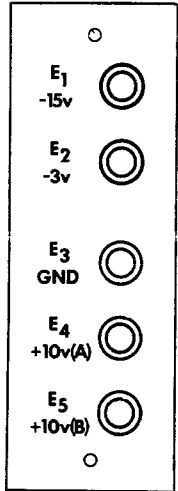
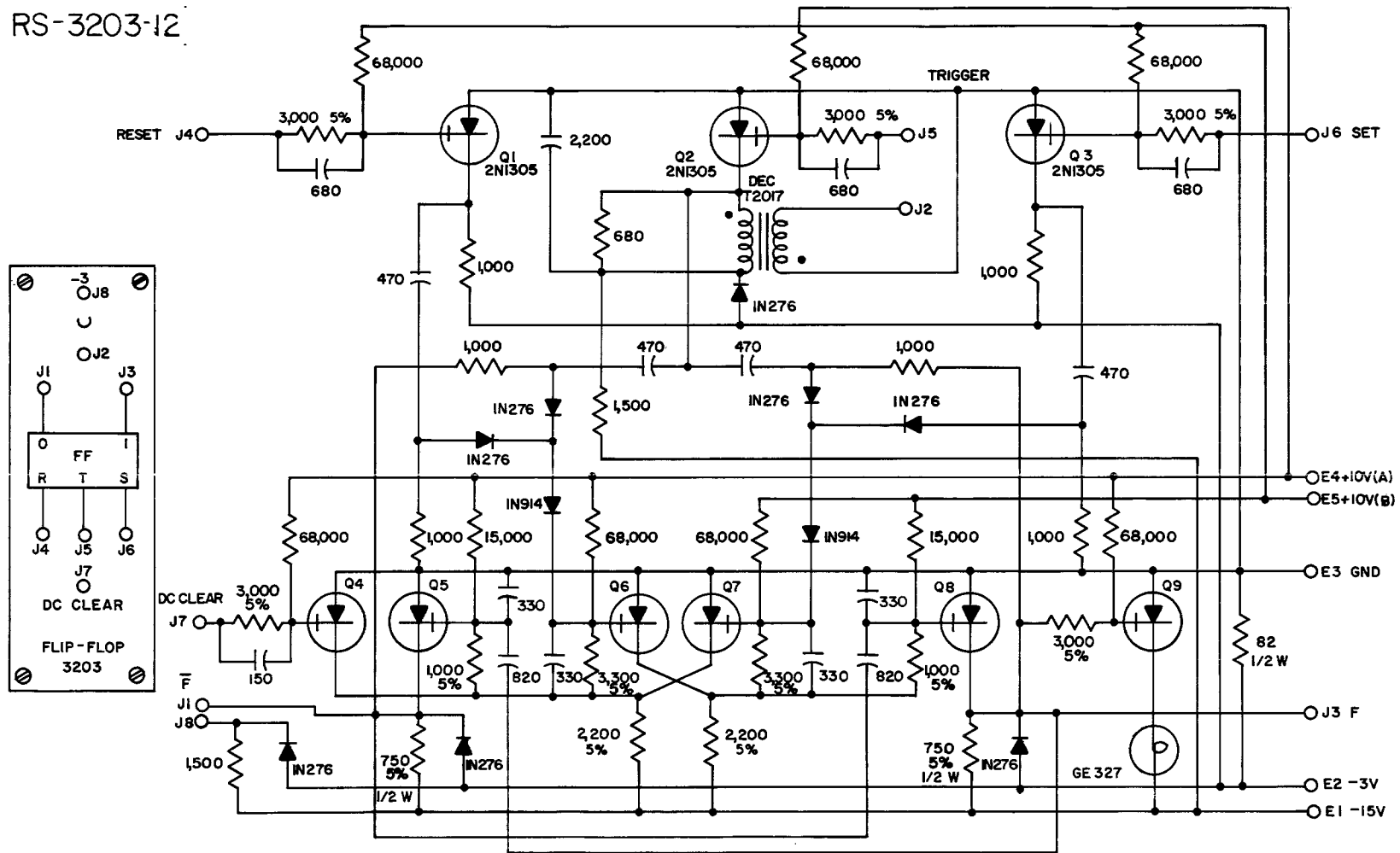
FLIP-FLOP 320I (J) RS-320I-15

THIS SCHEMATIC IS FURNISHED ONLY FOR
TEST AND MAINTENANCE PURPOSES. THE
CIRCUITS ARE PROPRIETARY IN NATURE AND
SHOULD BE TREATED ACCORDINGLY.

COPYRIGHT 1963 BY DIGITAL EQUIPMENT CORPORATION

DIGITAL EQUIPMENT CORPORATION • MAYNARD, MASSACHUSETTS

RS-3203-12



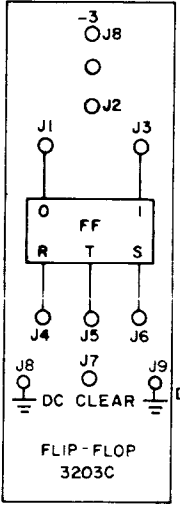
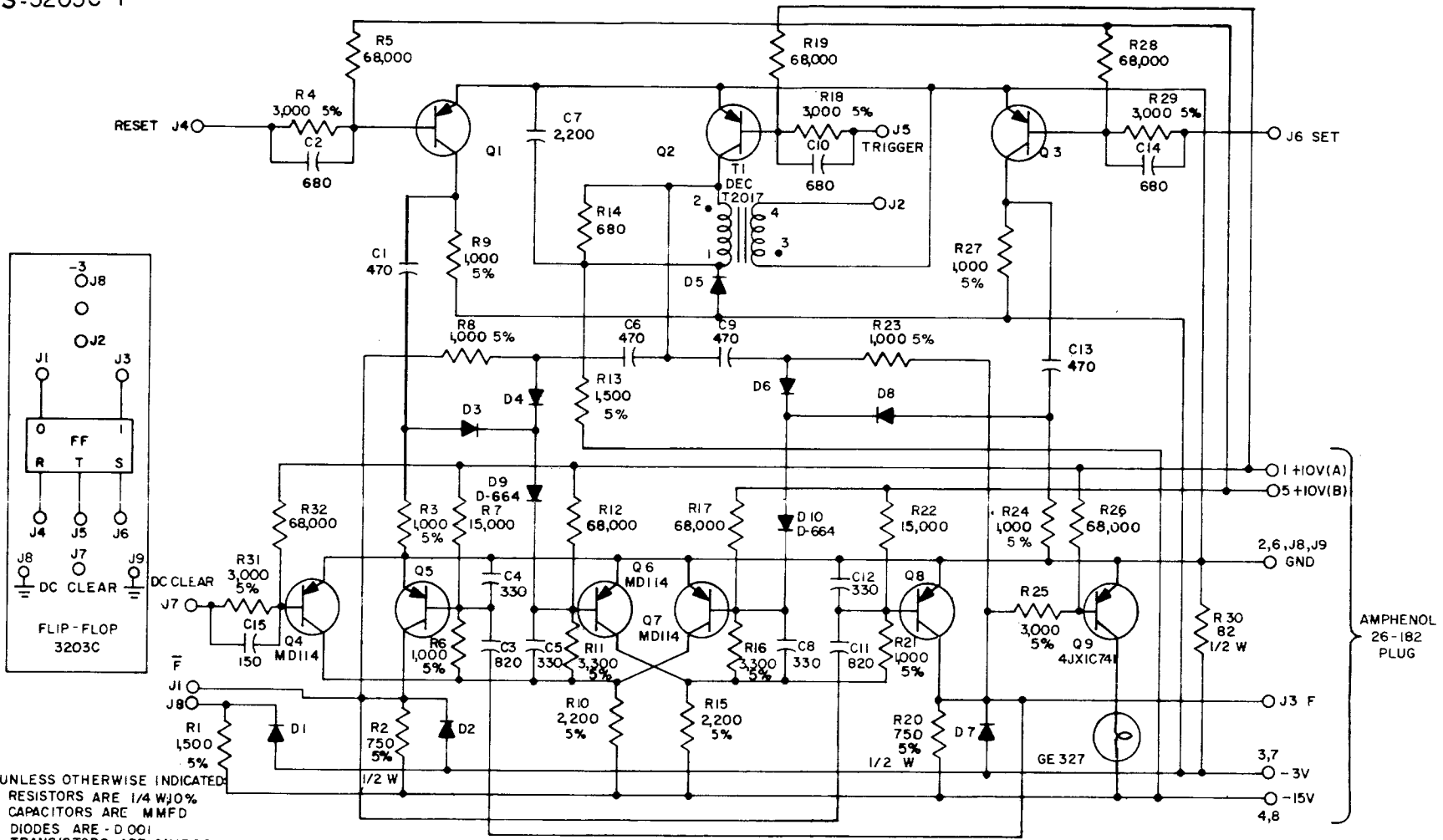
UNLESS OTHERWISE INDICATED:
 RESISTORS ARE 1/4 W, 10%
 CAPACITORS ARE MMFD
 TRANSISTORS Q5 AND Q8 ARE 2N1305;
 Q4, Q6, AND Q7 ARE 2N1499A; Q9 IS 2N527

FLIP-FLOP 3203 (B) RS-3203-12

THIS SCHEMATIC IS FURNISHED ONLY FOR TEST AND MAINTENANCE PURPOSES. THE CIRCUITS ARE PROPRIETARY IN NATURE AND SHOULD BE TREATED ACCORDINGLY.

COPYRIGHT 1963 BY DIGITAL EQUIPMENT CORPORATION

RS-3203C-1



UNLESS OTHERWISE INDICATED:
 RESISTORS ARE 1/4 W 10%
 CAPACITORS ARE MMFD
 DIODES ARE - D-001
 TRANSISTORS ARE 2N1305

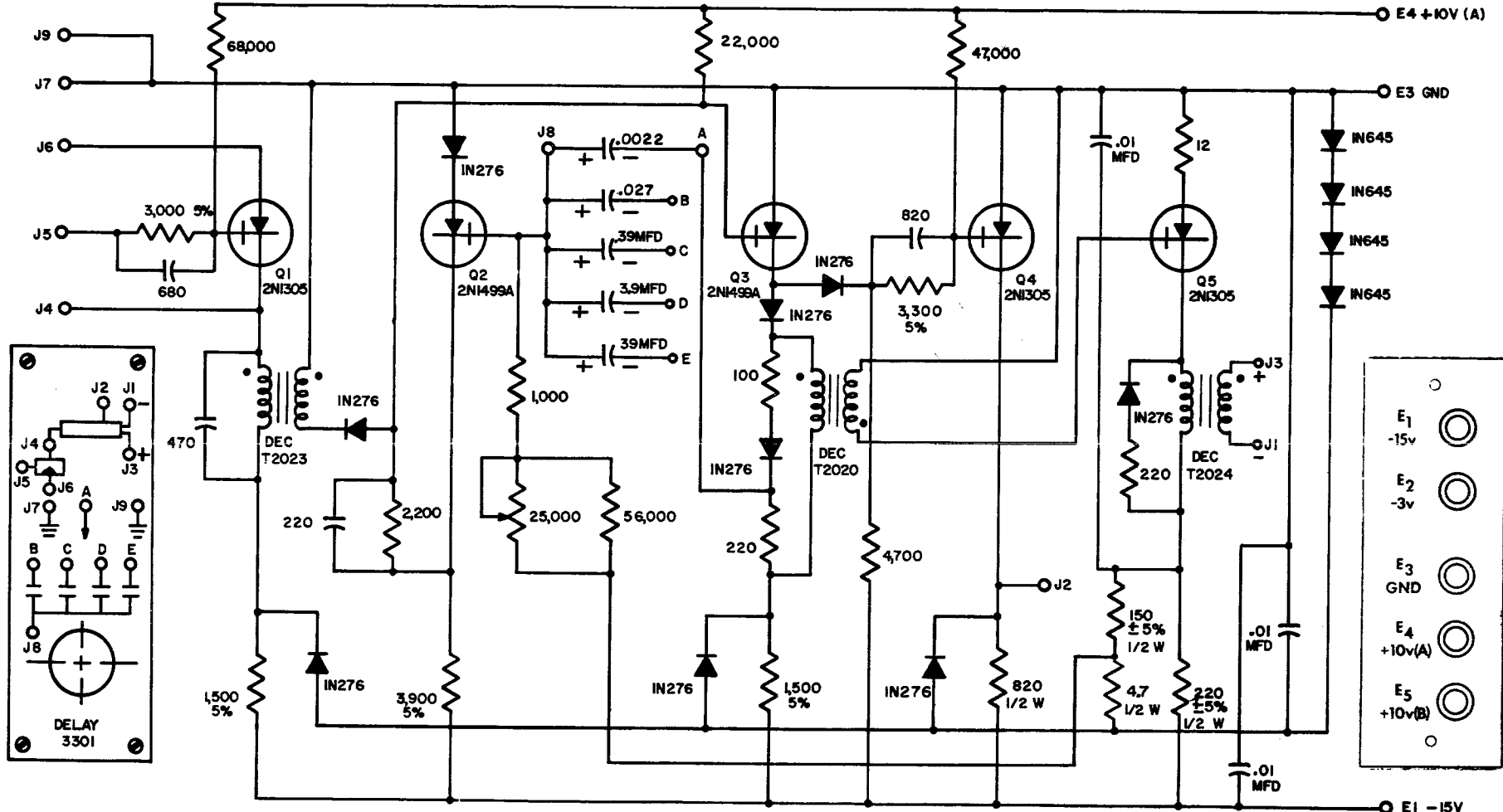
DEC	EIA	DEC	EIA
MD114	2N1499A		
4JX1C741	2N527		
2N1305	2N1305		
D-001	1N276		
D-664	1N914		

NOTES

THIS SCHEMATIC IS FURNISHED ONLY FOR TEST AND MAINTENANCE PURPOSES THE CIRCUITS ARE PROPRIETARY IN NATURE AND SHOULD BE TREATED ACCORDINGLY
 COPYRIGHT 1963 BY DIGITAL EQUIPMENT CORPORATION

B,C	RS-3203C	I
FLIP-FLOP 3203C		

RS-3301-13



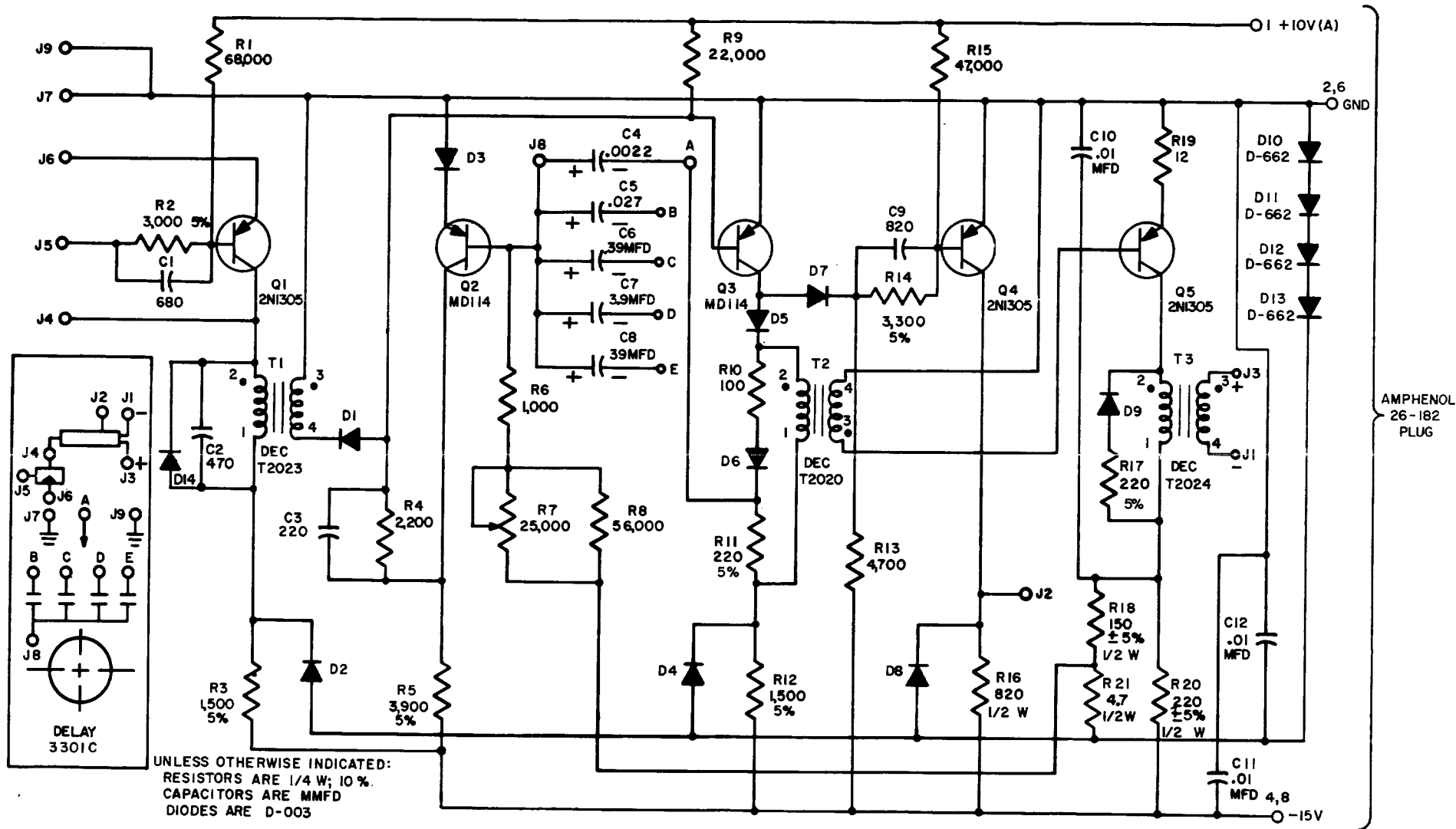
UNLESS OTHERWISE INDICATED
RESISTORS ARE 1/4W, 10%
CAPACITORS ARE MMFD

DELAY 3301 (B,C) RS-3301-13

THIS SCHEMATIC IS FURNISHED ONLY FOR TEST AND MAINTENANCE PURPOSES. THE CIRCUITS ARE PROPRIETARY IN NATURE AND SHOULD BE TREATED ACCORDINGLY.

COPYRIGHT 1963 BY DIGITAL EQUIPMENT CORPORATION

RS-B-330IC-3



TRANSISTOR & DIODE CONVERSION CHART

DEC	EIA	DEC	EIA
MD114	2N1499A		
2N1305	2N1305		
D-003	1N994		
D-662	1N645		

NOTES

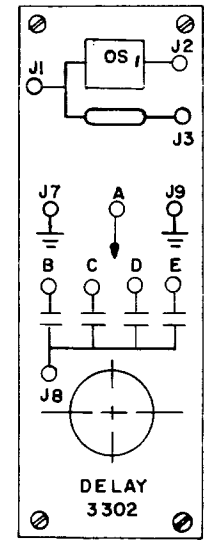
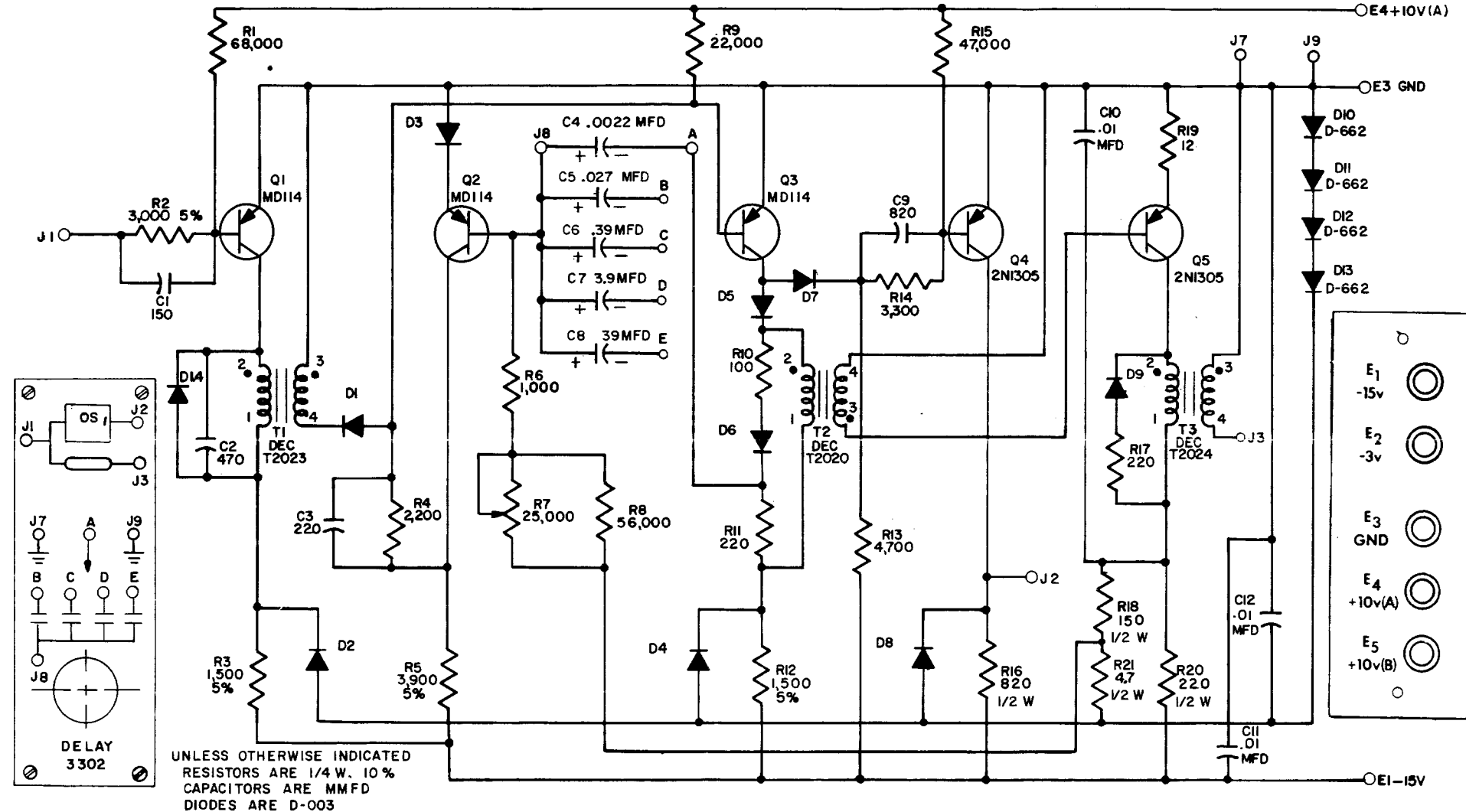
THIS SCHEMATIC IS FURNISHED ONLY FOR TEST AND MAINTENANCE PURPOSES. THE CIRCUITS ARE PROPRIETARY IN NATURE AND SHOULD BE TREATED ACCORDINGLY.

COPYRIGHT 1963 BY DIGITAL EQUIPMENT CORPORATION

E RS-B-330IC 3

DELAY 330IC

RS-B-3302-10



TRANSISTOR & DIODE CONVERSION CHART			
DEC	EIA	DEC	EIA
MD114	2N1499A		
2N1305	2N1305		
D-003	1N994		
D-662	1N845		

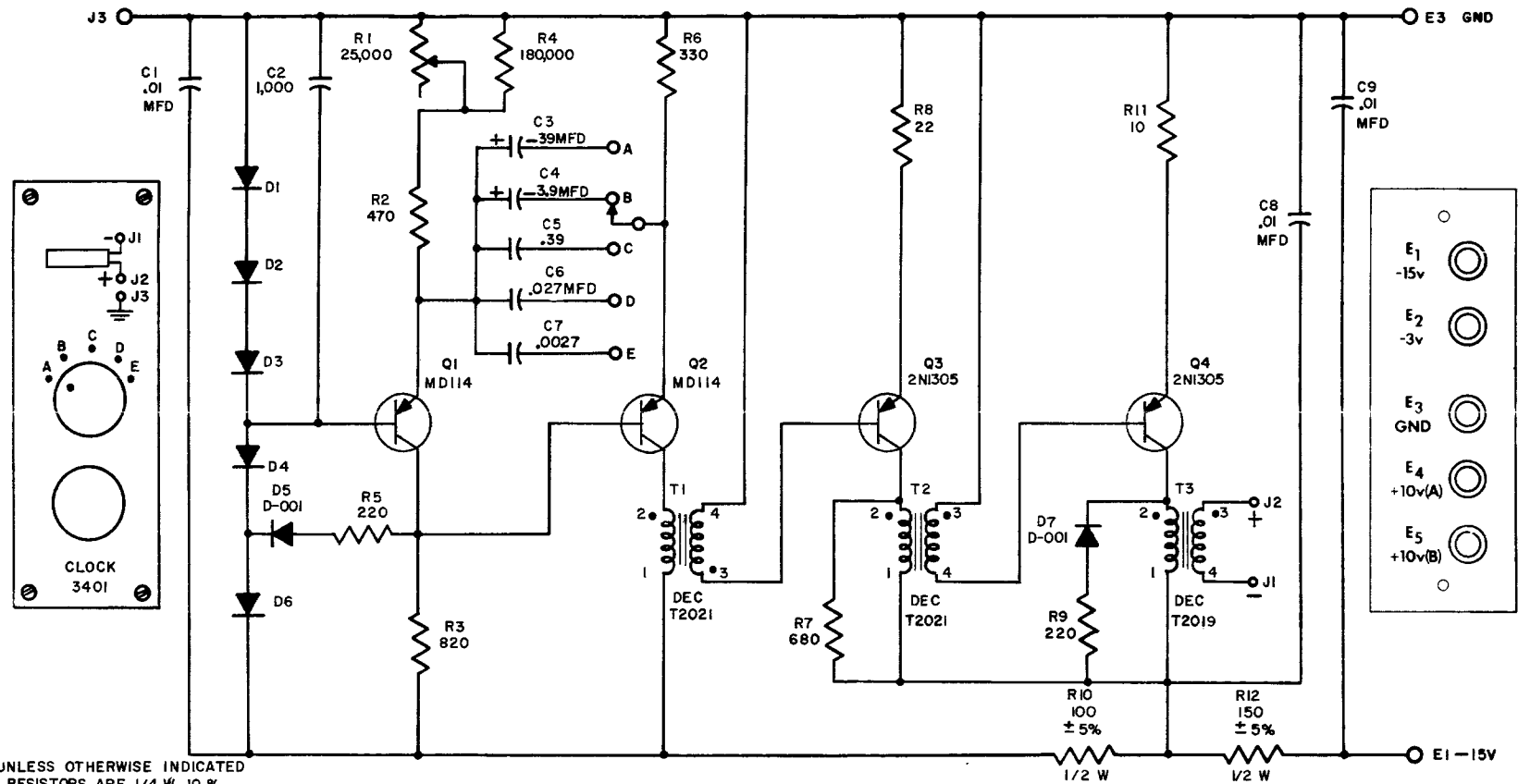
NOTES

THIS SCHEMATIC IS FURNISHED ONLY FOR TEST AND MAINTENANCE PURPOSES. THE CIRCUITS ARE PROPRIETARY IN NATURE AND SHOULD BE TREATED ACCORDINGLY.

COPYRIGHT 1963 BY DIGITAL EQUIPMENT CORPORATION

E	RS-B-3302	10
DELAY 3302		

RS-B-340I-10



UNLESS OTHERWISE INDICATED
 RESISTORS ARE 1/4 W, 10 %
 CAPACITORS ARE MMFD
 DIODES ARE D-662

TRANSISTOR & DIODE CONVERSION CHART			
DEC	EIA	DEC	EIA
D-001	1N276		
D-662	1N645		
MD114	2N1499A		
2N1305	2N1305		

NOTES

THIS SCHEMATIC IS FURNISHED ONLY FOR TEST AND MAINTENANCE PURPOSES THE CIRCUITS ARE PROPRIETARY IN NATURE AND SHOULD BE TREATED ACCORDINGLY.

COPYRIGHT 1959 BY DIGITAL EQUIPMENT CORPORATION

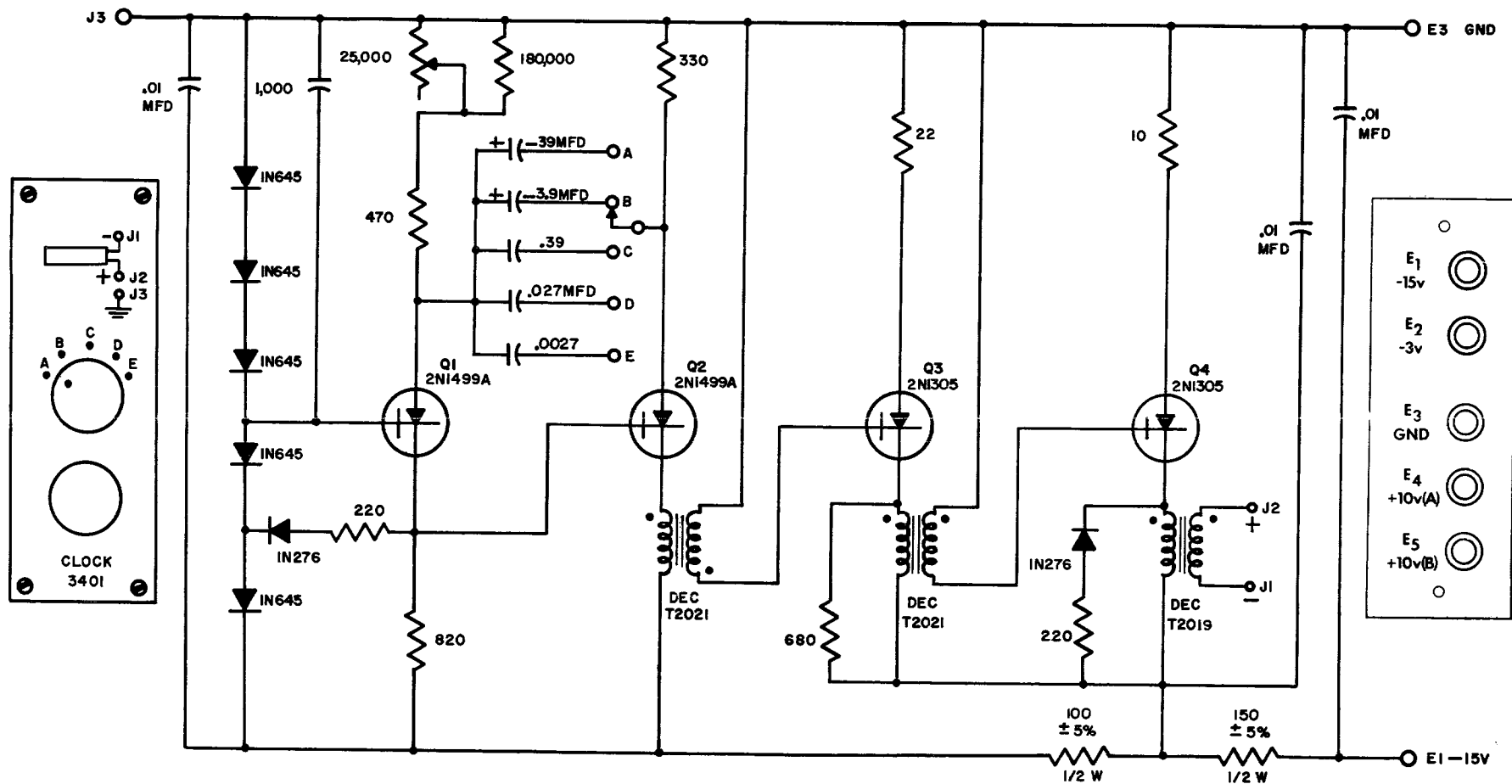
C, D, E, F

RS-B-340I

10

CLOCK 340I

RS-340I-8



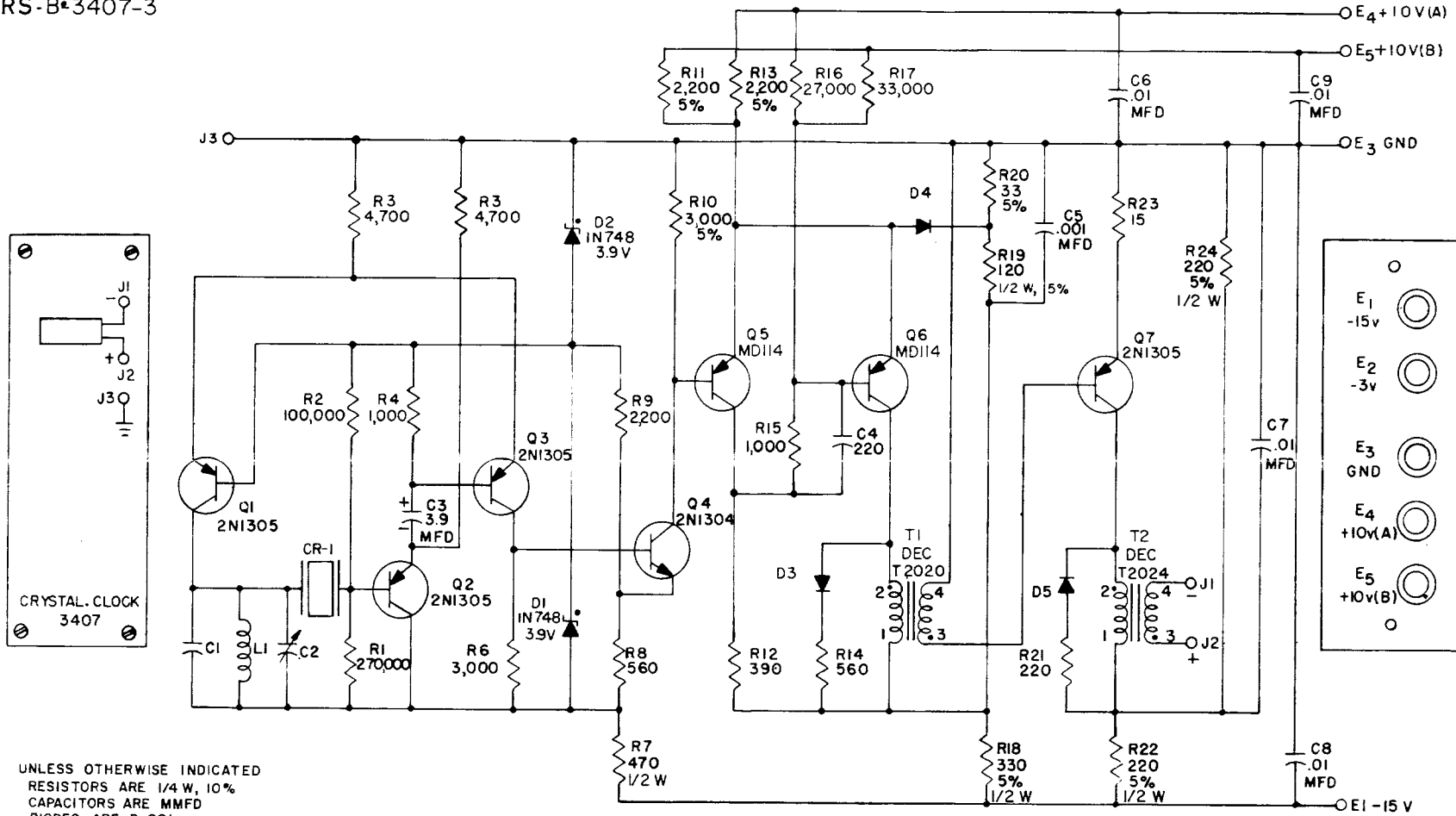
UNLESS OTHERWISE INDICATED:
 RESISTORS ARE 1/4W, 10%
 CAPACITORS ARE MMFD

THIS SCHEMATIC IS FURNISHED ONLY FOR
 TEST AND MAINTENANCE PURPOSES. THE
 CIRCUITS ARE PROPRIETARY IN NATURE AND
 SHOULD BE TREATED ACCORDINGLY.

CLOCK MODEL 340I (C,DE) RS-340I-8

COPYRIGHT 1963 BY DIGITAL EQUIPMENT CORPORATION

RS-B-3407-3



UNLESS OTHERWISE INDICATED
 RESISTORS ARE 1/4 W, 10%
 CAPACITORS ARE MMFD
 DIODES ARE D-001
 FOR VALUES L1, C1, C2, AND CR-1
 SEE DRAWING CHART A-00517-2

TRANSISTOR & DIODE CONVERSION CHART			
DEC	EIA	DEC	EIA
D-001	IN276		
IN748	IN748		
MD114	2N1499A		
2N1305	2N1305		
2N1304	2N1304		

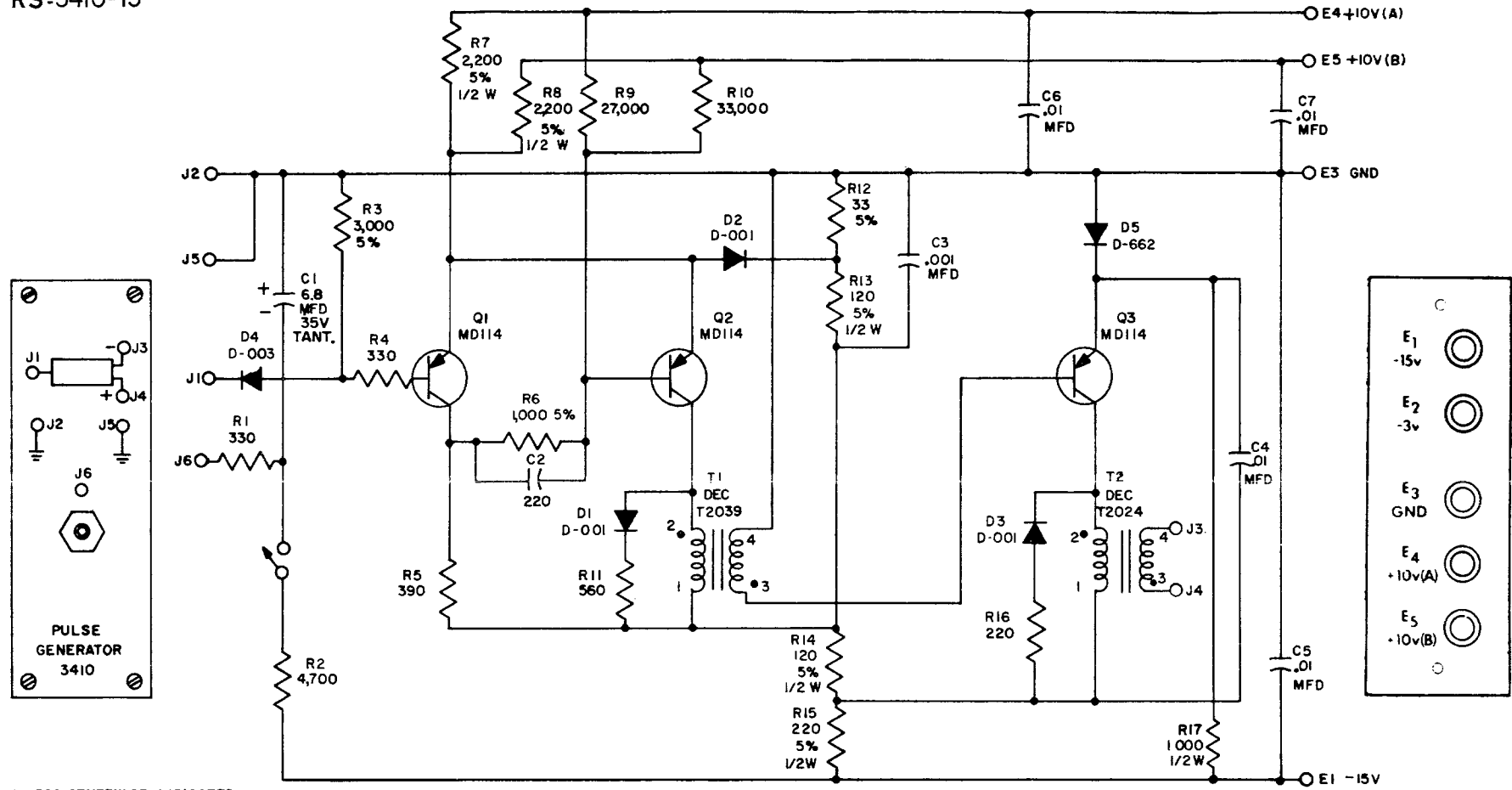
NOTES

THIS SCHEMATIC IS FURNISHED ONLY FOR TEST AND MAINTENANCE PURPOSES THE CIRCUITS ARE PROPRIETARY IN NATURE AND SHOULD BE TREATED ACCORDINGLY.

COPYRIGHT 1961 BY DIGITAL EQUIPMENT CORPORATION

A	RS-B-3407	3
CRYSTAL CLOCK 3407		

RS-3410-15

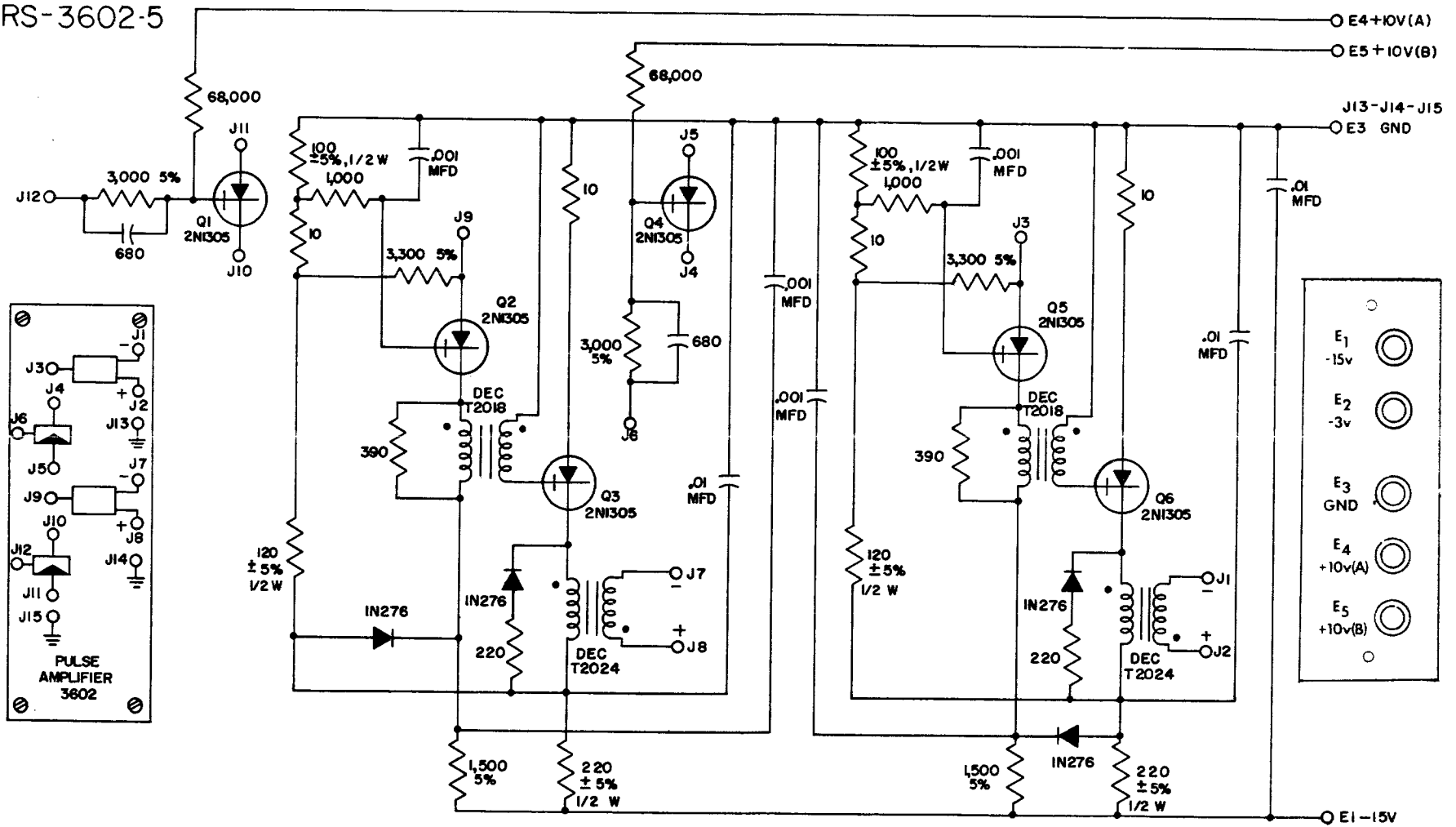


UNLESS OTHERWISE INDICATED
RESISTORS ARE 1/4W, 10%
CAPACITORS ARE MMFD

USE THE ETCHED BOARD OF THE 410

TRANSISTOR & DIODE CONVERSION CHART				NOTES	THIS SCHEMATIC IS FURNISHED ONLY FOR TEST AND MAINTENANCE PURPOSES. THE CIRCUITS ARE PROPRIETARY IN NATURE AND SHOULD BE TREATED ACCORDINGLY.	G,H RS-3410 15		
DEC	EIA	DEC	EIA			PULSE GENERATOR 3410		
MD114	2N1499A							
D-001	1N276							
D-003	1N994							
D-662	1N645							

RS-3602-5



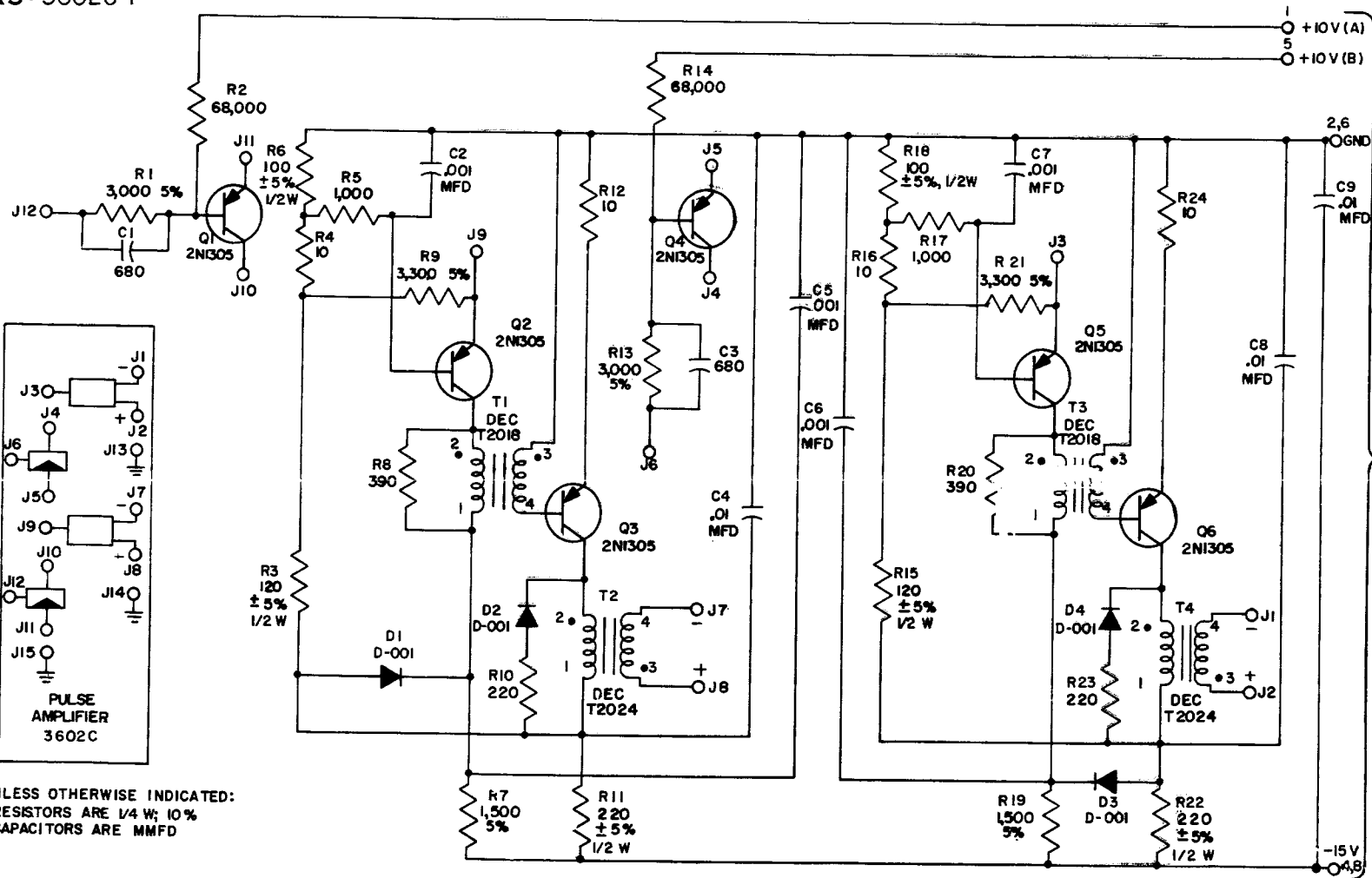
UNLESS OTHERWISE INDICATED:
RESISTORS ARE 1/4W, 10%
CAPACITORS ARE MMFD.

THIS SCHEMATIC IS FURNISHED ONLY FOR
TEST AND MAINTENANCE PURPOSES. THE
CIRCUITS ARE PROPRIETARY IN NATURE AND
SHOULD BE TREATED ACCORDINGLY.

PULSE AMPLIFIER 3602 (A) RS-3602-5

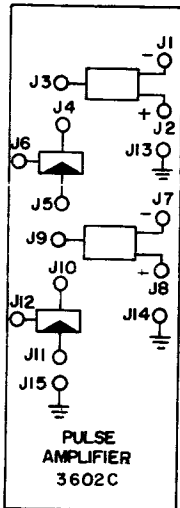
COPYRIGHT 1963 BY DIGITAL EQUIPMENT CORPORATION

RS-3602C-I



AMPHENOL
26-182
PLUG

UNLESS OTHERWISE INDICATED:
RESISTORS ARE 1/4 W; 10%
CAPACITORS ARE MMFD



DEC	EIA	DEC	EIA
2N1305	2N1305		
D-001	1N276		

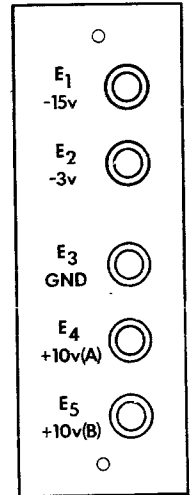
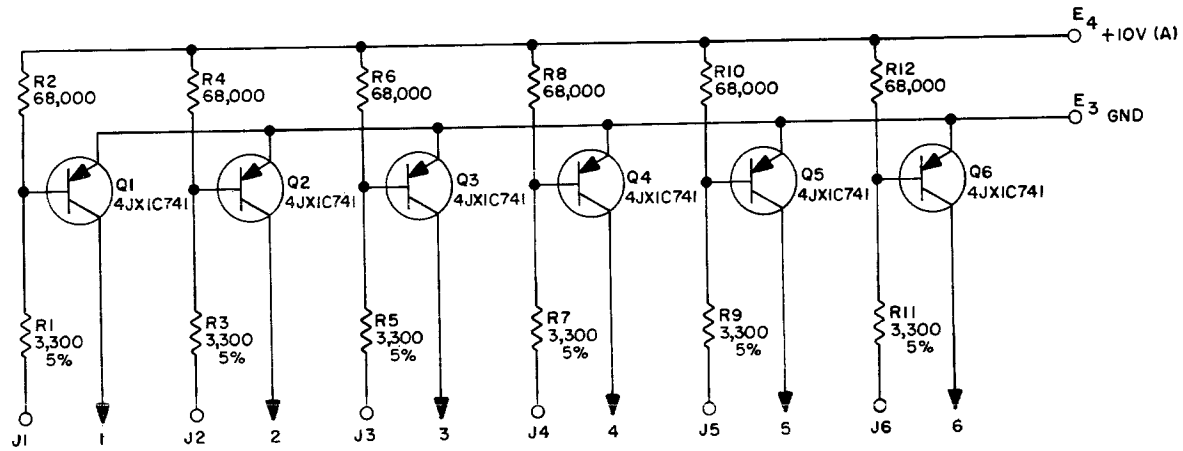
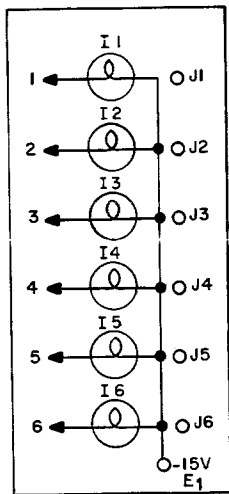
NOTES

THIS SCHEMATIC IS FURNISHED ONLY FOR TEST AND MAINTENANCE PURPOSES. THE CIRCUITS ARE PROPRIETARY IN NATURE AND SHOULD BE TREATED ACCORDINGLY.

COPYRIGHT 1963 BY DIGITAL EQUIPMENT CORPORATION

A,B	RS-3602C	I
PULSE AMPLIFIER 3602C		

RS-B-3669-I



UNLESS OTHERWISE INDICATED
 RESISTORS ARE 1/4W; 10%
 I1-I6 ARE G.E. 327
 J1-J6 PATCH CONTROL JACKS

TRANSISTOR & DIODE CONVERSION CHART			
DEC	EIA	DEC	EIA
4JXIC741	2N527		

NOTES

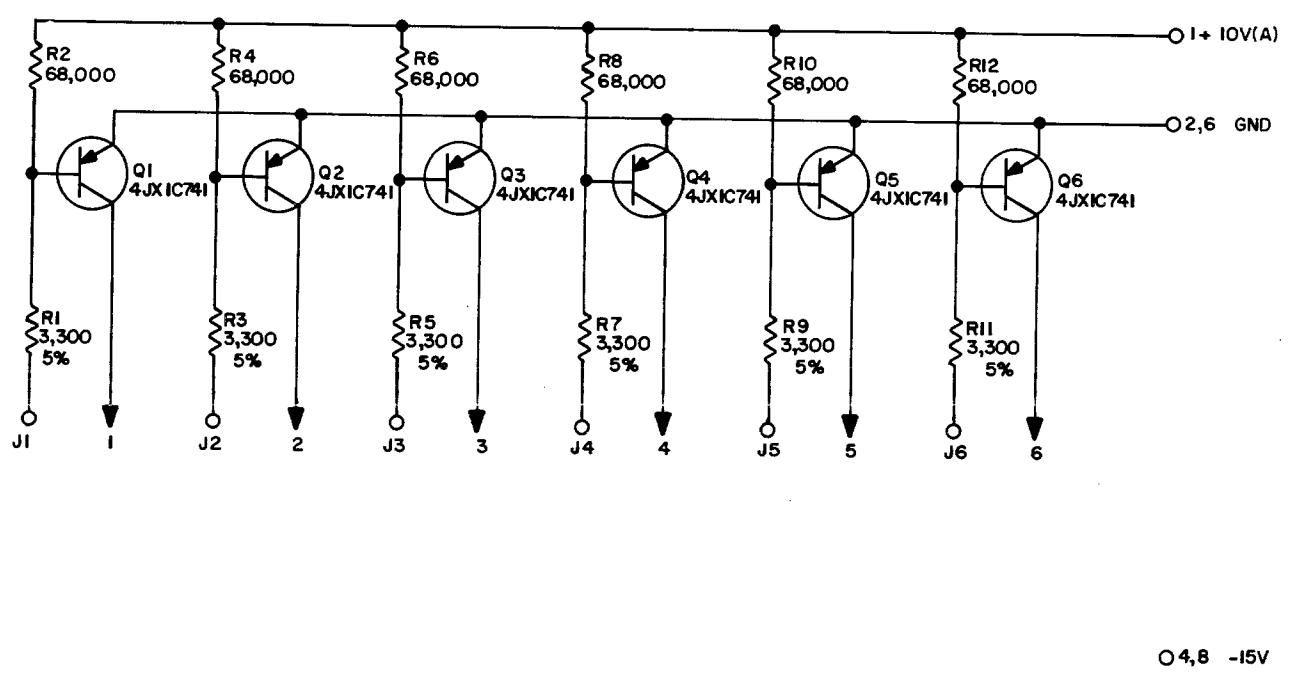
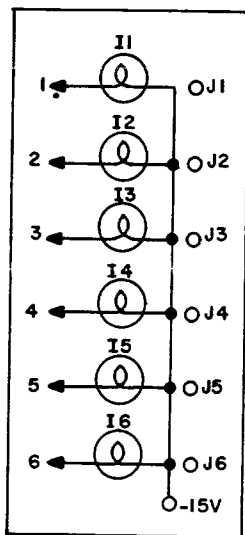
THIS SCHEMATIC IS FURNISHED ONLY FOR TEST AND MAINTENANCE PURPOSES. THE CIRCUITS ARE PROPRIETARY IN NATURE AND SHOULD BE TREATED ACCORDINGLY.

COPYRIGHT 1964 BY DIGITAL EQUIPMENT CORPORATION

B	RS-B-3669	I
INDICATOR PANEL 3669		

DIGITAL EQUIPMENT CORPORATION • MAYNARD, MASSACHUSETTS

RS-B-3669C-1



AMPHENOL
26-182
PLUG

UNLESS OTHERWISE INDICATED
RESISTORS ARE 1/4W; 10%
I1-16 ARE G.E. 327
J1-J6 PATCH CONTROL JACKS

TRANSISTOR & DIODE CONVERSION CHART			
DEC	EIA	DEC	EIA
4JXIC741	2N527		

NOTES

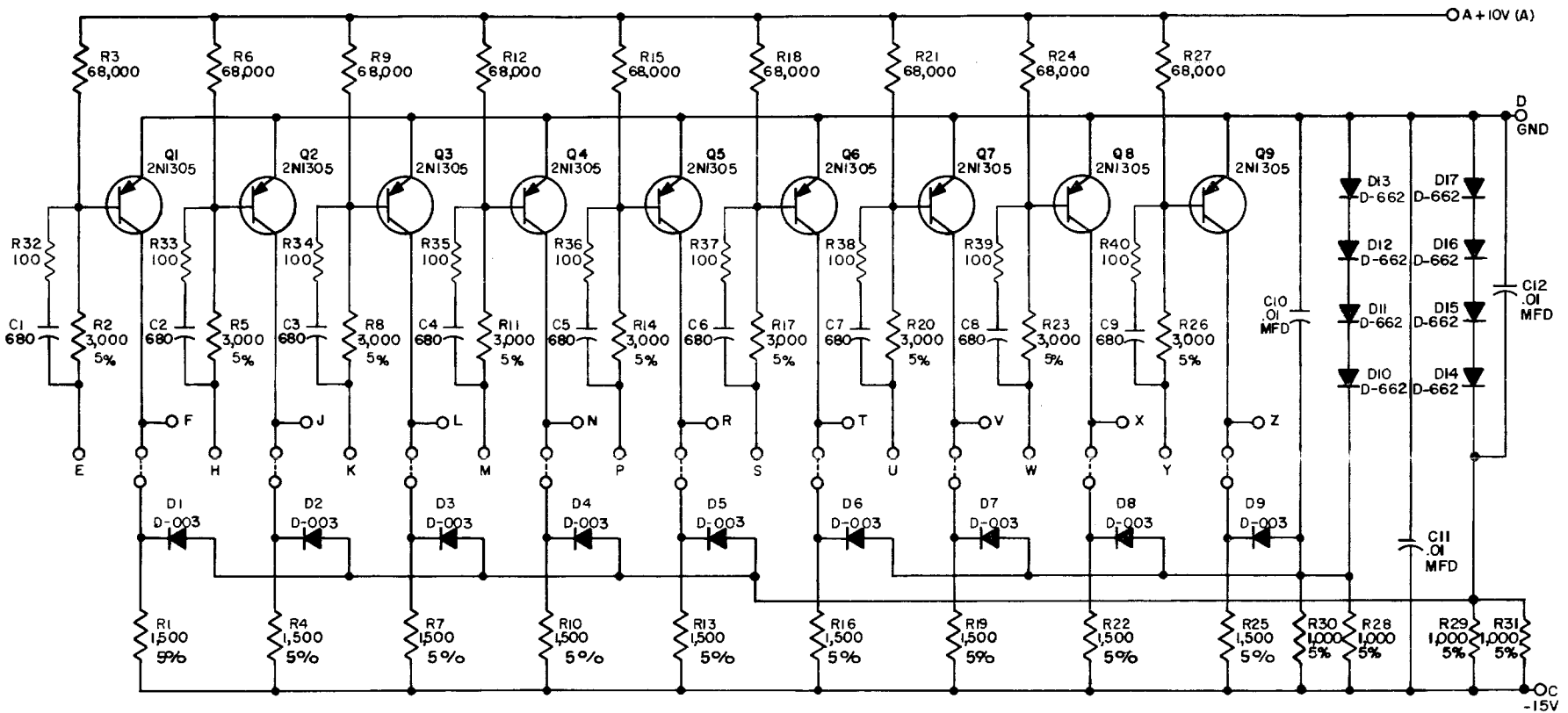
THIS SCHEMATIC IS FURNISHED ONLY FOR TEST AND MAINTENANCE PURPOSES. THE CIRCUITS ARE PROPRIETARY IN NATURE AND SHOULD BE TREATED ACCORDINGLY.

COPYRIGHT 1964 BY DIGITAL EQUIPMENT CORPORATION

B			RS-B-3669C			1		
INDICATOR PANEL 3669C								

DIGITAL EQUIPMENT CORPORATION • MAYNARD, MASSACHUSETTS

RS-B-4102-5



UNLESS OTHERWISE INDICATED
RESISTORS ARE 1/4W 10%
CAPACITORS ARE MMFD

TRANSISTOR & DIODE CONVERSION CHART			
DEC	EIA	DEC	EIA
2N1305	2N1305		
D-003	IN994		
D-662	IN645		

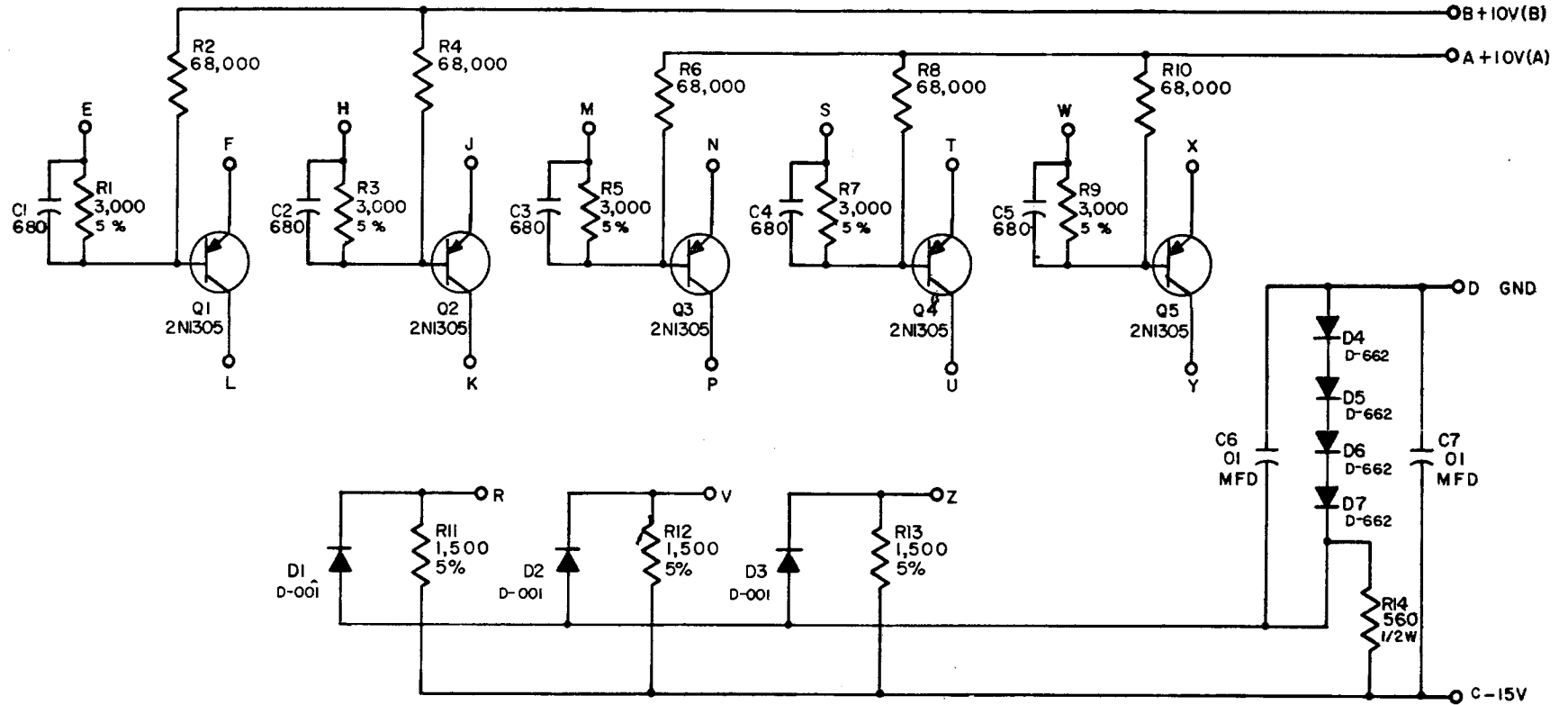
NOTES

THIS SCHEMATIC IS FURNISHED ONLY FOR TEST AND MAINTENANCE PURPOSES. THE CIRCUITS ARE PROPRIETARY IN NATURE AND SHOULD BE TREATED ACCORDINGLY.

COPYRIGHT 1962 BY DIGITAL EQUIPMENT CORPORATION

A	B	C	D	E	F	G	H	I	J	K	L	M	N	O	P	Q	R	S	T	U	V	W	X	Y	Z
F												RS-B-4102						5							
INVERTER 4102																									

RS-B-4105-7



UNLESS OTHERWISE INDICATED:
RESISTORS ARE 1/4W; 10%
CAPACITORS ARE M MFD

TRANSISTOR & DIODE CONVERSION CHART			
DEC	EIA	DEC	EIA
2N1305	2N1305		
D-001	1N276		
D-662	1N645		

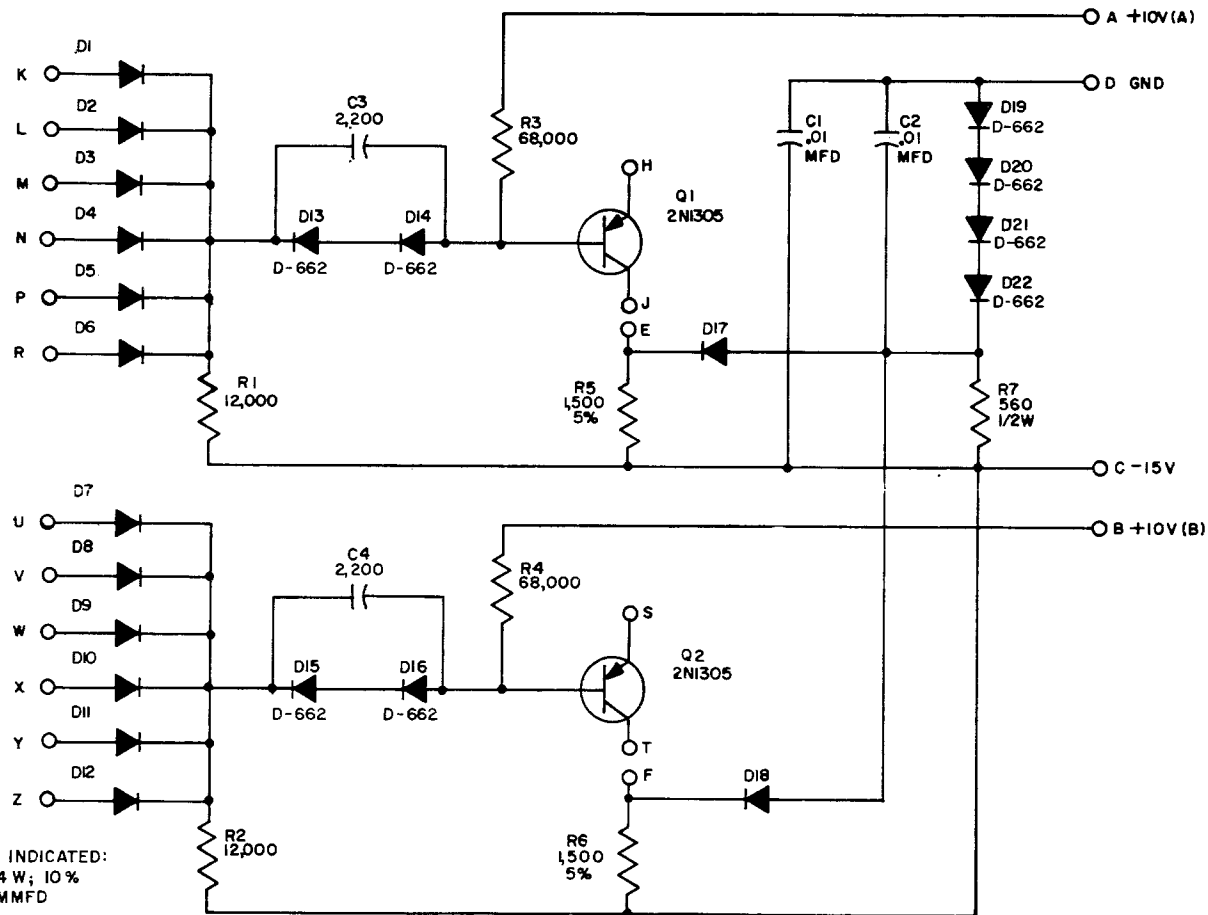
NOTES

THIS SCHEMATIC IS FURNISHED ONLY FOR TEST AND MAINTENANCE PURPOSES. THE CIRCUITS ARE PROPRIETARY IN NATURE AND SHOULD BE TREATED ACCORDINGLY.

COPYRIGHT 1969 BY DIGITAL EQUIPMENT CORPORATION

< B U O U L Z ~ X J Z A R M + - > E X > N		
C, D, E, F, G	RS-B-4105	7
INVERTER 4105		

RS-B-4111-8



UNLESS OTHERWISE INDICATED:
RESISTORS ARE 1/4 W; 10 %
CAPACITORS ARE MMFD
DIODES ARE D-001

TRANSISTOR & DIODE CONVERSION CHART			
DEC	EIA	DEC	EIA
2N1305	2N1305		
D-001	1N276		
D-662	1N645		

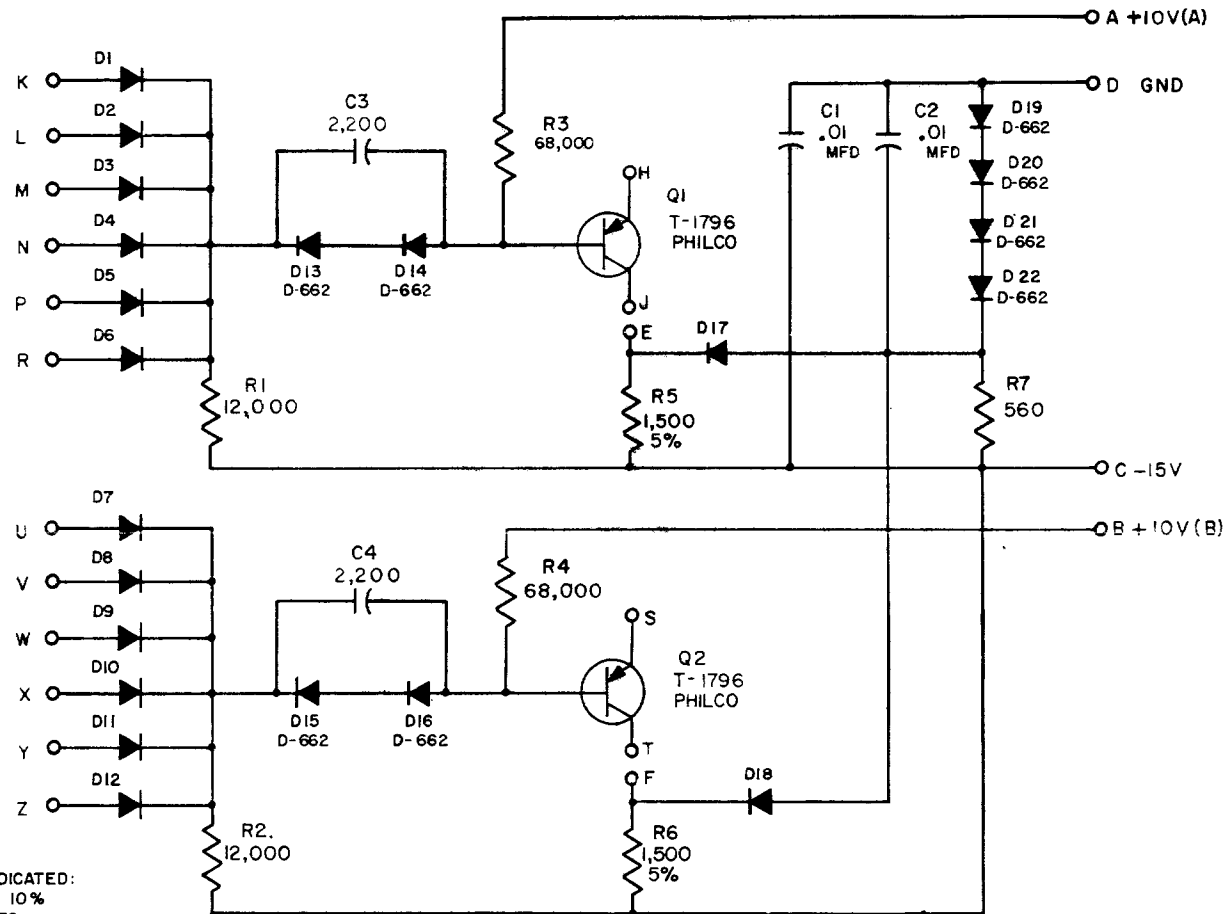
NOTES

THIS SCHEMATIC IS FURNISHED ONLY FOR TEST AND MAINTENANCE PURPOSES. THE CIRCUITS ARE PROPRIETARY IN NATURE AND SHOULD BE TREATED ACCORDINGLY.

COPYRIGHT 1959 BY DIGITAL EQUIPMENT CORPORATION

C,D,E,F			RS-B-4111	8
DIODE UNIT 4111				

RS-B-4111A-2



UNLESS OTHERWISE INDICATED:
RESISTORS ARE 1/2W; 10%
CAPACITORS ARE MMFD
DIODES ARE D-001

TRANSISTOR & DIODE CONVERSION CHART			
DEC	EIA	DEC	EIA
T-1796	T-1796		
D-001	IN276		
D-662	IN645		

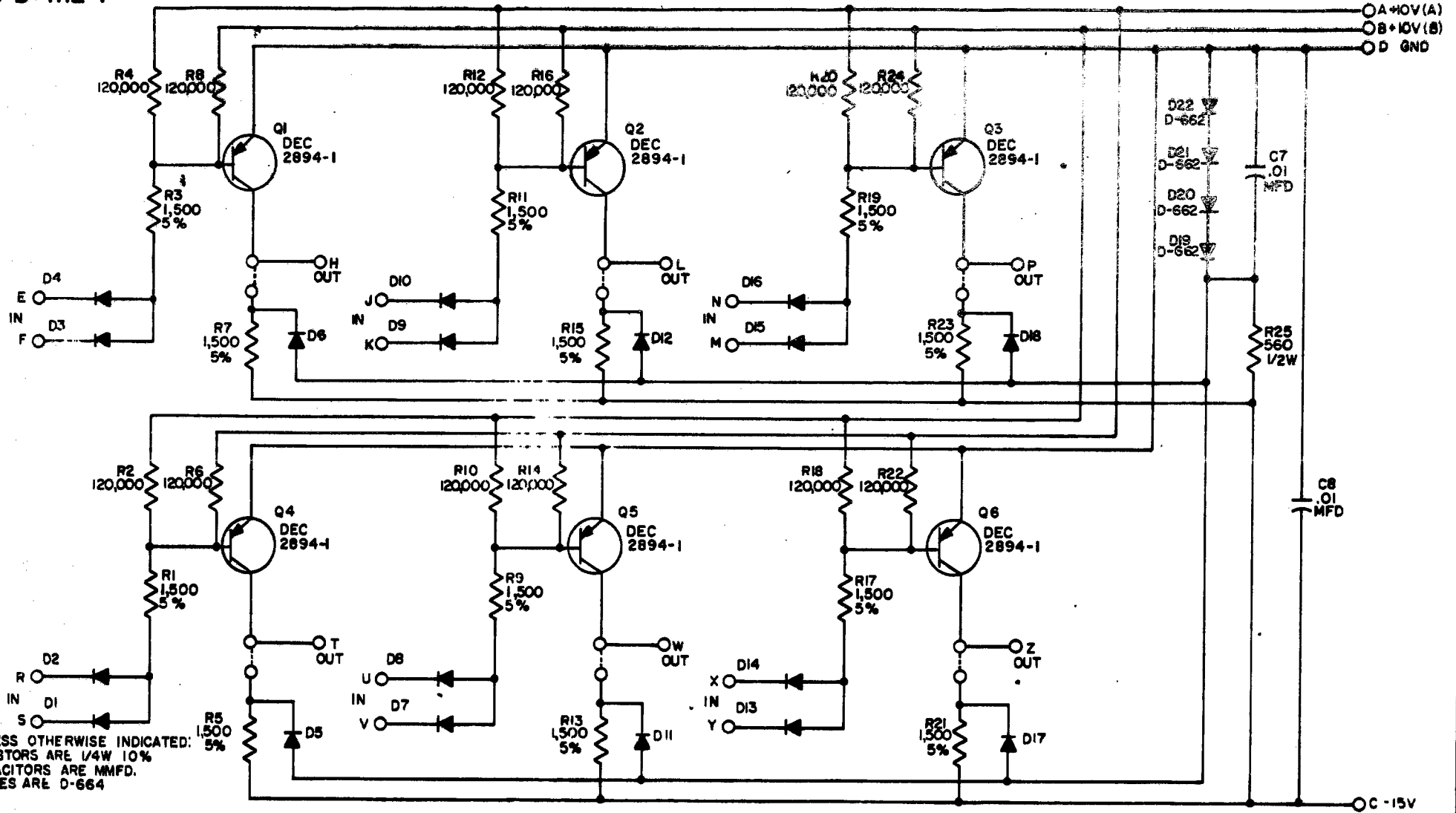
NOTES

THIS SCHEMATIC IS FURNISHED ONLY FOR TEST AND MAINTENANCE PURPOSES. THE CIRCUITS ARE PROPRIETARY IN NATURE AND SHOULD BE TREATED ACCORDINGLY.

COPYRIGHT 1963 BY DIGITAL EQUIPMENT CORPORATION

< B U A L K J Z R V L D > E X > N		
C,D	RS-B-4111A	2
DIODE UNIT 4111A		

RS-B-4112-7



UNLESS OTHERWISE INDICATED:
RESISTORS ARE 1/4W 10%
CAPACITORS ARE MMFD.
DIODES ARE D-664

TRANSISTOR & DIODE CONVERSION CHART			
DEC	EIA	DEC	EIA
DEC 2894-1	DEC 2894-1		
D-664	IN5401		
D-662	IN234		

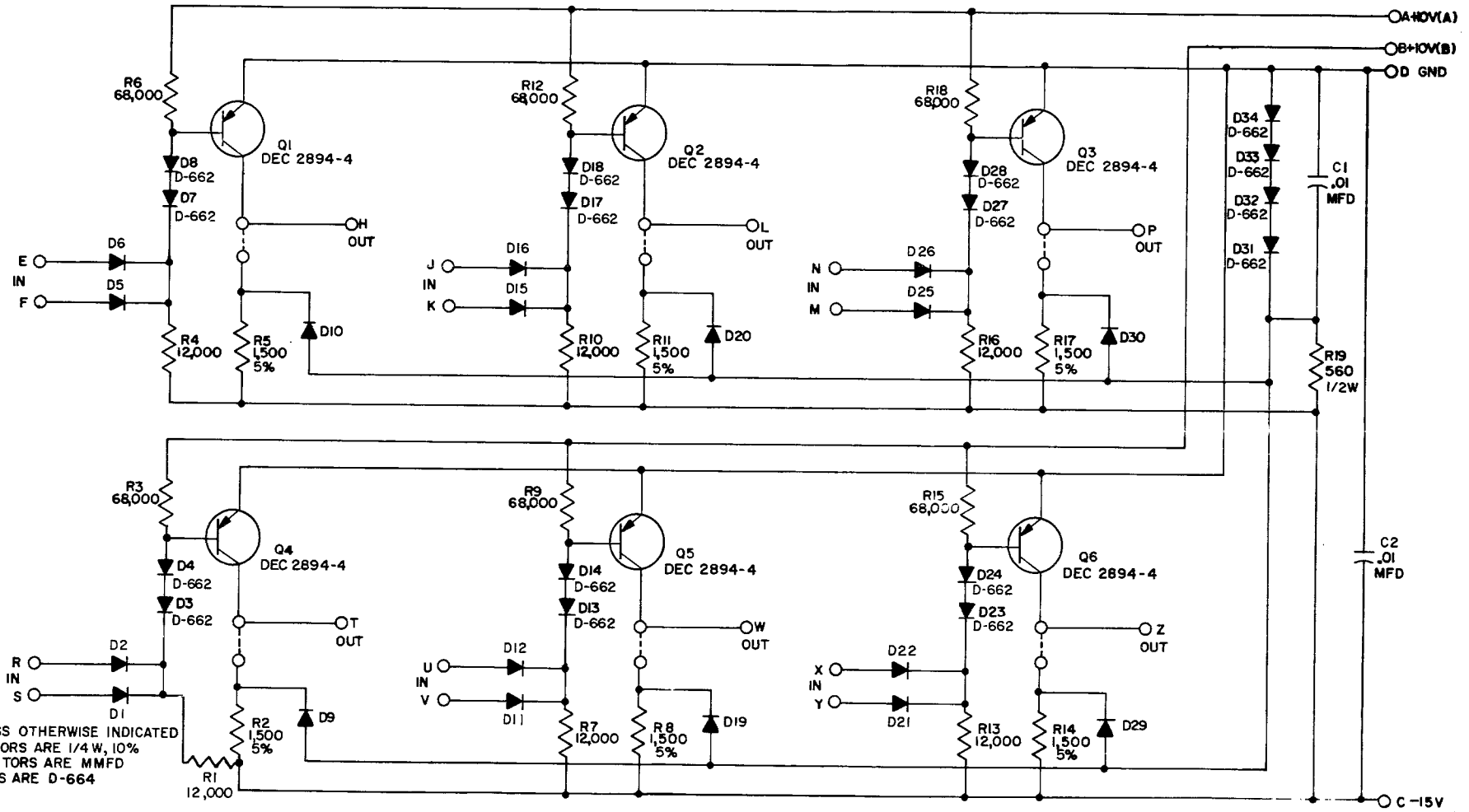
NOTES

THIS SCHEMATIC IS FURNISHED ONLY FOR TEST AND MAINTENANCE PURPOSES. THE CIRCUITS ARE PROPRIETARY IN NATURE AND SHOULD BE TREATED ACCORDINGLY.

COPYRIGHT 1980 BY DIGITAL EQUIPMENT CORPORATION

A,B			RS-B-4112	7
DIODE 4112				

RS-B-4113-9



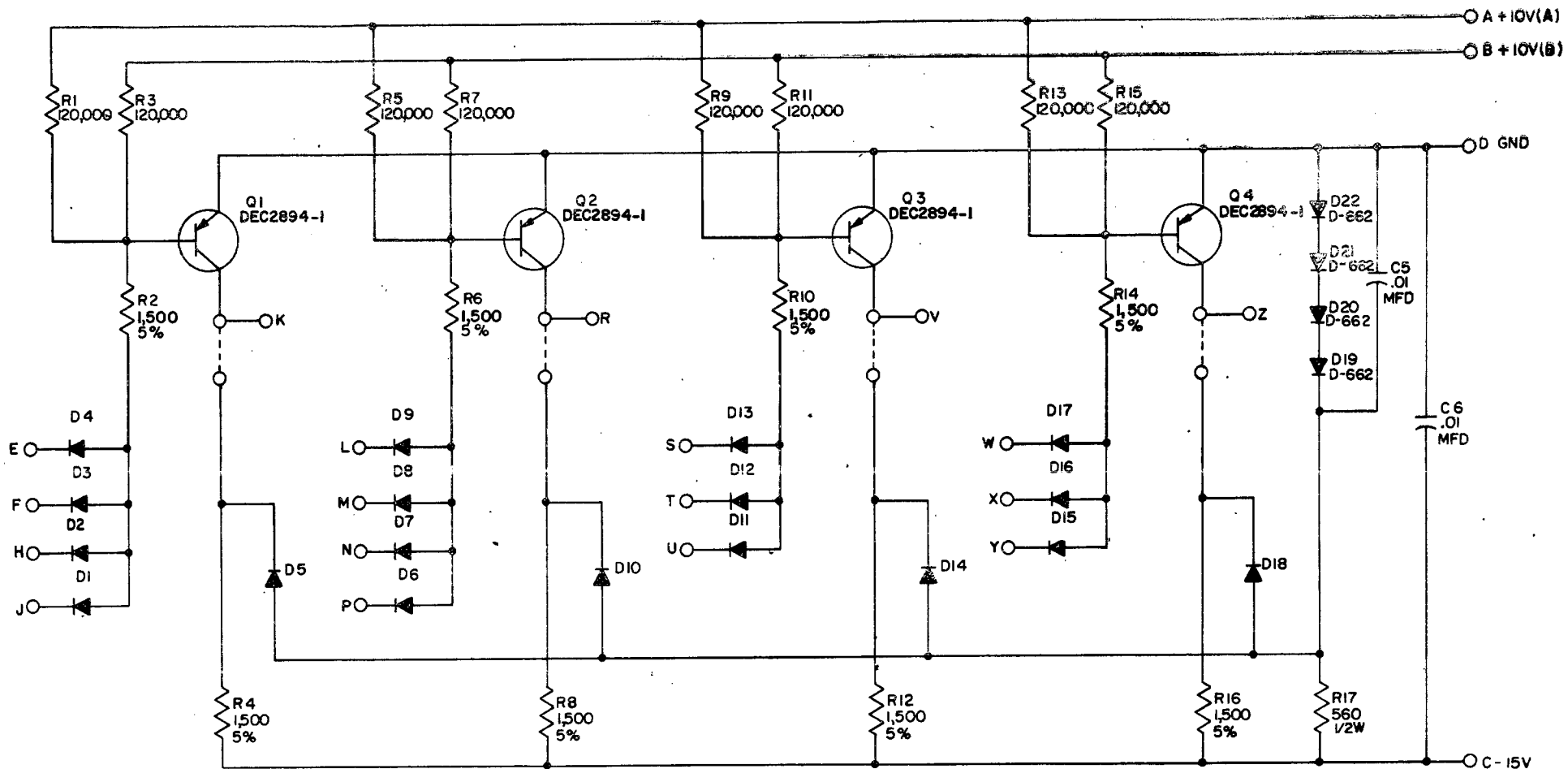
UNLESS OTHERWISE INDICATED
RESISTORS ARE 1/4 W, 10%
CAPACITORS ARE MMFD
DIODES ARE D-664

TRANSISTOR & DIODE CONVERSION CHART			
DEC	EIA	DEC	EIA
DEC 2894-4	DEC 2894		
D-662	IN645		
D-664	IN3606		

NOTES

THIS SCHEMATIC IS FURNISHED ONLY FOR TEST AND MAINTENANCE PURPOSES. THE CIRCUITS ARE PROPRIETARY IN NATURE AND SHOULD BE TREATED ACCORDINGLY.
COPYRIGHT 1962 BY DIGITAL EQUIPMENT CORPORATION

<p>← 0 1 2 3 4 5 6 7 8 9 A B C D E F G H I J K L M N O P Q R S T U V W X Y Z →</p>		
ABC	RS-B-4113	9
DIODE 4113		



UNLESS OTHERWISE INDICATED:
 RESISTORS ARE 1/4W, 10%
 CAPACITORS ARE MMFD.
 DIODES ARE D-664

TRANSISTOR & DIODE CONVERSION CHART			
DEC	EIA	DEC	EIA
DEC2894-1	DEC2894-1		
D-662	1N646		
D-664	1N5606		

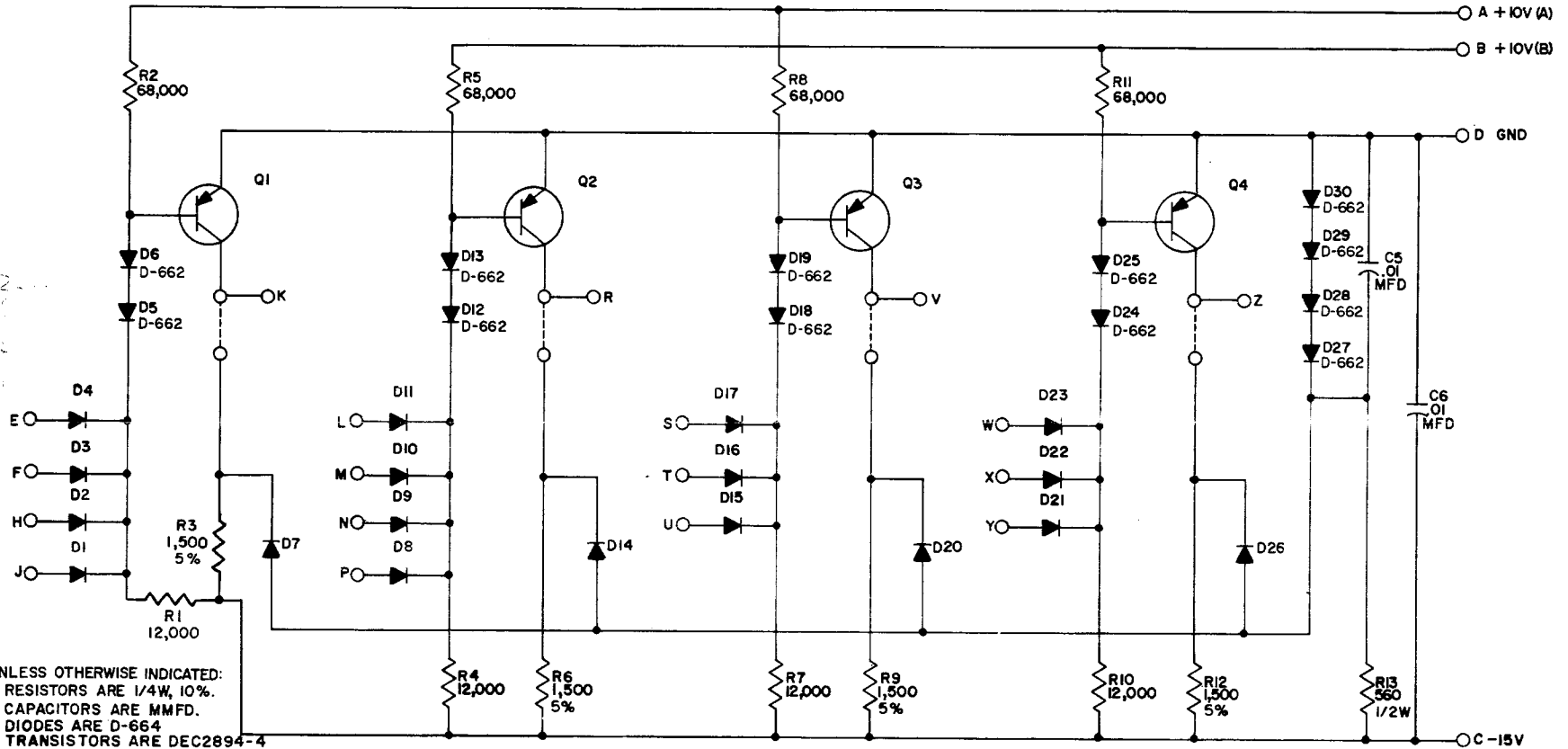
NOTES

THIS SCHEMATIC IS FURNISHED ONLY FOR TEST AND MAINTENANCE PURPOSES. THE CIRCUITS ARE PROPRIETARY IN NATURE AND SHOULD BE TREATED ACCORDINGLY.

COPYRIGHT 1961 BY DIGITAL EQUIPMENT CORPORATION

0 1 2 3 4 5 6 7 8 9 A B C D E F G H I J K L M N O P Q R S T U V W X Y Z		
A, B	RS-B-4114	7
DIODE 4114		

RS-B-4115-7



UNLESS OTHERWISE INDICATED:
 RESISTORS ARE 1/4W, 10%.
 CAPACITORS ARE MMFD.
 DIODES ARE D-664
 TRANSISTORS ARE DEC2894-4

TRANSISTOR & DIODE CONVERSION CHART	
DEC	EIA
DEC 2894-4	DEC 2894
D-664	IN3606
D-662	IN645

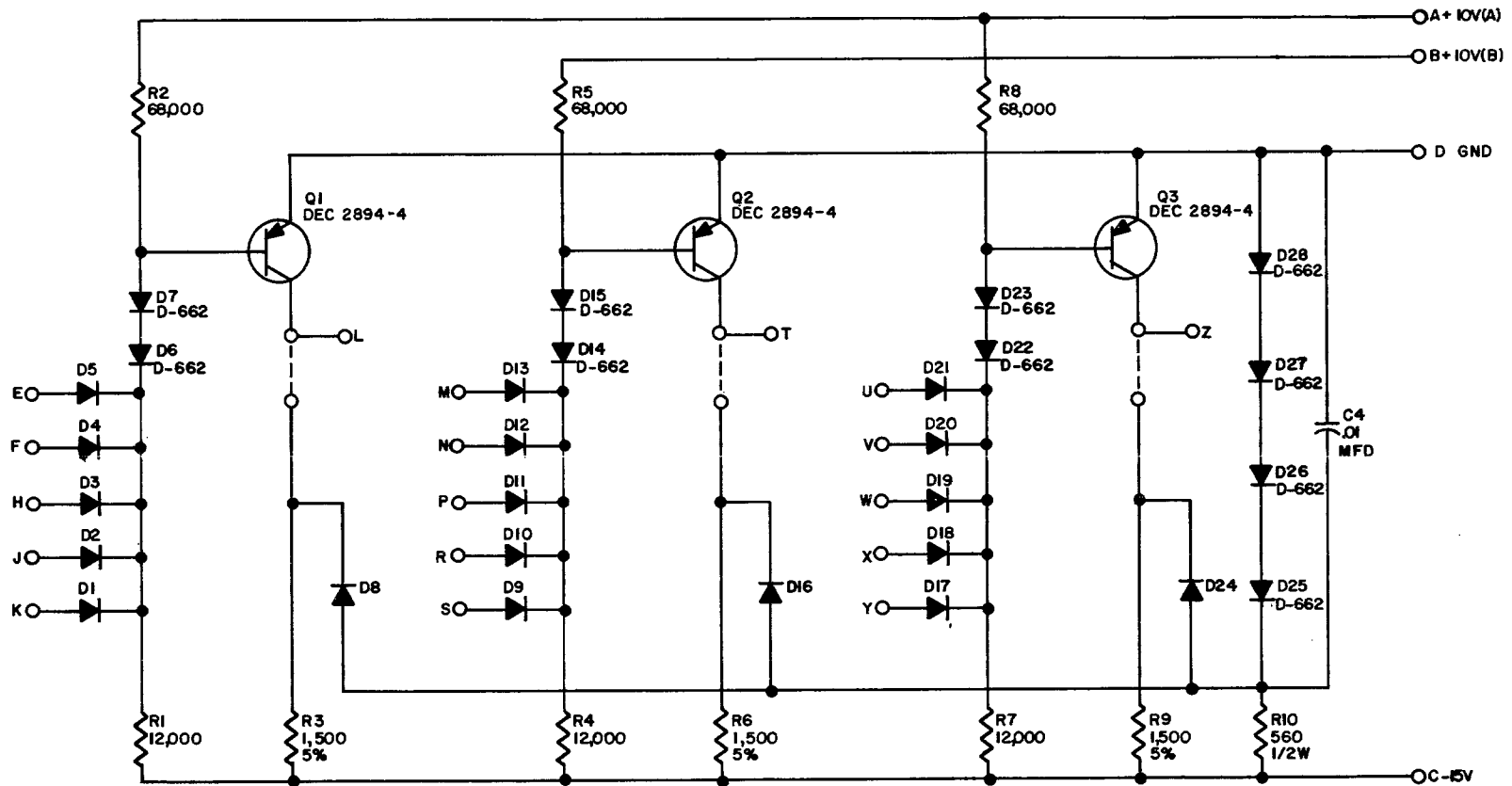
NOTES

THIS SCHEMATIC IS FURNISHED ONLY FOR TEST AND MAINTENANCE PURPOSES. THE CIRCUITS ARE PROPRIETARY IN NATURE AND SHOULD BE TREATED ACCORDINGLY.

COPYRIGHT 1962 BY DIGITAL EQUIPMENT CORPORATION

A,B,C	RS-B-4115	7
DIODE 4115		

RS-B-4117-7



UNLESS OTHERWISE INDICATED:
RESISTORS ARE 1/4W; 10%
DIODES ARE D-664

TRANSISTOR & DIODE CONVERSION CHART			
DEC	EIA	DEC	EIA
DEC 2894-4	DEC 2894		
D-664	IN3606		
D-662	IN645		

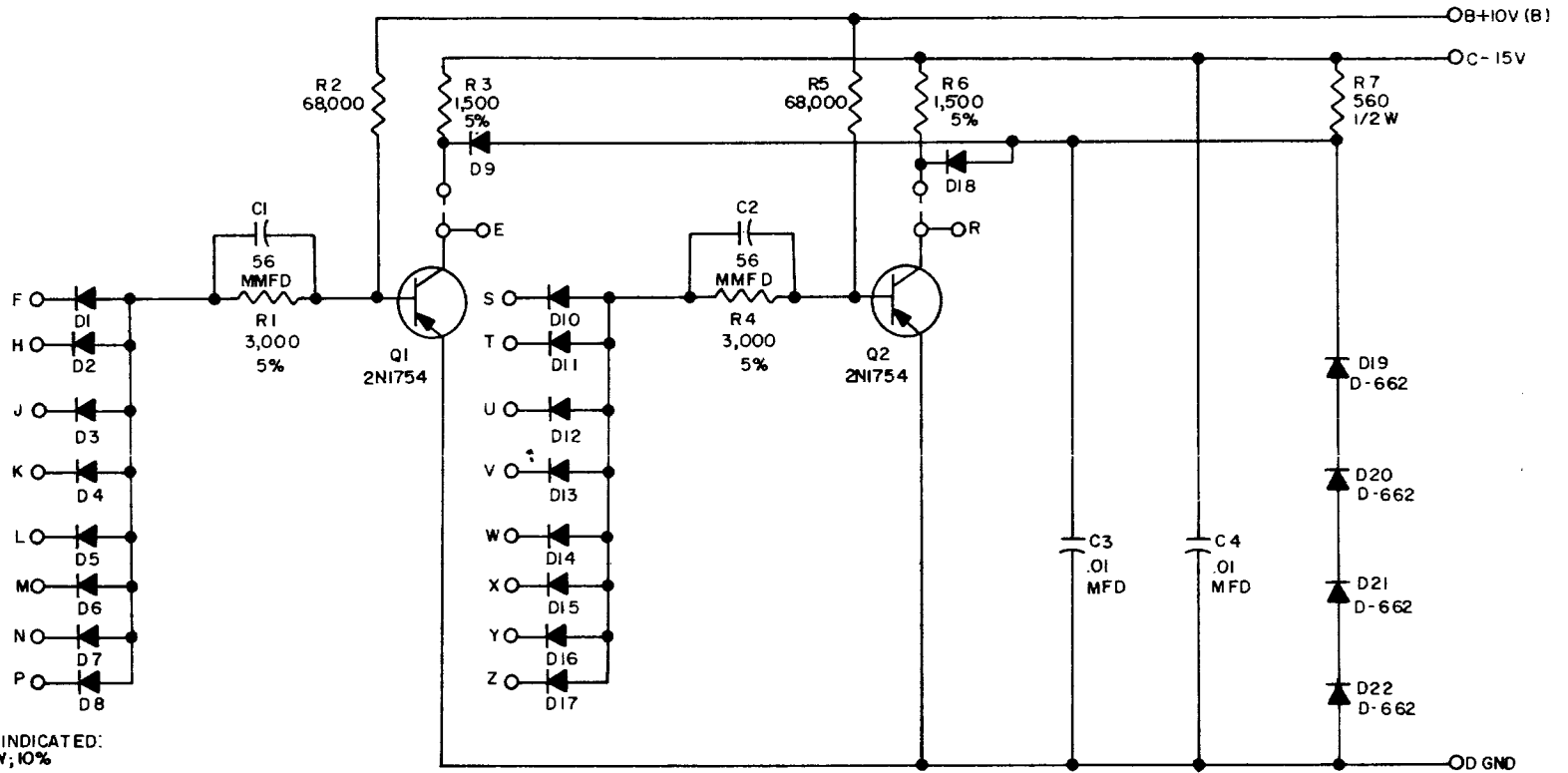
NOTES

THIS SCHEMATIC IS FURNISHED ONLY FOR TEST AND MAINTENANCE PURPOSES. THE CIRCUITS ARE PROPRIETARY IN NATURE AND SHOULD BE TREATED ACCORDINGLY.

COPYRIGHT 1962 BY DIGITAL EQUIPMENT CORPORATION

< B U D W L Z X J E Z A R V H S D X N >		
A,B,C	RS-B-4117	7
DIODE 4117		

RS-4118



UNLESS OTHERWISE INDICATED:
RESISTORS ARE 1/4 W; 10%
DIODES ARE D-003

USE THE ETCHED BOARD OF THE 6118

TRANSISTOR & DIODE CONVERSION CHART			
DEC	EIA	DEC	EIA
D-003	IN994		
D-662	IN646		
2N1754	2N1754		

NOTES

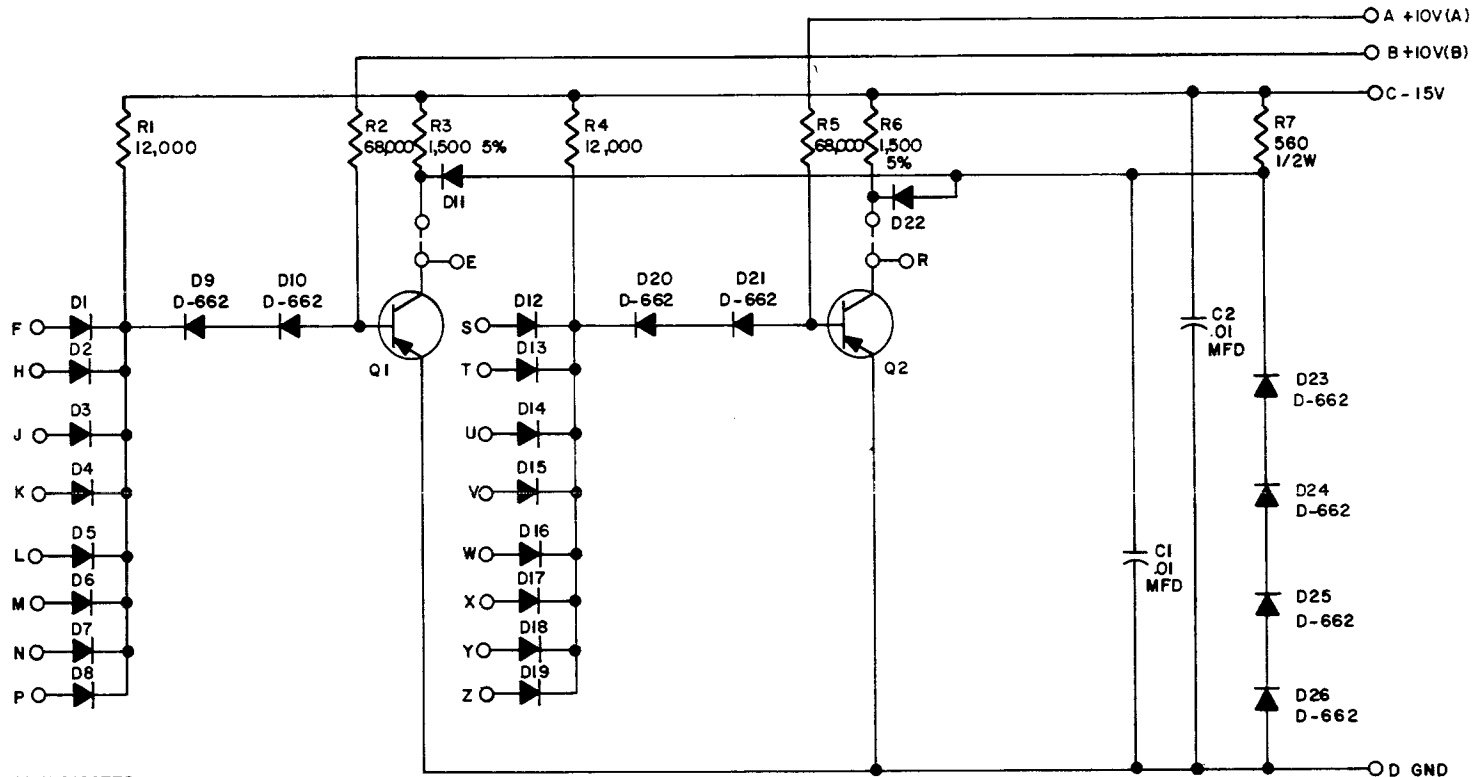
THIS SCHEMATIC IS FURNISHED ONLY FOR TEST AND MAINTENANCE PURPOSES. THE CIRCUITS ARE PROPRIETARY IN NATURE AND SHOULD BE TREATED ACCORDINGLY.

COPYRIGHT 1963 BY DIGITAL EQUIPMENT CORPORATION

A	B	C	D	E	F	G	H	I	J	K	L	M	N	O	P	R	S	T	U	V	W	X	Y	Z
A, B		RS-4118																						
DIODE GATE 4118																								

DIGITAL EQUIPMENT CORPORATION • MAYNARD, MASSACHUSETTS

RS-B-4119



UNLESS OTHERWISE INDICATED:
 RESISTORS ARE 1/4W, 10%
 DIODES ARE D-664
 TRANSISTORS ARE DEC 2894-4

TRANSISTOR & DIODE CONVERSION CHART			
DEC	EIA	DEC	EIA
DEC 2894-4	DEC 2894		
D-662	1N645		
D-664	1N3605		

NOTES

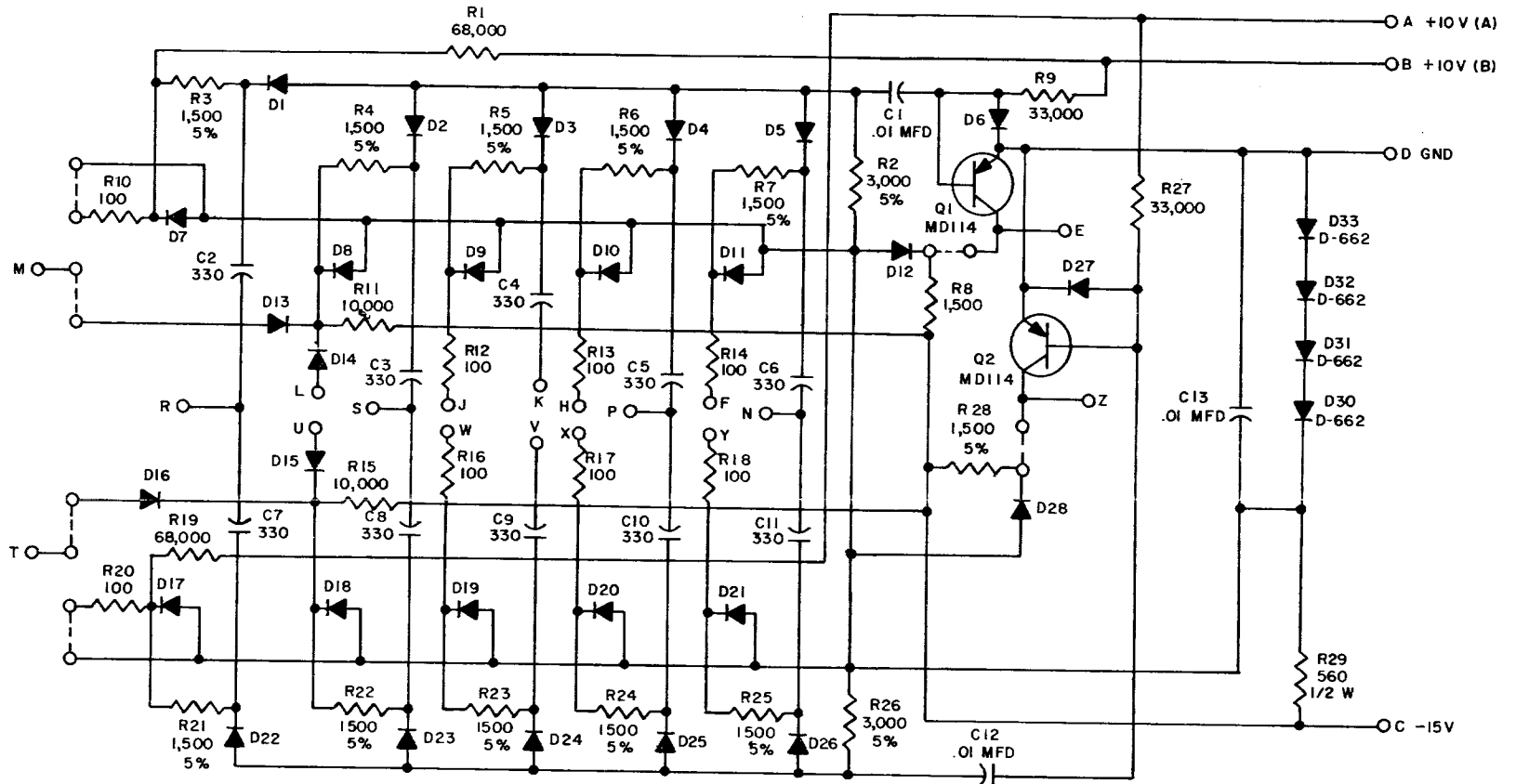
THIS SCHEMATIC IS FURNISHED ONLY FOR TEST AND MAINTENANCE PURPOSES. THE CIRCUITS ARE PROPRIETARY IN NATURE AND SHOULD BE TREATED ACCORDINGLY.

COPYRIGHT 1964 BY DIGITAL EQUIPMENT CORPORATION

A	B	C	D	E	F	G	H	I	J	K	L	M	N	O	P	Q	R	S	T	U	V	W	X	Y	Z
B												RS-B-4119													
DIODE 4119																									

DIGITAL EQUIPMENT CORPORATION • MAYNARD, MASSACHUSETTS

RS-4123-1



UNLESS OTHERWISE INDICATED
 RESISTORS ARE 1/4 W, 10%
 CAPACITORS ARE MMFD
 DIODES ARE D-001

TRANSISTOR & DIODE CONVERSION CHART			
DEC	EIA	DEC	EIA
MD114	2N1499A		
D-001	1N276		
D-662	1N645		

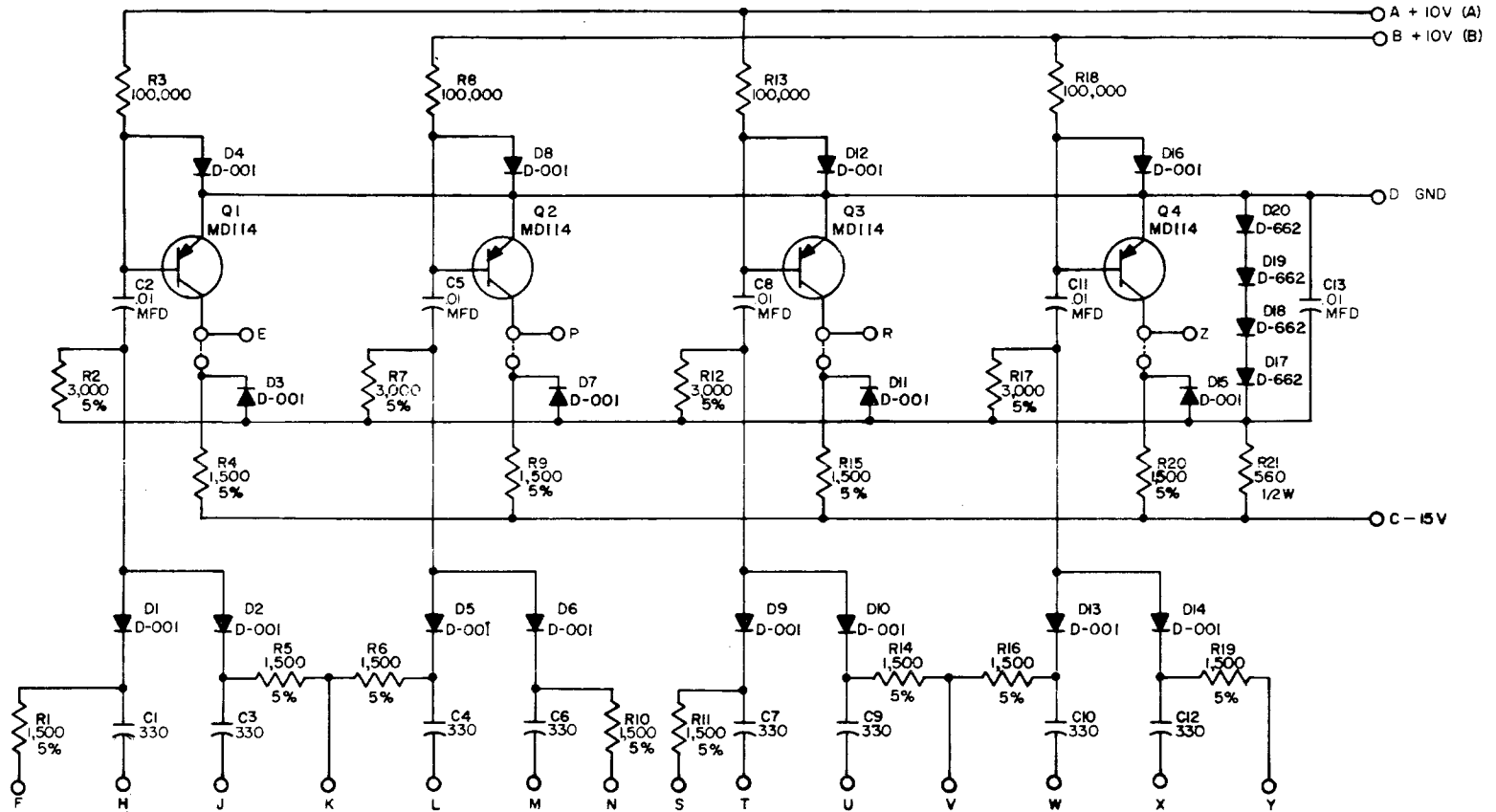
NOTES

THIS SCHEMATIC IS FURNISHED ONLY FOR TEST AND MAINTENANCE PURPOSES THE CIRCUITS ARE PROPRIETARY IN NATURE AND SHOULD BE TREATED ACCORDINGLY.

COPYRIGHT 1963 BY DIGITAL EQUIPMENT CORPORATION

B			RS-4123			1		
NEGATIVE CAPACITOR-DIODE GATE 4123								

RS-B-4125-4



UNLESS OTHERWISE INDICATED:
RESISTORS ARE 1/4W; 10%
CAPACITORS ARE MMFD

TRANSISTOR & DIODE CONVERSION CHART			
DEC	EIA	DEC	EIA
MD114	2N499A		
D-001	1N276		
D-662	1N645		

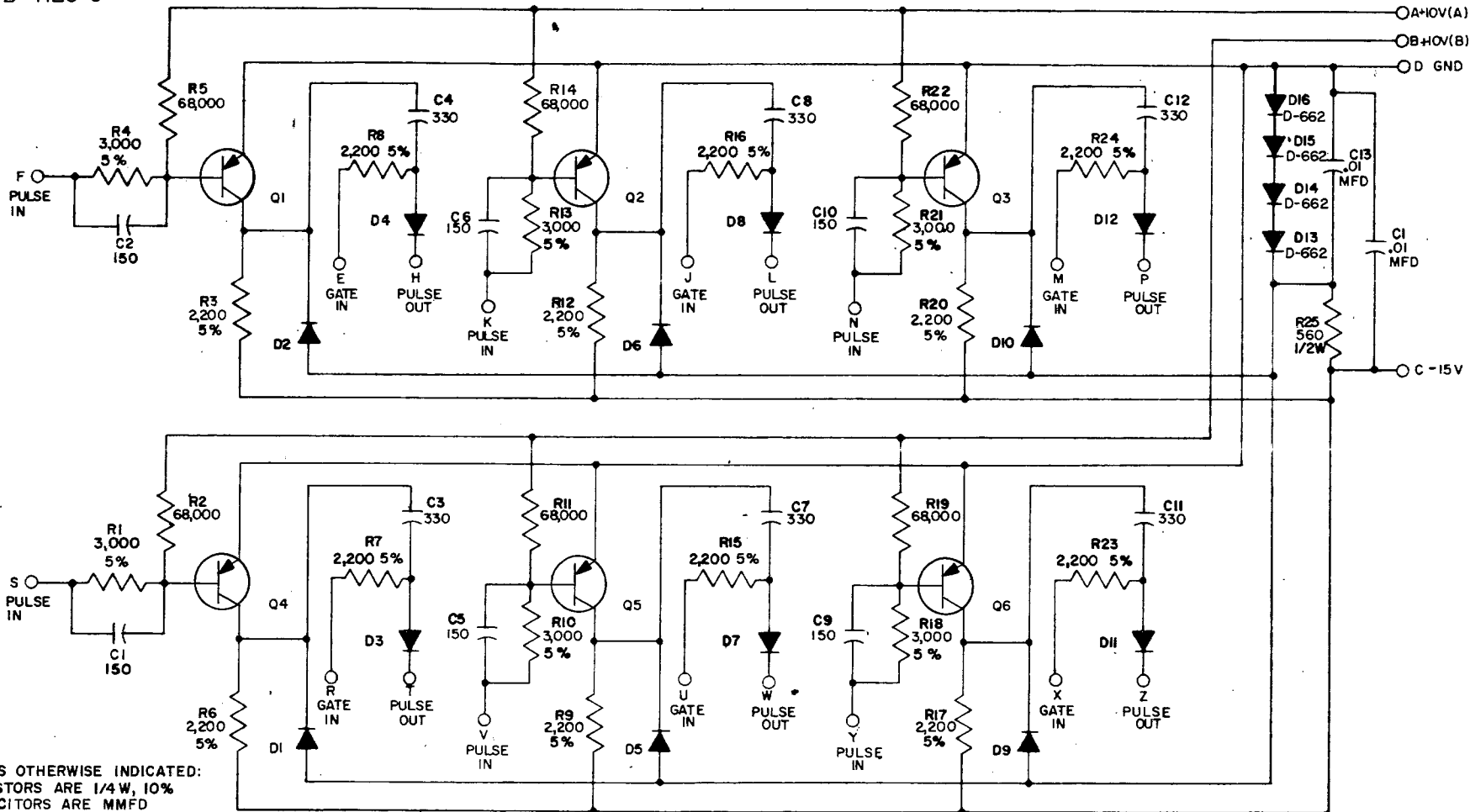
NOTES

THIS SCHEMATIC IS FURNISHED ONLY FOR TEST AND MAINTENANCE PURPOSES. THE CIRCUITS ARE PROPRIETARY IN NATURE AND SHOULD BE TREATED ACCORDINGLY.

COPYRIGHT 1963 BY DIGITAL EQUIPMENT CORPORATION

<p>← B U C L L X → Z S Z R S → D S X → N</p>		
B	RS-B-4125	4
CAPACITOR-DIODE-INVERTER 4125		

RS-B-4126-9



UNLESS OTHERWISE INDICATED:
 RESISTORS ARE 1/4W, 10%
 CAPACITORS ARE MMFD
 DIODES ARE D-664
 TRANSISTORS ARE DEC 2894-4

TRANSISTOR & DIODE CONVERSION CHART	
DEC	EIA
DEC 2894-4	DEC 2894
D-664	IN3606
D-662	IN645

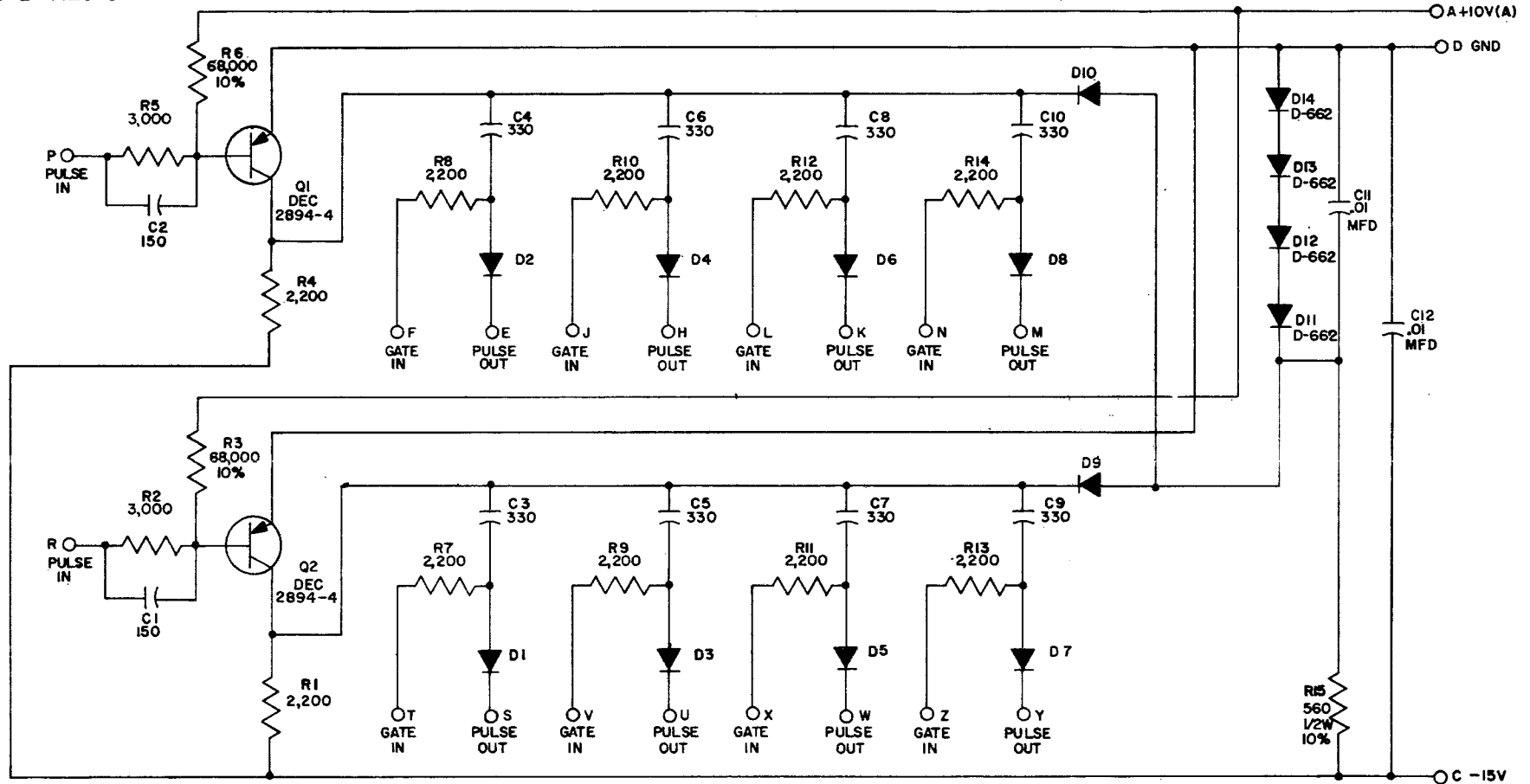
NOTES

THIS SCHEMATIC IS FURNISHED ONLY FOR TEST AND MAINTENANCE PURPOSES. THE CIRCUITS ARE PROPRIETARY IN NATURE AND SHOULD BE TREATED ACCORDINGLY.

COPYRIGHT 1963 BY DIGITAL EQUIPMENT CORPORATION

< > @ U O U L L Z X X Z Z R R R - > > X X N		
A,B,C,D	RS-B-4126	9
INVERTER-CAPACITOR-DIODE 4126		

RS-B-4128-9



UNLESS OTHERWISE INDICATED:
 RESISTORS ARE 1/4W; 5%
 CAPACITORS ARE MMFD
 DIODES ARE D-664

TRANSISTOR & DIODE CONVERSION CHART			
DEC	EIA	DEC	EIA
DEC 2894-4	DEC 2894		
D-664	IN3606		
D-662	IN645		

NOTES

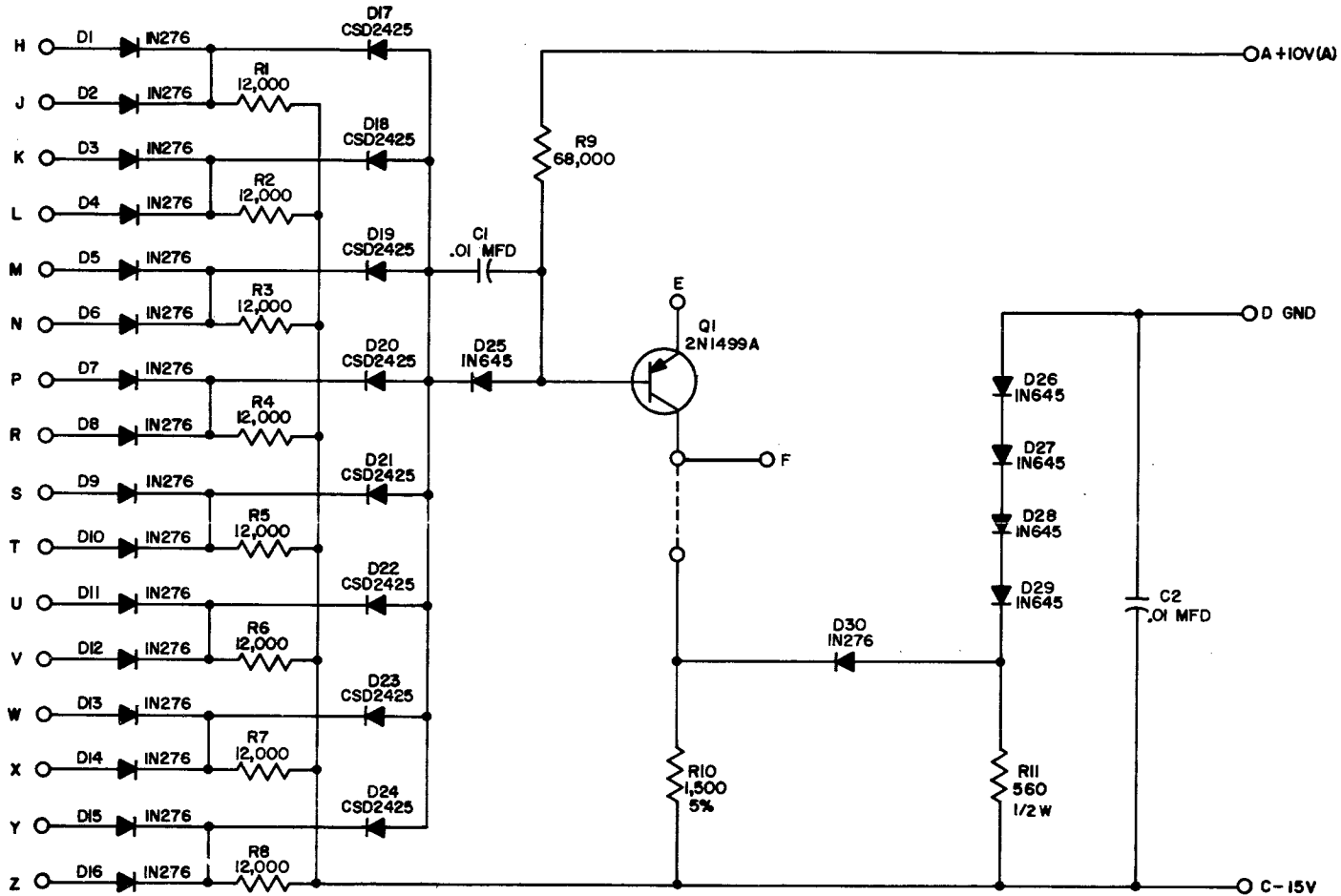
THIS SCHEMATIC IS FURNISHED ONLY FOR TEST AND MAINTENANCE PURPOSES. THE CIRCUITS ARE PROPRIETARY IN NATURE AND SHOULD BE TREATED ACCORDINGLY.

COPYRIGHT 1963 BY DIGITAL EQUIPMENT CORPORATION

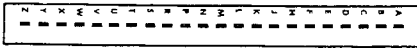
A B C D E F G H I J K L M N O P Q R S T U V W X Y Z		
D	RS-B-4128	9
INVERTER-CAPACITOR-DIODE 4128		

DIGITAL EQUIPMENT CORPORATION • MAYNARD, MASSACHUSETTS

RS-4139-3



UNLESS OTHERWISE INDICATED
RESISTORS ARE 1/4 W, 10%

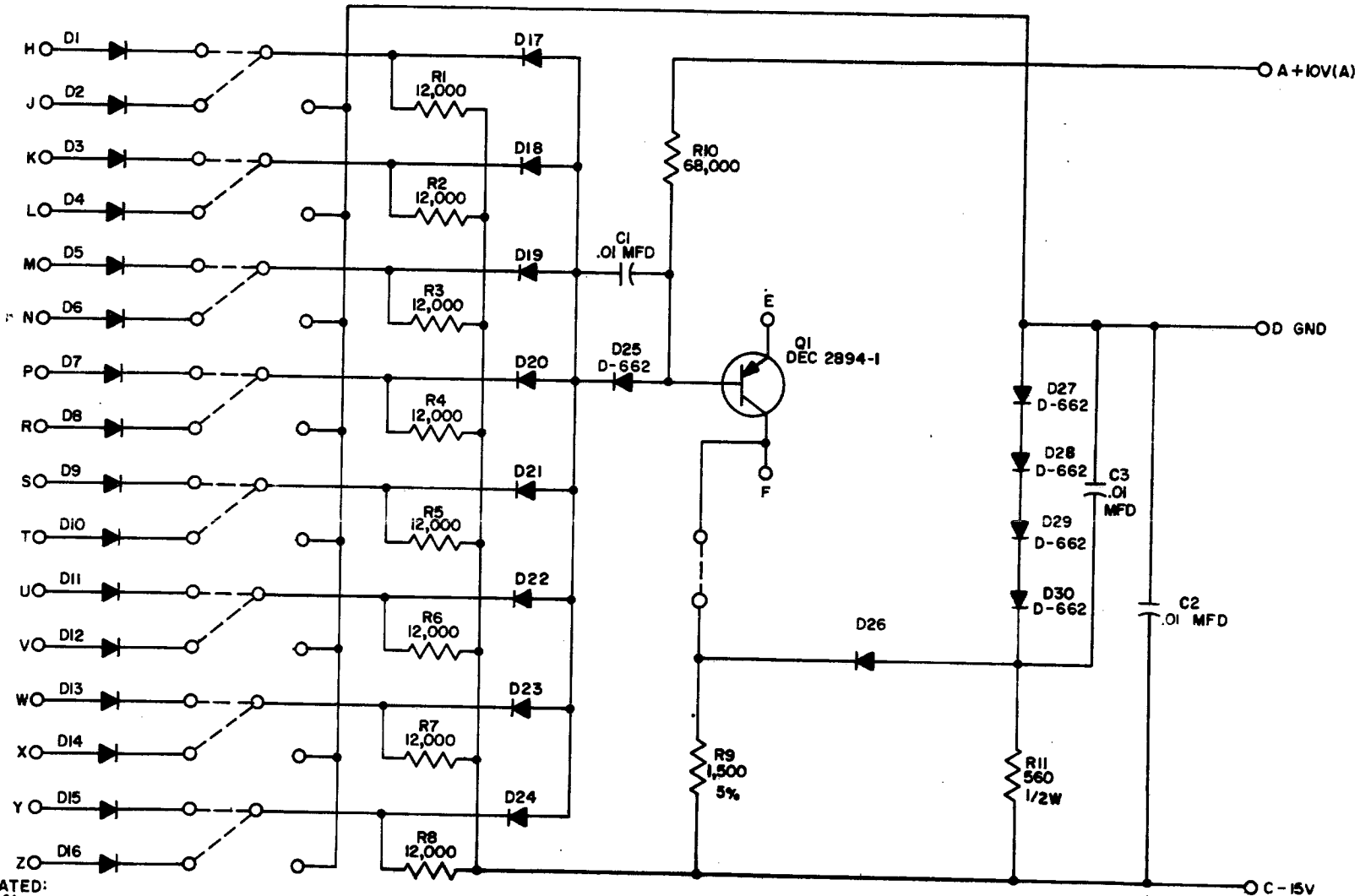


DIODE UNIT 4139 (A,B) RS-4139-3

THIS SCHEMATIC IS FURNISHED ONLY FOR TEST AND MAINTENANCE PURPOSES. THE CIRCUITS ARE PROPRIETARY IN NATURE AND SHOULD BE TREATED ACCORDINGLY.

COPYRIGHT 1963 BY DIGITAL EQUIPMENT CORPORATION

RS-B-4141-5



UNLESS OTHERWISE INDICATED:
RESISTORS ARE 1/4W; 10%
DIODES ARE D-664

TRANSISTOR & DIODE CONVERSION CHART			
DEC	EIA	DEC	EIA
DEC 2894-1	DEC 2894-1		
D-662	1N948		
D-664	1N3906		

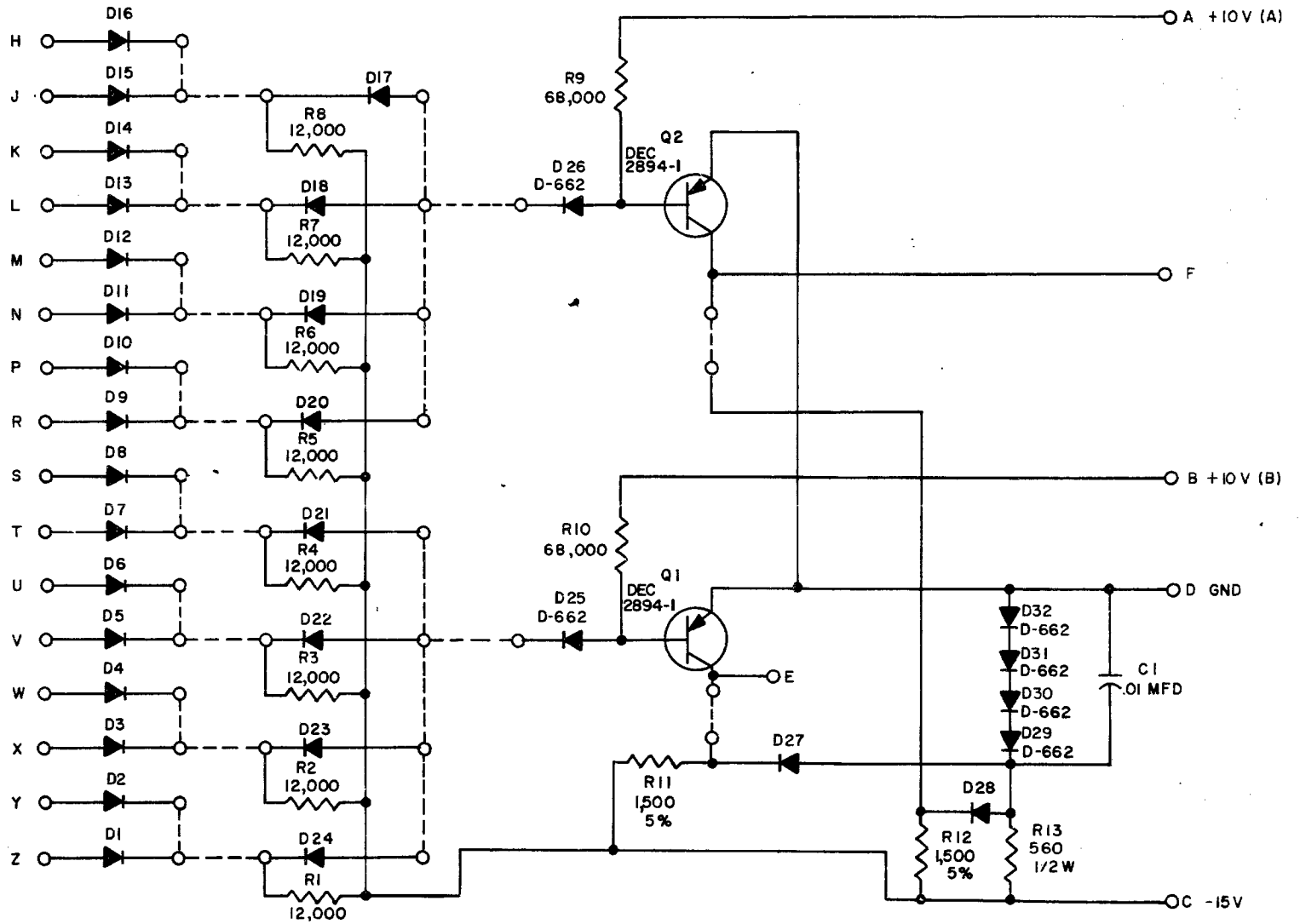
NOTES

THIS SCHEMATIC IS FURNISHED ONLY FOR TEST AND MAINTENANCE PURPOSES. THE CIRCUITS ARE PROPRIETARY IN NATURE AND SHOULD BE TREATED ACCORDINGLY.

COPYRIGHT 1968 BY DIGITAL EQUIPMENT CORPORATION

C			RS-B-4141	5
DIODE UNIT 4141				

RS-B-4143-4



UNLESS OTHERWISE INDICATED
 DIODES ARE D-664
 RESISTORS ARE 1/4 W, 10%

TRANSISTOR & DIODE CONVERSION CHART			
DEC	EIA	DEC	EIA
DEC 2894-1	DEC 2894-1		
D-664	1N3608		
D-982	1N648		

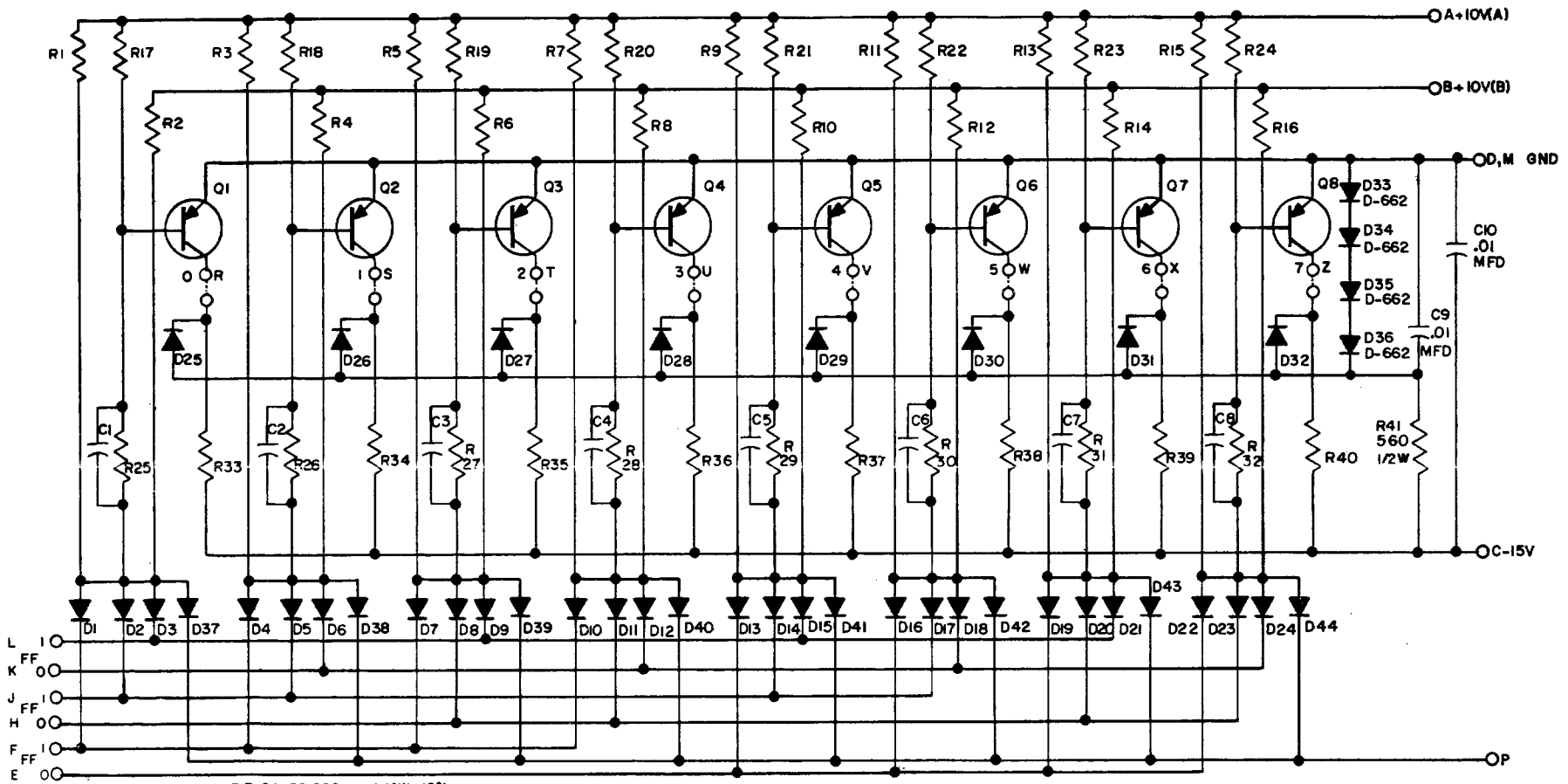
NOTES

THIS SCHEMATIC IS FURNISHED ONLY FOR TEST AND MAINTENANCE PURPOSES. THE CIRCUITS ARE PROPRIETARY IN NATURE AND SHOULD BE TREATED ACCORDINGLY.

COPYRIGHT 1965 BY DIGITAL EQUIPMENT CORPORATION

A,B,C			RS-B-4143	4
DIODE UNIT 4143				

RS-B-4150-6



Q1-Q8 ARE 2N1305
 UNMARKED DIODES
 ARE D-003.
 R1-R16 27,000 \sim 1/4W, 10%
 R17-24 56,000 \sim 1/4W, 10%
 R25-R32 2,200 \sim 1/4W, 5%
 R33-R40 1500 \sim 1/4W, 5%
 C1-C8 .001 MFD.
 C9 .01 MFD
 C10 .01 MFD
 R41 560 1/2W

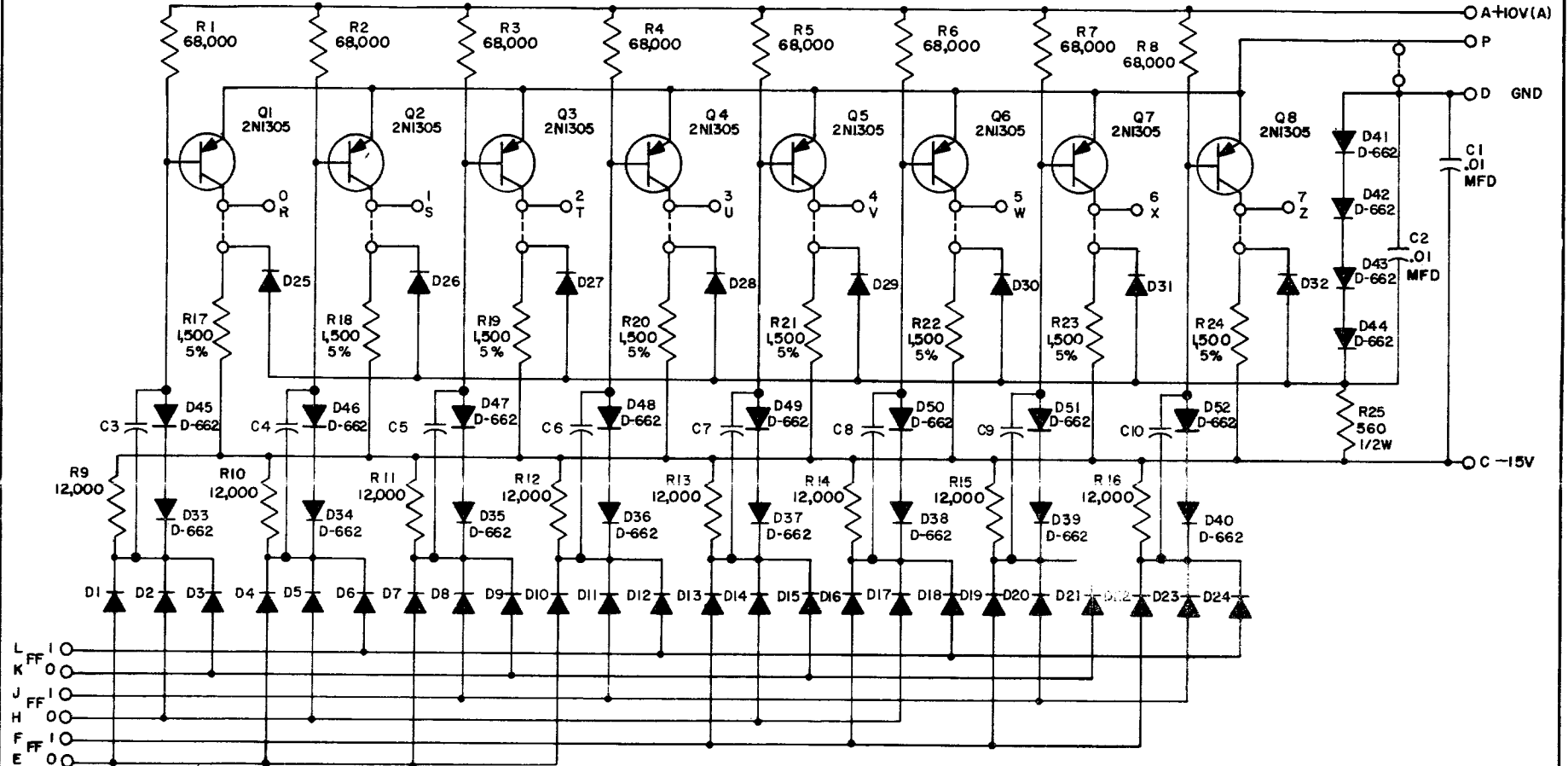
TRANSISTOR & DIODE CONVERSION CHART			
DEC	EIA	DEC	EIA
2N1305	2N1305		
D-003	IN994		
D-662	IN646		

NOTES

THIS SCHEMATIC IS FURNISHED ONLY FOR TEST AND MAINTENANCE PURPOSES. THE CIRCUITS ARE PROPRIETARY IN NATURE AND SHOULD BE TREATED ACCORDINGLY.
 COPYRIGHT 1963 BY DIGITAL EQUIPMENT CORPORATION

F	RS-B-4150	6
BINARY TO OCTAL DECODER 4150		

RS-4151-8



UNLESS OTHERWISE INDICATED
 RESISTORS ARE 1/4 W, 10 %
 DIODES ARE D-003
 CAPACITORS ARE .0022 MFD

TRANSISTOR & DIODE CONVERSION CHART			
DEC	EIA	DEC	EIA
2N1305	2N1305		
D-001	1N278		
D-662	1N645		

NOTES

THIS SCHEMATIC IS FURNISHED ONLY FOR TEST AND MAINTENANCE PURPOSES. THE CIRCUITS ARE PROPRIETARY IN NATURE AND SHOULD BE TREATED ACCORDINGLY.
 COPYRIGHT 1963 BY DIGITAL EQUIPMENT CORPORATION

0 1 2 3 4 5 6 7 8 9 A B C D E F G H I J K L M N O P Q R S T U V W X Y Z		
L	RS-4151	8
BINARY TO OCTAL DECODER 4151		

