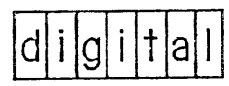


DRAWING NO.	NO. OF SHTS.	PART NO.	DESCRIPTION	REVISIONS																		
				A1	A2	A3	B3	C3	D3													
		TK70-01		A1	A2	A3	B3	C3	D3													
		TK70-02		A1	A2	A3	B3	C3	D3													
B-TC-TK70-0-DBU	1		FIELD MAINTENANCE PRINT SET (TK70)	A	A	A	A	A	A													
E-UA-TK70-0-DBU	2		TK70 TAPE DRIVE	A	B	C	D	E	F													
K-PL-TK70-0-DBP	2		TK70-TAPE-DRIVE (PL)	A	B	C	D	E	E													
B-RM-TK70-0-DBU	3		REVISION MATRIX DOCUMENT	A	B	B	C	D	E													
A-SP-TK70-0-1	23		TK70 PRODUCT SPECIFICATION	A	A	A	A	A	A													
K-PL-TK70-A-DBP	1		TK70 OPTION MODULE KIT	A	A	A	A	A	A													

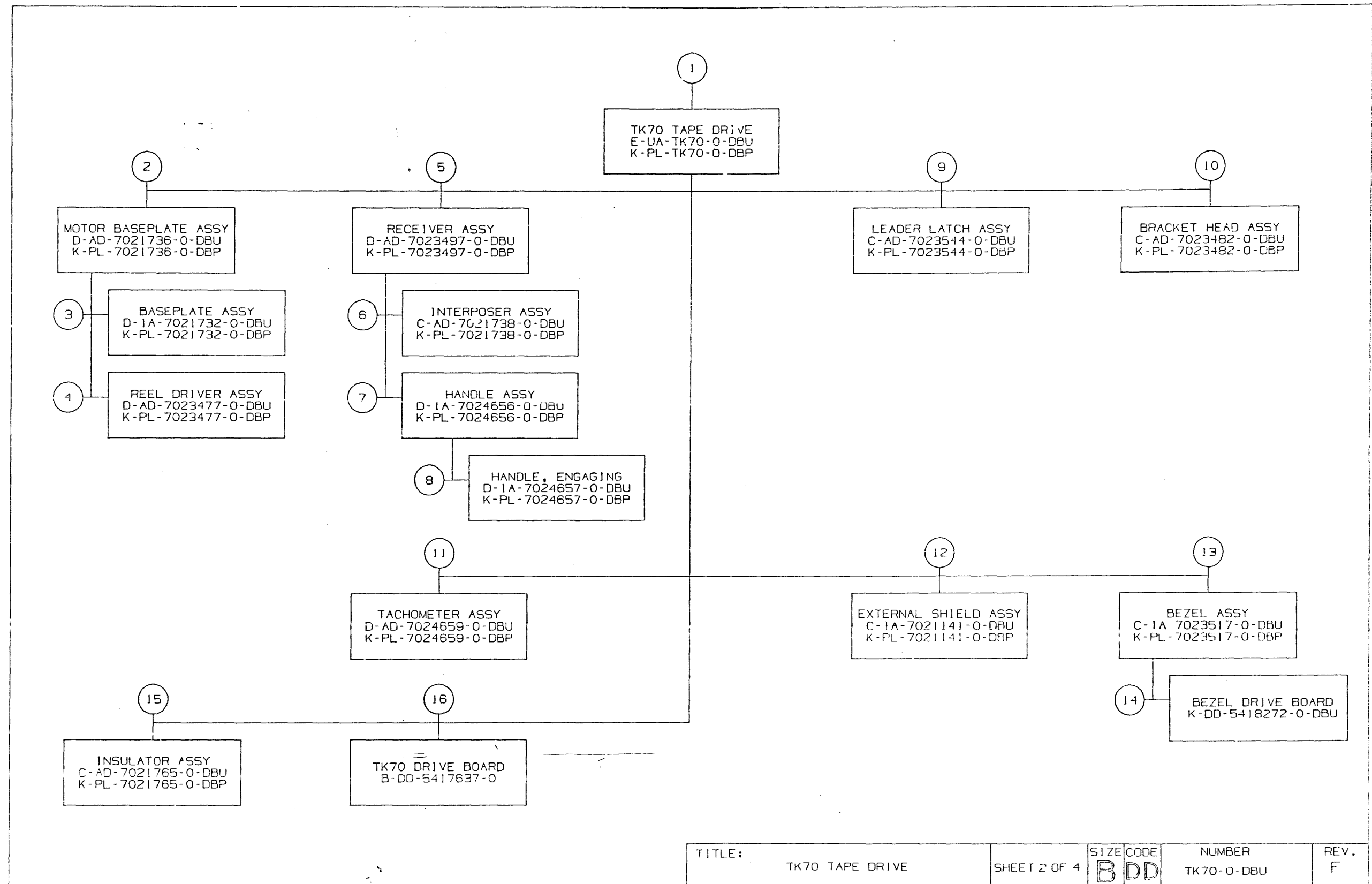
NOTES:

DATE	CHG NO.	REV.	REVISION																			
			INITIAL	A	B	C	D	E	F													

THIS DRAWING AND SPECIFICATIONS, HEREIN, ARE THE PROPERTY OF DIGITAL EQUIPMENT CORPORATION AND SHALL NOT BE REPRODUCED OR COPIED OR USED IN WHOLE OR IN PART AS THE BASIS FOR THE MANUFACTURE OR SALE OF ITEMS WITHOUT WRITTEN PERMISSION.
 COPYRIGHT © 1986
 DIGITAL EQUIPMENT CORPORATION



USED ON OPTION/MODEL TK70-AA	DRN. R. PUDELKO	DATE: 19 FEB 87	TITLE: TK70 TAPE DRIVE
	CHK'D K. CRANSON	DATE: 27 AUG 87	
	ENG. P. BARTON	DATE: 27 AUG 87	SIZE CODE B DD
	PROD. K. CRANSON	DATE: 27 AUG 87	NUMBER TK70-0-DBU
			REV. F
			SHEET 1 OF 1



TITLE:	TK70 TAPE DRIVE	SHEET 2 OF 4	SIZE CODE B DD	NUMBER TK70-0-DBU	REV. F
--------	-----------------	--------------	-------------------	----------------------	-----------

SHO

FIND NO.	DRAWING NO.	DESCRIPTION	TYPE	FIND NO.	DRAWING NO.	DESCRIPTION	TYPE
1	MPO2294-01	TK70 FIELD MAINTENANCE PRINT SET	-		B-MD-7429216-0-DBU	SHAFT, PIVOT LINK	M
	B-TC-TK70-0-DBU	TK70 TABLE OF CONTENTS	-		D-MD-7429214-0-DBU	LINK, CLUTCH LEFT HAND	M
	E-UA-TK70-0-DBU	TK70 DRIVE ASSY	E/M		D-MD-7429213-0-DBU	LNK, CLUTCH RIGHT HAND	M
	K-PL-TK70-0-DBP	TK70 DRIVE ASSY (PL)	E/M		D-MD-7429212-0-DBU	FLOOR, RECEIVER	M
	K-RM-TK70-0-DBU	TK70 REV. MATRIX DOCUMENT	-		D-MD-7429211-0-DBU	PLATE, CLUTCH	M
	A-SP-TK70-0-1	TK70 PRODUCT SPECIFICATION	E/M		D-MD-7434496-0-DBU	LINK, BUCKLING	M
	D-MD-7427668-0-DBU	REEL, TAKE-UP	M		A-PS-3628840-0-DBU	DECAL, HANDLE	-
	D-MD-7429616-0-DBU	CONSTRAINT, TAPE	M				
	D-MD-7428268-0-DBU	LEADER, TAKE-UP	M				
	C-MD-7432344-0-DBU	GUARD, TAPE	M				
	B-MD-7429585-0-DBU	STRAIN RELIEF, HEAD	M	6	C-AD-7021738-0-DBU	INTERPOSER ASSEMBLY	M
	D-MD-7430728-0-DBU	BRACKET, SPRING SUPPORT	M		K-PL-7021738-0-DBP	INTERPOSER ASSEMBLY (PL)	-
	D-MD-7434038-0-DBU	CAPSTAN, TACHOMETER	M		E-MD-7429215-0-DBU	INTERPOSER	M
	D-MD-7425652-0-DBU	PLATE, SKID	M		C-MD-7429218-0-DBU	MOUNT, SWITCH	M
	C-MD-7435724-0-DBU	RETAINER, DAMPER	M				
	B-MD-7435725-0-DBU	DAMPER, VIBRATION	M				
	D-1A-7436424-0-DBU	ENCLOSURE	M				
	K-PL-7436424-0-DBP	ENCLOSURE (PL)	M				
2	D-AD-7021736-0-DBU	MOTOR & BASEPLATE ASSEMBLY	E/M	7	D-1A-7024656-0-DBU	HANDLE ASSY	M
	K-PL-7021736-0-DBP	MOTOR & BASEPLATE ASSEMBLY (PL)	-		K-PL-7024656-0-DBP	HANDLE ASSY (PL)	-
	C-MD-7431857-0-DBU	PLATE, DRIVER SPRING SUPPORT	M				
	B-MD-7429607-0-DBU	SHIELD, ACTUATOR	M				
				8	D-1A-7024657-0-DBU	HANDLE, ENGAGING	M
					K-PL-7024657-0-DBP	HANDLE, ENGAGING (PL)	-
					B-MD-7434433-0-DBU	SHAFT	M
3	D-1A-7021732-0-DBU	BASEPLATE ASSEMBLY	M				
	K-PL-7021732-0-DBP	BASEPLATE ASSEMBLY (PL)	-				
	D-MD-7427667-0-DBU	BASEPLATE, MACHINING	M				
	B-MD-7429210-0-DBU	PIN, DRIVER LINK	M				
	C-MD-7429209-0-DBU	SHAFT, PULLEY	M	9	C-AD-7023544-0-DBU	LEADER LATCH ASSY	M
	B-MD-7429388-0-DBU	POST, HEAD GUIDE	M		K-PL-7023544-0-DBP	LEADER LATCH ASSY (PL)	-
					D-MD-7434495-0-DBU	ARM, BUCKLING	M
					D-MD-7432418-0-DBU	LINK, DRIVER	M
4	D-AD-7023477-0-DBU	REEL DRIVER ASSEMBLY	M				
	K-PL-7023477-0-DBP	REEL DRIVER ASSEMBLY (PL)	-				
	D-MD-7427691-0-DBU	HUB, DRIVER	M	10	C-AD-7023482-0-DBU	BRACKET HEAD ASSY	E/M
	E-MD-7427688-0-DBU	REEL, DRIVER	M		K-PL-7023482-0-DBP	BRACKET HEAD ASSY (PL)	-
					D-MD-7427718-0-DBU	BRACKET HEAD	M
5	D-AD-7023497-0-DBU	RECEIVER ASSY	M				
	K-PL-7023497-0-DBP	RECEIVER ASSY (PL)	-				
	E-MD-7432530-0-DBU	RECEIVER	M				

TYPE: E ELECTRICAL
M MECHANICAL
E/M ELECTRO/MECHANICAL

digital

TITLE: TK70 TAPE DRIVE

SHEET 3 OF 4

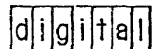
SIZE CODE
BDD

NUMBER
TK70-0-DBU

REV.
F

FIND NO.	DRAWING NO.	DESCRIPTION	TYPE	FIND NO.	DRAWING NO.	DESCRIPTION	TYPE
11	D-AD-7024659-0-DBU	TACHOMETER ASSY	M				
	K-PL-7024659-0-DBP	TACHOMETER ASSY (PL)	-				
	E-1A-7432341-0-DBU	BODY, TACHOMETER	M				
	D-MD-7427698-0-DBU	DISC, ENCODER	M				
	D-MD-7434038-0-DBU	CAPSTAN, TACHOMETER	M				
	D-MD-7429220-0-DBU	MASK, ENCODER	M				
	D-MD-7432343-0-DBU	GUIDE, TACHOMETER	M				
	C-MD-7432342-0-DBU	COVER PLATE, TACHOMETER	M				
	B-MD-7431389-0-DBU	RING SUPPORT CAPSTAN	M				
	B-MD-7032345-0-DBU	SHAFT, TACHOMETER	M				
12	C-1A-7021141-0-DBU	EXTERNAL SHIELD ASSY	M				
	K-PL-7021141-0-DBP	EXTERNAL SHIELD ASSY (PL)	-				
	D-MD-7429208-0-DBU	BRACKET, EXTERNAL SHIELD	M				
	B-MD-7429371-0-DBU	SHIELD	M				
13	C-1A-7023517-0-DBU	BEZEL ASSY	M				
	K-PL-7023517-0-DBP	BEZEL ASSY (PL)	-				
	E-MD-7434041-0-DBU	BEZEL	M				
	C-MD-7434166-0-DBU	BUTTON, PUSH	M				
	A-PS-3627465-0	DECAL, BEZEL TK70	-				
14	K-DD-5418272-0-DBU	BEZEL DRIVE BOARD	E/M				
15	C-AD-7021765-0-DBU	INSULATOR ASSY	M				
	K-PL-7021765-0-DBP	INSULATOR ASSY (PL)	-				
	D-MD-7430814-0-DBU	CLIP, GROUNDING (REWORKED)	M				
	C-MD-7431149-0-DBU	INSULATOR, SKID PLATE	M				
16	B-DD-5417637-0	TK70 DRIVE BOARD	E/M				

TYPE: E ELECTRICAL
M MECHANICAL
E/M ELECTRO/MECHANICAL



TITLE: TK70 TAPE DRIVE

SHEET 4 OF 4

SIZE CODE
BDD

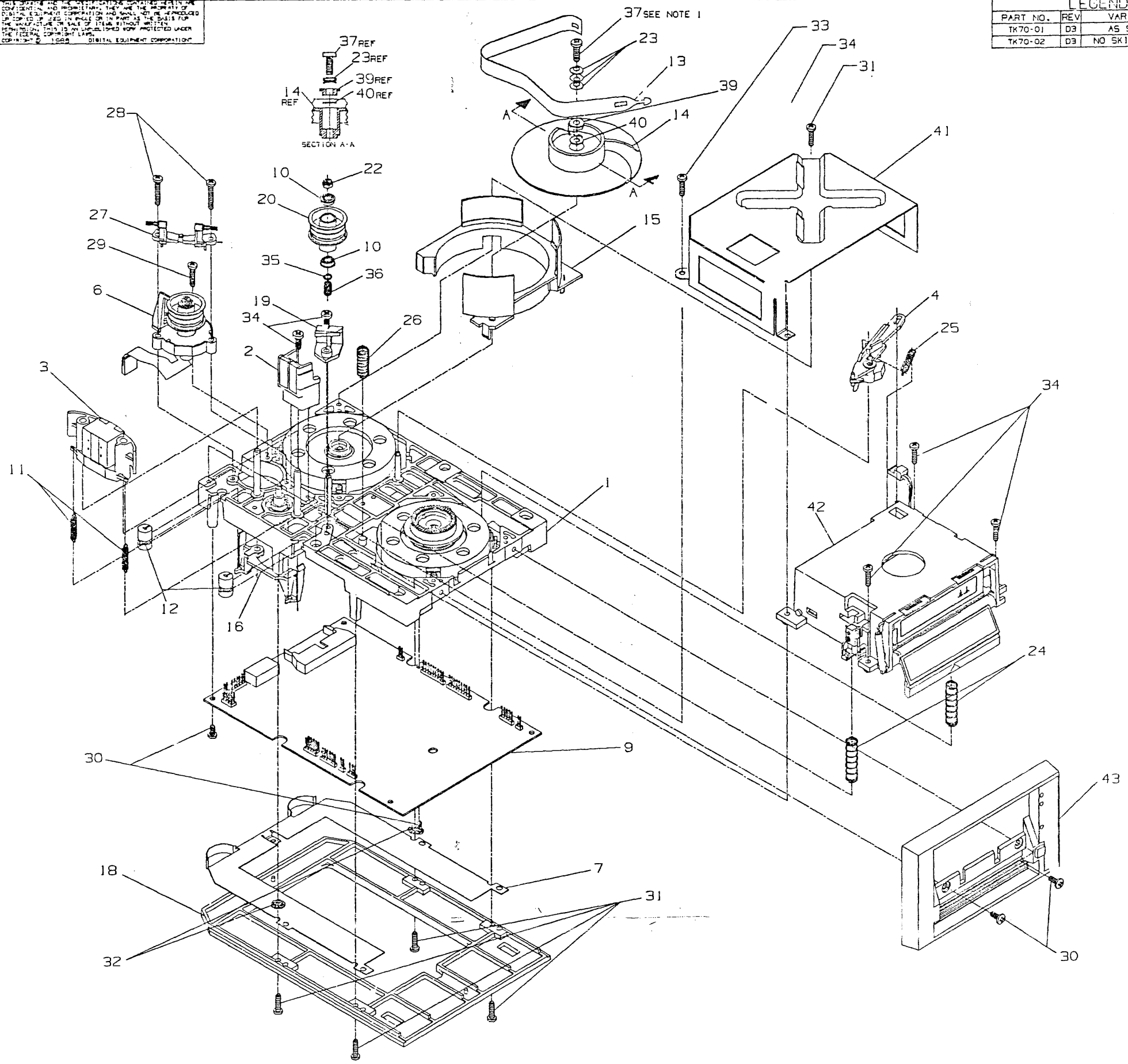
NUMBER
TK70-0-DBU

REV.
F

UNLESS OTHERWISE SPECIFIED, ALL DIMENSIONS AND TOLERANCES ARE IN INCHES. UNLESS OTHERWISE SPECIFIED, DIMENSIONS ARE TO BE MAINTAINED TO THE EXTENT OF THE PRESENT DRAWING. THIS DRAWING IS UNCLASSIFIED AND NOT PROTECTED UNDER THE FEDERAL COPYRIGHT LAWS. COPYRIGHT © 1968, DIGITAL EQUIPMENT CORPORATION

LEGEND		
PART NO.	REV	VARIATION
TK70-01	D3	AS SHOWN
TK70-02	D3	NO SKID PLATE

NOTES:
 1. TORQUE SCREW (ITEM 37) TO 10±2 IN. POUNDS.
 2. HANDLING OF DRIVE DURING ASSEMBLY, TEST, INSTALLATION AND DEINSTALLATION MUST CONFORM WITH THE REQUIREMENTS OF DEC STD 06710, HANDLING OF ELECTRO-STATIC SENSITIVE DEVICES. ALSO, SEE DEC STD EL-MF409-00 AS A REFERENCE.



CAUTION
 OFF SHEET PARTS LIST EXISTS
 SEE K-PL-TK70-0-DBP

REV	DATE	BY	CHKD	APP'D	DESCRIPTION
A	11/27/68	W. H.	R. P.	K. C.	REVISED TO 10 AUG 67
B	1/7/69				
C	9/25/69				
D	10/20/69				
E	1/15/70				
F	1/20/70				
G	1/20/70				

E-D0-TK70-0-DBP

QUANTITY	DESCRIPTION	DRAWMAN	DATE	DIMENSION RANGE IN INCHES							
				0-1/16	1/16-1/8	1/8-1/4	1/4-3/8	3/8-1/2	1/2-1	1-2	
		R. PUGELNO	29 FEB 67								
		A. HIGGINS	10 AUG 67								
		P. BARTON	10 AUG 67								
		K. CRANSON	10 AUG 67								
		F. BELLIVEAU	10 AUG 67								

TK70 TAPE DRIVE ASSY

REV. F

ALL DIMENSIONS AND SPECIFICATIONS CONTAINED HEREIN ARE CONFIDENTIAL AND PROPRIETARY. THEY ARE THE PROPERTY OF DIGITAL EQUIPMENT CORPORATION AND SHALL NOT BE REPRODUCED OR COPIED IN WHOLE OR IN PART OR IN ANY MANNER FOR THE MANUFACTURE OR SALE OF ITEMS WITHOUT WRITTEN PERMISSION. THIS IS AN UNCLASSIFIED WORK PROTECTED UNDER THE FEDERAL COPYRIGHT LAWS. COPYRIGHT © 1985, DIGITAL EQUIPMENT CORPORATION.

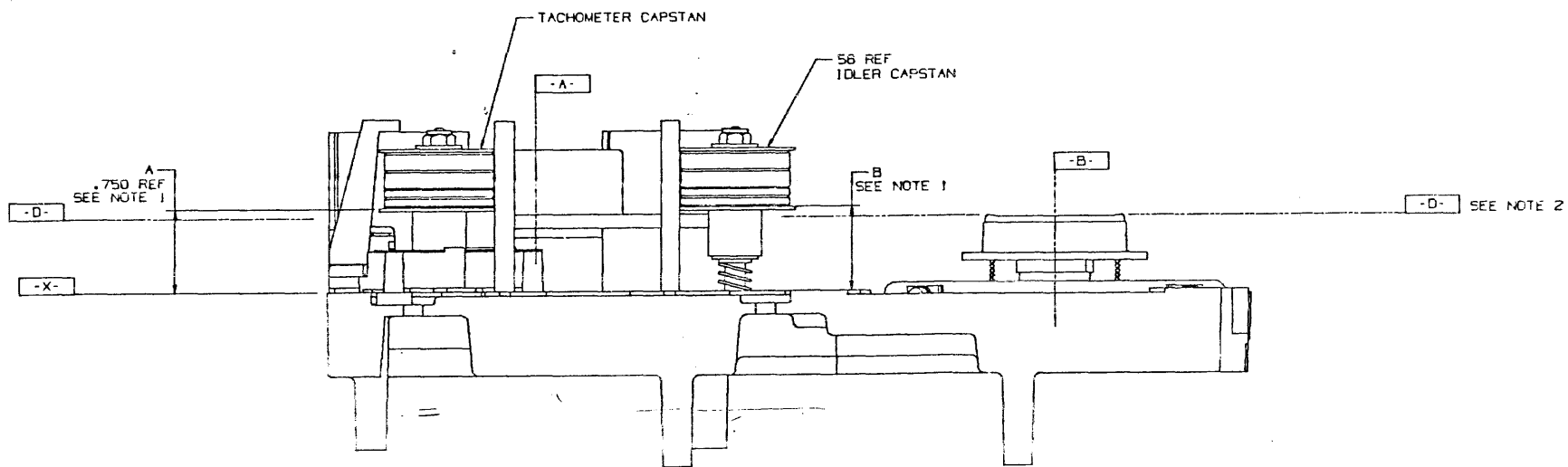
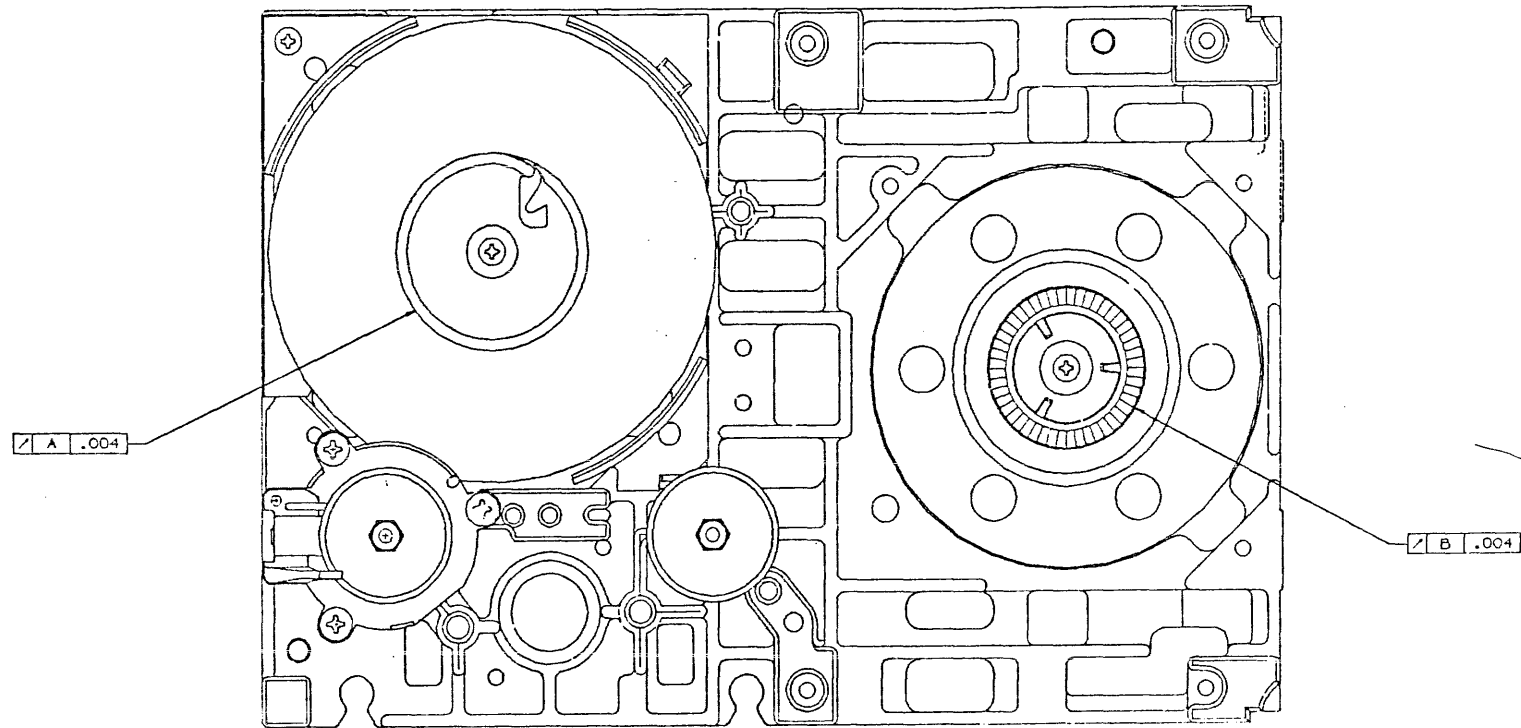
TK70-0-DBU

NOTES:

1. ADJUST EACH CAPSTAN HEIGHT (A & B) SUCH THAT THE LOWER FLANGE OF EACH LIES IN PLANE .092 ± .002 ABOVE THE MEASURED DATUM -D- AND THE DIFFERENCE IN HEIGHT OF THE LOWER FLANGES OF THE CAPSTAN IS ± .001.

CONDITIONS TO BE MET:
 DIMENSIONS A-C = .092 ± .002
 DIMENSIONS B-C = .092 ± .002
 DIMENSIONS |A-B| ≤ .001

2. DATUM -D- DEFINED BY TOP OF .0469 DIA PINS.



REVISION HISTORY		
DATE	ECO HISTORY	REV

TITLE
 TK70 TAPE DRIVE
 ASSY

DOCUMENT NUMBER		
SYMBOL	NUMBER	REV
E UA	TK70-0-DBU	F
REPAIR 271	SHEET 2	OF 2

LINE	ITEM	TOP DOCUMENT	PART NUMBER	MIN REV	DESCRIPTION	01 D03	02 D03
1	1	D-AD-7021736-0-DBU	70-21736-02		MOTOR BASEPLATE ASSY	1	1
2	2	C-IA-7021141-0-DBU	70-21141-01		EXTERNAL SHIELD ASSY.	1	1
3	3	C-AD-7023482-0-DBU	70-23482-01		TK70 RECORDING HEAD (1/2" TAPE)	1	1
4	4	C-AD-7023544-0-DBU	70-23544-01		LEADER LATCH ASSY	1	1
5	5				*** THIS ITEM IS NOT USED ***	-	-
6	6	D-AD-7024659-0-DBU	70-24659-01		TACHOMETER ASSY	1	1
7	7	C-AD-7021765-0-DBU	70-21765-01		INSULATOR ASSY.	1	-
8	8				*** THIS ITEM IS NOT USED ***	-	-
9	9	D-IA-5417637-0-DBU	54-17637-01		TK70 DRIVE MODULE	1	1
10	10	A-SP-1222788-0-DBU	12-22788-01		BEARING,BALL,FLANGED	2	2
11	11	A-SP-1222895-0-DBU	12-22895-01		SPRING,EXTENSION,HEAD BRACKET	2	2
12	12	B-MD-7429585-0-DBU	74-29585-01		STRAIN RELIEF,HEAD	2	2
13	13	D-MD-7428268-0-DBU	74-28268-01		LEADER,CARTRIDGE (TAKE-UP)	1	1
14	14	D-MD-7427668-0-DBU	74-27668-01		REEL,TAKE-UP	1	1
15	15	D-MD-7429616-0-DBU	74-29616-01		CONSTRAINT,TAPE	1	1
16	16	D-MD-7430728-0-DBU	74-30728-01		BRACKET,HEAD SPRING	1	1
17	17	C-AD-7024666-0-DBU	70-24666-01		*** THIS ITEM IS NOT USED ***	-	-
18	18	D-MD-7425652-0-DBU	74-25652-01		PLATE,SKID	1	-
19	19	C-MD-7432344-0-DBU	74-32344-01		GUARD, TAPE	1	1
20	20	D-MD-7434038-0-DBU	74-34038-01		CAPSTAN, TACHOMETER	1	1
21	21	A-PS-1224692-0-0	12-24692-02		*** THIS ITEM IS NOT USED ***	-	-
22	22	A-PS-9008054-0-DBU	90-08054-00		NUT,HEX SLF LCKNG NYL INS 4-40X	1	1
23	23	A-PS-9010506-0-0	90-10506-01		WASHER,SPRING BELLEVILLE STEEL	3	3
24	24	A-PS-1222357-0-DBU	12-22357-01		SPRING,COMPRESSION .3200DX	2	2
25	25	A-PS-1222358-0-DBU	12-22358-01		SPRING,EXTENSION .2600D	1	1
26	26	A-PS-1212912-0-DBU	12-12912-01		SPRING,COMPRESSION .3000DX1.00 LG	1	1
27	27	A-PS-1123276-0-DBU	11-23276-01		EOT/BOT LED-PHOTO ASSY	1	1
28	28	A-PS-9000049-0-DBU	90-00049-58		SCREW,SEMS 6-32 PAN .750 XRCS	2	2
29	29	A-PS-9010109-0-DBU	90-10109-00		SCREW,SEMS 6-32 PAN .625 XRCS	1	1
30	30	A-PS-9010717-0-DBU	90-10717-01		SCREW,MACH 6-32 PAN .250 XRCS	4	4

REVISION HISTORY			KPL MATRIX FORMAT SECTION A OF A		DRN: R. PUDELKO	DIGITAL				
ENG	ECO NUMBER	REV	SECTION/VARIATION INDEX		DATE: 23-APR-87					
---	INITIAL	A	[A]	01,02	CHK'D: A.HIGGINS	TITLE PARTS LIST				
EW	TK70-SH001	B	[B]		DATE: 06-AUG-87	TK70 TAPE DRIVE ASSY				
PB	TK70-SH002	C	[C]		DES.ENG: P.BARTON					
EW	TK70-SH003	D	[D]		DATE: 06-AUG-87	DOCUMENT NUMBER				
PB	TK70-SH004	E	[E]		RESP.ENG.: K.CRANSON	SIZE	CODE	NUMBER	REV	
PB	TK70-SH005	F	[F]		DATE: 06-AUG-87	K	PL	TK70-0-DBP	F	
			[H]		MFG.ENG: F.BELLIVEAN	RELEASE DATE: 01-FEB-90				
			[J]		DATE: 06-AUG-87	RELEASE STATUS: RELEASED				
			BASIC PART NUMBER: TK70		ASSEMBLY NUMBER: E-UA-TK70-0-DBU		TOP DOCUMENT NUMBER: B-DD-TK70-0-DBU		EDIT #	
									2	
FILE NAME: TK70F.PLS										

"THIS DRAWING AND THE SPECIFICATIONS CONTAINED HEREIN ARE CONFIDENTIAL AND PROPRIETARY. THEY ARE THE PROPERTY OF DIGITAL EQUIPMENT CORPORATION AND SHALL NOT BE REPRODUCED OR COPIED OR USED IN WHOLE OR IN PART AS THE BASIS FOR THE MANUFACTURE OR SALE OF ITEMS WITHOUT WRITTEN PERMISSION. THIS IS AN UNPUBLISHED WORK PROTECTED UNDER THE FEDERAL COPYRIGHT LAWS."

LINE	ITEM	TOP DOCUMENT	PART NUMBER	MIN REV	DESCRIPTION	01 D03	02 D03
31	31	A-PS-9006022-0-DBU	90-06022-01		SCREW, MACH 6-32 PAN .375 XRCS	4	-
32	32	A-PS-9009882-0-DBU	90-09882-00		WASHER, LOCK INTERNAL SST	2	-
33	33	A-PS-9000049-0-DBU	90-00049-36		SCREW, THRL 6-32 PAN .500 XRCS	1	1
34	34	A-PS-9010174-0-DBU	90-10174-03		SCREW, SEMS 6-32 PAN .500 XRCS	6	6
35	35	A-PS-1224692-0-DBU	12-24692-03		WASHER, FLAT	1	1
36	36	A-PS-1213656-0-DBU	12-13656-05		SPRING, COMPRESSION .2350DX .83 LG	1	1
37	37	A-PS-9006022-0-0	90-06045-01	A	SCREW, MACH 8-32 PAN XRCS	1	1
38	38	A-PS-9010174-0-DBU	90-10174-01		*** THIS ITEM IS NOT USED ***	-	-
39	39	C-MD-7435724-0-DBU	74-35724-01		RETAINER, DAMPER	1	1
40	40	B-MD-7435725-0-DBU	74-35725-01		DAMPER, VIBRATION	1	1
41	41	D-IA-7436424-0-DBU	74-36424-01		ENCLOSURE	1	1
42	42	D-AD-7023497-0-DBU	70-23497-02		RECEIVER ASSY NOTCHED	1	1
43	43	D-AD-7023517-0-DBU	70-23517-02		BEZEL ASSY, NOTCHED	1	1

D	I	G	I	T	A	L	TITLE	SECTION A OF A	SIZE	CODE	DOCUMENT NUMBER	REV
							TK70 TAPE DRIVE ASSY		K	PL	TK70-0-DBP	F

DRAWING NO.	NO. OF SHTS.	PART NO.	DESCRIPTION	REVISIONS																		
				A1	A2	A3	A4	A5	B5													
		5417637-01	TK70 DRIVE	A1	A2	A3	A4	A5	B5													
D-UA-5417637-0-0	5		TK70 DRIVE	A	B	C	D	E	F													
K-PL-5417637-0-DBP	4		PARTS LIST (SH291)	A	B	C	D	E	F													
K-CS-5417637-0-DBS	-		CIRCUIT SCHEMATIC DATA BASE	A	B	B	B	C	C													
K-PC-5417637-0-DBV	-		P.C. DESIGN DATA BASE	A	A	B	B	B	C													
K-CS-5417637-0-1	7		CIRCUIT SCHEMATIC	A	B	B	B	C	C													
		5017636-01	ETCH CIRCUIT BOARD	A1	A1	A2	A2	A2	A2													
B-DD-5017636-0	1		DRAWING DIRECTORY	A	A	B	B	B	B													

NOTES:

REVISION HISTORY		DATE	ECC NO	REV	A	B	C	D	E	F												
		FEB 87	INIT																			
		APR 88	SH001																			
		JUN 88	SH002																			
		MAR 89	SH003																			
		MAY 89	SH004																			
		DEC 89	SH005																			

THIS DRAWING AND THE SPECIFICATIONS CONTAINED HEREIN ARE CONFIDENTIAL AND PROPRIETARY. THEY ARE THE PROPERTY OF DIGITAL EQUIPMENT CORPORATION AND SHALL NOT BE REPRODUCED OR COPIED OR USED IN WHOLE OR IN PART AS THE BASIS FOR THE MANUFACTURE OR SALE OF ITEMS WITHOUT WRITTEN PERMISSION. THIS IS AN UNPUBLISHED WORK PROTECTED UNDER THE FEDERAL COPYRIGHT LAWS. 1987



DRN.	R. KOPPENAL	DATE	23FEB87
CHKD.	R. KOPPENAL	DATE	23FEB87
DES. ENG.	D. BEAUREGARD	DATE	10FEB87
RESP. ENG.	D. BEAUREGARD	DATE	10FEB87
MFG. ENG.	C. SWEENEY	DATE	12MAR87

TITLE :			
TK70 DRIVE			
DOCUMENTATION NUMBER			
MEDIA	CODE	NUMBER	REV.
B	00	5417637-0	F
SIZE - B		SHEET 1 OF 1	

8 7 6 5 4 3 2 1

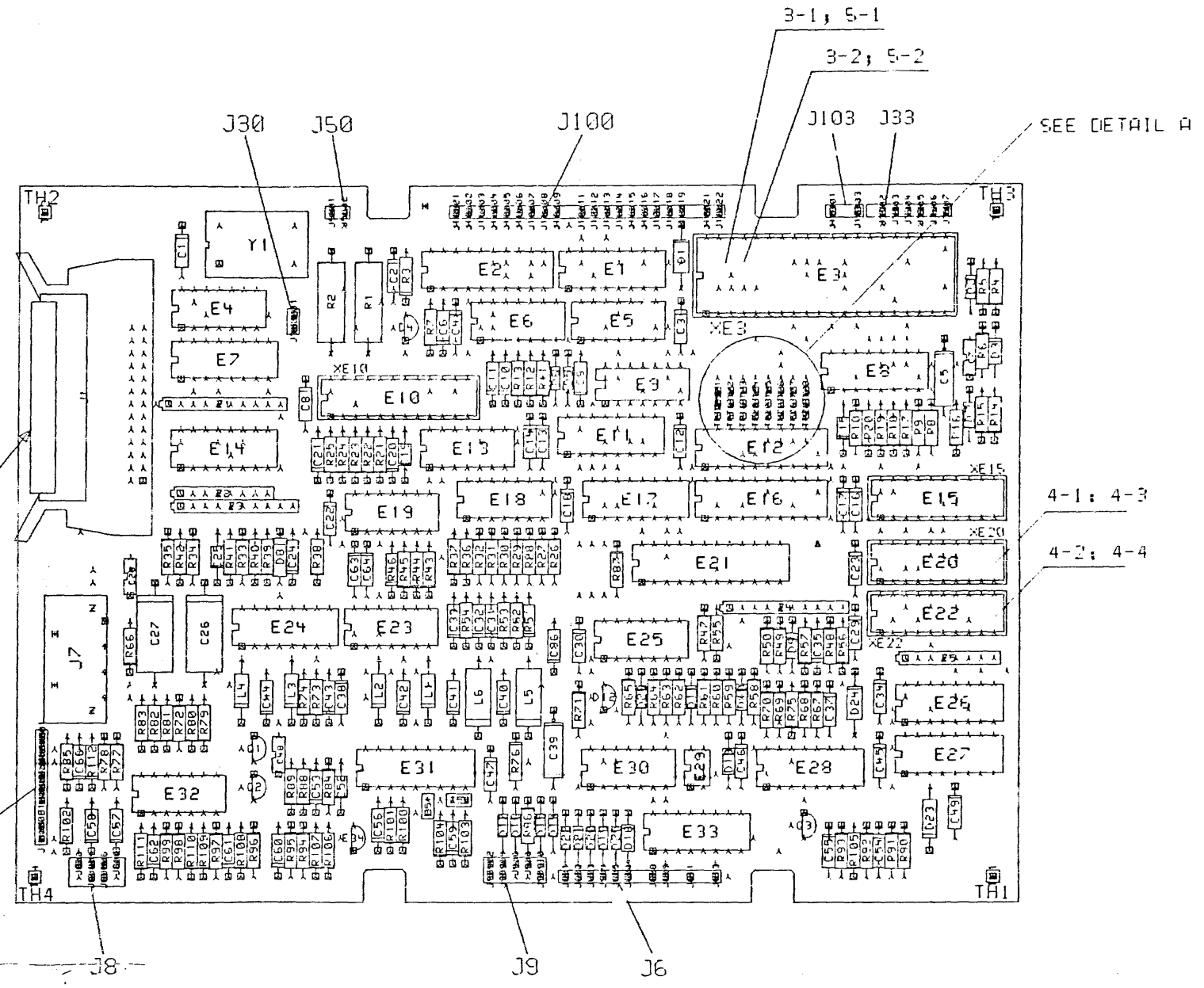
THIS DRAWING AND THE SPECIFICATIONS CONTAINED HEREIN ARE THE PROPERTY OF THE COMPANY. THEY ARE TO BE KEPT IN CONFIDENCE AND NOT TO BE REPRODUCED OR COPIED IN ANY MANNER WITHOUT THE WRITTEN PERMISSION OF THE COMPANY. THIS IS AN UNLIMITED WORK CONTRACT. © 1986, MILITARY EQUIPMENT CORPORATION

VIEWED FROM SIDE 1
COMPONENT SIDE

DETAIL A

	(W2)	(W3)	(W4)	(W5)	(W6)	(W7)	(W8)
TP1	TP2	TP3	TP4	TP5	TP6	TP7	TP8
□	□	□	□	□	□	□	□
TP9	TP10	TP11	TP12	TP13	TP14	TP15	TP16
□	□	□	□	□	□	□	□
TP17	TP18	TP19	TP20	TP21	TP22	TP23	TP24
□	□	□	□	□	□	□	□

SEE NOTE 3



CHK	DRAWN BY	ENGINEER	CHANGE NO	DATE	REV
RK	R. KOFFENAL	A. M. HICKEY	SH001	4/88	A
RK	L. BARRETT	A. M. HICKEY	SH002	6/88	C
RK	G. BURDENKO	A. M. HICKEY	SH003	3/89	D
RK	L. BARRETT	A. M. HICKEY	SH004	5/89	E
RK	G. BURDENKO	SULLIVAN	SH005	12/89	F

CHK	DRAWN BY	ENGINEER	CHANGE NO	DATE	REV

NOTES
 1. SPARE I.C. LOCATIONS ARE E21.
 2. TP1-TP24 WILL BE USED TO SET DRIVE (ELECTRICAL/MECHANICAL) HARDWARE REVISION FOR FIELD SERVICE.
 3. PLACE BARCODE AT THIS LOCATION.

SIGNATURES	DATE
DRAWN STU EVANS JR.	01/06/86
CHECKED KOFFENAL	01/06/86
MECH ENG D. BEAUFORT	2/2/87
PROJ ENG D. BEAUFORT	2/2/87
PROD. C. SWEENEY	03/04/87

TITLE		digital	
TK70 DRIVE		SIZE	CODE
SHEET 1	OF 5	1/1A	5417637-0-0
TOP DOC NO	B-00-5417637-0	NUMBER	REV

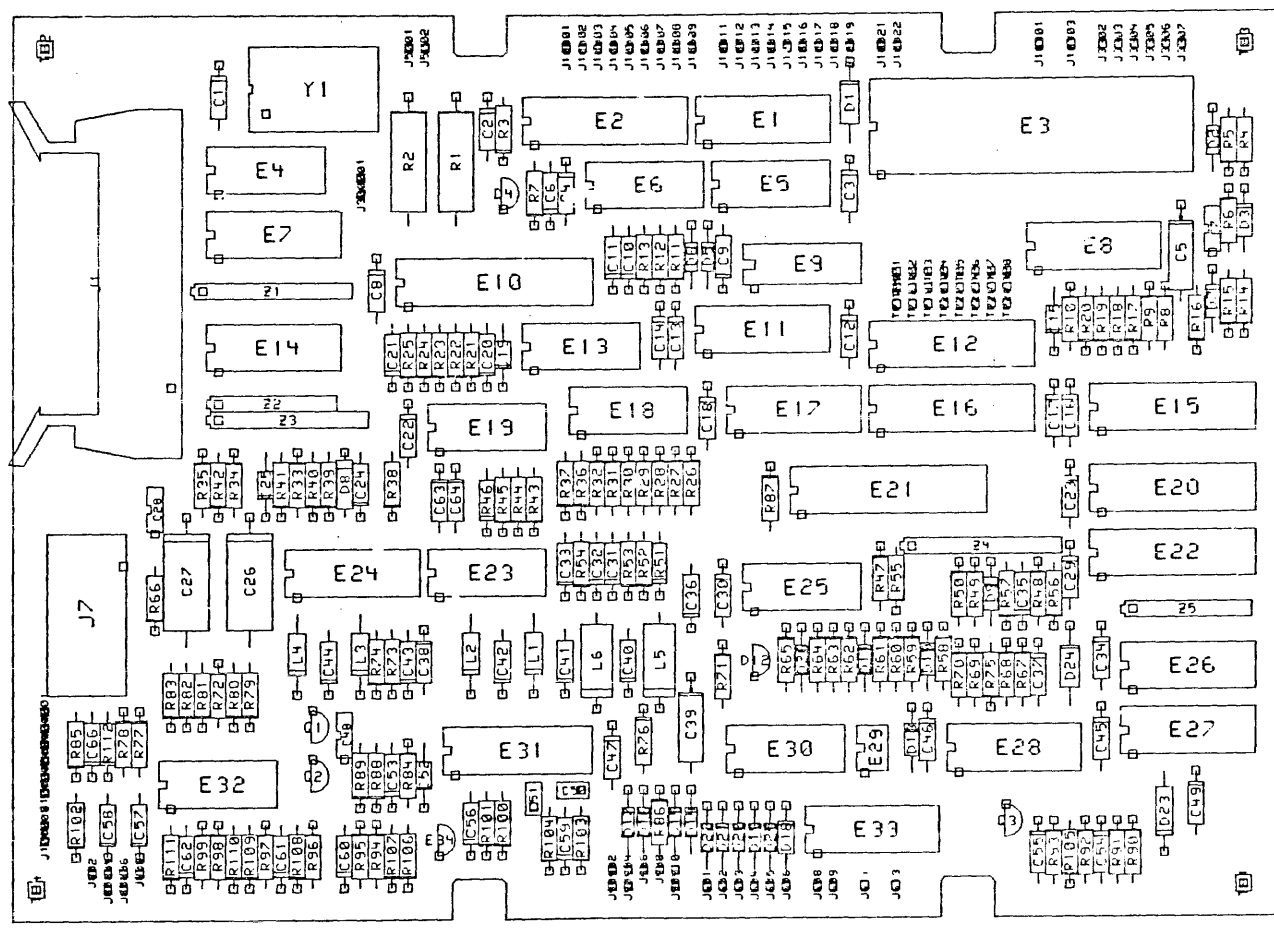
8 7 6 5 4 3 2 1

4087644

8 7 6 5 4 3 2 1

THIS DRAWING AND THE SPECIFICATIONS CONTAINED HEREIN ARE THE PROPERTY OF THE UNITED STATES GOVERNMENT AND ARE NOT TO BE REPRODUCED OR TRANSMITTED IN ANY FORM OR BY ANY MEANS, ELECTRONIC OR MECHANICAL, INCLUDING PHOTOCOPYING, RECORDING, OR BY ANY INFORMATION STORAGE AND RETRIEVAL SYSTEM, WITHOUT PERMISSION IN WRITING FROM THE DIRECTOR, COMPTON ELECTRONIC CORPORATION.

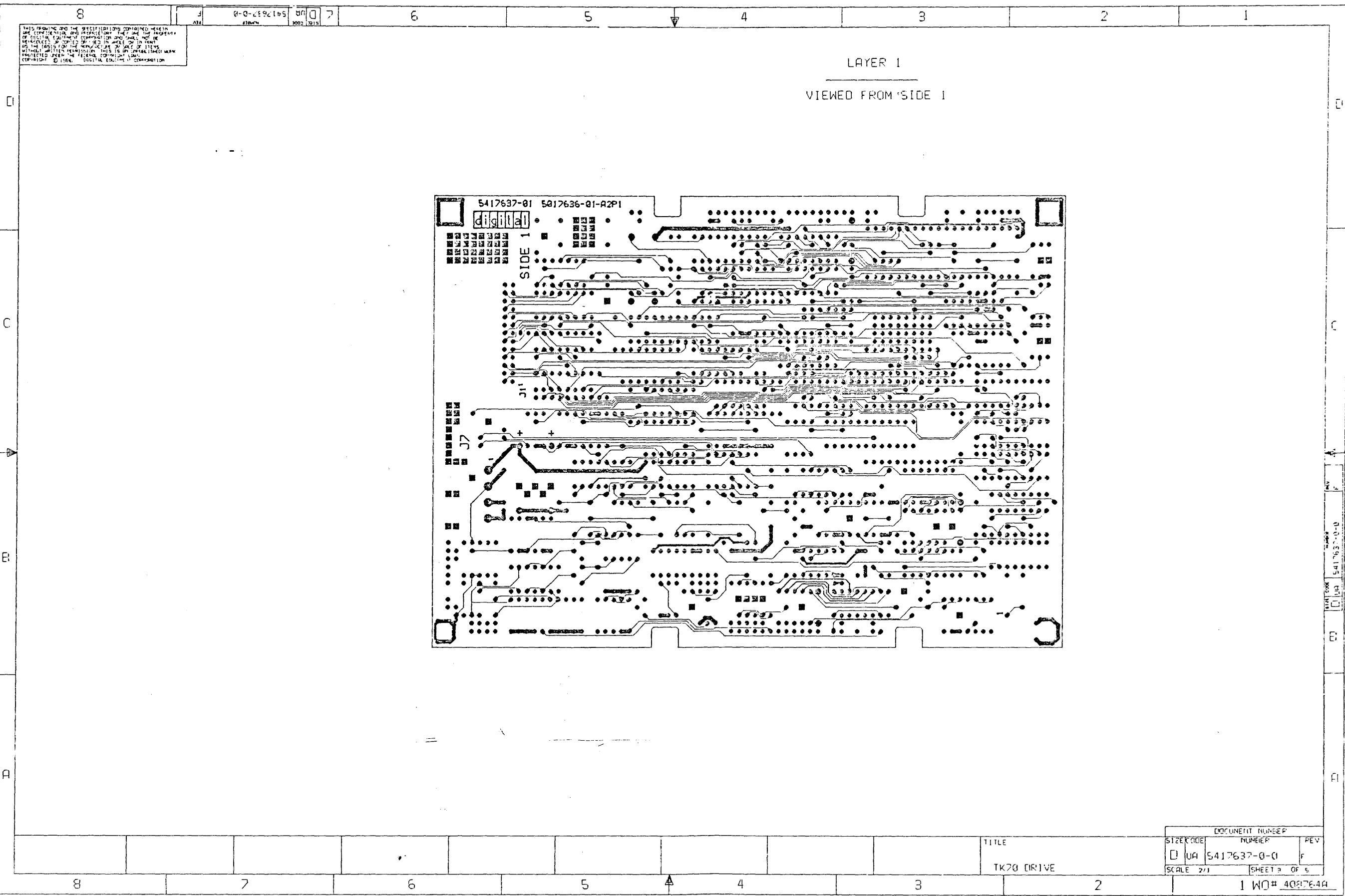
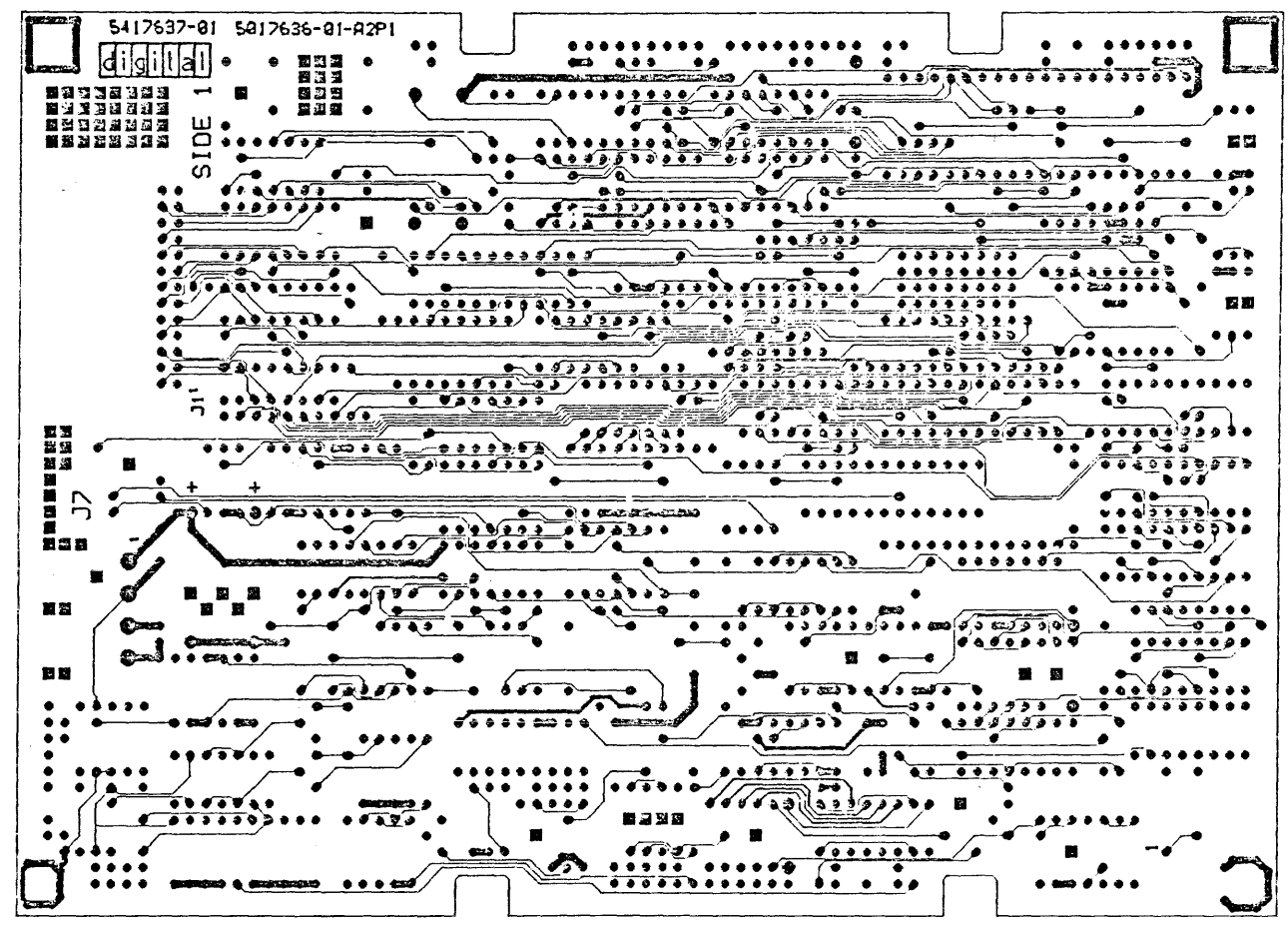
VIEWED FROM SIDE 1
COMPONENT SIDE



THIS DRAWING AND THE SPECIFICATIONS CONTAINED HEREIN ARE CONFIDENTIAL AND UNCLASSIFIED EXCEPT FOR THE PORTION OF THIS DRAWING WHICH IS UNCLASSIFIED AND THE PORTION OF THIS DRAWING WHICH IS UNCLASSIFIED. ALL INFORMATION CONTAINED HEREIN IS UNCLASSIFIED EXCEPT WHERE SHOWN OTHERWISE. DATE OF DECLASSIFICATION IS INDEFINITE.

0-0-2592165
 002 1013

LAYER 1
 VIEWED FROM SIDE 1



TITLE
 TK70 DRIVE

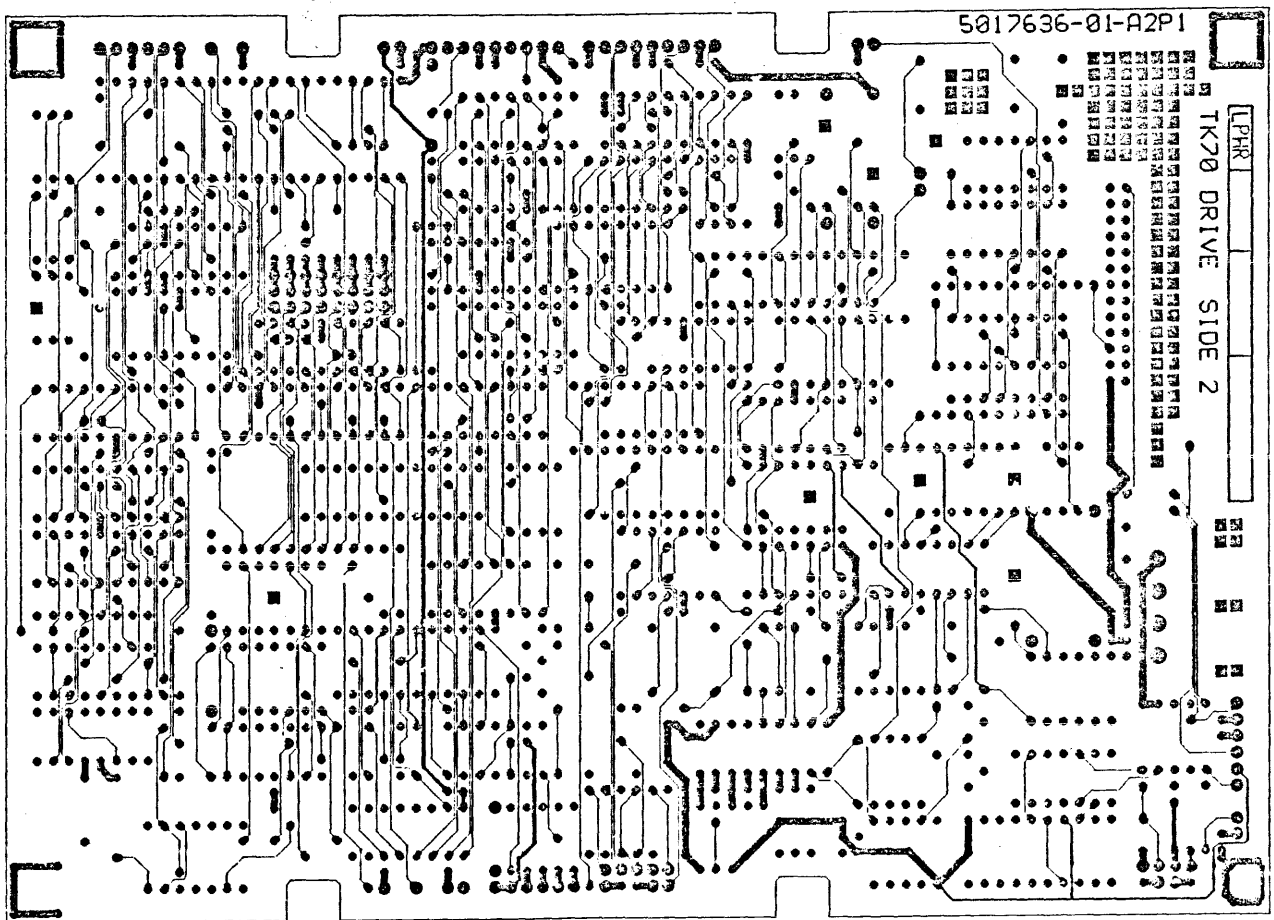
SIZE/SCALE	DOCUMENT NUMBER	REV
UA	5417637-0-01	F
SCALE 2/1	SHEET 3 OF 5	

WO# 408764A

8 7 6 5 4 3 2 1

THIS DRAWING AND THE SPECIFICATIONS CONTAINED HEREIN ARE CONFIDENTIAL AND PROPRIETARY. THEY ARE THE PROPERTY OF DIGITAL EQUIPMENT CORPORATION AND SHALL NOT BE REPRODUCED OR TRANSMITTED IN ANY FORM OR BY ANY MEANS, ELECTRONIC OR MECHANICAL, INCLUDING PHOTOCOPYING, RECORDING, OR BY ANY INFORMATION STORAGE AND RETRIEVAL SYSTEM, WITHOUT WRITTEN PERMISSION. THIS IS AN UNCLASSIFIED WORK EXEMPTED UNDER THE FEDERAL COPYRIGHT LAW. COPYRIGHT © 1986, DIGITAL EQUIPMENT CORPORATION

LAYER 4
VIEWED FROM SIDE 2



C
B
A

						TITLE		DOCUMENT NUMBER		
						TK70 DRIVE		SIZE CODE	NUMBER	REV
								<input type="checkbox"/> UA	5417637-0-0	F
								SCALE 2:1	SHEET 4 OF 5	
								1 W01408764A		

8 7 6 5 4 3 2 1

8

J

0-0-2E9c1b5

011

7

6

E

4

3

2

1

THIS DRAWING AND THE SPECIFICATIONS CONTAINED HEREIN ARE THE PROPERTY OF DIGITAL EQUIPMENT CORPORATION. THEY ARE TO BE KEPT IN CONFIDENTIALITY AND NOT BE REPRODUCED OR COPIED IN ANY MANNER WITHOUT THE WRITTEN PERMISSION OF DIGITAL EQUIPMENT CORPORATION. THIS IS AN UNCLASSIFIED WORK PRODUCT OF DIGITAL EQUIPMENT CORPORATION.

REWORK INSTRUCTIONS :

ECO #3 -

SIDE 1 (COMPONENT SIDE 1)

COMPONENT DELETES :

3-1 P/N 23-1M9-00 MICROCOMPUTER EPROM REF DES E3 QTY 1

COMPONENT ADDS :

3-2 P/N 23-2MA-00 MICROCOMPUTER ROM REF DES E3 NEW QTY 1

ECO #4

SIDE 1 (COMPONENT SIDE 1)

COMPONENT DELETES :

4-1 P/N 23-157K5-00 K5-07 PAL REF DES E20 QTY 1

4-2 P/N 23-156K5-00 K5-07 PAL REF DES E22 QTY 1

COMPONENT ADDS :

4-3 P/N 23-200K5-00 K5-14 PAL REF DES E20 QTY 1

4-4 P/N 23-199K5-00 K5-14 PAL REV DES E22 QTY 1

ECO #5

SIDE 1 (COMPONENT SIDE 1)

COMPONENT DELETES :

5-1 P/N 23-2MA-00 MICROCOMPUTER W/8 KBYTE EPROM REF DES E3 QTY 1

COMPONENT ADDS :

5-2 P/N 23-3MA-00 MICROCOMPUTER W/8 KBYTE EPROM REF DES E3 QTY 1

D

C

B

A

8

7

6

5

4

3

2

TITLE

TR70 DRIVE

SIZE CODE	DOCUMENT NUMBER	TRIPLE	REV
UA	5417637-0-0		F
SCALE 2/1	SHEETS OF 5		

1 WQ# 4080644

LINE	ITEM	TOP DOCUMENT	PART NUMBER	MIN REV	DESCRIPTION	QTY PER VAR/REV	REFERENCE DESIGNATORS
1	1	B-DD-5017636-0	50-17636-01		CIRCUIT DRILL & ETCH	1	
2	2		10-00064-00		3.9 MFD 10V +/-10% SOL	1	C39
3	3		10-01610-00		0.010MFD 50V +80/-20% Z5U C	3	C15,C19,C25
4	4		10-01776-00		1.0 MFD 35V +/-10% SOL	1	C5
5	5		10-12084-01		8.0 MFD 25V +75/-10% 85	2	C26,C27
6	6		10-12784-00		0.047MFD 50V +80/-20% Z5U C	2	C38,C43
7	7		10-13466-01		10 PFD 50V +/- 5% NPO C	2	C40,C52
8	8		10-13466-06		100 PFD 50V +/- 5% NPO C	2	C63,C64
9	9		10-13466-07		220 PFD 50V +/- 5% NPO C	3	C9,C33,C49
10	10		10-13466-09		1000 PFD 50V +/-10% X7R C	1	C20
11	11		10-13466-22		0.10 MFD 50V +80/-20% Z5U C	31	C1-C4,C8,C10,C12-C14,C16-C18, CONT C21-C23,C29-C32,C34,C37, CONT C45-C47,C53,C54,C56,C59-C62
12	12		10-13466-24		47 PFD 50V +/- 5% NPO C	1	C44
13	13		10-13466-26		120 PFD 50V +/- 5% NPO C	2	C41,C42
14	14		10-13466-40		270 PFD 50V +/- 5% NPO C	1	C55
15	15		10-13466-57		0.033MFD 50V +/-10% X7R C	1	C35
16	16		10-14265-02		0.33 MFD 50V +80/-20% Z5U C	3	C7,C28,C48
17	17		10-15573-01		5600 PFD 50V +/- 5% X7R C	2	C6,C11
18	18		10-18200-02		120 PFD 50V +/- 1% NPO C	1	C50
19	19		10-18200-03		220 PFD 50V +/- 5% NPO C	1	C51
20	20		10-26297-01		3300 PFD 50V +/- 5% X7R C	2	C24,C36
21	21		11-03441-00		VZ= 8.2 5% 400 MW 1N756A	1	D3
22	22				*** THIS ITEM IS NOT USED ***	-	
23	23		11-09991-00		VZ= 6.8 5% 400 MW 1N754A	1	D8
24	24		11-11577-00		PIV= 50 IO=200 MA - 4NS 1N4454	12	D2,D5,D6,D11,D14-D17,D19-D22
25	25		11-14117-00		PIV= 40 IO= 75 A -4NS 1N4152	3	D9,D10,D13
26	26		11-17166-00		PIV= 20 IO= 1.00A D0-35	2	D1,D24
27	27		11-22804-01		VZ= 4.7 1% 1N5522D	1	D7
28	28	SEE NOTE # 28	12-10385-01		PCB HEADER PIN	63	J601-J606,J608,J609,J611,J613.

REVISION HISTORY			KPL MODULE FORMAT SECTION A OF A		DRN: R. KOPPENAL	DIGITAL					
ENG	ECO NUMBER	REV	SECTION/VARIATION INDEX		DATE: 24-FEB-87						
---	INITIAL	A	[A]	01	[M]	CHK'D: R. KOPPENAL	TITLE PARTS LIST				
A.H	5417637-SH001	B	[B]		[N]	DATE: 24-FEB-87	TK70 DRIVE				
A.H	5417637-SH002	C	[C]		[P]	DES.ENG: DAVE BEAUREGARD					
A.H	5417637-SH003	D	[D]		[Q]	DATE: 24-FEB-87	DOCUMENT NUMBER				
A.H	5417637-SH004	E	[E]		[R]	RESP.ENG.: DAVE BEAUREGARD	SIZE	CODE	NUMBER	REV	
P.S	5417637-SH005	F	[F]		[S]	DATE: 24-FEB-87	K	PL	5417637-0-DBP	F	
			[H]		[T]	MFG.ENG: G. KIAH	RELEASE DATE: 07-DEC-89				
			[J]		[V]	DATE: 24-FEB-87	RELEASE STATUS: RELEASED				
			[K]		[W]						
			[L]		[Y]						
BASIC PART NUMBER:			ASSEMBLY NUMBER:		TOP DOCUMENT NUMBER:			EDIT #			
5417637			D-UA-5417637-0-0		B-DD-5417637-0			3			
FILE NAME: SH291F.PLS											

"THIS DRAWING AND THE SPECIFICATIONS CONTAINED HEREIN ARE CONFIDENTIAL AND PROPRIETARY. THEY ARE THE PROPERTY OF DIGITAL EQUIPMENT CORPORATION AND SHALL NOT BE REPRODUCED OR COPIED OR USED IN WHOLE OR IN PART AS THE BASIS FOR THE MANUFACTURE OR SALE OF ITEMS WITHOUT WRITTEN PERMISSION. THIS IS AN UNPUBLISHED WORK PROTECTED UNDER THE FEDERAL COPYRIGHT LAWS."

LINE	ITEM	TOP DOCUMENT	PART NUMBER	MIN REV	DESCRIPTION	01 B05	REFERENCE DESIGNATORS
							CONT J802-J806, J808, J901-J904, J906, CONT J908-J910, J1001-J1006, J1008, CONT J1009, J3001, J3002, J3302-J3307, CONT J5001, J5002, TP2-TP8, TP10-TP16, CONT TP18-TP24
29	29		12-15006-04		SKT, IC 20PIN DIP TIN SOLD	3	XF15, XE20, XE22
30	30		12-15006-08		SKT, IC 40PIN DIP TIN SOLD	1	XE3
31	31		12-15006-13		SKT, IC 24PIN DIP TIN SOLD	1	XE10
32	32		12-16832-01		PCB, HEADER 26POS (2X13) .100CC 90D	1	J1
33	33		12-18783-00		JUMPER 02POS (1X02) .100CC	8	W2-W8, W30
34	34		12-18855-00		PCB, HEADER 04POS (1X04) .200CC 90D	1	J7
35	35		13-00219-00	68.0	.25 W 5.0 % CF	1	R76
36	36		13-00247-00	120.0	.25 W 5.0 % CF	1	R3
37	37		13-00250-00	150.0	.25 W 5.0 % CF	2	R10, R16
38	38		13-00365-00	1.0 K	.25 W 5.0 % CF	4	R13, R17, R64, R65
39	39		13-00391-00	1.50 K	.25 W 5.0 % CF	2	R84, R110
40	40		13-00439-00	3.30 K	.25 W 5.0 % CF	5	R62, R63, R98, R103, R108
41	41		13-00479-00	10.0 K	.25 W 5.0 % CF	5	R18, R21, R36, R37, R69
42	42		13-00488-00	12.0 K	.25 W 5.0 % CF	1	R11
43	43		13-00496-00	15.0 K	.25 W 5.0 % CF	1	R19
44	44		13-01322-00	180.0	.25 W 5.0 % CF	2	R83, R102
45	45		13-01401-00	750.0	.25 W 5.0 % CF	2	R6, R14
46	46		13-01808-00	22.0 K	.25 W 5.0 % CF	2	R77, R78
47	47		13-01890-00	560.0	.25 W 5.0 % CF	3	R75, R100, R101
48	48		13-02388-00	2.0 K	.25 W 5.0 % CF	5	R12, R20, R25, R50, R96
49	49		13-02391-00	20.0 K	.25 W 5.0 % CF	2	R46, R51
50	50		13-02396-00	150.0 K	.25 W 5.0 % CF	1	R24
51	51		13-02411-00	511.0	.25 W 1.0 % RN55D-F10	1	R56
52	52		13-02466-00	100.0 K	.25 W 5.0 % CF	1	R90
53	53		13-02887-00	130.0	.25 W 1.0 % RN55D-F10	1	R39
54	54		13-02931-00	49.90	.25 W 1.0 % RN55D-F10	1	R5
55	55		13-02955-00	750.0	.25 W 1.0 % RN55D-F10	3	R48, R73, R105
56	56		13-02956-00	196.0	.25 W 1.0 % RN55D-F10	1	R70
57	57		13-03114-00	1.0 K	.25 W 1.0 % RN55D-F10	3	R42, R79, R80
58	58		13-03176-00	1.60 K	.25 W 5.0 % CF	1	R93
59	59		13-03178-00	620.0	.25 W 5.0 % CF	2	R9, R81
60	60		13-03312-00	10.0 K	.25 W 1.0 % RN55D-F10	1	R8
61	61		13-04839-00	51.0 K	.25 W 5.0 % CF	1	R7
62	62		13-04866-00	2.0 K	.25 W 1.0 % RN55D-F10	4	R57, R94, R95, R104
63	63		13-05253-00	7.15 K	.25 W 1.0 % RN55D-F10	2	R54, R58
64	64		13-05336-00	200.0 K	.25 W 1.0 % RN55D-F10	2	R106, R107
65	65		13-05426-00	392.0 K	.25 W 1.0 % RN55D-F10	1	R45
66	66		13-09595-00	1.0 M	.25 W 5.0 % CF	2	R26, R91
67	67		13-10631-00	2.21 K	.25 W 1.0 % RN55D-F10	1	R34
68	68		13-10634-00	2.67 K	.25 W 1.0 % RN55D-F10	2	R52, R53
69	69		13-10635-00	13.0 K	.25 W 1.0 % RN55D-F10	1	R33
70	70		13-11867-00	.50	3.0 W 1.0 % WW	2	R1, R2
71	71		13-12545-00	2.32 K	.25 W 1.0 % RN55D-F10	5	R4, R97, R99, R109, R111
72	72		13-12546-00	16.50 K	.25 W 1.0 % RN55D-F10	1	R41
73	73		13-12930-00	5.10 K	.25 W 5.0 % CF	2	R60, R67

D	I	G	I	T	A	L	TITLE	SECTION A OF A	SIZE	CODE	DOCUMENT NUMBER	REV
							TK70 DRIVE		K	PL	5417637-0-DBP	F

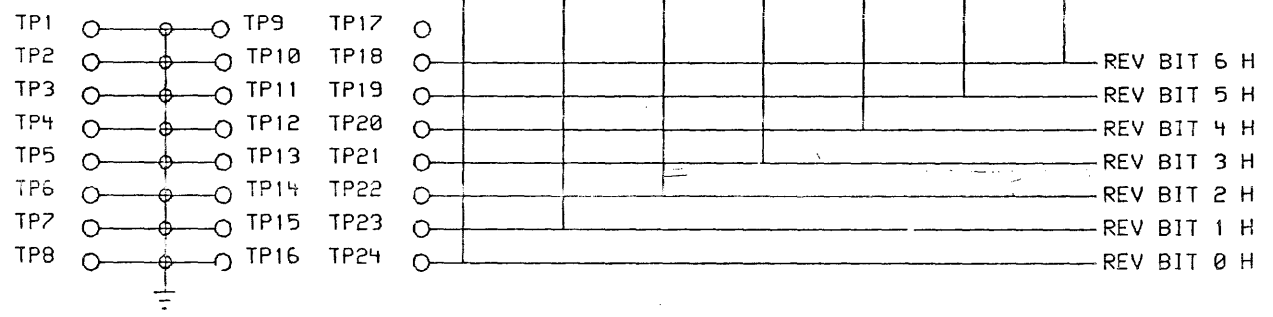
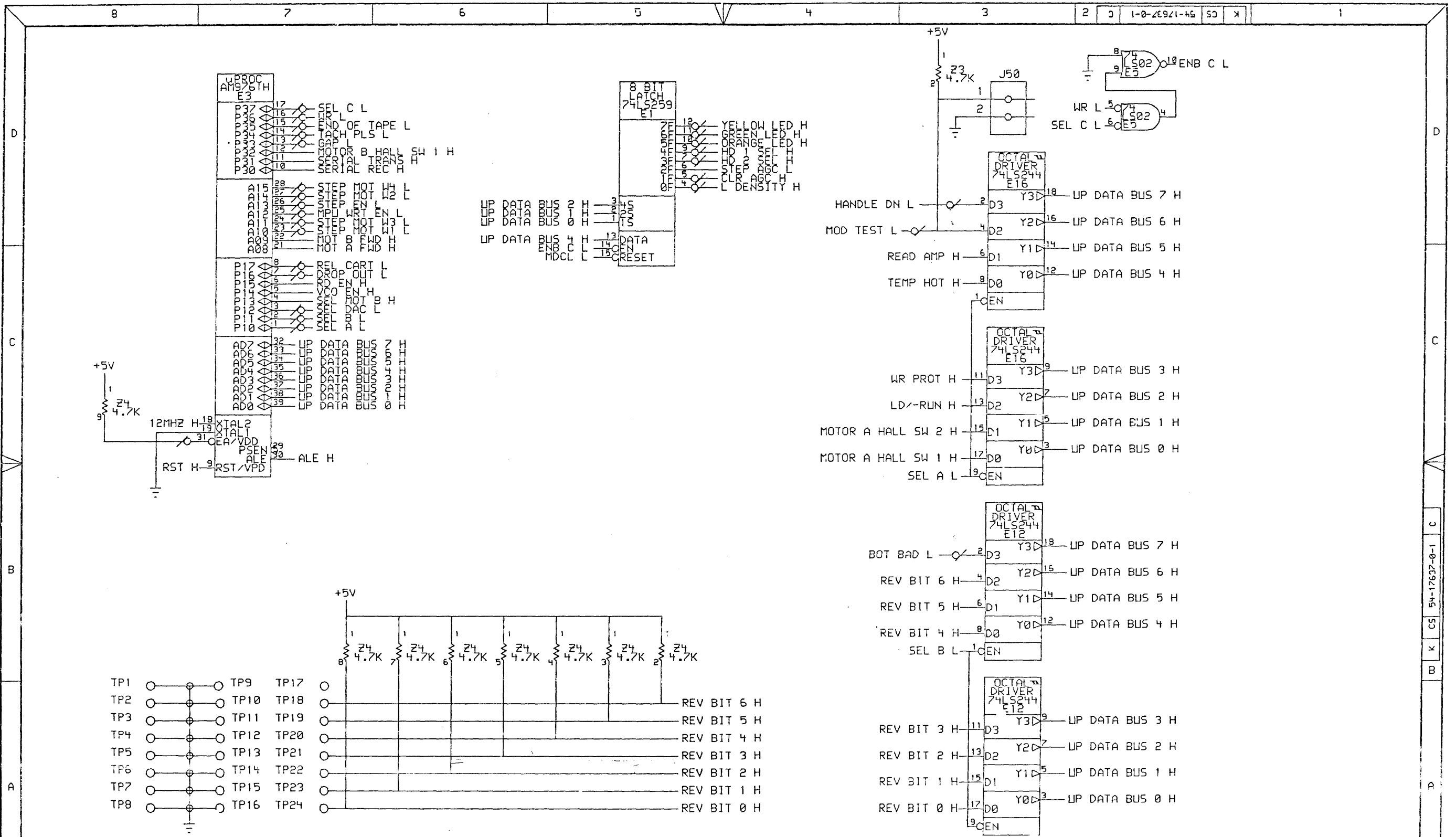
LINE	ITEM	TOP DOCUMENT	PART NUMBER	MIN REV	DESCRIPTION	QTY	REFERENCE DESIGNATORS
74	74		13-13154-00	124.0 K	.25 W 1.0 % RN55D-F10	1	R31
75	75		13-13155-00	604.0	.25 W 1.0 % RN55D-F10	1	R15
76	76		13-13590-00	1.50 K	.25 W 1.0 % RN55D-F10	1	R68
77	77		13-13596-00	20.0 K	.25 W 1.0 % RN55D-F10	2	R38,R40
78	78		13-14251-00	61.90 K	.25 W 1.0 % RN55D-F10	2	R29,R44
79	79		13-14387-00	3.90 M	.25 W 5.0 % CF	1	R32
80	80		13-14516-00	200.0 K	.25 W 5.0 % CF	2	R61,R92
81	81		13-15271-00	154.0	.25 W 1.0 % RN55D-F10	1	R22
82	82		13-16395-00	R. NET	4.7K- 9 2.0	2	Z3,Z4
83	83		13-16836-00	402.0	.25 W 1.0 % RN55D-F10	2	R23,R85
84	84		13-16842-00	6.34 K	.25 W 1.0 % RN55D-F10	2	R88,R89
85	85		13-17522-00	1.0	.25 W 5.0 % CF	1	R66
86	86		13-18150-10	4.02 K	.25 W 1.0 % RN55D-F10	1	R74
87	87		13-19531-01	221.0	.25 W 1.0 % RN55D-F10	2	R72,R82
88	88		13-20414-01	2.0 M	.25 W 5.0 % CF	1	R30
89	89		13-20415-03	249.0 K	.25 W 1.0 % RN55D-F10	1	R28
90	90		13-20415-04	499.0 K	.25 W 1.0 % RN55D-F10	1	R27
91	91		13-22716-01	R. NET	120.0 - 7 2.0	2	Z2,Z5
92	92		13-23770-01	R. NET	220.0 - 8 270.0 - 8 2.0	1	Z1
93	93		15-13490-00	2N 4403	PNP 350MW SI-40 30	3	Q1-Q3
94	94		15-14962-00	TPQ2907	PNP 500MW SI 40 100	1	E30
95	95		15-16287-02	ULN2003-A	NPN DARLINGTON ARRAY	1	E33
96	96		15-17364-01	3083	NPN ARRAY,16PIN DIP	2	E8,E24
97	97		15-17998-00	3127	NPN 425MW ARRAY 16PIN	1	E28
98	98		15-24009-01	IFRD9123	FET 60V .8A P-CHNNL 4	1	E29
99	99		16-11317-00	470	UH 5% 120MA Z(MIN)=65	2	L5,L6
100	100		16-12946-07	220	UH 10% Q MIN=26@.79MHZ	4	L1-L4
101	101		18-11660-21		OSCILLATOR, XTAL 24.000 MHZ	1	Y1
102	102		19-10236-00	DEC 7426	NAND GATE-QUAD 2IN,0	1	E25
103	103		19-10532-00	74S00	NAND GATE-QUAD 2IN	1	E9
104	104		19-10544-00	74S74	FF-D DUAL,EDGE TRIGG	1	E13
105	105		19-11911-00	DEC 74S124	OSCILLATOR,DUAL VOLT	1	E27
106	106		19-12107-01	324ANOP	AMP,QUAD	1	E6
107	107		19-12108-00	LM339	VOLT CMPRTR,QUAD	1	E19
108	108		19-12801-00	LS02	NOR-GATE-QUAD 2IN	1	E5
109	109		19-12850-00	LS164	SHIFT REG. 8BIT SERI	1	E4
110	110		19-12860-00	LS259	LATCH 8BIT	1	E1
111	111		19-14082-00	74S163	COUNTER,SYNCH UP/DOW	1	E26
112	112		19-14560-00	LS368	DRIVER,BUS,HEX,TRI-S	2	E11,E17
113	113		19-15123-00	26LS32	RECEIVER,QUAD,EIA RS	1	E14
114	114		19-15193-00	LS244	DRIVER,LINE,OCTAL,TR	2	E12,E16
115	115		19-15851-00	26LS31	DRIVER,QUAD,EIA RS 4	1	E7
116	116		19-18177-00	78L05AC	VOLT REG,FIX +5V	1	E34
117	117		19-18277-00	3470	READ AMP,FLOPPY DISK	1	E31
118	118		19-19006-00	LM 336A	VOLT REF. 2.49V 1%	1	D12
119	119		19-19684-01	LM 385B2	PREC VOLT REF. 1.23	1	D4
120	120		19-21283-01	3799	PNP 900MW 60V 50MA	1	E32
121	121		19-22108-01	7528	DAC, 8BIT,MULTI	1	E2
122	122		21-13614-00	4024B	COUNTER-BINARY 7STAG	1	E18
123	123		21-26235-01	DG302A	SWITCH,CMOS ANALOG,T	1	E23

D	I	G	I	T	A	L	TITLE	SECTION A	OF A	SIZE	CODE	DOCUMENT NUMBER	REV
							TK70 DRIVE			K	PL	5417637-0-DBP	F

LINE	ITEM	TOP DOCUMENT	PART NUMBER	MIN REV	DESCRIPTION	QTY	REFERENCE DESIGNATORS
124	124		23-K8	-02	*** THIS ITEM IS NOT USED ***	-	
125	125		23-156K5-00		*** THIS ITEM IS NOT USED ***	-	
126	126		23-157K5-00		*** THIS ITEM IS NOT USED ***	-	
127	127		23-172K5-00		K5-07 PAL	1	E15
128	128		23-M9	-01	*** THIS ITEM IS NOT USED ***	-	
129	129		11-16824-03		10PF VARIABLE CAP DIODE 5%	1	D23
130	130		13-05123-00		215.0 .25 W 1.0 % RN55D-F10	1	R47
131	131		13-10632-00		2.37 K .25 W 1.0 % RN55D-F10	2	R71,R86
132	132		13-12626-00		2.49 K .25 W 1.0 % RN55D-F10	1	R43
133	133		13-05126-00		619.0 .25 W 1.0 % RN55D-F10	1	R49
134	134		13-14041-00		3.01 K .25 W 1.0 % RN55D-F10	1	R59
135	135		13-02751-00		30.0 .25 W 5.0 % CF	1	R87
136	136		13-00197-00		33.0 .25 W 5.0 % CF	1	R112
137	137		23-1M9	-00	*** THIS ITEM IS NOT USED ***	-	
138	138		23-71K8	-00	K8-02 PAL,HIGH SPEE	1	E10
139	139		11-14507-00		VZ= 24.0 5% 1 W 1N4749A	1	D18
140	140		23-2MA	-00	*** THIS ITEM IS NOT USED ***	-	
141	141		23-199K5-00		K5-14 PAL	1	E22
142	142		23-200K5-00		K5-14 PAL	1	E20
143	143		23-3MA	-00	MA-01 ROM MICR	1	E3

28 NOTE: QTY IS 85. ALSO USED ON J103-01,J103-03,J100-01 THRU J100-09,J100-11 THRU J100-19,J100-21,J100-22.

D	I	G	I	T	A	L	TITLE	SECTION A OF A	SIZE	CODE	DOCUMENT NUMBER	REV
							TK70 DRIVE		K	PL	5417637-0-DBP	F

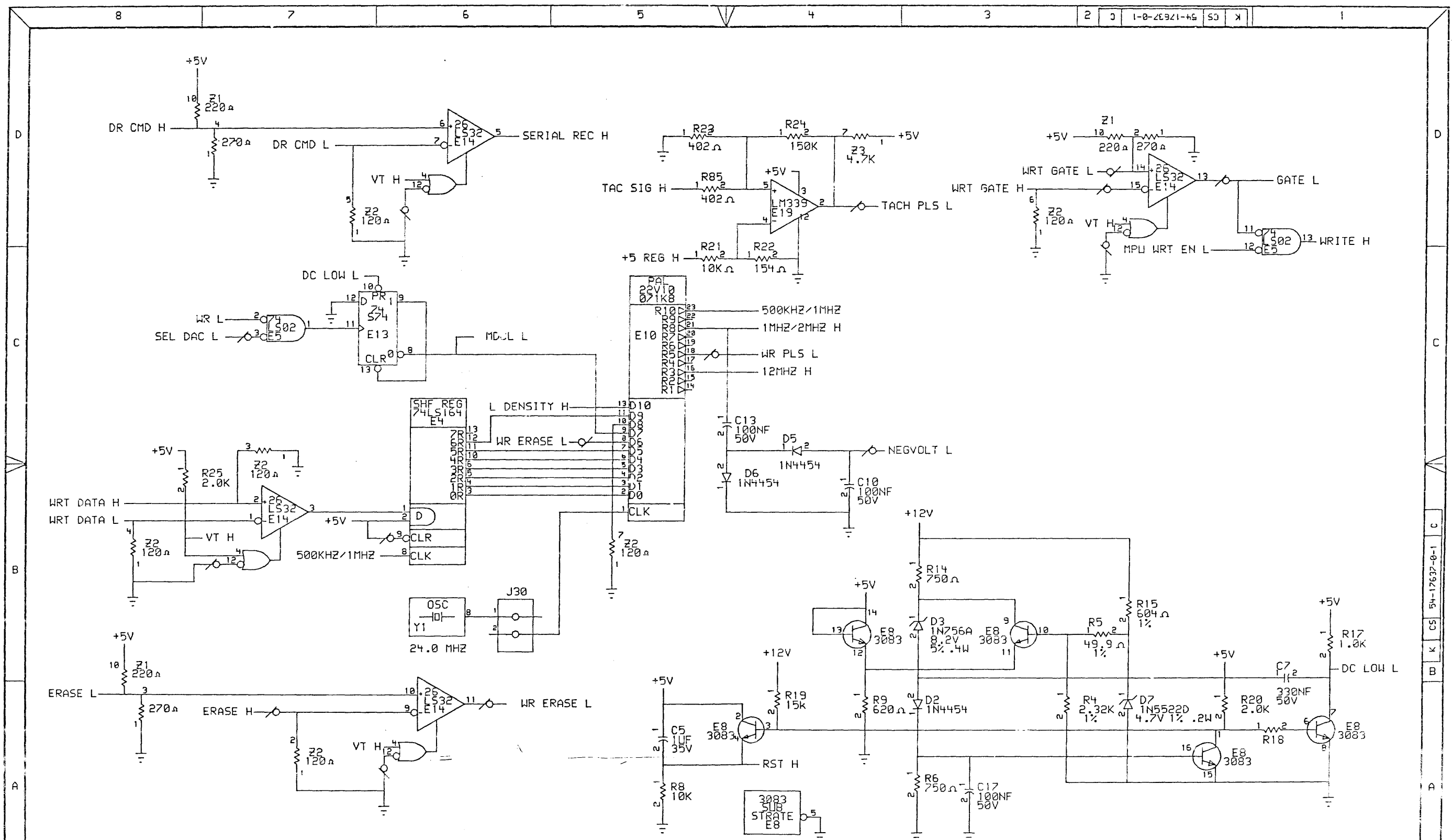


REVISION	
CHK	CHANGE NO. REV
RK	SH001 B
RK	SH004 C

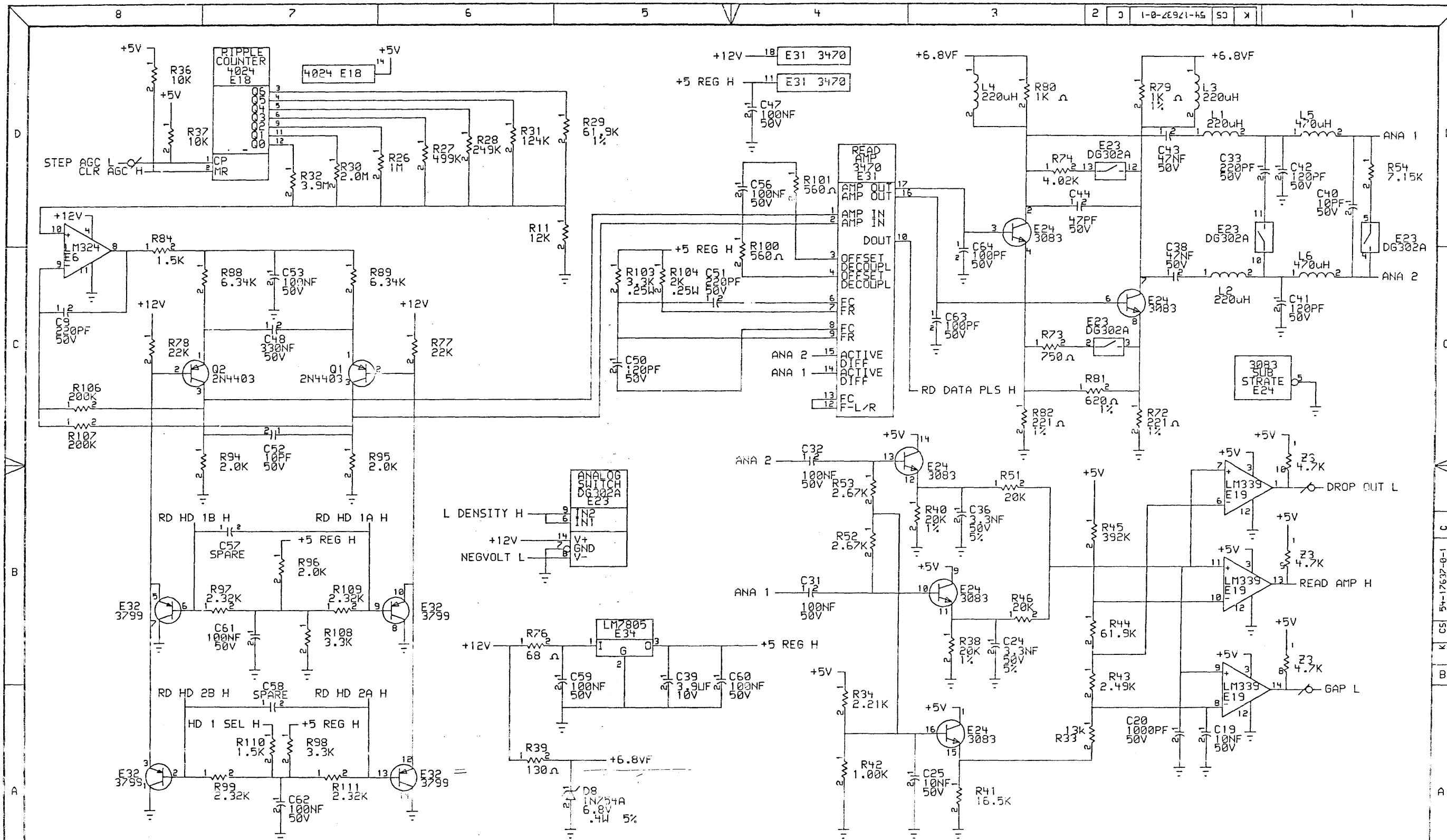
TK70 DRIVE MODULE

	DESIGN: S.Alessi	DATE: 29-APR-87	ENGR: D. Beauregard	DATE: 29-APR-87	TITLE: TK70
	CHK'D: S.Alessi	DATE: 29-APR-87	BOF'D LOCATION: SHEET	OF 7	
USRA: FIRST USED ON OPTION/MODEL:	TOP DOCUMENT NUMBER: B-DD-5417637-0			SIZE: K CODE: CS	NUMBER: 54-17637-0-1 REV: C

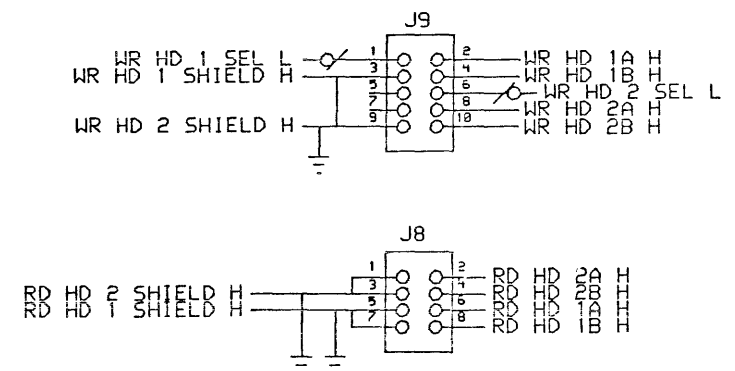
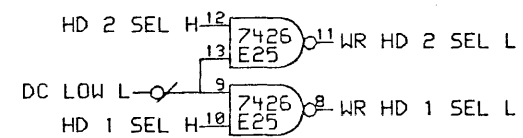
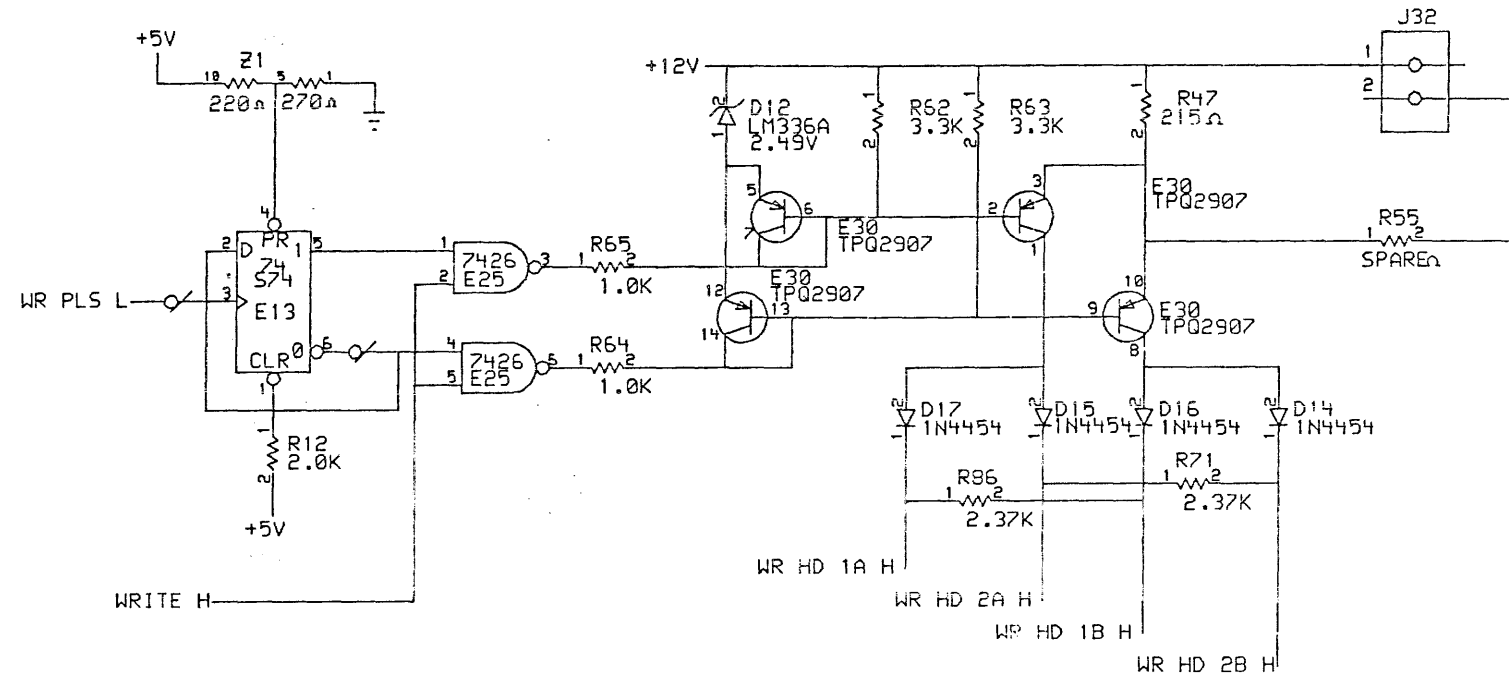
C 54-17637-0-1 CS K B



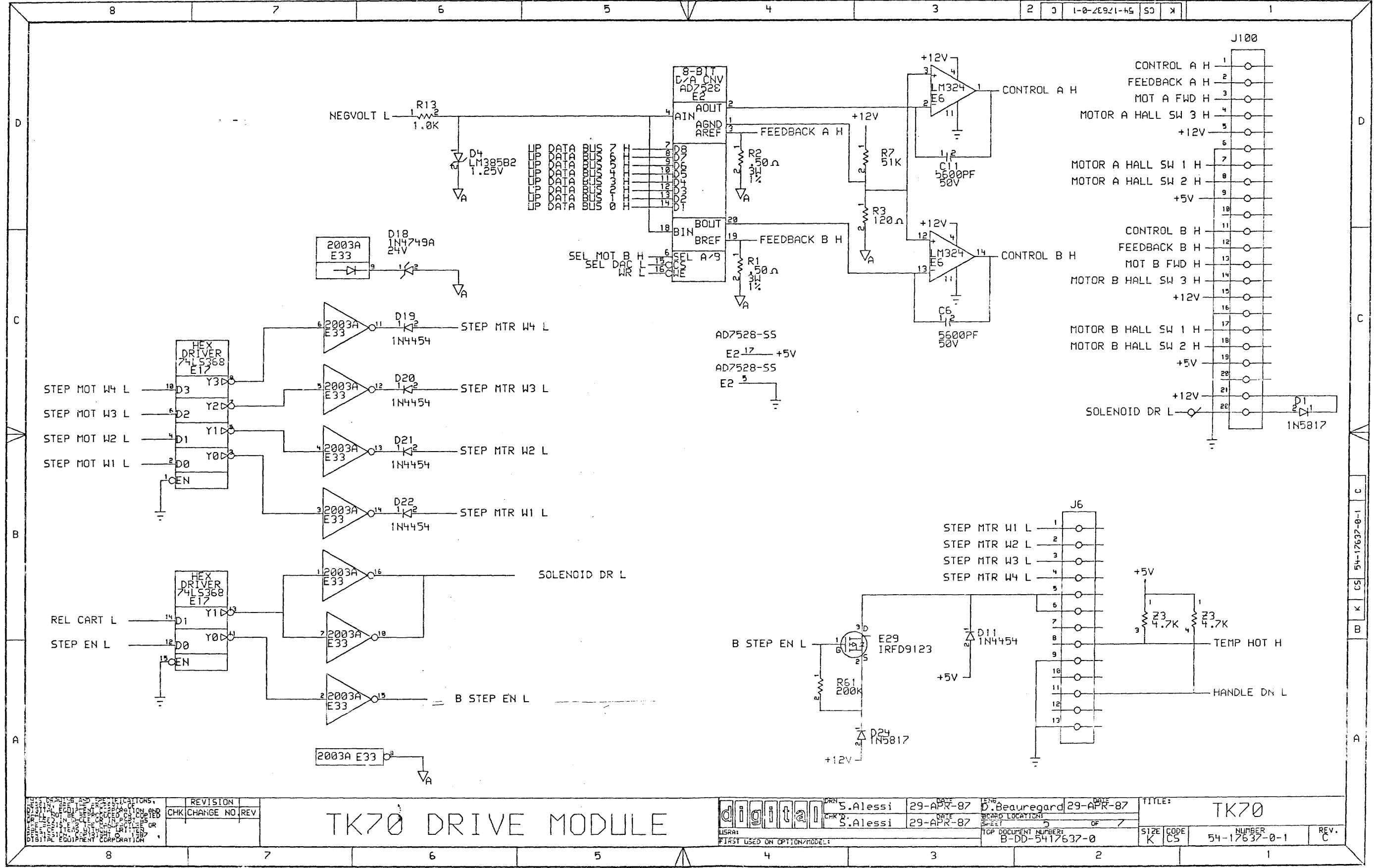
TITLE: TK70 DRIVE MODULE SHEET: 1 OF 1		DATE: 29-APR-87 DRAWN BY: S. Alessi		DATE: 29-APR-87 DESIGNED BY: D. Beauregard		TITLE: TK70 NUMBER: 54-17637-0-1 REV: C	
REVISION: 1 CHANGE NO: 1 REV: 1		SIZE: K CODE: C5		FIRST USED ON OPTION MODEL:		TCP DOCUMENT NUMBER: B-DD-5417637-0	



REVISION CHK CHANGE NO. REV		<h1>TK70 DRIVE MODULE</h1>		digital S. Alessi 29-APR-87 S. Alessi 29-APR-87		D. Beaugnard 29-APR-87 DATE: 29-APR-87 SHEET: 3 OF 7		TITLE: TK70	
FIRST USED ON OPTION/MODEL:				TCP DOCUMENT NUMBER: B-DD-5417637-0		SIZE CODE: K CS		NUMBER: 54-17637-0-1 REV. C	



C 54-17637-0-1 K B A



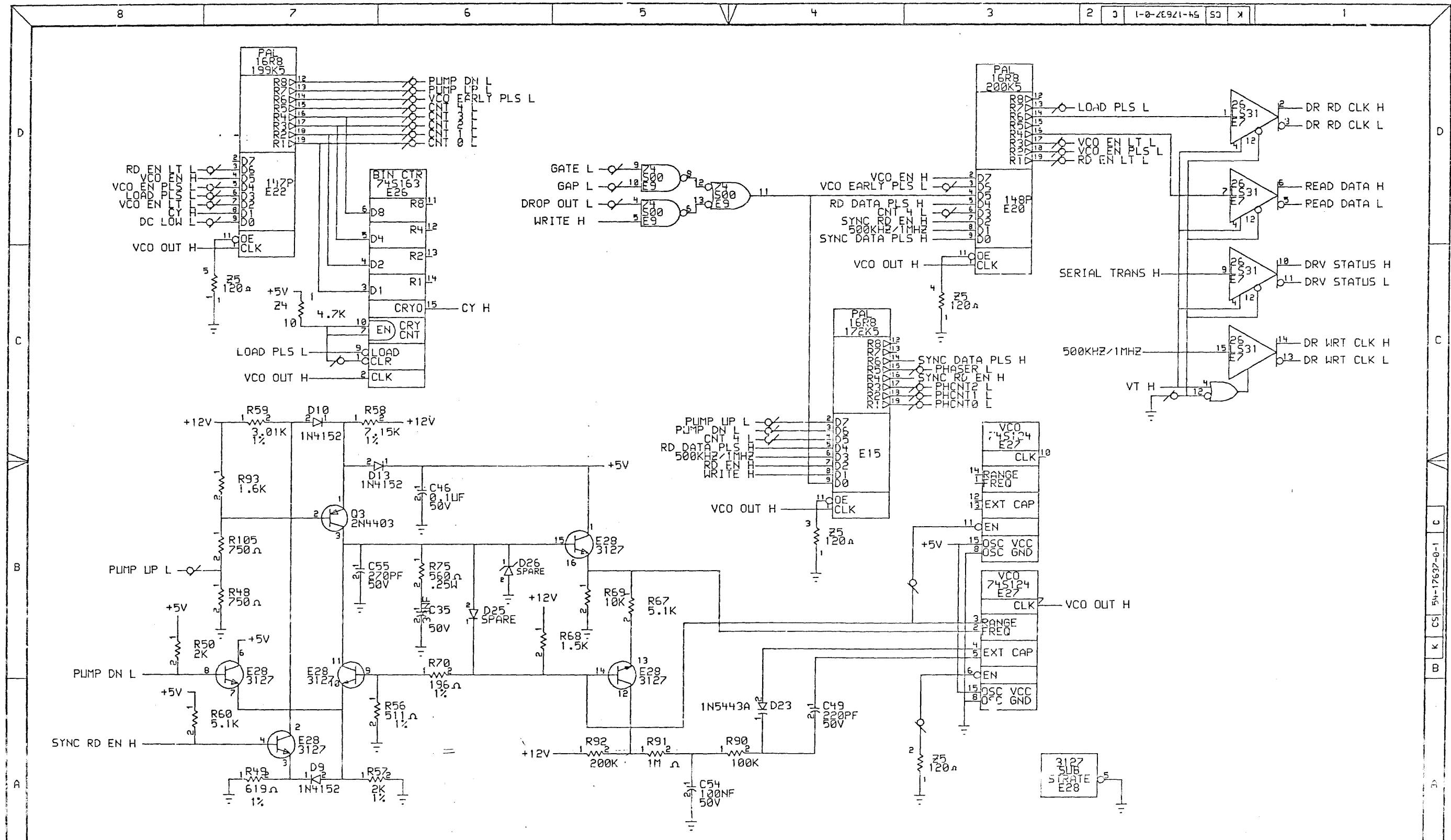
REVISION	NO	REV
CHK	CHANGE	

TK70 DRIVE MODULE

DESIGNED BY	S. Alessi	DATE	29-APR-87	DESIGNED BY	D. Beauregard	DATE	29-APR-87
CHECKED BY	S. Alessi	DATE	29-APR-87	CHECKED BY		DATE	
FIRST USED ON OPTION/MODEL:				TOP DOCUMENT NUMBER:			
				B-DD-5417637-0			

TITLE:	TK70		
SIZE	CODE	NUMBER	REV.
K	CS	54-17637-0-1	C

CS 54-17637-0-1 C



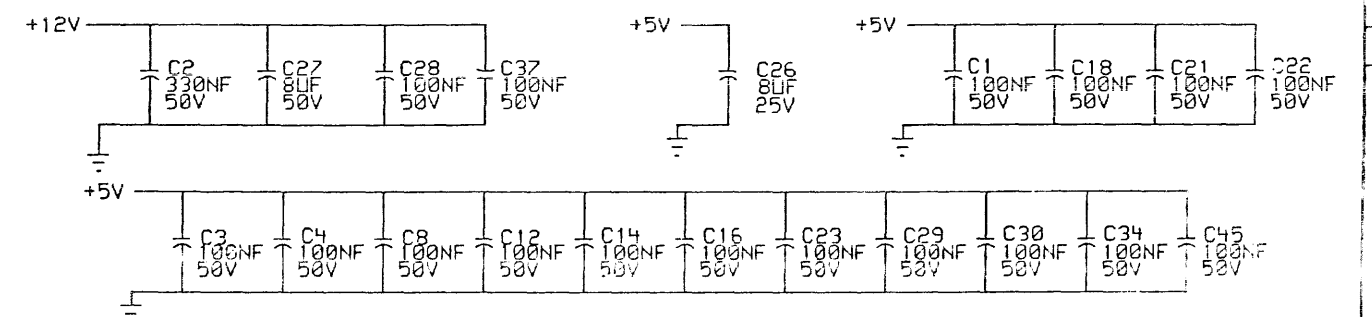
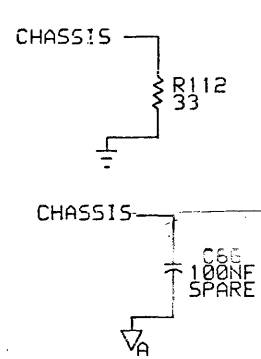
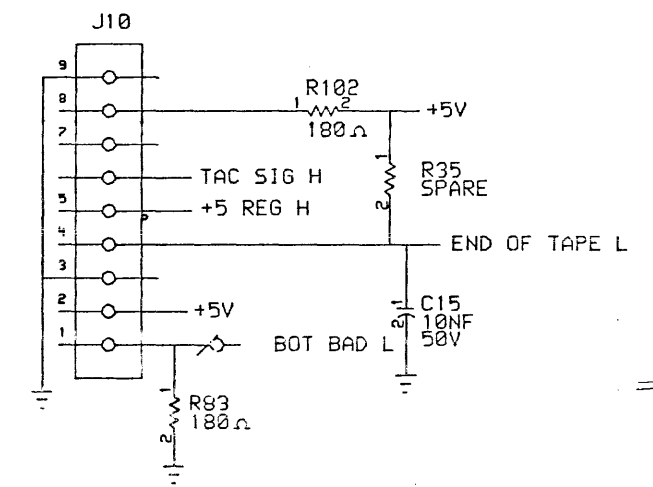
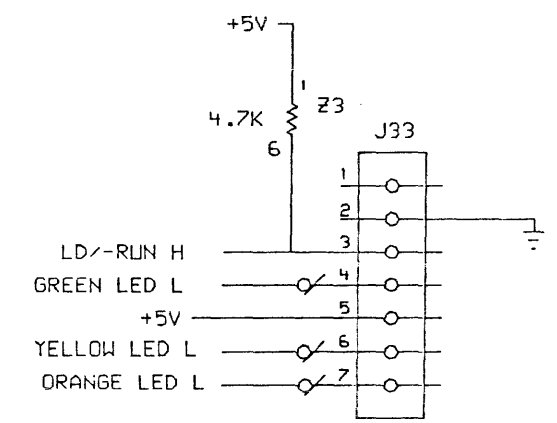
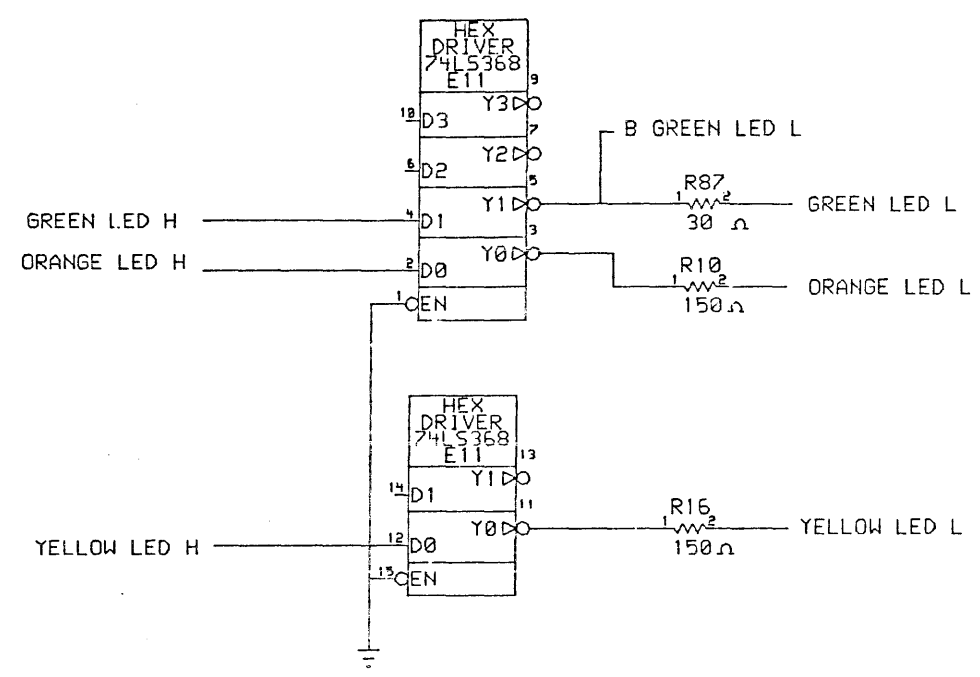
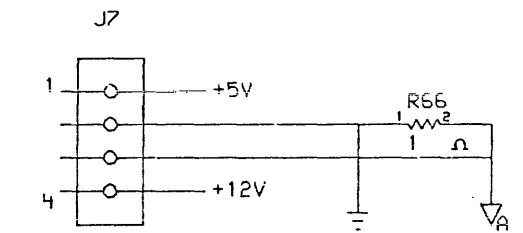
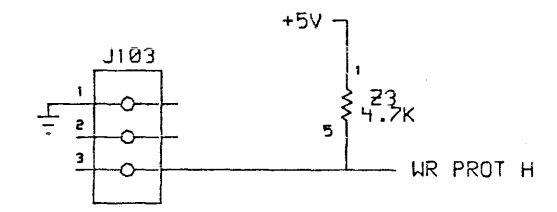
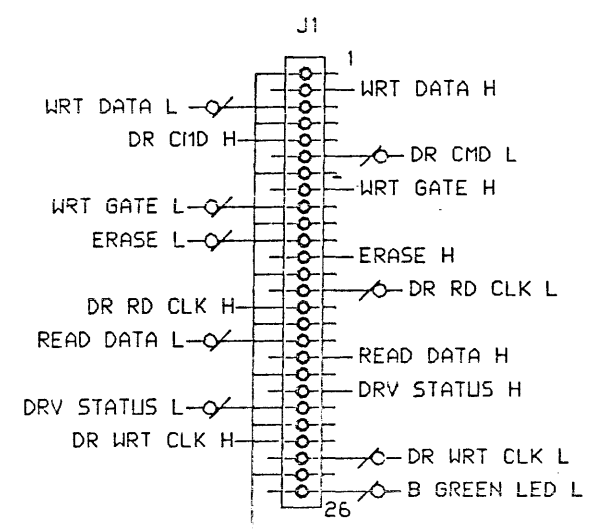
THIS DRAWING AND SPECIFICATIONS, INCLUDING ALL DIMENSIONS, TOLERANCES, MATERIALS, FINISHES, AND WEIGHTS, SHALL BE THE PROPERTY OF DIGITAL EQUIPMENT CORPORATION. NO PART OF THIS DRAWING OR SPECIFICATIONS IS TO BE REPRODUCED OR TRANSMITTED IN ANY FORM OR BY ANY MEANS, ELECTRONIC OR MECHANICAL, INCLUDING PHOTOCOPYING, RECORDING, OR BY ANY INFORMATION STORAGE AND RETRIEVAL SYSTEM, WITHOUT THE WRITTEN PERMISSION OF DIGITAL EQUIPMENT CORPORATION.

REVISION	CHK	CHANGE	NO	REV

TK70 DRIVE MODULE

	DRN. S.Alessi 29-APR-87 CHK'D S.Alessi 29-APR-87	DES. D.Beauregard 29-APR-87 DES. LOCATION: 6 OF 7	TITLE: TK70
FIRST USED ON OPTION/MODEL:	TOP DOCUMENT NUMBER: B-DD-5417637-0	SIZE: K CS	NUMBER: 54-17637-0-1 REV.: C

CS 54-17637-0-1
 K
 B
 C



DRAWING NO.	NO. OF SHTS.	PART NO.	DESCRIPTION	REVISIONS																			
				A1	A2	A3																	
		5418272-01	PC BD. SWITCH/LED																				
D-UA-5418272-0-0	1		PC BD. SWITCH/LED	A	B	INA																	
K-PL-5418272-0-DBP	1		PARTS LIST (SH454A,PLS)	A	B	C																	
K-CS-5418272-0-DBX	-		CIRCUIT SCHEMATIC DATA BASE	A	A	A																	
K-CS-5418272-0-1	1		CIRCUIT SCHEMATIC	A	A	A																	
K-PC-5418272-0-DBV	-		P. C. DESIGN DATA BASE	A	B	C																	
		5018271-01	ETCH CIRCUIT BOARD	A1	A1	B1																	
K-DD-5018271-0	1		DRAWING DIRECTORY	A	A	INA																	
K-UA-5418272-0-0	2		PC BD. SWITCH/LED	-	-	C																	
K-DD-5018271-0-DBV	1		DRAWING DIRECTORY	-	-	B																	

NOTES:

DATE	ECO NO	REV	REVISION HISTORY		
			A	B	C
			INIT	SH001	SH002
				06/88	12/88

THIS DRAWING AND THE SPECIFICATIONS CONTAINED HEREIN ARE CONFIDENTIAL AND PROPRIETARY. THEY ARE THE PROPERTY OF DIGITAL EQUIPMENT CORPORATION AND SHALL NOT BE REPRODUCED OR COPIED OR USED IN WHOLE OR IN PART AS THE BASIS FOR THE MANUFACTURE OR SALE OF ITEMS WITHOUT WRITTEN PERMISSION. THIS IS AN UNPUBLISHED WORK PROTECTED UNDER THE FEDERAL COPYRIGHT LAWS.

1987



DRN.	L. BARRETT	DATE	10JUN87
CHKD.	R. KOPPENAL	DATE	10JUN87
DES. ENG.	D. BEAUREGARD	DATE	10JUN87
RESP. ENG.	A.M. HICKEY	DATE	10JUN87
MFG. ENG.	FRED BELLEVEAU	DATE	10JUN87

TITLE : PC BD. SWITCH/LED			
DOCUMENTATION NUMBER			
SIZE	CODE	NUMBER	REV.
K	DD	5418272-0-DBV	C
SHEET 1		OF 1	

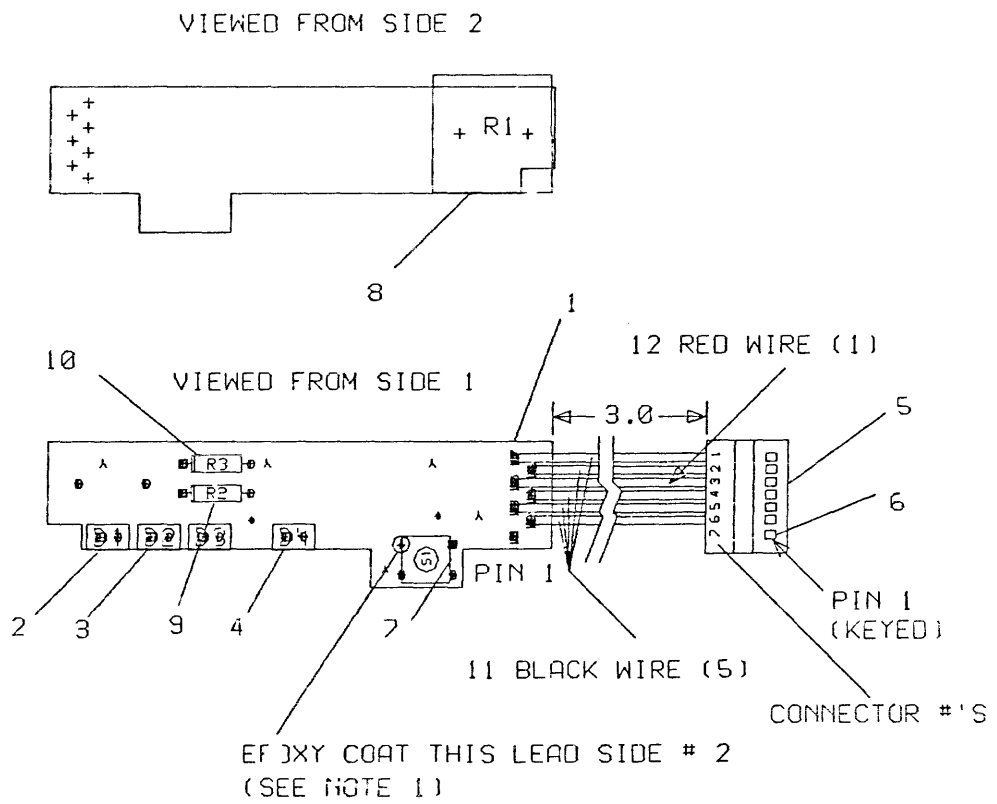
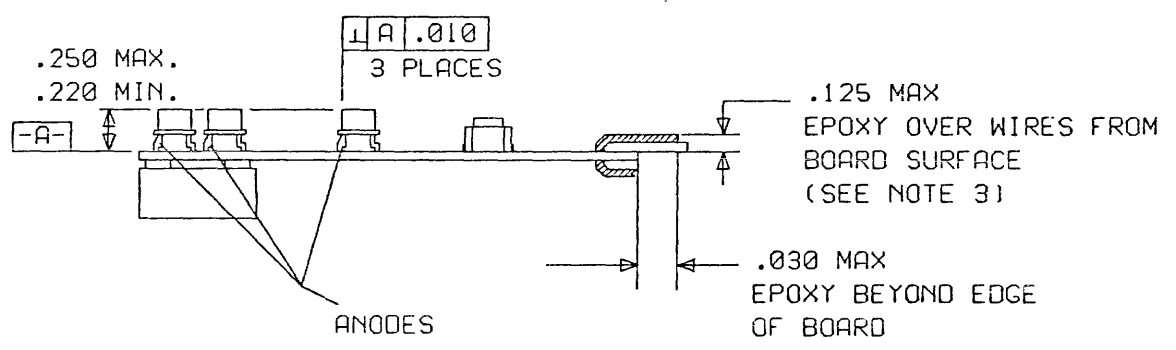
THIS DRAWING AND THE SPECIFICATIONS CONTAINED HEREIN ARE THE PROPERTY OF THE UNITED STATES GOVERNMENT AND ARE NOT TO BE REPRODUCED OR TRANSMITTED IN ANY FORM OR BY ANY MEANS, ELECTRONIC OR MECHANICAL, INCLUDING PHOTOCOPYING, RECORDING, OR BY ANY INFORMATION STORAGE AND RETRIEVAL SYSTEM, WITHOUT PERMISSION IN WRITING FROM THE ASSISTANT SECRETARY FOR ACQUISITION (ASST SECY (A)), DEFENSE ACQUISITION ADMINISTRATION, WASHINGTON, D.C. 20301-6000.

CONVERSION CHARTS

PIN ASSIGNMENT PER SCHEMATICS 54-17637-0-1	
1	KEY
2	GROUND
3	LD/RUN H
4	GREEN LED L
5	+5V
6	AMBER LED L
7	ORANGE LED L

CONNECTOR ASSIGNMENT PER UA 54-18272-0-0	
7	KEY (NO WIRE)
6	GROUND (BLACK WIRE)
5	LD/RUN/H (BLACK WIRE)
4	GREEN LED L (BLACK WIRE)
3	+5V (RED WIRE)
2	AMBER LED L (BLACK WIRE)
1	ORANGE LED L (BLACK WIRE)

- NOTES:
1. COAT ONE LEAD ON S1, AS SHOWN, WITH EPOXY. EPOXY TO BE USED - P/N 49-01755-01
 2. CONNECTOR WIRES TO BE FROM SIDE 1
 3. EPOXY COAT WIRES, AS SHOWN, TO CIRCUIT BOARD FOR RESTRAINING PURPOSES. EPOXY TO BE USED - P/N 49-01755-01



CHK	DRAWN BY	ENGINEER	CHANGE NO	DATE	REV
RK	L. BARRETT	P. BARTON	SH001	6/88	B
RK	S. EVANS	J. FLENG	SH002	9/88	C

CHK	DRAWN BY	ENGINEER	CHANGE NO	DATE	REV

NOTES

1. SOLDER AND WORKMANSHIP PER DEC STD 116.
2. A HORIZONTAL FORCE OF 3 LBS. ON THE CABLE SHALL NOT INDUCE UNDOE STRESSES IN THE SOLDER AT THE P.C. BOARD TERMINATIONS.
3. PRIOR TO ASSEMBLY, THE SHORT LEAD ON ITEMS 2, 3 AND 4 ARE THE CATHODES.

4.03 IS SPARE DIODE LOCATION.
 5. PIN 2 ON CONN IS POSITION J33
 PIN 1 ON CIRCUIT BRD.
 SEE MO 5018271 FOR LOC. TO SHEAR OUTSIDE OF CROPMARKS.

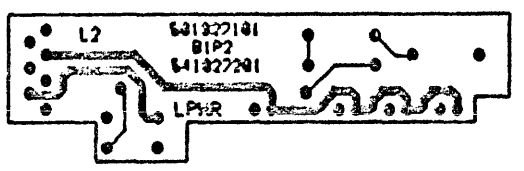
SIGNATURES	DATE
DRAWN LAURIE BARRETT	19FEB87
CHECKED ROBERT KOPFENAL	12JUN87
MECH ENG PETER BARTON	12JUN87
PROJ ENG ANN MARIE HICKEY	12JUN87
PROG CHRIS SHEENT	19JUN87

digital			
TITLE PC BD.			
SWITCH/LED			
SIZE	CODE	NUMBER	REV
K	UA	5418272-0-0	C

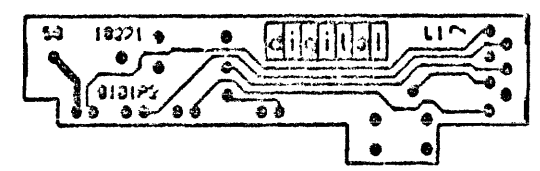
8 7 6 5 4 3 2 1

THIS DRAWING AND THE SPECIFICATIONS CONTAINED HEREIN ARE THE PROPERTY OF THE UNITED STATES GOVERNMENT AND ARE NOT TO BE REPRODUCED OR COPIED IN ANY MANNER WITHOUT THE WRITTEN PERMISSION OF THE DIRECTOR, ARMY RESEARCH OFFICE-DURHAM, NORTH CAROLINA. THIS DRAWING IS UNCLASSIFIED EXCEPT WHERE SHOWN OTHERWISE UNDER THE FOIA CONTROL LISTS. COPYRIGHT © 1984 MILITECH EQUIPMENT CORPORATION

LAYER 2
VIEWED FROM SIDE 2



LAYER 1
VIEWED FROM SIDE 1



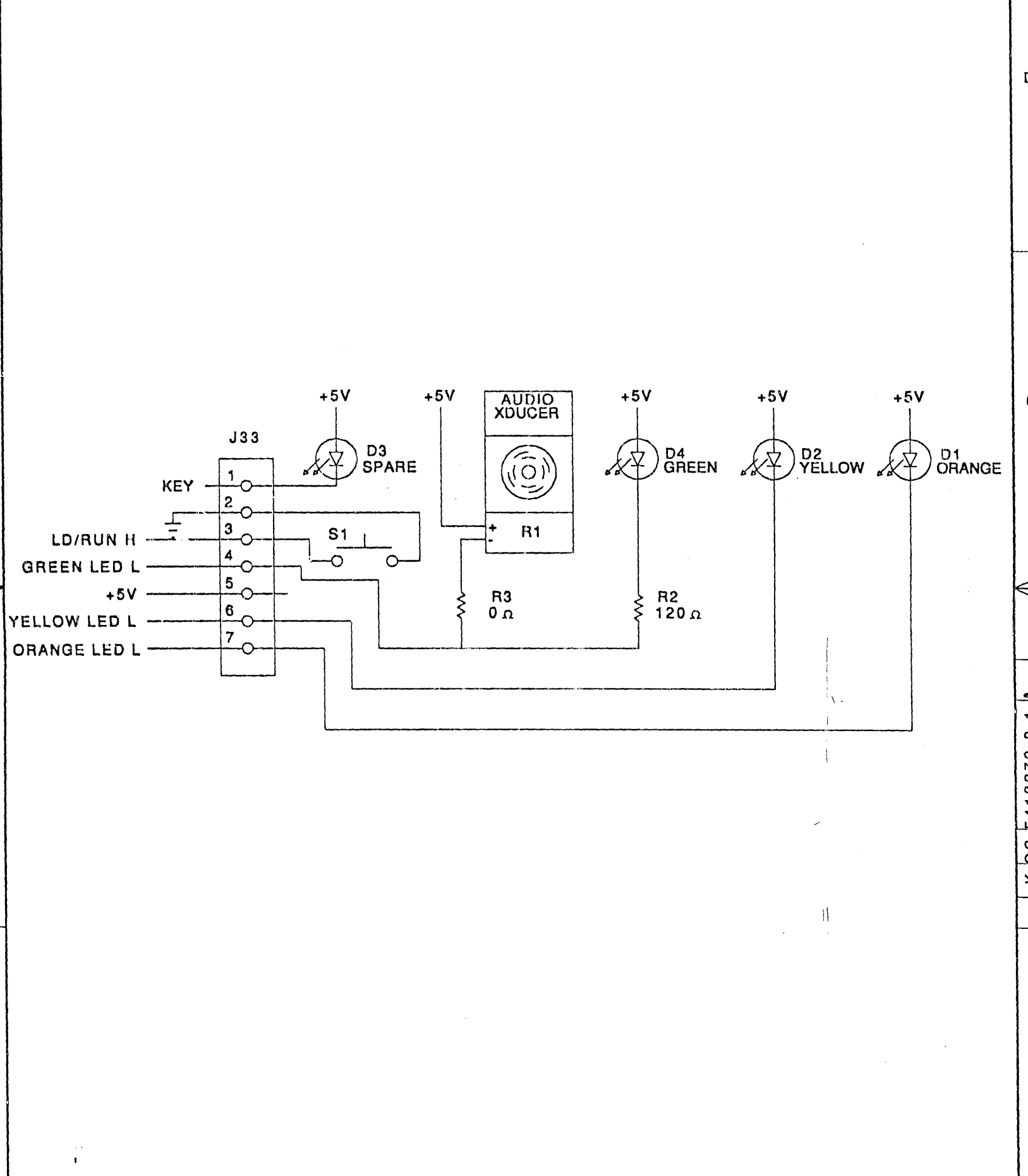
LINE	ITEM	TOP DOCUMENT	PART NUMBER	MIN REV	DESCRIPTION	QTY PER VAR/REV	REFERENCE DESIGNATORS
						01 A3	
1	1	K-DD-5018271-0-DBV	50-18271-01		DRILL AND ETCH	1	
2	2		11-28095-01		LED ORANGE T1 3MOD	1	D1
3	3		11-28095-02		LED YELLOW T1 3MCD	1	D2
4	4		11-28095-03		LED GREEN T1 4MCD	1	D4
5	5		12-18296-18		CONN, IDC 07POS(1X07).100CC GOL	1	
6	6		12-19389-01		KEYING PLUG	1	
7	7		12-27031-01		SW,PB SPST MOM 50M	1	S1
8	8		12-28033-01		TRANSDUCER,MINI,PIEZO-CER,PC MNT	1	R1
9	9		13-00247-00		120.0 .25 W 5.0 % CF	1	R2
10	10		90-09185-00		JUMPER, WIRE, INSULATED, BLACK B	1	R3
11	11		91-07854-00		WIRE, 26AWG(7/34)IPVC	5	
12	12		91-07854-22		WIRE, 26AWG(7/34)IPVC	1	
13	13		49-01755-01		ADHESIVE,CURING FOR STRAIN RELIE	A/R	

REVISION HISTORY		KPL MODULE FORMAT		SECTION A OF A		DRN: A.SPAULDING		D I G I T A L	
ENG	ECO NUMBER	REV	SECTION/VARIATION INDEX			DATE: 27-FEB-86			
---	INITIAL	A	[A] 01	[M]		CHK'D: R. KOPPENAL	TITLE PARTS LIST		
A.H	5418272-SH001	B	[B]	[N]		DATE: 04-JUN-87	PC BD. SWITCH/LED		
P.B	5418272-SH002	C	[C]	[P]		DES.ENG: DAVE BEAUREGARD	DOCUMENT NUMBER		
			[D]	[Q]		DATE: 04-JUN-87	SIZE	CODE	NUMBER
			[E]	[R]		RESP.ENG.: A.M. HICKEY			REV
			[F]	[S]		DATE: 04-JUN-87	K	PL	5418272-0-DBP
			[H]	[T]		MFG.ENG: FRED BELLIVEAU	RELEASE DATE: 08-DEC-88		
			[J]	[V]		DATE: 04-JUN-87	RELEASE STATUS: RELEASED		
			[K]	[W]			BASIC PART NUMBER:		ASSEMBLY NUMBER:
			[L]	[Y]			5418272		K-UA-5418272-0-0
							TOP DOCUMENT NUMBER:		EDIT #
							K-DD-5418272-0-DBV		3
							FILE NAME: SH454C.PLS		

"THIS DRAWING AND THE SPECIFICATIONS CONTAINED HEREIN ARE CONFIDENTIAL AND PROPRIETARY. THEY ARE THE PROPERTY OF DIGITAL EQUIPMENT CORPORATION AND SHALL NOT BE REPRODUCED OR COPIED OR USED IN WHOLE OR IN PART AS THE BASIS FOR THE MANUFACTURE OR SALE OF ITEMS WITHOUT WRITTEN PERMISSION. THIS IS AN UNPUBLISHED WORK PROTECTED UNDER THE FEDERAL COPYRIGHT LAWS."

THIS DRAWING AND SPECIFICATIONS, HEREIN, ARE THE PROPERTY OF DIGITAL EQUIPMENT CORPORATION AND SHALL NOT BE REPRODUCED OR COPIED OR USED IN WHOLE OR IN PART AS THE BASIS FOR THE MANUFACTURE OR SALE OF ITEMS WITHOUT WRITTEN PERMISSION. COPYRIGHT © JUNE-87 DIGITAL EQUIPMENT CORPORATION

REVISION	
CHK	CHANGE NO. REV



digital	DRN. S. Alessi	DATE 8-JUN-87	ENG. D. Beaugard	DATE 8-JUNE-87	TITLE: PC BD. SWITCH/LED
	CHK'D. S. Alessi	DATE 8-JUN-87	BOARD LOCATION: SHEET 1 OF 1	TOP DOCUMENT NUMBER:	SIZE CODE K CS NUMBER 5418272-0-1 REV. A
UFR: FIRST USED ON OPTION/MODEL:					

K CS 5418272-0-1 A

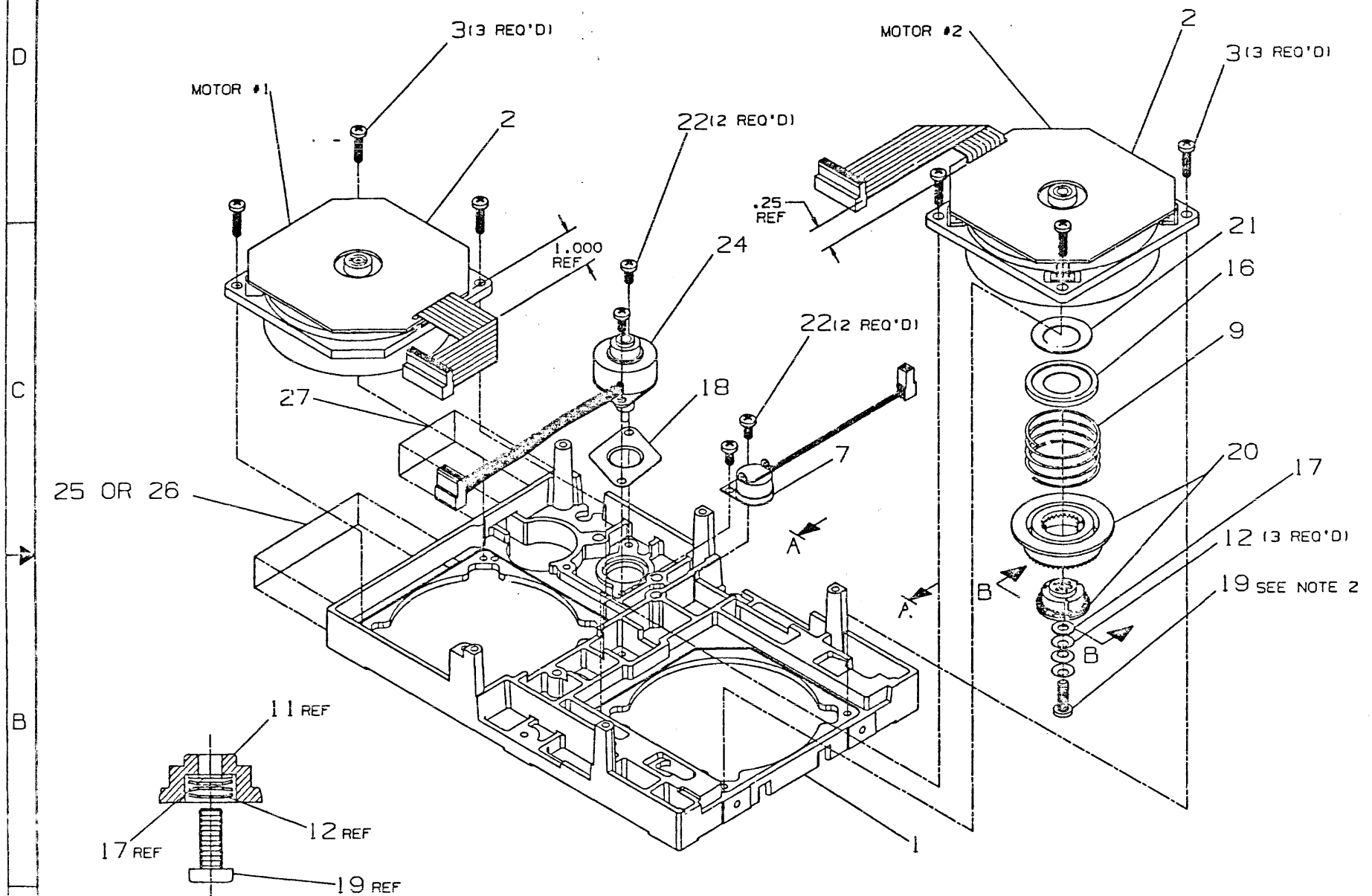
SAR

THIS DRAWING AND THE SPECIFICATIONS CONTAINED HEREIN ARE CONFIDENTIAL AND PROPRIETARY. THEY ARE THE PROPERTY OF DIGITAL EQUIPMENT CORPORATION AND SHALL NOT BE REPRODUCED OR COPIED OR USED IN WHOLE OR IN PART AS THE BASIS FOR THE MANUFACTURE OR SALE OF ITEMS WITHOUT WRITTEN PERMISSION. THIS IS AN UNPUBLISHED WORK PROTECTED UNDER THE FEDERAL COPYRIGHT LAWS.
 COPYRIGHT © 1985 DIGITAL EQUIPMENT CORPORATION

LEGEND		
PART NO.	REV	VARIATION
7021736-01	D5	TK50
7021736-02	D5	TK70

NOTES:

- DATUM -A- IS DEFINED BY 3 TOOLING POINTS A1, A2 AND A3 AS SHOWN ON DRAWING D-MD-7427667-0-DBU, BASEPLATE MACHINED DWG.
- TORQUE SCREW (ITEM 19) TO 10±2 INCH POUNDS.
- DATUM -D- DEFINED BY TOP OF .0469 DIAMETER PINS.
- DIMENSION TO BE ACHIEVED BY USE OF ITEM 21 AS REQUIRED.



SECTION B-B
SCALE: 2/1

CAUTION
OFF SHEET PARTS LIST EXISTS
SEE K-PL-7021736-0-DBP

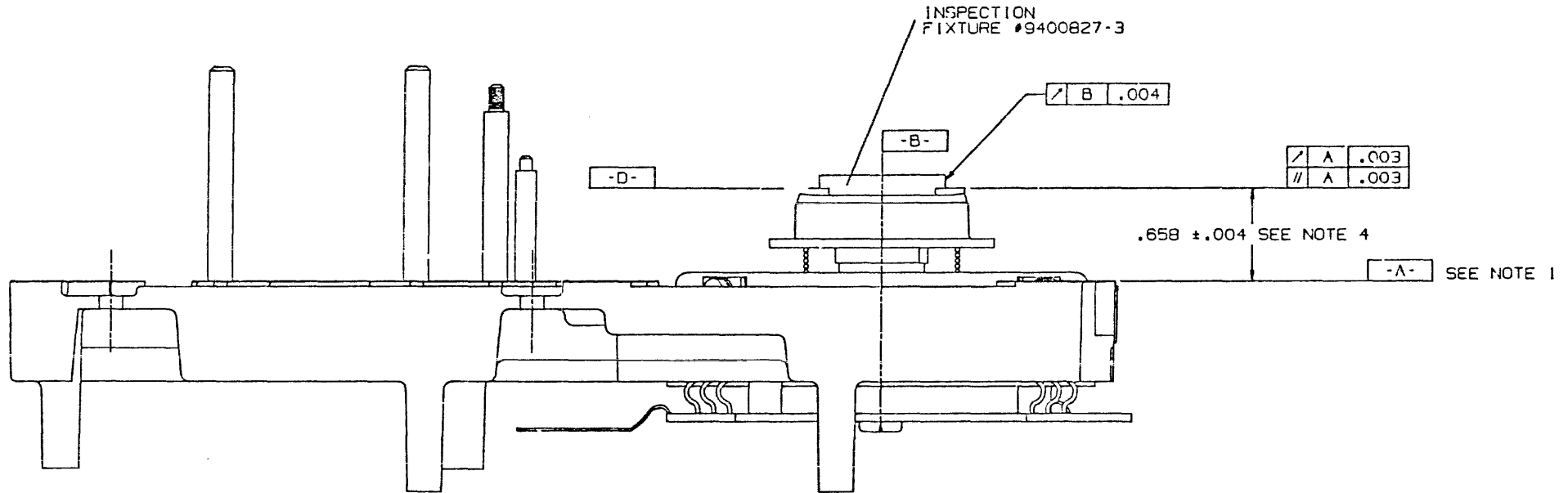
REV.	CHG	NO.	INITIAL	DATE	DESCRIPTION
A					
B					
C					
D					
E					
F					
G					
H					
I					
J					
K					
L					

DESCRIPTION	DRAWING NO.	PART NO.	ITEM NO.
UNLESS OTHERWISE SPECIFIED DIMENSIONS ARE IN INCHES AND THE FOLLOWING TOLERANCES APPLY (PER DEC STD 114)			
INCHES TOLERANCES	ANGLES 10°-30°	APPLICABLE DIMENSION RANGE	
.XX ± .01	SURFACE QUALITY	OVER 12.0 TO 40.0	OVER 40.0 TO 80.0
.XXX ± .02	✓	1.00 ± .02	1.00 ± .03
.XXX ± .005	MICROFINISH	1.00 ± .012	1.00 ± .018
QUANTITY & VARIATION	THIRD ANGLE PROJECTION	DATE	TITLE
E-UA-TK50-0-DBU	DO NOT SCALE DRAWING	4/23/84	MOTOR AND BASEPLATE ASSEMBLY
	REMOVE BURRS AND BREAK SHARP CORNERS	DATE	DOCUMENT NUMBER
	MATERIAL SEE PARTS LIST	3/8/85	D AD 7021736-0-DBU
	FINISH NONE	DATE	SCALE 1/1
		3/8/85	SHEET 1 OF 2
			SHO

THIS DRAWING AND THE SPECIFICATIONS CONTAINED HEREIN ARE CONFIDENTIAL AND PROPRIETARY. THEY ARE THE PROPERTY OF DIGITAL EQUIPMENT CORPORATION AND SHALL NOT BE REPRODUCED OR COPIED OR USED IN WHOLE OR IN PART AS THE BASIS FOR THE MANUFACTURE OR SALE OF ITEMS WITHOUT WRITTEN PERMISSION. THIS IS AN UNPUBLISHED WORK PROTECTED UNDER THE FEDERAL COPYRIGHT LAWS.
 COPYRIGHT © 1975 DIGITAL EQUIPMENT CORPORATION

DAD 7021736-0-DBU K

DAD 7021736-0-DBU K 2



VIEW A-A
 ROTATED 180° CW
 SCALE 2/1

REVISIONS		
CHK	CHANGE NO	REV
	SEE SHEET 1	

TITLE	MOTOR AND BASEPLATE ASSY	SIZE/CODE	DAD	NUMBER	7021736-0-DBU	REV	K
SCALE	1/1	SHEET	2 OF 2	DIST			

DAD 7021736-0-DBU K

A

SHO

LINE	ITEM	TOP DOCUMENT	PART NUMBER	MIN REV	DESCRIPTION	QUANTITY PER VARIATION/REVISION	
						01 D5	02 D5
1	1	D-IA-7021732-0-DBU	70-21732-01		BASEPLATE ASSY	1	1
2	2	A-PS-1222681-0-DBU	12-22681-01		MOTOR,BRUSHLESS,DC	2	2
3	3	A-PS-9010089-0-DBU	90-10089-03		SCREW,THD RL,PAN PHIL F/METAL	6	6
4	5	A-PS-1221497-0-DBU	12-21497-01		*** THIS ITEM IS NOT USED ***	-	-
5	6	A-PS-9009905-0-DBU	90-09905-01		*** THIS ITEM IS NOT USED ***	-	-
6	7	A-PS-1222958-0-DBU	12-22958-02		THERMAL SW,0@145,	A 1	1
7	9	A-PS-1222356-0-DBU	12-22356-01		SPRING,COMPRESSION 1.14 ODX .500LG	1	1
8	12	A-PS-9010506-0-DBU	90-10506-01		WASHER,SPRING BELLEVILLE STEEL	3	3
9	14	A-PS-3619833-0-DBU	36-19833-03		*** THIS ITEM IS NOT USED ***	-	-
10	16	C-MD-7431657-0-DBU	74-31657-01		PLATE,DRIVER SPRING SUPPORT	1	1
11	17	A-PS-1224692-0-DBU	12-24692-02		WASHER,FLAT	1	1
12	18	B-MD-7429607-0-DBU	74-29607-02		SHIELD ACTUATOR	1	1
13	19	A-PS-9006039-0-0	90-06039-01		SCREW,MACH PAN PHIL 8-32	1	1
14	20	D-AD-7023477-0-DBU	70-23477-01		REEL DRIVER ASSY	1	1
15	21	A-PS-1224328-0-0	12-24328-01		SHIM,PLASTIC RED .002THKX	A/R	A/R
16	22	A-PS-9010717-0-0	90-10717-01		SCREW,MACH PAN PHIL 6-32	4	4
17	23		36-22059-10		*** THIS ITEM IS NOT USED ***	-	-
18	24	A-PS-1221497-0-DBU	12-21497-02		ACTUATOR,LINEAR	1	1
19	25		36-28698-01		LABEL,BAR CODE,TK50 UR/CSA	1	-
20	26		36-28698-02		LABEL,BAR CODE,TK70 UR/CSA	-	1
21	27		36-28699-01		LABEL,BAR CODE POLYESTER	1	1

REVISION HISTORY			KPL MATRIX FORMAT		SECTION A OF A		DRN: R. PUDLEKO		DIGITAL	
ENG	ECO NUMBER	REV	SECTION/VARIATION INDEX		DATE:	E. WESTER		TITLE		PARTS LIST
---	INITIAL	A	[A]--01,02		DATE: 23-APR-84	E. WESTER		MOTOR AND BASEPLATE ASSEMBLY		
GS	TK50-SH006	B	[B]		DATE: 23-APR-84	E. WESTER		DOCUMENT NUMBER		
GS	7021736-SH001	C	[C]		DATE: 23-APR-84	G. SCHNEIDER		NUMBER		REV
GS	7021736-SH002	D	[D]		RESP.ENG.: G. SCHNEIDER	DATE: 23-APR-84		K		PL
GS	TK50-SH009	E	[E]		DATE: 23-APR-84	W. HARRIS		7021736-0-DBP		K
EW	7021736-SH003	F	[F]		MFG.ENG: W. HARRIS	DATE: 23-APR-84		RELEASE DATE: 02-MAY-88		
EW	7021736-SH004	H	[H]		DATE: 23-APR-84	RELEASE STATUS: RELEASED				
EW	7021736-SH005	J	[J]							
EW	7021736-SH006	K	[K]							
			BASIC PART NUMBER:		ASSEMBLY NUMBER:		TOP DOCUMENT NUMBER:		FILE NAME:	
			7021736		D-AD-7021736-0-DBU		D-AD-7021736-0-DBU		Z8719K.PLS	
									EDIT #	
									1	

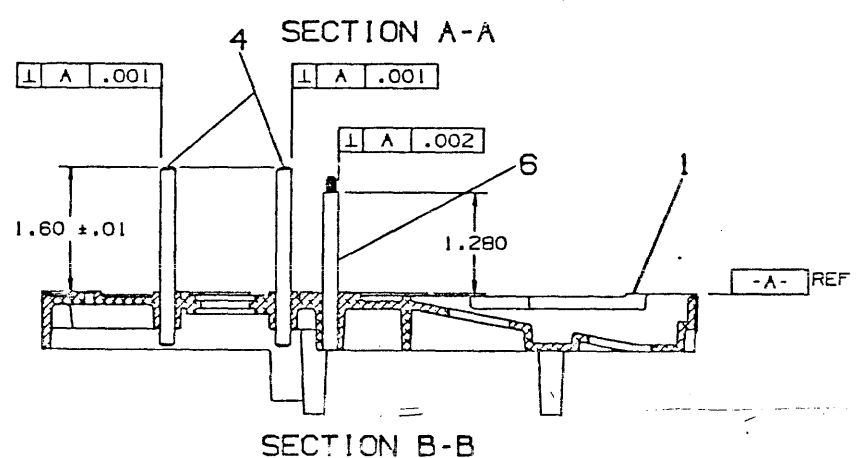
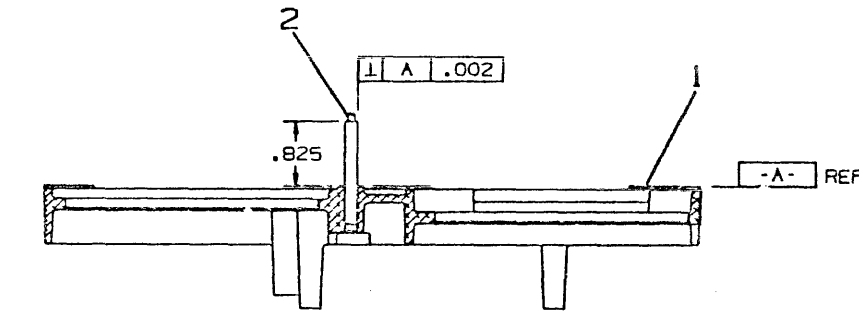
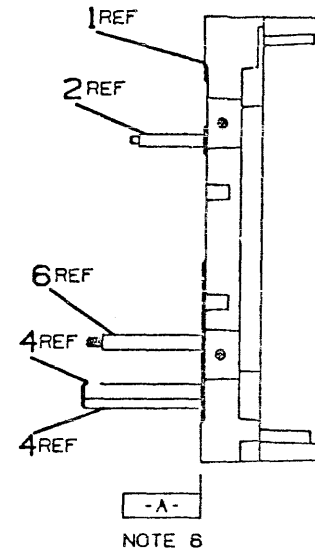
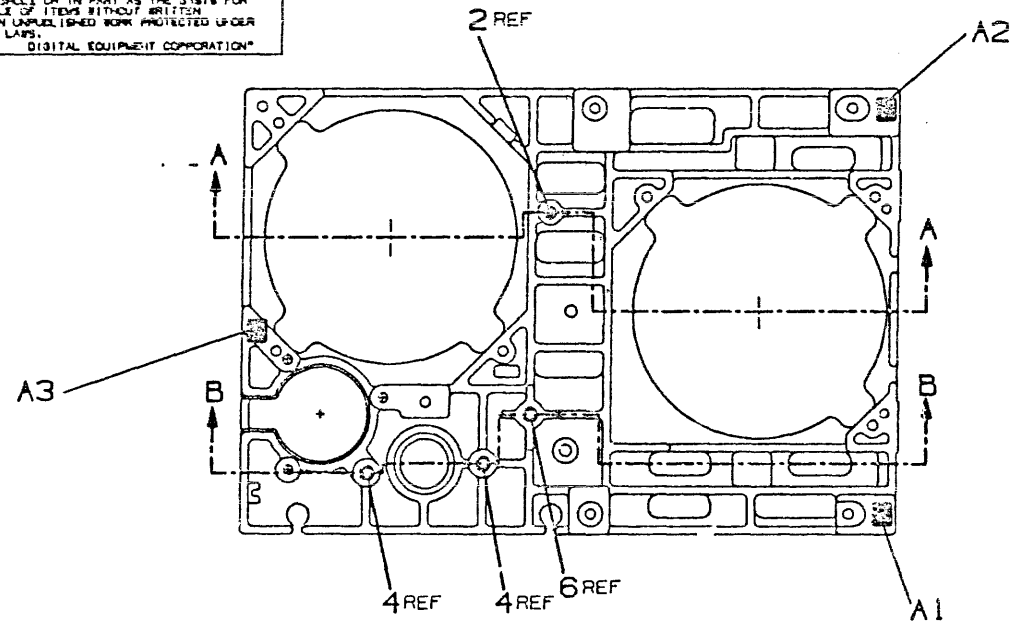
"THIS DRAWING AND THE SPECIFICATIONS CONTAINED HEREIN ARE CONFIDENTIAL AND PROPRIETARY. THEY ARE THE PROPERTY OF DIGITAL EQUIPMENT CORPORATION AND SHALL NOT BE REPRODUCED OR COPIED OR USED IN WHOLE OR IN PART AS THE BASIS FOR THE MANUFACTURE OR SALE OF ITEMS WITHOUT WRITTEN PERMISSION. THIS IS AN UNPUBLISHED WORK PROTECTED UNDER THE FEDERAL COPYRIGHT LAWS."

THIS DRAWING AND THE SPECIFICATIONS CONTAINED HEREIN ARE CONFIDENTIAL AND PROPRIETARY. THEY ARE THE PROPERTY OF DIGITAL EQUIPMENT CORPORATION AND SHALL NOT BE REPRODUCED OR COPIED OR USED IN WHOLE OR IN PART AS THE BASIS FOR THE MANUFACTURE OR SALE OF ITEMS WITHOUT WRITTEN PERMISSION. THIS IS AN UNPUBLISHED WORK PROTECTED UNDER THE FEDERAL COPYRIGHT LAWS.
 COPYRIGHT © 1985 DIGITAL EQUIPMENT CORPORATION

LEGEND		
PART NO.	REV	VARIATION
7021732-01	C1	AS SHOWN

- NOTES:
- PRESSFIT ASSEMBLE ITEM 2 PIN, LINK DRIVER TO ITEM 1 BASEPLATE, WITH SUPPORT DIRECTLY UNDER PIN TO DIM AS SHOWN.
 - PRESSFIT ASSEMBLY ITEM 3 SHAFT, PULLEY TO ITEM 1 BASEPLATE, WITH SUPPORT DIRECTLY UNDER SHAFT TO DIM AS SHOWN.
 - PRESSFIT ASSEMBLY ITEM 4 POST, HEAD GUIDE TO ITEM 1 BASEPLATE, WITH SUPPORT DIRECTLY UNDER POST TO DIM AS SHOWN. (2 PLACES)
 - THE PINS ON THE ASSEMBLED PART MUST SUSTAIN AN AXIAL FORCE OF 25 LBS (OPPOSITE THE DIRECTION OF INTERSECTION) WITHOUT MOVEMENT.
 - INSPECTION:
 - IN PROCESS STATISTICAL CONTROLS TO BE KEPT ON THE FOLLOWING DIMENSIONS PER DEC POLICY #EL-MF347-00:

ZONE	DIMENSION	METHOD	HISTOGRAM
B6	$\perp A .002$		YES
B6	$\perp A .001$		YES
B7	$\perp A .001$		YES
C6	$\perp A .002$		YES
 - DATUM A IS DEFINED BY 3 TOOLING POINTS A1, A2, AND A3 AS SHOWN ON DRAWING NUMBER D-MD-7427667-0-DBU, BASEPLATE MACHINING



CAUTION
 OFF SHEET PARTS LIST EXISTS
 SEE K-PL-7021732-0-DBP

DESCRIPTION	DRAWING NO.	PART NO.	REV.		
UNLESS OTHERWISE SPECIFIED DIMENSIONS ARE IN INCHES AND THE FOLLOWING TOLERANCES APPLY (PER DEC STD 114)					
INCHES TOLERANCES	ANGLES 90° 30'	DIMENSION RANGE IN INCHES			
		OVER 12.0 TO 30.0	OVER 6.0 TO 12.0	OVER 3.0 TO 6.0	OVER 0.1 TO 3.0
$\pm .01$	SURFACE QUALITY	$\pm .01$	$\pm .01$	$\pm .01$	
$\pm .002$		$\pm .002$	$\pm .002$	$\pm .002$	
QUANTITY & VARIATION	THIRD ANGLE PROJECTION	DATE	TITLE	SCALE	
D-AD-7021732-0-DBU		12/8/83	BASEPLATE, ASSEMBLY	1/1	
DO NOT SCALE DRAWING	DATE	DATE	DATE	DATE	
REMOVE BURRS AND BREAK SHARP CORNERS	E. WESTER	3/3/85	E. WESTER	8/21/83	
MATERIAL SEE PARTS LIST	G. SCHNEIDER	8/21/83	G. SCHNEIDER		
FINISH NOTE	K. CRANSON	3/3/85	K. CRANSON		
	D-IA-7021732-0-DBU				

REV.	DATE	BY	CHK
A	8/26/85	G. SCHNEIDER	
B	10/7/85	G. SCHNEIDER	
C	4-2-86	G. SCHNEIDER	

D-AD-7021732-0-DBU

LINE	ITEM	TOP DOCUMENT	PART NUMBER	MIN REV	DESCRIPTION	QTY PER VARIATION
1	1	D-MD-7427667-0-DBU	7427667-03		BASE PLATE	1
2	2	B-MD-7429210-0-DBU	7429210-01		PIN, DRIVER LINK	1
3	3	C-MD-7429209-0-DBU	7429209-01		SHAFT, PULLEY	1
4	4	B-MD-7429388-0-DBU	7429388-01		POST, HEAD GUIDE	2
5	5	A-PS-3619833-0-0	3619833-02		*** THIS ITEM IS NOT USED ***	-

REVISION HISTORY			BASIC PART NO: 7021732				
ENG	ECO NUMBER	REV	SECTION A OF A	DRN: R. PUDELKO	DATE: 24-FEB-84	D I G I T A L	
---	INITIAL	A	SECTION VARIATION INDEX	CHK'D: E. WESTER	DATE: 18-MAR-85	TITLE PARTS LIST	
GS	TK50-SH002	B	{A}01			BASEPLATE ASSY	
GS	7021736-SH001	C	{B}	DES.ENG: E. WESTER	DATE: 18-MAR-85	DOCUMENT NUMBER	
			{C}			SIZE	CODE
			{D}	RESP.ENG.: G. SCHNEIDER	DATE: 18-MAR-85	K	PL
			{E}			7021732-0-DBP	
			{F}	MFG.ENG.: K. CRANSON	DATE: 18-MAR-85	RELEASE DATE: 07-OCT-85	
				ASSEMBLY NUMBER:	TOP DOCUMENT NUMBER:	FILE NAME:	EDIT #
				D-IA-7021732-0-DBU	D-IA-7021732-0-DBU	Z8715C.PLS	14

"THIS DRAWING AND THE SPECIFICATIONS CONTAINED HEREIN ARE CONFIDENTIAL AND PROPRIETARY. THEY ARE THE PROPERTY OF DIGITAL EQUIPMENT CORPORATION AND SHALL NOT BE REPRODUCED OR COPIED OR USED IN WHOLE OR IN PART AS THE BASIS FOR THE MANUFACTURE OR SALE OF ITEMS WITHOUT WRITTEN PERMISSION. THIS IS AN UNPUBLISHED WORK PROTECTED UNDER THE FEDERAL COPYRIGHT LAWS."

LINE	ITEM	TOP DOCUMENT	PART NUMBER	MIN REV	DESCRIPTION	01 A1	QUANTITY PER VARIATION/REVISION
1	1	D-MD-7427688-0-DBU	74-27688-01		DRIVER, REEL	1	
2	2				*** THIS ITEM IS NOT USED ***	-	
3	3	D-MD-7427691-0-DBU	74-27691-02		DRIVER, HUB, (MACHINED)	1	

REVISION HISTORY		KPL MATRIX FORMAT		SECTION A OF A	DRN: R. PUDELKO	DIGITAL		
ENG	ECO NUMBER	REV	SECTION/VARIATION INDEX		DATE: 29-JAN-86			
---	INITIAL	A	[A]	01	CHK'D: E. WESTER	TITLE PARTS LIST		
EW	7023477-SH001	B	[B]		DATE: 29-JAN-86	REEL DRIVER ASSY		
			[C]		DES. ENG: K. CRANSON	DOCUMENT NUMBER		
			[D]		DATE: 29-JAN-86	SIZE	CODE	NUMBER
			[E]		RESP. ENG.: G. SCHNIEDER	K	PL	7023477-0-DBP
			[F]		DATE: 04-FEB-86			REV
			[H]		MFG. ENG: W. HARRIS	RELEASE DATE: 10-FEB-87		
			[J]		DATE: 04-FEB-86	RELEASE STATUS: RELEASED		
BASIC PART NUMBER:		ASSEMBLY NUMBER:		TOP DOCUMENT NUMBER:		FILE NAME:		EDIT #
7023477		D-AD-7023477-0-DBU		D-AD-7023477-0-DBU		SH270B.PLS		1

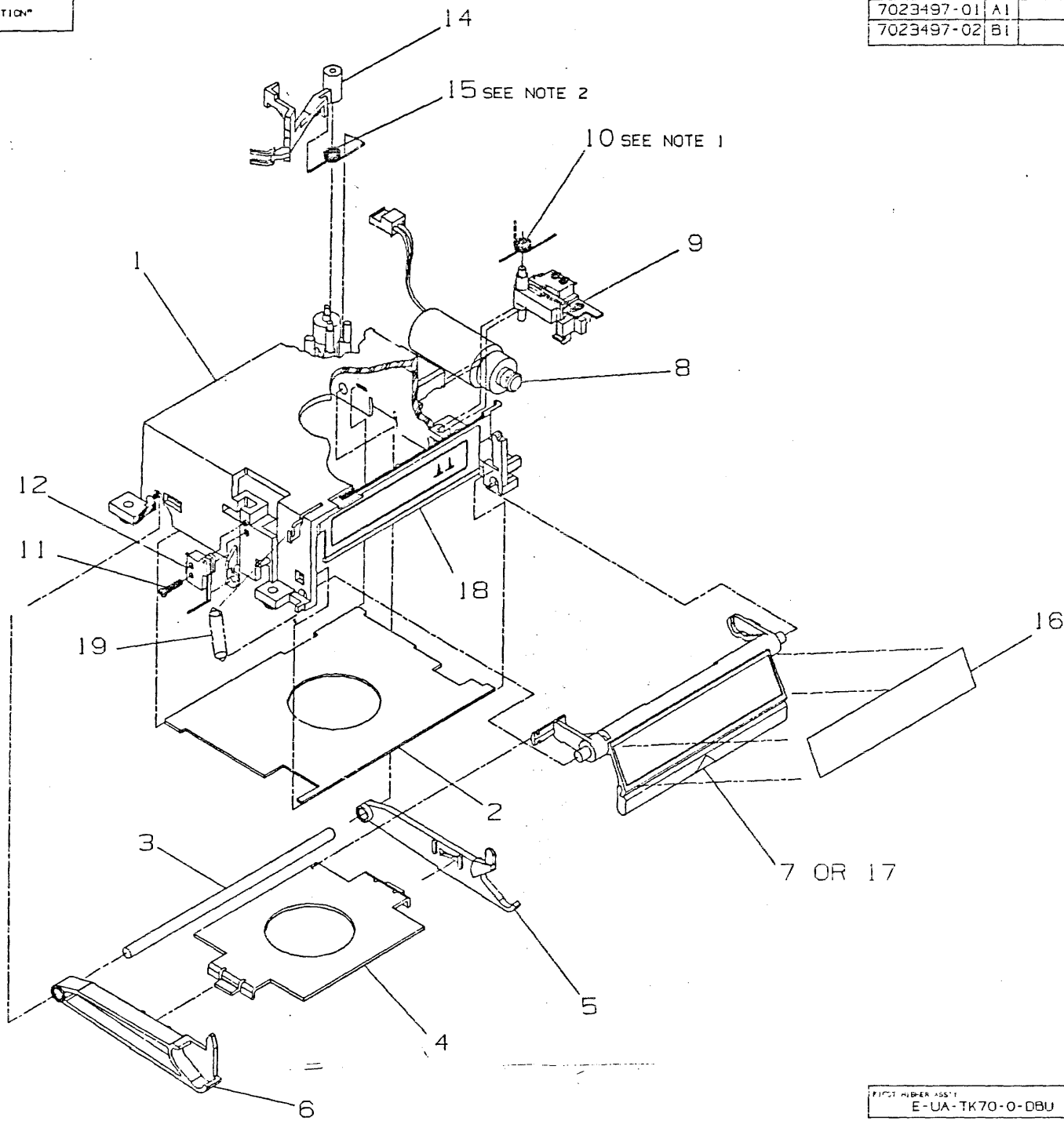
"THIS DRAWING AND THE SPECIFICATIONS CONTAINED HEREIN ARE CONFIDENTIAL AND PROPRIETARY. THEY ARE THE PROPERTY OF DIGITAL EQUIPMENT CORPORATION AND SHALL NOT BE REPRODUCED OR COPIED OR USED IN WHOLE OR IN PART AS THE BASIS FOR THE MANUFACTURE OR SALE OF ITEMS WITHOUT WRITTEN PERMISSION. THIS IS AN UNPUBLISHED WORK PROTECTED UNDER THE FEDERAL COPYRIGHT LAWS."

THIS DRAWING AND SPECIFICATIONS HEREIN ARE THE PROPERTY OF DIGITAL EQUIPMENT CORPORATION AND SHALL NOT BE REPRODUCED OR COPIED OR USED IN WHOLE OR IN PART AS THE BASIS FOR THE MANUFACTURE OR SALE OF ITEMS WITHOUT WRITTEN PERMISSION.
 COPYRIGHT © 1986 DIGITAL EQUIPMENT CORPORATION

LEGEND		
PART NO.	REV	VARIATION
7023497-01	A1	AS SHOWN
7023497-02	B1	LONG SHAFT

NOTES:

- TOTAL WARP OF SPRING WHEN INSTALLED TO BE APPROX. 45°.
- INSTALLED SPRING TO BE WOUND APPROXIMATELY 30° FROM FREE STATE.



CAUTION
 OFF SHEET PARTS LIST EXISTS
 SEE K-PL-7023497-0-DBP

MAG. MEDIA FILENAME: 7023497-AD-DBUC

DESCRIPTION	DRAWING NO.	PART NO.	REV.
UNLESS OTHERWISE SPECIFIED DIMENSIONS ARE IN INCHES AND THE FOLLOWING TOLERANCES APPLY (PER DEC STD 114)			
INCHES TOLERANCES	ANGLES 10°-30°	APPLICABLE DIMENSION	
		OVER 10 TO 12.0	OVER 12.0 TO 40.0
±.01 ±.02 ±.005	SURFACE QUALITY	OVER 0.2 TO 0.2	OVER 0.2 TO 0.2
	✓	±.004	±.008
	✓	±.012	±.018
	✓	±.024	±.04
THIRD ANGLE PROJECTION	DRN R. PUDELKO	DATE 21 FEB 87	TITLE
DO NOT SCALE DRAWING	DR'D A. HIGGINS	DATE 8 JUN 87	RECEIVER ASSEMBLY
REMOVE BURRS AND BREAK SHARP CORNERS	DES. ENG. K. CRANSON	DATE 8 MAY 87	DOCUMENT NUMBER
MATERIAL SEE PARTS LIST	RESP. ENG. K. CRANSON	DATE 8 MAY 87	
	MFG. ENG. F. BELLIVEAU	DATE 8 JUN 87	
FINISH NONE	TOP DOC. D-AD-7023497-0-DBU	SCALE 1/1	SHEET 1 OF 1

REV.	CHG. NO.	INITIAL	DATE
A			
B			
C			

C.W. FIELDS 02-01-88
 E. WESTER TK70-SH004
 T. BRIGHMAN 25-JAN-90
 P. BARTON

D-AD-7023497-0-DBU C

digital

SHO

LINE ITEM

TOP DOCUMENT

PART NUMBER

MIN
REV

DESCRIPTION

01 02
A01 B01

QUANTITY PER VARIATION/REVISION

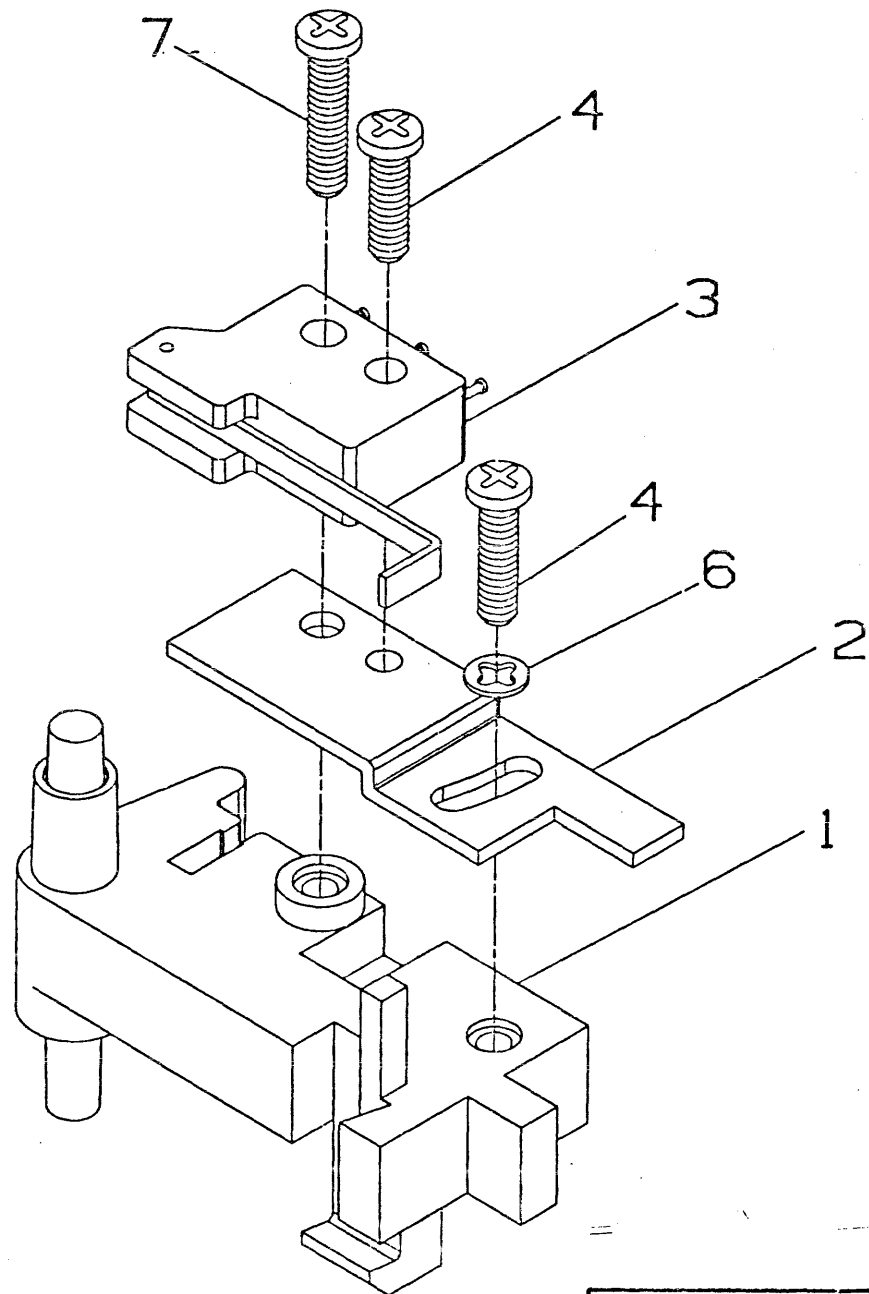
1	1	E-MD-7432530-0-DBU	74-32530-02	RECEIVER	1	1
2	2	C-MD-7429212-0-DBU	74-29212-01	FLOOR, RECEIVER	1	1
3	3	B-MD-7429216-0-DBU	74-29216-01	SHAFT,PIVOT LINK	1	1
4	4	D-MD-7429211-0-DBU	74-29211-01	PLATE,CLUTCH	1	1
5	5	D-MD-7429213-0-DBU	74-29213-01	LINK,CLUTCH,RIGHT	1	1
6	6	D-MD-7429214-0-DBU	74-29214-01	LINK,CLUTCH,LEFT	1	1
7	7	D-IA-7024656-0-DBU	70-24656-01	HANDLE,ENGAGING ASSY	1	-
8	8		12-22089-01	SOLENOID,10.5VDC.TUBULAR INTERMITT	1	1
9	9	C-AD-7021738-0-DBU	70-21738-01	INTERPOSER ASSY.	1	1
10	10		12-22538-01	SPRING,TORSION	1	1
11	11		90-10500-01	SCREW,THRL 2-56 PAN .375 XRCS	1	1
12	12		12-25332-02	SW,ASSY SPDT NO-SNAP ACTING	1	1
13	13			*** THIS ITEM IS NOT USED ***	-	-
14	14	D-MD-7434496-0-DBU	74-34496-01	LINK,BUCKLING	1	1
15	15	A-PS-1223742-0-DBU	12-23742-01	SPRING,TORSION .020DIA WIRE	1	1
16	16	A-PS-3628840-0-0	36-28840-01	LABEL,HANDLE TK70	1	1
17	17	D-IA-7024656-0-DBU	70-24656-02	HANDLE ENGAGING ASSY LONG SHAFT	-	1
18	18		74-39328-01 A	DOOR,RECEIVER	-	1
19	19		12-31677-01 B	SPRING,EXTENSION 0.2000D	-	1

REVISION HISTORY		KPL MATRIX FORMAT		SECTION A OF A	DRN: C.W.FIELDS	D I G I T A L			
ENG!	ECO NUMBER	REV	SECTION/VARIATION INDEX		DATE: 24-FEB-86				
---	INITIAL	A	[A]	01,02	CHK'D: A. HIGGINS	TITLE PARTS LIST			
EW	TK70-SH003	B	[B]		DATE: 20-AUG-87	RECEIVER ASSY			
PB	TK70-SH004	C	[C]		DES.ENG: K. CRANSON				
			[D]		DATE: 20-AUG-87	DOCUMENT NUMBER			
			[E]		RESP.ENG.: K. CRANSON	SIZE	CODE	NUMBER	REV
			[F]		DATE: 20-AUG-87	K	PL	7023497-0-DBP	C
			[H]		MFG.ENG: F. BELLIVEAU	RELEASE DATE: 01-FEB-90			
			[J]		DATE: 20-AUG-87	RELEASE STATUS: RELEASED			
			BASIC PART NUMBER:		ASSEMBLY NUMBER:		TOP DOCUMENT NUMBER:		EDIT #
			7023497		D-AD-7023497-0-DBU		K-PL-7023497-0-DBP		2
			FILE NAME: 7023497C.PLS						

"THIS DRAWING AND THE SPECIFICATIONS CONTAINED HEREIN ARE CONFIDENTIAL AND PROPRIETARY. THEY ARE THE PROPERTY OF DIGITAL EQUIPMENT CORPORATION AND SHALL NOT BE REPRODUCED OR COPIED OR USED IN WHOLE OR IN PART AS THE BASIS FOR THE MANUFACTURE OR SALE OF ITEMS WITHOUT WRITTEN PERMISSION. THIS IS AN UNPUBLISHED WORK PROTECTED UNDER THE FEDERAL COPYRIGHT LAWS."

THIS DRAWING AND THE SPECIFICATIONS CONTAINED HEREIN ARE CONFIDENTIAL AND PROPRIETARY. THEY ARE THE PROPERTY OF DIGITAL EQUIPMENT CORPORATION AND SHALL NOT BE REPRODUCED OR COPIED OR USED IN WHOLE OR IN PART AS THE BASIS FOR THE MANUFACTURE OR SALE OF ITEMS WITHOUT WRITTEN PERMISSION. THIS IS AN UNPUBLISHED WORK PROTECTED UNDER THE FEDERAL COPYRIGHT LAWS.
 COPYRIGHT © 1985 DIGITAL EQUIPMENT CORPORATION

LEGEND		
PART NO.	REV	VARIATION
7021738-01	B2	AS SHOWN



CAUTION
 OFF SHEET PARTS LIST EXISTS
 SEE K-PL-7021738-0-DBP

REV.	CHANGE NO.	INITIAL	DATE
A			
B	7021738-SH001		
	W. FIELDS 10-6-85		
C	7021738-SH002		
	E. WESTER		
	7021738-SH003		
	W. FIELDS 6-26-87		
	E. WESTER		

FIRST HIGHER ASS'Y
 D-AD-7021085-0-DBU

DESCRIPTION	DRAWING NO.	PART NO.	ITEM NO.		
UNLESS OTHERWISE SPECIFIED DIMENSIONS ARE IN INCHES AND THE FOLLOWING TOLERANCES APPLY (PER DEC STD 114)					
INCHES TOLERANCES .X: ± .1 .XX: ± .02 .XXX: ± .005	ANGLES ±0° 30'	APPLICABLE DIMENSION RANGE (CHECK ONE)			
		DIMENSION RANGE IN INCHES			
		OVER 0 TO 0.2	OVER 0.2 TO 1.2	OVER 1.2 TO 4.0	OVER 4.0 TO 12.0
SURFACE QUALITY		MICROINCHES			
✓		.02			
✓		.03			
✓		.05			
✓		.10			
✓		.004			
✓		.008			
✓		.012			
✓		.016			
✓		.024			
✓		.04			
THIRD ANGLE PROJECTION					
		TITLE			
DO NOT SCALE DRAWING		INTERPOSER, ASSEMBLY			
REMOVE BURRS AND BREAK SHARP CORNERS		DOCUMENT NUMBER			
MATERIAL SEE PARTS LIST		C AD 7021738-0-DBU			
FINISH		SCALE 4/1			
D-AD-7021738-0-DBU		SHEET 1 OF 1			

SIZE CODE C AD 7021738-0-DBU

A

LINE	ITEM	TOP DOCUMENT	PART NUMBER	MIN REV	DESCRIPTION	01 B2	QUANTITY PER VARIATION/REVISION
1	1	E-ME-7429215-0-DBU	74-29215-01		INTERPOSER		1
2	2	C-MD-7429218-0-DBU	74-29218-01		MOUNT, SWITCH		1
3	3		12-22274-04		SW, MICRO 1PDT NO	5A28	1
4	4		90-10500-01		SCREW, THD. RL, PAN PHIL CS/ZNC #		2
5	5				*** THIS ITEM IS NOT USED ***		-
6	6		90-06631-00		WASHER, LOCK INTERNAL STEEL		1
7	7		90-08025-01		SCREW, MACH PAN PHIL	2-56	1

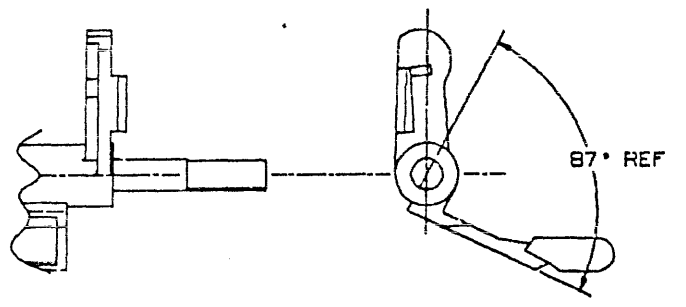
REVISION HISTORY			KPL MATRIX FORMAT		SECTION A OF A	DRN: C.W.FIELDS	DIGITAL			
ENG	ECO NUMBER	REV	SECTION/VARIATION INDEX			DATE: 16-MAR-85				
	INITIAL	A	[A]	01		CHK'D: E.WESTER	TITLE PARTS LIST			
EW	7021738-SH001	B	[B]			DATE: 16-MAR-85	INTERPOSER ASSEMBLY			
EW	7021738-SH002	C	[C]			DES. ENG: E.WESTER	DOCUMENT NUMBER			
			[D]			DATE: 16-MAR-85	SIZE	CODE	NUMBER	REV
			[E]			RESP. ENG.: G.SCHNEIDER	K	PL	7021738-0-DBP	C
			[F]			DATE: 16-MAR-85	RELEASE DATE: 26-JUN-87			
			[H]			MFG. ENG: W.HARRIS	RELEASE STATUS: RELEASED			
			[J]			DATE: 16-MAR-85				
BASIC PART NUMBER:			ASSEMBLY NUMBER:		TOP DOCUMENT NUMBER:		FILE NAME:		EDIT #	
7021738			C-AD-7021738-0-DBU		C-AD-7021738-0-DBU		Z8721C.PLS		2	

"THIS DRAWING AND THE SPECIFICATIONS CONTAINED HEREIN ARE CONFIDENTIAL AND PROPRIETARY. THEY ARE THE PROPERTY OF DIGITAL EQUIPMENT CORPORATION AND SHALL NOT BE REPRODUCED OR COPIED OR USED IN WHOLE OR IN PART AS THE BASIS FOR THE MANUFACTURE OR SALE OF ITEMS WITHOUT WRITTEN PERMISSION. THIS IS AN UNPUBLISHED WORK PROTECTED UNDER THE FEDERAL COPYRIGHT LAWS."

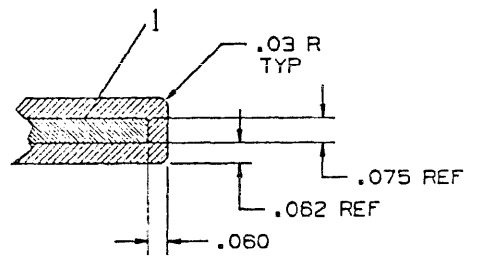
THIS DRAWING AND THE SPECIFICATIONS CONTAINED HEREIN ARE CONFIDENTIAL AND PROPRIETARY. THEY ARE THE PROPERTY OF DIGITAL EQUIPMENT CORPORATION AND SHALL NOT BE REPRODUCED OR COPIED OR USED IN WHOLE OR IN PART AS THE BASIS FOR THE MANUFACTURE OR SALE OF ITEMS WITHOUT WRITTEN PERMISSION. THIS IS AN UNPUBLISHED WORK PROTECTED UNDER THE FEDERAL COPYRIGHT LAWS.
 COPYRIGHT © 1986 DIGITAL EQUIPMENT CORPORATION

LEGEND		
PART NO.	REV	VARIATION
7024656-01	A2	AS SHOWN
7024656-02	A1	LONG SHAFT

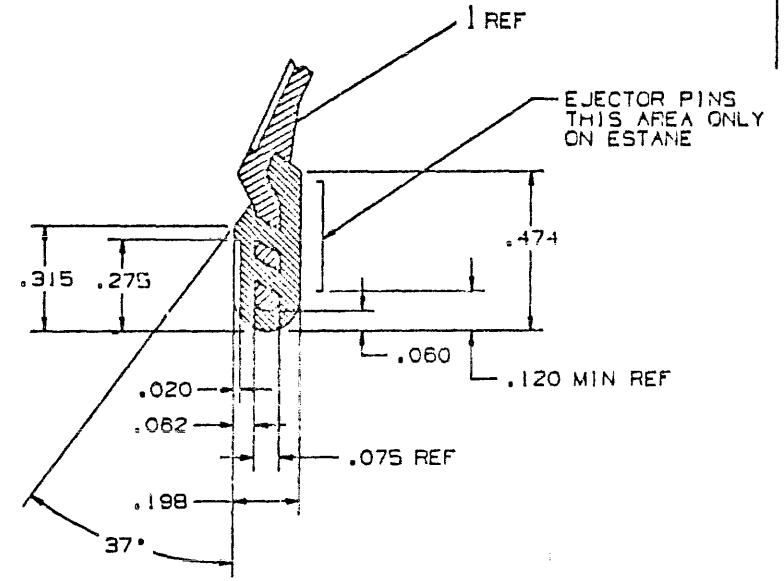
- NOTES:
1. MATERIAL: ESTANE 58370
 COLOR: 092-DXX2-232 MED DARK GREY
 DUROMETER: SHORE B3A
 2. EJECTOR PINS TO BE FLUSH OR UNDER FLUSH BY MAX .010
 3. NO FLASH ALLOWED ALONG FRONT EDGE OR SIDES MAX +.005 ALLOWED ON REAR OF HANDLE
 4. GATE AREA TO BE TRIMMED FLUSH OR +.005 TO EDGE OF HANDLE.
 5. UL CLASSIFICATION 94V-2.
 6. TO BE LISTED IN CURRENT UL COMPONENT INDEX.



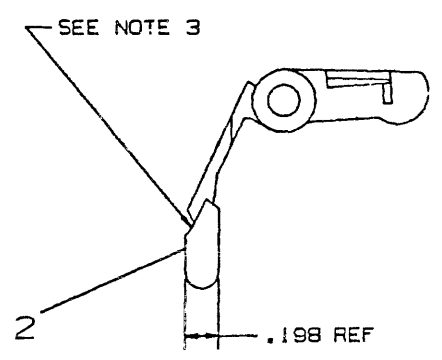
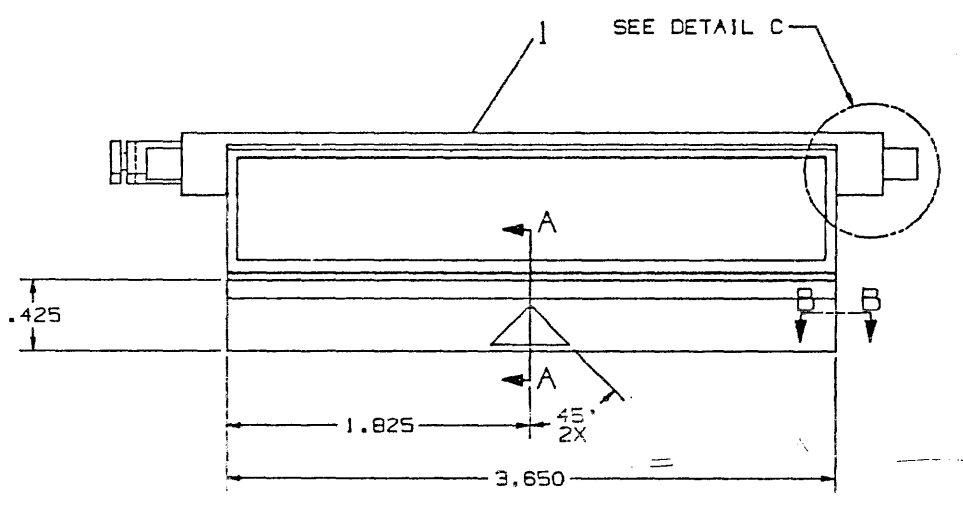
DETAIL C
 LONG SHAFT SHOWN
 -.02 VARIATION ONLY



SECTION B-B
 SCALE 4/1



SECTION A-A
 SCALE 4/1



CAUTION
 OFF SHEET PARTS LIST EXISTS
 REFER TO K-PL-7024656-0-DBP

MAG. MEDIA FILENAME: 7024656-0-DBUB

REV.	CHG.	NO.	INITIAL
A			
B			

C.W. FIELDS 01-31-88
 E. WESTER

DESCRIPTION	DRAWING NO.	PART NO.	DIMENSION RANGE IN INCHES					
			OVER 1.0 TO 1.9	OVER 2.0 TO 2.9	OVER 3.0 TO 4.9	OVER 5.0 TO 9.9	OVER 10.0 TO 49.9	OVER 50.0 TO 99.9
INCHES TOLERANCES			.XX	.XX	.XX	.XX	.XX	.XX
ANGLES 10°-30°								
SURFACE QUALITY								
QUANTITY & VARIATION								
TITLE			D I A					
DO NOT SCALE DRAWING			REMOVE BURRS AND BREAK SHARP CORNERS					
MATERIAL SEE NOTE 1			FINISH NONE					
THIRD ANGLE PROJECTION			DATE 8-15-88					
S. A. SAWYER			DATE 8-15-87					
K. CRANSON			DATE 8-15-88					
P. BARTON			DATE 8-15-88					
F. BELLIVEAU			DATE 8-15-88					
D-AD-7023497-0-DBU			D-1A-7024656-0-DBU					
			SCALE 2/1					

SIZE	CODE	NUMBER	REV.
D I A		7024656-0-DBU	B

SHEET 1 OF 1

D I A 7024656-0-DBU

SHO

LINE ITEM	TOP DOCUMENT	PART NUMBER	MIN REV	DESCRIPTION	QUANTITY PER VARIATION/REVISION	
					01 A2	02 A1
1	3 D-IA-7024657-0-DBU	70-24657-01		HANDLE ENGAGING	1	-
2	4 A-PS-1200015-GS	12-00015-GS		GENERAL SPEC FOR RIGID PLASTIC PAR	A/R	A/R
3	5 D-IA-7024657-0-DBU	70-24657-02		HANDLE ENGAGING LONG SHAFT	-	1

REVISION HISTORY		KPL MATRIX FORMAT		SECTION A OF A	DRN: R BURHANS	D I G I T A L			
ENG	ECO NUMBER	REV	SECTION/VARIATION INDEX		DATE: 16-FEB-87				
---	INITIAL	A	[A]	01,02	CHK'D: K. CRANSON	TITLE PARTS LIST			
EW	7024656-SH001	B	[B]		DATE: 26-AUG-87	HANDLE, ENGAGING ASSY			
			[C]		DES.ENG: P. BARTON	DOCUMENT NUMBER			
			[D]		DATE: 26-AUG-87	SIZE	CODE	NUMBER	REV
			[E]		RESP.ENG.: K. CRANSON	K	PL	7024656-0-DBP	B
			[F]		DATE: 26-AUG-87	RELEASE DATE: 01-FEB-89			
			[H]		MFG.ENG: F BELLIVEAU	RELEASE STATUS: RELEASED			
			[J]		DATE: 21-FEB-87				
		BASIC PART NUMBER:		ASSEMBLY NUMBER:	TOP DOCUMENT NUMBER:		EDIT #		
		7024656		D-IA-7024656-0-DBU	D-IA-7024656-0-DBU		2		
		FILE NAME: SH456B.PLS							

"THIS DRAWING AND THE SPECIFICATIONS CONTAINED HEREIN ARE CONFIDENTIAL AND PROPRIETARY. THEY ARE THE PROPERTY OF DIGITAL EQUIPMENT CORPORATION AND SHALL NOT BE REPRODUCED OR COPIED OR USED IN WHOLE OR IN PART AS THE BASIS FOR THE MANUFACTURE OR SALE OF ITEMS WITHOUT WRITTEN PERMISSION. THIS IS AN UNPUBLISHED WORK PROTECTED UNDER THE FEDERAL COPYRIGHT LAWS."

THIS DRAWING AND THE SPECIFICATIONS CONTAINED HEREIN ARE CONFIDENTIAL AND PROPRIETARY. THEY ARE THE PROPERTY OF DIGITAL EQUIPMENT CORPORATION AND SHALL NOT BE REPRODUCED OR COPIED OR USED IN WHOLE OR IN PART AS THE BASIS FOR THE MANUFACTURE OR SALE OF ITEMS WITHOUT WRITTEN PERMISSION. THIS IS AN UNPUBLISHED WORK PROTECTED UNDER THE FEDERAL COPYRIGHT LAWS.
 COPYRIGHT © 1985 DIGITAL EQUIPMENT CORPORATION

LEGEND		
PART NO.	REV	VARIATION
7024657-01	A3	AS SHOWN
7024657-02	A2	LONG SHAFT

NOTES:

ITEM SHALL CONFORM TO DIGITAL SPECIFICATION A-PS-1200015-GS. THE FOLLOWING UNIQUE REQUIREMENTS SHALL APPLY.

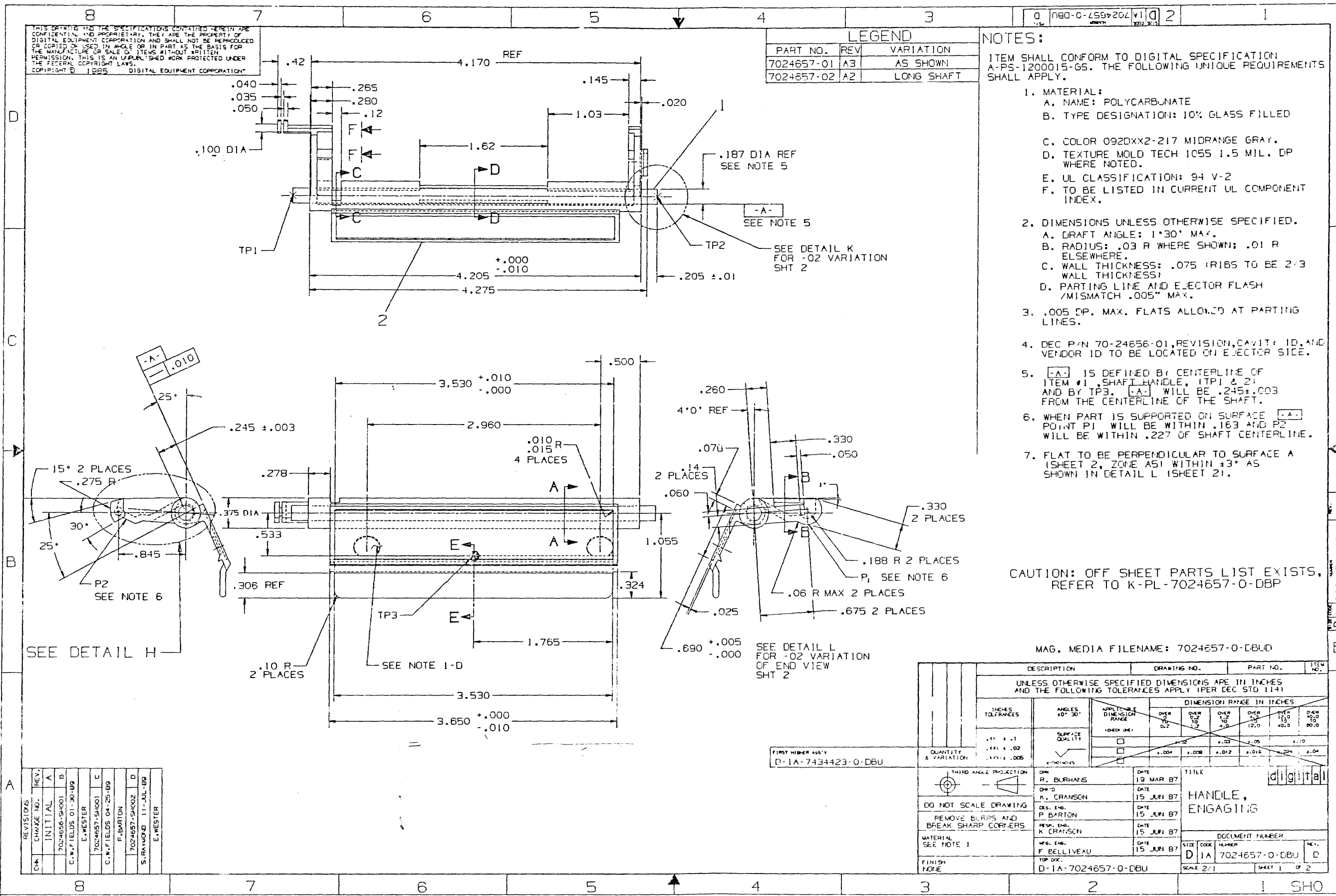
- MATERIAL:
 - A. NAME: POLYCARBONATE
 - B. TYPE DESIGNATION: 10% GLASS FILLED
 - C. COLOR 0920XX2-217 MIDRANGE GRAY.
 - D. TEXTURE MOLD TECH 1055 1.5 MIL. DP WHERE NOTED.
 - E. UL CLASSIFICATION: 94 V-2
 - F. TO BE LISTED IN CURRENT UL COMPONENT INDEX.
- DIMENSIONS UNLESS OTHERWISE SPECIFIED.
 - A. DRAFT ANGLE: 1°30' MAX.
 - B. RADIUS: .03 R WHERE SHOWN; .01 R ELSEWHERE.
 - C. WALL THICKNESS: .075 (RIBS TO BE 2/3 WALL THICKNESS)
 - D. PARTING LINE AND EJECTOR FLASH /MISMATCH .005" MAX.
- .005 DP. MAX. FLATS ALLOWED AT PARTING LINES.
- DEC P/N 70-24656-01, REVISION, CAVITY ID, AND VENDOR ID TO BE LOCATED ON EJECTOR SIDE.
- [A-A] IS DEFINED BY CENTERLINE OF ITEM #1, SHAFT HANDLE, (TP1 & 2) AND BY TP3. [A-A] WILL BE .245±.003 FROM THE CENTERLINE OF THE SHAFT.
- WHEN PART IS SUPPORTED ON SURFACE [A-A] POINT P1 WILL BE WITHIN .163 AND P2 WILL BE WITHIN .227 OF SHAFT CENTERLINE.
- FLAT TO BE PERPENDICULAR TO SURFACE A (SHEET 2, ZONE A5) WITHIN ±3° AS SHOWN IN DETAIL L (SHEET 2).

CAUTION: OFF SHEET PARTS LIST EXISTS, REFER TO K-PL-7024657-0-DBP

MAG. MEDIA FILENAME: 7024657-0-CBLD

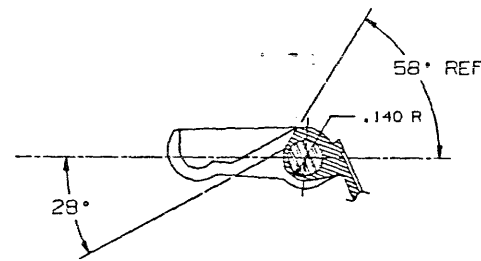
DESCRIPTION	DRAWING NO.	PART NO.	ITEM NO.
UNLESS OTHERWISE SPECIFIED DIMENSIONS ARE IN INCHES AND THE FOLLOWING TOLERANCES APPLY (PER DEC STD 114)			
INCHES TOLERANCES	ANGLES 10° 30'	APPLICABLE DIMENSION RANGE	
		APPLICABLE DIMENSION RANGE	DIMENSION RANGE IN INCHES
SURFACE QUALITY	SURFACE QUALITY	DIMENSION RANGE IN INCHES	
		APPLICABLE DIMENSION RANGE	DIMENSION RANGE IN INCHES
FIRST NUMBER ASSY D-1A-7434423-0-DBU	QUANTITY & VARIATION	TITLE	
THIRD ANGLE PROJECTION	DATE	TITLE	
DO NOT SCALE DRAWING	DATE	HANDLE, ENGAGING	
REMOVE BURRS AND BREAK SHARP CORNERS	DATE	DOCUMENT NUMBER	
MATERIAL SEE NOTE 1	DATE	SIZE CODE NUMBER	
FINISH NOTE	DATE	SCALE 2/1 SHEET 1 OF 2	

REV	NO.	DATE	BY	CHKD
A	INITIAL			
B	7024056-SH001			
C	7024057-SH001			
D	7024057-SH002			
E	7024057-SH003			

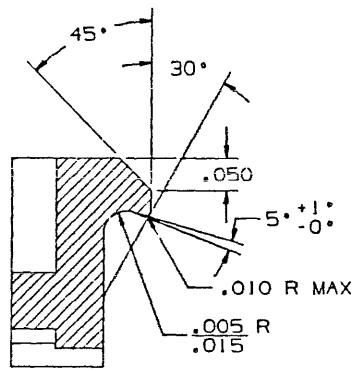


THIS DRAWING AND THE SPECIFICATIONS CONTAINED HEREIN ARE CONFIDENTIAL AND PROPRIETARY. THEY ARE THE PROPERTY OF DIGITAL EQUIPMENT CORPORATION AND SHALL NOT BE REPRODUCED OR COPIED OR USED IN WHOLE OR IN PART AS THE BASIS FOR THE MANUFACTURE OR SALE OF ITEMS WITHOUT WRITTEN PERMISSION. THIS IS AN UNPUBLISHED WORK PROTECTED UNDER THE FEDERAL COPYRIGHT LAWS.
 COPYRIGHT © 1985 DIGITAL EQUIPMENT CORPORATION

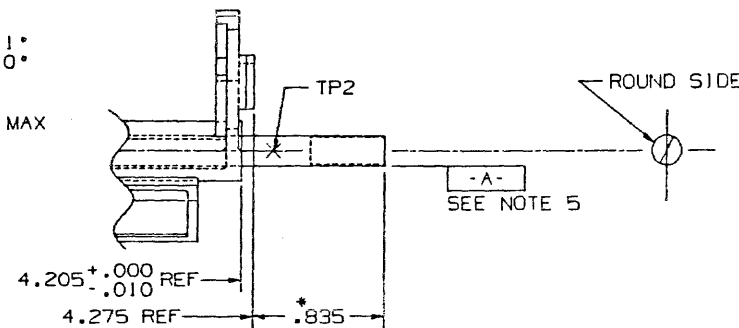
0 702-4657-0-DBU 2



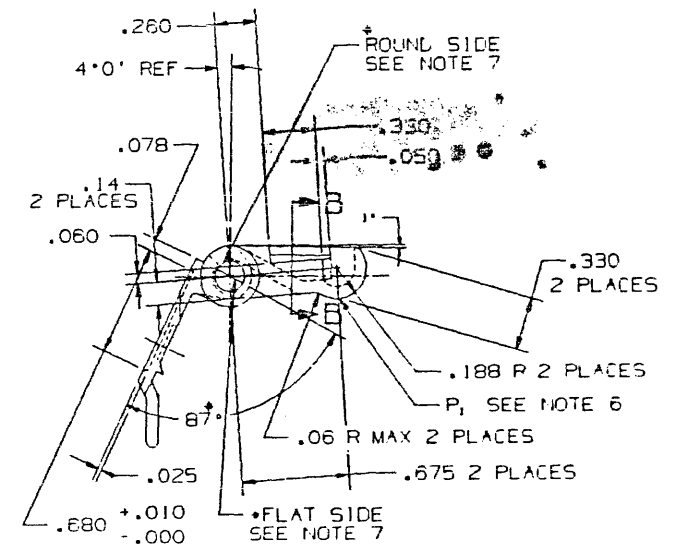
SECTION A-A



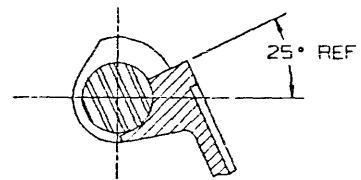
SECTION B-B
SCALE 8/1



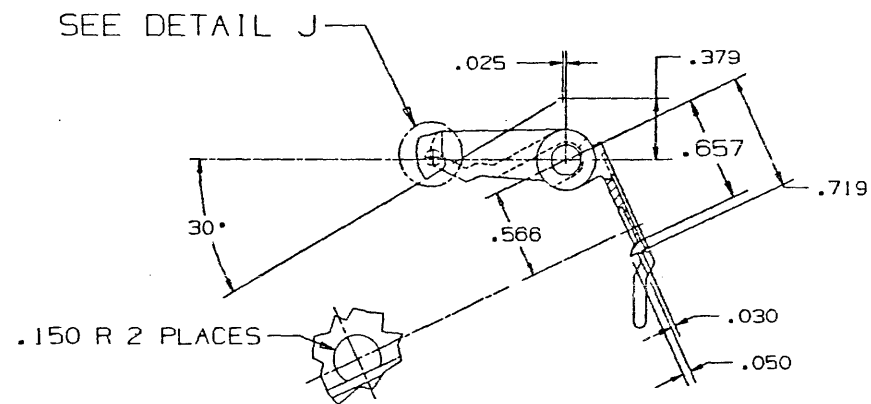
DETAIL K
* = FOR -C2 VARIATION ONLY



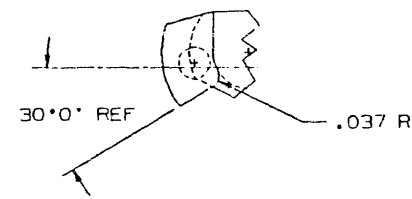
DETAIL L
* = FOR -02 VARIATION ONLY



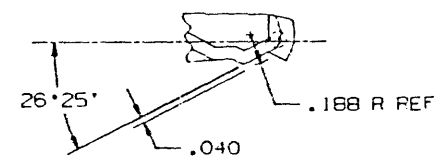
SECTION C-C
SCALE 4/1



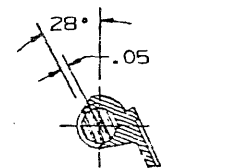
DETAIL H



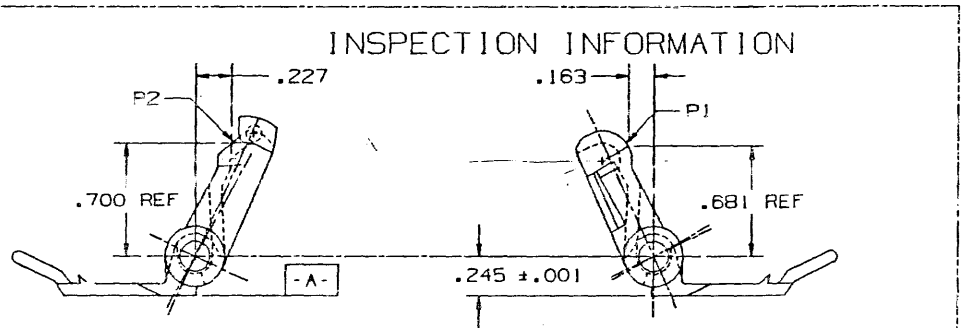
DETAIL J
SCALE 4/1



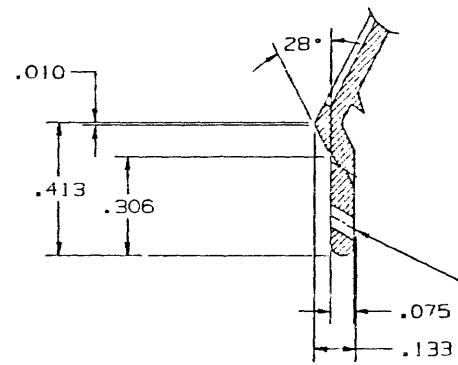
VIEW F-F



SECTION D-D



INSPECTION INFORMATION



SECTION E-E
SCALE 4/1

REVISIONS		
CHK	CHANGE NO	REV
	SEE SHEET 1	

TITLE	HANDLE, ENGAGING	SIZE CODE	DIA	NUMBER	702-4657-0-DBU	REV	D
SCALE	2/1	SHEET	2	OF	2	DIST	

SHO

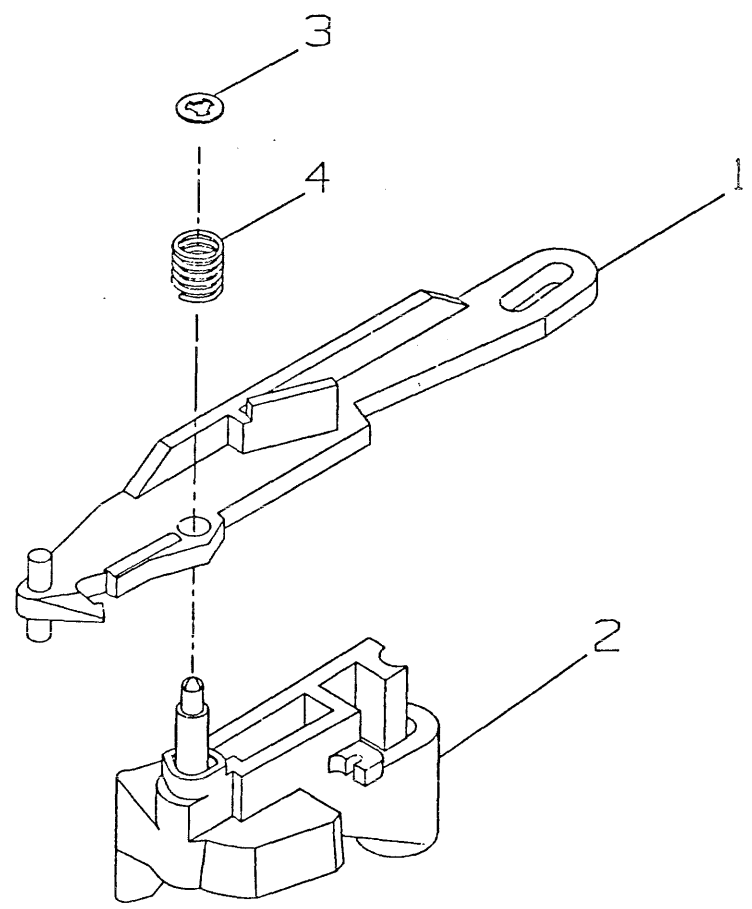
LINE	ITEM	TOP DOCUMENT	PART NUMBER	MIN REV	DESCRIPTION	01 A03	02 A02
1	1	B-MD-7434433-0-DBU	74-34433-01		HANDLE,SHAFT	1	-
2	2	A-PS-1200015-GS	12-00015-GS		GENERAL SPEC FOR RIGID PLASTIC PAR	A/R	A/R
3	3	B-MD-7434433-0-DBU	74-34433-02		HANDLE,SHAFT, LONG SHAFT	-	1

REVISION HISTORY			KPL MATRIX FORMAT		SECTION A OF A	DRN: R BURHANS	D I G I T A L			
ENG	ECO NUMBER	REV	SECTION/VARIATION INDEX			DATE: 16-FEB-87				
---	INITIAL	A	[A]	01,02		CHK'D: K. CRANSON	TITLE PARTS LIST			
EW	7024656-SH001	B	[B]			DATE: 12-AUG-87	HANDLE ENGAGING			
PB	7024657-SH001	C	[C]			DES.ENG: P. BARTON				
EW	7024657-SH002	D	[D]			DATE: 12-AUG-87	DOCUMENT NUMBER			
			[E]			RESP.ENG.: K. CRANSON	SIZE	CODE	NUMBER	REV
			[F]			DATE: 12-AUG-87	K	PL	7024657-0-DBP	D
			[H]			MFG.ENG: F BELLIVEAU	RELEASE DATE: 23-JAN-90			
			[J]			DATE: 21-FEB-87	RELEASE STATUS: RELEASED			
			BASIC PART NUMBER: 7024657		ASSEMBLY NUMBER: D-IA-7024657-0-DBU	TOP DOCUMENT NUMBER: D-IA-7024657-0-DBU		EDIT # 1		
			FILE NAME: 7024657D.PLS							

"THIS DRAWING AND THE SPECIFICATIONS CONTAINED HEREIN ARE CONFIDENTIAL AND PROPRIETARY. THEY ARE THE PROPERTY OF DIGITAL EQUIPMENT CORPORATION AND SHALL NOT BE REPRODUCED OR COPIED OR USED IN WHOLE OR IN PART AS THE BASIS FOR THE MANUFACTURE OR SALE OF ITEMS WITHOUT WRITTEN PERMISSION. THIS IS AN UNPUBLISHED WORK PROTECTED UNDER THE FEDERAL COPYRIGHT LAWS."

THIS DRAWING AND THE SPECIFICATIONS CONTAINED HEREIN ARE CONFIDENTIAL AND PROPRIETARY. THEY ARE THE PROPERTY OF DIGITAL EQUIPMENT CORPORATION AND SHALL NOT BE REPRODUCED OR COPIED OR USED IN WHOLE OR IN PART AS THE BASIS FOR THE MANUFACTURE OR SALE OF ITEMS WITHOUT WRITTEN PERMISSION. THIS IS AN UNPUBLISHED WORK PROTECTED UNDER THE FEDERAL COPYRIGHT LAWS.
 COPYRIGHT © 1986 DIGITAL EQUIPMENT CORPORATION*

LEGEND		
PART NO.	REV	VARIATION
7023544-01	A1	AS SHOWN



CAUTION
 OFF SHEET PARTS LIST EXISTS
 SEE K-PL-7023544-0-DBP

REVISIONS	
#	CHANGE NO.
	INITIAL
	7023544-SH001
	ION HAYNES 4/24/87
	EDWIN WESTER

FIRST HIGHER ASS'Y
 E-UA-TK50-0-DBU

DESCRIPTION	DRAWING NO.	PART NO.	ITEM NO.
UNLESS OTHERWISE SPECIFIED DIMENSIONS ARE IN INCHES AND THE FOLLOWING TOLERANCES APPLY (PER DEC STD 114)			
INCHES TOLERANCES	ANGLES ±0° 30'	APPLICABLE DIMENSION RANGE	
		DIMENSION RANGE IN INCHES	
.X: ±.1 .XX: ±.02 .XXX: ±.005	SURFACE QUALITY <input checked="" type="checkbox"/> MICROINCHES	OVER 0 TO 0.2	OVER 0.2 TO 1.2
		OVER 1.2 TO 4.0	OVER 4.0 TO 12.0
		OVER 12.0 TO 40.0	OVER 40.0 TO 80.0
		±.02	±.03
		±.004	±.012
		±.018	±.024
		±.04	
THIRD ANGLE PROJECTION	DRN R. PUDELKO	DATE 23-AUG-86	TITLE LEADER LATCH ASSY
DO NOT SCALE DRAWING	CHK'D E. WESTER	DATE 10-OCT-86	
REMOVE BURRS AND BREAK SHARP CORNERS	DES. ENG. E. WESTER	DATE 10-OCT-86	
MATERIAL SEE PARTS LIST	RESP. ENG. E. WESTER	DATE 10-OCT-86	
FINISH NONE	MFG. ENG. A. SNELL	DATE 11-NOV-86	
	TOP DOC. C-AD-7023544-0-DBU		DOCUMENT NUMBER 7023544-0-DBU
			SCALE 2:1 SHEET 1 OF 1

REV. B
 NUMBER C AD 7023544-0-DBU

A

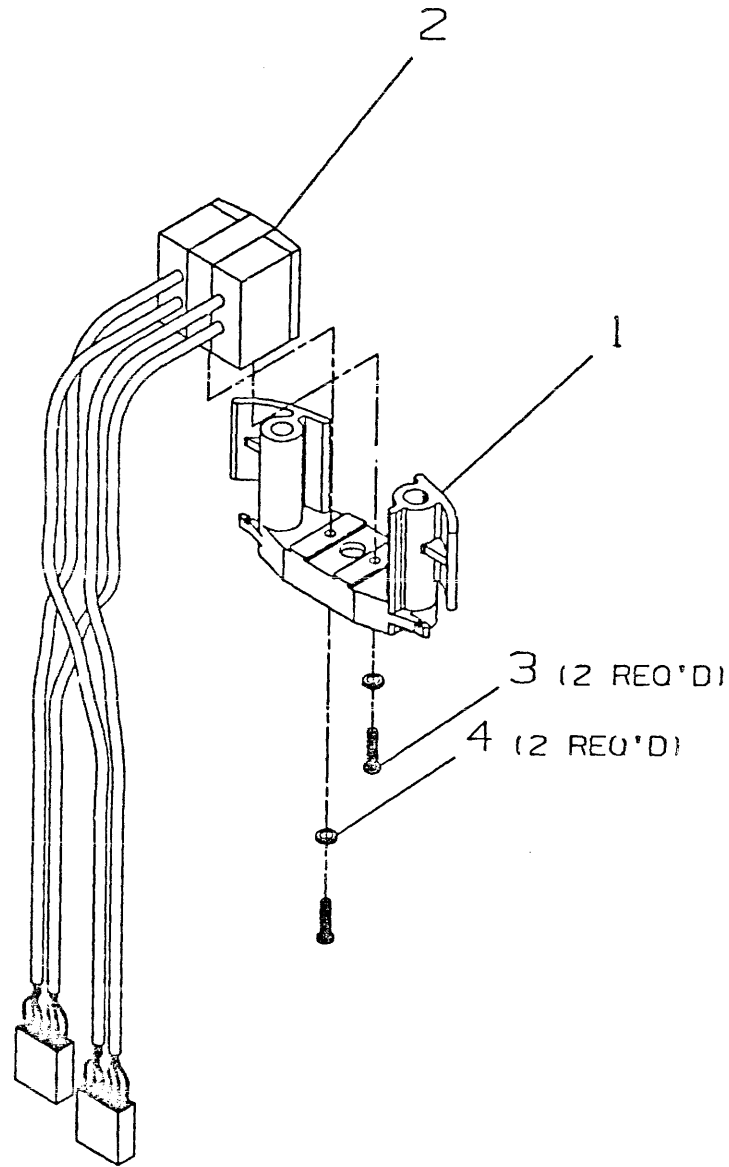
LINE	ITEM	TOP DOCUMENT	PART NUMBER	MIN REV	DESCRIPTION	QTY
1	1	D-MD-7434495-0-DBU	74-34495-01		ARM, BUCKLING	1
2	2	D-MD-7432418-0-DBU	74-32418-01		LINK, DRIVER	1
3	3		12-21021-03		RING, RETAINER INTERNAL FOR .094SH	1
4	4		12-19950-02		SPRING, COMPRESSION .1750D	1

REVISION HISTORY			KPL MATRIX FORMAT		SECTION A OF A	DRN: R. PUDELKO	D I G I T A L			
ENG	ECO NUMBER	REV	SECTION/VARIATION INDEX		DATE: 25-AUG-86	CHK'D: E. WESTER	TITLE PARTS LIST			
---	INITIAL	A	[A]	01	DATE: 10-OCT-86	DATE: 10-OCT-86	LEADER LATCH ASSY			
EW	7023544-SH001	B	[B]		DES. ENG: E. WESTER	DATE: 10-OCT-86	DOCUMENT NUMBER			
			[C]		RESP. ENG.: E. WESTER	DATE: 10-OCT-86	SIZE	CODE	NUMBER	REV
			[D]		MFG. ENG: A. SNELL	DATE: 11-NOV-86	K	PL	7023544-0-DBP	B
			[E]				RELEASE DATE: 26-APR-87			
			[F]				RELEASE STATUS: RELEASED			
			[H]							
			[J]							
			BASIC PART NUMBER:	ASSEMBLY NUMBER:	TOP DOCUMENT NUMBER:	FILE NAME:	EDIT #			
			7023544	C-AD-7023544-0-DBU	C-AD-7023544-0-DBU	SH397B.PLS	1			

"THIS DRAWING AND THE SPECIFICATIONS CONTAINED HEREIN ARE CONFIDENTIAL AND PROPRIETARY. THEY ARE THE PROPERTY OF DIGITAL EQUIPMENT CORPORATION AND SHALL NOT BE REPRODUCED OR COPIED OR USED IN WHOLE OR IN PART AS THE BASIS FOR THE MANUFACTURE OR SALE OF ITEMS WITHOUT WRITTEN PERMISSION. THIS IS AN UNPUBLISHED WORK PROTECTED UNDER THE FEDERAL COPYRIGHT LAWS."

THIS DRAWING AND THE SPECIFICATIONS CONTAINED HEREIN ARE CONFIDENTIAL AND PROPRIETARY. THEY ARE THE PROPERTY OF DIGITAL EQUIPMENT CORPORATION AND SHALL NOT BE REPRODUCED OR COPIED OR USED IN WHOLE OR IN PART AS THE BASIS FOR THE MANUFACTURE OR SALE OF ITEMS WITHOUT WRITTEN PERMISSION. THIS IS AN UNPUBLISHED WORK PROTECTED UNDER THE FEDERAL COPYRIGHT LAWS. COPYRIGHT © 1986 DIGITAL EQUIPMENT CORPORATION*

LEGEND		
PART NO.	REV	VARIATION
7023482-01	A1	AS SHOWN



CAUTION
OFF SHEET PARTS LIST EXISTS
SEE K-PL-7023482-0-DBP

MAG. MEDIA FILENAME: 7023482-0-DBUA

REVISIONS	CHANGE NO.	REV.	INITIAL
		A	

FIRST HIGHER ASS'Y
E-UA-TK70-0-DBU

DESCRIPTION	DRAWING NO.	PART NO.	ITEM NO.
UNLESS OTHERWISE SPECIFIED DIMENSIONS ARE IN INCHES AND THE FOLLOWING TOLERANCES APPLY (PER DEC STD 114)			
INCHES TOLERANCES . XX XXX	ANGLES ±0° 30'	APPLICABLE DIMENSION RANGE CHECK ONE <input type="checkbox"/> <input checked="" type="checkbox"/> <input type="checkbox"/> <input type="checkbox"/>	DIMENSION RANGE IN INCHES
			OVER 0 TO 0.2 OVER 0.2 TO 1.2 OVER 1.2 TO 4.0 OVER 4.0 TO 12.0 OVER 12.0 TO 40.0 OVER 40.0 TO 80.0
			±.02 ±.03 ±.05 ±.10 ±.004 ±.008 ±.012 ±.018 ±.024 ±.04
THIRD ANGLE PROJECTION 	DRN R. PUDELKO DATE 21 FEB 87	TITLE BRACKET, HEAD ASSEMBLY	
DO NOT SCALE DRAWING	CHK'D K. CRANSON DATE 15 JUN 87	DOCUMENT NUMBER 7023482-0-DBU	
REMOVE BURRS AND BREAK SHARP CORNERS	DES. ENG. P. BARTON DATE 15 JUN 87	REV. A	
MATERIAL SEE PARTS LIST	RESP. ENG. K. CRANSON DATE 15 JUN 87	SCALE 1:1	
FINISH	MFG. ENG. F. BELLIVEAU DATE 17 JUN 87	SHEET 1 OF 1	

REV. A
ITEM NO.
C AD 7023482-0-DBU
MAKER
SIZE CODE
A

AUTOMATED BY VAXKPL (V1.3)

PARTS LIST

SHEET A1 OF A1
QUANTITY PER VARIATION/REVISION

LINE ITEM	TOP DOCUMENT	PART NUMBER	MIN REV	DESCRIPTION	QTY
1	D-MD-7427718-0-DBU	74-27718-01		BRACKET, HEAD	1
2	A-SP-7023482-0-DBF			HEAD, MAGNETIC	1
3	A-PS-9010089-0-0	90-10089-01		SCREW, THD RL, PAN PHIL F/METAL	2
4	A-PS-9006686-0-0	90-06686-00		WASHER, HELICAL SPLIT SST	2

REVISION HISTORY		KPL MATRIX FORMAT		SECTION A OF A	DRN: R. PUDELKO	DIGITAL			
ENG	ECO NUMBER	REV	SECTION/VARIATION INDEX	DATE: 10-APR-87	CHK'D: K. CRANSON	TITLE PARTS LIST			
---	INITIAL	A	[A] 01	DATE: 27-AUG-87	DATE: 27-AUG-87	BRACKET, HEAD ASSEMBLY			
			[B]		DES. ENG: P. BARTON	DOCUMENT NUMBER			
			[C]		DATE: 27-AUG-87	SIZE	CODE	NUMBER	REV
			[D]		RESP. ENG.: K. CRANSON	K	PL	7023482-0-DBP	A
			[E]		DATE: 27-AUG-87	RELEASE DATE: 29-AUG-87			
			[F]		MFG. ENG: F. BELLIVEAU	RELEASE STATUS: RELEASED			
			[H]		DATE: 27-AUG-87				
			[J]						
BASIC PART NUMBER:		ASSEMBLY NUMBER:		TOP DOCUMENT NUMBER:		FILE NAME:		EDIT #	
7023482		C-AD-7023482-0-DBU		C-AD-7023482-0-DBU		SH459A.PLS		11	

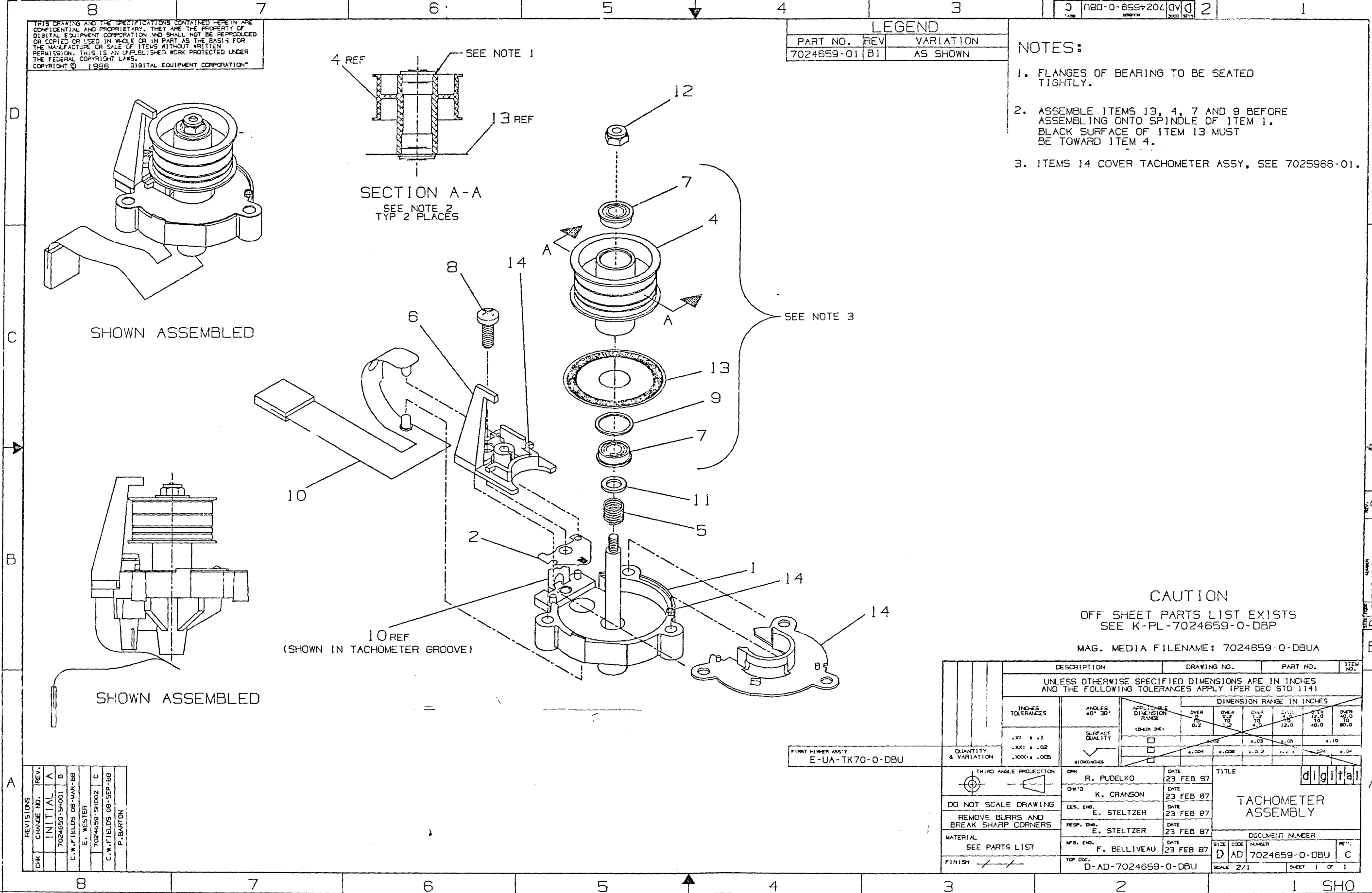
"THIS DRAWING AND THE SPECIFICATIONS CONTAINED HEREIN ARE CONFIDENTIAL AND PROPRIETARY. THEY ARE THE PROPERTY OF DIGITAL EQUIPMENT CORPORATION AND SHALL NOT BE REPRODUCED OR COPIED OR USED IN WHOLE OR IN PART AS THE BASIS FOR THE MANUFACTURE OR SALE OF ITEMS WITHOUT WRITTEN PERMISSION. THIS IS AN UNPUBLISHED WORK PROTECTED UNDER THE FEDERAL COPYRIGHT LAWS."

THIS DRAWING AND THE SPECIFICATIONS CONTAINED HEREIN ARE CONFIDENTIAL AND PROPRIETARY. THEY ARE THE PROPERTY OF DIGITAL EQUIPMENT CORPORATION AND SHALL NOT BE REPRODUCED OR COPIED OR USED IN WHOLE OR IN PART AS THE BASIS FOR THE MANUFACTURE OR SALE OF ITEMS WITHOUT WRITTEN PERMISSION. THIS IS AN UNPUBLISHED WORK PROTECTED UNDER THE FEDERAL COPYRIGHT LAWS.
 COPYRIGHT © 1985 DIGITAL EQUIPMENT CORPORATION

LEGEND		
PART NO.	REV	VARIATION
7024659-01	B1	AS SHOWN

NOTES:

- 1. FLANGES OF BEARING TO BE SEATED TIGHTLY.
- 2. ASSEMBLE ITEMS 13, 4, 7 AND 9 BEFORE ASSEMBLING ONTO SPINDLE OF ITEM 1. BLACK SURFACE OF ITEM 13 MUST BE TOWARD ITEM 4.
- 3. ITEMS 14 COVER TACHOMETER ASSY, SEE 7025966-01.



CAUTION
 OFF SHEET PARTS LIST EXISTS
 SEE K-PL-7024659-0-DBP
 MAG. MEDIA FILENAME: 7024659-0-DBUA

FIRST HIGHER ASSY
 E-UA-TK70-0-DBU

DESCRIPTION	DRAWING NO.	PART NO.	ITEM NO.		
UNLESS OTHERWISE SPECIFIED DIMENSIONS ARE IN INCHES AND THE FOLLOWING TOLERANCES APPLY (PER DEC STD 114)					
INCHES TOLERANCES	ANGLES, 90°-30'	APPLICABLE DIMENSION RANGES			
		OVER 12.0	OVER 4.0	OVER 1.0	OVER .10
.XX ± .01	SURFACE QUALITY MICROINCHES	0.2	0.2	0.2	0.2
.XX ± .02		0.2	0.2	0.2	0.2
.XXX ± .005	✓	0.2	0.2	0.2	0.2
THIRD ANGLE PROJECTION		DRAWN	DATE	TITLE	
		R. PUDELKO	23 FEB 87	TACHOMETER ASSEMBLY	
DO NOT SCALE DRAWING		CHK'D	DATE	DOCUMENT NUMBER	
REMOVE BURRS AND BREAK SHARP CORNERS		K. CRANSON	23 FEB 87	D AD 7024659-0-DBU	
MATERIAL SEE PARTS LIST		DES. ENG.	DATE	SCALE 2/1	
		E. STELTZER	23 FEB 87	SHEET 1 OF 1	
		RESP. ENG.	DATE	SHEET 1 OF 1	
		E. STELTZER	23 FEB 87		
		INFO. ENG.	DATE		
		F. BELLIVEAU	23 FEB 87		
		TOP COG.	DATE		
		D-AD-7024659-0-DBU			

REVISIONS		
CHK	CHANGE NO.	REV.
INITIAL	A	
7024659-0-DBU	B	
C.W.FIELDS	08-MAR-88	
E. WESTER		
7024659-0-DBU	C	
C.W.FIELDS	08-SEP-88	
P. BARTON		

AUTOMATED BY VAXKPL (V2.0)

PARTS LIST

SHEET A1 OF A1

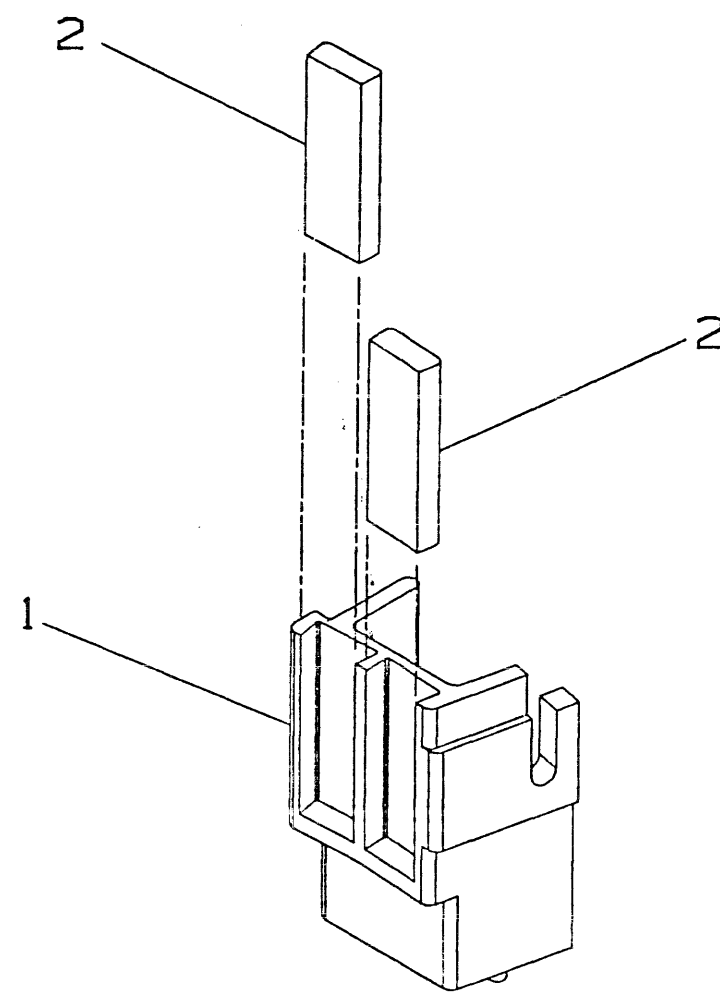
LINE	ITEM	TOP DOCUMENT	PART NUMBER	MIN REV	DESCRIPTION	QUANTITY PER VARIATION/REVISION
1	1	E-IA-7432341-0-DBU	74-32341-01		BODY, TACOMETER	1
2	2	D-MD-7429220-0-DBU	74-29220-01		MASK, ENCODER	1
3	3	C-MD-7432342-0-DBU	74-32342-01		*** THIS ITEM IS NOT USED ***	-
4	4	D-MD-7434038-0-DBU	74-34038-01		CAPSTAN, TACHOMETER	1
5	5		12-13656-05		SPRING, COMPRESSION .23500X .83 LG	1
6	6	D-MD-7432343-0-DBU	74-32343-01		GUIDE, TACOMETER	1
7	7		12-22788-01		BEARING, BALL, FLANGED	2
8	8		90-09800-00		SCREW, THD RL, FLAT PHIL F/PLAS	1
9	9	B-MD-7431389-0-DBU	74-31389-01		RING, SUPPORT, CAPSTAN	1
10	10		17-01088-01		CIRCUIT FLEX ASSY	1
11	11		12-24692-03		WASHER, FLAT	1
12	12		90-08054-00		NUT, HEX SLF LCKNG NYL INS 4-40X	1
13	13	D-MD-7427698-0-DBU	74-27698-01		DISK, ENCODER, TACHOMETER	1
14	14	C-IA-7025966-0-DBU	70-25966-01 A		COVER TACHOMETER ASSEMBLY	1

REVISION HISTORY			KPL MATRIX FORMAT	SECTION A OF A	DRN: C.W.FIELDS	DIGITAL			
ENG	ECO NUMBER	REV	SECTION/VARIATION INDEX		DATE: 23-FEB-87				
---	INITIAL	A	[A] 01		CHK'D: K.CRANSON	TITLE PARTS LIST			
EW	7024659-SH001	B	[B]		DATE: 23-FEB-87	TACHOMETER ASSEMBLY			
PB	7024659-SH002	C	[C]		DES.ENG: E.STELTZER				
			[D]		DATE: 23-FEB-87	DOCUMENT NUMBER			
			[E]			SIZE	CODE	NUMBER	REV
			[F]		RESP.ENG.: E.STELTZER	K	PL	7024659-0-DBP	C
			[H]		DATE: 23-FEB-87				
			[J]		MFG.ENG: L.RAMSAY	RELEASE DATE: 11-OCT-88			
					DATE: 23-FEB-87	RELEASE STATUS: RELEASED			
					BASIC PART NUMBER:	ASSEMBLY NUMBER:	TOP DOCUMENT NUMBER:	EDIT #	
					7024659	D-AD-7024659-0-DBU	D-AD-7024659-0-DBU	2	
					FILE NAME: SH458C.PLS				

"THIS DRAWING AND THE SPECIFICATIONS CONTAINED HEREIN ARE CONFIDENTIAL AND PROPRIETARY. THEY ARE THE PROPERTY OF DIGITAL EQUIPMENT CORPORATION AND SHALL NOT BE REPRODUCED OR COPIED OR USED IN WHOLE OR IN PART AS THE BASIS FOR THE MANUFACTURE OR SALE OF ITEMS WITHOUT WRITTEN PERMISSION. THIS IS AN UNPUBLISHED WORK PROTECTED UNDER THE FEDERAL COPYRIGHT LAWS."

THIS DRAWING AND THE SPECIFICATIONS CONTAINED HEREIN ARE CONFIDENTIAL AND PROPRIETARY. THEY ARE THE PROPERTY OF DIGITAL EQUIPMENT CORPORATION AND SHALL NOT BE REPRODUCED OR COPIED OR USED IN WHOLE OR IN PART AS THE BASIS FOR THE MANUFACTURE OR SALE OF ITEMS WITHOUT WRITTEN PERMISSION. THIS IS AN UNPUBLISHED WORK PROTECTED UNDER THE FEDERAL COPYRIGHT LAWS.
 COPYRIGHT © 1985 DIGITAL EQUIPMENT CORPORATION*

LEGEND		
PART NO.	REV	VARIATION
7021141-01	A1	AS SHOWN



CAUTION
 OFF SHEET PARTS LIST EXISTS
 SEE K-PL-7021141-0-DBP

REV.	CHG. NO.	INITIAL
A		

FIRST HIGHER ASS'Y
 E-UA-TK50-0-DBU

DESCRIPTION	DRAWING NO.	PART NO.	ITEM NO.				
UNLESS OTHERWISE SPECIFIED DIMENSIONS ARE IN INCHES AND THE FOLLOWING TOLERANCES APPLY (PER DEC STD 114)							
INCHES TOLERANCES .X: ± .1 .XX: ± .02 .XXX: ± .005	ANGLES ±0° 30'	DIMENSION RANGE IN INCHES					
		APPLICABLE DIMENSION RANGE <input type="checkbox"/> (CHECK ONE)	OVER 0 TO 0.2	OVER 0.2 TO 1.2	OVER 1.2 TO 4.0	OVER 4.0 TO 12.0	OVER 12.0 TO 40.0
SURFACE QUALITY <input checked="" type="checkbox"/> MICROINCHES		<input type="checkbox"/> ±.02	<input type="checkbox"/> ±.03	<input type="checkbox"/> ±.05	<input type="checkbox"/> ±.10	<input type="checkbox"/> ±.12	<input type="checkbox"/> ±.15
THIRD ANGLE PROJECTION 	DATE	TITLE					
DO NOT SCALE DRAWING	H.A. OLSON 3/14/84	EXTERNAL SHIELD ASSEMBLY					
REMOVE BURRS AND BREAK SHARP CORNERS	E. WESTER 3/14/84	DOCUMENT NUMBER					
MATERIAL SEE PARTS LIST	E. WESTER 3/14/84	C IA 7021141-0-DBU					
FINISH	G. SCHNEIDER 3/14/84	REV. A					
	W. HARRIS 3/14/84	SCALE 2:1 SHEET 1 OF 1					

SIZE CODE C IA 7021141-0-DBU REV. A

LINE	ITEM	TOP DOCUMENT	PART NUMBER	MIN REV	DESCRIPTION	QTY PER VARIATION
1	1	D-MD-7429208-0-DBU	7429208-01		BRACKET, EXTERNAL SHIELD	1
2	2	B-MD-7429371-0-DBU	7429371-01		SHEILD,HEAD	2

REVISION HISTORY		BASIC PART NO: 7021141		DRN: C.W.FIELDS	DATE: 16-MAR-85	D I G I T A L	
ENG	ECO NUMBER	REV	SECTION A OF A	CHK'D: E.WESTER	DATE: 16-MAR-85	TITLE PARTS LIST	
---	INITIAL	A	SECTION VARIATION INDEX	DES.ENG: E.WESTER	DATE: 16-MAR-85	EXTERNAL SHIELD ASSY	
			(A)01	RESP.ENG.: G.SCHNEIDER	DATE: 16-MAR-85	DOCUMENT NUMBER	REV
			(B)	MFG.ENG.: W.HARRIS	DATE: 16-MAR-85	SIZE CODE NUMBER	
			(C)	ASSEMBLY NUMBER:	TOP DOCUMENT NUMBER:	FILE NAME:	EDIT #
			(D)	C-IA-7021141-0-DBU	C-IA-7021141-0-DBU	Z7647A.PLS	5
			(E)			RELEASE DATE: 28-MAR-85	
			(F)				

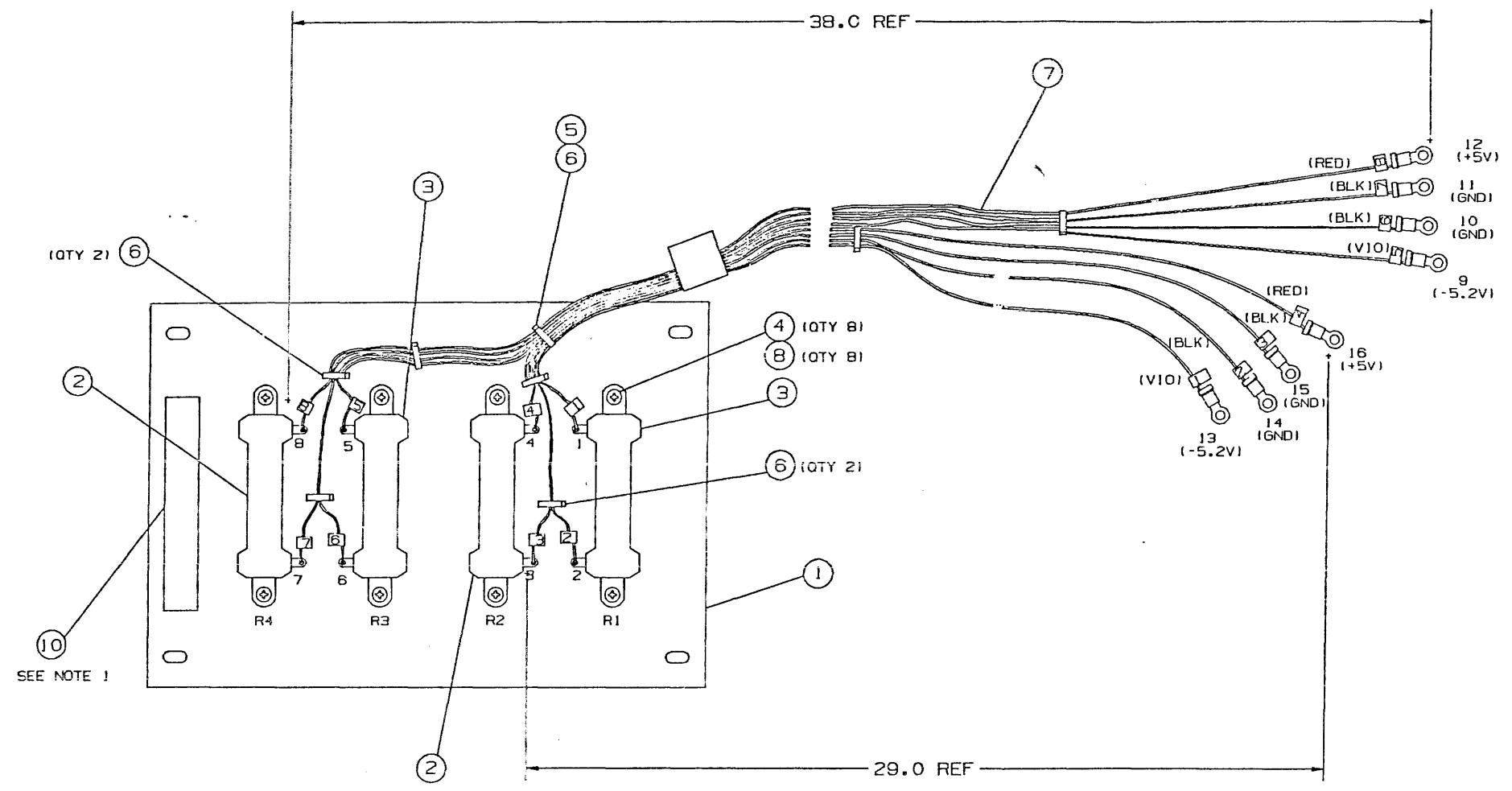
"THIS DRAWING AND THE SPECIFICATIONS CONTAINED HEREIN ARE CONFIDENTIAL AND PROPRIETARY. THEY ARE THE PROPERTY OF DIGITAL EQUIPMENT CORPORATION AND SHALL NOT BE REPRODUCED OR COPIED OR USED IN WHOLE OR IN PART AS THE BASIS FOR THE MANUFACTURE OR SALE OF ITEMS WITHOUT WRITTEN PERMISSION. THIS IS AN UNPUBLISHED WORK PROTECTED UNDER THE FEDERAL COPYRIGHT LAWS."

THIS DRAWING AND SPECIFICATIONS CONTAINED HEREIN ARE CONFIDENTIAL AND PROPRIETARY. THEY ARE THE PROPERTY OF DATA RESEARCH CORPORATION AND SHALL NOT BE REPRODUCED OR COPIED IN WHOLE OR IN PART OR IN ANY MANNER FOR THE PURPOSES OF THE MANUFACTURE OR SALE OF ITEMS IN WHOLE OR IN PART WITHOUT THE WRITTEN PERMISSION OF DATA RESEARCH CORPORATION. THIS IS AN UNCLASSIFIED WORK PROTECTED UNDER THE FEDERAL COPYRIGHT LAWS, © 1988

WIRE TABLE												
RUN NO.	ITEM NO.	AWG	COLOR	LGTH	FROM			TO			REMARKS	
					POINT	STRIP	TERM	POINT	STRIP	TERM		
1	7	18	V10	29.0	R1-1		SOLDER	13			-5.2V (VAR -01 & -02)	
2	7	18	BLK	32.0	R1-2		SOLDER	14			GND (VAR -01 & -02)	
3	7	18	BLK	32.0	R2-3		SOLDER	15			GND (VAR -01 & -02)	
4	7	18	RED	30.0	R2-4		SOLDER	18			+5V (VAR -01 & -02)	
5	7	18	V10	37.0	R3-5		SOLDER	9			-5.2V (VAR -01 ONLY)	
6	7	18	BLK	41.0	R3-6		SOLDER	10			GND (VAR -01 ONLY)	
7	7	18	BLK	41.0	R4-7		SOLDER	11			GND (VAR -01 ONLY)	
8	7	18	RED	38.0	R4-8		SOLDER	12			+5V (VAR -01 ONLY)	

LEGEND		
PART NO	REV	VARIATION
7023417-01	D2	AS SHOWN SHEET 1
7023417-02	D2	AS SHOWN SHEET 2

NOTES:
1. UNITS TO BE SERIALIZED PER DEC STD'S 031, 047, AND 131.



VARIATION -01

LAYER #1: WORK LAYER SHT. 1
LAYER #2: FORMAT LAYER SHT. 1
LAYER #3: WORK LAYER SHT. 2
LAYER #4: FORMAT LAYER SHT. 2
PLOT AT 1.00

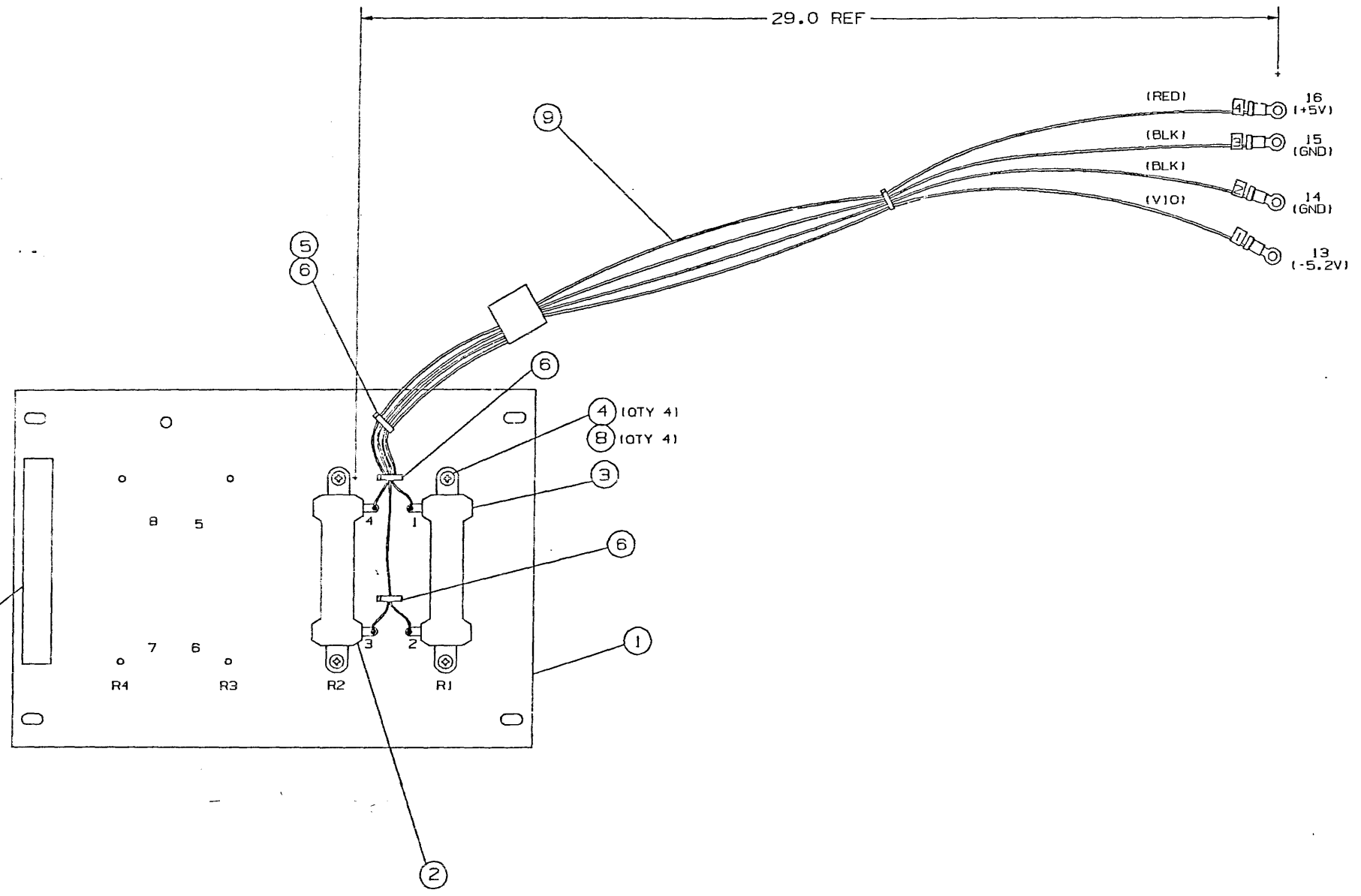
CAUTION: OFF SHEET PARTS LIST EXISTS, SEE K-PL-7023417-0-DBP.

REV	DATE	BY	CHK	INITIAL	KEY
1					
2					
3					
4					
5					
6					
7					
8					
9					
10					
11					
12					
13					
14					
15					
16					
17					
18					
19					
20					

DESCRIPTION		DRAWING NO.		PART NO.	
UNLESS OTHERWISE SPECIFIED DIMENSIONS ARE IN INCHES AND THE FOLLOWING TOLERANCES APPLY (PER DEC STD 114)					
DIMENSION RANGE IN INCHES					
0.00 - 0.25	0.25 - 0.50	0.50 - 1.00	1.00 - 2.00	2.00 - 4.00	4.00 - 16.00
±0.005	±0.005	±0.005	±0.005	±0.005	±0.005
QUANTITY & VARIATION		E-AD-7022108-0-DBU			
THIRD ANGLE PROJECTION		DWG. NO.		TITLE	
DO NOT SCALE DRAWING		18 JAN 88		PLATE MOUNTING ASSY	
REMOVE DIMS AND BREAK SHARP CORNERS		18 JAN 88		DOCUMENT NUMBER	
MATERIAL SEE PARTS LIST		18 JAN 88		E 1A 7023417-0-DBU E	
FINISH NONE		E-1A-7023417-0-DBU		SHEET 1 OF 2	

THIS DRAWING AND SPECIFICATIONS CONTAINED HEREIN ARE CONFIDENTIAL AND PROPRIETARY. THEY ARE THE PROPERTY OF DIGITAL EQUIPMENT CORPORATION AND SHALL NOT BE REPRODUCED OR COPIED OR USED IN WHOLE OR IN PART AS BASIS FOR THE MANUFACTURE OR SALE OF ITEMS WITHOUT WRITTEN PERMISSION. THIS IS AN UNCLASSIFIED DOCUMENT UNDER THE FEDERAL COPYRIGHT LAWS. © 1988

E 1A 7023417-0-DBU E



SEE NOTE 1 (SHEET 1)

VARIATION -02

PLOT AT: 1.00

REVISION HISTORY		
DATE	ECO HISTORY	REV

TITLE		DOCUMENT NUMBER	
PLATE MOUNTING ASSY		E 1A 7023417-0-DBU E	
SCALE 1/1	SHEET 2 OF 2		

LINE	ITEM	TOP DOCUMENT	PART NUMBER	MIN REV	DESCRIPTION	01 D02	02 D02	QUANTITY PER VARIATION/REVISION
1	1	D-IA-7433239-0-DBU	74-33239-01		PLATE,MTG.,BI EXTERNAL LOAD	1	1	
2	2		13-09084-00		1.0 55.0 W 5.0 % WW	2	1	
3	3		13-00155-00		2.0 55.0 W 5.0 % WW	2	1	
4	4		90-06040-01		SCREW,MACH 8-32 PAN .625 XRCS	8	4	
5	5		90-07867-00		MOUNT, PUSH,CABLE TIE	1	1	
6	6		90-07031-00		TIE,CABLE BUNDL,DIA 0- 3/4"=101	5	3	
7	7		17-01308-01		WIRE HARN ASSY 18AWG 8RING	1	-	
8	8		90-08151-00		WASHER,LOCK EXTERNAL STEEL	8	4	
9	9		17-01324-01		WIRE HARN ASSY 04COND 18AWG 4RING	-	1	
10	10		36-22147-06		LABEL,BAR CODE,THERMAL 1.00 X 2.5	1	1	

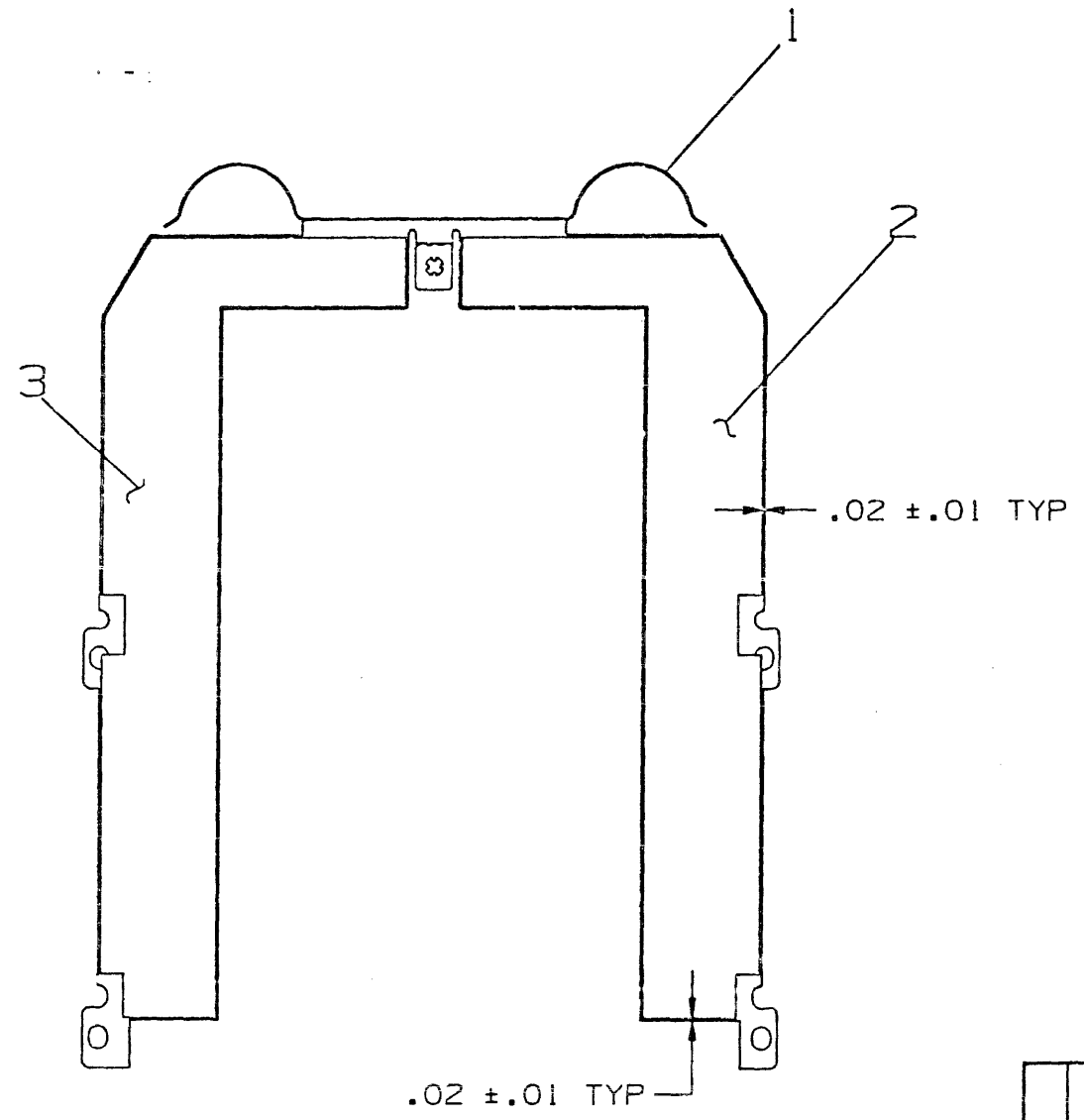
REVISION HISTORY		KPL MATRIX FORMAT		SECTION A OF A	DRN: J. KERSEY	D I G I T A L		
ENG	ECO NUMBER	REV	SECTION/VARIATION INDEX		DATE: 04-DEC-85			
---	INITIAL	A	[A]	01,02	CHK'D: T. CHACKO	TITLE PARTS LIST		
F.O	7023417-LTN01	B	[B]		DATE: 14-JAN-86	PLATE, MOUNTING ASSY		
FO	7023417-LTN02	C	[C]		DES.ENG: L. GRAHAM	DOCUMENT NUMBER		
FOB	7023417-LTN03	D	[D]		DATE: 14-JAN-86	SIZE	CODE	NUMBER
MR	7023417-MK004	E	[E]		RESP.ENG.: P. LETVINCHUK	K	PL	7023417-0-DBP
			[F]		DATE: 14-JAN-86			REV
			[H]		MFG.ENG: D. LEVINSON	RELEASE DATE: 07-NOV-89		
			[J]		DATE: 14-JAN-86	RELEASE STATUS: RELEASED		
		BASIC PART NUMBER:		ASSEMBLY NUMBER:	TOP DOCUMENT NUMBER:		EDIT #	
		7023417		E-IA-7023417-0-DBU	E-IA-7023417-0-DBU		2	
		FILE NAME: 7023417E.PLS						

"THIS DRAWING AND THE SPECIFICATIONS CONTAINED HEREIN ARE CONFIDENTIAL AND PROPRIETARY. THEY ARE THE PROPERTY OF DIGITAL EQUIPMENT CORPORATION AND SHALL NOT BE REPRODUCED OR COPIED OR USED IN WHOLE OR IN PART AS THE BASIS FOR THE MANUFACTURE OR SALE OF ITEMS WITHOUT WRITTEN PERMISSION. THIS IS AN UNPUBLISHED WORK PROTECTED UNDER THE FEDERAL COPYRIGHT LAWS."

THIS DRAWING AND THE SPECIFICATIONS CONTAINED HEREIN ARE CONFIDENTIAL AND PROPRIETARY. THEY ARE THE PROPERTY OF DIGITAL EQUIPMENT CORPORATION AND SHALL NOT BE REPRODUCED OR COPIED OR USED IN WHOLE OR IN PART AS THE BASIS FOR THE MANUFACTURE OR SALE OF ITEMS WITHOUT WRITTEN PERMISSION. THIS IS AN UNPUBLISHED WORK PROTECTED UNDER THE FEDERAL COPYRIGHT LAWS. COPYRIGHT © 1985 DIGITAL EQUIPMENT CORPORATION*

LEGEND		
PART NO.	REV	VARIATION
7021765-01	A1	AS SHOWN

NOTE :



CAUTION
OFF SHEET PARTS LIST EXISTS
SEE K-PL-7021765-DBP

FIRST HIGHER ASS'Y
E-UA-TK50-0-DBU

DESCRIPTION	DRAWING NO.	PART NO.	ITEM NO.
UNLESS OTHERWISE SPECIFIED DIMENSIONS ARE IN INCHES AND THE FOLLOWING TOLERANCES APPLY (PER DEC STD 114)			
INCHES TOLERANCES	ANGLES ±0° 30'	APPLICABLE DIMENSION RANGE	
		10-EXX ONE	
.X: ± .1 .XX: ± .02 .XXX: ± .005	SURFACE QUALITY <input checked="" type="checkbox"/> MICROINCHES	DIMENSION RANGE IN INCHES	
		OVER 0 TO 0.2	OVER 0.2 TO 1.2
		OVER 1.2 TO 4.0	OVER 4.0 TO 12.0
		OVER 12.0 TO 40.0	OVER 40.0 TO 80.0
		±.02	±.03
		±.004	±.008
		±.012	±.016
		±.024	±.04
THIRD ANGLE PROJECTION 	DRN M. O'DONNELL	DATE 27SEPT84	TITLE INSULATOR ASSY
DO NOT SCALE DRAWING	CHK'D E. WESTER	DATE 20 DEC 84	DOCUMENT NUMBER 7021765-0-DBU
REMOVE BURRS AND BREAK SHARP CORNERS	DES. ENG. M. O'DONNELL	DATE 27SEPT84	
MATERIAL SEE PARTS LIST	RESP. ENG. G. SCHNEIDER	DATE 20 DEC 84	REV. A
	MFG. ENG. K. CRANSON	DATE 20 DEC 84	

REV.	INITIAL
A	

4 3 2 1

D D

C C

B B

A A

REV. A

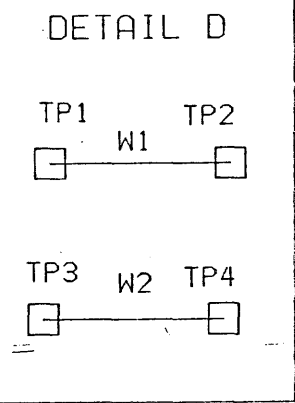
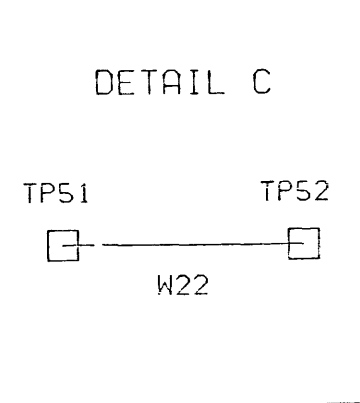
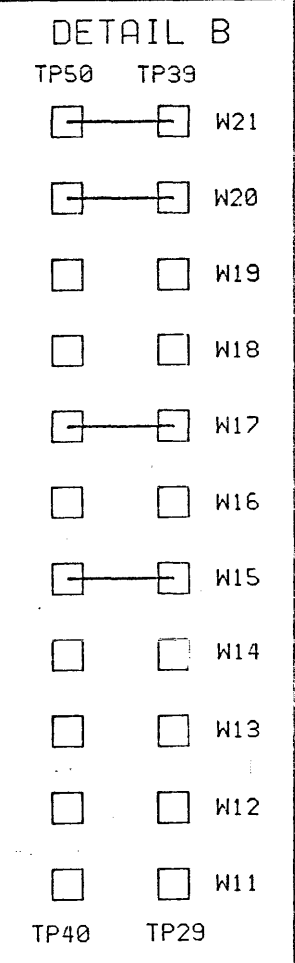
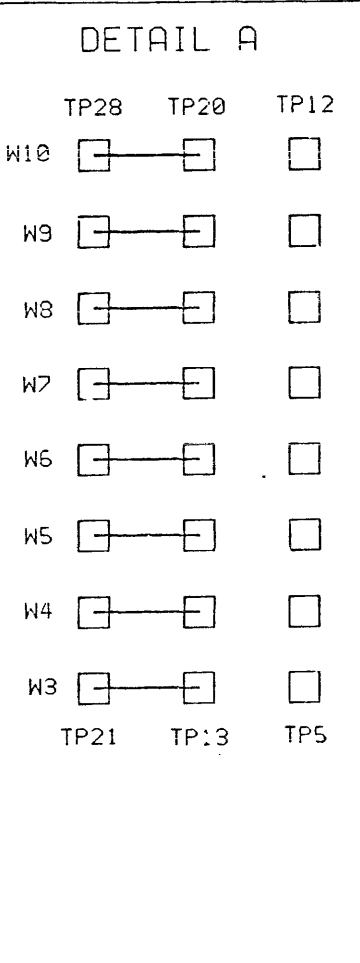
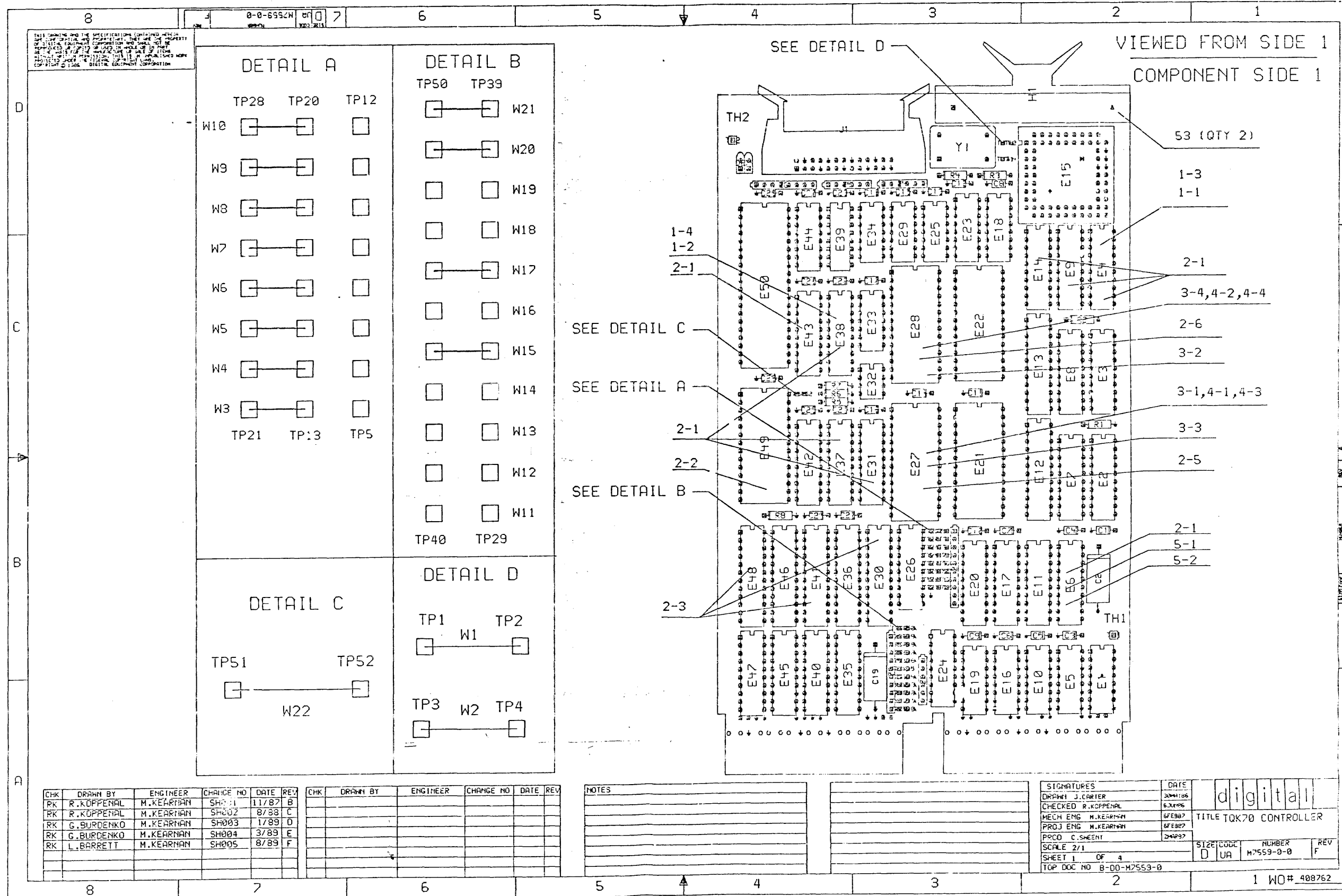
NUMBER 7021765-0-DBU

SIZE CODE C AD

LINE	ITEM	TOP DOCUMENT	PART NUMBER	MIN REV	DESCRIPTION	QTY PER VARIATION
1	1	D-MD-7430814-0-DBU	7430814-01		CLIP GROUNDING REWORKED	1
2	2	C-MD-7431149-0-DBU	7431149-02		INSULATOR, SKID PLATE, R.H.	1
3	3	C-MD-7431149-0-DBU	7431149-01		INSULATOR, SKID PLATE, L.H.	1

REVISION HISTORY			BASIC PART NO: 7021765								
ENG	ECO NUMBER	REV	SECTION A OF A	DRN:	M. O'DONNELL	DATE:	30-JAN-85	D I G I T A L			
---	INITIAL	A	SECTION VARIATION INDEX (A)01	CHK'D:	E. WESTER	DATE:	30-JAN-85	TITLE PARTS LIST INSULATOR ASSY.			
			(B)	DES. ENG:	M. O'DONNELL	DATE:	27-SEP-84	DOCUMENT NUMBER			
			(C)	RESP. ENG.:	G. SCHNEIDER	DATE:	30-JAN-85	SIZE	CODE	NUMBER	REV
			(D)					K	PL	7021765-0-DBP	A
			(E)	MFG. ENG.:	K. CRANSON	DATE:	30-JAN-85	RELEASE DATE: 26-FEB-85			
			(F)	ASSEMBLY NUMBER:	C-AD-7021765-0-DBU	TOP DOCUMENT NUMBER:	C-AD-7021765-0-DBU	FILE NAME:	SH136A.PLS	EDIT #	7

"THIS DRAWING AND THE SPECIFICATIONS CONTAINED HEREIN ARE CONFIDENTIAL AND PROPRIETARY. THEY ARE THE PROPERTY OF DIGITAL EQUIPMENT CORPORATION AND SHALL NOT BE REPRODUCED OR COPIED OR USED IN WHOLE OR IN PART AS THE BASIS FOR THE MANUFACTURE OR SALE OF ITEMS WITHOUT WRITTEN PERMISSION. THIS IS AN UNPUBLISHED WORK PROTECTED UNDER THE FEDERAL COPYRIGHT LAWS."



CHK	DRAWN BY	ENGINEER	CHANGE NO	DATE	REV
RK	R. KÖPPENAL	M. KEARNAN	SH001	11/87	B
RK	R. KÖPPENAL	M. KEARNAN	SH002	8/88	C
RK	G. BURDENKO	M. KEARNAN	SH003	1/89	D
RK	G. BURDENKO	M. KEARNAN	SH004	3/89	E
RK	L. BARRETT	M. KEARNAN	SH005	8/89	F

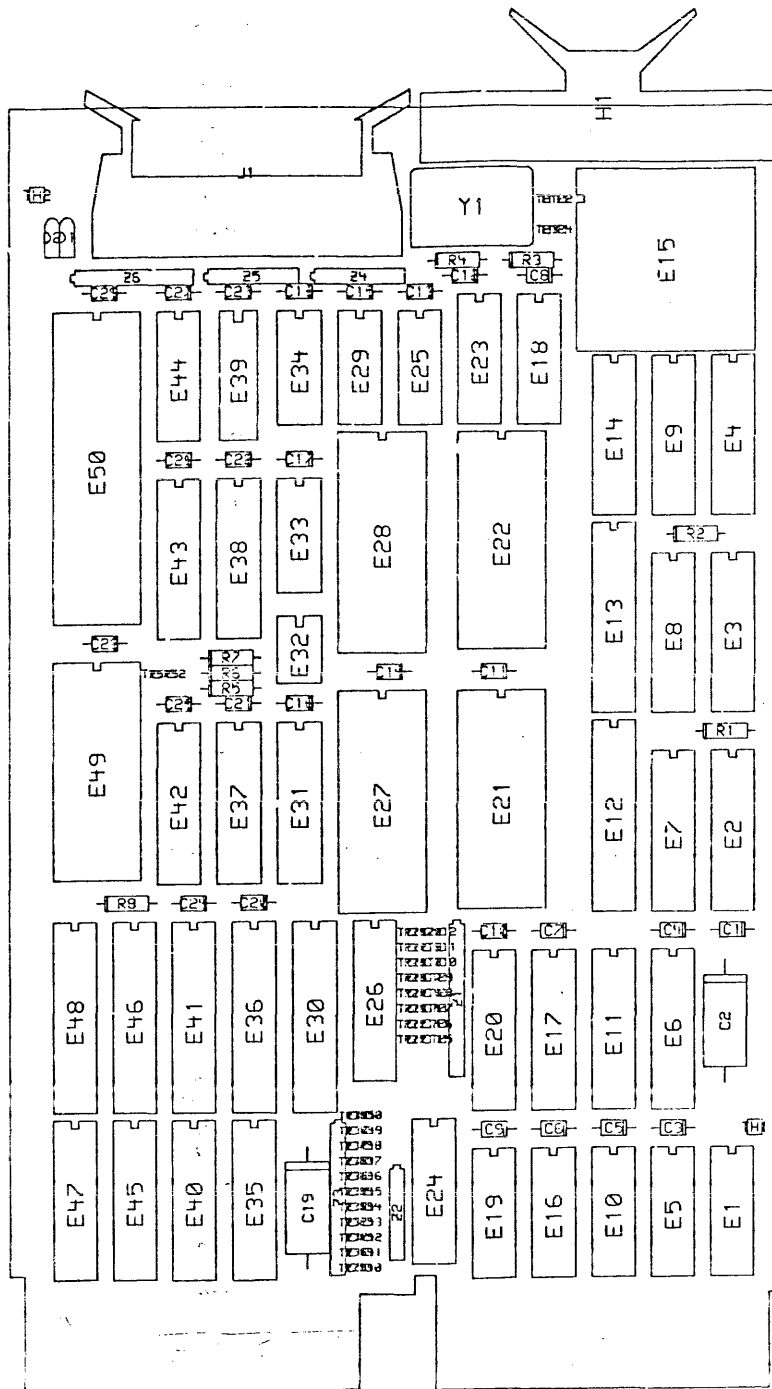
CHK	DRAWN BY	ENGINEER	CHANGE NO	DATE	REV

NOTES

SIGNATURES		DATE	digital
DRAWN J. CARTER		3/88	
CHECKED R. KÖPPENAL		6/88	TITLE TOX70 CONTROLLER
MECH ENG M. KEARNAN		8/88	
PROJ ENG M. KEARNAN		8/88	SIZE: CODE NUMBER REV
PCOD C. SHEENT		2/89	
SCALE 2/1			D UA M7559-0-0 F
SHEET 1 OF 4			
TOP DOC NO B-00-M7559-0			

ALL DIMENSIONS AND SPECIFICATIONS CONTAINED HEREIN ARE THE PROPERTY OF DIGITAL EQUIPMENT CORPORATION AND SHALL NOT BE REPRODUCED OR COPIED IN WHOLE OR IN PART WITHOUT THE WRITTEN PERMISSION OF DIGITAL EQUIPMENT CORPORATION. THIS IS AN UNCLASSIFIED HOW TO USE THE INFORMATION CONTAINED HEREIN. DIGITAL EQUIPMENT CORPORATION
 0-8-65524
 1970

VIEWED FROM SIDE 1
 COMPONENT SIDE 1



TITLE
 TOK70 CONTROLLER

DOCUMENT NUMBER		
SIZE	CODE	NUMBER
D	UA	M7559-0-0
SCALE 2/1		SHEET 2 OF 4

1 WO# 403762

THIS DRAWING AND THE SPECIFICATIONS CONTAINED HEREIN ARE THE PROPERTY OF DIGITAL EQUIPMENT CORPORATION AND SHALL BE REPRODUCED OR TRANSMITTED IN ANY FORM OR BY ANY MEANS WITHOUT THE WRITTEN PERMISSION OF DIGITAL EQUIPMENT CORPORATION. THIS DRAWING IS UNCLASSIFIED AND IS NOT SUBJECT TO EXPORT RESTRICTIONS.

REWORK INSTRUCTIONS :

ECO # 1
SIDE 1

COMPONENT DELETE :

- 1-1. DELETE P/N 23-192K3-00, E4.
- 1-2. DELETE P/N 23-94K4-00, E38.

COMPONENT ADD :

- 1-3. ADD P/N 23-219K3-00, E4.
- 1-4. ADD P/N 23-123K4-00, E38.

ECO # 2
SIDE 1

COMPONENT DELETE :

- 2-1. DELETE P/N 12-15006-04 SKT, IC 20 PIN DIP QTY. 8 REF DES. XE4,XE6,XE9,XE14,XE31,XE37,XE38,XE43.
- 2-2. DELETE P/N 12-15006-07 SKT, IC 28 PIN DIP QTY. 1 REF DES. XE49.
- 2-3. DELETE P/N 12-15006-13 SKT, IC 24 PIN DIP QTY. 3 REF DES. XE30,XE41,XE48.
- 2-4. DELETE P/N 23-E6 -05 32KX8 UV EPROM 150NS QTY. 2 REF DES. E27. E28.

COMPONENT ADD :

- 2-5. ADD P/N 23-157E6-00 32KX8 UV EPROM 150NS QTY. 1 REF DES. E27.
- 2-5. ADD P/N 12-158E6-00 32KX8 UV EPROM 150NS QTY. 1 REF DES. E28.

NOTES :

- 1. SOCKET REMOVAL: MODULE REV LEVEL A1 & A2 BOARDS ARE NOT TO BE REWORKED.
- 2. EPROM REPLACEMENT: MODULE REV LEVEL A1 & A2 BOARDS ARE TO BE UPDATED. THIS IS DETERMINED BY THE 'EPROMS LABEL' DATE CODE OR RELEASE CODE AS FOLLOWS:

EPROM LOCATION	*DATED CODE	RELEASED CODE
E27	7/23 L	23-157E6-00
E28	7/23 H	23-158E6-00

* ANY DATED CODE EARLIER THAN 7/23 HAS TO BE REPLACED.

THIS DRAWING AND THE SPECIFICATIONS CONTAINED HEREIN ARE THE PROPERTY OF THE UNITED STATES GOVERNMENT AND ARE LOANED TO YOU FOR YOUR INFORMATION ONLY. IT IS TO BE RETURNED TO THE SOURCE OF ORIGIN UPON REQUEST. THIS IS AN UNCLASSIFIED COPY. DATE 01/19/00 BY: [unclear]

D
C
A
B
A

REWORK INSTRUCTIONS :

ECO # 3

SIDE 1

COMPONENT DELETE :

- 3-1. DELETE P/N 23-157E6-00 32KX8 UV EPROM 150NS QTY. 1, REF DES. E27.
- 3-2. DELETE P/N 23-158E6-00 32KX8 UV EPROM 150NS QTY.1, REF DES. E28.

COMPONENT ADD :

- 3-3. ADD P/N 23-363E6-00 32KX8 UV EPROM 150NS QTY. 1, REF DES. E27.
- 3-4. ADD P/N 23-364E6-00 32KX8 UV EPROM 150NS QTY. 1, REF DES. E28.

ECO # 4

SIDE 1

COMPONENT DELETE :

- 4-1. DELETE P/N 23-363E6-00 32KX8 UV EPROM 250NS QTY. 1, REF DES. E27.
- 4-2. DELETE P/N 23-364E6-00 32KX8 UV EPROM 250NS QTY. 1, REF DES. E28.

COMPONENT ADD :

- 4-3. ADD P/N 23-410E6-00 32KX8 UV EPROM 150NS QTY. 1, REF DES. E27.
- 4-4. ADD P/N 23-411E6-00 32KX8 UV EPROM 150NS QTY. 1, REF DES. E28.

ECO # 5

SIDE 1

COMPONENT DELETE :

- 5-1. P/N 23-304J5-00 J5-01 PAL, LOGIC REF.DES. E6

COMPONENT ADD :

- 5-2. P/N 23-510J5-00 J5-01 PAL, LOGIC REF. DES. E6

LINE	ITEM	TOP DOCUMENT	PART NUMBER	MIN REV	DESCRIPTION	QTY PER VAR/REV	REFERENCE DESIGNATORS
1	1	B-DD-5017635-0	50-17635-01		CIRCUIT DRILL AND ETCH	1	
2	2		10-12084-01		8.0 MFD 25V +75/-10% 85	2	C2,C19
3	3		10-12784-00		0.047MFD 50V +80/-20% Z5U C	27	C1,C3-C18,C20-C29
4	4		11-14136-01		LED 6.5MA 5V 1.2MCD	2	D1,D2
5	5		12-15006-04		*** THIS ITEM IS NOT USED ***	-	
6	6		12-15006-07		SKT,IC 28PIN DIP TIN SOLD	2	XE27,XE28
7	7		12-15006-13		*** THIS ITEM IS NOT USED ***	-	
8	8		12-16832-01		PCB,HEADER 26POS(2X13).100CC 90D	1	J1
9	9		12-18783-00		JUMPER 02POS(1X02).100CC	15	W1-W10,W15,W17,W20-W22
10	10		12-23339-01		SKT,IC 68PIN	1	XE15
11	11		13-00219-00		68.0 .25 W 5.0 % CF	7	R1,R2,R4-R8
12	12		13-00365-00		1.0 K .25 W 5.0 % CF	1	R3
13	13		13-16395-02		R. NET 1.0K- 9 2.0	2	Z1,Z3
14	14		13-21219-01		R. NET 330.0 - 4 680.0 - 4 2.0	1	Z2
15	15		13-22716-01		R. NET 120.0 - 7 2.0	1	Z6
16	16		13-26490-01		R. NET 240.0 - 5 2.0	2	Z4,Z5
17	17		18-11660-24		OSCILLATOR, XTAL 18.084 MHZ	1	Y1
18	18		19-12730-00		DC 003 INTERRUPT,2 CIRCUIT	1	E24
19	19		19-12805-00		LS08 AND GATE-QUAD 2IN,PO	1	E29
20	20		19-12824-00		LS74 FF-D DUAL,EDGE TRIGG	1	E33
21	21		19-12842-00		LS138 DECODER-THREE INPUT,	1	E18
22	22		19-12850-00		LS164 SHIFT REG. 8BIT SERI	1	E34
23	23		19-12860-00		LS259 LATCH 8BIT	1	E23
24	24		19-12863-00		LS273 FF-D OCTAL W/CLEAR	1	E26
25	25		19-13040-00		DC 005 TRANSCEIVER 4BIT	4	E35,E40,E45,E47
26	26		19-14987-00		8641-2 TRANSCEIVER,UNIBUS,	5	E1,E5,E10,E16,E19
27	27		19-15123-00		26LS32 RECEIVER,QUAD,EIA RS	1	E39
28	28		19-15193-00		LS244 DRIVER,LINE,OCTAL,TR	3	E11,E17,E20
29	29		19-15218-00		LS245 TRANSCEIVER,BUS,OCTA	2	E7,E8
30	30		19-15219-00		LS373 FF-D OCTAL-TRANSPARE	2	E2,E3

REVISION HISTORY			KPL MODULE FORMAT		SECTION A OF A	DRN: R. KOPPENAL	DIGITAL				
ENG	ECO NUMBER	REV	SECTION/VARIATION INDEX		DATE: 17-OCT-86						
---	INITIAL	A	[A]	00	[M]	CHK'D: R. KOPPENAL	TITLE PARTS LIST				
M.K	M7559-SH001	B	[B]		[N]	DATE: 20-FEB-87	TQK70 CONTROLLER				
M.K	M7559-SH002	C	[C]		[P]	DES.ENG: MIKE KEARNAN					
M.K	M7559-SH003	D	[D]		[Q]	DATE: 20-FEB-87	DOCUMENT NUMBER				
M.K	M7559-SH004	E	[E]		[R]	RESP.ENG.: MIKE KEARNAN	SIZE	CODE	NUMBER	REV	
			[F]		[S]	DATE: 28-NOV-88	K	PL	M7559-0-DBP	E	
			[H]		[T]	MFG.ENG: G. KIAH	RELEASE DATE: 31-MAR-89				
			[J]		[V]	DATE: 20-FEB-87	RELEASE STATUS: RELEASED				
			[K]		[W]						
			[L]		[Y]						
			BASIC PART NUMBER:		ASSEMBLY NUMBER:	TOP DOCUMENT NUMBER:			EDIT #		
			M7559		D-UA-M7559-0-0	B-DD-M7559-0			1		
			FILE NAME: SH288E.PLS								

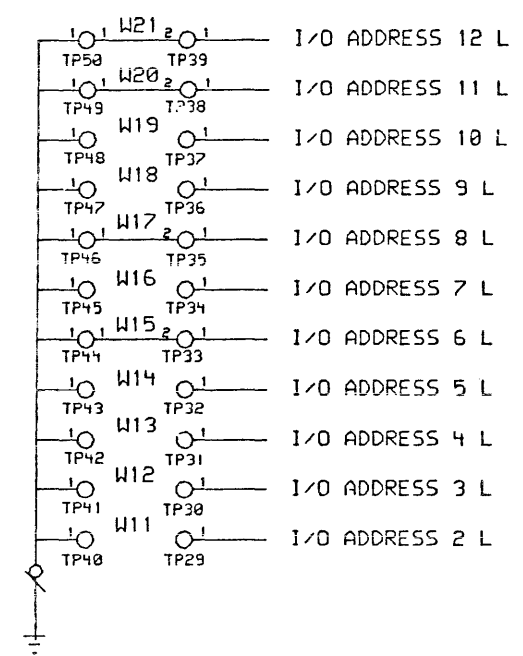
"THIS DRAWING AND THE SPECIFICATIONS CONTAINED HEREIN ARE CONFIDENTIAL AND PROPRIETARY. THEY ARE THE PROPERTY OF DIGITAL EQUIPMENT CORPORATION AND SHALL NOT BE REPRODUCED OR COPIED OR USED IN WHOLE OR IN PART AS THE BASIS FOR THE MANUFACTURE OR SALE OF ITEMS WITHOUT WRITTEN PERMISSION. THIS IS AN UNPUBLISHED WORK PROTECTED UNDER THE FEDERAL COPYRIGHT LAWS."

LINE	ITEM	TOP DOCUMENT	PART NUMBER	MIN REV	DESCRIPTION	QTY PER VAR/REV 00 C3	REFERENCE DESIGNATORS
31	31		19-15851-00		26LS31 DRIVER,QUAD,EIA RS 4	1	E44
32	32		19-20442-01		74F374 FF-D,OCTAL,TRI-STATE	1	E42
33	33		19-20853-01		LS646 BUS TRANSCEIVER/REGI	2	E12,E13
34	34		21-17872-06		RAM 2KX8 I/O MUXD 20	2	E36,E46
35	35		21-18856-02		7201 CONTROLLER,MULTI-PRO	1	E50
36	36		21-22352-03		80186 MICROPROCESSOR,16BIT	1	E15
37	37		21-23613-01		256-BIT SERIAL NON-V	1	E32
38	38		21-24640-01		74HCT04 HEX INVERTER	1	E25
39	39		21-26307-02		STATIC MIX-MOS RAM 3	2	E21,E22
40	40		23-10K7 -00	K7-01	PAL, 20X 8	1	E30
41	41		23-11K7 -00	K7-01	PAL, 20X 8	1	E41
42	42		23-12K7 -00	K7-01	PAL, 20X 8	1	E48
43	43		23-192K3-00		*** THIS ITEM IS NOT USED ***	-	
44	44		23-193K3-00	K3-01	PAL,LOGIC	1	E31
45	45		23-304J5-00	J5-01	PAL,LOGIC	1	E6
46	46		23-305J5-00	J5-01	PAL,LOGIC	1	E9
47	47		23-306J5-00	J5-01	PAL,LOGIC	1	E14
48	48		23-307J5-00	J5-01	PAL,LOGIC	1	E37
49	49		23-308J5-00	J5-01	PAL,LOGIC	1	E43
50	50		23-78L1 -00	L1-02		1	E49
51	51		23-94K4 -00		*** THIS ITEM IS NOT USED ***	-	
52	52		23-E6 -05		*** THIS ITEM IS NOT USED ***	-	
53	53		90-06732-00		EYELET,ROLLED 0.1210DX0.219	2	
54	54		90-08337-06		HANDLE, FLIP CHIP, MAGENTA	1	H1
55	55		90-09149-00		PIN,STAKNG 0.0250DX0.345LG SQUAR	52	TP1-TP52
56	56		23-219K3-00	K3-01	PAL,REG	1	E4
57	57		23-123K4-00	K4-03	PAL,HEX REG	1	E38
58	58		23-157E6-00		*** THIS ITEM IS NOT USED ***	-	
59	59		23-158E6-00		*** THIS ITEM IS NOT USED ***	-	
60	60		23-363E6-00		*** THIS ITEM IS NOT USED ***	-	
61	61		23-364E6-00		*** THIS ITEM IS NOT USED ***	-	
62	62		23-410E6-00		E6-04,E6-05,E6-06 OTP-ROM-U	1	E27
63	63		23-411E6-00		E6-04,E6-05,E6-06 OTP-ROM-U	1	E28

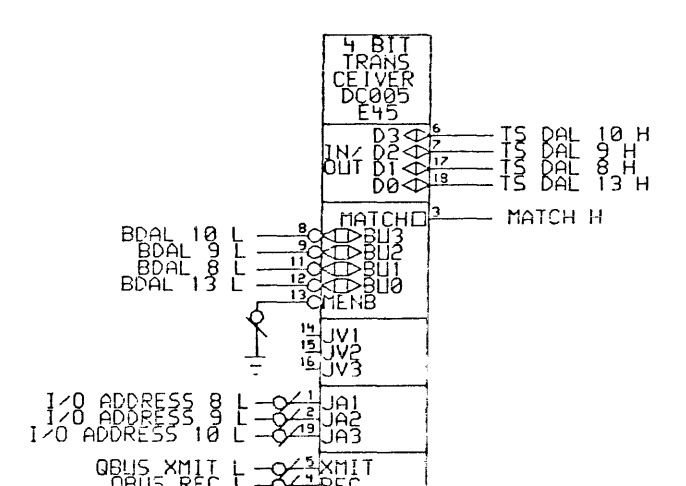
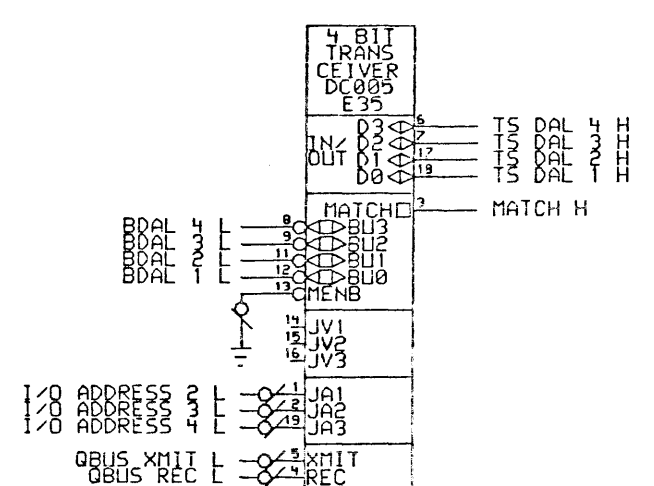
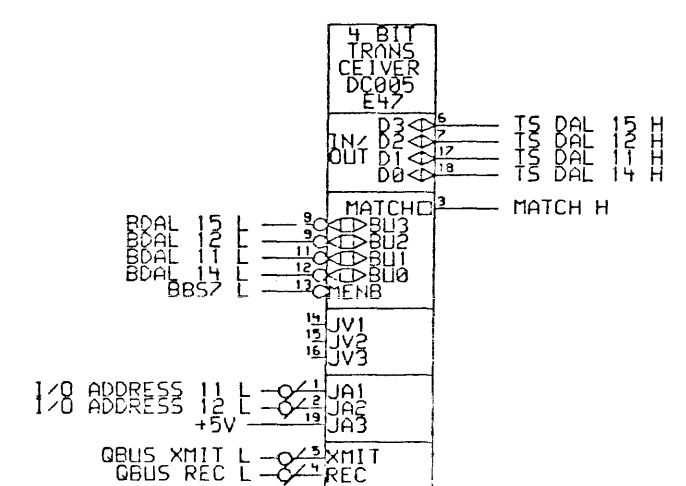
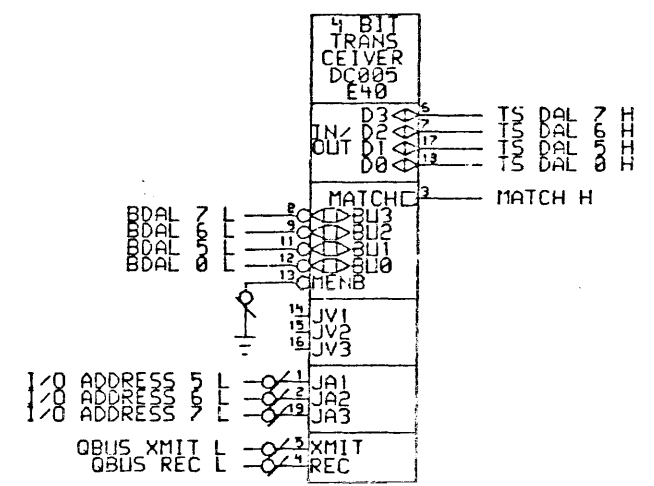
D	I	G	I	T	A	L	TITLE	SECTION A OF A	SIZE	CODE	DOCUMENT NUMBER	REV
							TQK70 CONTROLLER		K	PL	M7559-0-DBP	E

CONTROLLER IP & SA
ADDRESS SELECTION

QBUS DATA TRANSCEIVERS



NOTE: JUMPER INSTALLED = 1
 JUMPER REMOVED = 0
 SHOW IS I/O ADDRESS 774500



REVISION	CHK	CHANGE NO.	REV
	RK	SH002	B

DESIGNED BY	DATE	DESIGNED BY	DATE
M. KEARNAN	8/14/87	M. KEARNAN	8/14/87
CHECKED BY	DATE	CHECKED BY	DATE
M. KEARNAN	8/14/87	M. KEARNAN	8/14/87
FIRST USED ON OPTION/PCOULT		TCO DOCUMENT NUMBER	
		B-DD-M7559-0	

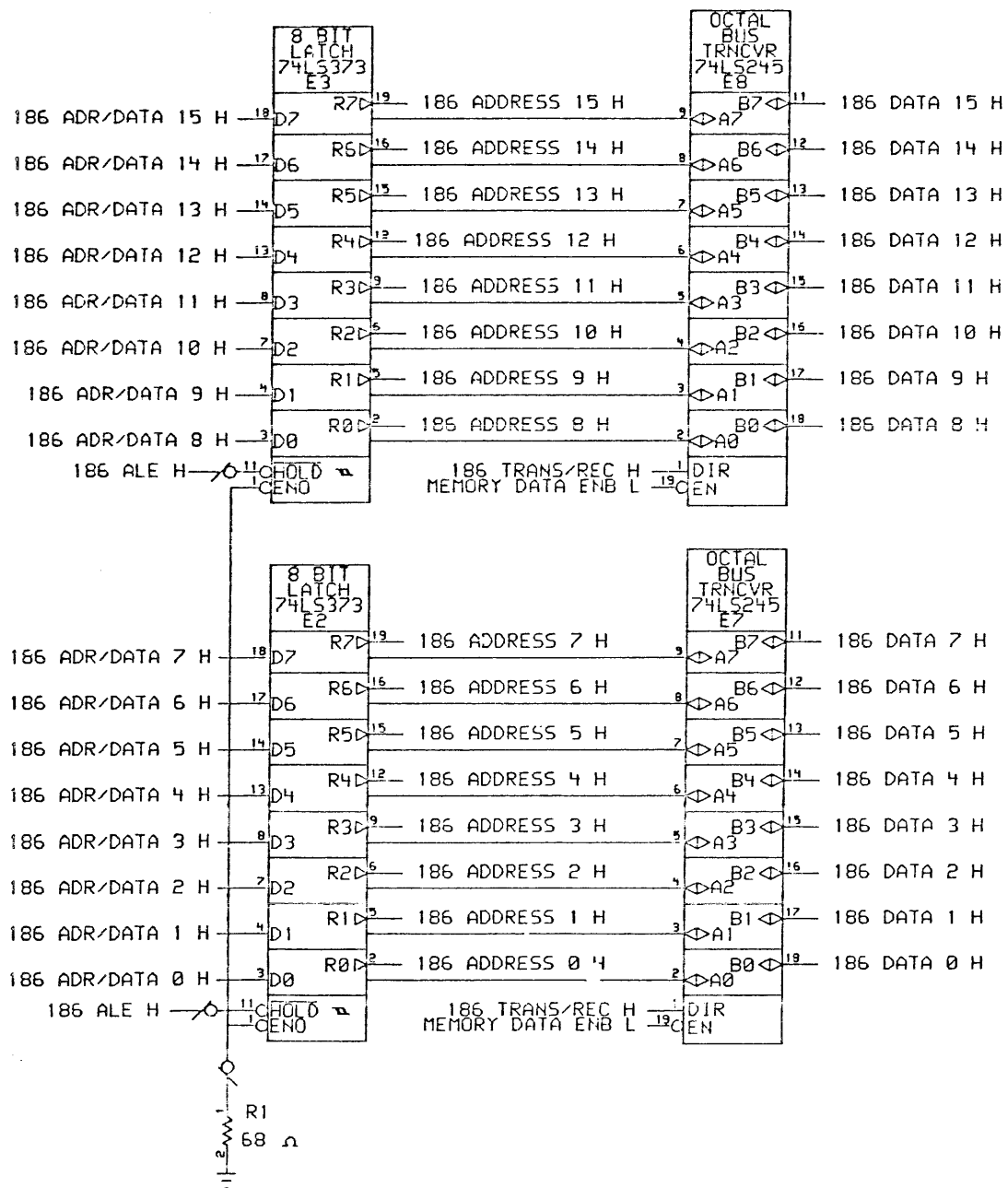
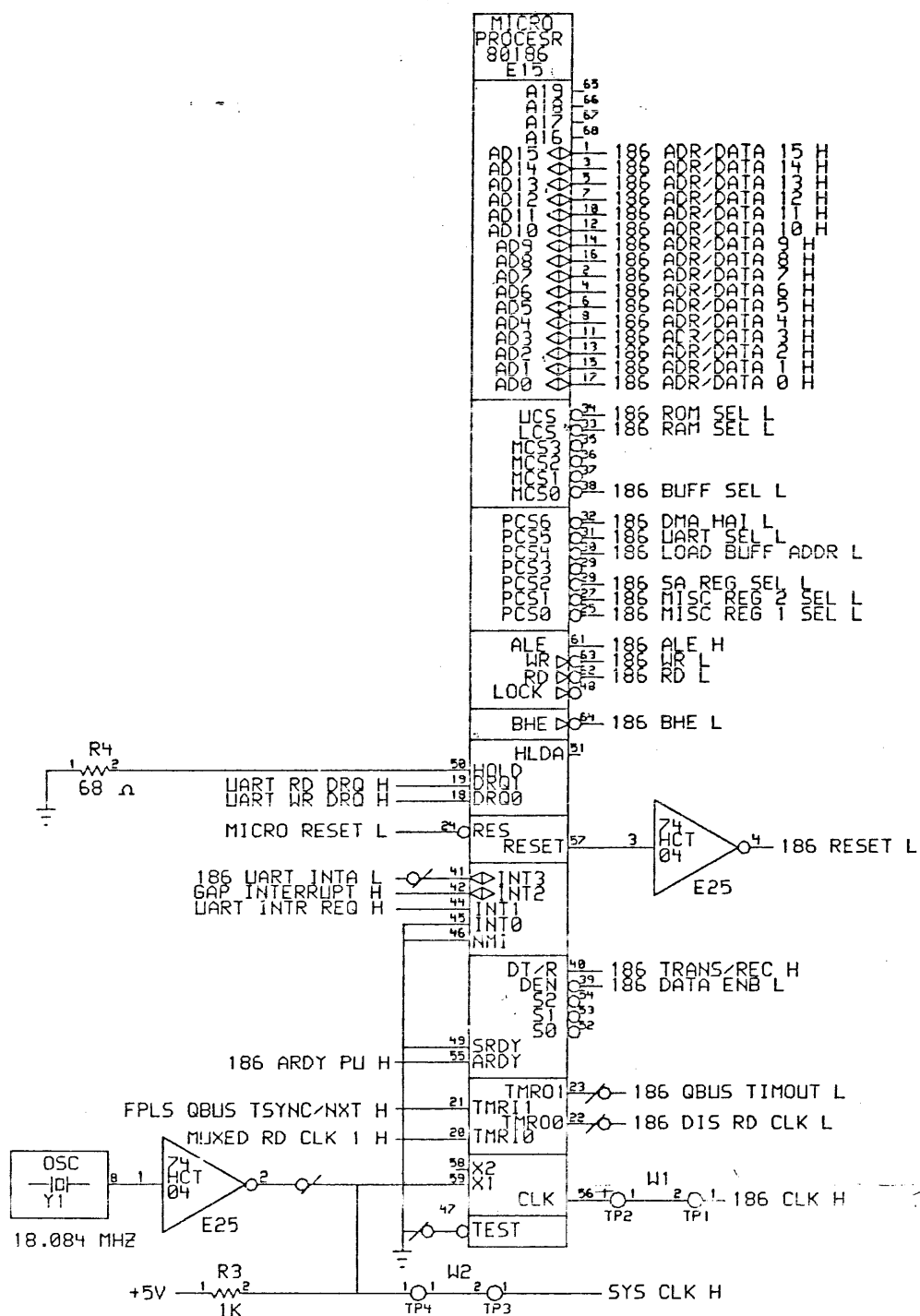
TITLE	SIZE	CODE	NUMBER	REV.
TQK70 CONTROLLER	K	CS	M7559-0-1	B

B
M7559-0-1
CS
K
B

80186 MICROPROCESSOR

80186 ADDRESS LATCHES

80186 MEMORY DATA TRANSCEIVERS



THIS DRAWING AND SPECIFICATIONS ARE THE PROPERTY OF DIGITAL EQUIPMENT CORPORATION AND ARE NOT TO BE REPRODUCED OR TRANSMITTED IN ANY FORM OR BY ANY MEANS, ELECTRONIC OR MECHANICAL, INCLUDING PHOTOCOPYING, RECORDING, OR BY ANY INFORMATION STORAGE AND RETRIEVAL SYSTEM, WITHOUT PERMISSION IN WRITING FROM DIGITAL EQUIPMENT CORPORATION.

REV.	NO.	DATE	BY	CHK.
1	1	8/14/87	M. KEARNAN	

REV.	NO.	DATE	BY	CHK.
1	1	8/14/87	M. KEARNAN	

REV.	NO.	DATE	BY	CHK.
1	1	8/14/87	M. KEARNAN	

REV.	NO.	DATE	BY	CHK.
1	1	8/14/87	M. KEARNAN	

REV.	NO.	DATE	BY	CHK.
1	1	8/14/87	M. KEARNAN	

REV.	NO.	DATE	BY	CHK.
1	1	8/14/87	M. KEARNAN	

REV.	NO.	DATE	BY	CHK.
1	1	8/14/87	M. KEARNAN	

REV.	NO.	DATE	BY	CHK.
1	1	8/14/87	M. KEARNAN	

REV.	NO.	DATE	BY	CHK.
1	1	8/14/87	M. KEARNAN	

REV.	NO.	DATE	BY	CHK.
1	1	8/14/87	M. KEARNAN	

REV.	NO.	DATE	BY	CHK.
1	1	8/14/87	M. KEARNAN	

REV.	NO.	DATE	BY	CHK.
1	1	8/14/87	M. KEARNAN	

REV.	NO.	DATE	BY	CHK.
1	1	8/14/87	M. KEARNAN	

REV.	NO.	DATE	BY	CHK.
1	1	8/14/87	M. KEARNAN	

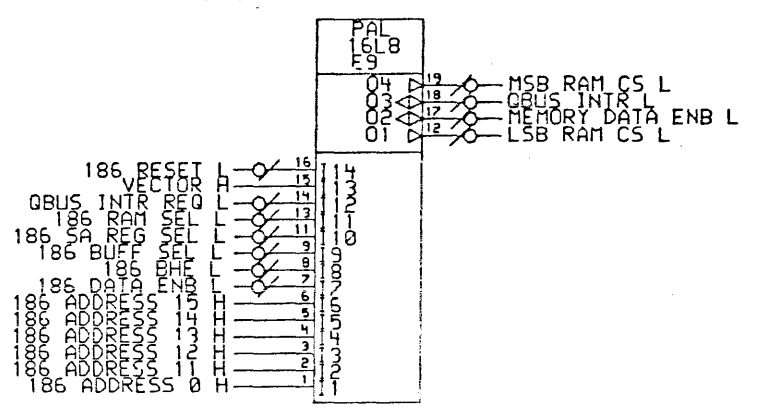
REV.	NO.	DATE	BY	CHK.
1	1	8/14/87	M. KEARNAN	

8 7 6 5 4 3 2 8 1-0-6959W CS K 1

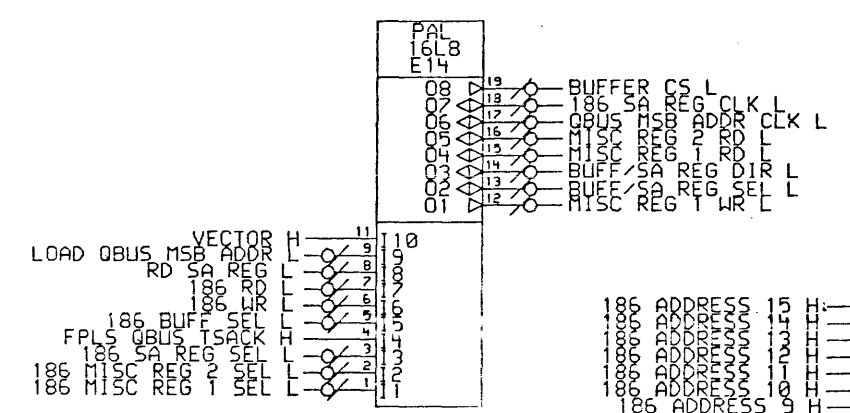
RAM
DECODE PAL

ROM
32K X 16

RAM
32K X 16



REGISTER SELECT
DECODE PAL



186 ROM SEL L — CS
186 TRANS/REC H — /CEN
ROM PU H — VPP

186 WR L — /R/W
MSB RAM CS L — /CF1
186 TRANS/REC H — /CF

186 ROM SEL L — CS
186 TRANS/REC H — /CEN
ROM PU H — VPP

186 WR L — /R/W
LSB RAM CS L — /CF1
186 TRANS/REC H — /CF

ALL CHANGES AND SPECIFICATIONS TO BE MADE BY THE DESIGNER. THE USER MUST BE ADVISED BY THE DESIGNER OF ANY SUCH CHANGES. THE USER IS RESPONSIBLE FOR VERIFYING THE PARTS LISTED IN THIS DOCUMENT. THE PARTS LISTED IN THIS DOCUMENT ARE SUBJECT TO CHANGE WITHOUT NOTICE. THE PARTS LISTED IN THIS DOCUMENT ARE SUBJECT TO CHANGE WITHOUT NOTICE.

REV. NO.	DATE	BY
1	8/14/87	M. KEARNAN
2	8/14/87	M. KEARNAN

REV.	CHG	NO.	REVISION

digit

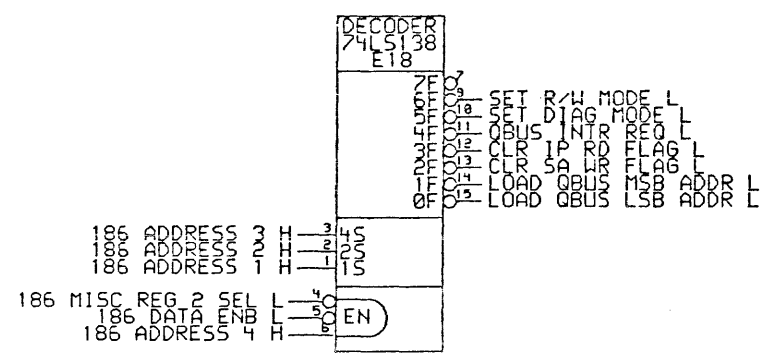
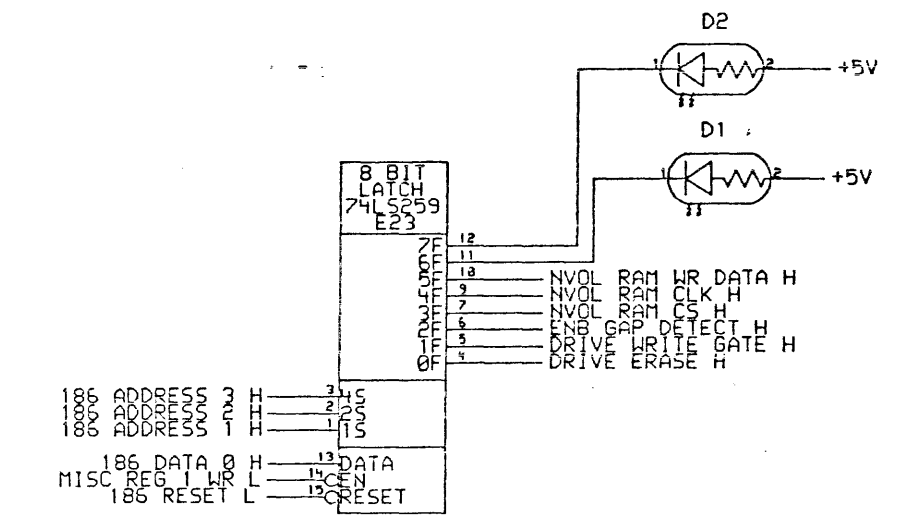
DESIGNED BY	M. KEARNAN	DATE	8/14/87
CHECKED BY	M. KEARNAN	DATE	8/14/87
DESIGNED BY	M. KEARNAN	DATE	8/14/87

TITLE: TQK70 CONTROLLER
 SHEET: 3 of 10
 TOP DOCUMENT NUMBER: B-DD-M7559-0
 FIRST USED ON OPTION MODEL:

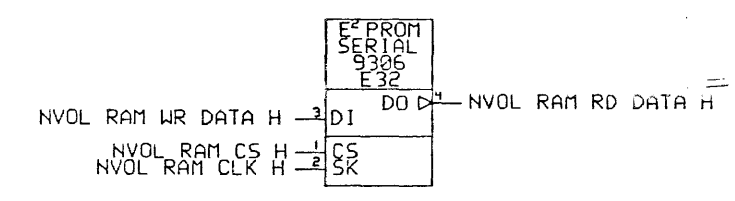
SIZE	CODE	NUMBER	REV.
K	CS	M7559-0-1	B

8 7 6 5 4 3 2 1

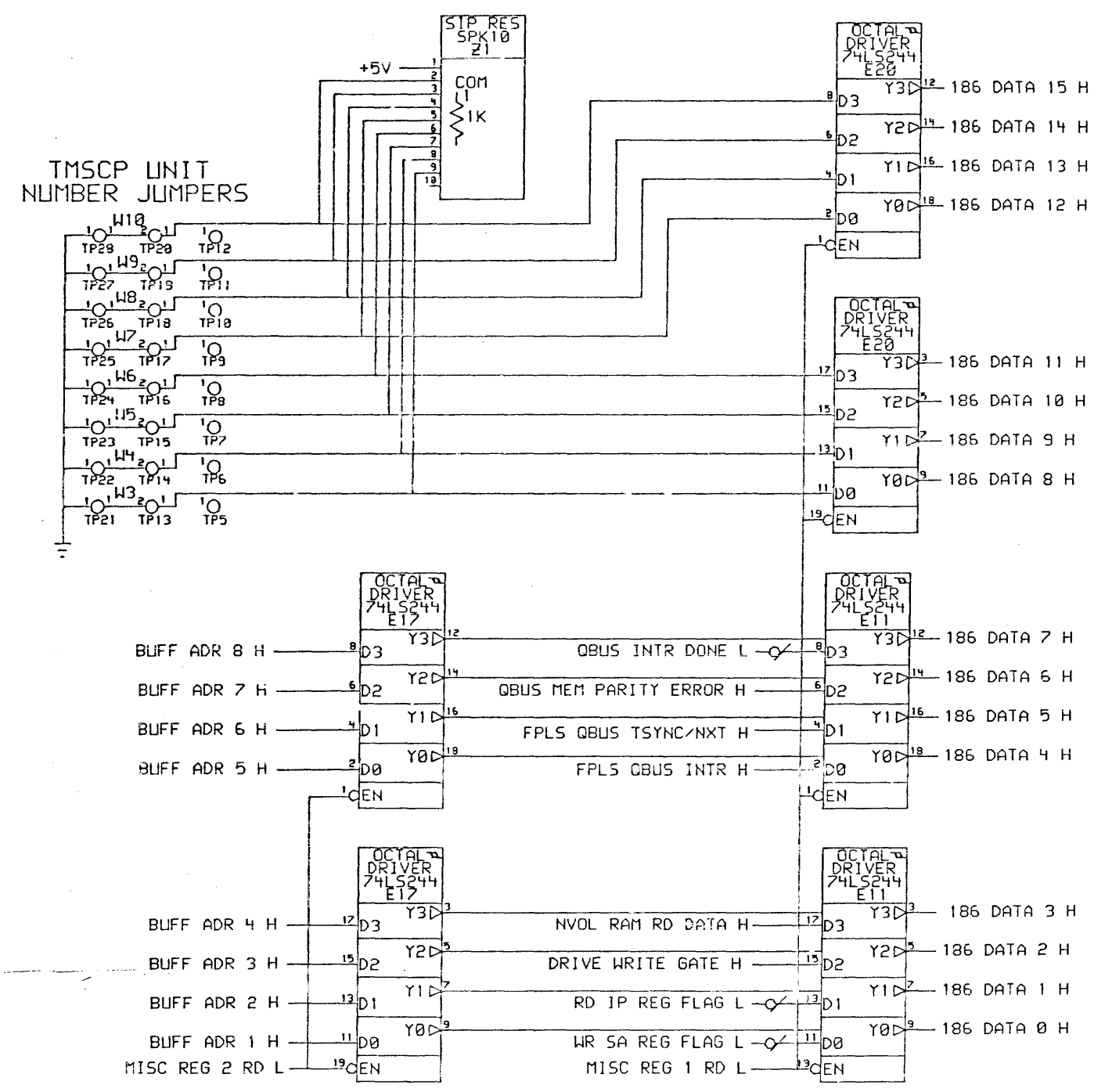
MISC WR REGISTERS



TMSCP HARDWARE REV & CONTROLLER SERIAL NUMBER RAM



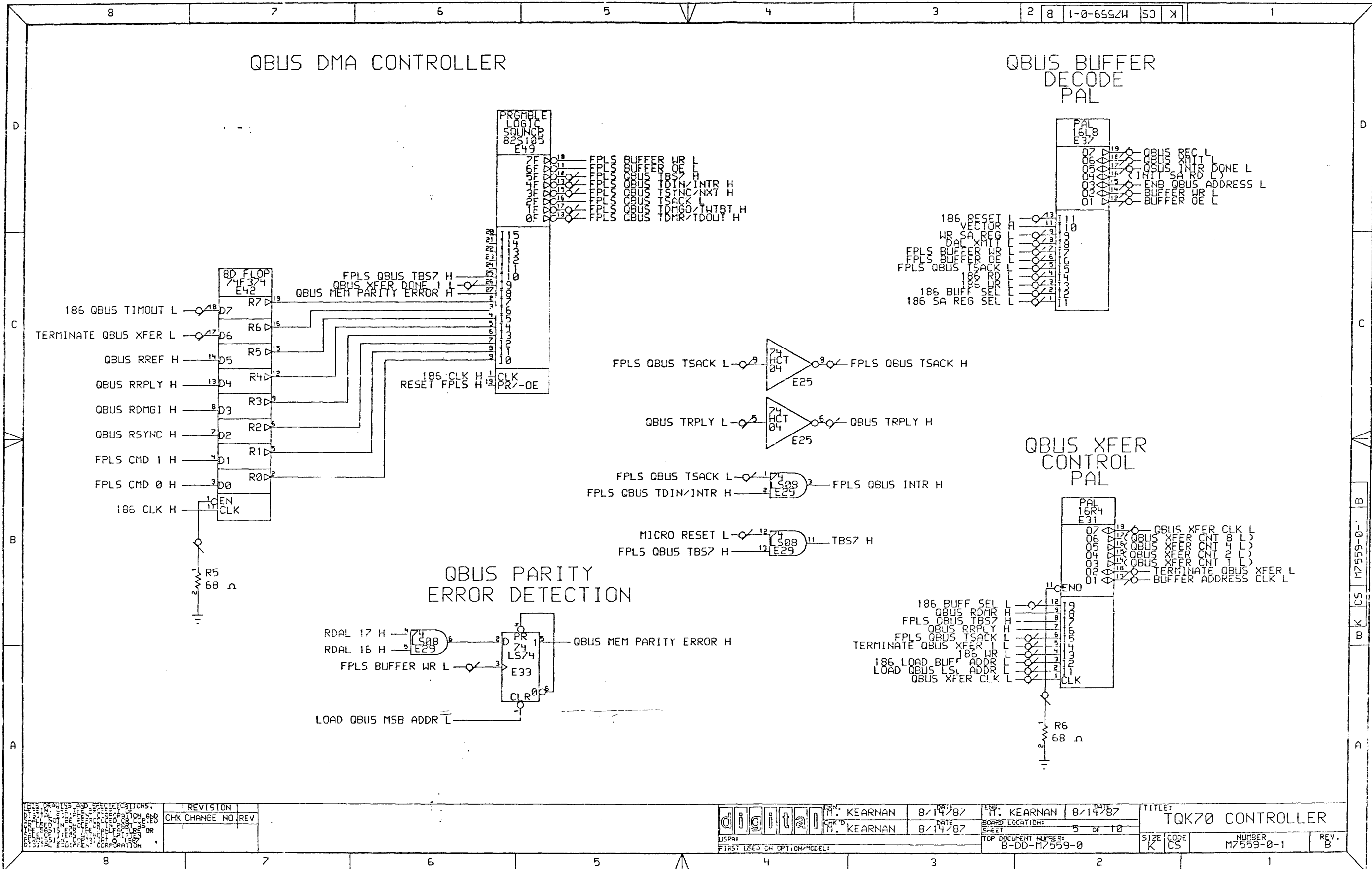
MISC RD REGISTERS

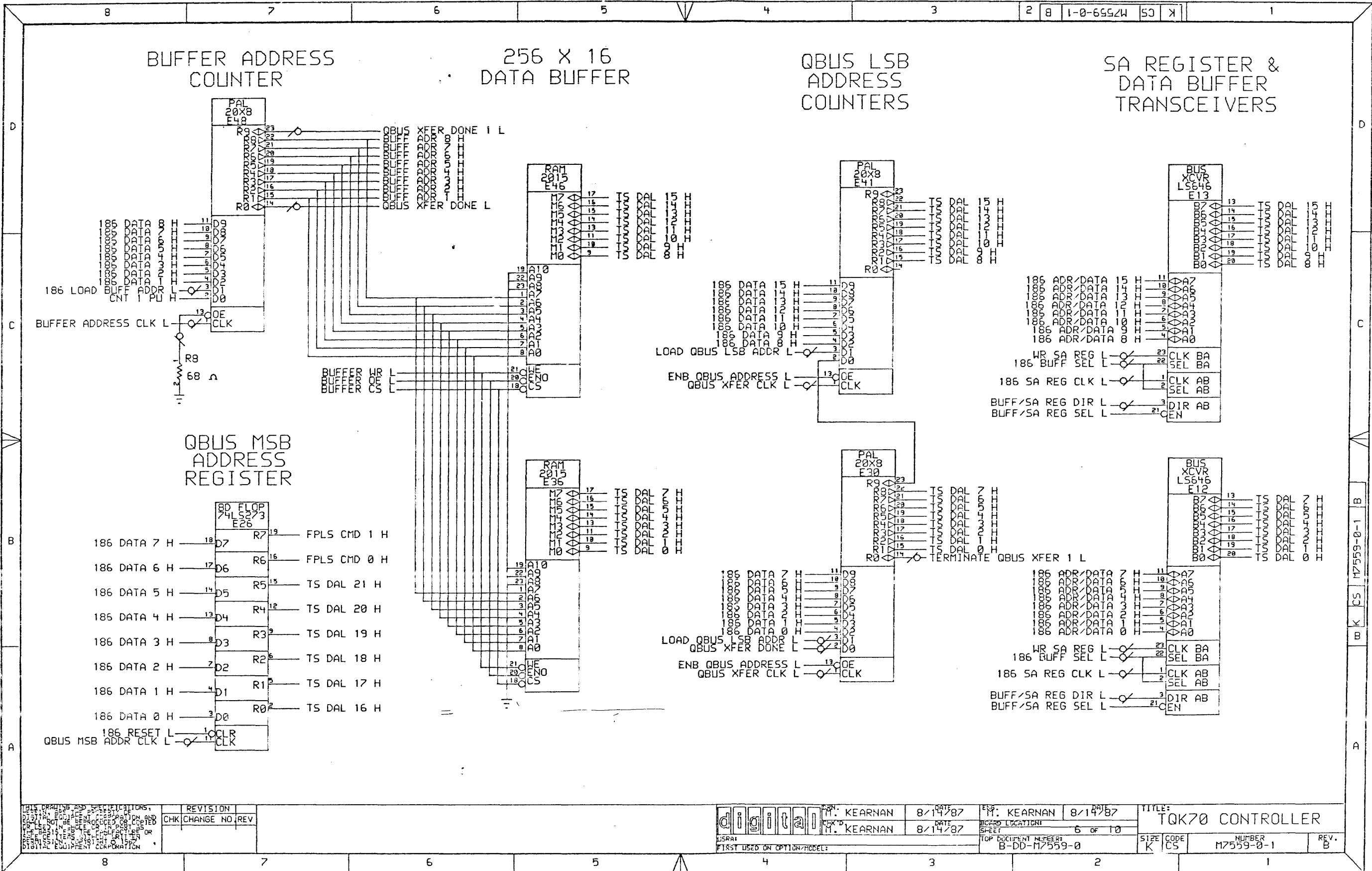


REV	DATE	BY	CHK	CHANGE NO	REV

digital
 M. KEARNAN 8/14/87
 M. KEARNAN 8/14/87
 BOARD LOCATION: SHEET 4 OF 10
 TOP DOCUMENT NUMBER: B-DD-M7559-0

TITLE: TQK70 CONTROLLER
 SIZE: K CODE: CS NUMBER: M7559-0-1 REV: B





THIS DRAWING AND SPECIFICATIONS, OR ANY PART THEREOF, IS THE PROPERTY OF THE UNITED STATES GOVERNMENT AND IS LOANED TO YOU. IT IS TO BE USED ONLY FOR THE PURPOSES AUTHORIZED BY THE CONTRACT UNDER WHICH IT IS LOANED. IT IS TO BE RETURNED TO THE UNITED STATES GOVERNMENT AT THE END OF THE LOAN PERIOD. IT IS NOT TO BE REPRODUCED, COPIED, OR TRANSMITTED IN ANY FORM OR BY ANY MEANS, ELECTRONIC OR MECHANICAL, INCLUDING PHOTOCOPYING, RECORDING, OR BY ANY INFORMATION STORAGE AND RETRIEVAL SYSTEM, WITHOUT PERMISSION IN WRITING FROM THE UNITED STATES GOVERNMENT.

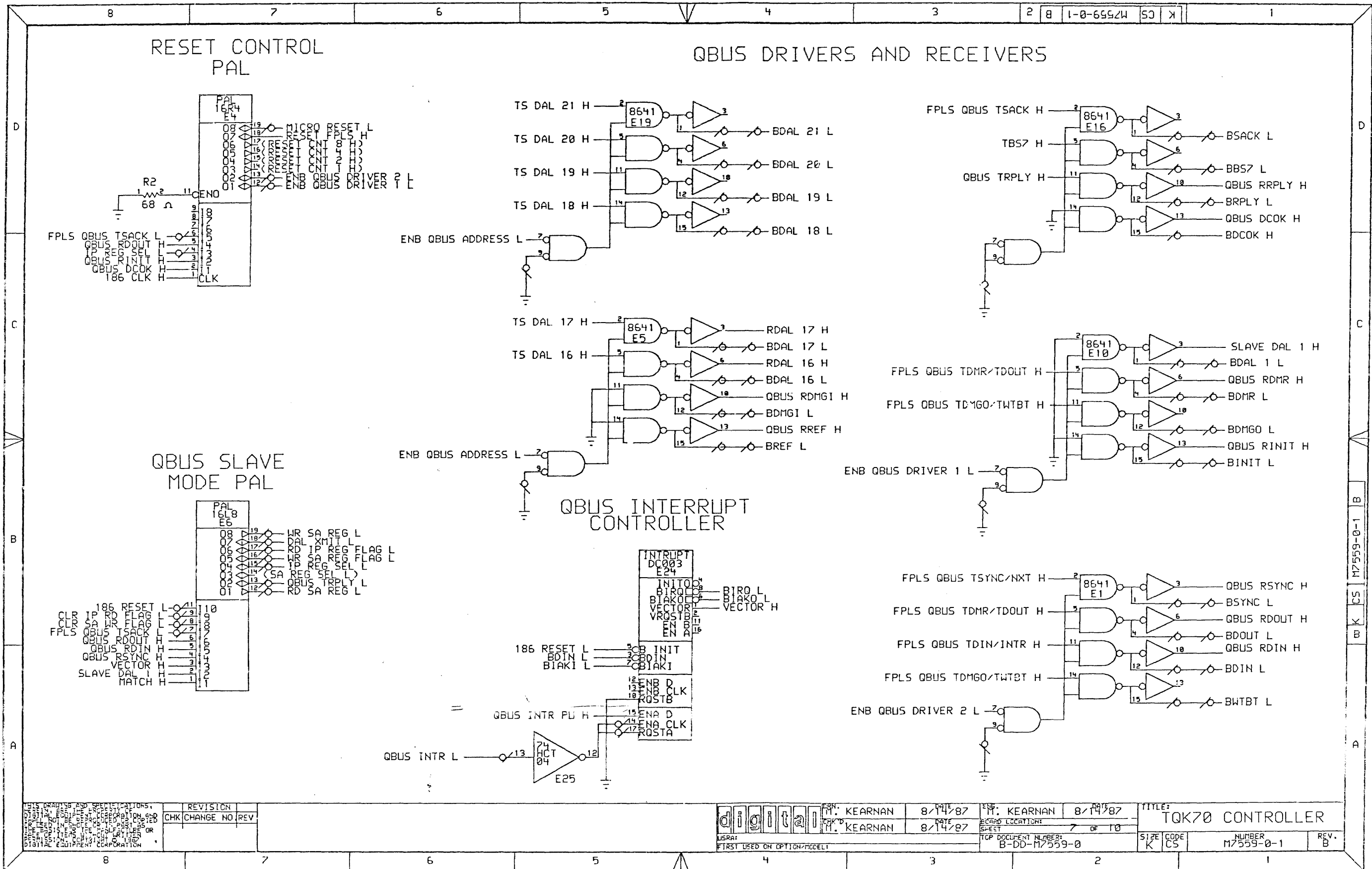
REVISION	
CHK	CHANGE NO. REV

DATE	BY	DATE	BY
8/14/87	KEARNAN	8/14/87	KEARNAN
8/14/87	KEARNAN	8/14/87	KEARNAN

USRA1			
FIRST USED ON OPTION/MODEL:			

TITLE:	TQK70 CONTROLLER
BOARD LOCATION:	6 of 10
SHEET:	
TOP DOCUMENT NUMBER:	B-DD-M7559-0
SIZE:	K CS
CODE:	
NUMBER:	M7559-0-1
REV.:	B

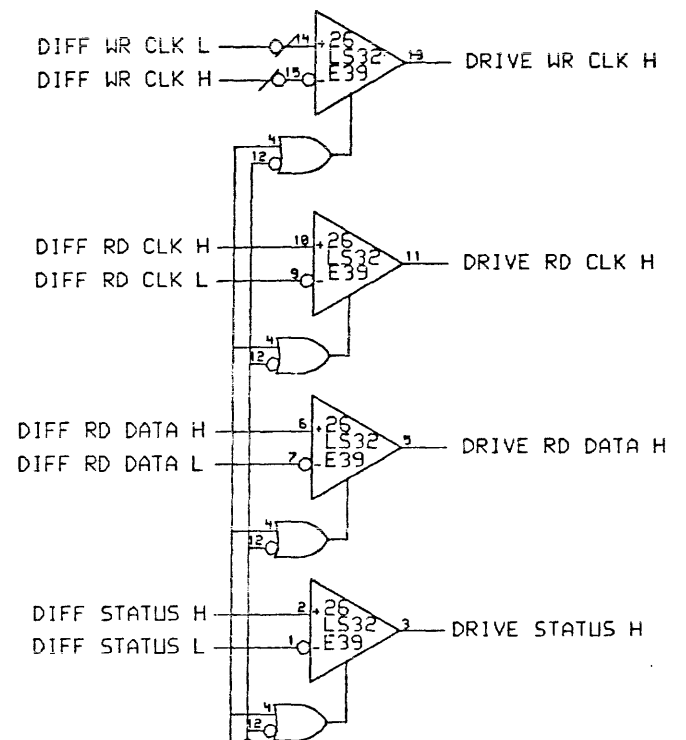
B K CS M7559-0-1 B



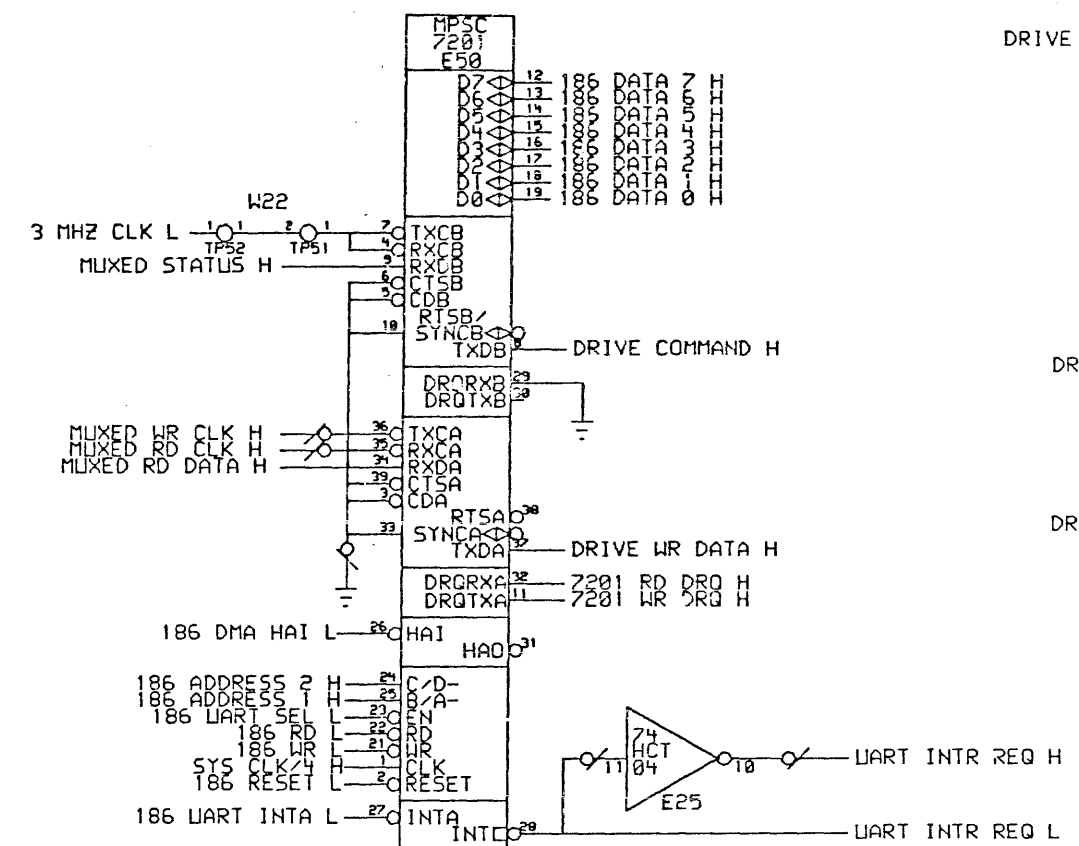
REVISION	CHK	CHANGE NO	REV

DESIGNED BY: KEARNAN	DATE: 8/14/87	ENGR: KEARNAN	DATE: 8/14/87	TITLE: TQK70 CONTROLLER
CHECKED BY: KEARNAN	DATE: 8/14/87	DESIGN LOCATION: 7	OF 10 SHEETS	SIZE: K CS
USRA: FIRST USED ON OPTION/MODEL:	TCP DOCUMENT NUMBER: B-DD-M7559-0	NUMBER: M7559-0-1	REV: B	

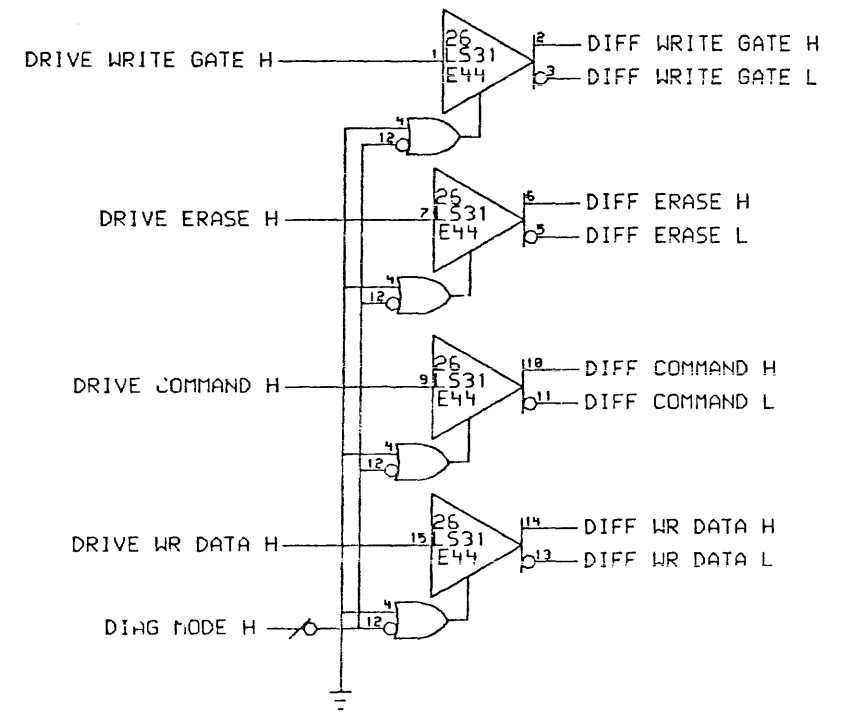
DRIVE RECEIVERS



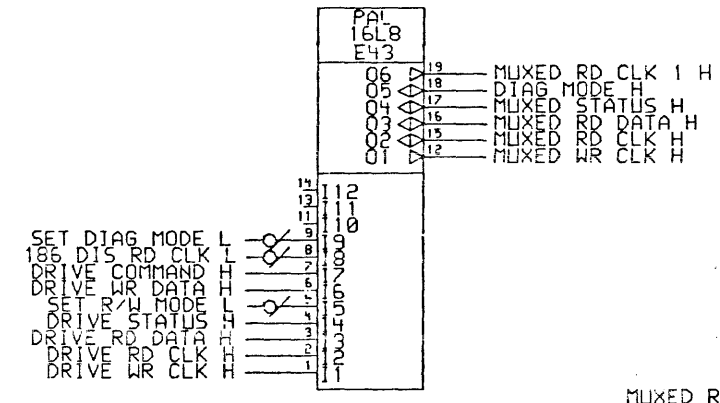
SERIAL COMMUNICATION CONTROLLER



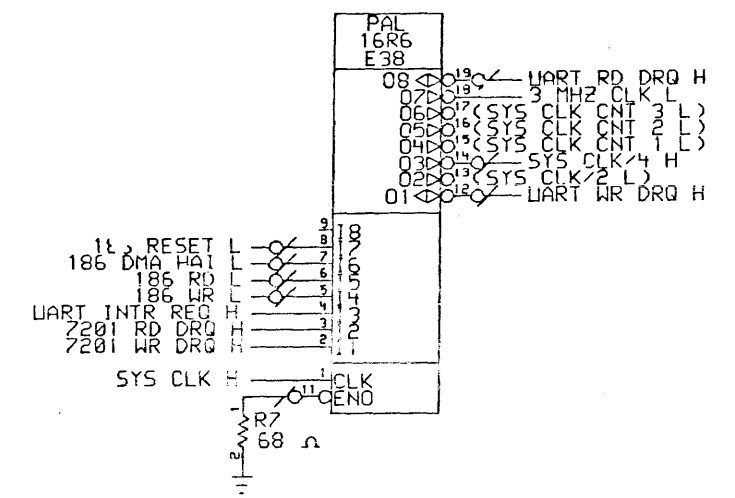
DRIVE TRANSMITTERS



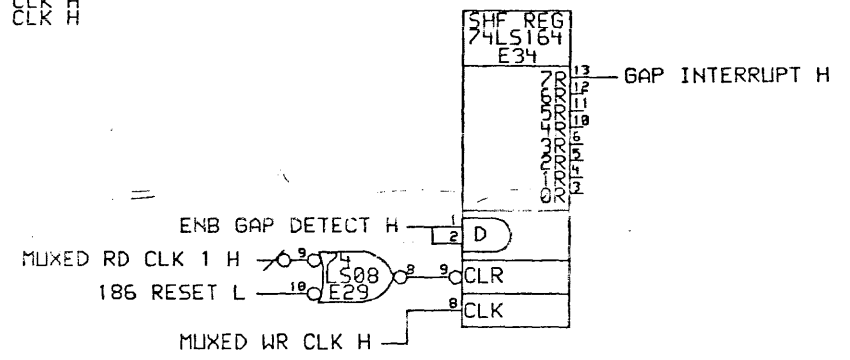
DIAGNOSTIC MUX PAL



CLOCK GENERATION PAL



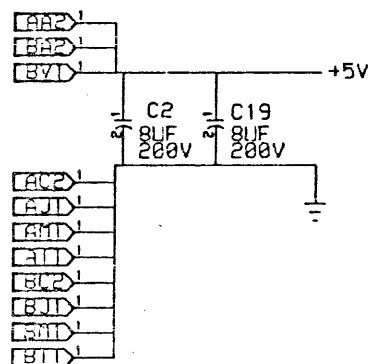
GAP DETECTION



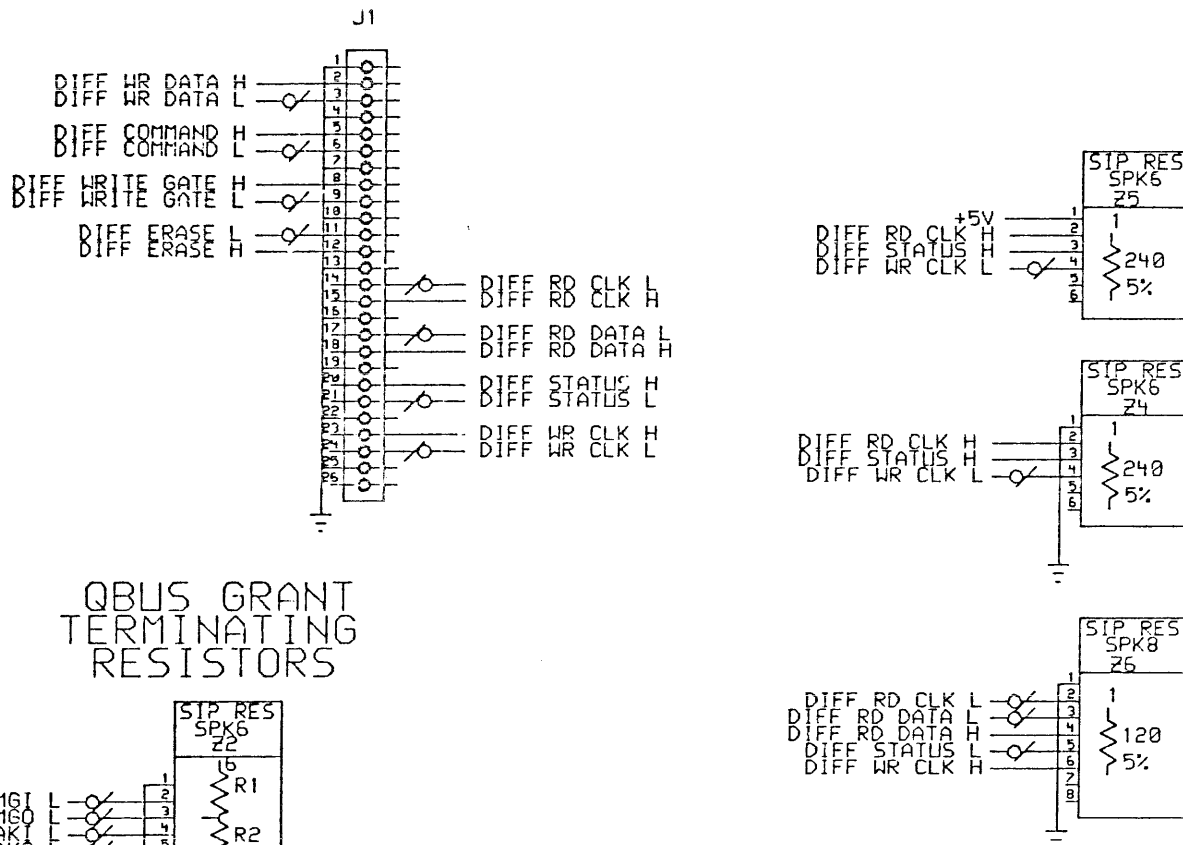
QBUS SIGNAL PINS

- BA1 BDCOK H
- BA2 BINIT L
- BA3 BDAL 21 L
- BA4 BDAL 20 L
- BA5 BDAL 19 L
- BA6 BDAL 18 L
- BA7 BDAL 17 L
- BA8 BDAL 16 L
- BA9 BDAL 15 L
- BA10 BDAL 14 L
- BA11 BDAL 13 L
- BA12 BDAL 12 L
- BA13 BDAL 11 L
- BA14 BDAL 10 L
- BA15 BDAL 9 L
- BA16 BDAL 8 L
- BA17 BDAL 7 L
- BA18 BDAL 6 L
- BA19 BDAL 5 L
- BA20 BDAL 4 L
- BA21 BDAL 3 L
- BA22 BDAL 2 L
- BA23 BDAL 1 L
- BA24 BDAL 0 L
- BA25 BDMR L
- BA26 BDMG1 L
- BA27 BDMG0 L
- BA28 BSACK L
- BA29 BWTBT L
- BA30 BSYNC L
- BA31 BDIN L
- BA32 BDOUT L
- BA33 BRPLY L
- BA34 BIRO L
- BA35 BIAKI L
- BA36 BIAKO L
- BA37 BREF L
- BA38 BBS7 L

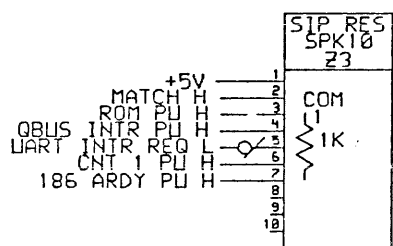
QBUS POWER PINS



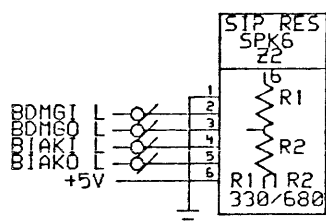
DRIVE CONNECTOR & TERMINATING RESISTORS



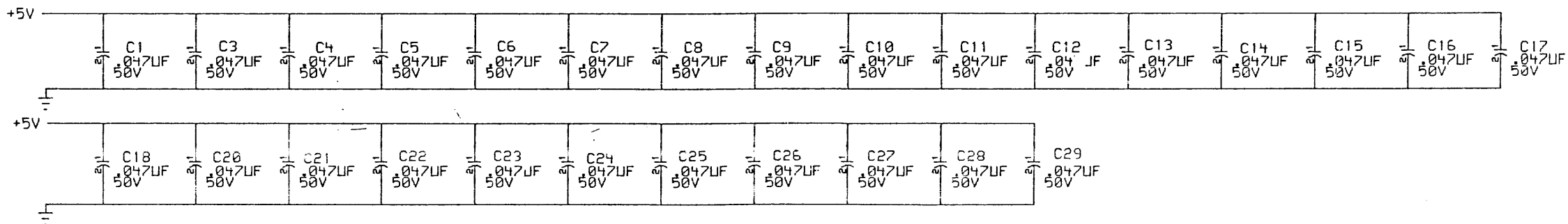
PULL UP RESISTORS



QBUS GRANT TERMINATING RESISTORS



CONTROLLER DECOUPLING CAPS



ALL DIMENSIONS AND SPECIFICATIONS, UNLESS OTHERWISE SPECIFIED, SHALL BE IN ACCORDANCE WITH THE MIL-STD-883C METHOD 2000, TEST CASE 1000, AND THE MIL-STD-883C METHOD 2000, TEST CASE 1000, AND THE MIL-STD-883C METHOD 2000, TEST CASE 1000.

REVISION	CHK	CHANGE NO.	REV.

digital
FIRST USED ON OPTION CODE L1

DESIGNED BY: M. KEARNAN	DATE: 8/14/87	ENGR. BY: M. KEARNAN	DATE: 8/14/87
CHECKED BY: M. KEARNAN	DATE: 8/14/87	REVISION: 9	OF 10
TOP DOCUMENT NUMBER: B-DD-M7559-0		SHEET: 9	

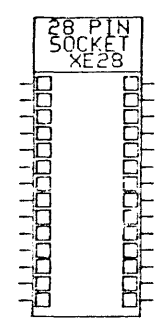
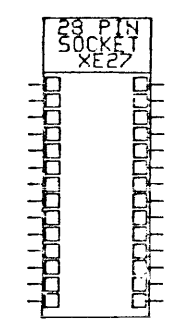
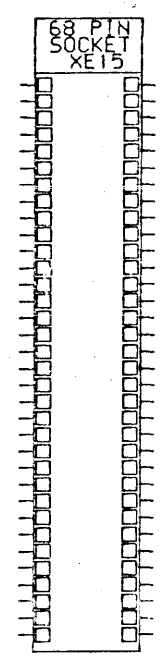
TITLE: TQK70 CONTROLLER			
SIZE: K	CODE: CS	NUMBER: M7559-0-1	REV: B

8 7 6 5 4 3 2 8 1-0-69924 CS K 1

D
C
B
A

D
C
B
A

SOCKETS



B
CS
K
M7559-0-1

ALL DRAWINGS AND SPECIFICATIONS FOR DIGITAL EQUIPMENT CORPORATION AND ITS PRODUCTS ARE THE PROPERTY OF DIGITAL EQUIPMENT CORPORATION. NO PART OF THIS DOCUMENT IS TO BE REPRODUCED OR TRANSMITTED IN ANY FORM OR BY ANY MEANS, ELECTRONIC OR MECHANICAL, INCLUDING PHOTOCOPYING, RECORDING, OR BY ANY INFORMATION STORAGE AND RETRIEVAL SYSTEM, WITHOUT PERMISSION IN WRITING FROM DIGITAL EQUIPMENT CORPORATION.

REVISION	
CHK	CHANGE NO. REV.

digital
 DESIGNED BY: M. KEARNAN
 CHECKED BY: M. KEARNAN
 DATE: 8/14/87
 DATE: 8/14/87
 FIRST USED ON OPTION/MODEL:

DESIGNED BY:	M. KEARNAN	DATE:	8/14/87
CHECKED BY:	M. KEARNAN	DATE:	8/14/87

DESIGNED BY:	M. KEARNAN	DATE:	8/14/87
BOARD LOCATION:	10 OF 10		
SHEET:	10 OF 10		
TOP DOCUMENT NUMBER:	B-DD-M7559-0		

TITLE: TQK70 CONTROLLER			
SIZE:	CODE:	NUMBER:	REV.:
K	CS	M7559-0-1	B

8 7 6 5 4 3 2 1

* THE MATERIAL HEREIN IS FOR INFORMATION PURPOSES ONLY AND IS SUBJECT TO CHANGE WITHOUT NOTICE. DIGITAL EQUIPMENT CORPORATION ASSUMES NO RESPONSIBILITY FOR ANY ERRORS WHICH MAY APPEAR HEREIN.*

REVISION MATRIX

* THIS DRAWING AND SPECIFICATIONS, HEREIN, ARE THE PROPERTY OF DIGITAL EQUIPMENT CORPORATION AND SHALL NOT BE REPRODUCED OR COPIED OR USED IN WHOLE OR IN PART AS THE BASIS FOR THE MANUFACTURE OR SALE OF ITEMS WITHOUT WRITTEN PERMISSION. COPYRIGHT © 1986 DIGITAL EQUIPMENT CORPORATION.

OPTION NAME :
TK70-AA

OPTION DESCRIPTION:

RM ECO

ECO DESCRIPTION

OPTION NAME		REVISIONS									
TK70-AA		A1									
PART NO.	DESCRIPTION										
7021736-02	MOTOR BASEPLATE ASSY	A1									
7021141-01	EXTERNAL SHIELD ASSY	A1									
7023492-01	HEAD BRACKET ASSY	A1									
7023544-01	LEADER LATCH ASSY	A1									

- OPTION LEVEL REVISION
ALPHA DIGIT USED TO INDICATE A FUNCTIONAL CHANGE
NUMERIC DIGIT USED TO INDICATE A NON-FUNCTIONAL CHANGE
- PART NUMBER REVISION
LISTED IN THE VERTICAL COLUMNS DIRECTLY BELOW THE OPTION LEVEL REVISIONS
SHOW THE PART REVISIONS NEEDED TO MAKE UP THAT OPTION LEVEL REVISION.
ALPHA DIGIT USED TO INDICATE A FUNCTIONAL CHANGE
NUMERIC DIGIT USED TO INDICATE A NON-FUNCTIONAL CHANGE

MAG. MEDIA FILENAME: TK70-RM-DBUC

REVISIONS	CHANGE NO.	REV.	A	B	C	D	E
	CHK	INITIAL		TK70-SH001	TK70-SH003	TK70-SH004	TK70-SH005

USED ON OPTION/MODEL	DRN	DATE	TITLE
	R. PUDELKO	5 MAR 87	TK70 REVISION MATRIX DOCUMENT
	CHK'D	DATE	
	A. HIGGINS	12 AUG 87	
	RESP. ENG.	DATE	
	K. CRANSON	12 AUG 87	
	MFG. ENG.	DATE	
	F. BELLIVEAU	31 AUG 87	
	MAINTAINABILITY ENG.	DATE	
	G. SMITH	18 AUG 87	
	TOP DOC.		
	B-DD-TK70-0-DBU		

SIZE	CODE	NUMBER	REV.
B	RM	TK70-0-DBU	E
DIST.			

SHEET 1 OF 3

SHIO

OPTION NAME		REVISIONS															
		A1	A2	B3	C3	D3											
TK70-AA																	
PART NO.	DESCRIPTION																
7021736-02	MOTOR BASEPLATE ASSY	A1	A1	A1	D5	D5											
7021141-01	EXTERNAL SHIELD ASSY	A1	A1	A1	A1	A1											
7023482-01	HEAD/BRACKET ASSY	A1	A1	A1	A1	A1											
7023544-01	LEADER LATCH ASSY	A1	A1	A1	A1	A1											
7023497-01	RECEIVER ASSY	A1	A1	--	--	--											
7024659-01	TACHOMETER ASSY	A1	A1	A1	B1	B1											
7021765-01	INSULATOR ASSY	A1	A1	A1	A1	A1											
7023517-01	BEZEL ASSY	A1	A1	--	--	--											
7428268-01	LEADER TAKE-UP	A2	A2	A2	A2	A2											
7432363-01	ENCLOSURE	A1	-	-	--	--											
7425652-01	SKIDPLATE	B3	B3	B3	B3	B3											
7434038-01	CAPSTAN	A1	A1	A1	A2	A2											
1123276-01	EOT/BOT LED ASSY	B1	B1	B1	B1	E1											
7427668-01	REEL, TAKE-UP	A2	A2	A2	B2	B2											
7435724-01	RETAINER, DAMPER	A1	A1	A1	A1	A1											
7435725-01	DAMPER, VIBRATION	A1	A1	A1	A1	A1											
7023477-01	REEL DRIVER ASSY	A1	A1	A1	A1	A1											
5417637-01	TK70 DRIVE BOARD	A1	A1	A1	A5	B5											
7436424-01	ENCLOSURE	-	A1	A1	A2	A2											
7023497-02	RECEIVER ASSY			A1	B1	B1											
7023517-02	BEZEL ASSY			A1	A1	A1											
NOTES:		REVISION		B	C	D	E										
		DATE	CHG NO.	REV.													
					TK70-SH001	TK70-SH003	TK70-SH004	TK70-SH005									
								1-90									

digital

TITLE: TK70 REVISION MATRIX DOCUMENT

SHEET 2 OF 3

SIZE CODE B RM

NUMBER TK70-0-DBU

REV. E

SHO

OPTION NAME: TK70-AA

INFORMATION SHEET

RM ECO

TK70-SH005

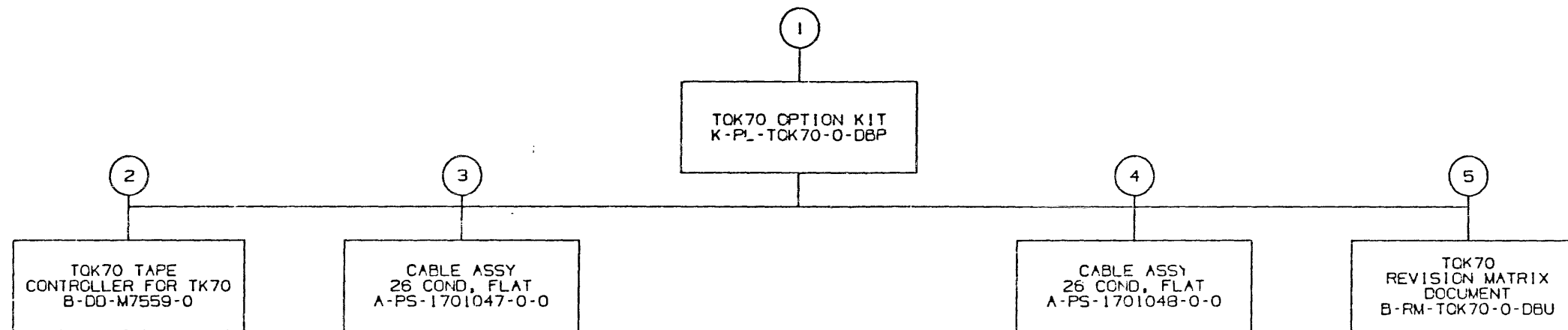
SET HARDWARE REVISION JUMPERS ON 54-17637-01 TO 4 SO THAT FIELD SERVICE CAN TRACK THE (ELECTRO-MECHANICAL) REVISION OF THE DRIVE.

BITS 0-4 ARE USED TO SET THE ELECTRO-MECHANICAL HARDWARE REVISION OF THE TK70.

				REV BITS				
				4	3	2	1	0
A	TP1	TP2	TP3	TP4	TP5	TP6	TP7	TP8
B	TP9	TP10	TP11	TP12	TP13	TP14	TP15	TP16
C	TP17	TP18	TP19	TP20	TP21	TP22	TP23	TP24

- IF PINS IN ROW A & B ARE CONNECTED BY A JUMPER THEN SWITCH IS OFF.
- IF PINS IN ROW B & C ARE CONNECTED BY A JUMPER THEN SWITCH IS ON.

TK70 DRIVE REV.	JUMPER REV.	JUMPER BIT SETTINGS				
		4	3	2	1	0
DRIVE REVISION D	REV 4	OFF	OFF	ON	OFF	OFF



TITLE:	TOK70 OPTION KIT	SHEET 2 OF 3	SIZE CODE B DD	NUMBER TOK70-0-DBU	REV. A
--------	------------------	--------------	-------------------	-----------------------	-----------

FIND NO.	DRAWING NO.	DESCRIPTION	TYPE	FIND NO.	DRAWING NO.	DESCRIPTION	TYPE
1	MP	TOK70 FIELD MAINTENACE PRINT SET	.				
	B-TC-TOK70-0-DBU	TOK70 TABLE OF CONTENTS	.				
	K-PL-TOK70-0-DBP	TOK70 OPTION KIT	E/M				
2	B-DD-M7559-0	TOK70 TAPE CONTROLLER FOR TK70	E/M				
3	A-PS-1701047-0-0	CABLE ASSY 26 COND, FLAT	E/M				
4	A-PS-1701048-0-0	CABLE ASSY 26 COND, FLAT	E/M				
5	B-RM-TOK70-0-DBU	TOK70 REVISION MATRIX DOCUMENT	.				

TYPE: E ELECTRICAL
M MECHANICAL
E/M ELECTRO/MECHANICAL



TITLE: TOK70 OPTION KIT

SHEET 3 OF 3

SIZE CODE
B DD

NUMBER
TOK70-0-DBU

REV.
A

DRAWING NO.	NO. OF SHTS.	PART NO.	DESCRIPTION	REVISIONS															
				A1	A2	A3	B3	C3	C4										
		M7559-00	TQK70 CONTROLLER	A1	A2	A3	B3	C3	C4										
D-02-M7559-0-0	4		TQK70 CONTROLLER	A	B	C	D	E	F										
K-PL-M7559-0-DBP	- 2		PARTS LIST (SH288)	A	B	C	D	E	F										
K-CS-M7559-0-DBX	-		CIRCUIT SCHEMATIC DATA BASE	A	A	B	B	B	B										
D-CS-M7559-0-1	10		CIRCUIT SCHEMATIC	A	A	INA	-	-	-										
K-PC-M7559-0-DBV	-		P.C. DESIGN DATA BASE	A	A	A	A	A	A										
		5017635-01	ETCH CIRCUIT BOARD	A1	A1	A1	A1	A1	A1										
B-00-5017635-0	1		DRAWING DIRECTORY	A	A	A	A	B	B										
K-CS-M7559-0-1	10		CIRCUIT SCHEMATIC	-	-	B	B	B	B										

NOTES:

REVISION HISTORY		A	B	C	D	E	F										
DATE	ECO NO	INIT	SH001	SH002	SH003	SH004	SH005										
FEB 87																	
NOV 87																	
MAR 88																	
JAN 89																	
APR 89																	
AUG 89																	

THIS DRAWING AND THE SPECIFICATIONS CONTAINED HEREIN ARE CONFIDENTIAL AND PROPRIETARY. THEY ARE THE PROPERTY OF DIGITAL EQUIPMENT CORPORATION AND SHALL NOT BE REPRODUCED OR COPIED OR USED IN WHOLE OR IN PART AS THE BASIS FOR THE MANUFACTURE OR SALE OF ITEMS WITHOUT WRITTEN PERMISSION. THIS IS AN UNPUBLISHED WORK PROTECTED UNDER THE FEDERAL COPYRIGHT LAWS. 1987



DRN.	R. KOPPENAL	DATE	23FEB87
CHKD.	R. KOPPENAL	DATE	23FEB87
DES. ENG.	M. KEARNAN	DATE	25FEB87
RESP. ENG.	M. KEARNAN	DATE	25FEB87
MFG. ENG.	C. SWEENY	DATE	2MAR87

TITLE :			
TQK70 CONTROLLER			
DOCUMENTATION NUMBER			
MEDIA	CODE	NUMBER	REV.
B	00	M7559-0	F
SIZE - B			SHEET 1 OF 1

" THE MATERIAL HEREIN IS FOR INFORMATION PURPOSES ONLY AND IS SUBJECT TO CHANGE WITHOUT NOTICE. DIGITAL EQUIPMENT CORPORATION ASSUMES NO RESPONSIBILITY FOR ANY ERRORS WHICH MAY APPEAR HEREIN."

REVISION MATRIX

" THIS DRAWING AND SPECIFICATIONS, HEREIN, ARE THE PROPERTY OF DIGITAL EQUIPMENT CORPORATION AND SHALL NOT BE REPRODUCED OR COPIED OR USED IN WHOLE OR IN PART AS THE BASIS FOR THE MANUFACTURE OR SALE OF ITEMS WITHOUT WRITTEN PERMISSION." COPYRIGHT © 1986 DIGITAL EQUIPMENT CORPORATION.

OPTION NAME:
TOK70-AA

OPTION DESCRIPTION:

RM ECO

ECO DESCRIPTION

OPTION NAME		REVISIONS																			
TOK70-AA																					
PART NO.	DESCRIPTION																				
M7952	TOK70 TAPE CONTROLLER	#2	#1	#3	A1																

1. OPTION LEVEL REVISION
ALPHA DIGIT USED TO INDICATE A FUNCTIONAL CHANGE
NUMERIC DIGIT USED TO INDICATE A NON-FUNCTIONAL CHANGE

2. PART NUMBER REVISION
LISTED IN THE VERTICAL COLUMNS DIRECTLY BELOW THE OPTION LEVEL REVISIONS.
SHOW THE PART REVISIONS NEEDED TO MAKE UTHAT OPTION LEVEL REVISION.
ALPHA DIGIT USED TO INDICATE A FUNCTIONAL CHANGE
NUMERIC DIGIT USED TO INDICATE A NON-FUNCTIONAL CHANGE

3. THESE ENTRIES SHOW THE REVISION LEVELS OF THE PART THAT MAY BE USED AS SPARES.

MAG. MEDIA FILENAME: TOK70-RM-DBUA

REVISIONS	CHANGE NO.	REV.	INITIAL	A	USED ON OPTION/MODEL	DRN	DATE	TITLE	SIZE	CODE	NUMBER	REV.
	CHK						R. PUDELKO	18 AUG 87	DIGITAL			
						M. KEARMAN	31 AUG 87	TOK70 REVISION MATRIX DOCUMENT				
						M. KEARMAN	31 AUG 87					
						G. KIAH	1 SEP 87					
						G. SMITH	18 AUG 87		B	RM	TOK70-0-DBU	A
						TOP DOC.						
						B-DD-TOK70-0-DBU						

SHEET 1 OF 2

SHO

OPTION NAME		REVISIONS															
TOK70-AA		A1															

PART NO.	DESCRIPTION	A3	*A1	*A2														
M7559	TOK70 TAPE CONTROLLER																	

NOTES:

- * REVISIONS A1 AND A2 ARE FUNCTIONALLY EQUIVALENT TO REVISION A3 IF E27 IS LABELED 7/23 L OR 157E6-00 AND E28 IS LABELED 7/23 H OR 158E6-00.

REVISION	DATE	CHG	NO.	REV.														

SHO