

DRAWING DIRECTORY

THIS DRAWING AND SPECIFICATIONS, HEREIN, ARE THE PROPERTY OF DIGITAL EQUIPMENT CORPORATION AND SHALL NOT BE REPRODUCED OR COPIED OR USED IN WHOLE OR IN PART AS THE BASIS FOR THE MANUFACTURE OR SALE OF ITEMS WITHOUT WRITTEN PERMISSION. COPYRIGHT © 1975, DIGITAL EQUIPMENT CORPORATION

CUSTOMER PRINT SET INDEX

THIS IS PRINT SET

DRAWING DIRECTORY LK11
ASSEMBLY, LK11 (P.L.)
PUSHBUTTON INT.
DRAWING DIRECTORY LK04
SHIPPING LIST

SEQUENCE

- B-DDLK11-0
- A-PL-LK11-0-0
- B-DD-M7060-0
- B-DD-LK04-0
- A-PL-LK11-0-2

SEQUENCE

UNIT VARIATIONS		PRINT SET			
VAR	TITLE	LK11-0	LK11-0	LK11-0	LK11-0
LK11-0	ASSEMBLY, LK11	X			

REVISIONS		DATE	CHG. NO.	REV
		12-75	LK11-1	A

USED ON OPTION/MODEL		DRN.	DATE	TITLE	
		CB MCCOY	5-1-75		ASSEMBLY, LK11
		CHK'D. <i>OK Galbo</i>	5-29-75		
		PROJ ENG. <i>L. ...</i>			
		PRG. <i>R. ...</i>	9-8-75		
		FIELD SERV. <i>T. ...</i>	8 Sept 75		
SHEET 1 OF 2		SIZE	CODE	NUMBER	REV
		B	DD	LK11-0	A

CUSTOMER PRINT SET		ELECTRICAL							CUSTOMER PRINT SET		MECHANICAL							
		NO.	DRAWING NO.	REV	NO OF SHT	DESCRIPTION	OPTION NO./FILE DATE	NO.			DRAWING NO.	REV	NO OF SHT	DESCRIPTION	OPTION NO./FILE DATE			
X			1	A-PL-LK11-Ø-Ø	#	1	ASSEMBLY, LK11							2	A-SP-3700208-0-0	2	LK11 PCKG INSTR	
C				B-DD-LKØ4-Ø	#	2	DRAWING DIRECTORY, LKØ4											
C				B-DD-M7Ø6Ø-Ø	#	3	PUSHBUTTON INT.											
		X		A-SP-LK11-Ø-1	#		ENGINEERING SPEC											
X				A-PL-LK11-Ø-2	#	1	SHIPPING LIST											
CUSTOMER PRINT SET CODES	X = PRINT OF DOCUMENT INCLUDED IN PRINT SET C = INCLUDES ALL PRINTS INDICATED ON DOCUMENT S = CONFIDENTIAL AUTHORIZED SIGNATURE REQUIRED								TITLE		SIZE CODE		NUMBER		REV			
									ASSEMBLY, LK11		SHEET 2 OF 2 B DD		LK11-Ø		A			

DIGITAL EQUIPMENT CORPORATION MAYNARD, MASSACHUSETTS PARTS LIST					QUANTITY / VARIATION									
MADE BY	C. MCCOY	CHECKED	<i>K. Klatke</i>	SECTION										
DATE	5/1/75	DATE	5-29-75	1										
ENG	<i>K. Klatke</i>	PROD	<i>K. Klatke</i>	ISSUED SECT.										
DATE	5-27-75	DATE	5-8-75	1										
ITEM NO.	DWG NO. / PART NO.	DESCRIPTION												
1	D-UA-LK04-0-0	ASSEMBLY, LK04			1									
2	M7060	PUSHBUTTON INT.			1									
3	A SP-3700208 -0-0	LK11 PKG. INSTR.			1									
TITLE				ASSY NO.	SIZE	CODE	NUMBER	REV.	ECO NO.					
ASSEMBLY, LK11				//	A	PL	LK11-0-0	A	LK11-0001					
SHEET				1	OF	1	DIST.							

DEC FORM DEC 16 (325) 1031 N870
DRA 110

CUSTOMER PRINT SET INDEX

PUSH BUTTON CONTROL
PUSH BUTTON CONTROL

SEQUENCE

-D-UA-M7060-0-0
-D-CS-M7060-0-1

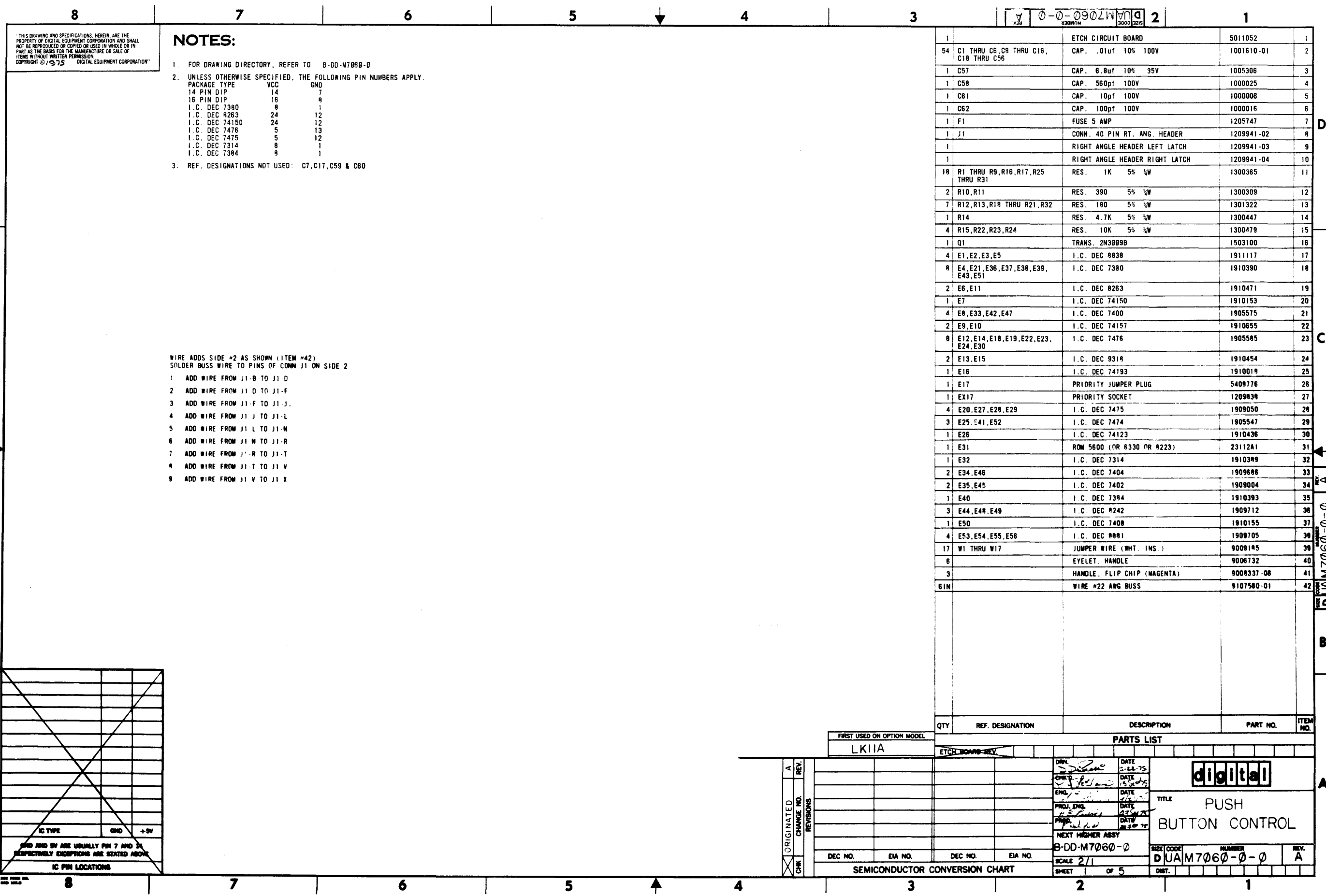
SEQUENCE

THIS IS PRINT SET

UNIT VARIATIONS		PRINT SET
VAR	TITLE	X
M7060	PUSH BUTTON CONTROL	

DEC 16-1981-1881-1-1-1-1-1-1-1-1-1-1

REVISIONS	DATE	CHG. NO.	REV		USED ON OPTION/MODEL	DRA. <i>D. D. E. [Signature]</i>	DATE 5-22-75	TITLE PUSH BUTTON CONTROL				
						LK11A	CHK'D. <i>[Signature]</i>					DATE 25 SEP 75
							PROJ. ENG. <i>H. P. [Signature]</i>					DATE 27 SEP 75
							PROD. <i>[Signature]</i>					DATE 25 SEP 75
							FIELD SERV. <i>[Signature]</i>					DATE 25 SEP 75
							SHEET 1 OF 2					<i>[Signature]</i>
				SIZE	CODE	NUMBER		REV				
				B	DD	M7060-0						
				DIST								



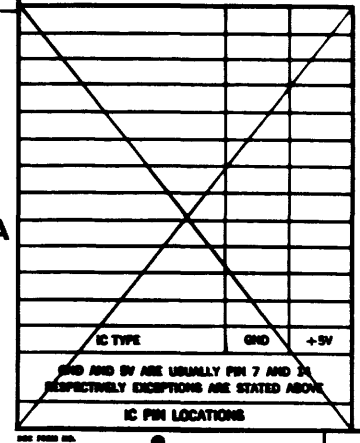
"THIS DRAWING AND SPECIFICATIONS, HEREIN, ARE THE PROPERTY OF DIGITAL EQUIPMENT CORPORATION AND SHALL NOT BE REPRODUCED OR COPIED OR USED IN WHOLE OR IN PART AS THE BASIS FOR THE MANUFACTURE OR SALE OF ITEMS WITHOUT WRITTEN PERMISSION."
 COPYRIGHT © 1975 DIGITAL EQUIPMENT CORPORATION

NOTES:

- FOR DRAWING DIRECTORY, REFER TO B-DD-M7060-0
- UNLESS OTHERWISE SPECIFIED, THE FOLLOWING PIN NUMBERS APPLY.

PACKAGE TYPE	VCC	GND
14 PIN DIP	14	7
16 PIN DIP	16	8
I.C. DEC 7380	8	1
I.C. DEC 8263	24	12
I.C. DEC 74150	24	12
I.C. DEC 7476	5	13
I.C. DEC 7475	5	12
I.C. DEC 7314	8	1
I.C. DEC 7384	8	1
- REF. DESIGNATIONS NOT USED: C7, C17, C59 & C60

- WIRE ADDS SIDE #2 AS SHOWN (ITEM #42)
 SOLDER BUSS WIRE TO PINS OF CONN J1 ON SIDE 2
- ADD WIRE FROM J1-B TO J1-D
 - ADD WIRE FROM J1-D TO J1-F
 - ADD WIRE FROM J1-F TO J1-J
 - ADD WIRE FROM J1-J TO J1-L
 - ADD WIRE FROM J1-L TO J1-N
 - ADD WIRE FROM J1-N TO J1-R
 - ADD WIRE FROM J1-R TO J1-T
 - ADD WIRE FROM J1-T TO J1-V
 - ADD WIRE FROM J1-V TO J1-X



QTY	REF. DESIGNATION	DESCRIPTION	PART NO.	ITEM NO.
1		ETCH CIRCUIT BOARD	5011052	1
54	C1 THRU C6, C8 THRU C16, C18 THRU C56	CAP. .01uf 10% 100V	1001610-01	2
1	C57	CAP. 6.8uf 10% 35V	1005306	3
1	C58	CAP. 560pf 100V	1000025	4
1	C61	CAP. 10pf 100V	1000006	5
1	C62	CAP. 100pf 100V	1000016	6
1	F1	FUSE 5 AMP	1205747	7
1	J1	CONN. 40 PIN RT. ANG. HEADER	1209941-02	8
1		RIGHT ANGLE HEADER LEFT LATCH	1209941-03	9
1		RIGHT ANGLE HEADER RIGHT LATCH	1209941-04	10
18	R1 THRU R9, R16, R17, R25 THRU R31	RES. 1K 5% 1/4W	1300365	11
2	R10, R11	RES. 390 5% 1/4W	1300309	12
7	R12, R13, R18 THRU R21, R32	RES. 180 5% 1/4W	1301322	13
1	R14	RES. 4.7K 5% 1/4W	1300447	14
4	R15, R22, R23, R24	RES. 10K 5% 1/4W	1300479	15
1	Q1	TRANS. 2N3009B	1503100	16
4	E1, E2, E3, E5	I.C. DEC 8838	1911117	17
8	E4, E21, E36, E37, E38, E39, E43, E51	I.C. DEC 7380	1910390	18
2	E6, E11	I.C. DEC 8263	1910471	19
1	E7	I.C. DEC 74150	1910153	20
4	E8, E33, E42, E47	I.C. DEC 7400	1905575	21
2	E9, E10	I.C. DEC 74157	1910655	22
8	E12, E14, E18, E19, E22, E23, E24, E30	I.C. DEC 7476	1905595	23
2	E13, E15	I.C. DEC 9318	1910454	24
1	E16	I.C. DEC 74193	1910019	25
1	E17	PRIORITY JUMPER PLUG	5408776	26
1	EX17	PRIORITY SOCKET	1209838	27
4	E20, E27, E28, E29	I.C. DEC 7475	1909050	28
3	E25, E41, E52	I.C. DEC 7474	1905547	29
1	E26	I.C. DEC 74123	1910436	30
1	E31	ROM 5600 (OR 6330 OR 8223)	23112A1	31
1	E32	I.C. DEC 7314	1910389	32
2	E34, E46	I.C. DEC 7404	1909688	33
2	E35, E45	I.C. DEC 7402	1909004	34
1	E40	I.C. DEC 7384	1910393	35
3	E44, E48, E49	I.C. DEC 8242	1909712	36
1	E50	I.C. DEC 7408	1910155	37
4	E53, E54, E55, E56	I.C. DEC 8881	1908705	38
17	W1 THRU W17	JUMPER WIRE (WHT. INS)	9009145	39
6		EYELET, HANDLE	9006732	40
3		HANDLE, FLIP CHIP (MAGENTA)	9008337-08	41
61N		WIRE #22 AWG BUSS	9107560-01	42

FIRST USED ON OPTION MODEL LK11A

ETCH BOARD-REV

ORIGINATED	REV. A	DATE	5-22-75
CHANGE NO.	1	DATE	1/5/75
REVISIONS		DATE	1/2/75
CHK		DATE	2/2/75
		DATE	2/2/75
		DATE	2/2/75

digital

TITLE PUSH BUTTON CONTROL

SEMICONDUCTOR CONVERSION CHART

SCALE 2/1

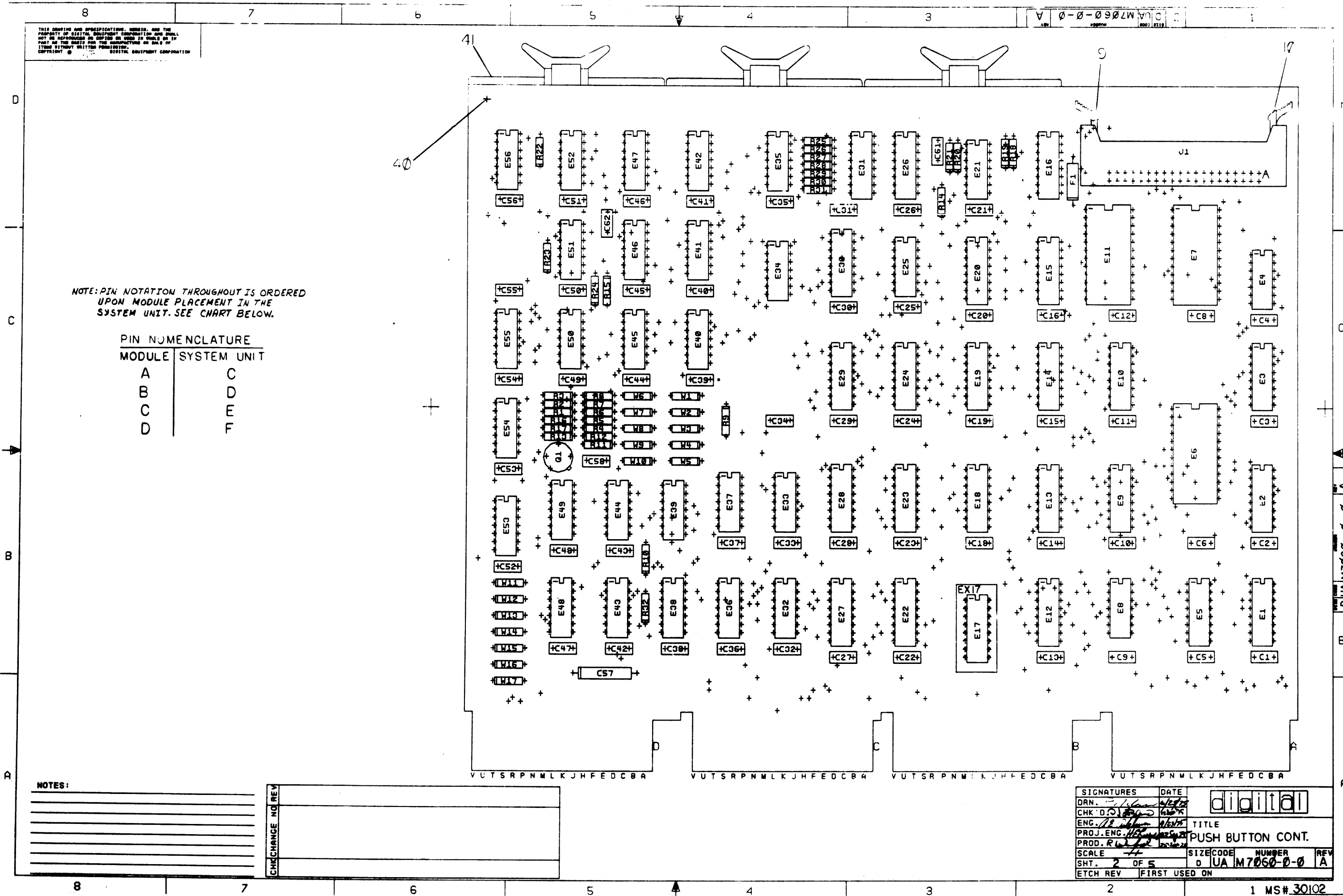
SHEET 1 OF 5

DEC NO. EIA NO. DEC NO. EIA NO.

B-DD-M7060-0

SIZE CODE NUMBER REV. DUA M7060-0-0 A

THIS DRAWING AND SPECIFICATIONS, NUMBER, AND THE PROPERTY OF DIGITAL EQUIPMENT CORPORATION AND SHALL NOT BE REPRODUCED OR COPIED OR USED IN WHOLE OR IN PART AS THE BASIS FOR THE MANUFACTURE OR SALE OF ITEMS WITHOUT WRITTEN PERMISSION.
 COPYRIGHT © DIGITAL EQUIPMENT CORPORATION



NOTE: PIN NOTATION THROUGHOUT IS ORDERED UPON MODULE PLACEMENT IN THE SYSTEM UNIT. SEE CHART BELOW.

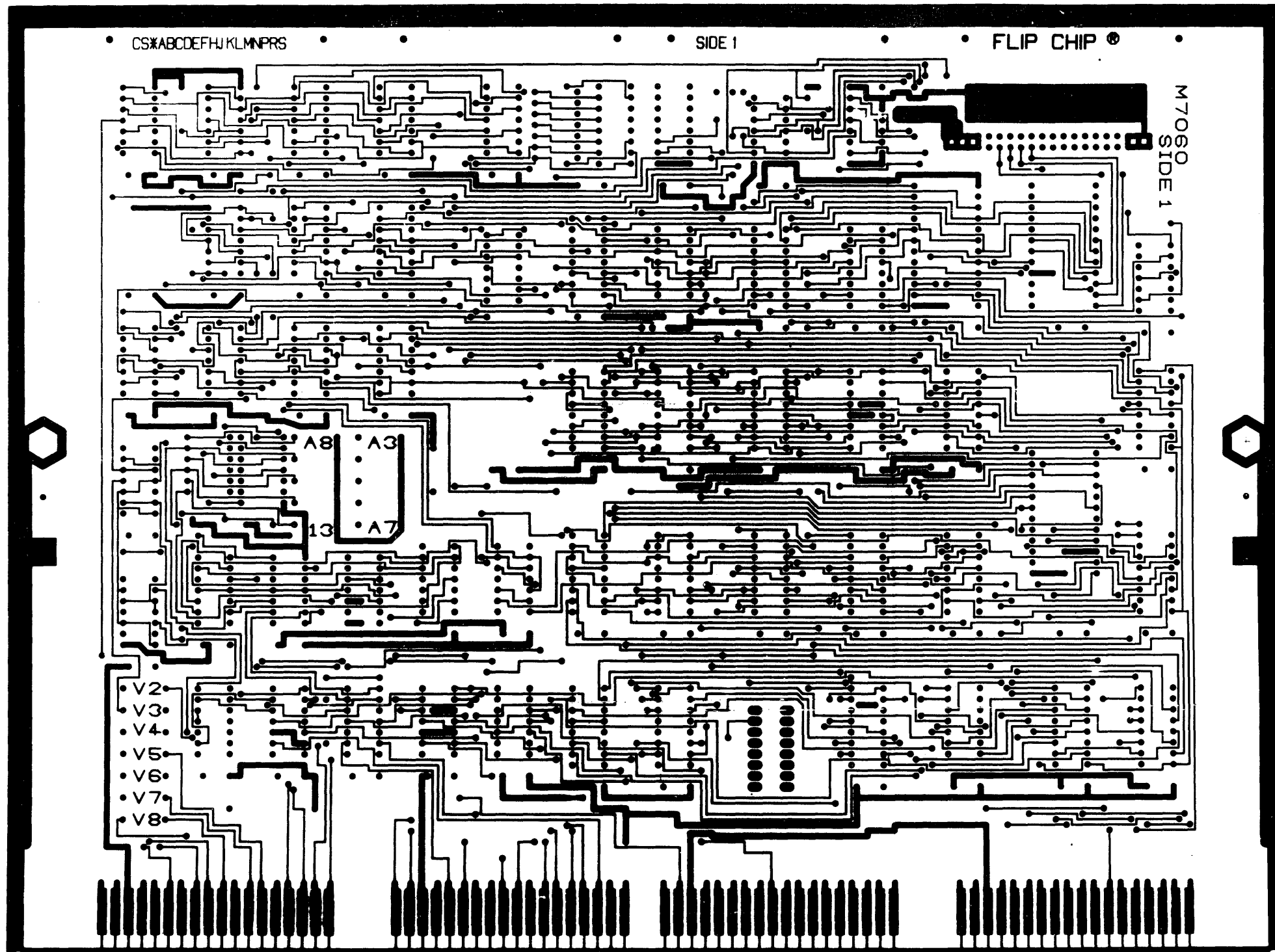
PIN NOMENCLATURE	
MODULE	SYSTEM UNIT
A	C
B	D
C	E
D	F

NOTES:

CHANGE NO	REV

SIGNATURES	DATE	digital
DRN. <i>[Signature]</i>	<i>[Date]</i>	
CHK. D. <i>[Signature]</i>	<i>[Date]</i>	TITLE
ENG. <i>[Signature]</i>	<i>[Date]</i>	PUSH BUTTON CONT.
PROJ. ENG. <i>[Signature]</i>	<i>[Date]</i>	SCALE
PROD. <i>[Signature]</i>	<i>[Date]</i>	SIZE CODE
		NUMBER
		01UA M7060-0-0
		REV
		A
ETCH REV	FIRST USED ON	

THIS DRAWING AND SPECIFICATIONS HEREIN ARE THE PROPERTY OF DIGITAL EQUIPMENT CORPORATION, AND SHALL NOT BE REPRODUCED OR COPIED OR USED IN WHOLE OR IN PART AS THE BASIS FOR THE MANUFACTURE OR SALE OF ITEMS WITHOUT WRITTEN PERMISSION. COPYRIGHT © 1975

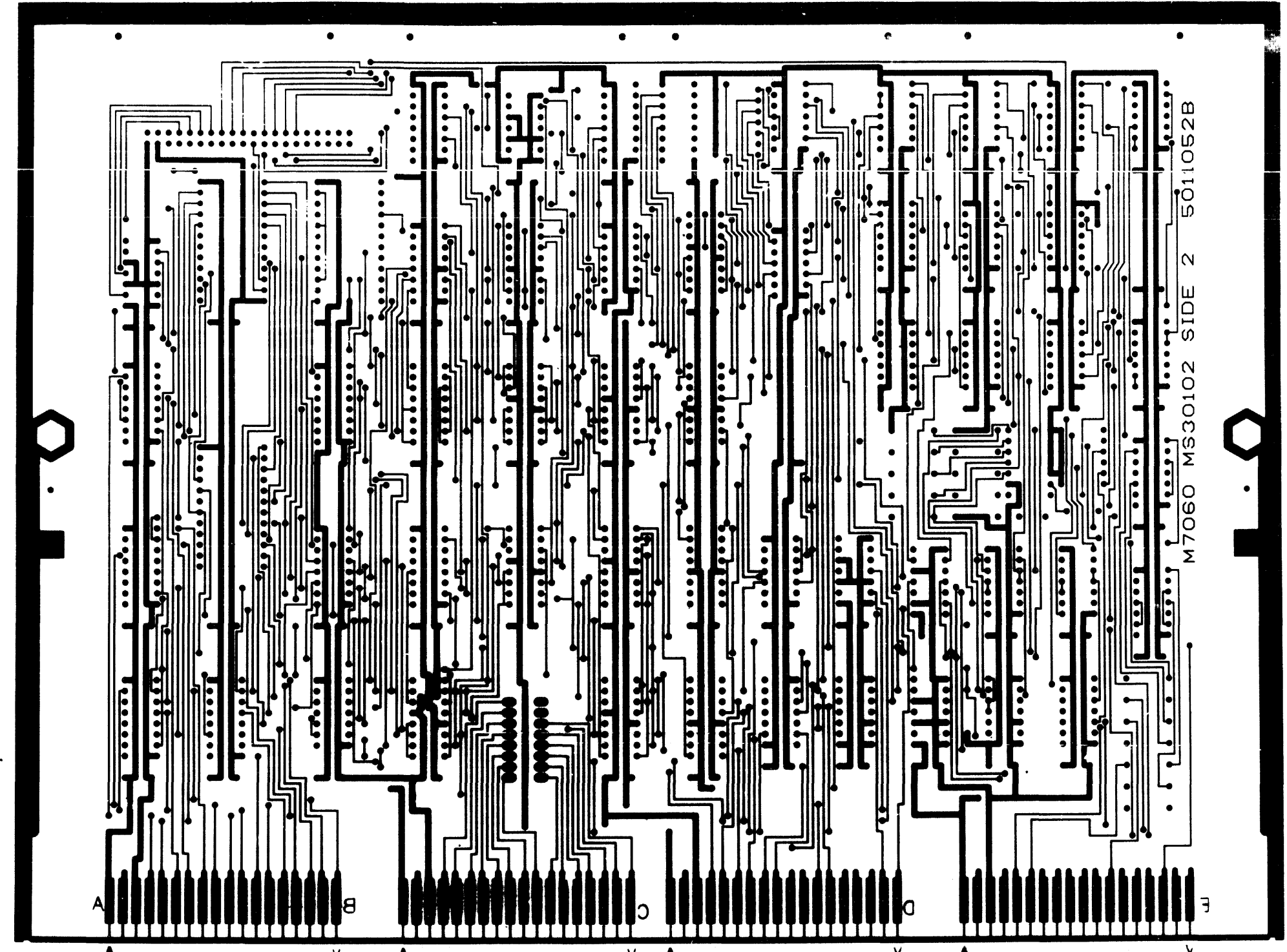


REVISIONS		
CHK	CHANGE NO.	REV.

TITLE	SIZE CODE	NUMBER	REV.
PUSH BUTTON CONTROL	D U A M7060-0-0	A	A
SCALE	SHEET	OF	
1/1	3	5	

DEC FORM NO. 117

ALL DRAWING AND SPECIFICATION HEREIN ARE THE PROPERTY OF DIGITAL EQUIPMENT CORPORATION AND SHALL NOT BE REPRODUCED OR COPIED OR USED IN WHOLE OR IN PART AS THE BASIS FOR THE MANUFACTURE OR SALE OF ITEMS WITHOUT WRITTEN PERMISSION. COPYRIGHT © 1975 DIGITAL EQUIPMENT CORPORATION



M7060 MS30102 SIDE 2 5011052B

A B C D

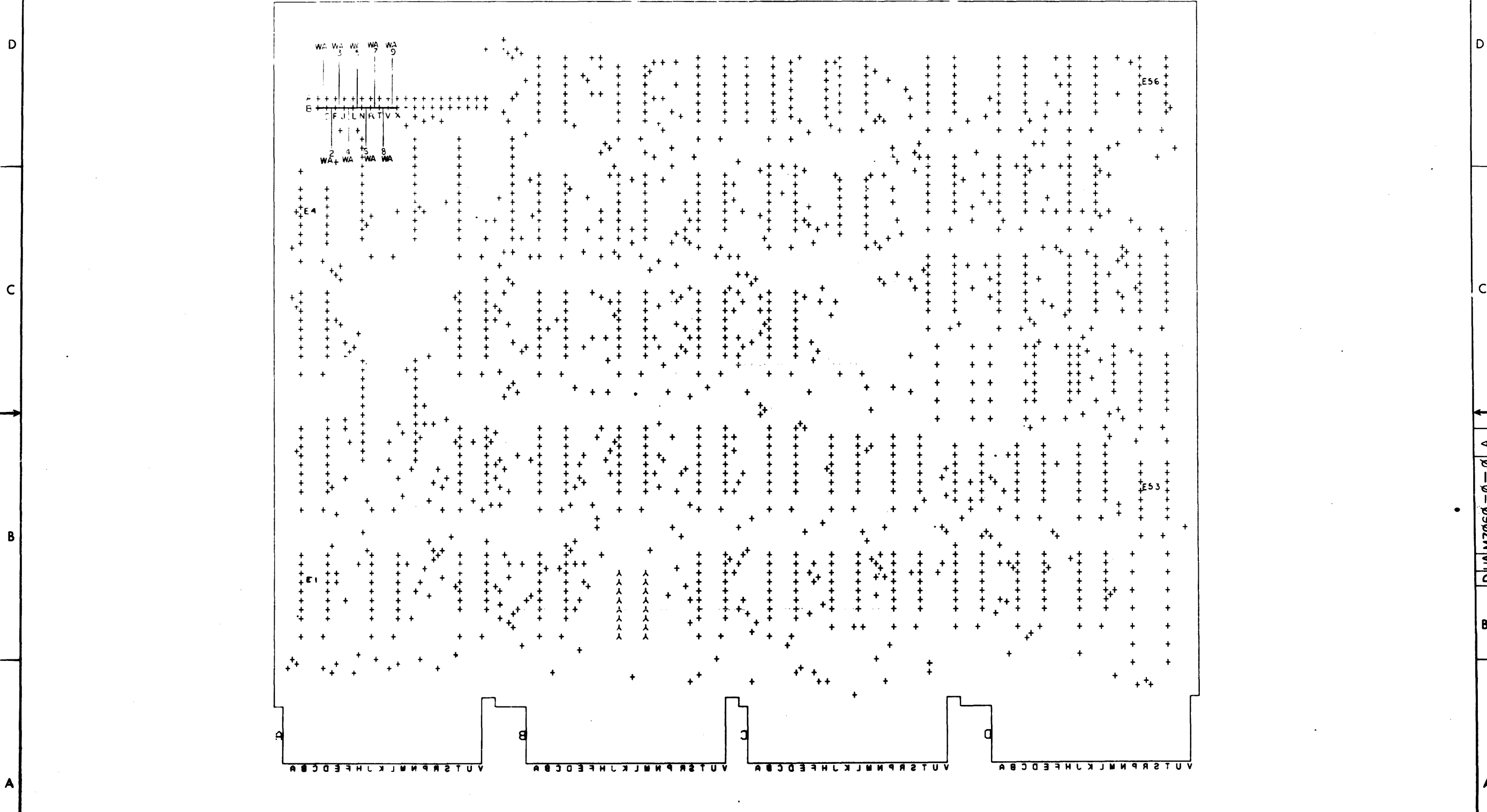
A B C D

DUA M7060-0-0 A

REVISIONS		
CHK	CHANGE NO.	REV.

TITLE	SIZE CODE	NUMBER	REV.
PUSH BUTTON CONTROL	DUA M7060-0-0	A	A
SCALE	SHEET	OF	DIST.
#	4	5	

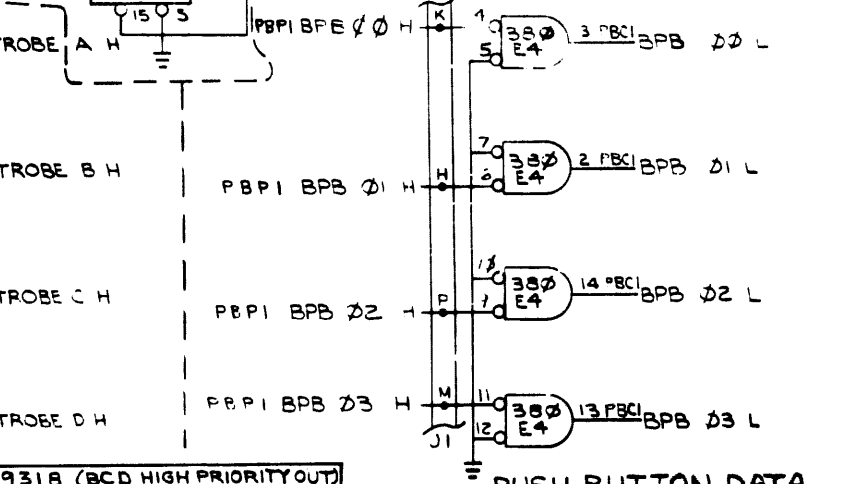
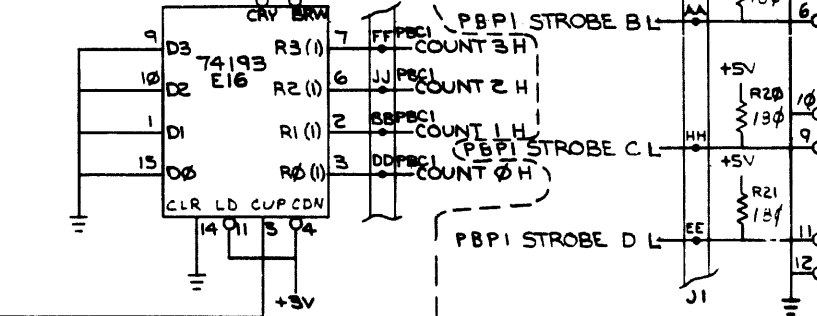
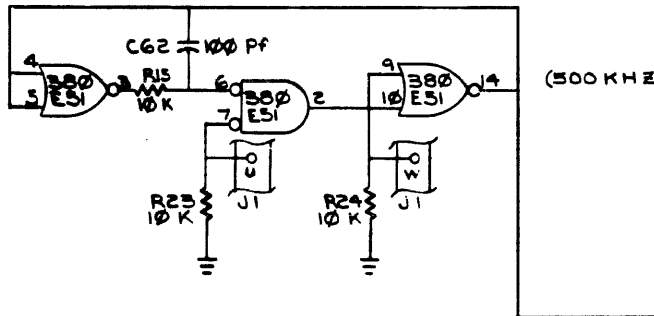
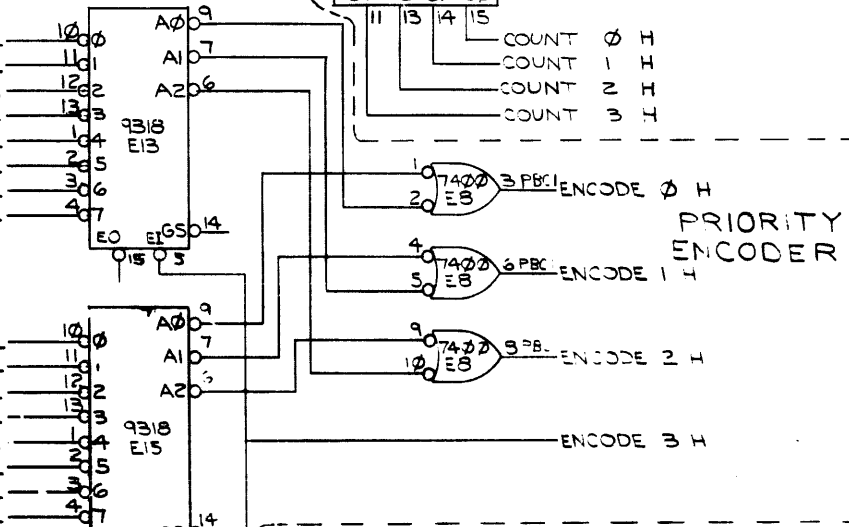
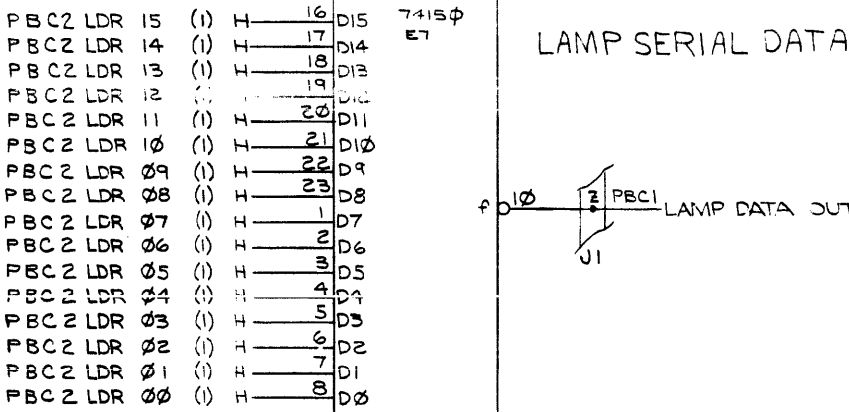
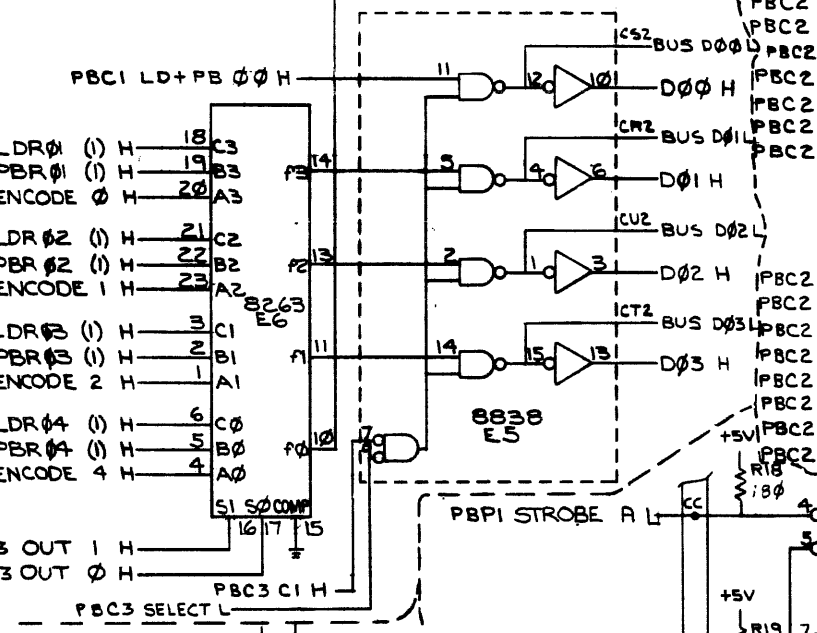
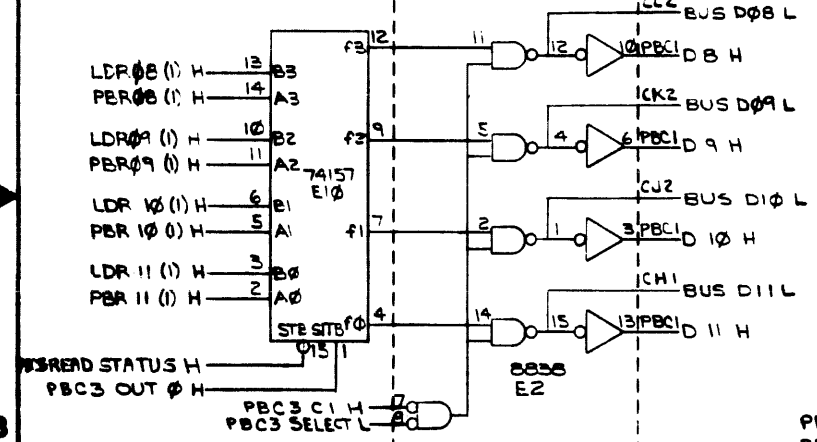
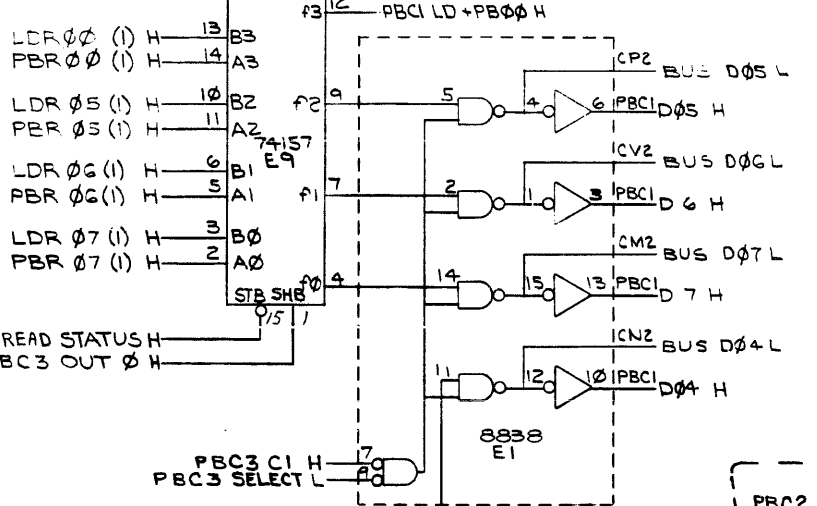
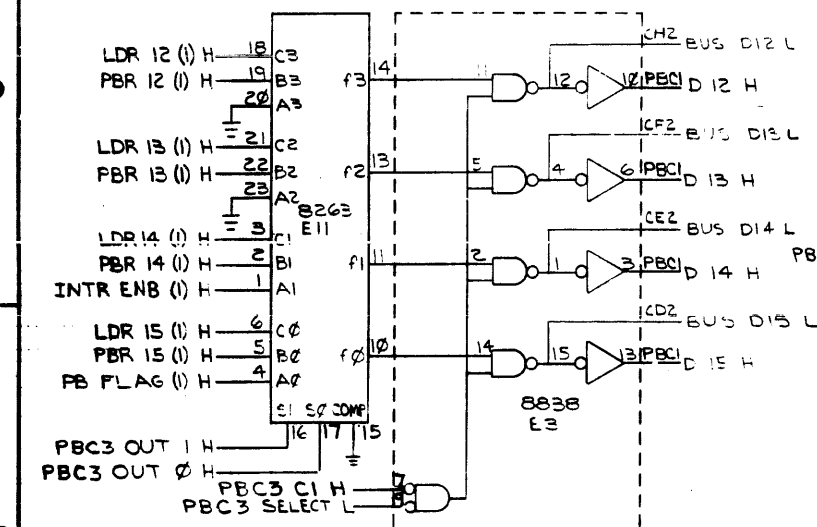
THE DRAWING AND SPECIFICATIONS HEREIN ARE THE PROPERTY OF DIGITAL EQUIPMENT CORPORATION, AND SHALL NOT BE REPRODUCED OR COPIED OR USED IN WHOLE OR IN PART AS THE BASIS FOR THE MANUFACTURE OR SALE OF ITEMS WITHOUT WRITTEN PERMISSION. COPYRIGHT © 1975 DIGITAL EQUIPMENT CORPORATION.



CHANGES		
CHK	CHANGE NO.	REV.

THIS DRAWING AND SPECIFICATIONS, HEREIN, ARE THE PROPERTY OF DIGITAL EQUIPMENT CORPORATION AND SHALL NOT BE REPRODUCED OR COPIED OR USED IN WHOLE OR IN PART AS THE BASIS FOR THE MANUFACTURE OR SALE OF ITEMS WITHOUT WRITTEN PERMISSION. COPYRIGHT © 1975, DIGITAL EQUIPMENT CORPORATION

BUS DATA LINE TRANSEIVERS



8263

INPUT	S1	S0	COMP	OUTPUT
A	H	L	L	A
B	L	L	L	B
C	L	L	L	C

9318 (BCD HIGH PRIORITY OUT)

INPUTS	OUTPUT
EI 0 1 2 3 4 5 6 7	A0 A1 A2 E0
H X → X H	H H H H
L X → X H	L H H H
L X → X L	L L H H
L X → X L H	L L L H
L X → X L H H	L L L L
L X → X L H H H	L L L L
L X → X L H H H H	L L L L
L X → X L H H H H H	L L L L
L X → X L H H H H H H	L L L L

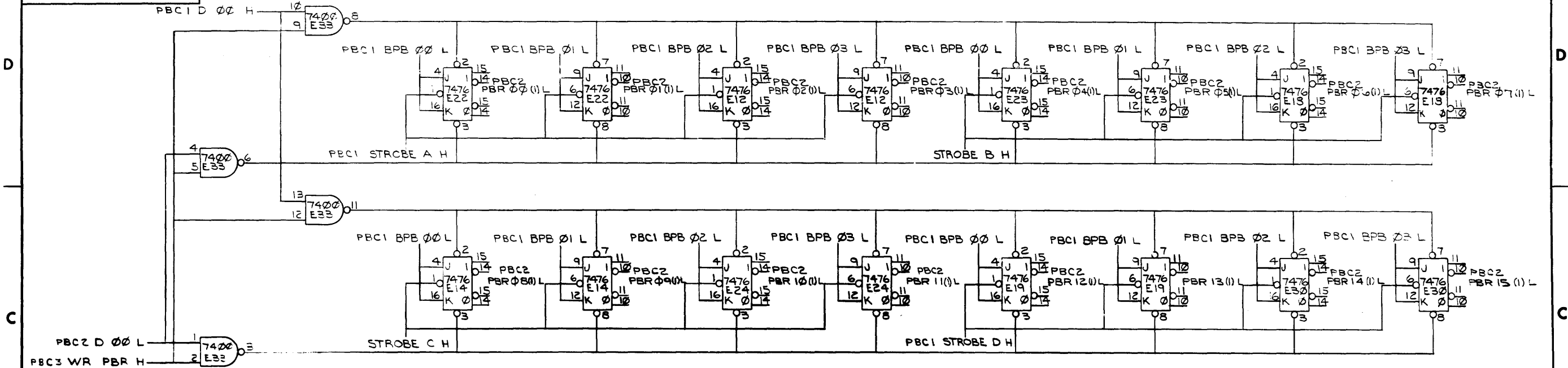
PUSH BUTTON CONTROL

DRN	4/23/75	FIRST USED ON	20-0600
CHK'D	5/13/75	TITLE	PUSH BUTTON CONTROL
ENG.	12/2/75	PROJ. ENG.	PBC1
PROD.	12/2/75	SCALE	1 OF 3
NEXT HIGHER ASSY.		SIZE	D
		CODE	CSM7060-0-1
		NUMBER	A
		REV.	

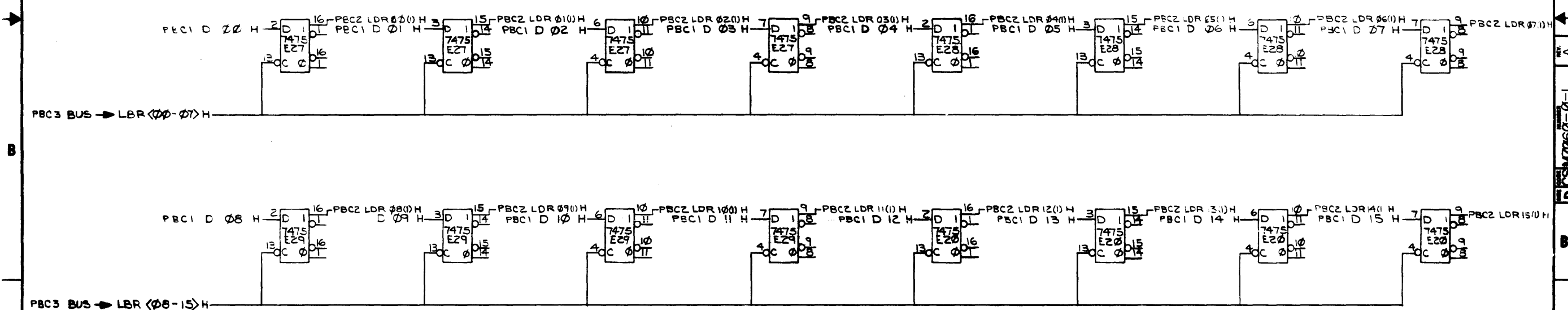
ORIGINATED

"THIS DRAWING AND SPECIFICATIONS, HEREIN, ARE THE PROPERTY OF DIGITAL EQUIPMENT CORPORATION AND SHALL NOT BE REPRODUCED OR COPIED OR USED IN WHOLE OR IN PART AS THE BASIS FOR THE MANUFACTURE OR SALE OF ITEMS WITHOUT WRITTEN PERMISSION. COPYRIGHT © 1975, DIGITAL EQUIPMENT CORPORATION"

PUSH BUTTON REGISTER



LAMP DATA REGISTER

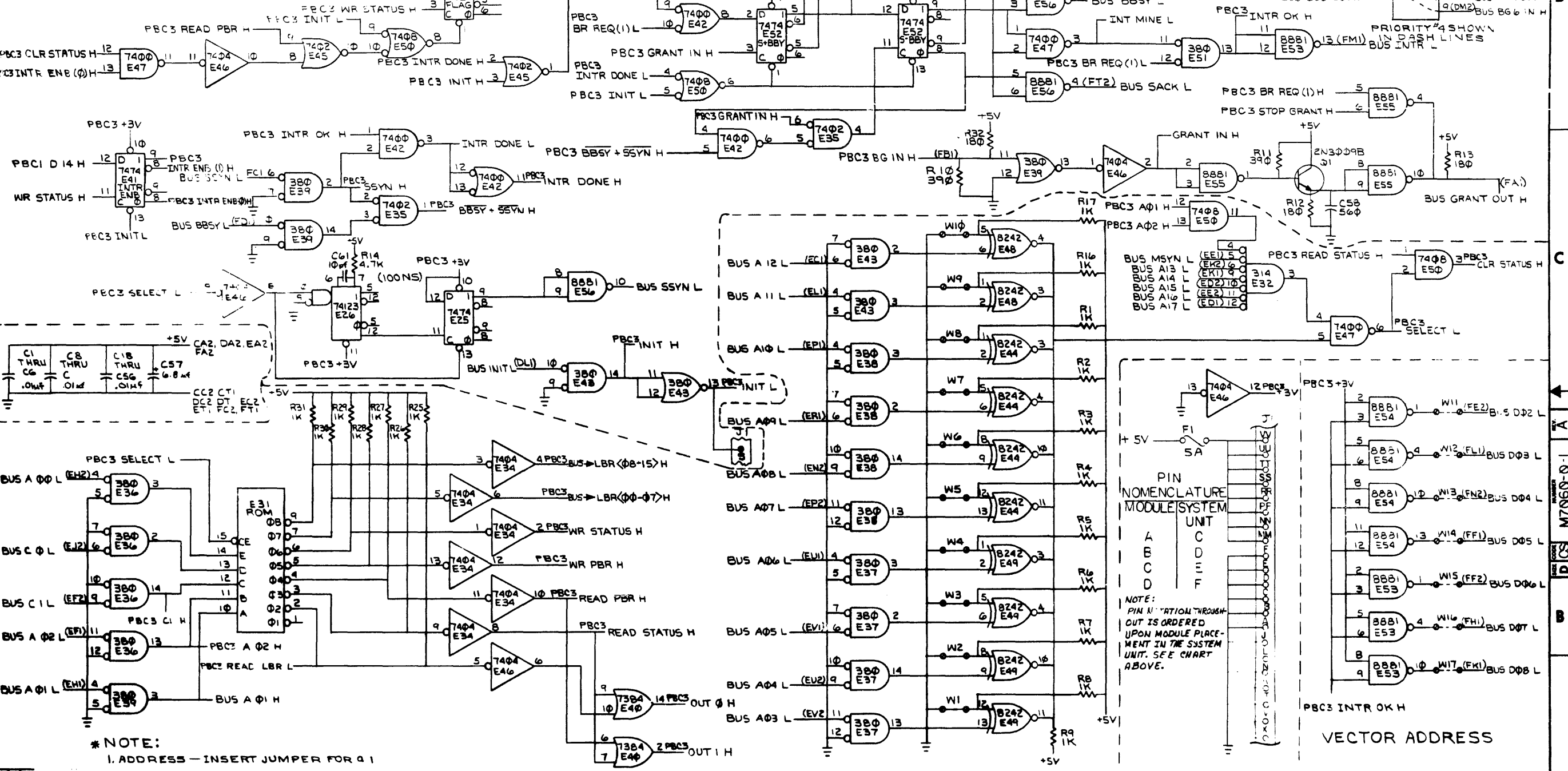


DRN. 00000	CHK'D. 00000	ENG. 00000	PROJ. ENG. 00000	PROD. UNIT 00000	FIRST USED ON	TITLE	REV.
					PUSH BUTTON CONTROL		
					PBC2		
NEXT HIGHER ASSY.		SIZE	CODE	NUMBER	REV.		
B-00-M7000-0		D	CSM7000-0-1	A			
SCALE							
SHEET 2 OF 3							

REV.	8
CHG.	7
APP.	6
CHK.	5
DES.	4
DRN.	3
APP.	2
CHK.	1

"THIS DRAWING AND SPECIFICATIONS HEREIN ARE THE PROPERTY OF DIGITAL EQUIPMENT CORPORATION AND SHALL NOT BE REPRODUCED OR COPIED OR USED IN WHOLE OR IN PART AS THE BASIS FOR THE MANUFACTURE OR SALE OF ITEMS WITHOUT WRITTEN PERMISSION. COPYRIGHT © 1975, DIGITAL EQUIPMENT CORPORATION"

INTERRUPT CONTROL



* NOTE:
1. ADDRESS - INSERT JUMPER FOR 01

ADDRESS DECODES

PIN NOMENCLATURE
MODULE SYSTEM UNIT

A	C
B	D
C	E
D	F

NOTE:
PIN NOTATION THROUGHOUT IS ORDERED UPON MODULE PLACEMENT IN THE SYSTEM UNIT. SEE CHART ABOVE.

VECTOR ADDRESS

DRN. R. W. Cooney	4-16-75	FIRST USED ON	
CHK. D. [Signature]	5-20-75	TITLE	PUSH BUTTON CONTROL
ENG. [Signature]	5-22-75	PROJECT	PBC3
PROD. [Signature]	5-22-75	SIZE CODE	D CS
NEXT HIGHER ASSY.		NUMBER	M7060-0-1
B-DD-M7060-0		REV.	A
SCALE		SHEET	3 OF 3
		DIST.	

DRAWING DIRECTORY

"THIS DRAWING AND SPECIFICATIONS, HEREIN, ARE THE PROPERTY OF DIGITAL EQUIPMENT CORPORATION AND SHALL NOT BE REPRODUCED OR COPIED OR USED IN WHOLE OR IN PART AS THE BASIS FOR THE MANUFACTURE OR SALE OF ITEMS WITHOUT WRITTEN PERMISSION. COPYRIGHT © 1975, DIGITAL EQUIPMENT CORPORATION"

CUSTOMER PRINT SET INDEX

THIS IS PRINT SET

- DRAWING DIRECTORY, LK04
 ASSEMBLY, LK04
 PUSHBUTTON PAD
 DC CONVERTER
 PUSHBUTTON CABLE

SEQUENCE

- B-DD-LK04-0
- D-UA-LK04-0-0
- B-DD-5411054-0
- B-DD-W771-0
- D-IA-7010579-0-0

SEQUENCE

UNIT VARIATIONS		PRINT SET			
VAR	TITLE	LK04			
LK04-0	ASSEMBLY, LK04	X			

REVISIONS	DATE	CHG. NO.	REV	USED ON OPTION/MODEL	DRN. C.B. MCCOY	DATE 5-1-75	TITLE ASSEMBLY, LK04	SIZE CODE NUMBER REV
					CHK'D. DK Coakley	DATE 5-29-75		
					PROJ. ENG. Harvey Lawrence	DATE 9-5-75		
					PROD. M. White	DATE 9-8-75		
					FIELD SERV. H. O. Donald	DATE 8 SEPT 75		
SHEET 1 OF 2					DRN.			

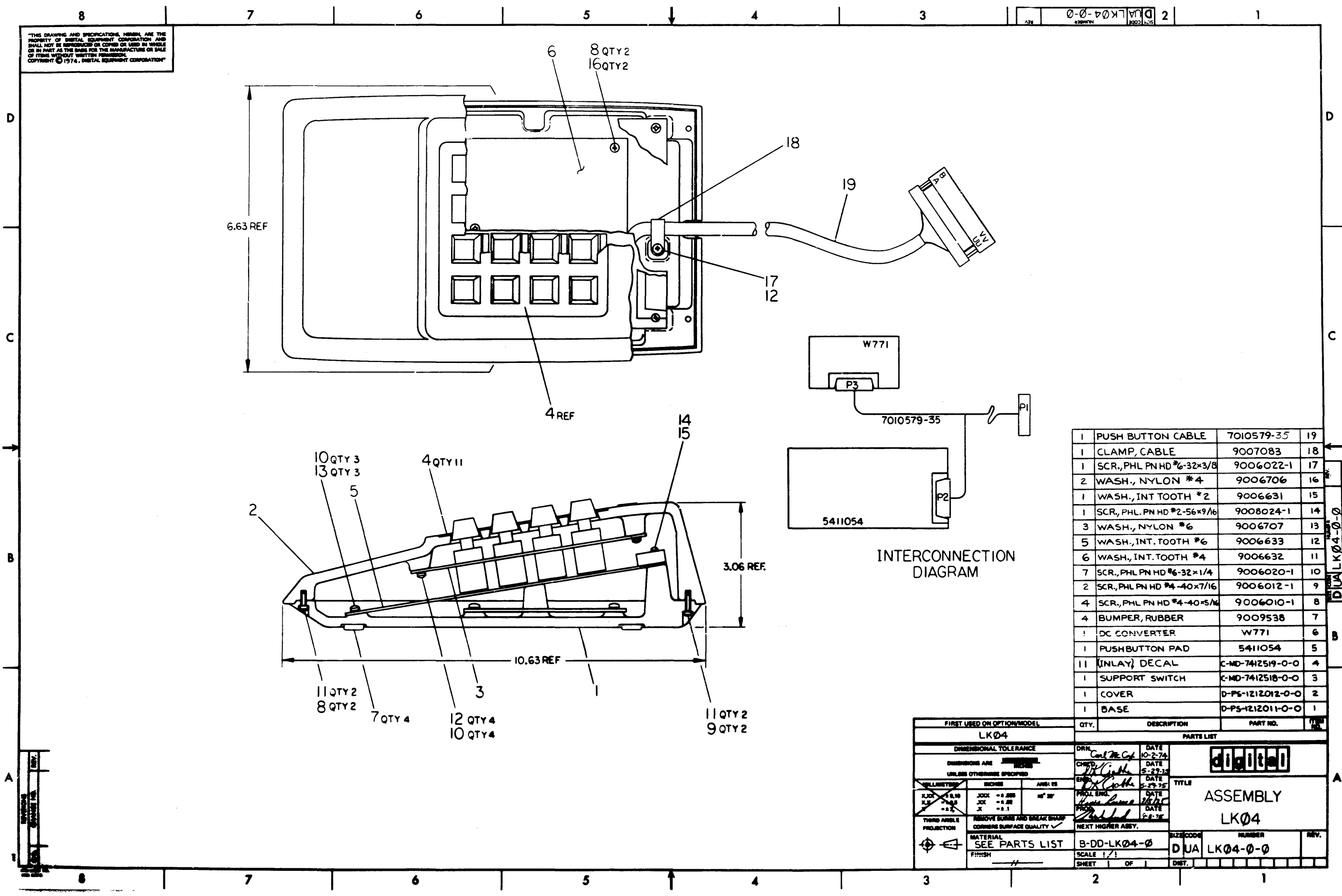
DEC 16-1980-1963-1A-8972

CUSTOMER PRINT SET		ELECTRICAL					CUSTOMER PRINT SET		MECHANICAL								
LK04		MFG. SET	FIND NO.	DRAWING NO.	REV	NO OF SHT	DESCRIPTION	OPTION NO./FILE DATE	LK04		MFG. SET	FIND NO.	DRAWING NO.	REV	NO OF SHT	DESCRIPTION	OPTION NO./FILE DATE
X			1	D-UA-LK04-0-0	#	1	ASSEMBLY, LK04					1	D-UA-LK04-0-0	#	1	ASSEMBLY, LK04	
C				B-DD-5411054-0	#	1	PUSHBUTTON PAD						D-PS-1212011-0-0	#	1	BASE	
C				B-DD-W771-0	#	1	DC CONVERTER						D-PS-1212012-0-0	#	2	COVER	
													C-MD-7412518-0-0	#	1	SUPPORT SWITCH	
													C-MD-7412519-0-0	#	1	INLAY	
									X				D-IA-7010579-0-0	#	1	PUSHBUTTON CABLE	
													A-PS-9905800-00			LK04 PKG INST.	

CUSTOMER PRINT SET CODES	X = PRINT OF DOCUMENT INCLUDED IN PRINT SET C = INCLUDES ALL PRINTS INDICATED ON DOCUMENT S = CONFIDENTIAL AUTHORIZED SIGNATURE REQUIRED	TITLE	ASSEMBLY, LK04	SHEET 2 OF 2	SIZE CODE	B DD	NUMBER	LK04-0	REV
--------------------------	--	-------	----------------	--------------	-----------	------	--------	--------	-----

THIS DRAWING AND SPECIFICATIONS HEREIN ARE THE PROPERTY OF DIGITAL EQUIPMENT CORPORATION AND SHALL NOT BE REPRODUCED OR COPIED OR USED IN WHOLE OR IN PART AS THE BASIS FOR THE MANUFACTURE OR SALE OF ITEMS WITHOUT WRITTEN PERMISSION. COPYRIGHT © 1974, DIGITAL EQUIPMENT CORPORATION

DUAL LK04-0 2



QTY.	DESCRIPTION	PART NO.	REV.
1	PUSH BUTTON CABLE	7010579-35	19
1	CLAMP, CABLE	9007083	18
1	SCR.,PHL PN HD #6-32x3/8	9006022-1	17
2	WASH., NYLON *4	9006706	16
1	WASH., INT TOOTH *2	9006631	15
1	SCR.,PHL PN HD #2-56x9/16	9008024-1	14
3	WASH., NYLON *6	9006707	13
5	WASH., INT. TOOTH *6	9006633	12
6	WASH., INT. TOOTH *4	9006632	11
7	SCR.,PHL PN HD #6-32x1/4	9006020-1	10
2	SCR.,PHL PN HD #4-40x7/16	9006012-1	9
4	SCR.,PHL PN HD #4-40x5/16	9006010-1	8
4	BUMPER, RUBBER	9009538	7
1	DC CONVERTER	W771	6
11	(INLAY) DECAL	5411054	5
1	SUPPORT SWITCH	C-MD-7412519-0-0	4
1	COVER	D-PS-1212012-0-0	2
1	BASE	D-PS-1212011-0-0	1

INTERCONNECTION DIAGRAM

FIRST USED ON OPTION/MODEL		QTY.	DESCRIPTION	PART NO.
LK04				
PARTS LIST				
DIMENSIONAL TOLERANCE		DRN	DATE	
DIMENSIONS ARE UNLESS OTHERWISE SPECIFIED		CHKD	DATE	
MILLIMETERS		ENG	DATE	
INCHES		PROJ ENR	DATE	
THIRD ANGLE PROJECTION		PROJ	DATE	TITLE
REMOVE BURRS AND BREAK SHARP CORNERS SURFACE QUALITY		NEXT HIGHER ASBY.		ASSEMBLY
MATERIAL		B-DD-LK04-0		LK04
FINISH		SCALE 1/1		NUMBER
		SHEET OF DIST.		DUA LK04-0-0

CUSTOMER PRINT SET				REVISION CONTROL SHEET																					
MFG SET				DRAWING NO	NO OF SHT	DESCRIPTION	OPTION NO/FILE DATE	REVISIONS																	
-				D-UA-5411054-0-0	3	PUSH BUTTON PAD		C	D																
-				D-CS-5411054-0-1	2	PUSH BUTTON PAD		C	D																
				K-CO-5411054-0-4	1	PUSH BUTTON PAD (CALDEC DATA BASE)		D	D																
				D-AH-5411054-0-5	1	PUSH BUTTON PAD		C	D																
				B-MH-5411054-0-6	1	MODULE ECO HISTORY		-	A																
				5011053	-	ETCH CIRCUIT BOARD		D	D																
CUSTOMER PRINT SET CODES				X = PRINT OF DOCUMENT INCLUDED IN PRINT SET C = INCLUDES ALL PRINTS INDICATED ON DOCUMENT S = CONFIDENTIAL AUTHORIZED SIGNATURE REQUIRED							ECO NO	ORIG	00001												
							TITLE	PUSH BUTTON PAD				SHEET 2 OF 2	SIZE	CODE	NUMBER		REV								
												B	DD	5411054-0		A									

NOTES:

- FOR DRAWING DIRECTORY, REFER TO: B-DD-5411054-0.
- UNLESS OTHERWISE SPECIFIED, THE FOLLOWING PIN NUMBERS APPLY:

PACKAGE TYPE	VCC	GND
16 PIN DIP	16	6
14 PIN DIP	14	7
7475	24	12
75451	4	12
74154	1	1
7380	0	4
75453	0	4
- POLARITY OF CAP C31 HAS BEEN REVERSED TO POSITION SHOWN.
- E4, E5, E6, E7, E11, E15, E18, E22, E23, E24, E25/E41 ARE HAND INSERTED.

WIRE ADDS SIDE #2 AS SHOWN (ITEM #26)

- ADD WIRE FROM J1-Y TO J1-Z
 - ADD WIRE FROM J1-Z TO J1-LL
 - ADD WIRE FROM J1-LL TO J1-KK
 - ADD WIRE FROM J1-LL TO J1-NN
 - ADD WIRE FROM J1-NN TO J1-MM
5. HOLE .105 DIA. THRU MUST BE DRILLED FROM FAR SIDE THROUGH THE PIN CONNECTOR AFTER ASSY. IT WILL NIBBLE SOME OF THE RIGHT HAND LATCH AWAY, BUT IT WILL BE STRONG ENOUGH TO DO THE JOB. THIS HOLE SHOULD BE CENTERED BY USING THE .156 DIA. HOLE ON THE PC. BOARD AS A GUIDE.

QTY	REF DESIGNATION	DESCRIPTION	PART NO.	ITEM NO.
1		ETCH CIRCUIT BOARD	1001053	1
2	E1, E9	I.C. 800 7490	1001053	2
4	E2, E10, E14, E21	I.C. 800 7475	1001053	3
10	E3 THRU E6, E10, E10, E22, THRU E26	I.C. DEC 79493	1001053	4
1	E7	I.C. DEC 7418	1001053	5
2	E8, E17	I.C. DEC 74153	1001053	6
1	E11	I.C. DEC 79451	1001053	7
1	E12	I.C. DEC 74154	1001053	8
2	E13, E28	I.C. DEC 7474	1001053	9
1	E16	I.C. DEC 9802	1001053	10
1	E19	I.C. DEC 7442	1001053	11
1	E20	I.C. DEC 7380	1001053	12
18	R1 THRU R16, R20, R25	RES. 1.2K 5% 1/8W	1301320	13
2	R17, R18	RES. 10K 5% 1/8W	1300479	14
1	R19	RES. 20K 5% 1/8W	1302301	15
4	R21 THRU R24	RES. 180 5% 1/8W	1301322	16
16	R26 THRU R41	RES. 1.5K 5% 1/8W	1300301	17
24	C1, C4 THRU C18, C20, C21, C23 THRU C28	CAP. .01 ufd 20% 100V	1001018-01	18
1	C2	CAP. 100pf 5% 100V	1000016	19
1	C3	CAP. 47pf 5% 100V	1000011	20
2	C30, C31	CAP. 6.8ufd 10% 35V	1005306	21
16	S1 THRU S18	SWITCH PUSHBUTTON	1211000	22
1	J1	CONN. 40 PIN RT ANGLE HEADER	1200041-02	23
16		LAMP	1212651-CC	24
16		KEY CAP	1211301-32	25
6 IN		BUS WIRE #24 AWG	9107470-55	26
1		LATCH, LEFT, RT. ANG. HEADER	1209941-03	27
1		LATCH, RIGHT, RT. ANG. HEADER	1209941-04	28

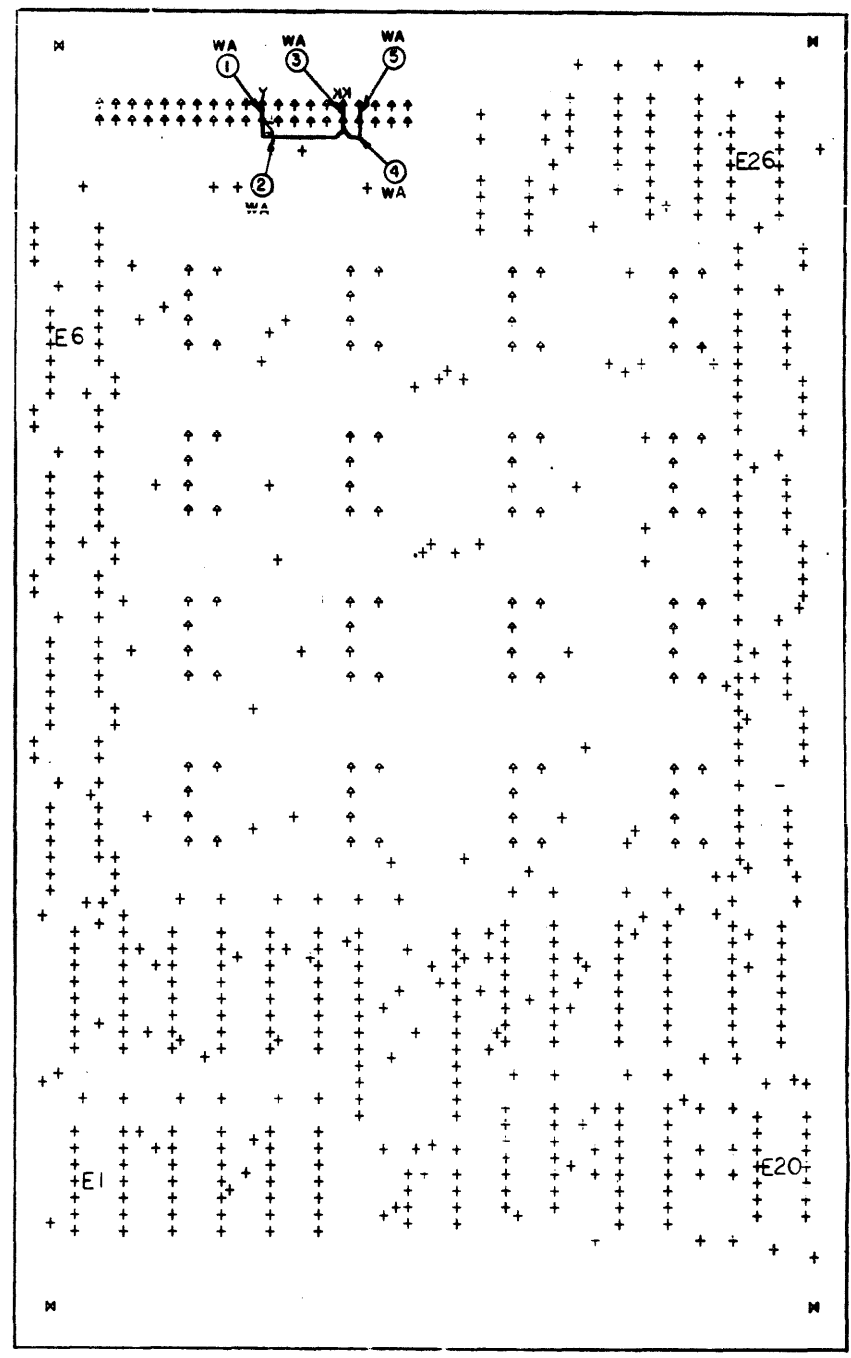
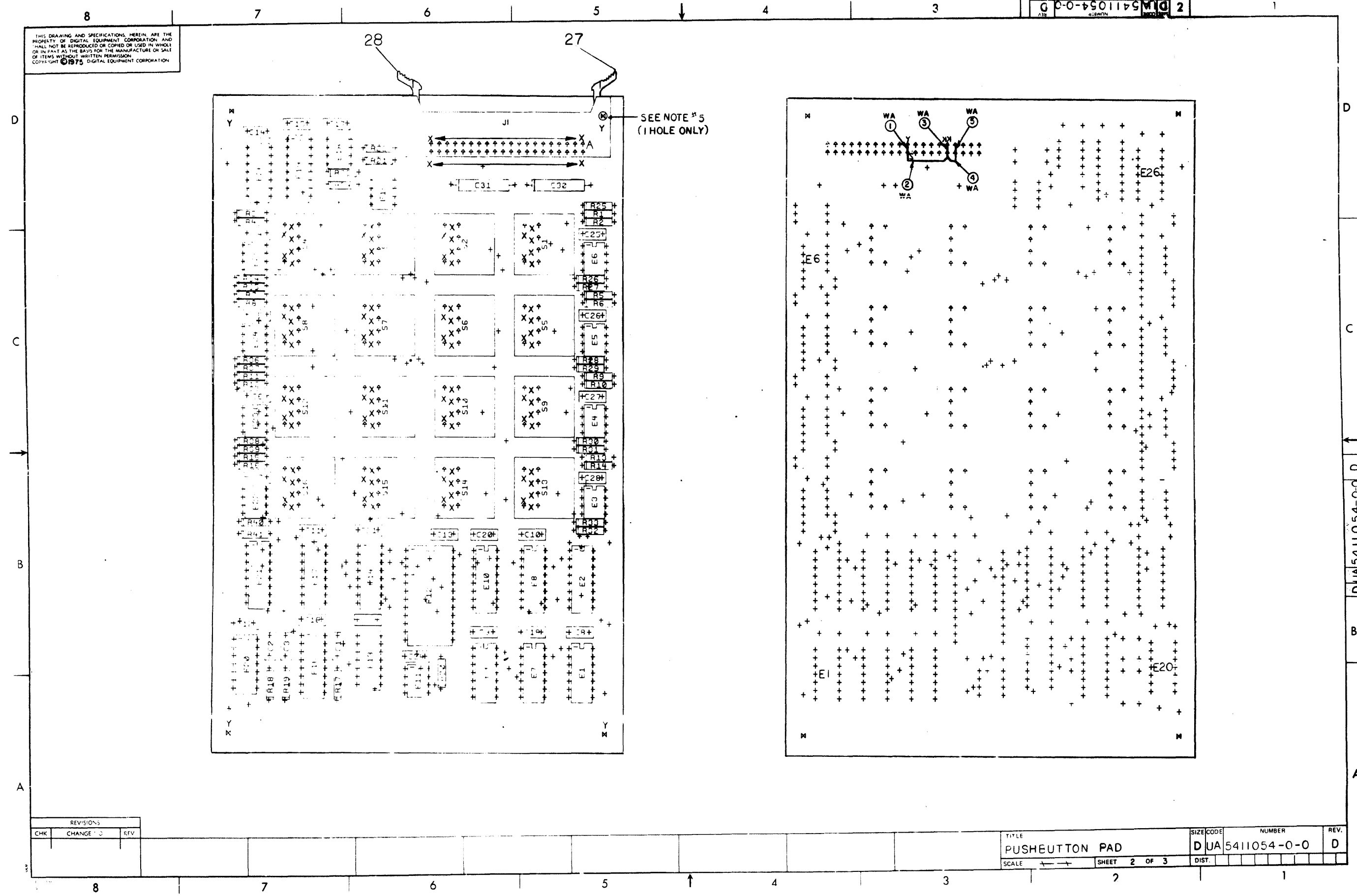
ETCH BOARD REV. <input type="checkbox"/>		DATE 2-14-75		digital EQUIPMENT CORPORATION MARTIN D MASSACHUSETTS
DRN. <input type="checkbox"/>		DATE 2-14-75		
CHKD. <input type="checkbox"/>		DATE 2-14-75		TITLE PUSH BUTTON PAD
ENGR. <input type="checkbox"/>		DATE 2-14-75		
PROJ. ENGR. <input type="checkbox"/>		DATE 2-14-75		NEXT HIGHER ASSY B-DD-5411054-0
PROD. <input type="checkbox"/>		DATE 2-14-75		
DEC NO.	EIA NO.	DEC NO.	EIA NO.	SCALE 2 TO 1
SEMICONDUCTOR CONVERSION CHART				SHEET 1 OF 3

DRAWING 48-107-1100

DUA541054-0-0

DUA 5411054-0-0 2

THIS DRAWING AND SPECIFICATIONS, HEREIN, ARE THE PROPERTY OF DIGITAL EQUIPMENT CORPORATION, AND SHALL NOT BE REPRODUCED OR COPIED OR USED IN WHOLE OR IN PART AS THE BASIS FOR THE MANUFACTURE OR SALE OF ITEMS WITHOUT WRITTEN PERMISSION. COPYRIGHT © 1975 DIGITAL EQUIPMENT CORPORATION.



REVISIONS		
CHK	CHANGE	REV

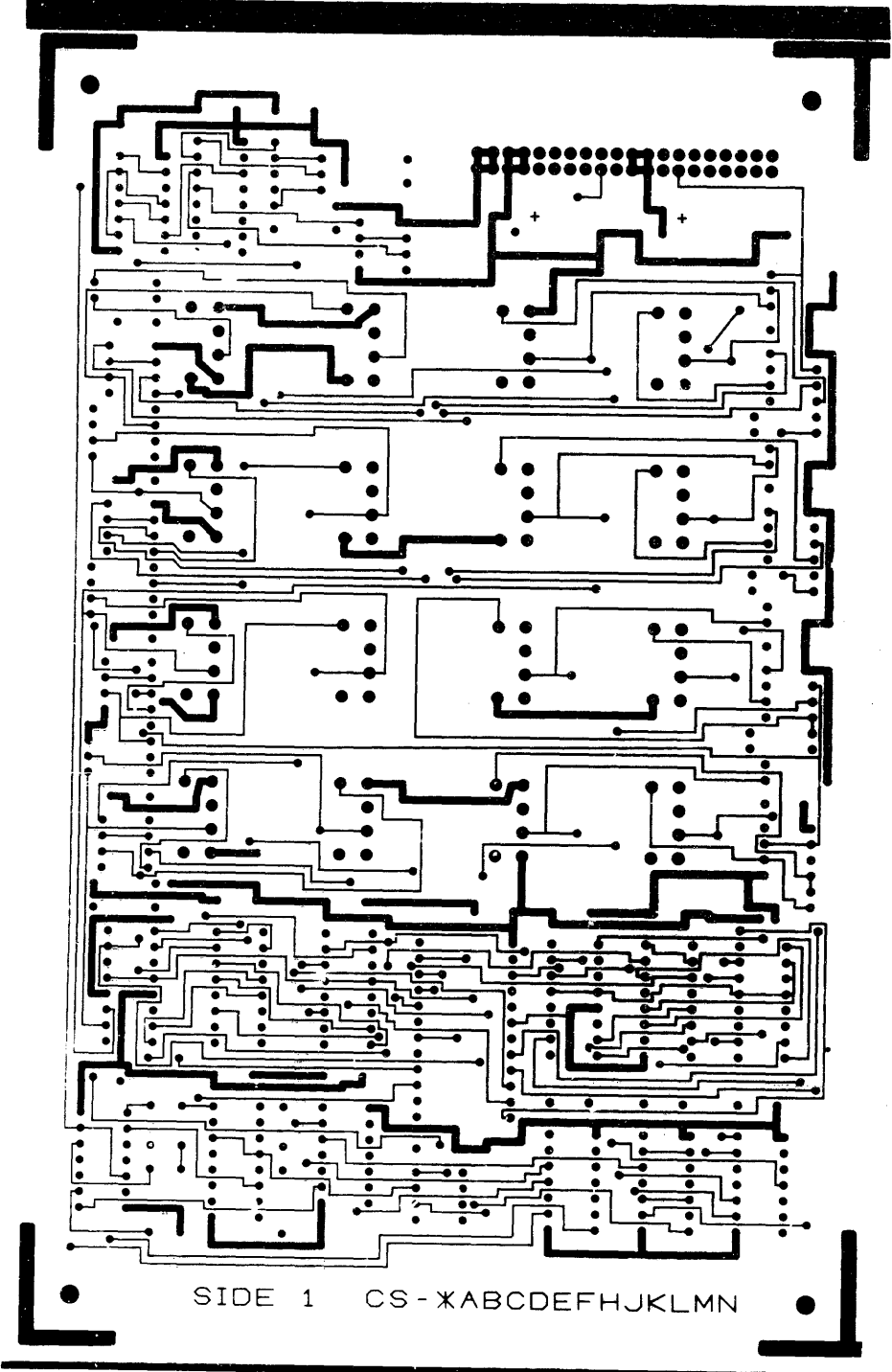
TITLE	SIZE CODE	NUMBER	REV.
PUSHEUTTON PAD	D UA	5411054-0-0	D
SCALE	SHEET	DIST.	
1/4" = 1"	2 OF 3		

DUA 5411054-0-0 D

THIS DRAWING AND SPECIFICATIONS HEREIN ARE THE PROPERTY OF DIGITAL EQUIPMENT CORPORATION, AND SHALL NOT BE REPRODUCED OR COPIED OR USED IN WHOLE OR IN PART AS THE BASIS FOR THE MANUFACTURE OR SALE OF ITEMS WITHOUT WRITTEN PERMISSION.
 COPYRIGHT © 1975 DIGITAL EQUIPMENT CORPORATION

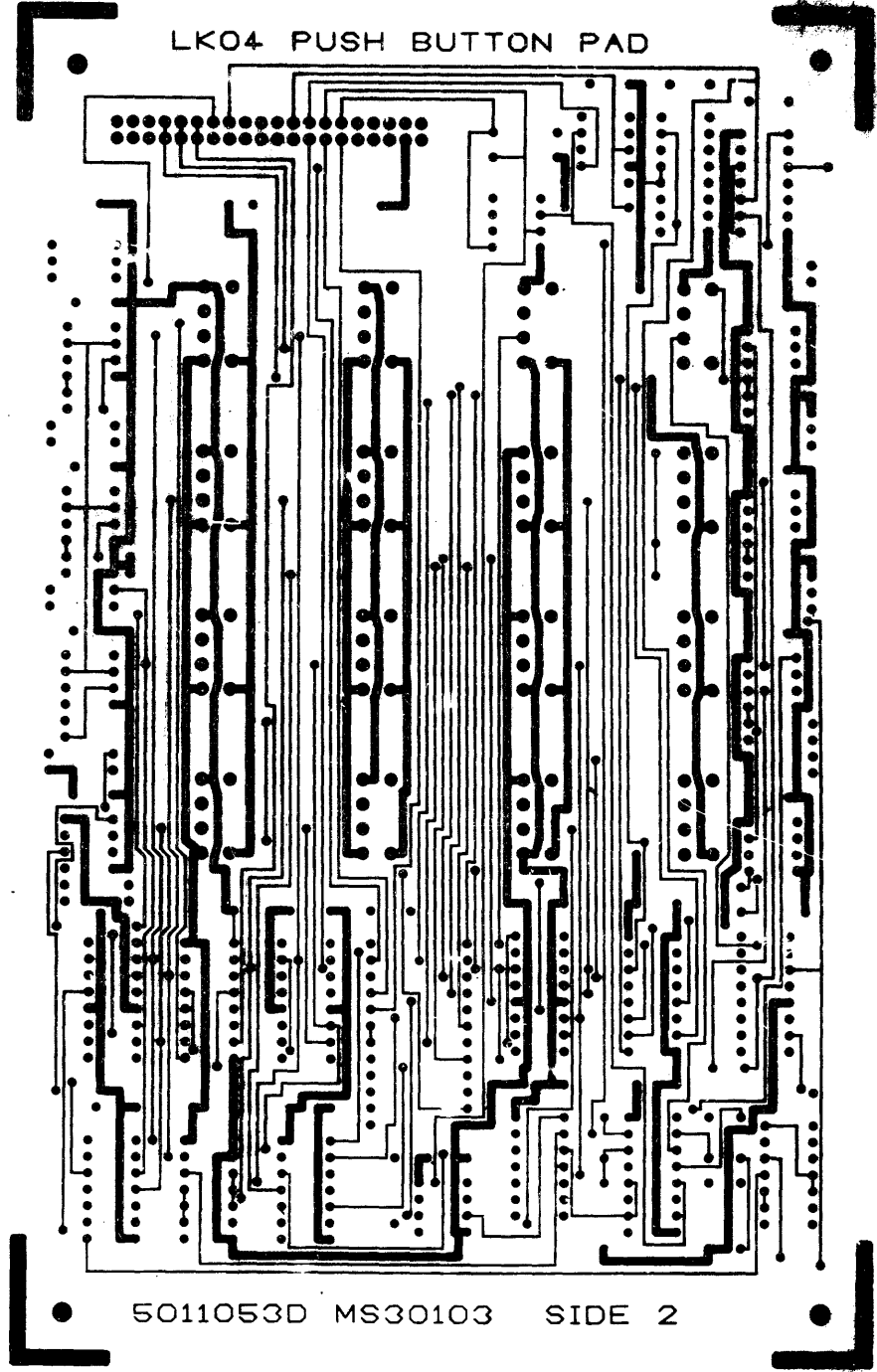
DUA541054-0-0 2

MS30103 5411054 5011053D



SIDE 1 CS-XABCDEFGHIJKLMN

LK04 PUSH BUTTON PAD



5011053D MS30103 SIDE 2

REVISIONS		
CHG	CHANGE NO	REV

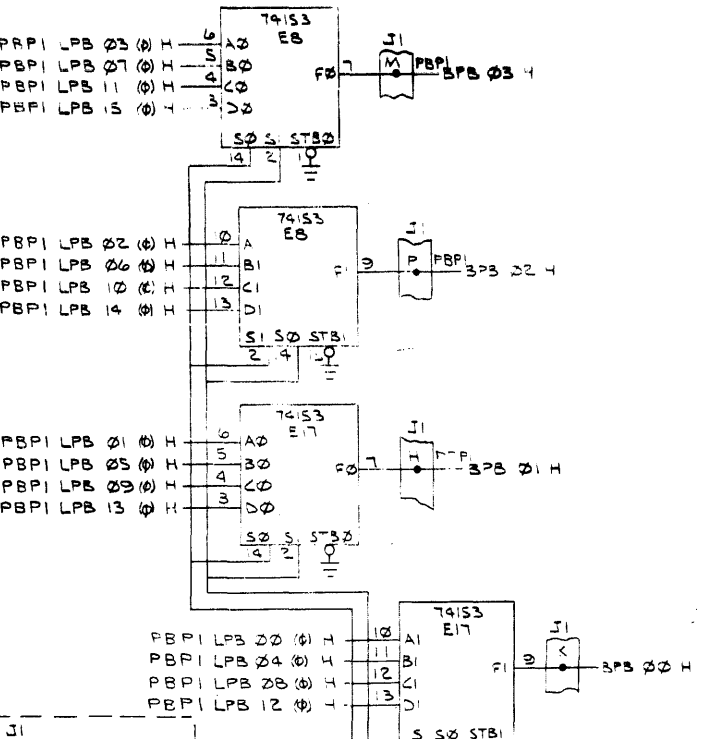
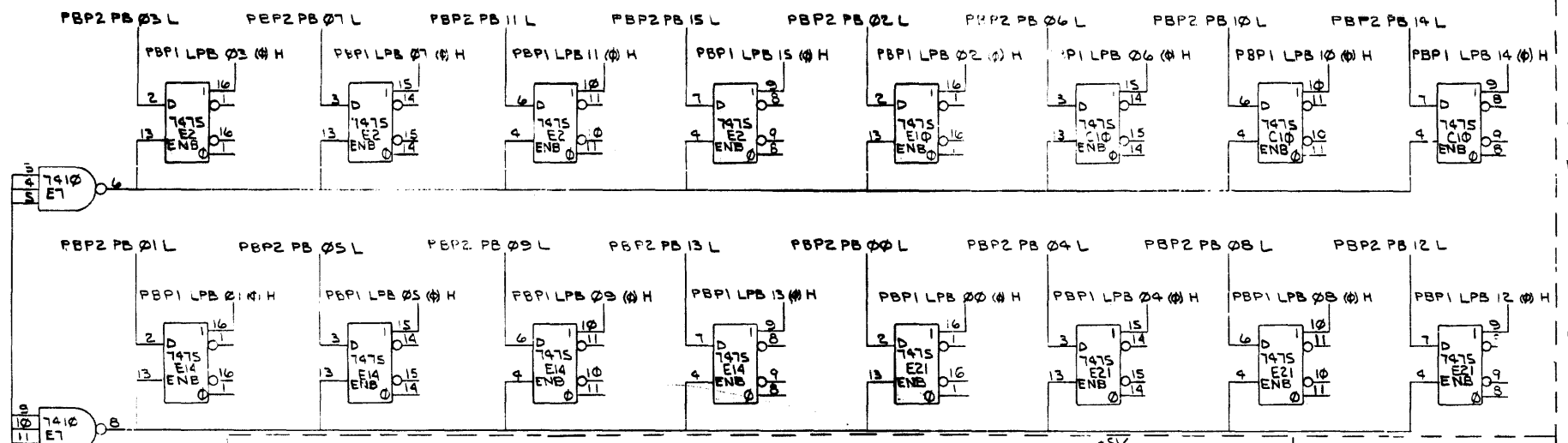
PUSH BUTTON PAD
 SCALE 2 TO 1 SHEET 3 OF 3
 SIZE CODE DUA 541054-0-0
 DIST.

DUA541054-0-0

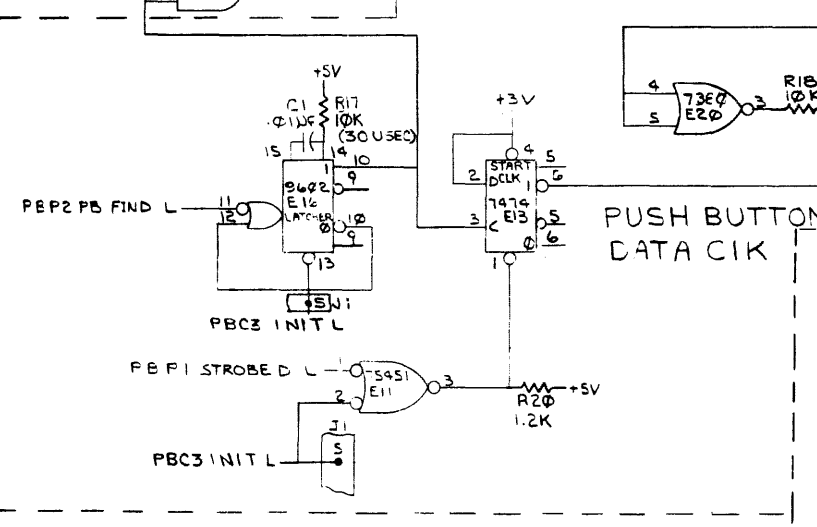
THIS DRAWING AND SPECIFICATIONS HEREIN ARE THE PROPERTY OF DIGITAL EQUIPMENT CORPORATION AND SHALL NOT BE REPRODUCED OR COPIED OR USED IN WHOLE OR IN PART FOR ANY PURPOSES WITHOUT THE WRITTEN PERMISSION OF DIGITAL EQUIPMENT CORPORATION.

CS 5411054-0-1

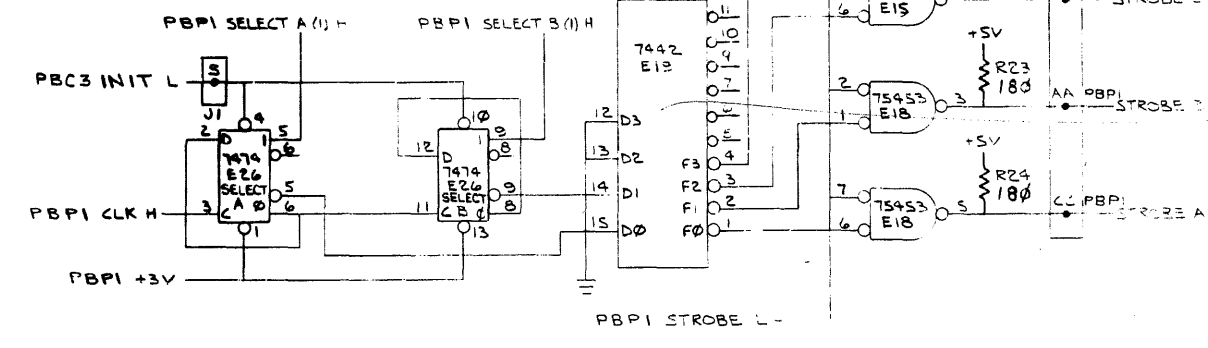
PUSH BUTTON LATCHES



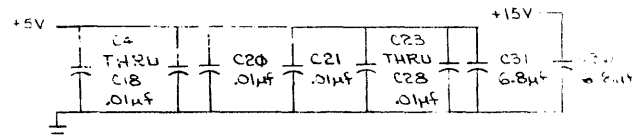
PUSH BUTTON DATA CIK



PUSH BUTTON DATA CONTROL



7475		
INPUT	ENB	OUTPUT
D	H	LPB XX(I) H
L	H	L
H	H	H
X	L	LEVEL OF OUTPUT BEFORE H → L TRANSITION OF ENB

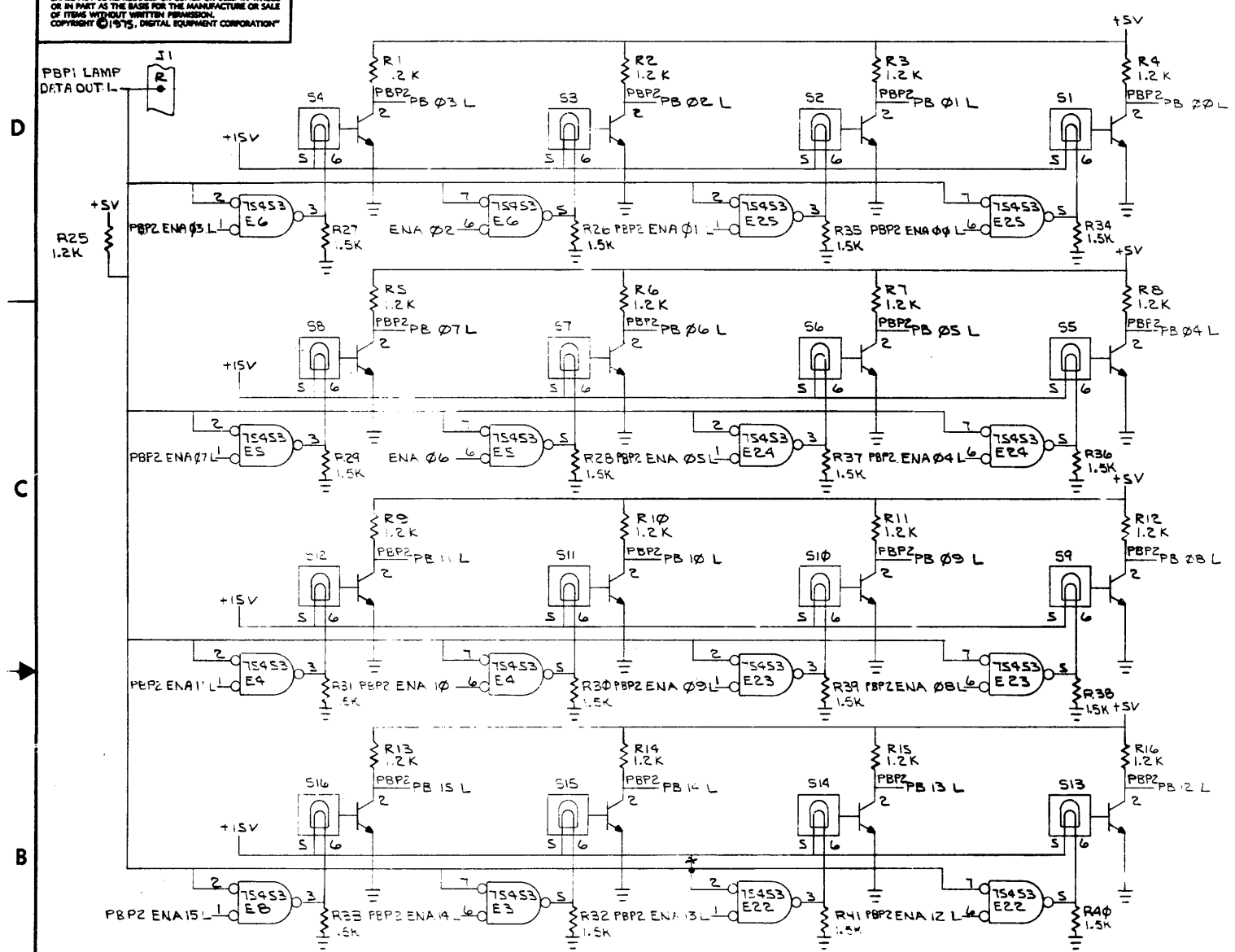


REV.	CHANGED BY	DATE
1	A. ADEL MAN	3-31-76

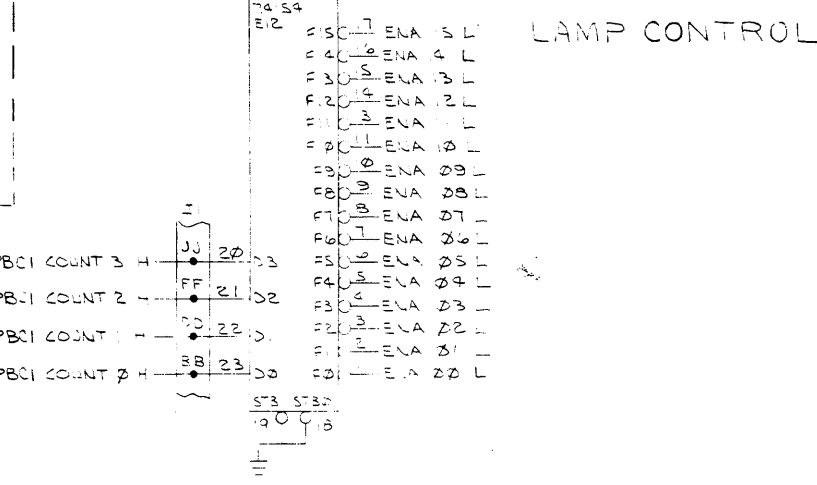
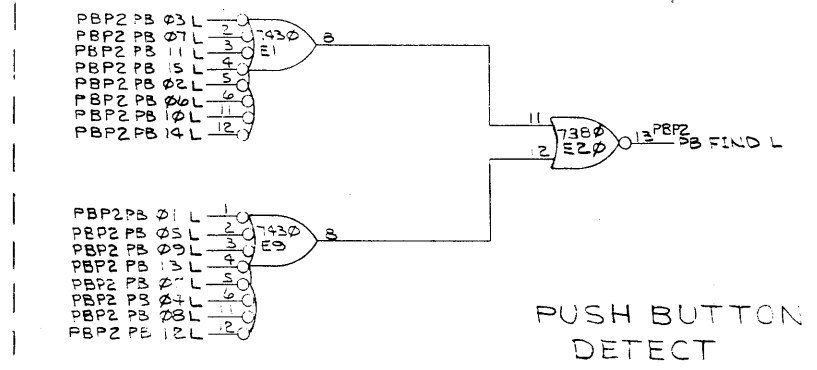
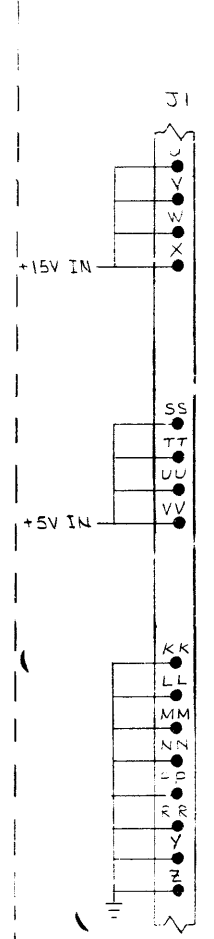
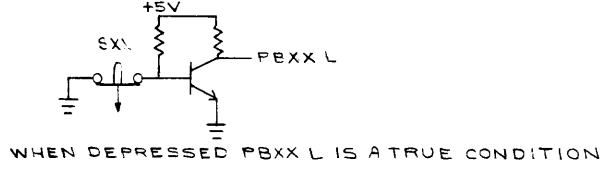
REV.	CHANGED BY	DATE
1	A. ADEL MAN	3-31-76

DRW. NO.	CS 5411054-0-1	FIRST USED ON	LK04
ENG. NO.	CS 5411054-0-1	TITLE	LK04
PROJ. ENG. NO.	CS 5411054-0-1		
PROD. NO.	CS 5411054-0-1		
NEXT HIGHER ASSY.			
SCALE			
SHEET	1	OF 2	

"THIS DRAWING AND SPECIFICATIONS, HEREIN, ARE THE PROPERTY OF DIGITAL EQUIPMENT CORPORATION AND SHALL NOT BE REPRODUCED OR COPIED OR USED IN WHOLE OR IN PART AS THE BASIS FOR THE MANUFACTURE OR SALE OF ITEMS WITHOUT WRITTEN PERMISSION. COPYRIGHT © 1975, DIGITAL EQUIPMENT CORPORATION"



NOTE:
 1. LAMP PORTION OF PUSH BUTTON IS CORRECT AS SHOWN
 2. BUTTON PORTION OF PUSH BUTTON IS EQUIVALENT TO THE FOLLOWING:



DRN	2-18-75	FIRST USED ON	LK04
CHK'D		TITLE	LK04
ENG			PUSHBUTTON PAD
PROJ. ENG.			PBP2
PROD.			
NEXT HIGHER ASSY		SIZE	CODE
B-00-541054		D	CS 5411054-0-1
SCALE		NUMBER	
SHEET 2	OF 2	DIST.	

REV.	
CHANGE NO.	
CHK	

CUSTOMER
PRINT SET

REVISION CONTROL SHEET

MFG SET

DRAWING NO

NO
OF
SHT

DESCRIPTION

OPTION
NO/FILE
DATE

REVISIONS

D-UA-W771-Ø-Ø 3 5V TO 15V CONV.
D-CS-W771-Ø-1 1 5V TO 15V CONV.

A B
A B

K-CO-W771-Ø-4 1 5V TO 15V CONV.
D-AH-W771-Ø-5 2 5V TO 15V CONV.
B-MH-W771-Ø-6 1 MODULE ECO HISTORY

B
A B
- A

5011460 - ETCH CIRCUIT BOARD

B

CUSTOMER
PRINT
SET
CODES

X = PRINT OF DOCUMENT INCLUDED IN PRINT SET
C = INCLUDES ALL PRINTS INDICATED ON DOCUMENT
S = CONFIDENTIAL AUTHORIZED SIGNATURE REQUIRED

ECO NO

ORIG

TITLE

5V TO 15V CONV.

SHEET 2 OF 2

SIZE CODE

B DD

NUMBER

WT 1-1

A

8 7 6 5 4 3 2 1

"THIS DRAWING AND SPECIFICATIONS HEREIN ARE THE PROPERTY OF DIGITAL EQUIPMENT CORPORATION AND SHALL NOT BE REPRODUCED OR COPIED OR USED IN WHOLE OR IN PART AS THE BASIS FOR THE MANUFACTURE OR SALE OF ITEMS WITHOUT WRITTEN PERMISSION.
 COPYRIGHT © 1975 DIGITAL EQUIPMENT CORPORATION"

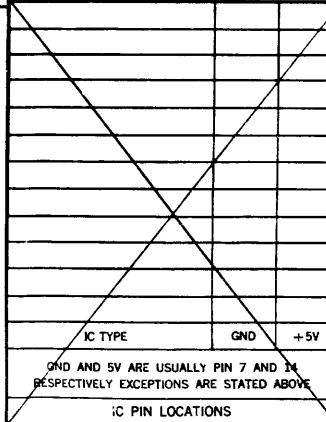
NOTES:

1. FOR DRAWING DIRECTORY, REFER TO: B-DD-W771-0

QTY	REF. DESIGNATION	DESCRIPTION	PART NO.	ITEM NO.
1		ETCHED CIRCUIT BOARD	5011460	1
2	C1,C2	CAP. .22uf 50V	1010274	2
2	C3,C4	CAP. 100uf 20V	1004815	3
1	C5	CAP. 47uf 20V	1000079	4
16		SPLIT LUGS	9006735	5
4	D2-D5	DIODE 1N4004	1105796	6
1	D1	DIODE D672	1105275	7
1	J1	CONN. 40 PIN	1209941-02	8
2	R1,R2	RES. 10 5% 1/4W	1300168	9
1	R3	RES. 100 5% 1/4W	1300260	10
1	R4	RES. 470 5% 2W	1303062	11
2	Q1,Q2	TRANS. D45H8	1510708	12
1	F1	FUSE 5 AMP	1205747	13
1	T1	TRANSFORMER	1612544	14
3	W1,W2,W3	JUMPER, WHITE INSULATED	9009185	15
A/R		COMPOUND THERMAL	9008268	16
2		SCR PHL HD PAN#4-40 X 1/4	9008301-01	17
2		NUT KEPS#4-40	9006557	18

D
C
B
A

D
C
B
A



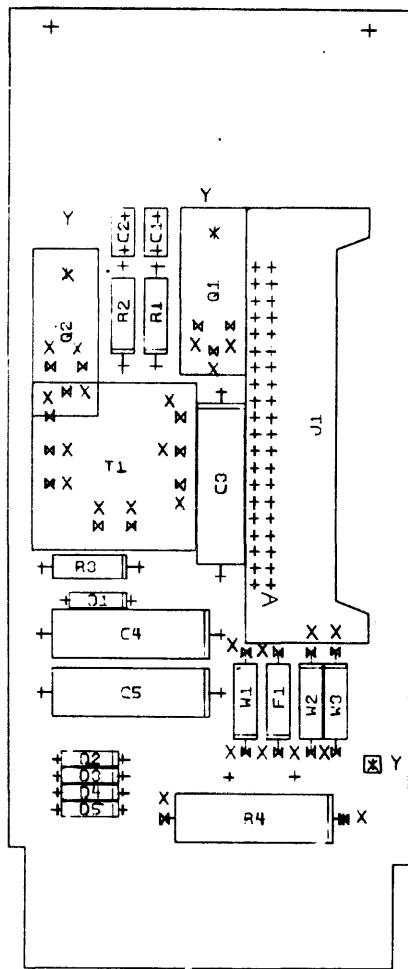
FIRST USED ON OPTION MODEL
LK04

PARTS LIST			
QTY	REF. DESIGNATION	DESCRIPTION	ITEM NO.
		ETCH BOARD REV.	
		DRN. DATE 1-28-75	
		CHKD. DATE 2/10/75	
		ENG. DATE 1/28/75	
		PROJ. ENG. DATE 2/3/75	
		PROD. DATE 25 SEP 75	
		NEXT HIGHER ASSY	
		B-DD-W771-0	
		SCALE NONE	
		SHEET 1 OF 3	
		TITLE 5V TO 15V CONV.	
		SIZE CODE DUA	
		NUMBER W771-0-0	
		REV. B	

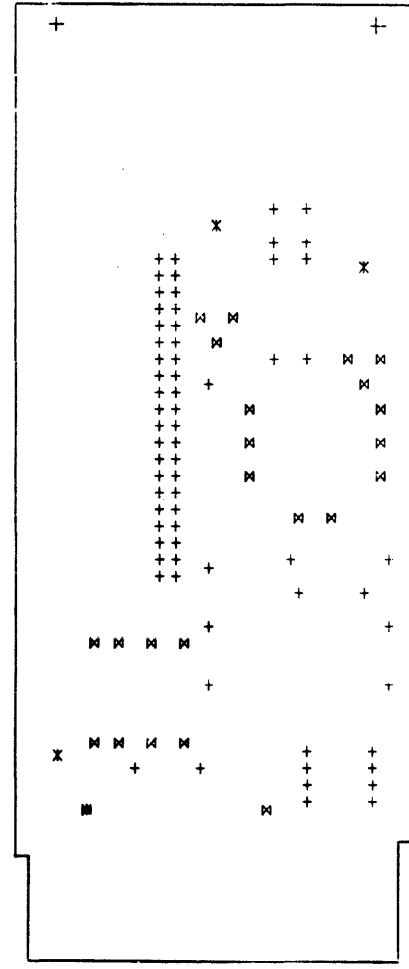
REV.	CHG.	DATE	BY
A			
B			

SEMICONDUCTOR CONVERSION CHART

THIS DRAWING AND SPECIFICATIONS, HEREIN, ARE THE PROPERTY OF DIGITAL EQUIPMENT CORPORATION AND SHALL NOT BE REPRODUCED OR COPIED OR USED IN WHOLE OR IN PART AS THE BASIS FOR THE MANUFACTURE OR SALE OF ITEMS WITHOUT WRITTEN PERMISSION.
 COPYRIGHT © 1975 DIGITAL EQUIPMENT CORPORATION



SIDE 1



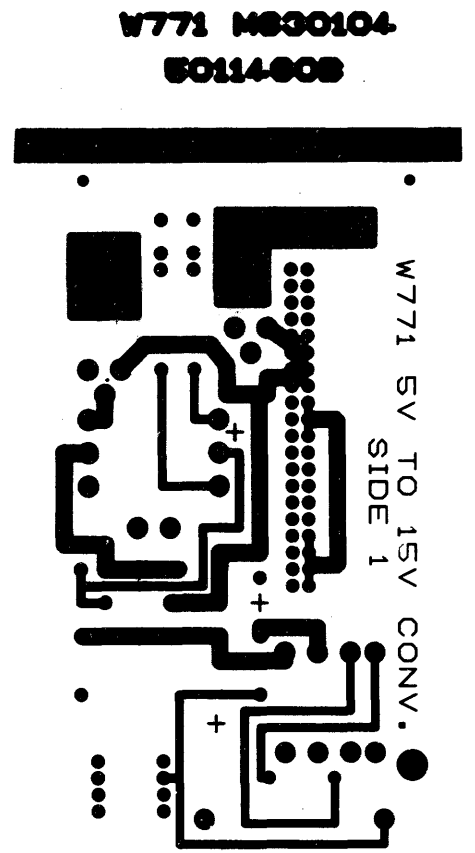
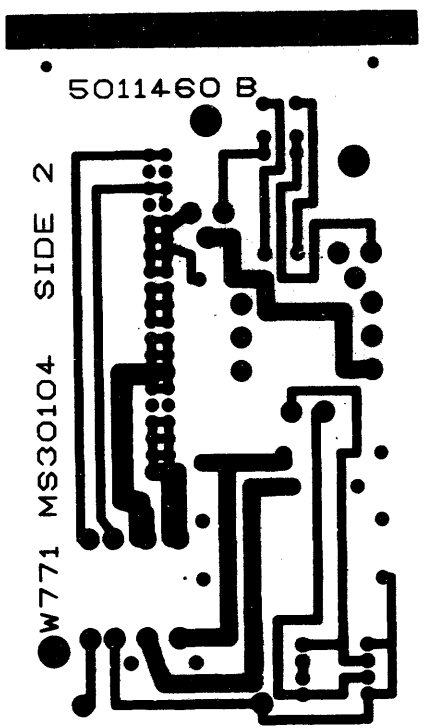
SIDE 2

NOTES:

CHK	CHANGE	NO	REV

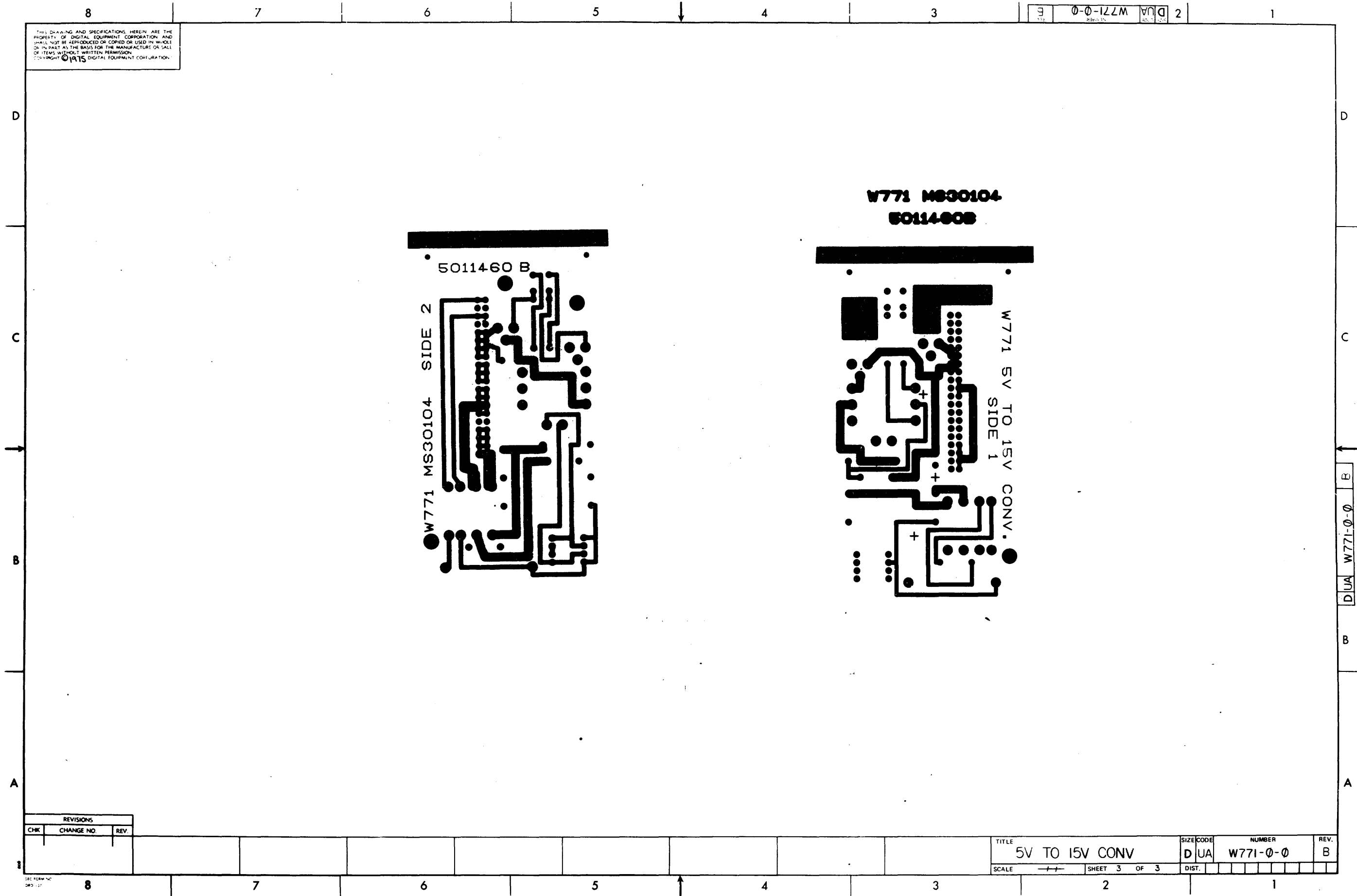
SIGNATURES	DATE	digital
DRN. <i>P. J. ...</i>	10-75	
CHK'D. <i>[Signature]</i>	11-8-75	TITLE 5V TO 15V CONV
ENG. <i>A. E. ...</i>	3/24/76	
PROJ. ENG. <i>[Signature]</i>	2/24/76	SIZE CODE NUMBER REV 0 UA W771-0-0 B
PROD. <i>[Signature]</i>	8-24-76	
SCALE 2/11		
SHT. 2 OF 3		
ETCH REV	FIRST USED ON	

THIS DRAWING AND SPECIFICATIONS HEREIN ARE THE PROPERTY OF DIGITAL EQUIPMENT CORPORATION, AND SHALL NOT BE REPRODUCED OR COPIED OR USED IN WHOLE OR IN PART AS THE BASIS FOR THE MANUFACTURE OR SALE OF ITEMS WITHOUT WRITTEN PERMISSION. COPYRIGHT © 1975 DIGITAL EQUIPMENT CORPORATION.



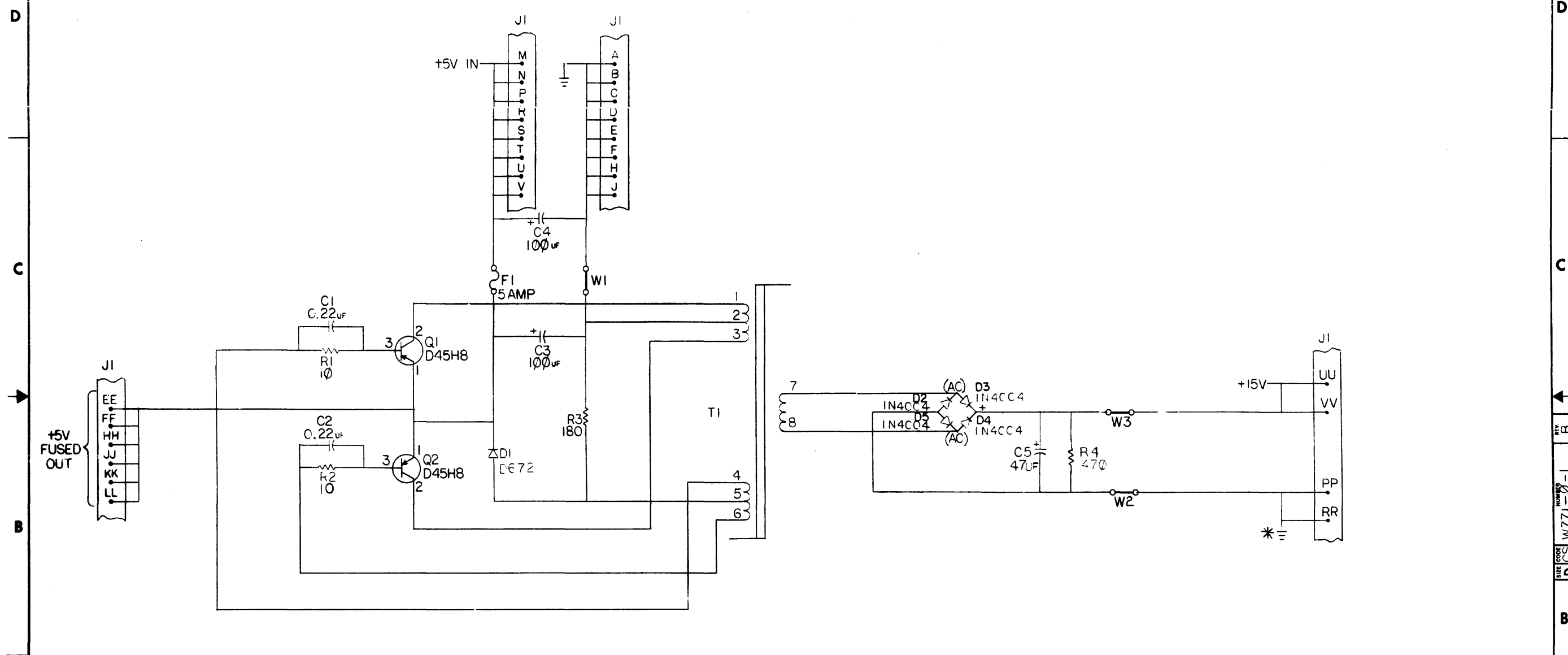
REVISIONS		
CHK	CHANGE NO.	REV.

TITLE	5V TO 15V CONV	SIZE CODE	DUA	NUMBER	W771-0-0	REV.	B
SCALE	---	SHEET	3	OF	3	DIST.	



"THIS DRAWING AND SPECIFICATIONS, HEREIN, ARE THE PROPERTY OF DIGITAL EQUIPMENT CORPORATION AND SHALL NOT BE REPRODUCED OR COPIED OR USED IN WHOLE OR IN PART AS THE BASIS FOR THE MANUFACTURE OR SALE OF ITEMS WITHOUT WRITTEN PERMISSION. COPYRIGHT © 1964 DIGITAL EQUIPMENT CORPORATION"

REV. B
 SIZE D
 CODE CS
 NUMBER W 771-0-1
 SHEET 2 OF 2



* GROUND IN CABLE CONNECTION

REVISIONS	REV.
CHANGE NO.	A
ORIGINATED	B
W7710001	
A. JOELMAN	
A.S. ALLMAN	

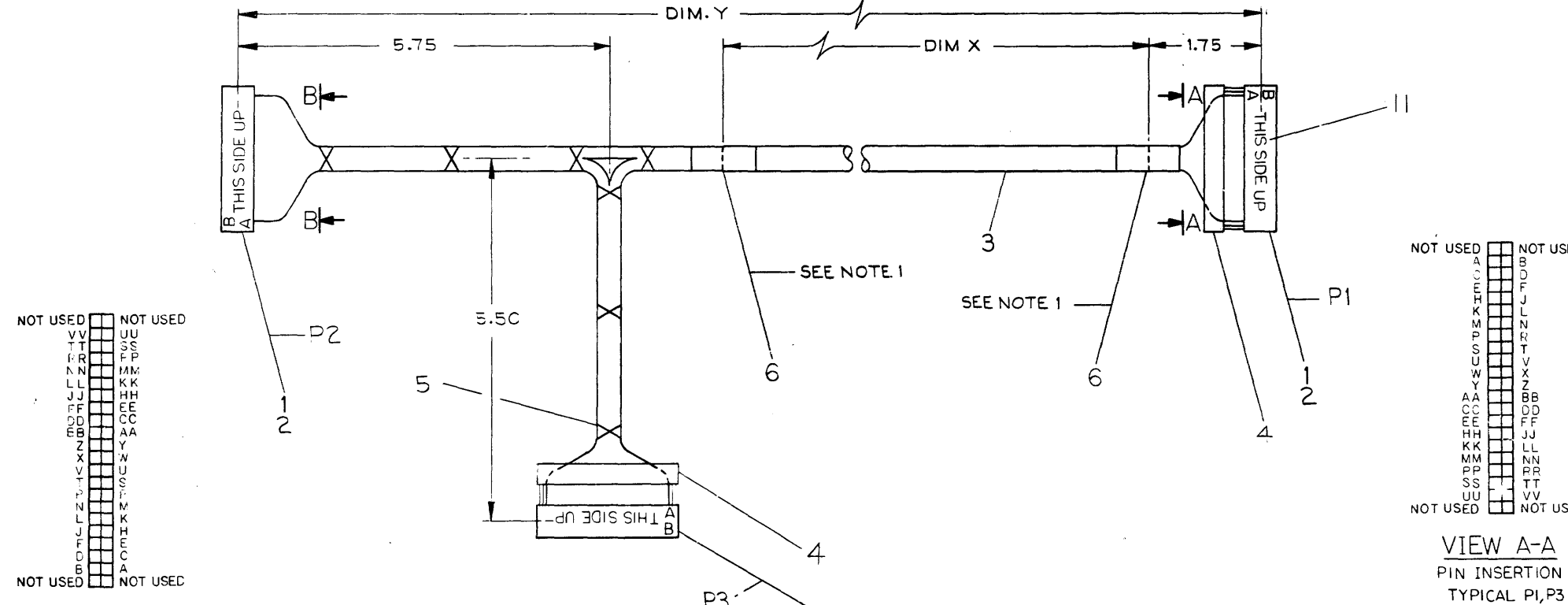
DRN	29-76	FIRST USED ON	LK04	digital
CHK'D		TITLE	5V TO 15V CONV.	
ENG.				
PROJ. ENG.				
PROD.				
NEXT HIGHER ASSY.				
F-11-W771-0	SIZE	CODE	NUMBER	REV.
SCALE	D	CS	W 771-0-1	B
SHEET	OF	DIST.		

THIS DRAWING AND SPECIFICATIONS HEREIN ARE THE PROPERTY OF DIGITAL EQUIPMENT CORPORATION AND SHALL NOT BE REPRODUCED OR COPIED OR USED IN WHOLE OR IN PART AS THE BASIS FOR THE MANUFACTURE OR SALE OF ITEMS WITHOUT WRITTEN PERMISSION. COPYRIGHT © 1974, DIGITAL EQUIPMENT CORPORATION

WIRE TABLE							
ITEM NO.	DESCRIPTION	FROM		TO		REMARKS	
		AWG	COLOR	CONNECTION	WITH		CONNECTION
3	24 TWP	GRN	PI-H	2	P2-H	2	PBC1 BPB 01 L
		WHT	PI-A		P3-A		GND
		GRY	PI-K		P2-K		PBC1 BPB 00 L
		BLK	PI-B		P3-B		GND
		ORN	PI-M		P2-M		PBC1 BPB 03 L
		RED	PI-C		P3-C		GND
		GRY	PI-P		P2-P		PBC1 BPB 02 L
		WHT	PI-D		P3-D		GND
		BLU	PI-AA		P2-AA		PBPI STROBE BL
		YEL	PI-MM		P3-M		FUSED +5V
		ERN	PI-CC		P2-CC		PBPI STROBE AL
		WHT	PI-NN		P3-N		FUSED +5V
		RED	PI-EE		P2-EE		PBPI STROBE DL
		GRN	PI-PP		P3-P		FUSED +5V
		RED	PI-HH		P2-HH		PBPI STROBE CL
BLU	PI-RR		P3-R		FUSED +5V		
GRN	PI-S		P2-S		PBC3 INIT L		
BLK	PI-SS		P2-SS		FUSED +5V		
3	24 TWP	BRN	PI-J	2	P2-PP	2	GND
		BLK	PI-L	2	P2-RR	2	GND

WIRE TABLE (CON'T)							
ITEM NO.	DESCRIPTION	FROM		TO		REMARKS	
		AWG	COLOR	CONNECTION	WITH		CONNECTION
3	24 TWP	BRN	PI-Z	2	P2-R	2	PBC1 LAMP DATA L
		RED	PI-TT		P2-TT		FUSED +5V
		YEL	PI-BB		P2-DD		PBC1 COUNT 1 L
		ORN	PI-UU		P2-UU		FUSED +5V
		BLU	PI-DD		P2-BB		PBC1 COUNT 0 L
		BLK	PI-VV		P2-VV		FUSED +5V
		BLU	PI-JJ		P2-FF		PBC1 COUNT 2 L
		WHT	PI-E		P2-MM		GND
		ORN	PI-FF		P2-JJ		PBC1 COUNT 3 L
		WHT	PI-F		P2-NN		GND
		ORN	PI-N		P3-E		GND
		BLK	PI-R		P3-F		GND
		BRN	P3-H		P3-PP		GND
		BLK	P3-J		P3-RR		GND
		ORN	P3-UU		P2-U		+15V
BLU	P3-VV		P2-V		+15V		
3	24 TWP	RED	PI-T		P2-KK		GND
		GRY	PI-V		P2-LL		GND
		GRN	PI-X		P2-Y		GND
3	24 TWP	YEL	PI-LL	2	P2-Z	2	GND

NOTES
 1. CUT UNUSED WIRES AND INSULATION HERE (ITEM #3).
 2. USE 1 INCH SHRINK TUBING (ITEM #6) IN BOTH PLACES.



NOT USED

VV	NOT USED
UU	NOT USED
TT	NOT USED
RR	NOT USED
NN	NOT USED
LL	NOT USED
JJ	NOT USED
II	NOT USED
HH	NOT USED
GG	NOT USED
FF	NOT USED
EE	NOT USED
DD	NOT USED
CC	NOT USED
BB	NOT USED
AA	NOT USED
ZZ	NOT USED
YY	NOT USED
XX	NOT USED
WW	NOT USED
VV	NOT USED
UU	NOT USED
TT	NOT USED
RR	NOT USED
NN	NOT USED
LL	NOT USED
JJ	NOT USED
II	NOT USED
HH	NOT USED
GG	NOT USED
FF	NOT USED
EE	NOT USED
DD	NOT USED
CC	NOT USED
BB	NOT USED
AA	NOT USED

NOT USED

AA	NOT USED
CC	NOT USED
EE	NOT USED
HH	NOT USED
KK	NOT USED
MM	NOT USED
PP	NOT USED
SS	NOT USED
UU	NOT USED
VV	NOT USED
WW	NOT USED
XX	NOT USED
YY	NOT USED
ZZ	NOT USED
BB	NOT USED
DD	NOT USED
FF	NOT USED
GG	NOT USED
II	NOT USED
JJ	NOT USED
LL	NOT USED
NN	NOT USED
PP	NOT USED
RR	NOT USED
TT	NOT USED
VV	NOT USED
WW	NOT USED
XX	NOT USED
YY	NOT USED
ZZ	NOT USED

QTY.	DESCRIPTION	PART NO.	ITEM #
3	LABEL	3611567	11
A/R	WIRE, *24 AWG BLU	9107450-66	10
A/R	WIRE, *24 AWG ORN	9107450-33	9
A/R	WIRE, *24 AWG BLK	9107450-00	8
A/R	WIRE, *24 AWG BRN	9107450-11	7
A/R	SHRINK TUBING, WHT 3/4"	9107400-59	6
A/R	CABLE TIE	9007880	5
2	STRAIN RELIEF	1211166	4
A/R	CABLE, 36 COND.	9107700-0-0	3
80	PIN	1210089-04	2
3	CONN. 40 SKT.	1210918-15	1

7010579-35	35 FT. 0 IN. ± 3 IN.	35 FT. 7.5 IN. ± 3 IN.
NUMBER	DIM. 'X'	DIM. 'Y'
	VARIATION	
	LEGEND	

FIRST USED ON OPTION/MODEL LK04		PARTS LIST	
DIMENSIONAL TOLERANCE		DRN: Cal McCay	
DIMENSIONS ARE IN INCHES UNLESS OTHERWISE SPECIFIED		DATE: 11-18-74	
MILLIMETERS	INCHES	ANGLES	DATE: 6-21-75
±.XX ±0.10	.XX ±.005	±0° 30'	DATE: 2-3-75
XX ±0.5	.XX ±.02		DATE: 9-5-75
X ±.2	.X ±.1		DATE: 7-8-75
THIRD ANGLE PROJECTION	REMOVE BURRS AND BREAK SHARP CORNERS SURFACE QUALITY ✓	NEXT HIGHER ASSY.	
MATERIAL SEE PARTS LIST		D-UA-LK04-0-0	
FINISH		SCALE 1/1	
		SHEET 1 OF 1	
		DIST.	

REVISIONS	CHANGE NO.	REV.
33	7010579-00001	A
A. ADELMAN		

digital

TITLE: **PUSHBUTTON CABLE**

SIZE CODE: **DIA**

NUMBER: **7010579-0-0**

REV. **3A**

DIGITAL EQUIPMENT CORPORATION
MAYNARD, MASSACHUSETTS
PARTS LIST

QUANTITY / VARIATION

MADE BY D.K.Crabbe	CHECKED <i>J. Bess</i>	SECTION
DATE 11-26-75	DATE 26 NOV 75	1
ENG <i>D.K. Crabbe</i>	PROD <i>P. Watson</i>	ISSUED SECT.
DATE 11-26-75	DATE 8 Dec 75	1

ITEM NO.	DWG NO. / PART NO.	DESCRIPTION	LK11-Ø																
1	A-SP-3700208	LK11 Pckg. Instr.	1																
2	MAINDEC-11-DZLKA	Pushbutton Module Diagnostic	1																
3	EK-LK11-TM	LK11 Pushbutton Option Tech. Man.	1																

TITLE SHIPPING LIST LK11				ASSY NO. D-UA-LK11-Ø-Ø		SIZE A	CODE PL	NUMBER LK11-Ø-2				REV.	ECO NO.
SHEET 1 OF 1				DIST.									