

THIS DRAWING AND THE SPECIFICATIONS CONTAINED HEREIN ARE CONFIDENTIAL AND PROPRIETARY. THEY ARE THE PROPERTY OF DIGITAL EQUIPMENT CORPORATION AND SHALL NOT BE REPRODUCED OR COPIED OR USED IN WHOLE OR IN PART AS THE BASIS FOR MANUFACTURING OR SALE OF ITEMS WITHOUT WRITTEN PERMISSION. THIS IS AN UNPUBLISHED WORK PROTECTED UNDER THE FEDERAL COPYRIGHT LAWS.

COPYRIGHT 1987

FIELD MAINTENANCE PRINT SET

TABLE OF CONTENTS

K-00-5416932-01	MODULE
K-PL-DESTA-0-DBP	DESTA
D-UA-7022782-0-DBU	DESTA MAIN ASSY
K-PL-7022782-0-DBP	DESTA MAIN ASSY

UNIT VARIATIONS
COVERED BY THIS
PRINT SET

DESTA-AA

FIELD MAINTENANCE PRINT SET

DIGITAL EQUIPMENT CORPORATION

PRINT SET ORDER NO .

MP-02090-01 REV B01

REVISION HISTORY

CONT. REVISION HISTORY

MADE BY : T. HUMMEL

DATE : 01-MAY-86

J | i | g | i | t | a | l

REV	ECO NUMBER	DATE	REV	ECO NUMBER	DATE
-----	------------	------	-----	------------	------

CHECKED BY : F. CAREONE

DATE : 01-MAY-86

TIT L E : FIELD MAINTENANCE PRINT SET

1A	INITIAL	01-MAY-86	-	-	-
1E	DESTA-MK002	13-JAN-88	-	-	-
			-	-	-
			-	-	-
			-	-	-
			-	-	-
			-	-	-
			-	-	-

PROJECT ENGR : G. GRAHAM

DATE : 01-MAY-86

DESTA

RSPBLE ENGR : R. LABICH

DATE : 01-MAY-86

SIZE | CODE | DOCUMENT NUMBER | REV. |

1 | TC | DESTA-0-1 | B

FIELD SERVICE : J.D. CORBETT

DATE : 01-MAY-86

SHEET 1 OF 1 | EDIT : 1

DRAWING NO.	NO. SHTS	PART NO.	DESCRIPTION	REVISIONS
D-UA-5416932-0-0	2	5416932-01	DESTA BOARD	A1 B1 C1 C2
D-CS-5416932-0-1	1		DESTA	A B C D
K-PL-5416932-0-DBP	2		DESTA	A B C C
K-PC-5416932-0-DBJ			DESTA	A B C D
		5016931-01	P.C. DESIGN DATA BASE	H H J J
B-DD-5016931-0-0	1		ETCHED CIRCUIT BOARD	H1 H1 J1 J1
K-DD-5016931-0-0	1		DRAWING DIRECTORY	A A B IN
			DRAWING DIRECTORY	- - - C

NOTES:

	R	A	B	C	D
	E				
	V				
R					
E					
V					
I					
S					
T					
O					
R					
I					
O					
N					
Y					
	D	1	1	1	1
	A	2	1	2	2
	T	/	/	/	/
	E	8	8	8	8
		5	6	7	8

THIS DRAWING AND THE SPECIFICATIONS CONTAINED HEREIN ARE CONFIDENTIAL AND PROPRIETARY. THEY ARE THE PROPERTY OF DIGITAL EQUIPMENT CORPORATION AND SHALL NOT BE REPRODUCED OR COPIED OR USED IN WHOLE OR IN PART AS THE BASIS FOR THE MANUFACTURE OR SALE OF ITEMS WITHOUT WRITTEN PERMISSION. THIS IS AN UNPUBLISHED WORK PROTECTED UNDER THE FEDERAL COPYRIGHT LAWS. COPYRIGHT 1987	DRN: E. LANDRY	DATE: 22-DEC-85	d i g i t a l			
	CHK'D: B. CORMIER	DATE: 22-DEC-85	TITLE DESTA			
	DES.ENG.: R. LABICH	DATE: 22-DEC-85	SHEET	1	OF	1
			EDIT: 3			
	RESP.ENG.: R. LABICH	DATE: 19-MAY-86	DOCUMENT NUMBER			
			DD FILENAME: 54169320.DDF			
MFG.ENG.: CARY LIPA	DATE: 19-MAY-86	SIZE	CODE	NUMBER	REV	
		K	DD	5416932-0-0	D	

LINE ITEM	TOP DOCUMENT	PART NUMBER	MIN REV	DESCRIPTION	AA C2	QUANTITY PER VARIATION/REVISION
1	1	D-UA-7022782-0-DBU	70-22782-01 B	DESTA ASSY	1	
2	2		12-25869-01	TEE,COAX BNC	1	
3	3		37-00910-02	PKG TRANSCEIVER DESTA CUSTOMER	REF	
4	4		12-26595-01	VELCRO STRIP .62WDX	1	
5	5		EK-DESTA-IN	DESTA INSTALLATION CARD	1	
6	6		EK-CABLE-IN	THINWIRE ETHERNET CABLE CONNECTOR	1	
7	7		EK-DESTA-CN	*** THIS ITEM IS NOT USED ***	-	

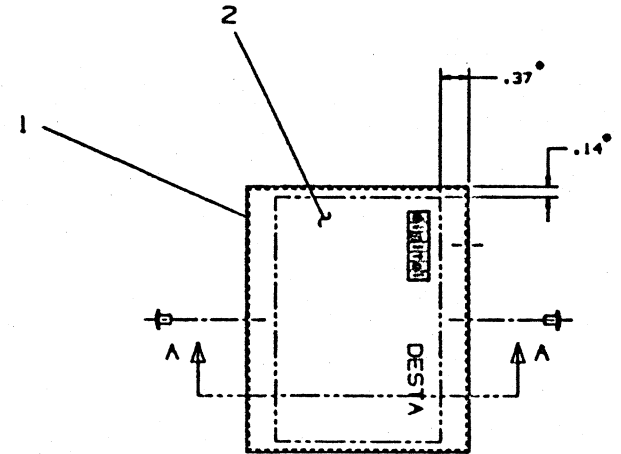
REVISION HISTORY			KPL MATRIX FORMAT SECTION A OF A		DRN: T. HUMMEL	DIGITAL				
ENG	ECO NUMBER	REV	SECT'C	VARIATION INDEX	DATE: 16-APR-86	TITLE		PARTS LIST		
---	INITIAL	A	[A]	AA	CHK'D: F. CARBONE	DESTA				
RL	DESTA-ML001	B	[B]		DATE: 16-APR-86					
RL	DESTA-MK002	C	[C]		DES.ENG: G. GRAHAM					
RL	DESTA-MK003	D	[D]		DATE: 16-APR-86	DOCUMENT NUMBER				
			[E]		RESP.ENG.: R. LABICH	SIZE	CODE	NUMBER	REV	
			[F]		DATE: 01-MAY-86	K	PL	DESTA-0-DBP	D	
			[H]		MFG.ENG: C. LIPA	RELEASE DATE: 17-JUN-88				
			[J]		DATE: 01-MAY-86	RELEASE STATUS: RELEASED				
			BASIC PART NUMBER:		ASSEMBLY NUMBER:		TOP DOCUMENT NUMBER:		FILE NAME:	
			DESTA				K-DD-DESTA-0-0		DESTAD.PLS	
									EDIT #	
									2	

"THIS DRAWING AND THE SPECIFICATIONS CONTAINED HEREIN ARE CONFIDENTIAL AND PROPRIETARY. THEY ARE THE PROPERTY OF DIGITAL EQUIPMENT CORPORATION AND SHALL NOT BE REPRODUCED OR COPIED OR USED IN WHOLE OR IN PART AS THE BASIS FOR THE MANUFACTURE OR SALE OF ITEMS WITHOUT WRITTEN PERMISSION. THIS IS AN UNPUBLISHED WORK PROTECTED UNDER THE FEDERAL COPYRIGHT LAWS."

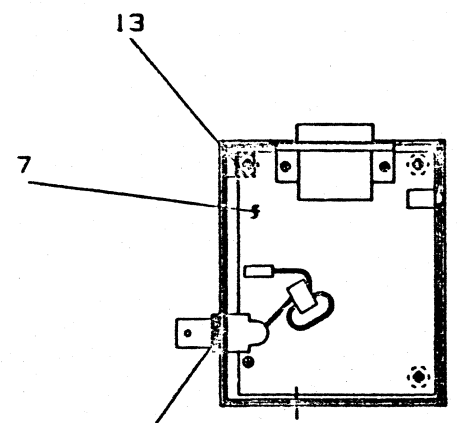
THIS DRAWING AND THE SPECIFICATIONS CONTAINED HEREIN ARE CONFIDENTIAL AND PROPRIETARY. THEY ARE THE PROPERTY OF DIGITAL EQUIPMENT CORPORATION AND SHALL NOT BE REPRODUCED OR COPIED OR USED IN WHOLE OR IN PART AS THE BASIS FOR THE MANUFACTURE OR SALE OF ITEMS WITHOUT WRITTEN PERMISSION. THIS IS AN UNPUBLISHED WORK PROTECTED UNDER THE FEDERAL COPYRIGHT LAWS, 1988

LEGEND		
PART NO.	REV	VARIATION
70-22782-01	B01	AS SHOWN

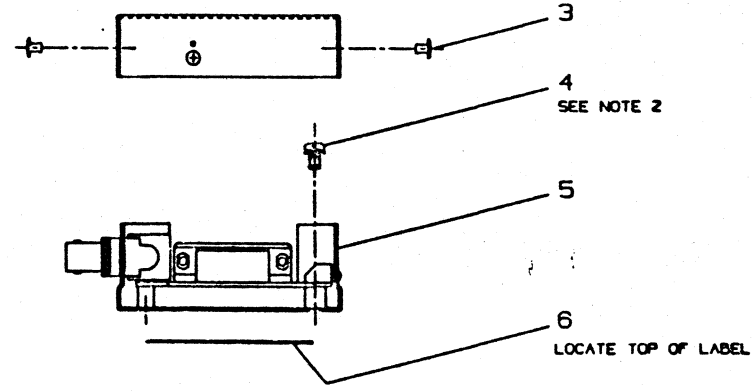
- NOTES:
1. DIMENSIONS WITH ASTERICK (*) ARE USED TO LOCATE TOP AND BOTTOM LABELS
 2. ITEM 4 TO BE TORQUED TO 8.0 INCH-POUNDS
 3. ITEM 11 TO BE TORQUED TO 5.0 INCH-POUNDS
 4. ITEM 12 WIPE SHOULD BE CONNECTED TO J1 OF THE 54-16932-01.



TOP VIEW



TOP VIEW COVER REMOVED



SECTION A-A

CAUTION: OFF SHEET PARTS LIST EXISTS SEE K-PL-7022782-0-08P

REV.	CHANGE NO.	INITIAL
A		
B		

REVISIONS
 CHANGE NO. REV. INITIAL
 DESTA-MK002 B
 B. BRIGHT 27 JAN 88
 R. LABICH

DESCRIPTION	DRAWING NO.	PART NO.	1/4" NO.
UNLESS OTHERWISE SPECIFIED DIMENSIONS ARE IN INCHES AND THE FOLLOWING TOLERANCES APPLY (PER DEC STD 114)			
INCHES TOLERANCES	ANGLES	DIMENSION RANGE IN INCHES	
		OVER 0.375	OVER 0.375
.01 ± .01	± .01	0.00	0.00
.005 ± .005	± .005	0.00	0.00
.002 ± .002	± .002	0.00	0.00
THIRD ANGLE PROJECTION			
DO NOT SCALE DRAWING		DATE	4/9/88
REMOVE BURRS AND BREAK SHARP CORNERS		DATE	4/9/88
SEE PARTS LIST		DATE	4/9/88
FINISH		DATE	4/9/88
TITLE		DESTA MAIN ASSY.	
DOCUMENT NUMBER		DUA 7022782-0-08P	
SCALE		1/1	
SHEET		1 OF 1	

DUA 7022782-0-08P B

LINE	ITEM	TOP DOCUMENT	PART NUMBER	MIN REV	DESCRIPTION	QTY
1	1	C-IA-7433299-0-DBU	74-33299-01		COVER,DESTA	1
2	2		36-26145-01		LABEL,DESTA FRONT	1
3	3		90-00052-01		RIVET,REPETITION CLINCH .12501A	2
4	4		90-10174-00		SCREW,SEMS PAN PHIL 6-32	3
5	5	D-MD-7433411-0-DBU	74-33411-01		BASE,DESTA	1
6	6		36-26145-02		LABEL,DESTA REAR	1
7	7		54-16932-01	C	THINWIRE ETHERNET STATION ADAPTER	1
8	8		90-09026-00		*** THIS ITEM IS NOT USED ***	-
9	9		90-00037-05		*** THIS ITEM IS NOT USED ***	-
10	10		90-10563-01		*** THIS ITEM IS NOT USED ***	-
11	11		90-09643-02		*** THIS ITEM IS NOT USED ***	-
12	12		17-01669-01		WIRE HARN ASSY	1
13	13		12-28263-01		SHIELD,RFI/EMI PROTECTIVE W/ .1875	1

REVISION HISTORY		KPL MATRIX FORMAT		SECTION A OF A		ORN: T. HUMMEL		DIGITAL	
ENG	ECO NUMBER	REV	SECTION/VARIATION INDEX		DATE	14-APR-86			
---	INITIAL	A	(A)	01	CHK'D:	F. CARBONE		TITLE PARTS LIST	
RL	DESTA-MK002	B	(B)		DATE:	14-APR-86		DESTA	
			(C)		DES.ENG:	R. LABICH		MAIN ASSY.	
			(D)		DATE:	01-MAY-86		DOCUMENT NUMBER	
			(E)		RESP.ENG.:	R. LABICH		SIZE	CODE
			(F)		DATE:	14-APR-86		K	PL
			(H)		MFG.ENG.:	C. LIPA		7022732-0-DBP	
			(J)		DATE:	01-MAY-86		8	
								RELEASE DATE: 10-FEB-88	
								RELEASE STATUS: RELEASED	
BASIC PART NUMBER:		ASSEMBLY NUMBER:		TOP DOCUMENT NUMBER:		FILE NAME:		EDIT #	
7022782		D-UA-7022732-0-DBU		K-PL-DESTA-0-DBP		7022732B.PLS		4	

"THIS DRAWING AND THE SPECIFICATIONS CONTAINED HEREIN ARE CONFIDENTIAL AND PROPRIETARY. THEY ARE THE PROPERTY OF DIGITAL EQUIPMENT CORPORATION AND SHALL NOT BE REPRODUCED OR COPIED OR USED IN WHOLE OR IN PART AS THE BASIS FOR THE MANUFACTURE OR SALE OF ITEMS WITHOUT WRITTEN PERMISSION. THIS IS AN UNPUBLISHED WORK PROTECTED UNDER THE FEDERAL COPYRIGHT LAWS."