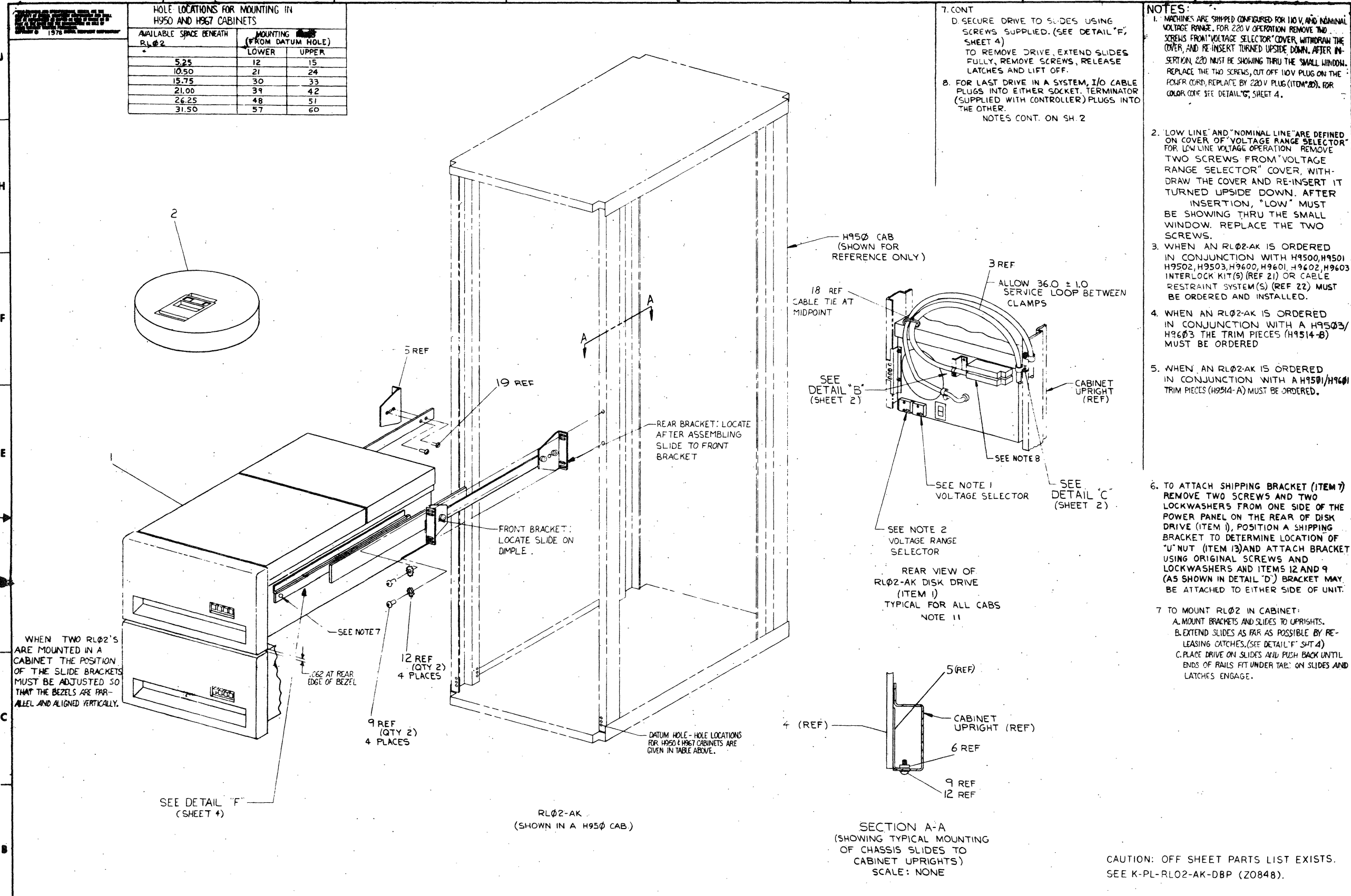


HOLE LOCATIONS FOR MOUNTING IN H950 AND H967 CABINETS		
AVAILABLE SPACE BENEATH RLØ2	MOUNTING (FROM DATUM HOLE)	
	LOWER	UPPER
5.25	12	15
10.50	21	24
15.75	30	33
21.00	39	42
26.25	48	51
31.50	57	60



7. CONT
 D. SECURE DRIVE TO SLIDES USING SCREWS SUPPLIED. (SEE DETAIL "F", SHEET 4)
 TO REMOVE DRIVE, EXTEND SLIDES FULLY, REMOVE SCREWS, RELEASE LATCHES AND LIFT OFF.
 8. FOR LAST DRIVE IN A SYSTEM, I/O CABLE PLUGS INTO EITHER SOCKET. TERMINATOR (SUPPLIED WITH CONTROLLER) PLUGS INTO THE OTHER.
 NOTES CONT. ON SH. 2

- NOTES:**
- MACHINES ARE SHIPPED CONFIGURED FOR 110 V. AND NOMINAL VOLTAGE RANGE. FOR 220 V OPERATION REMOVE TWO SCREWS FROM "VOLTAGE SELECTOR" COVER, WITHDRAW THE COVER, AND RE-INSERT TURNED UPSIDE DOWN. AFTER INSERTION, 220 MUST BE SHOWING THRU THE SMALL WINDOW. REPLACE THE TWO SCREWS, CUT OFF 10V PLUG ON THE POWER CORD, REPLACE BY 220V PLUG (ITEM 20), FOR COLOR CODE SEE DETAIL "G", SHEET 4.
 - "LOW LINE" AND "NOMINAL LINE" ARE DEFINED ON COVER OF "VOLTAGE RANGE SELECTOR" FOR LOW LINE VOLTAGE OPERATION REMOVE TWO SCREWS FROM "VOLTAGE RANGE SELECTOR" COVER, WITHDRAW THE COVER AND RE-INSERT IT TURNED UPSIDE DOWN. AFTER INSERTION, "LOW" MUST BE SHOWING THRU THE SMALL WINDOW. REPLACE THE TWO SCREWS.
 - WHEN AN RLØ2-AK IS ORDERED IN CONJUNCTION WITH H9500, H9501, H9502, H9503, H9600, H9601, H9602, H9603 INTERLOCK KIT(S) (REF 21) OR CABLE RESTRAINT SYSTEM(S) (REF 22) MUST BE ORDERED AND INSTALLED.
 - WHEN AN RLØ2-AK IS ORDERED IN CONJUNCTION WITH A H9503/ H9603 THE TRIM PIECES (H9514-B) MUST BE ORDERED.
 - WHEN AN RLØ2-AK IS ORDERED IN CONJUNCTION WITH A H9501/ H9601 TRIM PIECES (H9514-A) MUST BE ORDERED.
 - TO ATTACH SHIPPING BRACKET (ITEM 7) REMOVE TWO SCREWS AND TWO LOCKWASHERS FROM ONE SIDE OF THE POWER PANEL ON THE REAR OF DISK DRIVE (ITEM 1), POSITION A SHIPPING BRACKET TO DETERMINE LOCATION OF "U" NUT (ITEM 13) AND ATTACH BRACKET USING ORIGINAL SCREWS AND LOCKWASHERS AND ITEMS 12 AND 9 (AS SHOWN IN DETAIL "D") BRACKET MAY BE ATTACHED TO EITHER SIDE OF UNIT.
 - TO MOUNT RLØ2 IN CABINET:
 A. MOUNT BRACKETS AND SLIDES TO UPRIGHTS.
 B. EXTEND SLIDES AS FAR AS POSSIBLE BY RELEASING CATCHES. (SEE DETAIL "F" SH. 4)
 C. PLACE DRIVE ON SLIDES AND PUSH BACK UNTIL ENDS OF RAILS FIT UNDER TABS ON SLIDES AND LATCHES ENGAGE.

WHEN TWO RLØ2'S ARE MOUNTED IN A CABINET THE POSITION OF THE SLIDE BRACKETS MUST BE ADJUSTED SO THAT THE BEZELS ARE PARALLEL AND ALIGNED VERTICALLY.

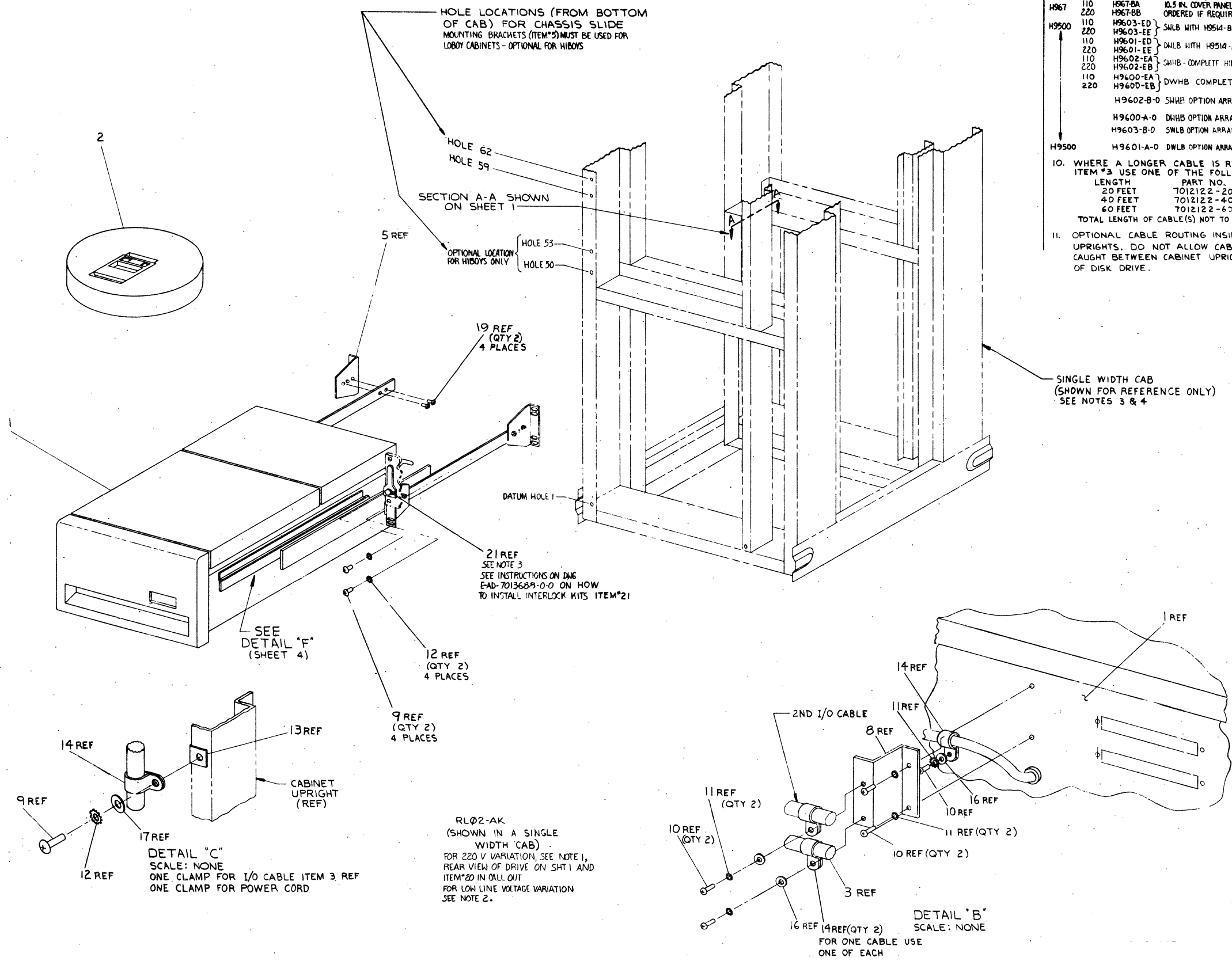
REV	DATE	DESCRIPTION	BY	CHKD
1	11/17/77	ISSUE FOR PRODUCTION	B. MILLER	A. HILL
2	12/15/77	REVISED TO SHOW REVISIONS TO DRAWING	B. MILLER	A. HILL
3	1/10/78	REVISED TO SHOW REVISIONS TO DRAWING	B. MILLER	A. HILL

QUANTITY	VARIATION	DESCRIPTION	QTY	UNIT	ITEM NO.
1		DISK DRIVE MTG. KIT & CARTRIDGE	1	EA	RLØ2-AK-Ø

CAUTION: OFF SHEET PARTS LIST EXISTS. SEE K-PL-RLØ2-AK-DBP (Z0848).

REVISIONS

J
H
F
E
D
C
B
A



NOTES: (CONT.)

9. CABINET OPTIONS INCLUDE SKINS, DOORS, COVERS, TRIM, PWR CONTROLLERS.

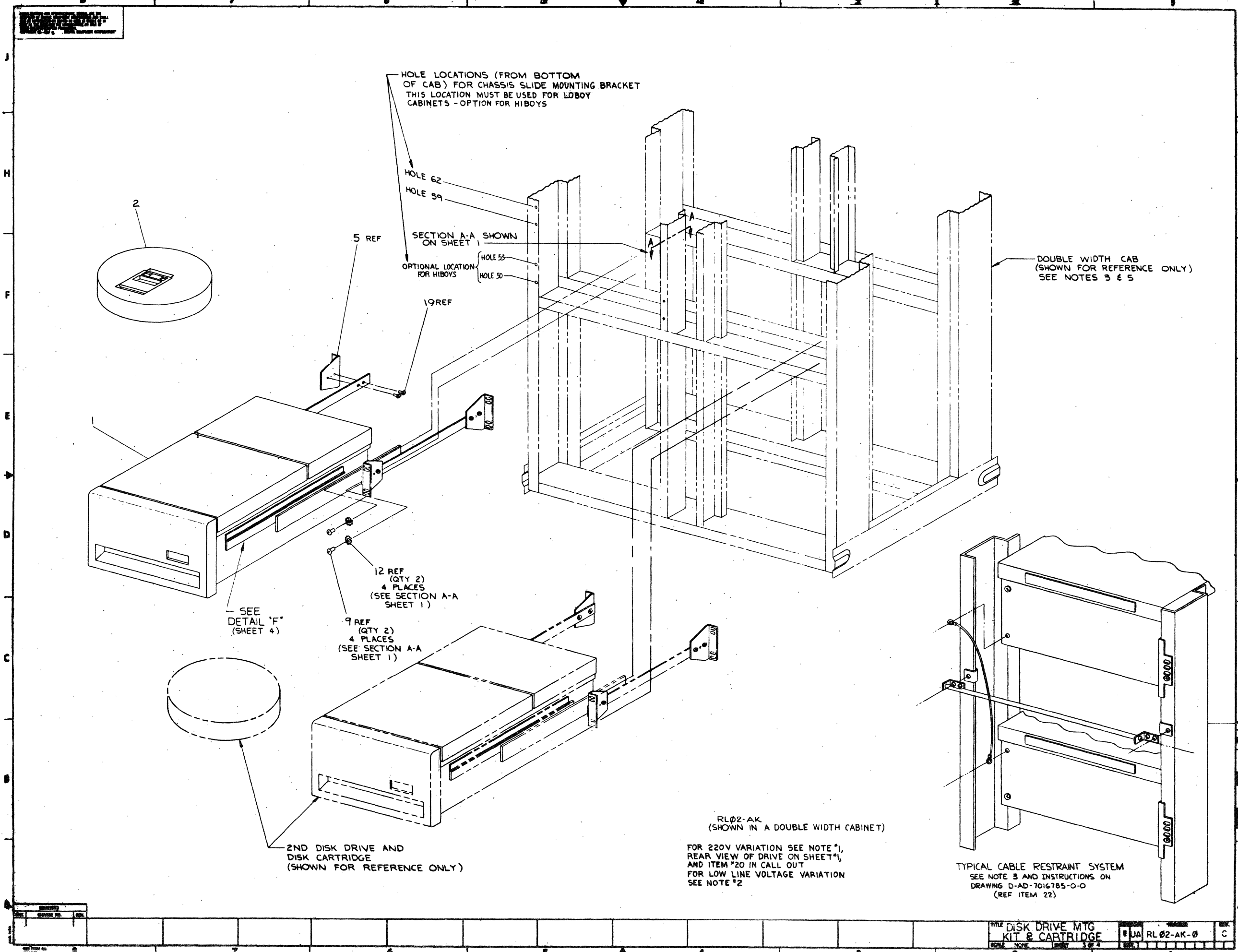
TYPE	VOLTAGE	DWG	REMARKS
H950	110	H960-BC	INCLUDES FIVE 10.5 IN. PANELS
	220	H960-BD	
H967	110	H967-BA	10.5 IN. COVER PANELS (H950-QA) MUST BE ORDERED IF REQUIRED.
	220	H967-BB	
H9500	110	H9603-ED	SALB WITH H9514-B TOP COVERS.
	220	H9603-EE	
	110	H9601-ED	DWLB WITH H9514-A TOP COVERS.
	220	H9601-EE	
	110	H9602-EA	CWHB - COMPLETE HIBOY CABINET.
	220	H9602-EB	
	110	H9400-EA	DWHB COMPLETE HIBOY CABINET
	220	H9400-EB	
		H9602-B-D	SHWR OPTION ARRANGEMENT DWG. ORDER AS REQ'D
		H9600-A-D	DWHB OPTION ARRANGEMENT DWG. ORDER AS REQ'D
		H9603-B-D	SWLB OPTION ARRANGEMENT DWG. ORDER AS REQ'D
H9500		H9601-A-D	DWLB OPTION ARRANGEMENT DWG. ORDER AS REQ'D

10. WHERE A LONGER CABLE IS REQUIRED THAN ITEM#3 USE ONE OF THE FOLLOWING:
- | LENGTH | PART NO. |
|---------|------------|
| 20 FEET | 7012122-20 |
| 40 FEET | 7012122-40 |
| 60 FEET | 7012122-60 |
- TOTAL LENGTH OF CABLE(S) NOT TO EXCEED 100 FEET
11. OPTIONAL CABLE ROUTING INSIDE CHANNEL UPRIGHTS. DO NOT ALLOW CABLES TO BE CAUGHT BETWEEN CABINET UPRIGHTS AND REAR OF DISK DRIVE.

REV.	DESCRIPTION	DATE

TITLE	DISK DRIVE MTG KIT & CARTRIDGE	NO. OF SHEETS	2 OF 4	REV.	C
SCALE	NONE	SHEET	2 OF 4	DATE	

8 7 6 5 4 3 2 1



HOLE LOCATIONS (FROM BOTTOM OF CAB) FOR CHASSIS SLIDE MOUNTING BRACKET
THIS LOCATION MUST BE USED FOR LOBBY CABINETS - OPTION FOR HIBOYS

HOLE 62
HOLE 59

SECTION A-A SHOWN ON SHEET 1

OPTIONAL LOCATION FOR HIBOYS
HOLE 55
HOLE 50

5 REF

19 REF

12 REF (QTY 2)
4 PLACES (SEE SECTION A-A SHEET 1)

9 REF (QTY 2)
4 PLACES (SEE SECTION A-A SHEET 1)

SEE DETAIL 'F' (SHEET 4)

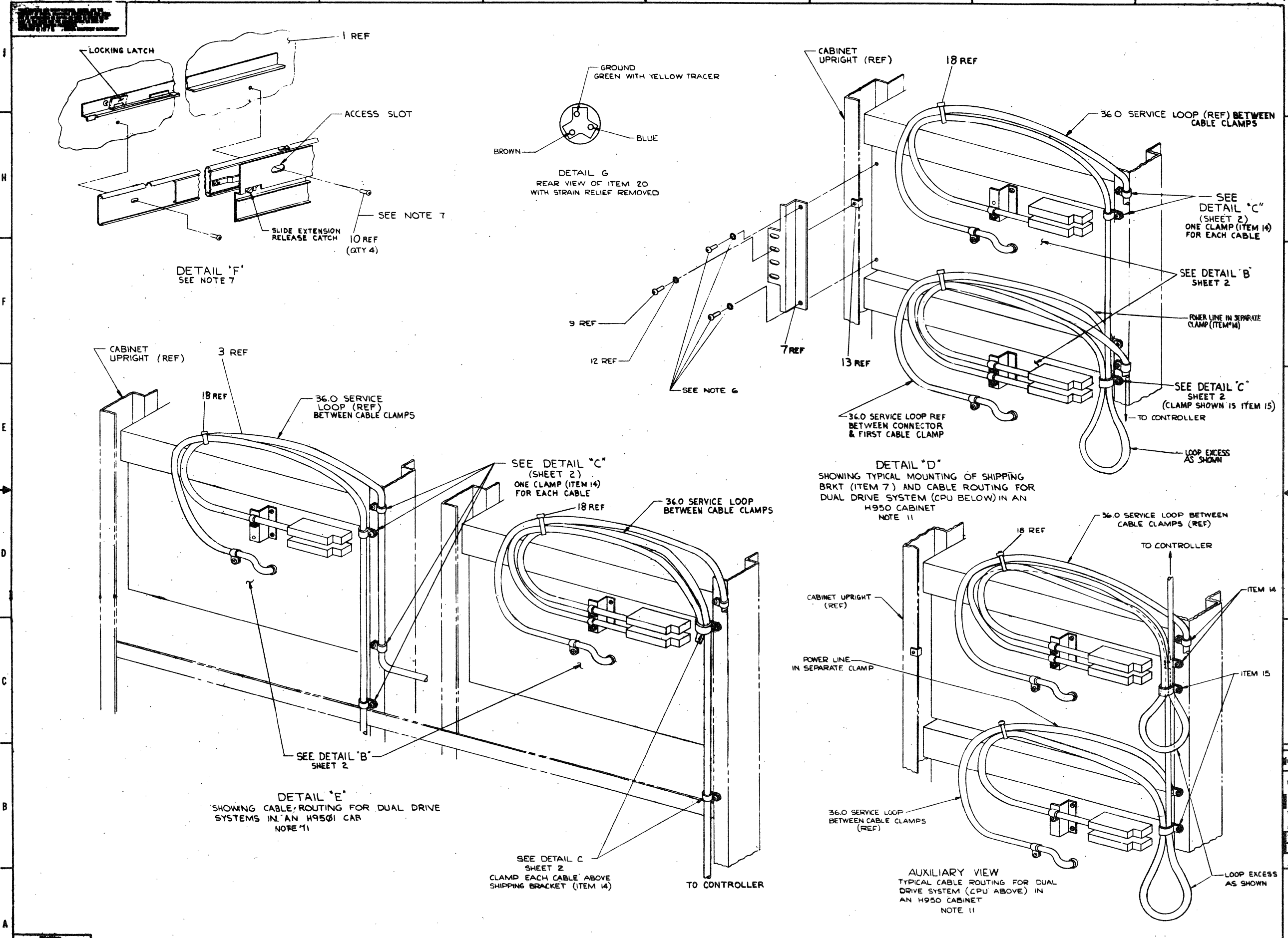
2ND DISK DRIVE AND DISK CARTRIDGE (SHOWN FOR REFERENCE ONLY)

DOUBLE WIDTH CAB (SHOWN FOR REFERENCE ONLY) SEE NOTES 3 & 5

RL02-AK (SHOWN IN A DOUBLE WIDTH CABINET)

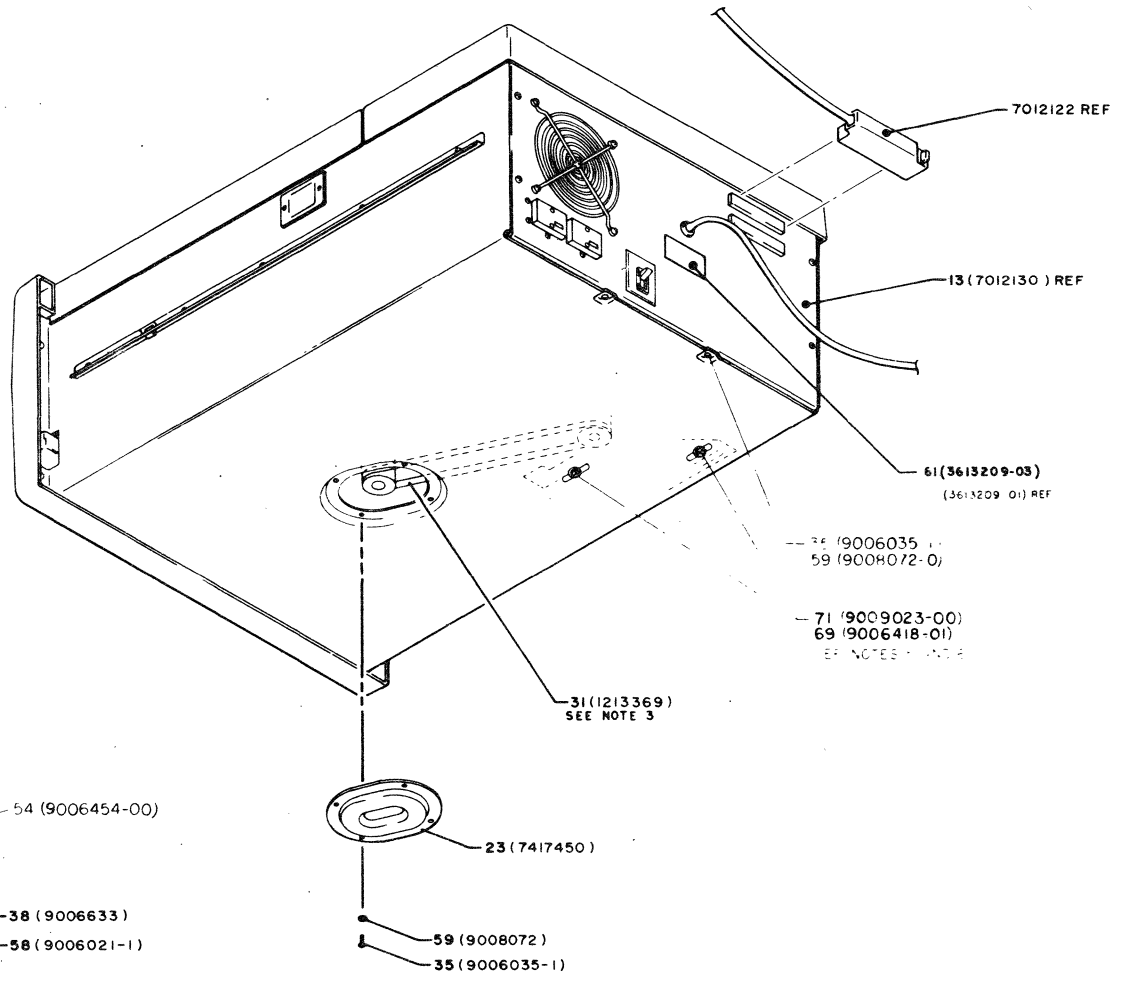
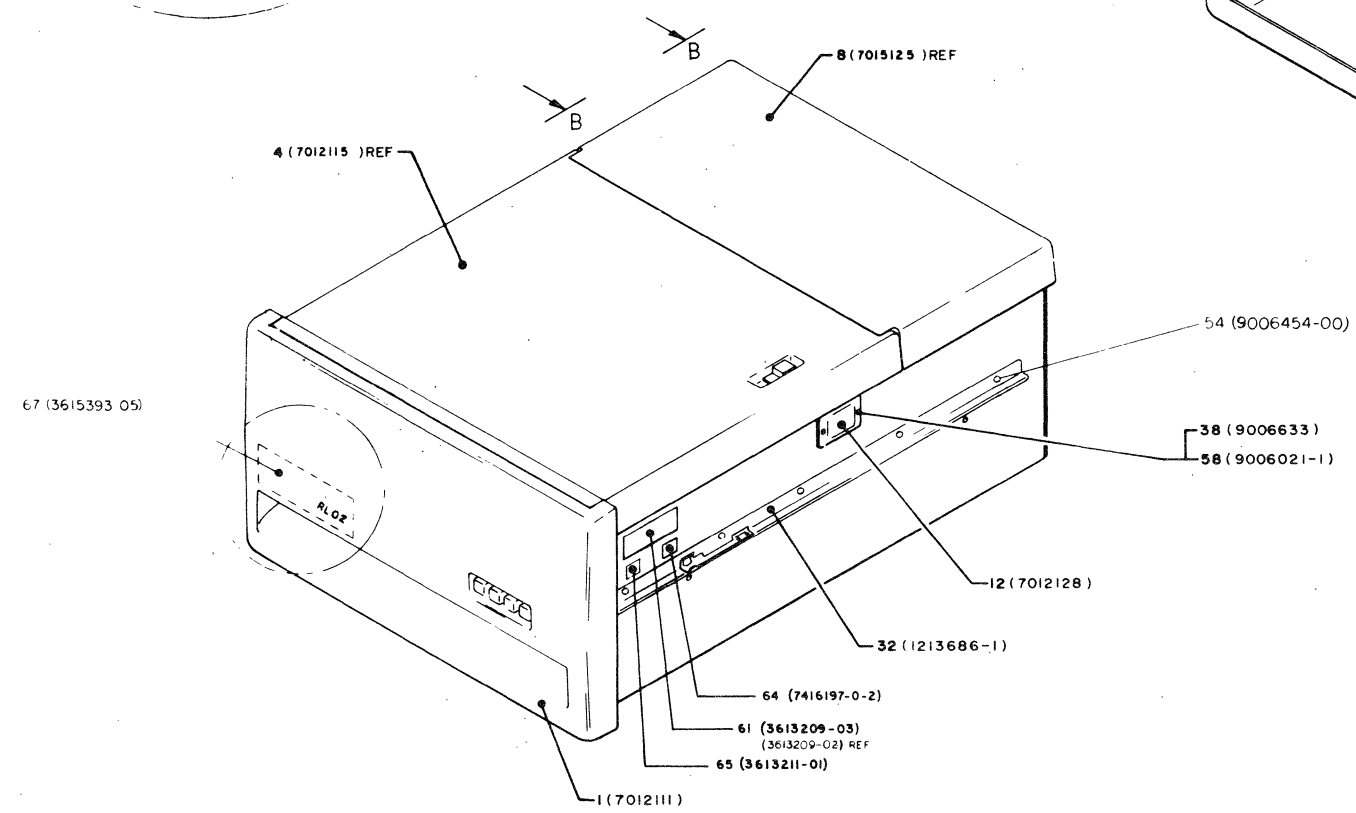
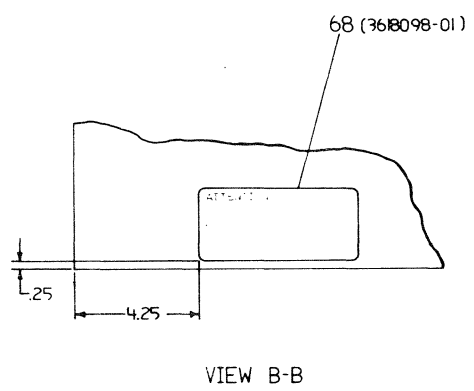
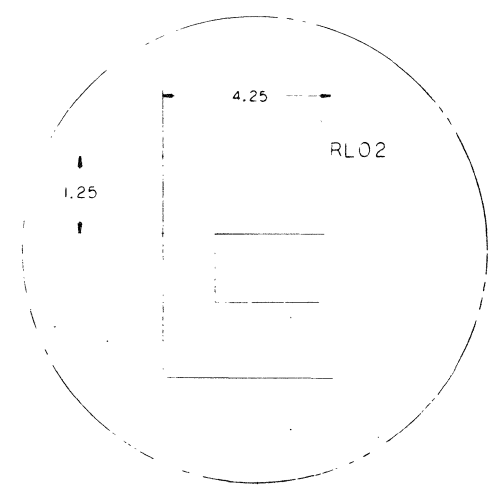
FOR 220V VARIATION SEE NOTE #1, REAR VIEW OF DRIVE ON SHEET #1, AND ITEM #20 IN CALL OUT FOR LOW LINE VOLTAGE VARIATION SEE NOTE #2

TYPICAL CABLE RESTRAINT SYSTEM SEE NOTE 3 AND INSTRUCTIONS ON DRAWING D-AD-7016785-0-0 (REF ITEM 22)



REVISIONS

- NOTES**
1. LOWER HEAD (ITEM 65) SHALL BE POSITIONED REARWARDS AGAINST PIN IN CARRIAGE.
 2. ALL SCREWS TO BE TIGHTENED AS FOLLOWS:
 4-40 SCREW, TORQUE 35 ± 0.5 IN LBS
 6-32 " " " 50 ± 10 " "
 8-32 " " " 100 ± 10 " "
 10-32 " " " 180 ± 20 " "
 3. DRIVE BELT TENSION 10.0 ± 1.0 LBS.
 4. 4-40 HEAD MOUNTING BOLTS TO BE TIGHTENED TO 5 ± 5 IN. LBS.
 5. TORQUE 8-32 SELF TAPPING HARDWARE (ITEM 69) TO 16-18 IN LBS.
 6. BLOWER HOUSING SECURING HARDWARE TO BE REMOVED BEFORE OPERATING UNIT.



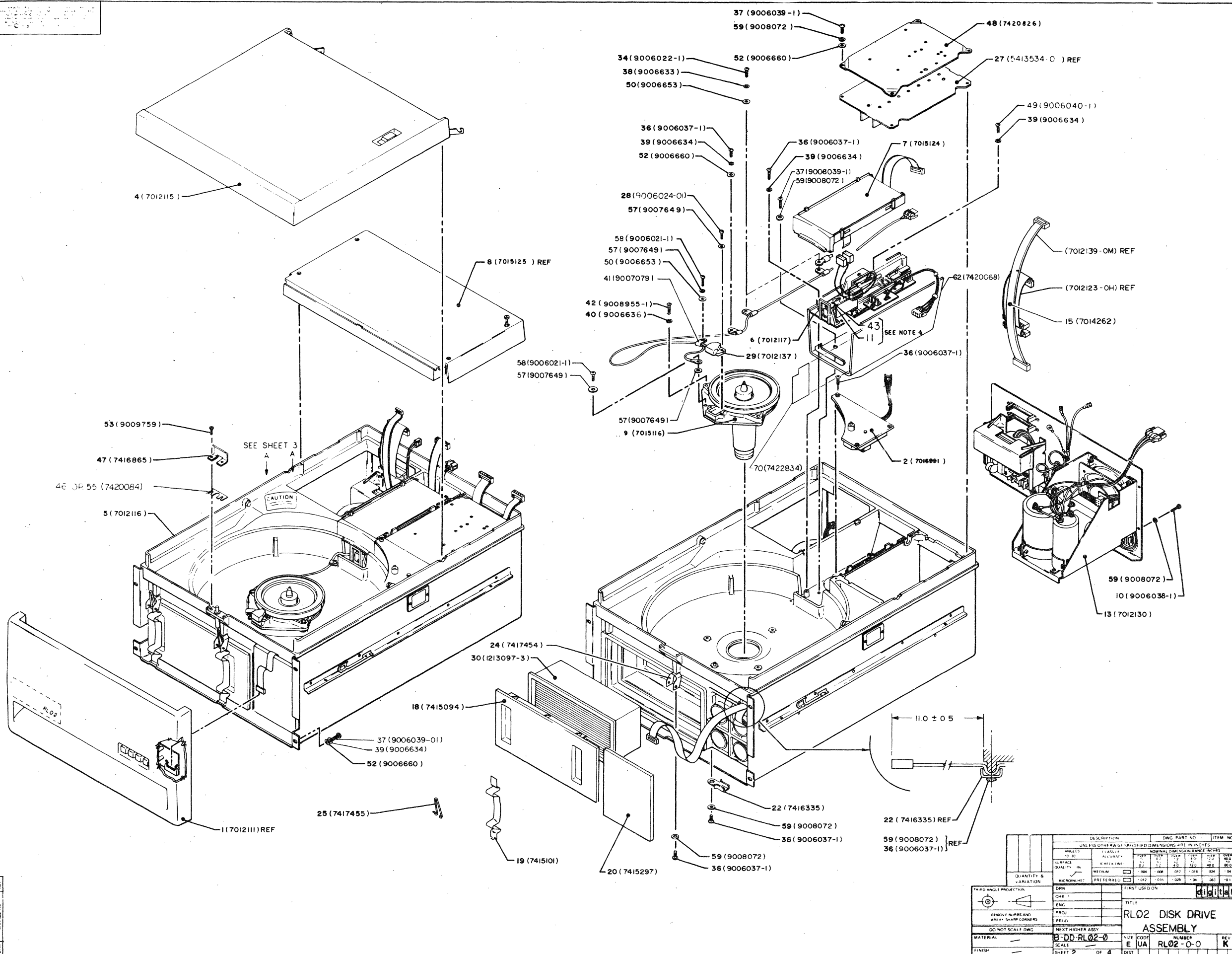
REV	DATE	BY	DESCRIPTION
1			RELEASED TO PRODUCTION
2			REVISION
3			REVISION
4			REVISION
5			REVISION
6			REVISION
7			REVISION
8			REVISION
9			REVISION
10			REVISION
11			REVISION
12			REVISION
13			REVISION
14			REVISION
15			REVISION
16			REVISION
17			REVISION
18			REVISION
19			REVISION
20			REVISION

CAUTION
 OFF-SHEET PARTS LIST EXISTS.
 SEE K-PL-RL02-0-DBP (Z0485).

DESCRIPTION		DWG PART NO	ITEM NO
UNLESS OTHERWISE SPECIFIED DIMENSIONS ARE IN INCHES			
ANGLES	CLASS OF ACCURACY	DIMENSIONAL TOLERANCES UNLESS OTHERWISE SPECIFIED	
SURFACE QUALITY	CHECK ONE	0.005	0.010
QUANTITY & VARIATION	MEDIUM	0.015	0.020
	PREFERRED	0.030	0.040
		0.050	0.060
		0.075	0.100
		0.125	0.150
		0.200	0.250
		0.300	0.400
		0.500	0.750
		1.000	1.500
		2.000	3.000
		3.000	4.000
		4.000	5.000
		5.000	6.000
		6.000	7.000
		7.000	8.000
		8.000	9.000
		9.000	10.000
		10.000	11.000
		11.000	12.000
		12.000	13.000
		13.000	14.000
		14.000	15.000
		15.000	16.000
		16.000	17.000
		17.000	18.000
		18.000	19.000
		19.000	20.000
		20.000	21.000
		21.000	22.000
		22.000	23.000
		23.000	24.000
		24.000	25.000
		25.000	26.000
		26.000	27.000
		27.000	28.000
		28.000	29.000
		29.000	30.000
		30.000	31.000
		31.000	32.000
		32.000	33.000
		33.000	34.000
		34.000	35.000
		35.000	36.000
		36.000	37.000
		37.000	38.000
		38.000	39.000
		39.000	40.000
		40.000	41.000
		41.000	42.000
		42.000	43.000
		43.000	44.000
		44.000	45.000
		45.000	46.000
		46.000	47.000
		47.000	48.000
		48.000	49.000
		49.000	50.000
		50.000	51.000
		51.000	52.000
		52.000	53.000
		53.000	54.000
		54.000	55.000
		55.000	56.000
		56.000	57.000
		57.000	58.000
		58.000	59.000
		59.000	60.000
		60.000	61.000
		61.000	62.000
		62.000	63.000
		63.000	64.000
		64.000	65.000
		65.000	66.000
		66.000	67.000
		67.000	68.000
		68.000	69.000
		69.000	70.000
		70.000	71.000
		71.000	72.000
		72.000	73.000
		73.000	74.000
		74.000	75.000
		75.000	76.000
		76.000	77.000
		77.000	78.000
		78.000	79.000
		79.000	80.000
		80.000	81.000
		81.000	82.000
		82.000	83.000
		83.000	84.000
		84.000	85.000
		85.000	86.000
		86.000	87.000
		87.000	88.000
		88.000	89.000
		89.000	90.000
		90.000	91.000
		91.000	92.000
		92.000	93.000
		93.000	94.000
		94.000	95.000
		95.000	96.000
		96.000	97.000
		97.000	98.000
		98.000	99.000
		99.000	100.000

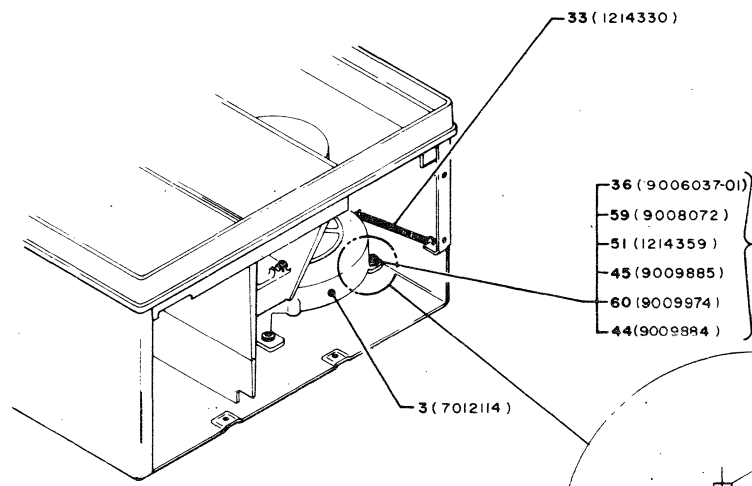
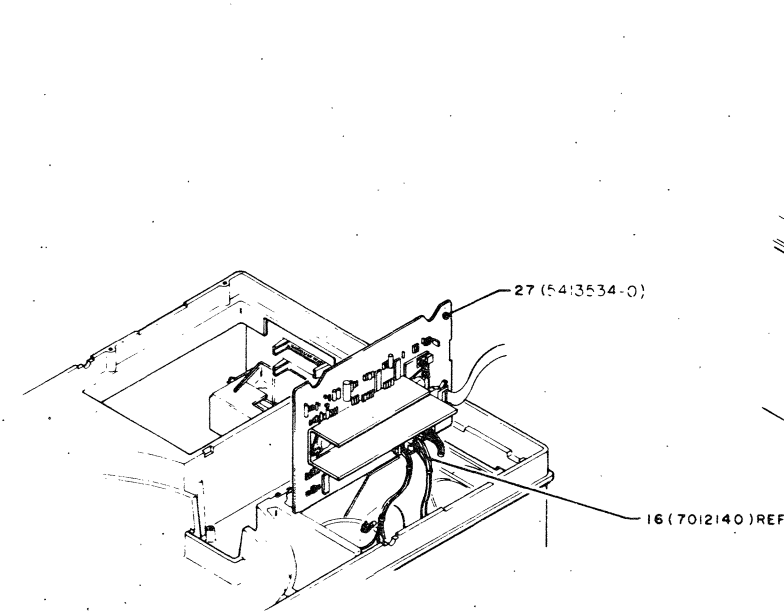
REVISED

REVISED
CHANGE NO

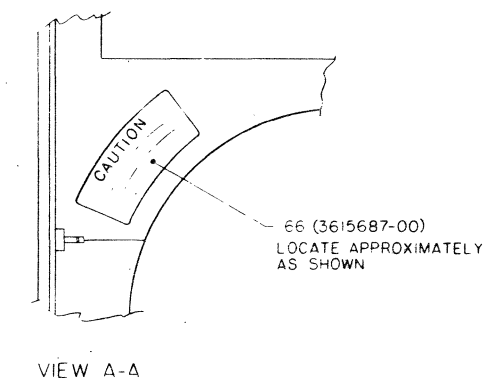
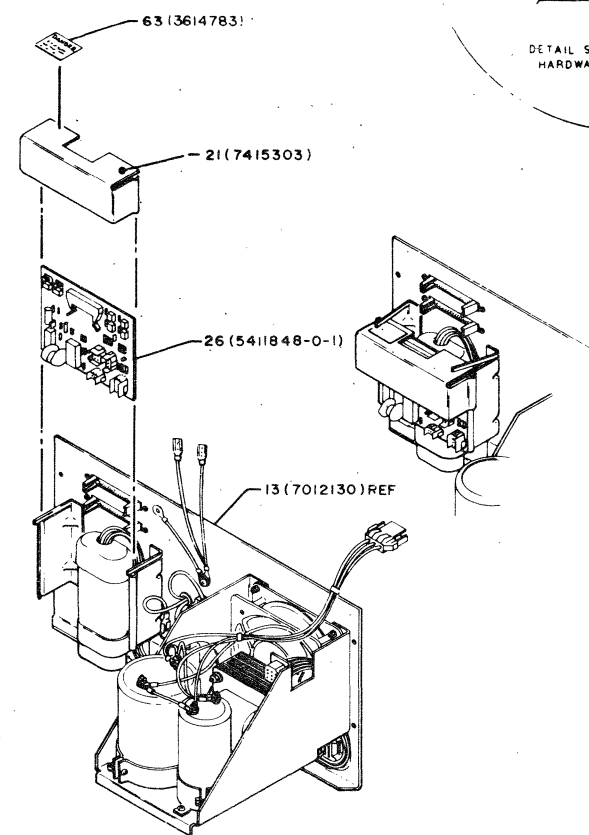
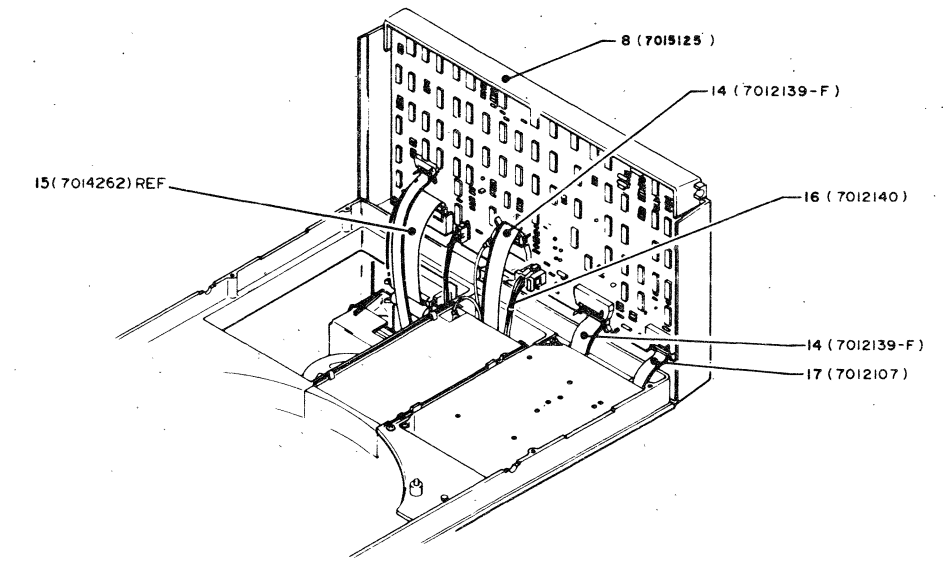
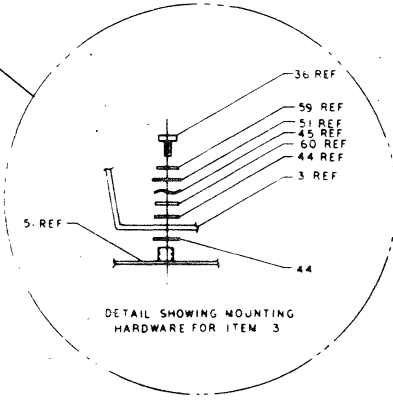


DESCRIPTION	QTY	UNIT	ITEM NO
UNLESS OTHERWISE SPECIFIED DIMENSIONS ARE IN INCHES			
ANGLES			
TOLERANCES			
SURFACE			
QUALITY			
MATERIAL			
MICROFINISH			
FINISH			
DRN			
CHE			
ENG			
PROJ			
PREP			
DO NOT SCALE DWG			
NEXT HIGHER ASSY			
MATERIAL			
SCALE			
FINISH			

DESCRIPTION	QTY	UNIT	ITEM NO
RL02 DISK DRIVE ASSEMBLY			
SCALE			
SHEET 2 OF 4			



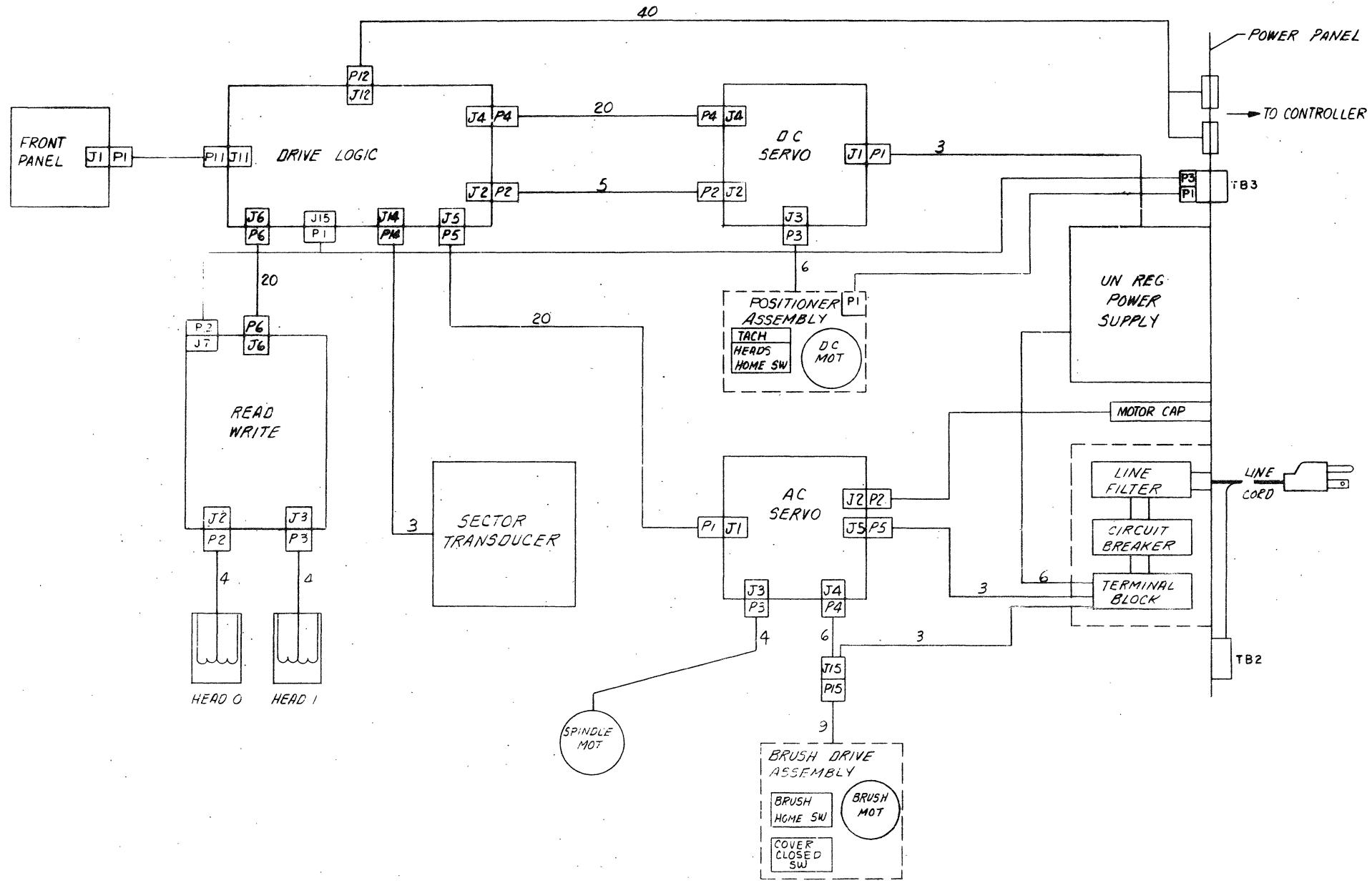
- PARTS LISTED IN ASSEMBLY ORDER
- 36 (9006037-0)
 - 59 (9008072)
 - 51 (1214359)
 - 45 (9009885)
 - 60 (9009974)
 - 44 (9009884)



REVISIONS
 DATE CHANGE NO. BY

		RL02 DISK DRIVE ASSEMBLY	
B-DD-RL02-0		E UA RL02-0-0	
SHEET 3 OF 4		DIST	

"THIS DRAWING AND SPECIFICATIONS, HEREIN, ARE THE PROPERTY OF DIGITAL EQUIPMENT CORPORATION AND SHALL NOT BE REPRODUCED OR COPIED OR USED IN WHOLE OR IN PART AS THE BASIS FOR THE MANUFACTURE OR SALE OF ITEMS WITHOUT WRITTEN PERMISSION. COPYRIGHT © 1978 DIGITAL EQUIPMENT CORPORATION"

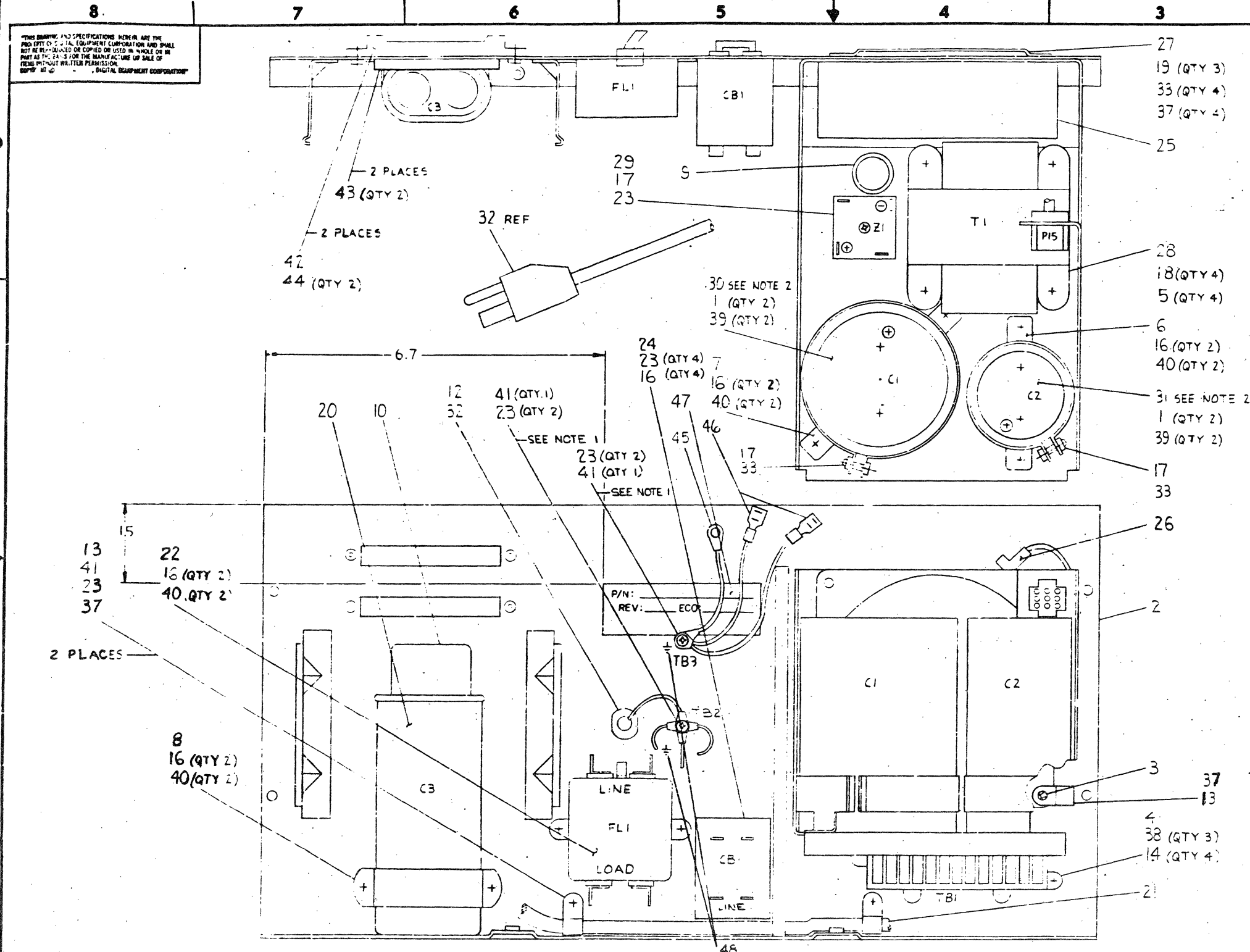


QUANTITY & VARIATION		DESCRIPTION	DWG./PART NO.	ITEM NO.
UNLESS OTHERWISE SPECIFIED DIMENSIONS ARE IN INCHES				
ANGLES 30° 30'	CLASS OF ACCURACY	NOMINAL DIMENSION RANGE INCHES		
SURFACE QUALITY IN	(CHECK ONE)	OVER 0 TO 0.2	OVER 0.2 TO 1.2	OVER 1.2 TO 12.0
		OVER 12.0 TO 40.0	OVER 40.0 TO 80.0	OVER 80.0 TO 100.0
MEDIUM		±.004	±.008	±.012
PREFERRED		±.012	±.016	±.025
MICROINCHES		±.004	±.008	±.012
THIRD ANGLE PROJECTION		DRN: P. N. [Signature]	25 Sep 78	FIRST USED ON RL02
REMOVE BURRS AND BREAK SHARP CORNERS		CHK'D: W. [Signature]	4 Nov 78	TITLE RL02 SYSTEM CABLING
DO NOT SCALE DWG		ENG		SIZE CODE D IC
NEXT HIGHER ASSY.		PROJ. ENG.		NUMBER RL02-0-3
MATERIAL		PROB		REV. C
FINISH		SCALE		DIST.
		SHEET 2 OF 2		

REV.	CHANGE NO.

THIS DRAWING AND SPECIFICATIONS HEREIN ARE THE PROPERTY OF DIGITAL EQUIPMENT CORPORATION AND SHALL NOT BE REPRODUCED OR COPIED OR USED IN WHOLE OR IN PART AS THE BASIS FOR THE MANUFACTURE OF ANY PRODUCT WITHOUT WRITTEN PERMISSION OF DIGITAL EQUIPMENT CORPORATION.

NOTES:
 1. INT TOOTH LOCK WASHERS (ITEM 23) ARE USED OVER AND UNDER GROUND TERMINALS.
 2. ORIENT TERMINALS AS SHOWN.



CAUTION: OFF SHEET PARTS LIST EXISTS.
 SEE K-PL-7012130-0-DBP (Z0849)

REV.	DATE	BY	CHK'D	DESCRIPTION
1				
2				
3				
4				
5				
6				
7				
8				

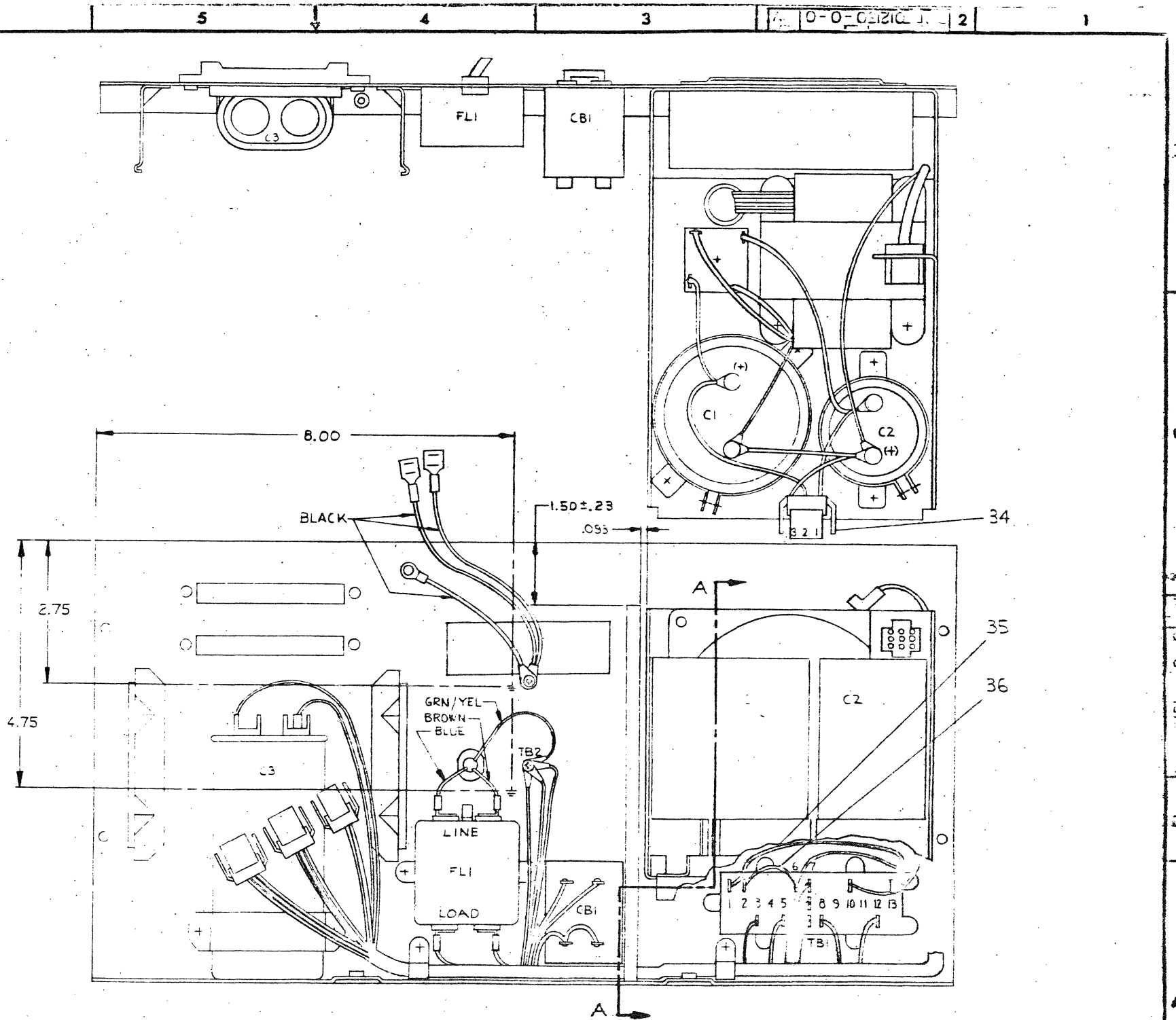
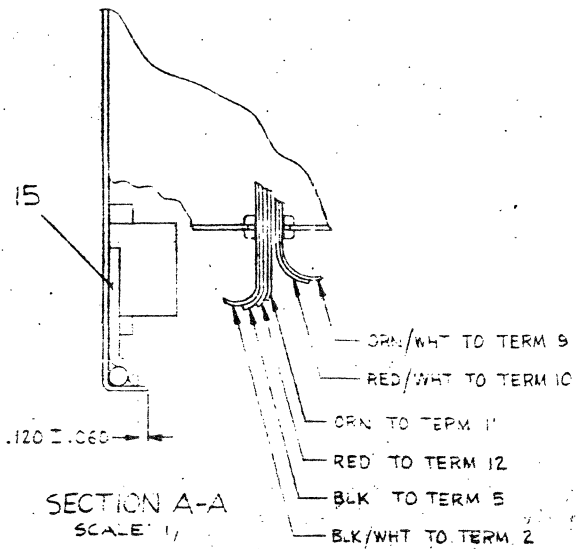
DESCRIPTION		DWG/PART NO.	ITEM NO.
UNLESS OTHERWISE SPECIFIED DIMENSIONS ARE IN INCHES			
ANGLES 30°/30°	CLASS OF ACCURACY	NOMINAL DIMENSION RANGE INCHES	
SURFACE QUALITY IN	CHECK ONE	OVER 0 TO 0.2	OVER 4.0 TO 12.0
		OVER 1.2 TO 4.0	OVER 12.0 TO 40.0
QUANTITY & VARIATION	MEDIUM	±.004	±.008
	PREFERRED	±.012	±.016
		±.025	±.04
		±.063	±.1
THIRD ANGLE PROJECTION	DRN.	FIRST USED ON	digital
REMOVE BURRS AND BREAK SHARP CORNERS	CHK'D	TITLE	
DO NOT SCALE DWG	ENG.	POWER PANEL ASSY	
MATERIAL SEE PARTS LIST	PROD BY	SIZE	NUMBER
FINISH	NEXT HIGHER ASSY.	D	AD7012130-0-0
	SCALE	SHEET	REV.
		OF 3	

D-AD-7012130-0-0 SHT 1

THIS DRAWING AND SPECIFICATIONS HEREIN ARE THE PROPERTY OF DIGITAL EQUIPMENT CORPORATION AND SHALL NOT BE REPRODUCED OR TRANSMITTED IN ANY FORM OR BY ANY MEANS, ELECTRONIC OR MECHANICAL, INCLUDING PHOTOCOPYING, RECORDING, OR BY ANY INFORMATION STORAGE AND RETRIEVAL SYSTEM. DIGITAL EQUIPMENT CORPORATION © 1978

NOTES:

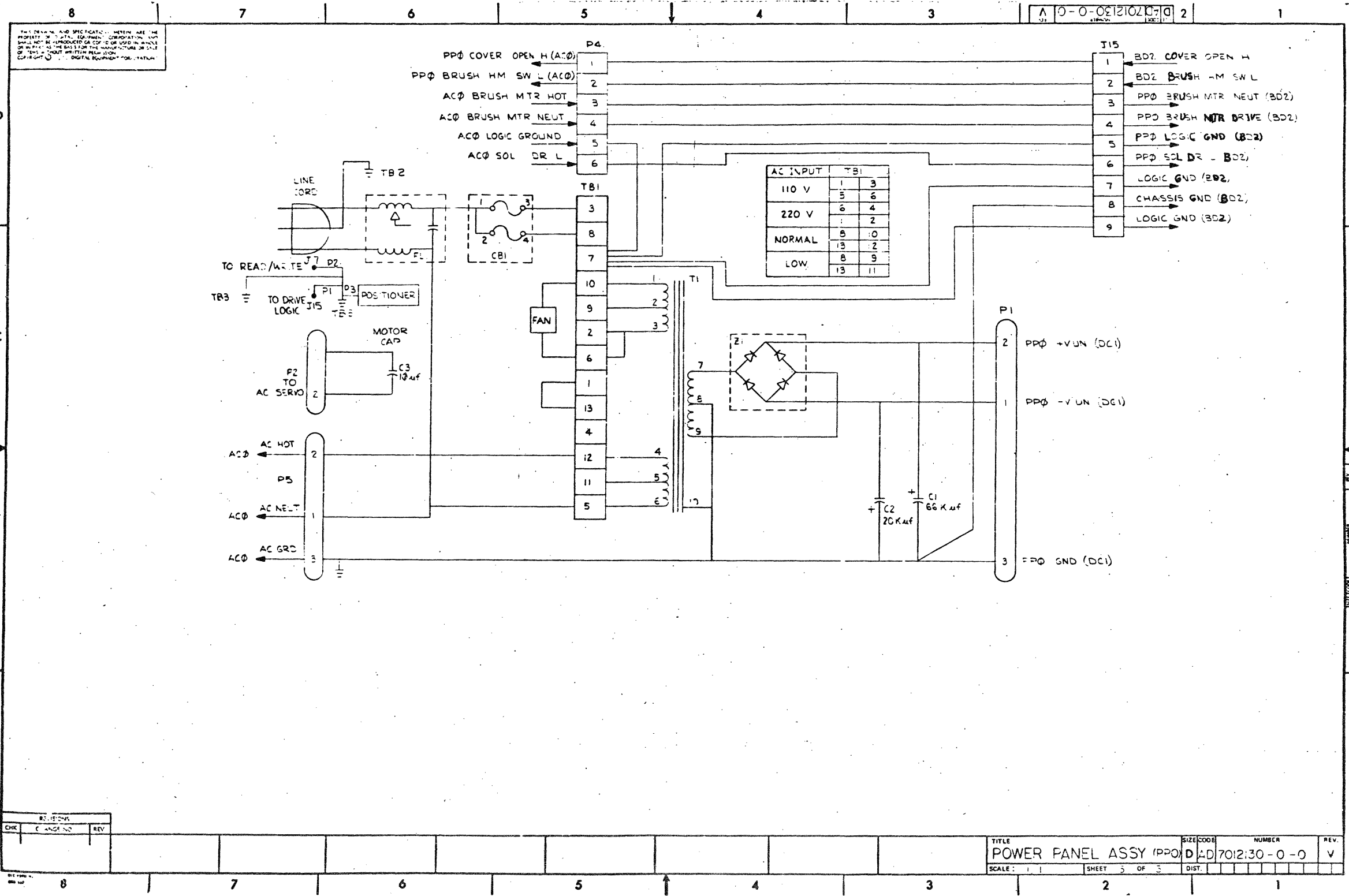
1. INPUT VOLTAGE 50 OR 60 HZ
90-110, 105-128 VAC
180-220, 210-256 VAC
2. OUTPUT VOLTAGE ± 11.5 VDC MIN AT MIN POINT OF THE RIPPLE, 18 VDC MAX AT HIGH LINE (MAX OF 25 VDC AT HIGH LINE NO LOAD).
3. OUTPUT CURRENT: POSITIVE OUTPUT
2.5 AMP CONTINUOUS
3.5 AMP PULSE *25 MS*
NEGATIVE OUTPUT
2.5 AMP CONTINUOUS
3.5 AMP PULSE *25 MS*
PULSE CURRENT ON ALTERNATE OUTPUT AT A 65 MS OUT CYCLE.
4. OUTPUT RIPPLE AT 110 VOLTS
A. NO LOAD 100 MV P/P
B. +2.5 A 600 MV P/P
-2.5 A 300 MV P/P
C. +2.5 A 600 MV P/P
-3.75 A 1.5 V DURING PULSE
RIPPLE AT 90 V RMS
+2.5 A 500 MV
-3.75 A 2 V
+6 A 900 MV
-2.5 A 400 MV
5. HIGH POT TEST PER UL 478
CONNECT BOTH AC LEADS TO THE POSITIVE TERMINAL OF THE SUPPLY AND GRN WIRE GROUND TO THE NEGATIVE TERMINAL OF THE SUPPLY. CLOSE CIRCUIT BREAKER AND INCREASE VOLTAGE TO 1750 VDC, ANY CURRENT INDICATES FAILURE.



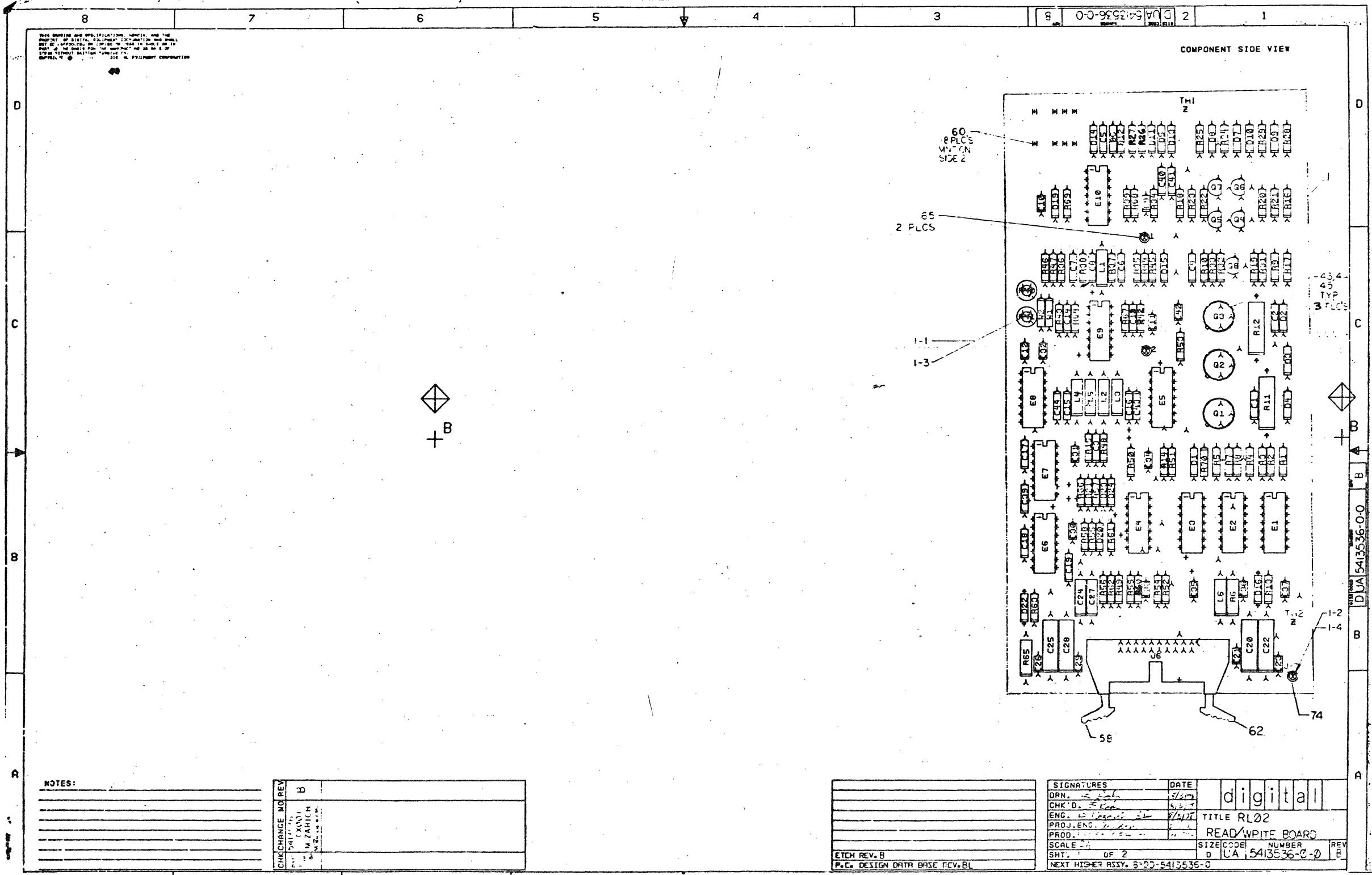
DAD7012130-0-0 SHT 2

REVISIONS		
CHK	CHANGE NO.	REV.

TITLE POWER PANEL ASSY		CLASS	REV.
SCALE: 1/1		DAD7012130-0-0	V
SHEET 2 OF 3			



D-AD-7012:30-0-0
 SHT 3



THIS DRAWING AND SPECIFICATION describe the design and construction of the equipment and the manner in which it is to be assembled. It is the responsibility of the contractor to provide the necessary materials and components to meet the requirements of this drawing and specification. The contractor shall be responsible for the procurement of all materials and components, and for the assembly and testing of the equipment. The contractor shall be responsible for the maintenance and repair of the equipment.

NOTES:

CHANGE NO	REV
1	B
DESIGNED BY: M. ZARICH CHECKED BY: M. ZARICH DATE: 11/11/71	

ETCH REV. B
NEXT HIGHER ASSY. 5-00-5413536-0

SIGNATURES	DATE	digital
DRN. _____	11/11/71	
CHK'D. _____	11/11/71	TITLE RL02
ENG. _____	11/11/71	READ/WRITE BOARD
PROD. ENG. _____	11/11/71	SIZE CODE NUMBER
SCALE _____	OF 2	DUA 5413536-0-0
SHT. _____		REV B
NEXT HIGHER ASSY. 5-00-5413536-0		

DUA 5413536-0-0

AUTOMATED BY PRTLST.2E(3)

PARTS LIST

SHEET A1 OF A2

LINE	ITEM	DOCUMENT NUMBER	PART NUMBER	DESCRIPTION	QTY PER VARIATION	REFERENCE DESIGNATOR
1	1	D-MD-5013535-0-0	5013535-00	ETCHED CIRCUIT 9D	1	
2	2		1001610-00	.01 MFD 50V +80-20% Z5U CER	17	C9-C12, C21, C23, C26, C29-C37, C42
3	3		1005306-00	6.8MFD 35V 10% S. TANT	4	C20, C22, C25, C28
4	4		1013466-14	82.0 MMF 50V 5% CER	2	C16, C43
5	5		1013466-06	100.0 MMF 50V 5% CER	1	C8
6	6		1013466-05	56.0 MMF 50V 5% CER	1	C5
7	7		1013466-07	220.0 MMF 50V 5% CER	5	C1, C2, C4, C17, C39
8	8		1013466-09	1000.0 MMF 50V 10% X7R CER	1	C18
9	9		1013466-11	.22 MFD 50V +80-20% Z5U CER	2	C24, C27
10	10		1013466-15	1200.0 MMF 50V 10% CER	3	C19, C40, C41
11	11		1109943-00	1N 4733A VZ= 5.1 5% 1W Y	2	D16, D22
12	12		1113953-00	1N 5523D VZ= 5.1 1%	1	D1
13	13		1100122-00	1N 748A VZ= 3.9 5%	1	D19
14	14		1111577-00	1N 4454 TR= 4NS PIV= 50 S	11	D5-D10, D15, D20, D21, D23, D24
15	15		1300250-00	150.0 .25 W 5.0 % CC	1	R5
16	16		1300229-00	100.0 .25 W 5.0 % CC	5	R39, R52, R54, R59, R69
17	17		1300232-00	100.0 1.0 W 5.0 % CC	2	R11, R12
18	18		1300247-00	120.0 .25 W 5.0 % CC	1	R56
19	19		1300365-00	1.0 K .25 W 5.0 % CC	8	R13, R14, R35, R36, R48, R49, R66, R70
20	20		1300444-00	3.90 K .25 W 5.0 % CC	1	R46
21	21		1300447-00	4.70 K .25 W 5.0 % CC	3	R9, R10, R32
22	22		1301775-00	820.0 .25 W 5.0 % CC	1	R31
23	23		1301317-00	10.0 .25 W 5.0 % CC	1	R63
24	24		1302612-00	1.78 K .25 W 1.0 % RN55D-F10	2	R50, R51
25	25		1300195-00	33.0 .50 W 5.0 % CC	2	R6, R65
26	26		1304725-00	300.0 .25 W 1.0 % RN55D-F10	1	R62
27	27		1312930-00	5.10 K .25 W 5.0 % CC	2	R55, R58
28	28		1301424-00	680.0 .25 W 5.0 % CC	4	R16, R18, R21, R23
29	29		1302391-00	20.0 K .25 W 5.0 % CC	1	R60
30	30		1300426-00	2.70 K .25 W 5.0 % CC	1	R33

REVISION HISTORY		BASIC PART NO: 5413535		DRN: JERRY BEST	DATE: 14-AUG-78	DIGITAL	
ENG:	ECO NUMBER	REV	SECTION A OF A	CHK'D: L. ROOHR	DATE: 14-AUG-79	PARTS LIST	
	INIT	A	SECTION VARIATION INDEX			READ/WRITE BOARD	
	NZ 5413536-CX001	B	(A) 00			DOCUMENT NUMBER	
			(B)			SIZE: CODE: NUMBER	
			(C)			REV	
			(D)			K PL 5413536-0-DBP B	
			(E)			ASSEMBLY NUMBER: TOP DOCUMENT NUMBER: FILE NAME: EDIT #	
			(F)			D-UA-5413536-0-0 B-DD-RL02-0 21091B.PLS 8	
			(G)				
			(H)				
			(I)				
			(J)				
			(K)				
			(L)				
			(M)				
			(N)				

"THIS DRAWING AND SPECIFICATIONS HEREIN, ARE THE PROPERTY OF DIGITAL EQUIPMENT CORPORATION AND SHALL NOT BE REPRODUCED OR COPIED OR USED IN WHOLE OR IN PART AS THE BASIS FOR THE MANUFACTURE OR SALE OF ITEMS WITHOUT WRITTEN PERMISSION. COPYRIGHT (C) 1981. DIGITAL EQUIPMENT CORPORATION"

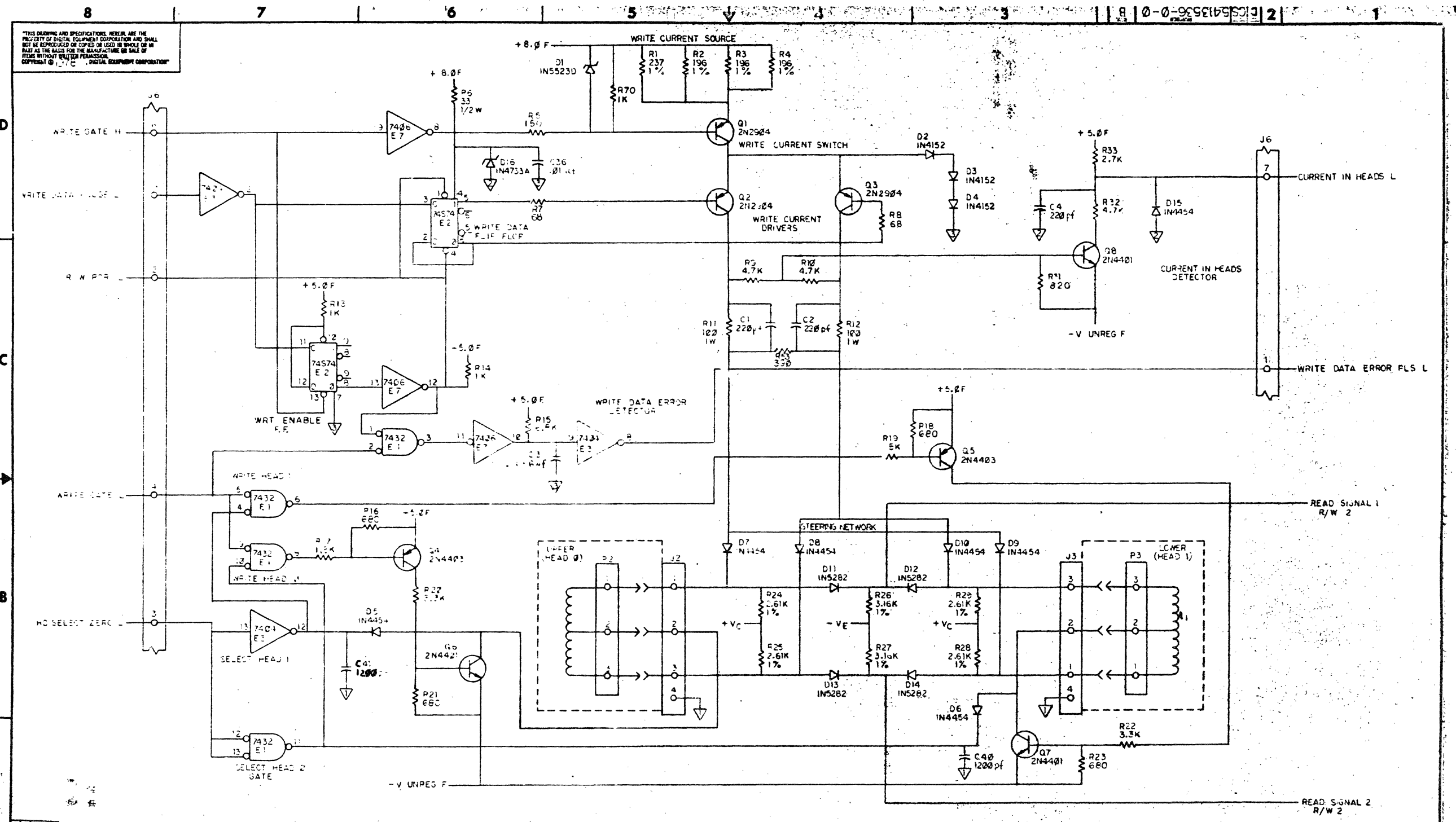
AUTOMATED BY PRTLST.2E(3)

PARTS LIST

SHEET A2 OF A2

LINE	ITEM	DOCUMENT NUMBER	PART NUMBER	DESCRIPTION	QTY PER VARIATION	REFERENCE DESIGNATOR
					00	
31	31		1302956-00	196.0 .25 W 1.0 % RN55D-F10	3	R2, R3, R4
32	32		1300439-00	3.30 K .25 W 5.0 % CC	2	R20, R22
33	33		1305143-00	825.0 .25 W 1.0 % RN55D-F10	2	R44, R45
34	34		1303303-00	2.61 K .25 W 1.0 % RN55D-F10	4	R24, R25, R28, R29
35	35		1302645-00	1.10 K .25 W 1.0 % RN55D-F10	1	R61
36	36		1301477-00	82.0 .25 W 5.0 % CC	1	R68
37	37		1301322-00	180.0 .25 W 5.0 % CC	2	R37, R38
38	38		1313469-00	240.0 .25 W 5.0 % CC	1	R34
39	39		1303045-00	3.16 K .25 W 1.0 % RN55D-F10	2	R26, R27
40	40		1501913-00	2N 2904A PNP 600MA SI 50 40 Y	3	Q1-Q3
41	41		1513489-00	2N 4401 NPN 350MA SI 40 20	3	Q6-Q8
42	42		1513490-00	2N 4403 PNP 350MA SI 40 30	2	Q4, Q5
43	43		1210001-00	HEAT SINK BLACK	3	
44	44		9007201-00	TRANSIPADS #10253	3	
45	45		9008268-00	COMPOUND, THERMAL JOINT	A/R	
46	46		1611257-01	CHOKE(CERAMIC BEAD)AXIAL LEAD, ON	1	L6
47	47		1613898-01	33.0 UH INDUCTOR	4	L2-L5
48	48		1613898-02	39.0 UH INDUCTOR	1	L1
49	49		1910268-00	DEC 75107B RECEIVER, LINE, DUAL	1	E8
50	50		1909686-00	7404 INVERTER GATE-HEX II	1	E3
51	51		1910544-00	74574 FF-D DUAL EDGE TRIGG	1	E2
52	52		1910644-00	733 DIFFERENTIAL AMP WID	2	E9, E10
53	53		1910741-00	7406 INVERTER GATE-HEX II	1	E7
54	54		1911521-00	7432 OR GATE-QUAD 2IN, PO	1	E1
55	55		1910268-01	DEC 75107B-01 RECEIVER, LINE, DUA	2	E5, E4
56	56		1910725-00	75108B RECEIVER, LINE, DUAL,	1	E6
57	57		1209941-06	HEADER, 100 20POS RT ANGLE	1	J6
58	58		1209941-03	HEADER RT ANGLE LEFT L	1	
59	59		1209941-04	HEADER RT ANGLE, RIGHT	1	
60	60		1210385-01	PIN 1POS WIRE WRAP	8	TP1, TP2
61	61		9007791-00	TERM PCB 2POS SOLDER, TURRET	2	R42, R43
62	62		1303067-00	422.0 .25 W 1.0 % RN55D-F10	2	R7, R8, R47, R57
63	63		1300219-00	68.0 .25 W 5.0 % CC	4	R15, R64, R67
64	64		1301423-00	6.80 K .25 W 5.0 % CC	3	R17, R19
65	65		1300391-00	1.50 K .25 W 5.0 % CC	3	D2-D4
66	66		1114117-00	1N 4152 PIV=40 I=75	4	D11-D14
67	67		1113003-00	1N 5282 PIV=55 I=500M D035	4	C3, C6, C7, C13, C14
68	68		1015573-01	5600.0 MMF 50V 5% CER	5	R1
69	69		1304857-00	237.0 .25 W 1.0 % RN55D-F10	1	R53
70	70		1300309-00	390.0 .25 W 5.0 % CC	1	C15, C44
71	71		1013465-17	150.0 MMF 50V 5% CER	2	R40, R41
72	72		1309150-07	2.0 K 50 W10.0 % POT	2	W1, W2
73	73		9009185-00	JUMPER, WIRE INSULATED, BLACK B	2	J7
74	74		1217377-00	TERM QUICK 1POS TAB PC MNT	1	

D	I	G	I	T	A	L	TITLE	READ/WRITE BOARD	SECTION A OF A	SIZE	CODE	DOCUMENT NUMBER	REV
										K	PL	5413536-0-DBP	B



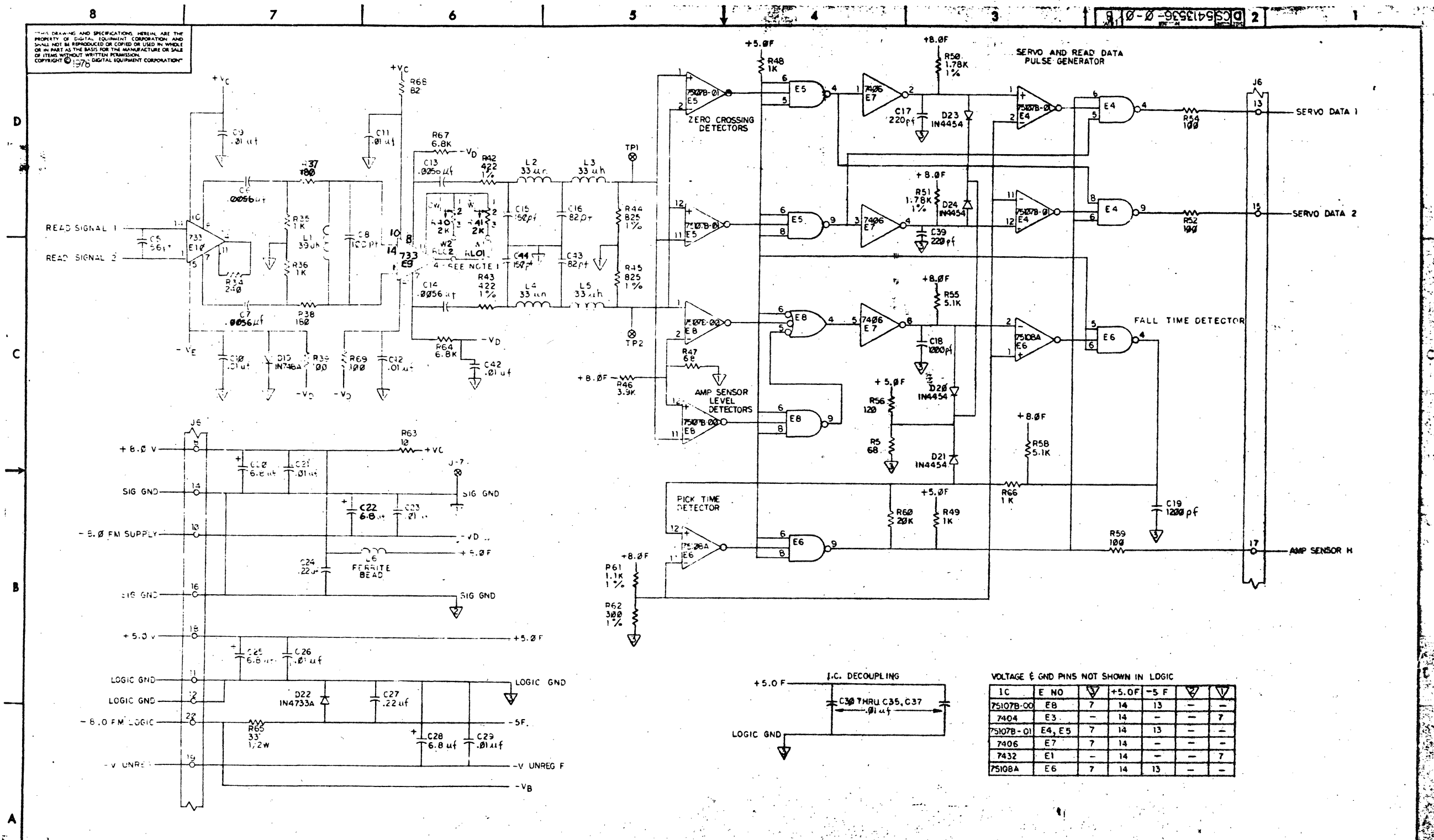
THIS DRAWING AND SPECIFICATIONS, HEREIN, ARE THE PROPERTY OF DIGITAL EQUIPMENT CORPORATION AND SHALL NOT BE REPRODUCED OR COPIED OR USED IN WHOLE OR IN PART AS THE BASIS FOR THE MANUFACTURE OR SALE OF ITEMS WITHOUT WRITTEN PERMISSION. COPYRIGHT © 1970 DIGITAL EQUIPMENT CORPORATION

NOTE:
 1. FOR RLO1 CUT W2 AND LEAVE IN W1.
 FOR RLO2 CUT W1 AND LEAVE IN W2.

REV.	B
CHG.	5413536-C0001
DESIGNED BY	M. ZARICH
CHECKED BY	M. ZARICH
DATE	5/15/70

DRN.	B. Nichols	4/1/70	REV. USED ON	RLO2
CHKD.	P. R. R.	5/15/70	TITLE	READ/WRITE BOARD
ENGR.	P. R. R.	5/15/70	SCALE	D
PRD.			SIZE	CS
NEXT HIGHER ASSY.			CODE	5413536-0-1
			NUMBER	B
SHEET	1 OF 2			

THIS DRAWING AND SPECIFICATIONS HEREIN ARE THE PROPERTY OF DIGITAL EQUIPMENT CORPORATION AND SHALL NOT BE REPRODUCED OR COPIED OR USED IN WHOLE OR IN PART AS THE BASIS FOR THE MANUFACTURE OR SALE OF ITEMS WITHOUT WRITTEN PERMISSION. COPYRIGHT © 1970 DIGITAL EQUIPMENT CORPORATION.



VOLTAGE E GND PINS NOT SHOWN IN LOGIC

IC	E NO	+5.0V	-5.0V		
75107B-00	E8	7	14	13	-
7404	E3	-	14	-	7
75107B-01	E4, E5	7	14	13	-
7406	E7	7	14	-	-
7432	E1	-	14	-	7
75108A	E6	7	14	13	-

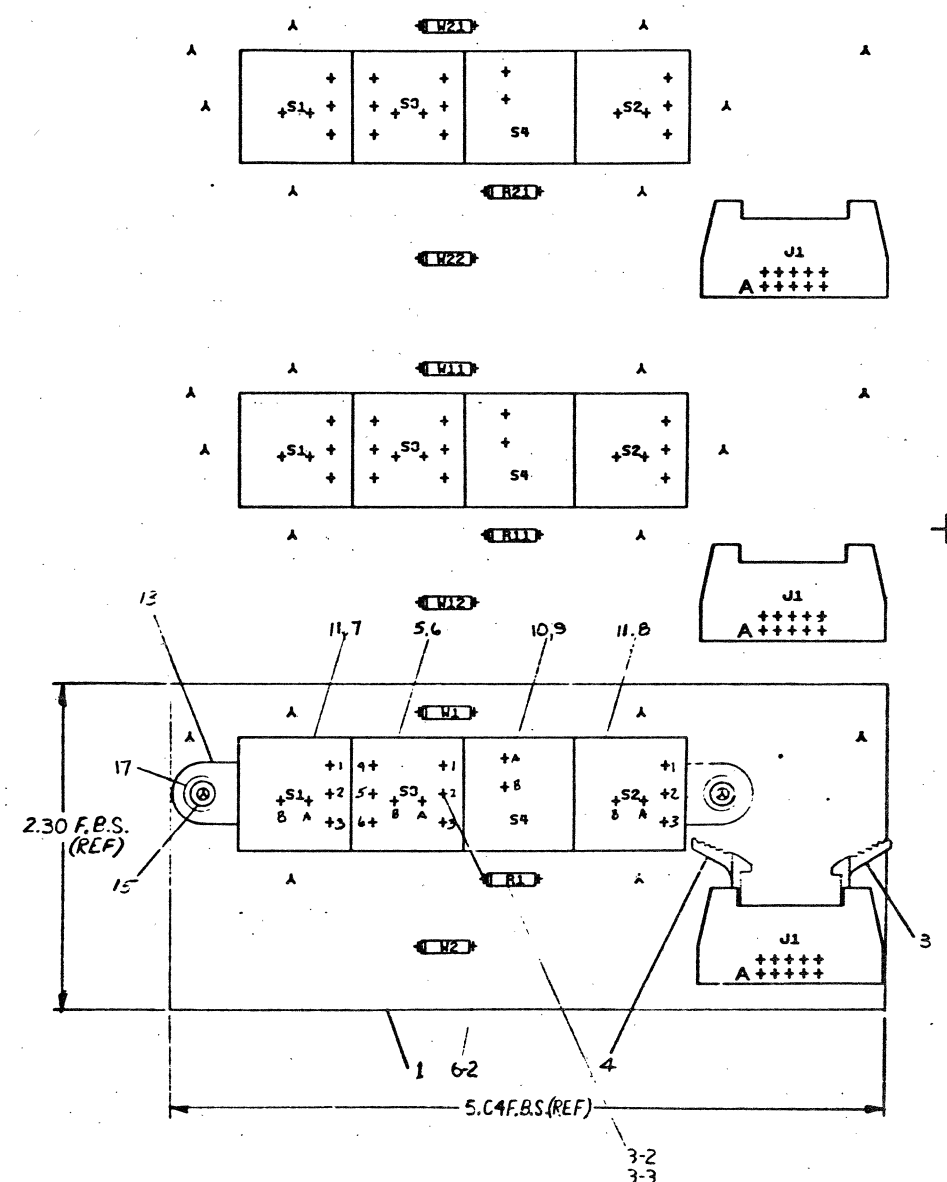
REVISIONS

CHK	CHANGE NO.	REV.

TITLE: READ/WRITE BOARD
 NUMBER: DCS 5413536-0-1
 SHEET 2 OF 2

THIS DRAWING AND SPECIFICATIONS, HEREIN, ARE THE PROPERTY OF DIGITAL EQUIPMENT CORP. IT IS TO BE USED ONLY FOR THE PURPOSES AND ON THE PROJECT TO WHICH IT IS APPLIED. IT IS NOT TO BE REPRODUCED OR COPIED IN ANY MANNER OR FOR ANY OTHER PROJECT WITHOUT THE WRITTEN PERMISSION OF DIGITAL EQUIPMENT CORPORATION.

COMPONENT SIDE VIEW



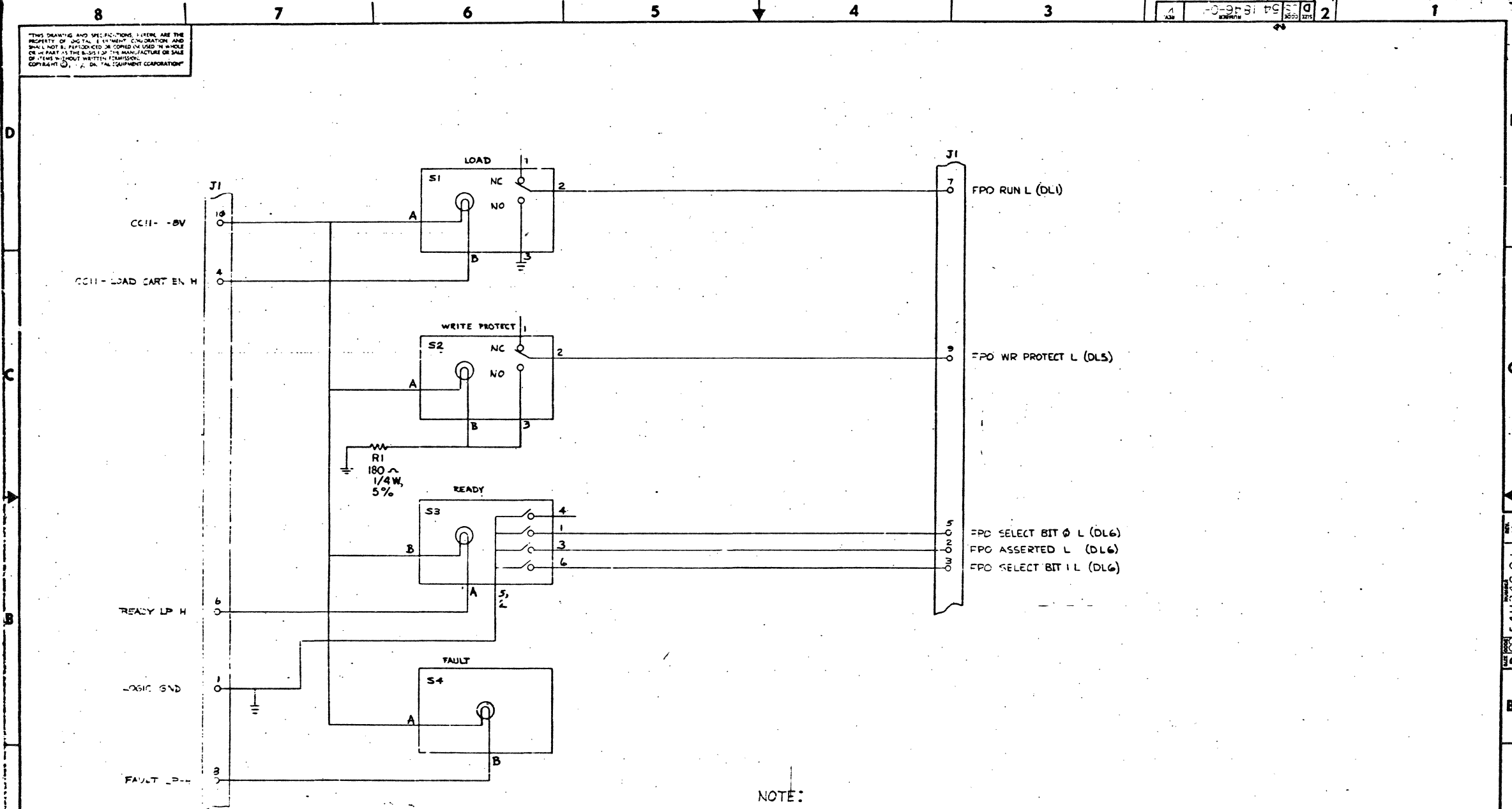
NOTES:
 ALL MANUFACTURING INFORMATION DATA CODE
 CIRCUIT SCHEDULE REV. QUALITY CONTROL SCHEMS
 ETC. ARE TO BE STAMPED ON BOTH SIDE (SIDE 2) OF
 MODULE.

CHANGE NO	REV	DATE	BY	CHK'D
1	H			
2	J			

SIGNATURES		DATE	TITLE
DRN. [Signature]		3/77	digital
CHK'D. [Signature]			
ENG. [Signature]			
PROJ. ENG. [Signature]			
PROD. [Signature]			
SCALE 1/1			
SHIT. OF 2			
NEXT HIGHER ASSY. 8-00-5411846-0			

THIS DRAWING AND SPECIFICATIONS HEREIN ARE THE PROPERTY OF DIGITAL EQUIPMENT CORPORATION AND SHALL NOT BE REPRODUCED OR FORMED IN WHOLE OR IN PART AS THE BASIS FOR THE MANUFACTURE OR SALE OF ITEMS WITHOUT WRITTEN PERMISSION. COPYRIGHT © 1970 BY DIGITAL EQUIPMENT CORPORATION

4 133 10-9781 001 2



NOTE:
L ALL LAMPS ARE 6E-73 TYPE

REV.	DATE	BY	CHK'D	APP'D
1	10-10-70	M. ZARICH		
2	10-10-70	M. ZARICH		
3	10-10-70	M. ZARICH		
4	10-10-70	M. ZARICH		
5	10-10-70	M. ZARICH		
6	10-10-70	M. ZARICH		
7	10-10-70	M. ZARICH		
8	10-10-70	M. ZARICH		

URN	10-9781-001	FIRST USED ON	digital
CHK'D	10-10-70	TITLE	FRONT PANEL
ENG.	10-10-70	SIZE	D
PROJ. ENG.	10-10-70	NUMBER	5411846-0-1
PROD.	10-10-70	REV.	1
NEXT HIGHER ASSY.		SCALE	
SHEET	OF	DIST.	

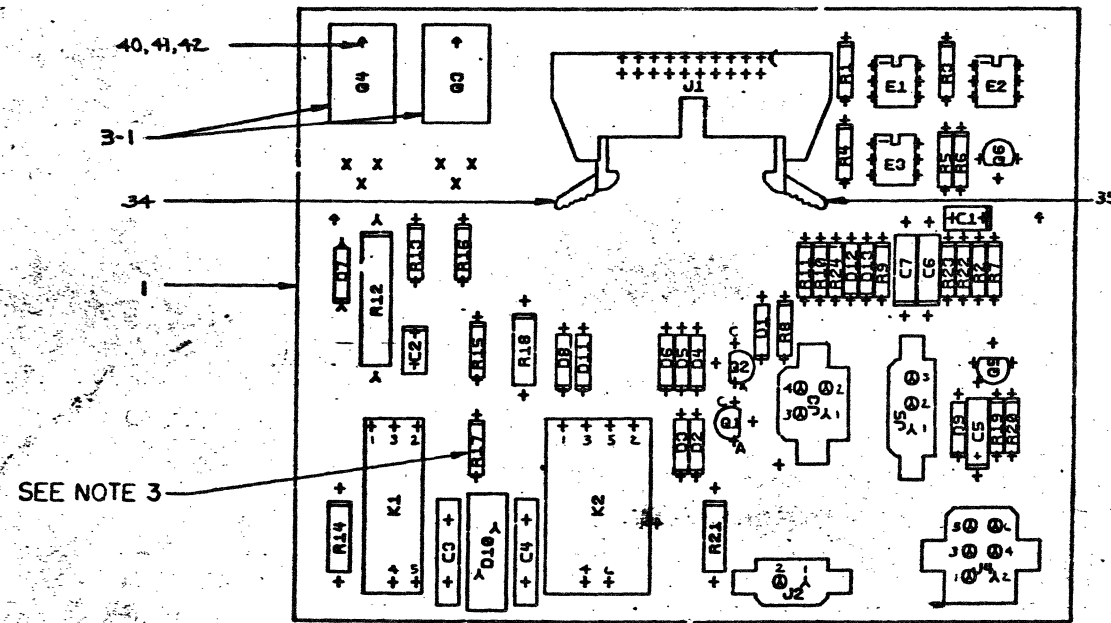
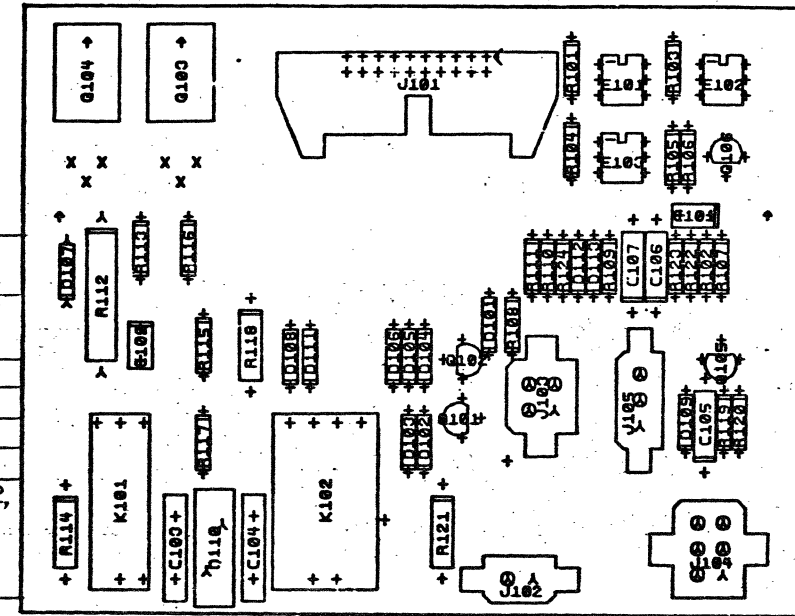
5411846-0-1

D-65-5411846-0-1

THIS DRAWING AND SPECIFICATIONS, HEREIN, ARE THE PROPERTY OF DIGITAL EQUIPMENT CORPORATION AND WILL BE SUPPLIED TO YOU ON THE BASIS OF YOUR AGREEMENT TO ACCEPT THE TERMS AND CONDITIONS OF THE SALES CONTRACT OR PURCHASE ORDER. THESE TERMS WILL BE APPLIED TO ANY REVISIONS TO THIS DRAWING.

COMPONENT SIDE VIEW

ACTUAL REF DESIGNATOR	SUPERFICIAL REF DESIGNATORS
C1,C2,C3,C4,C5,C6,C7	C101,C102,C103,C104,C105,C106,C107
D1,D2,D3,D4,D5,D6,D7,D8,D9,D10 D11,D12,D13	D101,D102,D103,D104,D105,D106,D107,D108,D109,D110,D111,D112, D113
E1,E2,E3	E101,E102,E103
K1,K2,K3	K101,K102,K103
J1,J2,J3,J4,J5	J101,J102,J103,J104,J105
Q1,Q2,Q3,Q4,Q5,Q6	Q101,Q102,Q103,Q104,Q105,Q106
R1,R2,R3,R4,R5,R6,R7,R8,R9,R10 R11,R12,R13,R14,R15,R16,R17,R18,R19, R20,R21,R22	R101,R102,R103,R104,R105,R106,R107,R108,R109,R110,R111,R112, R113,R114,R115,R116,R117,R118,R119,R120,R121,R122



NOTES:

- 8 HOLES @ 0.145 (1.000-0.005) MINIMUM ONLY
- 1/1 APPROVAL REQUIRED
- REWORK INSTRUCTIONS
 - REMOVE R17 (330R 1/4W 5%)
 - INSTALL R17 (330R 1/2W 5%)

CHANGE NO	REV	DATE	BY	CHK'D	APP'D
1	1		P. FURNESS		
2	1		P. FURNESS		
3	1		P. FURNESS		
4	1		P. FURNESS		
5	1		P. FURNESS		
6	1		P. FURNESS		
7	1		P. FURNESS		
8	1		P. FURNESS		

ETCH REV.	E-2
P.C. DESIGN DATA BRSE REV.	

SIGNATURES	DATE	TITLE
DRN.		digital
CHK'D.		
ENG.		
PROJ. ENG.		
PROD.		
SCALE 2/1		
SHT. 1 OF 4		
NEXT HIGHER ASSY. B-DD-54118-00		

SIZE	CODE	NUMBER	REV
0	UA	54118-00-0	F

MS#2502-5

D-1A-54118-0-0 SHT 1

AUTOMATED BY PRTLST.3K(27)

PARTS LIST

SHEET A1 OF A2

LINE	ITEM	DOCUMENT NUMBER	PART NUMBER	DESCRIPTION	QTY	PER VARIATION	REFERENCE DESIGNATOR
1	1	D-MD-5011847-0-0	5011847-00	ETCH CRKT BRD	1		
2	2		1011683-00	.022 MFD 50V 10% CER	1		C1
3	3		1012312-01	.47 MFD 50V +80-20% CER	1		C2
4	4		1013682-00	.1 MFD 500V +80-20%Z5U DISC	2		C3,C4
5	5		1001776-00	1 MFD 35V 10% S.TANT	2		C5,C7
6	6		1110856-00	1N 9708 VZ= 24.0 5% .40W Y	1		D1
7	7		1111577-00	1N 4454 TR= 4NS PIV= 50 S	10		D2-D6, D8, D9, D11-D13
8	8		1105796-00	1N 4004 PIV=400 I= 1A D041 SP	1		D7
9	9		1513727-01	OPTO COUPLED ISOLATOR	3		E1-E3
10	10		1213917-00	RLY, REED 5V COIL, DPDT	1		K2
11	11		1213915-00	RLY, REED 5V COIL, SPDT	1		K1
12	12		1110997-00	VP 130A10 VOLT. SUPPRESS. 130VAC	1		D10
13	13		1209941-06	HEADER.100 20POS RT ANGLE	1		J1
14	14		1213922-0C	HEADER 2POS	1		J2
15	15		1213922-01	HEADER 3POS	1		J5
16	16		1213922-03	HEADER 4POS	1		J3
17	17		1213922-04	HEADER 6POS	1		J4
18	18		1300315-00	470.0 .50 W 5.0 % CC	2		R14, R21
19	19		1300271-00	220.0 .25 W 5.0 % CC	3		R1, R3, R4
20	20		1311220-00	5.10 .50 W 5.0 % CC	1		R18
21	21		1301327-00	58.0 K .25 W 5.0 % CC	1		R6
22	22		1302466-00	100.0 K .25 W 5.0 % CC	2		R5, R8
23	23		1300444-00	3.90 K .25 W 5.0 % CC	1		R20
24	24		1314516-00	200.0 K .25 W 5.0 % CC	2		R7, R23
25	25		1300496-00	15.0 K .25 W 5.0 % CC	1		R10
26	26		1300479-00	10.0 K .25 W 5.0 % CC	2		R11, R24
27	27		1300482-00	10.0 K 2.0 W10.0 % CC	1		R12
28	28		1312927-00	16.0 .25 W 5.0 % CC	2		R15, R16
29	29		1314649-00	430.0 K .25 W 5.0 % CC	1		R22
30	30		1300296-00	330.0 .50 W 5.0 % CC	1		R17

REVISION HISTORY		BASIC PART NO: 5411848		DRN: H. RICHER		DATE: 23 MAR 76		D I G I T A L	
ENG:	ECO NUMBER	REV	SECTION A OF A	CHK'D:	P. BURNELL	DATE:	10 JAN 77	TITLE PARTS LIST	
	INITIAL	E	SECTION VARIATION INDEX					AC SERVO	
MZ	5411848-CZ003	F	(A) 00						
			(B)	DES.ENG:	P. BADUM	DATE:	7 JUN 77	DOCUMENT NUMBER	
			(C)						
			(D)	RESP.ENG.:	P. BADUM	DATE:	7 JUN 77	SIZE:	NUMBER
			(E)					CODE:	REV
			(F)						
			(H)	MFG.ENG.:	D. LESAGE	DATE:	7 JUN 77	K	PL
			(J)						5411848-0-DBP
			(K)	ASSEMBLY NUMBER:		TOP DOCUMENT NUMBER:		FILE NAME:	EDIT #
			(L)	D-UA-5411848-0-0				Z0491F.PLS	3
			(M)						
			(N)						

"THIS DRAWING AND SPECIFICATIONS HEREIN ARE THE PROPERTY OF DIGITAL EQUIPMENT CORPORATION AND SHALL NOT BE REPRODUCED OR COPIED OR USED IN WHOLE OR IN PART AS THE BASIS FOR THE MANUFACTURE OR SALE OF ITEMS WITHOUT WRITTEN PERMISSION. COPYRIGHT (C) 1981. DIGITAL EQUIPMENT CORPORATION"

AUTOMATED BY PRTLST.3K(27)

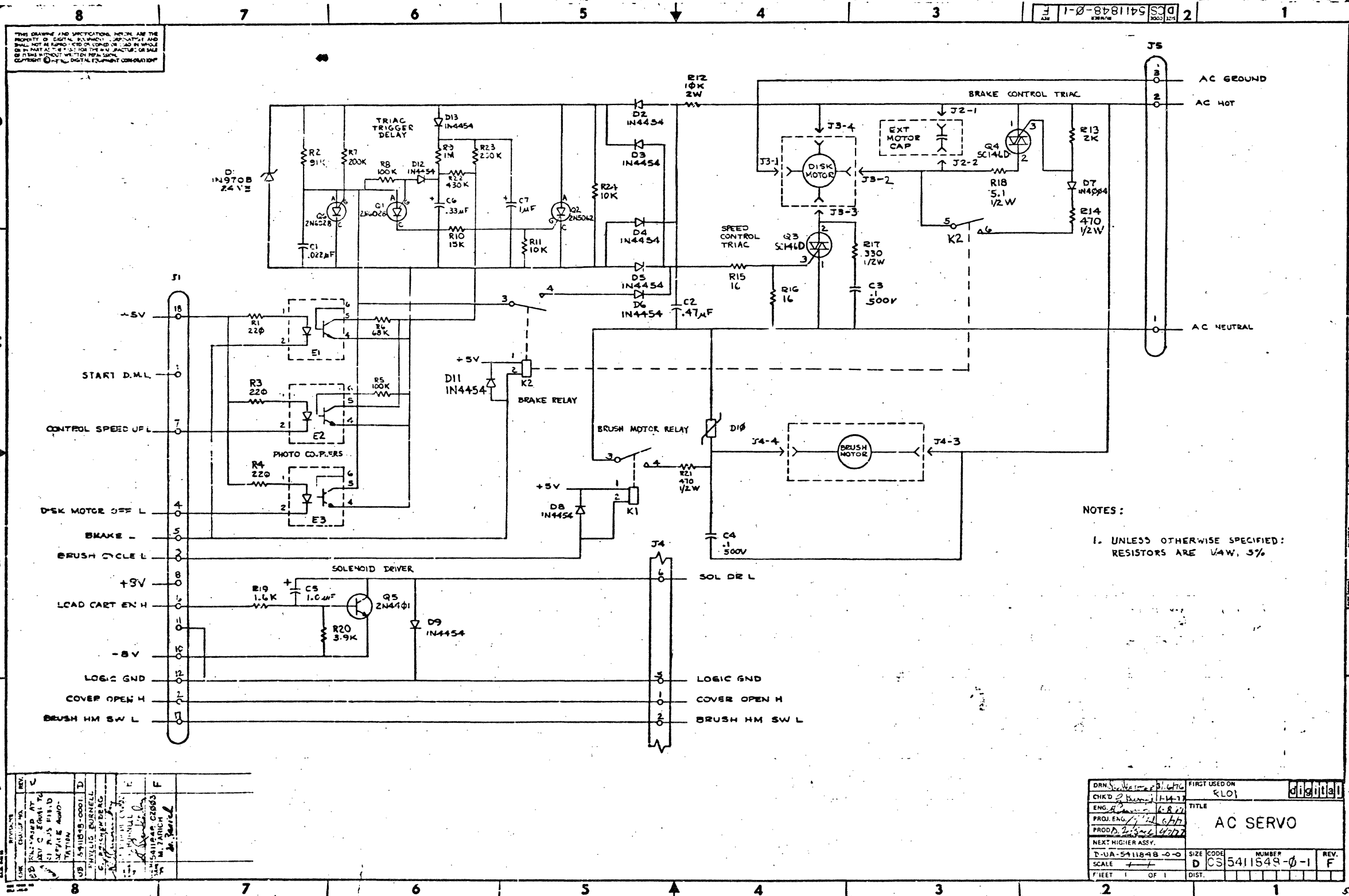
PARTS LIST

SHEET A2 OF A2

LINE	ITEM	DOCUMENT NUMBER	PART NUMBER	DESCRIPTION	QTY	PER VARIATION	REFERENCE DESIGNATOR
					00		
31	31		1302388-00	2.0 K .25 W 5.0 % CC	1		R13
32	32		1309595-00	1.0 M .25 W 5.0 % CC	1		R9
33	33		1303176-00	1.60 K .25 W 5.0 % CC	1		R19
34	34		1209941-03	HEADER RT ANGLE LEFT L	1		J1
35	35		1209941-04	HEADER RT ANGLE RIGHT	1		J1
36	36		1510877-00	2N 6028 UJT 300MW R67B	2		Q1, Q6
37	37		1110968-00	2N 5062 SCR 100V I=.8A T092	1		Q2, Q4
38	38		1510070-00	TRIAC 400V I=8A	2		Q3, Q4
39	39		1515489-00	2N 4401 NPN 350MW SI 40 20	1		Q5
40	40		9006557-00	NUT KEP 4-40X 1/4 AF	2		Q3, Q4
41	41		9006010-01	SCREW PAN PHIL 4-40X 5/16 SS	2		Q3, Q4
42	42		9006655-00	WASHER FLAT .312 O.D. X .125 I	2		Q3, Q4
43	43			*** THIS ITEM IS NOT USED ***			
44	44		1000002-04	.33 MFD 35V 10% 5. TANT	1		C6
45	45		1314650-00	91.0 K .25 W 5.0 % CC	1		R2

D	I	G	I	T	A	L	TITLE	AC SERVO	SECTION A OF A	SIZE	CODE	DOCUMENT NUMBER	REV
										K	PL	5411848-0-DBP	F

THIS DRAWING AND SPECIFICATIONS HEREON ARE THE PROPERTY OF DIGITAL EQUIPMENT CORPORATION, AND SHALL NOT BE REPRODUCED OR TRANSMITTED IN ANY FORM OR BY ANY MEANS, ELECTRONIC OR MECHANICAL, INCLUDING PHOTOCOPYING, RECORDING, OR BY ANY INFORMATION STORAGE AND RETRIEVAL SYSTEM, WITHOUT PERMISSION IN WRITING FROM DIGITAL EQUIPMENT CORPORATION.

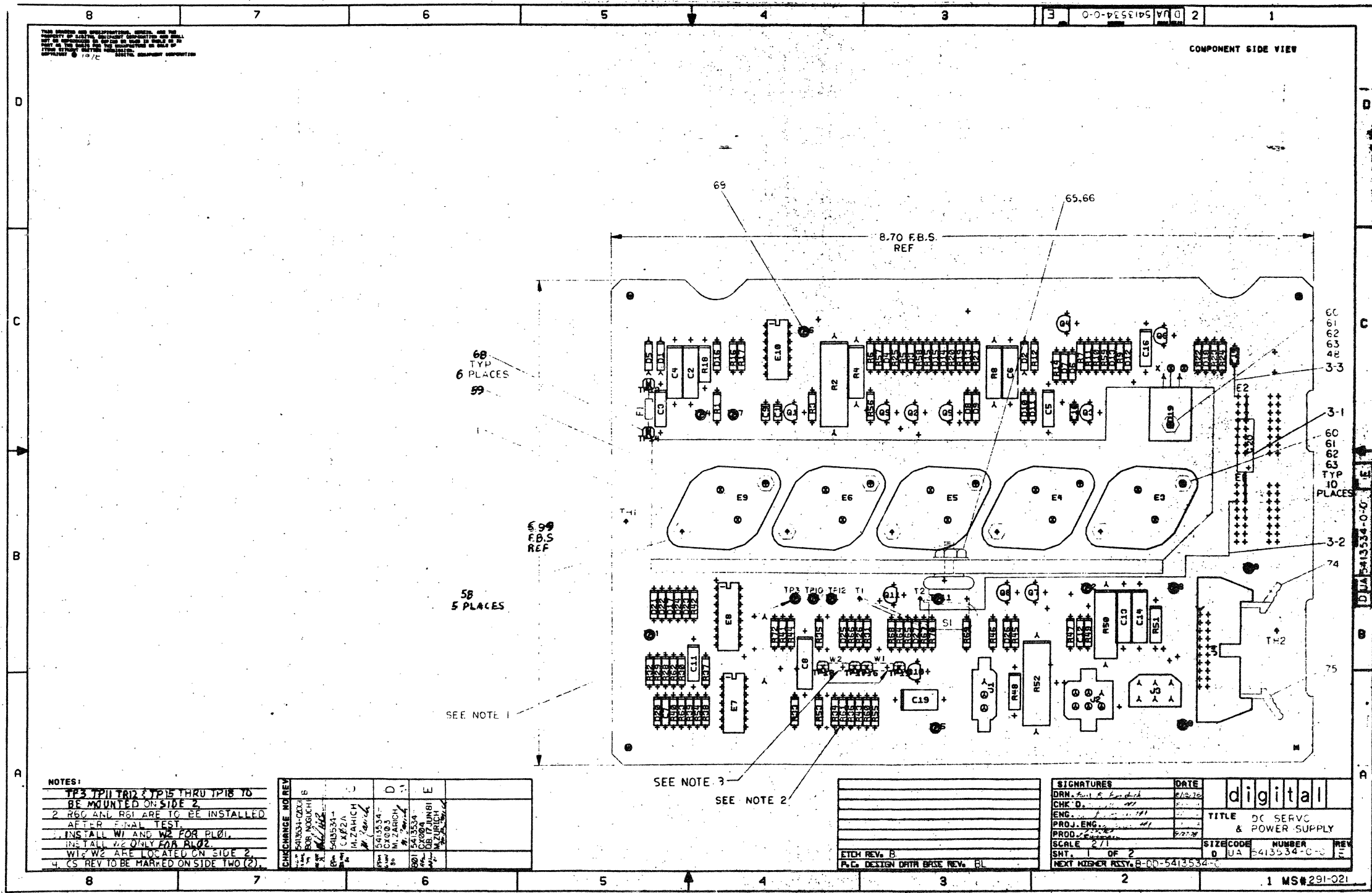


NOTES:
1. UNLESS OTHERWISE SPECIFIED:
RESISTORS ARE 1/4W, 5%

REV	DATE	BY	CHKD	APP'D
1				
2				
3				
4				
5				
6				
7				
8				

DRN	SCALE	FIRST USED ON	REV.
CHKD	1 OF 1	K101	digital
ENG			
PROJ. ENG.			
PROD. ENG.			
NEXT HIGHER ASSY.			
D-5411848-0-0	SIZE	NUMBER	REV.
SCALE	D	CS 5411848-0-1	F
FEET	OF	DIST.	

D-CS-5411848-0-1



NOTES:
 TP3 TP11 TP12 & TP15 THRU TP18 TO BE MOUNTED ON SIDE 2.
 2 R90 AND R91 ARE TO BE INSTALLED AFTER FINAL TEST.
 1. INSTALL W1 AND W2 FOR PL01.
 2. INSTALL W2 ONLY FOR PL02.
 W1 & W2 ARE LOCATED ON SIDE 2.
 4. CS REV TO BE MARKED ON SIDE TWO (2).

CHANGE NO	REV	DATE	BY	CHK'D
5413534-001	1	1/27/70	M. ZAHICH	
5413534-002	2	2/27/70	M. ZAHICH	
5413534-003	3	3/27/70	M. ZAHICH	
5413534-004	4	4/27/70	M. ZAHICH	
5413534-005	5	5/27/70	M. ZAHICH	
5413534-006	6	6/27/70	M. ZAHICH	
5413534-007	7	7/27/70	M. ZAHICH	
5413534-008	8	8/27/70	M. ZAHICH	

SIGNATURES		DATE	digital
DRN. Paul R. ...	CHK'D. ...	6/27/70	
TITLE DC SERVC & POWER SUPPLY			
SCALE 2/1		SMT. 1 OF 2	SIZE CODE NUMBER REV
ETCH REV. B		PLC DESIGN DATA BRD REV. BL	0 UA 5413534-0-0
NEXT WORKING ASSY. A-00-5413534-0			1 MS# 291-021

D-VA-5413534-0-0 1 OF 2 RL#12

AUTOMATED BY: PRTLST.2E(2)

PARTS LIST

SHEET P1 OF A3

LINE	ITEM	DOCUMENT NUMBER	PART NUMBER	DESCRIPTION	QTY	PER VARIATION	REFERENCE DESIGNATOR
1	1	D-MD-5013533-0-0	5013533-00	ETCHED CIRCUIT BOARD	1		
2	2		1013456-08	680.0 MMF 50V 10% X7R CER	1		C12
3	3		1016009-00	2200.0 MMF 50V 5% CER	1		C7
4	4		1001610-00	.01 MFD 50V +80-20% Z5U CER	4		C1,C9,C10,C15
5	5		1002630-00	.015 MFD 100V 10% MYLR	1		C8
6	6		1013466-11	.22 MFD 50V +80-20% Z5U CER	4		C3,C5,C11,C16
7	7		1005306-00	*** THIS ITEM IS NOT USED ***	-		
8	8		1000076-00	*** THIS ITEM IS NOT USED ***	-		
9	9		1309422-00	5.10 .25 W 5.0 % CC	1		R58
10	10		1312929-00	62.0 .25 W 5.0 % CC	2		R3,R23
11	11		1311523-00	110.0 .25 W 5.0 % CC	1		R22
12	12		1300247-00	120.0 .25 W 5.0 % CC	1		R13
13	13		1300271-00	220.0 .25 W 5.0 % CC	1		R59
14	14		1301425-00	300.0 .25 W 5.0 % CC	1		R55
15	15		1303178-00	620.0 .25 W 5.0 % CC	1		R6
16	16		1300365-00	1.0 K .25 W 5.0 % CC	5		R1,R7,R39,R44,R57
17	17		1300391-00	1.50 K .25 W 5.0 % CC	1		R5
18	18		1302388-00	2.0 K .25 W 5.0 % CC	2		R31,R43
19	19		1300426-00	2.70 K .25 W 5.0 % CC	2		R46,R47
20	20		1302389-00	4.30 K .25 W 5.0 % CC	1		R53
21	21		1300447-00	4.70 K .25 W 5.0 % CC	10		R10-R12,R14,R15,R19,R20,R24,R49, R68
22	22		1303179-00	8.20 K .25 W 5.0 % CC	3		R9,R16,R17
23	23		1300488-00	12.0 K .25 W 5.0 % CC	4		R25,R26,R45,R56
24	24		1305346-00	27.0 K .25 W 5.0 % CC	1		R21
25	25		1305131-00	*** THIS ITEM IS NOT USED ***	-		
26	26		1312923-00	2.10 K .25 W 1.0 % RN55D-F10	1		R41
27	27		1305114-00	3.48 K .25 W 1.0 % RN55D-F10	1		R34
28	28		1314763-00	4.12 K .25 W 1.0 % RN55D-F10	1		R36
29	29		1303312-00	10.0 K .25 W 1.0 % RN55D-F10	3		R28,R29,R62

REVISION HISTORY		BASIC PART NO: 5413534		DRN: JERRY BEST	DATE: 26-JUL-78	DIGITAL	
ENG	ECO NUMBER	REV	SECTION A OF A	CHK'D: JERRY BEST	DATE: 26-JUL-78	PARTS LIST	
	INIT	A	SECTION VARIATION INDEX	DES. ENG: R. NOGUCHI	DATE:	D.C. SERVO AND POWER SUPPLY	
BN	5413534-CZ001	B	(A) 00	RESP. ENG.: R. NOGUCHI	DATE: 26-JUL-78	DOCUMENT NUMBER	
NZ	5413534-CX003	C	(B)	MFG. ENG.: P. CHURCH	DATE:	K	PL 5413534-0-DBP
NZ	5413534-CX004	D	(C)	ASSEMBLY NUMBER: D-UA-5413534-0-0	TOP DOCUMENT NUMBER: RLO2	FILE NAME: 20494D.PLS	EDIT # 19
			(D)				
			(E)				
			(F)				
			(H)				
			(J)				
			(K)				
			(L)				
			(M)				
			(N)				

"THIS DRAWING AND SPECIFICATIONS HEREIN, ARE THE PROPERTY OF DIGITAL EQUIPMENT CORPORATION AND SHALL NOT BE REPRODUCED OR COPIED OR USED IN WHOLE OR IN PART AS THE BASIS FOR THE MANUFACTURE OR SALE OF ITEMS WITHOUT WRITTEN PERMISSION. COPYRIGHT (C) 1931. DIGITAL EQUIPMENT CORPORATION"

AUTOMATED BY PRTLST.2E(2)

PARTS LIST

SHEET A2 OF A3

LINE	ITEM	DOCUMENT NUMBER	PART NUMBER	DESCRIPTION	QTY	PER VARIATION	REFERENCE DESIGNATOR
					00		
30	30		1312924-00	10.70 K .25 W 1.0 % RN55D-F10	1		R32
31	31		1309412-00	18.20 K .25 W 1.0 % RN55D-F10	1		R33
32	32		1315436-00	52.30 K .25 W 1.0 % RN55D-F10	1		R54
33	33		1304843-00	243.0 K .25 W 1.0 % RN55D-F10	1		R72
34	34		1315437-00	237.0 K .25 W 1.0 % RN55D-F10	1		R38
35	35		1302378-00	51.0 .50 W 5.0 % CC	1		R51
36	36		1300364-00	1.0 K .50 W 5.0 % CC	2		R18,R48
37	37		1314068-00	360.0 1.0 W 5.0 % CC	1		R4
38	38		1300368-00	1.0 K 1.0 W 5.0 % CC	1		R8
39	39		1301494-00	200.0 2.0 W 5.0 % CC	1		R50
40	40		1313358-00	.20 5.0 W 3.0 % WM	2		R2,R52
41	41		1105796-00	1N 4004 PIV=400 I= 1A D041 SP	3		D1,D2,D5
42	42		1113953-00	1N 5523D VZ= 5.1 1% 1% .40W P	8		D4,D6,D8,D9,D16,D18,D21,D22
43	43		1109990-00	1N 757A VZ= 9.1 5% .40W P	2		D23,D24
44	44		1110994-00	1N 751A VZ= 5.1 5% .40W	1		D14
45	45		1114117-00	1N 4152 PIV=40 I=75	6		D3,D7,D10,D11,D12,D13
46	46		1111577-00	1N 4454 TR= 4NS PIV= 50 S	6		D15,D17,D20,D25-D27
47	47		1513698-00	TRIAC 220V, I>14A	1		D19
48	48		9009597-00	INSULATOR, THERMA-FILM	1		
49	49		1513489-00	2N 4401 NPN 350MW SI 40 20	4		Q2,Q4,Q8,Q9
50	50		1513490-00	2N 4403 PNP 350MW SI-40 30	6		Q1,Q3,Q5-Q7,Q11
51	51		1511282-00	MJ2500 PNP 150WC SI 60 5 1K 5A	2		E4,E6
52	52		1511349-00	TIP 640 (OR MJ3000) NPN DARLNGT	1		E3
53	53		1911706-00	5012 ANALOG SWITCH, 4CHNL	1		E8
54	54		1912818-00	LS36 NAND BUFFER-QUAD 2IN	1		E10
55	55		1912107-01	324ANOP AMP QUAD	1		E7
56	56		1913695-00	7808 VOLT REG, FIX +8V	1		E9
57	57		1913694-00	7908 VOLT REG, FIX -8V	1		E5
58	58		9008419-00	WASHER, FLAT, THERMAFILM .002THK	5		
59	59		7418595-00	HEATSINK ASSEMBLY	1		
60	60		9008033-01	SCREW, PAN, PHIL 4-40X 9/16 SS	11		
61	61		9006557-00	NUT, KEP 4-40X 1/4 AF	11		
62	62		9006655-00	WASHER, FLAT, .312 O.D. X .125 I	11		
63	63		9008269-00	COMPOUND, THERMAL JOINT	A/R		
64	64		1210824-00	THERMOSTAT, 03215, C3156, SPST, NORM	1		S1
65	65		9008185-00	NUT, KEP 6-32X1/4 AF	1		
66	66		9006653-00	WASHER, FLAT, .375 O.D. X .156 I	1		F1
67	67		1205747-00	FUSE, SUB-MINI, 5.00GA, 125V, A	1		TP13-TP19
68	68		9006735-00	EYELET, FUNNEL FLANGE, .059 OD X	6		TP0-TP12
69	69		9007791-00	TERM PCB 2POS SOLDER, TURRET	13		J1
70	70		1213922-01	HEADER 3POS	1		J2
71	71		1213922-04	HEADER 6POS	1		J3
72	72		1213900-00	CONN, RCPT 6POS	1		J4
73	73		1209941-06	HEADER.100 20POS RT ANGLE	1		
74	74		1209941-04	HEADER RT ANGLE, RIGHT	1		
75	75		1209941-03	HEADER RT ANGLE, LEFT L	1		
76	76		1305324-00	4.99 K .25 W 1.0 % RN55D-F10	2		R37,R30
77	77		1300250-00	150.0 .25 W 5.0 % CC	1		R42

D	I	G	I	T	A	L	TITLE	D.C. SERVO AND POWER SUPPLY	SECTION A OF A	SIZE	CODE	DOCUMENT NUMBER	REV
										K	PL	5413534-0-DBP	D

AUTOMATED BY PRTLST.2E(2)

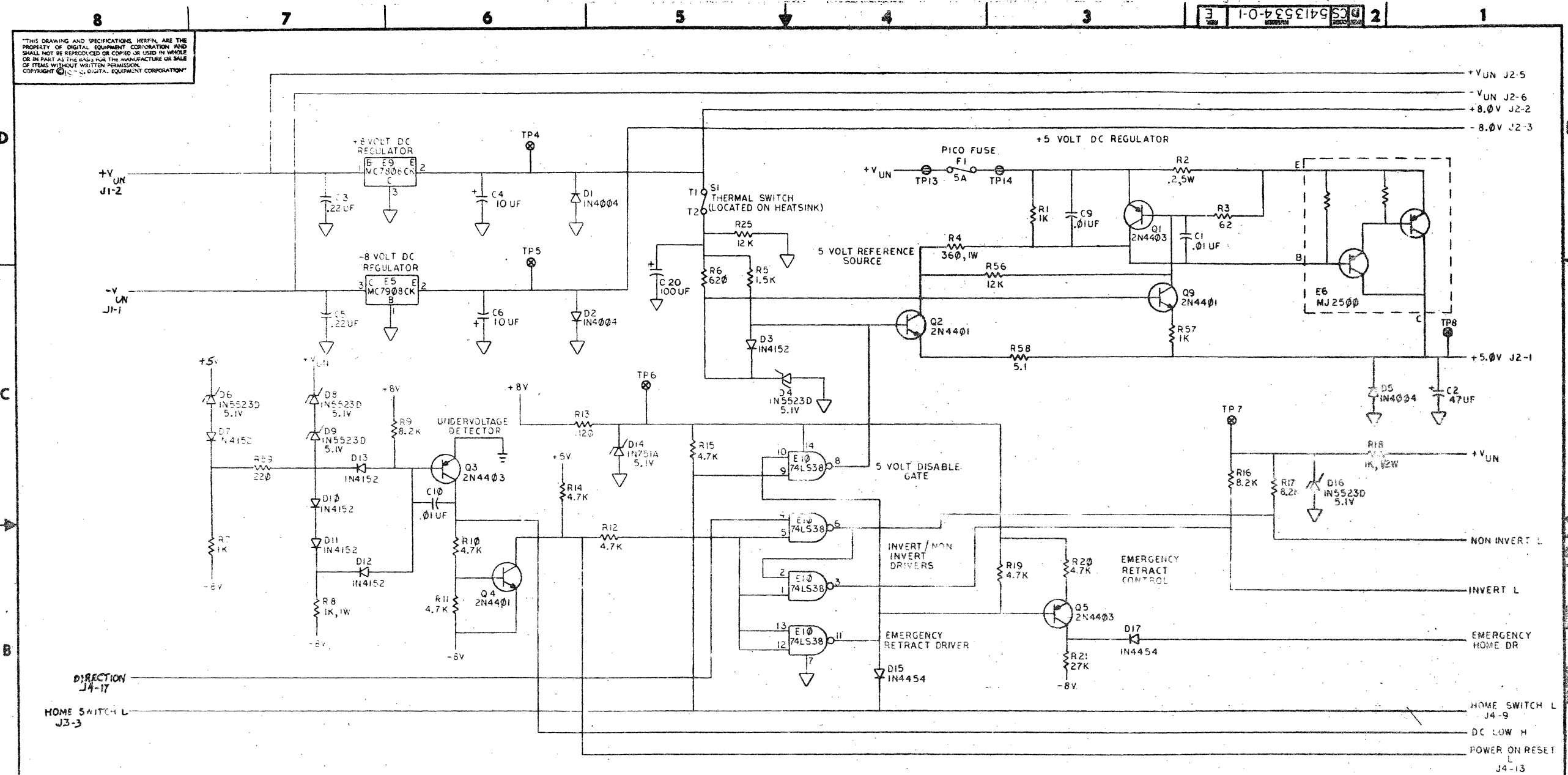
PARTS LIST

SHEET A3 OF A3

LINE	ITEM	DOCUMENT NUMBER	PART NUMBER	DESCRIPTION	QTY PER VARIATION 00	REFERENCE DESIGNATOR
78	78		1312618-00	16.90 K .25 W 1.0 % RN55D-F10	1	R49
79	79		1300229-00	100.0 .25 W 5.0 % CC	1	R63
80	80		1305336-00	*** THIS ITEM IS NOT USED ***	-	
81	81		1309416-00	31.60 K .25 W 1.0 % RN55D-F10	1	R65
82	82		1002781-00	100 MFD 25V +75-10% AL EL	1	C20
83	83		9009185-00	JUMPER, WIRE, INSULATED, BLACK B	2	W1, W2
84	84		1303044-00	100.0 K .25 W 1.0 % RN55D-F10	1	R64
85	85		1015574-00	*** THIS ITEM IS NOT USED ***	-	
86	86		1315435-00	25.50 K .25 W 1.0 % RN55D-F10	1	R66
87	87		1312930-00	5.10 K .25 W 5.0 % CC	1	R67
88	88		1015520-00	1 MFD 100V 5% MET. MYLR	1	C19
89	89		1513697-00	2N 5640 FET N CHNNL	1	Q10
90	90		1300479-00	10.0 K .25 W 5.0 % CC	1	R69
91	91		1302466-00	100.0 K .25 W 5.0 % CC	1	R70
92	92		9105740-55	WIRE(WRAP)30AWG UL1423	A/R	
93	93		1017472-00	10 MFD 35V +50-10% AL EL	4	C4, C6, C13, C14
94	94		1016545-00	47 MFD 10V +50-10% AL EL	1	C2
				RELEASABLE		

D	I	G	I	T	A	L	TITLE	D.C. SERVO AND POWER SUPPLY	SECTION A	OF	A	SIZE	CODE	DOCUMENT NUMBER	REV
												K	PL	5413534-0-DBP	D

THIS DRAWING AND SPECIFICATIONS HEREIN ARE THE PROPERTY OF DIGITAL EQUIPMENT CORPORATION AND SHALL NOT BE REPRODUCED OR COPIED OR USED IN WHOLE OR IN PART AS THE BASIS FOR THE MANUFACTURE OR SALE OF ITEMS WITHOUT WRITTEN PERMISSION. COPYRIGHT © 1971, DIGITAL EQUIPMENT CORPORATION



- NOTES:
1. ALL RESISTORS TO BE 1/4W, 5%; UNLESS OTHERWISE SPECIFIED.
 2. E1 AND E2 ARE SPARES.
 3. VALUE OF R60 OR R61 WILL BE DETERMINED IN TESTING.
 4. INSTALL W1 AND W2 FOR RL01 ON SIDE 2. INSTALL W2 ONLY FOR RL02 ON SIDE 2.

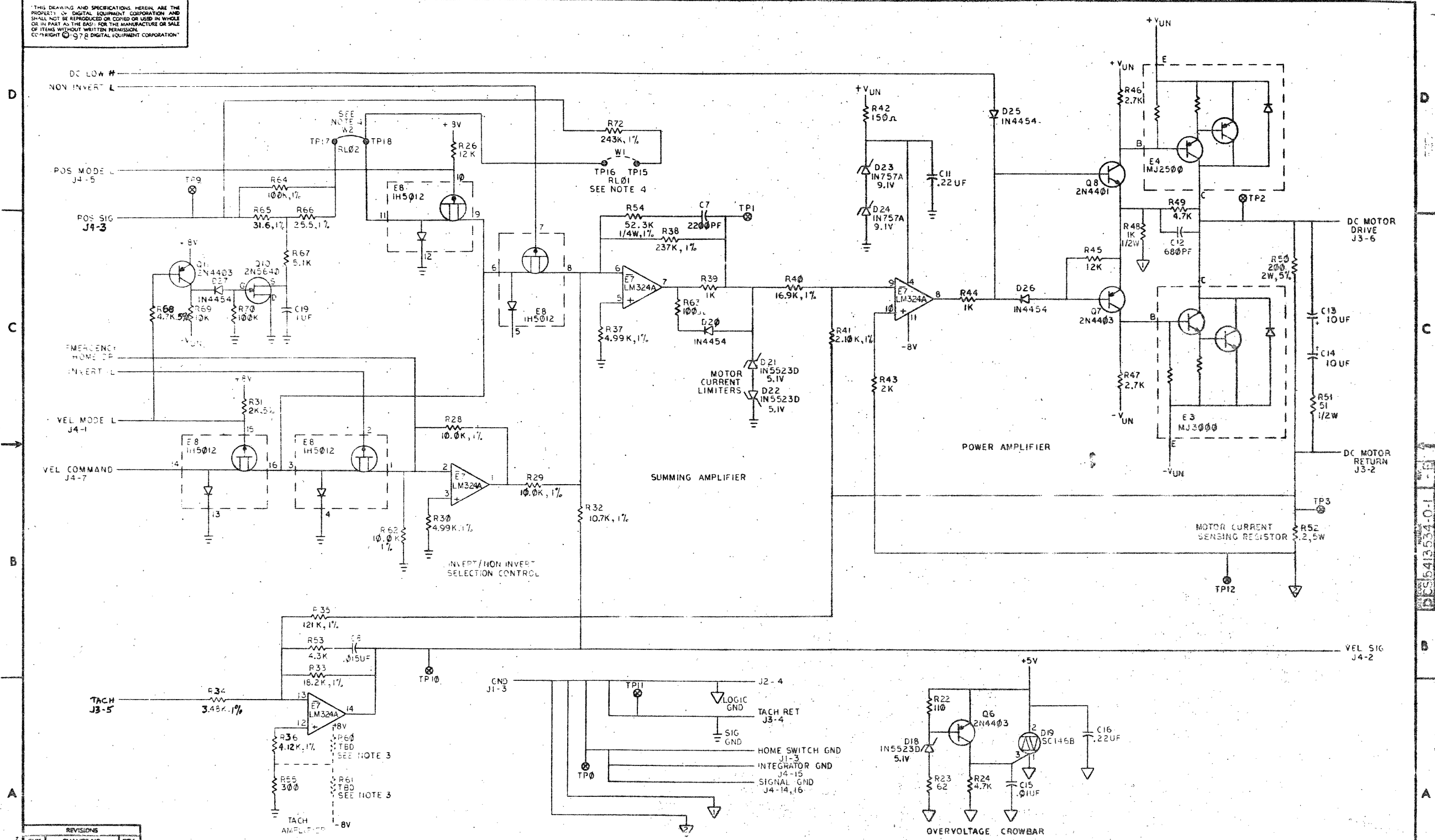
REV.	DESCRIPTION	DATE	BY	CHKD.
1	INITIAL DESIGN	10/17/71	M. ZARICH	
2	REVISED TO ADD THERMAL SWITCH	11/17/71	M. ZARICH	
3	REVISED TO ADD UNDERVOLTAGE DETECTOR	12/17/71	M. ZARICH	
4	REVISED TO ADD EMERGENCY RETRACT CONTROL	1/17/72	M. ZARICH	
5	REVISED TO ADD INVERT/NON INVERT DRIVERS	2/17/72	M. ZARICH	
6	REVISED TO ADD EMERGENCY RETRACT DRIVER	3/17/72	M. ZARICH	
7	REVISED TO ADD HOME SWITCH L	4/17/72	M. ZARICH	
8	REVISED TO ADD DC LOW H	5/17/72	M. ZARICH	
9	REVISED TO ADD POWER ON RESET	6/17/72	M. ZARICH	

DESCRIPTION		DWG. PART NO.		ITERATION	
UNLESS OTHERWISE SPECIFIED DIMENSIONS ARE IN INCHES UNLESS OTHERWISE SPECIFIED					
ANGLE	10° 30'	12°	15°	18°	22°
SURFACE QUALITY	10	12	15	18	22
QUANTITY & VARIATION	MICRODIMENSION PREFERRED				
DRG. NO.	PREFUSED ON				
DATE	TITLE				
FROM DESK	DC SERVO AND POWER SUPPLY				
SCALE	D 5413534-0-0				
SIZE	CODE NUMBER				
SCALE	D 5413534-0-1				
REV.	E				

D-5413534-0-1 1 OF 2

REV. E

THIS DRAWING AND SPECIFICATIONS HEREIN ARE THE PROPERTY OF DIGITAL EQUIPMENT CORPORATION AND SHALL NOT BE REPRODUCED OR COPIED OR USED IN WHOLE OR IN PART AS THE BASIS FOR THE MANUFACTURE OR SALE OF ITEMS WITHOUT WRITTEN PERMISSION. COPYRIGHT © 1972 DIGITAL EQUIPMENT CORPORATION



REVISIONS		
CHK	CHANGE NO.	REV.

TITLE	DC SERVO AND POWER SUPPLY	SIZE CODE	NUMBER	REV.
DCS	5413534-0-1			
SHEET	2 OF 2	DIST.		

D-6-5413534-0-1 2 OF 2 RL02

AUTOMATED BY PRTLST.3H(20)

PARTS LIST

SHEET A1 OF A4

LINE	ITEM	DOCUMENT NUMBER	PART NUMBER	DESCRIPTION	QTY PER VARIATION	REFERENCE DESIGNATOR
1	1	D-MD-5014024-0-0	5014024-00	DRILL AND ETCH BRD	1	
2	2	EW5		RESISTOR, FINAL TEST, 1/4W, 1% 4	4	R115, R116, R118, R119
3	3		1000023-00	330.0 MHF 100V 5% 200PPM MICA	4	C93, C106-C108
4	4		1000024-00	470.0 MHF 100V 5% 200PPM MICA	1	C94
5	5		1000064-00	3.9MFD 10V 10% S.TANT	1	C85
6	6		1000074-00	39 MFD 10V 10% S.TANT	1	C86
7	7		1001610-00	.01 MFD 50V +80-20% Z5U CER	79	C1-C6, C8-C39, C40-C45, C47-C49, C51-C53, C55-C68, C70-C71, C77, C79-C82, C84, C88, C104, C113-C117 C92, C97
8	8		1001776-00	1 MFD 35V 10% S.TANT	2	C87
9	9		1004812-00	15 MFD 20V 10% S.TANT	1	C101
10	10		1005784-00	.01 MFD 100V 200V 10% MYL	1	C96
11	11		1010979-32	.047 MFD 50V 10% CER	1	C91
12	12		1013466-07	220.0 MHF 50V 5% CER	1	C89, C90
13	13		1013466-08	680.0 MHF 50V 10% X7R CER	2	C83
14	14		1013466-09	1000.0 MHF 50V 10% X7R CER	1	C98, C103, C105
15	15		1013466-10	3300.0 MHF 50V 5% CER	3	C99, C102
16	16		1013466-11	.22 MFD 50V +80-20% Z5U CER	2	D1, D7-D20, D22, D23
17	17		1111577-00	1N 4454 TR= 4NS PIV= 50 S	17	D21
18	18		1113953-00	1N 5523D VZ= 5.1 1%	1	D2-D6
19	19		1114117-00	1N 4152 PIV=40 I=75	5	
20	20		1209941-02	*** THIS ITEM IS NOT USED ***	-	
21	21		1209941-03	HEADER RT ANGLE LEFT L	1	
22	22		1209941-04	HEADER RT ANGLE RIGHT	1	
23	23		1209941-05	HEADER 100 10POS RT ANGLE	1	J11
24	24		1209941-06	*** THIS ITEM IS NOT USED ***	-	
25	25		1210385-01	*** THIS ITEM IS NOT USED ***	-	
26	26		1213922-02	HEADER 3POS	1	J14
27	27		1213922-04	HEADER 6POS	1	J2
28	28		1300229-00	100.0 .25 W 5.C % CC	6	R48, R133-R136, R151

REVISION HISTORY		BASIC PART NO: 5414025		DRN:	RT SIMM	DATE: 18-APR-79	DIGITAL	
ENG:	ECO NUMBER	REV	SECTION A OF A	CHK'D:	P. KENDRICK	DATE: 18-APR-79	TITLE	PARTS LIST
---	INITIAL	A	SECTION VARIATION INDEX					
MB	5414025-CX001	B	EAJ 00				DRIVE LOGIC	
MB	5414025-CX002	C	EBJ					
MB	5414025-CX003	D	ECJ	DES.ENG:	MIKE BROWN	DATE: 18-APR-79		
MB	5414025-CX005	E	EDJ					
MB	5414025-CX010A	F	EEJ	RESP.ENG.:	MIKE BROWN	DATE: 18-APR-79	DOCUMENT NUMBER	
MB	5414025-CX014	H	EFJ					
MB	5414025-CX016	J	EHJ				SIZE CODE NUMBER	REV
			EJJ					
			EKJ	MFG.ENG.:	D. LICK	DATE: 18-APR-79	K PL 5414025-0-DBP	J
			ELJ					
			EMJ	ASSEMBLY NUMBER:		TGP DOCUMENT NUMBER:	FILE NAME:	EDIT #
			ENJ	D-UA-5414025-0-0		B-DD-5414025-0	Z0496J.PLS	33

*THIS DRAWING AND SPECIFICATIONS HEREIN, ARE THE PROPERTY OF DIGITAL EQUIPMENT CORPORATION AND SHALL NOT BE REPRODUCED OR COPIED OR USED IN WHOLE OR IN PART AS THE BASIS FOR THE MANUFACTURE OR SALE OF ITEMS WITHOUT WRITTEN PERMISSION. COPYRIGHT (C) 1981. DIGITAL EQUIPMENT CORPORATION *

AUTOMATED BY PRTLST.JH(20)

PARTS LIST

SHEET A2 OF A4

LINE ITEM	DOCUMENT NUMBER	PART NUMBER	DESCRIPTION	QTY PER VARIATION	REFERENCE DESIGNATOR
29	29	1300271-00	220.0 .25 W 5.0 Z CC	4	R3,R14,R41,R143
30	30	1300315-00	470.0 .50 W 5.0 Z CC	3	R16,R73,R130
31	31	1300316-00	470.0 .25 W 5.0 Z CC	4	R1,R2,R79,R142
32	32	1300365-00	1.0 K .25 W 5.0 Z CC	15	R15,R39,R40,R42,R47,R52,R54,R56, R61,R72,R74,R101,R106,R129,R140
33	33	1300411-00	2.0 K .25 W 1.0 Z RN55D-F10	1	R144
34	34	1300439-00	3.30 K .25 W 5.0 Z CC	3	R93,R124,R126
35	35	1300447-00	4.70 K .25 W 5.0 Z CC	36	R4,R6-R13,R26-R28,R34,R35,R38, R43,R44,R49,R53,R57,R58,R75-R78, R80,R82,R92,R102,R105,R123,R125, R127,R138,R145,R148
36	36	1300479-00	10.0 K .25 W 5.0 Z CC	3	R17,R70,R107
37	37	1302388-00	2.0 K .25 W 5.0 Z CC	14	R18-R21,R45,R50,R66,R67,R71,R87, R122,R128,R131,R149
38	38	1302391-00	20.0 K .25 W 5.0 Z CC	1	R59
39	39	1302394-00	30.0 K .25 W 5.0 Z CC	1	R95
40	40	1302398-00	470.0 K .25 W 5.0 Z CC	1	R55
41	41	1302466-00	100.0 K .25 W 5.0 Z CC	1	R121
42	42	1302514-00	39.0 K .25 W 5.0 Z CC	1	R91
43	43	1302666-00	10.0 H .25 W 5.0 Z CC	1	R94
44	44	1302871-00	1.21 K .25 W 1.0 Z RN55D-F10	1	R88
45	45	1303044-00	100.0 K .25 W 1.0 Z RN55D-F10	1	R25
46	46	1303047-00	464.0 .25 W 1.0 Z RN55D-F10	5	R64,R65,R83,R85,R113
47	47	1303114-00	1.0 K .25 W 1.0 Z RN55D-F10	2	R89,R150
48	48	1303312-00	10.0 K .25 W 1.0 Z RN55D-F10	6	R29,R30,R31,R36,R60,R63
49	49	1304693-00	*** THIS ITEM IS NOT USED ***	-	
50	50	1304841-00	75.0 K .25 W 5.0 Z CC	1	R81
51	51	1304862-00	*** THIS ITEM IS NOT USED ***	-	
52	52	1304870-00	6.81 K .25 W 1.0 Z RN55D-F10	1	R33
53	53	1305124-00	287.0 .25 W 1.0 Z RN55D-F10	2	R84,R86
54	54	1305265-00	39.20 K .25 W 1.0 Z RN55D-F10	1	R24
55	55	1305337-00	3.65 K .25 W 1.0 Z RN55D-F10	2	R96,R99
56	56	1305405-00	24.90 K .25 W 1.0 Z RN55D-F10	1	R23
57	57	1709595-00	1.0 H .25 W 5.0 Z CC	3	R46,R51,R132
58	58	1310432-00	2.37 K .25 W 1.0 Z RN55D-F10	2	R109,R110
59	59	1317303-00	301.0 .25 W 1.0 Z RN55D-F10	2	R97,R100
60	60	1312929-00	*** THIS ITEM IS NOT USED ***	-	
61	61	1312930-00	3.10 K .25 W 5.0 Z CC	3	R68,R69,R137
62	62	1312989-00	17.80 K .25 W 1.0 Z RN55D-F10	3	R22,R103,R104
63	63	1313589-00	1.40 K .25 W 1.0 Z RN55D-F10	1	R90
64	64	1313846-00	2.26 K .25 W 1.0 Z RN55D-F10	1	R32
65	65	1314041-00	3.01 K .25 W 1.0 Z RN55D-F10	1	R37
66	66	1314491-00	*** THIS ITEM IS NOT USED ***	-	
67	67	1513489-00	2N 4401 NPN 350MW SI 40 20	3	Q7,Q10,Q12
68	68	1513490-00	2N 4403 PNP 350MW SI 40 30	10	Q1-03,Q5,Q6,Q8,Q9,Q11,Q13,Q15
69	69	1513697-00	2N 5640 FET N CHNML	1	Q14
70	70	1909928-00	7416 INVERTER GATE-MEX 11	4	E9,E10,E68,E85
71	71	1910046-00	7442 DECODER-1 OF 10.BCD	1	E55

D	I	G	I	T	A	L	TITLE	SECTION A OF A	SIZE	CODE	DOCUMENT NUMBER	REV
							DRIVE LOGIC		K	PL	5414025-0-DBP	J

AUTOMATED BY PRTLST.3H(20)

PARTS LIST

SHEET A3 OF A4

LINE	ITEM	DOCUMENT NUMBER	PART NUMBER	DESCRIPTION	QTY	PER VARIATION	REFERENCE DESIGNATOR
					00		
72	72		1910268-00	DEC 751078 RECEIVER,LINE,DUAL,	4		E57,E61,E65,E87
73	73		1910298-00	741 OP AMP GEN PURP. COM	1		E31
74	74		1910363-00	7496 SHIFT REG.,4BIT	1		E33
75	75		1910536-00	74510 NAND GATE-TRIPLE 3IN	1		E45
76	76		1910655-00	74157 MUX 2 TO 1 QUAD	2		E23,E24
77	77		1911341-00	75113 DRIVER,LINE,DUAL,HA	3		E77,E83,E86
78	78		1912107-01	324ANOP AMP,QUAD	1		E49
79	79		1912108-00	339 VOLT CMPTR,QUAD	3		E5,E36,E56
80	80		1912541-00	79405 VCLT REG, FIX -5V	1		04
81	81		1912697-00	LS174 FF-D HEX W/CLEAR	2		E37,E41
82	82		1912799-00	LS00 NAND-GATE-QUAD 2IN,P	4		E7,E15,E44,E67
83	83		1912801-00	LS02 NOR-GATE-QUAD 2IN	4		E1,E30,E39,E54
84	84		1912803-00	74LS04 INVERTEK GATE,HEX	2		E79,E80
85	85		1912805-00	LS08 AND GATE-QUAD 2IN,PD	4		E14,E34,E38,E69,E72,E76
86	86		1912807-00	LS10 NAND GATE-TRIPLE 3IN	1		E18
87	87		1912810-00	LS20 NAND GATE-DUAL 4IN	1		E2
88	88		1912813-00	LS27 NOR GATE-TRIPLE 3IN	1		E73
89	89		1912816-00	LS32 OR GATE-QUAD 2IN,POS	4		E17,E35,E59,E84
90	90		1912824-00	LS74 FF-D DUAL,EDGE TRIGG	8		E3,E11,E16,E26,E42,E46,E62,E75
91	91		1912829-00	LS86 X-OR GATE-QUAD 2IN	3		E51,E66,E78
92	92		1912837-00	LS123 ONE SHOT-DUAL,RETRIG	1		E50
93	93		1912854-00	LS193 COUNTER,SYNCHR,4BIT,	3		E27,E28,E43
94	94		1912855-00	LS193 SHIFT REG.,4BIT PARA	5		E19,E22,E25
95	95		1912857-00	LS197 COUNTER,BINARY,PRESET	4		E4,E8,E13,E74
96	96		1912864-00	LS279 LATCH,QUAD-S-R	4		E6,E12,E29,E33,E58,E71
97	97		1913414-00	LS14 INVERTER GATE-HEX SC	2		E40,E48
98	98		1914156-00	LM 393 VOLT.COMPARATOR DUAL	1		E53
99	99		23368A2-00	A2-02,A2-C4	1		E52
100	100		23371A2-00	A2-02,A2-04	1		E60
101	101		2344A2-00	A2-02,A2-04	1		E70
102	102		23445A2-00	A2-02,A2-04	1		E32
103	103		9007201-00	TRANSIPADS 10253	1		
104	104		9007791-00	TERM PCB 2POS SOLDER,TURRET	15		TP1-TP4,TP6-TP16
105	105		9009185-00	JUMPER, WIRE, INSULATED, BLACK B	1		W1
106	106		9105740-55	WIRE(WRAP)30AWG UL1423	A/R		
107	107		1012784-00	.047 MFD 50V +80-20% CER	10		C7,C46,C50,C54,C69,C72,C109, C110,C111,C112
108	108		1911324-00	7414 INVERTER,HEX 1IN SCH	1		E64
109	109		1217377-00	TERM-TAB .205TAB CRIMP	1		J15
110	110		1005334-00	*** THIS ITEM IS NOT USED ***	-		
111	111		1305608-00	*** THIS ITEM IS NOT USED ***	-		
112	112		1303067-00	422.0 .25 W 1.0 Z RN55D-F10	1		R108
113	113		1311465-00	43.0 .25 W 5.0 Z CC	2		R111,R112
114	114		1018440-00	4700.0 MHF 50V 1% CER	1		C100
115	115		1016549-00	47 MFD 10V +50-10% AL EL	2		C73,C95
116	116		1017472-00	10 MFD 35V +50-10% AL EL	3		C74,C75,C76
117	117		1300309-00	390.0 .25 W 5.0 Z CC	1		R42
118	118		1305126-00	619.0 .25 W 1.0 Z RN55D-F10	1		R114

D	I	G	I	T	A	L	TITLE	DRIVE LOGIC	SECTION	A	OF	A	SIZE	CODE	DOCUMENT NUMBER	REV
													K	PL	5414025-0-DBP	J

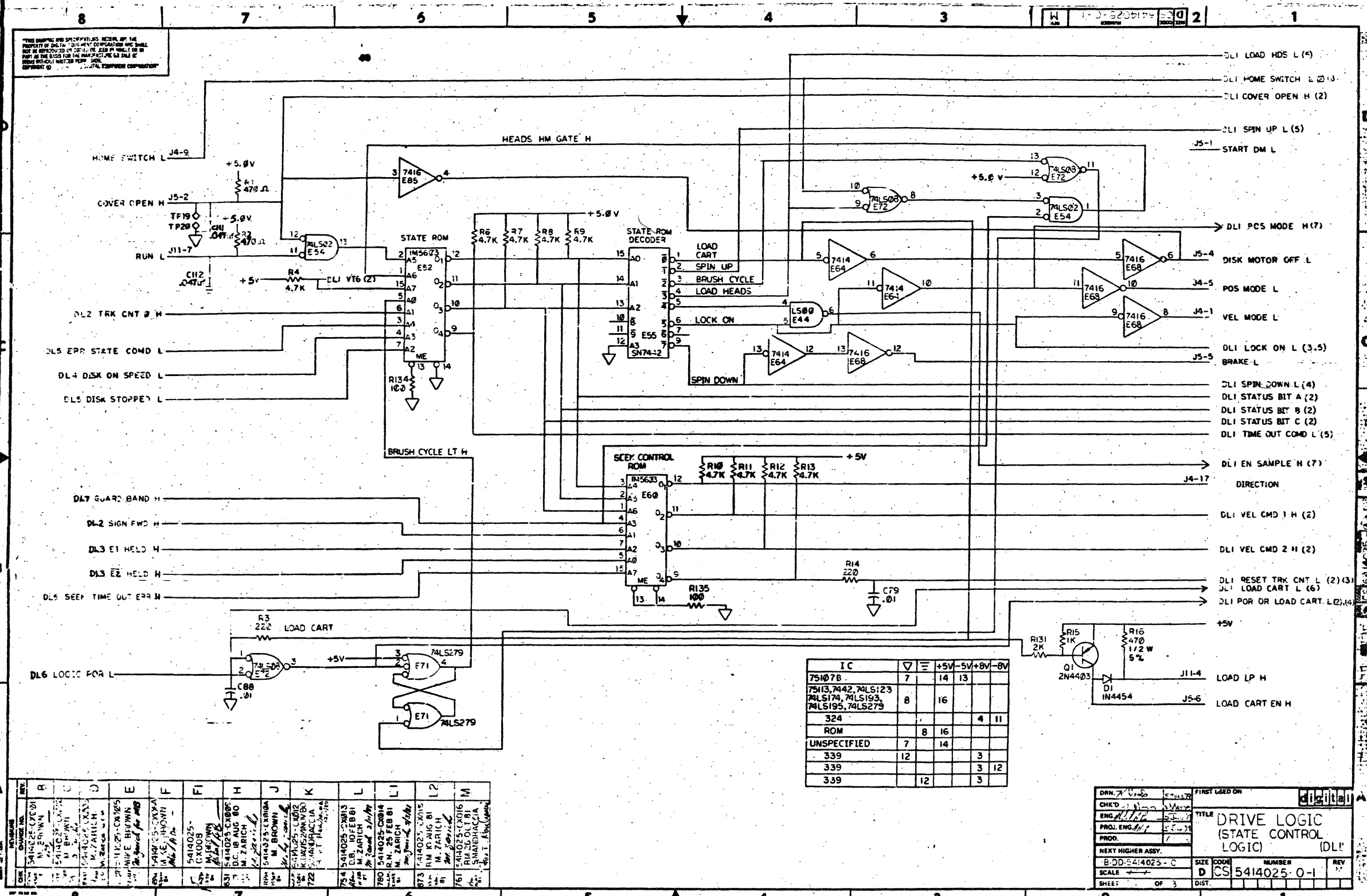
AUTOMATED BY PRTLST.3H(20)

PARTS LIST

SHEET A4 OF A4

LINE	ITEM	DOCUMENT NUMBER	PART NUMBER	DESCRIPTION	QTY PER VARIATION 00	REFERENCE DESIGNATOR
119	119		1309417-00	27.40 K .25 W 1.0 X RN55D-F10	1	R120
120	120		1343155-00	604.0 .25 W 1.0 X RN55D-F10	1	R117
121	121		1910544-00	7AS74 FF-D DUAL,EDGE TRIGG	1	E47
122	122		1216832-02	HEADER 40PDS WITH LATCHES	1	J12
123	123		1216832-00	HEADER 05 20PDS WITH LATCHES	3	J4,J5,J6
124	124		1305653-00	22.0 1.0 W10.0 X CC	1	R146
125	125		9009149-01	PIN; STAKING; P.C.BOARD .025 SQU	10	TP17-TP26

D	I	G	I	T	A	L	TITLE	SECTION A OF A	SIZE	CODE	DOCUMENT NUMBER	REV
							DRIVE LOGIC		K	PL	5414025-0-DBP	J



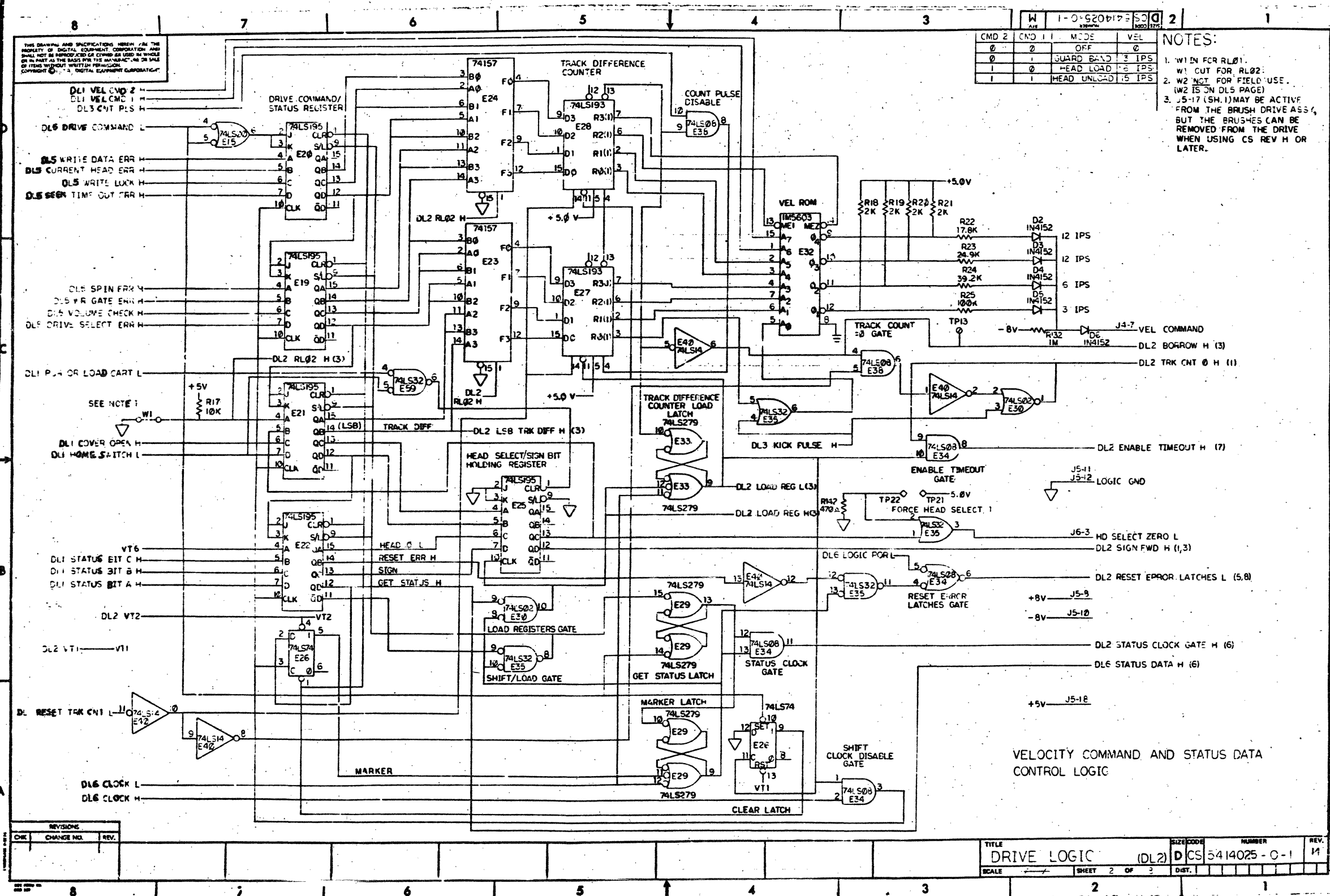
THIS DRAWING AND SPECIFICATIONS HEREOF ARE THE PROPERTY OF DIGITAL EQUIPMENT CORPORATION AND SHALL NOT BE REPRODUCED OR TRANSMITTED IN ANY FORM OR BY ANY MEANS, ELECTRONIC OR MECHANICAL, INCLUDING PHOTOCOPYING, RECORDING, OR BY ANY INFORMATION STORAGE AND RETRIEVAL SYSTEM, WITHOUT WRITTEN PERMISSION FROM DIGITAL EQUIPMENT CORPORATION.

I.C.	7	14	13	+5V	-5V	+8V	-8V
75107B							
75113, 7442, 74LS123	8			16			
74LS174, 74LS193, 74LS195, 74LS279						4	11
324							
ROM		8	16				
UNSPECIFIED	7		14				
339		12				3	
339						3	12
339		12				3	

REV.	BY	DATE	DESCRIPTION
1	M. ZARICH	10 FEB 81	INITIAL DESIGN
2	M. ZARICH	10 FEB 81	REVISED FOR MANUFACTURE
3	M. ZARICH	10 FEB 81	REVISED FOR MANUFACTURE
4	M. ZARICH	10 FEB 81	REVISED FOR MANUFACTURE
5	M. ZARICH	10 FEB 81	REVISED FOR MANUFACTURE
6	M. ZARICH	10 FEB 81	REVISED FOR MANUFACTURE
7	M. ZARICH	10 FEB 81	REVISED FOR MANUFACTURE
8	M. ZARICH	10 FEB 81	REVISED FOR MANUFACTURE

DRN: X-1000	DATE: 10 FEB 81	FIRST USED ON: digital
CHK'D: M. ZARICH	DATE: 10 FEB 81	TITLE: DRIVE LOGIC (STATE CONTROL LOGIC) (DL1)
ENG: M. ZARICH	DATE: 10 FEB 81	PROJ. ENG: M. ZARICH
PROD.:		
NEXT HIGHER ASSY.:		
B-DD-5414025-C	SIZE: D	CODE: CS 5414025-0-1
SCALE:	OF: 3	DIST.:
SHEET:		

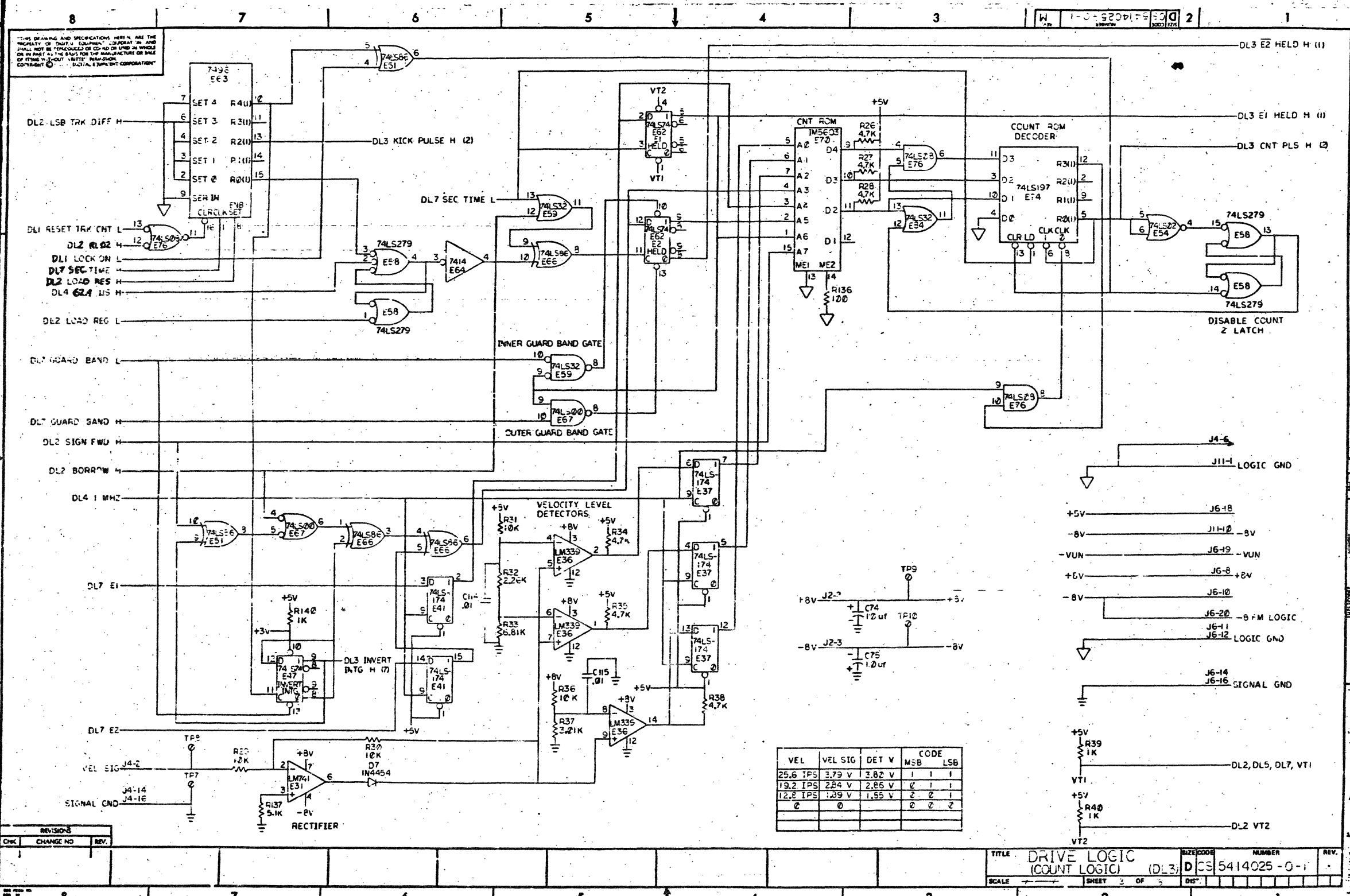
D-C-5414025-B-1 1 OF 3 R192



REV.	CHG. NO.	DATE

TITLE	DRIVE LOGIC (DL2)	SIZE CODE	DCS 5414025-C-1	NUMBER	11
SCALE		SHEET	2 OF 3	DIST.	

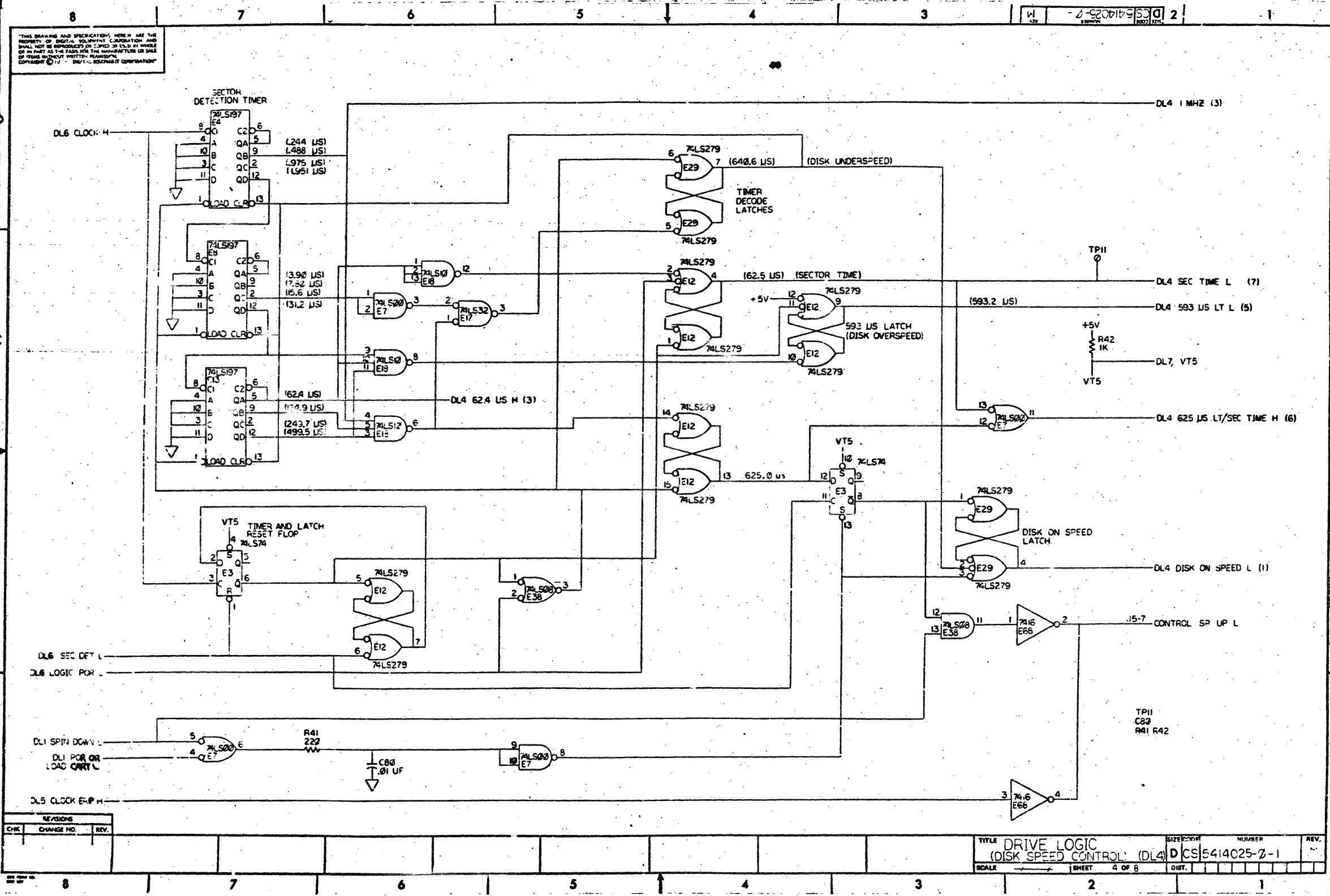
D-5-5414025-B-1 2 OF 3 RL02



VEL	VEL SIG	DET V	MSB	CODE	LSB
25.6 IPS	3.73 V	3.82 V	1	1	1
19.2 IPS	2.84 V	2.85 V	0	1	1
12.8 IPS	1.89 V	1.55 V	2	0	1
0	0	0	0	0	0

TITLE DRIVE LOGIC (COUNT LOGIC) (DL3) DCS 5414025-0-1
 SCALE SHEET 3 OF 5 DIST: REV.

D-CS-5414025-0-1 3 of 5 RL92

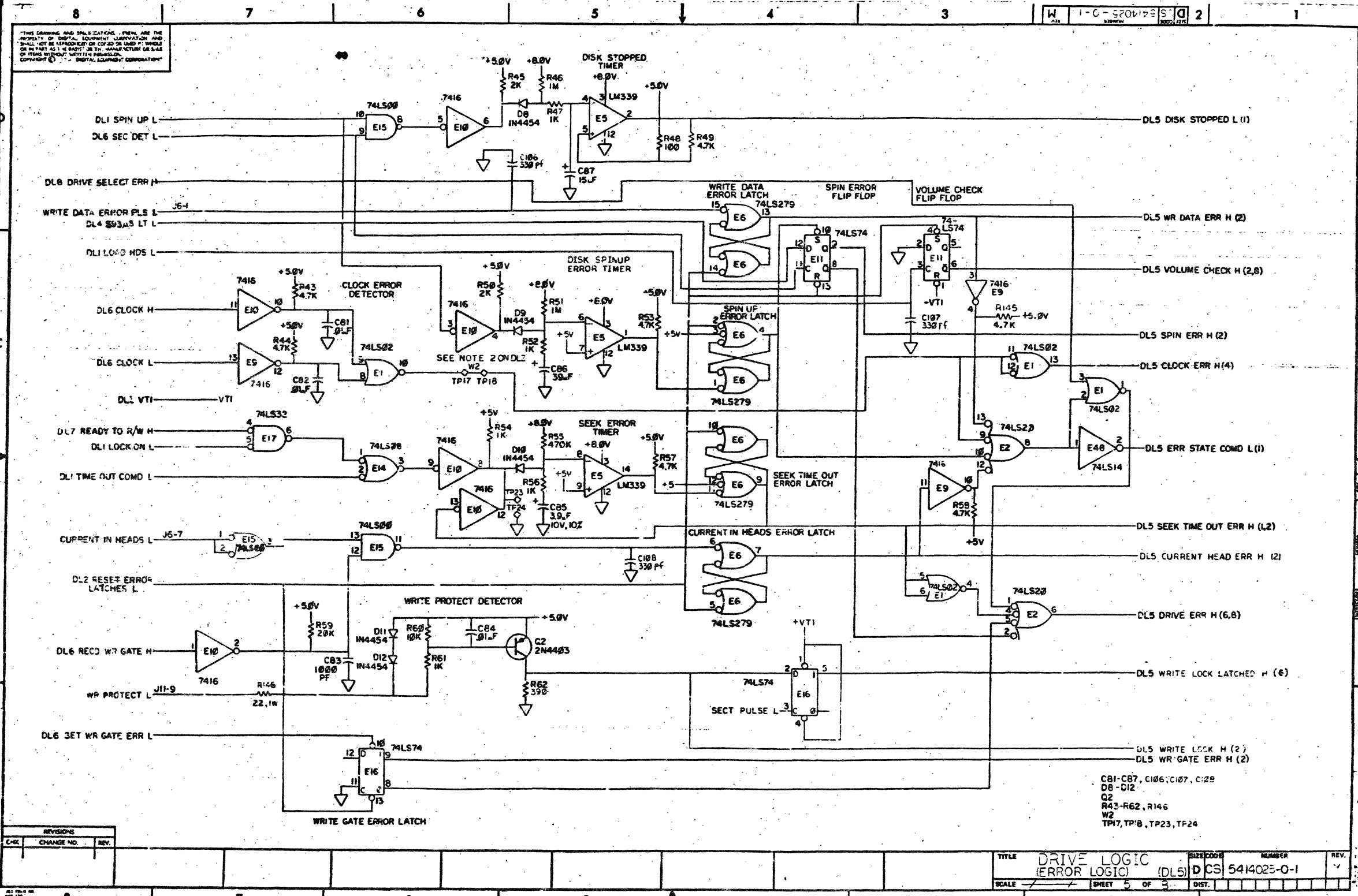


THIS DRAWING AND SPECIFICATIONS HEREIN ARE THE PROPERTY OF DIGITAL EQUIPMENT CORPORATION AND SHALL NOT BE REPRODUCED OR COPIED OR USED BY WHOLE OR IN PART AS THE BASIS FOR THE MANUFACTURE OR SALE OF ITEMS WITHOUT WRITTEN PERMISSION OF DIGITAL EQUIPMENT CORPORATION.

REVISIONS		
CHK	CHANGE NO.	REV.

TITLE DRIVE LOGIC (DISK SPEED CONTROL) (DL4) DCS 5414025-2-1
 SCALE SHEET 4 OF 8 DIST. NUMBER REV.

D-5-5414025-0-1 4 OF 8 RLWZ



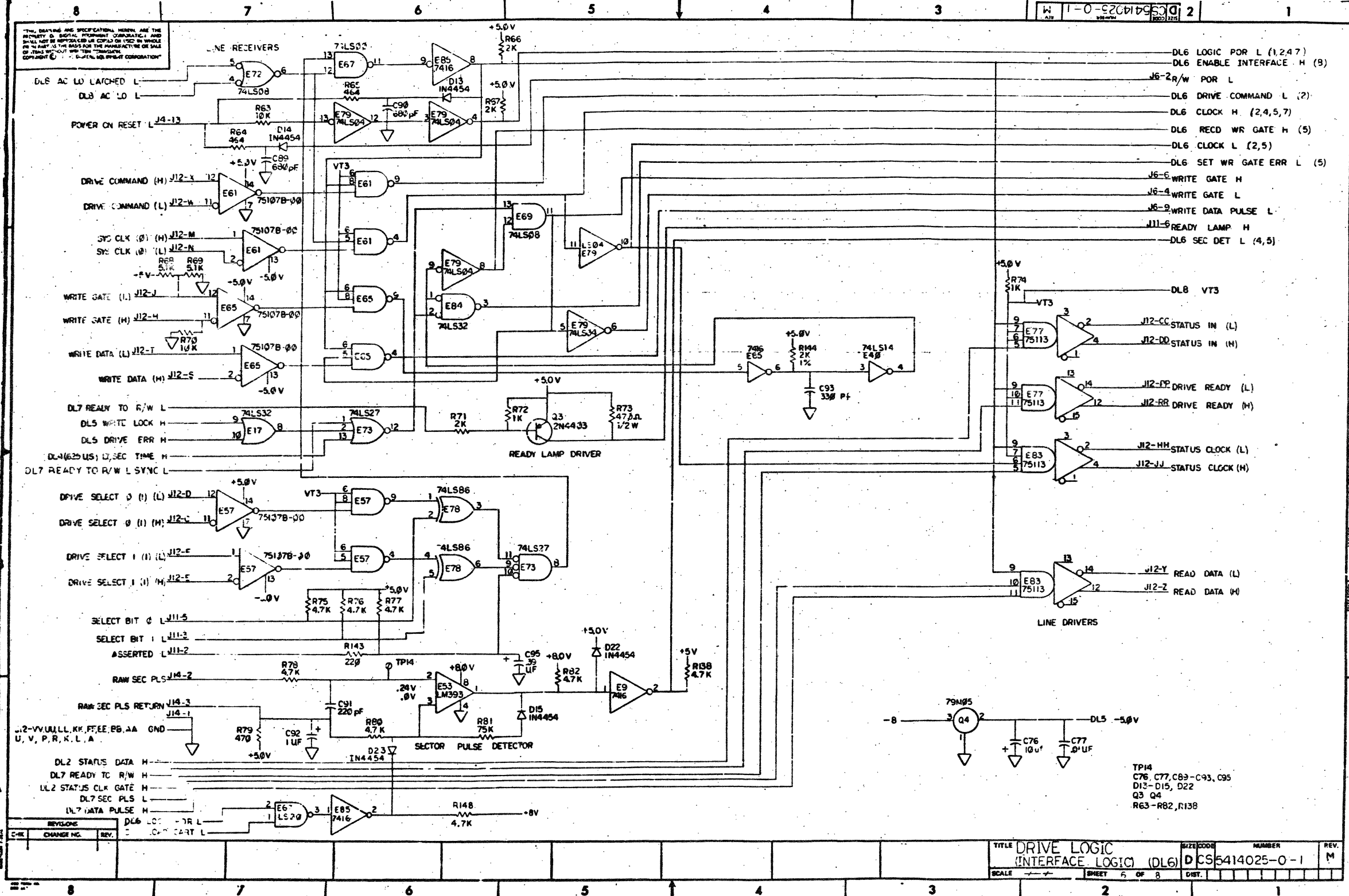
THIS DRAWING AND SPECIFICATIONS THEREON ARE THE PROPERTY OF DIGITAL EQUIPMENT CORPORATION AND SHALL NOT BE REPRODUCED OR COPIED OR USED IN WHOLE OR IN PART AS A BASIS FOR THE MANUFACTURE OR SALE OF ITEMS WITHOUT WRITTEN PERMISSION. COPYRIGHT © 1971 DIGITAL EQUIPMENT CORPORATION

1-C-520V18 S Q 2

REVISIONS		
CHK	CHANGE NO.	REV.

TITLE	DRIVE LOGIC (ERROR LOGIC) (DL5)	SHEET CODE	D CS	NUMBER	5414025-0-1	REV.	
SCALE		SHEET	5	OF	5	DIST.	

D-65-5414025-0-1 5 OF 5 R192

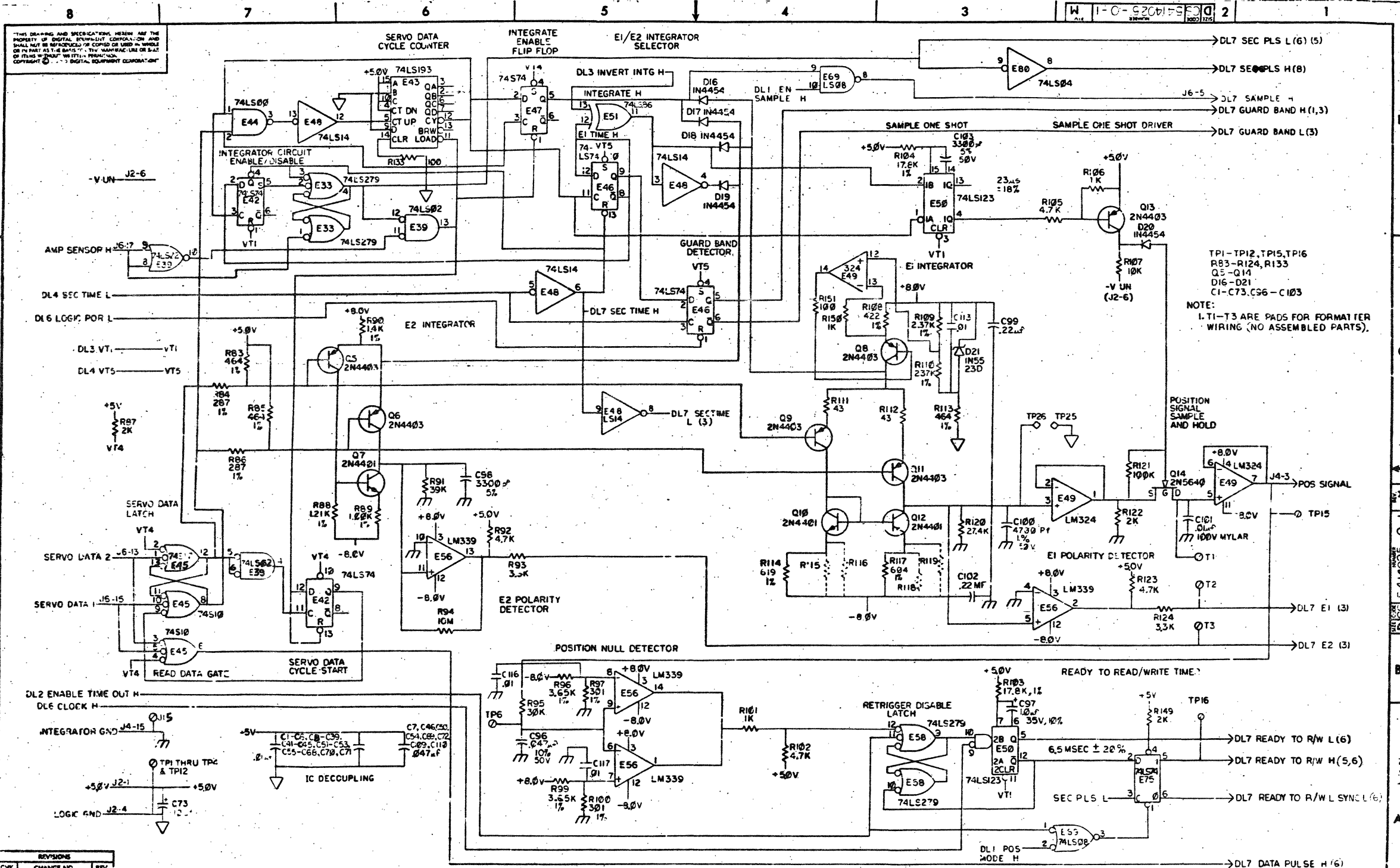


THE DRAWING AND SPECIFICATIONS HEREIN ARE THE PROPERTY OF DIGITAL EQUIPMENT CORPORATION AND SHALL NOT BE REPRODUCED OR COPIED IN WHOLE OR IN PART AS THE BASIS FOR THE MANUFACTURE OR SALE OF ITEMS WITHOUT THE WRITTEN PERMISSION OF DIGITAL EQUIPMENT CORPORATION.

DCS5414025-0-1

TITLE DRIVE LOGIC (INTERFACE LOGIC) (DL6)
NUMBER DCS5414025-0-1
SHEET 5 OF 8

D-C5-5414025-0-1 6 OF 8 RL02



THIS DRAWING AND SPECIFICATIONS HEREBY ARE THE PROPERTY OF DIGITAL EQUIPMENT CORPORATION AND SHALL NOT BE REPRODUCED OR COPIED IN WHOLE OR IN PART WITHOUT THE WRITTEN PERMISSION OF THIS COMPANY. DIGITAL EQUIPMENT CORPORATION.

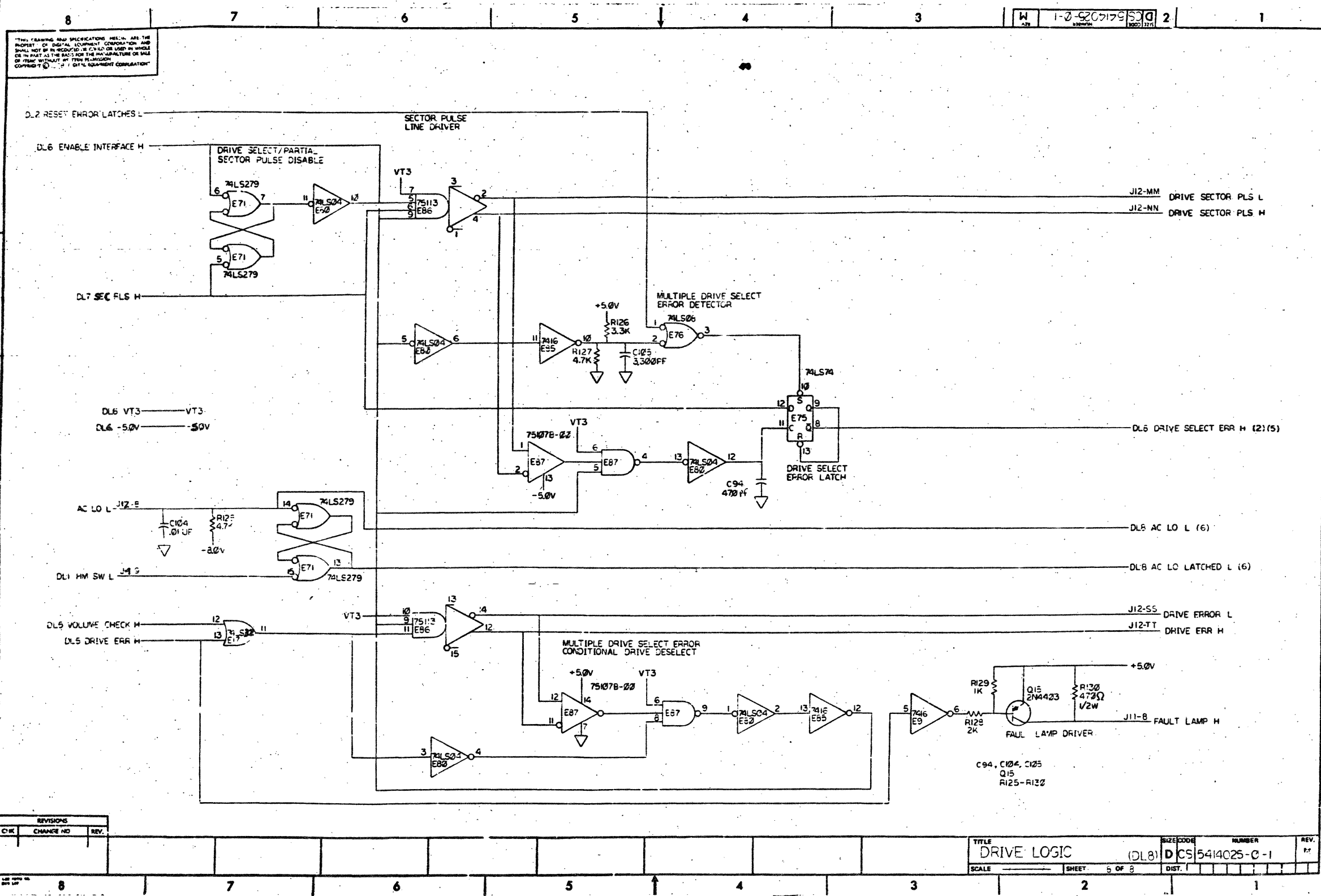
TPI-TPI2, TPI5, TPI6
 R83-R124, R133
 Q5-Q14
 D16-D21
 C1-C73, C96-C103
 NOTE:
 L1-L3 ARE PADS FOR FORMATTER WIRING (NO ASSEMBLED PARTS).

POSITION SIGNAL SAMPLE AND HOLD
 J4-3 POS SIGNAL
 TP15
 TP1

REV.	CHANGE NO.	DESCRIPTION

TITLE	DRIVE LOGIC (INTEGRATOR LOGIC) DL7	SIZE CODE	NUMBER	REV.
SCALE	SHEET 7 OF 8	DIST.		

DCS 5414025-0-1 7 OF 8 RL#2



THIS DRAWING AND SPECIFICATIONS ARE THE PROPERTY OF DIGITAL EQUIPMENT CORPORATION AND SHALL NOT BE REPRODUCED, IN WHOLE OR IN PART, AS THE BASIS FOR THE MANUFACTURE OR SALE OF ITEMS WITHOUT THE WRITTEN PERMISSION OF DIGITAL EQUIPMENT CORPORATION.

REVISIONS		
CHK	CHANGE NO.	REV.

TITLE	DRIVE LOGIC (DL8)	SIZE CODE	D	NUMBER	CS5414025-C-1	REV.	1
SCALE		SHEET	5 OF 8	DIST.			

1-0-5207199-01-1

LINE	ITEM	DOCUMENT NUMBER	PART NUMBER	DESCRIPTION	QUANTITY PER VARIATION
1	1	D-AD-7012111-0-0	7012111-00	BEZEL ASSY	1
2	2	D-AD-7016991-0-0	7016991-00	COVER, SWITCH ASSY.	1
3	3	E-AD-7012114-0-0	7012114-00	DISK MOTOR ASSY	1
4	4	E-AD-7012115-0-0	7012115-00	FRONT COVER ASSY	1
5	5	E-AD-7012116-0-0	7012116-00	MAIN CHASSIS ASSY	1
6	6	D-AD-7012117-0-0	7012117-00	POSITIONER ASSY	1
7	7	D-AD-7015124-0-0	7015124-00	RL02 R/W BOX ASSY	1
8	8	D-AD-7015125-0-0	7015125-00	RL02 REAR COVER ASSY	1
9	9	D-AD-7015116-0-0	7015116-00	SPINDLE ASSY	1
10	10		9006038-01	SCREW,PAN,PHIL 8-32X 7/16 SS	4
11	11	D-IA-7015637-0-0	7015637-00	RL02 DATA HEAD *A*UP	1
12	12	B-AD-7012128-0-0	7012128-00	ACCESS COVER ASSEMBLY	1
13	13	D-AD-7012130-0-0	7012130-00	POWER PANEL ASSEMBLY	1
14	14	B-IA-7012139-0-0	7012139-0F	INTERCONNECT CABLE	2
15	15	B-IA-7014262-0-0	7014262-00	INTERCONNECT CABLE ASSEMBLY	1
16	16	C-IA-7012140-0-0	7012140-00	POWER HARNESS DC	1
17	17	B-IA-7012107-0-0	7012107-3D	INTERCONNECT CABLE	1
18	18	D-MD-7415094-0-0	7415094-00	REAR COVER	1
19	19	C-MD-7415101-0-0	7415101-00	SPRING, PLENUM COVER	2
20	20	C-MD-7415297-0-0	7415297-00	FILTER,PAD	1
21	21	C-MD-7415303-0-0	7415303-00	COVER AC SERVO	1
22	22	C-MD-7416335-0-0	7416335-00	CABLE RETAINER	1
23	23	D-MD-7417450-0-0	7417450-00	HATCH	1
24	24	C-MD-7417454-0-0	7417454-00	BRACKET PLENUM	2
25	25	C-MD-7417455-0-0	7417455-00	LATCH PLENUM	2
26	26	D-UA-5411848-0-0	5411848-00	ETCH BRD 54-11848	1
27	27	D-UA-5413534-0-0	5413534-00	DC SERVO + POWER SUPPLY (RL02)	1
28	28		9006024-01	SCREW,PAN,PHIL 6-32X 1/2 SS	2
29	29	D-AD-7012137-0-0	7012137-00	TRANSDUCER ASSY	1
30	30		1213097-00	FILTER,AIR,HEPA,33CFM	1

REVISION HISTORY			BASIC PART NO: ORL02	DRN: W.GRIMES	DATE: 15 FEB 78	DIGITAL			
ENG!	ECO NUMBER	REV	SECTION A OF A	CHK'D: W.MAJOR	DATE: 15 FEB 78	TITLE PARTS LIST			
---	RL02-CZ002	A	SECTION, VARIATION INDEX			RL02 DISK DRIVE ASSEMBLY			
BM	RL02-CX003	B	[A] 00						
BM	RL02-CX004	C							
KG	RL02-CX006A	D	[B]	DES.ENG.: B.MILLER	DATE: 15 FEB 78				
KG	RL02-CX008	E							
KG	RL02-CX009	F	[C]			DOCUMENT NUMBER			
MZ	RL02-CX010	H		RESP.ENG.: B.MILLER	DATE: 15 FEB 78				
KG	RL02-CX012	J	[D]			SIZE	CODE	NUMBER	REV
KG	RL02-CX013	K	[E]	MFG.ENG.: D.LICK	DATE: 15 FEB 78	K	PL	RL02-0-DBP	K
			[F]	ASSEMBLY NUMBER:	TOP DOCUMENT NUMBER:	FILE NAME:		EDIT #	
				E-UA-RL02-0-0	# B-DD-RL02-0	Z0485K.PLS		21	

*THIS DRAWING AND SPECIFICATIONS HEREIN, ARE THE PROPERTY OF DIGITAL EQUIPMENT CORPORATION AND SHALL NOT BE REPRODUCED OR COPIED OR USED IN WHOLE OR IN PART AS THE BASIS FOR THE MANUFACTURE OR SALE OF ITEMS WITHOUT WRITTEN PERMISSION. COPYRIGHT (C) 1980. DIGITAL EQUIPMENT CORPORATION *

LINE ITEM	DOCUMENT NUMBER	PART NUMBER	DESCRIPTION	QUANTITY PER VARIATION
				00
31	31	1213369-00	BELT,WOVEN,ENDLESS,375WX27,148LG	1
32	32	1213686-01	MOUNTING RAIL FOR 12-13686-00	1
33	33	1214330-00	SPRING,EXTENSION,2.5LGX,360D	1
34	34	9006022-01	SCREW,PAN,PHIL 6-32X 3/8 SS	2
35	35	9006035-01	SCREW,PAN,PHIL 8-32X 1/4 SS	6
36	36	9006037-01	SCREW,PAN,PHIL 8-32X 3/8 SS	13
37	37	9006039-01	SCREW,PAN,PHIL 8-32X 1/2 SS	12
38	38	9006633-00	WASHER,LOCK,INT,.2800D X .146ID	4
39	39	9006634-00	WASHER,LOCK,INT,.2300D X .172ID	15
40	40	9006636-00	WASHER,LOCK,INT,.3800D X .200ID	3
41	41	9007079-00	CLAMP, CABLE, SCREW MNT, 1/8"	4
42	42	9008955-01	SCREW,PAN,PHIL 10-32X 15/16SS	3
43	43	D-IA-7015637-0-0	7015637-01 RLO2 DATA HEAD "A" DN	1
44	44	9009884-00	WASHER, FLAT, DELRIN .62 OD X.31	4
45	45	9009885-00	WASHER, SPRING	2
46	46	B-MD-7420084-0-0	7420084-00 SHIM, LATCH	A/R
47	47	C-MD-7416865-0-0	7416865-00 BRACKET LATCH	1
48	48	D-MD-7420826-0-0	7420826-00 COVER, DC SERVO BOARD	1
49	49	9006040-01	SCREW,PAN,PHIL 8-32X 5/8 SS	2
50	50	9006653-00	WASHER, FLAT, .375 O.D. X .156 I	3
51	51	1214359-00	WASHER,FLAT,S/S .169ID X .620D X	2
52	52	9006660-00	WASHER, FLAT, .375 O.D. X .187 I	11
53	53	9009759-00	SCREW,FLAT,PHIL, 8-32X 3/8	2
54	54	9006454-00	RIVET, BLIND, .156 DIA X .254 LG	10
55	55	B-MD-7420084-0-0	7420084-01 SHIM LATCH	A/R
56	56	3700406-00	INSTR PKG DISK RLO1 DRIVE	1
57	57	9007649-00	WASHER, LOCK, EXTERNAL TOOTH #6	5
58	58	9006021-01	SCREW,PAN,PHIL 6-32X 5/16 SS	4
59	59	9008072-00	WASHER, LOCK, EXTERNAL TOOTH #8	21
60	60	9009974-00	WASHER, FLAT, METAL, .62 O.D. X .	2
61	61	3613209-03	LABEL,ELECTRICAL DATA VARIATIO	1
62	62	D-MD-7420068-0-0	7420068-00 SHIELD POSITIONER	1
63	63	3614783-00	LABEL,ADH BACK "DANGER HIGH VOLT	1
64	64	A-DC-7416197-0-0	7416197-02 LABEL, UL	1
65	65	3613211-01	DECAL,CLEAR PREPRINTED CSA 1-1/4	1
66	66	3615687-00	LABEL,ADHESIVE BACK FOR RLO2	1
67	67	3615393-05	LABEL,RUB-ON,RLO2	1
68	68	3618098-01	LABEL,ATTENTION SHIPPING HDW	1
69	69	9006418-01	SCREW,TAPPING,TYPE TT,PAN,PHIL,	2
70	70	B-MD-7422834-0-0	7422834-00 INSULATOR,HEAD CABLE	1
71	71	9009023-00	WASHER,LOCK,INT,.3300D X .172ID	2
72	72	C-IA-7017608-0-0	7017608-00 *** THIS ITEM IS NOT USED ***	-
73	73	B-IA-7017609-0-0	7017609-00 *** THIS ITEM IS NOT USED ***	-

TITLE	SIZE	CODE	DOCUMENT NUMBER	REV
D I G I T A L RLO2 DISK DRIVE ASSEMBLY			SECTION A OF A	
	K	FL	RL02-0-DBP	K

LINE ITEM	DOCUMENT NUMBER	PART NUMBER	DESCRIPTION	QUANTITY PER VARIATION
1		9006070-01	SCREW,PAN,PHIL 10-32X 5/16 SS	4
2	D-IA-7416326-0-0	7416326-00	CHASSIS	1
3		9006028-01	SCREW,PAN,PHIL 6-32X1 SS	1
4	C-AD-7012127-0-0	7012127-00	CHASSIS ASSY	1
5		9008072-00	WASHER, LOCK, EXTERNAL TOOTH #8	4
6		1210430-00	BRACKET,CAPACITOR,2"	1
7		1210431-00	BRACKET,CAPACITOR,3-1/16"	1
8		1213156-01	BRACKET,CAPACITOR,WRAP-AROUND	1
9		9007016-00	GROMMET, RUBBER	1
10		1213683-00	BOOT,CAPACITOR,RUBBER	1
11		9007113-00	*** THIS ITEM IS NOT USED ***	-
12		9009768-01	BUSHING,STRAIN RELIEF .280-.393W	1
13		9007082-00	CLAMP,CABLE,SCREW MTD. 5/16"	3
14		9009800-01	SCREW,PAN,PHILLIPS, 6X7/8 SELF-	4
15		9009059-01	TAPE,FOAM, 1/2W X 1/4THK W/ ADH	A/R
16		9006020-01	SCREW,PAN,PHIL 6-32X 1/4 SS	12
17		9006023-01	SCREW,PAN,PHIL 6-32X 7/16 SS	3
18		9006036-01	SCREW,PAN,PHIL 8-32X 5/16 SS	4
19		9006027-01	SCREW,PAN,PHIL 6-32X 7/8 SS	3
20		1013102-00	10 MFD 370VAC 6% PAPER/OIL	1
21	D-IA-7012108-0-0	7012108-00	POWER PANEL HARNESS	1
22		1215360-00	FILTER,LINE,115/250V,47-400HZ, F	1
23		9006633-00	WASHER,LOCK,INT,.2800D X .146ID	11
24		1216827-00	CKT BKR 2.5 A 250V 2P MAGNETIC	1
25		1209403-01	FAN,115CFM,SLEEVE BRNG	1
26	B-IA-7012110-0-0	7012110-00	HARNESS AC-TB	1
27		1210263-00	GUARD,FINGER 4.125 X 4.125 MTG H	1
28		1613897-00	XFMR P=AB S=11.5@6A	1
29		1110051-00	DM 16 ASSY@200V & 25A #990-3	1
30		1013530-00	66,000 MFD 30V +75-10% AL EL	1

REVISION HISTORY		BASIC PART NO:	ORLO1	DRN:	D. MELCHOIR	DATE:	12-AUG-76	DIGITAL	
ENG	ECD NUMBER	REV	SECTION A OF A	CHK'D:	G. SCHNEIDER	DATE:	24-AUG-77	TITLE	PARTS LIST
KG	7012130-CX010	P	SECTION. VARIATION INDEX						
KG	RL02-CX008	R	[A] 00					POWER PANEL ASSEMBLY	
KG	7012130-CX011	S							
MZ	RL02-CX010	T	[B]	DES.ENG.:	G. SCHNEIDER	DATE:	24-AUG-77		
KG	7012130-CX012	U							
IW	7012130-CX013	V	[C]	RESP.ENG.:	F. ARNOLD	DATE:	30-AUG-77	DOCUMENT NUMBER	
			[D]					SIZE	CODE
			[E]	MFG.ENG.:	B. RYLANDER	DATE:	30-AUG-77	K	PL
			[F]	ASSEMBLY NUMBER:		TOP DOCUMENT NUMBER:		FILE NAME:	EDIT #
				D-AD-7012130-0-0		B-DD-RL02-0		Z0849V.PLS	17

*THIS DRAWING AND SPECIFICATIONS HEREIN, ARE THE PROPERTY OF DIGITAL EQUIPMENT CORPORATION AND SHALL NOT BE REPRODUCED OR COPIED OR USED IN WHOLE OR IN PART AS THE BASIS FOR THE MANUFACTURE OR SALE OF ITEMS WITHOUT WRITTEN PERMISSION. COPYRIGHT (C) 1980. DIGITAL EQUIPMENT CORPORATION *

LINE	ITEM	DOCUMENT NUMBER	PART NUMBER	DESCRIPTION	QUANTITY PER VARIATION
					00
31	31		1013531-00	20,000 MFD 40V +75-10% AL EL	1
32	32	B-IA-7012109-0-0	7012109-00	POWER HARNESS	1
33	33		9006560-00	NUT,KEF 6-32 X5/16AF	6
34	34	C-IA-7012142-0-0	7012142-00	CABLE	1
35	35	B-IA-7012125-0-0	7012125-0E	INTERCONNECT CABLE	1
36	36	B-IA-7012125-0-0	7012125-0B	TR INTERCONNECTOR HARNESS	1
37	37		9006653-00	WASHER, FLAT, .375 O.D. X .156 T	7
38	38		9009800-06	SCREW,PAN,PHILLIPS, 6X.38	3
39	39		9006635-00	WASHER,LOCK,INT,.3100D X .200ID	4
40	40		9007649-00	WASHER, LOCK, EXTERNAL TOOTH #6	8
41	41		9006021-01	SCREW,PAN,PHIL 6-32X 5/16 SS	4
42	42		1211591-35	CONN,ZIF 40PIN RCPT ASSY	2
43	43		1211591-38	CONN,ZIF 40PIN RCPT,SWAP IN GU	4
44	44		9008301-01	SCREW,PAN,PHIL 4-40X 1/4 SS	4
45	45	B-IA-7017609-0-0	7017609-00	GROUND HARNESS	1
46	46	C-IA-7017608-0-0	7017608-00	GROUND HARNESS	1
47	47		9009255-00	LABEL, POWER SUPPLY, 2-15/16 * L	1
48	48		3612680-00	DECAL, GROUND SIGN PER 3E6 *	2

D	I	G	I	T	A	L	TITLE	POWER PANEL ASSEMBLY	SECTION A	OF A	SIZE	CODE	DOCUMENT NUMBER	REV
											K	PL	7012130-0-DBP	V

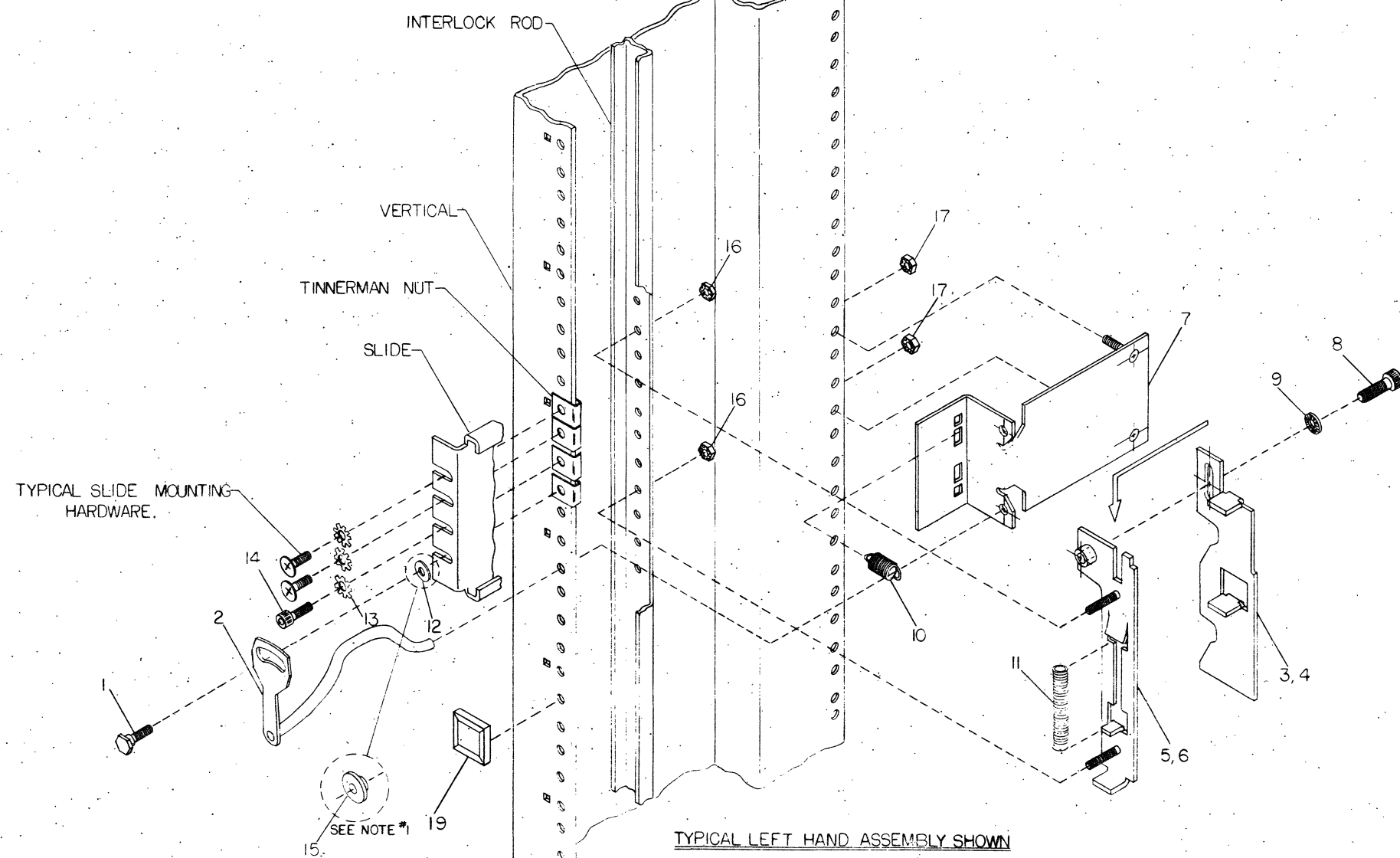
THIS DRAWING AND SPECIFICATIONS, HEREIN, ARE THE PROPERTY OF SPERRY, GERRARD, CORPORATION AND ARE NOT TO BE REPRODUCED, COPIED, OR TRANSMITTED IN ANY FORM OR BY ANY MEANS, ELECTRONIC OR MECHANICAL, INCLUDING PHOTOCOPYING, RECORDING, OR BY ANY INFORMATION STORAGE AND RETRIEVAL SYSTEM.

LEGEND

PART NO.	VARIATION
7013688-0	LEFT HAND
7013688-1	RIGHT HAND

NOTE:

- USE ITEM 15 (SHOULDER, WASHER) IN PLACE OF ITEM 1 (FLAT WASHER) WHEN ITEM 1 (RETAINER INTERLOCK) IS NOT MOUNTED THROUGH A SLIDE MOUNTING HOLE.
- ASSEMBLE ITEM 9 (SPRING, WASHER) WITH CONVEX SIDE TOWARD ITEM 3, 4 (PLATE, CAM).
- CABINET EQUIPMENT MOUNTING HOLES ARE NUMBERED CONSECUTIVELY FROM THE BOTTOM UP. A SQUARE HOLE IS PROVIDED EVERY FIFTH MOUNTING HOLE TO AID IN COUNTING. WITH STABILIZER ARM PUSHED IN, THE INTERLOCK ROD HOLE PATTERN LINES UP WITH THE VERTICAL MOUNTING HOLES AND IS NUMBERED THE SAME.
- ITEM 14 MUST ALWAYS BE USED ADJACENT TO ITEM 1.
- WHEN INSTALLING CABINET TRIM STRIPS, MAKE SURE THEY DON'T INTERFERE WITH INTERLOCK OPERATION.



INSTRUCTIONS

- THE SYSTEM DOCUMENTATION WILL SPECIFY THE INTERLOCK LOCATION AND ASSEMBLY BY LETTER AND NUMBER CODE.
- THE FIRST LETTER OF THE CODE SPECIFIES THE DIRECTION IN WHICH THE CHURCH KEY ASSEMBLY MUST BE INSTALLED. 'U' SPECIFIES UP (AS SHOWN ON PRINT) AND 'D' SPECIFIES DOWN.
 - THE SECOND LETTER (IF ANY) SPECIFIES WHICH OF THE TWO CAM PLATE NOTCHES ENGAGES WITH THE CHURCHKEY ASSEMBLY. IF NO LETTER APPEARS, WE CALL THIS THE NORMAL ASSEMBLY POSITION AND USE THE LOWER NOTCH. IF THE LETTER 'S' APPEARS, WE CALL THIS THE SPECIAL ASSEMBLY POSITION AND USE THE UPPER NOTCH.
 - THE NUMBER AT THE END OF THE INSTALLATION CODE SPECIFIES THE CABINET MOUNTING HOLE FOR THE ITEM 1 (INTERLOCK RETAINER). ALL OTHER PARTS OF THE ASSEMBLY ARE REFERENCED FROM THIS HOLE USING THE CHART BELOW.

DIRECTION / NOTCH SPECIFICATION	BACK PLATE: LOCATION OF TOP MOUNTING STUD	OUTRIGGER: LOCATION OF TOP MOUNTING STUD
U	X + 4	X
US	X	X
D	X + 6	X + 3
DS	X + 2	X + 3

NOTE: 'X' IS THE SPECIFIED INTERLOCK RETAINER LOCATION.

TYPICAL LEFT HAND ASSEMBLY SHOWN

RECOMMENDED ASSEMBLY SEQUENCE

- PUSH STABILIZER ARM IN.
- ASSEMBLE ITEM 5, 6 AND 11 ONTO INTERLOCK ROD USING ITEMS 16.
- ASSEMBLE ITEM 3, 4 ONTO ITEM 5, 6 USING ITEMS 8 AND 9. TIGHTEN ITEM 8 ONLY AFTER DEPRESSING ITEM 3, 4 AGAINST SPRING AS FAR AS POSSIBLE.
- HOOK ITEM 10 INTO ITEM 7. USE UPPER SLOT FOR 'U' ASSEMBLIES AND LOWER SLOT FOR 'D' ASSEMBLIES. INSTALL ITEM 7 ONTO CABINET VERTICAL USING ITEMS 17, TORQUE TO 80 MAX INCH-POUNDS.
- INSTALL ITEM 2 REMEMBERING TO PASS THROUGH ITEM 10 BEFORE ENGAGING ITEM 7.
 - AT THIS POINT IN THE ASSEMBLY, PROCEDURES FOR NORMAL ASSEMBLY AND SPECIAL ASSEMBLY DIFFER.
 - NORMAL ASSEMBLY
 - MOUNT SLIDE USING ITEMS 1, 2, 3, 4 AND TYPICAL SLIDE MOUNTING HARDWARE.
 - ADJUST INTERLOCK BY LOOSENING ITEM 8, ALLOWING ITEM 3, 4 TO ASSUME ITS PROPER POSITION AND RETIGHTEN ITEM 8 TO 75 INCH-POUNDS.
 - SPECIAL ASSEMBLY
 - INSTALL ITEM 1 AND 15 WITHOUT SLIDE.
 - ADJUST INTERLOCK BY LOOSENING ITEM 8, ALLOWING ITEM 3, 4 TO ASSUME ITS PROPER POSITION AND RETIGHTEN ITEM 8 TO 70 ± 30 INCH-POUNDS.
 - REMOVE ITEM 1, 15.
 - MOUNT SLIDE USING ITEMS 1, 2, 3, 4 AND TYPICAL SLIDE MOUNTING HARDWARE.
 - CHECK INTERLOCK FOR PROPER OPERATION BY SLIDING THE STABILIZER ARM IN AND OUT.

- CHECK INTERLOCK FOR PROPER OPERATION BY SLIDING THE STABILIZER ARM IN AND OUT.
- BOTH SPECIAL AND NORMAL ASSEMBLIES - INSTALL ITEMS 19, ONE ON EACH VERTICAL MOUNTING RAIL (BOTH SIDES OF EQUIPMENT), IN THE PLACES WHERE THE REAR MOST PART OF THE BEZEL WOULD NORMALLY STRIKE. ITEMS 19 MUST NOT INTERFERE WITH ITEM 2 (ASSEMBLY, CHURCHKEY) OR TRIM STRIPS.

CAUTION: OFF PRINT PARTS LIST A-PL-7013688-0-0

DATE: 11-15-74
 CHK'D: H. STONE
 DESIGNED: H. STONE
 DRAWN: H. STONE

DESCRIPTION		DIM. PART NO.		ITEM NO.	
ANGLE OF SURFACE QUALITY	CLASS OF ACCURACY (CHECK ONE)	ASSEMBLY	FINISH	QUANTITY	REVISION
QUANTITY & VARIATION	MICROFINISHES (PREFERRED)	ASSEMBLY	FINISH	QUANTITY	REVISION
THIRD ANGLE PROJECTION	DRN. R. J. OLSON 2-12-74	FIRST USED ON	H3500-A	QUANTITY	REVISION
REMOVE BURRS AND BREAK SHARP CORNERS	PROL. ENGR. H. STONE	TITLE	INTERLOCK KIT (MARK III)	QUANTITY	REVISION
DO NOT SCALE DIMS	SEE PARTS LIST	SCALE	NONE	QUANTITY	REVISION
FINISH	NONE	SCALE	NONE	QUANTITY	REVISION