

"THE MATERIAL HEREIN IS FOR INFORMATION PURPOSES ONLY AND IS SUBJECT TO CHANGE WITHOUT NOTICE. DIGITAL EQUIPMENT CORPORATION ASSUMES NO RESPONSIBILITY FOR ANY ERRORS WHICH MAY APPEAR HEREIN."

## FIELD MAINTENANCE PRINT SET

"THIS DRAWING AND SPECIFICATIONS, HEREIN, ARE THE PROPERTY OF DIGITAL EQUIPMENT CORPORATION AND SHALL NOT BE REPRODUCED OR COPIED OR USED IN WHOLE OR IN PART AS THE BASIS FOR THE MANUFACTURE OR SALE OF ITEMS WITHOUT WRITTEN PERMISSION. COPYRIGHT © 1982, DIGITAL EQUIPMENT CORPORATION."

### TABLE OF CONTENTS

| DWG. NUMBER        | DESCRIPTION                        |
|--------------------|------------------------------------|
| E-UA-RA80-C-0      | RA80 IN H9642-B CAB                |
| K-PL-RA90-C-DBP    | RA80 IN H9642-B CAB                |
| D-AD-7018330-0-0   | DISK DRIVE ASSEMBLY                |
| K-PL-7018330-0-DBP | DISK DRIVE ASSEMBLY                |
| D-AD-7018446-0-0   | BASIC DISK DRIVE ASSEMBLY          |
| K-PL-7018446-0-DBP | BASIC DISK DRIVE ASSEMBLY          |
| C-AD-7016795-0-0   | HDA - R/W MODULE ASSEMBLY          |
| K-PL-7016795-0-DBP | HDA - R/W MODULE ASSEMBLY          |
| D-UA-H766-0-0      | H766 POWER SUPPLY ASSEMBLY         |
| K-PL-H766-0-DBP    | H766 POWER SUPPLY ASSEMBLY         |
| D-CS-H766-0-2      | H766 POWER SUPPLY                  |
| D-UA-5413624-0-0   | REGULATOR BOARD                    |
| K-PL-5413624-0-DBP | REGULATOR BOARD                    |
| D-CS-5413624-0-2   | REGULATOR BOARD                    |
| E-UA-5413626-0-0   | CAPACITOR BOARD                    |
| K-PL-5413626-0-DBP | CAPACITOR BOARD                    |
| D-CS-5413626-0-1   | CAPACITOR BOARD                    |
| D-AD-7016773-0-0   | LOGIC CHASSIS ASSEMBLY             |
| K-PL-7016773-0-DBP | LOGIC CHASSIS ASSEMBLY             |
| D-AD-7016741-0-0   | LOWER CHASSIS ASSEMBLY             |
| K-PL-7016741-0-DBP | LOWER CHASSIS ASSEMBLY             |
| E-UA-5415284-0-0   | RA80 MICROPROCESSOR                |
| K-PL-5415284-0-DBP | RA80 MICROPROCESSOR                |
| C-CS-5415284-0-1   | RA80 MICROPROCESSOR                |
| D-AD-7018324-0-0   | OPERATOR CONTROL PANEL ASSEMBLY    |
| K-PL-7018324-0-DBP | OPERATOR CONTROL PANEL ASSEMBLY    |
| D-UA-5414927-0-0   | RA80 OPERATOR CONTROL PANEL        |
| K-PL-5414927-0-DBP | RA80 OPERATOR CONTROL PANEL        |
| D-CS-5414927-0-1   | RA80 OPERATOR CONTROL PANEL        |
| D-CS-5414927-0-2   | RA80 OPERATOR CONTROL PANEL        |
| D-AD-7016976-0-0   | SERVO BOARD AND STIFFENER ASSEMBLY |

UNIT VARIATIONS COVERED BY THIS PRINT SET

RA80-CA  
RA80-CD

RA80-C  
Field Maintenance  
Print Set

Digital Equipment  
Corporation

Print Set Part Number **MP-01286**

| REVISION HISTORY |                                  | DRN.             | DATE                  | TITLE                          |                  |
|------------------|----------------------------------|------------------|-----------------------|--------------------------------|------------------|
| REV.             | A                                | <i>K. Davis</i>  | 23 FEB 82             | digital<br>RA80 IN H9642-B CAB |                  |
| ECO NUMBER       | RELEASED TO ECO CONTROL AT REV A | CHK'D.           | <i>J. Miller</i>      |                                | DATE<br>7 MAR 82 |
| DATE             |                                  | DES. ENG.        | <i>R. Duchane</i>     |                                | DATE<br>4 MAR 82 |
|                  |                                  | RESP. ENG.       | <i>Mathisami B.A.</i> |                                | DATE<br>8 Mar 82 |
|                  |                                  | FIELD SERVICE    | <i>Edward L. ...</i>  |                                | DATE<br>1 MAR 82 |
|                  |                                  | NEXT HIGHER DOC. | <i>+ + +</i>          |                                |                  |
|                  |                                  |                  |                       | DOCUMENT NUMBER                |                  |
| SIZE             | CODE                             | NUMBER           | P2V.                  |                                |                  |
| B                | TC                               | RA80-C-1         | A                     |                                |                  |
|                  |                                  |                  |                       | SHEET 1 OF 2                   |                  |

REV. A  
SIZE CODE B TC RA80-C-1

"THIS DRAWING AND SPECIFICATIONS, HEREIN, ARE THE PROPERTY OF DIGITAL EQUIPMENT CORPORATION AND SHALL NOT BE REPRODUCED OR COPIED OR USED IN WHOLE OR IN PART AS THE BASIS FOR THE MANUFACTURE OR SALE OF ITEMS WITHOUT WRITTEN PERMISSION. 1982, COPYRIGHT © DIGITAL EQUIPMENT CORPORATION"

| DWG. NUMBER        | DESCRIPTION                          |
|--------------------|--------------------------------------|
| K-PL-7016976-0-DBP | SERVO BOARD AND STIFFENER ASSEMBLY   |
| E-UA-5414014-0-0   | SERVO CONTROL                        |
| K-PL-5414014-0-DBP | SERVO CONTROL                        |
| D-CS-5414014-0-1   | SERVO CONTROL                        |
| E-UA-5413596-0-0   | READ/WRITE 1                         |
| K-PL-5413596-0-DBP | READ/WRITE 1                         |
| D-CS-5413596-0-1   | READ/WRITE                           |
| D-BD-5413596-0-2   | READ/WRITE                           |
| D-UA-5413643-0-0   | HDA PCB 1                            |
| K-PL-5413643-0-DBP | HDA PCB 1                            |
| D-CS-5413643-0-1   | HDA PCB 1                            |
| D-AD-7018327-0-0   | PERSONALITY BOARD AND STIFF ASSEMBLY |
| K-PL-7018327-0-DBP | PERSONALITY BOARD AND STIFF ASSEMBLY |
| D-UA-5414923-0-0   | RABO PERSONALITY                     |
| K-PL-5414923-0-DBP | RABO PERSONALITY                     |
| D-CS-5414923-0-1   | RABO PERSONALITY                     |

THIS DRAWING AND SPECIFICATIONS HEREIN ARE THE PROPERTY OF DIGITAL EQUIPMENT CORPORATION AND SHALL NOT BE REPRODUCED OR COPIED OR USED IN WHOLE OR IN PART AS THE BASIS FOR THE MANUFACTURE OR SALE OF ITEMS WITHOUT WRITTEN PERMISSION.  
 COPYRIGHT © 1981, DIGITAL EQUIPMENT CORPORATION

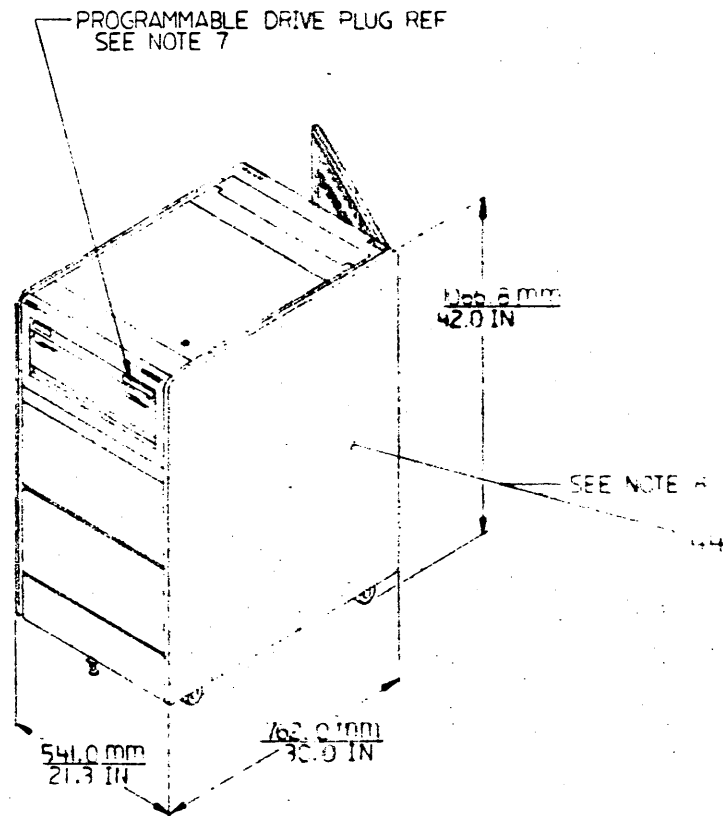
| TABLE A  |                             |                            |           |
|----------|-----------------------------|----------------------------|-----------|
| ITEM NO. | MOUNTING HOLE               |                            | VARIATION |
|          | RIGHT REAR VERTICAL UPRIGHT | LEFT REAR VERTICAL UPRIGHT |           |
| 5        | 2, 5                        |                            | ALL       |
| 9        | 14, 56                      |                            | ALL       |
| 46       |                             | 7                          | ALL       |

| LEGEND    |                         |       |       |      |      |  |
|-----------|-------------------------|-------|-------|------|------|--|
| VARIATION | DESCRIPTION             | VOLT  | FREQ  | AMPS | WIRE |  |
| RA80-CA   | ONE RA80 IN H9642-B CAB | 120 V | 60 HZ | 7.1  | 2+G  |  |
| RA80-CD   | ONE RA80 IN H9642-B CAB | 240 V | 50 HZ | 3.55 | 2+G  |  |

MODEL RA80-CA SN:  
 60 HZ 120V~  
 2+G W 7.1A

DETAIL G  
 SCALE: NONE  
 SEE NOTE 6

- NOTES:
- REMOVE EXISTING HARDWARE FROM DRIVE POWER SUPPLY AND REINSTALL, MOUNTING CABLE CLAMP (ITEM 17).
  - LOCATE CABLE TIES (ITEM 28) APPROXIMATELY 6" APART. SEE PARTS LIST FOR QUANTITIES PER VARIATION. USE MINIMUM SETTING ON TOOL NO. WT193 FOR TIGHTENING CLAMPS, OR EQUIVALENT.
  - USE EXISTING SCREWS ON STRAIN RELIEF (PROVIDED WITH DRIVE) TO MOUNT CABLE CLAMPS (ITEM 27).
  - DRIVE SPINDLE SEQUENCE PLUG (ITEM 30) INSTALLS AT "IN" POSITION, SEE DETAIL C SHEET 2.
  - SI CABLE (ITEM 31) ASSEMBLES TO OTHER CABINETS CONFIGURED WITH CPU + UDA.
  - MANUFACTURING ORGANIZATION TO COMPLETE LABEL INFORMATION ACCORDING TO LEGEND. (DETAIL G SHOWS MODEL RA80-CA AS EXAMPLE ONLY)
  - THIS SHOWN FOR REFERENCE ONLY. REFER TO THE RA80 DISK DRIVE USERS GUIDE P/N EK-0RA80-UG FOR INSTALLATION OR PROCEDURE.
  - IF STAND ALONE CABINET USE OPTIONAL SIDE PANELS (ITEM 14) H9544-AA, QTY 2 (ATTACH GND STRAP TO SIDE HOLE #53).
  - REFER TO THE UDA50 DISK CONTROLLER USERS GUIDE PART NO. EK-UDA50-UG.
  - FOR DRIVE SPINDLE SEQUENCE IN ANOTHER CABINET ORDER EXTERNAL DRIVE SEQUENCE CABLE ASSY PART NO. 7018458-(XX), (CHECK OPTIONAL LENGTHS OFFERED).
  - ASSURE CABLE SHIELD IS ONLY GROUNDED THRU P.C. BOARD .1µf CAP. NOT DIRECTLY TO CHASSIS GND.
  - ASSEMBLY CRITERIA PER DEC STD-116 SECS 4.5&7.
  - GENERAL TORQUE REQUIREMENTS PER A-SP-7665328-0-0.
  - DRESS CABLES AND/OR EXCESS TO VERTICAL UPRIGHTS AS CLOSE AS POSSIBLE, THIS WILL AVOID SNAGGING OR INTERFERENCE WITH FUTURE ADD-ON SLIDE MTD. DISK DRIVE.

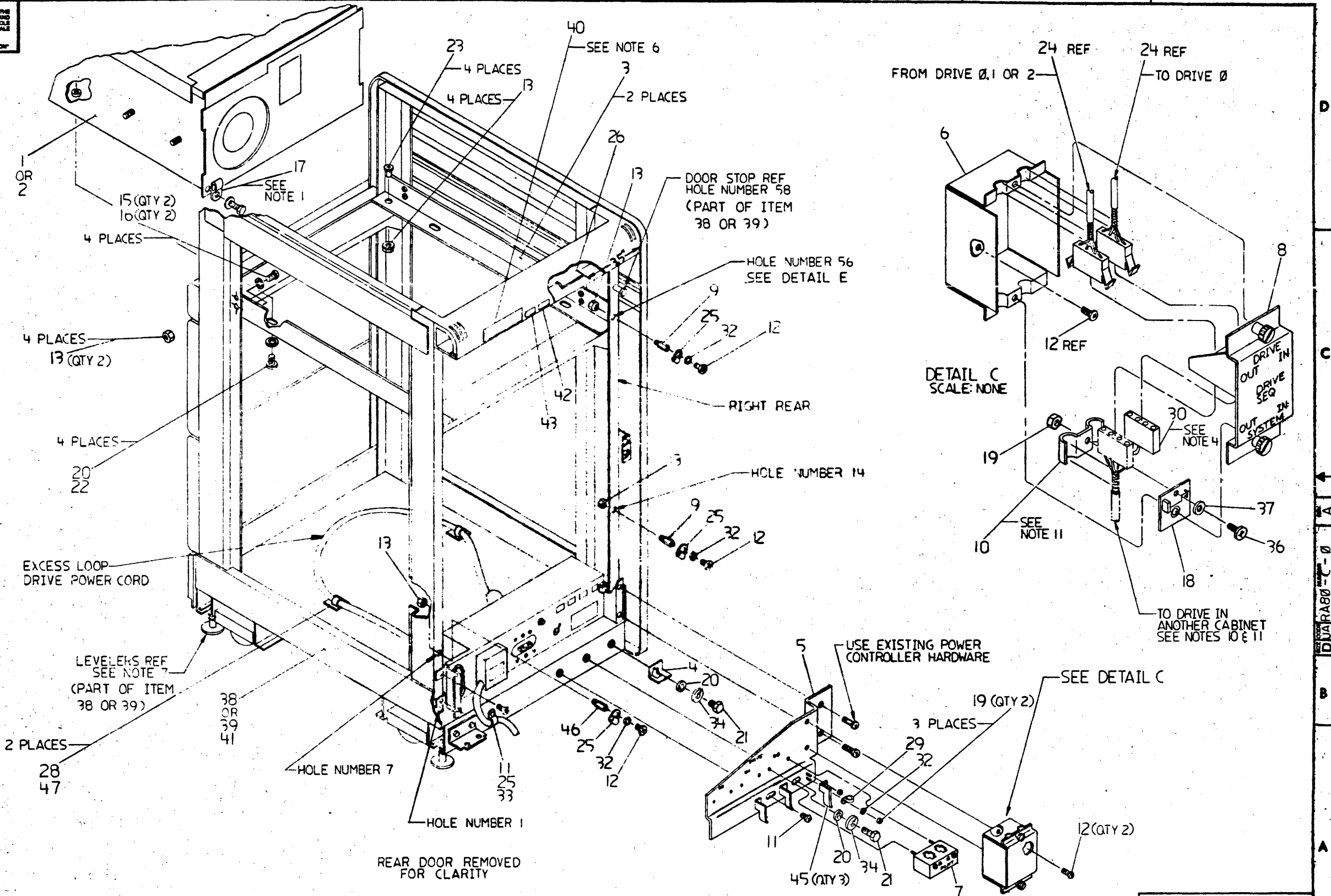


CAUTION: OFF SHEET PARTS LIST EXISTS  
 SEE K-PL-RA80-C-DBP (Z2867).

| REV. | DESCRIPTION                               |
|------|---|
| A    | RELEASED TO I/O CONTROL PER P.C. RA80-041 |

| DESCRIPTION  | DRAWING NO.     | PART NO.                   | ITEM NO. |         |        |
|--|-----------------|----------------------------|----------|---------|--------|
| UNLESS OTHERWISE SPECIFIED DIMENSIONS ARE IN INCHES AND THE FOLLOWING TOLERANCES APPLY (PER DEC STD 114) |                 |                            |          |         |        |
| INCHES TOLERANCES  | ANGLES ± 0° 30' | APPLICABLE DIMENSION RANGE |          |         |        |
|  |                 | OVER                       | OVER     | OVER    | OVER   |
| X = ± .1   | SURFACE QUALITY | TO                         | TO       | TO      | TO     |
| XX = ± .02   |                 | 0.2                        | 1.2      | 4.0     | 12.0   |
| XXX = ± .006   | ✓               | 1.2                        | 4.0      | 12.0    | 40.0   |
|  | MICROINCHES     | ± .004                     | ± .008   | ± .012  | ± .016 |
| THIRD ANGLE PROJECTION   | DATE            | TITLE                      |          |         |        |
| DO NOT SCALE DRAWING   | DATE            | RA80 IN H9642-B CAB        |          | digital |        |
| REMOVE BURRS AND BREAK SHARP CORNERS   | DATE            | DOCUMENT NUMBER            |          |         |        |
| MATERIAL   | DATE            | DUA RA80-C-0               |          | REV     |        |
| SEE PARTS LIST   | DATE            | B-DD-RA80-C                |          | A       |        |
| FINISH   | DATE            | SCALE                      |          | OF 3    |        |

THIS DRAWING AND SPECIFICATIONS HEREBY ARE THE PROPERTY OF DIGITAL EQUIPMENT CORPORATION AND SHALL NOT BE REPRODUCED OR COPIED IN WHOLE OR IN PART AS THIS DESIGN FOR THE MANUFACTURE OR SALE OF ITEMS WITHOUT WRITTEN PERMISSION. COPYRIGHT © 1971, DIGITAL EQUIPMENT CORPORATION



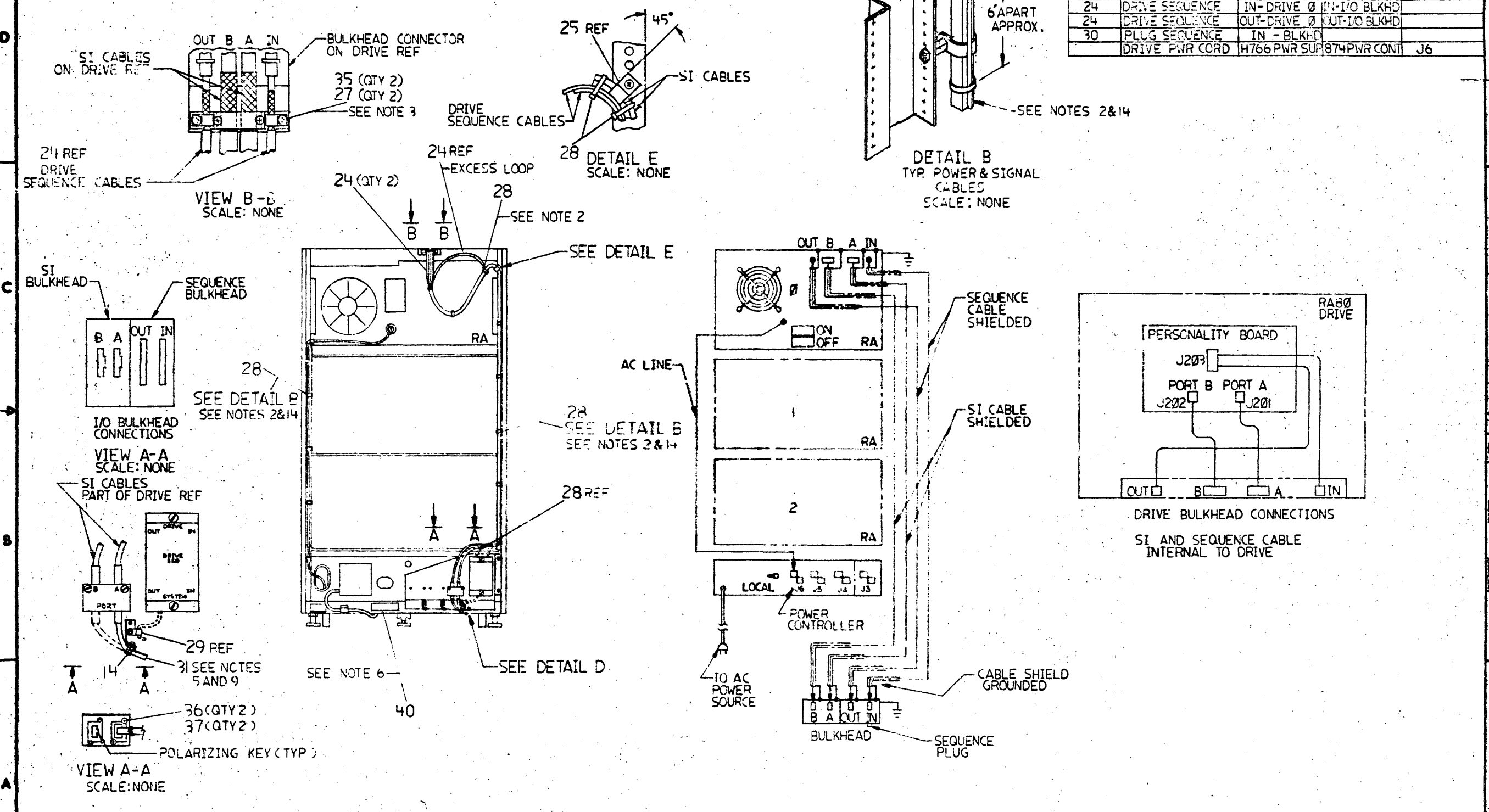
| REVISION HISTORY |            |      |
|------------------|------------|------|
| DATE             | ECO NUMBER | REV. |
|                  |            |      |
|                  |            |      |

TITLE  
RA80 IN H9642-B CAB

| DOCUMENT NUMBER |      |              |      |
|-----------------|------|--------------|------|
| SIZE            | CODE | NUMBER       | REV. |
| D               | U    | RA80-C-0     | A    |
| SCALE           |      | SHEET 2 OF 3 |      |

THIS DRAWING AND SPECIFICATIONS HEREBY ARE THE PROPERTY OF THE UNITED STATES GOVERNMENT. IT IS TO BE REPRODUCED AS SHOWN UNLESS OTHERWISE SPECIFIED. IT IS TO BE RETURNED TO THE OFFICE OF ORIGIN UPON COMPLETION OF USE. COPYRIGHT © 1981 DIGITAL EQUIPMENT CORPORATION

| CABLE CHART |                |              |               |               |
|-------------|----------------|--------------|---------------|---------------|
| ITEM NO     | DESCRIPTION    | FROM         | TO            | REMARKS       |
|             | SI CABLE       | A-DRIVE 0    | A-I/O BLKHD   | PART OF DRIVE |
|             | SI CABLE       | B-DRIVE 0    | B-I/O BLKHD   | PART OF DRIVE |
| 24          | DRIVE SEQUENCE | IN-DRIVE 0   | IN-I/O BLKHD  |               |
| 24          | DRIVE SEQUENCE | OUT-DRIVE 0  | OUT-I/O BLKHD |               |
| 30          | PLUG SEQUENCE  | IN - BLKHD   |               |               |
|             | DRIVE PWR CORD | H766 PWR SUP | B74PWR CONT   | J6            |



| REVISION HISTORY |            |      |
|------------------|------------|------|
| DATE             | ECO NUMBER | REV. |
|                  |            |      |

|                     |  |                 |              |
|---------------------|--|-----------------|--------------|
| TITLE               |  | DOCUMENT NUMBER |              |
| RA80 IN H9642-B CAB |  | SIZE            | NUMBER       |
|                     |  | DUA RA80-C-0    | A            |
|                     |  | SCALE           | SHEET 3 OF 3 |

| LINE ITEM | DOCUMENT NUMBER | PART NUMBER      | DESCRIPTION | QUANTITY PER VARIATION           |       |
|-----------|-----------------|------------------|-------------|----------------------------------|-------|
|           |                 |                  |             | CA                               | CD    |
| 1         | 1               | D-AD-7018330-0-0 | 7018330-00  | DISK DRIVE ASSEMBLY              | 1 -   |
| 2         | 2               | D-AD-7018330-0-0 | 7018330-01  | RABO DRIVE 50HZ                  | - 1   |
| 3         | 3               |                  | 7425325-00  | MOUNTING ANGLE                   | 2 2   |
| 4         | 4               |                  | 7425161-00  | END PANEL LOCK                   | 1 1   |
| 5         | 5               |                  | 7425960-01  | BRACKET,BULK,HEAD MTG            | 1 1   |
| 6         | 6               |                  | 7426086-01  | BOX,SEQUENCE                     | 1 1   |
| 7         | 7               |                  | 7018340-01  | I/O BULKHEAD DRIVE MODULE        | 1 1   |
| 8         | 8               |                  | 7018486-01  | COVER, SHELF ASSEMBLY            | 1 1   |
| 9         | 9               |                  | 9000001-19  | STANDOFF,HEX,M/F 10-32X 6-32 1   | 2 2   |
| 10        | 10              |                  | 9010333-01  | CLAMP,DUAL TUBE .093DIA          | 1 1   |
| 11        | 11              |                  | 9009700-00  | SCREW,TRUS,PHIL,SEMS10-32X .500L | 2 2   |
| 12        | 12              |                  | 9009984-00  | SCREW, SEMS, PHILLIPS PAN HD. 6- | 5 5   |
| 13        | 13              |                  | 9006565-00  | NUT,KEP 10-32X 3/8 AF            | 15 15 |
| 14        | 14              |                  | 9008929-00  | CLAMP, WORM GEAR,S.S.,1-5/16"TO2 | 1 1   |
| 15        | 15              |                  | 9006074-01  | SCREW,PAN,PHIL 10-32X 5/8 SS     | 8 8   |
| 16        | 16              |                  | 9006636-00  | WASHER,LOCK,INT.,.3800D X .200ID | 8 8   |
| 17        | 17              |                  | 9007083-00  | CLAMP,CABLE,SCREW MTD. 3/8 "     | 1 1   |
| 18        | 18              | SEE NOTE 1       |             | RABO SEQ CAP TO GND BD #3        | 1 1   |
| 19        | 19              |                  | 9006560-00  | NUT,KEP 6-32X 5/16AF             | 7 7   |
| 20        | 20              |                  | 9006646-00  | WASHER, FLAT, .500 O.D. X .281 I | 6 6   |
| 21        | 21              |                  | 9006243-09  | SCREW,HEX 1/4-20X 3/4            | 2 2   |
| 22        | 22              |                  | 9009988-00  | SCREW, SEMS, SLOTTED HEX HD 1/4- | 4 4   |
| 23        | 23              |                  | 9006073-02  | SCREW,FLAT,PHIL, 10-32X 1/2      | 4 4   |
| 24        | 24              |                  | 7018457-06  | CABLE POWER SEQUENCE INT (6')    | 2 2   |
| 25        | 25              |                  | 9007088-00  | CLAMP,CABLE,SCREW MTD. 11/16"    | 4 4   |
| 26        | 26              |                  | 9009718-04  | GROMMET, EXTRUDED, 5.5LONC       | 1 1   |
| 27        | 27              |                  | 9010332-01  | CLAMP,SCREW MTG .125 DIA         | 2 2   |
| 28        | 28              |                  | 9007032-00  | TIE,CABLE BUNDL.DIA 0-1-3/4"=101 | 16 16 |
| 29        | 29              |                  | 9007080-00  | CLAMP,CABLE,SCREW MTD. 3/16"     | 1 1   |
| 30        | 30              |                  | 7009490-00  | POWER SEQUENCE JUMPER ASSEMBLY   | 1 1   |

| REVISION HISTORY |            | BASIC PART NO: | ORABO                    | DRN:   | B. NICHOLS         | DATE: | 14-AUG-81 | DIGITAL             |                      |            |
|------------------|------------|----------------|--------------------------|--------|--------------------|-------|-----------|---------------------|----------------------|------------|
| ENG!             | ECO NUMBER | REV            | SECTION A OF A           | CHK'D: | W.C.M              | DATE: | 15 SEP 81 | TITLE               | PARTS LIST           |            |
|                  | INITIAL    | A              | SECTION. VARIATION INDEX |        | W. MAJOR           |       | 15 SEP 81 | RABO IN H9642-B CAB |                      |            |
|                  |            |                | [A] CA,CD                |        | <i>R. Ducharme</i> |       | 15 SEP 81 |                     |                      |            |
|                  |            |                | [B]                      |        | <i>R. Ducharme</i> |       | 15 SEP 81 |                     |                      |            |
|                  |            |                | [C]                      |        | <i>W. Nathrani</i> |       | 15 SEP 81 | DOCUMENT NUMBER     |                      |            |
|                  |            |                | [D]                      |        | <i>W. Nathrani</i> |       | 15 SEP 81 | SIZE!CODE! NUMBER   | REV                  |            |
|                  |            |                | [E]                      |        | <i>W. Ehrmann</i>  |       | 15 SEP 81 | K ! PL ! RABO-C-DBP | A                    |            |
|                  |            |                | [F]                      |        | <i>W. Ehrmann</i>  |       | 23 SEP 81 | ASSEMBLY NUMBER:    | TOP DOCUMENT NUMBER: | FILE NAME: |
|                  |            |                |                          |        |                    |       |           | D-UA-RABO-C-0       | B-DD-RABO-C          | Z2867A.PLS |
|                  |            |                |                          |        |                    |       |           |                     |                      | EDIT # 26  |

\* THIS DRAWING AND SPECIFICATIONS HEREIN, ARE THE PROPERTY OF DIGITAL EQUIPMENT CORPORATION AND SHALL NOT BE REPRODUCED OR COPIED OR USED IN WHOLE OR IN PART AS THE BASIS FOR THE MANUFACTURE OR SALE OF ITEMS WITHOUT WRITTEN PERMISSION. COPYRIGHT (C) 1981. DIGITAL EQUIPMENT CORPORATION \*

| LINE | ITEM | DOCUMENT NUMBER | PART NUMBER | DESCRIPTION                      | QUANTITY PER VARIATION |     |
|------|------|-----------------|-------------|----------------------------------|------------------------|-----|
|      |      |                 |             |                                  | CA                     | CD  |
| 31   | 31   |                 | BC26V-12    | SI CABLE,12FT,4 COAX SHIELDED    | 1                      | 1   |
| 32   | 32   |                 | 9006659-00  | WASHER, FLAT, .375 O.D. X .156 I | 4                      | 4   |
| 33   | 33   |                 | 9006664-00  | WASHER, FLAT, .437 OD X .218 ID  | 1                      | 1   |
| 34   | 34   |                 | 9007797-00  | WASHER, LOCK, S.S. 1/4           | 2                      | 2   |
| 35   | 35   |                 | 9006655-00  | WASHER, FLAT, .312 O.D. X .125 I | 2                      | 2   |
| 36   | 36   |                 | 9006024-01  | SCREW,PAN,PHIL 6-32X 1/2 SS      | 3                      | 3   |
| 37   | 37   |                 | 9007649-00  | WASHER, LOCK, EXTERNAL TOOTH #6  | 3                      | 3   |
| 38   | 38   |                 | H9642-BM    | RABO EXP CAB W 874 (120V),H9542- | 1                      | -   |
| 39   | 39   |                 | H9642-BN    | H9642-BM EXCEPT 240V             | -                      | 1   |
| 40   | 40   |                 | 3617674-00  | LABEL,SERIAL & POWER,UNIVERSAL   | 2                      | 2   |
| 41   | 41   |                 | 3700436-08  | CAB H9642 REPLACES VAR. 00, 01,  | REF                    | REF |
| 42   | 42   |                 | 7416197-02  | DECAL-UL LISTED EDP              | 1                      | 1   |
| 43   | 43   |                 | 3613211-00  | DECAL,CLEAR PREPRINTED CSA 1-1/4 | -                      | 1   |
| 44   | 44   |                 | H9544-AA    | 40"END PANEL,GREY FRAME,DARK BKO | REF                    | REF |
| 45   | 45   |                 | 7425959-01  | RETAINER,CABLE ENTRY             | 3                      | 3   |
| 46   | 46   |                 | 9000001-15  | STANDOFF,HEX,M/F 10-32 6-32x 1   | 1                      | 1   |
| 47   | 47   |                 | 9008264-00  | MOUNT, CABLE TIE, ADHESIVE BACKE | 2                      | 2   |

48 NOTE: 1. PART NUMBER FOR ITEM 18 (5415375-00) WAS NOT IN MASTER PARTS  
 49 NOTE: - FILE AT TIME OF ECO RELEASE.

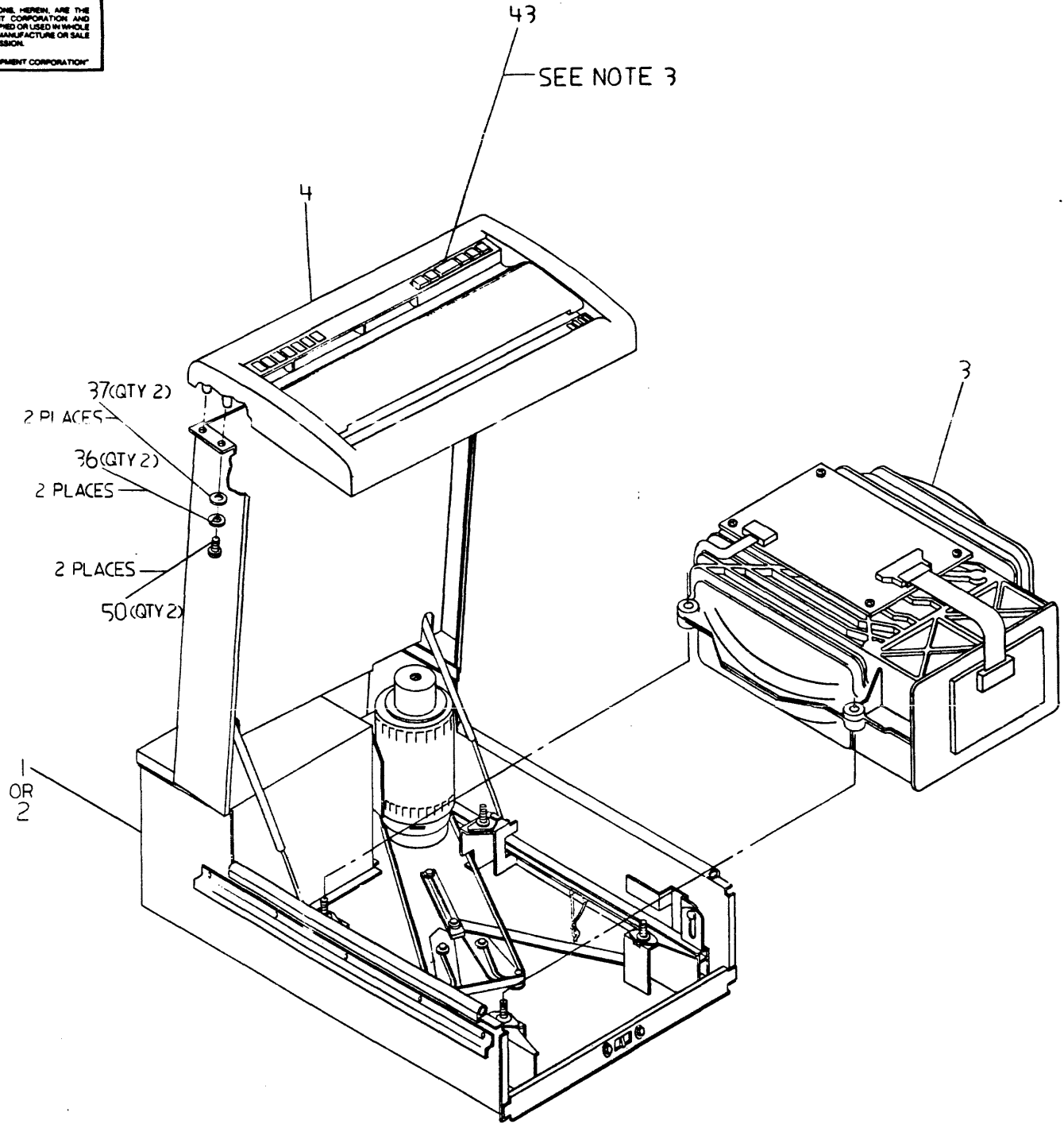
|   |   |   |   |   |   |   |                     |           |      |      |      |                 |     |
|---|---|---|---|---|---|---|---------------------|-----------|------|------|------|-----------------|-----|
| D | I | G | I | T | A | L | TITLE               | SECTION A | OF A | SIZE | CODE | DOCUMENT NUMBER | REV |
|   |   |   |   |   |   |   | RABO IN H9642-B CAB |           |      | K    | PL   | RABO-C-DBP      | A   |

DAD7018330-0-0

THIS DRAWING AND SPECIFICATIONS HEREIN ARE THE PROPERTY OF DIGITAL EQUIPMENT CORPORATION AND SHALL NOT BE REPRODUCED OR COPIED OR USED IN WHOLE OR IN PART AS THE BASIS FOR THE MANUFACTURE OR SALE OF ITEMS WITHOUT WRITTEN PERMISSION. COPYRIGHT © 1981, DIGITAL EQUIPMENT CORPORATION

| LEGEND     |             |
|------------|-------------|
| PART NO    | VARIATION   |
| 7018330-00 | 60 HZ, 120V |
| 7018330-01 | 50 HZ, 240V |

- NOTES:
- ADJUST BELT TO  $23 \pm 2$  LBS TENSION AND INSTALL SHIPPING BRACKET. TIGHTEN BOLT BETWEEN MOTOR MOUNT AND SHIPPING BRACKET SNUG AGAINST SHIPPING BRACKET, THEN LOCK IN PLACE BY TIGHTENING NUT ON FRONT SIDE OF SHIPPING BRACKET.
  - APPLICATION FOR BEST ADHESION:
    - REMOVE BACK PAPER PER VENDOR.
    - CLEAN BEZEL SURFACE WITH SOLVENT (ISOPROPHYL ALCOHOL).
    - RUB ALL LETTERING TO CLEAN AREA BEFORE REMOVING FRONT PAPER FROM DECAL USING A DULL ROUNDED INSTRUMENT. WHEN REMOVING FRONT PAPER, FOLLOW INSTRUCTIONS ON DECAL PER VENDOR.
  - REFER TO THE RAB0 USERS GUIDE (PART NO EK-DRA80-UG) FOR INSTALLATION OF APPROPRIATE DRIVE ADDRESS SWITCH MARKER. BAG ENTIRE MARKERSHEET AND SECURE FOR SHIPMENT.
  - ITEM 26, 43 & 44 ARE PACKAGED FOR SHIPMENT WITH DRIVE ASSEMBLY.
  - INSTALL POWER SUPPLY (H7660A-B) FIRST, THEN MOUNT DRIVE BULKHEAD BRACKET (7427169-01).



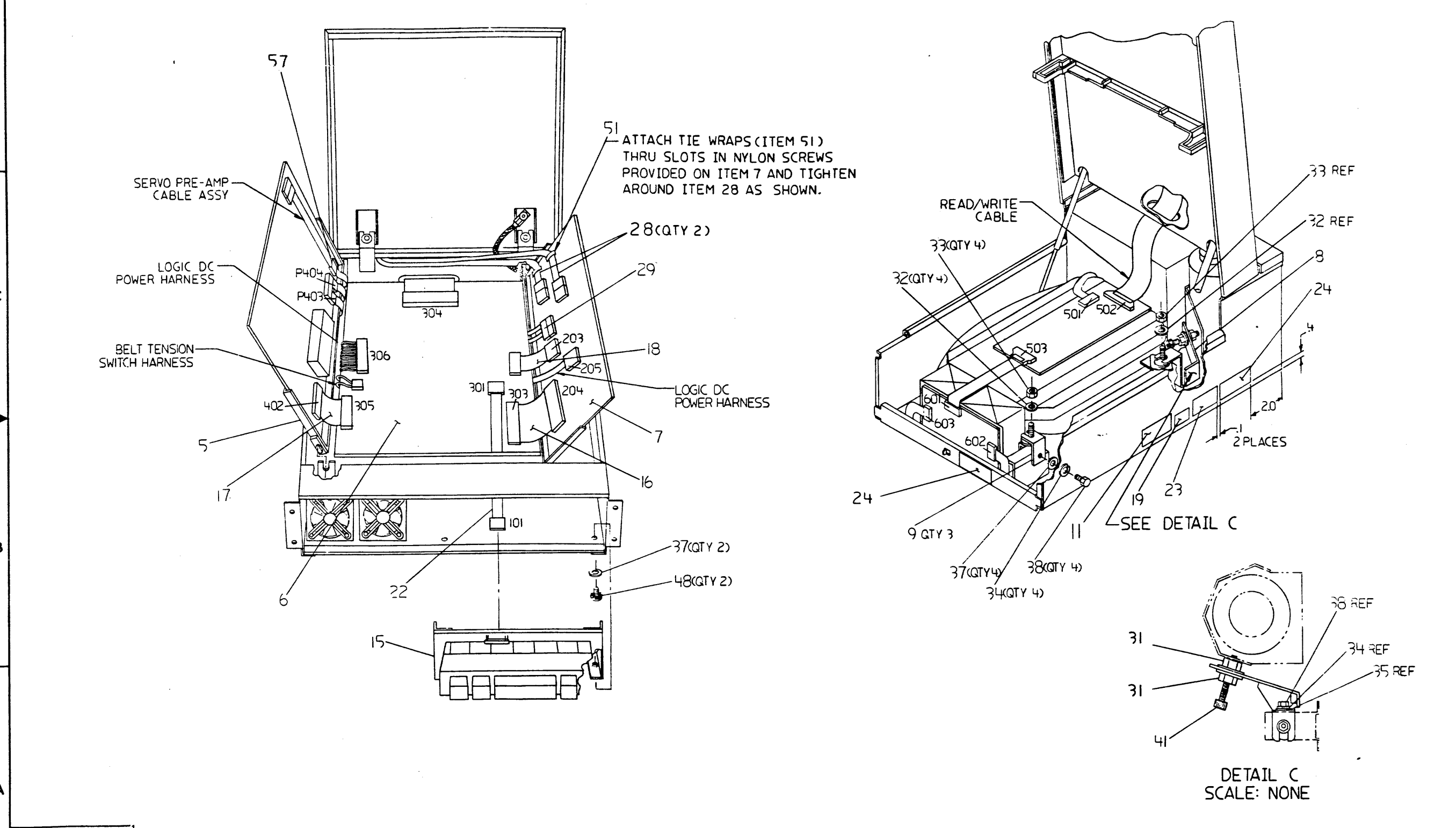
CAUTION: OFF-SHEET PARTS LIST EXISTS. SEE K-PL-7018330-0-DBP (2256)

| DATE | REVISION HISTORY                         | REV |
|------|--|-----|
|      | RELEASED TO ECO CONTROL PER PCO RAB0-044 | A   |
| 1391 | 7018330-CX001 LRM 12 JULY 82 R DUCHARME  | B   |
| 1700 | 7018330-CX002 AP 10 SEPT 82 G. NORDBERG  | C   |
| 1708 | 7018330-CX003 LRM 9 OCT 82 G. NORDBERG   | D   |
| 1740 | RUA 60-CX003 FULIS MAR 83 J. NORDBERG    | E   |
| 1798 | RAB0-CX001 FU, TAPR 83 G. NORDBERG       | F   |
| 1785 | RAB0-CX002 FU, 15 MAY 83 J. READ         | H   |
| 1905 | RAB0-CX003 W.S. 7 JULY 83 J. NORDBERG    | J   |
| 1968 | RAB0-CX004 FU 21 SEP 83 J. NORDBERG      | K   |
| 1987 | 7018330-CX004 FU 17 OCT 83 J. READ       | L   |
| 1991 | 7018330-CX005 AP 30 NOV 83 J. READ       | M   |

| DESCRIPTION  | DRAWING NO.                  | PART NO.  | ITEM NO.             |                 |                 |                 |                 |                 |                 |                 |                 |                 |                 |                  |
|--|------------------------------|---|----------------------|-----------------|-----------------|-----------------|-----------------|-----------------|-----------------|-----------------|-----------------|-----------------|-----------------|------------------|
| UNLESS OTHERWISE SPECIFIED DIMENSIONS ARE IN INCHES AND THE FOLLOWING TOLERANCES APPLY (PER DEC STD 114) |                              |   |                      |                 |                 |                 |                 |                 |                 |                 |                 |                 |                 |                  |
| INCHES TOLERANCES<br>X = ± .1<br>XX = ± .02<br>XXX = ± .005  | ANGLES<br>= 0° 30'           | APPLICABLE DIMENSION RANGE<br>(CHECK ONE)<br><input type="checkbox"/> TO .125<br><input type="checkbox"/> TO .250<br><input type="checkbox"/> TO .375<br><input type="checkbox"/> TO .500<br><input type="checkbox"/> TO .750<br><input type="checkbox"/> TO 1.000<br><input type="checkbox"/> TO 1.250<br><input type="checkbox"/> TO 1.500<br><input type="checkbox"/> TO 1.750<br><input type="checkbox"/> TO 2.000<br><input type="checkbox"/> TO 2.500<br><input type="checkbox"/> TO 3.000<br><input type="checkbox"/> TO 3.500<br><input type="checkbox"/> TO 4.000<br><input type="checkbox"/> TO 4.500<br><input type="checkbox"/> TO 5.000<br><input type="checkbox"/> TO 5.500<br><input type="checkbox"/> TO 6.000<br><input type="checkbox"/> TO 6.500<br><input type="checkbox"/> TO 7.000<br><input type="checkbox"/> TO 7.500<br><input type="checkbox"/> TO 8.000<br><input type="checkbox"/> TO 8.500<br><input type="checkbox"/> TO 9.000<br><input type="checkbox"/> TO 9.500<br><input type="checkbox"/> TO 10.000 | OVER 0 TO 0.2        | OVER 0.2 TO 0.4 | OVER 0.4 TO 0.6 | OVER 0.6 TO 0.8 | OVER 0.8 TO 1.0 | OVER 1.0 TO 1.2 | OVER 1.2 TO 1.5 | OVER 1.5 TO 2.0 | OVER 2.0 TO 3.0 | OVER 3.0 TO 4.0 | OVER 4.0 TO 5.0 | OVER 5.0 TO 10.0 |
|  |                              |   | ± .004               | ± .005          | ± .012          | ± .018          | ± .024          | ± .030          | ± .036          | ± .042          | ± .048          | ± .054          | ± .060          | ± .066           |
| QUANTITY & VARIATION   |                              |   |                      |                 |                 |                 |                 |                 |                 |                 |                 |                 |                 |                  |
| THIRD ANGLE PROJECTION   | DRW <i>M. Eureka</i>         | DATE 2 Feb 81   | TITLE <b>digital</b> |                 |                 |                 |                 |                 |                 |                 |                 |                 |                 |                  |
| DO NOT SCALE DRAWING   | DATE 15 Sep 81               | DESIGN <i>J. Read</i>   | DATE 17 Sep 81       |                 |                 |                 |                 |                 |                 |                 |                 |                 |                 |                  |
| REMOVE BURRS AND BREAK SHARP CORNERS   | RESP ENG <i>The Robinson</i> | DATE 17 Sep 81  |                      |                 |                 |                 |                 |                 |                 |                 |                 |                 |                 |                  |
| MATERIAL   | UPD ENG <i>Williamson</i>    | DATE 17 Sep 81  |                      |                 |                 |                 |                 |                 |                 |                 |                 |                 |                 |                  |
| FINISH   | NETTING ROOM                 | DATE  |                      |                 |                 |                 |                 |                 |                 |                 |                 |                 |                 |                  |
|  | D-UA-RAB0-0-0                |   |                      |                 |                 |                 |                 |                 |                 |                 |                 |                 |                 |                  |
| DOCUMENT NUMBER  |                              | SCALE: VC:NE  |                      |                 |                 |                 |                 |                 |                 |                 |                 |                 |                 |                  |
| DAD7018330-0-0   |                              | SHEET 1 OF 4  |                      |                 |                 |                 |                 |                 |                 |                 |                 |                 |                 |                  |



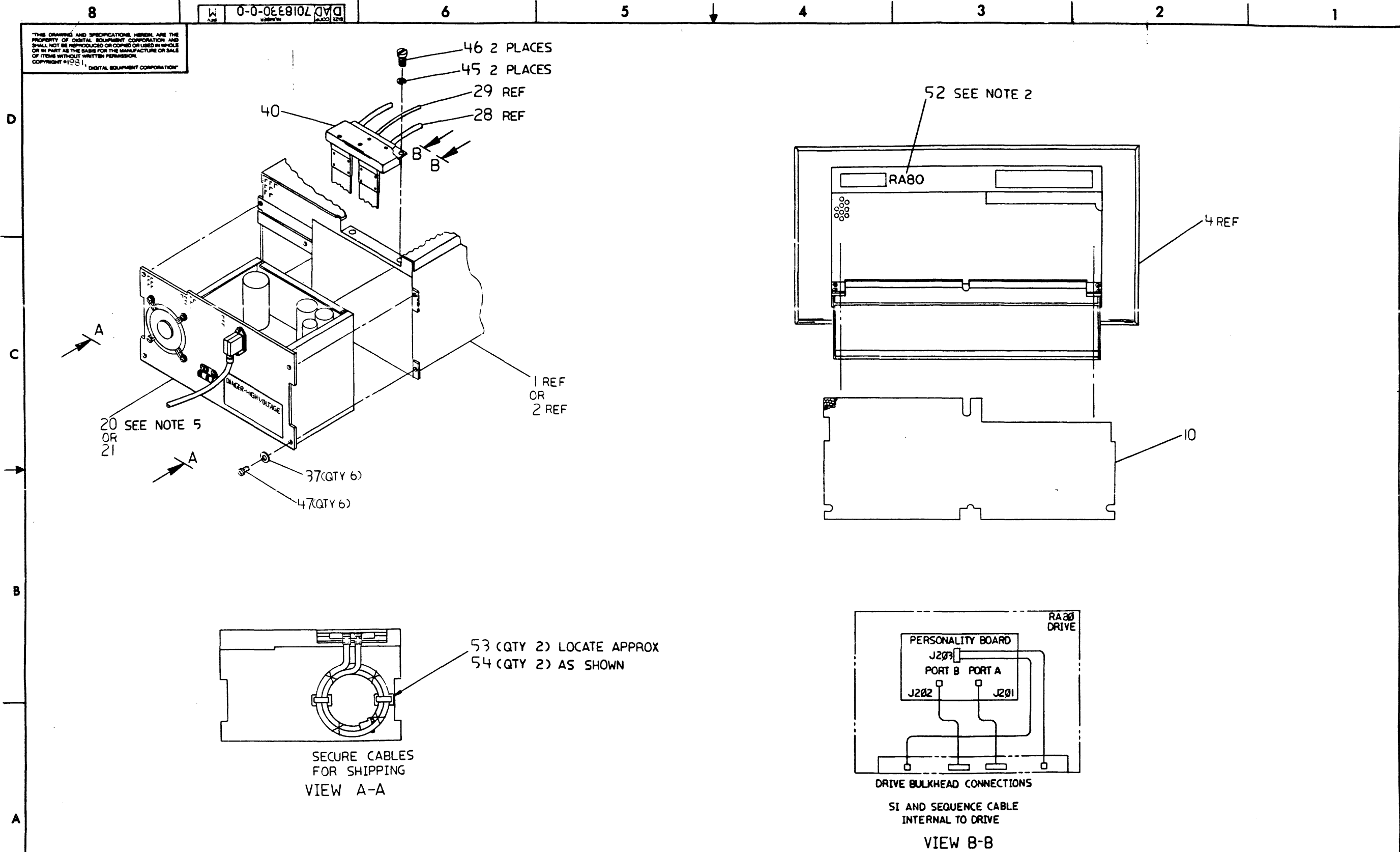
THIS DRAWING AND SPECIFICATIONS HEREIN ARE THE PROPERTY OF DIGITAL EQUIPMENT CORPORATION AND SHALL NOT BE REPRODUCED OR COPIED OR USED IN WHOLE OR IN PART AS THE BASIS FOR THE MANUFACTURE OR SALE OF ITEMS WITHOUT WRITTEN PERMISSION. COPYRIGHT © 1981. DIGITAL EQUIPMENT CORPORATION



| REVISION HISTORY |            |      |
|------------------|------------|------|
| DATE             | ECO NUMBER | REV. |
|                  |            |      |
|                  |            |      |
|                  |            |      |
|                  |            |      |
|                  |            |      |
|                  |            |      |
|                  |            |      |
|                  |            |      |
|                  |            |      |

|                     |      |                 |     |
|---------------------|------|-----------------|-----|
| TITLE               |      | DOCUMENT NUMBER |     |
| DISK DRIVE ASSEMBLY |      | DAD7018330-0-0  |     |
| SIZE                | CODE | NUMBER          | REV |
| SCALE: NONE         |      | SHEET 2 OF 4    | M   |

THE DRAWING AND SPECIFICATIONS HEREIN ARE THE PROPERTY OF DIGITAL EQUIPMENT CORPORATION AND SHALL NOT BE REPRODUCED OR COPIED OR USED IN WHOLE OR IN PART AS THE BASIS FOR THE MANUFACTURE OR SALE OF ITEMS WITHOUT WRITTEN PERMISSION. COPYRIGHT © 1981, DIGITAL EQUIPMENT CORPORATION

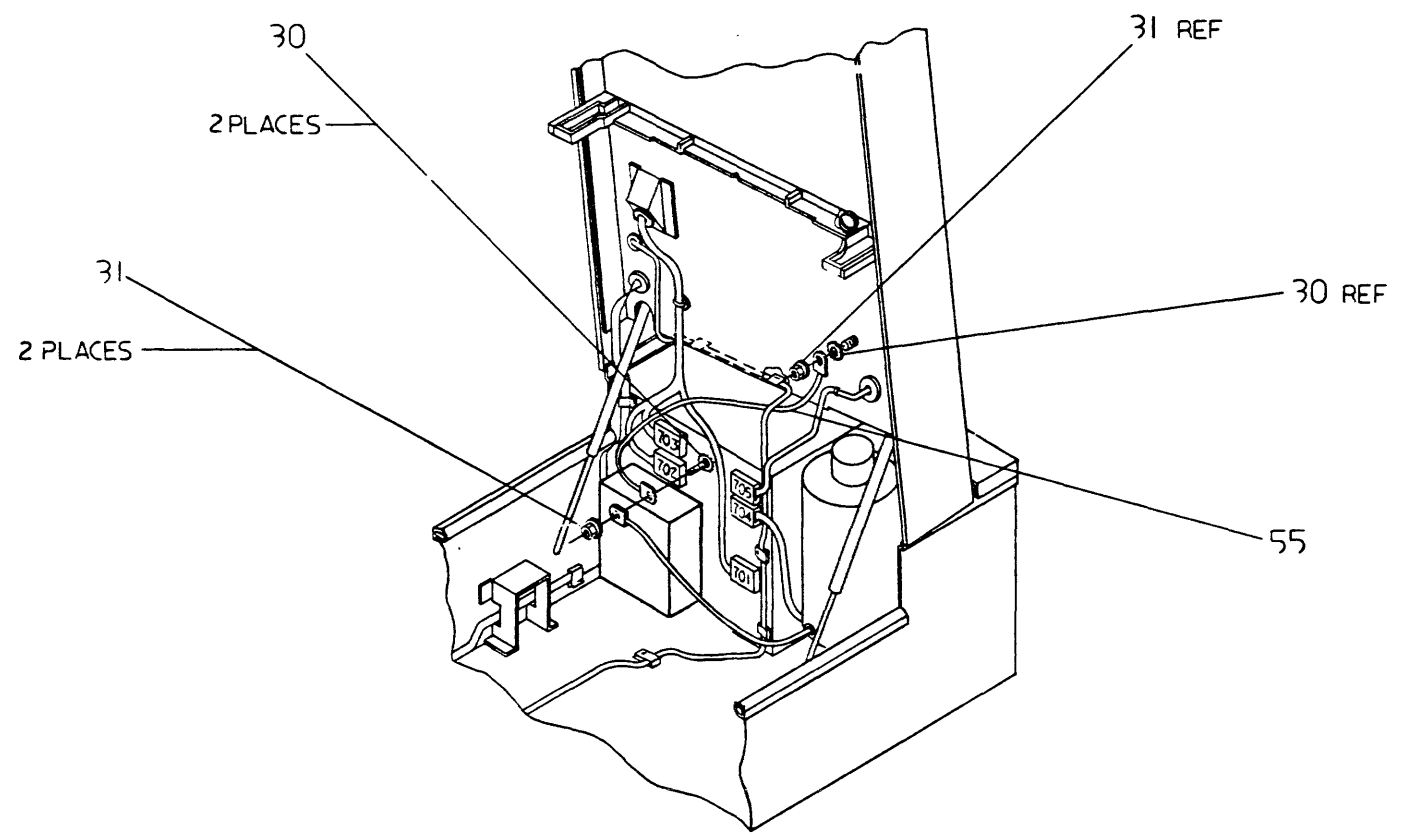


| REVISION HISTORY |            |      |
|------------------|------------|------|
| DATE             | ECO NUMBER | REV. |
|                  |            |      |

| DOCUMENT NUMBER |              |      |
|-----------------|--------------|------|
| SIZE CODE       | NUMBER       | REV. |
| DAD             | 7018330-0-0  | 1    |
| SCALE: NCNE     | SHEET 3 OF 4 |      |

W. 0-0-0E8910Z DAD 7018330-0-0

THIS DRAWING AND SPECIFICATIONS HEREIN ARE THE PROPERTY OF DIGITAL EQUIPMENT CORPORATION AND SHALL NOT BE REPRODUCED OR COPIED OR USED IN WHOLE OR IN PART AS THE BASIS FOR THE MANUFACTURE OR SALE OF ITEMS WITHOUT WRITTEN PERMISSION. COPYRIGHT © 1961, DIGITAL EQUIPMENT CORPORATION.



| REVISION HISTORY |            |      |
|------------------|------------|------|
| DATE             | ECO NUMBER | REV. |
|                  |            |      |
|                  |            |      |
|                  |            |      |
|                  |            |      |
|                  |            |      |
|                  |            |      |
|                  |            |      |
|                  |            |      |
|                  |            |      |

TITLE DISK DRIVE ASSEMBLY

| DOCUMENT NUMBER |             |              |
|-----------------|-------------|--------------|
| SIZE CODE       | NUMBER      | REV.         |
| DAD             | 7018330-0-0 | M            |
| SCALE           | NONE        | SHEET 4 OF 4 |

DAD 7018330-0-0 M

| LINE ITEM | TOP DOCUMENT | PART NUMBER      | MIN REV    | DESCRIPTION                      | QTY | PER VARIATION |
|-----------|--------------|------------------|------------|----------------------------------|-----|---------------|
|           |              |                  |            |                                  | 00  | 01            |
| 1         | 1            | D-AD-7018446-0-0 | 7018446-02 | 120V,60HZ,FCC COMPLIANT          | 1   | -             |
| 2         | 2            | D-AD-7018446-0-0 | 7018446-03 | 240V,50HZ,FCC COMPLIANT          | -   | 1             |
| 3         | 3            | C-AD-7016795-0-0 | 7016795-00 | HDA-R/W MOD ASSY                 | 1   | 1             |
| 4         | 4            | E-AD-7017340-0-0 | 7017340-02 | BEZEL                            | 1   | 1             |
| 5         | 5            | D-AD-7016976-0-0 | 7016976-00 | SERVO BOARD AND STIFFENER ASSY.  | 1   | 1             |
| 6         | 6            | E-UA-5415284-0-0 | 5415284-01 | RA80 MICROPROCESSOR              | 1   | 1             |
| 7         | 7            | D-AD-7018327-0-0 | 7018327-00 | PERSONALITY BD. AND STIFFNER ASS | 1   | 1             |
| 8         | 8            | D-MD-7423898-0-0 | 7423898-00 | SHIPPING BRACKET                 | 1   | 1             |
| 9         | 9            | D-MD-7423897-0-0 | 7423897-00 | SHIPPING BRACKET                 | 3   | 3             |
| 10        | 10           | C-MD-7422816-0-0 | 7422816-00 | FOAM FILTER                      | 1   | 1             |
| 11        | 11           | A-PS-3617880-0-0 | 3617880-03 | E LABEL,FCC,CLASS A,PERIPHERAL   | 1   | -             |
| 12        | 12           | D-MD-7422701-0-0 | 7422701-00 | *** THIS ITEM IS NOT USED ***    | -   | -             |
| 13        | 13           | C-MD-7425147-0-0 | 7425147-02 | *** THIS ITEM IS NOT USED ***    | -   | -             |
| 14        | 14           | C-MD-7425160-0-0 | 7425160-02 | *** THIS ITEM IS NOT USED ***    | -   | -             |
| 15        | 15           | D-AD-7018324-0-0 | 7018324-00 | OPERATOR CONTROL PANEL ASSEMBLY  | 1   | 1             |
| 16        | 16           | C-IA-7016737-0-0 | 7016737-00 | DATA 40 CABLE ASSY.              | 1   | 1             |
| 17        | 17           | C-IA-7016737-0-0 | 7016737-01 | R80 DATA 40 CABLE ASSY           | 1   | 1             |
| 18        | 18           | C-IA-7016738-0-0 | 7016738-00 | DATA 20 CABLE ASSY (DCL)         | 1   | 1             |
| 19        | 19           | C-SS-7416197-0-0 | 7416197-02 | DECAL-UL LISTED EDP              | 1   | 1             |
| 20        | 20           | D-UA-H766-C-0    | H7660-A    | RA81 PS: 120V 60HZ IN, +5V 12A,- | 1   | -             |
| 21        | 21           | D-UA-H766-C-0    | H7660-B    | H7660-A EXCEPT 220-240V 50HZ     | -   | 1             |
| 22        | 22           | C-IA-7016740-0-0 | 7016740-00 | CONTROL PANEL CABLE ASSY         | 1   | 1             |
| 23        | 23           |                  | 3613211-00 | DECAL,CLEAR PREPRINTED CSA 1-1/4 | 1   | -             |
| 24        | 24           |                  | 3617674-00 | LABEL,SERIAL/POWER W/O UL + CSA  | 2   | 2             |
| 25        | 25           | D-MD-7425144-0-0 | 7425144-00 | *** THIS ITEM IS NOT USED ***    | -   | -             |
| 26        | 26           |                  | 7018340-02 | I/O BULKHEAD DRIVE RA81/RA60     | 1   | 1             |
| 27        | 27           |                  | 3700588-00 | PKG DISK DRIVE R80               | REF | REF           |
| 28        | 28           | D-IA-7018487-0-0 | 7019689-6E | SI INTERNAL CABLE ASSY (6' 5")   | 2   | 2             |

| REVISION HISTORY |               |     | BASIC PART NO: 7018330  |                  |               |                      |           |                     |      |               |     |
|------------------|---------------|-----|-------------------------|------------------|---------------|----------------------|-----------|---------------------|------|---------------|-----|
| ENG              | ECO NUMBER    | REV | SECTION A OF A          | DRN:             | R. NICOLAISEN | DATE:                | 12 FEB 81 | DIGITAL             |      |               |     |
| ---              | INITIAL       | A   | SECTION.VARIATION INDEX | CHK'D:           | W. MAJOR      | DATE:                | 15-SEP-81 | TITLE PARTS LIST    |      |               |     |
| RD               | 7018330-CX001 | B   | CAJ00,01                |                  |               |                      |           | DISK DRIVE ASSEMBLY |      |               |     |
| GN               | 7018330-CX002 | C   |                         |                  |               |                      |           |                     |      |               |     |
| GN               | 7018330-CX003 | D   | [B]                     | DES.ENG:         | B. DUCHARME   | DATE:                | 15-SEP-81 | DOCUMENT NUMBER     |      |               |     |
| JN               | RUA80-CX003   | E   |                         |                  |               |                      |           | SIZE                | CODE | NUMBER        | REV |
| GN               | RA80-CX001    | F   | [C]                     |                  |               |                      |           |                     |      |               |     |
| JR               | RA80-CX002    | H   |                         | RESP.ENG.:       | W. MATHRANI   | DATE:                | 15-SEP-81 | K                   | PL   | 7018330-0-DBP | M   |
| JN               | RA80-CX003    | J   | [D]                     |                  |               |                      |           |                     |      |               |     |
| JN               | RA80-CX004    | K   |                         |                  |               |                      |           |                     |      |               |     |
| JR               | 7018330-CX004 | L   | [E]                     | MFG.ENG.:        | W. EHRMANN    | DATE:                | 15-SEP-81 | RELEASE DATE:       |      |               |     |
| JR               | 7018330-CX005 | M   | [F]                     | ASSEMBLY NUMBER: |               | TOP DOCUMENT NUMBER: |           | FILE NAME:          |      | EDIT #:       |     |
|                  |               |     |                         | D-AD-7018330-0-0 |               | D-UA-RA80-0-0        |           | Z2156M.PLS          |      | 37            |     |

*Handwritten:* Rm 6 DEC 83 [Signature] 7 Dec 1983

"THIS DRAWING AND THE SPECIFICATIONS CONTAINED HEREIN ARE CONFIDENTIAL AND PROPRIETARY. THEY ARE THE PROPERTY OF DIGITAL EQUIPMENT CORPORATION AND SHALL NOT BE REPRODUCED OR COPIED OR USED IN WHOLE OR IN PART AS THE BASIS FOR THE MANUFACTURE OR SALE OF ITEMS WITHOUT WRITTEN PERMISSION. THIS IS AN UNPUBLISHED WORK PROTECTED UNDER THE FEDERAL COPYRIGHT LAWS."

| LINE | ITEM | TOP DOCUMENT      | PART NUMBER | MIN REV | DESCRIPTION                      | QTY | PER | VARIATION |
|------|------|-------------------|-------------|---------|----------------------------------|-----|-----|-----------|
|      |      |                   |             |         |                                  | 00  | 01  |           |
| 29   | 29   | D-IA-7018328-0-0  | 7019691-1J  |         | DRIVE SEQ CABLE ASSY 20"-(1'-8") | 1   | 1   |           |
| 30   | 30   |                   | 9007651-00  |         | WASHER,LOCK EXTERNAL STEEL       | 2   | 2   |           |
| 31   | 31   |                   | 9006565-00  |         | NUT,HEX EXT TOOTH LCKWSHR 10-32  | 4   | 4   |           |
| 32   | 32   |                   | 9007983-00  |         | WASHER,FLAT SST                  | 4   | 4   |           |
| 33   | 33   |                   | 9008203-00  |         | NUT,HEX EXT TOOTH LCKWSHR 1/4-20 | 4   | 4   |           |
| 34   | 34   |                   | 9007906-00  |         | WASHER,HELICAL SPLIT STEEL       | 4   | 4   |           |
| 35   | 35   |                   | 9006664-00  |         | WASHER,FLAT SST                  | 4   | 4   |           |
| 36   | 36   |                   | 9006690-00  |         | WASHER,HELICAL SPLIT SST         | 4   | 4   |           |
| 37   | 37   |                   | 9006666-00  | CR      | WASHER,FLAT SST                  | 10  | 10  |           |
| 38   | 38   |                   | 9006231-09  |         | SCREW,MACH HEX PLN 10-           | 4   | 4   |           |
| 39   | 39   |                   | 9007801-00  | CR      | *** THIS ITEM IS NOT USED ***    | -   | -   |           |
| 40   | 40   |                   | 7427189-01  |         | BRACKET,DRIVE BULKHEAD           | 1   | 1   |           |
| 41   | 41   |                   | 9006352-08  |         | SCREW,CAP SOC HEX 10-            | 1   | 1   |           |
| 42   | 42   |                   | 9006668-00  |         | *** THIS ITEM IS NOT USED ***    | -   | -   |           |
| 43   | 43   | SEE NOTE 4 ON DWG | 3618940-01  |         | LABEL,SW. MARKER                 | 1   | 1   |           |
| 44   | 44   |                   | BC26V-12    |         | SI CABLE,12FT,4 COAX SHIELDED    | 1   | 1   |           |
| 45   | 45   |                   | 9006632-00  | CR      | WASHER,LOCK INTERNAL STEEL       | 2   | 2   |           |
| 46   | 46   |                   | 9006011-01  | CR      | SCREW,MACH PAN PHIL 4-           | 2   | 2   |           |
| 47   | 47   |                   | 9009682-01  | CR      | SCREW,MACH HEXWW SLOT 8-         | 6   | 6   |           |
| 48   | 48   |                   | 1221368-05  | A       | SCREW,SEMS PAN PHIL 6-           | 2   | 2   |           |
| 49   | 49   |                   | 9006036-01  |         | *** THIS ITEM IS NOT USED ***    | -   | -   |           |
| 50   | 50   |                   | 9006037-01  | CR      | SCREW,MACH PAN PHIL 8-           | 4   | 4   |           |
| 51   | 51   |                   | 9010266-00  |         | TIE,CABLE 7.312L                 | 2   | 2   |           |
| 52   | 52   |                   | 3617314-00  |         | LABEL,RUB-ON,RA80                | 1   | 1   |           |
| 53   | 53   |                   | 9008264-00  |         | MOUNT, CABLE TIE, ADHESIVE BACKE | 2   | 2   |           |
| 54   | 54   |                   | 9007032-00  |         | TIE,CABLE BUNDL.DIA 0-1-3/4"=101 | 6   | 6   |           |
| 55   | 55   |                   | 1213756-09  |         | GROUND STRAP,9"LG                | 1   | 1   |           |
| 56   | 56   |                   | 1213756-03  |         | *** THIS ITEM IS NOT USED ***    | -   | -   |           |
| 57   | 57   |                   | 9009636-00  |         | CLAMP,CABLE ADH MNT              | 1   | 1   |           |
| 58   | 58   |                   | 9006688-00  |         | *** THIS ITEM IS NOT USED ***    | -   | -   |           |
| 59   | 59   |                   | 9006655-00  |         | *** THIS ITEM IS NOT USED ***    | -   | -   |           |

| NOTE | DESCRIPTION | PART NO | VARIATION             |
|------|-------------|---------|-----------------------|
| 60   | NOTE:       | -       | LEGEND                |
| 61   | NOTE:       | -       | PART NO VARIATION     |
| 62   | NOTE:       | -       | 7018330-00 60HZ, 120V |
| 63   | NOTE:       | -       | 7018330-01 50HZ, 240V |

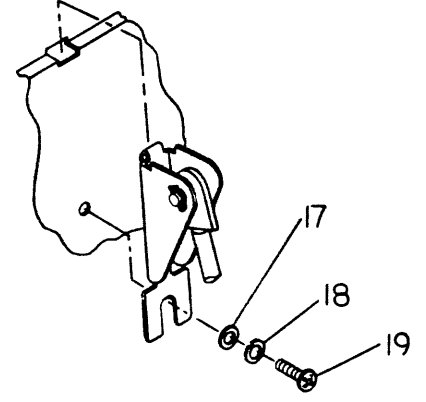
|                   |                     |                    |          |          |                     |         |
|-------------------|---------------------|--------------------|----------|----------|---------------------|---------|
| ! D I G I T A L ! | ! TITLE !           | ! SECTION A OF A ! | ! SIZE ! | ! CODE ! | ! DOCUMENT NUMBER ! | ! REV ! |
|                   | DISK DRIVE ASSEMBLY |                    | K        | PL       | 7018330-0-DBP       | M       |

DAD 7018446-0-0 P

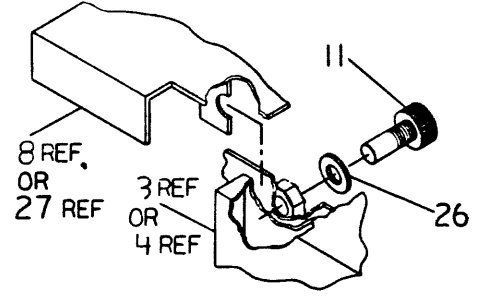
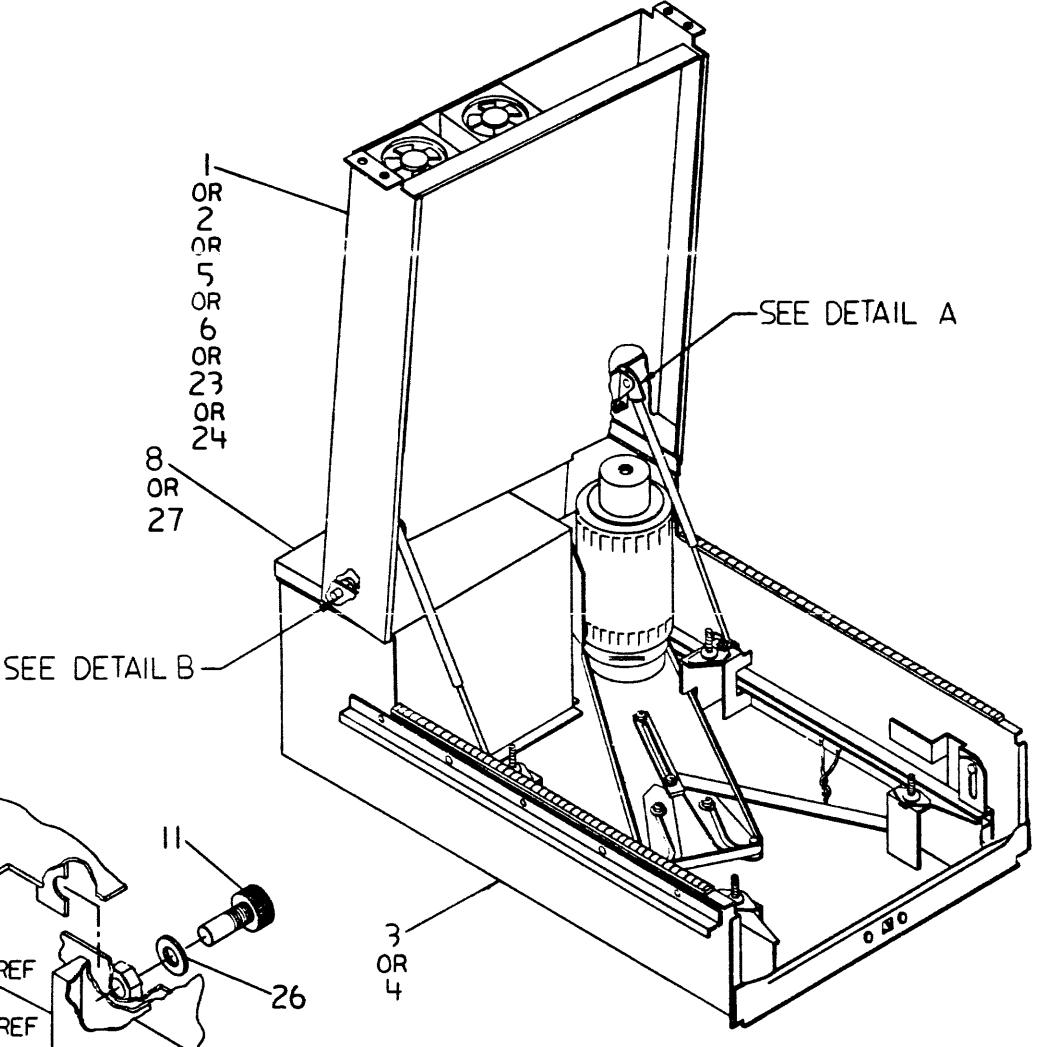
THE DRAWING AND SPECIFICATIONS HEREIN ARE THE PROPERTY OF DIGITAL EQUIPMENT CORPORATION AND SHALL NOT BE REPRODUCED OR COPIED OR USED IN WHOLE OR IN PART AS THE BASIS FOR THE MANUFACTURE OR SALE OF ITEMS WITHOUT WRITTEN PERMISSION. COPYRIGHT © 1980, DIGITAL EQUIPMENT CORPORATION.

| LEGEND     |                     |            |
|------------|---------------------|------------|
| PART NO.   | VARIATION           | WHERE USED |
| 7018446-00 | 120V, 60HZ NON FCC  | RM 80      |
| 7018446-01 | 240V, 50HZ NON FCC  | RM 80      |
| 7018446-02 | 120V, 60HZ FCC COMP | RA 80      |
| 7018446-03 | 240V, 50HZ FCC COMP | RA 80      |
| 7018446-04 | 120V, 60HZ FCC COMP | RA 81      |
| 7018446-05 | 240V, 50HZ FCC COMP | RA 81      |

| LEGEND CONT. |                     |            |
|--------------|---------------------|------------|
| PART NO.     | VARIATION           | WHERE USED |
| 7018446-06   | 120V, 60HZ FCC COMP | R80 AE/AJ  |
| 7018446-07   | 240V, 50HZ FCC COMP | R80 AE/AJ  |



DETAIL A  
2 PLACES  
SCALE: NONE



DETAIL B  
2 PLACES  
SCALE: NONE

CAUTION: OFF-SHEET PARTS LIST EXISTS.  
SEE K-PL-7018446-0-DBP(Z2177).

| REV.        | A                                    | B                                       | C                                   | D                                      | E                                    | F  | H  | J  | K                                     | L                                    | M                                    | N                                | P                                    |
|-------------|--------------------------------------|---|-------------------------------------|--|--------------------------------------|--|--|--|---------------------------------------|--------------------------------------|--------------------------------------|----------------------------------|--------------------------------------|
| DATE        | 1305A                                |   |                                     |  |                                      |  |  |  |                                       |                                      |                                      |                                  |                                      |
| DESCRIPTION | RELEASED TO PER E.C.O. NO. R80-CX000 | 7018446-CX001 DB, 21 MAY 81 J. NORDBERG | R80-CX009 T.F. 25 NOV 81 M. ANDREWS | R80-CX019 L.R.M. 14 APR 82 J. NORDBERG | R80-CX012 C.H. 9 AUG 82 G. FRENCHMAN | 7018446-CX003 M.N. 7-OCT-82 G. FRENCHMAN | 7018446-CX004 T.F. 18 NOV 82 J. NORDBERG | 7018446-CX002 A.P. 30 DEC 82 G. NORDBERG | 7018446-CX104 A.F.U. 8 MAR 83 J. READ | R80-CX003 R.A. 23 MAY 83 J. NORDBERG | 7018446-CX006 F.U. 10 AUG 83 J. READ | R80-CX009 F.U. 12 AUG 83 J. READ | 7018446-CX004 F.U. 16 NOV 83 J. READ |

| DESCRIPTION  | DRAWING NO.     | PART NO.                   | ITEM NO.                  |
|--|-----------------|----------------------------|---------------------------|
| UNLESS OTHERWISE SPECIFIED DIMENSIONS ARE IN INCHES AND THE FOLLOWING TOLERANCES APPLY (PER DEC STD 114) |                 |                            |                           |
| INCHES TOLERANCES  | ANGLES ± 0°30'  | APPLICABLE DIMENSION RANGE | DIMENSION RANGE IN INCHES |
| X ± 0.1  | SURFACE QUALITY | (CHECK ONE)                | OVER 0 TO 0.2             |
| XX ± 0.02  |                 |                            | OVER 0.2 TO 0.5           |
| XXX ± 0.008  | MICROINCHES     | (CHECK ONE)                | OVER 0.5 TO 1.2           |
|  |                 |                            | OVER 1.2 TO 4.8           |
|  |                 |                            | OVER 4.8 TO 12.0          |
|  |                 |                            | OVER 12.0 TO 48.0         |
|  |                 |                            | OVER 48.0 TO 88.0         |
| QUANTITY & VARIATION   |                 |                            | OVER 88.0 TO 100.0        |
|  |                 |                            | ± 0.04                    |
|  |                 |                            | ± 0.08                    |
|  |                 |                            | ± 0.12                    |
|  |                 |                            | ± 0.16                    |
|  |                 |                            | ± 0.20                    |
|  |                 |                            | ± 0.25                    |
|  |                 |                            | ± 0.30                    |
|  |                 |                            | ± 0.35                    |
|  |                 |                            | ± 0.40                    |
|  |                 |                            | ± 0.45                    |
|  |                 |                            | ± 0.50                    |
|  |                 |                            | ± 0.55                    |
|  |                 |                            | ± 0.60                    |
|  |                 |                            | ± 0.65                    |
|  |                 |                            | ± 0.70                    |
|  |                 |                            | ± 0.75                    |
|  |                 |                            | ± 0.80                    |
|  |                 |                            | ± 0.85                    |
|  |                 |                            | ± 0.90                    |
|  |                 |                            | ± 0.95                    |
|  |                 |                            | ± 1.00                    |
|  |                 |                            | ± 1.05                    |
|  |                 |                            | ± 1.10                    |
|  |                 |                            | ± 1.15                    |
|  |                 |                            | ± 1.20                    |
|  |                 |                            | ± 1.25                    |
|  |                 |                            | ± 1.30                    |
|  |                 |                            | ± 1.35                    |
|  |                 |                            | ± 1.40                    |
|  |                 |                            | ± 1.45                    |
|  |                 |                            | ± 1.50                    |
|  |                 |                            | ± 1.55                    |
|  |                 |                            | ± 1.60                    |
|  |                 |                            | ± 1.65                    |
|  |                 |                            | ± 1.70                    |
|  |                 |                            | ± 1.75                    |
|  |                 |                            | ± 1.80                    |
|  |                 |                            | ± 1.85                    |
|  |                 |                            | ± 1.90                    |
|  |                 |                            | ± 1.95                    |
|  |                 |                            | ± 2.00                    |
|  |                 |                            | ± 2.05                    |
|  |                 |                            | ± 2.10                    |
|  |                 |                            | ± 2.15                    |
|  |                 |                            | ± 2.20                    |
|  |                 |                            | ± 2.25                    |
|  |                 |                            | ± 2.30                    |
|  |                 |                            | ± 2.35                    |
|  |                 |                            | ± 2.40                    |
|  |                 |                            | ± 2.45                    |
|  |                 |                            | ± 2.50                    |
|  |                 |                            | ± 2.55                    |
|  |                 |                            | ± 2.60                    |
|  |                 |                            | ± 2.65                    |
|  |                 |                            | ± 2.70                    |
|  |                 |                            | ± 2.75                    |
|  |                 |                            | ± 2.80                    |
|  |                 |                            | ± 2.85                    |
|  |                 |                            | ± 2.90                    |
|  |                 |                            | ± 2.95                    |
|  |                 |                            | ± 3.00                    |
|  |                 |                            | ± 3.05                    |
|  |                 |                            | ± 3.10                    |
|  |                 |                            | ± 3.15                    |
|  |                 |                            | ± 3.20                    |
|  |                 |                            | ± 3.25                    |
|  |                 |                            | ± 3.30                    |
|  |                 |                            | ± 3.35                    |
|  |                 |                            | ± 3.40                    |
|  |                 |                            | ± 3.45                    |
|  |                 |                            | ± 3.50                    |
|  |                 |                            | ± 3.55                    |
|  |                 |                            | ± 3.60                    |
|  |                 |                            | ± 3.65                    |
|  |                 |                            | ± 3.70                    |
|  |                 |                            | ± 3.75                    |
|  |                 |                            | ± 3.80                    |
|  |                 |                            | ± 3.85                    |
|  |                 |                            | ± 3.90                    |
|  |                 |                            | ± 3.95                    |
|  |                 |                            | ± 4.00                    |
|  |                 |                            | ± 4.05                    |
|  |                 |                            | ± 4.10                    |
|  |                 |                            | ± 4.15                    |
|  |                 |                            | ± 4.20                    |
|  |                 |                            | ± 4.25                    |
|  |                 |                            | ± 4.30                    |
|  |                 |                            | ± 4.35                    |
|  |                 |                            | ± 4.40                    |
|  |                 |                            | ± 4.45                    |
|  |                 |                            | ± 4.50                    |
|  |                 |                            | ± 4.55                    |
|  |                 |                            | ± 4.60                    |
|  |                 |                            | ± 4.65                    |
|  |                 |                            | ± 4.70                    |
|  |                 |                            | ± 4.75                    |
|  |                 |                            | ± 4.80                    |
|  |                 |                            | ± 4.85                    |
|  |                 |                            | ± 4.90                    |
|  |                 |                            | ± 4.95                    |
|  |                 |                            | ± 5.00                    |
|  |                 |                            | ± 5.05                    |
|  |                 |                            | ± 5.10                    |
|  |                 |                            | ± 5.15                    |
|  |                 |                            | ± 5.20                    |
|  |                 |                            | ± 5.25                    |
|  |                 |                            | ± 5.30                    |
|  |                 |                            | ± 5.35                    |
|  |                 |                            | ± 5.40                    |
|  |                 |                            | ± 5.45                    |
|  |                 |                            | ± 5.50                    |
|  |                 |                            | ± 5.55                    |
|  |                 |                            | ± 5.60                    |
|  |                 |                            | ± 5.65                    |
|  |                 |                            | ± 5.70                    |
|  |                 |                            | ± 5.75                    |
|  |                 |                            | ± 5.80                    |
|  |                 |                            | ± 5.85                    |
|  |                 |                            | ± 5.90                    |
|  |                 |                            | ± 5.95                    |
|  |                 |                            | ± 6.00                    |
|  |                 |                            | ± 6.05                    |
|  |                 |                            | ± 6.10                    |
|  |                 |                            | ± 6.15                    |
|  |                 |                            | ± 6.20                    |
|  |                 |                            | ± 6.25                    |
|  |                 |                            | ± 6.30                    |
|  |                 |                            | ± 6.35                    |
|  |                 |                            | ± 6.40                    |
|  |                 |                            | ± 6.45                    |
|  |                 |                            | ± 6.50                    |
|  |                 |                            | ± 6.55                    |
|  |                 |                            | ± 6.60                    |
|  |                 |                            | ± 6.65                    |
|  |                 |                            | ± 6.70                    |
|  |                 |                            | ± 6.75                    |
|  |                 |                            | ± 6.80                    |
|  |                 |                            | ± 6.85                    |
|  |                 |                            | ± 6.90                    |
|  |                 |                            | ± 6.95                    |
|  |                 |                            | ± 7.00                    |
|  |                 |                            | ± 7.05                    |
|  |                 |                            | ± 7.10                    |
|  |                 |                            | ± 7.15                    |
|  |                 |                            | ± 7.20                    |
|  |                 |                            | ± 7.25                    |
|  |                 |                            | ± 7.30                    |
|  |                 |                            | ± 7.35                    |
|  |                 |                            | ± 7.40                    |
|  |                 |                            | ± 7.45                    |
|  |                 |                            | ± 7.50                    |
|  |                 |                            | ± 7.55                    |
|  |                 |                            | ± 7.60                    |
|  |                 |                            | ± 7.65                    |
|  |                 |                            | ± 7.70                    |
|  |                 |                            | ± 7.75                    |
|  |                 |                            | ± 7.80                    |
|  |                 |                            | ± 7.85                    |
|  |                 |                            | ± 7.90                    |
|  |                 |                            | ± 7.95                    |
|  |                 |                            | ± 8.00                    |
|  |                 |                            | ± 8.05                    |
|  |                 |                            | ± 8.10                    |
|  |                 |                            | ± 8.15                    |
|  |                 |                            | ± 8.20                    |
|  |                 |                            | ± 8.25                    |
|  |                 |                            | ± 8.30                    |
|  |                 |                            | ± 8.35                    |
|  |                 |                            | ± 8.40                    |
|  |                 |                            | ± 8.45                    |
|  |                 |                            | ± 8.50                    |
|  |                 |                            | ± 8.55                    |
|  |                 |                            | ± 8.60                    |
|  |                 |                            | ± 8.65                    |
|  |                 |                            | ± 8.70                    |
|  |                 |                            | ± 8.75                    |
|  |                 |                            | ± 8.80                    |
|  |                 |                            | ± 8.85                    |
|  |                 |                            | ± 8.90                    |
|  |                 |                            | ± 8.95                    |
|  |                 |                            | ± 9.00                    |
|  |                 |                            | ± 9.05                    |
|  |                 |                            | ± 9.10                    |
|  |                 |                            | ± 9.15                    |
|  |                 |                            | ± 9.20                    |
|  |                 |                            | ± 9.25                    |
|  |                 |                            | ± 9.30                    |
|  |                 |                            | ± 9.35                    |
|  |                 |                            | ± 9.40                    |
|  |                 |                            | ± 9.45                    |
|  |                 |                            | ± 9.50                    |
|  |                 |                            | ± 9.55                    |
|  |                 |                            | ± 9.60                    |
|  |                 |                            | ± 9.65                    |
|  |                 |                            | ± 9.70                    |
|  |                 |                            | ± 9.75                    |
|  |                 |                            | ± 9.80                    |
|  |                 |                            | ± 9.85                    |
|  |                 |                            | ± 9.90                    |
|  |                 |                            | ± 9.95                    |
|  |                 |                            | ± 10.00                   |

DAD 7018446-0-0 P

digital

BASIC DISK DRIVE ASSEMBLY

DAD 7018446-0-0 P

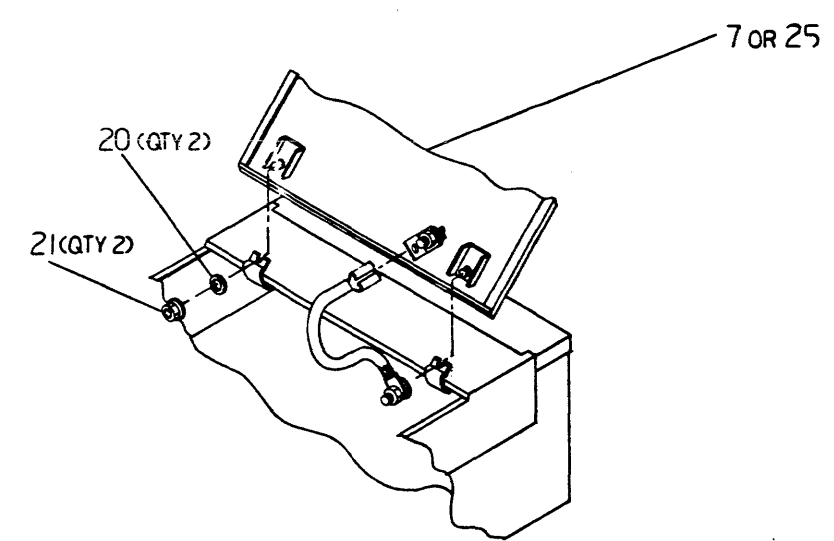
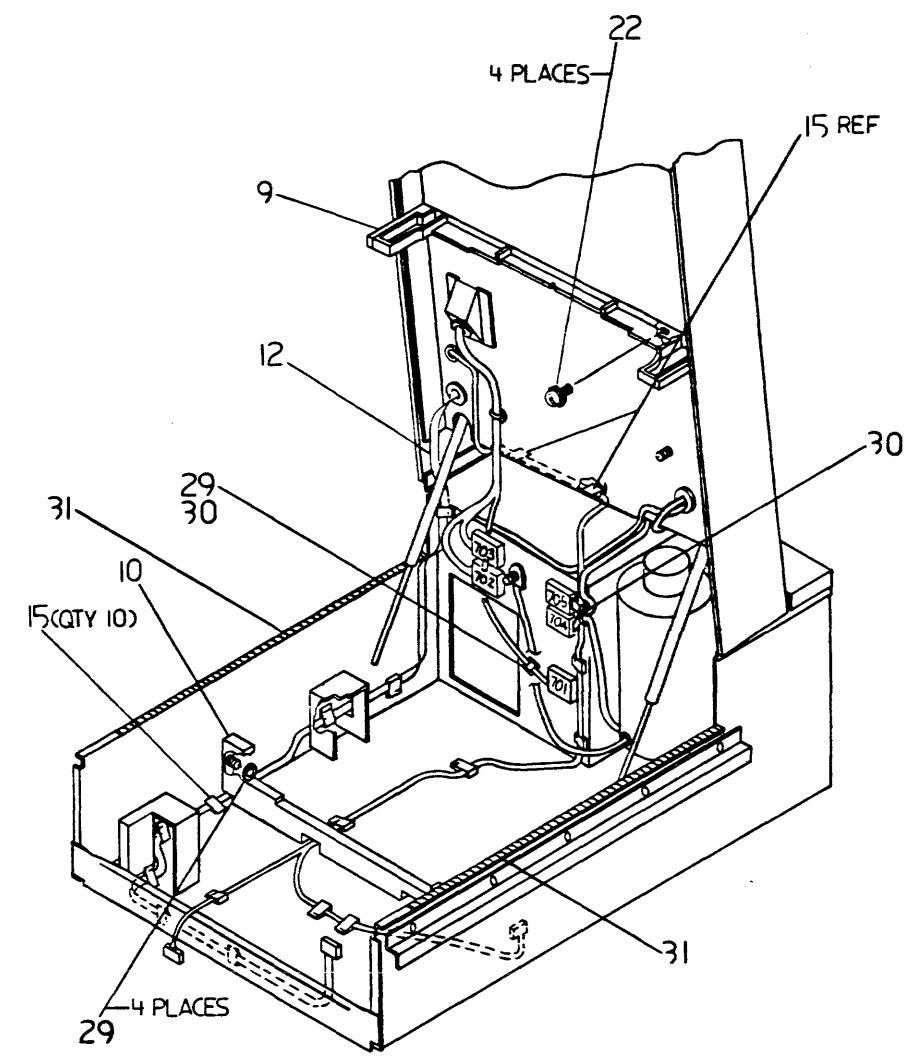
8 6 5 4 3 2 1

THIS DRAWING AND SPECIFICATIONS HEREIN ARE THE PROPERTY OF DIGITAL EQUIPMENT CORPORATION AND SHALL NOT BE REPRODUCED OR COPIED OR USED IN WHOLE OR IN PART AS THE BASIS FOR THE MANUFACTURE OR SALE OF ITEMS WITHOUT WRITTEN PERMISSION. COPYRIGHT 1990, DIGITAL EQUIPMENT CORPORATION.

DAD 7018446-0-0 P

D  
C  
B  
A

D  
C  
B  
A



VIEW SHOWING ASSEMBLY OF LOGIC ACCESS COVER ASSEMBLY (ITEM 7 OR 25)

| REVISION HISTORY |            |      |
|------------------|------------|------|
| DATE             | ECO NUMBER | REV. |
|                  |            |      |
|                  |            |      |
|                  |            |      |
|                  |            |      |
|                  |            |      |
|                  |            |      |
|                  |            |      |
|                  |            |      |
|                  |            |      |

TITLE BASIC DISK DRIVE ASSEMBLY

| DOCUMENT NUMBER |      |             |              |
|-----------------|------|-------------|--------------|
| SIZE            | CODE | NUMBER      | REV.         |
| D               | AD   | 7018446-0-0 | P            |
| SCALE: —        |      |             | SHEET 2 OF 2 |

8 7 6 5 4 3 2 1

DAD 7018446-0-0 P

| LINE | ITEM | TOP DOCUMENT     | PART NUMBER | MIN REV | DESCRIPTION                     | QTY PER VARIATION |    |    |    |    |    |    |    |
|------|------|------------------|-------------|---------|---------------------------------|-------------------|----|----|----|----|----|----|----|
|      |      |                  |             |         |                                 | 00                | 01 | 02 | 03 | 04 | 05 | 06 | 07 |
| 1    | 1    | D-AD-7016773-0-0 | 7016773-00  |         | LOGIC CHASSIS ASSY (120V)       | 1                 | -  | -  | -  | -  | -  | -  | -  |
| 2    | 2    | D-AD-7016773-0-0 | 7016773-01  |         | LOGIC CHASSIS ASSY (240V)       | -                 | 1  | -  | -  | -  | -  | -  | -  |
| 3    | 3    | D-AD-7016741-0-0 | 7016741-00  |         | LOWER CHASSIS ASSY (60HZ, 120V) | 1                 | -  | 1  | -  | 1  | -  | 1  | -  |
| 4    | 4    | D-AD-7016741-0-0 | 7016741-01  |         | LOWER CHASSIS ASSY (50HZ, 240V) | -                 | 1  | -  | 1  | -  | 1  | -  | 1  |
| 5    | 5    | D-AD-7016773-0-0 | 7016773-04  |         | 60HZ, RA81                      | -                 | -  | -  | -  | 1  | -  | -  | -  |
| 6    | 6    | D-AD-7016773-0-0 | 7016773-05  |         | 50HZ, RA81                      | -                 | -  | -  | -  | -  | 1  | -  | -  |
| 7    | 7    | D-AD-7016990-0-0 | 7016990-00  |         | LOGIC ACCESS COVER ASSEMBLY     | 1                 | 1  | -  | -  | -  | -  | -  | -  |
| 8    | 8    | D-AD-7016782-0-0 | 7016782-00  |         | REAR COVER ASSEMBLY             | 1                 | 1  | -  | -  | -  | -  | -  | -  |
| 9    | 9    | D-IA-7017616-0-0 | 7017616-00  |         | BAFFLE ASSY, TOP                | 1                 | 1  | 1  | 1  | 1  | 1  | 1  | 1  |
| 10   | 10   | D-IA-7017615-0-0 | 7017615-00  |         | BAFFLE ASSY, BOTTOM             | 1                 | 1  | 1  | 1  | 1  | 1  | 1  | 1  |
| 11   | 11   | B-MD-7422822-0-0 | 7422822-00  |         | SCREW, PIVOT                    | 2                 | 2  | 2  | 2  | 2  | 2  | 2  | 2  |
| 12   | 12   | B-IA-7016735-0-0 | 7016735-00  |         | SERVO PRE-AMP CABLE ASSY.       | 1                 | 1  | 1  | 1  | 1  | 1  | 1  | 1  |
| 13   | 13   |                  | 1213756-09  |         | *** THIS ITEM IS NOT USED ***   | -                 | -  | -  | -  | -  | -  | -  | -  |
| 14   | 14   |                  | 1213756-03  |         | *** THIS ITEM IS NOT USED ***   | -                 | -  | -  | -  | -  | -  | -  | -  |
| 15   | 15   |                  | 9009636-00  |         | CLAMP,CABLE ADH MNT             | 10                | 10 | 10 | 10 | 10 | 10 | 10 | 10 |
| 16   | 16   |                  | 9006565-00  |         | *** THIS ITEM IS NOT USED ***   | -                 | -  | -  | -  | -  | -  | -  | -  |
| 17   | 17   |                  | 9006664-00  |         | WASHER,FLAT SST                 | 2                 | 2  | 2  | 2  | 2  | 2  | 2  | 2  |
| 18   | 18   |                  | 9006690-00  |         | WASHER,HELICAL SPLIT SST        | 2                 | 2  | 2  | 2  | 2  | 2  | 2  | 2  |
| 19   | 19   |                  | 9006036-01  |         | SCREW,MACH PAN PHIL 8-          | 2                 | 2  | 2  | 2  | 2  | 2  | 2  | 2  |
| 20   | 20   |                  | 9006659-00  |         | WASHER,FLAT S/PAS               | 6                 | 6  | 6  | 6  | 6  | 6  | 6  | 6  |
| 21   | 21   |                  | 9006560-00  |         | NUT,HEX EXT TOOTH LCKWSHR 6-32  | 6                 | 6  | 6  | 6  | 6  | 6  | 6  | 6  |
| 22   | 22   |                  | 1221368-05  | A       | SCREW,SEMS PAN PHIL 6-          | 4                 | 4  | 4  | 4  | 4  | 4  | 4  | 4  |
| 23   | 23   | D-AD-7016773-0-0 | 7016773-02  |         | LOGIC CHASSIS ASSY (60HZ,120V)  | -                 | -  | 1  | -  | -  | -  | 1  | -  |
| 24   | 24   | D-AD-7016773-0-0 | 7016773-03  |         | LOGIC CHASSIS ASSY (50HZ,240V)  | -                 | -  | -  | 1  | -  | -  | -  | 1  |
| 25   | 25   | D-AD-7019695-0-0 | 7019695-01  |         | *** THIS ITEM IS NOT USED ***   | -                 | -  | -  | -  | -  | -  | -  | -  |
| 26   | 26   |                  | 9006710-00  |         | WASHER,FLAT NYLON               | 2                 | 2  | 2  | 2  | 2  | 2  | 2  | 2  |
| 27   | 27   | D-AD-7019687-0-0 | 7019687-01  |         | REAR COVER ASSY                 | -                 | -  | 1  | 1  | 1  | 1  | 1  | 1  |
| 28   | 28   | D-AD-7019695-0-0 | 7019695-02  |         | LOGIC COVER ASSEMBLY (THIN)     | -                 | -  | 1  | 1  | 1  | 1  | 1  | 1  |

| REVISION HISTORY |               |     | BASIC PART NO: 7018446  |                        |                      |
|------------------|---------------|-----|-------------------------|------------------------|----------------------|
| ENG              | ECO NUMBER    | REV | SECTION A OF A          | DRN: R. NICOLAISEN     | DATE: 13-MAR-81      |
| JN               | R80-CX008     | A   | SECTION.VARIATION INDEX | CHK'D: D. MILLER       | DATE: 8-APR-81       |
| JN               | 7018446-CX001 | B   | [A]00,01,02,03,04,05,   |                        |                      |
| MA               | R80-CX009     | C   | 06,07                   |                        |                      |
| JN               | R80-CX010     | D   | [B]                     | DES.ENG: G. NORDBERG   | DATE: 8-APR-81       |
| JN               | R80-CX012     | E   |                         |                        |                      |
| GF               | 7018446-CX03A | F   | [C]                     |                        |                      |
| TF               | 7018446-CX004 | H   |                         | RESP.ENG.: G. NORDBERG | DATE: 8-APR-81       |
| GN               | 7019062-CX002 | J   | [D]                     |                        |                      |
| JR               | R80-CX14A     | K   |                         |                        |                      |
| JN               | RA80-CX003    | L   | [E]                     | MFG.ENG.: W. BASSETT   | DATE: 8-APR-81       |
| JR               | 7018446-CX006 | M   |                         |                        |                      |
| JR               | RM80-CX009    | N   | [F]                     | ASSEMBLY NUMBER:       | TOP DOCUMENT NUMBER: |
| JR               | 7019062-CX004 | P   |                         | D-AD-7018446-0-0       | #B-DD-7018446-0      |
|                  |               |     |                         |                        | FILE NAME:           |
|                  |               |     |                         |                        | Z2177P.PLS           |
|                  |               |     |                         |                        | EDIT #:              |
|                  |               |     |                         |                        | 17                   |

29 APR 81  
*John D. ... 2 Dec 1983*

"THIS DRAWING AND THE SPECIFICATIONS CONTAINED HEREIN ARE CONFIDENTIAL AND PROPRIETARY. THEY ARE THE PROPERTY OF DIGITAL EQUIPMENT CORPORATION AND SHALL NOT BE REPRODUCED OR COPIED OR USED IN WHOLE OR IN PART AS THE BASIS FOR THE MANUFACTURE OR SALE OF ITEMS WITHOUT WRITTEN PERMISSION. THIS IS AN UNPUBLISHED WORK PROTECTED UNDER THE FEDERAL COPYRIGHT LAWS."



| LINE ITEM | TOP DOCUMENT | PART NUMBER | MIN<br>REV | DESCRIPTION                      | QTY PER VARIATION |    |    |    |          |          |          |          |
|-----------|--------------|-------------|------------|----------------------------------|-------------------|----|----|----|----------|----------|----------|----------|
|           |              |             |            |                                  | 00                | 01 | 02 | 03 | 04<br>A1 | 05<br>A1 | 06<br>A1 | 07<br>A1 |
| 29        | 29           | 9008264-00  | A          | MOUNT, CABLE TIE, ADHESIVE BACKE | 1                 | 1  | 1  | 1  | 1        | 1        | 1        | 1        |
| 30        | 30           | 9007032-00  | D          | TIE,CABLE BUNDL.DIA 0-1-3/4"=101 | 2                 | 2  | 2  | 2  | 2        | 2        | 2        | 2        |
| 31        | 31           | 1220952-01  | A          | SHIELD,EMI/RFI STRIPS COPPER     | 2                 | 2  | 2  | 2  | 2        | 2        | 2        | 2        |

- 32 NOTE: -
- 33 NOTE: - PART NUMBER
- 34 NOTE: - 7018446-00
- 35 NOTE: - 7018446-01
- 36 NOTE: - 7018446-02
- 37 NOTE: - 7018446-03
- 38 NOTE: - 7018446-04
- 39 NOTE: - 7018446-05
- 40 NOTE: - 7018446-06
- 41 NOTE: - 7018446-07

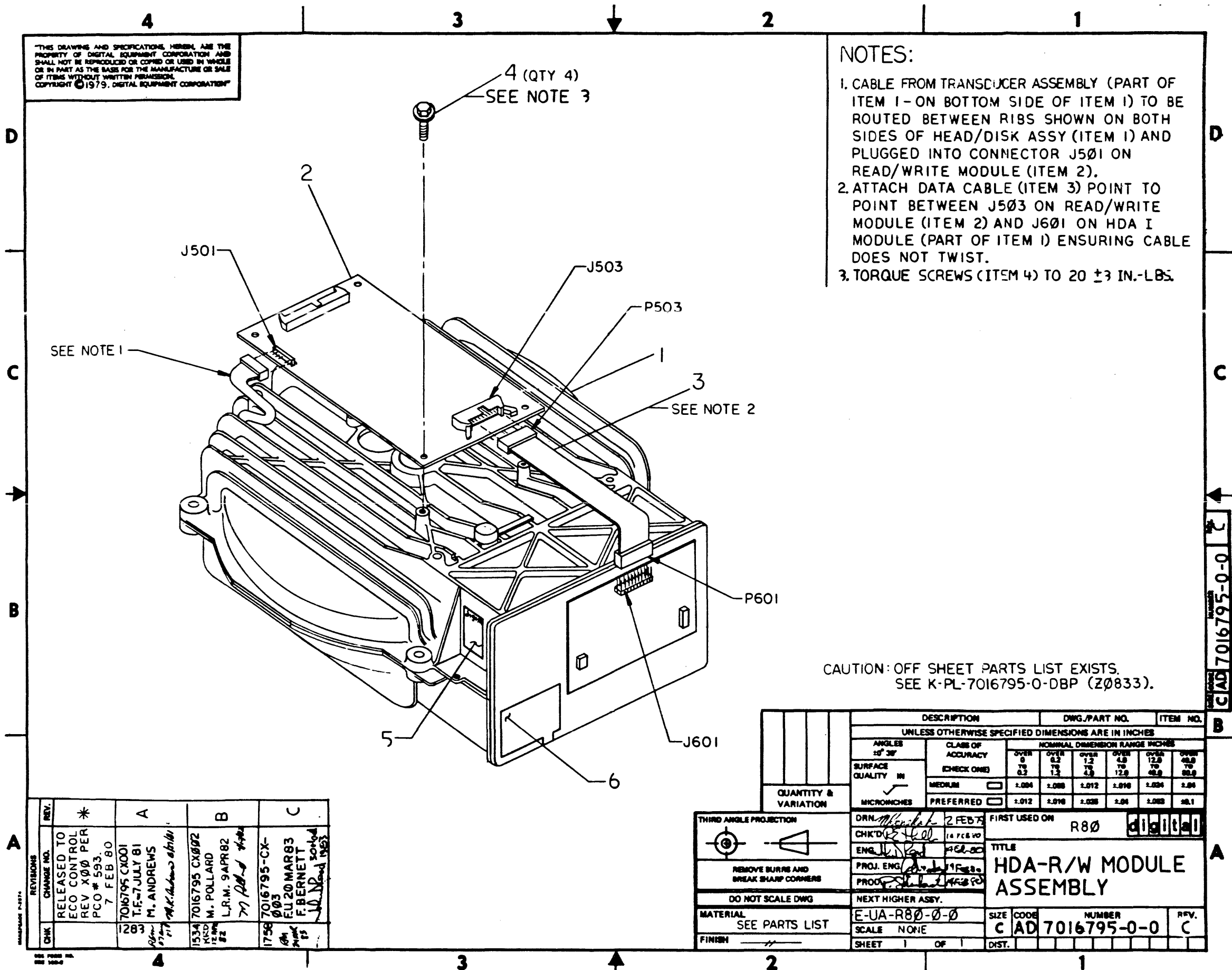
- LEGEND-
- | VARIATION   |
|---|
| DISK DRIVE, BASIC, 120V, 60HZ NOT FCC COMPLIANT         |
| DISK DRIVE, BASIC, 240V, 50HZ NOT FCC COMPLIANT         |
| DISK DRIVE, BASIC, 120V, 60HZ, FCC COMPLIANT            |
| DISK DRIVE, BASIC, 240V, 50HZ, FCC COMPLIANT            |
| DISK DRIVE, BASIC, 120V, 60HZ, RA81 FCC COMPLIANT       |
| DISK DRIVE, BASIC, 240V, 50HZ, RA81 FCC COMPLIANT       |
| DISK DRIVE, BASIC, 120V, 60HZ, RA80-AE-AJ FCC COMPLIANT |
| DISK DRIVE, BASIC, 240V, 50HZ, RA80-AE-AJ FCC COMPLIANT |

|                   |                           |                    |          |          |                     |         |
|-------------------|---------------------------|--------------------|----------|----------|---------------------|---------|
| ! D I G I T A L ! | ! TITLE                   | ! SECTION A OF A ! | ! SIZE ! | ! CODE ! | ! DOCUMENT NUMBER ! | ! REV ! |
|                   | BASIC DISK DRIVE ASSEMBLY |                    | K        | PL       | 7018446-0-DBP       | P       |

THIS DRAWING AND SPECIFICATIONS HEREIN ARE THE PROPERTY OF DIGITAL EQUIPMENT CORPORATION AND SHALL NOT BE REPRODUCED OR COPIED OR USED IN WHOLE OR IN PART AS THE BASIS FOR THE MANUFACTURE OR SALE OF ITEMS WITHOUT WRITTEN PERMISSION. COPYRIGHT © 1979, DIGITAL EQUIPMENT CORPORATION

NOTES:

1. CABLE FROM TRANSDUCER ASSEMBLY (PART OF ITEM 1 - ON BOTTOM SIDE OF ITEM 1) TO BE ROUTED BETWEEN RIBS SHOWN ON BOTH SIDES OF HEAD/DISK ASSY (ITEM 1) AND PLUGGED INTO CONNECTOR J501 ON READ/WRITE MODULE (ITEM 2).
2. ATTACH DATA CABLE (ITEM 3) POINT TO POINT BETWEEN J503 ON READ/WRITE MODULE (ITEM 2) AND J601 ON HDA I MODULE (PART OF ITEM 1) ENSURING CABLE DOES NOT TWIST.
3. TORQUE SCREWS (ITEM 4) TO  $20 \pm 3$  IN.-LBS.



CAUTION: OFF SHEET PARTS LIST EXISTS. SEE K-PL-7016795-0-DBP (ZØ833).

| REV. | CHG.                    | DATE           | BY              | CHK. |
|------|-------------------------|----------------|-----------------|------|
| 1    | RELEASED TO ECO CONTROL |                |                 |      |
| 2    | REV XØØ PER PCO # 593   | 7 FEB 80       |                 |      |
| 3    | 7016795 CXØØ1           | T.F. 7 JULY 81 | M. ANDREWS      |      |
| 4    | 7016795 CXØØ2           |                | M. POLLARD      |      |
| 5    | 7016795 CXØØ3           |                | L.R.M. 9 APR 82 |      |
| 6    | 7016795-CX-ØØ3          |                | F. BERNETT      |      |
| 7    | 7016795-CX-ØØ3          |                | F. BERNETT      |      |

| DESCRIPTION   | DWG./PART NO.                         | ITEM NO.                         |
|---|---------------------------------------|----------------------------------|
| UNLESS OTHERWISE SPECIFIED DIMENSIONS ARE IN INCHES |                                       |                                  |
| ANGLE ±Ø' 30'                                       | CLASS OF ACCURACY (CHECK ONE)         | NOMINAL DIMENSION RANGE INCHES   |
| SURFACE QUALITY IN MICRONS                          | MEDIUM <input type="checkbox"/>       | OVER 0 TO 0.2                    |
|   | PREFERRED <input type="checkbox"/>    | OVER 0.2 TO 0.3                  |
| QUANTITY & VARIATION                                | MEDIUM <input type="checkbox"/>       | OVER 0.3 TO 0.6                  |
|   |                                       | OVER 0.6 TO 1.2                  |
|   |                                       | OVER 1.2 TO 2.5                  |
|   |                                       | OVER 2.5 TO 6.0                  |
|   |                                       | OVER 6.0 TO 30.0                 |
|   |                                       | OVER 30.0 TO 100.0               |
| THIRD ANGLE PROJECTION                              | DRN. <i>M. Andrews</i> 2 FEB 79       | FIRST USED ON R8Ø <i>digital</i> |
| REMOVE BURRS AND BREAK SHARP CORNERS                | CHK'D <i>J. L. ...</i> 14 FEB 80      | TITLE HDA-R/W MODULE ASSEMBLY    |
| DO NOT SCALE DWG                                    | PROJ. ENG. <i>J. L. ...</i> 19 FEB 80 | SIZE CODE C                      |
| MATERIAL SEE PARTS LIST                             | DO NOT SCALE DWG                      | NUMBER AD 7016795-0-0            |
| FINISH  | SCALE NONE                            | REV. C                           |
|   | SHEET 1 OF 1                          | DIST.                            |

C IAD 7016795-0-0 C

| LINE | ITEM | TOP DOCUMENT     | PART NUMBER | MIN REV | DESCRIPTION               | QTY PER VARIATION |
|------|------|------------------|-------------|---------|---------------------------|-------------------|
| 1    | 1    | E-AD-7016225-0-0 | 7016225-00  |         | HEAD/DISK ASSEMBLY        | 1                 |
| 2    | 2    | D-UA-5413596-0-0 | 5413596-00  |         | READ/WRITE                | 1                 |
| 3    | 3    | C-IA-7016738-0-0 | 7016738-01  |         | R80 DATA 20 CABLE ASSY    | 1                 |
| 4    | 4    |                  | 9010075-00  |         | SCREW,TAP HEXWW THD RL 8- | 4                 |
| 5    | 5    |                  | 3618566-01  |         | LABEL,DATA                | 1                 |
| 6    | 6    |                  | 3618565-01  |         | LABEL,ATTENTION           | 1                 |

| REVISION HISTORY |               |     | BASIC PART NO: 7016795  |  | DRN:             | M. KONSHAK    | DATE: 07-SEP-79      | D I G I T A L           |        |               |     |
|------------------|---------------|-----|-------------------------|--|------------------|---------------|----------------------|-------------------------|--------|---------------|-----|
| ENG              | ECO NUMBER    | REV | SECTION A OF A          |  |                  |               |                      | TITLE PARTS LIST        |        |               |     |
|                  | INITIAL       | *   | SECTION VARIATION INDEX |  | CHK'D:           | R. E. THELLEN | DATE: 13-FEB-80      | HDA-R/W MODULE ASSEMBLY |        |               |     |
| MA               | 7016795-CX001 | A   | [A]00                   |  |                  |               |                      |                         |        |               |     |
| MP               | 7016795-CX002 | B   |                         |  |                  |               |                      |                         |        |               |     |
| FB               | 7016795-CX003 | C   | [B]                     |  | DES.ENG:         | J. READ       | DATE: 13-FEB-80      | DOCUMENT NUMBER         |        |               |     |
|                  |               |     | [C]                     |  |                  |               |                      | SIZE                    | CODE   | NUMBER        | REV |
|                  |               |     | [D]                     |  | RESP.ENG.:       | P. SVENDSEN   | DATE: 13-FEB-80      | K                       | PL     | 7016795-0-DBP | C   |
|                  |               |     | [E]                     |  | MFG.ENG.:        | P. SHINKEVICH | DATE: 13-FEB-80      | RELEASE DATE:           |        |               |     |
|                  |               |     | [F]                     |  | ASSEMBLY NUMBER: |               | TOP DOCUMENT NUMBER: | FILE NAME:              | EDIT # |               |     |
|                  |               |     |                         |  | C-AD-7016795-0-0 |               | # B-DD-R80-0         | Z0833C.PLS              | 15     |               |     |

\*THIS DRAWING AND THE SPECIFICATIONS CONTAINED HEREIN ARE CONFIDENTIAL AND PROPRIETARY. THEY ARE THE PROPERTY OF DIGITAL EQUIPMENT CORPORATION AND SHALL NOT BE REPRODUCED OR COPIED OR USED IN WHOLE OR IN PART AS THE BASIS FOR THE MANUFACTURE OR SALE OF ITEMS WITHOUT WRITTEN PERMISSION. THIS IS AN UNPUBLISHED WORK PROTECTED UNDER THE FEDERAL COPYRIGHT LAWS.\*

THIS DRAWING AND SPECIFICATIONS HEREBY ARE THE PROPERTY OF DIGITAL EQUIPMENT CORPORATION AND SHALL NOT BE REPRODUCED OR COPIED OR USED IN WHOLE OR IN PART AS THE BASIS FOR THE MANUFACTURE OR SALE OF ITEMS WITHOUT WRITTEN PERMISSION. COPYRIGHT © 1979, DIGITAL EQUIPMENT CORPORATION

**SPECIFICATIONS:**

**ELECTRICAL:**

- INPUT VOLTAGE (SINGLE PHASE, 2 WIRE)  
90-128 Vrms - H766A  
180-256 Vrms - H766B
- INPUT FREQUENCY  
59-61 Hz - H766A  
49-51 Hz - H766B
- INPUT CURRENT (SEE NOTE 2)  
6.0 AMPS NOM AT 120V  
3.0 AMPS NOM AT 240V
- INPUT POWER (SEE NOTE 2)  
720 VA H766A NOM  
720 VA H766B NOM
- DC OUTPUTS  
+5V AT 10 A MAX  
-5V AT 2 A MAX  
+24V AT 3 A MAX  
-24V AT 3 A MAX
- EFFICIENCY  
40 PERCENT MIN AT FULL LOAD

**MECHANICAL:**

- DIMENSIONS  
17.50 (444.5 MM) WIDE x 9.00 (228.6 MM) HIGH x 5.82 (148 MM) DEEP.

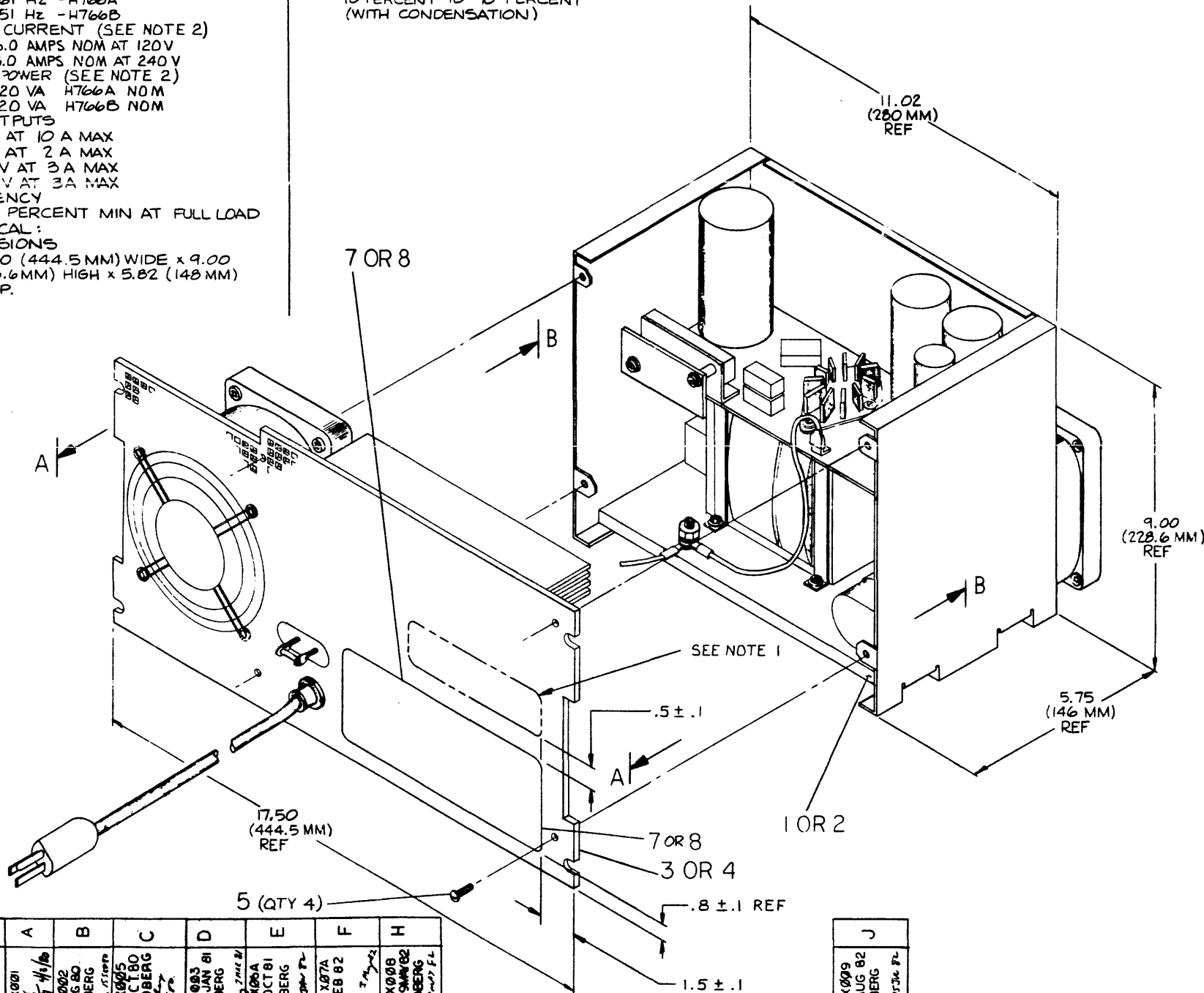
**WEIGHT**

- 32 POUNDS (14.52 KG)
- COOLING  
FORCED AIR, 115 CFM FAN
- AMBIENT TEMPERATURE  
OPERATING -0°C -60°C  
STORAGE - -40°C - +70°C
- ALTITUDE  
10,000 FEET (3048 METERS) MAX
- RELATIVE HUMIDITY  
10 PERCENT TO 90 PERCENT (WITH CONDENSATION)

| LEGEND   |           |
|----------|-----------|
| PART NO. | VARIATION |
| H766-A   | 120V 60HZ |
| H766-B   | 240V 50HZ |

**NOTES:**

1. STAMP IN INDELIBLE INK WHERE SHOWN WITH DIGITAL PART NO., APPROPRIATE DASH NO., ASSEMBLY REV AND MANUFACTURING LOCATION.
2. CURRENT AND POWER RATINGS ARE NOMINAL AND REFLECT 1/3 HP DRIVE MOTOR RUNNING AT 3400 RPM.
3. ATTACH GROUNDS (GREEN/YELLOW WIRES) FROM CAPACITOR BOARD AND FROM REAR PANEL USING SCREW (ITEM 5) AND LOCK WASHER (ITEM 9) AS SHOWN.



CAUTION: OFF SHEET PARTS LIST EXISTS. SEE K-PL-H766-0-DBP (Z0501).

| QUANTITY & VARIATION                 | DESCRIPTION   | DWG./PART NO.                              | ITEM NO.   |
|--------------------------------------|---|--|--|
|                                      | UNLESS OTHERWISE SPECIFIED DIMENSIONS ARE IN INCHES |  |  |
|                                      | ANGLES<br>30° 30'                                   | CLASS OF ACCURACY<br>(CHECK ONE)           | NOMINAL DIMENSION RANGE INCHES   |
|                                      |   |  | OVER 0 TO 0.2<br>0.2 TO 0.5<br>0.5 TO 1.2<br>1.2 TO 2.0<br>2.0 TO 4.0<br>4.0 TO 12.0<br>12.0 TO 48.0<br>48.0 TO 96.0 |
|                                      | SURFACE QUALITY IN MICROINCHES                      |  |  |
|                                      | MEDIUM  |  | 2.004 2.008 2.012 2.016 2.024 2.031  |
|                                      | PREFERRED   |  | 2.012 2.018 2.025 2.031 2.039 2.047  |
| THIRD ANGLE PROJECTION               | DRN. <i>M. Engle</i> (7 APR 79)                     | FIRST USED ON                              | <b>digital</b>   |
| REMOVE BURRS AND BREAK SHARP CORNERS | CHK'D <i>M. Engle</i> (25 APR 79)                   | TITLE<br><b>H766 POWER SUPPLY ASSEMBLY</b> |  |
| DO NOT SCALE DWG                     | ENG. <i>J. R. Kelly</i> (11 FEB 79)                 | MATERIAL<br>SEE OFF SHEET PARTS LIST       |  |
|                                      | PROD. <i>W. [unclear]</i> (15 MAR 79)               | SCALE NONE                                 | SIZE CODE<br><b>D UA</b>   |
|                                      | NEXT HIGHER ASSY.                                   | NUMBER<br><b>H766-0-0</b>                  | REV.<br><b>J</b>   |
| FINISH                               |   | SHEET OF 2                                 | DIST.  |

| REV. | DESCRIPTION                                   | A | B | C | D | E | F | G | H | I |
|------|---|---|---|---|---|---|---|---|---|---|
| 1    | RELEASED TO ECO CONTROL PEB PCO-589 18 JAN 80 |   |   |   |   |   |   |   |   |   |
| 2    | H766-CX001 M. KIELY 4/1/80                    |   |   |   |   |   |   |   |   |   |
| 3    | H766-CX002 G. NORDBERG 12/27 AUG 80           |   |   |   |   |   |   |   |   |   |
| 4    | H766-CX005 K.D. 3 OCT 80                      |   |   |   |   |   |   |   |   |   |
| 5    | H766-CX003 J. NORDBERG 20 JAN 81              |   |   |   |   |   |   |   |   |   |
| 6    | H766-CX004 T.F. 14 OCT 81                     |   |   |   |   |   |   |   |   |   |
| 7    | H766-CX007 T.F. 2 FEB 82                      |   |   |   |   |   |   |   |   |   |
| 8    | H766-CX008 M.B. 15 MAR 82                     |   |   |   |   |   |   |   |   |   |
| 9    | H766-CX009 M.N. 18 AUG 82                     |   |   |   |   |   |   |   |   |   |
| 10   | H766-CX010 J. NORDBERG 22 FEB 82              |   |   |   |   |   |   |   |   |   |

DUA H766-0-0 J

8

0-0-994H DUA 3000 SIZE

6

5

4

3

2

1

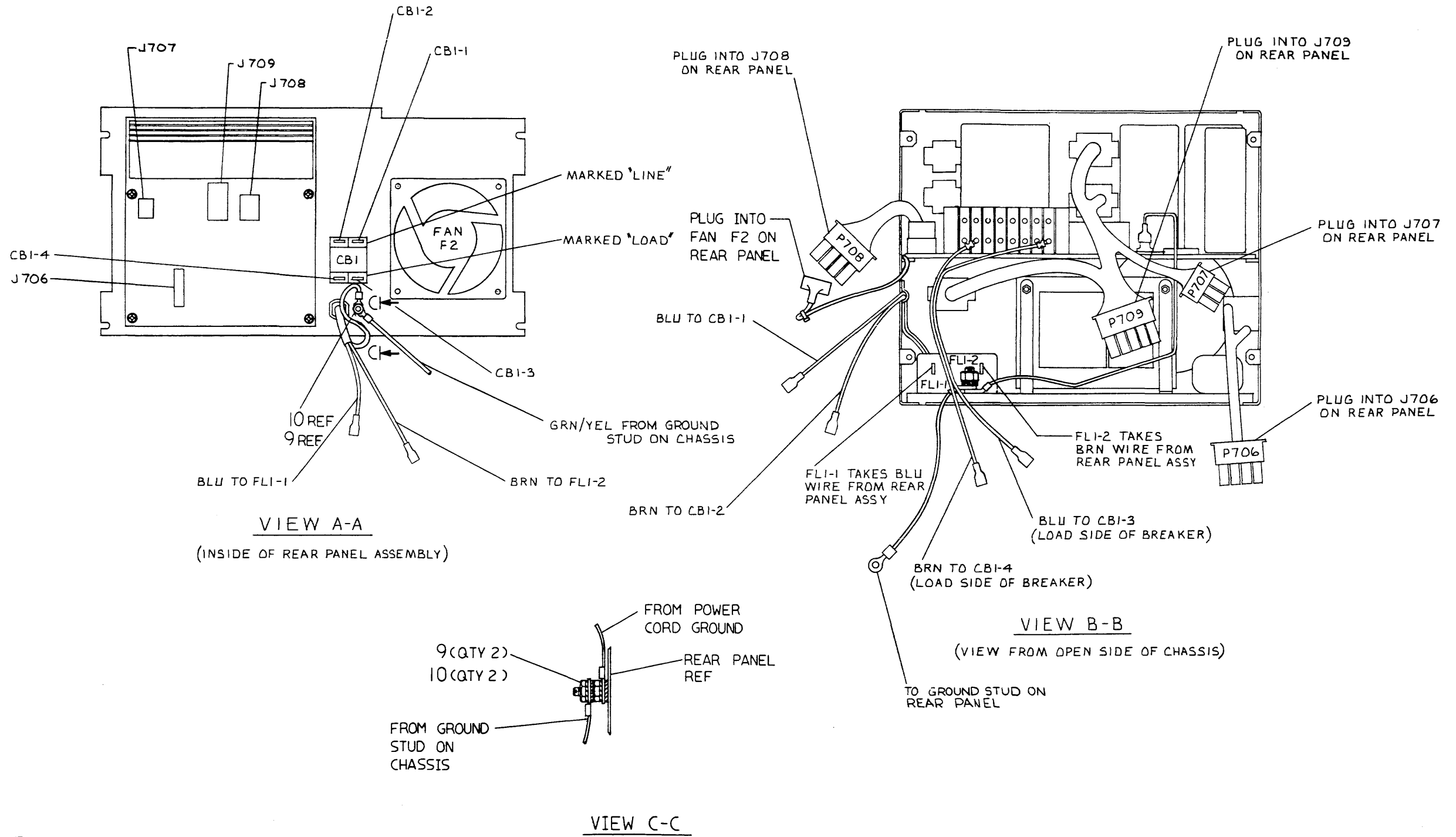
THIS DRAWING AND SPECIFICATIONS HEREIN ARE THE PROPERTY OF DIGITAL EQUIPMENT CORPORATION AND SHALL NOT BE REPRODUCED OR COPIED OR USED IN WHOLE OR IN PART AS THE BASIS FOR THE MANUFACTURE OR SALE OF ITEMS WITHOUT WRITTEN PERMISSION. COPYRIGHT © 1979 DIGITAL EQUIPMENT CORPORATION

D

C

B

A



VIEW A-A  
(INSIDE OF REAR PANEL ASSEMBLY)

VIEW B-B  
(VIEW FROM OPEN SIDE OF CHASSIS)

VIEW C-C

| REVISION HISTORY |            |      |
|------------------|------------|------|
| DATE             | ECO NUMBER | REV. |
|                  |            |      |

TITLE H766 POWER SUPPLY ASSEMBLY

| DOCUMENT NUMBER |          |              |
|-----------------|----------|--------------|
| SIZE CODE       | NUMBER   | REV.         |
| DUA             | H766-0-0 | J            |
| SCALE NONE      |          | SHEET 2 OF 2 |

DUA H766-0-0

8

7

6

5

4

3

2

1

| LINE ITEM | DOCUMENT NUMBER | PART NUMBER      | DESCRIPTION | QUANTITY PER VARIATION          |         |
|-----------|-----------------|------------------|-------------|---------------------------------|---------|
|           |                 |                  |             | A                               | B       |
| 1         | 1               | E-AD-7016794-0-0 | 7016794-00  | POWER SUPPLY CHASSIS ASSEMBLY   | 1 -     |
| 2         | 2               | E-AD-7016794-0-0 | 7016794-01  | H766 CHASSIS ASSY.(240V/50HZ)   | - 1     |
| 3         | 3               | E-AD-7016227-0-0 | 7016227-00  | REAR PANEL ASSY                 | 1 -     |
| 4         | 4               | E-AD-7016227-0-0 | 7016227-01  | REAR PANEL ASSY.                | - 1     |
| 5         | 5               |                  | 9006418-01  | SCREW,TAP FAN PHIL THD RL 8-    | 4 4     |
| 6         | 6               |                  | 9009255-01  | *** THIS ITEM IS NOT USED ***   | - -     |
| 7         | 7               |                  | 3617323-00  | LABEL,H766A P.S. 60HZ           | 1 -     |
| 8         | 8               |                  | 3617323-01  | LABEL,H766B P.S. 50HZ           | - 1     |
| 9         | 9               |                  | 9006565-00  | NUT,HEX EXT TOOTH LCKWSHR 10-32 | 2 2     |
| 10        | 10              |                  | 9007651-00  | WASHER,LOCK EXTERNAL STEEL      | 2 2     |
| 11        | 11              | D-CS-H766-0-2    |             | H766 POWER SUPPLY               | REF REF |

12 NOTE: -  
 13 NOTE: -  
 14 NOTE: -  
 15 NOTE: -

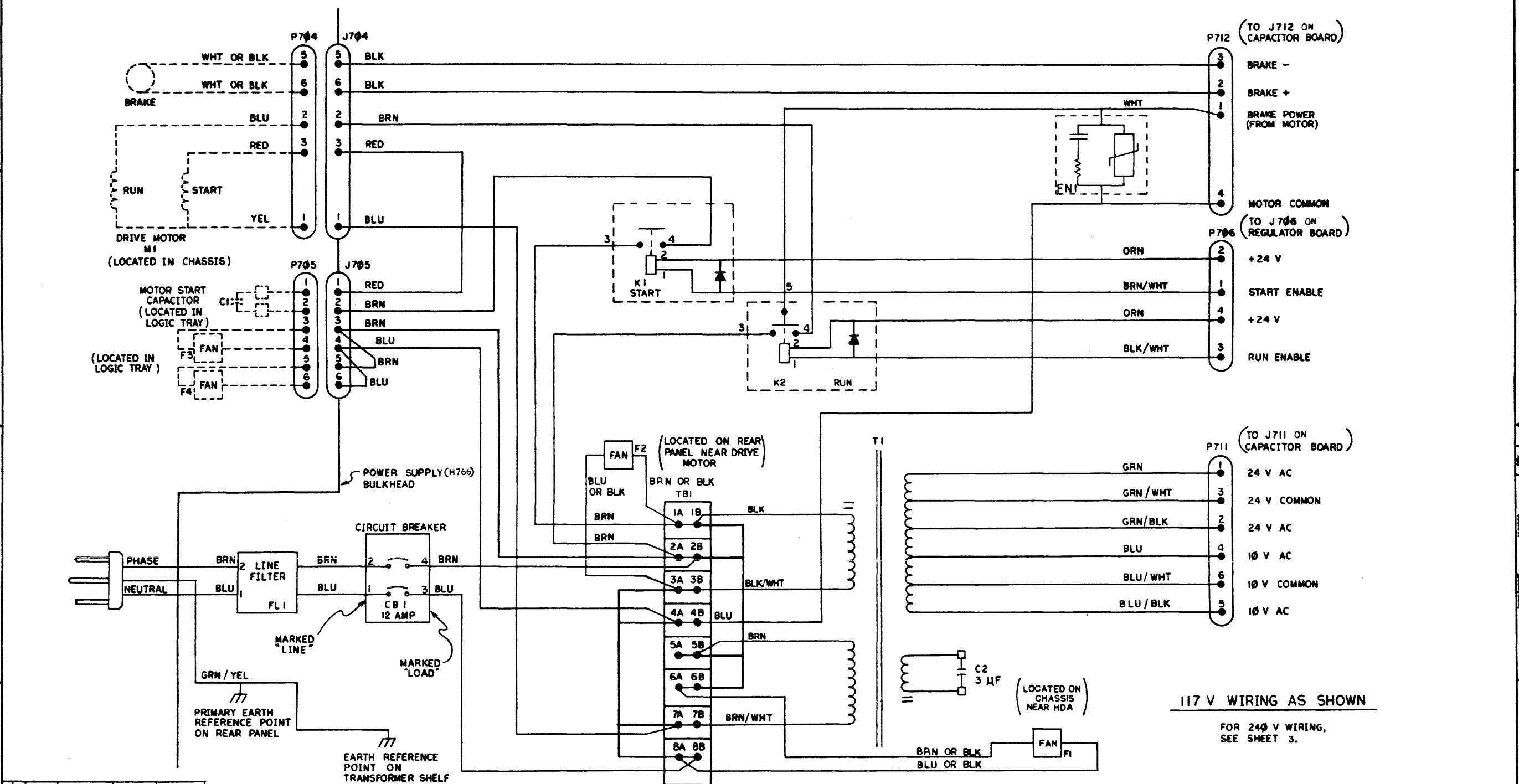
LEGEND

| PART NUMBER | DESCRIPTION |
|-------------|-------------|
| H766-A      | 120V/60HZ   |
| H766-B      | 240V/50HZ   |

| REVISION HISTORY |            | BASIC PART NO: OH766 |                          | DRN:             | M. ENGLE   | DATE: 15-MAY-79      | D I G I T A L              |      |            |     |
|------------------|------------|----------------------|--------------------------|------------------|------------|----------------------|----------------------------|------|------------|-----|
| ENG              | ECO NUMBER | REV                  | SECTION A OF A           | CHK'D:           | W. MAJOR   | DATE: 26-SEP-79      | TITLE PARTS LIST           |      |            |     |
| GN               |            |                      | SECTION, VARIATION INDEX |                  |            |                      | H766 POWER SUPPLY ASSEMBLY |      |            |     |
| GRN              | R80-565    | *                    | [A] A ,B                 |                  |            |                      | DOCUMENT NUMBER            |      |            |     |
| MK               | H766-CX001 | A                    | [B]                      | DES.ENG.:        | A. CLARK   | DATE: 26-SEP-79      |                            |      |            |     |
| GN               | H766-CX002 | B                    |                          |                  |            |                      |                            |      |            |     |
| GN               | R80-CX005  | C                    | [C]                      | RESP.ENG.:       | W. MONTERO | DATE: 26-SEP-79      | DOCUMENT NUMBER            |      |            |     |
| JN               | H766-CX003 | D                    | [D]                      |                  |            |                      | SIZE                       | CODE | NUMBER     | REV |
| JN               | H766-CX06A | E                    | [E]                      |                  |            |                      |                            |      |            |     |
| BR               | H766-CX07A | F                    |                          |                  |            |                      |                            |      |            |     |
| JN               | H766-CX008 | H                    | [H]                      | MFG.ENG.:        | W. EHRMANN | DATE: 16-JAN-80      | K                          | PL   | H766-0-DBP | J   |
| JN               | H766-CX009 | J                    | [J]                      |                  |            |                      |                            |      |            |     |
|                  |            |                      | [F]                      | ASSEMBLY NUMBER: |            | TOP DOCUMENT NUMBER: | FILE NAME:                 |      | EDIT #     |     |
|                  |            |                      |                          | D-UA-H766-0-0    |            | B-DD-H766-0          | Z0501J.PLS                 |      | 54         |     |

\*THIS DRAWING AND SPECIFICATIONS HEREIN, ARE THE PROPERTY OF DIGITAL EQUIPMENT CORPORATION AND SHALL NOT BE REPRODUCED OR COPIED OR USED IN WHOLE OR IN PART AS THE BASIS FOR THE MANUFACTURE OR SALE OF ITEMS WITHOUT WRITTEN PERMISSION. COPYRIGHT (C) 1982, DIGITAL EQUIPMENT CORPORATION \*

THIS DRAWING AND SPECIFICATIONS HEREIN ARE THE PROPERTY OF DIGITAL EQUIPMENT CORPORATION AND SHALL NOT BE REPRODUCED OR COPIED OR USED IN WHOLE OR IN PART AS THE BASIS FOR THE MANUFACTURE OR SALE OF ITEMS WITHOUT WRITTEN PERMISSION.  
 1980 DIGITAL EQUIPMENT CORPORATION

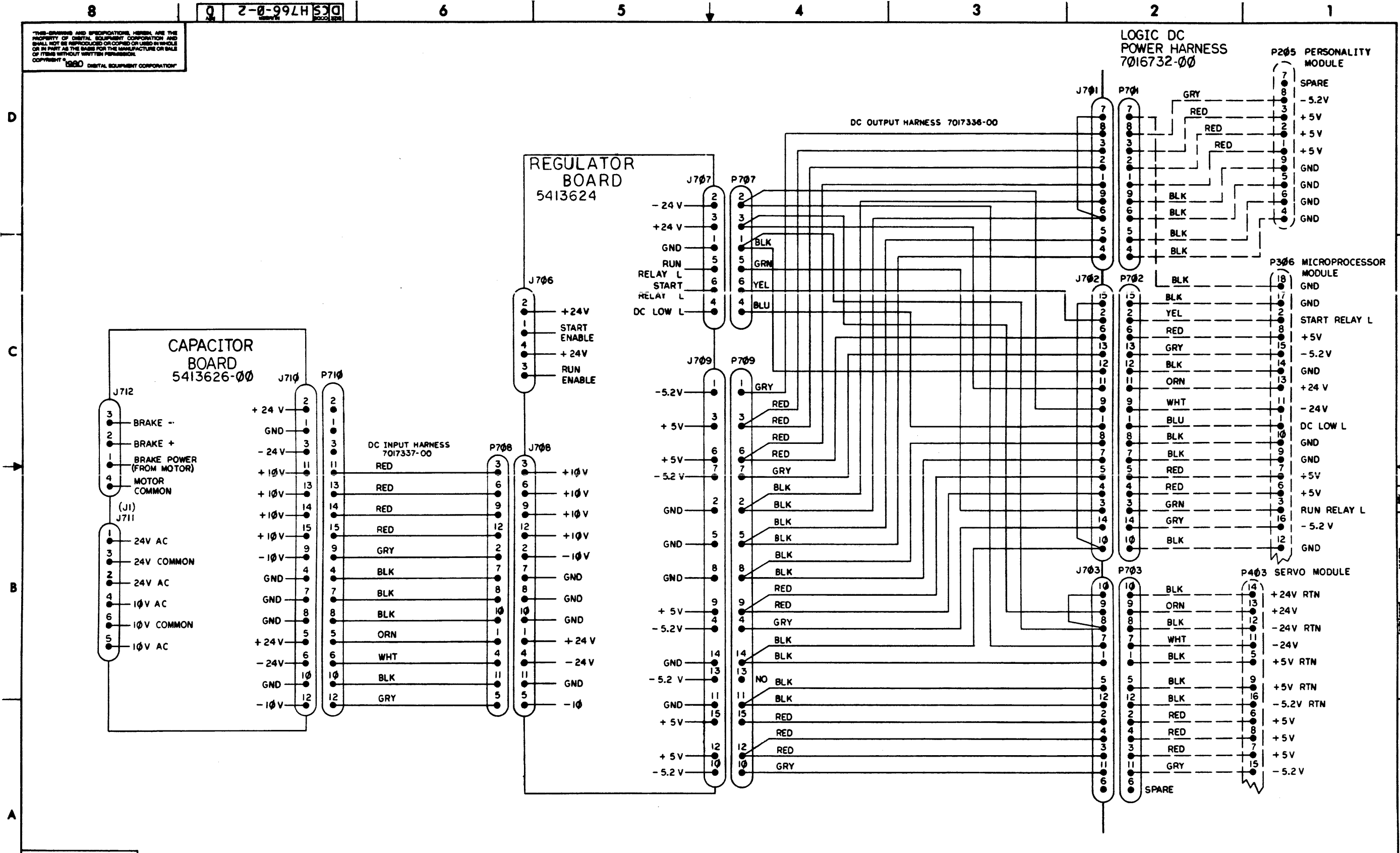


117 V WIRING AS SHOWN  
 FOR 240 V WIRING, SEE SHEET 3.

| DATE  | REVISION HISTORY                            | REV. |
|-------|---|------|
| 12/82 | RELEASED TO ECO CONTROL PER ECO H766-CX07A  | A    |
| 1/83  | H766-CX003 R.N. 29 JAN 81 J. NORDBERG       | B    |
| 1/83  | H766-CX07A T.F. 1 FEB 82 B. RAY             | C    |
| 1/83  | H766-CX008 R.C. NEILL 20 MAR 82 J. NORDBERG | D    |

|                          |                   |                                |
|--------------------------|-------------------|--------------------------------|
| DESIGNED BY<br>W. M. ... | DATE<br>3 Dec 79  | TITLE<br>digital               |
| CHECKED BY<br>W. M. ...  | DATE<br>19 SEP 80 | H766<br>POWER SUPPLY           |
| APPROVED BY<br>W. M. ... | DATE<br>19 SEP 80 | DOCUMENT NUMBER<br>DCSH766-0-2 |
| DATE<br>19 SEP 80        | SCALE<br>1:1      | SHEET<br>OF 3                  |

THE DIMENSIONS AND SPECIFICATIONS HEREIN ARE THE PROPERTY OF DIGITAL EQUIPMENT CORPORATION AND SHALL NOT BE REPRODUCED OR COPIED OR USED IN WHOLE OR IN PART AS THE BASIS FOR THE MANUFACTURE OR SALE OF ITEMS WITHOUT WRITTEN PERMISSION.  
 COPYRIGHT © 1980 DIGITAL EQUIPMENT CORPORATION



| REVISION HISTORY |            |      |
|------------------|------------|------|
| DATE             | ECO NUMBER | REV. |
|                  |            |      |

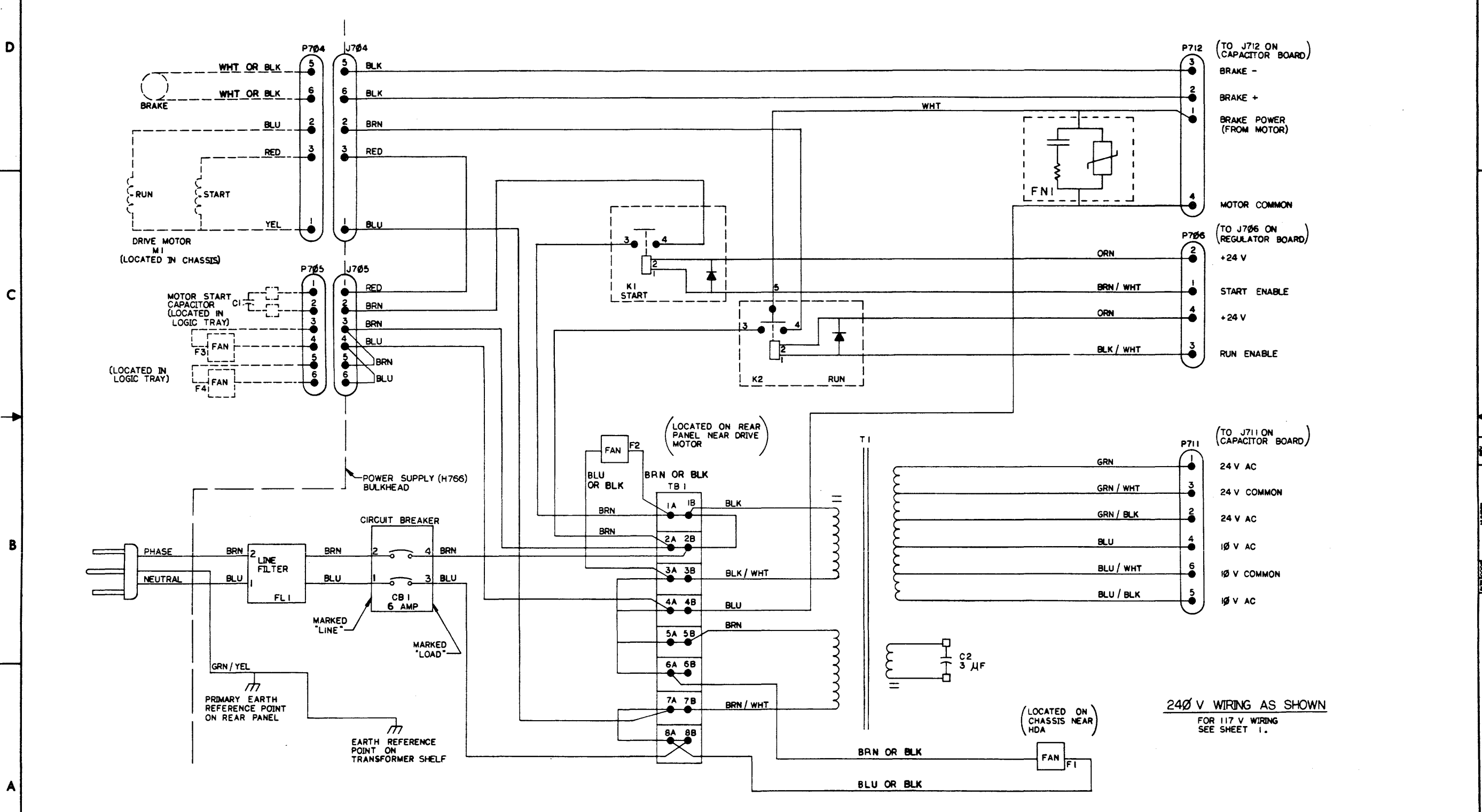
TITLE  
**H766 POWER SUPPLY**

| DOCUMENT NUMBER |              |      |
|-----------------|--------------|------|
| SIZE CODE       | NUMBER       | REV. |
| DCS             | H766-0-2     | D    |
| SCALE           | SHEET 2 OF 3 |      |



THIS DRAWING AND SPECIFICATIONS HEREON ARE THE PROPERTY OF DIGITAL EQUIPMENT CORPORATION AND SHALL NOT BE REPRODUCED OR COPIED OR USED IN WHOLE OR IN PART AS THE BASIS FOR THE MANUFACTURE OR SALE OF ITEMS WITHOUT WRITTEN PERMISSION.  
 COPYRIGHT © 1980 DIGITAL EQUIPMENT CORPORATION

DCS H766-0-2



240 V WIRING AS SHOWN  
 FOR 117 V WIRING  
 SEE SHEET 1.

| REVISION HISTORY |            |      |
|------------------|------------|------|
| DATE             | ECO NUMBER | REV. |
|                  |            |      |

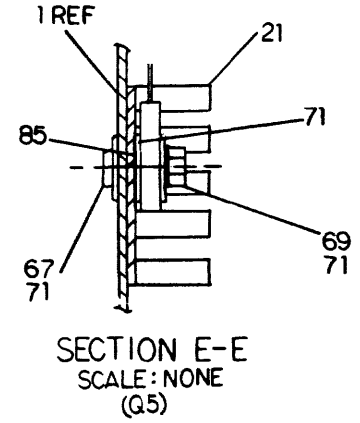
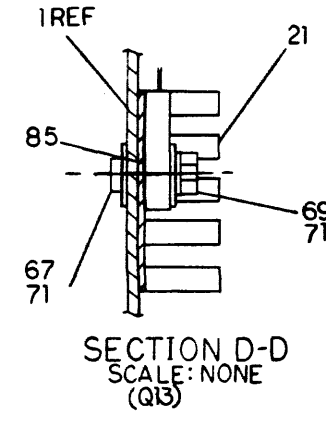
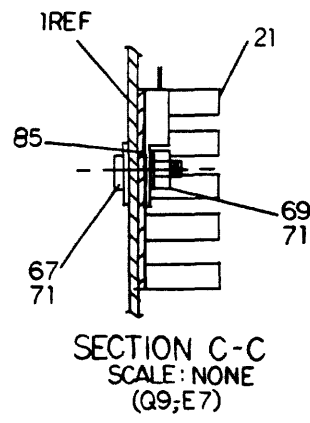
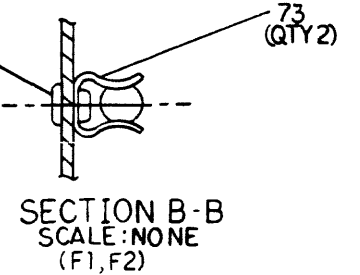
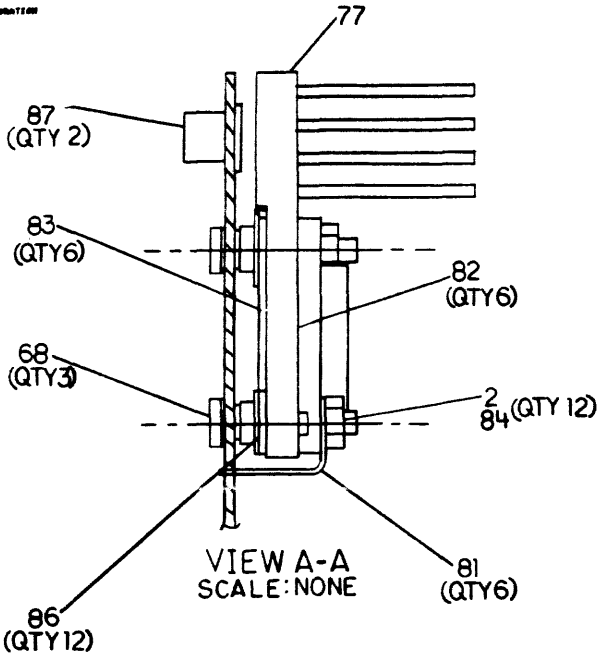
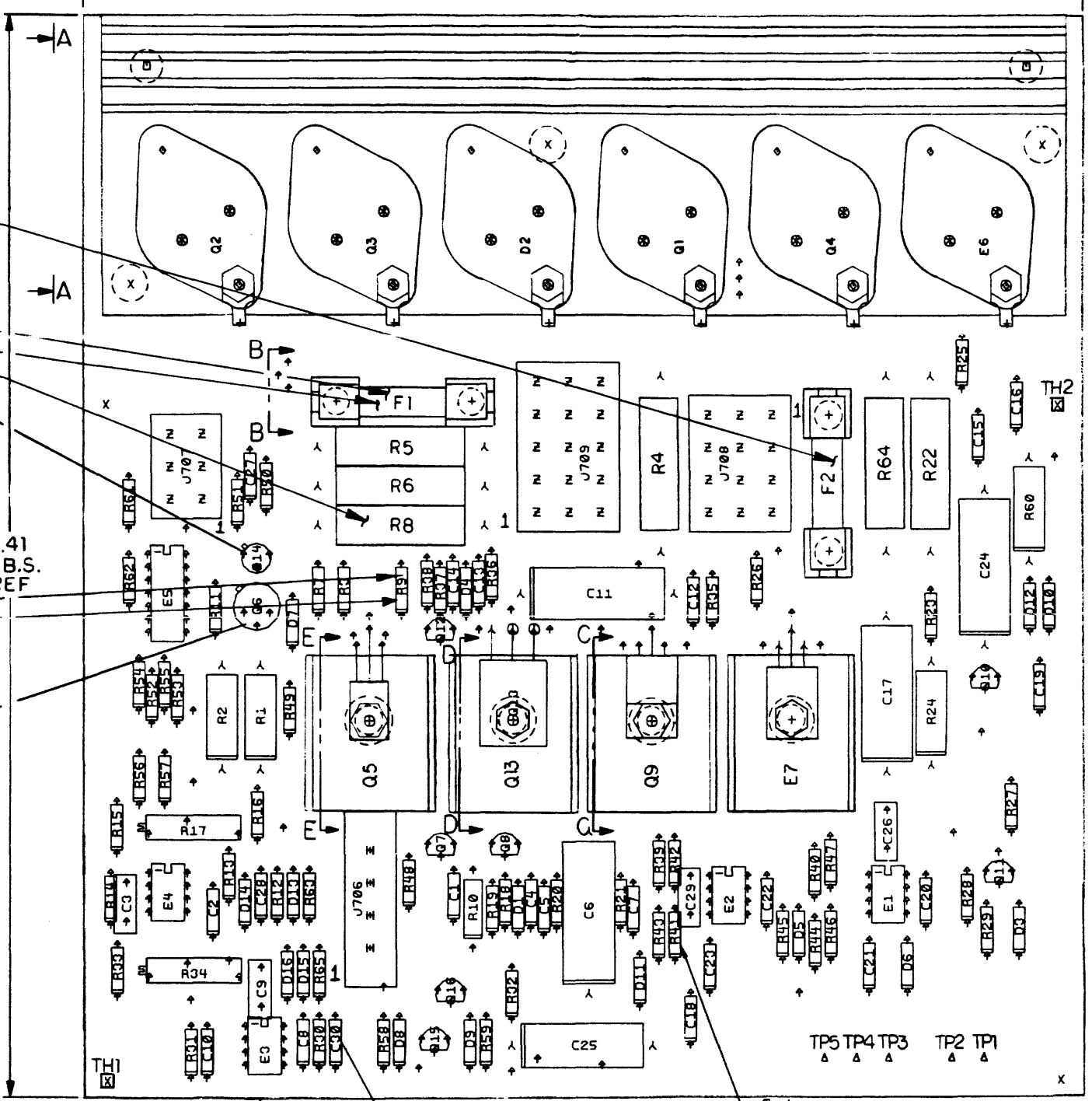
| DOCUMENT NUMBER |          |        |        |
|-----------------|----------|--------|--------|
| SIZE            | CODE     | NUMBER | REV.   |
| DCS             | H766-0-2 |        | D      |
| SCALE           | NONE     | SHEET  | 3 OF 3 |

TITLE  
 H766 POWER SUPPLY

THIS DRAWING AND SPECIFICATIONS, HEREON, ARE THE PROPERTY OF DIGITAL EQUIPMENT CORPORATION AND SHALL NOT BE REPRODUCED OR COPIED IN WHOLE OR IN PART OR THE BASIS FOR THE MANUFACTURE IN WHOLE OR IN PART WITHOUT WRITTEN PERMISSION. DIGITAL EQUIPMENT CORPORATION © 1979

COMPONENT SIDE VIEW

7.825 F.B.S. REF



NOTES:  
 1. INSTALL ITEM 90 (9107256-11) ON BOTH LEADS OF ITEM 4 (1011683-00).

|        |          |      |       |
|--------|----------|------|-------|
| STEP E | ↑ Y AXIS | STEP | TIMES |
| REPEAT | → X AXIS | STEP | TIMES |

| CHG      | NO | REV | E           | F        | H          | J        | K          | L        |
|----------|----|-----|-------------|----------|------------|----------|------------|----------|
| 5413624- | EA | 1   | J. RINALDIS | 5413624- | CA986 D.C. | 5413624- | CA986 D.C. | 5413624- |
| 5413624- | EA | 2   | J. RINALDIS | 5413624- | CA986 D.C. | 5413624- | CA986 D.C. | 5413624- |
| 5413624- | EA | 3   | J. RINALDIS | 5413624- | CA986 D.C. | 5413624- | CA986 D.C. | 5413624- |
| 5413624- | EA | 4   | J. RINALDIS | 5413624- | CA986 D.C. | 5413624- | CA986 D.C. | 5413624- |
| 5413624- | EA | 5   | J. RINALDIS | 5413624- | CA986 D.C. | 5413624- | CA986 D.C. | 5413624- |
| 5413624- | EA | 6   | J. RINALDIS | 5413624- | CA986 D.C. | 5413624- | CA986 D.C. | 5413624- |
| 5413624- | EA | 7   | J. RINALDIS | 5413624- | CA986 D.C. | 5413624- | CA986 D.C. | 5413624- |
| 5413624- | EA | 8   | J. RINALDIS | 5413624- | CA986 D.C. | 5413624- | CA986 D.C. | 5413624- |
| 5413624- | EA | 9   | J. RINALDIS | 5413624- | CA986 D.C. | 5413624- | CA986 D.C. | 5413624- |
| 5413624- | EA | 10  | J. RINALDIS | 5413624- | CA986 D.C. | 5413624- | CA986 D.C. | 5413624- |

CAUTION: OFF-SHEET PARTS LIST. SEE K-PL-5413624-0-DBP (20492).

|                |
|----------------|
| ETCH REV. D-P3 |
|                |
|                |
|                |
|                |
|                |

| SIGNATURES             | DATE     |
|------------------------|----------|
| DRN. K. DAVIS          | 10/27/79 |
| CHK'D. A. SIMM         | 10/27/79 |
| MECH. ENG. J. RINALDIS | 10/27/79 |
| PROJ. ENG. M. HAMMER   | 10/27/79 |
| PROD. D. LEAVELLE      | 10/27/79 |

|                                 |           |
|---------------------------------|-----------|
| digital                         | TITLE     |
| REGULATOR BOARD                 | SIZE CODE |
| NUMBER                          | REV       |
| DUA5413624-0-0 L                | 1         |
| NEXT HIGHER ASSY. B-D-5413624-0 |           |

8 | 7 | 6 | 5 | 4 | 3 | 2 | 1

THIS DRAWING AND SPECIFICATIONS HEREIN ARE THE PROPERTY OF DIGITAL EQUIPMENT CORPORATION AND SHALL NOT BE REPRODUCED OR COPIED OR USED IN WHOLE OR IN PART AS THE BASIS FOR THE MANUFACTURE OR SALE OF ITEMS WITHOUT WRITTEN PERMISSION.  
 COPYRIGHT © 1980 DIGITAL EQUIPMENT CORPORATION

REWORK INSTUCTIONS:

ECO 5413624-CX005:

COMPONENT DELETES: (SIDE 1)  
 5-1 R41 (1303312-00) 10K, 1/4W, 1%.  
 COMPONENT ADDS: (SIDE 1)  
 5-2 R41 (1317240-00) 11K, 1/4W, 1%.

ECO 5413624-CX006:

COMPONENT DELETES: (SIDE 1)  
 6-1 R9 39, 1/4W, 5% (1302377-00).  
 6-2 F1 FUSE, SLO BLOW 6.25A (9007223-00).  
 COMPONENT ADDS: (SIDE 1)  
 6-3 R9 22, 1/4W, 5% (1301969-00).  
 6-4 F1 FUSE, SLO BLOW 7.0A (9007224-00).

ECO 5413624-CX007:

COMPONENT DELETES (SIDE 1)  
 7-1 R9 22, 1/4W, 5% (1301969-00)  
 7-2 R8 .04, 5W, 3% (1311362-00)  
 7-3 F1 FUSE, SLO BLOW, 7.0A (9007224-00)  
 7-4 F2 FUSE, SLO BLOW, 5.0A (9007222-00)  
 COMPONENT ADDS: (SIDE 1)  
 7-5 R9 39, 1/4W, 5% (1302377-00)  
 7-6 R8 .03, 5W, 3% (1310876-01)  
 7-7 F1 FUSE, REG. BLOW, 12.0A (9008279-00)  
 7-8 F2 FUSE, REG BLOW, 12.0A (9008279-00)

D  
C  
B  
A

D  
C  
B  
A

DUA5413624-0-0 L

| REVISION HISTORY |            |      |
|------------------|------------|------|
| DATE             | ECO NUMBER | REV. |
|                  |            |      |

|                 |  |                 |        |
|-----------------|--|-----------------|--------|
| TITLE           |  | DOCUMENT NUMBER |        |
| REGULATOR BOARD |  | SIZE CODE       | NUMBER |
|                 |  | DUA5413624-0-0  | REV. L |
| SCALE NONE      |  | SHEET 2 OF 2    |        |

8 | 7 | 6 | 5 | 4 | 3 | 2 | 1

| LINE ITEM | DOCUMENT NUMBER | PART NUMBER      | DESCRIPTION | QTY                              | PER VARIATION | REFERENCE DESIGNATOR                                     |
|-----------|-----------------|------------------|-------------|----------------------------------|---------------|--|
|           |                 |                  |             | 00                               |               |  |
| 1         | 1               | C-MD-5013623-0-0 | 5013623-00  | DRILL & ETCH BD                  | 1             |  |
| 2         | 2               |                  | 9008185-00  | NUT,HEX EXT TOOTH LCKWSHR 6-32   | 12            |  |
| 3         | 3               |                  | 1000009-00  | 33.0 MMF 100V 5%200PPM MICA      | 4             | C3,C9,C26,C29  |
| 4         | 4               | SEE NOTE 1       | 1011683-00  | .022 MFD 50V 10% CER             | 1             | C30  |
| 5         | 5               |                  | 1001636-00  | 2400.0 MMF 100V 5%200PPM MICA    | 1             | C28  |
| 6         | 6               |                  | 1000080-00  | 50 MFD 50V +75-10% AL EL         | 1             | C17  |
| 7         | 7               |                  | 1001610-00  | .01 MFD 50V +80-20% Z5U CER      | 13            | C2,C4,C7,C8,C10,C12,C13,C19,C20,<br>CONT C21,C22,C23,C27 |
| 8         | 8               |                  | 1001796-00  | 50 MFD 25V +75-10% AL EL         | 1             | C25  |
| 9         | 9               |                  | 1002781-00  | 100 MFD 25V +75-10% AL EL        | 2             | C11,C24  |
| 10        | 10              |                  | 1009433-00  | 190 MFD 12V +75-10% AL EL        | 1             | C6   |
| 11        | 11              |                  | 1010274-01  | .22 MFD 50V +80-20% Z5U CER      | 4             | C1,C15,C16,C18   |
| 12        | 12              |                  | 1010978-36  | .1 MFD 50V 10% CER               | 2             | C5,C14   |
| 13        | 13              |                  | 1100114-00  | D 664 QS\75PC3 PIV= 25V SP       | 4             | D3,D7,D8,D9  |
| 14        | 14              |                  | 1105275-00  | D 672 TR= 15NS PIV= 60V SI       | 4             | D5,D6,D14,D16  |
| 15        | 15              |                  | 1105796-00  | 1N 4004 PIV=400 I= 1A D041 SP    | 2             | D10,D11,   |
| 16        | 16              |                  | 1105871-00  | 1/4MS.1AZ1 = 5.1 1% .25W N       | 2             | D1,D12   |
| 17        | 17              |                  | 1212297-01  | MATE-N-LOK 04PIN(1X04).250CC HDR | 1             | J706   |
| 18        | 18              |                  | 1212297-04  | MATE-N-LOK 15PIN(2X08).250CC HDR | 1             | J709   |
| 19        | 19              |                  | 1212297-07  | MATE-N-LOK 06PIN(2X03).250CC HDR | 1             | J707   |
| 20        | 20              |                  | 1212297-08  | MATE-N-LOK 12PIN(2X06).250CC HDR | 1             | J708   |
| 21        | 21              |                  | 1212487-00  | HEAT SINKS 01.18X01.0            | 4             |  |
| 22        | 22              |                  | 1300171-00  | 10.0 1.0 W 5.0 % CC              | 2             | R1,R2  |
| 23        | 23              |                  | 1300202-00  | 47.0 .25 W 5.0 % CF              | 2             | R20,R37  |
| 24        | 24              |                  | 1300219-00  | 68.0 .25 W 5.0 % CF              | 2             | R18,R36  |
| 25        | 25              |                  | 1300229-00  | 100.0 .25 W 5.0 % CF             | 2             | R7,R25   |
| 26        | 26              |                  | 1300247-00  | 120.0 .25 W 5.0 % CF             | 1             | R27  |
| 27        | 27              |                  | 1300271-00  | 220.0 .25 W 5.0 % CF             | 3             | R35,R52,R53  |
| 28        | 28              |                  | 1300295-00  | 330.0 .25 W 5.0 % CF             | 3             | R11,R54,R55  |
| 29        | 29              |                  | 1300297-00  | 330.0 1.0 W 5.0 % CC             | 1             | R24  |

| REVISION HISTORY |                |     | BASIC PART NO: 5413624  |  |  | DRN: H. WEINBRENNER DATE: 14-DEC-79                     |  |  | DIGITAL              |  |  |
|------------------|----------------|-----|-------------------------|--|--|---|--|--|----------------------|--|--|
| ENGR             | ECO NUMBER     | REV | SECTION A OF A          |  |  | TITLE PARTS LIST  |  |  | REGULATOR BOARD      |  |  |
| ---              | INITIAL        | B   | SECTION VARIATION INDEX |  |  | CHK'D: A. SIMM DATE: 23-DEC-79                          |  |  |                      |  |  |
| ---              | INITIAL        | B   | [A] 00                  |  |  |   |  |  |                      |  |  |
| ---              | INITIAL        | B   | [B]                     |  |  |   |  |  |                      |  |  |
| ---              | INITIAL        | B   | [C]                     |  |  | DES.ENG: J. RINALDIS DATE: 9-JAN-80                     |  |  |                      |  |  |
| JR               | 15413624-CX001 | C   | [D]                     |  |  |   |  |  | DOCUMENT NUMBER      |  |  |
| JR               | 15413624-CX002 | D   | [E]                     |  |  |   |  |  |                      |  |  |
| JR               | 15413624-CX003 | E   | [F]                     |  |  | RESP.ENG.: M. HAMMER DATE: 9-JAN-80                     |  |  |                      |  |  |
| JR               | 15413624-CX05A | F   | [G]                     |  |  |   |  |  | SIZE CODE NUMBER REV |  |  |
| BR               | 15413624-CX006 | H   | [J]                     |  |  |   |  |  |                      |  |  |
| BR               | 15413624-CX007 | J   | [K]                     |  |  | MPG.ENG.: N. HEDENSTEN DATE: 9-JAN-80                   |  |  | K PL 5413624-0-DBP L |  |  |
| BR               | 15413624-CX08A | K   | [L]                     |  |  |   |  |  |                      |  |  |
| BR               | 15413624-CX009 | L   | [M]                     |  |  | ASSEMBLY NUMBER: TOP DOCUMENT NUMBER: FILE NAME: EDIT # |  |  |                      |  |  |
|                  |                |     | [N]                     |  |  | D-UA-5413624-0-0 # B-DD-5413624-0                       |  |  | Z0492L.PLS 56        |  |  |

RPM  
5 OCT  
82

"THIS DRAWING AND SPECIFICATIONS HEREIN, ARE THE PROPERTY OF DIGITAL EQUIPMENT CORPORATION AND SHALL NOT BE REPRODUCED OR COPIED OR USED IN WHOLE OR IN PART AS THE BASIS FOR THE MANUFACTURE OR SALE OF ITEMS WITHOUT WRITTEN PERMISSION. COPYRIGHT (C) 1982. DIGITAL EQUIPMENT CORPORATION"

| LINE ITEM | DOCUMENT NUMBER | PART NUMBER | DESCRIPTION                      | QTY | PER VARIATION | REFERENCE DESIGNATOR |
|-----------|-----------------|-------------|----------------------------------|-----|---------------|----------------------|
|           |                 |             |                                  | 00  |               |                      |
| 30        | 30              | 1300316-00  | 470.0 .25 W 5.0 % CF             | 5   |               | R3,R21,R26,R58,R59   |
| 31        | 31              | 1300324-00  | 511.0 .75 W 1.0 % RN65D-F10      | 1   |               | R60                  |
| 32        | 32              | 1300364-00  | 1.0 K .50 W 5.0 % CF             | 1   |               | R10                  |
| 33        | 33              | 1300365-00  | 1.0 K .25 W 5.0 % CF             | 4   |               | R51,R56,R57,R62      |
| 34        | 34              | 1300447-00  | 4.70 K .25 W 5.0 % CF            | 4   |               | R47,R49,R63,R65      |
| 35        | 35              | 1300479-00  | 10.0 K .25 W 5.0 % CF            | 1   |               | R50                  |
| 36        | 36              | 1301317-00  | 10.0 .25 W 5.0 % CF              | 2   |               | R19,R38              |
| 37        | 37              | 1301890-00  | 560.0 .25 W 5.0 % CF             | 2   |               | R28,R61              |
| 38        | 38              | 1302124-00  | 18.0 .25 W 5.0 % CF              | 1   |               | R23                  |
| 39        | 39              | 1302377-00  | 39.0 .25 W 5.0 % CF              | 1   |               | R9                   |
| 40        | 40              | 1302388-00  | 2.0 K .25 W 5.0 % CF             | 1   |               | R48                  |
| 41        | 41              | 1305337-00  | 3.65 K .25 W 1.0 % RN55D-F10     | 1   |               | R30                  |
| 42        | 42              | 1302666-00  | 10.0 M .25 W 5.0 % CF            | 2   |               | R45,R46              |
| 43        | 43              | 1303045-00  | 3.16 K .25 W 1.0 % RN55D-F10     | 1   |               | R31                  |
| 44        | 44              | 1303312-00  | 10.0 K .25 W 1.0 % RN55D-F10     | 3   |               | R42,R43,R44          |
| 45        | 45              | 1302941-00  | 14.70 K .25 W 1.0 % RN55D-F10    | 1   |               | R15                  |
| 46        | 46              | 1303313-00  | 12.10 K .25 W 1.0 % RN55D-F10    | 3   |               | R12,R13,R14          |
| 47        | 47              | 1304837-00  | 24.0 K .25 W 5.0 % CF            | 1   |               | R29                  |
| 48        | 48              | 1304855-00  | 9.09 K .25 W 1.0 % RN55D-F10     | 2   |               | R39,R40              |
| 49        | 49              | 1304870-00  | 6.81 K .25 W 1.0 % RN55D-F10     | 2   |               | R32,R33              |
| 50        | 50              | 1310876-02  | .06 5.0 W 3.0 % WW               | 1   |               | R22                  |
| 51        | 51              | 1309143-07  | 1.0 K .75 W 10.0 % POT           | 1   |               | R34                  |
| 52        | 52              | 1309143-08  | 2.0 K .75 W 10.0 % POT           | 1   |               | R17                  |
| 53        | 53              | 1310876-01  | .03 5.0 W 3.0 % WW               | 1   |               | R8                   |
| 54        | 54              | 1310876-03  | .05 5.0 W 3.0 % WW               | 4   |               | R4,R5,R6,R64         |
| 55        | 55              | 1505867-00  | 2N 4441 SCRQ 50V & 8A            | 1   |               | Q13                  |
| 56        | 56              | 1509604-00  | DEC4923 NPN 30WC SI 80 20 M      | 1   |               | Q5                   |
| 57        | 57              | 1510377-01  | 2N 5294 NPN 36WC SI 70 30 LE     | 1   |               | Q9                   |
| 58        | 58              | 1510705-00  | XA 05 NPN 500MW SI 60 50 P       | 2   |               | Q15,Q16              |
| 59        | 59              | 1510706-00  | XA 55 PNP 500MW SI 60 50 P       | 3   |               | Q8,Q11,Q12           |
| 60        | 60              | 1510959-00  | 2N 3725 NPN 3.5WC SI 50 60 P     | 1   |               | Q6                   |
| 61        | 61              | 1511686-00  | DEC5433 FET N 350MW 10 25 1A     | 1   |               | Q14                  |
| 62        | 62              | 1512212-00  | DEC8098 NPN 350MW SI 60 50       | 2   |               | Q7,Q10               |
| 63        | 63              | 1910282-00  | 301AN OP AMP                     | 4   |               | E1,E2,E3,E4          |
| 64        | 64              | 1911637-00  | 74132 NAND GATE-QUAD 2 IN        | 1   |               | E5                   |
| 65        | 65              | 1912792-00  | DEC 7915 VOLT REG, FIX -15V      | 1   |               | E7                   |
| 66        | 66              | 1313594-00  | 14.0 K .25 W 1.0 % RN55D-F10     | 1   |               | R16                  |
| 67        | 67              | 9006012-01  | SCREW,MACH PAN PHIL 4-           | 4   |               |                      |
| 68        | 68              | 9006024-01  | SCREW,MACH PAN PHIL 6-           | 3   |               |                      |
| 69        | 69              | 9006557-00  | NUT,HEX EXT TOOTH LCKWSHR 4-40   | 4   |               |                      |
| 70        | 70              | 1103340-00  | 1N 4736A VZ= 6.8 5% 1W Y         | 1   |               | D13                  |
| 71        | 71              | 9006655-00  | WASHER,FLAT SST                  | 9   |               |                      |
| 72        | 72              | 9007254-00  | TRANSIPADS #10146                | 2   |               |                      |
| 73        | 73              | 9007203-00  | CLIP, FUSE, WITH STOP, SCREW MDU | 4   |               |                      |
| 74        | 74              | 9008279-00  | FUSE,REG BLO 12 A, 32V GLASS     | 2   |               | F1,F2                |
| 75        | 75              | 9007224-00  | *** THIS ITEM IS NOT USED ***    | -   |               |                      |
| 76        | 76              | 9009000-00  | EYELET,ROLLED 0.1210DX0.156      | 4   |               |                      |
| 77        | 77              | 1216281-00  | HEAT SINK                        | 1   |               |                      |

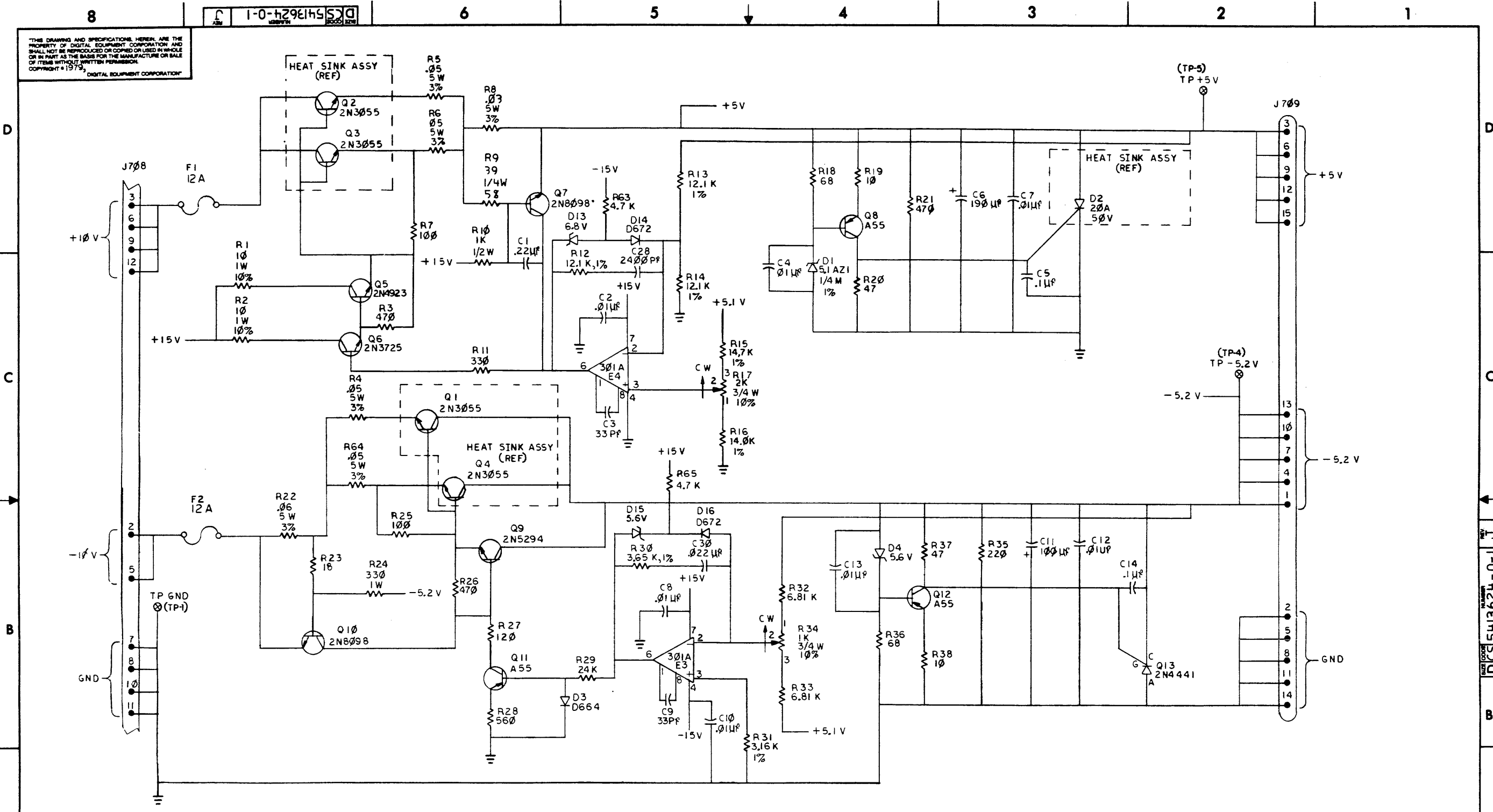
|               |  |  |  |       |                 |                |           |                 |     |
|---------------|--|--|--|-------|-----------------|----------------|-----------|-----------------|-----|
| D I G I T A L |  |  |  | TITLE | REGULATOR BOARD | SECTION A OF A | SIZE CODE | DOCUMENT NUMBER | REV |
|               |  |  |  |       |                 |                | K PL      | 5413624-0-DBP   | L   |

| LINE ITEM | DOCUMENT NUMBER | PART NUMBER | DESCRIPTION                     | QTY PER VARIATION<br>00      | REFERENCE DESIGNATOR |     |
|-----------|-----------------|-------------|---------------------------------|------------------------------|----------------------|-----|
| 78        | 78              | 1505819-00  | 2N 3055 NPN 115WC SI 50 20 V    | 4                            | Q1,Q2,Q3,Q4          |     |
| 79        | 79              | 1914473-00  | DEC 7815 VOLT REG, FIX +15V     | 1                            | E6                   |     |
| 80        | 80              | 1109465-00  | MCR 649P2SCR@ 50V I=20A T041    | 1                            | D2                   |     |
| 81        | 81              | 9009676-00  | TERM, SOLDER BARRIER STR        | 6                            |                      |     |
| 82        | 82              | 1213071-02  | INSULATOR, RUBBER SILICONE SM   | 6                            |                      |     |
| 83        | 83              | 1215580-00  | INSULATOR, MOLDED               | 6                            |                      |     |
| 84        | 84              | 9007793-01  | SCREW, MACH PAN PHIL 6-         | 12                           |                      |     |
| 85        | 85              | 9008268-00  | COMPOUND, THERMAL JOINT         | A/R                          |                      |     |
| 86        | 86              | 9006656-00  | WASHER, FLAT STEEL              | 12                           |                      |     |
| 87        | 87              | 9009112-02  | STANDOFF, PC BOARD MOUNTED 6-32 | 2                            |                      |     |
| 88        | 88              | 9009217-00  | POST, WIRE WRAP                 | 5                            | TP1,TP2,TP3,TP4,TP5  |     |
| 89        | 89              | 1102808-00  | 1N 752A VZ= 5.6 5% .40W         | 2                            | D4,D15               |     |
| 90        | 90              | SEE NOTE 1  | 9107256-11                      | TUBING, TEFLON .027ID        | A/R                  |     |
| 91        | 91              |             | 1317240-00                      | 11.0 K .25 W 1.0 % RN55D-F1D | 1                    | R41 |

92 NOTE: - NOTE 1. INSTALL ITEM 90 (9107256-11) ON BOTH LEADS OF  
 93 NOTE: - ITEM 4 (1011683-00).

|         |  |  |  |       |                 |                |      |      |                 |               |     |   |
|---------|--|--|--|-------|-----------------|----------------|------|------|-----------------|---------------|-----|---|
| DIGITAL |  |  |  | TITLE | REGULATOR BOARD | SECTION A OF A | SIZE | CODE | DOCUMENT NUMBER | 5413624-0-DBP | REV | L |
|---------|--|--|--|-------|-----------------|----------------|------|------|-----------------|---------------|-----|---|

THIS DRAWING AND SPECIFICATIONS HEREIN ARE THE PROPERTY OF DIGITAL EQUIPMENT CORPORATION AND SHALL NOT BE REPRODUCED OR COPIED OR USED IN WHOLE OR IN PART AS THE BASIS FOR THE MANUFACTURE OR SALE OF ITEMS WITHOUT WRITTEN PERMISSION. COPYRIGHT © 1979, DIGITAL EQUIPMENT CORPORATION.

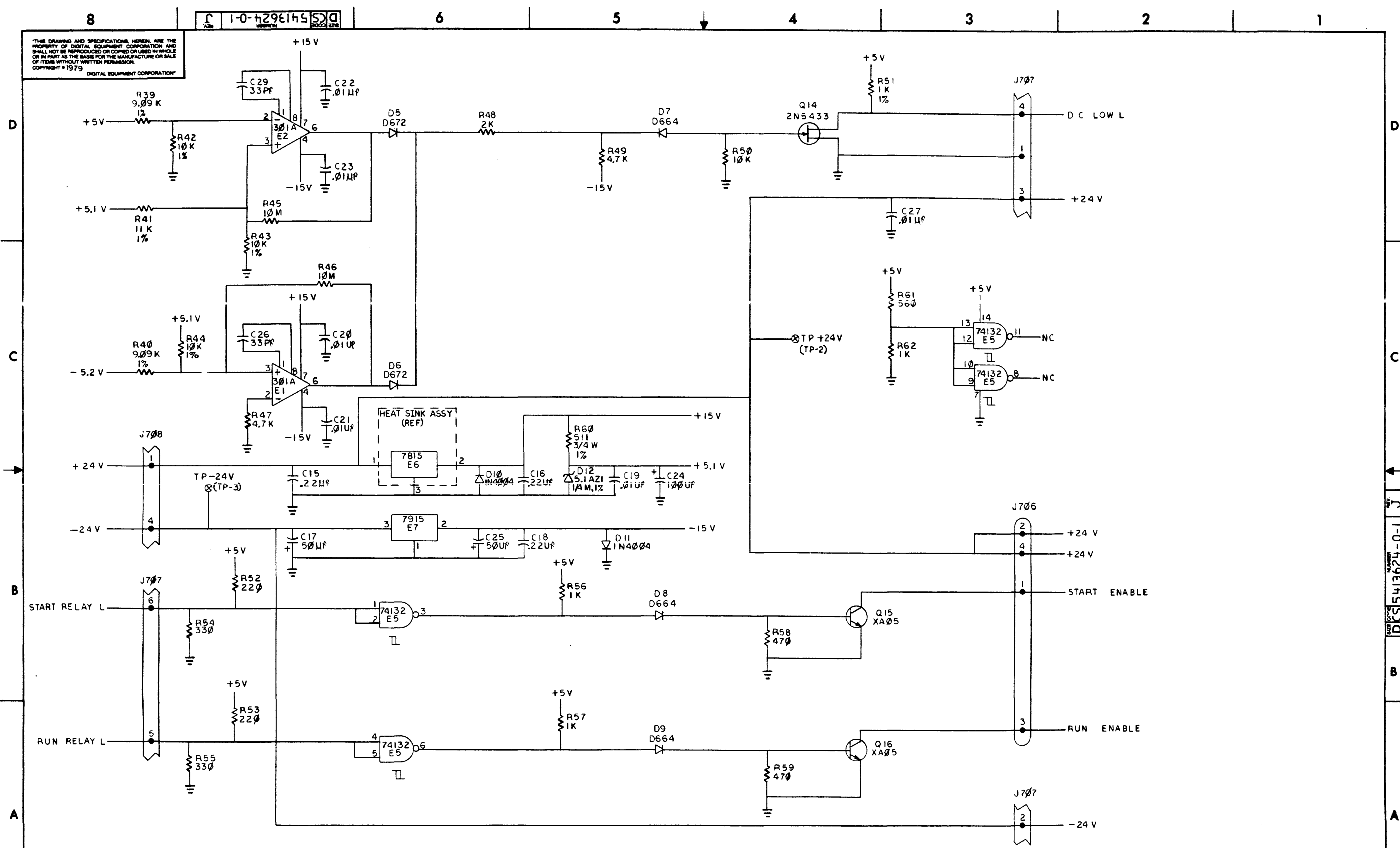


| REV.        | D              | E              | F              | I              | J              |
|-------------|----------------|----------------|----------------|----------------|----------------|
| ECO NUMBER  | 5413624-CX0003 | 5413624-CX0005 | 5413624-CX0006 | 5413624-CX0007 | 5413624-CX0009 |
| DATE        | 12 MAR 80      | 12 MAR 80      | 15 OCT 80      | 19 APR 81      | 4 OCT 82       |
| DESIGNED BY | J. RINALDIS    | J. RINALDIS    | B. RAY         | T. FALETTE     | B. RAY         |
| CHECKED BY  | J. RINALDIS    | J. RINALDIS    | B. RAY         | T. FALETTE     | B. RAY         |
| DATE        | 12 MAR 80      | 12 MAR 80      | 15 OCT 80      | 19 APR 81      | 4 OCT 82       |
| DESIGNED BY | J. RINALDIS    | J. RINALDIS    | B. RAY         | T. FALETTE     | B. RAY         |
| CHECKED BY  | J. RINALDIS    | J. RINALDIS    | B. RAY         | T. FALETTE     | B. RAY         |
| DATE        | 12 MAR 80      | 12 MAR 80      | 15 OCT 80      | 19 APR 81      | 4 OCT 82       |
| DESIGNED BY | J. RINALDIS    | J. RINALDIS    | B. RAY         | T. FALETTE     | B. RAY         |
| CHECKED BY  | J. RINALDIS    | J. RINALDIS    | B. RAY         | T. FALETTE     | B. RAY         |
| DATE        | 12 MAR 80      | 12 MAR 80      | 15 OCT 80      | 19 APR 81      | 4 OCT 82       |

|                                 |                |                    |
|---------------------------------|----------------|--------------------|
| DRN. K. DAVIS                   | DATE 18 APR 79 | TITLE digital      |
| CHKD. A. SIMM                   | DATE 18 APR 79 | REGULATOR BOARD    |
| DES. ENGR. J. RINALDIS          | DATE 18 APR 79 | DOCUMENT NUMBER    |
| PREP. ENGR. M. HAMMER           | DATE 18 APR 79 | D CS 5413624-0-1 J |
| APP. ENGR. D. WEAVER            | DATE 18 APR 79 | SCALE              |
| NEXT HIGHER DOC. B-DD-5413624-0 |                | SHEET 1 OF 2       |

1-0-h29e1h5

THIS DRAWING AND SPECIFICATIONS, HEREIN, ARE THE PROPERTY OF DIGITAL EQUIPMENT CORPORATION AND SHALL NOT BE REPRODUCED OR COPIED OR USED IN WHOLE OR IN PART AS THE BASIS FOR THE MANUFACTURE OR SALE OF ITEMS WITHOUT WRITTEN PERMISSION.  
 COPYRIGHT © 1975  
 DIGITAL EQUIPMENT CORPORATION



| REVISION HISTORY |            |      |
|------------------|------------|------|
| DATE             | ECO NUMBER | REV. |
|                  |            |      |
|                  |            |      |
|                  |            |      |
|                  |            |      |
|                  |            |      |
|                  |            |      |
|                  |            |      |
|                  |            |      |
|                  |            |      |

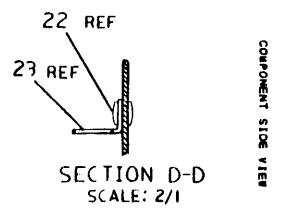
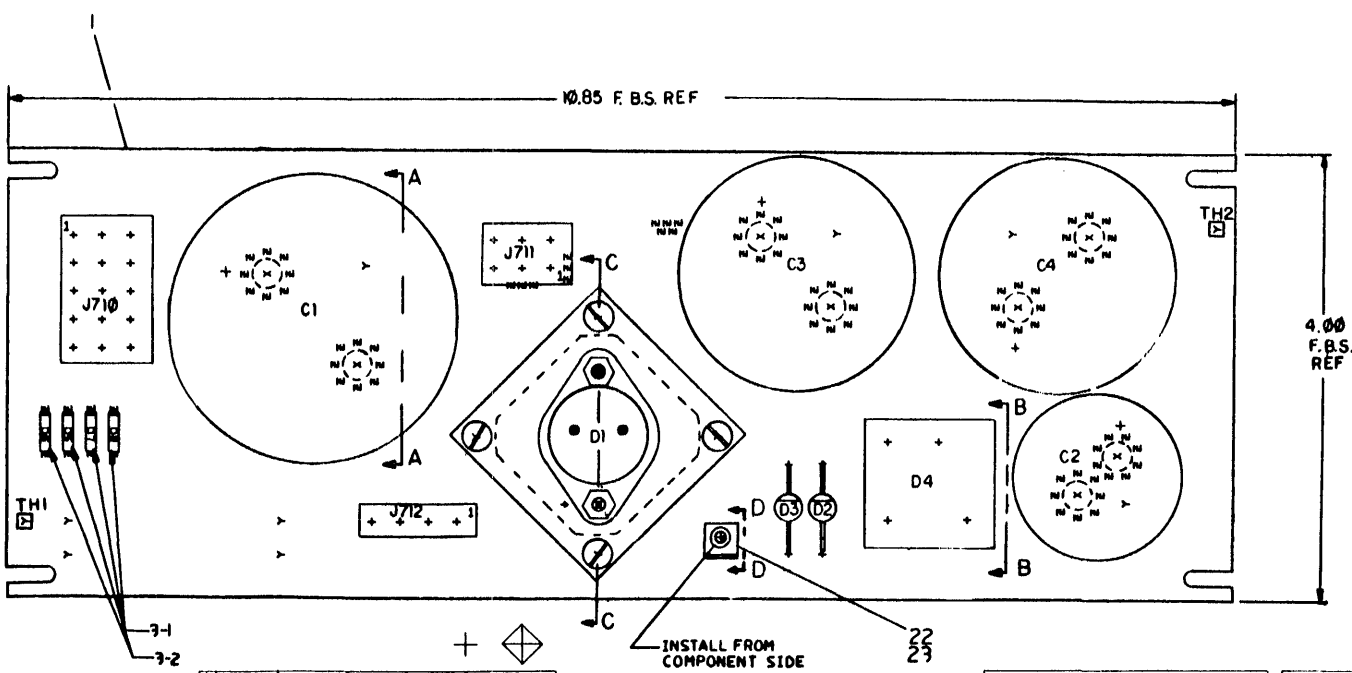
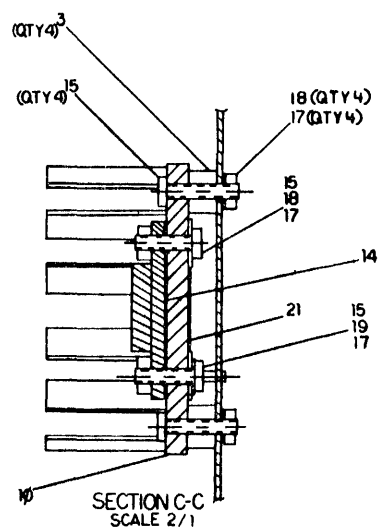
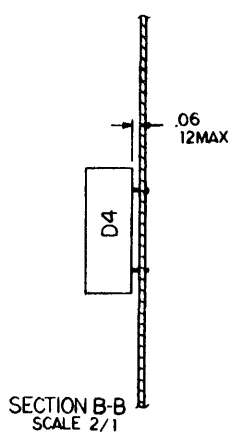
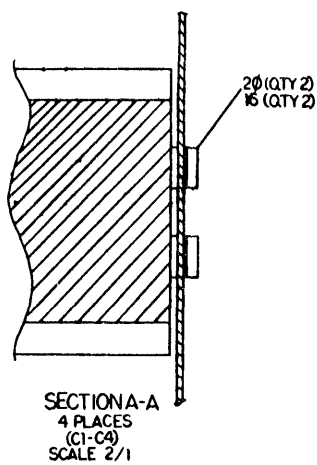
TITLE (R B 2)  
 REGULATOR BOARD

| DOCUMENT NUMBER |             |        |
|-----------------|-------------|--------|
| SIZE            | CODE        | NUMBER |
| DCS             | 5413624-0-1 | J      |
| SCALE           | SHEET 2     | OF 2   |

DCS 5413624-0-1 J



THIS BOARD MUST MEET UL REQUIREMENTS  
 DATE 10/19/79



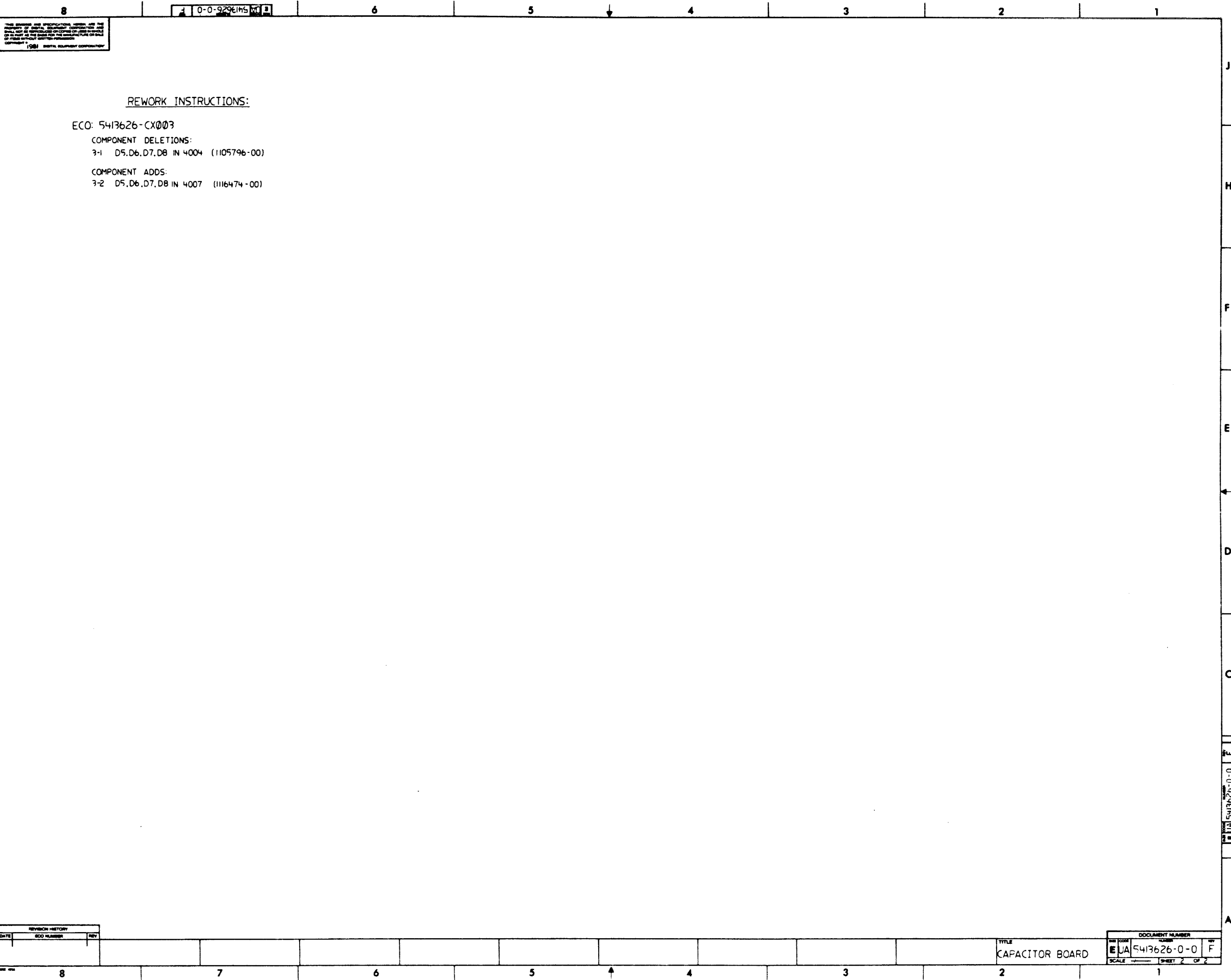
NOTES:  
 1. THIS BOARD MUST MEET UL REQUIREMENTS

| STEP # | Y AXIS | STEP | TIMES |
|--------|--------|------|-------|
| 1      | +      |      |       |
| 2      | +      |      |       |
| 3      | +      |      |       |
| 4      | +      |      |       |
| 5      | +      |      |       |
| 6      | +      |      |       |
| 7      | +      |      |       |
| 8      | +      |      |       |
| 9      | +      |      |       |
| 10     | +      |      |       |
| 11     | +      |      |       |
| 12     | +      |      |       |
| 13     | +      |      |       |
| 14     | +      |      |       |
| 15     | +      |      |       |
| 16     | +      |      |       |
| 17     | +      |      |       |
| 18     | +      |      |       |
| 19     | +      |      |       |
| 20     | +      |      |       |
| 21     | +      |      |       |
| 22     | +      |      |       |
| 23     | +      |      |       |
| 24     | +      |      |       |
| 25     | +      |      |       |
| 26     | +      |      |       |
| 27     | +      |      |       |
| 28     | +      |      |       |
| 29     | +      |      |       |
| 30     | +      |      |       |

| CHANGE NO | REV | DATE | BY | CHK'D |
|-----------|-----|------|----|-------|
| D         |     |      |    |       |
| E         |     |      |    |       |
| F         |     |      |    |       |
| G         |     |      |    |       |
| H         |     |      |    |       |
| I         |     |      |    |       |
| J         |     |      |    |       |
| K         |     |      |    |       |
| L         |     |      |    |       |
| M         |     |      |    |       |
| N         |     |      |    |       |
| O         |     |      |    |       |
| P         |     |      |    |       |
| Q         |     |      |    |       |
| R         |     |      |    |       |
| S         |     |      |    |       |
| T         |     |      |    |       |
| U         |     |      |    |       |
| V         |     |      |    |       |
| W         |     |      |    |       |
| X         |     |      |    |       |
| Y         |     |      |    |       |
| Z         |     |      |    |       |

| SIGNATURES                         | DATE      | TITLE   |
|------------------------------------|-----------|---------|
| DRN. T. BULL                       | 10 DEC 78 | digital |
| CHK'D. A. SMY                      | 3 JAN 79  |         |
| MECH. ENG. J. RINALDIS             | 12 JAN 79 |         |
| PROJ. ENG. M. HAMMER               | 12 JAN 79 |         |
| PROD. A. MORGAN                    | 12 JAN 79 |         |
| SCALE 2/1                          |           |         |
| SMT. OF 2                          |           |         |
| NEXT HIGHER ASSY. B.D.D. 5413626-0 |           |         |

ETCH REV. E-P2  
 SIZE CODE NUMBER REV  
 E UA 5413626-0-0 F  
 MS# 291-202



THIS DRAWING AND SPECIFICATIONS, HEREIN, ARE THE PROPERTY OF GENERAL ELECTRIC COMPANY. IT IS TO BE USED ONLY FOR THE MANUFACTURE OR SALE OF THIS PRODUCT. WITHOUT PERMISSION OF GENERAL ELECTRIC COMPANY.

REWORK INSTRUCTIONS:

ECO: 5413626-CX003

COMPONENT DELETIONS:

3-1 D5,D6,D7,DB IN 4004 (1105796-00)

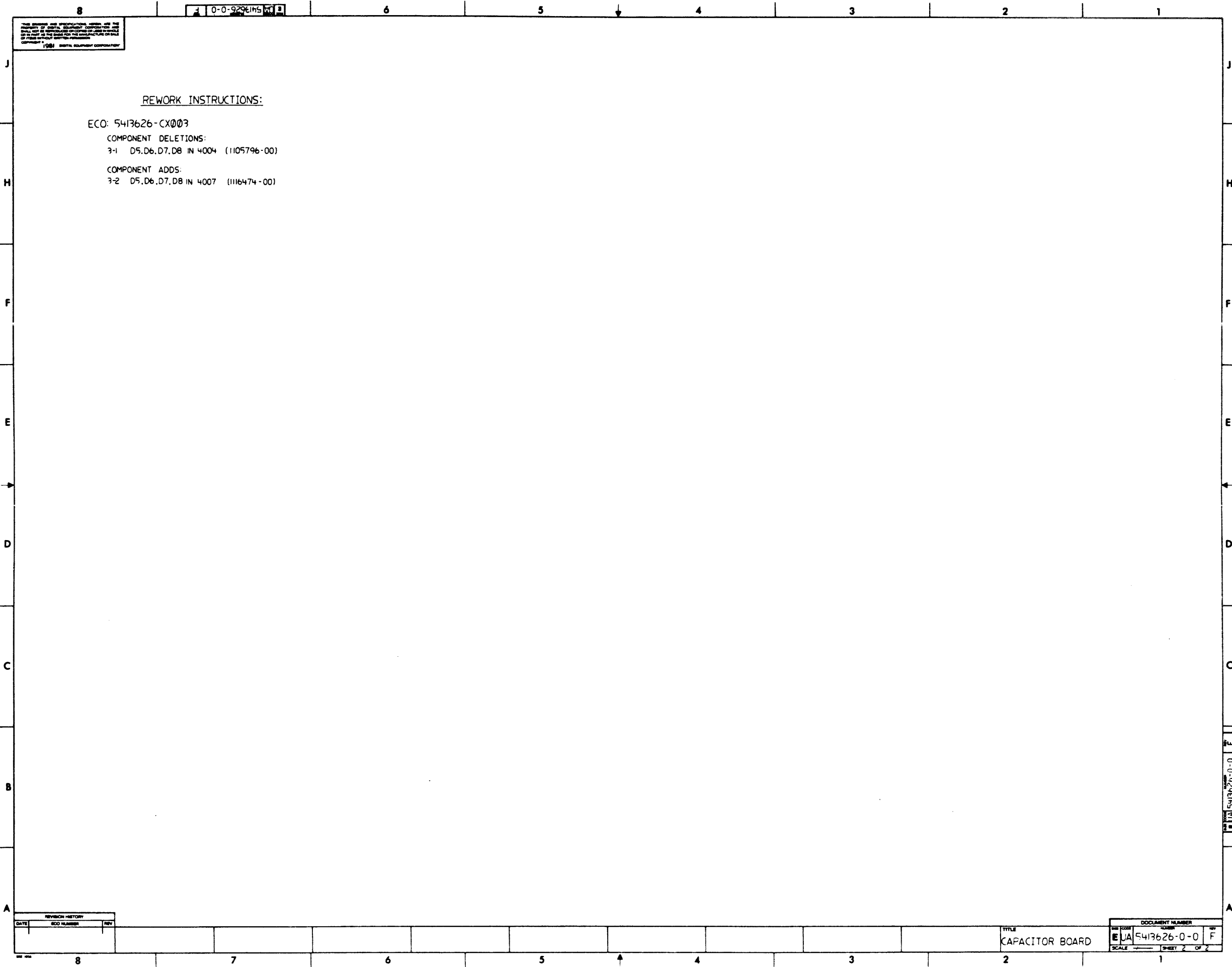
COMPONENT ADDS:

3-2 D5,D6,D7,DB IN 4007 (1116474-00)

| REVISION HISTORY |            |     |
|------------------|------------|-----|
| DATE             | ECO NUMBER | REV |
|                  |            |     |

TITLE  
CAPACITOR BOARD

| DOCUMENT NUMBER |               |
|-----------------|---------------|
| EUA             | 5413626-0-0 F |
| SCALE           | SHEET 2 OF 2  |



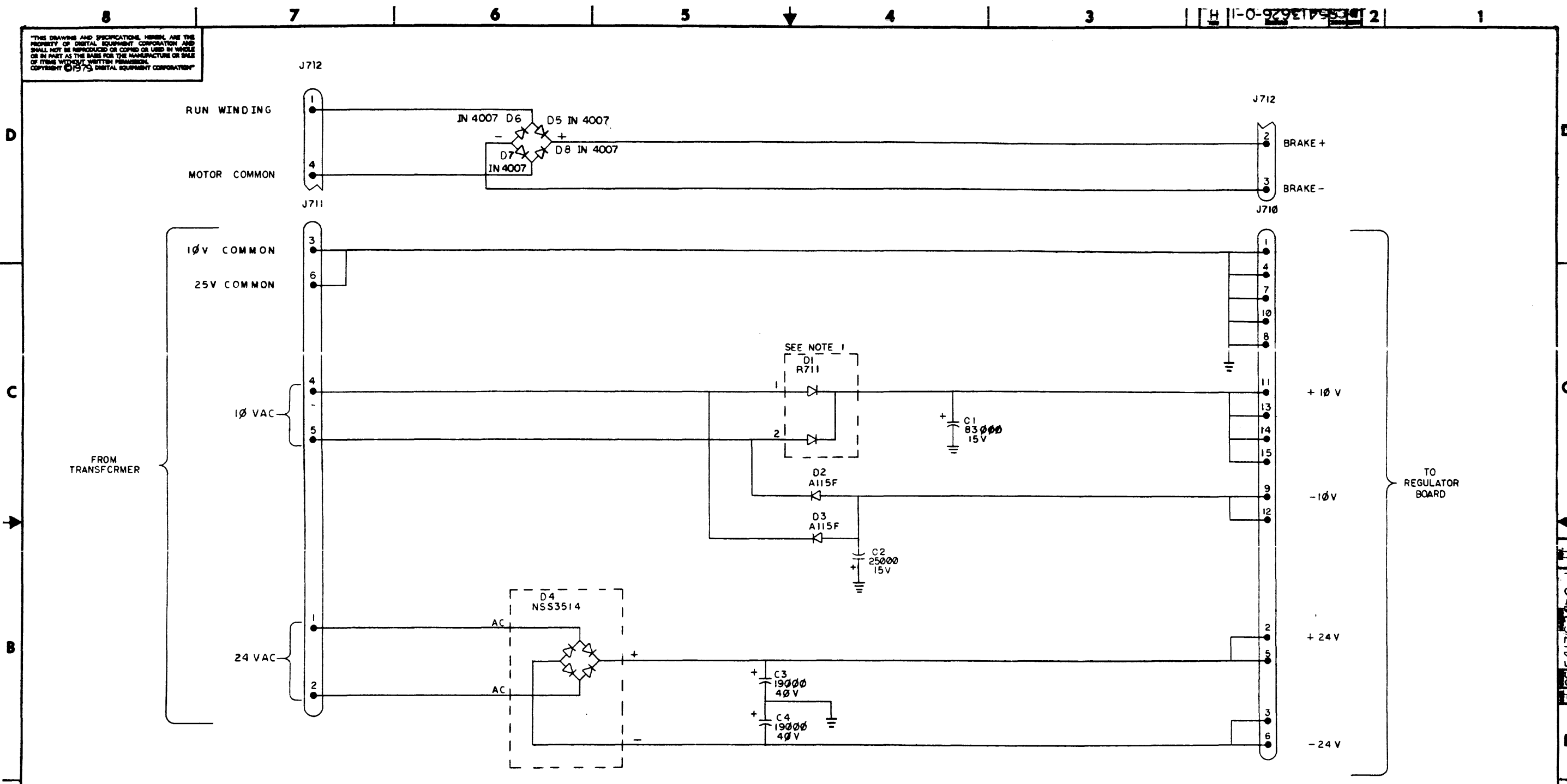
| LINE ITEM | DOCUMENT NUMBER  | PART NUMBER | DESCRIPTION                      | QTY PER VARIATION<br>00 | REFERENCE DESIGNATOR |
|-----------|------------------|-------------|----------------------------------|-------------------------|----------------------|
| 1         | E-MD-5013625-0-0 | 5013625-00  | DRILL & ETCH BD                  | 1                       |                      |
| 2         |                  | 1116474-00  | 1N 4007 PIV=1000 I=1A D041       | 4                       | D5,D6,D7,D8          |
| 3         |                  | 9009565-00  | SPACER, NYLON, .170 ID X .255 OD | 4                       |                      |
| 4         |                  | 1016238-00  | 83,000 MFD 15V +75-10% AL EL     | 1                       | C1                   |
| 5         |                  | 1016239-00  | 19,000 MFD 40V +75-10% AL EL     | 2                       | C3,C4                |
| 6         |                  | 1016240-00  | 25,000 MFD 15V +75-10% AL EL     | 1                       | C2                   |
| 7         |                  | 1110714-00  | NSS3514 FWR@400 I=20A (TRW)      | 1                       | D4                   |
| 8         |                  | 1112594-00  | A115F PIV= 50 I= 3A              | 2                       | D2,D3                |
| 9         |                  | 1112723-00  | RECT ASSY@100V & 25A             | 1                       | D1                   |
| 10        |                  | 1210012-01  | HEAT SINKS,TD-3 1.810X1.81       | 1                       |                      |
| 11        |                  | 1212297-01  | MATE-N-LOK 04PIN(1X04).250CC HDR | 1                       | J712                 |
| 12        |                  | 1212297-04  | MATE-N-LOK 15PIN(2X08).250CC HDR | 1                       | J710                 |
| 13        |                  | 1212297-07  | MATE-N-LOK 06PIN(2X03).250CC HDR | 1                       | J711                 |
| 14        |                  | 1213071-02  | INSULATOR,RUBBER SILICONE SM     | 1                       |                      |
| 15        |                  | 9007793-01  | SCREW,MACH PAN PHIL 6-           | 6                       |                      |
| 16        |                  | 9006070-01  | SCREW,MACH PAN PHIL 10-          | 8                       |                      |
| 17        |                  | 9008185-00  | NUT,KEP 6-32X 1/4 AF             | 6                       |                      |
| 18        |                  | 9006656-00  | WASHER,FLAT STEEL                | 5                       |                      |
| 19        |                  | 9009676-00  | TERM,SOLDER BARRIER STR          | 1                       |                      |
| 20        |                  | 9006636-00  | WASHER,LOCK INTERNAL STEEL       | 8                       |                      |
| 21        |                  | 1215580-00  | INSULATOR,MOLDED                 | 1                       |                      |
| 22        |                  | 9008285-00  | EYELET,ROLLED 0.1210DX0.218      | 1                       |                      |
| 23        |                  | 9008219-00  | TERM,TAB .250TAB .130STUD MN     | 1                       |                      |

| REVISION HISTORY |               |     | BASIC PART NO: 5413626  |  | DRN:             | ART SIMM    | DATE: 10-DEC-79      | DIGITAL         |            |               |     |
|------------------|---------------|-----|-------------------------|--|------------------|-------------|----------------------|-----------------|------------|---------------|-----|
| ENG              | ECO NUMBER    | REV | SECTION A OF A          |  | CHK'D:           |             |                      | TITLE           | PARTS LIST |               |     |
| ---              | INITIAL       | C   | SECTION VARIATION INDEX |  |                  | P.KENDRICK  | DATE: 2-JAN-80       |                 |            |               |     |
| JR               | 5413626-CX01A | D   | [A] 00                  |  |                  |             |                      | CAPACITOR BOARD |            |               |     |
| GN               | 5413626-CX002 | E   | [B]                     |  | DES.ENG:         | J.DREW      | DATE: 9-JAN-80       |                 |            |               |     |
| BR               | 5413626-CX003 | F   | [C]                     |  |                  |             |                      |                 |            |               |     |
| BR               | 5413626-CX004 | H   | [D]                     |  | RESP.ENG.:       | J.RINALDIS  | DATE: 9-JAN-80       | DOCUMENT NUMBER |            |               |     |
|                  |               |     | [E]                     |  |                  |             |                      | SIZE            | CODE       | NUMBER        | REV |
|                  |               |     | [F]                     |  | MFG.ENG.:        | N.HEDENSTEN | DATE: 9-JAN-80       | K               | PL         | 5413626-0-DBP | H   |
|                  |               |     | [G]                     |  | ASSEMBLY NUMBER: |             | TOP DOCUMENT NUMBER: | FILE NAME:      |            | EDIT #        |     |
|                  |               |     | [H]                     |  | E-UA-5413626-0-0 |             | B-DD-5413626-0       | Z0493H.PLS      |            | 32            |     |
|                  |               |     | [I]                     |  |                  |             |                      |                 |            |               |     |
|                  |               |     | [J]                     |  |                  |             |                      |                 |            |               |     |
|                  |               |     | [K]                     |  |                  |             |                      |                 |            |               |     |
|                  |               |     | [L]                     |  |                  |             |                      |                 |            |               |     |
|                  |               |     | [M]                     |  |                  |             |                      |                 |            |               |     |
|                  |               |     | [N]                     |  |                  |             |                      |                 |            |               |     |

\*THIS DRAWING AND SPECIFICATIONS HEREIN, ARE THE PROPERTY OF DIGITAL EQUIPMENT CORPORATION AND SHALL NOT BE REPRODUCED OR COPIED OR USED IN WHOLE OR IN PART AS THE BASIS FOR THE MANUFACTURE OR SALE OF ITEMS WITHOUT WRITTEN PERMISSION. COPYRIGHT (C) 1982. DIGITAL EQUIPMENT CORPORATION \*

THIS DRAWING AND SPECIFICATIONS HEREIN ARE THE PROPERTY OF DIGITAL EQUIPMENT CORPORATION AND SHALL NOT BE REPRODUCED OR COPIED OR USED IN WHOLE OR IN PART AS THE BASIS FOR THE MANUFACTURE OR SALE OF ITEMS WITHOUT WRITTEN PERMISSION. COPYRIGHT © 1973 DIGITAL EQUIPMENT CORPORATION

CS 5413626-0-1 H



| REV. | DATE    | BY          | CHK'D | APP'D | DESCRIPTION   |
|------|---------|-------------|-------|-------|---------------|
| D    | 5/13/73 | J. RINALDIS |       |       | 5413626-CX01A |
| E    | 5/13/73 | K. DAVIS    |       |       | 5413626-CX02E |
| F    | 5/13/73 | G. NORDBERG |       |       | 5413626-CX03F |
| H    | 5/13/73 | B. RAY      |       |       | 5413626-CX04H |

- NOTES:
- COMPONENTS NOTED ARE MOUNTED ON HEATSINK
  - UNLESS OTHERWISE SPECIFIED:  
ALL RESISTORS ARE 1/4W, 5%.  
ALL RESISTOR VALUES ARE IN OHMS.  
ALL CAPACITOR VALUES ARE IN MICROFARADS.  
ALL DIODES ARE IN4004.

| QUANTITY & VARIATION                 | DESCRIPTION        |   | DWG./PART NO.                      | ITEM NO.               |
|--------------------------------------|--------------------|---|------------------------------------|------------------------|
|                                      |                    | UNLESS OTHERWISE SPECIFIED DIMENSIONS ARE IN INCHES |                                    |                        |
|                                      | ANGLES 30° 30'     | CLASS OF ACCURACY                                   | NOMINAL DIMENSION RANGE INCHES     |                        |
|                                      | SURFACE QUALITY IN | (CHECK ONE)   | OVER 0 TO 0.2                      | OVER 0.2 TO 1.2        |
|                                      | MICROINCHES        | MEDIUM  | OVER 1.2 TO 4.0                    | OVER 4.0 TO 12.0       |
|                                      |                    | PREFERRED   | OVER 12.0 TO 40.0                  | OVER 40.0 TO 80.0      |
|                                      |                    |   | 1.004 1.008 1.012 1.016 1.024 1.04 | 1.024 1.04 1.063 1.081 |
| THIRD ANGLE PROJECTION               | DRN. R. RAY        | 6 FEB 73  | FIRST USED ON                      |                        |
| REMOVE BURRS AND BREAK SHARP CORNERS | CHK'D J.C.W.       | 15 JAN 73   | TITLE                              |                        |
| DO NOT SCALE DWG                     | ENGL. J. RAY       | 1 AUG 73  | CAPACITOR BOARD                    |                        |
|                                      | PROJ. ENG. J. RAY  | 1 AUG 73  | PART NO.                           |                        |
|                                      | NEXT HIGHER ASSY.  |   | 8-DD-5413626-0                     |                        |
| MATERIAL                             |                    |   | SIZE                               | CODE                   |
| FINISH                               |                    |   | D                                  | CS                     |
|                                      | SCALE              |   | NUMBER                             |                        |
|                                      | SHEET OF           |   | 5413626-0-1                        |                        |
|                                      |                    |   | REV. FH                            |                        |

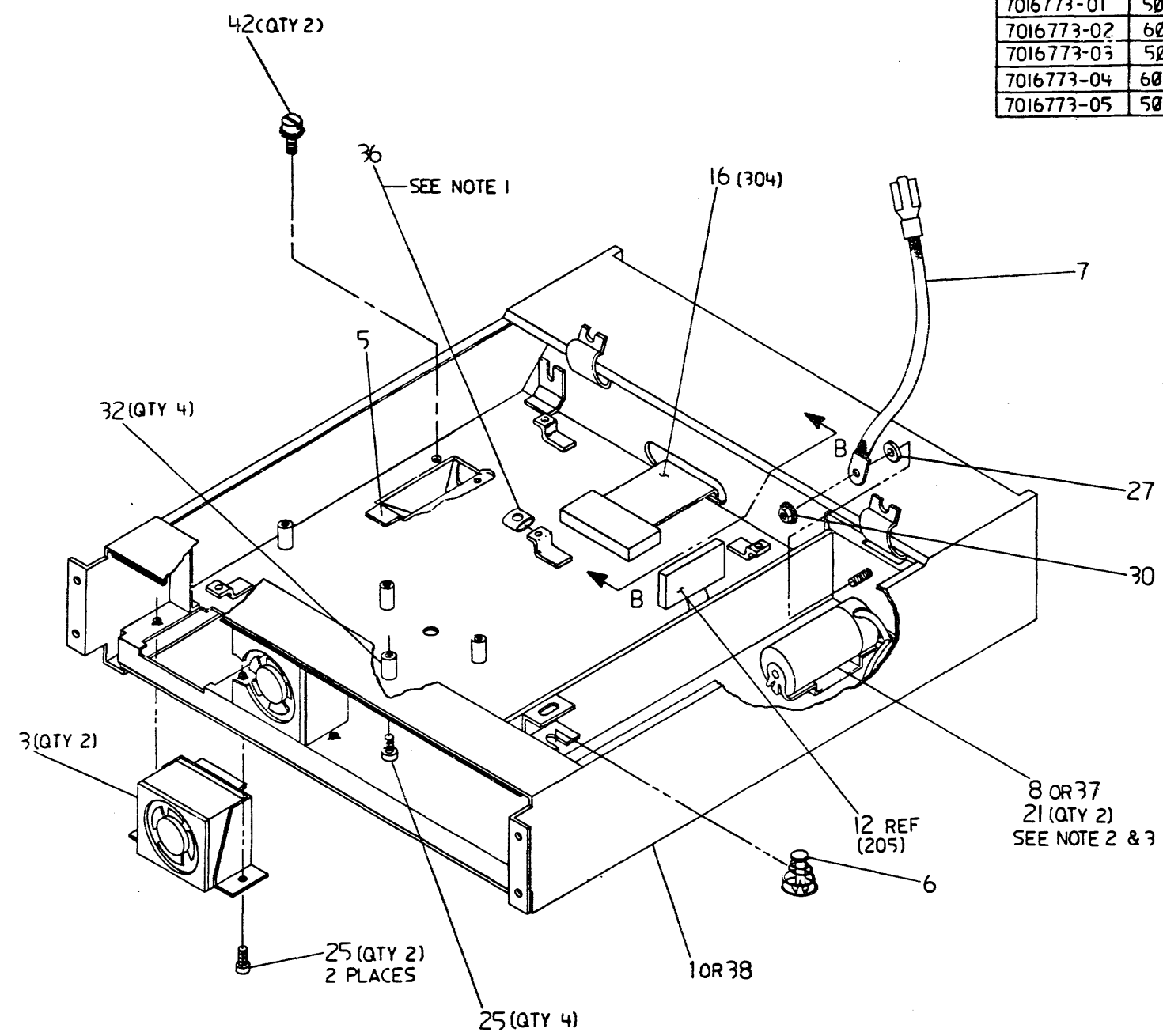
CS 5413626-0-1 H

THIS DRAWING AND SPECIFICATIONS HEREIN ARE THE PROPERTY OF DIGITAL EQUIPMENT CORPORATION AND SHALL NOT BE REPRODUCED OR COPIED OR USED IN WHOLE OR IN PART AS THE BASIS FOR THE MANUFACTURE OR SALE OF ITEMS WITHOUT WRITTEN PERMISSION.  
 COPYRIGHT © 1980 DIGITAL EQUIPMENT CORPORATION

DAD 7016773-0-0 R

| LEGEND     |             |
|------------|-------------|
| PART NO.   | VARIATION   |
| 7016773-00 | 60 HZ 120 V |
| 7016773-01 | 50 HZ 240 V |
| 7016773-02 | 60 HZ FCC   |
| 7016773-03 | 50 HZ FCC   |
| 7016773-04 | 60 HZ RAB1  |
| 7016773-05 | 50 HZ RAB1  |

- NOTES:
- ITEM 36 (INSULATOR) TO BE SHRINK-FITTED INTO PLACE AS SHOWN (5 PLACES).
  - 43-53 μfd START CAPACITOR REQUIRED IN DRIVES EQUIPPED WITH 50HZ MOTOR. PART NO. 1216578-01.
  - 53-64 μfd START CAPACITOR REQUIRED IN DRIVES EQUIPPED WITH 50HZ MOTOR PART NO. 1216578-02.



CAUTION: OFF-SHEET PARTS LIST EXISTS. SEE K-PL-7016773-0-DBP (Z0495).

DAD 7016773-0-0 R

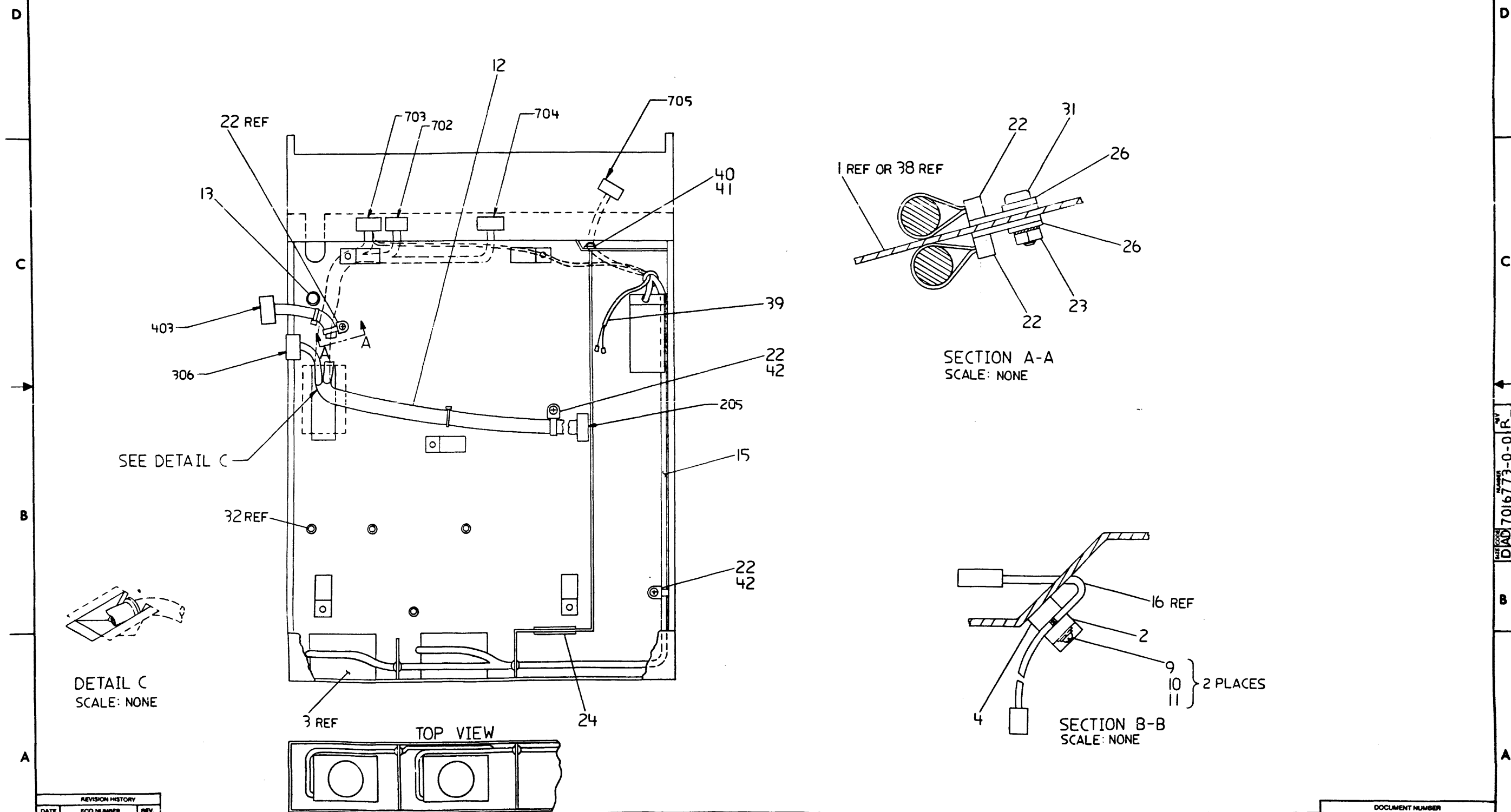
| REV. | DATE            | DESCRIPTION |
|------|-----------------|-------------|
| 1198 | REVISED PER ECO |             |
| 1199 | REVISED PER ECO |             |
| 1200 | REVISED PER ECO |             |
| 1201 | REVISED PER ECO |             |
| 1202 | REVISED PER ECO |             |
| 1203 | REVISED PER ECO |             |
| 1204 | REVISED PER ECO |             |
| 1205 | REVISED PER ECO |             |
| 1206 | REVISED PER ECO |             |
| 1207 | REVISED PER ECO |             |
| 1208 | REVISED PER ECO |             |
| 1209 | REVISED PER ECO |             |
| 1210 | REVISED PER ECO |             |
| 1211 | REVISED PER ECO |             |
| 1212 | REVISED PER ECO |             |
| 1213 | REVISED PER ECO |             |
| 1214 | REVISED PER ECO |             |
| 1215 | REVISED PER ECO |             |
| 1216 | REVISED PER ECO |             |
| 1217 | REVISED PER ECO |             |
| 1218 | REVISED PER ECO |             |
| 1219 | REVISED PER ECO |             |
| 1220 | REVISED PER ECO |             |
| 1221 | REVISED PER ECO |             |
| 1222 | REVISED PER ECO |             |
| 1223 | REVISED PER ECO |             |
| 1224 | REVISED PER ECO |             |
| 1225 | REVISED PER ECO |             |
| 1226 | REVISED PER ECO |             |
| 1227 | REVISED PER ECO |             |
| 1228 | REVISED PER ECO |             |
| 1229 | REVISED PER ECO |             |
| 1230 | REVISED PER ECO |             |

| DESCRIPTION  | DRAWING NO.            | PART NO.                   | ITEM NO.        |                         |                  |                   |
|--|------------------------|----------------------------|-----------------|-------------------------|------------------|-------------------|
| UNLESS OTHERWISE SPECIFIED DIMENSIONS ARE IN INCHES AND THE FOLLOWING TOLERANCES APPLY (PER DEC STD 114) |                        |                            |                 |                         |                  |                   |
| INCHES TOLERANCES  | ANGLES ± 0° 30'        | APPLICABLE DIMENSION RANGE |                 |                         |                  |                   |
|  |                        | OVER 0 TO 0.2              | OVER 0.2 TO 1.2 | OVER 1.2 TO 4.0         | OVER 4.0 TO 12.0 | OVER 12.0 TO 48.0 |
| ± .01  | SURFACE QUALITY        | ± .004                     | ± .005          | ± .012                  | ± .016           | ± .024            |
| ± .002   |                        | ± .003                     | ± .008          | ± .010                  | ± .015           | ± .020            |
| ± .001   | ✓                      | ± .004                     | ± .005          | ± .012                  | ± .016           | ± .024            |
| QUANTITY & VARIATION   | THIRD ANGLE PROJECTION | DATE 8 MAR 79              |                 | TITLE                   |                  |                   |
|  |                        | M. ENGLE                   |                 | digital                 |                  |                   |
|  |                        | G. NORDBERG                |                 | LOGIC CHASSIS ASSEMBLY  |                  |                   |
|  |                        | G. NORDBERG                |                 | DOCUMENT NUMBER         |                  |                   |
|  |                        | B. MONTERO                 |                 | DAD 7016773-0-0 R       |                  |                   |
|  |                        | W. BASSETT                 |                 | SCALE NONE SHEET 1 OF 2 |                  |                   |
|  |                        | D-AD-7018446-0-C           |                 |                         |                  |                   |

8 | 7 | 6 | 5 | 4 | 3 | 2 | 1

THIS DRAWING AND SPECIFICATIONS HEREIN ARE THE PROPERTY OF DIGITAL EQUIPMENT CORPORATION AND SHALL NOT BE REPRODUCED OR COPIED OR USED IN WHOLE OR IN PART AS THE BASIS FOR THE MANUFACTURE OR SALE OF ITEMS WITHOUT WRITTEN PERMISSION.  
 COPYRIGHT © 1980 DIGITAL EQUIPMENT CORPORATION

DAD7016773-0-0 R



SEE DETAIL C

DETAIL C  
SCALE: NONE

SECTION A-A  
SCALE: NONE

SECTION B-B  
SCALE: NONE

| REVISION HISTORY |            |      |
|------------------|------------|------|
| DATE             | ECO NUMBER | REV. |
|                  |            |      |

TITLE LOGIC CHASSIS  
ASSEMBLY

| DOCUMENT NUMBER |              |      |
|-----------------|--------------|------|
| SIZE CODE       | NUMBER       | REV. |
| DAD             | 7016773-0-0  | R    |
| SCALE NONE      | SHEET 2 OF 2 |      |

8 | 7 | 6 | 5 | 4 | 3 | 2 | 1

| LINE ITEM | TOP DOCUMENT | PART NUMBER      | MIN REV | DESCRIPTION | QTY PER VARIATION                |     |     |     |     |     |     |
|-----------|--------------|------------------|---------|-------------|----------------------------------|-----|-----|-----|-----|-----|-----|
|           |              |                  |         |             | 00                               | 01  | 02  | 03  | 04  | 05  |     |
| 1         | 1            | D-IA-7016778-0-0 |         | 7016778-00  | LOGIC WELDMENT                   | 1   | 1   | -   | -   | -   | -   |
| 2         | 2            | C-MD-7421465-0-0 |         | 7421465-00  | STRAIN RELIEF (TOP)              | 1   | 1   | 1   | 1   | 1   | 1   |
| 3         | 3            | C-AD-7016745-0-0 |         | 7016745-00  | FAN AND BRACKET ASSY.            | 2   | 2   | 2   | 2   | 2   | 2   |
| 4         | 4            | C-MD-7422445-0-0 |         | 7422445-00  | STRAIN RELIEF (BOTTOM)           | 1   | 1   | 1   | 1   | 1   | 1   |
| 5         | 5            | C-MD-7422702-0-0 |         | 7422702-00  | RETAINER, LOGIC CABLE            | 1   | 1   | 1   | 1   | 1   | 1   |
| 6         | 6            |                  |         | 1216878-00  | SPRING,EJECTOR .94 ODX1.261      | 1   | 1   | -   | -   | -   | -   |
| 7         | 7            | D-IA-7017610-0-0 |         | 7017610-0E  | STRAP, GROUNDING (5")            | 1   | 1   | 1   | 1   | 1   | 1   |
| 8         | 8            |                  |         | 1016924-00  | 297 MFD 165V AL EL               | 1   | -   | 1   | -   | 1   | -   |
| 9         | 9            |                  |         | 9006015-01  | SCREW,MACH PAN PHIL 4-           | 2   | 2   | 2   | 2   | 2   | 2   |
| 10        | 10           |                  |         | 9006655-00  | WASHER,FLAT SST                  | 2   | 2   | 2   | 2   | 2   | 2   |
| 11        | 11           |                  |         | 9006688-00  | WASHER,HELICAL SPLIT SST         | 2   | 2   | 2   | 2   | 2   | 2   |
| 12        | 12           | E-IA-7018331-0-0 |         | 7018331-00  | LOGIC DC POWER HARNESS(WOVEN)    | 1   | 1   | 1   | 1   | -   | -   |
| 13        | 13           |                  |         | 9007018-00  | GROMMET,ROUND RUBBER             | 1   | 1   | 1   | 1   | 1   | 1   |
| 14        | 14           | C-IA-7016978-0-0 |         | 7016978-00  | *** THIS ITEM IS NOT USED ***    | -   | -   | -   | -   | -   | -   |
| 15        | 15           | D-IA-7016733-0-0 |         | 7016733-00  | LOGIC AC HARNESS                 | 1   | 1   | 1   | 1   | 1   | 1   |
| 16        | 16           | C-IA-7016739-0-0 |         | 7016739-00  | READ/WRITE CABLE ASSY.           | 1   | 1   | 1   | 1   | 1   | 1   |
| 17        | 17           | C-IA-7016737-0-0 |         | 7016737-00  | *** THIS ITEM IS NOT USED ***    | -   | -   | -   | -   | -   | -   |
| 18        | 18           | C-IA-7016738-0-0 |         | 7016738-00  | *** THIS ITEM IS NOT USED ***    | -   | -   | -   | -   | -   | -   |
| 19        | 19           | B-IA-7016735-0-0 |         | 7016735-00  | *** THIS ITEM IS NOT USED ***    | -   | -   | -   | -   | -   | -   |
| 20        | 20           | D-IA-7016980-0-0 |         | 7016980-00  | *** THIS ITEM IS NOT USED ***    | -   | -   | -   | -   | -   | -   |
| 21        | 21           |                  |         | 9006037-02  | SCREW,MACH FLAT PHIL 8-          | 2   | 2   | 2   | 2   | 2   | 2   |
| 22        | 22           |                  |         | 9007033-00  | TIE,CABLE BUNDL.DIA 0-1-3/4"=101 | 4   | 4   | 4   | 4   | 4   | 4   |
| 23        | 23           |                  |         | 9006560-00  | NUT,HEX EXT TOOTH LCKWSHR 6-32   | 1   | 1   | 1   | 1   | 1   | 1   |
| 24        | 24           |                  |         | 9007035-00  | GROMMET,CATERPILLAR POLYAMIDE    | A/R | A/R | A/R | A/R | A/R | A/R |
| 25        | 25           |                  |         | 9009708-00  | SCREW,TAP PAN PHIL THD RL 6-     | 8   | 8   | 8   | 8   | 8   | 8   |
| 26        | 26           |                  |         | 9006659-00  | WASHER,FLAT S/PAS                | 3   | 3   | 3   | 3   | 3   | 3   |
| 27        | 27           |                  |         | 9007651-00  | WASHER,LOCK EXTERNAL STEEL       | 1   | 1   | 1   | 1   | 1   | 1   |
| 28        | 28           | C-IA-7016740-0-0 |         | 7016740-00  | *** THIS ITEM IS NOT USED ***    | -   | -   | -   | -   | -   | -   |

| REVISION HISTORY |               |     | BASIC PART NO: 7016773  |  |  | DRN: M. ENGLE  |  |  | DATE: 14-AUG-79  |  |  | DIGITAL                 |  |  |
|------------------|---------------|-----|-------------------------|--|--|--|--|--|--|--|--|-------------------------|--|--|
| ENG              | ECO NUMBER    | REV | SECTION A OF A          |  |  | CHK D: B. MAJOR  |  |  | DATE: 14-AUG-79  |  |  | TITLE PARTS LIST        |  |  |
| GN               | R80-CX004     | B   | SECTION.VARIATION INDEX |  |  | DES.ENG: A. CLARK <td colspan="3">DATE: 14-AUG-79 <td colspan="3">DOCUMENT NUMBER</td> </td>             |  |  | DATE: 14-AUG-79 <td colspan="3">DOCUMENT NUMBER</td>         |  |  | DOCUMENT NUMBER         |  |  |
| GN               | R80-CX007     | C   | [AJ00,01,02,03,04,05    |  |  | RESP.ENG.: B. MONTERO <td colspan="3">DATE: 14-AUG-79 <td colspan="3">SIZE!CODE! NUMBER ! REV</td> </td> |  |  | DATE: 14-AUG-79 <td colspan="3">SIZE!CODE! NUMBER ! REV</td> |  |  | SIZE!CODE! NUMBER ! REV |  |  |
| JN               | R80-CX008     | D   | [B]                     |  |  | MFG.ENG.: W. EHRMANN <td colspan="3">DATE: 14-AUG-79 <td colspan="3">RELEASE DATE:</td> </td>            |  |  | DATE: 14-AUG-79 <td colspan="3">RELEASE DATE:</td>           |  |  | RELEASE DATE:           |  |  |
| JN               | 7016773-CX002 | F   | [C]                     |  |  | ASSEMBLY NUMBER:   |  |  | TOP DOCUMENT NUMBER:   |  |  | FILE NAME:              |  |  |
| JN               | 7016773-CX003 | H   | [D]                     |  |  | E-AD-7016773-0-0   |  |  | #B-DD-7018446-0  |  |  | Z0495R.PLS              |  |  |
| JN               | 7016773-CX004 | J   | [E]                     |  |  | EDIT #:  |  |  |  |  |  | 9                       |  |  |
| JN               | 7016773-CX005 | K   | [F]                     |  |  |  |  |  |  |  |  |                         |  |  |
| JN               | R80-CX010     | L   |                         |  |  |  |  |  |  |  |  |                         |  |  |
| JN               | 7018446-CX002 | M   |                         |  |  |  |  |  |  |  |  |                         |  |  |
| GN               | 7019062-CX002 | N   |                         |  |  |  |  |  |  |  |  |                         |  |  |
| JR               | R80-CX14A     | P   |                         |  |  |  |  |  |  |  |  |                         |  |  |
| JR               | 7019062-CX004 | R   |                         |  |  |  |  |  |  |  |  |                         |  |  |

*Handwritten notes:*  
 24 Nov 79  
 B  
 John D. Reed 7016773

"THIS DRAWING AND THE SPECIFICATIONS CONTAINED HEREIN ARE CONFIDENTIAL AND PROPRIETARY. THEY ARE THE PROPERTY OF DIGITAL EQUIPMENT CORPORATION AND SHALL NOT BE REPRODUCED OR COPIED OR USED IN WHOLE OR IN PART AS THE BASIS FOR THE MANUFACTURE OR SALE OF ITEMS WITHOUT WRITTEN PERMISSION. THIS IS AN UNPUBLISHED WORK PROTECTED UNDER THE FEDERAL COPYRIGHT LAWS."

| LINE ITEM | TOP DOCUMENT | PART NUMBER      | MIN REV    | DESCRIPTION                        | QTY PER VARIATION |    |    |    |    |    |
|-----------|--------------|------------------|------------|------------------------------------|-------------------|----|----|----|----|----|
|           |              |                  |            |                                    | 00                | 01 | 02 | 03 | 04 | 05 |
| 29        | 29           | C-IA-7016737-0-0 | 7016737-01 | *** THIS ITEM IS NOT USED ***      | -                 | -  | -  | -  | -  | -  |
| 30        | 30           |                  | 9006565-00 | NUT,HEX EXT TOOTH LCKWSHR 10-32    | 1                 | 1  | 1  | 1  | 1  | 1  |
| 31        | 31           |                  | 9006024-01 | SCREW,MACH PAN PHIL 6-             | 1                 | 1  | 1  | 1  | 1  | 1  |
| 32        | 32           |                  | 9009556-00 | SPACER,THREADED RND PHEN 6-3       | 4                 | 4  | 4  | 4  | 4  | 4  |
| 33        | 33           |                  | 9009636-00 | *** THIS ITEM IS NOT USED ***      | -                 | -  | -  | -  | -  | -  |
| 34        | 34           |                  | 1017217-00 | *** THIS ITEM IS NOT USED ***      | -                 | -  | -  | -  | -  | -  |
| 35        | 35           |                  | 9007253-02 | *** THIS ITEM IS NOT USED ***      | -                 | -  | -  | -  | -  | -  |
| 36        | 36           | B-MD-7425331-0-0 | 7425331-00 | INSULATOR                          | 5                 | 5  | 5  | 5  | 5  | 5  |
| 37        | 37           |                  | 1019003-01 | 53-64MFD 330V AL EL                | -                 | 1  | -  | 1  | -  | 1  |
| 38        | 38           | D-IA-7016778-0-0 | 7016778-01 | LOGIC WELDMENT (FCC COMPLIANT)     | -                 | -  | 1  | 1  | 1  | 1  |
| 39        | 39           | E-IA-7018331-0-0 | 7018331-01 | RA81, HHT LEADS                    | -                 | -  | -  | -  | 1  | 1  |
| 40        | 40           |                  | 9008264-00 | A MOUNT, CABLE TIE, ADHESIVE BACKE | 1                 | 1  | 1  | 1  | 1  | 1  |
| 41        | 41           |                  | 9007032-00 | D TIE,CABLE BUNDL.DIA 0-1-3/4"=101 | 1                 | 1  | 1  | 1  | 1  | 1  |
| 42        | 42           |                  | 1221368-05 | A SCREW,SEMS PAN PHIL 6-           | 4                 | 4  | 4  | 4  | 4  | 4  |

| NOTE | PART NUMBER | VARIATION                    |
|------|-------------|------------------------------|
| 43   | -           | LEGEND                       |
| 44   | 7016773-00  | 120V/60HZ NOT FCC COMPLIANT  |
| 45   | 7016773-01  | 240V/50HZ NOT FCC COMPLIANT  |
| 46   | 7016773-02  | 120V/60HZ FCC COMPLIANT      |
| 47   | 7016773-03  | 240V/50HZ FCC COMPLIANT      |
| 48   | 7016773-04  | 120V/60HZ RA81 FCC COMPLIANT |
| 49   | 7016773-05  | 240V/50HZ RA81 FCC COMPLIANT |

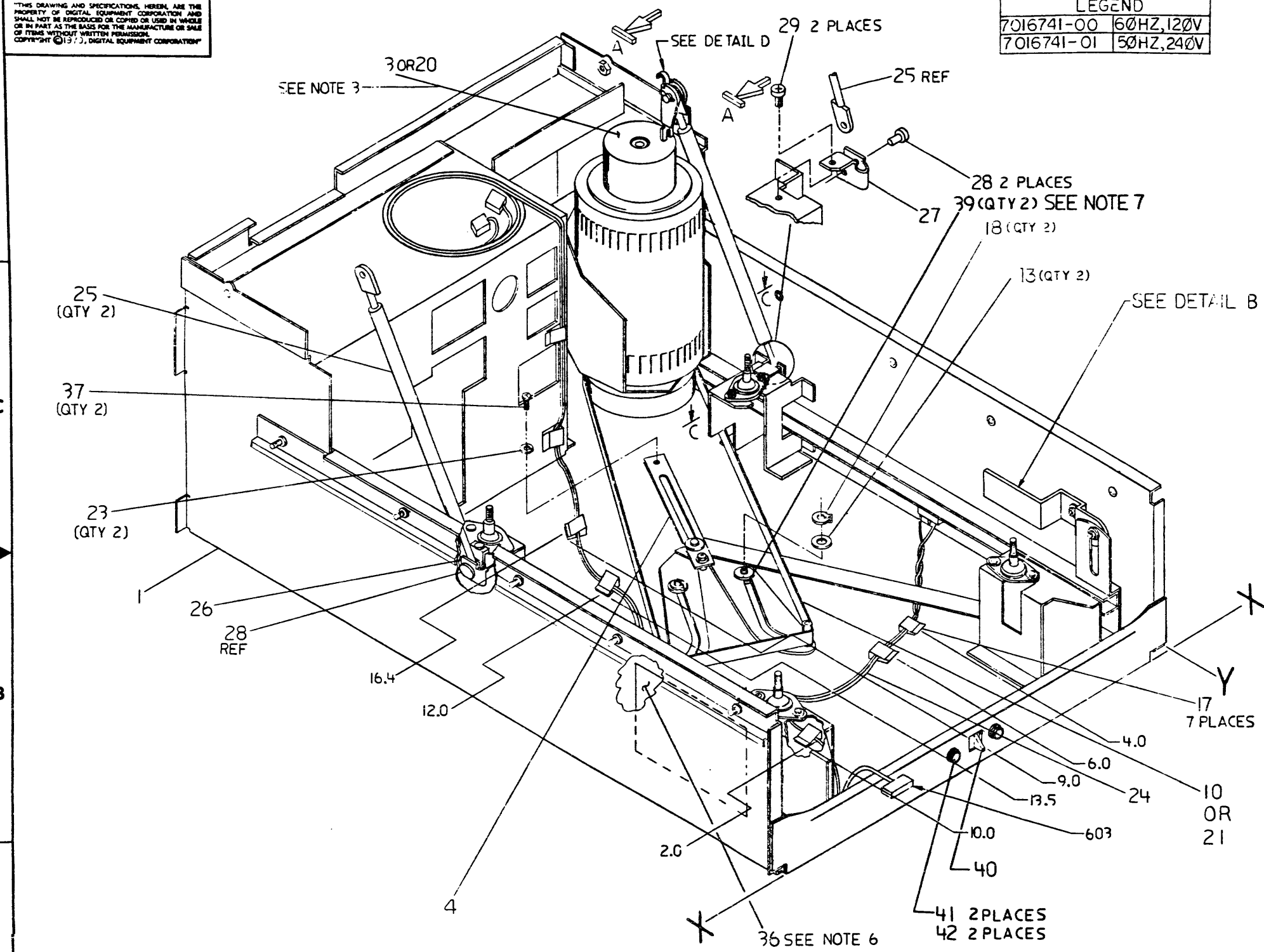
|   |   |   |   |   |   |   |       |                        |           |      |      |      |                 |     |
|---|---|---|---|---|---|---|-------|------------------------|-----------|------|------|------|-----------------|-----|
| D | I | G | I | T | A | L | TITLE | LOGIC CHASSIS ASSEMBLY | SECTION A | OF A | SIZE | CODE | DOCUMENT NUMBER | REV |
|   |   |   |   |   |   |   |       |                        |           |      | K    | PL   | 7016773-0-DBP   | R   |



THIS DRAWING AND SPECIFICATIONS HEREAFTER ARE THE PROPERTY OF DIGITAL EQUIPMENT CORPORATION AND SHALL NOT BE REPRODUCED OR COPIED OR USED IN WHOLE OR IN PART AS THE BASIS FOR THE MANUFACTURE OR SALE OF ITEMS WITHOUT WRITTEN PERMISSION. COPYRIGHT © 1972, DIGITAL EQUIPMENT CORPORATION

| LEGEND     |            |
|------------|------------|
| 7016741-00 | 60HZ, 120V |
| 7016741-01 | 50HZ, 240V |

- NOTES:
1. MOTOR TENSION TO BE SET BY TURNING ADJUSTING SCREW ON MOTOR/BRAKE ASSY UNTIL INDICATOR EXTENDS SLIGHTLY BEYOND INDICATED SURFACE, (VIEW C-C), THEN REVERSE DIRECTION ON ADJUSTING SCREW UNTIL INDICATOR IS FLUSH. THIS PROCEDURE MUST BE DONE WITH EITHER AN HDA OR EQUIVALENT INSTALLED.
  2. ~~ADD LOCTITE 222 (ITEM 31) TO THREADS OF SCREW (ITEM 01) BEFORE ASSEMBLING.~~
  3. IN DRIVES EQUIPPED WITH MOTOR PART NO. 1216578-01, A 43-53μfd START CAPACITOR IS REQUIRED IN LOGIC CHASSIS. (50 HZ ONLY).
  4. DELETED PER ECO 7018446-CX003.
  5. DELETED PER ECO 7018446-CX003.
  6. LOCATE LABEL (ITEM 36) APPROXIMATELY AS SHOWN.
  7. LOCATE MYLAR WASHER (ITEM 43) BETWEEN THE BASEPLATE WELDMENT (ITEM 1) AND THE WING PIVOT ASSEMBLY (ITEM 4).



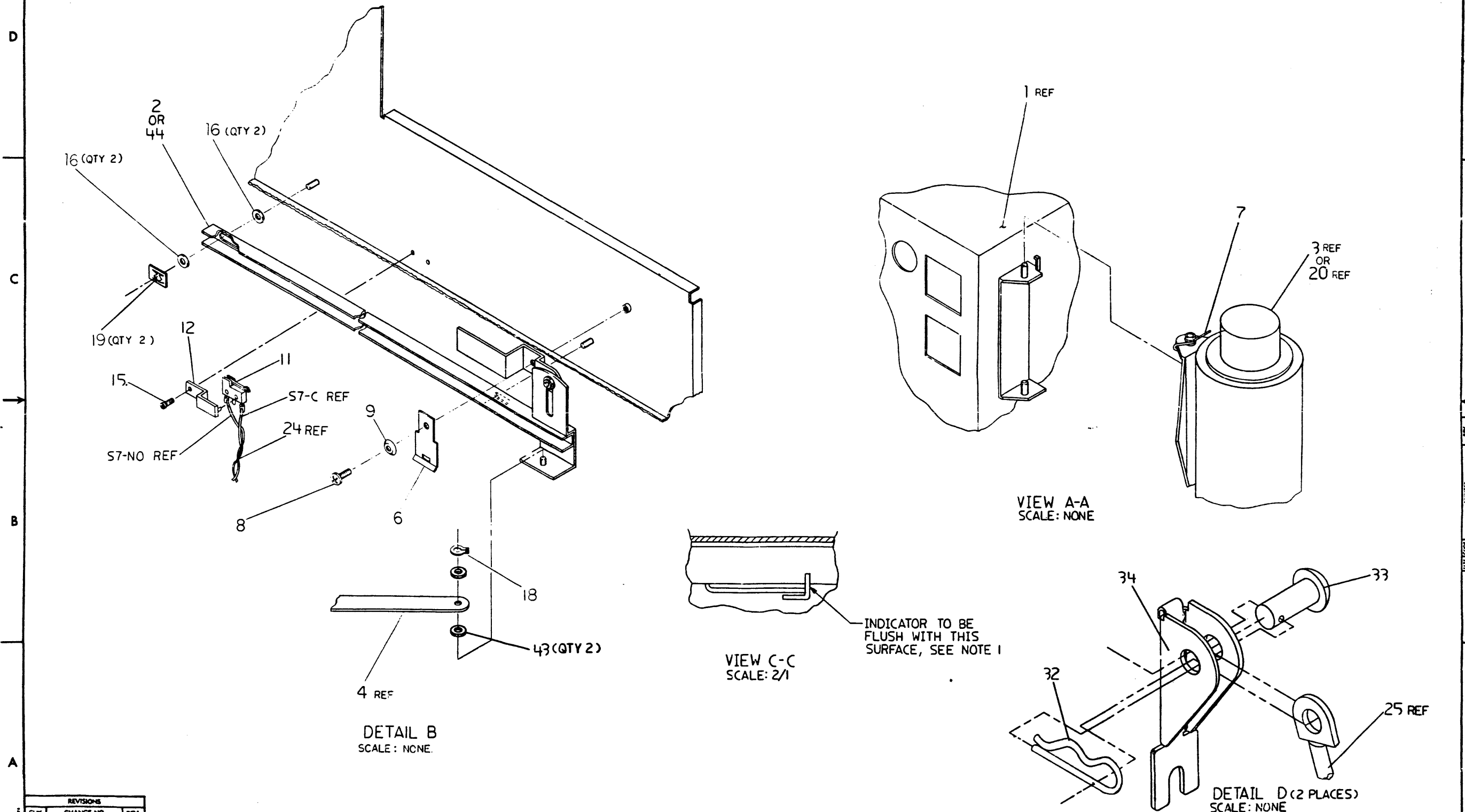
CAUTION: OFF SHEET PARTS LIST EXISTS. SEE K-PL-7016741-0-DBP (Z0486).

| REV. | DATE      | BY           | CHKD. | DESCRIPTION                          |
|------|-----------|--------------|-------|--------------------------------------|
| 1    | 18 JAN 80 | G. NORDBERG  |       | RELEASED TO ECO CONTROL PER PCO -589 |
| 2    | 18 SEP 80 | G. NORDBERG  |       | DC. 18 SEP 80                        |
| 3    | 24 MAR 81 | J. NORDBERG  |       | R. N. 24 MAR 81                      |
| 4    | 21 MAY 81 | J. NORDBERG  |       | DB. 21 MAY 81                        |
| 5    | 17 JAN 82 | G. FRENCHMAN |       | TE. 17 JAN 82                        |
| 6    | 6 FEB 82  | J. NORDBERG  |       | K.D. 6 FEB 82                        |
| 7    | 9 AUG 82  | G. FRENCHMAN |       | C.H. 9 AUG 82                        |
| 8    | 14 OCT 82 | G. FRENCHMAN |       | M.N. 14 OCT 82                       |
| 9    | 10 JAN 83 | M. HAMMER    |       | CX005 R.B. 10 JAN 83                 |
| 10   | 10 JUL 83 | J. READ      |       | RM80-CX009 10 JUL 83                 |
| 11   | 15 NOV 83 | T. FRUGE     |       | AP15NOV83                            |

| QUANTITY & VARIATION                 | DESCRIPTION   | DWG./PART NO.                  | ITEM NO.           |
|--------------------------------------|---|--------------------------------|--------------------|
|                                      | UNLESS OTHERWISE SPECIFIED DIMENSIONS ARE IN INCHES |                                |                    |
| ANGLES 30° 30'                       | CLASS OF ACCURACY (CHECK ONE)                       | NOMINAL DIMENSION RANGE INCHES |                    |
| SURFACE QUALITY IN                   | MEDIUM  | OVER 0 TO 0.2                  | OVER 0.2 TO 0.5    |
| MICROINCHES                          | PREFERRED   | OVER 0.5 TO 1.2                | OVER 1.2 TO 4.0    |
|                                      |   | OVER 4.0 TO 12.0               | OVER 12.0 TO 48.0  |
|                                      |   | OVER 48.0 TO 80.0              | OVER 80.0 TO 100.0 |
|                                      |   | ±.004                          | ±.008              |
|                                      |   | ±.012                          | ±.016              |
|                                      |   | ±.026                          | ±.031              |
|                                      |   | ±.04                           | ±.053              |
|                                      |   | ±.083                          | ±.1                |
| THIRD ANGLE PROJECTION               | DRN   | FIRST USED ON                  |                    |
| REMOVE BURRS AND BREAK SHARP CORNERS | CHK'D   | TITLE                          |                    |
| DO NOT SCALE DWG                     | ENGR.   | LOWER CHASSIS ASSEMBLY         |                    |
|                                      | PROL. ENG.  | MATERIAL                       |                    |
|                                      | PROD.   | SEE PARTS LIST                 |                    |
|                                      |   | NEXT HIGHER ASSY.              |                    |
|                                      |   | D-0-7018446-0-0                |                    |
|                                      |   | SCALE N.C.M.E.                 |                    |
|                                      |   | SHEET 1 OF 2                   |                    |
|                                      |   | D AD 7016741-0-0               |                    |
|                                      |   | REV. ?                         |                    |

D AD 7016741-0-0 P

THIS DRAWING AND SPECIFICATIONS HEREIN ARE THE PROPERTY OF DIGITAL EQUIPMENT CORPORATION AND SHALL NOT BE REPRODUCED OR COPIED OR USED IN WHOLE OR IN PART AS THE BASIS FOR THE MANUFACTURE OR SALE OF ITEMS WITHOUT WRITTEN PERMISSION. COPYRIGHT © 1973, DIGITAL EQUIPMENT CORPORATION



| REVISIONS |            |      |
|-----------|------------|------|
| CHK       | CHANGE NO. | REV. |
|           |            |      |
|           |            |      |
|           |            |      |
|           |            |      |
|           |            |      |
|           |            |      |
|           |            |      |
|           |            |      |
|           |            |      |

|                        |                 |        |      |
|------------------------|-----------------|--------|------|
| TITLE                  | SIZE/CODE       | NUMBER | REV. |
| LOWER CHASSIS ASSEMBLY | DAD 7016741-0-0 |        | P    |
| SCALE NONE             | SHEET 2 OF 2    | DIST.  |      |

DAD 7016741-0-0 P

| LINE | ITEM | TOP DOCUMENT       | PART NUMBER | MIN REV | DESCRIPTION                         | QTY | PER | VARIATION |
|------|------|--------------------|-------------|---------|-------------------------------------|-----|-----|-----------|
|      |      |                    |             |         |                                     | 00  | 01  |           |
| 1    | 1    | D-IA-7016234-0-0   | 7016234-01  |         | BASEPLATE WELDMENT                  | 1   | 1   |           |
| 2    | 2    | D-AD-7016724-0-0   | 7016724-00  |         | ASSEMBLY, ACTUATOR (BTRM)           | -   | 1   |           |
| 3    | 3    | C-AD-7016723-0-0   | 7016723-02  |         | LOW VOLTAGE 60HZ                    | 1   | -   |           |
| 4    | 4    | C-IA-7016230-0-0   | 7016230-00  |         | ASSEMBLY, WING PIVOT (BTRM)         | 1   | 1   |           |
| 5    | 5    | -                  | 1216902-00  |         | *** THIS ITEM IS NOT USED ***       | -   | -   |           |
| 6    | 6    | B-MD-7421993-0-0   | 7421993-00  |         | SPRING, HANDLE LOCK                 | 1   | 1   |           |
| 7    | 7    | B-MD-7422440-0-0   | 7422440-00  |         | SPRING, BELT RELEASE                | 1   | 1   |           |
| 8    | 8    |                    | 9009836-00  |         | SCREW, MACH TRUSS PHIL 8-           | 1   | 1   |           |
| 9    | 9    |                    | 9010204-00  |         | WASHER, SPRING BELLEVLE SST         | 1   | 1   |           |
| 10   | 10   |                    | 1212635-03  |         | BELT, WOVEN, ENDLESS, 1/2"W X 35.68 | 1   | -   |           |
| 11   | 11   |                    | 1214011-00  |         | SW, MICRO 1PDT NC-NO 5A             | 1   | 1   |           |
| 12   | 12   | K-MD-7425943-0-DBU | 7425943-01  |         | BRACKET, SWITCH                     | 1   | 1   |           |
| 13   | 13   |                    | 9006714-00  |         | WASHER, FLAT NYLON                  | 2   | 2   |           |
| 14   | 14   |                    | 9009514-01  |         | *** THIS ITEM IS NOT USED ***       | -   | -   |           |
| 15   | 15   |                    | 9009905-00  |         | SCREW, TAP PAN PHIL THD RL 6-       | 1   | 1   |           |
| 16   | 16   |                    | 9008990-00  |         | WASHER, SHOULDER NYLON              | 4   | 4   |           |
| 17   | 17   |                    | 9009636-00  |         | CLAMP, CABLE ADH MNT                | 7   | 7   |           |
| 18   | 18   |                    | 9008137-00  |         | RING, RETAINER EXTERNAL FOR .250    | 3   | 3   |           |
| 19   | 19   |                    | 9010399-01  |         | FASTENER, PUSH-ON, S-LOCK ROUND F/  | 2   | 2   |           |
| 20   | 20   | D-AD-7016723-0-0   | 7016723-03  |         | HIGH VOLTAGE 50HZ                   | -   | 1   |           |
| 21   | 21   |                    | 1212635-05  | C       | BELT, WOVEN, ENDLESS, .375WX36.81L  | -   | 1   |           |
| 22   | 22   |                    | 1220305-01  |         | *** THIS ITEM IS NOT USED ***       | -   | -   |           |
| 23   | 23   |                    | 9007801-00  |         | WASHER, HELICAL SPLIT SST           | 2   | 2   |           |
| 24   | 24   | D-IA-7016980-0-0   | 7016980-00  |         | BELT TENSION SWITCH HARNESS         | 1   | 1   |           |
| 25   | 25   |                    | 1217072-00  |         | SPRING, GAS .59 ODX11.85            | 2   | 2   |           |
| 26   | 26   | B-MD-7422795-0-0   | 7422795-01  |         | GAS SPRING, PIVOT                   | 1   | 1   |           |
| 27   | 27   | B-MD-7422795-0-0   | 7422795-00  |         | GAS SPRING PIVOT (L.H.)             | 1   | 1   |           |
| 28   | 28   |                    | 9010210-00  |         | PIN, CLEVIS 0.225ODX0.700LG MAX     | 2   | 2   |           |

| REVISION HISTORY |               |     | BASIC PART NO: 7016741  |    |   | DRN: R. M. TUSLER |                  |                      | DATE: 14-AUG-79 |                 |            | D I G I T A L |     |  |
|------------------|---------------|-----|-------------------------|----|---|-------------------|------------------|----------------------|-----------------|-----------------|------------|---------------|-----|--|
| ENG              | ECO NUMBER    | REV | SECTION A               | OF | A | CHK'D:            | R. E. THELLEN    | DATE:                | 14-AUG-79       | TITLE           | PARTS LIST |               |     |  |
| GN               | R80-CX004     | B   | SECTION VARIATION INDEX |    |   | DES.ENG:          | A. CLARK         | DATE:                | 14-AUG-79       | DOCUMENT NUMBER |            |               |     |  |
| JN               | R80-CX008     | C   | [AJ00,01                |    |   | RESP.ENG.:        | W. MONTERO       | DATE:                | 14-AUG-79       | SIZE            | CODE       | NUMBER        | REV |  |
| JN               | 7018446-CX001 | D   |                         |    |   | MFG.ENG.:         | W. EHRMANN       | DATE:                | 16-JAN-80       | RELEASE DATE:   |            |               |     |  |
| GN               | 7016741-CX002 | E   | [B]                     |    |   | ASSEMBLY NUMBER:  | D-AD-7016741-0-0 | TOP DOCUMENT NUMBER: | #B-DD-7018446-0 | FILE NAME:      | Z0486P.PLS | EDIT #:       | 83  |  |
| JN               | 7016741-CX003 | F   |                         |    |   |                   |                  |                      |                 |                 |            |               |     |  |
| JN               | R80-CX012     | H   | [C]                     |    |   |                   |                  |                      |                 |                 |            |               |     |  |
| JN               | 7018446-CX003 | J   |                         |    |   |                   |                  |                      |                 |                 |            |               |     |  |
| JN               | 7018446-CX004 | K   | [D]                     |    |   |                   |                  |                      |                 |                 |            |               |     |  |
| JN               | 7018446-CX005 | L   |                         |    |   |                   |                  |                      |                 |                 |            |               |     |  |
| JR               | R80-CX14A     | M   | [E]                     |    |   |                   |                  |                      |                 |                 |            |               |     |  |
| JR               | RM80-CX009    | N   |                         |    |   |                   |                  |                      |                 |                 |            |               |     |  |
| TF               | 7016741-CX04A | P   | [F]                     |    |   |                   |                  |                      |                 |                 |            |               |     |  |

19064  
83

"THIS DRAWING AND THE SPECIFICATIONS CONTAINED HEREIN ARE CONFIDENTIAL AND PROPRIETARY. THEY ARE THE PROPERTY OF DIGITAL EQUIPMENT CORPORATION AND SHALL NOT BE REPRODUCED OR COPIED OR USED IN WHOLE OR IN PART AS THE BASIS FOR THE MANUFACTURE OR SALE OF ITEMS WITHOUT WRITTEN PERMISSION. THIS IS AN UNPUBLISHED WORK PROTECTED UNDER THE FEDERAL COPYRIGHT LAWS."

| LINE | ITEM | TOP DOCUMENT       | PART NUMBER | MIN REV | DESCRIPTION                    | QTY | PER | VARIATION |
|------|------|--------------------|-------------|---------|--------------------------------|-----|-----|-----------|
|      |      |                    |             |         |                                | 00  | 01  |           |
| 29   | 29   |                    | 9010075-00  | B       | SCREW,TAP HEXWW THD RL 8-      | 2   | 2   |           |
| 30   | 30   |                    | 9006690-00  |         | *** THIS ITEM IS NOT USED ***  | -   | -   |           |
| 31   | 31   |                    | 4901344-00  |         | *** THIS ITEM IS NOT USED ***  | -   | -   |           |
| 32   | 32   |                    | 9010211-00  |         | CLIP,HITCH PIN 9/16L SPRW/ZINC | 2   | 2   |           |
| 33   | 33   |                    | 9010210-01  |         | PIN,CLEVIS 0.0430DX0.470LG     | 2   | 2   |           |
| 34   | 34   | B-MD-7422694-0-0   | 7422694-00  |         | BRACKET, GAS SPRING PIVOT      | 2   | 2   |           |
| 35   | 35   | B-MD-7425746-0-0   | 7425746-01  |         | *** THIS ITEM IS NOT USED ***  | -   | -   |           |
| 36   | 36   |                    | 4901462-00  |         | *** THIS ITEM IS NOT USED ***  | -   | -   |           |
| 37   | 37   |                    | 4901465-00  |         | *** THIS ITEM IS NOT USED ***  | -   | -   |           |
| 38   | 38   |                    | 3618804-01  |         | LABEL,LOCK INFORMATION         | 1   | 1   |           |
| 39   | 39   |                    | 9009514-00  |         | SCREW,TAP PAN PHIL 6-          | 10  | 10  |           |
| 40   | 40   | K-MD-7428319-0-DBU | 7428319-01  | A       | DETENT,LATCH .                 | 1   | 1   |           |
| 41   | 41   |                    | 9006668-01  | A       | WASHER,FLAT SST                | 2   | 2   |           |
| 42   | 42   |                    | 9006231-09  | CR      | SCREW,MACH HEX PLN 10-         | 2   | 2   |           |
| 43   | 43   |                    | 9010241-00  | A       | WASHER,FLAT MYLAR              | 2   | 2   |           |
| 44   | 44   | D-AD-7016724-0-0   | 7016724-01  |         | ACTUATOR ASSY.                 | 1   | -   |           |

| NOTE | DESCRIPTION      | VARIATION |
|------|------------------|-----------|
| 45   | NOTE: -          | LEGEND    |
| 46   | NOTE: PART NO.   | VARIATION |
| 47   | NOTE: 7016741-00 | 120V,60HZ |
| 48   | NOTE: 7016741-01 | 240V,50HZ |

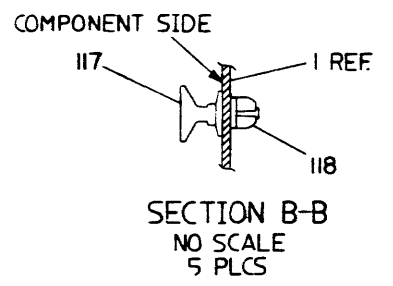
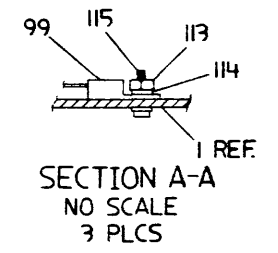
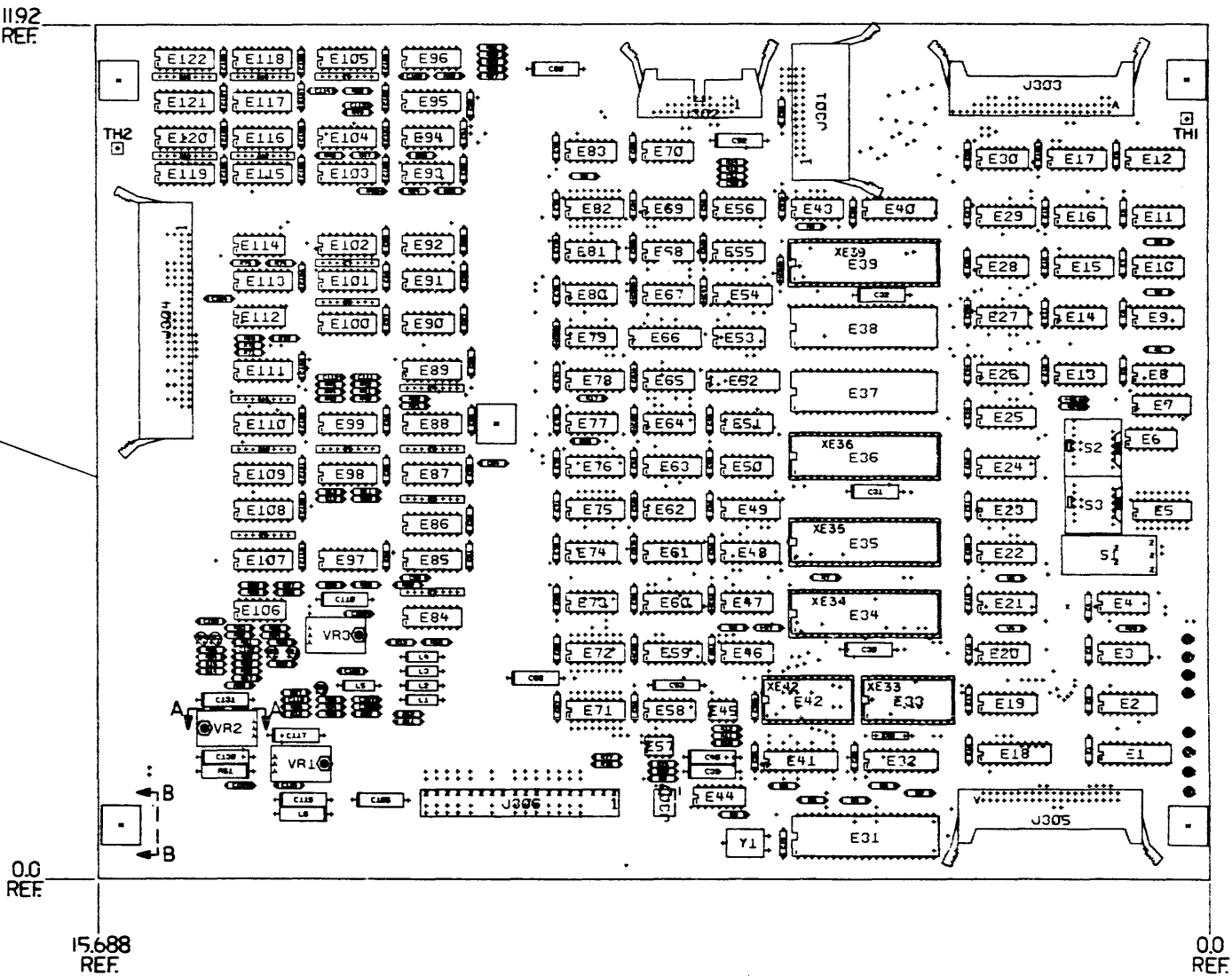
|   |   |   |   |   |   |   |                        |                |      |      |                 |     |
|---|---|---|---|---|---|---|------------------------|----------------|------|------|-----------------|-----|
| D | I | G | I | T | A | L | TITLE                  | SECTION A OF A | SIZE | CODE | DOCUMENT NUMBER | REV |
|   |   |   |   |   |   |   | LOWER CHASSIS ASSEMBLY |                | K    | PL   | 7016741-0-DBP   | P   |

THIS DRAWING AND SPECIFICATIONS ARE THE PROPERTY OF DIGITAL EQUIPMENT CORPORATION AND SHALL NOT BE REPRODUCED OR COPIED IN WHOLE OR IN PART WITHOUT WRITTEN PERMISSION.  
 © 1982 DIGITAL EQUIPMENT CORPORATION

D  
C  
B  
A



DIA 5415284-0-0



LEGEND

JUMPER STATUS

|     |                                 |
|-----|---------------------------------|
| W1  | 60 HZ MOTOR-IN, 50 HZ MOTOR-OUT |
| W2  | IN                              |
| W3  | OUT                             |
| W4  | IN                              |
| W5  | IN                              |
| W6  | IN                              |
| W7  | OUT                             |
| W8  | IN                              |
| W9  | IN                              |
| W10 | FACTORY SELECTED—DO NOT ALTER   |
| W11 |                                 |
| W12 |                                 |
| W13 | FACTORY SELECTED—DO NOT ALTER   |
| W14 | OUT                             |

NOTES 1. LOCATIONS E5, E7, E71, E72 & E82 ARE SPARES.  
 2. E33 IS A RESERVED ROM LOCATION WITH ETCH, NOT TO BE USED AS A SPARE.  
 3. L2-L4 ARE SPECIAL COMPONENTS—NOT INSERTED.

|                          |      |
|--------------------------|------|
| CHANGE NO.               | REV. |
| 1                        | C    |
| SYNOPSIS BY: [Signature] |      |
| DATE: [Date]             |      |

|           |   |
|-----------|---|
| ETCH REV. | A |
|-----------|---|

|                                  |          |
|----------------------------------|----------|
| SIGNATURES                       | DATE     |
| DRN. Eric [Signature]            | 3 NOV 82 |
| CHK J. [Signature]               | 4 NOV 82 |
| MECH. ENG. [Signature]           |          |
| PROJ. ENG. [Signature]           |          |
| PROD. [Signature]                |          |
| SCALE 1/1                        |          |
| SHT. 1 OF 1                      |          |
| NEXT HIGHER ASSY. B-DD-5415284-0 |          |

|                   |                |
|-------------------|----------------|
| TITLE             | RAS0           |
|                   | MICROPROCESSOR |
| SIZE CODE         | NUMBER         |
| D UA: 5415284-0-0 | C              |

| LINE | ITEM | DOCUMENT NUMBER | PART NUMBER | DESCRIPTION                      | QTY | PER VARIATION | REFERENCE DESIGNATOR   |
|------|------|-----------------|-------------|----------------------------------|-----|---------------|--|
|      |      |                 |             |                                  | 01  |               |  |
| 1    | 1    | B-DD-5015283-0  | 5015283-01  | DRILL AND ETCH BRD.              | 1   |               |  |
| 2    | 2    |                 | 1000076-00  | 39 MFD 10V 10% S.TANT            | 1   |               | C53  |
| 3    | 3    |                 | 1001610-00  | .01 MFD 50V +80-20% Z5U CER      | 112 |               | C1-C29,C33-C38,C41-C49,C54-C65,<br>CONT C67-C79,C81-C83,C85-C92,<br>CONT C94-C102,C104,C109,C111,C112,<br>CONT C116,C118-C129,C132,C133,<br>CONT C135-C138 |
| 4    | 4    |                 | 1004813-00  | 10 MFD 20V 10% S.TANT            | 2   |               | C39,C40  |
| 5    | 5    |                 | 1005306-00  | 6.8MFD 35V 10% S.TANT            | 1   |               | C66  |
| 6    | 6    |                 | 1013466-05  | 56.0 MMF 50V 5% CER              | 1   |               | C114   |
| 7    | 7    |                 | 1013466-07  | 220.0 MMF 50V 5% CER             | 2   |               | C84,C93  |
| 8    | 8    |                 | 1013466-09  | 1000.0 MMF 50V 10% X7R CER       | 3   |               | C50,C51,C134   |
| 9    | 9    |                 | 1013466-16  | .010 MFD 50V 10% X7R CER         | 1   |               | C106   |
| 10   | 10   |                 | 1013466-18  | 330.0 MMF 50V 5% CER             | 2   |               | C107,C108  |
| 11   | 11   |                 | 1013466-19  | 470.0 MMF 50V 5% CER             | 1   |               | C103   |
| 12   | 12   |                 | 1013466-23  | 22.0 MMF 50V 5% CER              | 1   |               | C113   |
| 13   | 13   |                 | 1016555-00  | 22 MFD 50V +50-10% AL EL         | 2   |               | C115,C130  |
| 14   | 14   |                 | 1017472-00  | 10 MFD 35V +50-10% AL EL         | 9   |               | C30,C31,C32,C52,C80,C105,C110,<br>CONT C117,C131   |
| 15   | 15   |                 | 1100114-00  | D 664 QS\75PCB PIV= 25V SP       | 2   |               | D9,D10   |
| 16   | 16   |                 | 1105873-00  | 4M5-1A21 VZ= 5.1 1% .400W        | 1   |               | D13  |
| 17   | 17   |                 | 1109517-00  | 1N 914B TR= 4M5 PIV= 75V SY      | 2   |               | D14,D15  |
| 18   | 18   |                 | 1112689-00  | LED .8MCD@16MA VF=5V             | 8   |               | D1-D8  |
| 19   | 19   |                 | 1116824-00  | 1N 5456C 30V 400MW 2% VARACTOR D | 2   |               | D11,D12  |
| 20   | 20   |                 | 1210266-00  | SW,TOG 1PDT (ON)-OFF-(ON) 0.4    | 1   |               | S1   |
| 21   | 21   |                 | 1212204-12  | PCB HEADER 02PIN(1X02).156CC 90D | 1   |               | J307   |
| 22   | 22   |                 | 1212204-14  | PCB HEADER 18PIN(1X18).156CC 90D | 1   |               | J306   |
| 23   | 23   |                 | 1216458-00  | SW,ROT 1P16POS 28VDC/3A BINA     | 2   |               | S2,S3  |
| 24   | 24   |                 | 1216832-00  | PCB,HEADER 20POS(2X10).100CC 90D | 1   |               | J302   |
| 25   | 25   |                 | 1216832-01  | PCB,HEADER 26POS(2X13).100CC 90D | 1   |               | J301   |

| REVISION HISTORY |               | BASIC PART NO: 5415284 |                         | DRN: <i>Sue Bourbeau</i> SUE BOURBEAU |                                | DATE: 03-NOV-82      |           | D I G I T A L        |            |
|------------------|---------------|------------------------|-------------------------|---------------------------------------|--------------------------------|----------------------|-----------|----------------------|------------|
| ENG              | ECO NUMBER    | REV                    | SECTION A OF A          | CHK'D:                                | <i>Ron Michaud</i> RON MICHAUD | DATE:                | 03-NOV-82 | TITLE                | PARTS LIST |
| GF               | 5415284-CX004 | C                      | SECTION.VARIATION INDEX |                                       |                                |                      |           | RABO MICROPROCESSOR  |            |
|                  |               |                        | [A] 01                  |                                       |                                |                      |           |                      |            |
|                  |               |                        | [B]                     | DES.ENG:                              | <i>G Frenchman</i> G FRENCHMAN | DATE:                | 03-NOV-82 |                      |            |
|                  |               |                        | [C]                     |                                       |                                |                      |           |                      |            |
|                  |               |                        | [D]                     |                                       |                                |                      |           |                      |            |
|                  |               |                        | [E]                     | RESP.ENG.:                            | <i>G Frenchman</i> G FRENCHMAN | DATE:                | 03-NOV-82 | DOCUMENT NUMBER      |            |
|                  |               |                        | [F]                     |                                       |                                |                      |           |                      |            |
|                  |               |                        | [G]                     |                                       |                                |                      |           |                      |            |
|                  |               |                        | [H]                     |                                       |                                |                      |           |                      |            |
|                  |               |                        | [I]                     | MFG.ENG.:                             | <i>A Kassak</i> A KASSAK       | DATE:                | 03-NOV-82 | SIZE CODE NUMBER REV |            |
|                  |               |                        | [J]                     |                                       |                                |                      |           |                      |            |
|                  |               |                        | [K]                     |                                       |                                |                      |           |                      |            |
|                  |               |                        | [L]                     |                                       |                                |                      |           |                      |            |
|                  |               |                        | [M]                     | ASSEMBLY NUMBER:                      |                                | TOP DOCUMENT NUMBER: |           | FILE NAME:           | EDIT #     |
|                  |               |                        | [N]                     | D-UA-5415284-0-0                      |                                | #B-DD-5415284-0      |           | Z2184C.PLS           | 13         |

THIS DRAWING AND SPECIFICATIONS HEREIN, ARE THE PROPERTY OF DIGITAL EQUIPMENT CORPORATION AND SHALL NOT BE REPRODUCED OR COPIED OR USED IN WHOLE OR IN PART AS THE BASIS FOR THE MANUFACTURE OR SALE OF ITEMS WITHOUT WRITTEN PERMISSION.

COPYRIGHT (C) 1983. DIGITAL EQUIPMENT CORPORATION

| LINE | ITEM | DOCUMENT NUMBER | PART NUMBER | DESCRIPTION                      | QTY PER VARIATION | REFERENCE DESIGNATOR                                    |
|------|------|-----------------|-------------|----------------------------------|-------------------|---|
|      |      |                 |             |                                  | 01                |   |
| 26   | 26   |                 | 1216832-02  | PCB,HEADER 40POS(2X20).100CC 90D | 2                 | J303,J305   |
| 27   | 27   |                 | 1216832-03  | PCB,HEADER 50POS(2X25).100CC 90D | 1                 | J304  |
| 28   | 28   |                 | 1300005-03  | R NETWORK 13-10K 5.0 % 14PIN     | 2                 | E6,E43  |
| 29   | 29   |                 | 1300202-00  | 47.0 .25 W 5.0 % CF              | 5                 | R52,R53,R55,R67,R69                                     |
| 30   | 30   |                 | 1300229-00  | 100.0 .25 W 5.0 % CF             | 4                 | R23,R60,R61,R64   |
| 31   | 31   |                 | 1300250-00  | 150.0 .25 W 5.0 % CF             | 2                 | R42,R45   |
| 32   | 32   |                 | 1300271-00  | 220.0 .25 W 5.0 % CF             | 4                 | R12,R15,R27,R29   |
| 33   | 33   |                 | 1300295-00  | 330.0 .25 W 5.0 % CF             | 3                 | R28,R30,R37   |
| 34   | 34   |                 | 1300316-00  | 470.0 .25 W 5.0 % CF             | 9                 | R2,R3,R5,R6,R20,R38,R39,R54,R65                         |
| 35   | 35   |                 | 1300365-00  | 1.0 K .25 W 5.0 % CF             | 13                | R1,R4,R7,R8,R9,R17,R21,R22,R31,<br>CONT R46,R71,R72,R78 |
| 36   | 36   |                 | 1300417-00  | 2.20 K .25 W 5.0 % CF            | 2                 | R76,R77   |
| 37   | 37   |                 | 1300432-00  | 3.0 K .25 W 5.0 % CF             | 1                 | R56   |
| 38   | 38   |                 | 1300447-00  | 4.70 K .25 W 5.0 % CF            | 4                 | R24,R25,R47,R48   |
| 39   | 39   |                 | 1300479-00  | 10.0 K .25 W 5.0 % CF            | 1                 | R16   |
| 40   | 40   |                 | 1300496-00  | 15.0 K .25 W 5.0 % CF            | 2                 | R10,R11   |
| 41   | 41   |                 | 1301401-00  | 750.0 .25 W 5.0 % CF             | 2                 | R18,R19   |
| 42   | 42   |                 | 1301422-00  | 7.50 K .25 W 5.0 % CF            | 2                 | R13,R14   |
| 43   | 43   |                 | 1301424-00  | 680.0 .25 W 5.0 % CF             | 2                 | R58,R59   |
| 44   | 44   |                 | 1301425-00  | 300.0 .25 W 5.0 % CF             | 2                 | R49,R50   |
| 45   | 45   |                 | 1301477-00  | 82.0 .25 W 5.0 % CF              | 4                 | R40,R41,R43,R44   |
| 46   | 46   |                 | 1301948-00  | 49.90 .50 W 1.0 % RN60C-F 5      | 1                 | R51   |
| 47   | 47   |                 | 1302177-00  | 47.0 K .25 W 5.0 % CF            | 1                 | R32   |
| 48   | 48   |                 | 1302411-00  | 511.0 .25 W 1.0 % RN55D-F10      | 1                 | R57   |
| 49   | 49   |                 | 1302644-00  | 226.0 .25 W 1.0 % RN55D-F10      | 1                 | R33   |
| 50   | 50   |                 | 1302956-00  | 196.0 .25 W 1.0 % RN55D-F10      | 4                 | R70,R73-R75   |
| 51   | 51   |                 | 1305124-00  | 287.0 .25 W 1.0 % RN55D-F10      | 1                 | R36   |
| 52   | 52   |                 | 1305419-00  | 31.60 K .25 W 1.0 % RN55D-F10    | 1                 | R26   |
| 53   | 53   |                 | 1316254-00  | R NETWORK 7-470 2.0 % 8PIN       | 15                | Z1-Z15  |
| 54   | 54   |                 | 1316736-00  | 374.0 .25 W 1.0 % RN55D-F10      | 1                 | R35   |
| 55   | 55   |                 | 1316838-00  | 432.0 .25 W 1.0 % RN55D-F10      | 1                 | R34   |
| 56   | 56   |                 | 1316840-00  | 931.0 .25 W 1.0 % RN55D-F10      | 2                 | R63,R68   |
| 57   | 57   |                 | 1316841-00  | 2.05 K .25 W 1.0 % RN55D-F10     | 2                 | R62,R66   |
| 58   | 58   |                 | 1503029-00  | 2N 3640 PNP 200MW SI             | 2                 | Q1,Q2   |
| 59   | 59   |                 | 1509524-00  | 2N 3904 NPN 310MW SI 40 40 M     | 1                 | Q4  |
| 60   | 60   |                 | 1509525-00  | 2N 3906 PNP 310MW SI 40100 Y     | 1                 | Q3  |
| 61   | 61   |                 | 1513489-00  | 2N 4401 NPN 350MW SI 40 20       | 1                 | Q5  |
| 62   | 62   |                 | 1603358-00  | 12.0 UH 10% 300MA #DD12.0        | 1                 | L5  |
| 63   | 63   |                 | 1612946-03  | 5.6 UH 10% Q MIN=52@7.9MHZ       | 1                 | L6  |
| 64   | 64   |                 | 1616291-00  | DELAY= 25NS,10TAPS               | 2                 | E112,E114   |
| 65   | 65   |                 | 1616879-00  | INDUCTOR 1.12UH 1% 370MA         | 1                 | L1  |
| 66   | 66   |                 | 1812396-01  | XTAL 5.0688 MHZ                  | 1                 | Y1  |
| 67   | 67   |                 | 1905575-00  | 7400 NAND GATE-QUAD 2IN          | 2                 | E92,E93   |
| 68   | 68   |                 | 1909004-00  | DEC 7402 NOR GATE-QUAD 2IN       | 1                 | E20   |
| 69   | 69   |                 | 1910155-00  | DEC 7408 AND GATE,POS.QUAD 2I    | 2                 | E27,E83   |
| 70   | 70   |                 | 1910230-00  | 74121 ONE SHOT                   | 1                 | E58   |
| 71   | 71   |                 | 1910406-00  | 75451 DRIVER,PERIPH,DUAL,        | 1                 | E45   |
| 72   | 72   |                 | 1910436-00  | DEC 74123 ONE SHOT-DUAL,RETRIG   | 1                 | E95   |

|               |  |                    |                |      |      |                 |     |
|---------------|--|--------------------|----------------|------|------|-----------------|-----|
| D I G I T A L |  | TITLE              | SECTION A OF A | SIZE | CODE | DOCUMENT NUMBER | REV |
|               |  | R80 MICROPROCESSOR |                | K    | PL   | 5415284-0-DBP   | C   |

| LINE | ITEM | DOCUMENT NUMBER | PART NUMBER | DESCRIPTION                      | QTY | PER VARIATION | REFERENCE DESIGNATOR  |
|------|------|-----------------|-------------|----------------------------------|-----|---------------|---|
|      |      |                 |             |                                  | 01  |               |   |
| 73   | 73   |                 | 1910535-00  | 74S05 INVERTER GATE-HEX 1        | 1   |               | E69   |
| 74   | 74   |                 | 1910544-00  | 74S74 FF-D DUAL,EDGE TRIGG       | 3   |               | E9,E13,E94  |
| 75   | 75   |                 | 1911036-00  | 75453 DRIVER,PERIPH,DUAL,        | 1   |               | E57   |
| 76   | 76   |                 | 1911195-00  | 7497 MULTIPLIER,6BIT BINA        | 1   |               | E15   |
| 77   | 77   |                 | 1911324-00  | 7414 INVERTER,HEX 1IN SCH        | 7   |               | E3,E4,E11,E14,E30,E70,E74                                     |
| 78   | 78   |                 | 1911399-00  | 10102 NOR GATE,QUAD 2IN          | 4   |               | E97,E102,E109,E118  |
| 79   | 79   |                 | 1911401-00  | 10104 AND GATE,QUAD 2IN          | 4   |               | E88,E98,E111,E113   |
| 80   | 80   |                 | 1911402-00  | 10105 OR/NOR GATE,2-3-2          | 1   |               | E108  |
| 81   | 81   |                 | 1911403-00  | 10106 NOR GATE,4-3-3             | 5   |               | E86,E104,E115,E119,E120                                       |
| 82   | 82   |                 | 1911414-00  | 10124 TTL TO ECL TRNSLTR         | 3   |               | E78,E96,E103  |
| 83   | 83   |                 | 1911415-00  | 10125 ECL TO TTL TRNSLTR         | 1   |               | E89   |
| 84   | 84   |                 | 1911416-00  | 10131 DUAL D MSTR/SL.FF          | 11  |               | E85,E87,E100,E101,E105,E107,<br>CONT E110,E116,E117,E121,E122 |
| 85   | 85   |                 | 1912048-05  | 7812 VOLT REG,FIX +12V           | 1   |               | VR1   |
| 86   | 86   |                 | 1912799-00  | LS00 NAND-GATE-QUAD 2IN,P        | 5   |               | E26,E64,E67,E73,E79   |
| 87   | 87   |                 | 1912803-00  | LS04 INVERTER GATE,HEX           | 4   |               | E46,E50,E56,E80   |
| 88   | 88   |                 | 1912805-00  | LS08 AND GATE-QUAD 2IN,PO        | 2   |               | E51,E77   |
| 89   | 89   |                 | 1912808-00  | LS11 AND GATE-TRIPLE 3IN         | 1   |               | E8  |
| 90   | 90   |                 | 1912815-00  | LS30 NAND GATE-SINGLE 8IN        | 2   |               | E65,E68   |
| 91   | 91   |                 | 1912816-00  | LS32 OR GATE-QUAD 2IN,POS        | 5   |               | E47,E53,E55,E62,E81   |
| 92   | 92   |                 | 1912824-00  | LS74 FF-D DUAL,EDGE TRIGG        | 5   |               | E10,E16,E28,E44,E90   |
| 93   | 93   |                 | 1912829-00  | LS86 X-OR GATE-QUAD 2IN          | 1   |               | E91   |
| 94   | 94   |                 | 1912842-00  | LS138 DECODER-THREE INPUT,       | 11  |               | E2,E12,E17,E19,E48,E49,E60,E61,<br>CONT E63,E75,E76           |
| 95   | 95   |                 | 1912847-00  | LS157 MUX 1 OF 2(QUAD)           | 2   |               | E29,E54   |
| 96   | 96   |                 | 1912849-00  | LS161 COUNTER,SYNCHR,4BIT        | 5   |               | E21,E22-E25   |
| 97   | 97   |                 | 1912864-00  | LS279 LATCH,QUAD-S-R             | 1   |               | E59   |
| 98   | 98   |                 | 1913017-00  | 3046 XSISTOR ARRAY,3 ISOL        | 1   |               | E106  |
| 99   | 99   |                 | 1914517-01  | 7912 VOLT REG,FIX -12V           | 1   |               | VR2   |
| 100  | 100  |                 | 1915193-00  | LS244 DRIVER,LINE,OCTAL,T        | 1   |               | E32   |
| 101  | 101  |                 | 1915218-00  | LS245 TRANSCEIVER,BUS,OCT        | 2   |               | E18,E40   |
| 102  | 102  |                 | 1915219-00  | LS373 FF-D OCTAL-TRANSPARE       | 4   |               | E1,E41,E52,E66  |
| 103  | 103  |                 | 1916551-00  | 7905.2VOLT REG,FIX -5.2V         | 1   |               | VR3   |
| 104  | 104  |                 | 1916574-00  | 10114 RECEIVER,LINE,TRIPL        | 1   |               | E99   |
| 105  | 105  |                 | 2114963-00  | UP,8-BIT NMOS                    | 1   |               | E31   |
| 106  | 106  |                 | 2114964-00  | RAM 2048 MOSJ-STATIC             | 2   |               | E37,E38   |
| 107  | 107  |                 | 23063B9-00  | B9-02                            | 1   |               | E34   |
| 108  | 108  |                 | 23022B9-00  | B9-02                            | 1   |               | E35   |
| 109  | 109  |                 | 23023B9-00  | B9-02                            | 1   |               | E36   |
| 110  | 110  |                 | 23064B9-00  | B9-02                            | 1   |               | E39   |
| 111  | 111  |                 | 23299E2-00  | E2-04                            | 1   |               | E42   |
| 112  | 112  |                 | 3615710-00  | *** THIS ITEM IS NOT USED ***    | -   |               |   |
| 113  | 113  |                 | 9006556-00  | NUT,HEX 4-40X .264AF SS/N        | 3   |               |   |
| 114  | 114  |                 | 9006632-00  | WASHER,LOCK INTERNAL STEEL       | 3   |               |   |
| 115  | 115  |                 | 9008301-01  | SCREW,MACH PAN PHIL 4-           | 3   |               |   |
| 116  | 116  |                 | 9009185-00  | JUMPER, WIRE, INSULATED, BLACK B | 8   |               | W1,W2,W4-W6,W8-W10  |
| 117  | 117  |                 | 9009963-00  | PLUNGER, 1/4 DIA                 | 5   |               |   |
| 118  | 118  |                 | 9009966-00  | GROMMET,SNAP-IN POLYCARBONAT     | 5   |               |   |

|                               |                     |                |                 |                 |         |
|-------------------------------|---------------------|----------------|-----------------|-----------------|---------|
| ! D ! I ! G ! I ! T ! A ! L ! | TITLE               | SECTION A OF A | ! SIZE ! CODE ! | DOCUMENT NUMBER | ! REV ! |
|                               | RABO MICROPROCESSOR |                | ! K ! PL !      | 5415284-0-DBP   | ! C !   |



AUTOMATED BY PRTLST.3P(44)

P A R T S L I S T

SHEET A4 OF A4

| LINE | ITEM | DOCUMENT NUMBER | PART NUMBER | DESCRIPTION                | QTY PER VARIATION | REFERENCE DESIGNATOR |
|------|------|-----------------|-------------|----------------------------|-------------------|----------------------|
|      |      |                 |             |                            | 01                |                      |
| 119  | 119  |                 | 1215006-08  | SKT,IC 40PIN DIP TIN SOLD  | 4                 | XE34-XE36,XE39       |
| 120  | 120  |                 | 1215006-06  | SKT,IC 24PIN DIP TIN SOLD  | 2                 | XE33,XE42            |
| 121  | 121  |                 | 23369E2-00  | E2-04                      | 1                 | E33                  |
| 122  | 122  |                 | 1913220-00  | 10216 RECEIVER,TRIPLE LINE | 1                 | E84                  |

|   |   |   |   |   |   |   |                    |                |      |      |                 |     |
|---|---|---|---|---|---|---|--------------------|----------------|------|------|-----------------|-----|
| D | I | G | I | T | A | L | TITLE              | SECTION A OF A | SIZE | CODE | DOCUMENT NUMBER | REV |
|   |   |   |   |   |   |   | R80 MICROPROCESSOR |                | K    | PL   | 5415284-0-DBP   | C   |

8

1-0-52251-3 500

6

5

4

3

2

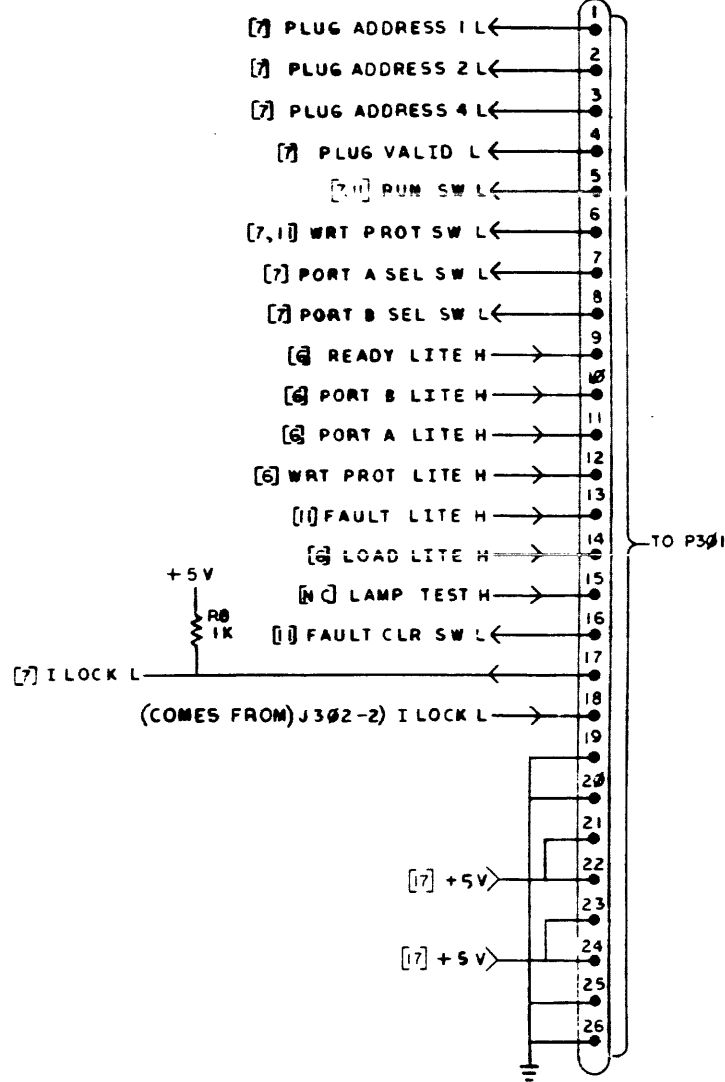
1

THIS DRAWING AND INFORMATION HEREON ARE THE PROPERTY OF THE UNITED STATES GOVERNMENT AND ARE TO BE USED IN ACCORDANCE WITH THE PROVISIONS OF TITLE 48, CHAPTER 36, FEDERAL ACQUISITION REGULATION (48 CFR) 36.101-6. THIS DRAWING IS NOT TO BE REPRODUCED OR TRANSMITTED IN ANY FORM OR BY ANY MEANS, ELECTRONIC OR MECHANICAL, INCLUDING PHOTOCOPYING, RECORDING, OR BY ANY INFORMATION STORAGE AND RETRIEVAL SYSTEM, WITHOUT PERMISSION IN WRITING FROM THE UNITED STATES GOVERNMENT.

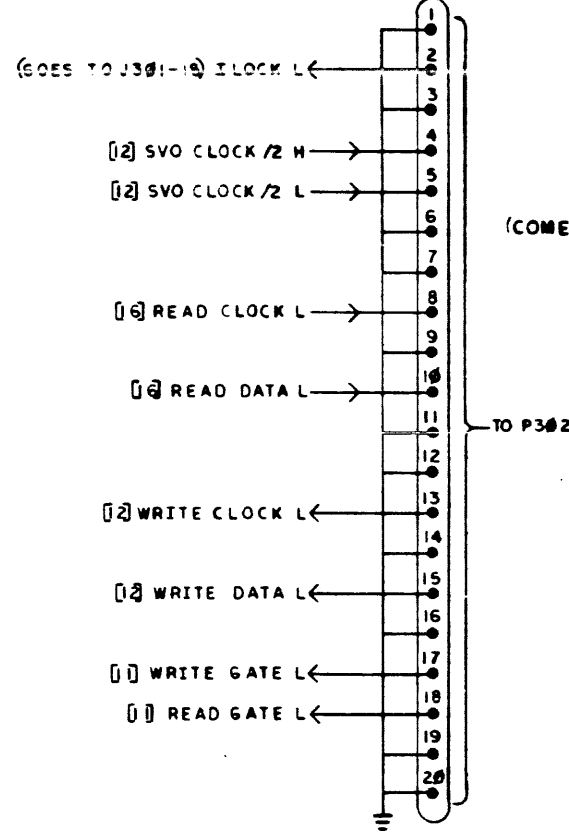
NOTES:

- UNLESS OTHERWISE SPECIFIED, ALL RESISTORS ARE 1/4 W, 5%. ALL RESISTOR VALUES ARE IN OHMS. ALL CAPACITOR VALUES ARE IN MICROFARADS.
- PIN NUMBERS IN PARENTHESES ( ) ARE REFERENCE ONLY.

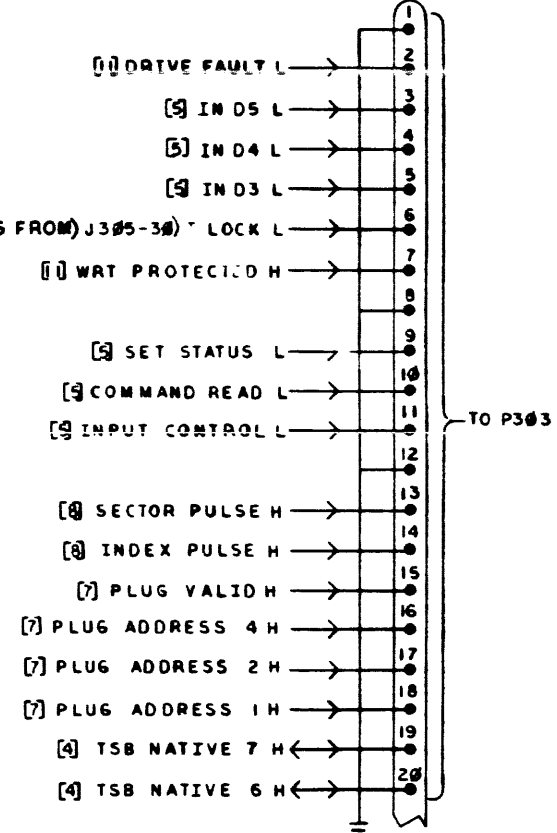
J301  
(DESTINATION IS FRONT PANEL J101)



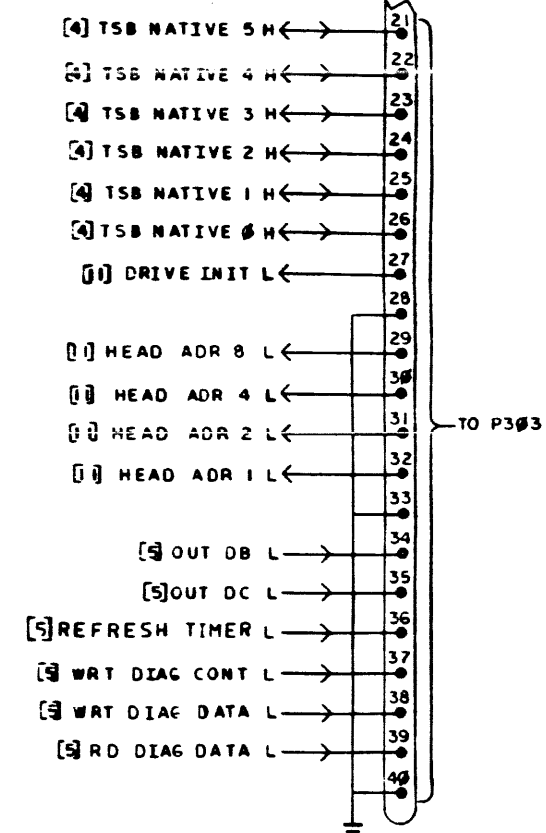
J302  
(DESTINATION IS PERSONALITY MODULE J203)



J303  
(DESTINATION IS PERSONALITY MODULE J204)



J303  
(CONT)



| DATE | BY   | REV |
|------|------|-----|
| 1967 | W.M. | 1   |
| 1967 | W.M. | 2   |
| 1967 | W.M. | 3   |
| 1967 | W.M. | 4   |
| 1967 | W.M. | 5   |
| 1967 | W.M. | 6   |
| 1967 | W.M. | 7   |
| 1967 | W.M. | 8   |

|                 |           |                  |              |
|-----------------|-----------|------------------|--------------|
| W.M.            | 18 Jun 79 | TITLE            | RA80 digital |
| W.M.            | 5 Aug 79  |                  | MICRO (UPI)  |
|                 |           |                  | PROCESSOR    |
| DOCUMENT NUMBER |           | DCS 5415234 01 C |              |
| 8-00-5415234-0  |           | 17               |              |

8

7

6

5

4

3

2

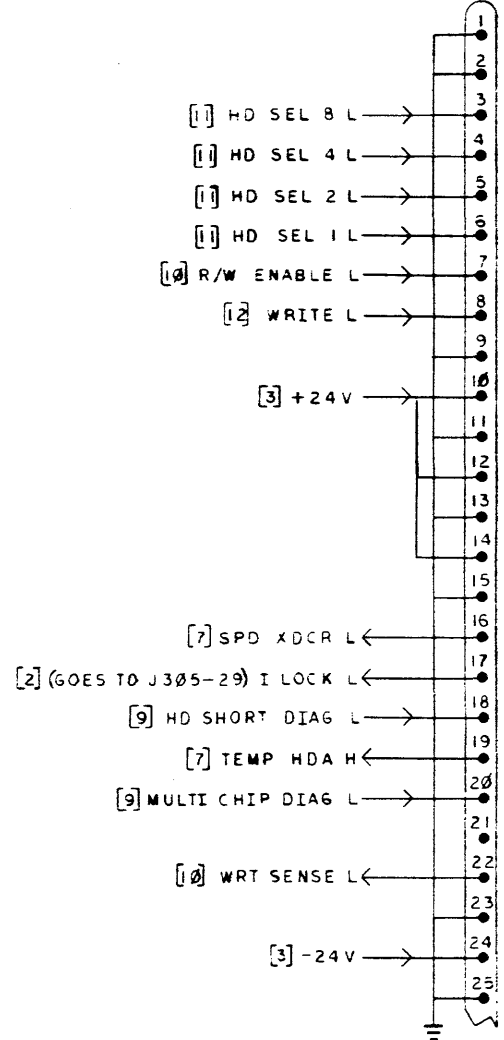
1

THIS DRAWING AND SPECIFICATIONS HEREIN ARE THE PROPERTY OF DIGITAL EQUIPMENT CORPORATION AND SHALL NOT BE REPRODUCED OR COPIED OR USED IN WHOLE OR IN PART AS THE BASIS FOR THE MANUFACTURE OR SALE OF THIS WITHOUT WRITTEN PERMISSION.  
 COPYRIGHT © 1982 DIGITAL EQUIPMENT CORPORATION

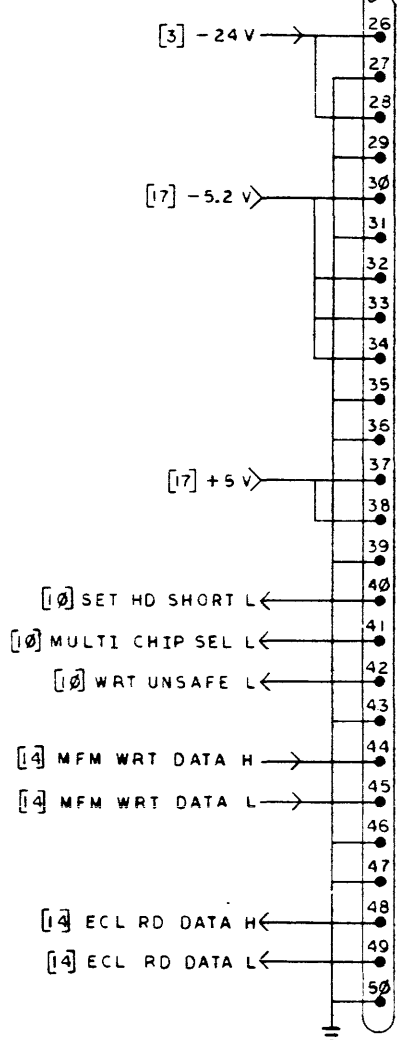
D  
C  
B  
A

D  
C  
B  
A

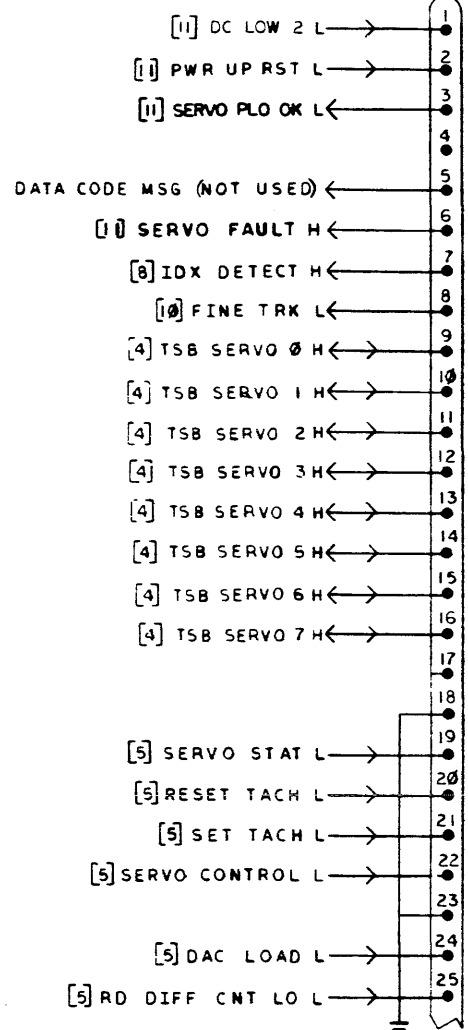
J304  
(DESTINATION IS R/W MODULE J502)



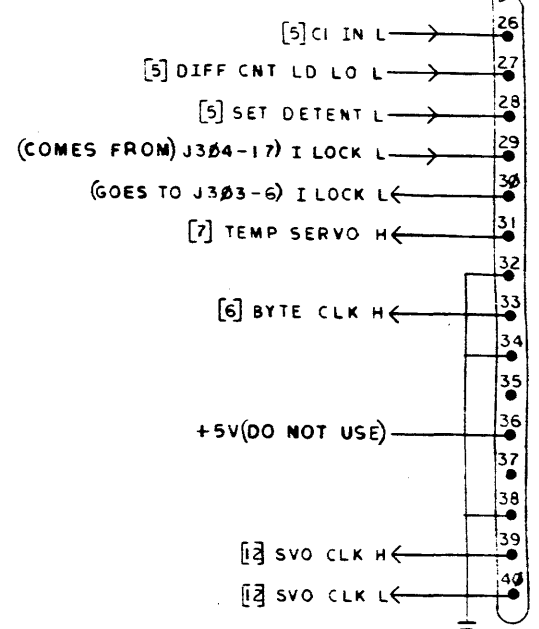
J304  
(CONT)



J305  
(DESTINATION IS SERVO MODULE J402)



J305  
(CONT)

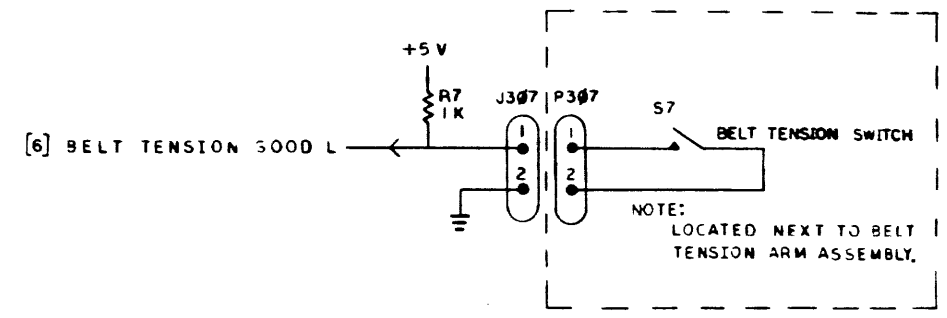
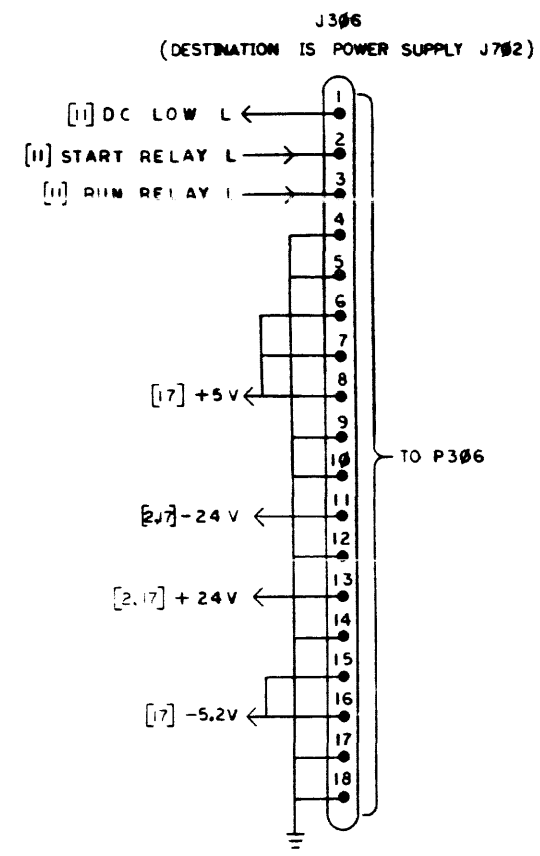


| REVISIONS |            |     |
|-----------|------------|-----|
| REV       | CHANGE NO. | REV |
|           |            |     |

5415284-0-1  
 DCS  
 17

THIS DRAWING AND SPECIFICATIONS HEREIN ARE THE PROPERTY OF GENERAL ELECTRIC COMPANY AND SHALL NOT BE REPRODUCED OR COPIED OR USED IN WHOLE OR IN PART AS THE BASIS FOR THE MANUFACTURE OF ANY OTHER EQUIPMENT WITHOUT PERMISSION. COPYRIGHT © 1982 GENERAL ELECTRIC COMPANY

F-0-4825145 2

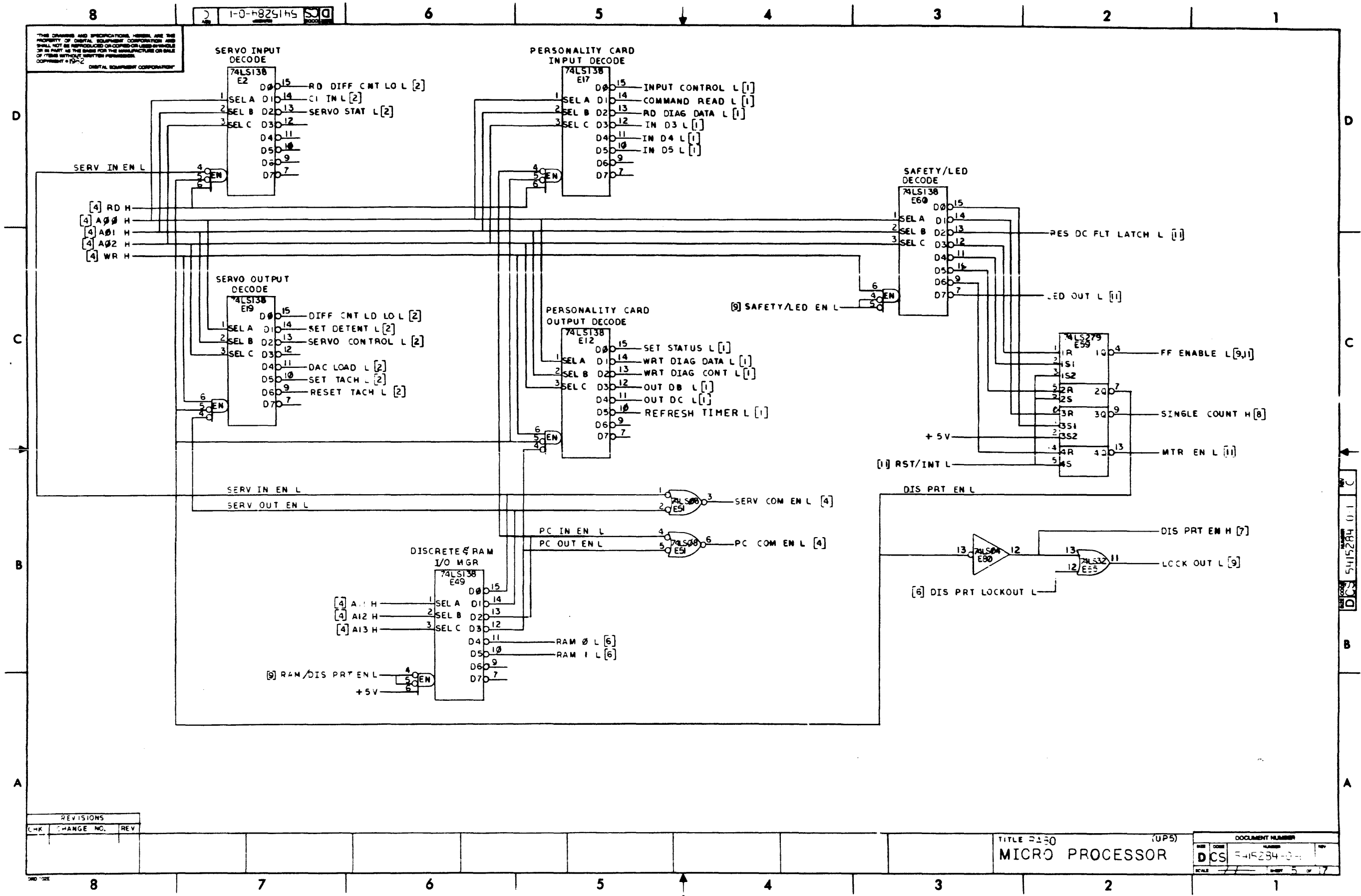


| REVISIONS |            |      |
|-----------|------------|------|
| CHK       | CHANGE NO. | REV. |
|           |            |      |



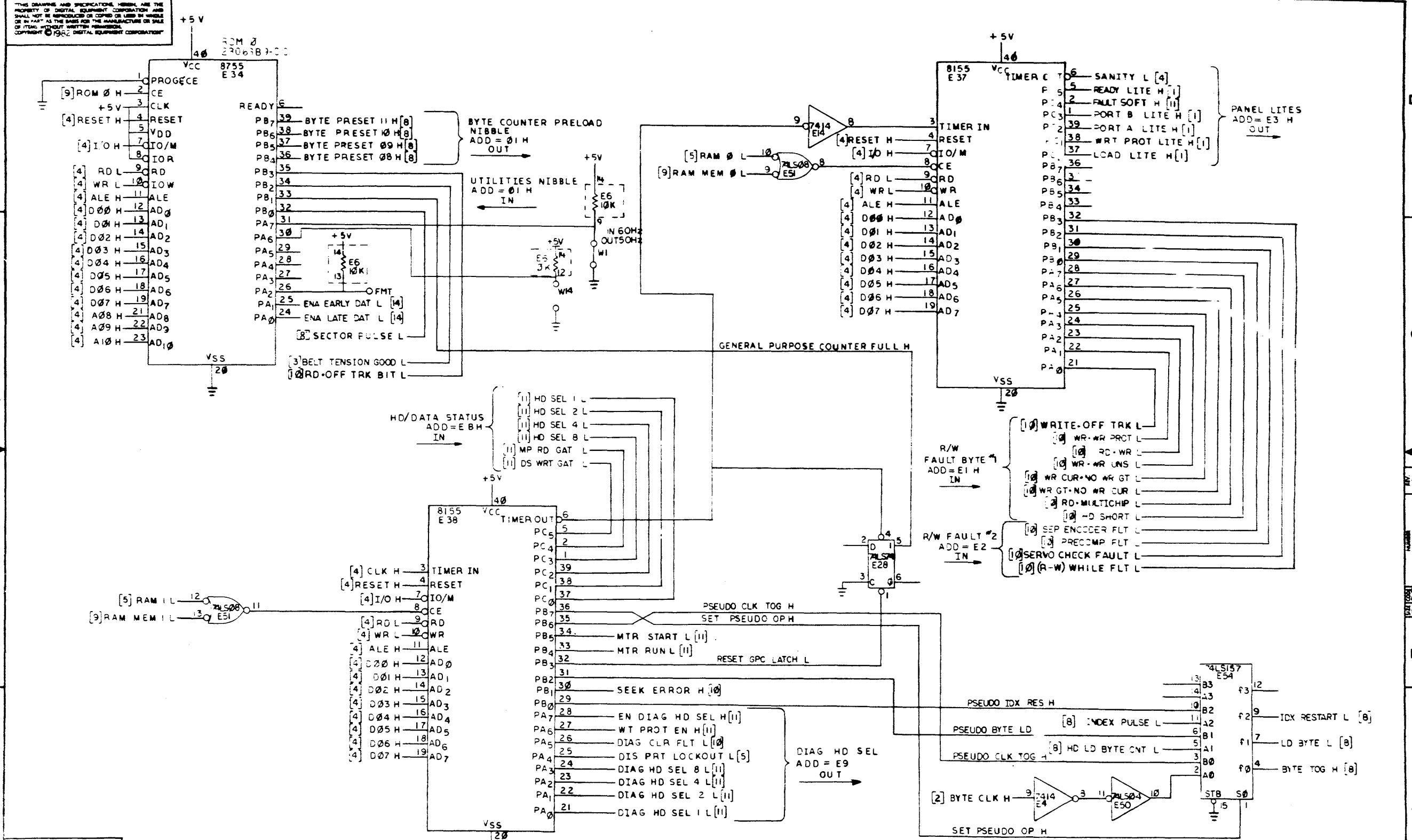
1-0-88251HS

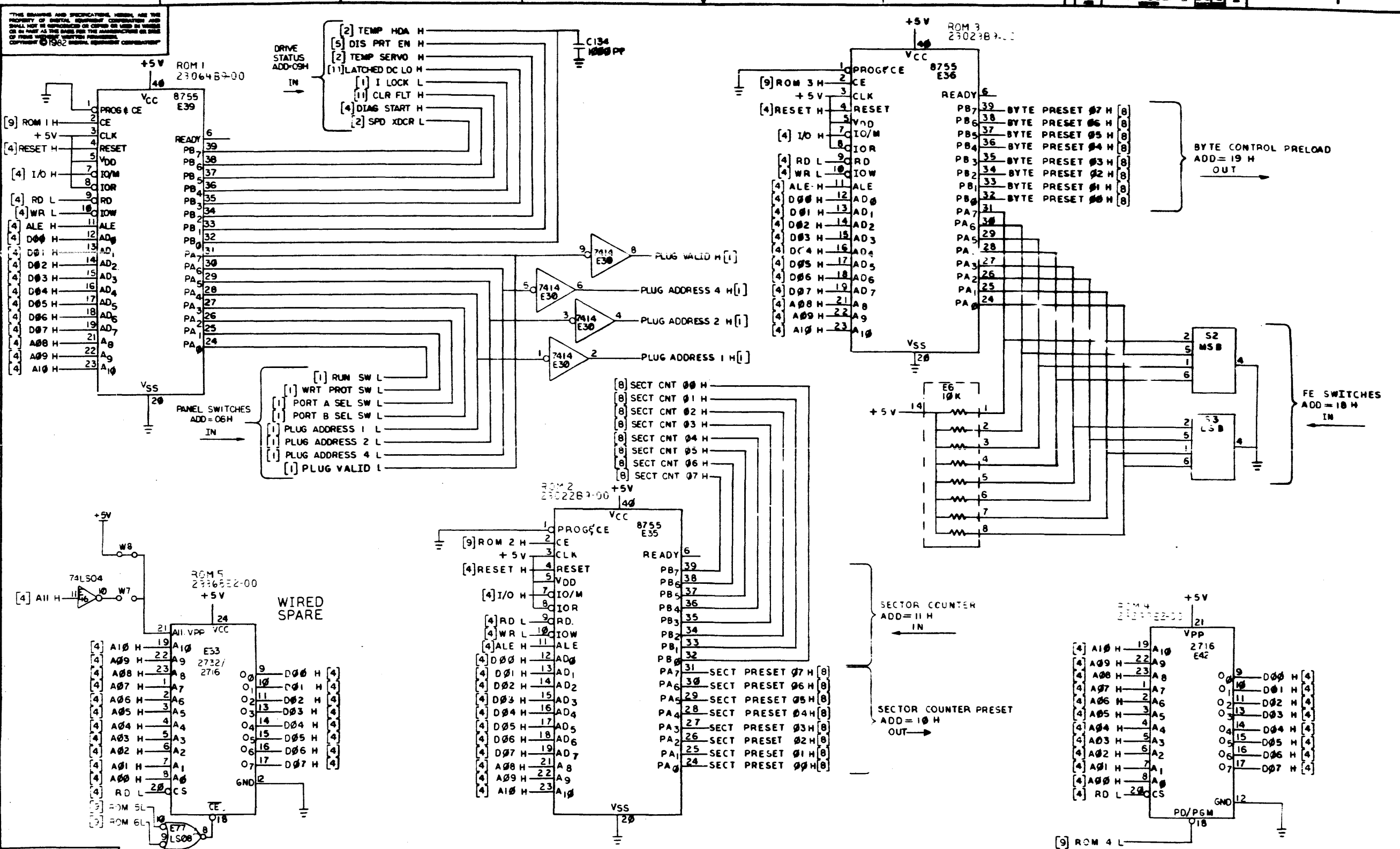
THIS DRAWING AND SPECIFICATIONS HEREIN ARE THE PROPERTY OF DIGITAL EQUIPMENT CORPORATION AND SHALL NOT BE REPRODUCED OR COPIED OR USED IN WHOLE OR IN PART AS THE BASIS FOR THE MANUFACTURE OR SALE OF ITEMS WITHOUT WRITTEN PERMISSION. COPYRIGHT © 1972 DIGITAL EQUIPMENT CORPORATION



| REVISIONS |            |     |
|-----------|------------|-----|
| CHK       | CHANGE NO. | REV |
|           |            |     |

TITLE PAGE (UPS)  
**MICRO PROCESSOR**  
 DOCUMENT NUMBER  
**DCS 5415284-01**  
 SCALE 1/1 SHEET 5 OF 17

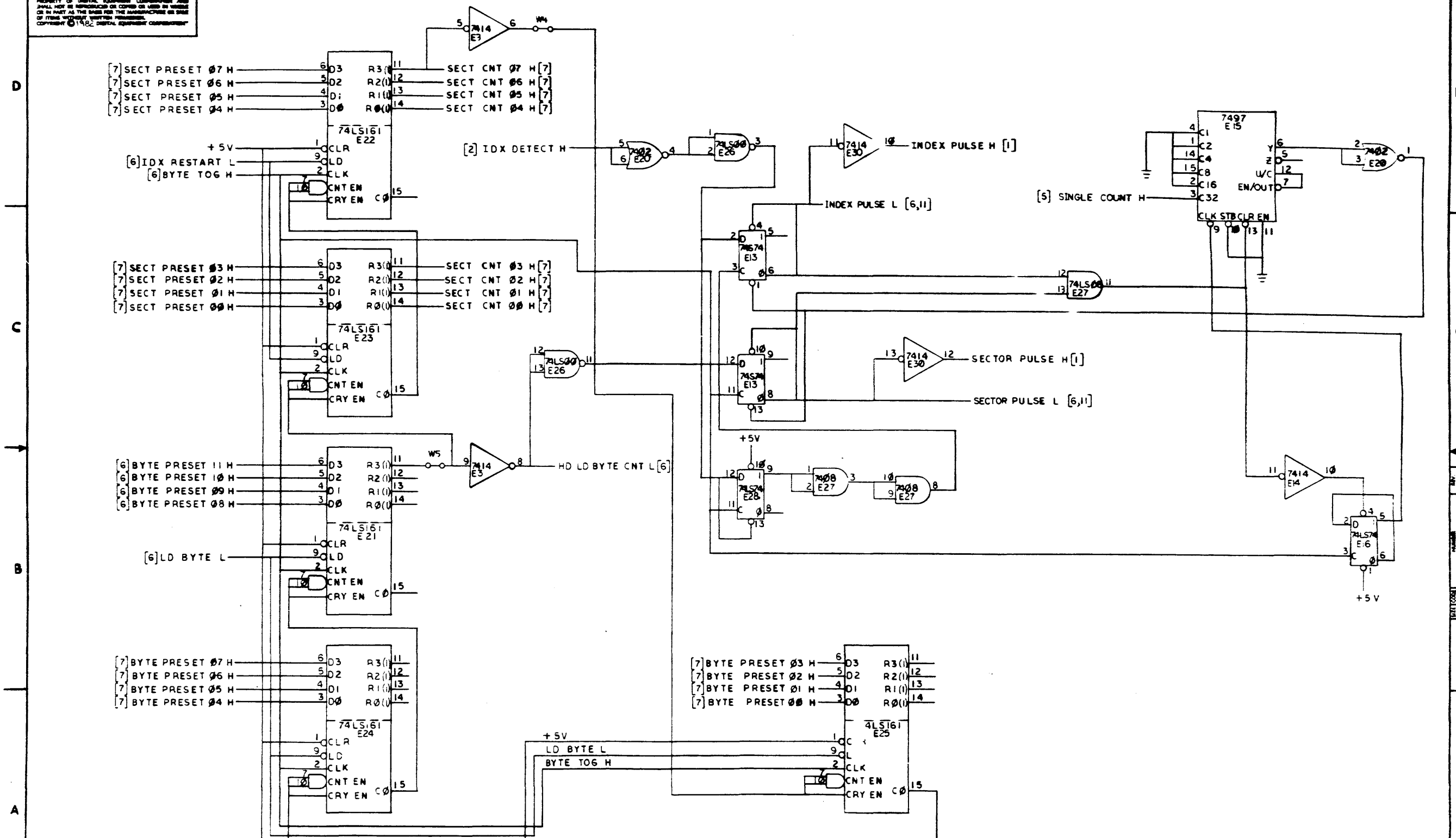




| REVISIONS |            |      |
|-----------|------------|------|
| CHK       | CHANGE NO. | REV. |
|           |            |      |



THIS DRAWING AND SPECIFICATIONS HEREIN ARE THE PROPERTY OF DIGITAL EQUIPMENT CORPORATION AND SHALL NOT BE REPRODUCED OR COPIED OR USED IN WHOLE OR IN PART AS THE BASIS FOR THE MANUFACTURE OR SALE OF ITEMS WITHOUT WRITTEN PERMISSION. COPYRIGHT © 1982 DIGITAL EQUIPMENT CORPORATION



| REVISIONS |           |      |
|-----------|-----------|------|
| CHK       | CHANGE NO | REV. |
|           |           |      |

8

1-0-H8251HS S2D

6

5

4

3

2

1

THE DRAWING AND SPECIFICATIONS HEREIN ARE THE PROPERTY OF DIGITAL EQUIPMENT CORPORATION AND SHALL NOT BE REPRODUCED OR COPIED OR USED IN WHOLE OR IN PART AS THE BASIS FOR THE MANUFACTURE OR SALE OF ITEMS WITHOUT WRITTEN PERMISSION. COMMENT: RQ2 DIGITAL EQUIPMENT CORPORATION.

D

D

C

C

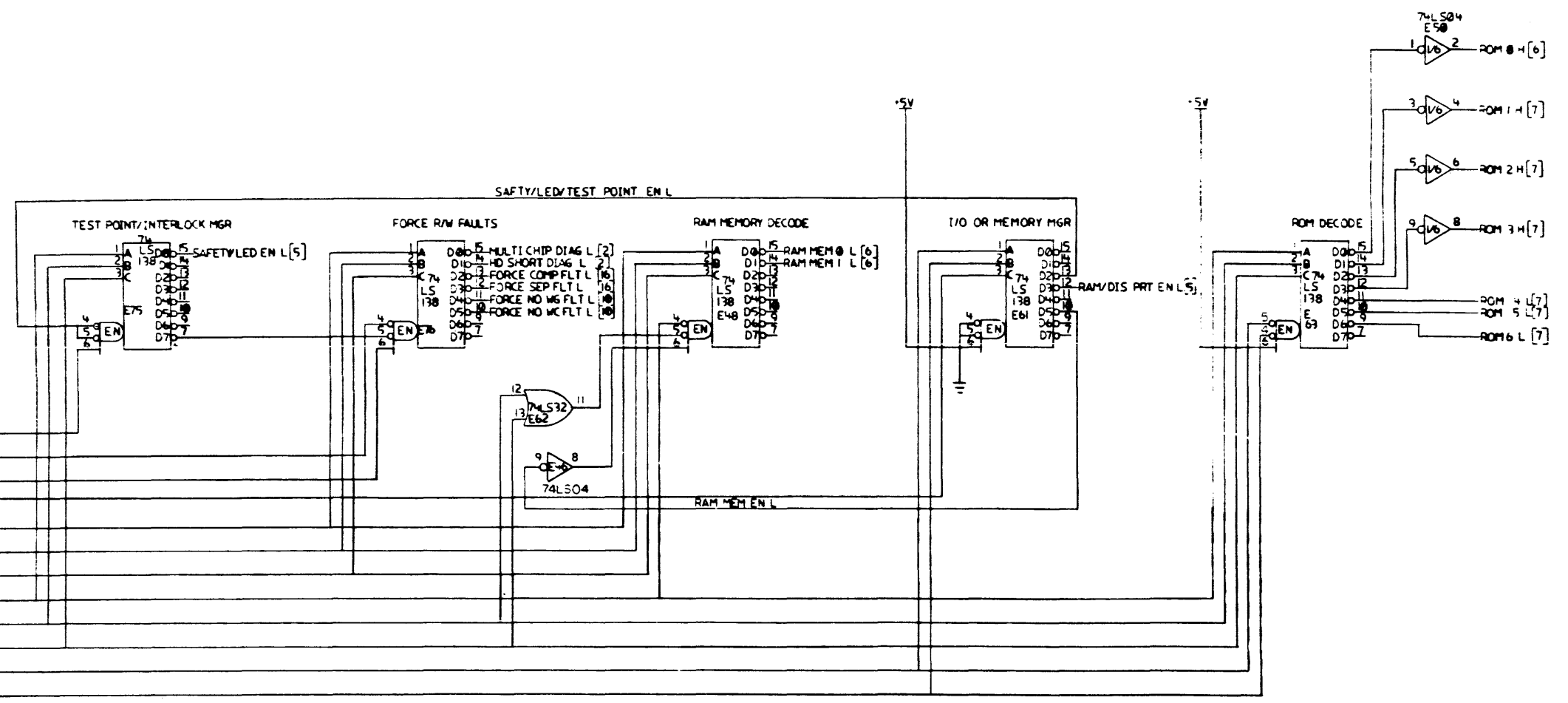
B

B

A

A

[5] LOCK OUT L  
 [5] FF ENABLE L  
 [4] WR H  
 [4] I/O L  
 A08 H  
 A09 H  
 A10 H  
 [4] A11 H  
 A12 H  
 A13 H  
 A14 H  
 A15 H



| REVISION HISTORY |            |     |
|------------------|------------|-----|
| DATE             | ECO NUMBER | REV |
|                  |            |     |
|                  |            |     |
|                  |            |     |
|                  |            |     |
|                  |            |     |
|                  |            |     |
|                  |            |     |

TITLE RA80 MICRO PROCESSOR

| DOCUMENT NUMBER |             |               |
|-----------------|-------------|---------------|
| SIZE            | CODE        | NUMBER        |
| DKS             | 5415284-3-1 | C             |
| SCALE           |             | SHEET 9 OF 17 |

8

7

6

5

4

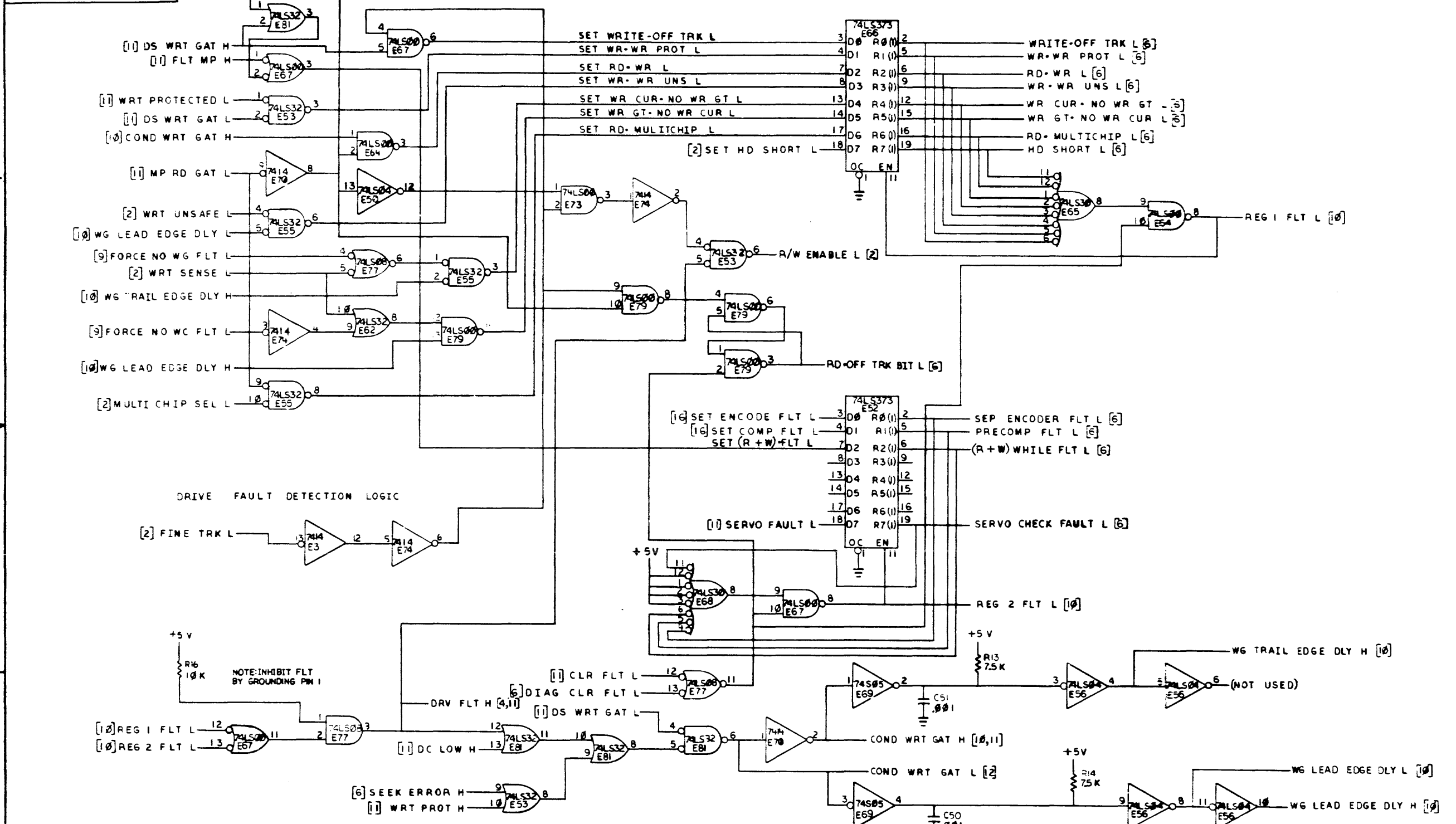
3

2

1

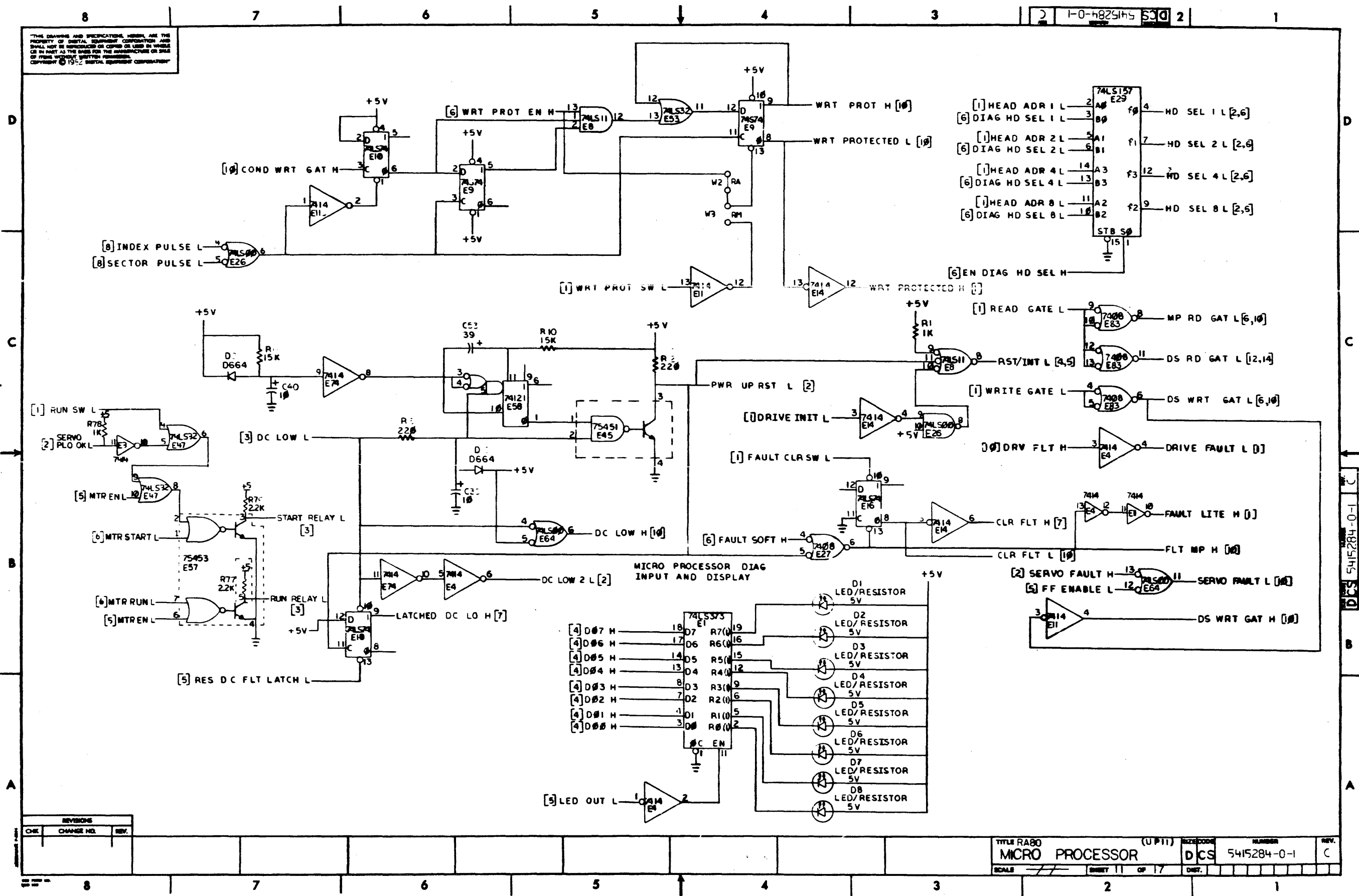
5415284 0 1 1 1

THIS DRAWING AND SPECIFICATIONS HEREIN ARE THE PROPERTY OF DIGITAL EQUIPMENT CORPORATION AND SHALL NOT BE REPRODUCED OR COPIED OR USED IN WHOLE OR IN PART AS THE BASIS FOR THE MANUFACTURE OR SALE OF ITEMS WITHOUT WRITTEN PERMISSION. COPYRIGHT © 1982 DIGITAL EQUIPMENT CORPORATION



| REVISIONS |            |      |
|-----------|------------|------|
| CHK       | CHANGE NO. | REV. |
|           |            |      |
|           |            |      |

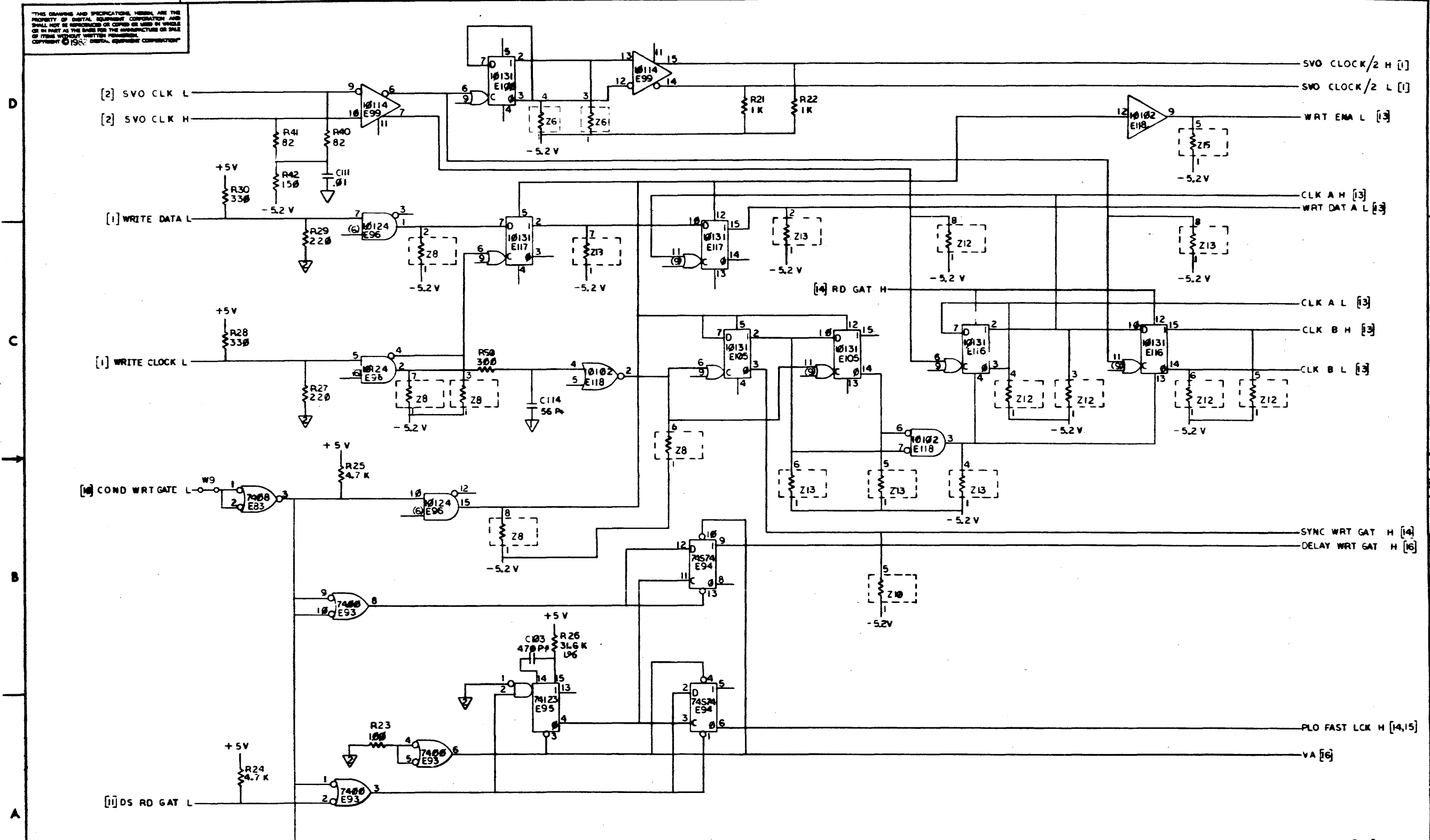
THIS DRAWING AND SPECIFICATIONS HEREIN ARE THE PROPERTY OF DIGITAL EQUIPMENT CORPORATION AND SHALL NOT BE REPRODUCED OR COPIED OR USED IN WHOLE OR IN PART AS THE BASIS FOR THE MANUFACTURE OR SALE OF PRODUCTS WITHOUT WRITTEN PERMISSION. COPYRIGHT © 1972 DIGITAL EQUIPMENT CORPORATION



| REVISIONS |            |      |
|-----------|------------|------|
| CHK.      | CHANGE NO. | REV. |
|           |            |      |

|                               |                |                  |                       |           |
|-------------------------------|----------------|------------------|-----------------------|-----------|
| TITLE RAB0<br>MICRO PROCESSOR | (UPT1)         | SIZE CODE<br>DCS | NUMBER<br>5415284-0-1 | REV.<br>C |
| SCALE                         | SHEET 11 OF 17 | DET.             |                       |           |

THIS DRAWING AND SPECIFICATIONS HEREIN ARE THE PROPERTY OF DIGITAL EQUIPMENT CORPORATION AND SHALL NOT BE REPRODUCED OR COPIED OR USED IN WHOLE OR IN PART AS THE BASIS FOR THE MANUFACTURE OR SALE OF ITEMS WITHOUT WRITTEN PERMISSION. COPYRIGHT © 1980, DIGITAL EQUIPMENT CORPORATION



| REVISIONS |            |      | DOCUMENT NUMBER |      |
|-----------|------------|------|-----------------|------|
| CHK.      | CHANGE NO. | REV. | NUMBER          | REV. |
|           |            |      | 5415284-0-1     | C    |

TITLE RA80 (UPI2) MICRO PROCESSOR DCS 5415284-0-1 SHEET 2 OF 17

8

1-0-h8251h5

6

5

4

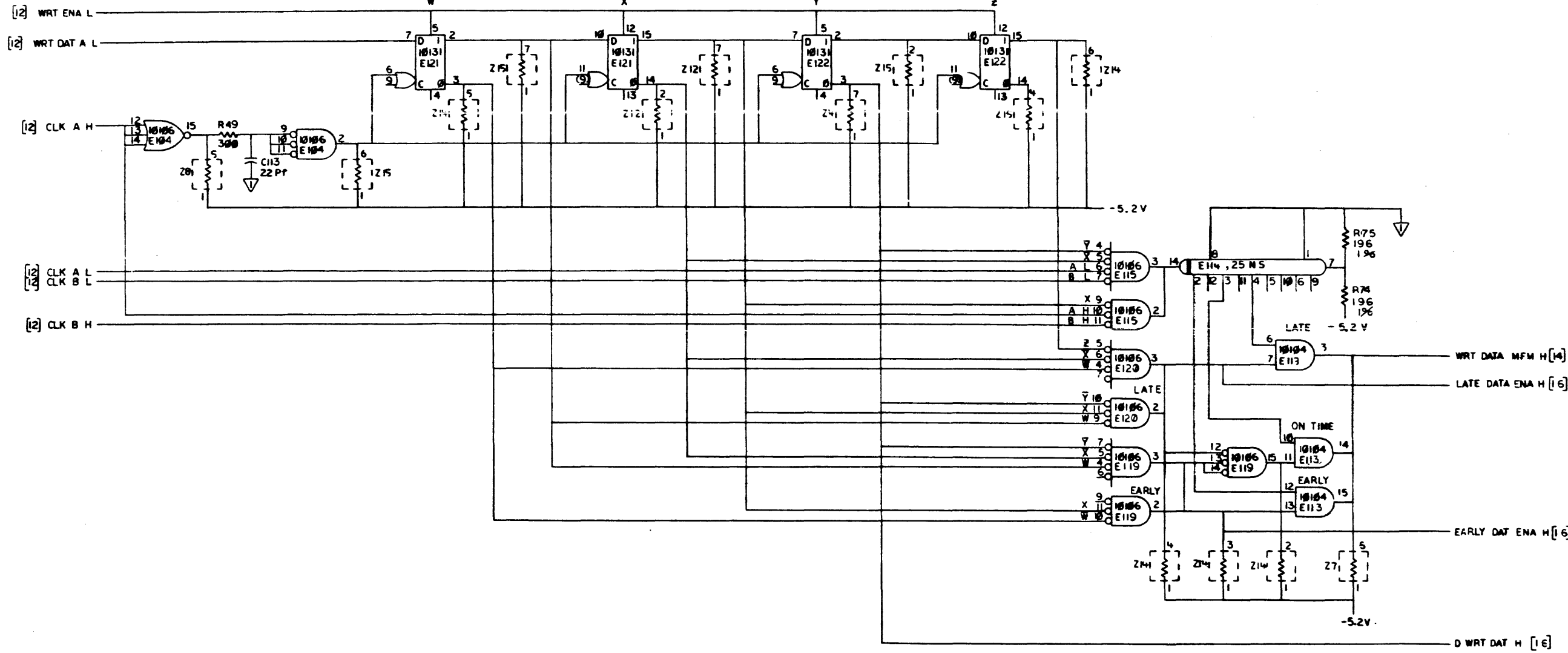
3

2

1

THIS DRAWING AND SPECIFICATIONS HEREIN ARE THE PROPERTY OF DIGITAL EQUIPMENT CORPORATION AND SHALL NOT BE REPRODUCED OR COPIED OR USED IN WHOLE OR IN PART AS THE BASIS FOR THE MANUFACTURE OR SALE OF ITEMS WITHOUT WRITTEN PERMISSION. COPYRIGHT © 1982 DIGITAL EQUIPMENT CORPORATION.

WRITE ENCODER



| REV | DESCRIPTION | DATE |
|-----|-------------|------|
|     |             |      |
|     |             |      |
|     |             |      |

|                 |  |                     |
|-----------------|--|---------------------|
| TITLE           |  | RA80 <b>digital</b> |
| MICRO PROCESSOR |  | (LP13)              |
| DOCUMENT NUMBER |  | DCS 5415284-0-1 C   |
| DATE            |  |                     |
|                 |  |                     |

8

7

6

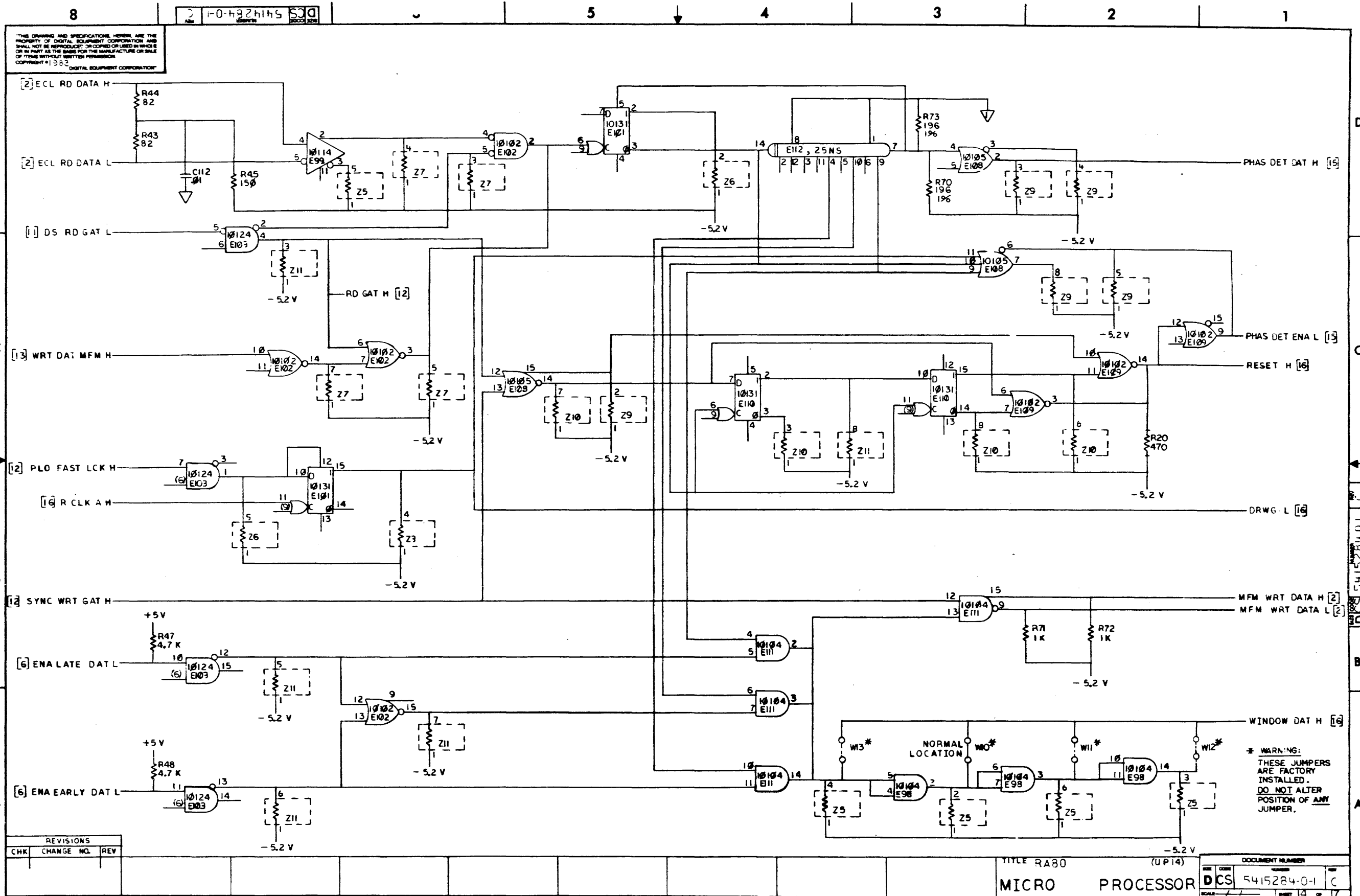
5

4

3

2

1



THIS DRAWING AND SPECIFICATIONS HEREIN ARE THE PROPERTY OF DIGITAL EQUIPMENT CORPORATION AND SHALL NOT BE REPRODUCED, COPIED OR USED IN WHOLE OR IN PART AS THE BASIS FOR THE MANUFACTURE OR SALE OF ITEMS WITHOUT WRITTEN PERMISSION. COPYRIGHT © 1982 DIGITAL EQUIPMENT CORPORATION

| REVISIONS |            |     |
|-----------|------------|-----|
| CHK       | CHANGE NO. | REV |
|           |            |     |
|           |            |     |

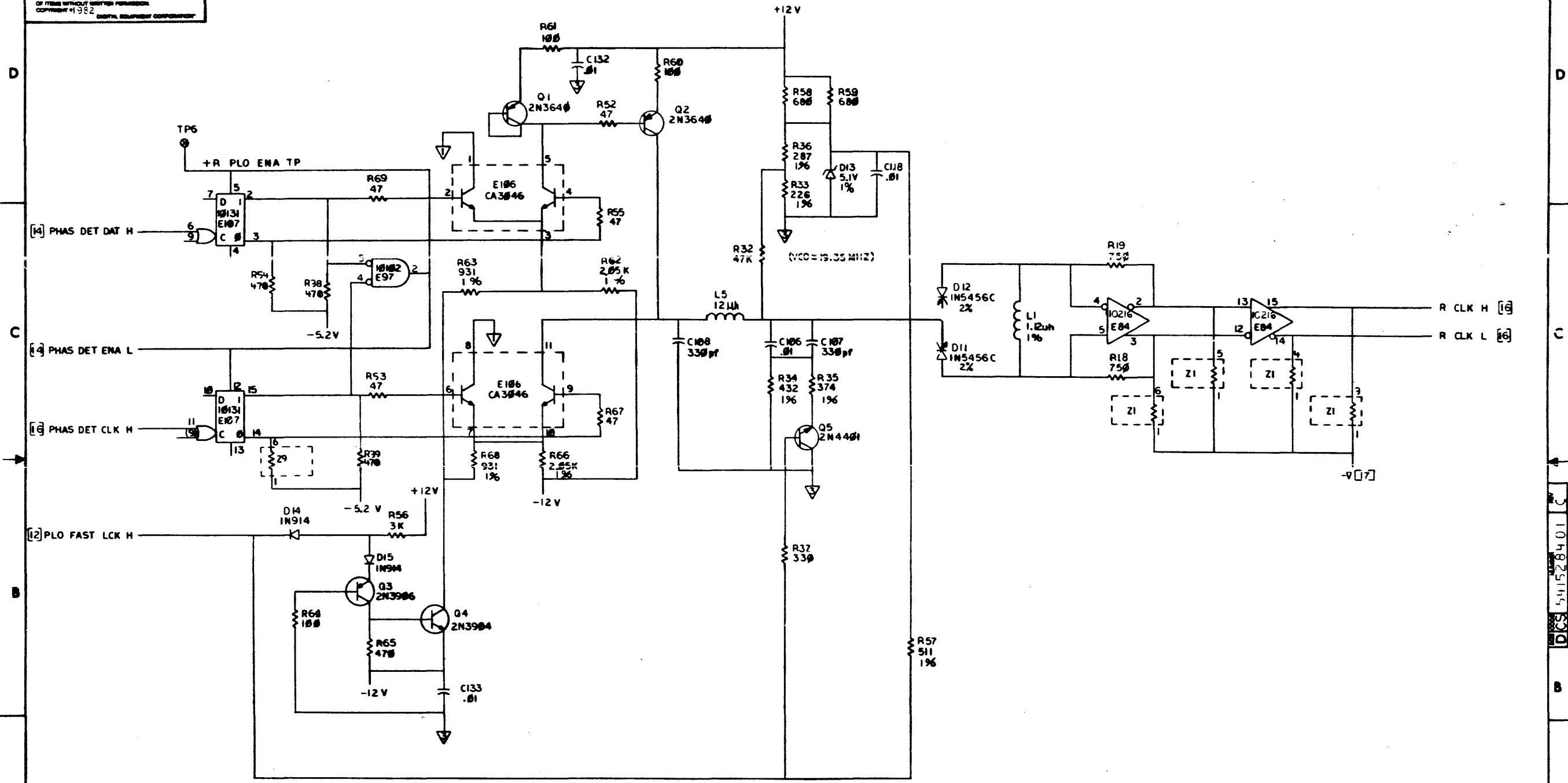
TITLE RAB0 (U P14)  
MICRO PROCESSOR

| DOCUMENT NUMBER |              |
|-----------------|--------------|
| DCS             | 5415284-01 C |
|                 |              |

5415284-01

\* WARNING: THESE JUMPERS ARE FACTORY INSTALLED. DO NOT ALTER POSITION OF ANY JUMPER.

THIS DRAWING AND SPECIFICATIONS HEREON ARE THE PROPERTY OF DIGITAL EQUIPMENT CORPORATION AND SHALL NOT BE REPRODUCED OR COPIED OR USED IN WHOLE OR IN PART AS THE BASIS FOR THE CONSTRUCTION OR SALE OF ITEMS WITHOUT WRITTEN PERMISSION. COPYRIGHT © 1982 DIGITAL EQUIPMENT CORPORATION



| REVISIONS |            |     |
|-----------|------------|-----|
| CHK       | CHANGE NO. | REV |
|           |            |     |

TITLE RA80 (UP15)  
MICRO PROCESSOR

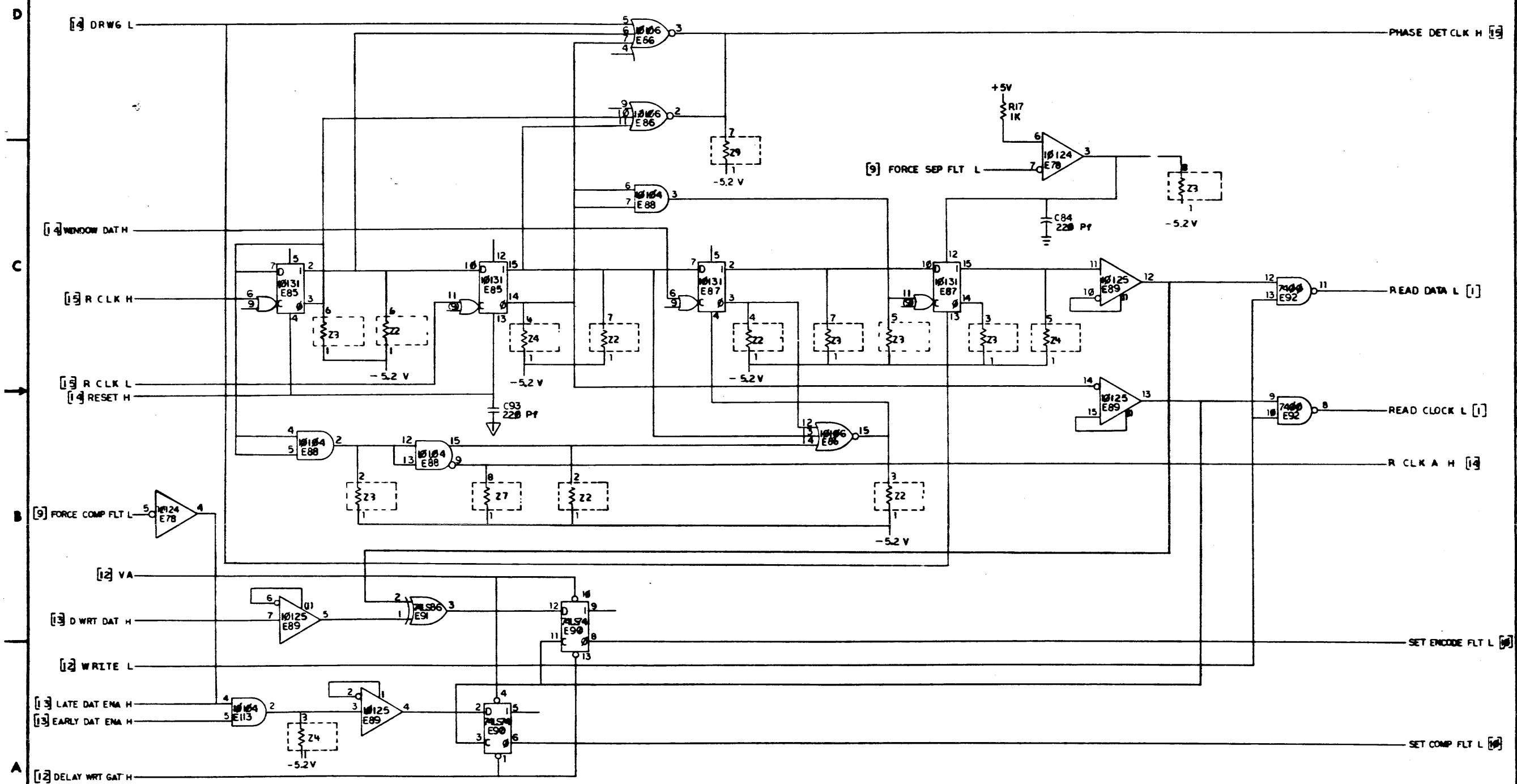
| DOCUMENT NUMBER |                |   |
|-----------------|----------------|---|
| D               | CS 5415284-0-1 | C |

DCS 5415284-0-1 C



THE DRAWING AND SPECIFICATIONS HEREIN ARE THE PROPERTY OF GENERAL ELECTRIC COMPANY AND SHALL NOT BE REPRODUCED OR USED IN WHOLE OR IN PART AS THE BASIS FOR THE MANUFACTURE OR SALE OF THIS EQUIPMENT WITHOUT WRITTEN PERMISSION. COPYRIGHT © 1982 GENERAL ELECTRIC COMPANY

1-0-4825149 S00 2

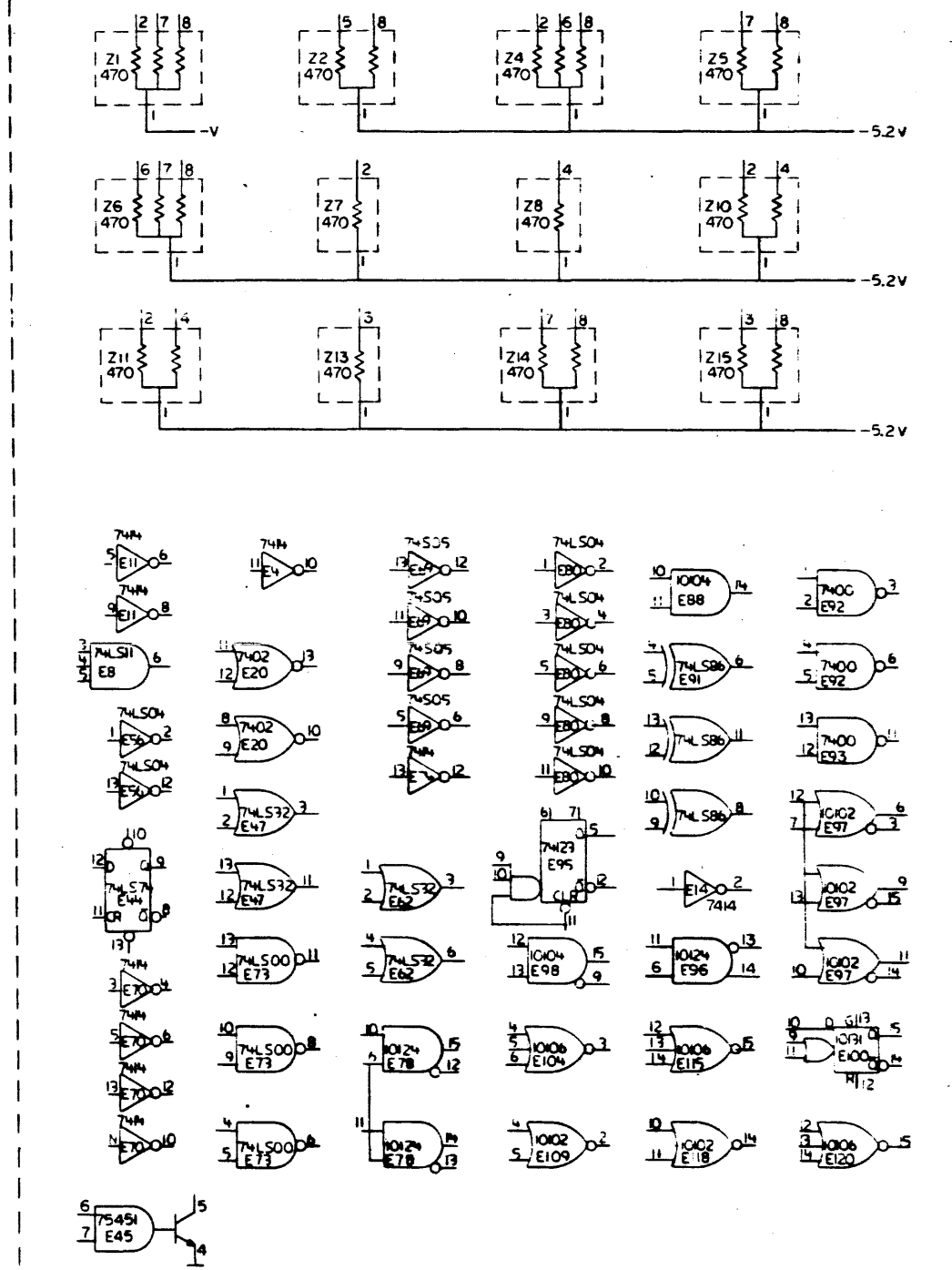
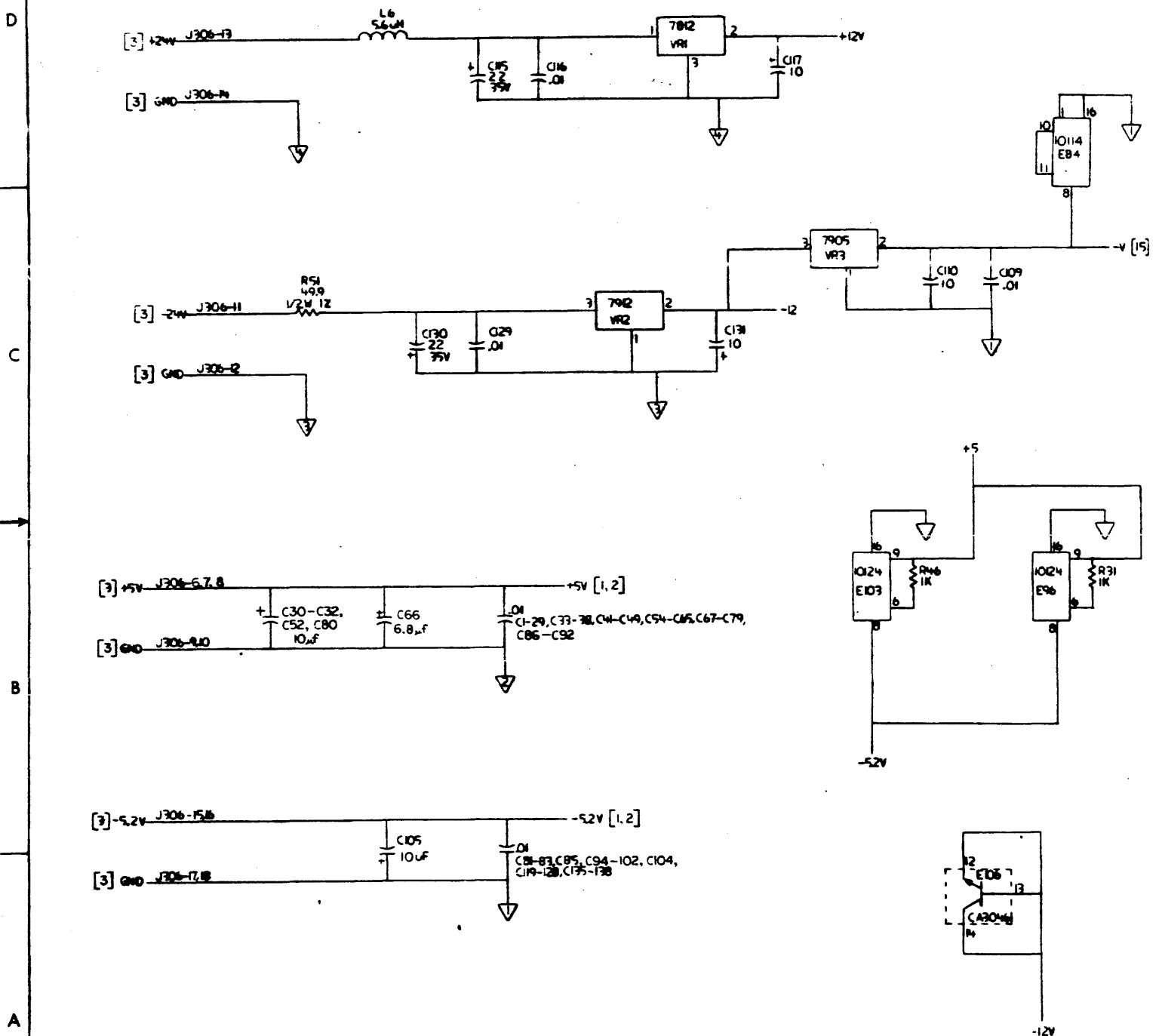


| CHK | CHANGE NO. | REV. |
|-----|------------|------|
|     |            |      |

TITLE RA30 (UPI 6) MICRO PROCESSOR DCS 5415284-0-1 C

THIS DRAWING AND SPECIFICATIONS HEREIN ARE THE PROPERTY OF DIGITAL EQUIPMENT CORPORATION AND SHALL NOT BE REPRODUCED OR COPIED OR USED IN WHOLE OR IN PART AS THE BASIS FOR THE MANUFACTURE OR SALE OF ANY PRODUCT WITHOUT WRITTEN PERMISSION FROM DIGITAL EQUIPMENT CORPORATION.

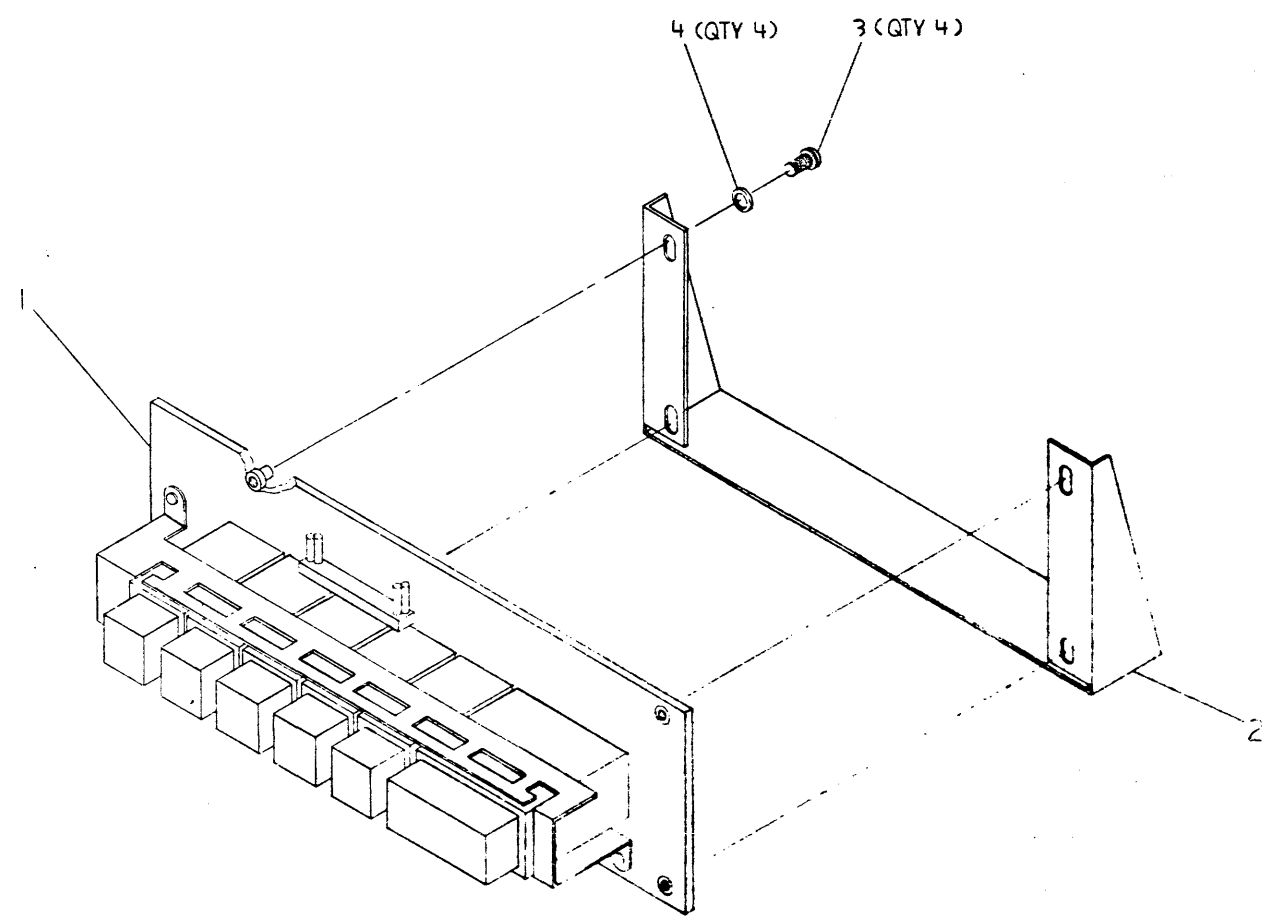
SPARES



| REVISIONS |            |     |
|-----------|------------|-----|
| CHK       | CHANGE NO. | REV |
|           |            |     |

THIS DRAWING AND SPECIFICATIONS HEREIN ARE THE PROPERTY OF DIGITAL EQUIPMENT CORPORATION AND SHALL NOT BE REPRODUCED OR COPIED OR USED IN WHOLE OR IN PART AS THE BASIS FOR THE MANUFACTURE OR SALE OF ITEMS WITHOUT WRITTEN PERMISSION.  
 COPYRIGHT © 1980, DIGITAL EQUIPMENT CORPORATION

DAD 7018324-0-0  
 DRAWING NUMBER



CAUTION: OFF-SHEET PARTS LIST EXISTS. SEE K-PL-7018324-0-DBP (Z1743).

| DATE | ECO NUMBER | REV |
|------|------------|-----|
|      |            |     |

RELEASED TO ECO CONTROL PER PCD RAB6-044

| DESCRIPTION  | DRAWING NO.     | PART NO.                              | ITEM NO.        |                 |                  |                   |                   |
|--|-----------------|---------------------------------------|-----------------|-----------------|------------------|-------------------|-------------------|
| UNLESS OTHERWISE SPECIFIED DIMENSIONS ARE IN INCHES AND THE FOLLOWING TOLERANCES APPLY (PER DEC STD 114) |                 |                                       |                 |                 |                  |                   |                   |
| INCHES TOLERANCES<br>X = ± .1<br>XX = ± .02<br>XXX = ± .005  | ANGLES ± 0° 30' | DIMENSION RANGE IN INCHES             |                 |                 |                  |                   |                   |
|  |                 | OVER 0 TO 0.2                         | OVER 0.2 TO 1.2 | OVER 1.2 TO 4.0 | OVER 4.0 TO 12.0 | OVER 12.0 TO 40.0 | OVER 40.0 TO 60.0 |
| SURFACE QUALITY  |                 | ± .02                                 | ± .02           | ± .05           | ± .10            | ± .10             | ± .10             |
| MICROINCHES  |                 | ± .004                                | ± .008          | ± .012          | ± .016           | ± .024            | ± .04             |
| THIRD ANGLE PROJECTION   | DATE 15 SEPT 80 | TITLE OPERATOR CONTROL PANEL ASSEMBLY |                 | digital         |                  |                   |                   |
| DO NOT SCALE DRAWING   | DATE 27 SEPT 81 | REMOVE BURRS AND BREAK SHARP CORNERS  |                 | DOCUMENT NUMBER |                  |                   |                   |
| MATERIAL SEE PARTS LIST  | DATE 22 SEPT 81 | FINISH                                |                 | DAD 7018324-0-0 |                  |                   |                   |
|  | DATE 22 SEPT 81 | NEXT HIGHER DOC. D-AD-7018330-0-0     |                 | SCALE: 1 OF 1   |                  |                   |                   |

| LINE | ITEM | DOCUMENT NUMBER  | PART NUMBER | DESCRIPTION                      | QUANTITY PER VARIATION |
|------|------|------------------|-------------|----------------------------------|------------------------|
| 1    | 1    |                  | 5414927-00  | OPERATOR CONTROL PANEL           | 1                      |
| 2    | 2    | C-MD-7422814-0-0 | 7422814-00  | BRKT, CONTROL PANEL              | 1                      |
| 3    | 3    |                  | 9009546-00  | SCREW,PAN,PHIL,SEMS 4-40X .375L  | 4                      |
| 4    | 4    |                  | 9006655-00  | WASHER, FLAT, .312 O.D. X .125 I | 4                      |

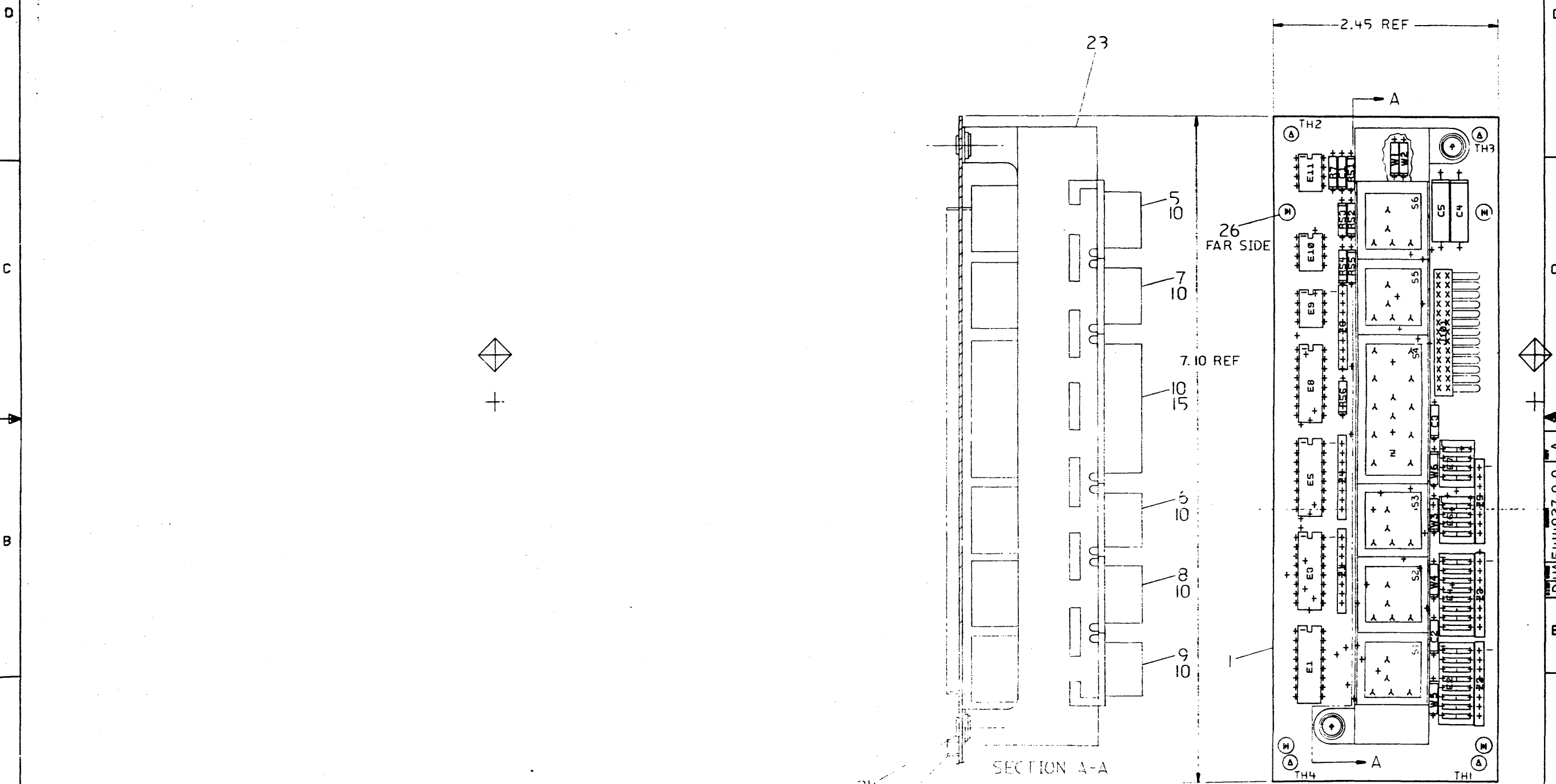
| REVISION HISTORY |            | BASIC PART NO: 7018324 |                                    | DRN:                                 | DATE:                | DIGITAL                     |            |   |  |  |
|------------------|------------|------------------------|------------------------------------|--------------------------------------|----------------------|-----------------------------|------------|---|--|--|
| ENG              | ECO NUMBER | REV                    | SECTION A OF A                     | CHN'D:                               | DATE:                | TITLE                       | PARTS LIST |   |  |  |
| ---              | INITIAL    | A                      | SECTION, VARIATION INDEX<br>[A] 00 | W. MAJOR                             | 22 SEP 81            | OPERATOR CONTROL PANEL ASSY |            |   |  |  |
|                  |            |                        | [B]                                | DES.ENG.: G. NORDBERG                | 22 SEP 81            |                             |            |   |  |  |
|                  |            |                        | [C]                                | RESP.ENG.: <del>W. MAJOR</del>       | 22 SEP 81            | DOCUMENT NUMBER             |            |   |  |  |
|                  |            |                        | [D]                                |                                      |                      | SIZE CODE NUMBER            | REV        |   |  |  |
|                  |            |                        | [E]                                | MFG.ENG.: B. BASSETT                 | 22 SEP 81            | K PL 7018324-0-DBP          | A          |   |  |  |
|                  |            |                        | [F]                                | ASSEMBLY NUMBER:<br>D-AD-7018324-0-0 | TOP DOCUMENT NUMBER: | FILE NAME:<br>Z1743A.PLS    | EDIT #     | 6 |  |  |

\*THIS DRAWING AND SPECIFICATIONS HEREIN, ARE THE PROPERTY OF DIGITAL EQUIPMENT CORPORATION AND SHALL NOT BE REPRODUCED OR COPIED OR USED IN WHOLE OR IN PART AS THE BASIS FOR THE MANUFACTURE OR SALE OF ITEMS WITHOUT WRITTEN PERMISSION. COPYRIGHT (C) 1981, DIGITAL EQUIPMENT CORPORATION \*

THIS DRAWING AND SPECIFICATIONS, GENERAL AND THE  
 RESPONSIBILITY OF THE DESIGN, CONSTRUCTION AND SHALL  
 NOT BE APPLICABLE IN CASES OF USE IN WAYS OR IN  
 PARTS OF THE DRAWING FOR THE PURPOSES OF THE  
 STATE OF TEXAS. THE DRAWING SHALL BE VALID IN  
 ALL OTHER STATES. DATE: 08/19/68

8 7 6 5 4 3 2 1

COMPONENT SIDE VIEW



NOTES: 2VL97

|        |        |      |       |
|--------|--------|------|-------|
| STEP   | Y AXIS | STEP | TIMES |
| REPEAT | X AXIS | STEP | TIMES |

|                   |     |
|-------------------|-----|
| CHG NO            | REV |
|                   | A   |
| REASON FOR CHANGE |     |
| BY                |     |
| DATE              |     |

|           |  |
|-----------|--|
| ETCH REV. |  |
|-----------|--|

|                                  |          |                  |
|----------------------------------|----------|------------------|
| SIGNATURES                       | DATE     | digital          |
| DRN. <i>D. Swift</i>             | 1/1/68   |                  |
| CHK'D. <i>D. Swift</i>           | 1/1/68   |                  |
| MECH. ENG. <i>D. Swift</i>       | 1/1/68   | TITLE R480 OPER  |
| PROJ. ENG. <i>D. Swift</i>       | 1/1/68   | CNTRL PANEL      |
| PROD. D. SWIFT                   | 8 JUN 68 | SIZE CODE NUMBER |
| SCALE 2/1                        |          | D JA 5414927-0-0 |
| SHT. 1 OF 1                      |          | REV              |
| NEXT HIGHER ASSY. B-DD-5414927-0 |          | A                |

8 7 6 5 4 3 2 1 WO#290044C

| LINE | ITEM | DOCUMENT NUMBER  | PART NUMBER | DESCRIPTION                      | QTY PER VARIATION | REFERENCE DESIGNATOR    |
|------|------|------------------|-------------|----------------------------------|-------------------|-------------------------|
|      |      |                  |             |                                  | 00                |                         |
| 1    | 1    | D-MD-5014926-0-0 | 5014926-00  | DRILL & ETCH BOARD               | 1                 |                         |
| 2    | 2    |                  | 1004813-00  | 10 MFD 20V 10% S.TANT            | 2                 | C4,C5                   |
| 3    | 3    |                  | 1012784-00  | .047 MFD 50V +80-20% CER         | 3                 | C1,C2,C3                |
| 4    | 4    |                  | 1211164-00  | SW,DIP 4POS/1PST 5VDC100%A F     | 1                 | E7                      |
| 5    | 5    |                  | 1212714-00  | CAP,PB SW YELLO/BLK "RUN ST      | 1                 | X6                      |
| 6    | 6    |                  | 1212714-01  | CAP,PB SW YELLO/BLK "WRITE       | 1                 | X3                      |
| 7    | 7    |                  | 1212714-02  | CAP,PB SW RED/BLK "FAULT"        | 1                 | X5                      |
| 8    | 8    |                  | 1212714-03  | CAP,PB SW WHITE/BLK "A"          | 1                 | X2                      |
| 9    | 9    |                  | 1212714-04  | CAP,PB SW WHITE/BLK "B"          | 1                 | X1                      |
| 10   | 10   |                  | 1212716-00  | LAMP,WEDGE,6.3V,.2A,.4MSCP,TI-3/ | 6                 | I1,I2,I3,I4,I5,I6       |
| 11   | 11   |                  | 1212717-01  | SW,PJ 1PDT ALT 2A                | 4                 | S1,S2,S3,S6             |
| 12   | 12   |                  | 1212717-06  | SW,PB,LT 1PDT MDM 2A             | 1                 | S5                      |
| 13   | 13   |                  | 1212965-03  | PCP,HEADER 26PIN(2X13).100CC 90D | 1                 | J101                    |
| 14   | 14   |                  | 1218198-00  | SW,ENCODER 256 CODES 10M         | 1                 | S4                      |
| 15   | 15   |                  | 1218199-01  | /REPLACED BY 12-18199-00         | 1                 | X4                      |
| 16   | 16   |                  | 1218231-07  | SHUNT,DIP 8POS                   | 2                 | E2,E4                   |
| 17   | 17   |                  | 1218231-03  | SHUNT,DIP 4POS                   | 1                 | E6                      |
| 18   | 18   |                  | 1300229-00  | 100.0 .25 W 5.0 % CF             | 1                 | R7                      |
| 19   | 19   |                  | 1300365-00  | 1.0 K .25 W 5.0 % CF             | 6                 | R51,R52,R53,R54,R55,R56 |
| 20   | 20   |                  | 1316254-02  | R NETWORK 7-1.0K 2.0 % 8PIN      | 6                 | Z1,Z2,Z3,Z4,Z5,Z6       |
| 21   | 21   |                  | 1912844-00  | LS151 MUX 1 OF 8 & DATA          | 4                 | E1,E3,E5,E8             |
| 22   | 22   |                  | 1914432-00  | 75454 DRIVER,PERIPH,DUAL,        | 3                 | E9,E10,E11              |
| 23   | 23   | D-MD-7425953-0-0 | 7425953-01  | BRACKET,SWITCH RETAINER          | 1                 |                         |
| 24   | 24   |                  | 9006655-00  | WASHER,FLAT SST                  | 2                 |                         |
| 25   | 25   |                  | 9006732-00  | EYELET,ROLLED 0.1210DX0.219      | 2                 |                         |
| 26   | 26   |                  | 9009113-01  | STANDOFF,PC BOARD MOUNTED 4-40   | 4                 |                         |
| 27   | 27   |                  | 9009185-00  | JUMPER,WIRE, INSULATED, BLACK 8  | 6                 | W1,W2,W3,W4,W5,W6       |

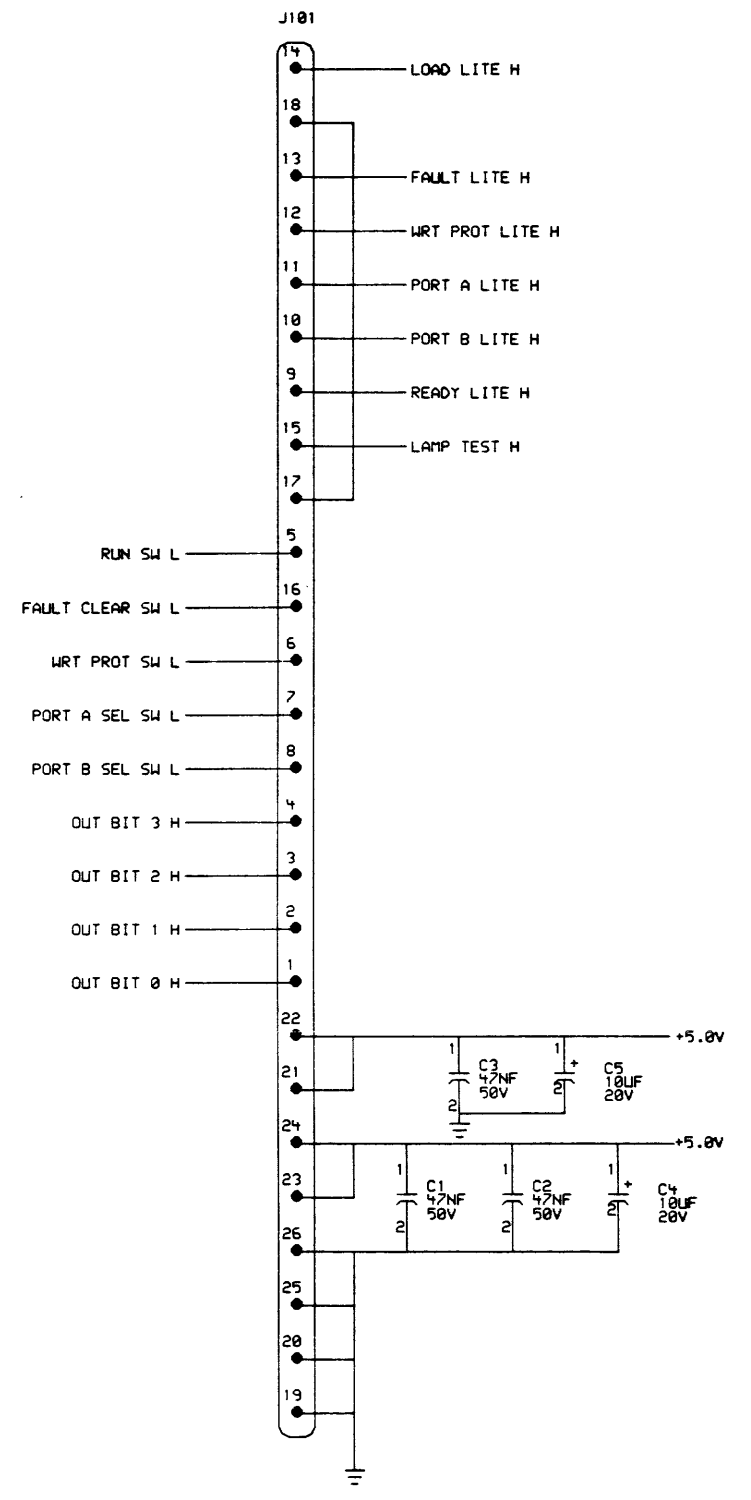
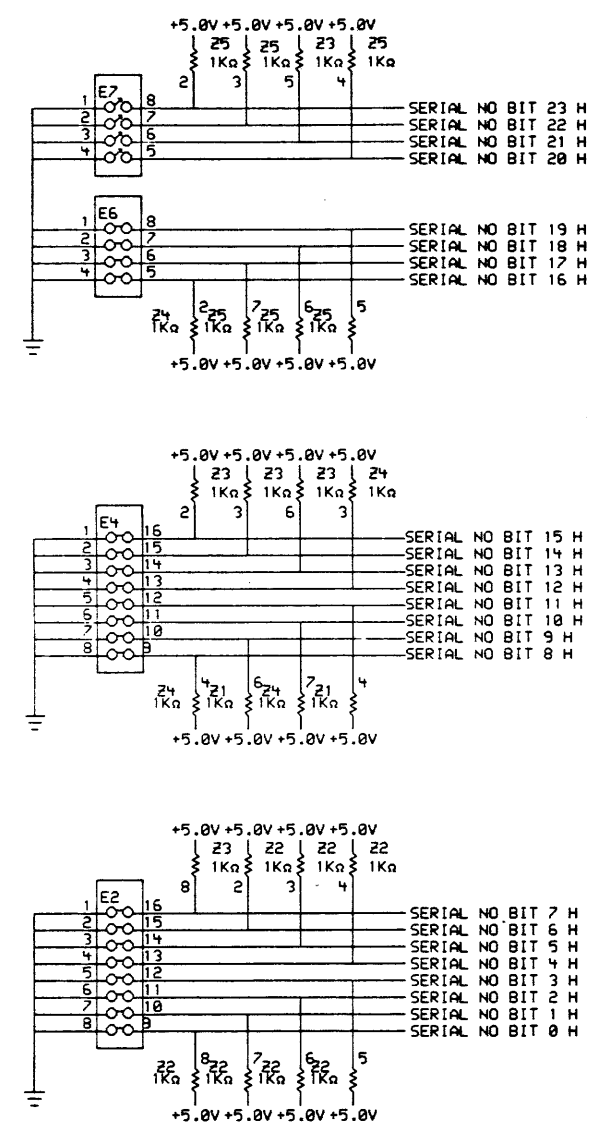
| REVISION HISTORY |            | BASIC PART NO: 5414927 |                | DRN:   | S. BOURBEAU | DATE: | 19-JAN-81 | ID               | I                      | G                    | I    | T          | A | I | L      |
|------------------|------------|------------------------|----------------|--------|-------------|-------|-----------|------------------|------------------------|----------------------|------|------------|---|---|--------|
| ENG              | ECO NUMBER | REV                    | SECTION A OF A | CHK'D: | R. MICHAUD  | DATE: | 19-JAN-81 | TITLE            | PARTS LIST             |                      |      |            |   |   |        |
|                  |            |                        |                |        |             |       |           |                  | OPERATOR CONTROL PANEL |                      |      |            |   |   |        |
|                  |            |                        |                |        |             |       |           |                  | DOCUMENT NUMBER        |                      |      |            |   |   |        |
|                  |            |                        |                |        |             |       |           | SIZE             | CODE                   | NUMBER               | REV. |            |   |   |        |
|                  |            |                        |                |        |             |       |           | K                | PL                     | 5414927-0-DBP        | B    |            |   |   |        |
|                  |            |                        |                |        |             |       |           | ASSEMBLY NUMBER: |                        | TOP DOCUMENT NUMBER: |      | FILE NAME: |   |   | EDIT # |
|                  |            |                        |                |        |             |       |           | D-UA-5414927-0-0 |                        | # B-DD-5414927-0     |      | Z1541B.PLS |   |   | 10     |

RPM  
15 NOV  
82

"THIS DRAWING AND SPECIFICATIONS HEREIN, ARE THE PROPERTY OF DIGITAL EQUIPMENT CORPORATION AND SHALL NOT BE REPRODUCED OR COPIED OR USED IN WHOLE OR IN PART AS THE BASIS FOR THE MANUFACTURE OR SALE OF ITEMS WITHOUT WRITTEN PERMISSION. COPYRIGHT (C) 1982. DIGITAL EQUIPMENT CORPORATION"

D  
C  
B  
A

D  
C  
B  
A

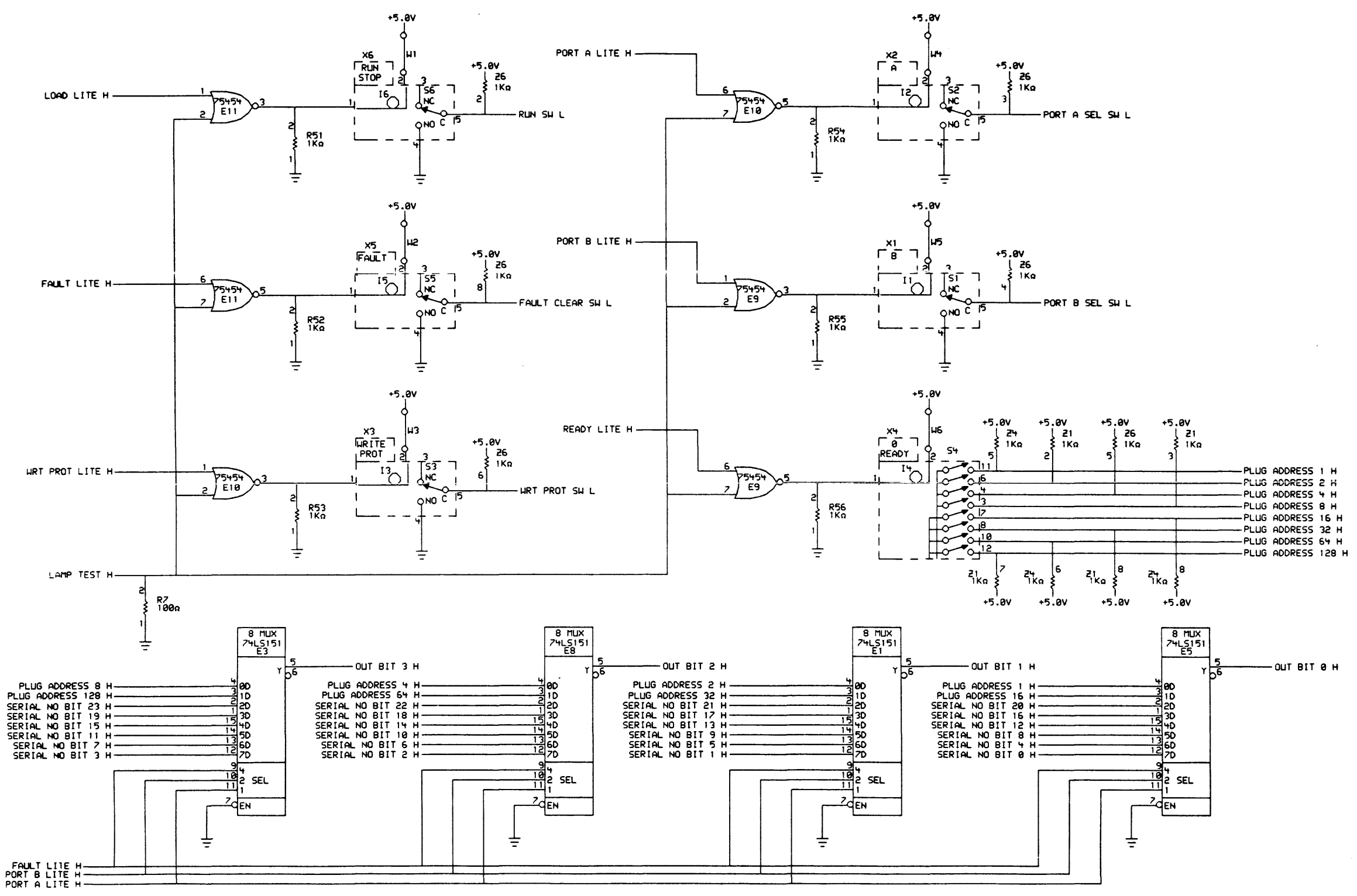


THIS DRAWING AND SPECIFICATIONS ARE THE PROPERTY OF DIGITAL EQUIPMENT CORPORATION AND SHALL NOT BE REPRODUCED OR COPIED OR USED IN WHOLE OR IN PART AS THE BASIS FOR THE MANUFACTURE OR SALE OF ITEMS WITHOUT WRITTEN PERMISSION. COPYRIGHT © 1983, DIGITAL EQUIPMENT CORPORATION

| REVISIONS |            |     |
|-----------|------------|-----|
| CHK       | CHANGE NO. | REV |
| 2         | 5-22       | 3   |
|           | 06/20/83   |     |

|  |             |                       |                 |              |                            |
|--|-------------|-----------------------|-----------------|--------------|----------------------------|
| digital                                    | DRN         | DATE                  | ENG.            | DATE         | TITLE:                     |
|  | 0 Daugherty | 01-20-83              | Seung           | 5 Jan 83     | R80 OPERATOR CONTROL PANEL |
| PS: <DOUGHERTY>OCP01.DRW (04-JAN-83 14:03) |             | DATE                  | BOARD LOCATION: | SHEET 1 OF 2 |                            |
| FIRST USED ON OPTION MODEL:                |             | NEXT HIGHER ASSEMBLY: |                 | SIZE CODE    | NUMBER                     |
|  |             | B-DD-5414927-0        |                 | K CS         | 5414927-0-1                |
|  |             |                       |                 |              | REV. B                     |

REV. B  
NUMBER 5414927-0-1  
SIZE CODE K CS



REV. B  
 NUMBER 5414927-0-1  
 SIZE CODE K CS

THIS DRAWING AND SPECIFICATIONS HEREIN ARE THE PROPERTY OF DIGITAL EQUIPMENT CORPORATION AND SHALL NOT BE REPRODUCED OR COPIED OR USED IN WHOLE OR IN PART AS THE BASIS FOR THE MANUFACTURE OR SALE OF ITEMS WITHOUT WRITTEN PERMISSION. COPYRIGHT © 1983. DIGITAL EQUIPMENT CORPORATION

| REVISIONS |                |
|-----------|----------------|
| CHK       | CHANGE NO. REV |
|           |                |

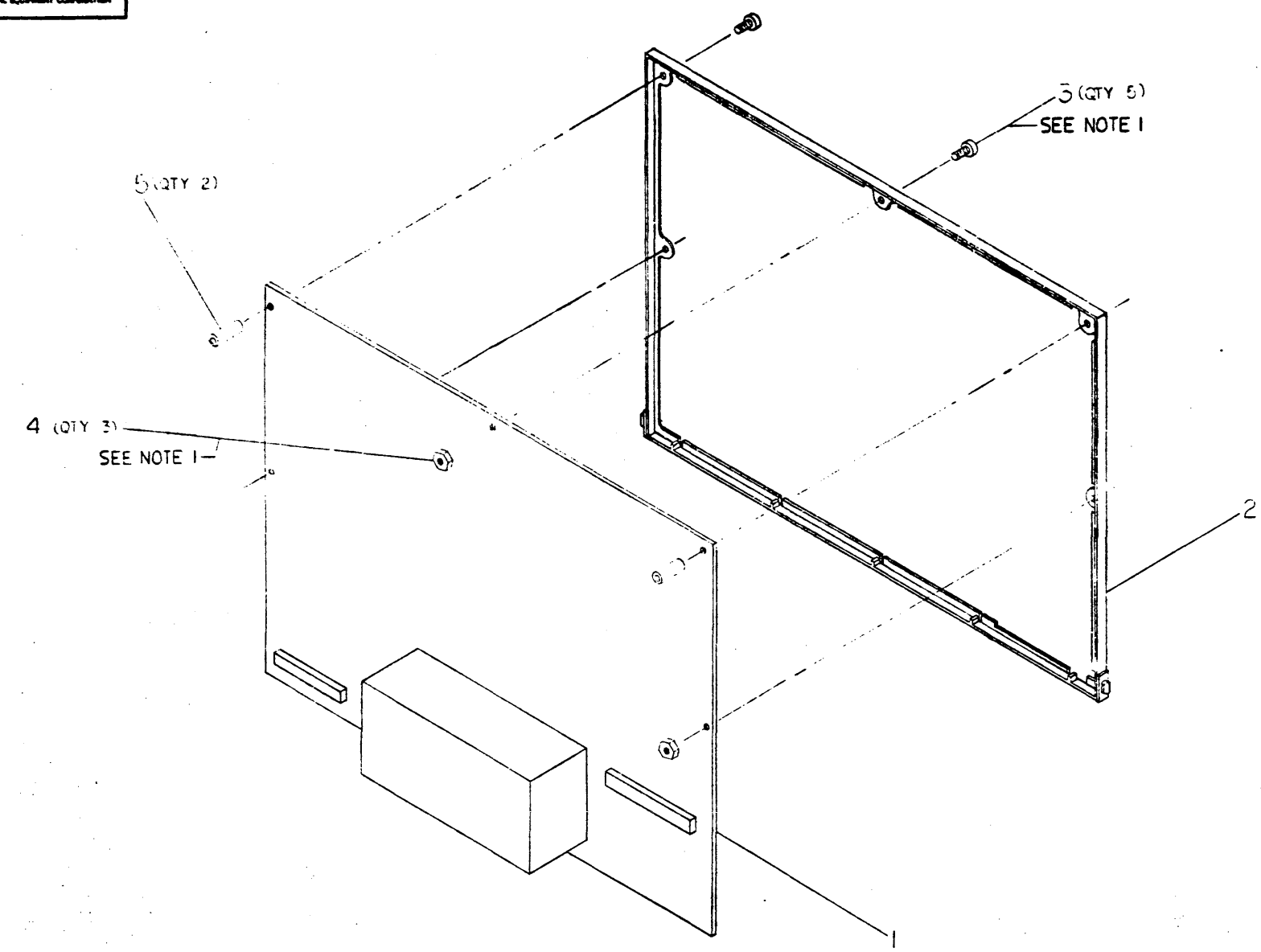
|   |        |                       |      |           |                             |
|---|--------|-----------------------|------|-----------|-----------------------------|
|   | DRN.   | DATE                  | ENG. | DATE      | TITLE:                      |
|   | CHK'D. | 84-JAN-83             |      |           | RAS0 OPERATOR CONTROL PANEL |
| PS: DOUGHERTY\OCP22.DRW 04-JAN-83 14:16 |        | NEXT HIGHER ASSEMBLY: |      | SIZE CODE | NUMBER                      |
| FIRST USED ON OPTION/MODEL:             |        | B-DD-5414927-0        |      | K CS      | 5414927-0-1                 |
|   |        |                       |      |           | REV. B                      |



THIS DRAWING AND SPECIFICATIONS HEREIN ARE THE PROPERTY OF DIGITAL EQUIPMENT CORPORATION AND SHALL NOT BE REPRODUCED OR COPIED OR IN WHOLE OR IN PART AS THE BASIS FOR THE MANUFACTURE OR SALE OF ITEMS WITHOUT WRITTEN PERMISSION. COPYRIGHT © 1975, DIGITAL EQUIPMENT CORPORATION

8 0-0-926910Z 0-13 2 1

NOTES:  
1. APPLY (ITEM 6) TO ITEMS 3 AND 4 AFTER ASSEMBLY.



CAUTION: OFF-SHEET PARTS LIST EXISTS -  
SEE K-PL-7016976-0-DBP (Z1094).

| REV. | DATE      | BY | CHKD. | DESCRIPTION   |
|------|-----------|----|-------|---|
| *    | 18 JAN 80 |    |       | RELEASED TO ECO CONTROL PCO R80-588                     |
| A    |           |    |       | PRODUCTION  |
| B    |           |    |       | 359 7016976-CAD001<br>APP'D C. 15 OCT 81<br>J. NORDBERG |

| DESCRIPTION   |                      | DWG. PART NO.                      | ITEM NO.                          |
|---|----------------------|------------------------------------|-----------------------------------|
| UNLESS OTHERWISE SPECIFIED DIMENSIONS ARE IN INCHES |                      |                                    |                                   |
| ANGLES<br>45° 30°                                   | CLASS OF<br>ACCURACY | NOMINAL DIMENSION RANGES IN INCHES |                                   |
| SURFACE<br>QUALITY IN                               | CHECK ONE            | OVER 0                             | OVER 0.005                        |
|   |                      | 0.005                              | 0.005                             |
| MICROINCHES   | PREFERRED            | 0.005                              | 0.005                             |
|   |                      | 0.005                              | 0.005                             |
| THIRD ANGLE PROJECTION                              |                      | DRW'N BY                           | FIRST USED ON                     |
| REMOVE BURRS AND<br>BREAK SHARP CORNERS             |                      | CHK'D.                             | TITLE                             |
| DO NOT SCALE DWG                                    |                      | ENG.                               | SERVO BOARD AND<br>STIFFENER ASSY |
| MATERIAL<br>SEE PARTS LIST                          |                      | PROL. ENG.                         | SIZE CODE                         |
| FINISH  |                      | NEXT HIGHER ASSY.                  | NUMBER                            |
| SHEET   |                      | SCALE 1/2                          | DIST.                             |

| LINE ITEM | DOCUMENT NUMBER  | PART NUMBER | DESCRIPTION                       | QUANTITY PER VARIATION |
|-----------|------------------|-------------|-----------------------------------|------------------------|
| 1         | E-UA-5414014-0-0 | 5414014-00  | SERVO CONTROL                     | 1                      |
| 2         |                  | 7421976-00  | TRAY EXT HEX SUPPORT              | 1                      |
| 3         |                  | 9008212-00  | SCREW, N/LOX, SLTD PAN HD, 6-32   | 5                      |
| 4         |                  | 9007883-00  | NUT, HEX, NYLON 6-32X .312X .146T | 3                      |
| 5         |                  | 9000035-04  | SPACER, RND, THD 6-32X 3/4 L      | 2                      |
| 6         |                  | 9009536-00  | GLYPTOL, RED                      | A/R                    |

| REVISION HISTORY |               |     | BASIC PART NO: 7016976   |                  | DRN: M. ENGLE    |                      | DATE: 12-MAR-79  |                 | D I G I T A L  |        |
|------------------|---------------|-----|--------------------------|------------------|------------------|----------------------|------------------|-----------------|----------------|--------|
| ENG              | ECO NUMBER    | REV | SECTION A OF A           | CHK'D:           | W. MAJOR         | DATE:                | 21-JAN-80        | TITLE           | PARTS LIST     |        |
| GN               | PCO CONTROL   | *   | SECTION. VARIATION INDEX | DES.ENG.:        | G. NORDBERG      | DATE:                | 21-JAN-80        | SERVO BOARD AND | STIFFENER ASSY |        |
| GN               | R80-CX004     | A   | [A] 00                   | RESP.ENG.:       | W. MONTERO       | DATE:                | 22-JAN-80        | DOCUMENT NUMBER |                |        |
| JN               | 7016976-CX001 | B   | [B]                      | MFG.ENG.:        | W. EHRMANN       | DATE:                | 22-JAN-80        | SIZE            | CODE           | NUMBER |
|                  |               |     | [C]                      | ASSEMBLY NUMBER: | D-AD-7016976-0-0 | TOP DOCUMENT NUMBER: | E-AD-7016773-0-0 | FILE NAME:      | Z1094B.PLS     |        |
|                  |               |     | [D]                      |                  |                  |                      |                  | EDIT #          | 9              |        |
|                  |               |     | [E]                      |                  |                  |                      |                  |                 |                |        |
|                  |               |     | [F]                      |                  |                  |                      |                  |                 |                |        |

THIS DRAWING AND SPECIFICATIONS HEREIN, ARE THE PROPERTY OF DIGITAL EQUIPMENT CORPORATION AND SHALL NOT BE REPRODUCED OR COPIED OR USED IN WHOLE OR IN PART AS THE BASIS FOR THE MANUFACTURE OR SALE OF ITEMS WITHOUT WRITTEN PERMISSION. COPYRIGHT (C) 1981, DIGITAL EQUIPMENT CORPORATION

THIS DRAWING AND SPECIFICATIONS, HEREIN, ARE THE PROPERTY OF DIGITAL EQUIPMENT CORPORATION AND SHALL NOT BE REPRODUCED OR COPIED IN WHOLE OR IN PART FOR THE PURPOSES OF THE MANUFACTURE OR SALE OF ITEMS WITHOUT THE WRITTEN PERMISSION OF DIGITAL EQUIPMENT CORPORATION © 1982

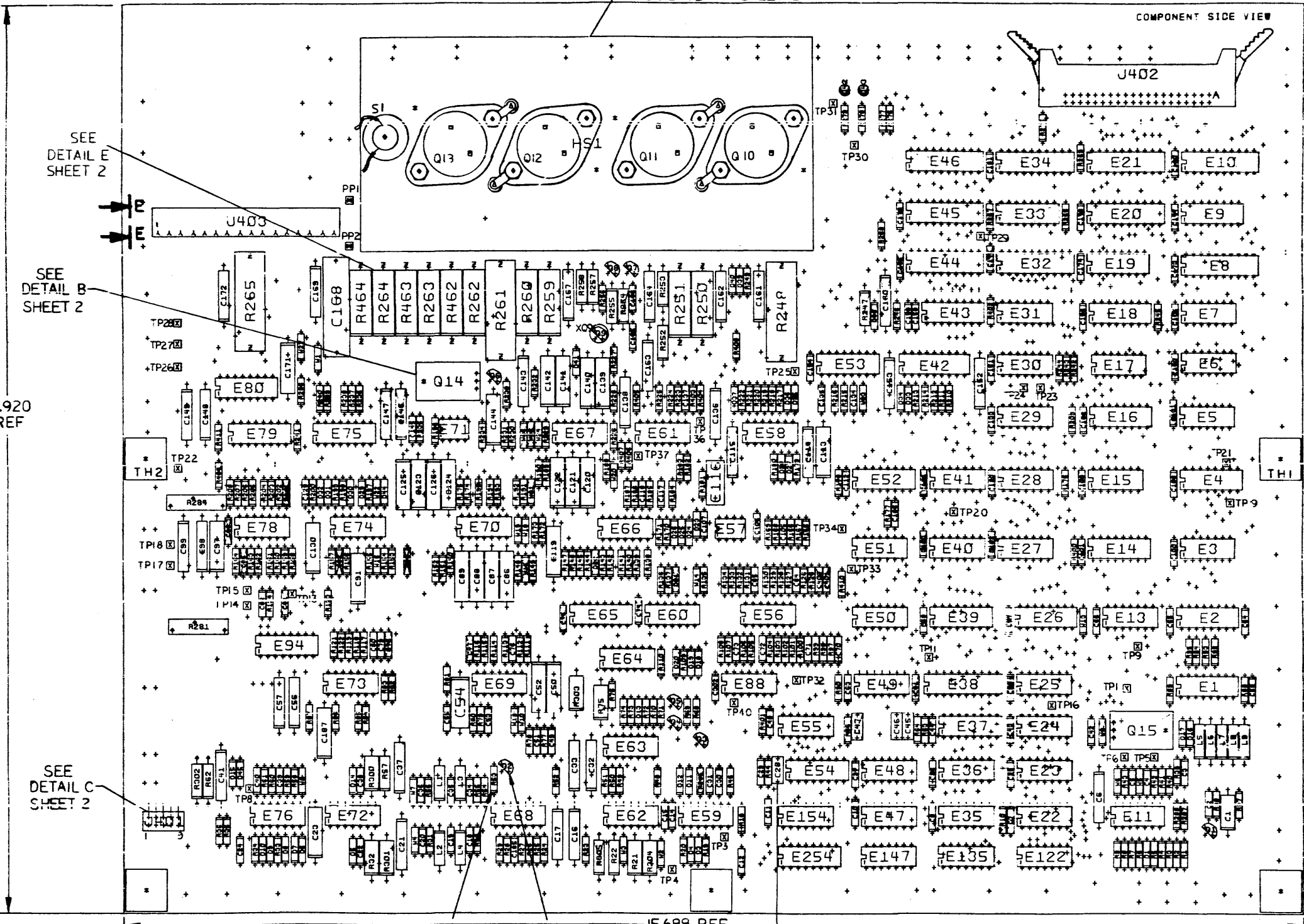
**DO NOT INSERT THE FOLLOWING COMPONENTS:**

- C47, C61, C67, C74, C75, C77, C78, C81, C90, C92, C95, C96, C102, C103, C106, C109, C111, C114, C115, C131, C132, C146, C147, C150, C153, C160, C165, C166, C173, C175, C176, C177, C179, C180, C155, C400, C401.
- D21, D22, D33, D30
- E8, E9, E10, E16, E21, E32, E33, E42, E46
- L6, L7, L8, L9.
- Q15
- R66, R201, R247, R254, R285, R305, R484, R211, R212, R213.
- W9, W15, W21, W25, W26.
- ALL TEST POINTS

11.920 REF

SEE DETAIL A - SHEET 2

COMPONENT SIDE VIEW



SEE DETAIL E SHEET 2

SEE DETAIL B SHEET 2

SEE DETAIL C SHEET 2

15.688 REF

SEE DETAIL D

NOTES: 1. DO NOT INSERT COMPONENTS LISTED ABOVE.  
 2. REV. F ETCHED BOARD (5014013-0) WAS PRODUCED BY ML BOARD SHOP AND SUBSEQUENTLY CANCELLED. REV. F ETCH DOES NOT EXIST IN PRODUCTION DRIVES.

|        |          |   |        |       |
|--------|----------|---|--------|-------|
| STEP E | ↑ Y AXIS | 0 | STEP 2 | TIMES |
| HELPHI | → X AXIS | 2 | STEP 2 | TIMES |

| CHK/CHANGE NO | REV | DATE      | BY    | APP |
|---------------|-----|-----------|-------|-----|
| 150           | K   |           |       |     |
| 5414014       |     |           |       |     |
| 5414007       |     |           |       |     |
| 101           | L   | 10 MAY 82 | B RAY |     |
| 19485414014   |     |           |       |     |
| 150           | L   | 18 JUL 82 | B RAY |     |
| 150           | L   |           |       |     |

8-1  
8-3  
8-2  
8-4

|           |      |
|-----------|------|
| ETCH REV. | H-P2 |
|-----------|------|

|                   |                      |                |                        |
|-------------------|----------------------|----------------|------------------------|
| SIGNATURES        |                      | DATE           | digital                |
| DRN.              | <i>D. O. Johnson</i> | 2-25-82        |                        |
| CHK'D.            | <i>[Signature]</i>   |                | TITLE<br>SERVO CONTROL |
| MECH. ENG.        | <i>[Signature]</i>   |                |                        |
| PROJ. ENG.        | <i>[Signature]</i>   |                |                        |
| PROD. MGR.        | <i>[Signature]</i>   |                |                        |
| SCALE             | LS/1                 | SIZE CODE      | NUMBER                 |
| SHT.              | 1 OF 3               | D UA           | 5414014-0              |
| NEXT HIGHER ASSY. |                      | B-00-5414014-0 |                        |

DRAWING NUMBER

DRAWING NUMBER

DUA 5414014-0-0

DRAWING NUMBER 1 of 3

1 W0#2910424

THIS DRAWING AND SPECIFICATIONS HEREIN ARE THE PROPERTY OF DIGITAL EQUIPMENT CORPORATION AND SHALL NOT BE REPRODUCED OR COPIED OR USED IN WHOLE OR IN PART AS THE BASIS FOR THE MANUFACTURE OR SALE OF ITEMS WITHOUT WRITTEN PERMISSION.  
 COPYRIGHT © 1962  
 DIGITAL EQUIPMENT CORPORATION

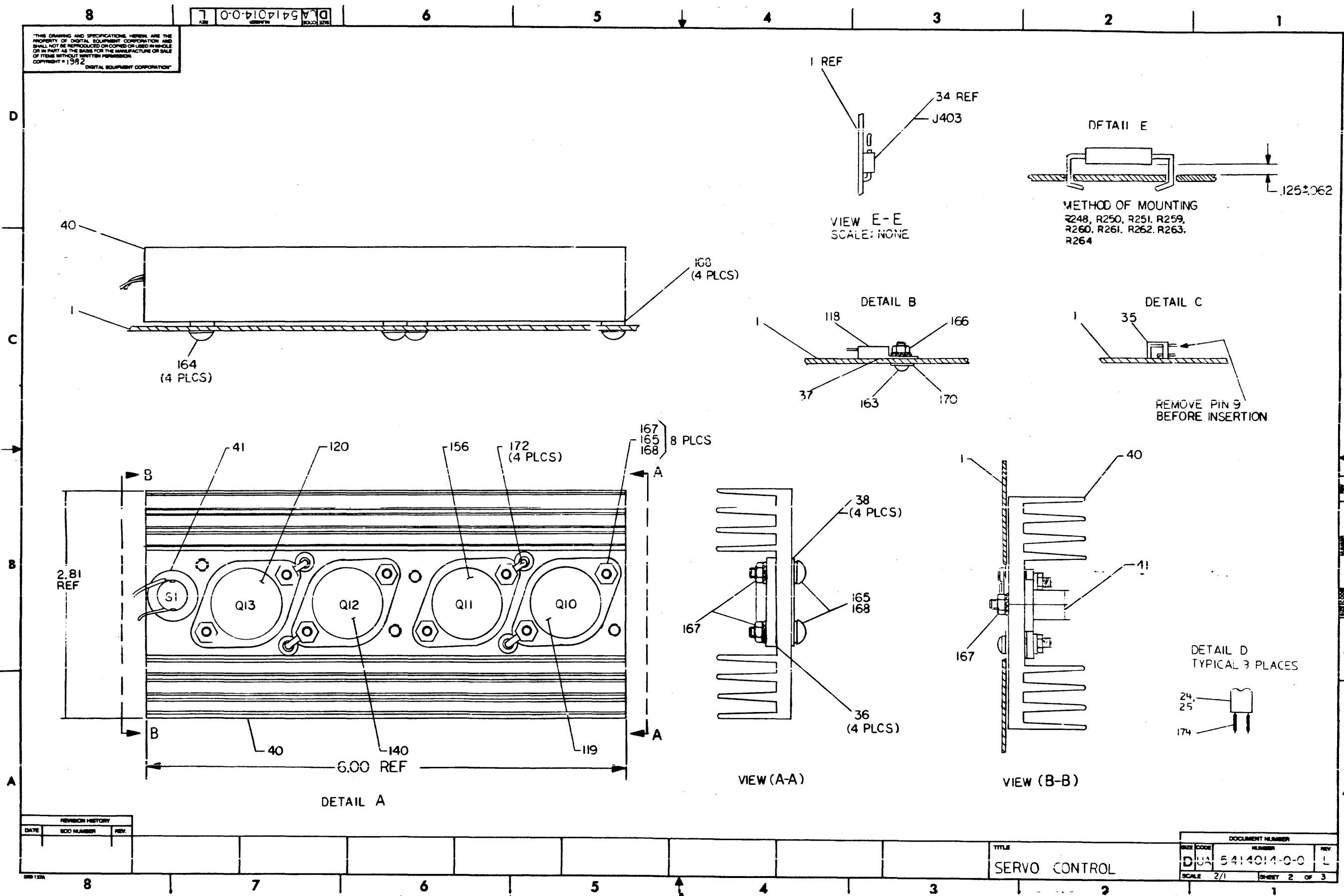
DIA 5414014-0-0

DRAWING NUMBER

DRAWING NUMBER

DIA 5414014-0-0  
 DRAWING NUMBER

2 of 2  
 DRAWING NUMBER



| REVISION HISTORY |            |      |
|------------------|------------|------|
| DATE             | ECO NUMBER | REV. |
|                  |            |      |

TITLE  
 SERVO CONTROL

| SIZE CODE | DOCUMENT NUMBER | REV.         |
|-----------|-----------------|--------------|
| DUA       | 5414014-0-0     | L            |
| SCALE     | 2/1             | SHEET 2 OF 3 |

THIS DRAWING AND SPECIFICATIONS HEREIN ARE THE PROPERTY OF DIGITAL EQUIPMENT CORPORATION AND SHALL NOT BE REPRODUCED OR COPIED OR USED IN WHOLE OR IN PART AS THE BASIS FOR THE MANUFACTURE OR SALE OF ITEMS WITHOUT WRITTEN PERMISSION. COPYRIGHT © 1983 DIGITAL EQUIPMENT CORPORATION

1 0-0-110114 M d 2

ECO 5414014-CX008

COMPONENT DELETES:

- 8-1. DELETE R53, (1302685-00).
- 8-2. DELETE Q2, (1519472-01).

COMPONENT ADDS:

- 8-3. ADD R53, (1316837-00).
- 8-4. ADD Q2, (1513490-00).
- 8-5. WHEN THE ABOVE REWORK IS COMPLETE, MARK THE MODULE CS REV "M".

| REVISIONS |            |      |
|-----------|------------|------|
| CHK       | CHANGE NO. | REV. |
|           |            |      |
|           |            |      |
|           |            |      |
|           |            |      |
|           |            |      |
|           |            |      |
|           |            |      |
|           |            |      |
|           |            |      |

|       |               |           |        |        |             |      |   |
|-------|---------------|-----------|--------|--------|-------------|------|---|
| TITLE | SERVO CONTROL | SIZE CODE | D UA   | NUMBER | 5414014-0-0 | REV. | L |
| SCALE | ---           | SHEET     | 3 OF 3 | DIST.  |             |      |   |

110114  
 0-0-110114 M d 2  
 5414014-0-0  
 D UA L

| LINE ITEM | TOP DOCUMENT     | PART NUMBER | MIN REV | DESCRIPTION                   | QTY | PER VARIATION | REFERENCE DESIGNATOR  |
|-----------|------------------|-------------|---------|-------------------------------|-----|---------------|---|
|           |                  |             |         |                               | 00  |               |   |
| 1         | D-MD-5014013-0-0 | 5014013-00  |         | SERVO CONTROL                 | 1   |               |   |
| 2         |                  | 1000037-00  |         | .22 MFD 100V 10% MYLR         | 1   |               | C168  |
| 3         |                  | 1000050-00  |         | .033 MFD 100V 80V 10% MYL     | 1   |               | C113  |
| 4         |                  | 1000061-00  |         | .0082 MFD 100V 10% MYLR       | 1   |               | C54   |
| 5         |                  | 1001610-00  |         | .01 MFD 50V +80-20% Z5U CER   | 20  |               | C2,C4,C5,C8,C14,C15,C26,C27,C29,<br>CONT C30,C44,C48,C60,C65,C66,C112,<br>CONT C154,C158,C185,C302  |
| 6         |                  | 1001636-00  |         | 2400.0 MMF 100V 5%200PPM MICA | 1   |               | C116  |
| 7         |                  | 1002630-00  |         | .015 MFD 100V 10% MYLR        | 1   |               | C23   |
| 8         |                  | 1005965-00  |         | .47 MFD 35V 10% S.TANT        | 1   |               | C1  |
| 9         |                  | 1009312-00  |         | .0047 MFD 100V 1% MYLR        | 24  |               | C50,C52,C86-C89,C91,C97,<br>CONT C119-C126,C130,C139-C142,C144,<br>CONT C171,C187   |
| 10        |                  | 1012784-00  |         | .047 MFD 50V +80-20% CER      | 27  |               | C7,C10,C11,C12,C22,C25,C38,C42,<br>CONT C43,C58,C63,C64,C68,C70,C80,<br>CONT C100,C101,C105,C108,C110,C133,<br>CONT C135,C151,C156,C174,C178,C181<br>C71,C72,C82,C84,C85,C129 |
| 11        |                  | 1013466-01  |         | 10.0 MMF 50V 5% CER           | 6   |               | C79   |
| 12        |                  | 1013466-06  |         | 100.0 MMF 50V 5% CER          | 1   |               | C3  |
| 13        |                  | 1013466-08  |         | 680.0 MMF 50V 10% X7R CER     | 1   |               | C55,C134  |
| 14        |                  | 1013466-12  |         | 2200.0 MMF 50V 10% X7R CER    | 2   |               | C137  |
| 15        |                  | 1013466-14  |         | 82.0 MMF 50V 5% CER           | 1   |               | C39   |
| 16        |                  | 1013466-18  |         | 330.0 MMF 50V 5% CER          | 1   |               | C49,C51   |
| 17        |                  | 1013466-19  |         | 470.0 MMF 50V 5% CER          | 2   |               | C18,C31,C34,C107  |
| 18        |                  | 1013466-23  |         | 22.0 MMF 50V 5% CER           | 4   |               | C53,C73,C76,C145  |
| 19        |                  | 1013466-24  |         | 47.0 MMF 50V 5% CER           | 4   |               | C19,C35   |
| 20        |                  | 1013466-25  |         | 68.0 MMF 50V 5% CER           | 2   |               | C159  |
| 21        |                  | 1013466-26  |         | 120.0 MMF 50V 5% CER          | 1   |               | C24,C40,C117,C118,C186  |
| 22        |                  | 1013466-28  |         | 1000.0 MMF 50V 5% CER         | 5   |               | C20,C36   |
| 23        |                  | 1013466-29  |         | 1500.0 MMF 50V 5% CER         | 2   |               |   |

| REVISION HISTORY |               | BASIC PART NO: 5414014 |                         | DRN:             | SUE BOURBEAU | DATE:                | 09-JUL-82 | D I G I T A L    |            |               |     |
|------------------|---------------|------------------------|-------------------------|------------------|--------------|----------------------|-----------|------------------|------------|---------------|-----|
| ENG!             | ECO NUMBER    | REV                    | SECTION A OF A          | CHK'D:           | RON MICHAUD  | DATE:                | 09-JUL-82 | TITLE PARTS LIST |            |               |     |
| ---              | 5414014-CX007 | J                      | SECTION VARIATION INDEX | DES.ENG:         | BILL RAY     | DATE:                | 09-JUL-82 | DOCUMENT NUMBER  |            |               |     |
| BR               | 5414014-CX008 | K                      | [A] 00                  | RESP.ENG.:       | BILL RAY     | DATE:                | 09-JUL-82 | SIZE!            | CODE!      | NUMBER        | REV |
|                  |               |                        | [B]                     | MFG.ENG.:        | AHMAD KASSAK | DATE:                | 09-JUL-82 | K                | PL         | 5414014-0-DBP | K   |
|                  |               |                        | [C]                     | ASSEMBLY NUMBER: |              | TOP DOCUMENT NUMBER: |           | RELEASE DATE:    |            |               |     |
|                  |               |                        | [D]                     | E-UA-5414014-0-0 |              | #B-DD-5414014-0      |           | FILE NAME:       | Z0497K.PLS | EDIT #        | 11  |
|                  |               |                        | [E]                     |                  |              |                      |           |                  |            |               |     |
|                  |               |                        | [F]                     |                  |              |                      |           |                  |            |               |     |
|                  |               |                        | [G]                     |                  |              |                      |           |                  |            |               |     |
|                  |               |                        | [H]                     |                  |              |                      |           |                  |            |               |     |
|                  |               |                        | [I]                     |                  |              |                      |           |                  |            |               |     |
|                  |               |                        | [J]                     |                  |              |                      |           |                  |            |               |     |
|                  |               |                        | [K]                     |                  |              |                      |           |                  |            |               |     |
|                  |               |                        | [L]                     |                  |              |                      |           |                  |            |               |     |
|                  |               |                        | [M]                     |                  |              |                      |           |                  |            |               |     |
|                  |               |                        | [N]                     |                  |              |                      |           |                  |            |               |     |

8MB  
7/18/82  
BR  
7/9/82

\*THIS DRAWING AND THE SPECIFICATIONS CONTAINED HEREIN ARE CONFIDENTIAL AND PROPRIETARY. THEY ARE THE PROPERTY OF DIGITAL EQUIPMENT CORPORATION AND SHALL NOT BE REPRODUCED OR COPIED OR USED IN WHOLE OR IN PART AS THE BASIS FOR THE MANUFACTURE OR SALE OF ITEMS WITHOUT WRITTEN PERMISSION. THIS IS AN UNPUBLISHED WORK PROTECTED UNDER THE FEDERAL COPYRIGHT LAWS.\*

| LINE | ITEM | TOP DOCUMENT | PART NUMBER | MIN REV | DESCRIPTION                      | QTY PER VARIATION | REFERENCE DESIGNATOR  |
|------|------|--------------|-------------|---------|----------------------------------|-------------------|---|
|      |      |              |             |         |                                  | 00                |   |
| 24   | 24   | SEE NOTE 1   | 1014169-00  |         | 1000.0 MMF 100V 1%200PPM MICA    | 1                 | C28   |
| 25   | 25   | SEE NOTE 1   | 1017200-00  |         | 100.0 MMF 100V 1% 70PPM MICA     | 2                 | C45,C46   |
| 26   | 26   |              | 1017472-00  |         | 10 MFD 35V +50-10% AL EL         | 25                | C6,C16,C17,C21,C32,C33,C37,C41,<br>C56,C57,C98,C99,C136,C138,C143,<br>CONT C148,C149,C152,C161-C164,C167,<br>CONT C169,C172 |
| 27   | 27   |              | 1100122-00  |         | VZ= 3.9 5% 400 MW 1N748A         | 1                 | D45   |
| 28   | 28   |              | 1102421-00  |         | VZ= 6.2 5% 400 MW 1N753A         | 6                 | D5,D14,D25,D26,D29,D31  |
| 29   | 29   |              | 1105275-00  |         | PIV= 60 IO=300 MA -15NS          | 27                | D1,D3,D4,D6-D13,D18-D20,D23,D24,<br>CONT D27,D28,D30,D32,D35-D37,D39-D41,<br>CONT D44                                       |
| 30   | 30   |              | 1105871-00  |         | VZ= 5.15 1% 250 MW               | 1                 | D34   |
| 31   | 31   |              | 1109977-00  |         | VZ= 4.3 5% 1N749A                | 1                 | D15   |
| 32   | 32   |              | 1110324-00  |         | LED 1MCD@10MA PIV=3              | 2                 | D1,D43  |
| 33   | 33   |              | 1116824-00  |         | VARICAPS, PIV= 3 400MW 1N5       | 2                 | D16,D17   |
| 34   | 34   |              | 1212204-13  |         | PCB HEADER 16PIN(1X16).156CC 90D | 1                 | J403  |
| 35   | 35   |              | 1212965-01  |         | PCB,HEADER 10PIN(2X05).100CC 90D | 1                 | J401  |
| 36   | 36   |              | 1213071-02  |         | INSULATOR,RUBBER SILICONE SM     | 4                 |   |
| 37   | 37   |              | 1213071-06  |         | INSULATOR,RUBBER SILICONE        | 1                 |   |
| 38   | 38   |              | 1215580-00  |         | INSULATOR,MOLDED                 | 4                 |   |
| 39   | 39   |              | 1216832-02  |         | PCB,HEADER 40POS(2X20).100CC 90D | 1                 | J402  |
| 40   | 40   |              | 1216833-00  |         | HEAT SINK,EXTRUSION 06.00X02.8   | 1                 | HS1   |
| 41   | 41   |              | 1216869-00  |         | THERMOSTAT,74 C                  | 1                 | S1  |
| 42   | 42   |              | 1300005-04  |         | R NETWORK 15-470 5.0 % 16PIN     | 1                 | E254  |
| 43   | 43   |              | 1300202-00  |         | 47.0 .25 W 5.0 % CF              | 8                 | R5,R6,R8,R26,R29,R41,R51,R74  |
| 44   | 44   |              | 1300228-00  |         | 100.0 .50 W 5.0 % CF             | 1                 | R22   |
| 45   | 45   |              | 1300291-00  |         | 300.0 .50 W 5.0 % CF             | 2                 | R253,R257   |
| 46   | 46   |              | 1300316-00  |         | 470.0 .25 W 5.0 % CF             | 5                 | R18,R20,R90,R92,R93   |
| 47   | 47   |              | 1300365-00  |         | 1.0 K .25 W 5.0 % CF             | 24                | R10,R19,R33,R94,R95,R165,R176,<br>CONT R209,R210,R242-R245,R266-R269,<br>CONT R275-R277,R400-R402,R410                      |
| 48   | 48   |              | 1300432-00  |         | 3.0 K .25 W 5.0 % CF             | 3                 | R88,R89,R288  |
| 49   | 49   |              | 1300444-00  |         | 3.90 K .25 W 5.0 % CF            | 8                 | R107,R108,R133,R134,R141,R142,<br>CONT R144,R145  |
| 50   | 50   |              | 1300447-00  |         | 4.70 K .25 W 5.0 % CF            | 5                 | R170,R171,R197,R198,R256  |
| 51   | 51   |              | 1300479-00  |         | 10.0 K .25 W 5.0 % CF            | 16                | R101,R102,R105,R106,R126,R126,<br>CONT R129,R132,R140,R143,R180,R219,<br>CONT R221,R222,R237-R240                           |
| 52   | 52   |              | 1300496-00  |         | 15.0 K .25 W 5.0 % CF            | 2                 | R3,R9   |
| 53   | 53   |              | 1301317-00  |         | 10.0 .25 W 5.0 % CF              | 2                 | R24,R249  |
| 54   | 54   |              | 1301401-00  |         | 750.0 .25 W 5.0 % CF             | 1                 | R214  |
| 55   | 55   |              | 1301837-00  |         | 1.21 K .50 W 1.0 % RN60C-F 5     | 4                 | R21,R75,R303,R304   |
| 56   | 56   |              | 1302381-00  |         | 200.0 .50 W 5.0 % CF             | 2                 | R62,R302  |
| 57   | 57   |              | 1302388-00  |         | 2.0 K .25 W 5.0 % CF             | 3                 | R42,R43,R287  |
| 58   | 58   |              | 1302466-00  |         | 100.0 K .25 W 5.0 % CF           | 2                 | R179,R218   |
| 59   | 59   |              | 1302645-00  |         | 1.10 K .25 W 1.0 % RN55D-F10     | 3                 | R55,R278,R279   |
| 60   | 60   |              | 1316837-00  | CR      | 412.0 .25 W 1.0 % RN55D-F10      | 1                 | R53   |
| 61   | 61   |              | 1302858-00  |         | 100.0 .25 W 1.0 % RN55D-F10      | 5                 | R35,R36,R58,R224,R403   |

|   |   |   |   |   |   |   |               |                |      |      |                 |     |
|---|---|---|---|---|---|---|---------------|----------------|------|------|-----------------|-----|
| D | I | G | I | T | A | L | TITLE         | SECTION A OF A | SIZE | CODE | DOCUMENT NUMBER | REV |
|   |   |   |   |   |   |   | SERVO CONTROL |                | K    | PL   | 5413014-0-DBP   | K   |

| LINE | ITEM | TOP DOCUMENT | PART NUMBER | MIN REV | DESCRIPTION                   | QTY | PER VARIATION | REFERENCE DESIGNATOR  |
|------|------|--------------|-------------|---------|-------------------------------|-----|---------------|---|
| 62   | 62   |              | 1302872-00  |         | 681.0 .25 W 1.0 % RN55D-F1    | 1   |               | R109  |
| 63   | 63   |              | 1302874-00  |         | 147.0 .25 W 1.0 % RN55D-F10   | 1   |               | R27   |
| 64   | 64   |              | 1303044-00  |         | 100.0 K .25 W 1.0 % RN55D-F10 | 13  |               | R79-R83,R111,R112,R123,R153,<br>CONT R154,R158,R207,R208  |
| 65   | 65   |              | 1303114-00  |         | 1.0 K .25 W 1.0 % RN55D-F10   | 12  |               | R34,R49,R50,R54,R61,R87,R97,<br>CONT R150,R156,R169,R181,R183   |
| 66   | 66   |              | 1303177-00  |         | 2.40 K .25 W 5.0 % CF         | 1   |               | R408  |
| 67   | 67   |              | 1303179-00  |         | 8.20 K .25 W 5.0 % CF         | 1   |               | R233  |
| 68   | 68   |              | 1303312-00  |         | 10.0 K .25 W 1.0 % RN55D-F10  | 18  |               | R23,R39,R59,R60,P94,R85,R135,<br>CONT R138,R139,R157,R168,R174,R175,<br>CONT R186,R199,R225,R226,R229 |
| 69   | 69   |              | 1304837-00  |         | 24.0 K .25 W 5.0 % CF         | 2   |               | R122,R161   |
| 70   | 70   |              | 1304839-00  |         | 51.0 K .25 W 5.0 % CF         | 2   |               | R155,R206   |
| 71   | 71   |              | 1304855-00  |         | 9.09 K .25 W 1.0 % RN55D-F10  | 1   |               | R182  |
| 72   | 72   |              | 1304862-00  |         | 1.62 K .25 W 1.0 % RN55D-F10  | 7   |               | R68,R69,R70,R72-R74,R286  |
| 73   | 73   |              | 1304865-00  |         | 1.0 K .25 W .10% RN55E-B 2    | 2   |               | R1,R2   |
| 74   | 74   |              | 1305114-00  |         | 3.48 K .25 W 1.0 % RN55D-F10  | 4   |               | R4,R7,R205,R236   |
| 75   | 75   |              | 1305124-00  |         | 287.0 .25 W 1.0 % RN55D-F10   | 2   |               | R46,R110  |
| 76   | 76   |              | 1305125-00  |         | 383.0 .25 W 1.0 % RN55D-F10   | 2   |               | R37,R167  |
| 77   | 77   |              | 1305252-00  |         | 68.10 K .25 W 1.0 % RN55D-F10 | 1   |               | R202  |
| 78   | 78   |              | 1305253-00  |         | 7.15 K .25 W 1.0 % RN55D-F10  | 4   |               | R172,R173,R189,R190   |
| 79   | 79   |              | 1305323-00  |         | 511.0 K .25 W 1.0 % RN55D-F10 | 2   |               | R118,R241   |
| 80   | 80   |              | 1305324-00  |         | 4.99 K .25 W 1.0 % RN55D-F10  | 3   |               | R136,R137,R223  |
| 81   | 81   |              | 1305515-00  |         | 64.0 K .25 W .10% RN55E-B 2   | 2   |               | R113,R115   |
| 82   | 82   |              | 1309143-10  |         | 10.0 K .75 W 10.0 % POT       | 1   |               | R281  |
| 83   | 83   |              | 1309143-13  |         | 50.0 K .75 W 10.0 % POT       | 1   |               | R284  |
| 84   | 84   |              | 1309296-00  |         | 113.0 K .25 W .10% RN55E-B 2  | 2   |               | R114,R116   |
| 85   | 85   |              | 1309415-00  |         | 11.50 K .25 W 1.0 % RN55D-F10 | 2   |               | R64,R166  |
| 86   | 86   |              | 1309416-00  |         | 31.60 K .25 W 1.0 % RN55D-F10 | 1   |               | R117  |
| 87   | 87   |              | 1309417-00  |         | 27.40 K .25 W 1.0 % RN55D-F10 | 4   |               | R148,R149,R151,R152   |
| 88   | 88   |              | 1309595-00  |         | 1.0 M .25 W 5.0 % CF          | 8   |               | R77,R78,R86,R100,R104,R127,R131,<br>CONT R411   |
| 89   | 89   |              | 1310634-00  |         | 2.67 K .25 W 1.0 % RN55D-F10  | 2   |               | R63,R188  |
| 90   | 90   |              | 1311522-00  |         | 200.0 .25 W 5.0 % CF          | 1   |               | R52   |
| 91   | 91   |              | 1311845-00  |         | 487.0 .25 W 1.0 % RN55D-F10   | 2   |               | R31,R56   |
| 92   | 92   |              | 1312546-00  |         | 16.50 K .25 W 1.0 % RN55D-F10 | 4   |               | R191-R193,R195  |
| 93   | 93   |              | 1312626-00  |         | 2.49 K .25 W 1.0 % RN55D-F10  | 1   |               | R246  |
| 94   | 94   |              | 1312699-00  |         | 150.0 .50 W 1.0 % RN60D-F10   | 1   |               | R255  |
| 95   | 95   |              | 1312747-00  |         | 56.20 K .25 W 1.0 % RN55D-F10 | 3   |               | R38,R234,R235   |
| 96   | 96   |              | 1312921-00  |         | 649.0 .25 W 1.0 % RN55D-F10   | 2   |               | R25,R28   |
| 97   | 97   |              | 1312922-00  |         | 536.0 .25 W 1.0 % RN55D-F10   | 2   |               | R30,R71   |
| 98   | 98   |              | 1312924-00  |         | 10.70 K .25 W 1.0 % RN55D-F10 | 1   |               | R44   |
| 99   | 99   |              | 1312930-00  |         | 5.10 K .25 W 5.0 % CF         | 11  |               | R48,R99,R103,R125,R130,R146,<br>CONT R147,R184,R185,R217,R220   |
| 100  | 100  |              | 1312985-00  |         | 332.0 K .25 W 1.0 % RN55D-F10 | 1   |               | R40   |
| 101  | 101  |              | 1312988-00  |         | 49.90 K .25 W 1.0 % RN55D-F10 | 11  |               | R119,R121,R159,R160,R177,R178,<br>CONT R200,R404-R407   |
| 102  | 102  |              | 1312990-00  |         | 12.70 K .25 W 1.0 % RN55D 10  | 1   |               | R98   |

|   |   |   |   |   |   |   |               |           |      |      |      |                 |     |
|---|---|---|---|---|---|---|---------------|-----------|------|------|------|-----------------|-----|
| D | I | G | I | T | A | L | TITLE         | SECTION A | OF A | SIZE | CODE | DOCUMENT NUMBER | REV |
|   |   |   |   |   |   |   | SERVO CONTROL |           |      | K    | PL   | 5414014-0-DBP   | K   |



| LINE | ITEM | TOP DOCUMENT | PART NUMBER | MIN REV    | DESCRIPTION              | QTY | PER VARIATION | REFERENCE DESIGNATOR         |
|------|------|--------------|-------------|------------|--------------------------|-----|---------------|------------------------------|
|      |      |              |             |            |                          | 00  |               |                              |
| 103  | 103  |              | 1313167-00  | 833.0      | K .25 W 1.0 % RN55C-F 5  | 1   |               | R196                         |
| 104  | 104  |              | 1313343-00  | 28.70      | K .25 W 1.0 % RN55D-F10  | 1   |               | R216                         |
| 105  | 105  |              | 1313358-00  | .20        | 5.0 W 3.0 % WW           | 2   |               | R248,R261                    |
| 106  | 106  |              | 1313588-00  | 768.0      | .25 W 1.0 % RN55D-F10    | 1   |               | R232                         |
| 107  | 107  |              | 1313753-00  | 37.40      | K .25 W 1.0 % RN55D-F10  | 2   |               | R163,R204                    |
| 108  | 108  |              | 1313841-00  | 23.20      | K .25 W 1.0 % RN55D-F10  | 1   |               | R215                         |
| 109  | 109  |              | 1314187-00  | 6.19       | K .25 W 1.0 % RN55D-F10  | 1   |               | R187                         |
| 110  | 110  |              | 1314252-00  | 130.0      | K .25 W 1.0 % RN55D-F10  | 4   |               | R124,R162,R164,R203          |
| 111  | 111  |              | 1314491-00  | 1.02       | K .25 W 1.0 % RN55D-F10  | 1   |               | R194                         |
| 112  | 112  |              | 1314989-00  | 11.30      | K .25 W 1.0 % RN55D-F10  | 4   |               | R227,R228,R230,R231          |
| 113  | 113  |              | 1315240-00  | .10        | 3.0 W 1.0 % WW           | 1   |               | R265                         |
| 114  | 114  |              | 1316575-00  | 10.0       | 2.0 W 5.0 % CC           | 4   |               | R250,R251,R259,R260          |
| 115  | 115  |              | 1316844-00  | 301.0      | .50 W 1.0 % RN60D-F10    | 6   |               | R32,R57,R252,R258,R300,R301  |
| 116  | 116  |              | 1318981-01  | 82.0       | 3.0 W 5.0 % WW           | 6   |               | R262-R264,R462-R464          |
| 117  | 117  |              | 1509900-00  | 2N 4859    | FET 360MW SIN CHNNL      | 1   |               | Q9                           |
| 118  | 118  |              | 1510421-00  | D 44C8     | NPN 30WT SI 60 20        | 1   |               | Q14                          |
| 119  | 119  |              | 1511282-00  | MJ2500     | PNP 150WC SI 60 5 1K 5A  | 1   |               | Q10                          |
| 120  | 120  |              | 1511349-00  | TIP 640    | (OR MJ3000) NPN DARLINGT | 1   |               | Q13                          |
| 121  | 121  |              | 1519472-01  | 2N 4209    | PNP 300MW 15V@50MA       | 4   |               | Q1,Q3-Q5                     |
| 122  | 122  |              | 1513489-00  | 2N 4401    | NPN 350MW SI 40 20       | 2   |               | Q6,Q7                        |
| 123  | 123  |              | 1513490-00  | 2N 4403    | PNP 350MW SI-40 30       | 2   |               | Q2,Q8                        |
| 124  | 124  |              | 1612946-04  | 6.8        | UH 10% Q MIN=52@7.9MHZ   | 2   |               | L1,L2                        |
| 125  | 125  |              | 1612946-05  | 18         | UH 10% Q MIN=50@2.5MHZ   | 2   |               | L3,L4                        |
| 126  | 126  |              | 1616879-00  | INDUCTOR   | 1.12UH 1% 370MA          | 1   |               | L5                           |
| 127  | 127  |              | 1618544-00  | DELAY-     | 250NS; STAPS             | 2   |               | F135,E147                    |
| 128  | 128  |              | 1910268-00  | DEC 75107B | RECEIVER,LINE,DUAL,      | 1   |               | E59                          |
| 129  | 129  |              | 1910532-00  | 74S00      | NAND GATE-QUAD 2IN       | 2   |               | F24,F47                      |
| 130  | 130  |              | 1910533-00  | 74S03      | NAND GATE-QUAD 2IN,0     | 1   |               | E36                          |
| 131  | 131  |              | 1910536-00  | 74S10      | NAND GATE-TRIPLE 3IN     | 2   |               | E23,E35                      |
| 132  | 132  |              | 1910537-00  | 74S11      | AND GATE-TRIPLE 3INP     | 1   |               | E49                          |
| 133  | 133  |              | 1910540-00  | 74S22      | NAND GATE-DUAL 4INPU     | 1   |               | E22                          |
| 134  | 134  |              | 1910544-00  | 74S74      | FF-D DUAL,EDGE TRIGG     | 3   |               | E13,E48,E154                 |
| 135  | 135  |              | 1910644-00  | 733        | DIFFERENTIAL AMP,WID     | 1   |               | E72                          |
| 136  | 136  |              | 1910741-00  | 7406       | INVERTER GATE-HEX 1I     | 1   |               | E55                          |
| 137  | 137  |              | 1911415-00  | 10125      | ECL TO TTL TRNSLTR       | 1   |               | E2                           |
| 138  | 138  |              | 1911629-00  | 1408L8     | DAC, 8BIT                | 1   |               | E43                          |
| 139  | 139  |              | 1912108-00  | 339        | VOLT CMPRTR,QUAD         | 3   |               | E56,E58,E66                  |
| 140  | 140  |              | 1912792-01  | 7915CK     | VOLT REG,FIX -15V        | 1   |               | Q12                          |
| 141  | 141  |              | 1912799-00  | LS00       | NAND-GATE-QUAD 2IN,P     | 5   |               | E6,E31,E40,E41,E50           |
| 142  | 142  |              | 1912803-00  | LS04       | INVERTER GATE,HEX        | 3   |               | E3,E7,E29                    |
| 143  | 143  |              | 1912810-00  | LS20       | NAND GATE-DUAL 4IN       | 1   |               | E5                           |
| 144  | 144  |              | 1912815-00  | LS30       | NAND GATE-SINGLE 8IN     | 1   |               | E15                          |
| 145  | 145  |              | 1912824-00  | LS74       | FF-D DUAL,EDGE TRIGG     | 7   |               | E17,E25,E27,E30,E51,E60,E122 |
| 146  | 146  |              | 1912829-00  | LS86       | X-OR GATE-QUAD 2IN       | 1   |               | E88                          |
| 147  | 147  |              | 1912834-00  | LS112      | FF-JK,DUAL,EDGE TRIG     | 1   |               | E4                           |
| 148  | 148  |              | 1912837-00  | LS123      | ONE SHOT-DUAL,RETRIG     | 3   |               | E52-E54                      |
| 149  | 149  |              | 1912849-00  | LS161      | COUNTER,SYNCHR,4BIT      | 1   |               | E26                          |
| 150  | 150  |              | 1912850-00  | LS164      | SHIFT REG. 8BIT SERI     | 1   |               | E28                          |

|   |   |   |   |   |   |   |               |           |      |      |      |                 |     |
|---|---|---|---|---|---|---|---------------|-----------|------|------|------|-----------------|-----|
| D | I | G | I | T | A | L | TITLE         | SECTION A | OF A | SIZE | CODE | DOCUMENT NUMBER | REV |
|   |   |   |   |   |   |   | SERVO CONTROL |           |      | K    | PL   | 5414014-0-DBP   | K   |

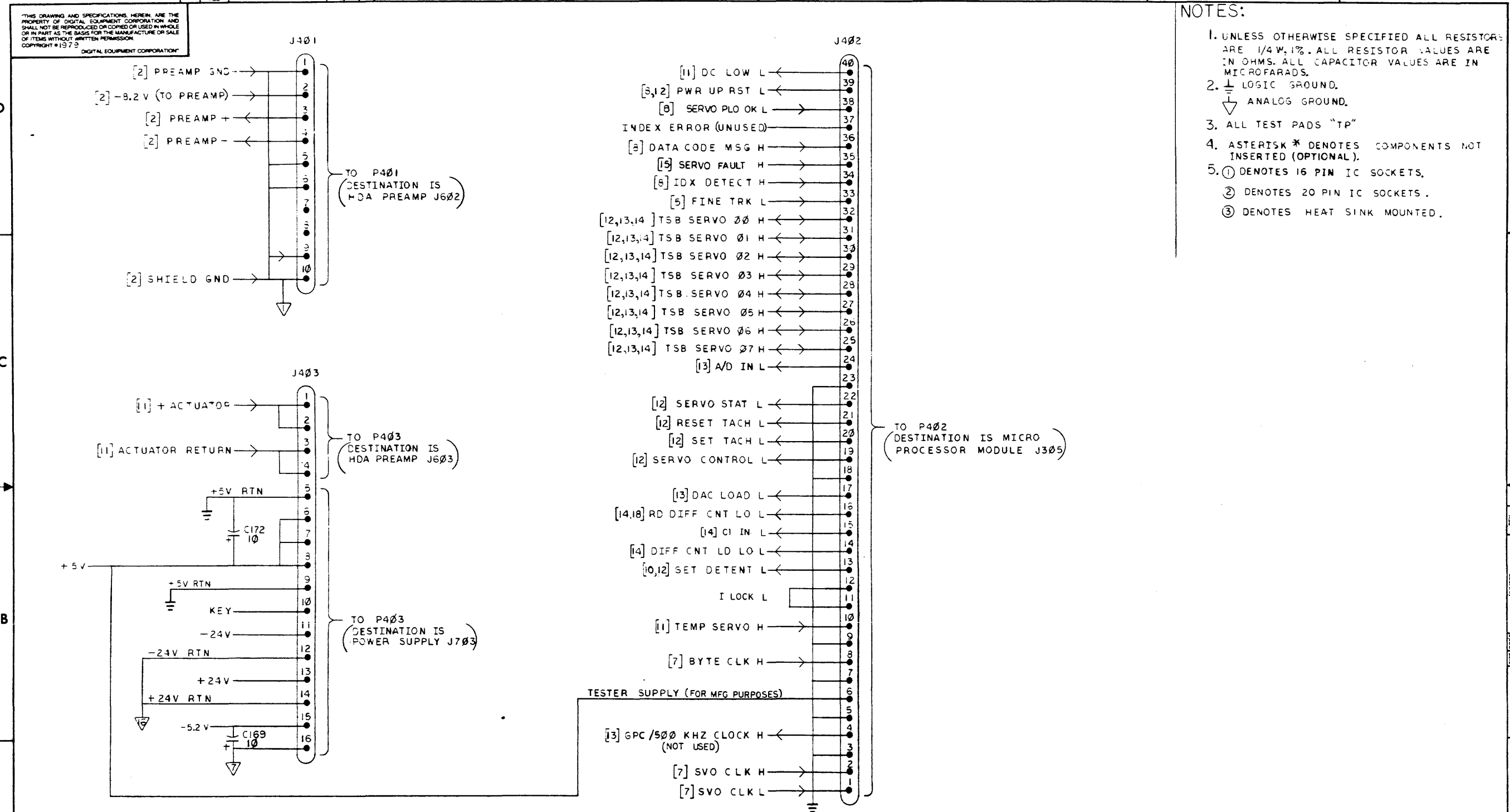
| LINE | ITEM | TOP DOCUMENT | PART NUMBER | MIN REV | DESCRIPTION                      | QTY | PER VARIATION | REFERENCE DESIGNATOR                                   |
|------|------|--------------|-------------|---------|----------------------------------|-----|---------------|--|
|      |      |              |             |         |                                  | 00  |               |  |
| 151  | 151  |              | 1912854-00  |         | LS193 COUNTER,SYNCHR,4BIT,       | 2   |               | E18,E19  |
| 152  | 152  |              | 1912858-00  |         | LS221 ONE SHOT-DUAL,SCHMIT       | 1   |               | E37  |
| 153  | 153  |              | 1912863-00  |         | LS273 FF-D OCTAL W/CLEAR         | 3   |               | E34,E38,E45  |
| 154  | 154  |              | 1913017-00  |         | 3046 XSISTOR ARRAY,3 ISOL        | 6   |               | E11,E62-E64,E68,E76                                    |
| 155  | 155  |              | 1913035-02  | LM      | 308ANOP AMP GEN PURP. COM        | 2   |               | E57,E71  |
| 156  | 156  |              | 1914473-00  | DEC     | 7815 VOLT REG,FIX +15V           | 1   |               | Q11  |
| 157  | 157  |              | 1914485-01  | TL      | 084ACNOP AMP,QUAD JFET           | 7   |               | E61,E67,E69,E70,E73,E74,E78                            |
| 158  | 158  |              | 1915193-00  |         | LS244 DRIVER,LINE,OCTAL,T        | 2   |               | E20,E44  |
| 159  | 159  | SEE NOTE 2   | 2119305-01  |         | 201 SWITCH,ANALOG,QUAD           | 5   |               | E65,E75,E79,E80,E94                                    |
| 160  | 160  |              | 1916574-00  |         | 10114 RECEIVER,LINE,TRIPL        | 1   |               | E1   |
| 161  | 161  |              | 23268A1-00  | A1-07   |                                  | 1   |               | E14  |
| 162  | 162  |              | 23341A1-00  | A1-07   |                                  | 1   |               | E39  |
| 163  | 163  |              | 9006010-01  |         | SCREW,MACH PAN PHIL 4-           | 1   |               |  |
| 164  | 164  |              | 9006022-01  |         | SCREW,MACH PAN PHIL 6-           | 4   |               |  |
| 165  | 165  |              | 9006025-01  |         | SCREW,MACH PAN PHIL 6-           | 8   |               |  |
| 166  | 166  |              | 9006557-00  |         | NUT,HEX EXT TOOTH LCKWSHR 4-40   | 1   |               |  |
| 167  | 167  |              | 9006560-00  |         | NUT,HEX EXT TOOTH LCKWSHR 6-32   | 9   |               |  |
| 168  | 168  |              | 9006656-00  |         | WASHER,FLAT STEEL                | 12  |               |  |
| 169  | 169  |              | 9007791-00  |         | TERM PCB 2POS SOLDER,TURRET      | 2   |               | PP1,PP2  |
| 170  | 170  |              | 9008172-00  |         | WASHER,FLAT SST                  | 1   |               |  |
| 171  | 171  |              | 9009185-00  |         | JUMPER, WIRE, INSULATED, BLACK B | 20  |               | W1-W8,W10,W11,W13,W14,W16,<br>CONT W18-W20,W22-W24,W27 |
| 172  | 172  |              | 9009676-00  |         | TERM,SOLDER BARRIER STR          | 4   |               |  |
| 173  | 173  |              | 9009898-00  |         | TRANSIPAD, 4 HOLE                | 1   |               | XQ9  |
| 174  | 174  |              | 9107256-11  |         | TUBING,TEFLON .027ID             | A/R |               |  |

- 175 NOTE: NOTE 1: ATTACH TUBING (ITEM 174) TO LEADS OF C28,C45 & C46.
- 176 NOTE: NOTE 2: IF ANY OF THESE COMPONENTS (21-19305-01) ARE FROM NATIONAL
- 177 NOTE: VENDOR 13201, DELETE. COMPONENTS (21-19305-01) FROM VENDORS
- 178 NOTE: SILICONIX DG201 AND HARRIS HI-201 ARE ACCEPTABLE.

|   |   |   |   |   |   |   |               |                |      |      |                 |     |
|---|---|---|---|---|---|---|---------------|----------------|------|------|-----------------|-----|
| D | I | G | I | T | A | L | TITLE         | SECTION A OF A | SIZE | CODE | DOCUMENT NUMBER | REV |
|   |   |   |   |   |   |   | SERVO CONTROL |                |      |      | 5414014-0-DBP   | K   |

THIS DRAWING AND SPECIFICATIONS HEREIN ARE THE PROPERTY OF DIGITAL EQUIPMENT CORPORATION AND SHALL NOT BE REPRODUCED OR COPIED OR USED IN WHOLE OR IN PART AS THE BASIS FOR THE MANUFACTURE OR SALE OF ITEMS WITHOUT WRITTEN PERMISSION. COPYRIGHT © 1979 DIGITAL EQUIPMENT CORPORATION

W 1-0-514014-0-1 M



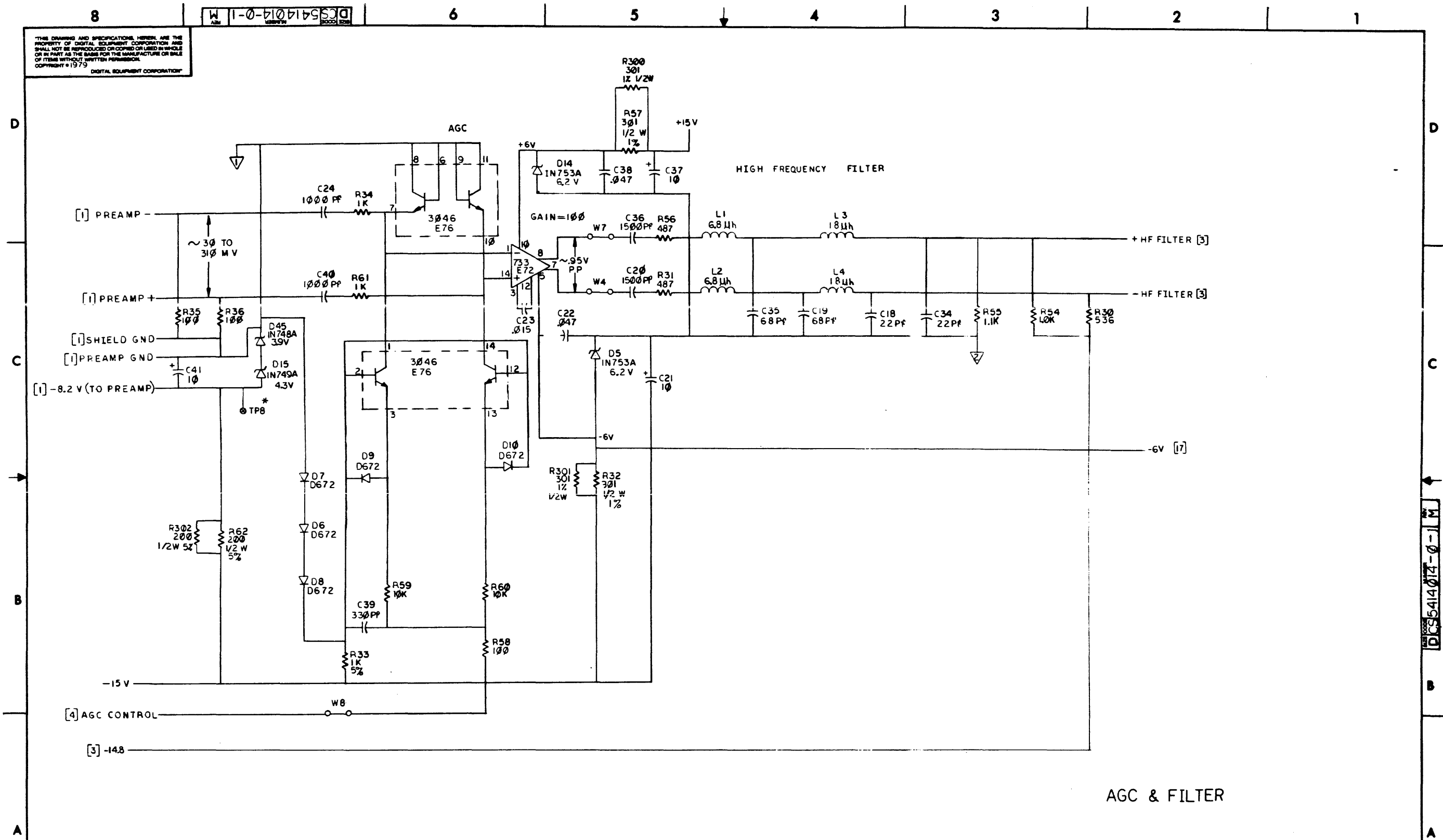
- NOTES:
1. UNLESS OTHERWISE SPECIFIED ALL RESISTORS ARE 1/4 W, 1%. ALL RESISTOR VALUES ARE IN OHMS. ALL CAPACITOR VALUES ARE IN MICROFARADS.
  2.  $\perp$  LOGIC GROUND.  
 $\nabla$  ANALOG GROUND.
  3. ALL TEST PADS "TP"
  4. ASTERISK \* DENOTES COMPONENTS NOT INSERTED (OPTIONAL).
  5. ① DENOTES 16 PIN IC SOCKETS.  
 ② DENOTES 20 PIN IC SOCKETS.  
 ③ DENOTES HEAT SINK MOUNTED.

| DATE    | ECO NUMBER     | REV. |
|---------|----------------|------|
| 1/20/80 | 5414014-CX000A | E    |
| 1/20/80 | 5414014-CX000A | F    |
| 1/20/80 | 5414014-CX000A | G    |
| 1/20/80 | 5414014-CX000A | H    |
| 1/20/80 | 5414014-CX000A | I    |
| 1/20/80 | 5414014-CX000A | J    |
| 1/20/80 | 5414014-CX000A | K    |
| 1/20/80 | 5414014-CX000A | L    |
| 1/20/80 | 5414014-CX000A | M    |

|                  |                |       |                |
|------------------|----------------|-------|----------------|
| DATE             | 3 JULY 79      | TITLE | (SVI) digital  |
| CHKD             | F. H. H. H.    | DATE  | 2-8-79         |
| DES. ENG.        |                | DATE  | 2-8-79         |
| RESP. ENG.       |                | DATE  |                |
| MFG. ENG.        |                | DATE  |                |
| NEXT HIGHER DOC. | B-DD-5414014-0 | SCALE |                |
| DOCUMENT NUMBER  |                | SIZE  | CODE           |
| SERVO CONTROL    |                | D     | CS 5414014-0-1 |
| NUMBER           |                | SHEET | REV            |
|                  |                | 1     | M              |

DCS 5414014-0-1 M

THIS DRAWING AND SPECIFICATIONS HEREIN ARE THE PROPERTY OF DIGITAL EQUIPMENT CORPORATION AND SHALL NOT BE REPRODUCED OR COPIED OR USED IN WHOLE OR IN PART AS THE BASIS FOR THE MANUFACTURE OR SALE OF ITEMS WITHOUT WRITTEN PERMISSION. COPYRIGHT © 1979 DIGITAL EQUIPMENT CORPORATION.

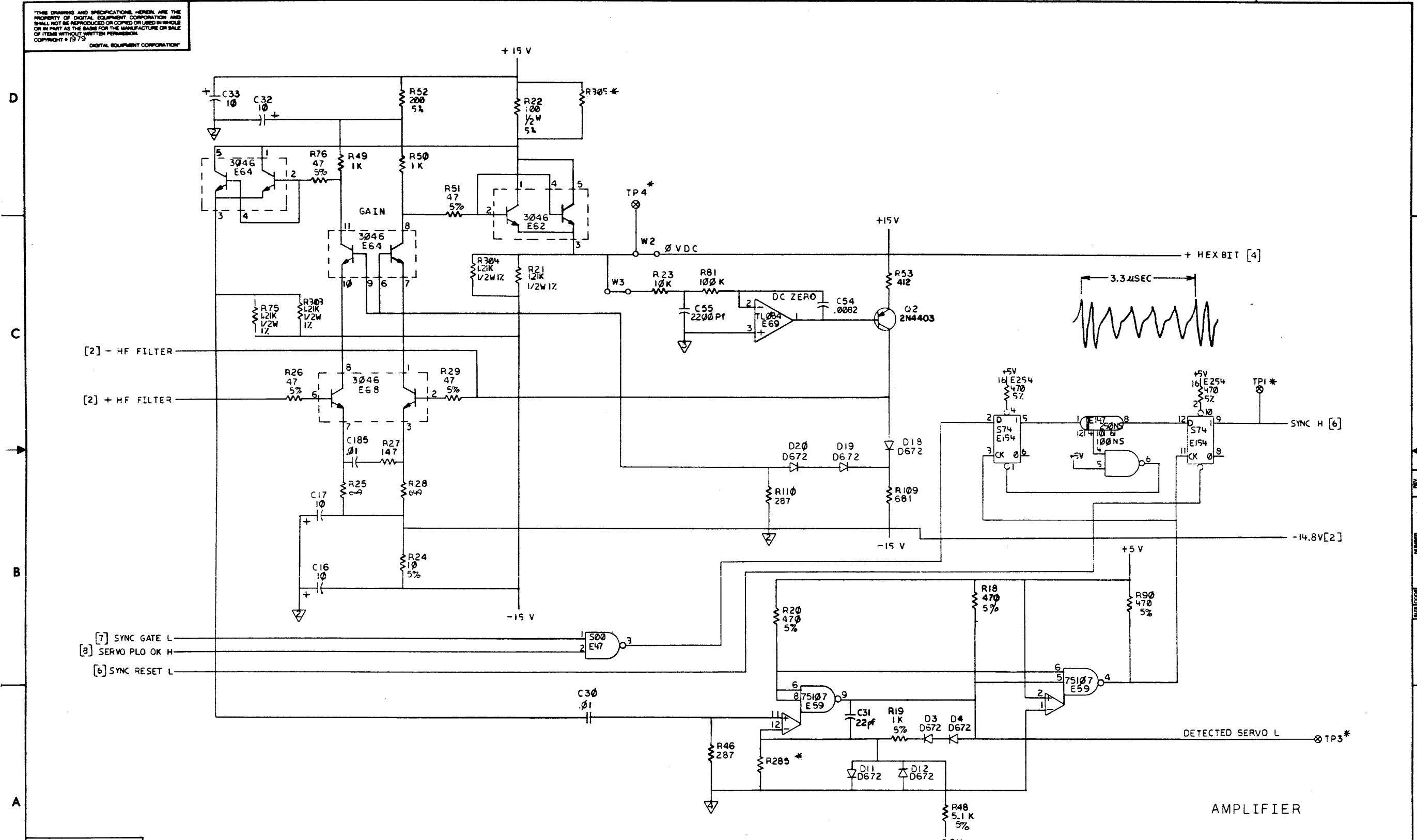


AGC & FILTER

| REVISION HISTORY |            |      |
|------------------|------------|------|
| DATE             | ECO NUMBER | REV. |
|                  |            |      |

|               |  |  |  |  |  |                 |  |                 |  |
|---------------|--|--|--|--|--|-----------------|--|-----------------|--|
| TITLE         |  |  |  |  |  | (SV2)           |  | DOCUMENT NUMBER |  |
| SERVO CONTROL |  |  |  |  |  | DCS 5414014-0-1 |  | REV. M          |  |
| SCALE         |  |  |  |  |  | SHEET 2 OF 18   |  |                 |  |

THIS DRAWING AND SPECIFICATIONS HEREIN ARE THE PROPERTY OF DIGITAL EQUIPMENT CORPORATION AND SHALL NOT BE REPRODUCED OR COPIED OR USED IN WHOLE OR IN PART AS THE BASIS FOR THE MANUFACTURE OR SALE OF ITEMS WITHOUT WRITTEN PERMISSION. COPYRIGHT © 1973 DIGITAL EQUIPMENT CORPORATION

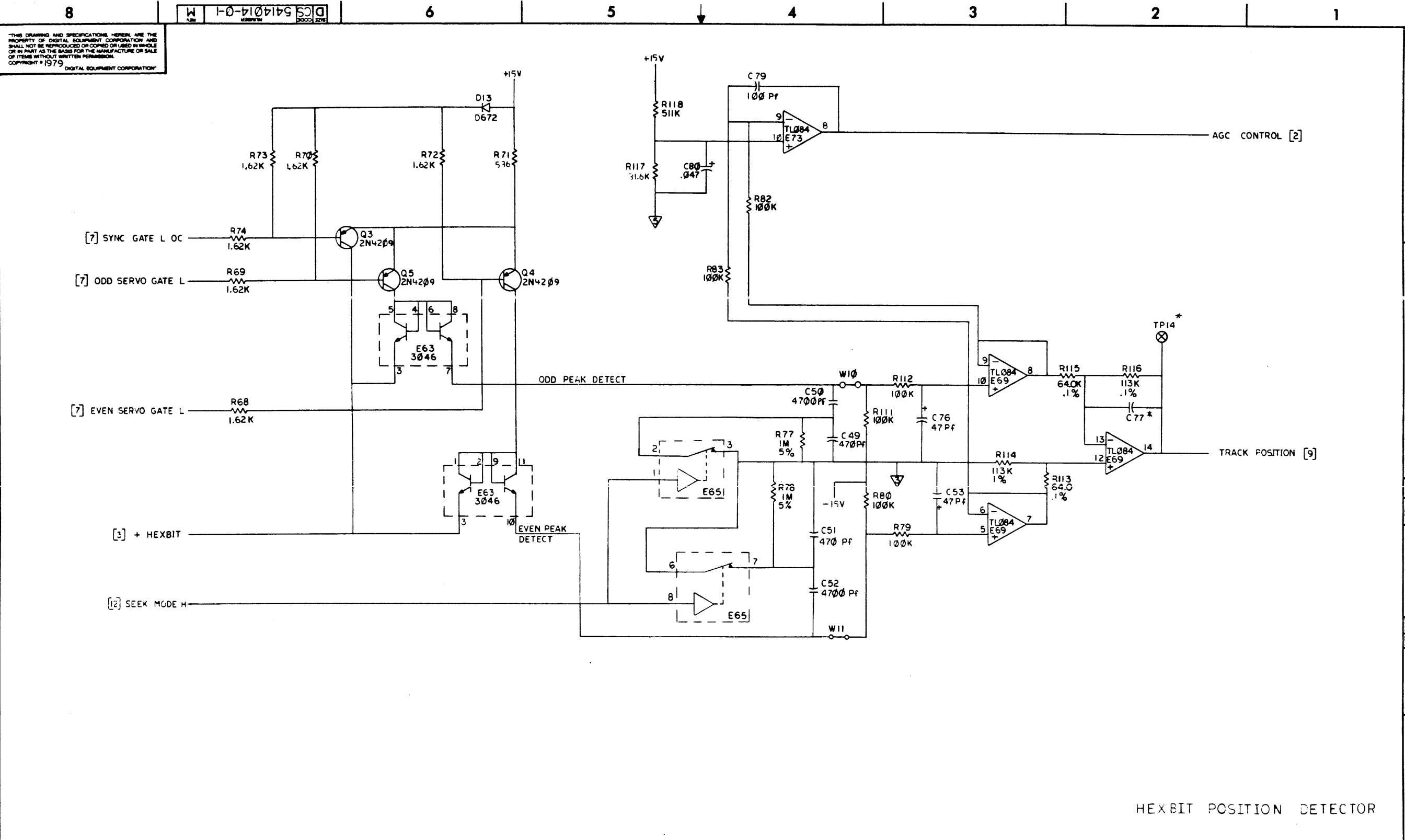


| REVISION HISTORY |            |      |
|------------------|------------|------|
| DATE             | ECD NUMBER | REV. |
|                  |            |      |

| DOCUMENT NUMBER |               |      |
|-----------------|---------------|------|
| SIZE CODE       | NUMBER        | REV. |
| DCS             | 5414014-0-1   | M    |
| SCALE           | SHEET 3 OF 18 |      |

TITLE SERVO CONTROL (SV3)

DCS 5414014-0-1



THIS DRAWING AND SPECIFICATIONS HEREBY ARE THE PROPERTY OF DIGITAL EQUIPMENT CORPORATION AND SHALL NOT BE REPRODUCED OR COPIED OR USED IN WHOLE OR IN PART AS THE BASIS FOR THE MANUFACTURE OR SALE OF ITEMS WITHOUT WRITTEN PERMISSION. COPYRIGHT © 1979 DIGITAL EQUIPMENT CORPORATION

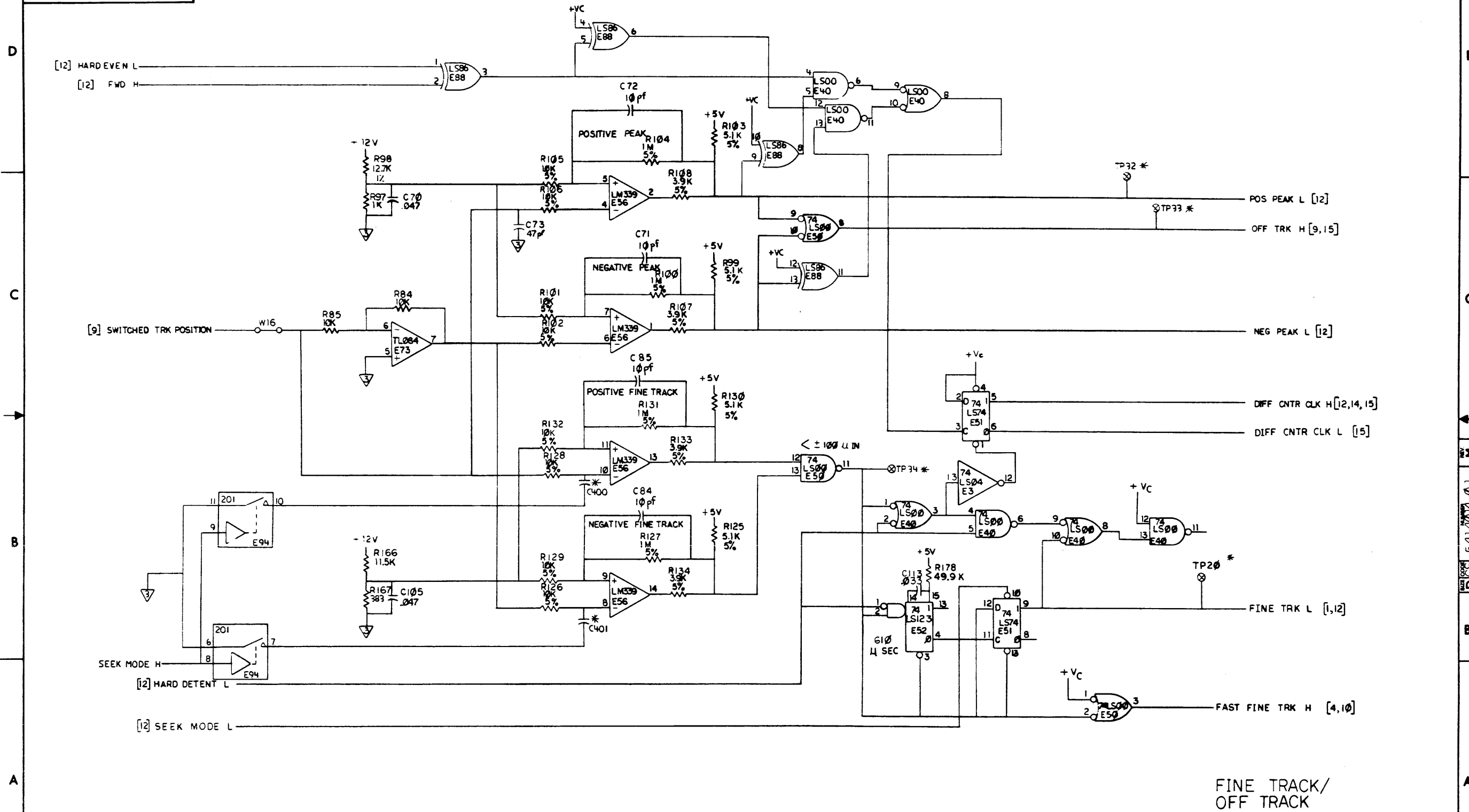
| REVISION HISTORY |            |     |
|------------------|------------|-----|
| DATE             | ECO NUMBER | REV |
|                  |            |     |

TITLE SERVO CONTROL (SV4)

| DOCUMENT NUMBER |             |     |
|-----------------|-------------|-----|
| SIZE CODE       | NUMBER      | REV |
| DCS             | 5414014-0-1 | M   |

SCALE SHEET 4 OF 18

THIS DRAWING AND SPECIFICATIONS, HEREIN, ARE THE PROPERTY OF DIGITAL EQUIPMENT CORPORATION AND SHALL NOT BE REPRODUCED OR COPIED OR USED IN WHOLE OR IN PART AS THE BASIS FOR THE MANUFACTURE OR SALE OF ITEMS WITHOUT WRITTEN PERMISSION. COPYRIGHT © 1973, DIGITAL EQUIPMENT CORPORATION.

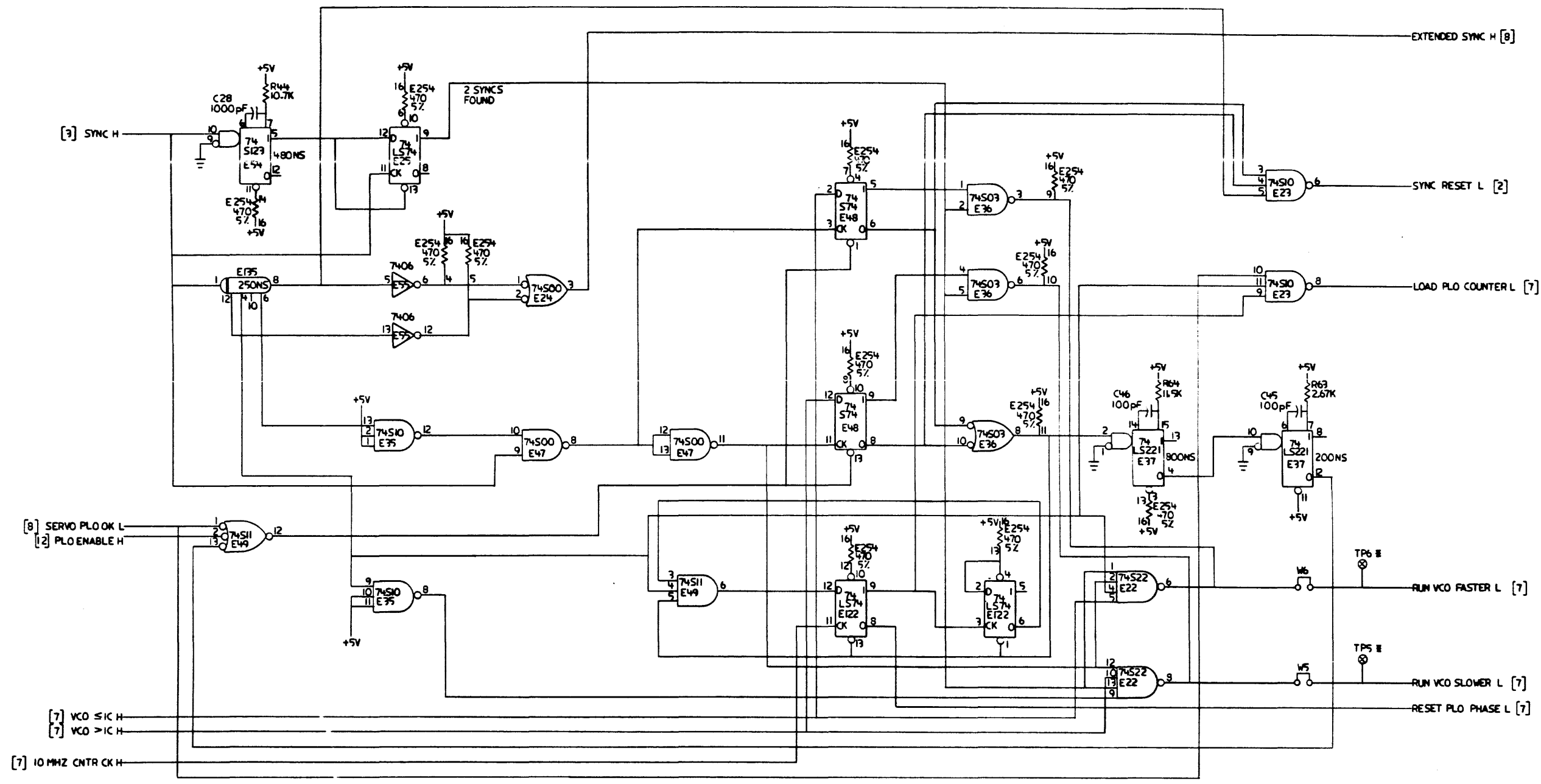


FINE TRACK/  
OFF TRACK

| REVISION HISTORY |            |      |
|------------------|------------|------|
| DATE             | ECO NUMBER | REV. |
|                  |            |      |

|                     |  |                 |               |
|---------------------|--|-----------------|---------------|
| TITLE               |  | DOCUMENT NUMBER |               |
| SERVO CONTROL (SV5) |  | SIZE CODE       | NUMBER        |
|                     |  | D CS            | 5414014-0-1   |
|                     |  | SCALE           | SHEET 5 OF 18 |

THIS DRAWING AND SPECIFICATIONS HEREBY ARE THE PROPERTY OF DIGITAL EQUIPMENT CORPORATION AND SHALL NOT BE REPRODUCED OR COPIED OR USED IN WHOLE OR IN PART AS THE BASIS FOR THE MANUFACTURE OR SALE OF ITEMS WITHOUT WRITTEN PERMISSION. COPYRIGHT © 1982 DIGITAL EQUIPMENT CORPORATION



PHASE DETECTOR

| REVISION HISTORY |            |      |
|------------------|------------|------|
| DATE             | ECO NUMBER | REV. |
|                  |            |      |

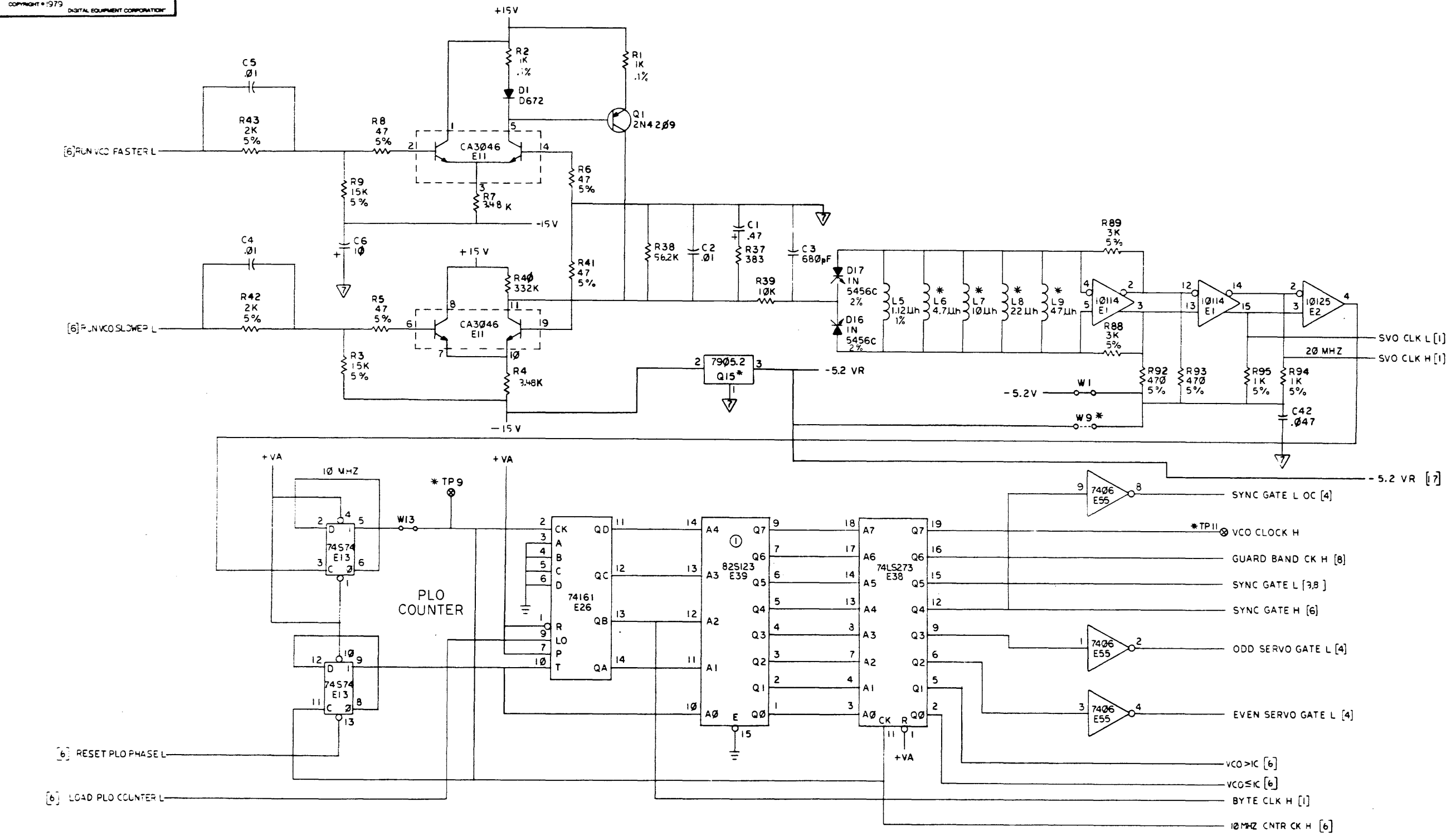
TITLE  
SERVO CONTROL

| DOCUMENT NUMBER |      |               |      |
|-----------------|------|---------------|------|
| SIZE            | CODE | NUMBER        | REV. |
| DCS             |      | 5414014-0-1   | M    |
| SCALE           |      | SHEET 6 OF 18 |      |

DCS 5414014-0-1 M



THIS DRAWING AND SPECIFICATIONS HEREIN ARE THE PROPERTY OF DIGITAL EQUIPMENT CORPORATION AND SHALL NOT BE REPRODUCED OR COPIED OR USED IN WHOLE OR IN PART AS THE BASIS FOR THE MANUFACTURE OR SALE OF ITEMS WITHOUT WRITTEN PERMISSION.  
 COPYRIGHT © 1979  
 DIGITAL EQUIPMENT CORPORATION



| REVISION HISTORY |            |     |
|------------------|------------|-----|
| DATE             | ECO NUMBER | REV |
|                  |            |     |

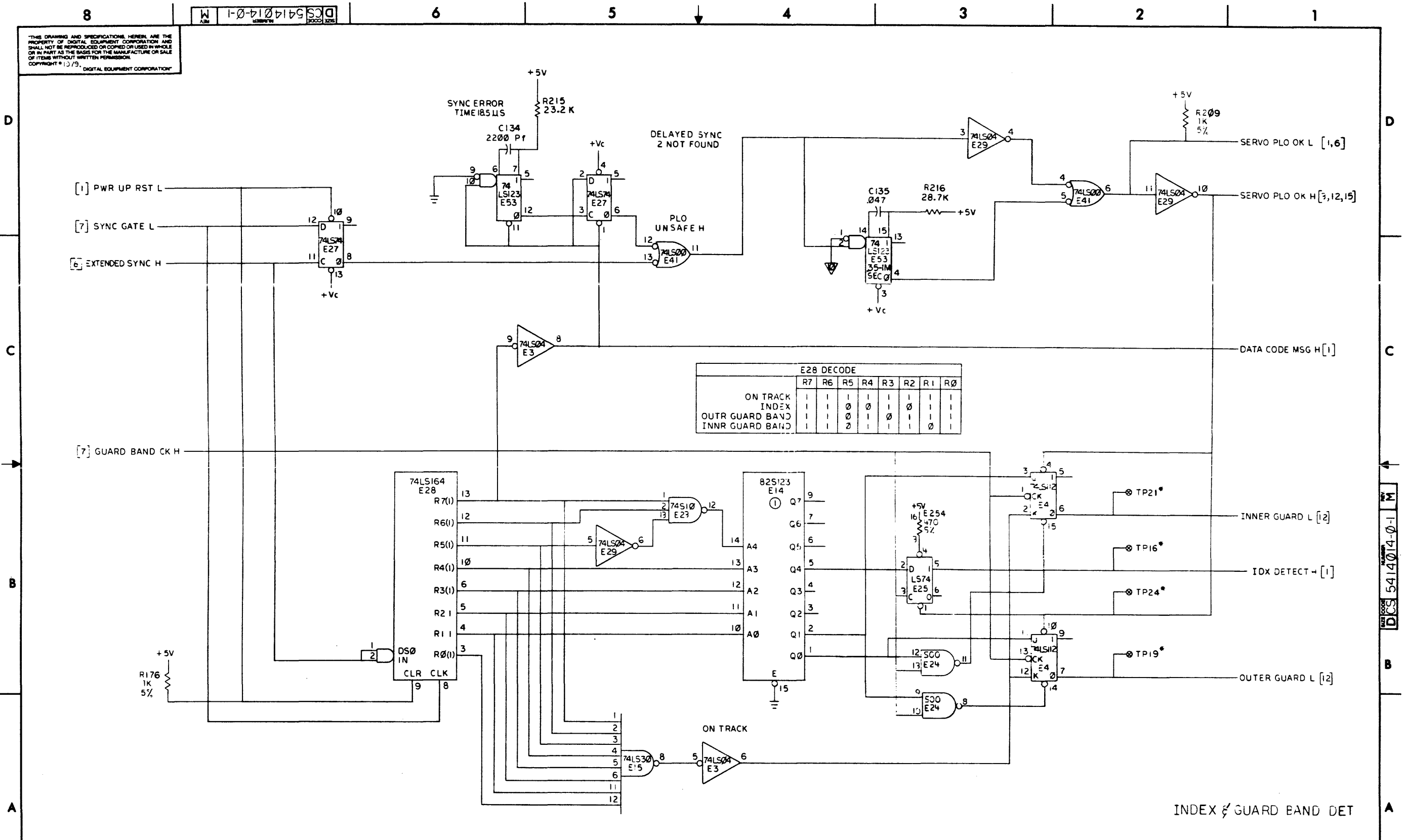
TITLE SERVO CONTROL (SV7)

| DOCUMENT NUMBER |             |              |      |
|-----------------|-------------|--------------|------|
| SIZE            | CODE        | NUMBER       | REV. |
| DCS             | 5414014-0-1 | M            |      |
| SCALE           |             | SHEET 7 OF 8 |      |

VCO & GATING

DCS 5414014-0-1 M

THIS DRAWING AND SPECIFICATIONS HEREIN ARE THE PROPERTY OF DIGITAL EQUIPMENT CORPORATION AND SHALL NOT BE REPRODUCED OR COPIED OR USED IN WHOLE OR IN PART AS THE BASIS FOR THE MANUFACTURE OR SALE OF ITEMS WITHOUT WRITTEN PERMISSION. COPYRIGHT © 1979, DIGITAL EQUIPMENT CORPORATION.



| REVISION HISTORY |            |      |
|------------------|------------|------|
| DATE             | ECO NUMBER | REV. |
|                  |            |      |

TITLE: SERVO CONTROL (SV8)

DOCUMENT NUMBER: DCS 5414014-0-1 M

SCALE: SHEET 3 OF 18

DCS 5414014-0-1 M

8

W 1-0-14014-0-1 M

6

5

4

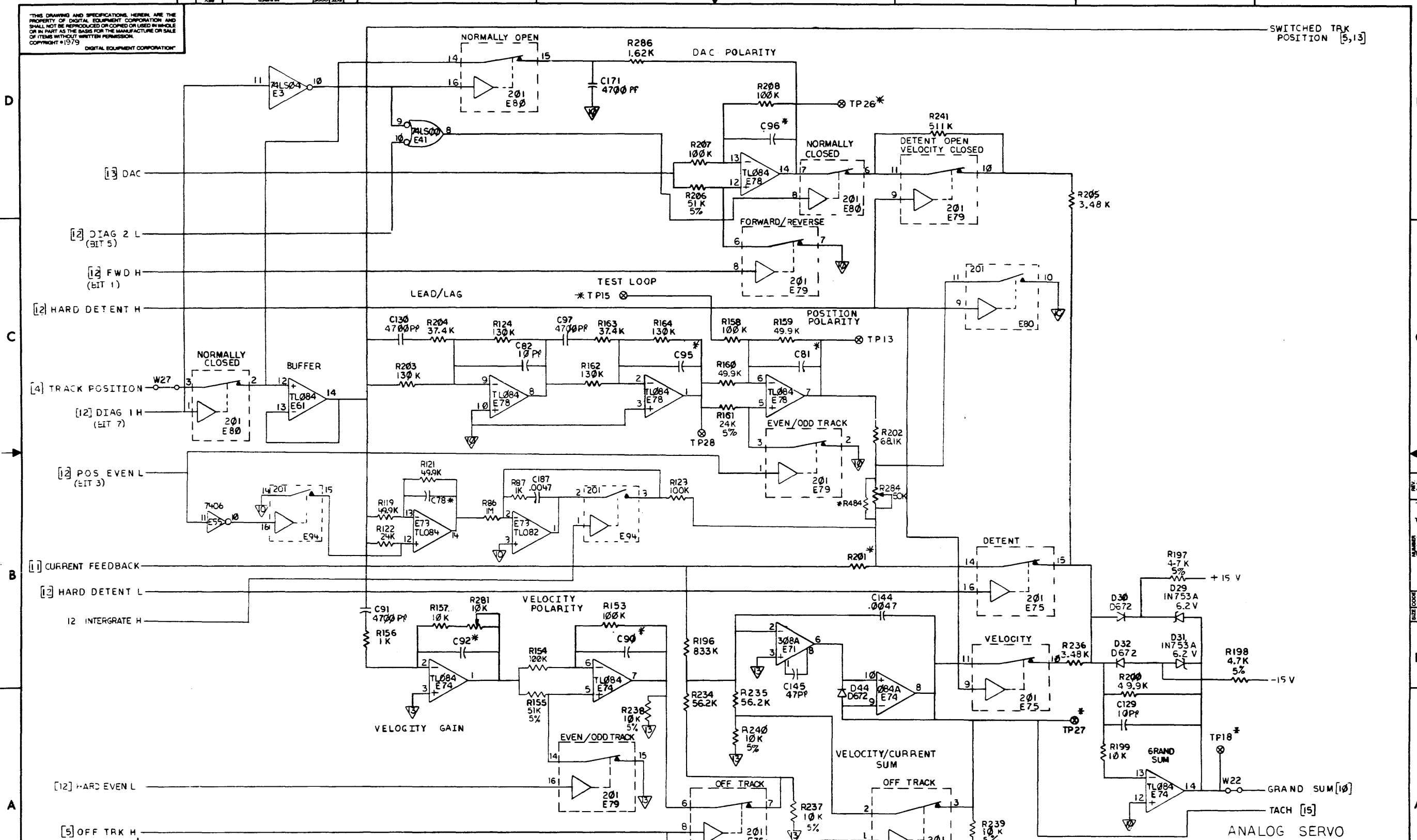
3

2

1

THIS DRAWING AND SPECIFICATIONS HEREBY ARE THE PROPERTY OF DIGITAL EQUIPMENT CORPORATION AND SHALL NOT BE REPRODUCED OR COPIED OR USED IN WHOLE OR IN PART AS THE BASIS FOR THE MANUFACTURE OR SALE OF ITEMS WITHOUT WRITTEN PERMISSION. COPYRIGHT © 1979 DIGITAL EQUIPMENT CORPORATION

SWITCHED TRK POSITION [5,13]



| REVISION HISTORY |            |      |
|------------------|------------|------|
| DATE             | ECO NUMBER | REV. |
|                  |            |      |

TITLE: SERVO CONTROL (SV9)

| DOCUMENT NUMBER |      |             |       |
|-----------------|------|-------------|-------|
| SIZE            | CODE | NUMBER      | REV.  |
| D               | C    | 5414014-0-1 | M     |
| SCALE           |      | SHEET       | OF 18 |
|                 |      | 9           | 18    |

ORD 137A

8

7

6

5

4

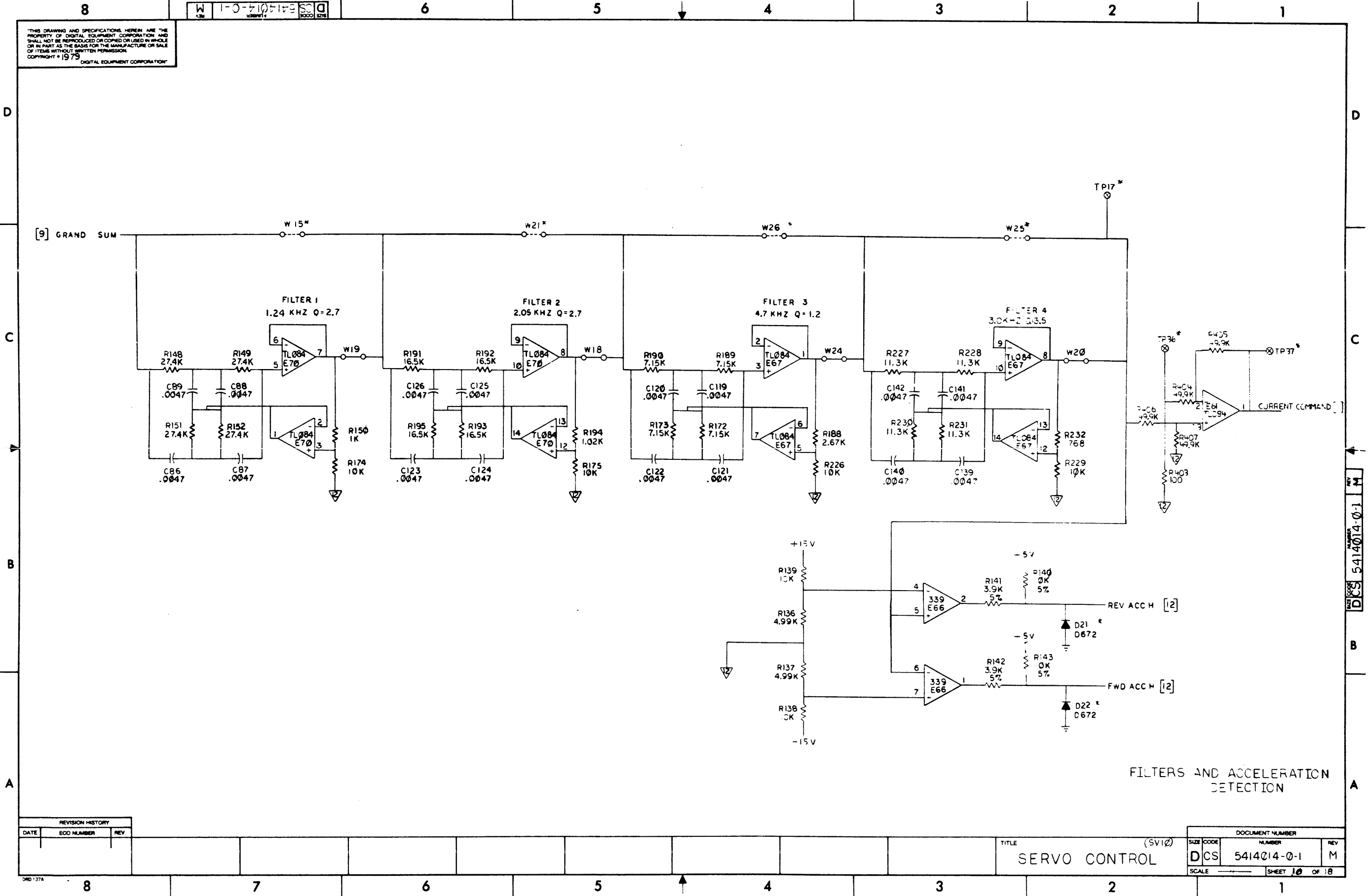
3

2

1

DCS 5414014-0-1 M

THIS DRAWING AND SPECIFICATIONS HEREIN ARE THE PROPERTY OF DIGITAL EQUIPMENT CORPORATION AND SHALL NOT BE REPRODUCED OR COPIED OR USED IN WHOLE OR IN PART AS THE BASIS FOR THE MANUFACTURE OR SALE OF ITEMS WITHOUT WRITTEN PERMISSION.  
 COPYRIGHT © 1979  
 DIGITAL EQUIPMENT CORPORATION



FILTERS AND ACCELERATION DETECTION

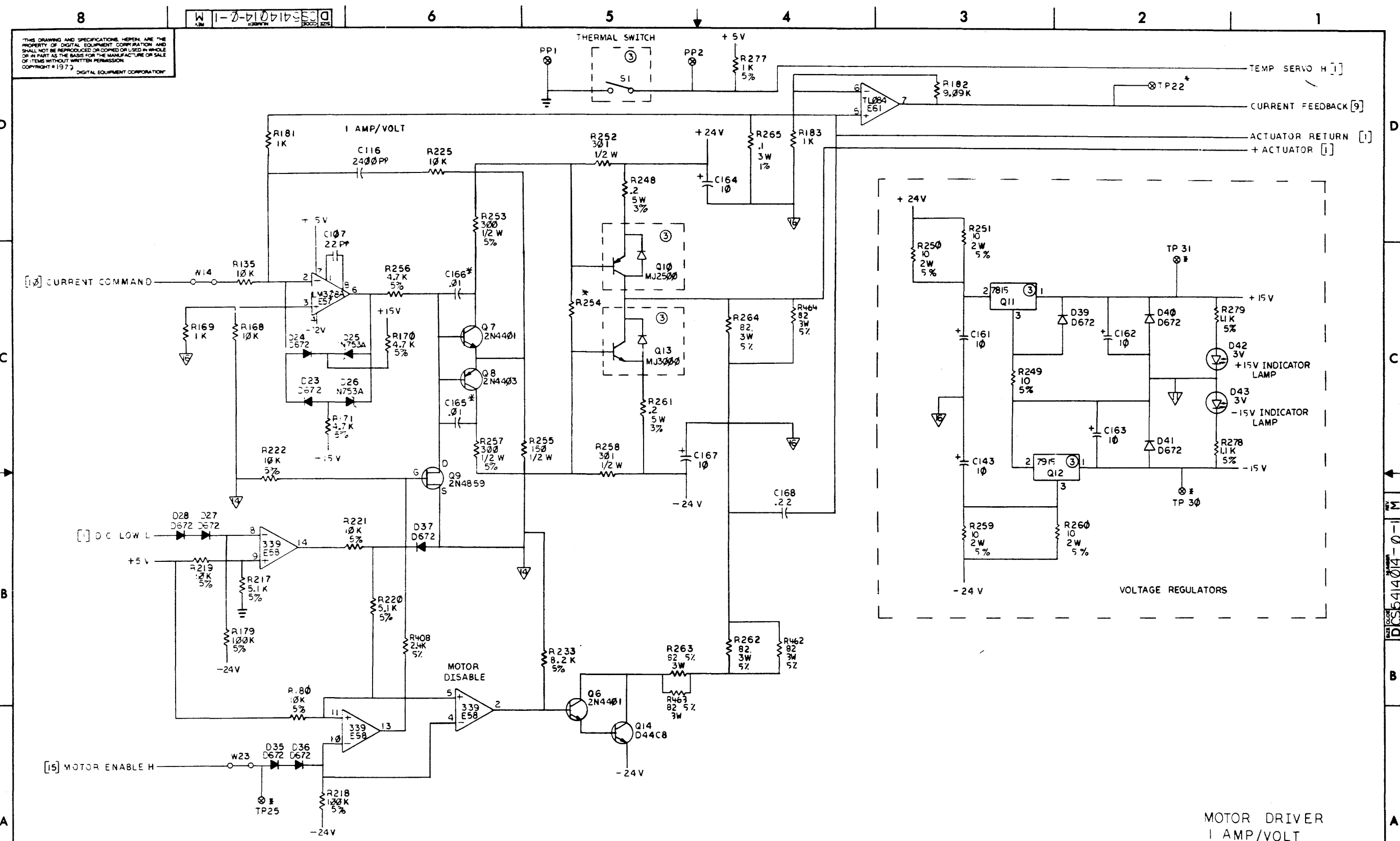
| REVISION HISTORY |            |     |
|------------------|------------|-----|
| DATE             | ECC NUMBER | REV |
|                  |            |     |

TITLE (SV12)  
 SERVO CONTROL

| DOCUMENT NUMBER |                |     |
|-----------------|----------------|-----|
| SIZE CODE       | NUMBER         | REV |
| DCS             | 5414014-0-1    | M   |
| SCALE           | SHEET 10 OF 18 |     |

DCS 5414014-0-1 M

THIS DRAWING AND SPECIFICATIONS HEREIN ARE THE PROPERTY OF DIGITAL EQUIPMENT CORPORATION AND SHALL NOT BE REPRODUCED OR COPIED OR USED IN WHOLE OR IN PART AS THE BASIS FOR THE MANUFACTURE OR SALE OF ITEMS WITHOUT WRITTEN PERMISSION. COPYRIGHT © 1973 DIGITAL EQUIPMENT CORPORATION

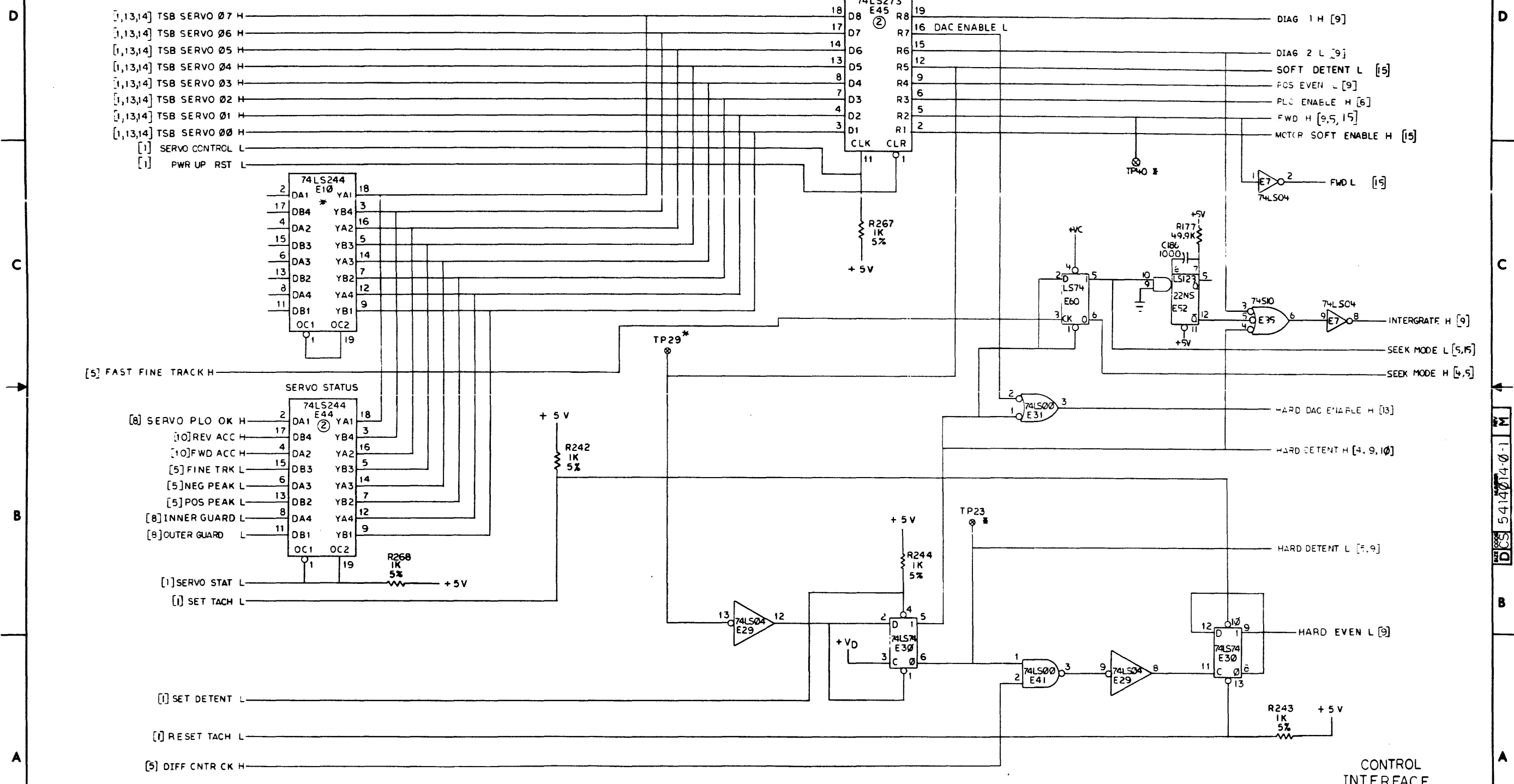


MOTOR DRIVER  
1 AMP/VOLT

| REVISION HISTORY |            |     | DOCUMENT NUMBER |                |     |
|------------------|------------|-----|-----------------|----------------|-----|
| DATE             | ECC NUMBER | REV | SIZE CODE       | NUMBER         | REV |
|                  |            |     | D               | CS 5414014-0-1 | M   |
|                  |            |     | SCALE           | SHEET 11 OF 8  |     |

TITLE (SV 1)  
SERVO CONTROL

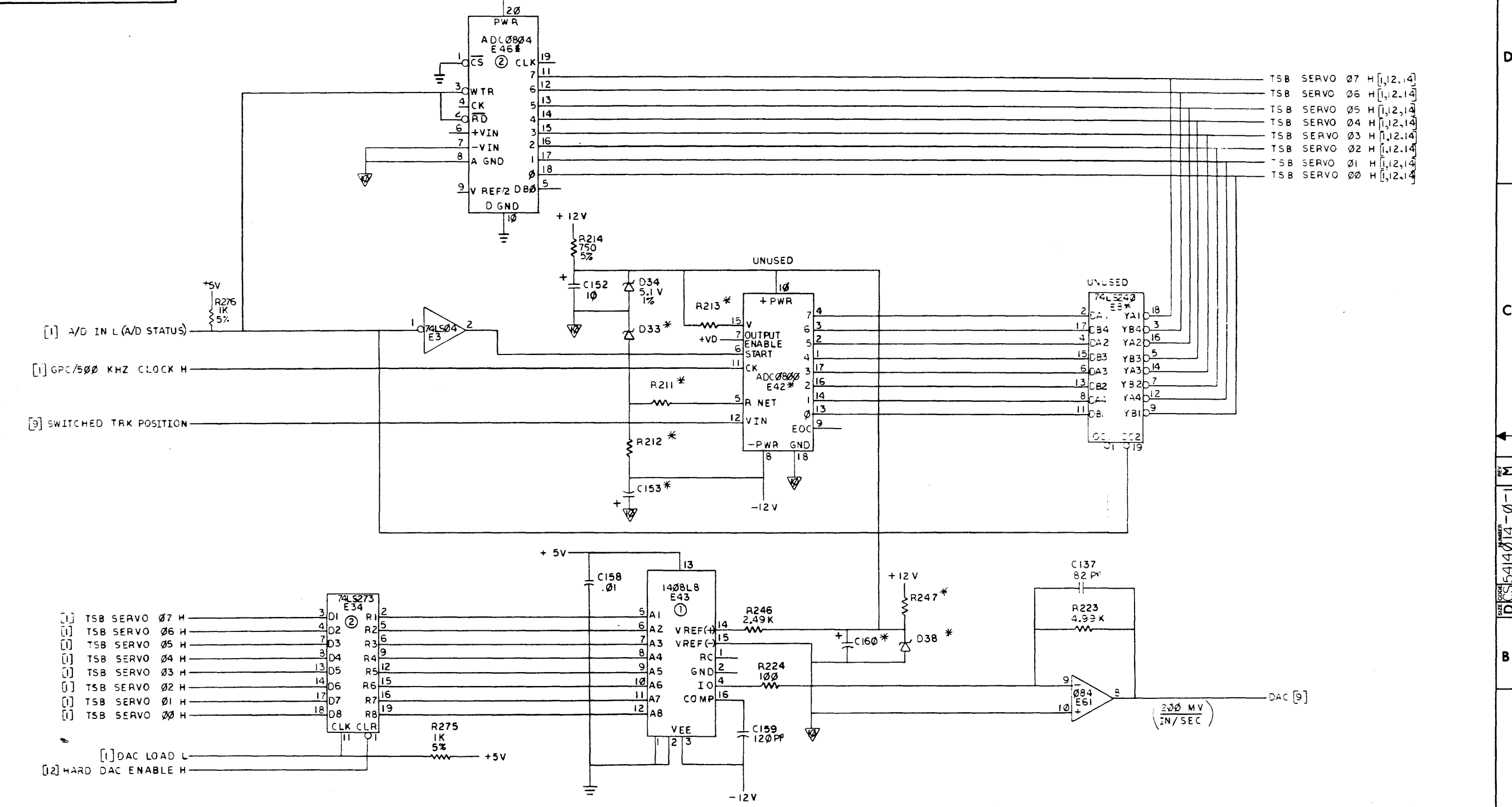
THIS DRAWING AND SPECIFICATIONS HEREIN ARE THE PROPERTY OF DIGITAL EQUIPMENT CORPORATION AND SHALL NOT BE REPRODUCED OR COPIED OR USED IN WHOLE OR IN PART AS THE BASIS FOR THE MANUFACTURE OR SALE OF ITEMS WITHOUT WRITTEN PERMISSION. COPYRIGHT © 1979 DIGITAL EQUIPMENT CORPORATION



| REVISION HISTORY |            |     |
|------------------|------------|-----|
| DATE             | ECC NUMBER | REV |
|                  |            |     |

|               |        |                |      |                 |      |
|---------------|--------|----------------|------|-----------------|------|
| TITLE         | (SV12) | SIZE           | CODE | DOCUMENT NUMBER | REV. |
| SERVO CONTROL |        | D              | CS   | 5414014-0-1     | M    |
| SCALE         |        | SHEET 12 OF 18 |      |                 |      |

THIS DRAWING AND SPECIFICATIONS HEREIN ARE THE PROPERTY OF DIGITAL EQUIPMENT CORPORATION AND SHALL NOT BE REPRODUCED OR COPIED OR USED IN WHOLE OR IN PART AS THE BASIS FOR THE MANUFACTURE OR SALE OF ITEMS WITHOUT WRITTEN PERMISSION.  
COPYRIGHT © 1977 DIGITAL EQUIPMENT CORPORATION

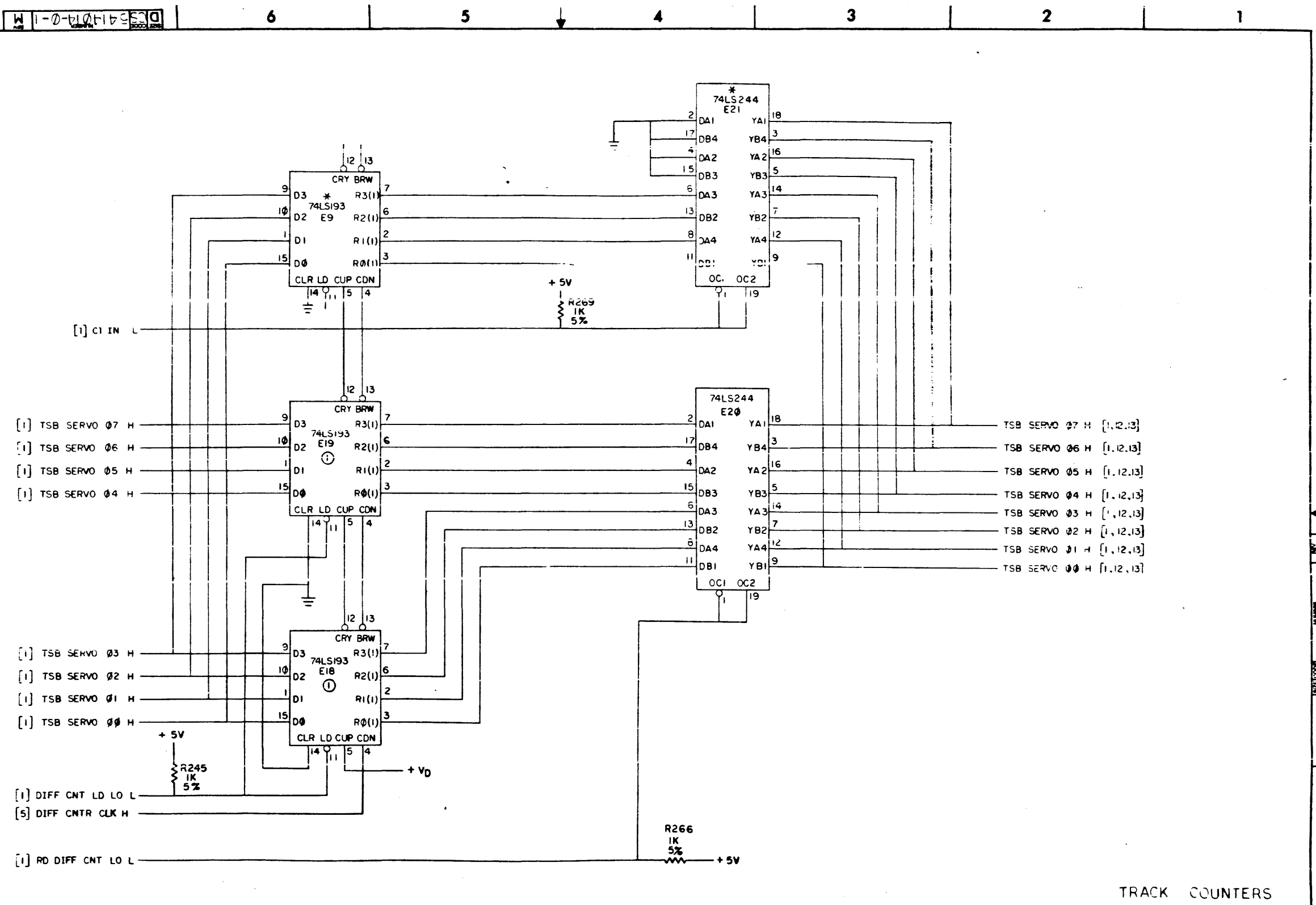


DAC AND A/D

| REVISION HISTORY |            |     | DOCUMENT NUMBER |              |     |
|------------------|------------|-----|-----------------|--------------|-----|
| DATE             | ECO NUMBER | REV | SIZE CODE       | NUMBER       | REV |
|                  |            |     | DCS             | 5414014-0-1  | M   |
|                  |            |     | SCALE           | SHEET 3 OF 8 |     |

TITLE: SERVO CONTROL (SV13)

THIS DRAWING AND SPECIFICATIONS HEREIN ARE THE PROPERTY OF DIGITAL EQUIPMENT CORPORATION AND SHALL NOT BE REPRODUCED OR COPIED OR USED IN WHOLE OR IN PART AS THE BASIS FOR THE MANUFACTURE OR SALE OF ITEMS WITHOUT WRITTEN PERMISSION. COPYRIGHT © 1970 DIGITAL EQUIPMENT CORPORATION.



TRACK COUNTERS

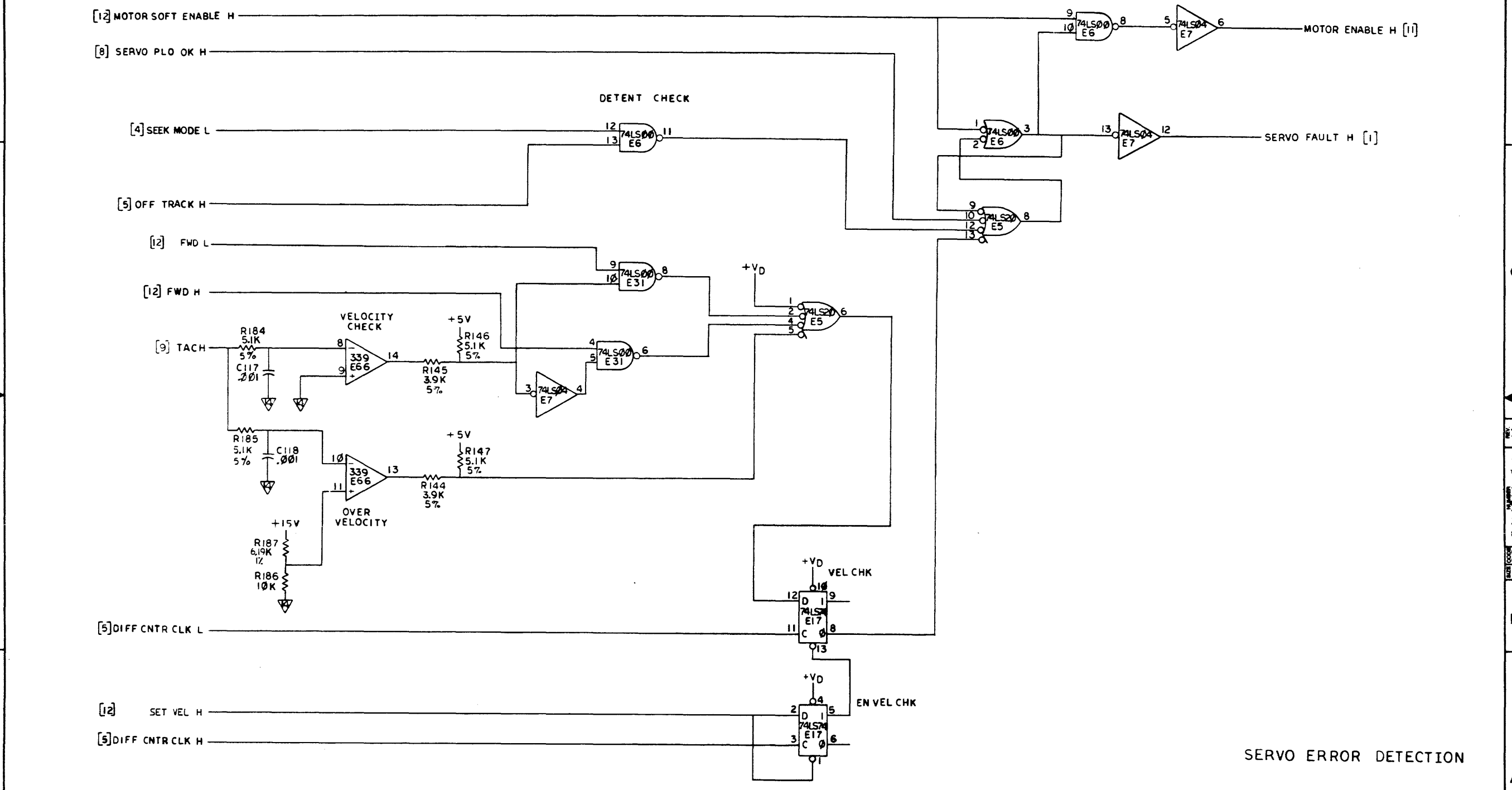
| REVISION HISTORY |            |      |
|------------------|------------|------|
| DATE             | ECO NUMBER | REV. |
|                  |            |      |

TITLE (SV14)  
SERVO CONTROL

| DOCUMENT NUMBER |                |      |
|-----------------|----------------|------|
| SIZE CODE       | NUMBER         | REV. |
| DCS             | 5414014-0-1    | M    |
| SCALE           | SHEET 14 OF 18 |      |



THIS DRAWING AND SPECIFICATIONS HEREIN ARE THE PROPERTY OF DIGITAL EQUIPMENT CORPORATION AND SHALL NOT BE REPRODUCED OR COPIED OR USED IN WHOLE OR IN PART AS THE BASIS FOR THE MANUFACTURE OR SALE OF ITEMS WITHOUT WRITTEN PERMISSION.  
 COPYRIGHT © 1979 DIGITAL EQUIPMENT CORPORATION



SERVO ERROR DETECTION

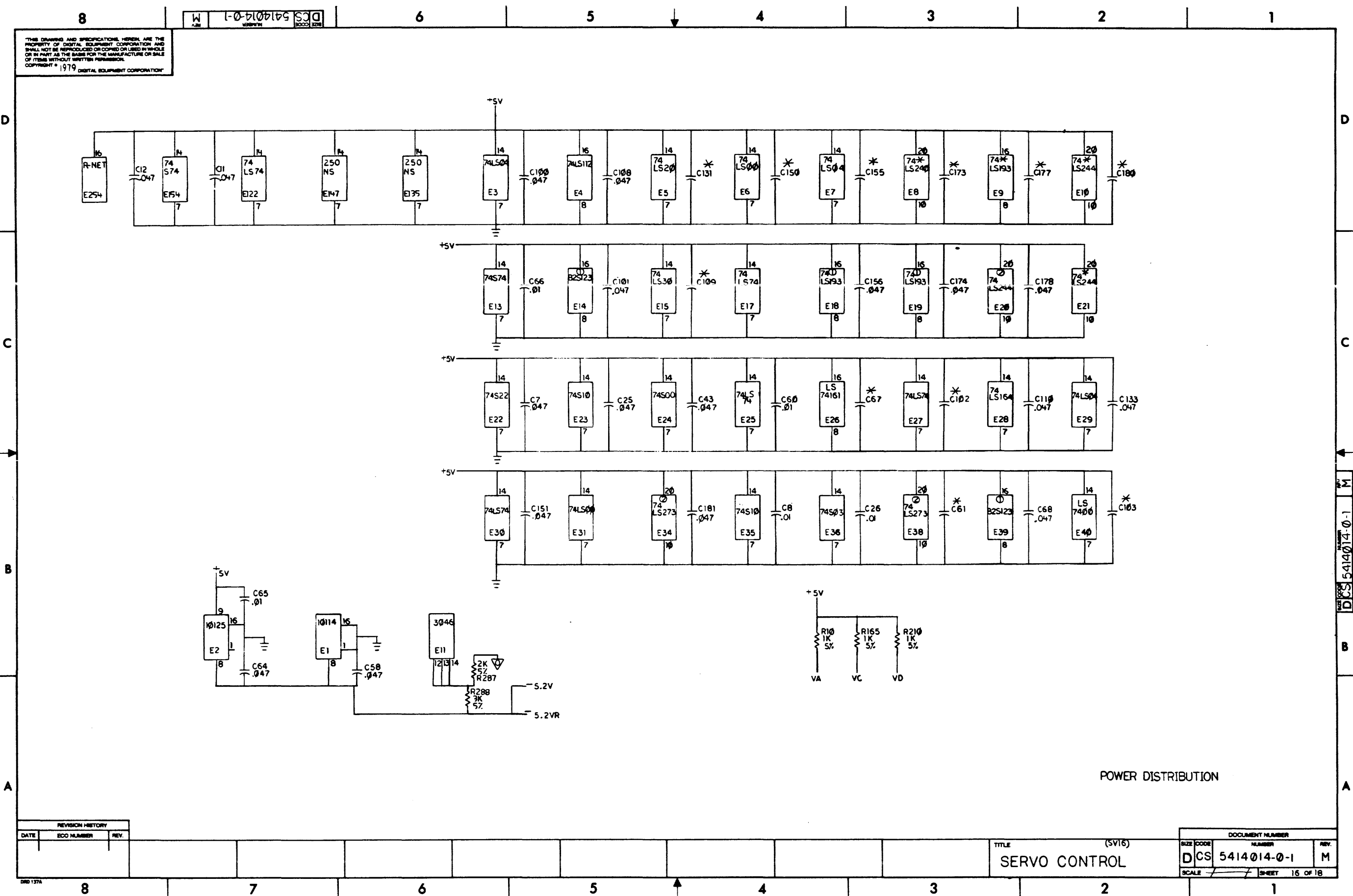
| REVISION HISTORY |            |      |
|------------------|------------|------|
| DATE             | ECO NUMBER | REV. |
|                  |            |      |

TITLE: SERVO CONTROL (SV15)

| DOCUMENT NUMBER |      |                |      |
|-----------------|------|----------------|------|
| SIZE            | CODE | NUMBER         | REV. |
| D               | CS   | 5414014-0-1    | M    |
| SCALE           |      | SHEET 15 OF 18 |      |

DCS 5414014-0-1 M

THIS DRAWING AND SPECIFICATIONS HEREIN ARE THE PROPERTY OF DIGITAL EQUIPMENT CORPORATION AND SHALL NOT BE REPRODUCED OR COPIED OR USED IN WHOLE OR IN PART AS THE BASIS FOR THE MANUFACTURE OR SALE OF ITEMS WITHOUT WRITTEN PERMISSION.  
 COPYRIGHT © 1979 DIGITAL EQUIPMENT CORPORATION



| REVISION HISTORY |            |      |
|------------------|------------|------|
| DATE             | ECO NUMBER | REV. |
|                  |            |      |

TITLE (SV16)  
 SERVO CONTROL

| DOCUMENT NUMBER |                |      |
|-----------------|----------------|------|
| SIZE CODE       | NUMBER         | REV. |
| DCS             | 5414014-0-1    | M    |
| SCALE           | SHEET 15 OF 18 |      |

DCS 5414014-0-1 M

8

DCS 5414014-0-1

6

5

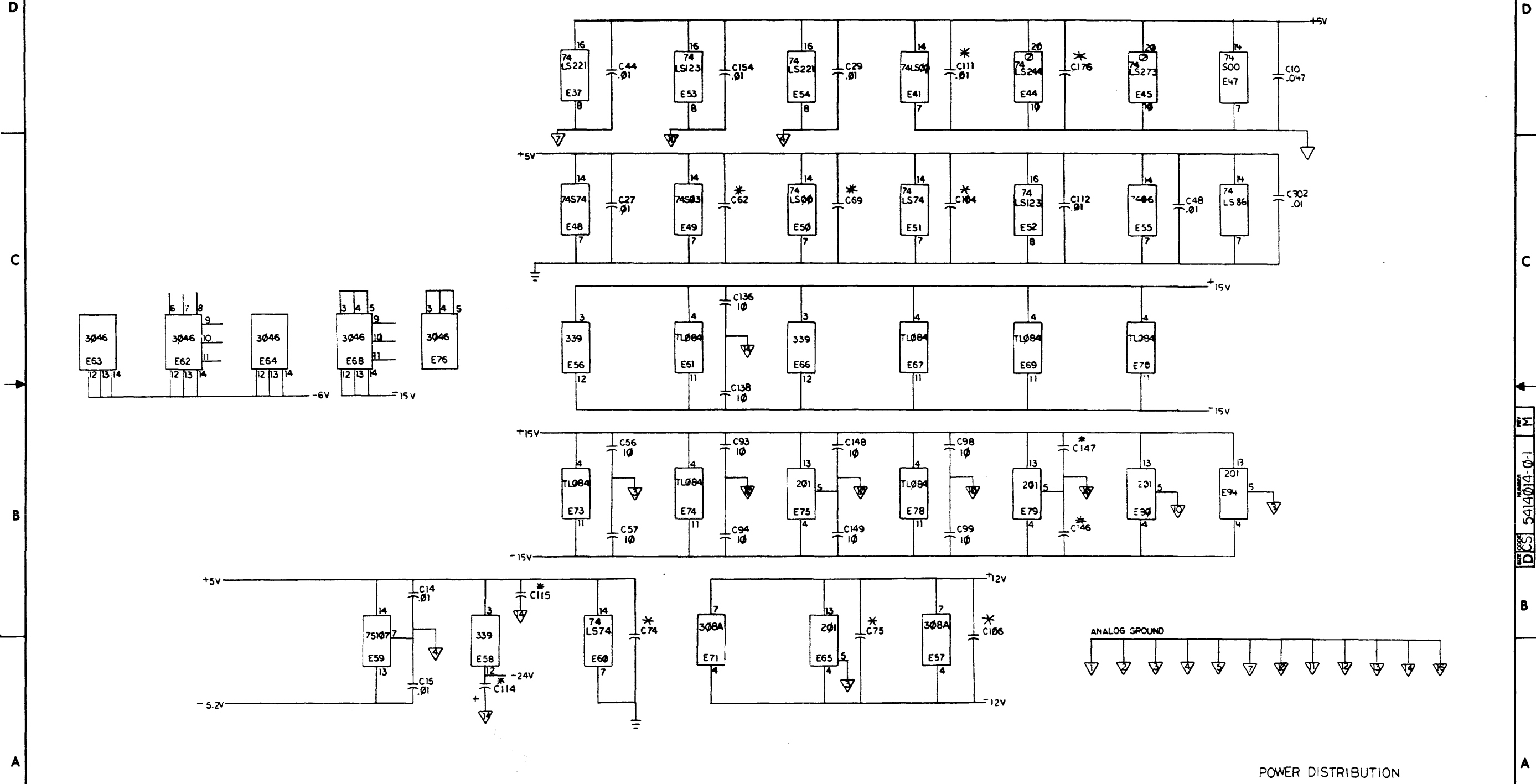
4

3

2

1

THIS DRAWING AND SPECIFICATIONS HEREIN ARE THE PROPERTY OF DIGITAL EQUIPMENT CORPORATION AND SHALL NOT BE REPRODUCED OR COPIED OR USED IN WHOLE OR IN PART AS THE BASIS FOR THE MANUFACTURE OR SALE OF ITEMS WITHOUT WRITTEN PERMISSION. COPYRIGHT © 1979 DIGITAL EQUIPMENT CORPORATION.



POWER DISTRIBUTION

| REVISION HISTORY |            |     |
|------------------|------------|-----|
| DATE             | ECC NUMBER | REV |
|                  |            |     |

TITLE (SV17)  
SERVO CONTROL

| DOCUMENT NUMBER |             |          |
|-----------------|-------------|----------|
| SIZE CODE       | NUMBER      | REV      |
| DCS             | 5414014-0-1 | M        |
| SCALE           | SHEET       | 17 OF 18 |

3RD 137A

8

7

6

5

4

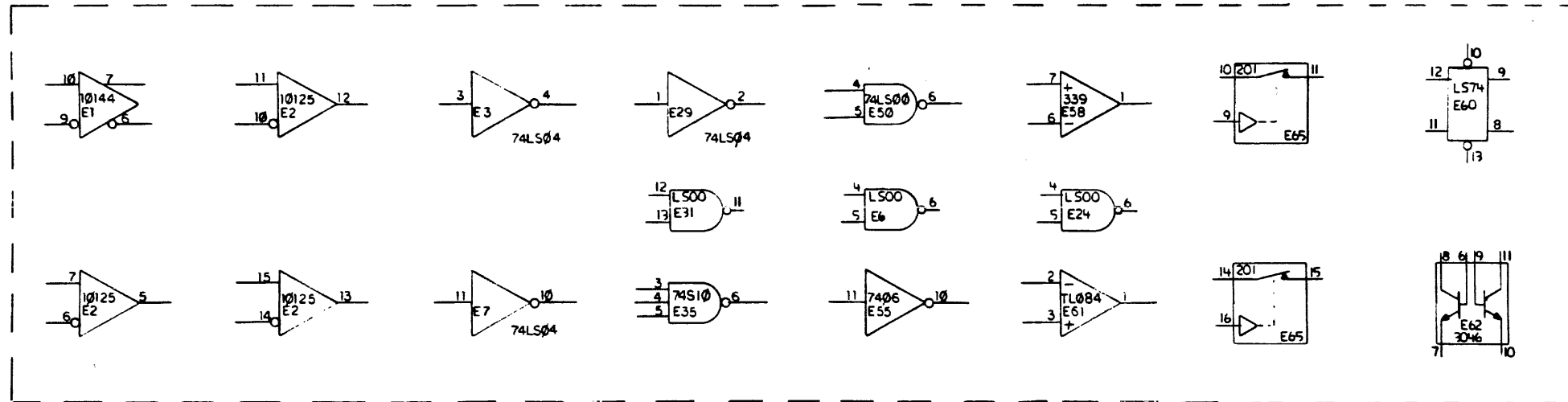
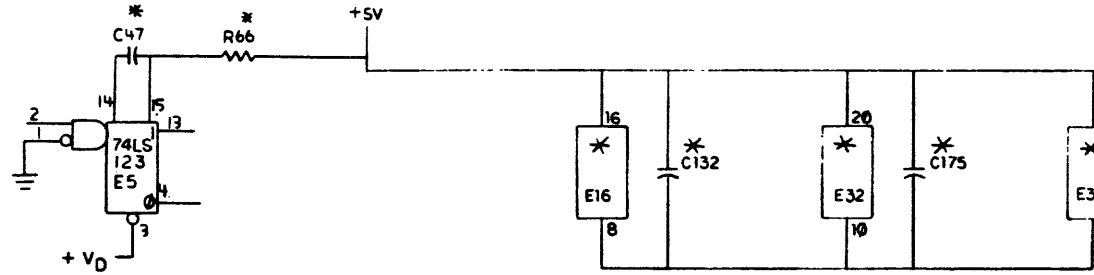
3

2

1

8 | 6 | 5 | 4 | 3 | 2 | 1

THIS DRAWING AND SPECIFICATIONS HEREBY ARE THE PROPERTY OF DIGITAL EQUIPMENT CORPORATION AND SHALL NOT BE REPRODUCED OR COPIED OR USED IN WHOLE OR IN PART AS THE BASIS FOR THE MANUFACTURE OR SALE OF ITEMS WITHOUT WRITTEN PERMISSION.  
COPYRIGHT © 1979 DIGITAL EQUIPMENT CORPORATION



SPARES

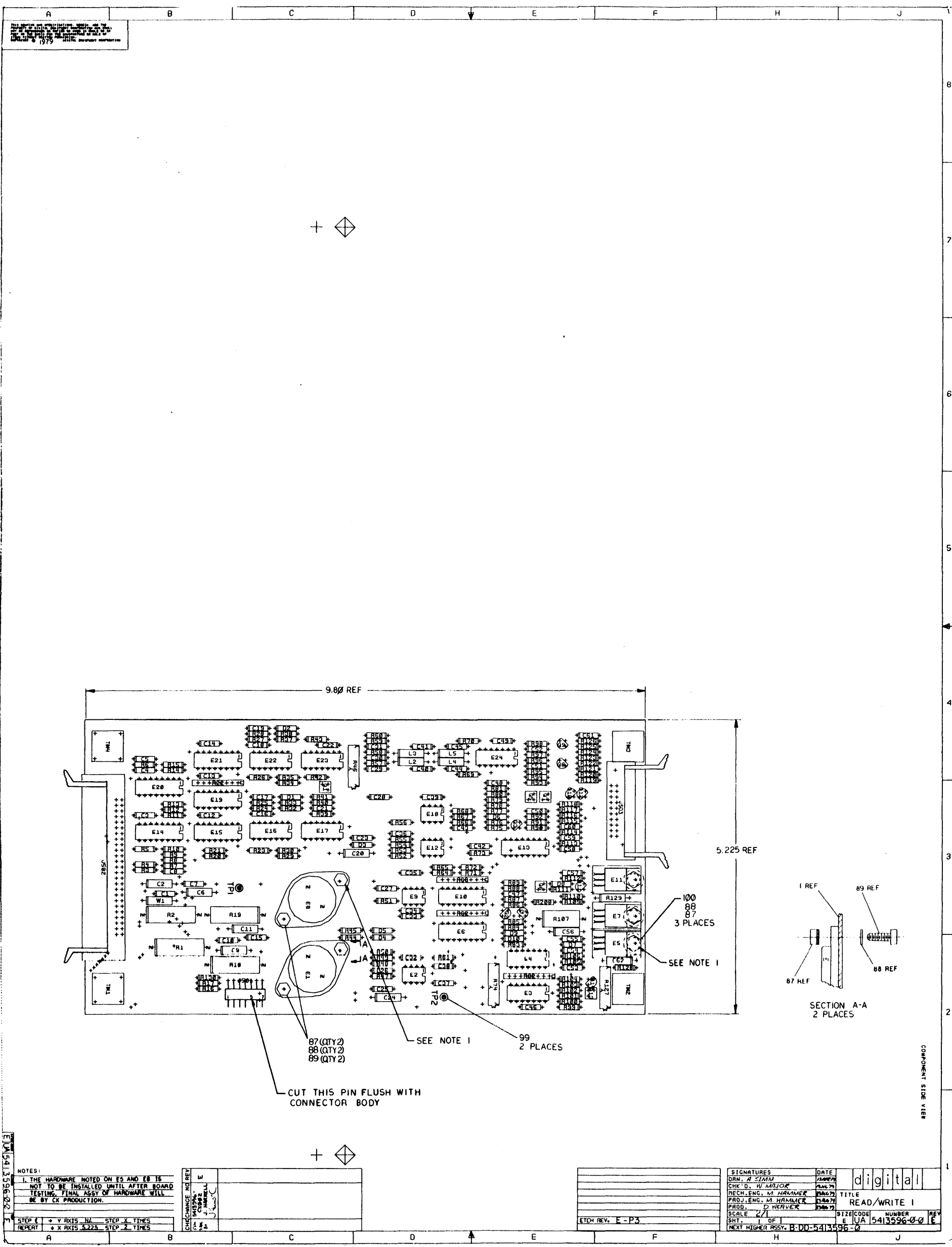
| REVISION HISTORY |            |      |
|------------------|------------|------|
| DATE             | ECO NUMBER | REV. |
|                  |            |      |
|                  |            |      |

TITLE (SV18)  
SERVO CONTROL

| DOCUMENT NUMBER |             |                |
|-----------------|-------------|----------------|
| SIZE CODE       | NUMBER      | REV.           |
| D CS            | 5414014-0-1 | M              |
| SCALE           | #           | SHEET 18 OF 18 |

8 | 7 | 6 | 5 | 4 | 3 | 2 | 1

DCS 5414014-0-1 M



ALL DIMENSIONS UNLESS OTHERWISE SPECIFIED ARE IN INCHES AND DECIMALS THEREOF.  
 THIS DRAWING IS THE PROPERTY OF DIGITAL EQUIPMENT CORPORATION  
 1979

NOTES:  
 1. THE HARDWARE NOTED ON E5 AND E8 IS NOT TO BE INSTALLED UNTIL AFTER BOARD TESTING. FINAL ASSY OF HARDWARE WILL BE BY CX PRODUCTION.

|        |        |       |              |
|--------|--------|-------|--------------|
| STEP # | Y AXIS | NO    | STEP X TIMES |
| REPEAT | X AXIS | 5.225 | STEP 2 TIMES |

|           |     |      |    |
|-----------|-----|------|----|
| CHANGE NO | REV | DATE | BY |
| 1         | E   |      |    |
| 2         |     |      |    |
| 3         |     |      |    |
| 4         |     |      |    |

|               |
|---------------|
| ETCH REV. E-3 |
|               |
|               |
|               |

|                                  |           |              |
|----------------------------------|-----------|--------------|
| SIGNATURES                       | DATE      | TITLE        |
| DRN. A SIMM                      | 1/20/79   | digital      |
| CHK'D. W. MAJOR                  | 1/24/79   |              |
| DESG. ENG. M. HAMMER             | 1/24/79   | READ/WRITE 1 |
| PROJ. ENG. M. HAMMER             | 1/24/79   |              |
| PROD. D. HERVEY                  | 1/24/79   |              |
| SCALE 2/1                        | SIZE CODE | NUMBER       |
| SHT. 1 OF 1                      | E 1UA     | 5413596-0    |
| NEXT HIGHER ASSY. B-DD-5413596-0 | REV       | E            |

COMPONENT SIDE VIEW

| LINE | ITEM | TOP DOCUMENT | PART NUMBER | MIN REV | DESCRIPTION                      | QTY | PER VARIATION | REFERENCE DESIGNATOR   |
|------|------|--------------|-------------|---------|----------------------------------|-----|---------------|--|
|      |      |              |             |         |                                  | 00  |               |  |
| 1    | 1    |              | 5013595-00  |         | DRILL & ETCH BD                  | 1   |               |  |
| 2    | 2    |              | 1013466-30  |         | 560.0 MMF 50V 5% CER             | 1   |               | C54  |
| 3    | 3    |              | 1214434-00  |         | PCB,HEADER 07PIN(1X06).100CC 90D | 1   |               | J501   |
| 4    | 4    |              | 1916543-00  |         | 7806 VOLT REG, FIX +6V           | 1   |               | E11  |
| 5    | 5    |              | 1916574-00  |         | 10114 RECEIVER,LINE,TRIPL        | 3   |               | E14,E15,E21  |
| 6    | 6    |              | 1013466-13  |         | 39.0 MMF 50V 5% CER              | 3   |               | C4,C44,C45   |
| 7    | 7    |              | 1013466-07  |         | 220.0 MMF 50V 5% CER             | 3   |               | C32,C35,C39  |
| 8    | 8    |              | 1013466-06  |         | 100.0 MMF 50V 5% CER             | 2   |               | C40,C41  |
| 9    | 9    |              | 1216832-00  |         | PCB,HEADER 20POS(2X10).100CC 90D | 1   |               | J503   |
| 10   | 10   |              | 1316839-00  |         | 715.0 .25 W 1.0 % RN55D-F10      | 2   |               | R23,R26  |
| 11   | 11   |              | 1316837-00  |         | 412.0 .25 W 1.0 % RN55D-F10      | 1   |               | R48  |
| 12   | 12   |              | 1316842-00  |         | 6.34 K .25 W 1.0 % RN55D-F10     | 1   |               | R72  |
| 13   | 13   |              | 1316840-00  |         | 931.0 .25 W 1.0 % RN55D-F10      | 1   |               | R100   |
| 14   | 14   |              | 1316836-00  |         | 402.0 .25 W 1.0 % RN55D-F10      | 2   |               | R121,R122  |
| 15   | 15   |              | 1316845-00  |         | 3.30 .50 W 5.0 % CF              | 1   |               | R129   |
| 16   | 16   |              | 1216832-03  |         | PCB,HEADER 50POS(2X25).100CC 90D | 1   |               | J502   |
| 17   | 17   |              | 1001610-00  |         | .01 MFD 50V +80-20% Z5U CER      | 39  |               | C1,C3,C5,C7,C8,C10,C12-C19,C22,<br>CONT C23,C25-C28,C30,C33,C34,C36,C37,<br>CONT C42,C43,C46-C50,C53,C55,C57-C61<br>C2,C6,C9,C11,C56,C20,C24 |
| 18   | 18   |              | 1017472-00  |         | 10 MFD 35V +50-10% AL EL         | 7   |               |  |
| 19   | 19   |              | 1004813-00  |         | *** THIS ITEM IS NOT USED ***    | -   |               |  |
| 20   | 20   |              | 1013466-05  |         | 56.0 MMF 50V 5% CER              | 2   |               | C51,C52  |
| 21   | 21   |              | 1105796-00  |         | PIV= 400 IO= 1.00A 1N4004 DO-41  | 2   |               | D3,D4  |
| 22   | 22   |              | 1113003-00  |         | PIV= 55 IO=200 MA - 4NS 1N5282   | 8   |               | D1,D2,D5-D10   |
| 23   | 23   |              | 1316575-00  |         | 10.0 2.0 W 5.0 % CC              | 3   |               | R1,R18,R19   |
| 24   | 24   |              | 1300197-00  |         | 33.0 .25 W 5.0 % CF              | 2   |               | R115,R116  |
| 25   | 25   |              | 1300202-00  |         | 47.0 .25 W 5.0 % CF              | 2   |               | R124,R125  |
| 26   | 26   |              | 1300229-00  |         | 100.0 .25 W 5.0 % CF             | 1   |               | R42  |
| 27   | 27   |              | 1300250-00  |         | 150.0 .25 W 5.0 % CF             | 1   |               | R7   |
| 28   | 28   |              | 1300316-00  |         | 470.0 .25 W 5.0 % CF             | 14  |               | R5,R10,R11,R12,R14,R15,R16,R20,  |

| REVISION HISTORY |               |     | BASIC PART NO: 5413596  |                  |            | DRN: H. WEINBRENNER DATE: 18-APR-79 |           |                    | D I G I T A L |  |  |  |
|------------------|---------------|-----|-------------------------|------------------|------------|-------------------------------------|-----------|--------------------|---------------|--|--|--|
| ENG              | ECO NUMBER    | REV | SECTION A OF A          | CHK'D:           | A. SIMM    | DATE:                               | 18-APR-79 | TITLE              | PARTS LIST    |  |  |  |
| JH               | 5413596-CX002 | E   | SECTION VARIATION INDEX | CHK'D:           | A. SIMM    | DATE:                               | 18-APR-79 | READ/WRITE 1       |               |  |  |  |
| JH               | 5413596-CX003 | F   | [A] 00                  |                  |            |                                     |           |                    |               |  |  |  |
| JH               | 5413596-CX004 | H   | [B]                     |                  |            |                                     |           |                    |               |  |  |  |
|                  |               |     | [C]                     | DES.ENG:         | J. HARRELL | DATE:                               | 29-APR-79 | DOCUMENT NUMBER    |               |  |  |  |
|                  |               |     | [D]                     |                  |            |                                     |           |                    |               |  |  |  |
|                  |               |     | [E]                     |                  |            |                                     |           |                    |               |  |  |  |
|                  |               |     | [F]                     | RESP.ENG.:       | M. HAMMER  | DATE:                               | 29-APR-79 | K PL 5413596-0-DBP | H             |  |  |  |
|                  |               |     | [G]                     |                  |            |                                     |           |                    |               |  |  |  |
|                  |               |     | [H]                     |                  |            |                                     |           |                    |               |  |  |  |
|                  |               |     | [I]                     | MFG.ENG.:        | A. MORGAN  | DATE:                               | 29-APR-79 | RELEASE DATE:      |               |  |  |  |
|                  |               |     | [J]                     |                  |            |                                     |           |                    |               |  |  |  |
|                  |               |     | [K]                     |                  |            |                                     |           |                    |               |  |  |  |
|                  |               |     | [L]                     |                  |            |                                     |           |                    |               |  |  |  |
|                  |               |     | [M]                     | ASSEMBLY NUMBER: |            | TOP DOCUMENT NUMBER:                |           | FILE NAME:         | EDIT #        |  |  |  |
|                  |               |     | [N]                     | E-UA-5413596-0-0 |            | B-DD-5413596-0                      |           | Z0506H.PLS         | 19            |  |  |  |

"THIS DRAWING AND THE SPECIFICATIONS CONTAINED HEREIN ARE CONFIDENTIAL AND PROPRIETARY. THEY ARE THE PROPERTY OF DIGITAL EQUIPMENT CORPORATION AND SHALL NOT BE REPRODUCED OR COPIED OR USED IN WHOLE OR IN PART AS THE BASIS FOR THE MANUFACTURE OR SALE OF ITEMS WITHOUT WRITTEN PERMISSION. THIS IS AN UNPUBLISHED WORK PROTECTED UNDER THE FEDERAL COPYRIGHT LAWS."

| LINE | ITEM | TOP DOCUMENT | PART NUMBER | MIN REV | DESCRIPTION                      | QTY | PER VARIATION | REFERENCE DESIGNATOR  |
|------|------|--------------|-------------|---------|----------------------------------|-----|---------------|---|
|      |      |              |             |         |                                  | 00  |               |   |
| 29   | 29   |              | 1300365-00  |         | 1.0 K .25 W 5.0 Z CF             | 11  |               | CONT R21,R73,R76,R88,R89,R130<br>R3,R4,R25,R28,R47,R51,R52,R56,<br>CONT R87,R110,R112 |
| 30   | 30   |              | 1300447-00  |         | 4.70 K .25 W 5.0 Z CF            | 1   |               | R208  |
| 31   | 31   |              | 1301317-00  |         | 10.0 .25 W 5.0 Z CF              | 1   |               | R44   |
| 32   | 32   |              | 1301320-00  |         | 1.20 K .25 W 5.0 Z CF            | 1   |               | R75   |
| 33   | 33   |              | 1301424-00  |         | 680.0 .25 W 5.0 Z CF             | 2   |               | R78,R79   |
| 34   | 34   |              | 1301425-00  |         | 300.0 .25 W 5.0 Z CF             | 2   |               | R6,R13  |
| 35   | 35   |              | 1301477-00  |         | 82.0 .25 W 5.0 Z CF              | 4   |               | R8,R9,R17,R126  |
| 36   | 36   |              | 1301775-00  |         | 820.0 .25 W 5.0 Z CF             | 3   |               | R40,R41,R45   |
| 37   | 37   |              | 1301969-00  |         | 22.0 .25 W 5.0 Z CF              | 1   |               | R128  |
| 38   | 38   |              | 1302136-00  |         | 5.10 1.0 W 5.0 Z CC              | 1   |               | R107  |
| 39   | 39   |              | 1302411-00  |         | 511.0 .25 W 1.0 Z RN55D-F10      | 4   |               | R59,R60,R93,R94   |
| 40   | 40   |              | 1302612-00  |         | 1.78 K .25 W 1.0 Z RN55D-F10     | 2   |               | R66,R103  |
| 41   | 41   |              | 1302644-00  |         | 226.0 .25 W 1.0 Z RN55D-F10      | 1   |               | R68   |
| 42   | 42   |              | 1302645-00  |         | 1.10 K .25 W 1.0 Z RN55D-F10     | 2   |               | R90,R91   |
| 43   | 43   |              | 1302858-00  |         | 100.0 .25 W 1.0 Z RN55D-F10      | 3   |               | R86,R104,R111   |
| 44   | 44   |              | 1302871-00  |         | 1.21 K .25 W 1.0 Z RN55D-F10     | 1   |               | R99   |
| 45   | 45   |              | 1302956-00  |         | 196.0 .25 W 1.0 Z RN55D-F10      | 3   |               | R24,R27,R39   |
| 46   | 46   |              | 1302962-00  |         | 200.0 .25 W .10Z RN55C-B 5       | 1   |               | R123  |
| 47   | 47   |              | 1303037-00  |         | 90.90 .25 W 1.0 Z RN55D-F10      | 1   |               | R50   |
| 48   | 48   |              | 1303047-00  |         | 464.0 .25 W 1.0 Z RN55D-F10      | 1   |               | R55   |
| 49   | 49   |              | 1303312-00  |         | 10.0 K .25 W 1.0 Z RN55D-F10     | 5   |               | R54,R67,R81,R105,R106   |
| 50   | 50   |              | 1303378-00  |         | 10.0 .25 W 1.0 Z RN55C-F 5       | 1   |               | R85   |
| 51   | 51   |              | 1304857-00  |         | 237.0 .25 W 1.0 Z RN55D-F10      | 2   |               | R95,R98   |
| 52   | 52   |              | 1304858-00  |         | 348.0 .25 W 1.0 Z RN55D-F10      | 9   |               | R32,R33,R37,R38,R53,R57,R58,R69,<br>CONT R70  |
| 53   | 53   |              | 1305122-00  |         | 51.10 .25 W 1.0 Z RN55D-F10      | 1   |               | R71   |
| 54   | 54   |              | 1305123-00  |         | 215.0 .25 W 1.0 Z RN55D-F10      | 2   |               | R113,R114   |
| 55   | 55   |              | 1305125-00  |         | 383.0 .25 W 1.0 Z RN55D-F10      | 1   |               | R109  |
| 56   | 56   |              | 1305126-00  |         | 619.0 .25 W 1.0 Z RN55D-F10      | 1   |               | R101  |
| 57   | 57   |              | 1305128-00  |         | 5.62 K .25 W 1.0 Z RN55D-F10     | 3   |               | R49,R61,R64   |
| 58   | 58   |              | 1305252-00  |         | 68.10 K .25 W 1.0 Z RN55D-F10    | 1   |               | R65   |
| 59   | 59   |              | 1309143-03  |         | 50.0 .75 W20.0 Z POT             | 1   |               | R127  |
| 60   | 60   |              | 1309143-05  |         | 200.0 .75 W10.0 Z POT            | 1   |               | R74   |
| 61   | 61   |              | 1309143-08  |         | 2.0 K .75 W10.0 Z POT            | 1   |               | R46   |
| 62   | 62   |              | 1309413-00  |         | 3.83 K .25 W 1.0 Z RN55D-F10     | 2   |               | R77,R80   |
| 63   | 63   |              | 1313589-00  |         | 1.40 K .25 W 1.0 Z RN55D-F10     | 2   |               | R29,R34   |
| 64   | 64   |              | 1313596-00  |         | 20.0 K .25 W 1.0 Z RN55D-F10     | 2   |               | R119,R120   |
| 65   | 65   |              | 1313846-00  |         | 2.26 K .25 W 1.0 Z RN55D-F10     | 1   |               | R102  |
| 66   | 66   |              | 1314429-00  |         | 523.0 .25 W 1.0 Z RN55D-F10      | 2   |               | R30,R35   |
| 67   | 67   |              | 1314549-00  |         | 1.15 K .25 W 1.0 Z RN55D-F10     | 2   |               | R96,R97   |
| 68   | 68   |              | 1316254-00  |         | R NETWORK 7-470 2.0 Z 8PIN       | 1   |               | R22   |
| 69   | 69   | SEE NOTE 1   | 1316254-01  |         | R NETWORK 7-4.7K 2.0 Z 8PIN      | 3   |               | R62,R63,R82   |
| 70   | 70   |              | 1509524-00  |         | 2N 3904 NPN 310MW SI 40 40 M     | 8   |               | Q2,Q4,Q6,Q8-Q10,Q12,Q13   |
| 71   | 71   |              | 1509525-00  |         | 2N 3906 PNP 310MW SI 40100 Y     | 5   |               | Q3,Q5,Q7,Q11,Q14  |
| 72   | 72   |              | 9009185-00  |         | JUMPER, WIRE, INSULATED, BLACK B | 1   |               | W1  |
| 73   | 73   |              | 1602472-00  |         | 4.7 UH #1025-36                  | 2   |               | L2,L3   |

|   |   |   |   |   |   |   |              |           |    |   |      |      |                 |     |
|---|---|---|---|---|---|---|--------------|-----------|----|---|------|------|-----------------|-----|
| D | I | G | I | T | A | L | TITLE        | SECTION A | OF | A | SIZE | CODE | DOCUMENT NUMBER | REV |
|   |   |   |   |   |   |   | READ/WRITE 1 |           |    |   | K    | PL   | 5413596-0-DBP   | H   |

| LINE ITEM | TOP DOCUMENT | PART NUMBER | MIN REV | DESCRIPTION                    | QTY PER VARIATION 00 | REFERENCE DESIGNATOR |
|-----------|--------------|-------------|---------|--------------------------------|----------------------|----------------------|
| 74        | 74           | 1603358-00  |         | 12.0 UH 10% 300MA #DD12.0      | 2                    | L4,L5                |
| 75        | 75           | 1616291-01  |         | DELAY= 80NS,8TAPS              | 1                    | E17                  |
| 76        | 76           | 1910047-00  |         | 74145 DECODER&DRIVER           | 1                    | E10                  |
| 77        | 77           | 1910644-00  |         | 733 DIFFERENTIAL AMP,WID       | 1                    | E24                  |
| 78        | 78           | 1910741-00  |         | 7406 INVERTER GATE-HEX 1I      | 2                    | E3,E4                |
| 79        | 79           | 1911399-00  |         | 10102 NOR GATE,QUAD 2IN        | 1                    | E20                  |
| 80        | 80           | 1911414-00  |         | 10124 TTL TO ECL TRNSLTR       | 1                    | E6                   |
| 81        | 81           | 1911416-00  |         | 10131 DUAL D MSTR/SL.FF        | 2                    | E13,E19              |
| 82        | 82           | 1912048-00  |         | DEC 7812 VOLT REG,FIX +12V     | 1                    | E1                   |
| 83        | 83           | 1913017-00  |         | 3046 XSISTOR ARRAY,3 ISOL      | 2                    | E16,E22              |
| 84        | 84           | 1914140-00  |         | LM 311M VOLT CMPRTR            | 4                    | E2,E9,E18,E12        |
| 85        | 85           | 1914517-00  |         | 7912 VOLT REG,FIX -12V         | 1                    | E8                   |
| 86        | 86           | 1916244-01  |         | 317 VOLT REG,VAR 1/37V         | 2                    | E5,E7                |
| 87        | 87           | 9006557-00  |         | NUT,HEX EXT TOOTH LCKWSHR 4-40 | 7                    |                      |
| 88        | 88           | 9008172-00  |         | WASHER,FLAT SST                | 7                    |                      |
| 89        | 89           | 9006011-01  |         | SCREW,MACH PAN PHIL 4-         | 4                    |                      |
| 90        | 90           | 1012312-00  |         | .47 MFD 50V +80-20% CER        | 1                    | C62                  |
| 91        | 91           | 1305124-00  |         | 287.0 .25 W 1.0 % RN55D-F10    | 1                    | R83                  |
| 92        | 92           | 1013466-22  |         | .1 MFD 50V +80-20% Z5U CER     | 4                    | C21,C29,C31,C38      |
| 93        | 93           | 1302931-00  |         | 49.90 .25 W 1.0 % RN55D-F10    | 2                    | R117,R118            |
| 94        | 94           | 1305108-00  |         | 1.47 K .25 W 1.0 % RN55D-F10   | 1                    | R92                  |
| 95        | 95           | 1513489-00  |         | 2N 4401 NPN 350MW SI 40 20     | 1                    | Q1                   |
| 96        | 96           | 1300479-00  |         | 10.0 K .25 W 5.0 % CF          | 1                    | R43                  |
| 97        | 97           | 1302872-00  |         | 681.0 .25 W 1.0 % RN55D-F1     | 1                    | R84                  |
| 98        | 98           | 1316846-00  |         | 15.0 2.0 W10.0 % CC            | 1                    | R2                   |
| 99        | 99           | 9007791-00  |         | TERM PCB 2POS SOLDER,TURRET    | 2                    | TP1,TP2              |
| 100       | 100          | 9006010-01  |         | SCREW,MACH PAN PHIL 4-         | 3                    |                      |
| 101       | 101          | 1910644-03  | A       | 733 DIFFERENTIAL AMP,WID       | 1                    | E23                  |

102 NOTE: NOTE 1. PART NUMBER IS FOR R. NETWORK 7-4.7K OHM RESISTOR  
 103 NOTE: - WHICH IS WHAT PART SHOULD BE.  
 104 NOTE: NOTE 2. CAUTION--- SEE NOTE 1 ON E-UA-5413596-0-0 FOR  
 105 NOTE: - HARDWARE INSTALLATION.

|   |   |   |   |   |   |   |              |           |    |   |      |      |                 |     |
|---|---|---|---|---|---|---|--------------|-----------|----|---|------|------|-----------------|-----|
| D | I | G | I | T | A | L | TITLE        | SECTION A | OF | A | SIZE | CODE | DOCUMENT NUMBER | REV |
|   |   |   |   |   |   |   | READ/WRITE 1 |           |    |   | K    | PL   | 5413596-0-DBP   | H   |



THIS DRAWING AND SPECIFICATIONS HEREIN ARE THE PROPERTY OF DIGITAL EQUIPMENT CORPORATION AND SHALL NOT BE REPRODUCED OR COPIED OR USED IN WHOLE OR IN PART AS THE BASIS FOR THE MANUFACTURE OR SALE OF ITEMS WITHOUT WRITTEN PERMISSION.  
COPYRIGHT © 1979  
DIGITAL EQUIPMENT CORPORATION

H 1-1-966-01

6

5

4

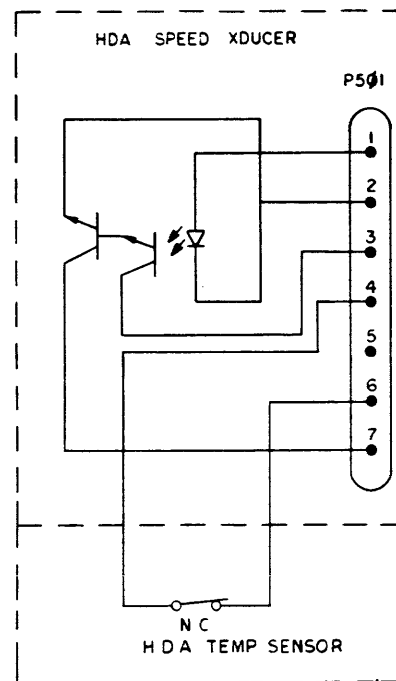
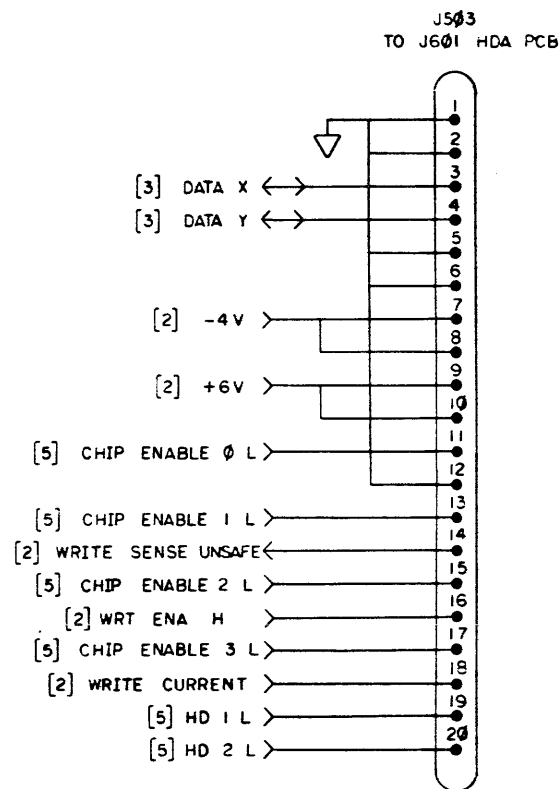
3

2

1

NOTES:

- UNLESS OTHERWISE SPECIFIED:  
ALL RESISTORS ARE 1/4 W, 1%.  
ALL RESISTOR VALUES ARE IN OHMS.  
ALL CAPACITOR VALUES ARE IN MICROFARADS.
- "I LOCK L" IS GROUND SOURCE FOR MODULE INTERLOCK SYSTEM.



P501

J501

SPD XDCR L

(SEE NOTE 2) I LOCK L >  
[2] HD SHORT DIAG L <  
TEMP HDA H >

[5] MULTICHIP DIAG L <  
[2] WRT SENSE L >

[5] -24V <

[2] -5.2V <

[2] +5V <

[2] SET HD SHORT L >  
[3] MULTICHIP SEL L >  
[2] WRT UNSAFE L >

[3] MFM WRT DATA H <  
[3] MFM WRT DATA L <

[4] ECL RD DATA H >  
[4] ECL RD DATA L >

J502  
TO J304 MICROPROCESSOR  
MODULE

[5] HD SEL 8 L <  
[5] HD SEL 4 L <  
[5] HD SEL 2 L <  
[2,5] HD SEL 1 L <  
[5] R/W ENABLE L <  
[2] WRITE L <

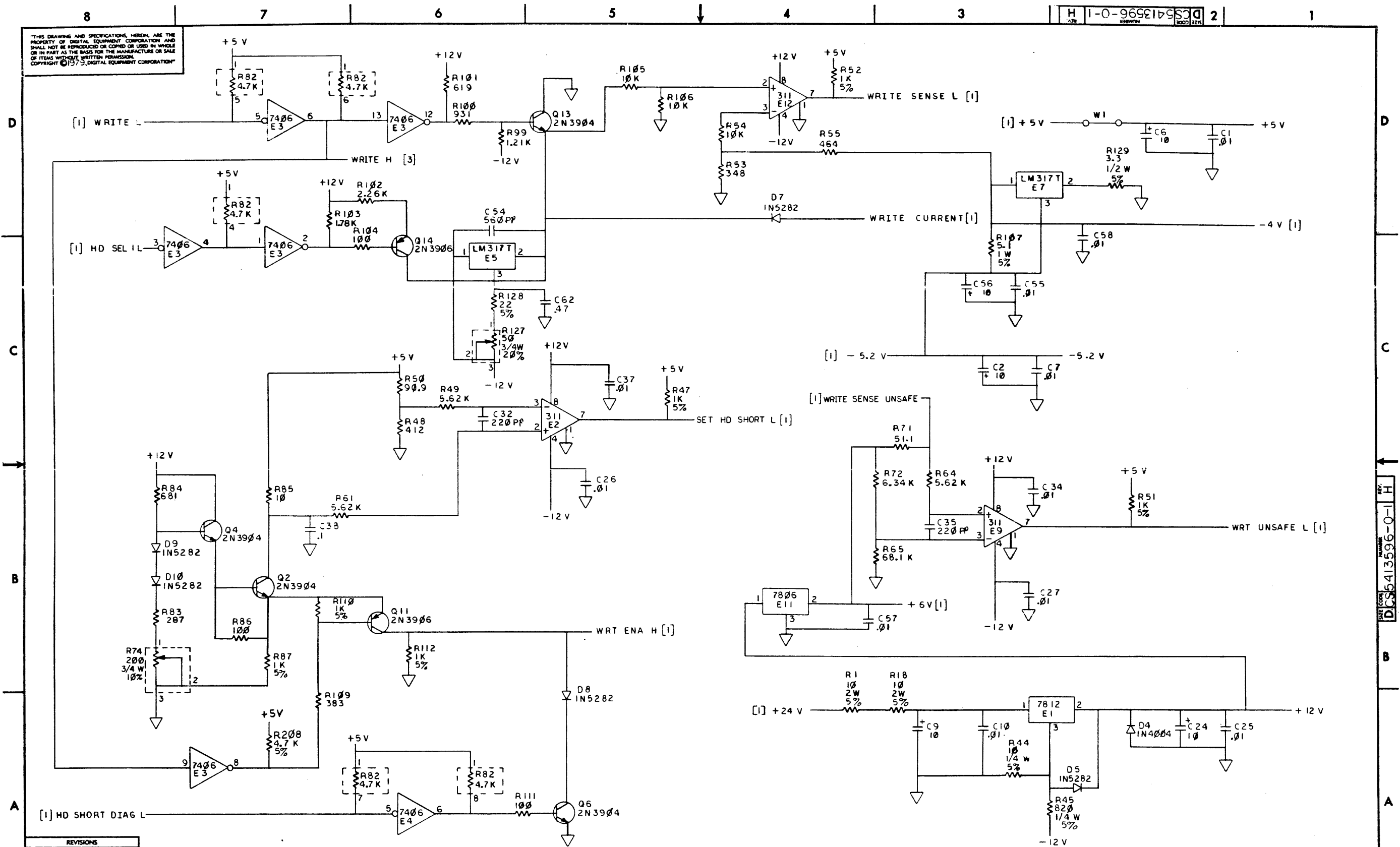
[2] +24V <

|                 |              |      |          |                    |              |
|-----------------|--------------|------|----------|--------------------|--------------|
| DATE            | 5/12/79      | DATE | 12/30/79 | TITLE              | digital      |
| CHKD            | W. H. HARRIS | DATE | 19/10/79 | READ/WRITE I       | (RWI)        |
| DES ENGR        | M. HARRIS    | DATE | 10/2/79  |                    |              |
| RESP ENGR       | M. HARRIS    | DATE | 10/2/79  |                    |              |
| MFG ENGR        |              | DATE | 5/1/79   |                    |              |
| REV             | D            | SIZE | CODE     | NUMBER             | REV          |
|                 |              |      |          | D CS 5413596-0-1 H |              |
| NEXT HIGHER DOC |              |      |          | SCALE              | SHEET 1 OF 6 |
| B-DD-5413596-0  |              |      |          |                    |              |

| REV        | D             | E             | F               | I             |
|------------|---------------|---------------|-----------------|---------------|
| ECO NUMBER | 5413596-CX001 | 5413596-CX002 | 5413596-CX003   | 5413596-CX004 |
| DATE       | 1/10/79       | 1/10/79       | 1/10/79         | 1/10/79       |
| BY         | J. HARRELL    | J. HARRELL    | T. K. 20 FEB 83 | J. HARRELL    |
| REASON     |               |               |                 |               |
| DATE       | 1980          | 1980          | 1980            | 1980          |
| BY         | W.S.          | W.S.          | W.S.            | W.S.          |
| REASON     |               |               |                 |               |

D CS 5413596-0-1 H

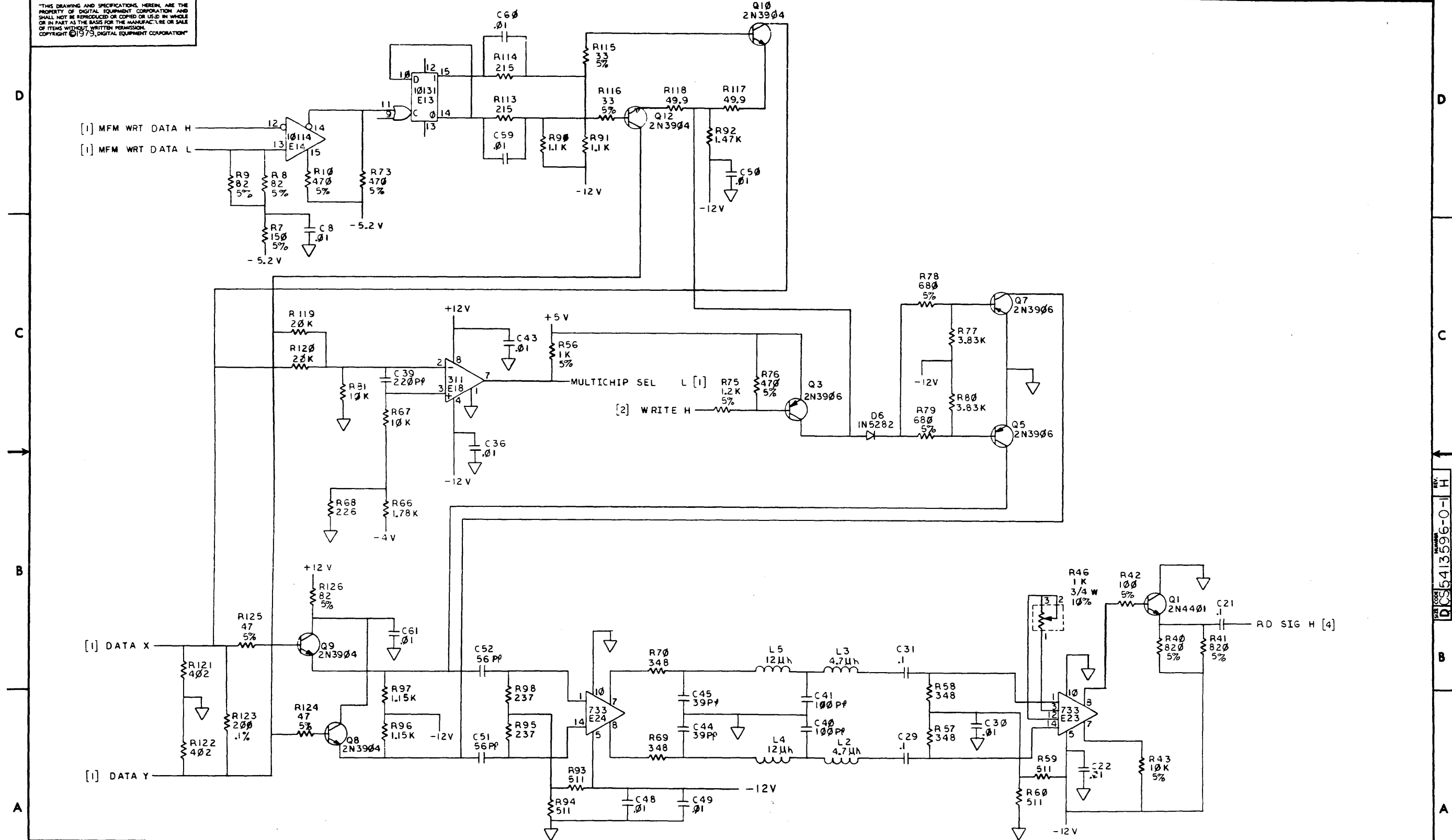
THIS DRAWING AND SPECIFICATIONS, HEREIN, ARE THE PROPERTY OF DIGITAL EQUIPMENT CORPORATION AND SHALL NOT BE REPRODUCED OR COPIED OR USED IN WHOLE OR IN PART AS THE BASIS FOR THE MANUFACTURE OR SALE OF ITEMS WITHOUT WRITTEN PERMISSION. COPYRIGHT © 1973, DIGITAL EQUIPMENT CORPORATION



| REVISIONS |            |      |
|-----------|------------|------|
| CHK       | CHANGE NO. | REV. |
|           |            |      |
|           |            |      |

|              |       |       |      |             |      |
|--------------|-------|-------|------|-------------|------|
| TITLE        | (RW2) | SIZE  | CODE | NUMBER      | REV. |
| READ/WRITE 1 |       | D     | CS   | 5413596-0-1 | H    |
| SCALE        | ---   | SHEET | 2    | OF          | 6    |
| DIST.        |       |       |      |             |      |

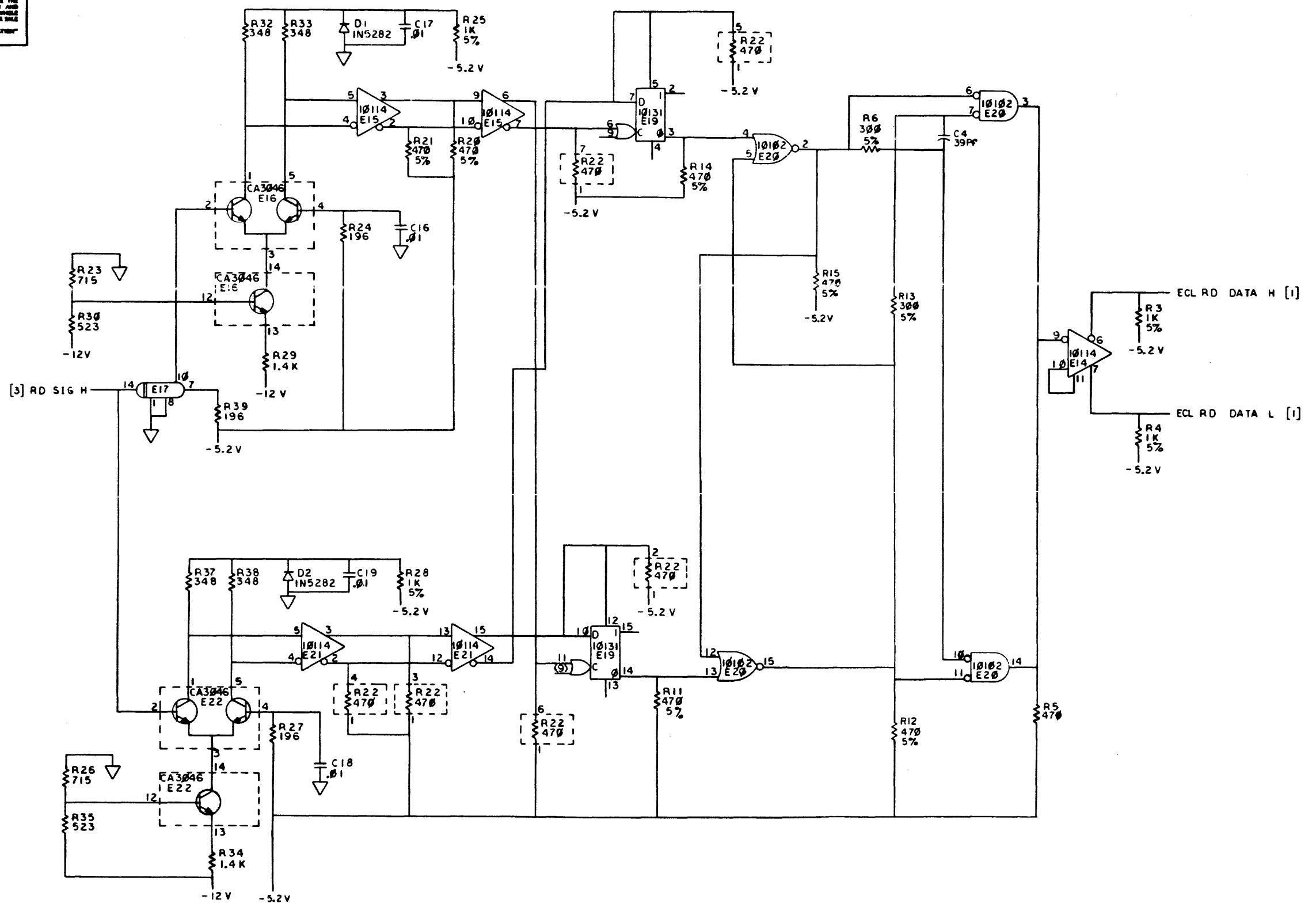
"THIS DRAWING AND SPECIFICATIONS, HEREIN, ARE THE PROPERTY OF DIGITAL EQUIPMENT CORPORATION AND SHALL NOT BE REPRODUCED OR COPIED OR USED IN WHOLE OR IN PART AS THE BASIS FOR THE MANUFACTURE OR SALE OF ITEMS WITHOUT WRITTEN PERMISSION. COPYRIGHT © 1975, DIGITAL EQUIPMENT CORPORATION"



| REVISIONS |            |      |
|-----------|------------|------|
| CHK       | CHANGE NO. | REV. |
|           |            |      |
|           |            |      |

|              |              |                 |        |      |
|--------------|--------------|-----------------|--------|------|
| TITLE        | (RW3)        | SIZE CODE       | NUMBER | REV. |
| READ/WRITE 1 |              | DCS 5413596-0-1 | H      |      |
| SCALE        | SHEET 3 OF 6 | DIST.           |        |      |

THE DRAWING AND SPECIFICATIONS HEREIN ARE THE PROPERTY OF DIGITAL EQUIPMENT CORPORATION AND SHALL NOT BE REPRODUCED OR COPIED OR USED IN WHOLE OR IN PART AS THE BASIS FOR THE MANUFACTURE OR SALE OF ITEMS WITHOUT WRITTEN PERMISSION. COPYRIGHT © 1975, DIGITAL EQUIPMENT CORPORATION.

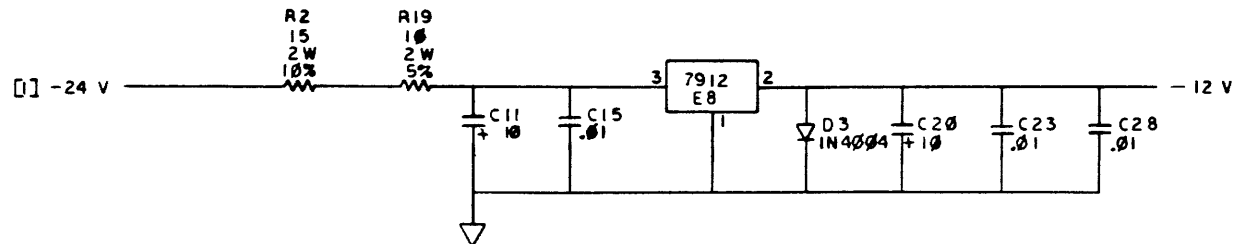
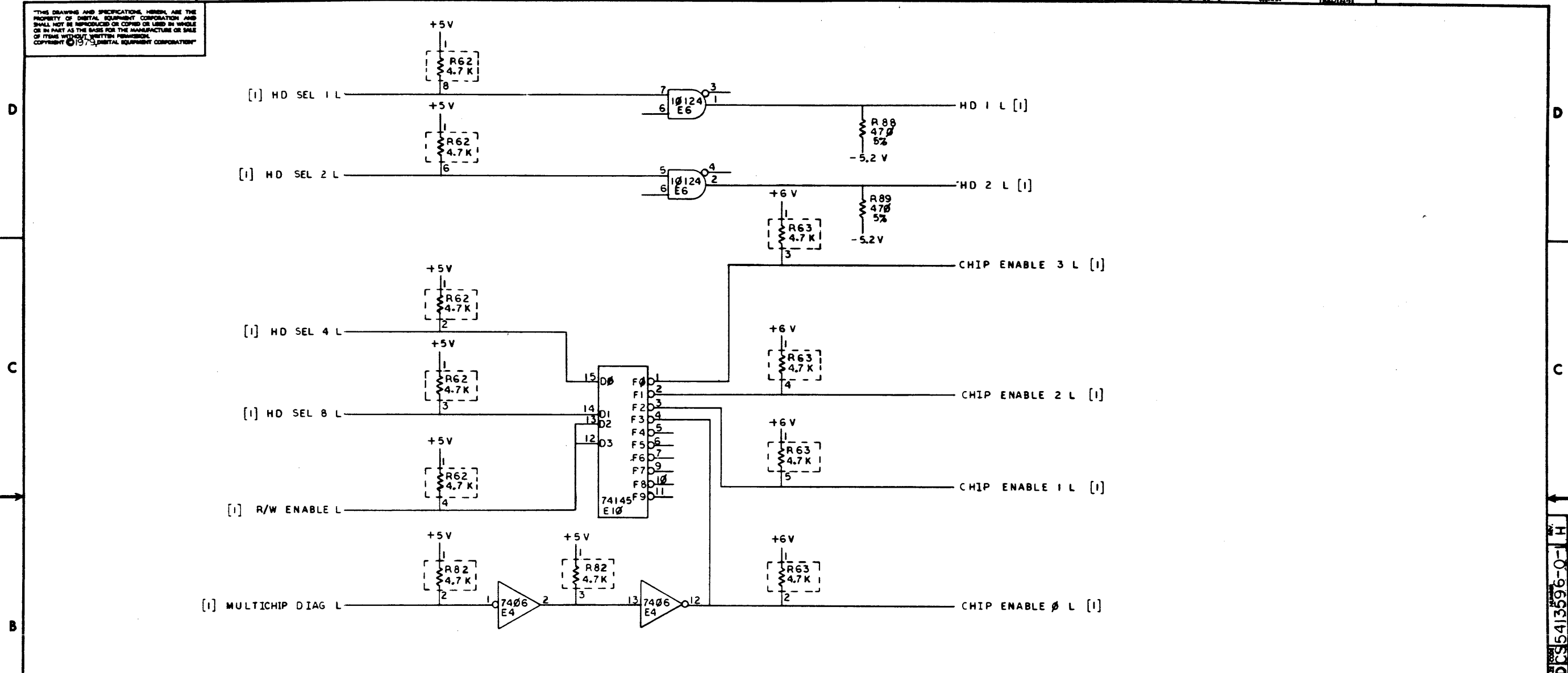


| REVISIONS |            |      |
|-----------|------------|------|
| CHK       | CHANGE NO. | REV. |
|           |            |      |

|              |       |                |        |      |
|--------------|-------|----------------|--------|------|
| TITLE        | (RW4) | SIZE CODE      | NUMBER | REV. |
| READ/WRITE 1 |       | DCS5413596-0-1 | H      |      |
| SCALE        |       | SHEET 4 OF 6   | DIST.  |      |

DCS5413596-0-1 H

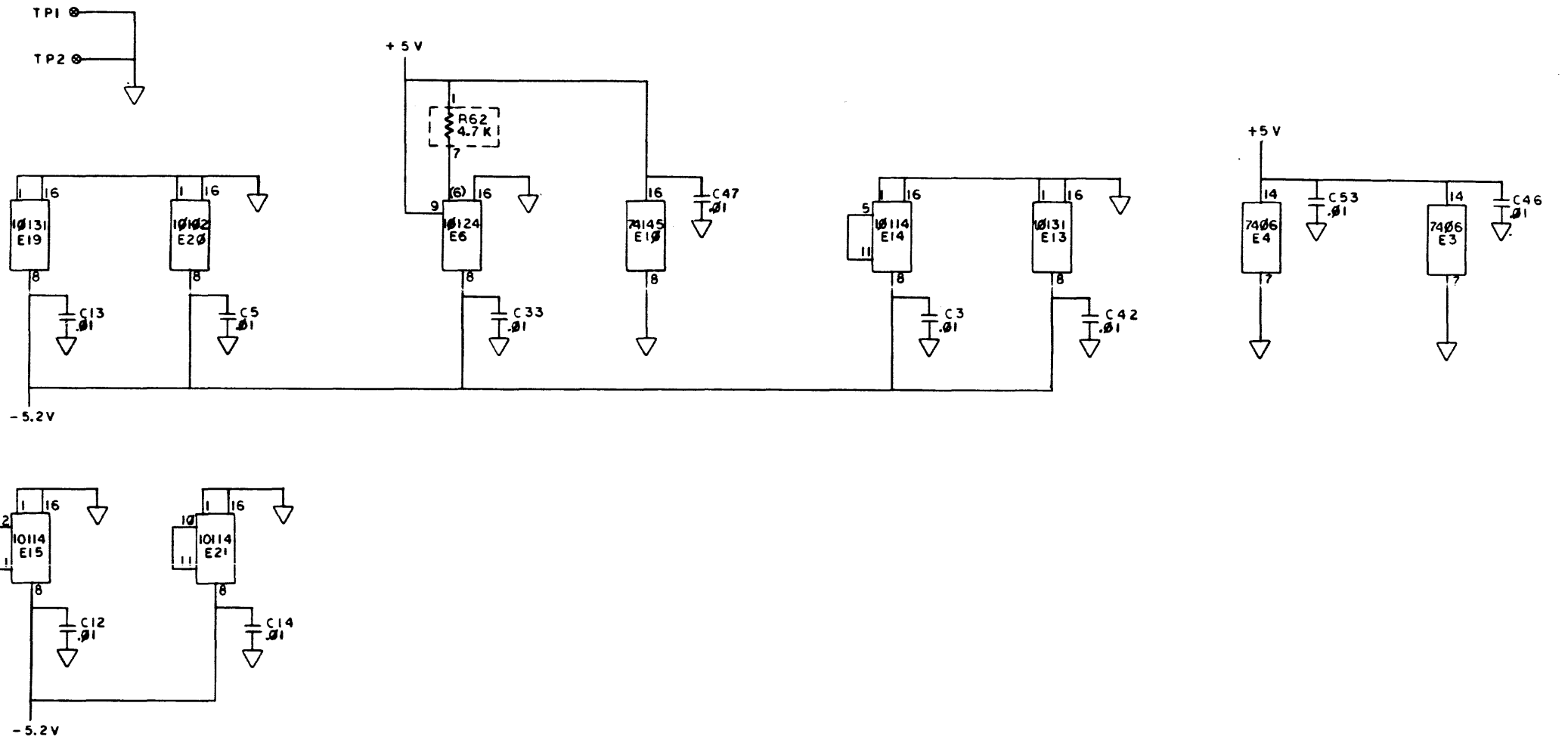
THIS DRAWING AND SPECIFICATIONS HEREIN ARE THE PROPERTY OF DIGITAL EQUIPMENT CORPORATION AND SHALL NOT BE REPRODUCED OR COPIED OR USED IN WHOLE OR IN PART AS THE BASIS FOR THE MANUFACTURE OR SALE OF ITEMS WITHOUT WRITTEN PERMISSION. COPYRIGHT © 1973 DIGITAL EQUIPMENT CORPORATION



| REVISIONS |            |      |
|-----------|------------|------|
| CHK       | CHANGE NO. | REV. |
|           |            |      |
|           |            |      |
|           |            |      |
|           |            |      |
|           |            |      |
|           |            |      |
|           |            |      |
|           |            |      |
|           |            |      |

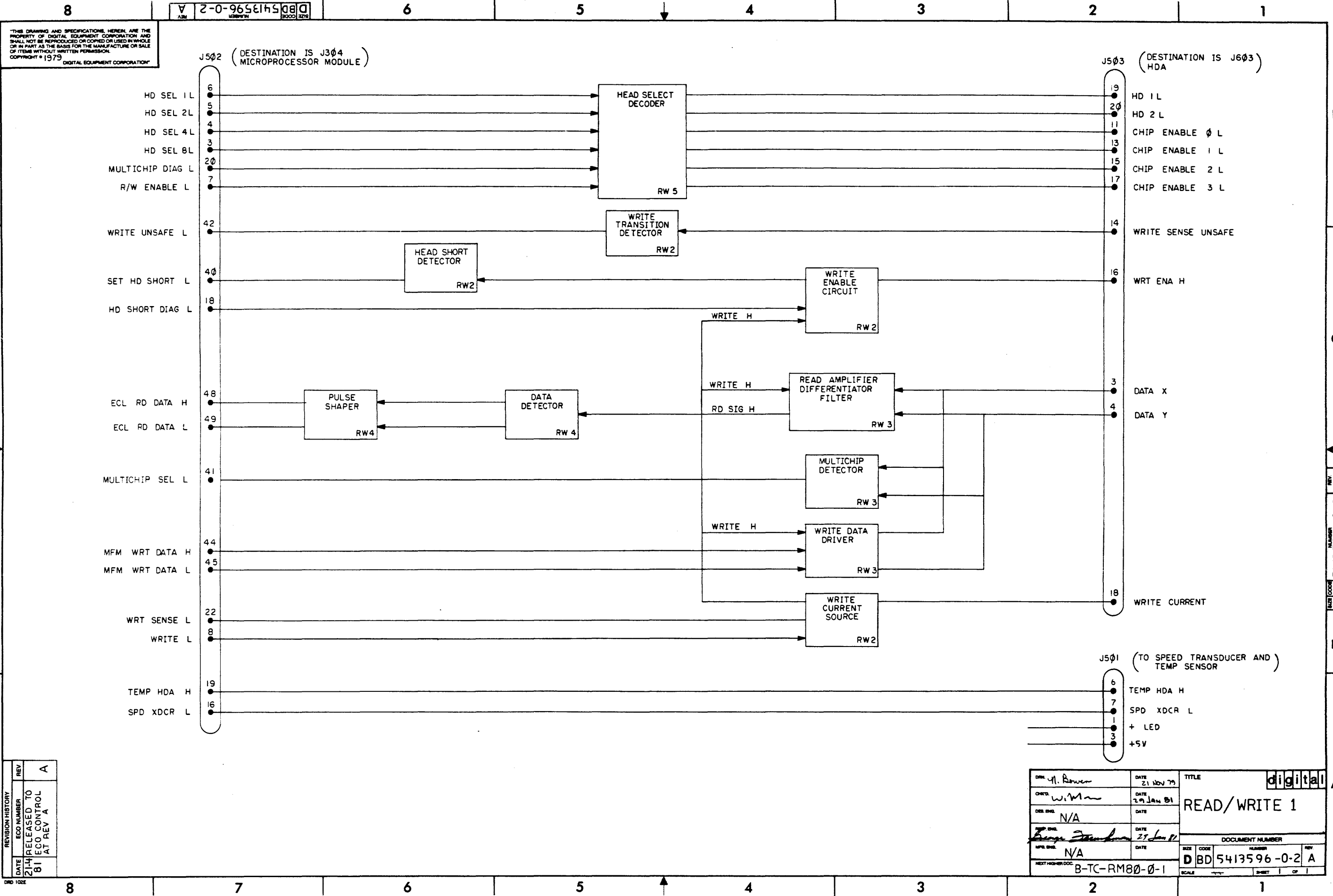
DCS 5413596-0-1 H

THIS DRAWING AND SPECIFICATIONS HEREIN ARE THE PROPERTY OF DIGITAL EQUIPMENT CORPORATION AND SHALL NOT BE REPRODUCED OR COPIED OR USED IN WHOLE OR IN PART AS THE BASIS FOR THE MANUFACTURE OR SALE OF ITEMS WITHOUT WRITTEN PERMISSION. COPYRIGHT © 1973, DIGITAL EQUIPMENT CORPORATION



| REVISIONS |            |      |
|-----------|------------|------|
| CHK       | CHANGE NO. | REV. |
|           |            |      |

|              |        |           |             |       |
|--------------|--------|-----------|-------------|-------|
| TITLE        | (RW 6) | SIZE CODE | NUMBER      | REV.  |
| READ/WRITE 1 |        | DCS       | 5413596-0-1 | H     |
| SCALE        | 1/1    | SHEET     | 6 OF 6      | DIST. |



REVISION HISTORY

| DATE | ECO NUMBER  | REV |
|------|-------------|-----|
| 2/4  | RELEASED TO | A   |
| 8/1  | ECO CONTROL | A   |
|      | AT REV A    |     |

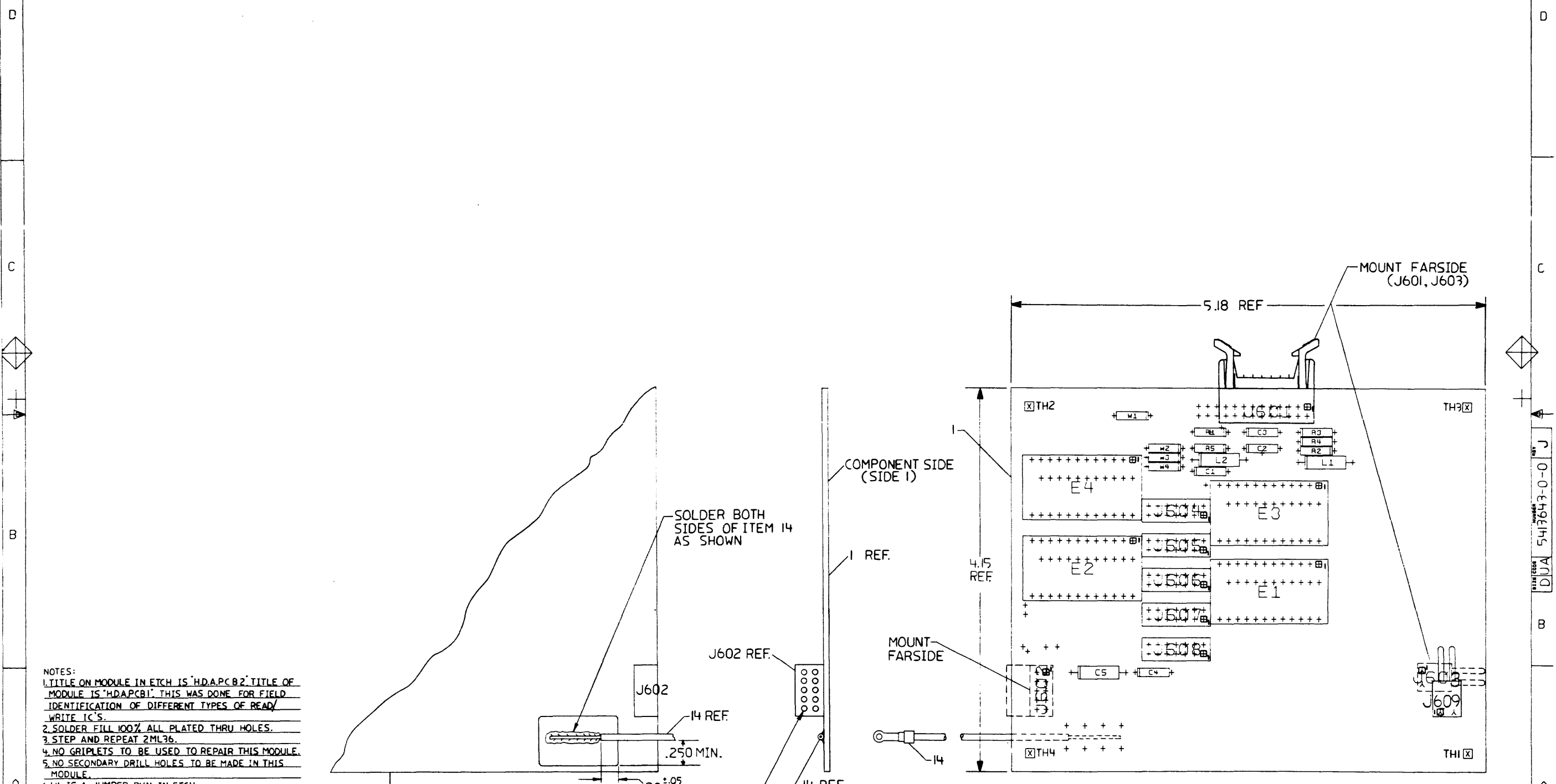
|                                |                 |                       |
|--------------------------------|-----------------|-----------------------|
| DRN: <i>M. Bowen</i>           | DATE: 21 Nov 79 | TITLE: <b>digital</b> |
| CHG: <i>W.M.W.</i>             | DATE: 29 Jan 81 | READ/WRITE 1          |
| DES: <i>N/A</i>                | DATE:           |                       |
| APP: <i>George Stambor</i>     | DATE: 29 Jan 81 |                       |
| WPL: <i>N/A</i>                | DATE:           |                       |
| NEXT HIGHER DOC: B-TC-RM80-0-1 | SCALE:          | SHEET: 1 OF 1         |

THIS DRAWING AND SPECIFICATIONS HEREIN ARE THE PROPERTY OF DIGITAL EQUIPMENT CORPORATION AND SHALL NOT BE REPRODUCED OR COPIED OR USED IN WHOLE OR IN PART AS THE BASIS FOR THE MANUFACTURE OR SALE OF ITEMS WITHOUT WRITTEN PERMISSION. COPYRIGHT © 1979 DIGITAL EQUIPMENT CORPORATION

DRAWING NUMBER: DBD 5413596-0-2 REV. A

THIS DRAWING AND SPECIFICATIONS, HEREIN, ARE THE PROPERTY OF DIGITAL EQUIPMENT CORPORATION AND SHALL NOT BE REPRODUCED OR COPIED OR USED IN WHOLE OR IN PART AS THE BASIS FOR THE MANUFACTURE OR SALE OF ITEMS WITHOUT WRITTEN PERMISSION.  
 COPYRIGHT © 1982 DIGITAL EQUIPMENT CORPORATION

COMPONENT SIDE VIEW



- NOTES:
1. TITLE ON MODULE IN ETCH IS 'HDA.PCB2' TITLE OF MODULE IS 'HDA.PCB1'. THIS WAS DONE FOR FIELD IDENTIFICATION OF DIFFERENT TYPES OF READ/WRITE IC'S.
  2. SOLDER FILL 100% ALL PLATED THRU HOLES.
  3. STEP AND REPEAT 2ML36.
  4. NO GRIPLETS TO BE USED TO REPAIR THIS MODULE.
  5. NO SECONDARY DRILL HOLES TO BE MADE IN THIS MODULE.
  6. W1 IS A JUMPER RUN IN ETCH.
  7. W2-W4 ARE NOT INSTALLED.

| CHK | CHANGE NO   | REV | DATE     | BY         | APP |
|-----|-------------|-----|----------|------------|-----|
|     |             | I   |          |            |     |
|     |             | J   |          |            |     |
|     | 541364      | J   | 12/14/82 | J. HARRELL |     |
|     | 17215418643 | J   | 12/14/82 | J. HARRELL |     |

|        |          |       |      |   |       |       |
|--------|----------|-------|------|---|-------|-------|
| STEP E | → Y AXIS | 4.275 | STEP | 1 | TIMES | 2ML36 |
| REPEAT | → X AXIS | 5.250 | STEP | 1 | TIMES |       |

|                                  |                    |         |           |             |
|----------------------------------|--------------------|---------|-----------|-------------|
| SIGNATURES                       |                    | DATE    | digital   |             |
| DRN.                             | <i>[Signature]</i> | 4/19/82 |           |             |
| CHK'D.                           | <i>[Signature]</i> | 5/26/82 |           |             |
| MECH. ENG.                       | <i>[Signature]</i> | 7/2/82  | TITLE     |             |
| PROJ. ENG.                       | <i>[Signature]</i> | 7/2/82  | HDA PCB I |             |
| PROD. ANGR.                      | <i>[Signature]</i> | 7/2/82  | SIZE CODE | NUMBER      |
| SCALE 2/1                        |                    |         | D UA      | 5413643-0-0 |
| SHT. 1 OF 1                      |                    |         | REV       | J           |
| NEXT HIGHER ASSY: 8-00-5413643-0 |                    |         |           |             |

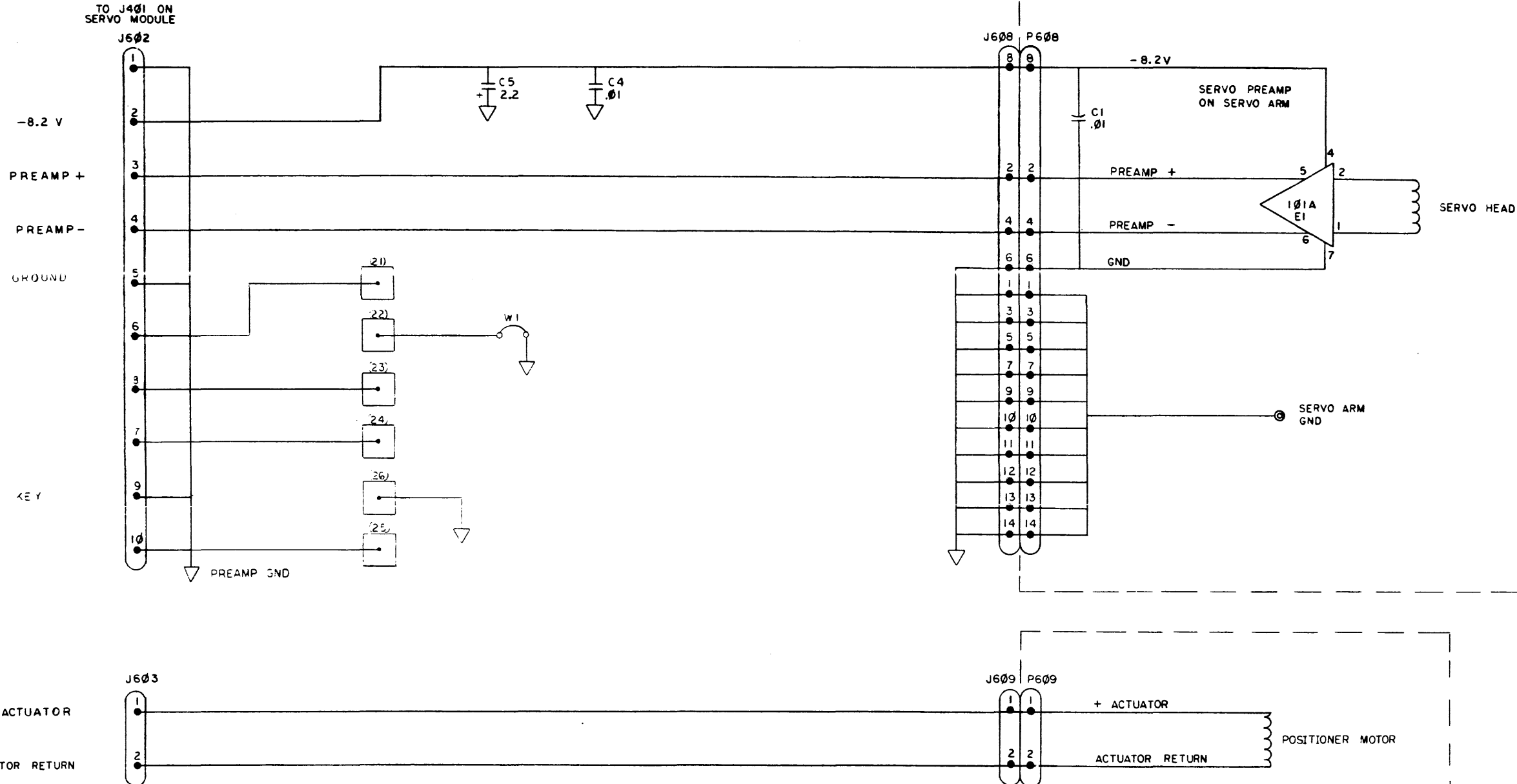


| LINE | ITEM | DOCUMENT NUMBER  | PART NUMBER | DESCRIPTION                       | QTY PER VARIATION | REFERENCE DESIGNATOR     |
|------|------|------------------|-------------|-----------------------------------|-------------------|--------------------------|
| 1    | 1    | D-DD-5013642-0-0 | 5013642-00  | DRILL & ETCH BD                   | 1                 |                          |
| 2    | 2    |                  | 1001610-00  | .01 MFD 50V +80-20% Z5U CER       | 3                 | C2,C3,C4                 |
| 3    | 3    |                  | 1013466-31  | 15.0 MFD 50V 5% CER               | 1                 | C1                       |
| 4    | 4    |                  | 1002431-00  | 2.2MFD 35V 10% S.TANT             | 1                 | C5                       |
| 5    | 5    |                  | 1303114-00  | 1.0 K .25 W 1.0 % RN55D-F10       | 1                 | R1                       |
| 6    | 6    |                  | 1310169-01  | 200.0 .25 W 1.0 % RN55D-F10       | 1                 | R2                       |
| 7    | 7    |                  | 1316836-00  | 402.0 .25 W 1.0 % RN55D-F10       | 2                 | R3,R4                    |
| 8    | 8    |                  | 1216832-00  | PCB,HEADER 20PJS(2X10).100CC 90D  | 1                 | J601                     |
| 9    | 9    |                  | 1216862-00  | PCB,HEADER 14PJS(2X07).100CC STR  | 5                 | J604,J505,J606,J607,J508 |
| 10   | 10   |                  | 1212965-01  | PCB,HEADER 10PIN(2X05).100CC 90D  | 1                 | J602                     |
| 11   | 11   |                  | 1212204-12  | PCB,HEADER 02PIN(1X02).156CC 90D  | 2                 | J603,J609                |
| 12   | 12   |                  | 1916241-01  | READ/WRITE AMP                    | 4                 | E1,E2,E3,E4              |
| 13   | 13   |                  | 1609620-00  | 2.2 UH #RFS2.2                    | 2                 | L1,L2                    |
| 14   | 14   | B-IA-7017607-0-0 | 7017607-01  | GROUND CABLE ASSEMBLY (HDA REWRD) | 1                 |                          |
| 15   | 15   |                  | 1302858-00  | 100.0 .25 W 1.0 % RN55D-F10       | 1                 | R5                       |

| REVISION HISTORY |                | BASIC PART NO: 5413643 |                         | DRN: SUE BOURBEAU |                   | DATE: 23-JUN-82      |                  | DIGITAL         |            |
|------------------|----------------|------------------------|-------------------------|-------------------|-------------------|----------------------|------------------|-----------------|------------|
| ENG              | DOC NUMBER     | REV                    | SECTION A OF A          | CHK'D:            | RON MICHAUD       | DATE:                | 23-JUN-82        | TITLE           | PARTS LIST |
| ---              | IPC0 380-457   | 1B                     | SECTION VARIATION INDEX | CHK'D:            | RON MICHAUD       | DATE:                | 23-JUN-82        | HDA PCB#1       |            |
| JH               | 15413643-CX02A | 1D                     | [A] 00                  | DES.ENG:          | J HARRELL         | DATE:                | 23-JUN-82        | DOCUMENT NUMBER |            |
| JH               | 15413643-CX004 | 1E                     | [B]                     | RESP.ENG.:        | J HARRELL         | DATE:                | 23-JUN-82        | SIZE            | CODE       |
| JH               | 15413643-CX006 | 1F                     | [C]                     | DATE:             | 23-JUN-82         | NUMBER               |                  | REV             |            |
| JH               | 15413643-CX007 | 1H                     | [D]                     | DATE:             | 23-JUN-82         | FILE NAME:           |                  | EDIT #          |            |
| JH               |                |                        | [E]                     | ASSEMBLY NUMBER:  | ID-UA-5413643-0-0 | TOP DOCUMENT NUMBER: | # B-DD-5413643-0 | FILE NAME:      | Z0507H.PLS |
|                  |                |                        | [F]                     | DATE:             | 23-JUN-82         | NUMBER               |                  | REV             |            |
|                  |                |                        | [G]                     | DATE:             | 23-JUN-82         | NUMBER               |                  | REV             |            |
|                  |                |                        | [H]                     | DATE:             | 23-JUN-82         | NUMBER               |                  | REV             |            |
|                  |                |                        | [I]                     | DATE:             | 23-JUN-82         | NUMBER               |                  | REV             |            |
|                  |                |                        | [J]                     | DATE:             | 23-JUN-82         | NUMBER               |                  | REV             |            |
|                  |                |                        | [K]                     | DATE:             | 23-JUN-82         | NUMBER               |                  | REV             |            |
|                  |                |                        | [L]                     | DATE:             | 23-JUN-82         | NUMBER               |                  | REV             |            |
|                  |                |                        | [M]                     | DATE:             | 23-JUN-82         | NUMBER               |                  | REV             |            |
|                  |                |                        | [N]                     | DATE:             | 23-JUN-82         | NUMBER               |                  | REV             |            |
|                  |                |                        | [O]                     | DATE:             | 23-JUN-82         | NUMBER               |                  | REV             |            |

"THIS DRAWING AND SPECIFICATIONS HEREIN, ARE THE PROPERTY OF DIGITAL EQUIPMENT CORPORATION AND SHALL NOT BE REPRODUCED OR COPIED OR USED IN WHOLE OR IN PART AS THE BASIS FOR THE MANUFACTURE OR SALE OF ITEMS WITHOUT WRITTEN PERMISSION. COPYRIGHT (C) 1982. DIGITAL EQUIPMENT CORPORATION"

THIS DRAWING AND SPECIFICATIONS HEREIN ARE THE PROPERTY OF DIGITAL EQUIPMENT CORPORATION AND SHALL NOT BE REPRODUCED OR COPIED OR USED IN WHOLE OR IN PART AS THE BASIS FOR THE MANUFACTURE OR SALE OF ITEMS WITHOUT WRITTEN PERMISSION. COPYRIGHT © 1973 DIGITAL EQUIPMENT CORPORATION.

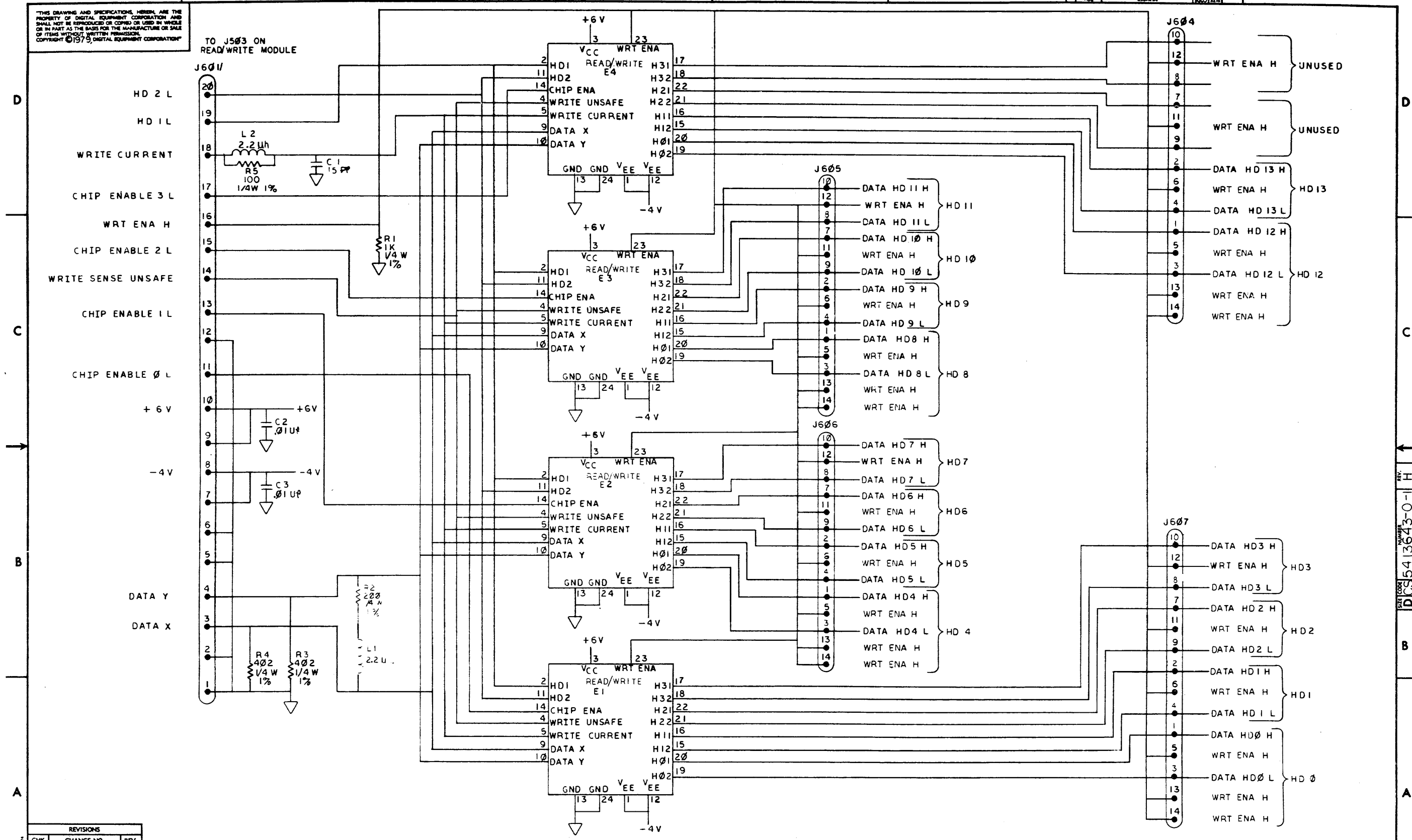


NOTES:  
 1 UNLESS OTHERWISE SPECIFIED:  
 ALL RESISTORS ARE 1/4W 5%.  
 ALL RESISTOR VALUES ARE IN OHMS.  
 ALL CAPACITOR VALUES ARE IN MICROFARADS.

| REV. | E       | F | H |
|------|---------|---|---|
| 1    | 5413643 |   |   |
| 2    | 1721    |   |   |

| QUANTITY & VARIATION |                               | DESCRIPTION   | DWG./PART NO.   | ITEM NO.        |
|----------------------|-------------------------------|---|-----------------|-----------------|
| ANGLES 10° 30°       | CLASS OF ACCURACY (CHECK ONE) | UNLESS OTHERWISE SPECIFIED DIMENSIONS ARE IN INCHES |                 |                 |
| SURFACE QUALITY IN   | MEDIUM                        | NOMINAL DIMENSION RANGE INCHES                      |                 |                 |
| MICROINCHES          | PREFERRED                     | OVER 0 TO 0.2                                       | OVER 0.2 TO 1.2 | OVER 1.2 TO 4.0 |
|                      |                               | ±.004   | ±.008           | ±.012           |
|                      |                               |   |                 | ±.016           |
|                      |                               |   |                 | ±.025           |
|                      |                               |   |                 | ±.031           |
|                      |                               |   |                 | ±.039           |
|                      |                               |   |                 | ±.047           |
|                      |                               |   |                 | ±.055           |
|                      |                               |   |                 | ±.063           |
|                      |                               |   |                 | ±.071           |
|                      |                               |   |                 | ±.079           |
|                      |                               |   |                 | ±.087           |
|                      |                               |   |                 | ±.095           |
|                      |                               |   |                 | ±.103           |
|                      |                               |   |                 | ±.111           |
|                      |                               |   |                 | ±.119           |
|                      |                               |   |                 | ±.127           |
|                      |                               |   |                 | ±.135           |
|                      |                               |   |                 | ±.143           |
|                      |                               |   |                 | ±.151           |
|                      |                               |   |                 | ±.159           |
|                      |                               |   |                 | ±.167           |
|                      |                               |   |                 | ±.175           |
|                      |                               |   |                 | ±.183           |
|                      |                               |   |                 | ±.191           |
|                      |                               |   |                 | ±.199           |
|                      |                               |   |                 | ±.207           |
|                      |                               |   |                 | ±.215           |
|                      |                               |   |                 | ±.223           |
|                      |                               |   |                 | ±.231           |
|                      |                               |   |                 | ±.239           |
|                      |                               |   |                 | ±.247           |
|                      |                               |   |                 | ±.255           |
|                      |                               |   |                 | ±.263           |
|                      |                               |   |                 | ±.271           |
|                      |                               |   |                 | ±.279           |
|                      |                               |   |                 | ±.287           |
|                      |                               |   |                 | ±.295           |
|                      |                               |   |                 | ±.303           |
|                      |                               |   |                 | ±.311           |
|                      |                               |   |                 | ±.319           |
|                      |                               |   |                 | ±.327           |
|                      |                               |   |                 | ±.335           |
|                      |                               |   |                 | ±.343           |
|                      |                               |   |                 | ±.351           |
|                      |                               |   |                 | ±.359           |
|                      |                               |   |                 | ±.367           |
|                      |                               |   |                 | ±.375           |
|                      |                               |   |                 | ±.383           |
|                      |                               |   |                 | ±.391           |
|                      |                               |   |                 | ±.399           |
|                      |                               |   |                 | ±.407           |
|                      |                               |   |                 | ±.415           |
|                      |                               |   |                 | ±.423           |
|                      |                               |   |                 | ±.431           |
|                      |                               |   |                 | ±.439           |
|                      |                               |   |                 | ±.447           |
|                      |                               |   |                 | ±.455           |
|                      |                               |   |                 | ±.463           |
|                      |                               |   |                 | ±.471           |
|                      |                               |   |                 | ±.479           |
|                      |                               |   |                 | ±.487           |
|                      |                               |   |                 | ±.495           |
|                      |                               |   |                 | ±.503           |
|                      |                               |   |                 | ±.511           |
|                      |                               |   |                 | ±.519           |
|                      |                               |   |                 | ±.527           |
|                      |                               |   |                 | ±.535           |
|                      |                               |   |                 | ±.543           |
|                      |                               |   |                 | ±.551           |
|                      |                               |   |                 | ±.559           |
|                      |                               |   |                 | ±.567           |
|                      |                               |   |                 | ±.575           |
|                      |                               |   |                 | ±.583           |
|                      |                               |   |                 | ±.591           |
|                      |                               |   |                 | ±.599           |
|                      |                               |   |                 | ±.607           |
|                      |                               |   |                 | ±.615           |
|                      |                               |   |                 | ±.623           |
|                      |                               |   |                 | ±.631           |
|                      |                               |   |                 | ±.639           |
|                      |                               |   |                 | ±.647           |
|                      |                               |   |                 | ±.655           |
|                      |                               |   |                 | ±.663           |
|                      |                               |   |                 | ±.671           |
|                      |                               |   |                 | ±.679           |
|                      |                               |   |                 | ±.687           |
|                      |                               |   |                 | ±.695           |
|                      |                               |   |                 | ±.703           |
|                      |                               |   |                 | ±.711           |
|                      |                               |   |                 | ±.719           |
|                      |                               |   |                 | ±.727           |
|                      |                               |   |                 | ±.735           |
|                      |                               |   |                 | ±.743           |
|                      |                               |   |                 | ±.751           |
|                      |                               |   |                 | ±.759           |
|                      |                               |   |                 | ±.767           |
|                      |                               |   |                 | ±.775           |
|                      |                               |   |                 | ±.783           |
|                      |                               |   |                 | ±.791           |
|                      |                               |   |                 | ±.799           |
|                      |                               |   |                 | ±.807           |
|                      |                               |   |                 | ±.815           |
|                      |                               |   |                 | ±.823           |
|                      |                               |   |                 | ±.831           |
|                      |                               |   |                 | ±.839           |
|                      |                               |   |                 | ±.847           |
|                      |                               |   |                 | ±.855           |
|                      |                               |   |                 | ±.863           |
|                      |                               |   |                 | ±.871           |
|                      |                               |   |                 | ±.879           |
|                      |                               |   |                 | ±.887           |
|                      |                               |   |                 | ±.895           |
|                      |                               |   |                 | ±.903           |
|                      |                               |   |                 | ±.911           |
|                      |                               |   |                 | ±.919           |
|                      |                               |   |                 | ±.927           |
|                      |                               |   |                 | ±.935           |
|                      |                               |   |                 | ±.943           |
|                      |                               |   |                 | ±.951           |
|                      |                               |   |                 | ±.959           |
|                      |                               |   |                 | ±.967           |
|                      |                               |   |                 | ±.975           |
|                      |                               |   |                 | ±.983           |
|                      |                               |   |                 | ±.991           |
|                      |                               |   |                 | ±.999           |
|                      |                               |   |                 | ±.1007          |
|                      |                               |   |                 | ±.1015          |
|                      |                               |   |                 | ±.1023          |
|                      |                               |   |                 | ±.1031          |
|                      |                               |   |                 | ±.1039          |
|                      |                               |   |                 | ±.1047          |
|                      |                               |   |                 | ±.1055          |
|                      |                               |   |                 | ±.1063          |
|                      |                               |   |                 | ±.1071          |
|                      |                               |   |                 | ±.1079          |
|                      |                               |   |                 | ±.1087          |
|                      |                               |   |                 | ±.1095          |
|                      |                               |   |                 | ±.1103          |
|                      |                               |   |                 | ±.1111          |
|                      |                               |   |                 | ±.1119          |
|                      |                               |   |                 | ±.1127          |
|                      |                               |   |                 | ±.1135          |
|                      |                               |   |                 | ±.1143          |
|                      |                               |   |                 | ±.1151          |
|                      |                               |   |                 | ±.1159          |
|                      |                               |   |                 | ±.1167          |
|                      |                               |   |                 | ±.1175          |
|                      |                               |   |                 | ±.1183          |
|                      |                               |   |                 | ±.1191          |
|                      |                               |   |                 | ±.1199          |
|                      |                               |   |                 | ±.1207          |
|                      |                               |   |                 | ±.1215          |
|                      |                               |   |                 | ±.1223          |
|                      |                               |   |                 | ±.1231          |
|                      |                               |   |                 | ±.1239          |
|                      |                               |   |                 | ±.1247          |
|                      |                               |   |                 | ±.1255          |
|                      |                               |   |                 | ±.1263          |
|                      |                               |   |                 | ±.1271          |
|                      |                               |   |                 | ±.1279          |
|                      |                               |   |                 | ±.1287          |
|                      |                               |   |                 | ±.1295          |
|                      |                               |   |                 | ±.1303          |
|                      |                               |   |                 | ±.1311          |
|                      |                               |   |                 | ±.1319          |
|                      |                               |   |                 | ±.1327          |
|                      |                               |   |                 | ±.1335          |
|                      |                               |   |                 | ±.1343          |
|                      |                               |   |                 | ±.1351          |
|                      |                               |   |                 | ±.1359          |
|                      |                               |   |                 | ±.1367          |
|                      |                               |   |                 | ±.1375          |
|                      |                               |   |                 | ±.1383          |
|                      |                               |   |                 | ±.1391          |
|                      |                               |   |                 | ±.1399          |
|                      |                               |   |                 | ±.1407          |
|                      |                               |   |                 | ±.1415          |
|                      |                               |   |                 | ±.1423          |
|                      |                               |   |                 | ±.1431          |
|                      |                               |   |                 | ±.1439          |
|                      |                               |   |                 | ±.1447          |
|                      |                               |   |                 | ±.1455          |
|                      |                               |   |                 | ±.1463          |
|                      |                               |   |                 | ±.1471          |
|                      |                               |   |                 | ±.1479          |
|                      |                               |   |                 | ±.1487          |
|                      |                               |   |                 | ±.1495          |
|                      |                               |   |                 | ±.1503          |
|                      |                               |   |                 | ±.1511          |
|                      |                               |   |                 | ±.1519          |
|                      |                               |   |                 | ±.1527          |
|                      |                               |   |                 | ±.1535          |
|                      |                               |   |                 | ±.1543          |
|                      |                               |   |                 | ±.1551          |
|                      |                               |   |                 | ±.1559          |
|                      |                               |   |                 | ±.1567          |
|                      |                               |   |                 | ±.1575          |
|                      |                               |   |                 | ±.1583          |
|                      |                               |   |                 | ±.1591          |
|                      |                               |   |                 | ±.1599          |
|                      |                               |   |                 | ±.1607          |
|                      |                               |   |                 | ±.1615          |
|                      |                               |   |                 | ±.1623          |
|                      |                               |   |                 | ±.1631          |
|                      |                               |   |                 | ±.1639          |
|                      |                               |   |                 | ±.1647          |
|                      |                               |   |                 | ±.1655          |
|                      |                               |   |                 | ±.1663          |
|                      |                               |   |                 | ±.1671          |
|                      |                               |   |                 | ±.1679          |
|                      |                               |   |                 | ±.1687          |
|                      |                               |   |                 | ±.1695          |
|                      |                               |   |                 | ±.1703          |
|                      |                               |   |                 | ±.1711          |
|                      |                               |   |                 | ±.1719          |
|                      |                               |   |                 | ±.1727          |
|                      |                               |   |                 | ±.1735          |
|                      |                               |   |                 | ±.1743          |
|                      |                               |   |                 | ±.1751          |
|                      |                               |   |                 | ±.1759          |
|                      |                               |   |                 | ±.1767          |
|                      |                               |   |                 | ±.1775          |
|                      |                               |   |                 | ±.1783          |
|                      |                               |   |                 | ±.1791          |
|                      |                               |   |                 | ±.1799          |
|                      |                               |   |                 | ±.1807          |
|                      |                               |   |                 | ±.1815          |
|                      |                               |   |                 | ±.1823          |
|                      |                               |   |                 | ±.1831          |
|                      |                               |   |                 | ±.1839          |
|                      |                               |   |                 | ±.1847          |
|                      |                               |   |                 | ±.1855          |
|                      |                               |   |                 | ±.1863          |
|                      |                               |   |                 | ±.1871          |
|                      |                               |   |                 | ±.1879          |
|                      |                               |   |                 | ±.1887          |
|                      |                               |   |                 | ±.1895          |
|                      |                               |   |                 | ±.1903          |
|                      |                               |   |                 | ±.1911          |
|                      |                               |   |                 | ±.1919          |
|                      |                               |   |                 | ±.1927          |
|                      |                               |   |                 | ±.1935          |
|                      |                               |   |                 | ±.1943          |
|                      |                               |   |                 | ±.1951          |
|                      |                               |   |                 | ±.1959          |
|                      |                               |   |                 | ±.1967          |
|                      |                               |   |                 | ±.1975          |
|                      |                               |   |                 | ±.1983          |
|                      |                               |   |                 | ±.1991          |
|                      |                               |   |                 | ±.1999          |
|                      |                               |   |                 | ±.2007          |
|                      |                               |   |                 | ±.2015          |
|                      |                               |   |                 | ±.2023          |
|                      |                               |   |                 | ±.2031          |
|                      |                               |   |                 | ±.2039          |
|                      |                               |   |                 | ±.2047          |
|                      |                               |   |                 | ±.2055          |
|                      |                               |   |                 | ±.2063          |
|                      |                               |   |                 | ±.2071          |
|                      |                               |   |                 | ±.2079          |
|                      |                               |   |                 | ±.2087          |
|                      |                               |   |                 | ±.2095          |
|                      |                               |   |                 | ±.2103          |
|                      |                               |   |                 | ±.2111          |
|                      |                               |   |                 | ±.2119          |
|                      |                               |   |                 | ±.2127          |
|                      |                               |   |                 | ±.2135          |
|                      |                               |   |                 | ±.2143          |
|                      |                               |   |                 | ±.2151          |
|                      |                               |   |                 | ±.2159          |
|                      |                               |   |                 | ±.2167          |
|                      |                               |   |                 | ±.2175          |
|                      |                               |   |                 | ±.2183          |
|                      |                               |   |                 | ±.2191          |
|                      |                               |   |                 | ±.2199          |
|                      |                               |   |                 | ±.2207          |
|                      |                               |   |                 | ±.2215          |
|                      |                               |   |                 | ±.2223          |
|                      |                               |   |                 | ±.2231          |
|                      |                               |   |                 | ±.2239          |
|                      |                               |   |                 | ±.2247          |
|                      |                               |   |                 | ±.2255          |
|                      |                               |   |                 | ±.2263          |
|                      |                               |   |                 | ±.2271          |
|                      |                               |   |                 | ±               |

THIS DRAWING AND SPECIFICATIONS HEREIN ARE THE PROPERTY OF DIGITAL EQUIPMENT CORPORATION AND SHALL NOT BE REPRODUCED OR COPIED OR USED IN WHOLE OR IN PART AS THE BASIS FOR THE MANUFACTURE OR SALE OF ITEMS WITHOUT WRITTEN PERMISSION. COPYRIGHT © 1975 DIGITAL EQUIPMENT CORPORATION



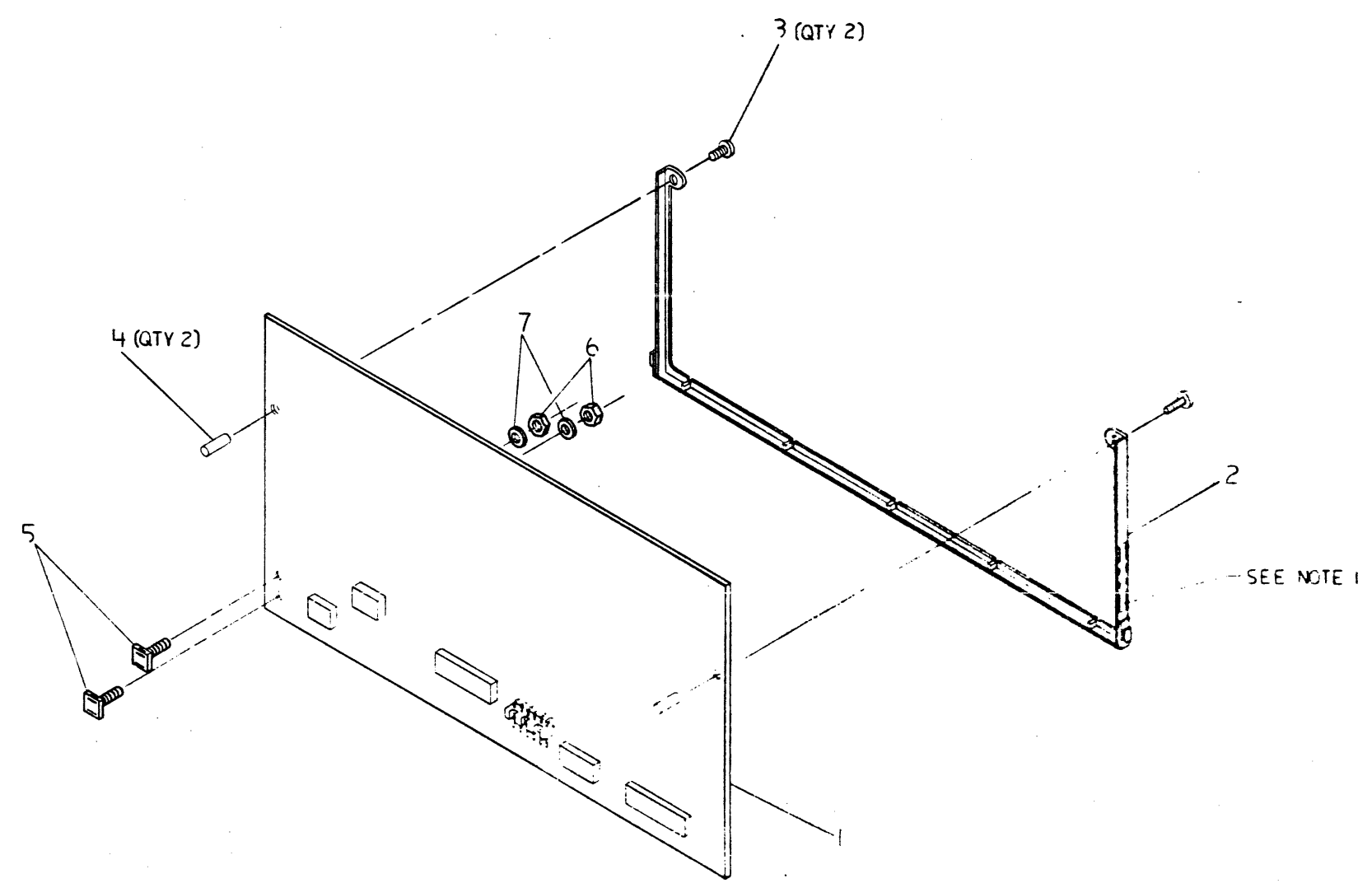
| REVISIONS |            |      |
|-----------|------------|------|
| CHK       | CHANGE NO. | REV. |
|           |            |      |

DCS 5413643-0-1 H

DAD 7018327-0-0 A

THIS DRAWING AND SPECIFICATIONS HEREIN ARE THE PROPERTY OF DIGITAL EQUIPMENT CORPORATION AND SHALL NOT BE REPRODUCED OR COPIED OR USED IN WHOLE OR IN PART AS THE BASIS FOR THE MANUFACTURE OR SALE OF ITEMS WITHOUT WRITTEN PERMISSION OF DIGITAL EQUIPMENT CORPORATION

NOTES:  
 1. ASSEMBLY TO BE MARKED WITH PART NUMBER AND LATEST REVISION APPROX AS SHOWN.



CAUTION: OFF SHEET PARTS LIST EXISTS. SEE K-PL-7018327-0-D BP (Z1746).

|      |             |     |
|------|-------------|-----|
| DATE | ECO NUMBER  | REV |
|      | RELEASED TO | A   |
|      | ECO CONTROL |     |
|      | PER PCO     |     |
|      | RABB-244    |     |

|  |                                  |                            |                             |
|--|----------------------------------|----------------------------|-----------------------------|
| DESCRIPTION  | DRAWING NO                       | PART NO.                   | ITEM NO.                    |
| UNLESS OTHERWISE SPECIFIED DIMENSIONS ARE IN INCHES AND THE FOLLOWING TOLERANCES APPLY (PER DEC STD 114) |                                  |                            |                             |
| INCHES TOLERANCES  | ANGLES ± 0° 30'                  | APPLICABLE DIMENSION RANGE | DIMENSION RANGE IN INCHES   |
| .X = ± .1  |                                  | (CHECK ONE)                | OVER 0 TO 0.2               |
| .XX = ± .02  |                                  | <input type="checkbox"/>   | OVER 0.2 TO 4.0             |
| .XXX = ± .008  |                                  | <input type="checkbox"/>   | OVER 4.0 TO 12.0            |
|  |                                  | <input type="checkbox"/>   | OVER 12.0 TO 40.0           |
|  |                                  | <input type="checkbox"/>   | OVER 40.0 TO 80.0           |
|  |                                  | <input type="checkbox"/>   | OVER 80.0 TO 100.0          |
| QUANTITY & VARIATION   |                                  |                            |                             |
|  |                                  |                            |                             |
| THIRD ANGLE PROJECTION   | DRN D. BEANLAND                  | DATE 6 JUN 81              | TITLE                       |
| DO NOT SCALE DRAWING   | CHKD W.C.M.                      | DATE 15 SEP 81             | PERSONALITY BD & STIFF ASSY |
| REMOVE BURRS AND BREAK SHARP CORNERS   | DES ENG J. H. U...               | DATE 17 SEP 81             |                             |
| MATERIAL   | REP ENG J.H. RICHMOND            | DATE 17 SEP 81             | DOCUMENT NUMBER             |
| SEE PARTS LIST   | MFG ENG W. B...                  | DATE 17 SEP 81             | DAD 7018327-0-0 A           |
| FINISH   | NEXT HIGHER DOC D-AD-7018330-0-0 |                            | SCALE: SHEET OF             |

| LINE ITEM | DOCUMENT NUMBER | PART NUMBER | DESCRIPTION                        | QUANTITY PER VARIATION |
|-----------|-----------------|-------------|------------------------------------|------------------------|
| 1         | 1               | 5414923-00  | RABO PERSONALITY                   | 1                      |
| 2         | 2               | 7422798-00  | STIFFENER, BOARD                   | 1                      |
| 3         | 3               | 9008212-00  | SCREW, NYLON, SLTD PAN HD, 6-32    | 2                      |
| 4         | 4               | 9006967-00  | SPACER, FIBER, RND, 6-32, .250 X   | 2                      |
| 5         | 5               | 9010267-00  | BASE, MTG. F/TIE, CABLE            | 2                      |
| 6         | 6               | 9007883-01  | NUT, HEX, NYLON 10-32X .375X .196T | 2                      |
| 7         | 7               | SEE NOTE 1  | WASHER, FLAT .577 OD .204 ID .068  | 2                      |

8 NOTE: 1. PART NUMBER FOR ITEM 7 (9008993-01) WAS NOT IN MASTER  
 9 NOTE: - PARTS FILE AT TIME OF ECO RELEASE.

| REVISION HISTORY |            | BASIC PART NO: 7018327 |                          | DRN: D. COFFEY |                    | DATE: 14-OCT-80  |                    | D I G I T A L                             |            |
|------------------|------------|------------------------|--------------------------|----------------|--------------------|------------------|--------------------|---|------------|
| ENG              | ECO NUMBER | REV                    | SECTION A OF A           | CHK'D:         | <i>W. Major</i>    | DATE:            | <i>17 SEP 81</i>   | TITLE                                     | PARTS LIST |
| ---              | INITIAL    | A                      | SECTION. VARIATION INDEX | CHK'D:         | W. MAJOR           | DATE:            | 26-NOV-80          | PERSONALITY BOARD &<br>STIFFENER ASSEMBLY |            |
|                  |            |                        | [A] 00                   |                | <i>G. Nordberg</i> | DES. ENG.:       | G. NORDBERG        | DATE:                                     | 26-NOV-80  |
|                  |            |                        | [B]                      |                | <i>B. Montero</i>  | RESP. ENG.:      | B. MONTERO         | DATE:                                     | 26-NOV-80  |
|                  |            |                        | [C]                      |                | <i>B. Bassett</i>  | MFG. ENG.:       | B. BASSETT         | DATE:                                     | 26-NOV-80  |
|                  |            |                        | [D]                      |                |                    | ASSEMBLY NUMBER: | D-AD-7018327-0-0   | TOP DOCUMENT NUMBER:                      |            |
|                  |            |                        | [E]                      |                |                    | FILE NAME:       | Z1746A.PLS         | EDIT #:                                   | 5          |
|                  |            |                        | [F]                      |                |                    | SIZE CODE NUMBER | K PL 7018327-0-DBP | REV                                       | A          |

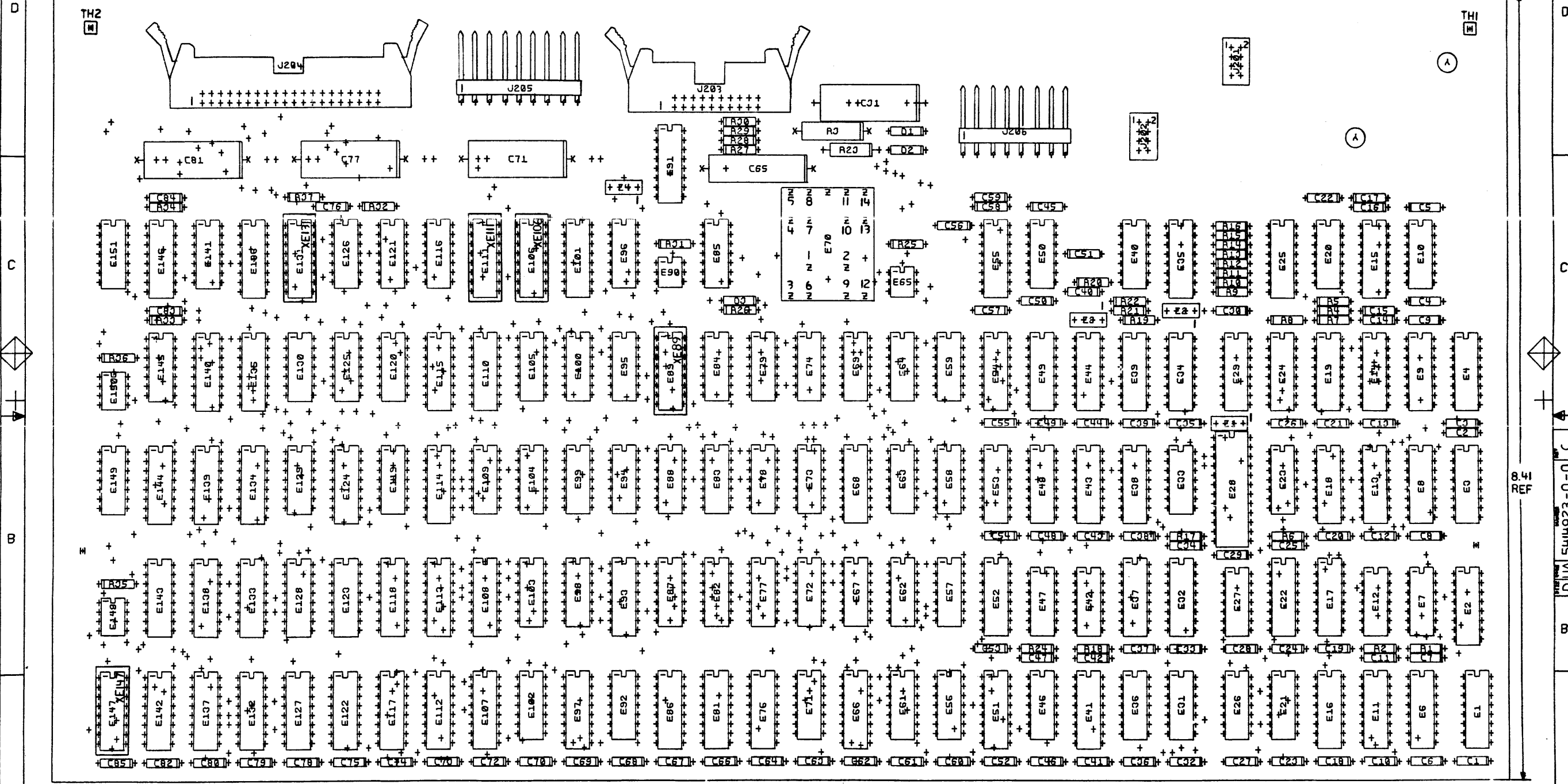
\* THIS DRAWING AND SPECIFICATIONS HEREIN, ARE THE PROPERTY OF DIGITAL EQUIPMENT CORPORATION AND SHALL NOT BE REPRODUCED OR COPIED OR USED IN WHOLE OR IN PART AS THE BASIS FOR THE MANUFACTURE OR SALE OF ITEMS WITHOUT WRITTEN PERMISSION. COPYRIGHT (C) 1981. DIGITAL EQUIPMENT CORPORATION \*

8 7 6 5 4 3 2 1

THIS DRAWING AND SPECIFICATIONS, HEREIN, AND THE  
 PROPERTY OF THE UNITED STATES GOVERNMENT AND WILL  
 NOT BE REPRODUCED OR COPIED IN WHOLE OR IN PART  
 WITHOUT THE WRITTEN PERMISSION OF THE SECRETARY OF  
 THE ARMY, WASHINGTON, D.C.

COMPONENT SIDE VIEW

15.68  
REF



NOTES: 1. E2 IS A SPARE I.C. LOCATION

STEP E → Y AXIS NA STEP TIMES  
 REPEAT → X AXIS NA STEP TIMES

| CHANGE NO | REV |
|-----------|-----|
| 1         | C   |
| 2         | D   |
| 3         | E   |
| 4         | F   |
| 5         | G   |
| 6         | H   |
| 7         | I   |
| 8         | J   |
| 9         | K   |
| 10        | L   |
| 11        | M   |
| 12        | N   |
| 13        | O   |
| 14        | P   |
| 15        | Q   |
| 16        | R   |
| 17        | S   |
| 18        | T   |
| 19        | U   |
| 20        | V   |
| 21        | W   |
| 22        | X   |
| 23        | Y   |
| 24        | Z   |

ETCH REV. D-P2

| SIGNATURES                       | DATE     | TITLE                |
|----------------------------------|----------|----------------------|
| DRN. <i>[Signature]</i>          | 9-10-71  | digital              |
| CHK'D. <i>[Signature]</i>        | 13-10-71 |                      |
| MECH. ENG. <i>[Signature]</i>    | 24-10-71 | TITLE RA80           |
| PROJ. ENG. <i>[Signature]</i>    | 24-10-71 | PERSONALITY          |
| PROD. <i>[Signature]</i>         | 24-10-71 |                      |
| SCALE 2/1                        |          | SIZE CODE NUMBER REV |
| SHT. 1 OF 1                      |          | D UA 5414923-0-01 C  |
| NEXT HIGHER ASSY. B-DD-5414923-0 |          |                      |

8 7 6 5 4 3 2 1

1 WD# 290031

| LINE | ITEM | DOCUMENT NUMBER  | PART NUMBER | DESCRIPTION                      | QTY | PER VARIATION | REFERENCE DESIGNATOR   |
|------|------|------------------|-------------|----------------------------------|-----|---------------|--|
|      |      |                  |             |                                  | 00  |               |  |
| 1    | 1    | D-MD-5014922-0-0 | 5014922-00  | DRILL AND ETCH BRD.              | 1   |               |  |
| 2    | 2    |                  | 1001610-00  | .01 MFD 50V +80-20% Z5U CER      | 47  |               | C2,C3,C4,C5,C7,C8,C9,C11,C12,<br>CONT C13,C14,C15,C16,C17,C19,C20,C21,<br>CONT C22,C24,C25,C26,C28,C29,C30,C33,<br>CONT C34,C35,C37,C38,C39,C40,C42,C43,<br>CONT C44,C45,C47,C48,C49,C50,C51,C53,<br>CONT C54,C55,C56,C57,C58,C59<br>C65 |
| 3    | 3    |                  | 1003274-00  | 15 MFD 16V +75-10% AL EL         | 1   |               | C31,C71,C77,C81  |
| 4    | 4    |                  | 1012084-03  | 150 MFD 15V +75-10% AL EL        | 4   |               | C1,C6,C10,C18,C23,C27,C32,C36,<br>CONT C41,C46,C52,C60,C61,C62,C63,C64,<br>CONT C66,C67,C68,C69,C70,C72,C73,C74,<br>CONT C75,C78,C79,C80,C82,C84,C85<br>C76  |
| 5    | 5    |                  | 1012784-00  | .047 MFD 50V +80-20% CER         | 31  |               | C83  |
| 6    | 6    |                  | 1013466-07  | 220.0 MMF 50V 5% CER             | 1   |               | D2   |
| 7    | 7    |                  | 1013466-28  | 1000.0 MMF 50V 5% CER            | 1   |               | D1,D3  |
| 8    | 8    |                  | 1104860-00  | 1N 746A VZ= 3.3 5%               | 1   |               | J205   |
| 9    | 9    |                  | 1105275-00  | D 672 TR= 15NS PIV= 60V SI       | 2   |               | J206   |
| 10   | 10   |                  | 1212204-03  | PCB HEADER 09PIN(1X09).156CC 90D | 1   |               | XE89,XE106,XE111,XE131,XE147   |
| 11   | 11   |                  | 1212204-06  | PCB HEADER 08PIN(1X08).156CC 90D | 1   |               | J203   |
| 12   | 12   |                  | 1215006-02  | SKT,IC 16PIN DIP TIN SOLD        | 5   |               | J204   |
| 13   | 13   |                  | 1216832-00  | PCB,HEADER 20POS(2X10).100CC 90D | 1   |               | J201,J202  |
| 14   | 14   |                  | 1216832-07  | PCB,HEADER 40POS(2X20).100CC 90D | 1   |               | E70  |
| 15   | 15   |                  | 1218414-00  | PCB,HEADER 08PIN(2X04).100CC 90D | 2   |               | E27,E96,E105   |
| 16   | 16   |                  | 1219011-01  | RLY,G.P., 5V COIL,4PDT,PC MTG    | 1   |               | E3,E4,E52,E53  |
| 17   | 17   |                  | 1300005-01  | R NETWORK 13-1K 5.0 % 14PIN      | 3   |               | R1,R2,R6,R17,R18,R24   |
| 18   | 18   |                  | 1300005-04  | R NETWORK 15-470 5.0 % 16PIN     | 4   |               | R28,R29  |
| 19   | 19   |                  | 1300229-00  | 100.0 .25 W 5.0 % CC             | 6   |               | R27,R30  |
| 20   | 20   |                  | 1300271-00  | 220.0 .25 W 5.0 % CC             | 2   |               | R25,R31  |
| 21   | 21   |                  | 1300295-00  | 330.0 .25 W 5.0 % CC             | 2   |               |  |
| 22   | 22   |                  | 1300316-00  | 470.0 .25 W 5.0 % CC             | 2   |               |  |

| REVISION HISTORY |               | BASIC PART NO: 5414923 |                         | DRN:             | T. JORSTAD  | DATE:                | 8-APR-82 | DIGITAL          |      |               |        |
|------------------|---------------|------------------------|-------------------------|------------------|-------------|----------------------|----------|------------------|------|---------------|--------|
| ENG              | ECO NUMBER    | REV                    | SECTION A OF A          | CHK'D:           | B. CARNEY   | DATE:                | 8-APR-82 | PARTS LIST       |      |               |        |
|                  | INITIAL       | A                      | SECTION VARIATION INDEX |                  |             |                      |          | RABO PERSONALITY |      |               |        |
| RC               | 5414923-CX002 | B                      | [A] 00                  |                  |             |                      |          |                  |      |               |        |
| RC               | 5414923-CX004 | C                      | [B]                     | DES.ENG:         | B. CARNEY   | DATE:                | 8-APR-82 |                  |      |               |        |
|                  |               |                        | [C]                     |                  |             |                      |          | DOCUMENT NUMBER  |      |               |        |
|                  |               |                        | [D]                     |                  |             |                      |          | SIZE             | CODE | NUMBER        | REV    |
|                  |               |                        | [E]                     | RESP.ENG.:       | B. MATHRANI | DATE:                | 8-APR-82 |                  |      |               |        |
|                  |               |                        | [F]                     |                  |             |                      |          | K                | PL   | 5414923-0-DBP | C      |
|                  |               |                        | [G]                     | MFG.ENG.:        | W. EHRMANN  | DATE:                | 8-APR-82 |                  |      |               |        |
|                  |               |                        | [H]                     | ASSEMBLY NUMBER: |             | TOP DOCUMENT NUMBER: |          |                  |      | FILE NAME:    | EDIT # |
|                  |               |                        | [I]                     | D-UA-5414923-0-0 |             | B-DD-5414923-0       |          |                  |      | Z1799C.PLS    | 16     |
|                  |               |                        | [J]                     |                  |             |                      |          |                  |      |               |        |
|                  |               |                        | [K]                     |                  |             |                      |          |                  |      |               |        |
|                  |               |                        | [L]                     |                  |             |                      |          |                  |      |               |        |
|                  |               |                        | [M]                     |                  |             |                      |          |                  |      |               |        |
|                  |               |                        | [N]                     |                  |             |                      |          |                  |      |               |        |

"THIS DRAWING AND SPECIFICATIONS HEREIN, ARE THE PROPERTY OF DIGITAL EQUIPMENT CORPORATION AND SHALL NOT BE REPRODUCED OR COPIED OR USED IN WHOLE OR IN PART AS THE BASIS FOR THE MANUFACTURE OR SALE OF ITEMS WITHOUT WRITTEN PERMISSION.

COPYRIGHT (C) 1982. DIGITAL EQUIPMENT CORPORATION "

| LINE | ITEM | DOCUMENT NUMBER | PART NUMBER | DESCRIPTION                  | QTY | PER VARIATION | REFERENCE DESIGNATOR                                       |
|------|------|-----------------|-------------|------------------------------|-----|---------------|--|
|      |      |                 |             |                              | 00  |               |  |
| 23   | 23   |                 | 1300365-00  | 1.0 K .25 W 5.0 % CC         | 2   |               | R32,R37  |
| 24   | 24   |                 | 1300479-00  | 10.0 K .25 W 5.0 % CC        | 4   |               | R26,R33,R35,R36  |
| 25   | 25   |                 | 1300539-00  | 120.0 K .25 W 5.0 % CC       | 1   |               | R34  |
| 26   | 26   |                 | 1302253-00  | 27.0 .50 W 5.0 % CC          | 1   |               | R23  |
| 27   | 27   |                 | 1309995-00  | 56.0 .50 W 5.0 % CC          | 1   |               | R3   |
| 28   | 28   |                 | 1318341-00  | 46.40 .25 W 1.0 % RN55D-F10  | 8   |               | R7,R8,R9,R11,R13,R15,R19,R21                               |
| 29   | 29   |                 | 1318341-02  | 187.0 .25 W 1.0% RN55D-F100  | 8   |               | R4,R5,R10,R12,R14,R16,R20,R22                              |
| 30   | 30   |                 | 1318342-00  | R NETWORK 8-56.2 8-316 16PIN | 2   |               | E15,E55  |
| 31   | 31   |                 | 1618336-00  | DELAY= 10NS                  | 2   |               | E23,E33  |
| 32   | 32   |                 | 1618337-00  | DELAY= 18NS                  | 2   |               | E7,E47   |
| 33   | 33   |                 | 1618343-00  | PULSE XFMR,RATIO 1:1:1, 80UH | 4   |               | E10,E20,E40,E50  |
| 34   | 34   |                 | 1618574-00  | CORE,BUSBAR CHORE            | 2   |               | E12,E42  |
| 35   | 35   |                 | 1910406-00  | 75451 DRIVER,PERIPH,DUAL,    | 1   |               | E150   |
| 36   | 36   |                 | 1910532-00  | 74S00 NAND GATE-QUAD 2IN     | 1   |               | E72  |
| 37   | 37   |                 | 1910534-00  | 74S04 INVERTER GATE-HEX 1I   | 2   |               | E31,E88  |
| 38   | 38   |                 | 1910544-00  | 74S74 FF-D DUAL,EDGE TRIGG   | 1   |               | E104   |
| 39   | 39   |                 | 1910544-01  | 74S74-60GG-D DUAL,EDGE TRIG  | 3   |               | E58,E63,E119   |
| 40   | 40   |                 | 1910547-00  | 74S153 MUX 1 OF 4 (DUAL)     | 1   |               | E11  |
| 41   | 41   |                 | 1910550-00  | 74S174 FF-D HEX              | 1   |               | E76  |
| 42   | 42   |                 | 1910957-00  | 74S175 FF-D QUAD COMMON CLO  | 4   |               | E86,E97,E114,E124  |
| 43   | 43   |                 | 1911036-00  | 75453 DRIVER,PERIPH,DUAL,    | 1   |               | E148   |
| 44   | 44   |                 | 1911404-00  | 10107 XOR/NOR GATE,3-2IN     | 2   |               | E17,E37  |
| 45   | 45   |                 | 1911410-00  | 10117 OR/AND GATE,DUAL 2-3   | 2   |               | E8,E48   |
| 46   | 46   |                 | 1911414-00  | 10124 TTL TO ECL TRNSLTR     | 2   |               | E22,E32  |
| 47   | 47   |                 | 1911415-00  | 10125 ECL TO TTL TRNSLTR     | 3   |               | E16,E41,E91  |
| 48   | 48   |                 | 1911420-00  | 10174 DUAL 4 TO 1 MUX        | 2   |               | E29,E34  |
| 49   | 49   |                 | 1911712-00  | 74S51 AND-OR GATE-INVERT D   | 2   |               | E85,E99  |
| 50   | 50   |                 | 1912096-00  | DEC 74S86 XOR GATE,QUAD 2IN  | 2   |               | E67,E151   |
| 51   | 51   |                 | 1912388-00  | 74S02 NOR GATE-QUAD 2IN,PO   | 1   |               | E87  |
| 52   | 52   |                 | 1912646-00  | LS253 MUX 1 OF 4 (DUAL)      | 4   |               | E135,E136,E139,E143  |
| 53   | 53   |                 | 1912696-00  | LS194A SHIFT REG.,4BIT BI-D  | 2   |               | E81,E140   |
| 54   | 54   |                 | 1912697-00  | LS174 FF-D HEX W/CLEAR       | 1   |               | E113   |
| 55   | 55   |                 | 1912799-00  | LS00 NAND-GATE-QUAD 2IN,P    | 2   |               | E102,E126  |
| 56   | 56   |                 | 1912801-00  | LS02 NOR-GATE-QUAD 2IN       | 3   |               | E84,E92,E125   |
| 57   | 57   |                 | 1912803-00  | LS04 INVERTER GATE,HEX       | 3   |               | E62,E64,E120   |
| 58   | 58   |                 | 1912805-00  | LS08 AND GATE-QUAD 2IN,PO    | 4   |               | E57,E100,E103,E129   |
| 59   | 59   |                 | 1912811-00  | LS21 AND GATE-DUAL 4IN,PO    | 1   |               | E121   |
| 60   | 60   |                 | 1912816-00  | LS32 OR GATE-QUAD 2IN,POS    | 1   |               | E59  |
| 61   | 61   |                 | 1912817-00  | LS37 NAND GATE-QUAD 2IN,P    | 1   |               | E79  |
| 62   | 62   |                 | 1912820-00  | LS51 A-O-I GATE 2-WIDE 2I    | 3   |               | E82,E94,E109   |
| 63   | 63   |                 | 1912821-00  | LS54 A-O-I GATE,3-2-2-3IN    | 1   |               | E83  |
| 64   | 64   |                 | 1912824-00  | LS74 FF-D DUAL,EDGE TRIGG    | 12  |               | E26,E46,E56,E69,E73,E74,E77,E78,<br>CONT E95,E98,E145,E149 |
| 65   | 65   |                 | 1912834-00  | LS112 FF-JK,DUAL,EDGE TRIG   | 1   |               | E101   |
| 66   | 66   |                 | 1912837-00  | LS123 ONE SHOT-DUAL,RETRIG   | 1   |               | E146   |
| 67   | 67   |                 | 1912839-00  | LS133 NAND GATE-POS          | 1   |               | E66  |
| 68   | 68   |                 | 1912844-00  | LS151 MUX 1 OF 8 & DATA      | 1   |               | E108   |
| 69   | 69   |                 | 1912849-00  | LS161 COUNTER,SYNCHR,4BIT    | 2   |               | E93,E107   |

|   |   |   |   |   |   |   |                  |           |      |      |      |                 |     |
|---|---|---|---|---|---|---|------------------|-----------|------|------|------|-----------------|-----|
| D | I | G | I | T | A | L | TITLE            | SECTION A | OF A | SIZE | CODE | DOCUMENT NUMBER | REV |
|   |   |   |   |   |   |   | RABO PERSONALITY |           |      | K    | PL   | 5414923-0-DBP   | C   |



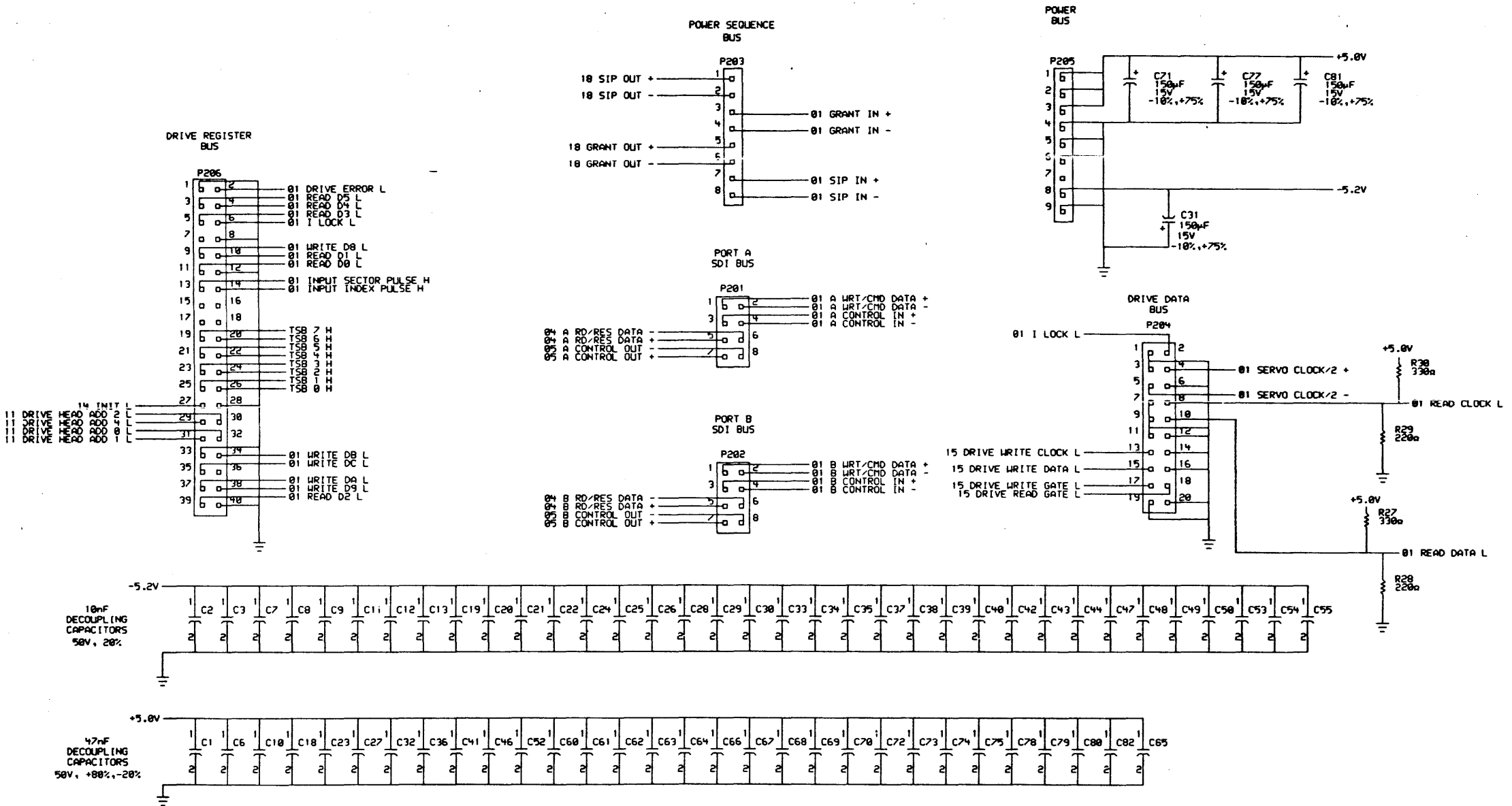
| LINE ITEM | DOCUMENT NUMBER | PART NUMBER | DESCRIPTION                   | QTY PER VARIATION<br>00 | REFERENCE DESIGNATOR                   |
|-----------|-----------------|-------------|-------------------------------|-------------------------|--|
| 70        | 70              | 1912850-00  | LS164 SHIFT REG. 8BIT SERI    | 6                       | E21,E36,E61,E71,E116,E130              |
| 71        | 71              | 1912853-00  | LS175 FF-D QUAD               | 7                       | E115,E127,E132,E134,E137,E142,<br>E144 |
| 72        | 72              | 1912860-00  | LS259 LATCH 8BIT              | 1                       | E6                                     |
| 73        | 73              | 1912864-00  | LS279 LATCH,QUAD-S-R          | 1                       | E68                                    |
| 74        | 74              | 1913009-00  | 4N36 OPTO COUPLED ISLTR       | 2                       | E65,E90                                |
| 75        | 75              | 1913414-00  | LS14 INVERTER GATE-HEX SC     | 1                       | E141                                   |
| 76        | 76              | 1913839-00  | LS165 SHIFT REG.,8BIT         | 5                       | E110,E112,E118,E123,E128               |
| 77        | 77              | 1914845-00  | 2918 FF-D QUAD TRI-STATE      | 2                       | E133,E138                              |
| 78        | 78              | 1915234-00  | 74LS390PC COUNTER,DECADE,DUAL | 2                       | E117,E122                              |
| 79        | 79              | 1916574-00  | 10114 RECEIVER,LINE,TRIPL     | 4                       | E9,E14,E49,E54                         |
| 80        | 80              | 1917289-00  | 100102 OR/NOR GATE,QUINT,2    | 1                       | E28                                    |
| 81        | 81              | 1917839-00  | 10192 LINE DRIVER,QUAD DIF    | 4                       | E19,E25,E35,E39                        |
| 82        | 82              | 1918346-00  | RC NETWORK MULTI-VALUE        | 4                       | Z1,Z2,Z3,Z4                            |
| 83        | 83              | 1918353-00  | 10231 FF-D MASTER-SLAVE       | 8                       | E1,E13,E18,E24,E38,E43,E44,E51         |
| 84        | 84              | 23583A2-00  | A2-05                         | 1                       | E111                                   |
| 85        | 85              | 23584A2-00  | A2-05                         | 1                       | E131                                   |
| 86        | 86              | 23586A2-00  | A2-05                         | 1                       | E89                                    |
| 87        | 87              | 23628A2-00  | A2-05                         | 1                       | E106                                   |
| 88        | 88              | 23629A2-00  | A2-05                         | 1                       | E147                                   |

| D | I | G | I | T | A | L | TITLE            | SECTION A OF A | SIZE | CODE | DOCUMENT NUMBER | REV |
|---|---|---|---|---|---|---|------------------|----------------|------|------|-----------------|-----|
|   |   |   |   |   |   |   | RABO PERSONALITY |                | K    | PL   | 5414923-0-DBP   | C   |

8

REV. B  
5414923-0-01

NOTE: UNLESS OTHERWISE SPECIFIED:  
ALL RESISTORS ARE 1/4W, 5%.



| REV. | CHG. | NO. | REV. |
|------|------|-----|------|
| B    |      |     |      |

|   |                    |                               |                         |                   |                                |
|---|--------------------|-------------------------------|-------------------------|-------------------|--------------------------------|
| <b>digital</b>                            | DRN. <i>Boenel</i> | DATE 19-7-81                  | ENG. <i>OZ</i>          | DATE <i>11/11</i> | TITLE: RAB0 PERSONALITY MODULE |
| SUDS: <BOENEL>PRSN01P.DRW 11-MAR-81 18:28 |                    | DATE <i>Ames</i>              | BOARD LOCATION: 1 OF 19 | SIZE CODE D CS    | NUMBER 5414923-0-01            |
| FIRST USED ON OPTION/MODEL: RAB0-AA       |                    | NEXT HIGHER ASSEMBLY: RAB0-AA |                         | REV. B            |                                |

8

7

6

5

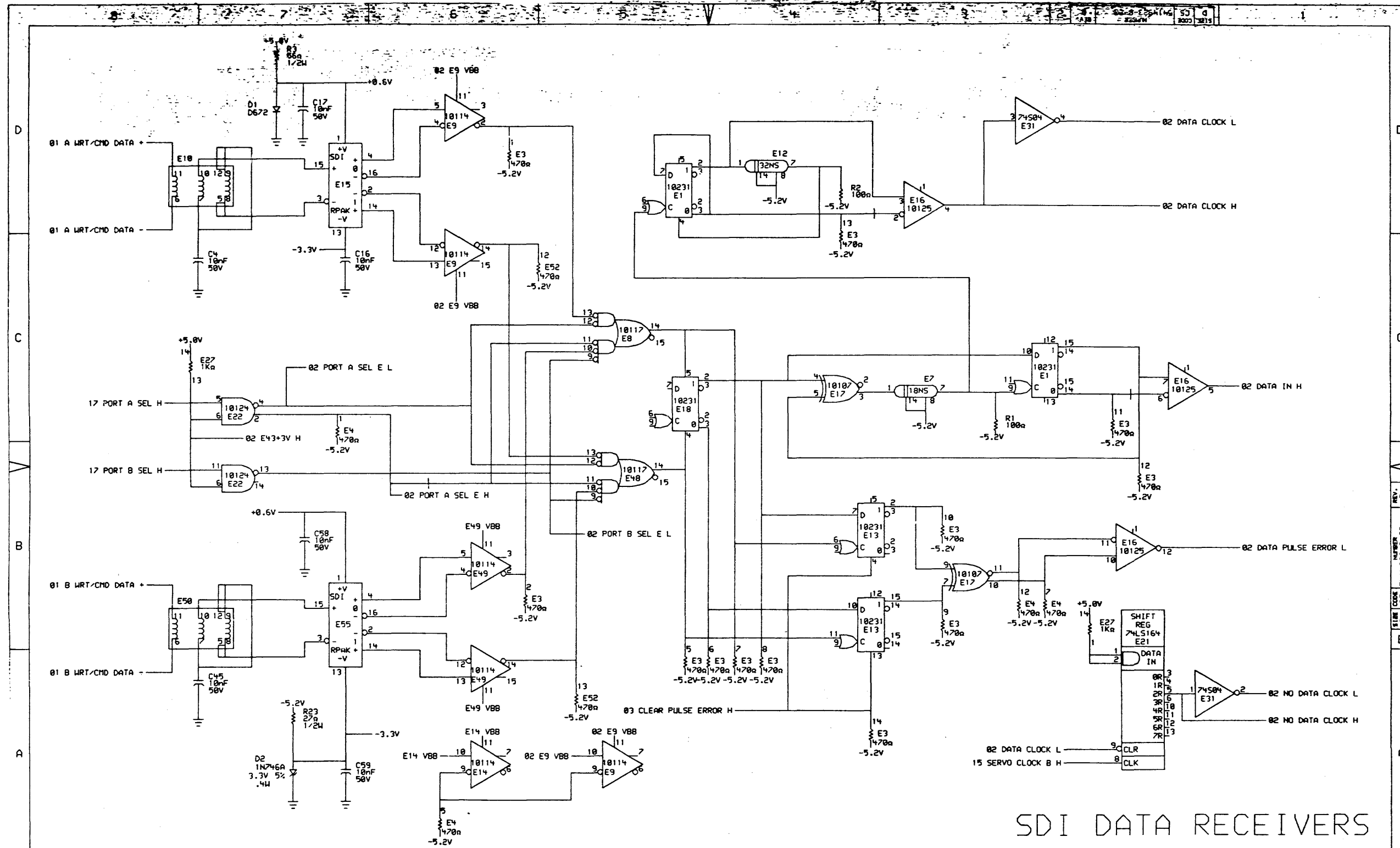
4

3

2

1

REV. B  
5414923-0-01



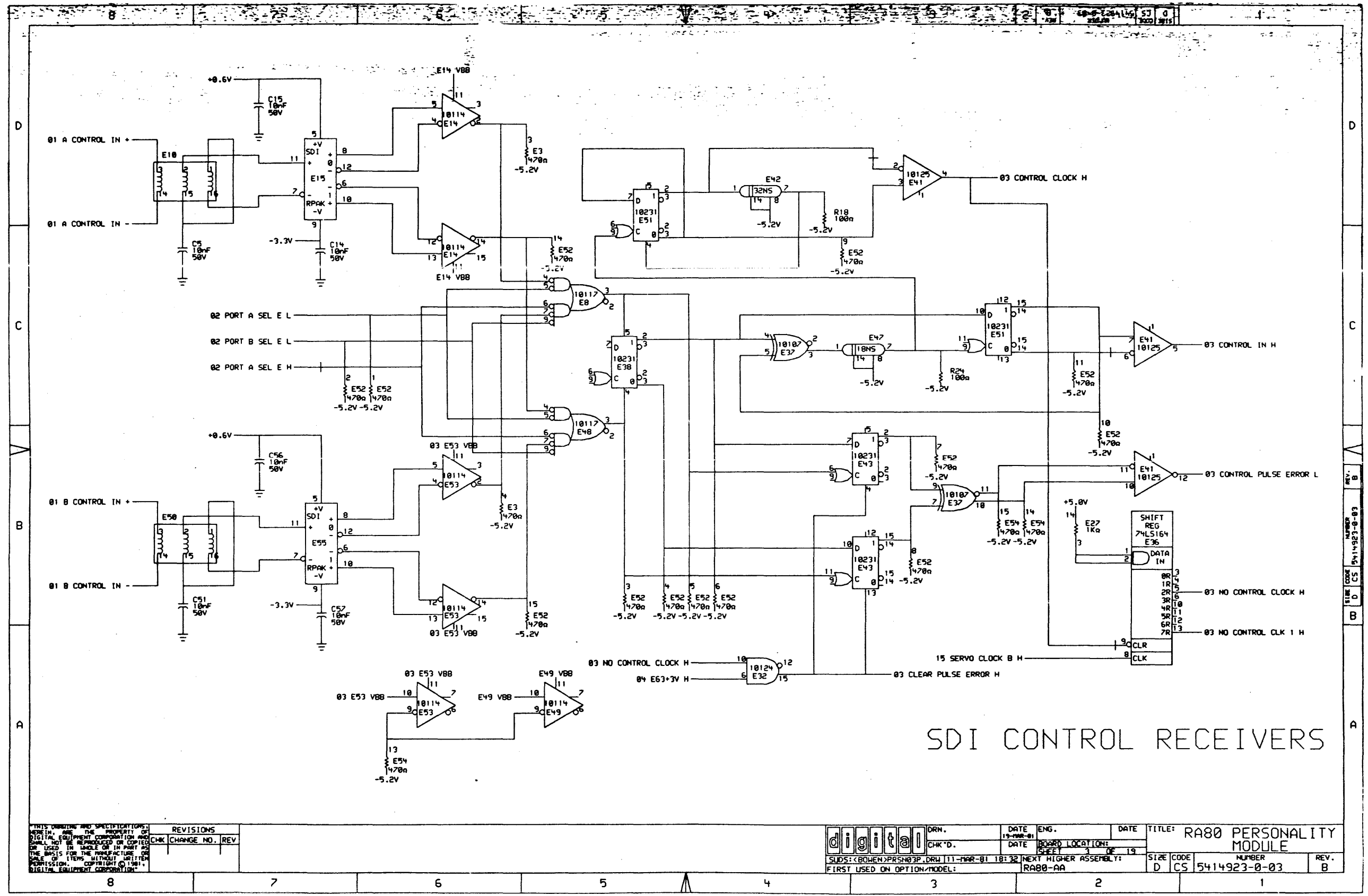
# SDI DATA RECEIVERS

THIS DRAWING AND SPECIFICATIONS HEREIN ARE THE PROPERTY OF DIGITAL EQUIPMENT CORPORATION AND SHALL NOT BE REPRODUCED OR COPIED OR USED IN WHOLE OR IN PART AS THE BASIS FOR THE MANUFACTURE OR SALE OF ITEMS WITHOUT WRITTEN PERMISSION. COPYRIGHT © 1981, DIGITAL EQUIPMENT CORPORATION.

| REVISIONS |                |
|-----------|----------------|
| CHK       | CHANGE NO. REV |
|           |                |

|  |        |                       |                 |        |        |
|--|--------|-----------------------|-----------------|--------|--------|
| digital                                    | DRN.   | DATE                  | ENG.            | DATE   | TITLE: |
|  | CHK'D. | DATE                  | BOARD LOCATION: | SHEET  | OF     |
| SLDS: <BOWEN> PRS782P.DRW 111-PAK-01 10:31 |        | NEXT HIGHER ASSEMBLY: |                 | SIZE   | CODE   |
| FIRST USED ON OPTION/MODEL:                |        | RAB0-AA               |                 | NUMBER | REV.   |

|                         |              |
|-------------------------|--------------|
| RAB0 PERSONALITY MODULE |              |
| D CS                    | 5414923-0-02 |
|                         | B            |



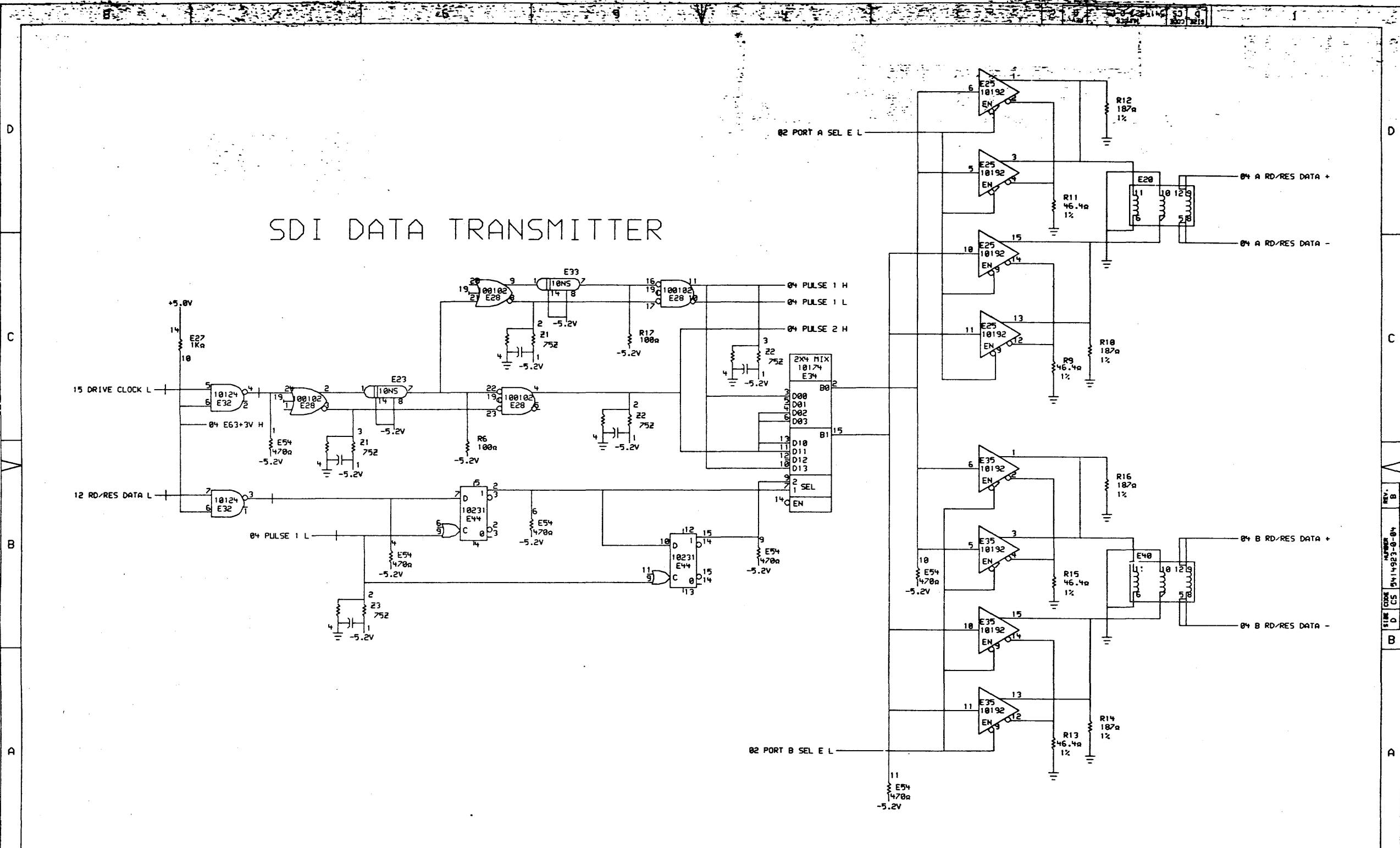
# SDI CONTROL RECEIVERS

THIS DRAWING AND SPECIFICATIONS HEREIN, ARE THE PROPERTY OF DIGITAL EQUIPMENT CORPORATION AND SHALL NOT BE REPRODUCED OR COPIED OR USED IN WHOLE OR IN PART AS THE BASIS FOR THE MANUFACTURE OR SALE OF ITEMS WITHOUT WRITTEN PERMISSION. COPYRIGHT © 1981 - DIGITAL EQUIPMENT CORPORATION.

| REVISIONS |                |
|-----------|----------------|
| CHK       | CHANGE NO. REV |
|           |                |

|   |      |                 |               |                                |
|---|------|-----------------|---------------|--------------------------------|
| DRW.  | DATE | ENG.            | DATE          | TITLE: RAB0 PERSONALITY MODULE |
| CHK'D.  | DATE | BOARD LOCATION: | SHEET 3 OF 19 |                                |
| SLDS: <BOWEN> PRSNO3P.DRW 11-MAR-81 18:32 NEXT HIGHER ASSEMBLY: |      |                 |               | SIZE CODE NUMBER REV.          |
| FIRST USED ON OPTION/MODEL: RAB0-AA                             |      |                 |               | D CS 5414923-0-03 B            |

# SDI DATA TRANSMITTER

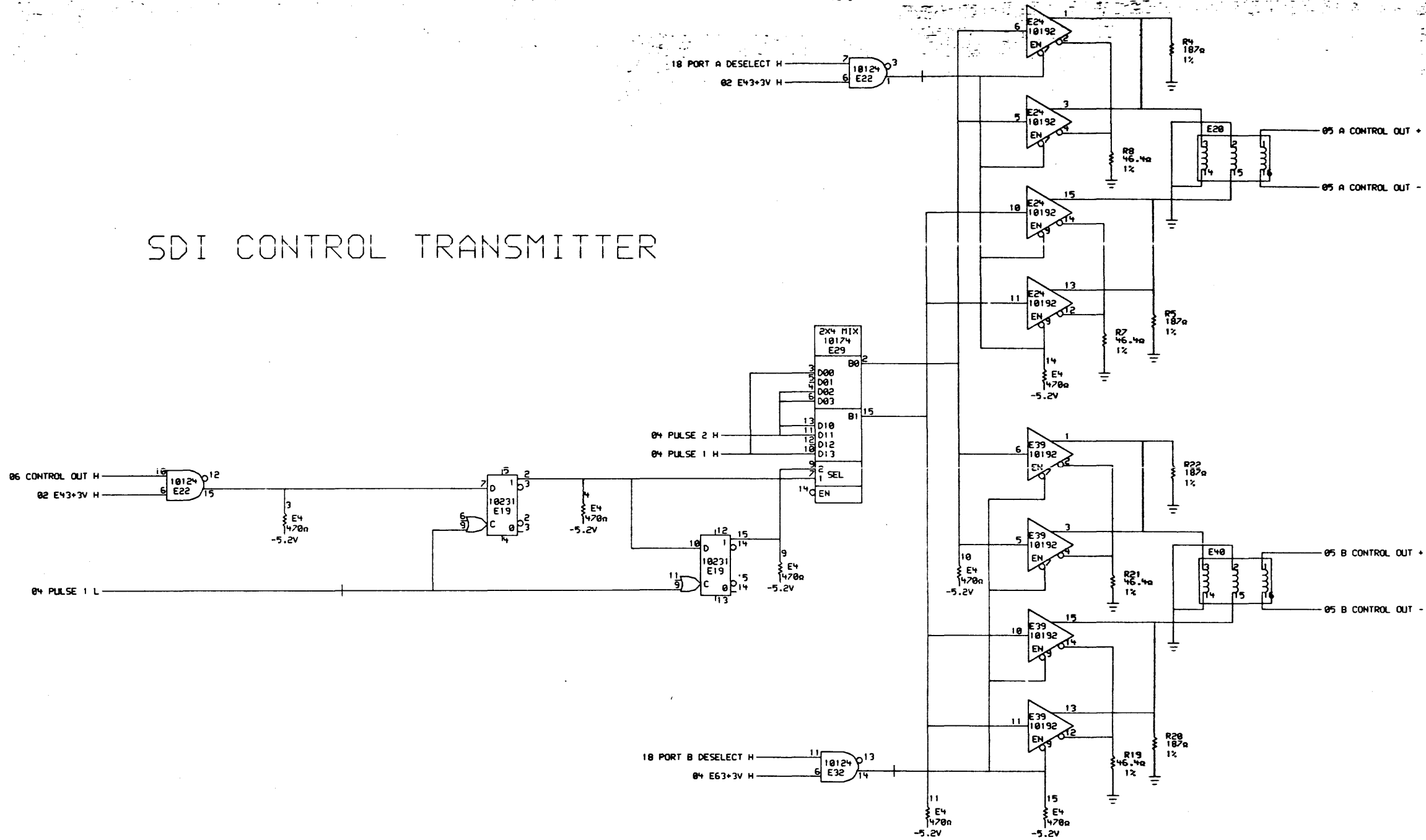


THIS DRAWING AND SPECIFICATIONS ARE THE PROPERTY OF DIGITAL EQUIPMENT CORPORATION AND SHALL NOT BE REPRODUCED OR COPIED OR USED IN WHOLE OR IN PART AS THE BASIS FOR THE MANUFACTURE OR SALE OF ITEMS WITHOUT WRITTEN PERMISSION. COPYRIGHT © 1981 DIGITAL EQUIPMENT CORPORATION.

| REVISIONS |                |
|-----------|----------------|
| CHK       | CHANGE NO. REV |
|           |                |

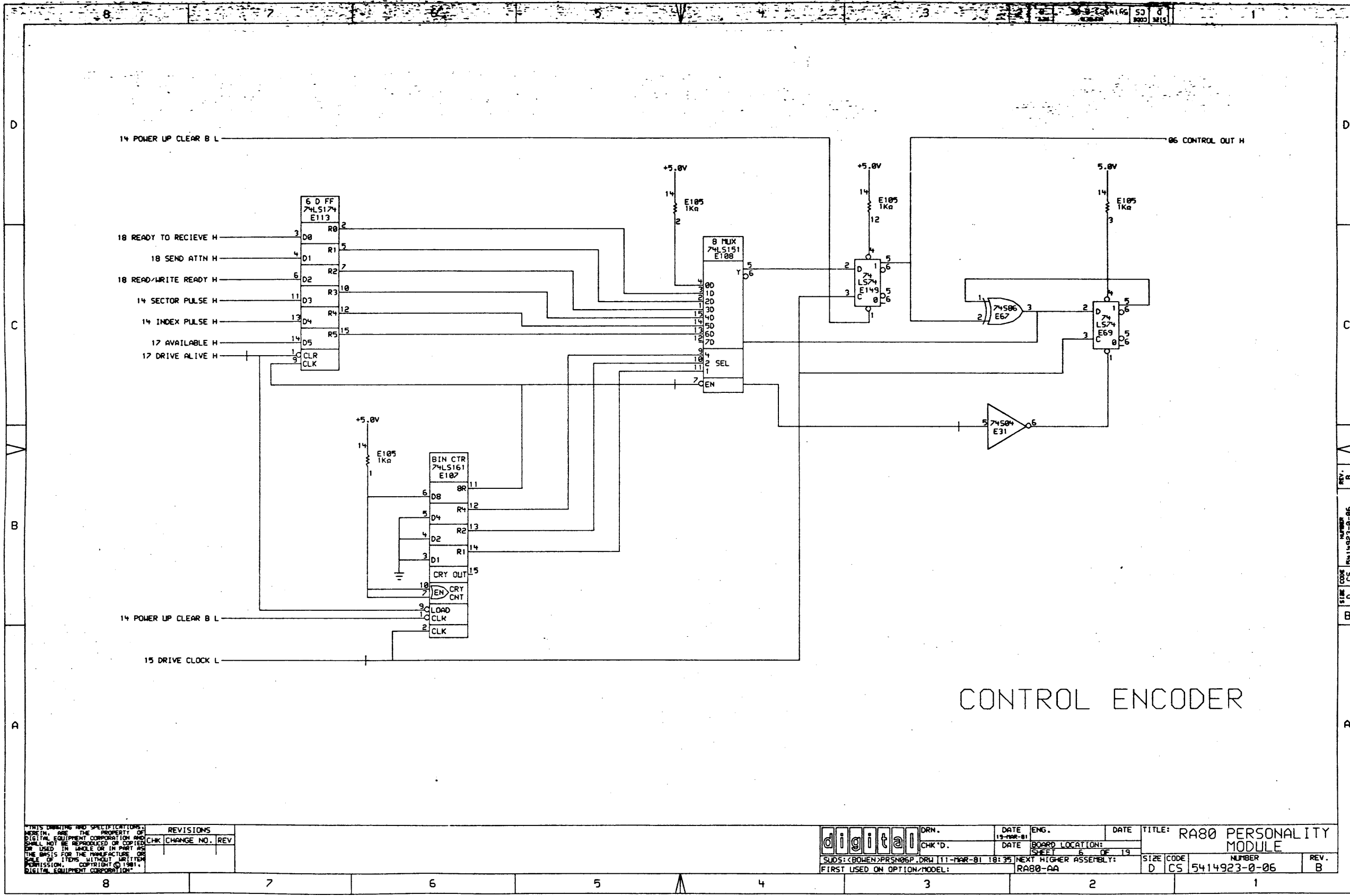
|   |        |                                   |                 |                     |                                |
|---|--------|-----------------------------------|-----------------|---------------------|--------------------------------|
| digital                                   | DRN.   | DATE                              | ENG.            | DATE                | TITLE: RAB0 PERSONALITY MODULE |
|   | CHK'D. | DATE                              | BOARD LOCATION: | SHEET 4 OF 13       | SIZE CODE NUMBER REV.          |
| SUDS: <BOWEN> PRSN04P.DRW 11-MAR-81 18:33 |        | NEXT HIGH-LEVEL ASSEMBLY: RAB0-AA |                 | D CS 5414923-0-04 B |                                |
| FIRST USED ON OPTION/MODEL:               |        |                                   |                 |                     |                                |

# SDI CONTROL TRANSMITTER



| REVISIONS |                |
|-----------|----------------|
| CHK       | CHANGE NO. REV |
|           |                |
|           |                |

|   |        |                               |                 |                 |                         |
|---|--------|-------------------------------|-----------------|-----------------|-------------------------|
|   | ORN.   | DATE                          | ENG.            | DATE            | TITLE:                  |
|   | CHK'D. | DATE                          | BOARD LOCATION: |                 | RAB0 PERSONALITY MODULE |
| SLD5: (BOJEN) PRSNDP, DRU 11-MAR-81 10:35 |        | NEXT HIGHER ASSEMBLY: RAB0-AA |                 | SIZE CODE: D CS | NUMBER: 5414923-0-05    |
| FIRST USED ON OPTION/MODEL:               |        | RAB0-AA                       |                 | REV. B          | REV. B                  |



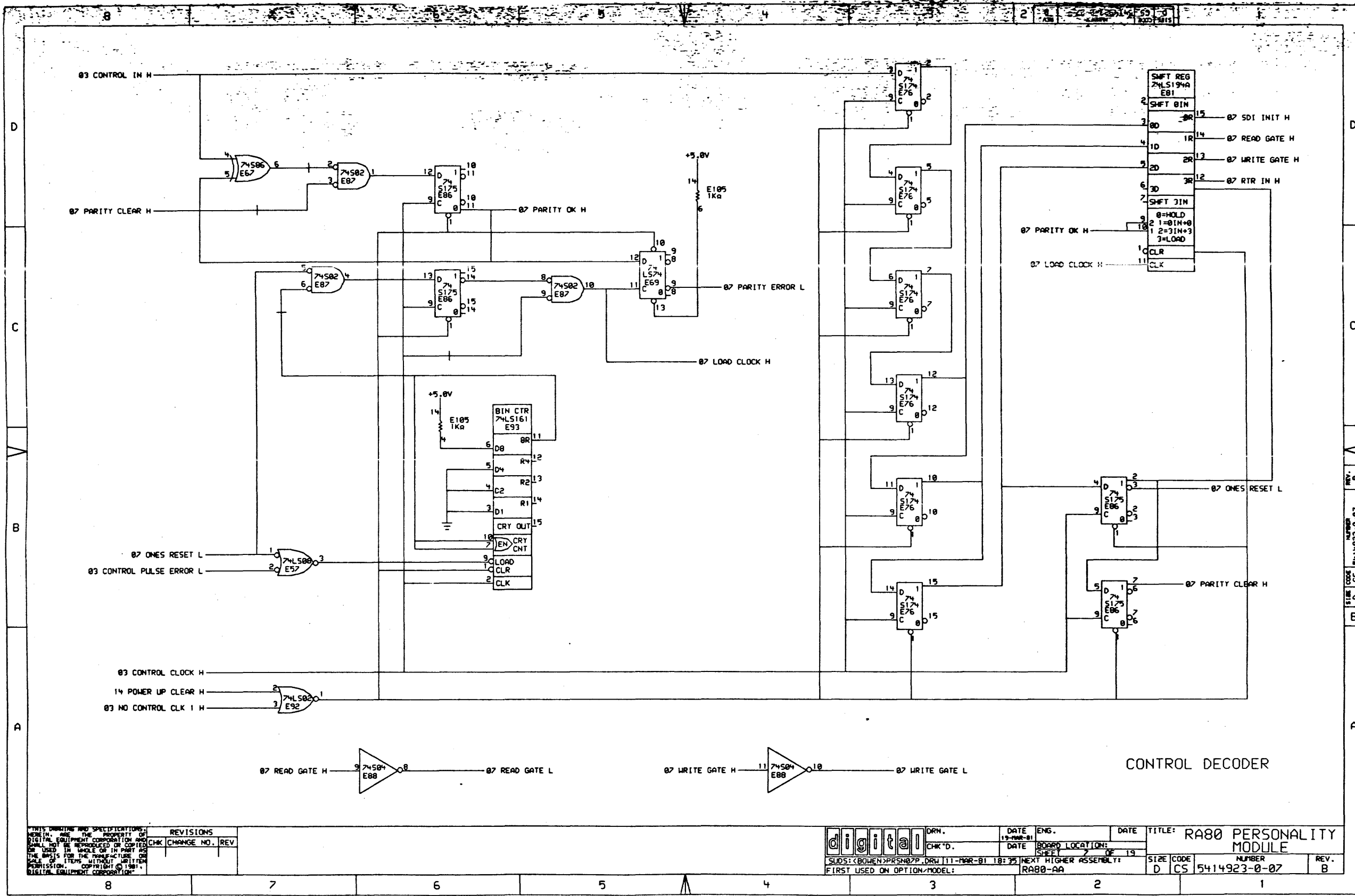
CONTROL ENCODER

THIS DRAWING AND SPECIFICATIONS ARE THE PROPERTY OF DIGITAL EQUIPMENT CORPORATION AND SHALL NOT BE REPRODUCED OR COPIED OR USED IN WHOLE OR IN PART AS THE BASIS FOR THE MANUFACTURE OR SALE OF ITEMS WITHOUT WRITTEN PERMISSION. COPYRIGHT © 1981 DIGITAL EQUIPMENT CORPORATION.

| REVISIONS |            |     |
|-----------|------------|-----|
| CHK       | CHANGE NO. | REV |
|           |            |     |

|   |        |      |                 |               |   |
|---|--------|------|-----------------|---------------|---|
| digital   | DRN.   | DATE | ENG.            | DATE          | TITLE: R80 PERSONALITY MODULE             |
|   | CHK'D. | DATE | BOARD LOCATION: | SHEET 6 OF 19 |   |
| SUDS:((BOHEN)PRSN06P.DRW   11-MAR-81 18:35 NEXT HIGHER ASSEMBLY: R80-AA |        |      |                 |               | SIZE CODE NUMBER REV. D CS 5414923-0-06 B |

REV. B  
NUMBER 5414923-0-06  
SIZE CODE CS

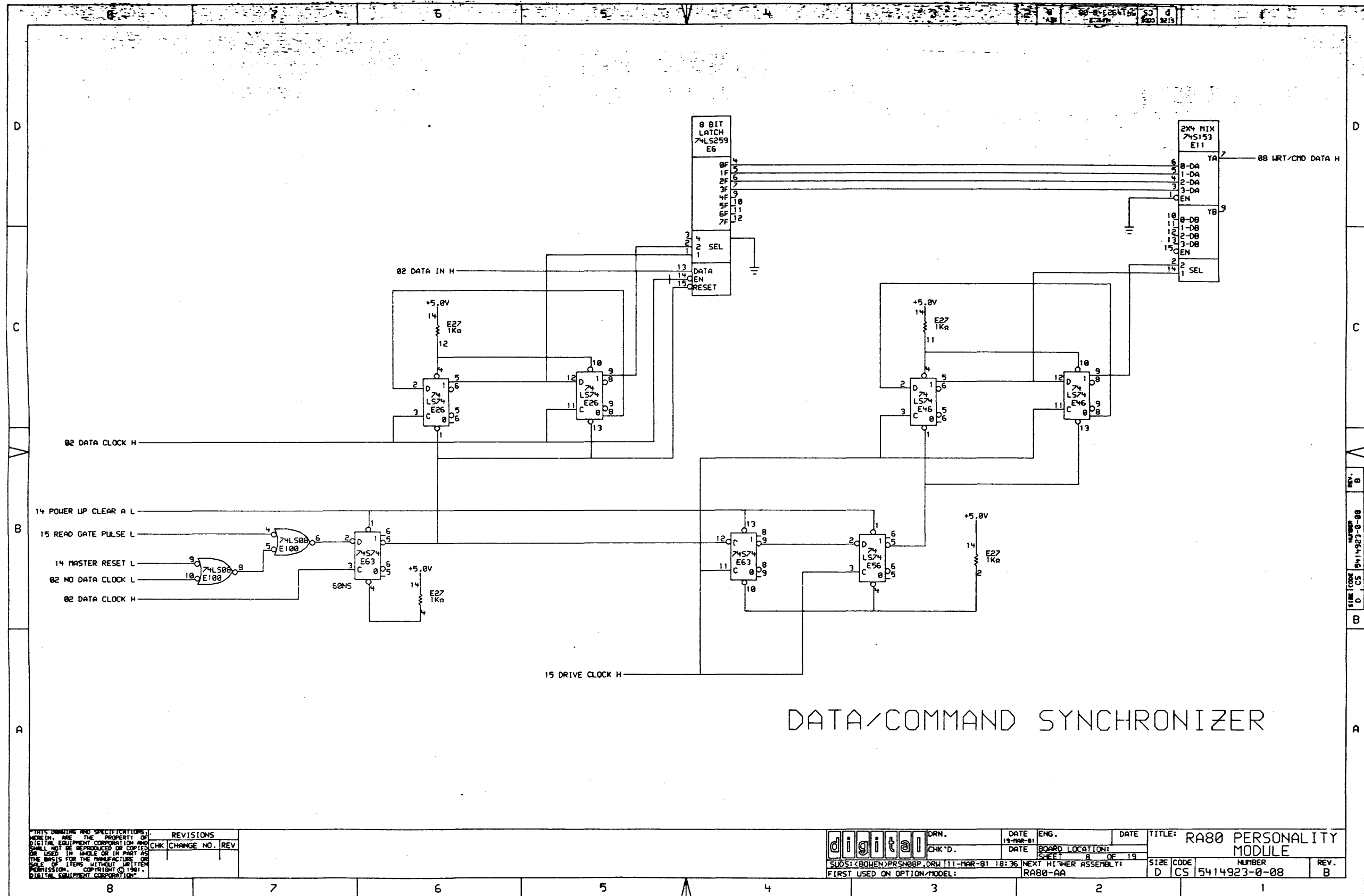


CONTROL DECODER

| REVISIONS  |      |
|------------|------|
| CHANGE NO. | REV. |
|            |      |

|   |        |      |                 |               |                                |
|---|--------|------|-----------------|---------------|--------------------------------|
| digital   | DRN.   | DATE | ENG.            | DATE          | TITLE: RAB0 PERSONALITY MODULE |
|   | CHK'D. | DATE | BOARD LOCATION: | SHEET 7 OF 19 | NUMBER                         |
| SUDS: (BOWEN) PRS807P_DRU 11-MAR-81 18:35 NEXT HIGHER ASSEMBLY: |        |      |                 | SIZE CODE     | REV. B                         |
| FIRST USED ON OPTION/MODEL: RAB0-AA                             |        |      |                 | D CS          | 5414923-0-07                   |



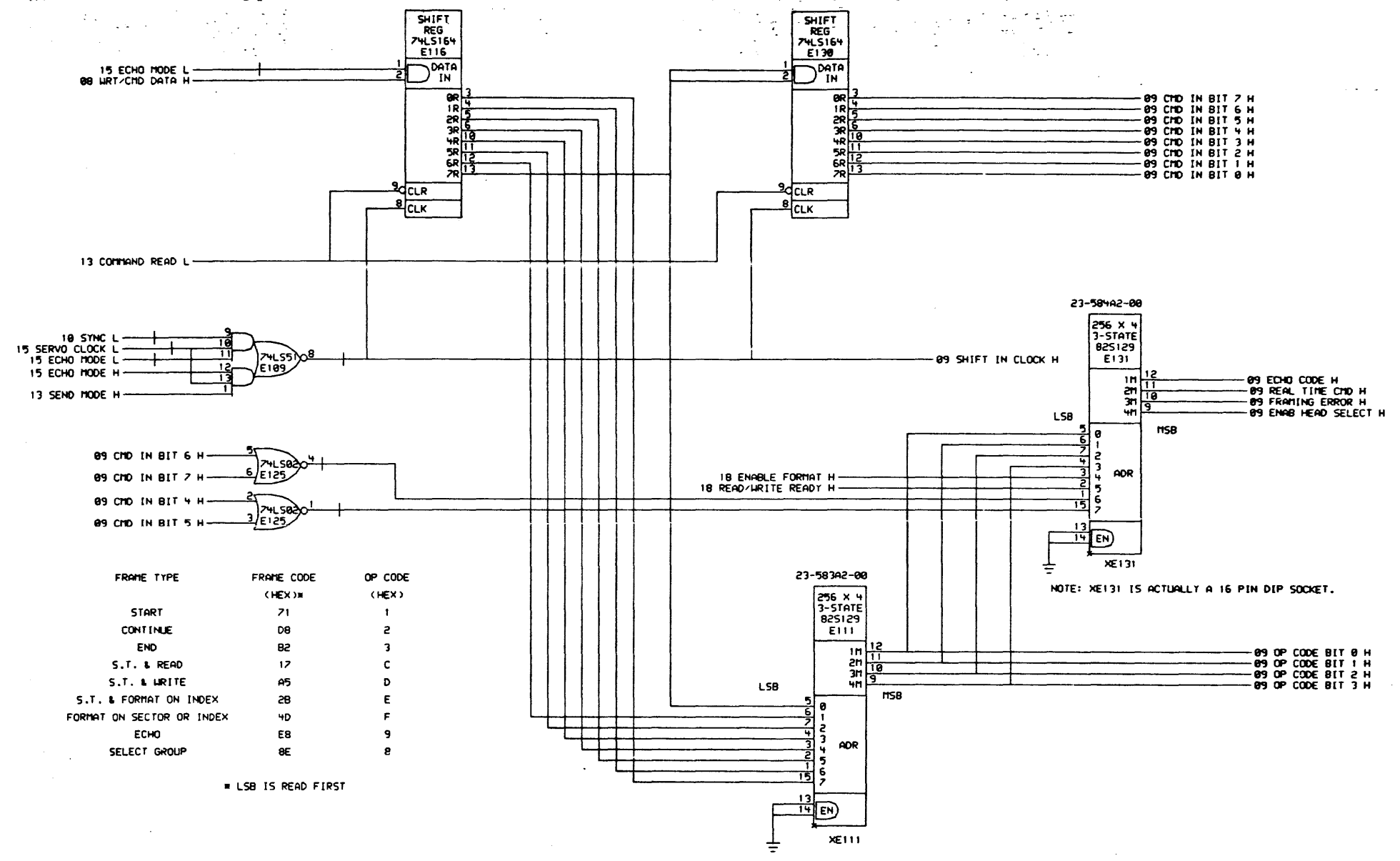


# DATA/COMMAND SYNCHRONIZER

THIS DRAWING AND SPECIFICATIONS ARE THE PROPERTY OF DIGITAL EQUIPMENT CORPORATION AND SHALL NOT BE REPRODUCED OR COPIED OR USED IN WHOLE OR IN PART AS THE BASIS FOR THE MANUFACTURE OR SALE OF ITEMS WITHOUT WRITTEN PERMISSION. COPYRIGHT © 1981 DIGITAL EQUIPMENT CORPORATION

| REVISIONS |            |     |
|-----------|------------|-----|
| CHK       | CHANGE NO. | REV |
|           |            |     |

|  |        |      |                 |       |                                |
|--|--------|------|-----------------|-------|--------------------------------|
|  | DRN.   | DATE | ENG.            | DATE  | TITLE: RAB0 PERSONALITY MODULE |
|  | CHK'D. | DATE | BOARD LOCATION: | SHEET | OF 19                          |
| SLOS: (BOWEN) PRSNGBP.DRW 111-MAR-81 18:36 NEXT HIGHER ASSEMBLY: RAB0-AA |        |      |                 |       | SIZE CODE<br>D CS              |
| FIRST USED ON OPTION/MODEL:  |        |      |                 |       | NUMBER<br>5414923-0-08         |
| REV. B   |        |      |                 |       | REV. B                         |



| FRAME TYPE                | FRAME CODE<br>(HEX)H | OP CODE<br>(HEX) |
|---------------------------|----------------------|------------------|
| START                     | 71                   | 1                |
| CONTINUE                  | 08                   | 2                |
| END                       | 02                   | 3                |
| S.T. & READ               | 17                   | C                |
| S.T. & WRITE              | A5                   | D                |
| S.T. & FORMAT ON INDEX    | 28                   | E                |
| FORMAT ON SECTOR OR INDEX | 4D                   | F                |
| ECHO                      | E8                   | 9                |
| SELECT GROUP              | 0E                   | 0                |

■ LSB IS READ FIRST

NOTE: XE111 IS ACTUALLY A 16 PIN DIP SOCKET.

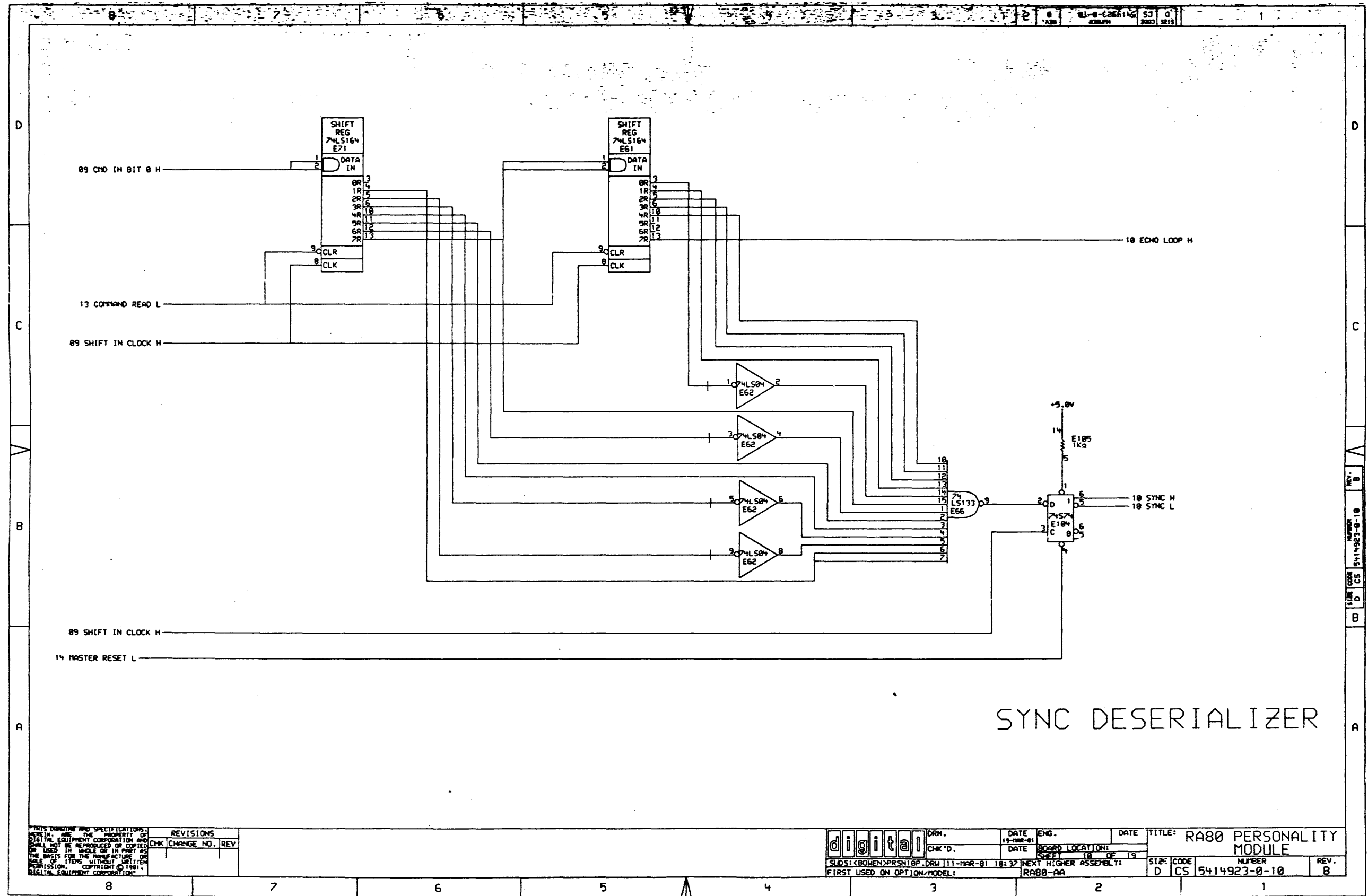
NOTE: XE131 IS ACTUALLY A 16 PIN DIP SOCKET.

COMMAND DESERIALIZER

THIS DRAWING AND SPECIFICATIONS ARE THE PROPERTY OF DIGITAL EQUIPMENT CORPORATION AND SHALL NOT BE REPRODUCED OR COPIED OR USED IN WHOLE OR IN PART AS THE BASIS FOR THE MANUFACTURE OR SALE OF ITEMS WITHOUT WRITTEN PERMISSION. COPYRIGHT © 1981, DIGITAL EQUIPMENT CORPORATION.

| REVISIONS |            |      |
|-----------|------------|------|
| CHK       | CHANGE NO. | REV. |
|           |            |      |

|  |        |      |                       |               |                                |
|--|--------|------|-----------------------|---------------|--------------------------------|
| digital                                  | DRN.   | DATE | ENG.                  | DATE          | TITLE: RAB0 PERSONALITY MODULE |
|  | CHK'D. | DATE | BOARD LOCATION:       | SHEET 9 OF 19 |                                |
| SUDS: <BOWEN> PRS@SP.DRW 11-MAR-81 18:36 |        |      | NEXT HIGHER ASSEMBLY: |               | SIZE CODE NUMBER REV.          |
| FIRST USED ON OPTION/MODEL:              |        |      | RAB0-AA               |               | D CS 5414923-0-09 B            |



SYNC DESERIALIZER

THIS DRAWING AND SPECIFICATIONS ARE THE PROPERTY OF DIGITAL EQUIPMENT CORPORATION AND SHALL NOT BE REPRODUCED OR COPIED OR USED IN WHOLE OR IN PART OR THE BASIS FOR THE MANUFACTURE OR SALE OF ITEMS WITHOUT WRITTEN PERMISSION. COPYRIGHT © 1981, DIGITAL EQUIPMENT CORPORATION.

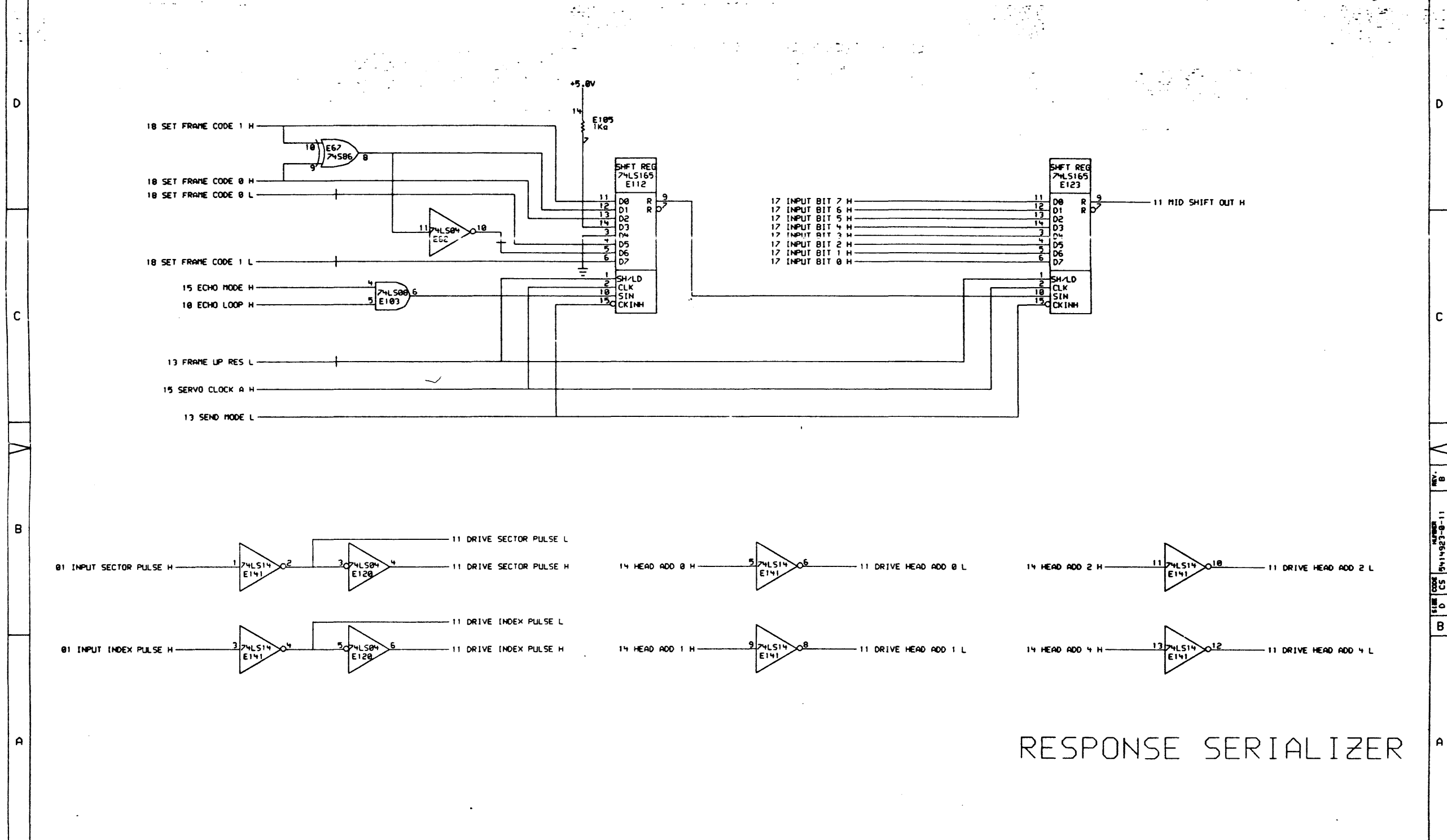
| REVISIONS |                |
|-----------|----------------|
| CHK       | CHANGE NO. REV |
|           |                |

|   |        |                               |                 |                |                                |
|---|--------|-------------------------------|-----------------|----------------|--------------------------------|
| digital                                   | DRN.   | DATE                          | ENG.            | DATE           | TITLE: R480 PERSONALITY MODULE |
|   | CHK'D. | DATE                          | BOARD LOCATION: | SHEET 18 OF 19 |                                |
| SLD5: (BQWEN) PRSNT0P.DRW 11-MAR-81 18:32 |        | NEXT HIGHER ASSEMBLY: R480-AA |                 | STP: CODE      | NUMBER                         |
| FIRST USED ON OPTION/MODEL:               |        |                               |                 | D CS           | 5414923-0-10                   |
|   |        |                               |                 | REV.           | B                              |

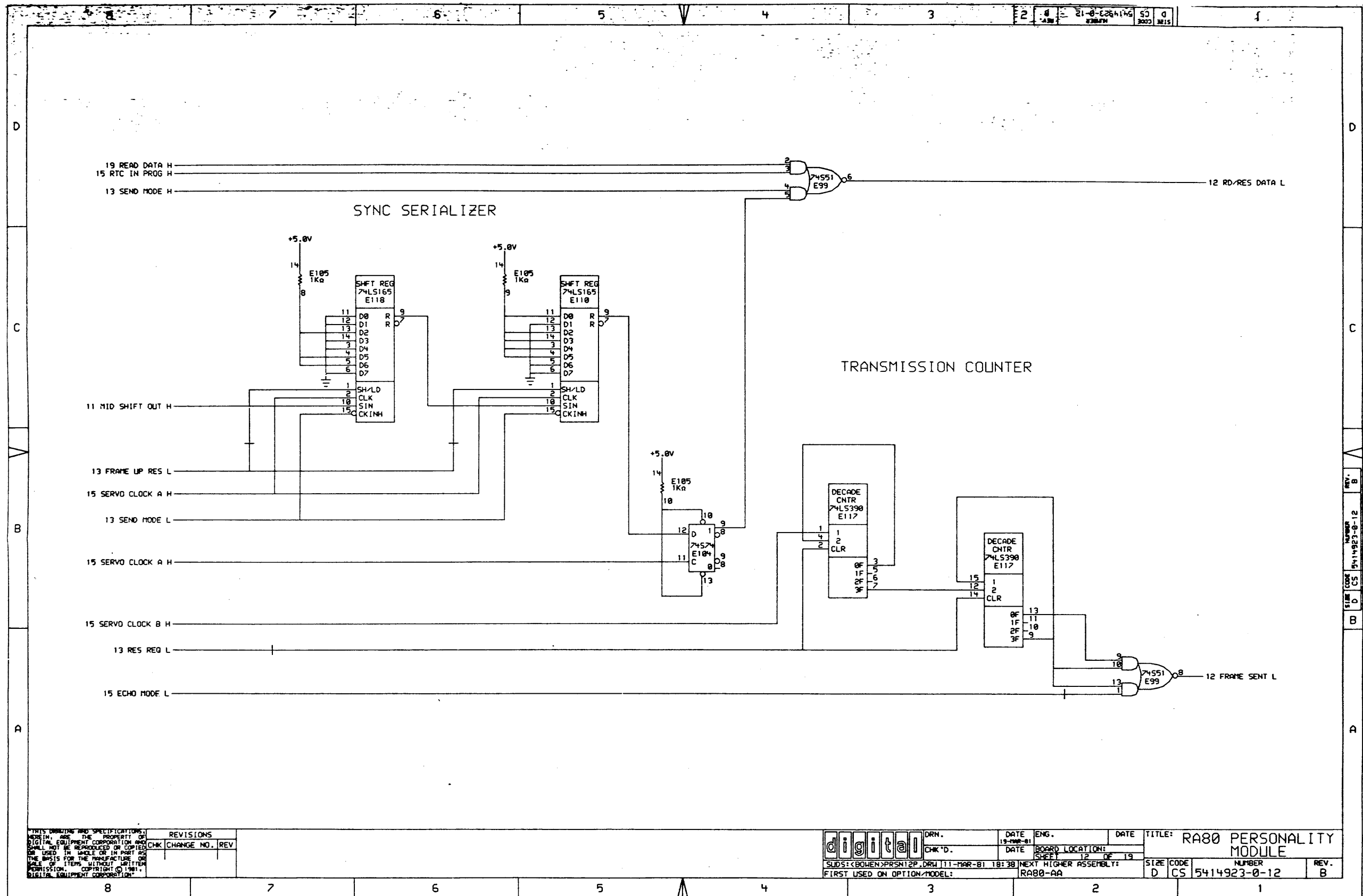
D  
C  
B  
A

D  
C  
B  
A

REV. B  
NUMBER 5414923-0-10  
SHEET D CS



RESPONSE SERIALIZER



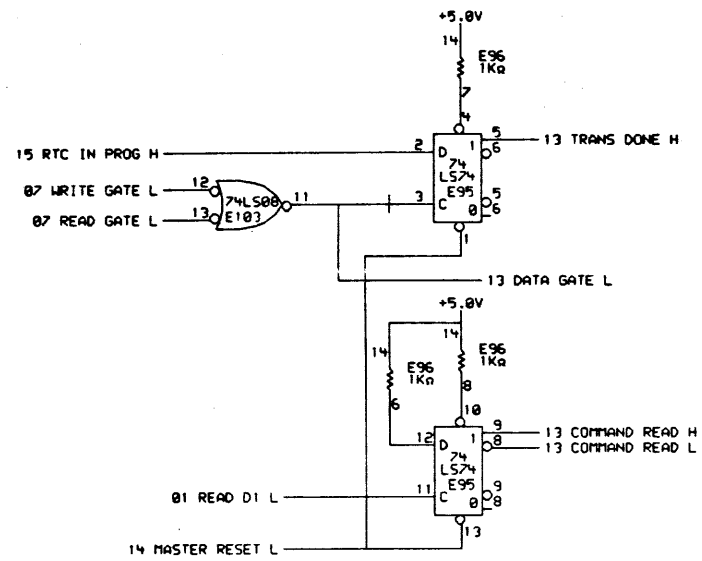
THIS DRAWING AND SPECIFICATIONS ARE THE PROPERTY OF DIGITAL EQUIPMENT CORPORATION AND SHALL NOT BE REPRODUCED OR COPIED IN ANY MANNER OR USED IN WHOLE OR IN PART AS THE BASIS FOR THE MANUFACTURE OR SALE OF ITEMS WITHOUT WRITTEN PERMISSION. COPYRIGHT © 1981 DIGITAL EQUIPMENT CORPORATION.

| REVISIONS |            |     |
|-----------|------------|-----|
| CHK       | CHANGE NO. | REV |
|           |            |     |

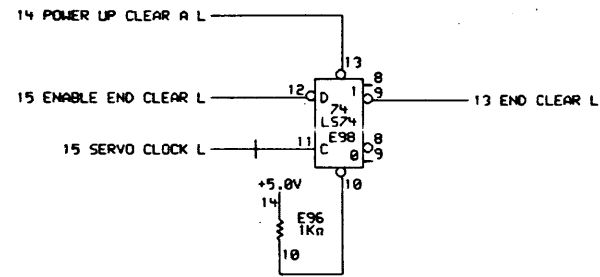
|                                     |        |      |                 |                |                                |
|-------------------------------------|--------|------|-----------------|----------------|--------------------------------|
| digital                             | DRN.   | DATE | ENG.            | DATE           | TITLE: RAB0 PERSONALITY MODULE |
|                                     | CHK'D. | DATE | BOARD LOCATION: | SHEET 12 OF 19 |                                |
| FIRST USED ON OPTION/MODEL: RAB0-AA |        |      |                 |                | SIZE CODE: D CS                |
| NEXT HIGHER ASSEMBLY: RAB0-AA       |        |      |                 |                | NUMBER: 5414923-0-12           |
|                                     |        |      |                 |                | REV. B                         |

REV. B  
NUMBER 5414923-0-12  
CS  
D

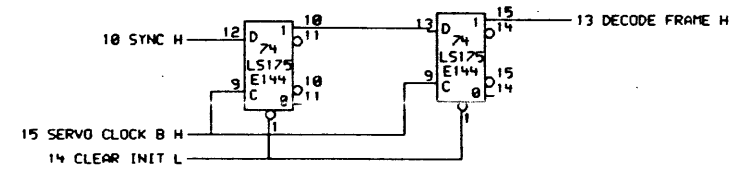
OPERATION COMPLETE



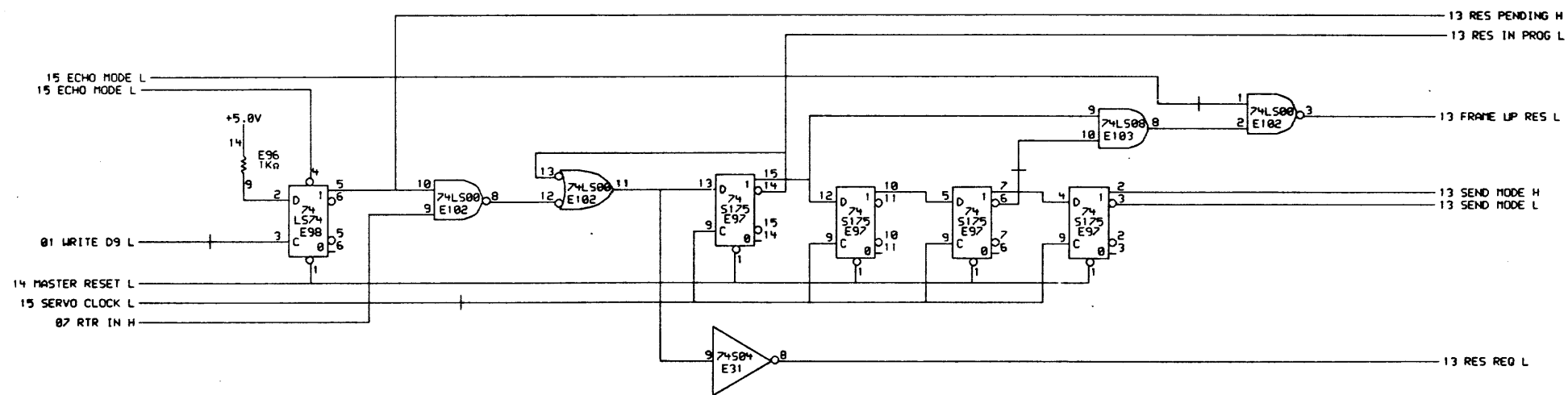
TERMINATE OPERATION



COMMAND RECEPTION SEQUENCER



RESPONSE TRANSMISSION SEQUENCER



THIS DRAWING AND SPECIFICATIONS ARE THE PROPERTY OF DIGITAL EQUIPMENT CORPORATION AND SHALL NOT BE REPRODUCED OR COPIED OR USED IN WHOLE OR IN PART AS THE BASIS FOR THE MANUFACTURE OR SALE OF ITEMS WITHOUT WRITTEN PERMISSION. COPYRIGHT © 1981 DIGITAL EQUIPMENT CORPORATION

| REVISIONS |            |     |
|-----------|------------|-----|
| CHK       | CHANGE NO. | REV |
|           |            |     |

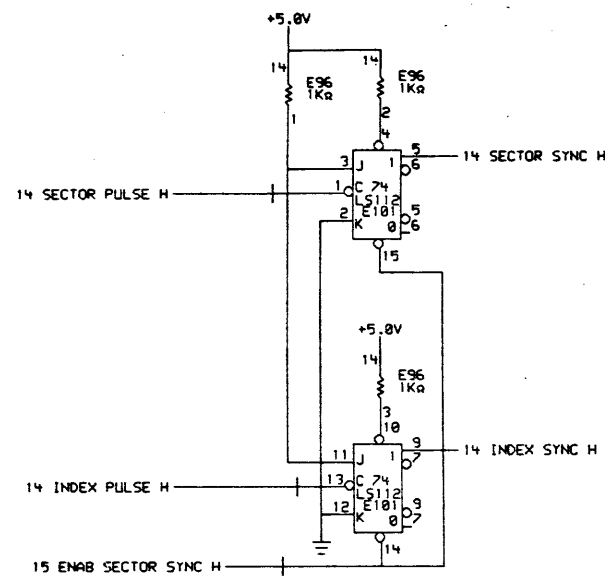
**digital** ORN.  
 CHK'D. DATE 19-MAR-81  
 SLDS: <BOWEN>PRSN13P.DRW 11-MAR-81 18:39 NEXT HIGHER ASSEMBLY: RAB0-AA  
 FIRST USED ON OPTION/MODEL:

DATE 19-MAR-81  
 BOARD LOCATION: SHEET 13 OF 19  
 SIZE CODE D CS

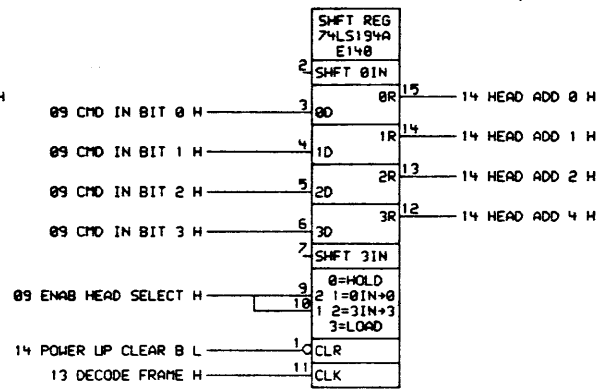
TITLE: RAB0 PERSONALITY MODULE  
 NUMBER 5414923-0-13  
 REV. B

REV. B  
 NUMBER 5414923-0-13  
 SIZE CODE D CS

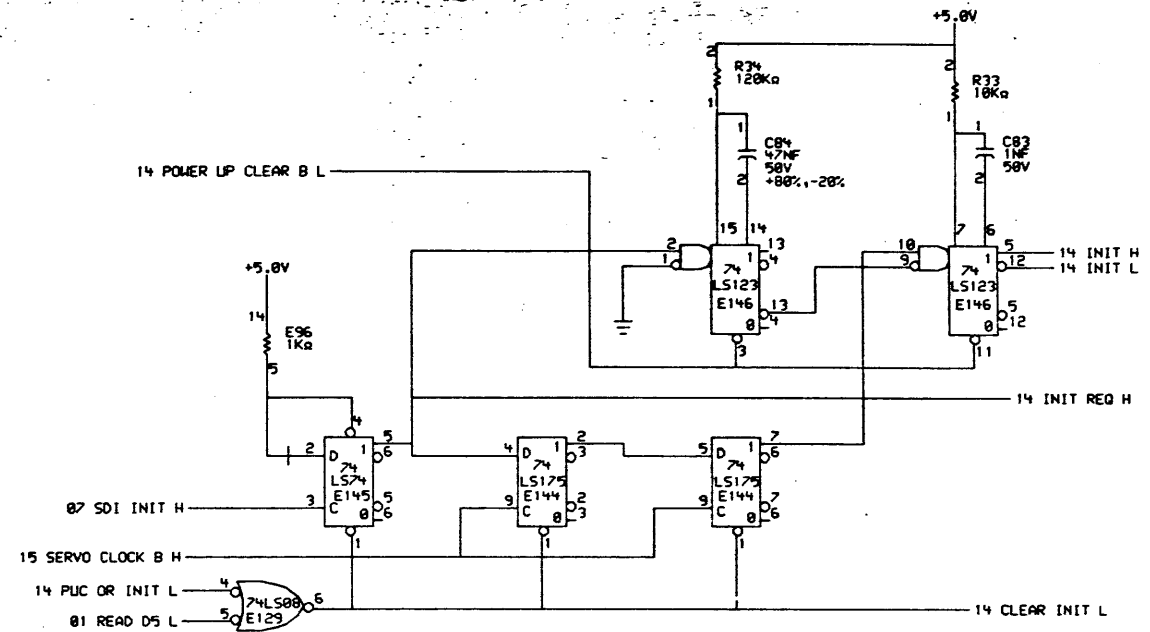
READ/WRITE TIME



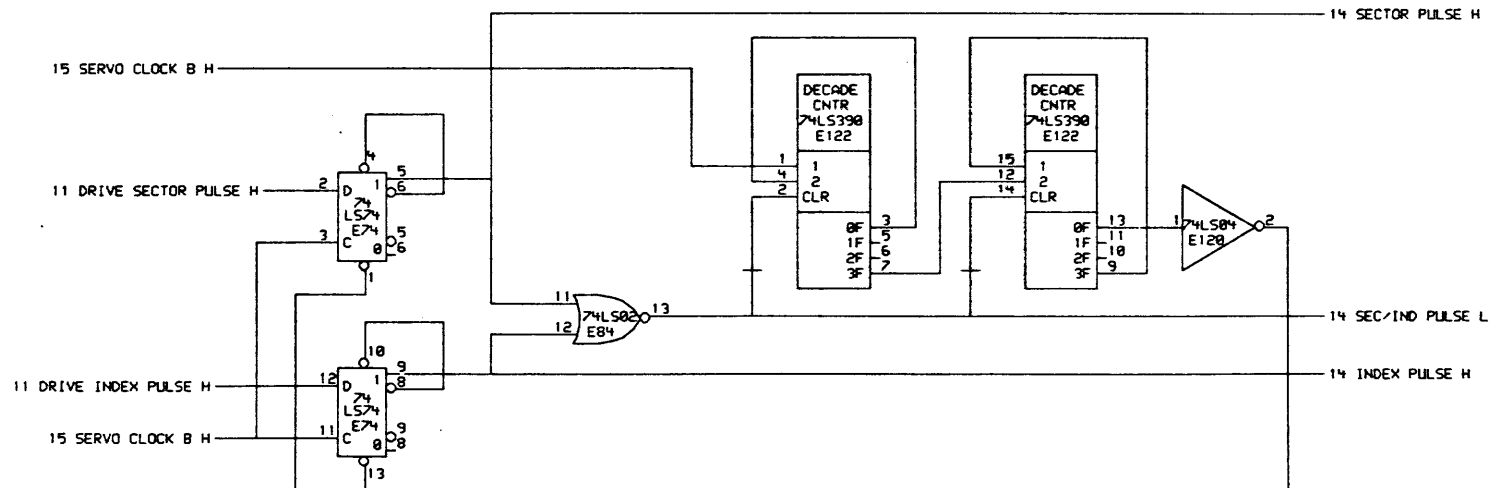
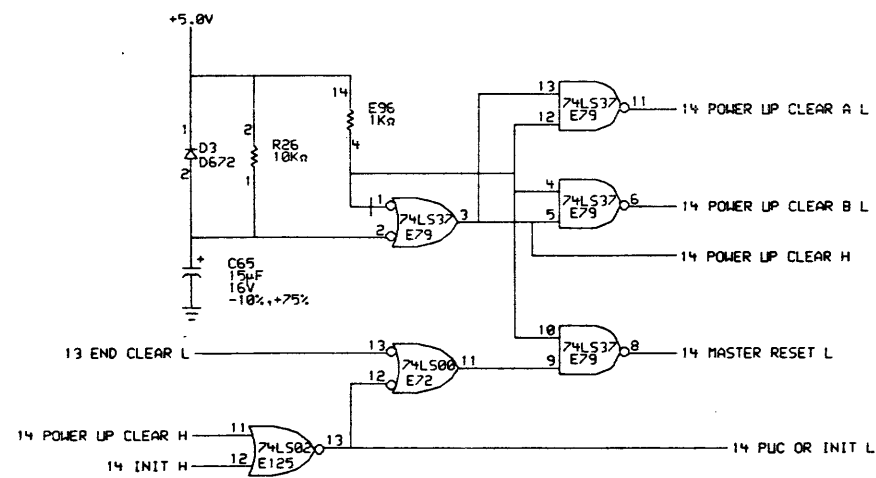
HEAD SELECT LATCH



HARD INIT DELAY



POWER UP CLEAR



THIS DRAWING AND SPECIFICATIONS ARE THE PROPERTY OF DIGITAL EQUIPMENT CORPORATION AND SHALL NOT BE REPRODUCED OR COPIED OR USED IN WHOLE OR IN PART AS THE BASIS FOR THE MANUFACTURE OR SALE OF ITEMS WITHOUT WRITTEN PERMISSION. COPYRIGHT © 1981 DIGITAL EQUIPMENT CORPORATION.

| REVISIONS | CHK | CHANGE NO. | REV |
|-----------|-----|------------|-----|
|           |     |            |     |

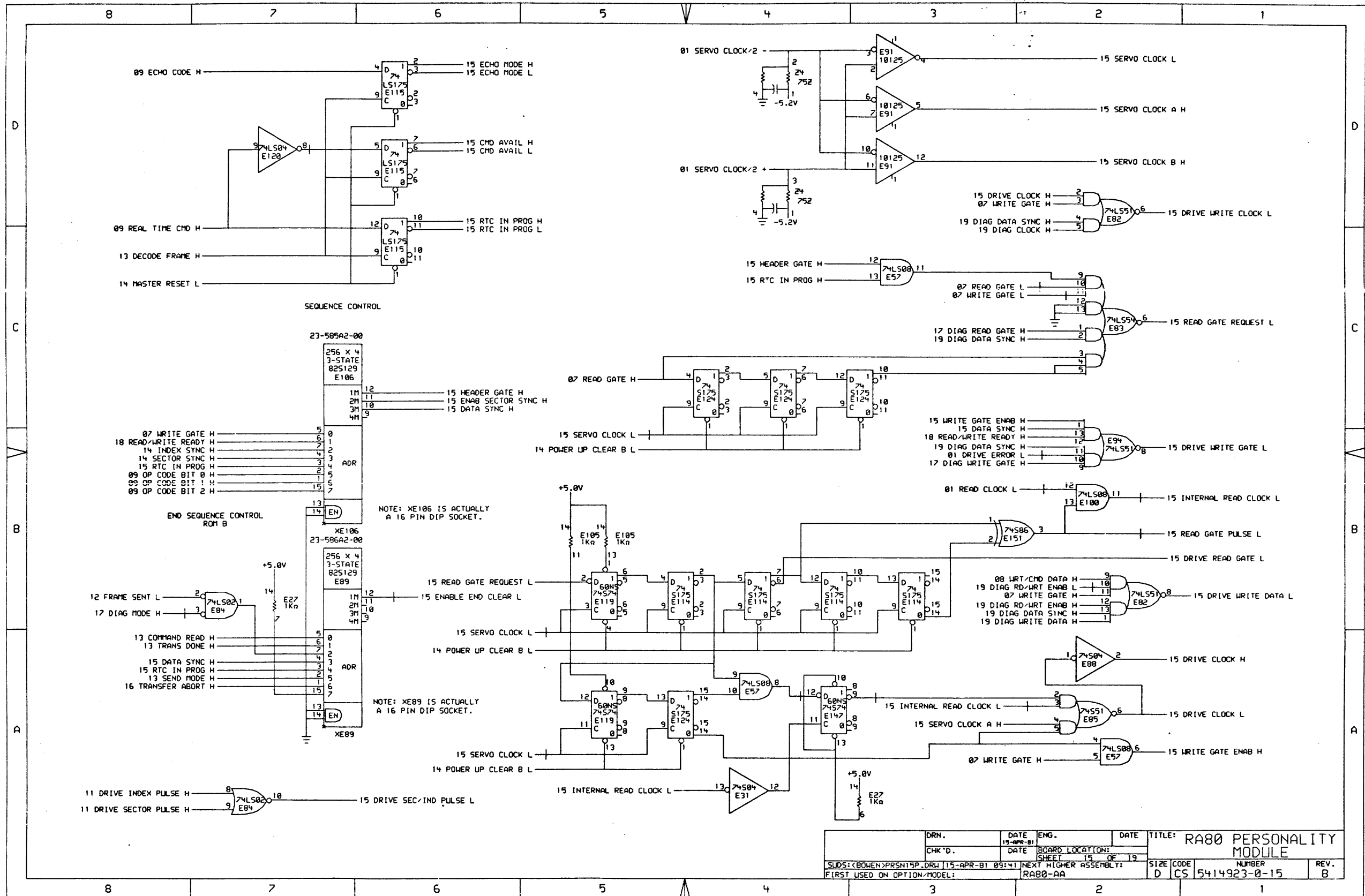
digital

DRW. DATE 19-MAR-81  
CHK'D. DATE 19-MAR-81  
DATE BOARD LOCATION: SHEET 14 OF 19

TITLE: RAB0 PERSONALITY MODULE

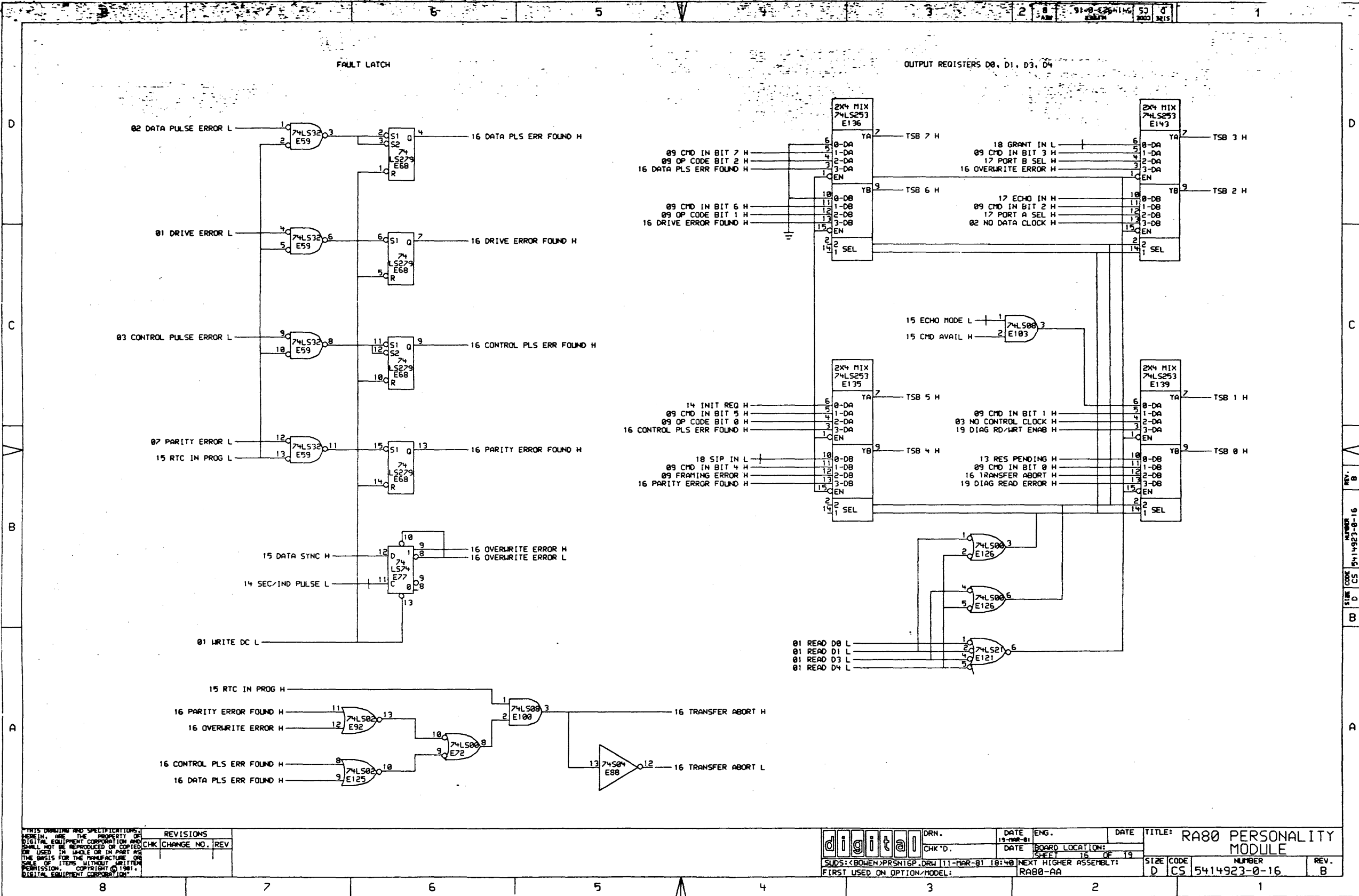
SLDS: <BOWEN> PRSN14P.DRW 11-MAR-81 18:39  
FIRST USED ON OPTION/MODEL: RAB0-AA

SIZE CODE D CS  
NUMBER 5414923-0-14  
REV. B



|                             |                 |                       |                |                         |
|-----------------------------|-----------------|-----------------------|----------------|-------------------------|
| DRN.                        | DATE            | ENG.                  | DATE           | TITLE:                  |
| CHK'D.                      | 15-APR-81       | BOARD LOCATION:       | SHEET 15 OF 19 | RAB0 PERSONALITY MODULE |
| SUITS: (BOWEN) PRSN15P.DRW  | 15-APR-81 09:41 | NEXT HIGHER ASSEMBLY: | SIZE CODE      | NUMBER                  |
| FIRST USED ON OPTION MODEL: | RAB0-AA         |                       | D CS           | 5414923-0-15            |
|                             |                 |                       |                | REV. B                  |



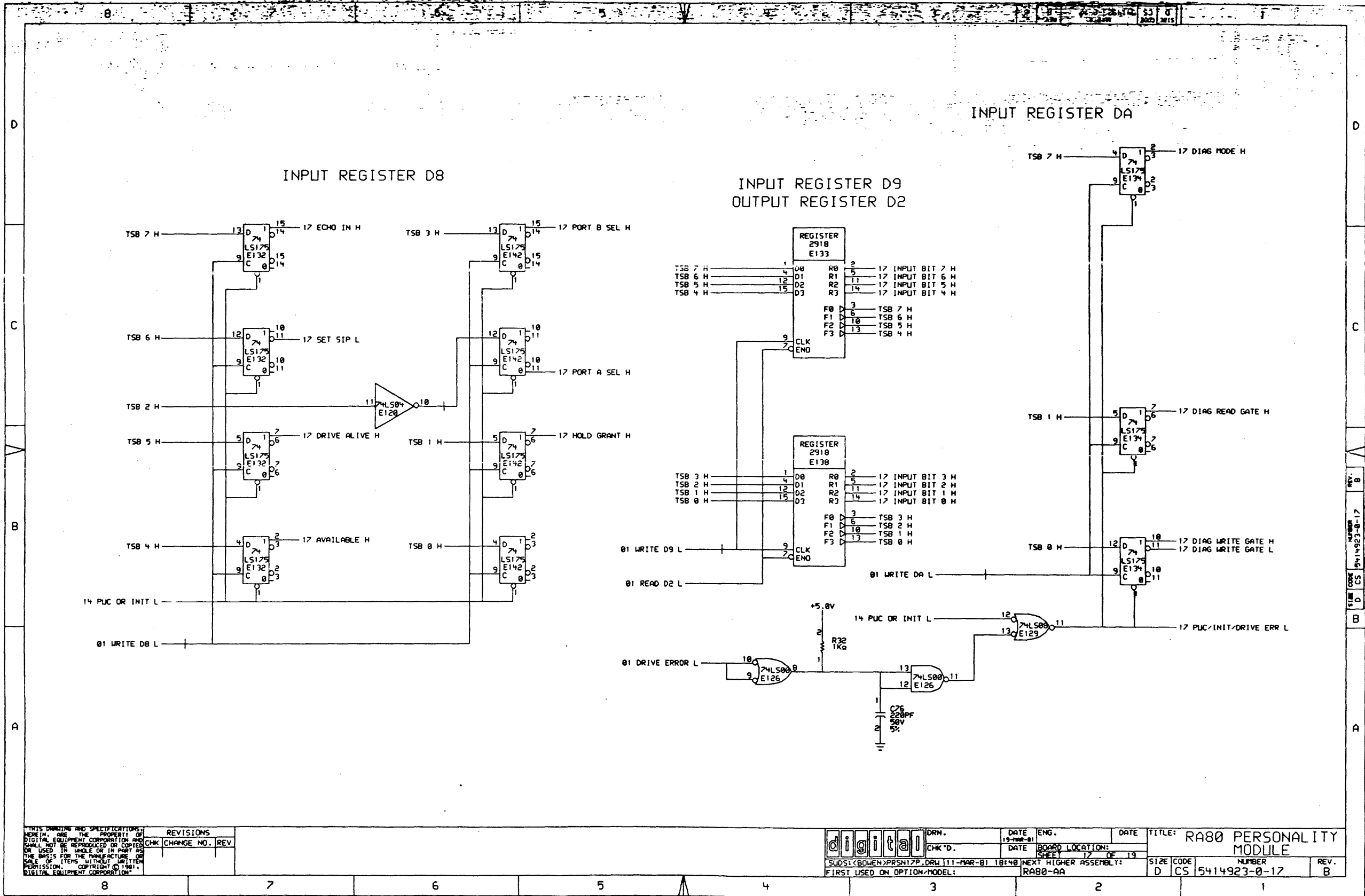


THIS DRAWING AND SPECIFICATIONS ARE THE PROPERTY OF DIGITAL EQUIPMENT CORPORATION AND SHALL NOT BE REPRODUCED OR COPIED OR USED IN WHOLE OR IN PART AS THE BASIS FOR THE MANUFACTURE OR SALE OF ITEMS WITHOUT WRITTEN PERMISSION. COPYRIGHT © 1981, DIGITAL EQUIPMENT CORPORATION.

| REV. | CHG. | CHANGE NO. | REV. |
|------|------|------------|------|
|      |      |            |      |

|   |        |                               |                 |                |                                |
|---|--------|-------------------------------|-----------------|----------------|--------------------------------|
| digital                                   | DRN.   | DATE                          | ENG.            | DATE           | TITLE: RAB0 PERSONALITY MODULE |
|   | CHK'D. | DATE                          | BOARD LOCATION: | SHEET 15 OF 19 | SIZE CODE NUMBER REV.          |
| SLOS1: BOWEN/PRSNT16P.DRW 11-MAR-81 18:40 |        | NEXT HIGHER ASSEMBLY: RAB0-AA |                 | D              | CS 5414923-0-16 B              |
| FIRST USED ON OPTION/MODEL:               |        |                               |                 |                |                                |

8 7 6 5 4 3 2 1

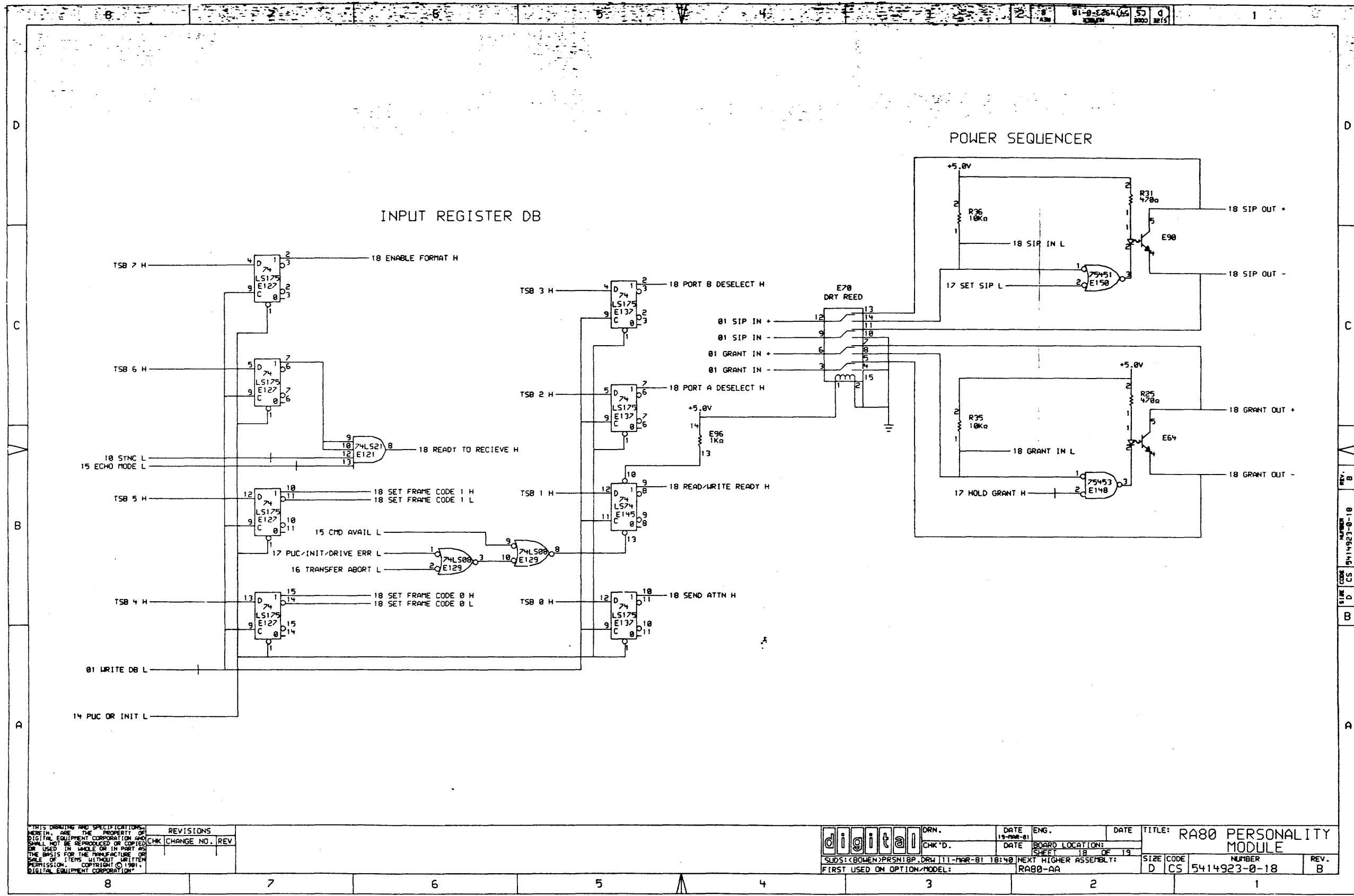


THIS DRAWING AND SPECIFICATIONS ARE THE PROPERTY OF DIGITAL EQUIPMENT CORPORATION AND SHALL NOT BE REPRODUCED OR COPIED OR USED IN WHOLE OR IN PART AS THE BASIS FOR THE MANUFACTURE OR SALE OF ITEMS WITHOUT WRITTEN PERMISSION. COPYRIGHT © 1981 DIGITAL EQUIPMENT CORPORATION

| REVISIONS |            |     |
|-----------|------------|-----|
| CHK       | CHANGE NO. | REV |
|           |            |     |

|   |   |   |   |   |   |   |   |
|---|---|---|---|---|---|---|---|
| 8 | 7 | 6 | 5 | 4 | 3 | 2 | 1 |
|---|---|---|---|---|---|---|---|

|   |        |      |                 |                |                               |
|---|--------|------|-----------------|----------------|-------------------------------|
| digital   | DRW.   | DATE | ENG.            | DATE           | TITLE: R80 PERSONALITY MODULE |
|   | CHK'D. | DATE | BOARD LOCATION: | SHEET 17 OF 19 | NUMBER                        |
| SUDSI: (BOWEN) PRSN17P.DRW 111-MAR-81 18140 NEXT HIGHER ASSEMBLY: RAB0-AA |        |      |                 |                | SIZE CODE D CS                |
| FIRST USED ON OPTION/MODEL:   |        |      |                 |                | NUMBER 5414923-0-17           |
|   |        |      |                 |                | REV. B                        |

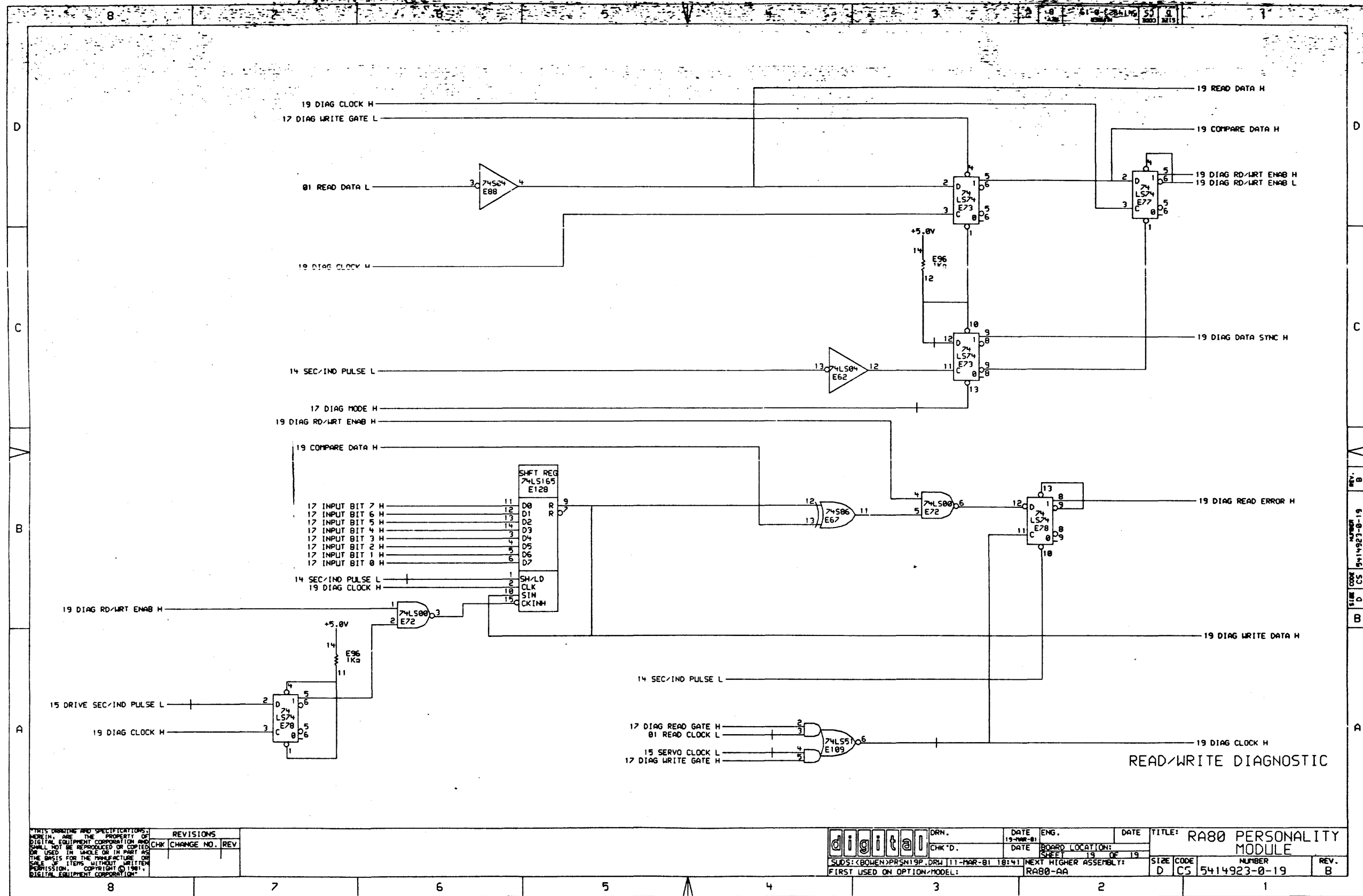


THIS DRAWING AND SPECIFICATIONS ARE THE PROPERTY OF DIGITAL EQUIPMENT CORPORATION AND SHALL NOT BE REPRODUCED OR COPIED OR USED IN WHOLE OR IN PART AS THE BASIS FOR THE MANUFACTURE OR SALE OF ITEMS WITHOUT WRITTEN PERMISSION. COPYRIGHT © 1981, DIGITAL EQUIPMENT CORPORATION.

| REVISIONS |                |
|-----------|----------------|
| CHK       | CHANGE NO. REV |
|           |                |

|   |        |                               |                 |                |                                |
|---|--------|-------------------------------|-----------------|----------------|--------------------------------|
| digital                                 | DRN.   | DATE                          | ENG.            | DATE           | TITLE: RAB0 PERSONALITY MODULE |
|   | CHK'D. | DATE                          | BOARD LOCATION: | SHEET 1A OF 19 |                                |
| SLDS1(BOWEN)PRSN18P.DRW 11-MAR-81 18:40 |        | NEXT HIGHER ASSEMBLY: RAB0-AA |                 | SIZE CODE      | NUMBER                         |
| FIRST USED ON OPTION/MODEL:             |        |                               |                 | D CS           | 5414923-0-18                   |
|   |        |                               |                 |                | REV. B                         |

REV. B  
 CS 5414923-0-18  
 D CS 5414923-0-18  
 B



READ/WRITE DIAGNOSTIC

THIS DRAWING AND SPECIFICATIONS ARE THE PROPERTY OF DIGITAL EQUIPMENT CORPORATION AND SHALL NOT BE REPRODUCED OR COPIED OR USED IN WHOLE OR IN PART AS THE BASIS FOR THE MANUFACTURE OR SALE OF ITEMS WITHOUT WRITTEN PERMISSION. COPYRIGHT © 1981 DIGITAL EQUIPMENT CORPORATION.

| REVISIONS |            |     |
|-----------|------------|-----|
| CHK       | CHANGE NO. | REV |
|           |            |     |

|   |   |   |   |   |   |   |   |
|---|---|---|---|---|---|---|---|
| 8 | 7 | 6 | 5 | 4 | 3 | 2 | 1 |
|---|---|---|---|---|---|---|---|

|   |        |      |                 |                |                                |
|---|--------|------|-----------------|----------------|--------------------------------|
| digital   | DRN.   | DATE | ENG.            | DATE           | TITLE: RAB0 PERSONALITY MODULE |
|   | CHK'D. | DATE | BOARD LOCATION: | SHEET 19 OF 19 |                                |
| SUDS: (BOWEN) PRSN19P.DRW (11-MAR-81 18:41) NEXT HIGHER ASSEMBLY: RAB0-AA |        |      |                 | SIZE CODE      | NUMBER                         |
| FIRST USED ON OPTION/MODEL:   |        |      |                 | D C5           | 5414923-0-19                   |
|   |        |      |                 |                | REV. B                         |