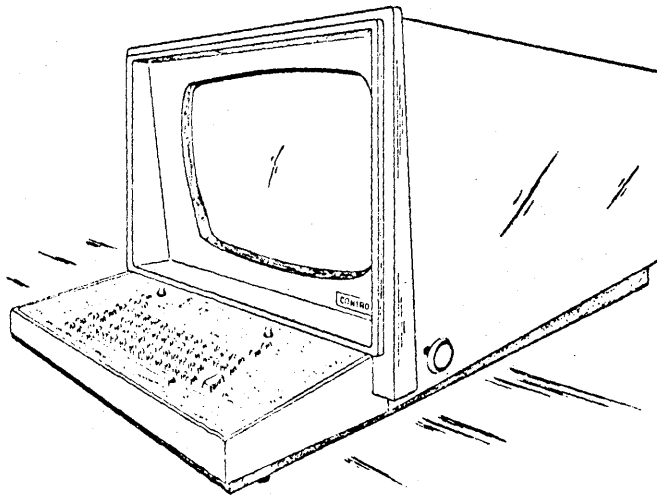


CONTROL DATA[®]

**CC505-A, B
DISPLAY STATION**



CONTROL DATA
CORPORATION

PARTS DATA BOOK

CHANGE NUMBER 3

COMBINED CHANGE

INCLUDES AND OBSOLETES PREVIOUS CHANGES 1 and 2

TO

Publication CC505-A/B Display Station
Parts Data Book

Publication No. 82128800

Revision B-0-0

Reason for Change

This combined change is written to update and clarify parts data information. ECO's included are: 4699, 5051, 5120, 5177, and 5222. Also adds nylon plate nuts used for securing the monitor chassis to the display station housing.

Instructions

Replace pages now in your manual with like-numbered pages contained in this change package.

Make the following pen change on pages: A-9/10, A-13/14, A-17/18, and A-21 — add P/N 51003800 as an alternate part for DS1, Alarm, Audible.

NOTE

File this change notice adjacent to the Revision Record page in the manual.

Shelf Location 288

Date March 1972



Technical Publications Department
2401 North Fairview Avenue
St. Paul, Minnesota 55113



FOREWORD

The equipment configuration may include either of the two basic types of Display Stations. Each has a separate equipment identifier and part number. These two types and their differences are pointed out in the chart on page A-1.

Meanings of form columns in the provisioning parts list are as follows.

- (a) Item Number — lists each electrical part in numerical order.
- (b) Reference Designation — gives the associated designation for electrical parts located on a unit or subassembly.
- (c) Part Number — lists the CONTROL DATA number for each part. Use this number when ordering replacement parts.
- (d) Description — contains a brief description of each electrical part and gives important electrical details.
- (e) Quantity — gives the total quantity of each part per next higher order assembly.

Additional copies of this publication may be ordered from:

Control Data Corporation
Literature & Distribution Services
9300 Bloomington Freeway
Minneapolis, Minnesota 55431

CONTENTS AND ILLUSTRATIONS

<u>Part</u>	<u>Figure</u>	<u>Page</u>
A	—	DISPLAY STATION
	A-1	Display Station A-3
	A-2	Monitor 120 Volts-60 Hertz A-7
	A-3	Monitor 120 Volts-60 Hertz A-11
	A-4	Monitor 220 Volts-50 Hertz A-15
	A-5	Monitor 220 Volts-50 Hertz A-19
	A-6	Deflection A-22
	A-7	Low Voltage A-24
	A-8	Low Voltage (60 Hertz) A-26
	A-9	Low Voltage (50 Hertz) A-28
	A-10	High Voltage A-31
	A-11	High Voltage A-35
	A-12	Yoke A-38
	A-13	Keyboard Harness A-40
	A-14	Keyboard A-42
	A-15	Card 7BQD A-44
	A-16	Keybutton Set A-46
	A-17	Display Station Cable A-48

PART A

DISPLAY STATION

DISPLAY STATION

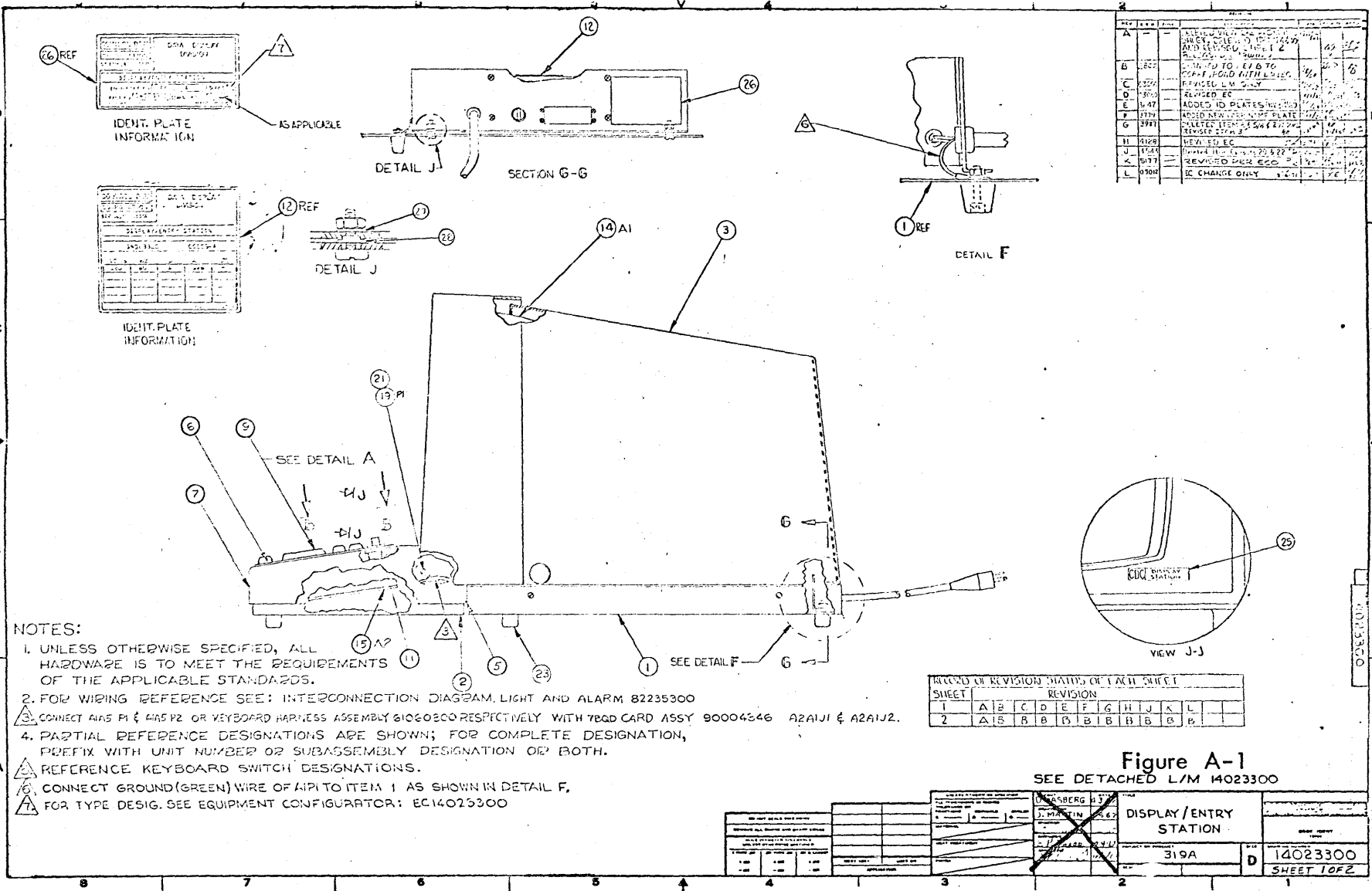
Two types of Display Stations are available with the Equipment Controller. The chart below lists part numbers and input power requirements.

EQUIPMENT TYPE IDENTIFIER	PART NUMBER	POWER	
		120V-60HZ	220V-50HZ
CC505-A	I4023300	●	
CC505-B	I4026500		●

82128800

B-0-3

A-3



REV	DATE	BY	CHKD	DESCRIPTION
A				ASSEMBLY DRAWING FOR THE DISPLAY/ENTRY STATION. PART NO. 82128800. REV. 1.
B	10/22/77			CHANGED TO E1 B TO PART NO. 82128800. REV. 2.
C	10/22/77			REVISED L/W ONLY.
D	10/22/77			REVISED EC.
E	10/22/77			ADDED ID PLATES IN DETAIL J.
F	10/22/77			ADDED REMOVAL AND PLATE IN DETAIL F.
G	10/22/77			ADDED IDENT. PLATE INFORMATION.
H	10/22/77			REVISED EC.
I	10/22/77			REVISED EC.
J	10/22/77			REVISED EC.
K	10/22/77			REVISED PER ECO.
L	10/22/77			EC CHANGE ONLY.

SHEET	REVISION											
	A	B	C	D	E	F	G	H	I	J	K	L
1												
2												

Figure A-1
SEE DETACHED L/M 14023300

- NOTES:
- UNLESS OTHERWISE SPECIFIED, ALL HARDWARE IS TO MEET THE REQUIREMENTS OF THE APPLICABLE STANDARDS.
 - FOR WIRING REFERENCE SEE: INTERCONNECTION DIAGRAM, LIGHT AND ALARM 82235300
 - CONNECT AIRS P1 & AIRS P2 OR KEYBOARD HARNESS ASSEMBLY 61020200 RESPECTIVELY WITH T80D CARD ASSY 90004246 A2A1J1 & A2A1J2.
 - PARTIAL REFERENCE DESIGNATIONS ARE SHOWN; FOR COMPLETE DESIGNATION, PREFIX WITH UNIT NUMBER OR SUBASSEMBLY DESIGNATION OR BOTH.
 - REFERENCE KEYBOARD SWITCH DESIGNATIONS.
 - CONNECT GROUND (GREEN) WIRE OF A1P1 TO ITEM 1 AS SHOWN IN DETAIL F.
 - FOR TYPE DESIG. SEE EQUIPMENT CONFIGURATOR; EC14025300

82128800		82128800		82128800		82128800		82128800		82128800		82128800		82128800	
82128800		82128800		82128800		82128800		82128800		82128800		82128800		82128800	
82128800		82128800		82128800		82128800		82128800		82128800		82128800		82128800	
82128800		82128800		82128800		82128800		82128800		82128800		82128800		82128800	
82128800		82128800		82128800		82128800		82128800		82128800		82128800		82128800	
82128800		82128800		82128800		82128800		82128800		82128800		82128800		82128800	
82128800		82128800		82128800		82128800		82128800		82128800		82128800		82128800	
82128800		82128800		82128800		82128800		82128800		82128800		82128800		82128800	
82128800		82128800		82128800		82128800		82128800		82128800		82128800		82128800	
82128800		82128800		82128800		82128800		82128800		82128800		82128800		82128800	
82128800		82128800		82128800		82128800		82128800		82128800		82128800		82128800	
82128800		82128800		82128800		82128800		82128800		82128800		82128800		82128800	
82128800		82128800		82128800		82128800		82128800		82128800		82128800		82128800	
82128800		82128800		82128800		82128800		82128800		82128800		82128800		82128800	
82128800		82128800		82128800		82128800		82128800		82128800		82128800		82128800	
82128800		82128800		82128800		82128800		82128800		82128800		82128800		82128800	
82128800		82128800		82128800		82128800		82128800		82128800		82128800		82128800	
82128800		82128800		82128800		82128800		82128800		82128800		82128800		82128800	
82128800		82128800		82128800		82128800		82128800		82128800		82128800		82128800	
82128800		82128800		82128800		82128800		82128800		82128800		82128800		82128800	
82128800		82128800		82128800		82128800		82128800		82128800		82128800		82128800	
82128800		82128800		82128800		82128800		82128800		82128800		82128800		82128800	
82128800		82128800		82128800		82128800		82128800		82128800		82128800		82128800	
82128800		82128800		82128800		82128800		82128800		82128800		82128800		82128800	
82128800		82128800		82128800		82128800		82128800		82128800		82128800		82128800	
82128800		82128800		82128800		82128800		82128800		82128800		82128800		82128800	
82128800		82128800		82128800		82128800		82128800		82128800		82128800		82128800	
82128800		82128800		82128800		82128800		82128800		82128800		82128800		82128800	
82128800		82128800		82128800		82128800		82128800		82128800		82128800		82128800	
82128800		82128800		82128800		82128800		82128800		82128800		82128800		82128800	
82128800		82128800		82128800		82128800		82128800		82128800		82128800		82128800	
82128800		82128800		82128800		82128800		82128800		82128800		82128800		82128800	
82128800		82128800		82128800		82128800		82128800		82128800		82128800		82128800	
82128800		82128800		82128800		82128800		82128800		82128800		82128800		82128800	
82128800		82128800		82128800		82128800		82128800		82128800		82128800		82128800	
82128800		82128800		82128800		82128800		82128800		82128800		82128800		82128800	
82128800		82128800		82128800		82128800		82128800		82128800		82128800		82128800	
82128800		82128800		82128800		82128800		82128800		82128800		82128800		82128800	
82128800		82128800		82128800		82128800		82128800		82128800		82128800		82128800	
82128800		82128800		82128800		82128800		82128800		82128800		82128800		82128800	
82128800		82128800		82128800		82128800		82128800		82128800		82128800		82128800	
82128800		82128800		82128800		82128800		82128800		82128800		82128800		82128800	
82128800		82128800		82128800		82128800		82128800		82128800		82128800		82128800	
82128800		82128800		82128800		82128800		82128800		82128800		82128800		82128800	
82128800		82128800		82128800		82128800		82128800		82128800		82128800		82128800	
82128800		82128800		82128800		82128800		82128800		82128800		82128800		82128800	
82128800		82128800		82128800		82128800		82128800		82128800		82128800		82128800	
82128800		82128800		82128800		82128800		82128800		82128800		82128800		82128800	
82128800		82128800		82128800		82128800		82128800		82128800		82128800		82128800	
82128800		82128800		82128800		82128800		82128800		82128800		82128800		82128800	
82128800		82128800		82128800		82128800		82128800		82128800		82128800		82128800	
82128800		82128800		82128800		82128800		82128800		82128800		82128800		82128800	
82128800		82128800		82128800		82128800		82128800		82128800		82128800		82128800	
82128800		82128800		82128800		82128800		82128800		82128800		82128800		82128800	
82128800		82128800		82128800		82128800		82128800		82128800		82128800		82128800	
82128800		82128800		82128800		82128800		82128800		82128800		82128800		82128800	
82128800		82128800		82128800		82128800		82128800		82128800		82128800		82128800	
82128800		82128800		82128800		82128800		82128800		82128800		82128800		82128800	
82128800		82128800		82128800		82128800		82128800		82128800		82128800		82128800	
82128800		82128800		82128800		82128800		82128800		82128800		82128800		82128800	
82128800		82128800		82128800		82128800		82128800		82128800		82128800		82128800	
82128800		82128800		82128800		82128800		82128800		82128800		82128800		82128800	
82128800		82128800		82128800		82128800		82128800		82128800		82128800		82128800	
82128800		82128800		82128800		82128800		82128800		82128800		82128800		82128800	
82128800		82128800		82128800		82128800		82128800		82128800		82128800		82128800	
82128800		82128800		82128800		82128800		82128800		82128800		82128800		82128800	
82128800		82128800		82128800		82128800		82128800		82128800		82128800		82128800	
82128800		82128800		82128800		82128800		82128800		82128800		82128800		82128800	
82128800		82128800		82128800		82128800		82128800		82128800		82128800		82128800	
82128800		82128800		82128800		82128800		82128800		82128800		82128800		82128800	
82128800		82128800		82128800		82128800		82128800		82128800		82128800		82128800	
82128800		82128800		82128800		82128800		82128800		82128800		82128800		82128800	
82128800		82128800		82128800		82128800		82128800		82128800		82128800		82128800	
82128800		82128800		82128800		82128800		82128800		82128800		82128800		82128800	
82128800		82128800													

82128800

ITEM NO.	REF DES	PART NUMBER	DESCRIPTION	QTY	ITEM NO.	REF DES	PART NUMBER	DESCRIPTION	QTY	
16	DS1/S	51618200	LIGHT,IND; 28V Lamp, white lens	1				* DISPLAY STATION 14026500, 220 VOLTS-50 HERTZ.		
18	DS2	51618102	LAMP,INCANDESCENT; 28V .04A red	1						
20	J1	51537200	CONN,RECP,ELEC; 6 soc contacts	1						
19	P1	51537100	CONN,PLUG,ELEC; 6 pin contacts	1						
17	S2	51618300	SWITCH,PUSH; RKR spdt 125 250vac	1						
24		51571900	Nut,Self Locking, Plate, Nylon, 5/16 OD.	4						
27		09027803	Washer, Non Metallic #8							
28		51568606	Washer, Shoulder #8							

14023300/L

* DISPLAY STATION 120 VOLTS-60 HERTZ

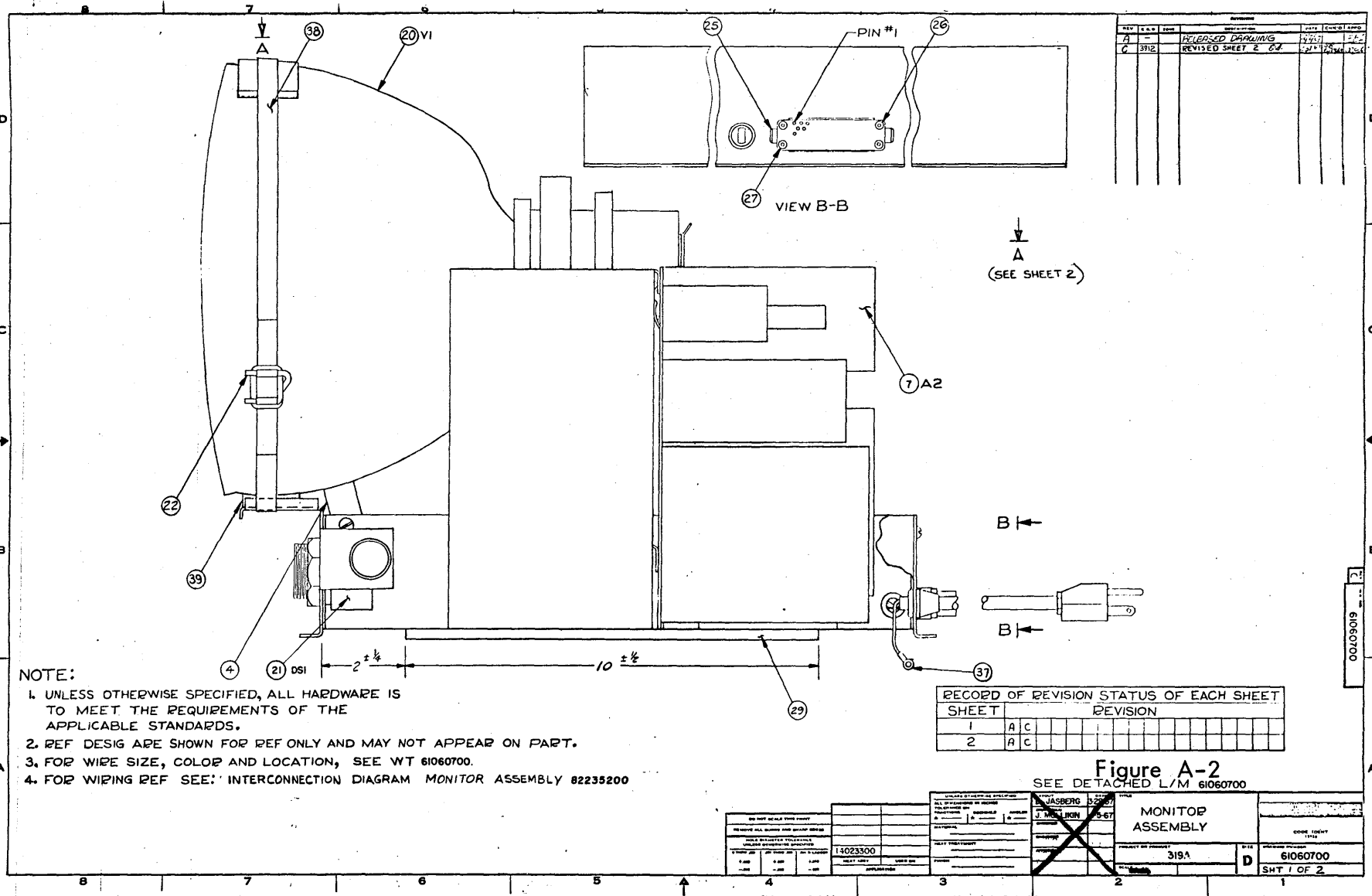
B-0-3

A-5/6



82128800

A-7



REV	DATE	DESCRIPTION	BY	CHKD
A		RELEASED DRAWING		
C	3/12	REVISED SHEET 2 OF 2		

NOTE:

1. UNLESS OTHERWISE SPECIFIED, ALL HARDWARE IS TO MEET THE REQUIREMENTS OF THE APPLICABLE STANDARDS.
2. REF DESIG ARE SHOWN FOR REF ONLY AND MAY NOT APPEAR ON PART.
3. FOR WIRE SIZE, COLOR AND LOCATION, SEE WT 61060700.
4. FOR WIRING REF SEE: INTERCONNECTION DIAGRAM MONITOR ASSEMBLY 82235200

RECORD OF REVISION STATUS OF EACH SHEET	
SHEET	REVISION
1	A C
2	A C

Figure A-2
SEE DETACHED L/M 61060700

DO NOT SCALE THIS PRINT REWORK ALL DIMS AND SHARP EDGES HOLD TOLERANCES UNLESS OTHERWISE SPECIFIED DIMENSIONS ARE IN INCHES UNLESS OTHERWISE SPECIFIED		14023300 1.000 ±.005 .500 ±.002 .125 ±.001	ALL DIMENSIONS ARE UNLESS OTHERWISE SPECIFIED ALL DIMENSIONS ARE IN INCHES DECIMALS: A = .001, B = .005, C = .010, D = .015, E = .020, F = .030, G = .040, H = .050, J = .060, K = .070, L = .080, M = .090, N = .100, O = .125, P = .150, Q = .175, R = .200, S = .250, T = .300, U = .375, V = .450, W = .500, X = .625, Y = .750, Z = .875, AA = 1.000, AB = 1.250, AC = 1.500, AD = 1.750, AE = 2.000, AF = 2.500, AG = 3.000, AH = 3.500, AI = 4.000, AJ = 4.500, AK = 5.000, AL = 5.500, AM = 6.000, AN = 6.500, AO = 7.000, AP = 7.500, AQ = 8.000, AR = 8.500, AS = 9.000, AT = 9.500, AU = 10.000	JASBERG J. M. LINKIN 1967	MONITOR ASSEMBLY 319A 61060700 SHT 1 OF 2
---	--	---	--	---------------------------------	--

61060700

A-8

82128800

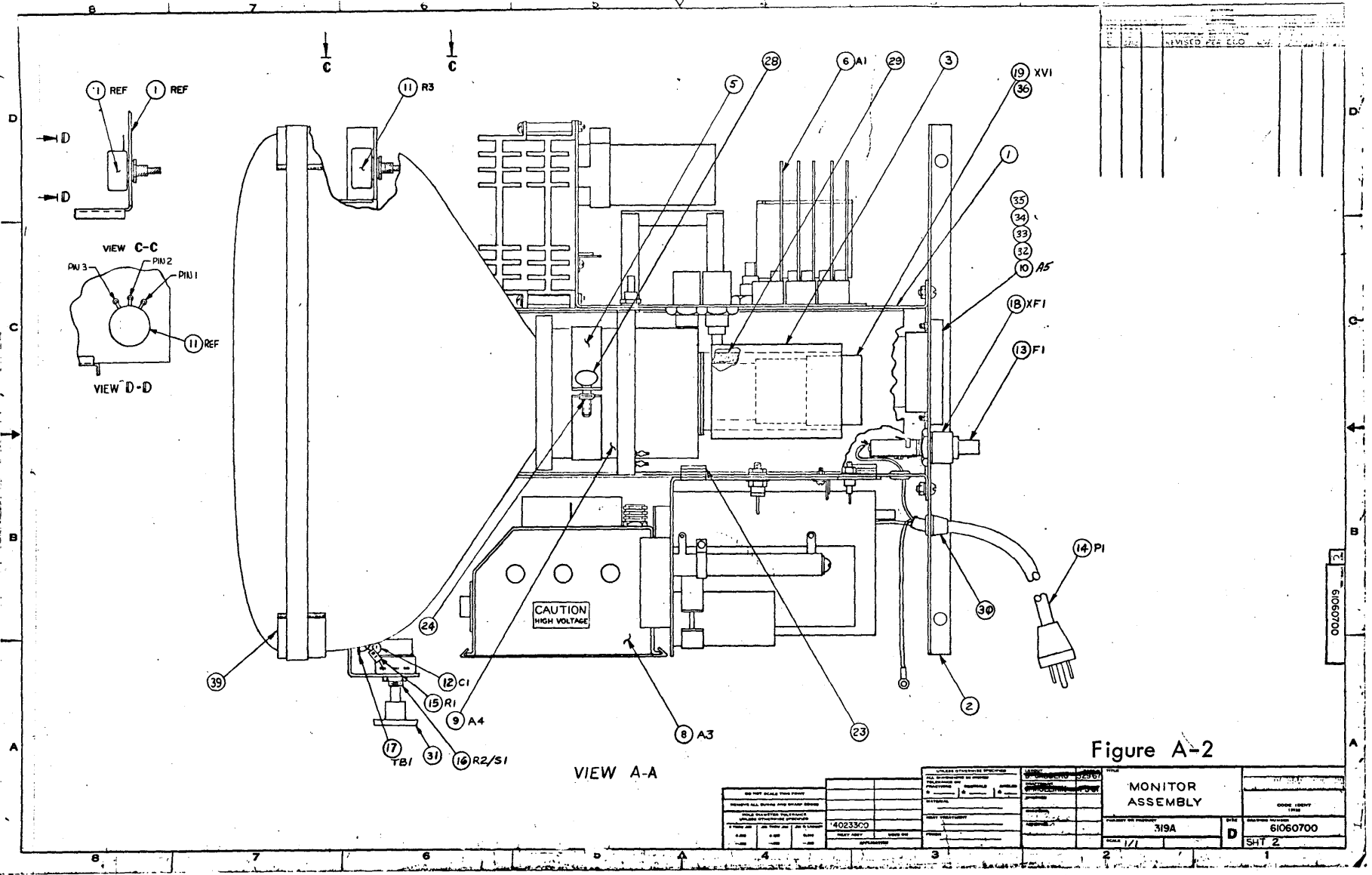


Figure A-2

DO NOT SCALE THIS PRINT REPRODUCE ALL DIMENSIONS AND WEIGHTS UNLESS OTHERWISE SPECIFIED		UNLESS OTHERWISE SPECIFIED DIMENSIONS ARE IN INCHES DECIMALS ARE TO 0.001 FRACTIONS ARE TO 1/32		TITLE MONITOR ASSEMBLY		CODE LIBRARY 61060700	
14023300		PART NUMBER		319A		SHT 2	
SCALE 1/1		DATE		DRAWN BY		CHECKED BY	

00050101 2

82128800

ITEM NO.	REF DES	PART NUMBER	DESCRIPTION	QTY	ITEM NO.	REF DES	PART NUMBER	DESCRIPTION	QTY
12	CI	51001131	CAP.,FXD,CERAMIC; .1 uf 500vdcw	1					
21	DSI	51594000	ALARM,AUD.SIGNAL; 2.8 kc 6-28V pul	1					
13	FI	51001832	FUSE,CTG; 2.00A @ 125V, 3AG SB	1					
14	PI	51003307	CABLE,PWR,ELEC; 3-#18 ga, type SVT	1					
15	RI	51000718	RESISTOR,FIXED,COMP; 100K 5% 1/2W	1					
16	R2/SI	71108200	POTENTIOMETER; Modified	1					
11	R3	51642300	RESISTOR,VAR; Lin WW 20K 5W	1					
17	TBI	51006037	TERM.BOARD; 1 dbl solder lug T-type	1					
20	VI	51548904	ELEC.TUBE; CRT 14",P4, 11 ft. L.	1					
18	XFI	51002783	FUSEHOLDER;Ne ind clr lens 90-250V	1					
19	XVI	51001796	SOC.ELECTRON TUBE; Duodecal 12 pin	1					
									61060700/C
									MONITOR, 120 VOLTS-60 HERTZ AI

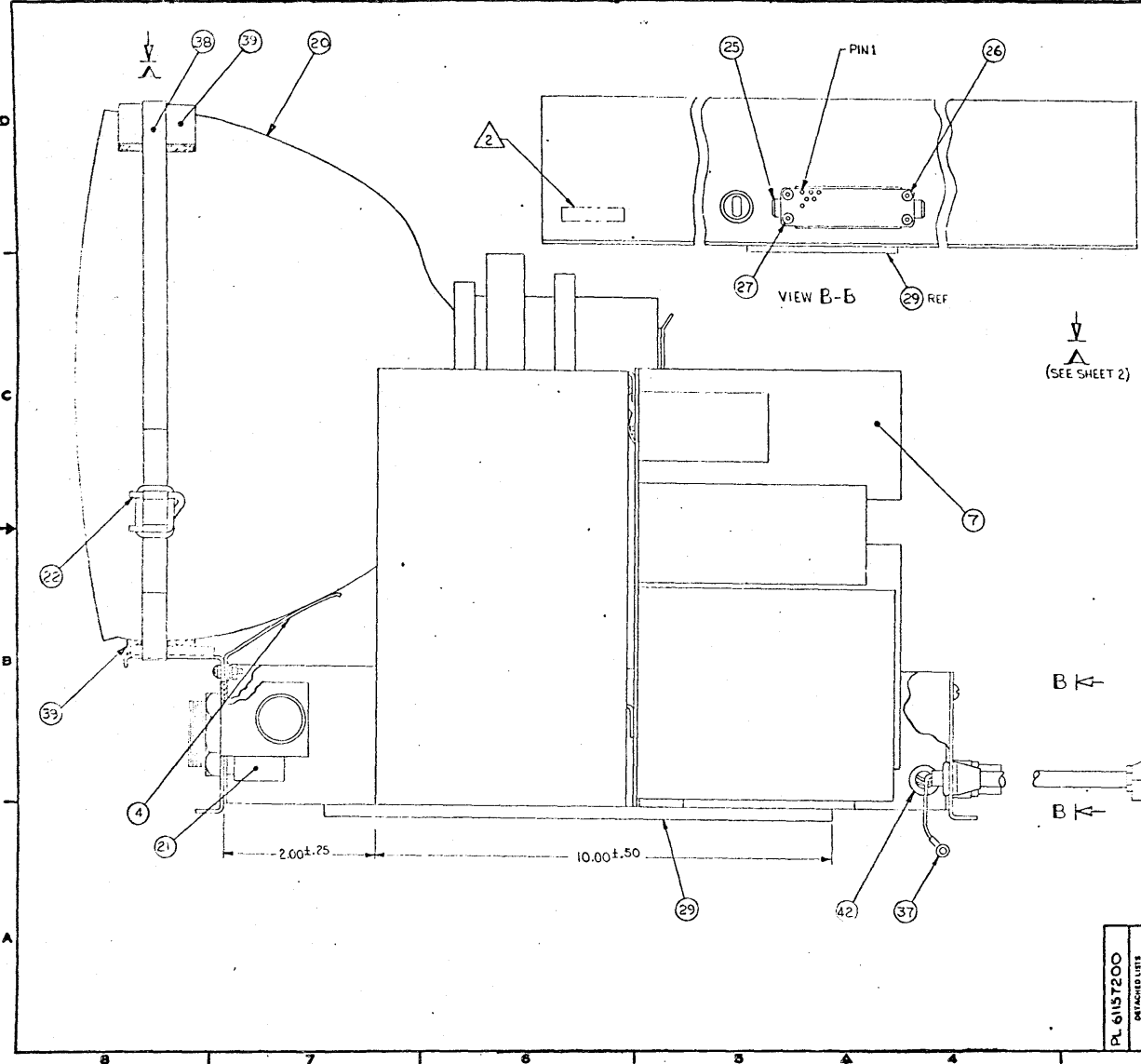
A-9/10



82128800

B-0-3

A-11



REVISION RECORD		REV	CO	DESCRIPTION	DATE	CHKD	APP
A	B	04670		REVISED PER E.C.D.	07/01/54		
A	C	04699		REVISED PER E.C.D.	07/01/54		
C	D	04717		REVISED PER E.C.D.	07/01/54		

- NOTES:
1. UNLESS OTHERWISE SPECIFIED, ALL HARDWARE IS TO MEET THE REQUIREMENTS OF THE APPLICABLE STANDARDS.
 2. APPLY "ASSY 61157200" AND "15920" IN AREA SHOWN. MARK PER SPEC 121553, CHARACTER HEIGHT .12 (12 PT) COLOR BLACK.
 3. REFERENCE DESIGNATIONS ARE SHOWN FOR REFERENCE ONLY AND MAY NOT APPEAR ON PART.
 4. ROUTE ALL WIRES AWAY FROM THE NECK OF THE CRT.

Figure A-3

PL 61157200 DETACHED LIST	UNLESS OTHERWISE SPECIFIED, ALL DIMENSIONS ARE IN INCHES	DATE PREPARED	TITLE
	TOLERANCES	10/505A	MONITOR ASSEMBLY
	DO NOT SCALE DRAWING	DESIGNED BY	DRAWN BY
		15920	61157200
			SHEET 1 OF 2

A-12

82128800

REVISION RECORD				
REV	ECO	DESCRIPTION	DATE	CHKD APP

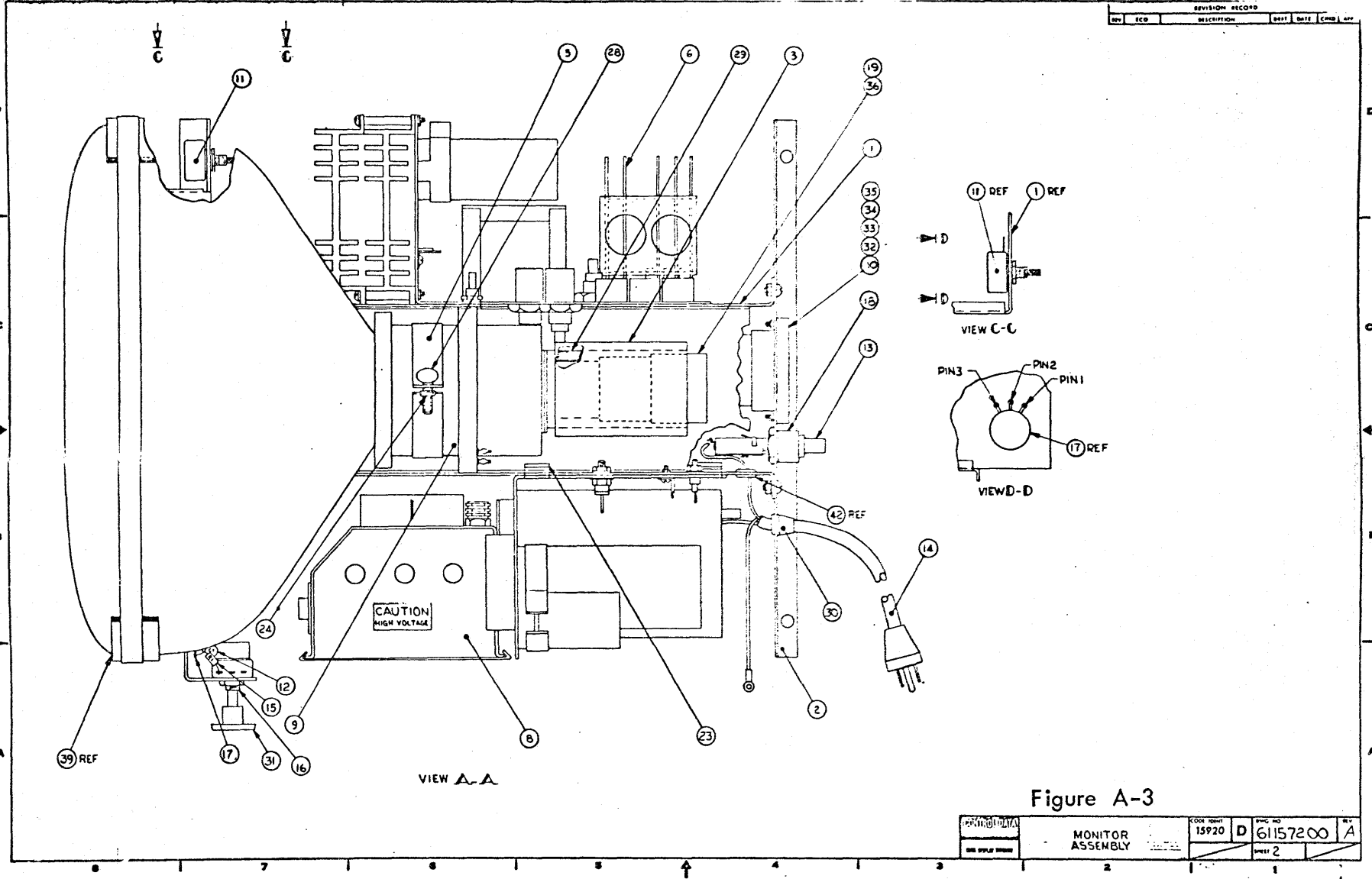


Figure A-3

	MONITOR ASSEMBLY	COOR 1041 15920	SPEC NO D 6157200	REV A
		SHEET 2		

82128800

ITEM NO.	REF DES	PART NUMBER	DESCRIPTION	QTY	ITEM NO.	REF DES	PART NUMBER	DESCRIPTION	QTY
12	CI	51001131	CAP.,FXD,CERAMIC; .1uf 500vdcw	1					
21	DSI	51594000	ALARM AUDIBLE SIGNAL; 2.8KHz 6-28v	1					
13	FI	51001832	FUSE CART; 2.00A 125V 3AG SB	1					
14	PI	51003307	CABLE,POWER; 3 #18 ga type SVT 8'lg	1					
15	RI	51000718	RESISTOR,FXD,COMP; 100K 5% 1/2W	1					
16	R2/SI	71108200	POTENTIOMETER MODIFIED	1					
11	R3	51642300	RESISTOR,VARIABLE,LIN; WW 20K 5W	1					
17	TBI	51006037	TERMINAL BOARD; 1 Dbl solder lug	1					
20	VI	51548904	ELECTRON TUBE; CRT 14" P-4 11 ft L	1					
18	XFI	51002783	FUSEHOLDER;Neon ind cir lens	1					
19	XVI	51001796	SOCKET,ELECTRON TUBE; Duo decal	1					

PART NO. 61157200

REVISION A

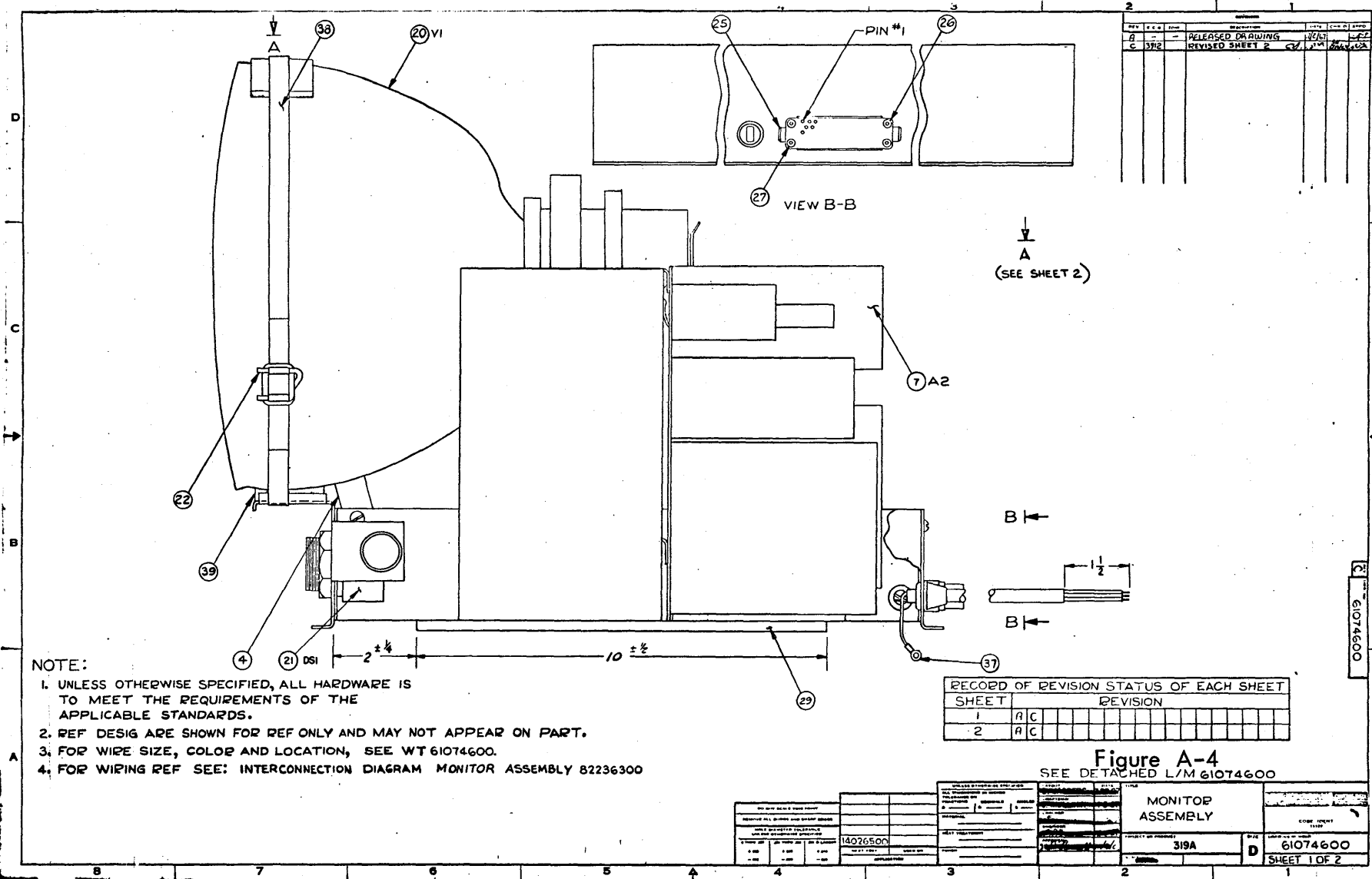
TITLE

MONITOR ASSEMBLY, 120 Volts- 60 Hertz
AI

A-13/14

82128800

A-15



REV	DATE	DESCRIPTION	BY	CHKD	APPD
A		RELEASED DRAWING			
B					
C	3/72	REVISED SHEET 2			

61074600

NOTE:
 1. UNLESS OTHERWISE SPECIFIED, ALL HARDWARE IS TO MEET THE REQUIREMENTS OF THE APPLICABLE STANDARDS.
 2. REF DESIG ARE SHOWN FOR REF ONLY AND MAY NOT APPEAR ON PART.
 3. FOR WIRE SIZE, COLOR AND LOCATION, SEE WT 61074600.
 4. FOR WIRING REF SEE: INTERCONNECTION DIAGRAM MONITOR ASSEMBLY 82236300

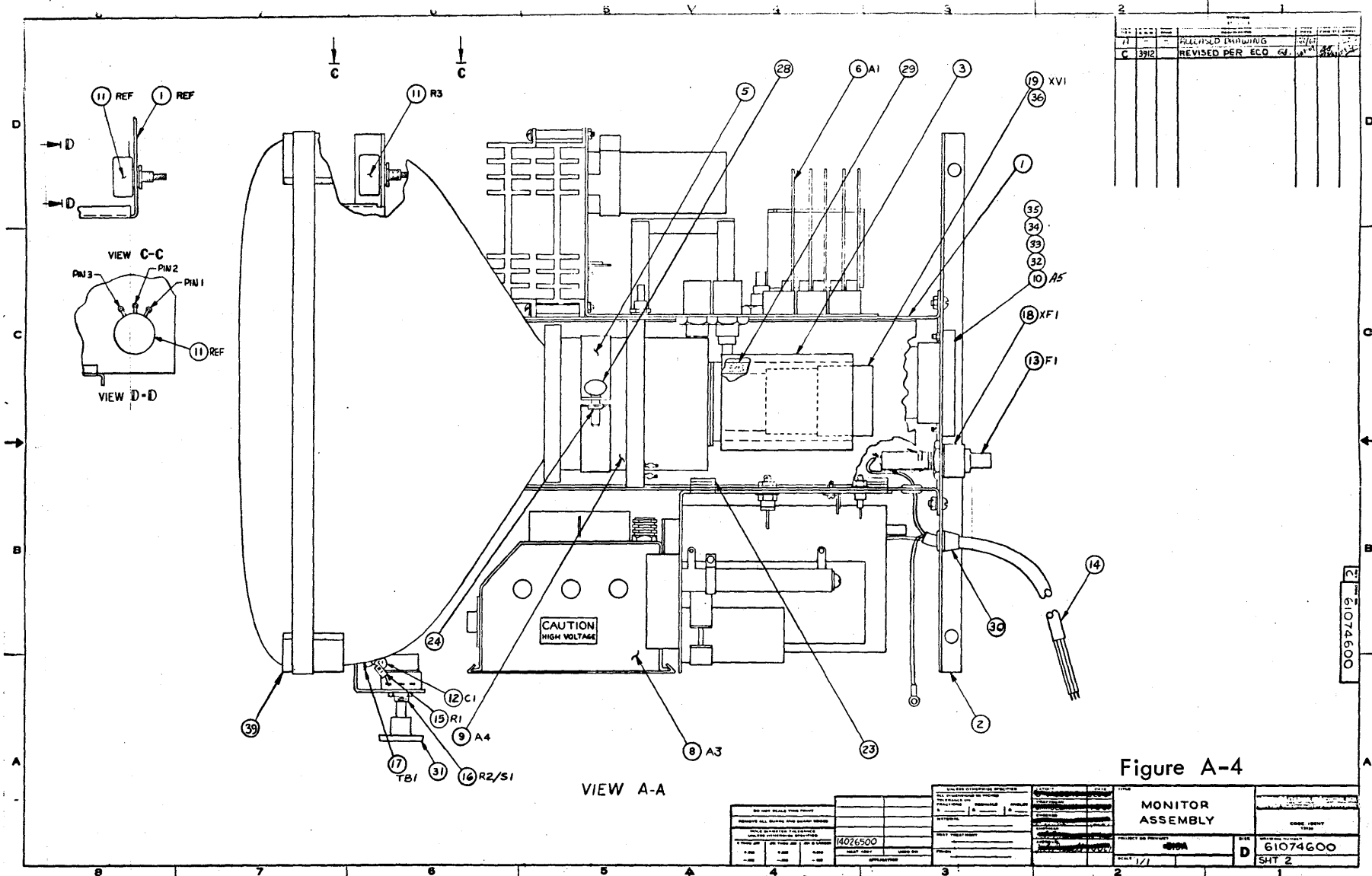
RECORD OF REVISION STATUS OF EACH SHEET	
SHEET	REVISION
1	A C
2	A C

Figure A-4
SEE DETACHED L/M 61074600

14026500 PART NUMBER		MONITOR ASSEMBLY TITLE	
319A PART OR DRAWING NUMBER		61074600 PART OR DRAWING NUMBER	
SHEET 1 OF 2		SHEET 1 OF 2	

A-16

82128800



REV	DESCRIPTION	DATE	BY	CHKD
1	RELEASED DRAWING	11/61		
2	REVISED PER ECO 64	11/61		

Figure A-4

DO NOT SCALE THIS DRAWING ALL DIMENSIONS ARE IN INCHES UNLESS OTHERWISE SPECIFIED DIMENSIONS IN PARENTHESES ARE FOR INFORMATION ONLY DIMENSIONS IN BRACKETS ARE FOR INFORMATION ONLY DIMENSIONS IN DASHES ARE FOR INFORMATION ONLY DIMENSIONS IN SOLIDS ARE FOR INFORMATION ONLY		14076500 REVISED PER ECO 64		MONITOR ASSEMBLY CODE 1000 61074600 SHEET 2	
---	--	--------------------------------	--	--	--

61074600

82128800

ITEM NO.	REF DES	PART NUMBER	DESCRIPTION	QTY	ITEM NO.	REF DES	PART NUMBER	DESCRIPTION	QTY
12	CI	51001131	CAP.,FXD,CERAMIC; .1 uf 500vdcw	1					
21	DSI	51594000	ALARM,AUD.SIGNAL; 2.8khz 6-28V pul	1					
13	FI	24529301	FUSE,CTG; 1 1/4A @ 250V, type MDX	1					
14	PI	51646500	CABLE,SPL PURPOSE,ELEC; 3-#18 ga	1					
15	RI	51000718	RESISTOR,FIXED,COMP; 100K 5% 1/2W	1					
16	R2/SI	71108200	POTENTIOMETER; Modified	1					
11	R3	51642300	RESISTOR,VAR; Lin WW 20K 5W	1					
17	TBI	51006037	TERM.BD; 1 dbl solder lug, T-type	1					
20	VI	51548904	ELEC.TUBE; CRT 14",P4, 11 ft. L.	1					
18	XFI	51002783	FUSEHOLDER; Ne.ind clr lens 90-250V	1					
19	XVI	51001796	SOC.ELECTRON TUBE; Duodecal 12 pin	1					
									61074600/c
									MONITOR, 220 VOLTS-50 HERTZ A1

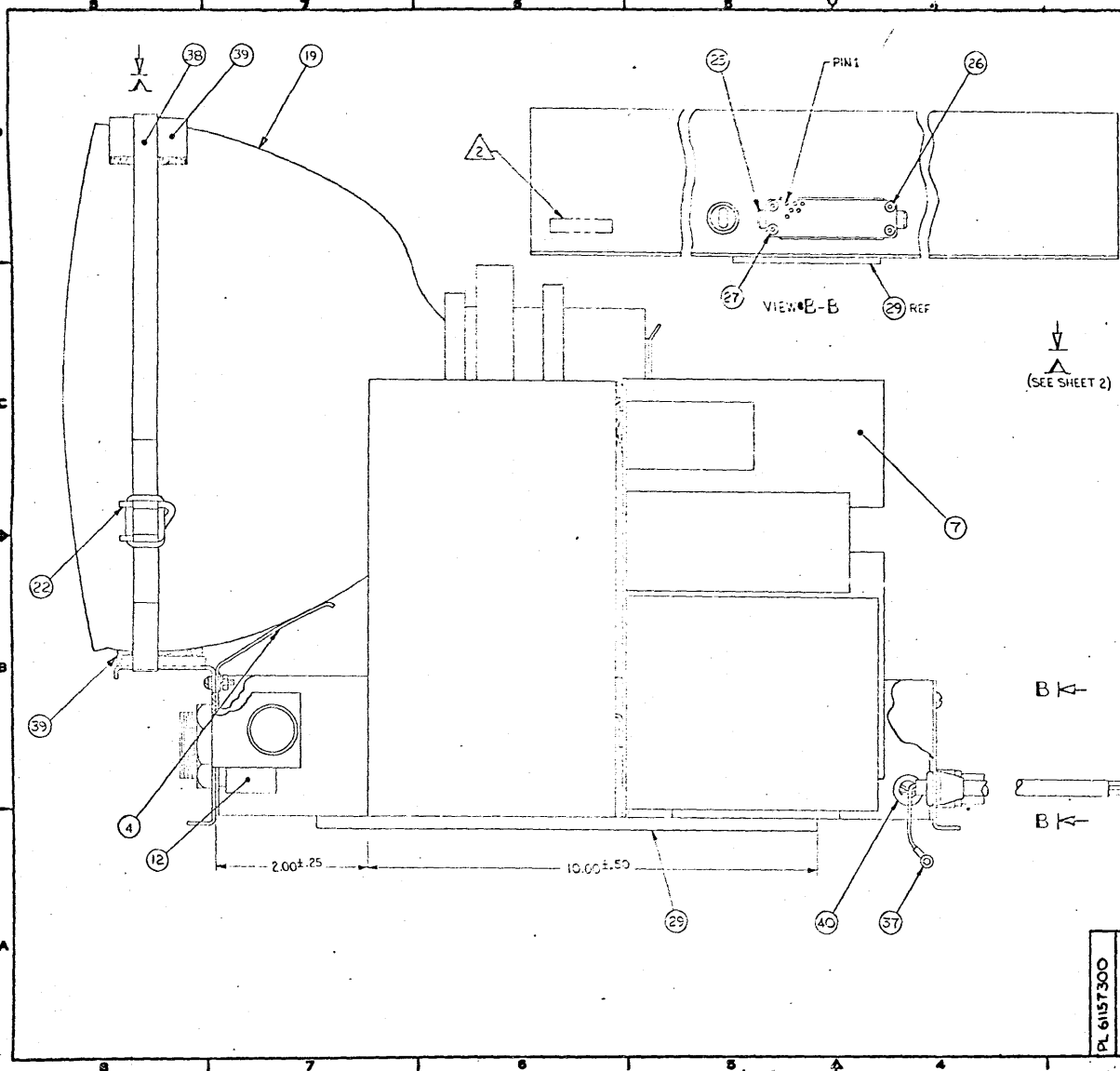
A-17/18



82128800

B-0-3

A-19



SHEET REVISION STATUS		REVISIONS RECEIVED			
REV	CD	DESCRIPTION	DATE	CHD	APP
A	B	02670 REVISED PER E.C.O.			
B					
C					
D					
E					

- NOTES:
1. UNLESS OTHERWISE SPECIFIED, ALL HARDWARE IS TO MEET THE REQUIREMENTS OF THE APPLICABLE STANDARDS.
 2. APPLY "ASSY 61157300" AND "15920" IN AREA SHOWN. MARK PER SPEC 10121508, CHARACTER HEIGHT .12 (12 PT) COLOR BLACK.
 3. REFERENCE DESIGNATIONS ARE SHOWN FOR REFERENCE ONLY AND MAY NOT APPEAR ON PART.
 4. ROUTE ALL WIRES AWAY FROM THE NECK OF THE CRT.

Figure A-5

PL 61157300 ATTACHED LIST	TOLERANCES		DATA DISPLAY		TITLE	
	FRAMES	FRAMES	DATE	BY	MONITOR ASSEMBLY	
	DO NOT SCALE DRAWING	FRAMES	15920	CC5058	CODE IDENT	DRAWING NO
	MATERIAL	FRAMES			15920	D 61157300
SCALE		SHEET 1 OF 2				

A-20

82128800

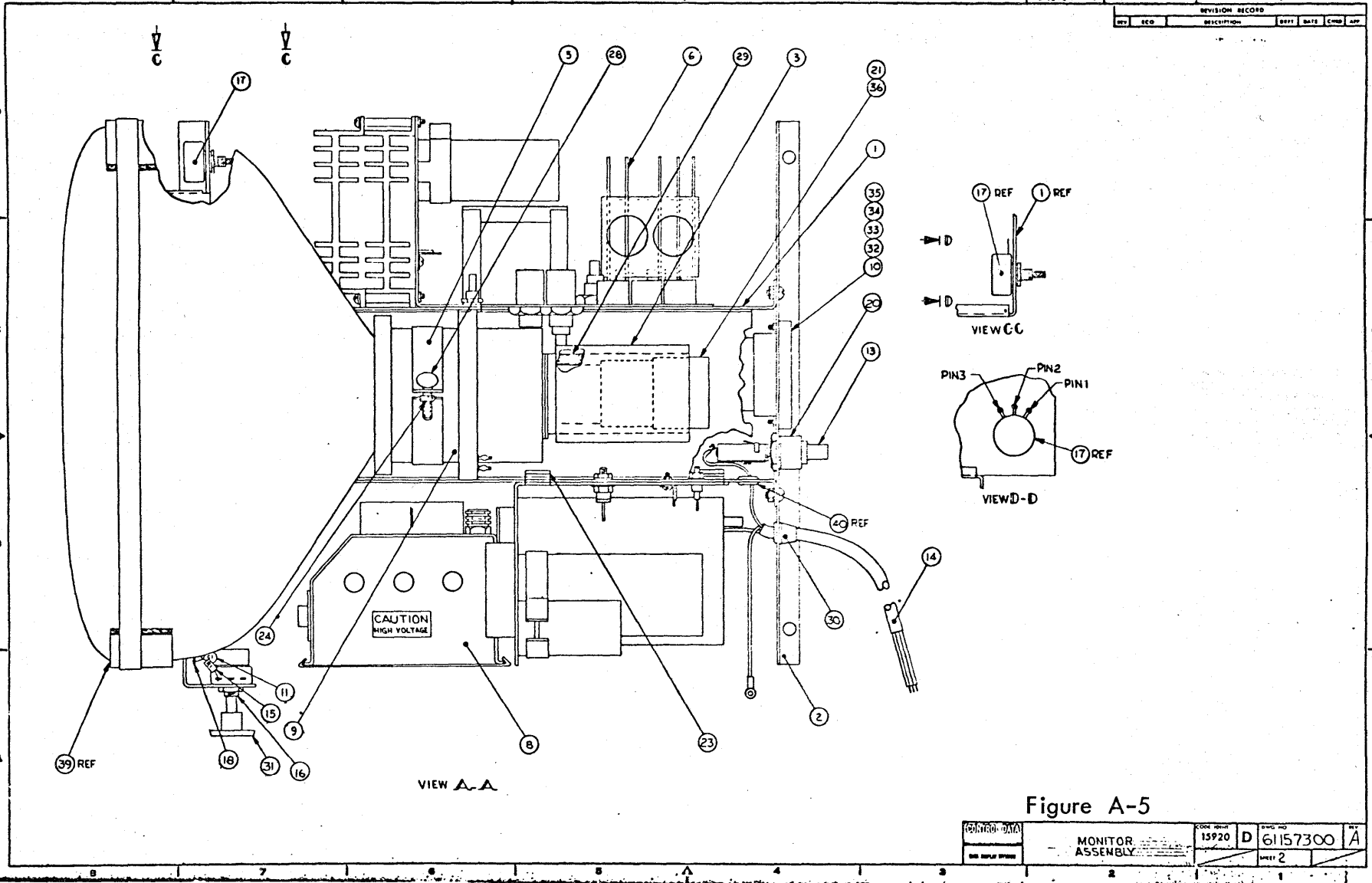


Figure A-5

	MONITOR ASSEMBLY	15920	D	61157300	A
				SHEET 2	

82128800

ITEM NO.	REF DES	PART NUMBER	DESCRIPTION	QTY	ITEM NO.	REF DES	PART NUMBER	DESCRIPTION	QTY
11	CI	51001131	CAP,FXD,CERAMIC; .1uf 500vdcw	1					
12	DSI	51594000	ALARM AUDIBLE SIGNAL; 2.8KHZ 6-28V	1					
13	FI	24529301	FUSE CART; 1-1/4A 250V Type MDX	1					
14	PI	51646500	CABLE SPL PUR; 3 #18 ga 8' Lg	1					
15	RI	51000718	RESISTOR,FXD,CCMP; 100K 5% 1/2W	1					
16	R2/S1	71108200	POTENTIOMETER MODIFIED	1					
17	R3	51642300	RESISTOR,VAR; Lin WW 20K 5W	1					
18	TB1	51006037	TERMINAL BOARD; 1 dbl solder lug	1					
19	VI	51548904	ELECTRON TUBE; CRT 14" P4 11 ft L	1					
20	XFI	51002783	FUSEHOLDER; Neon ind cir lens	1					
21	XVI	51001796	SOCKET,ELECTRON TUBE; Duo decal	1					

PART NO. 61157300

REVISION A

TITLE

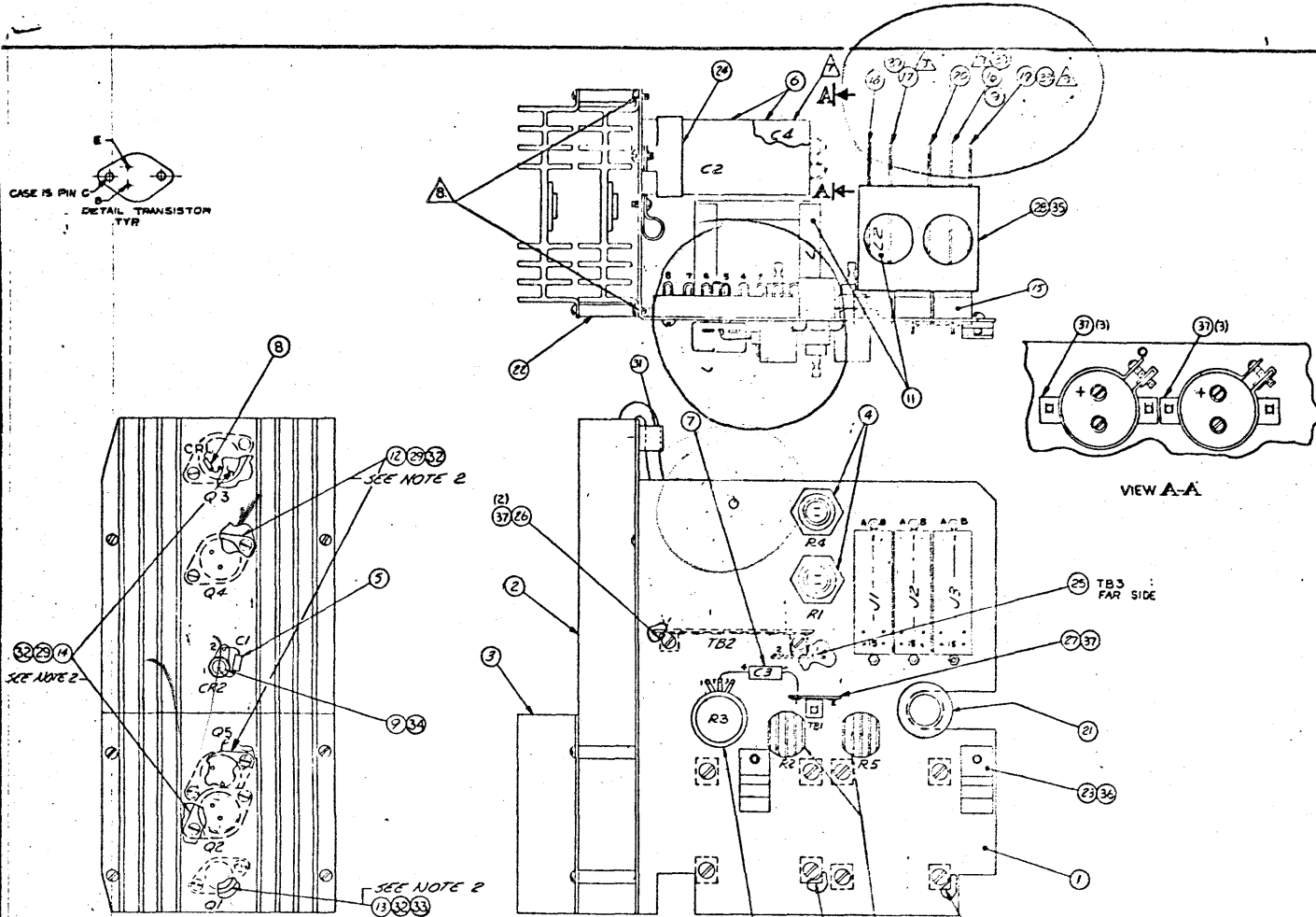
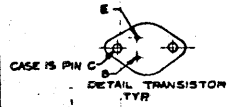
MONITOR ASSEMBLY , 220 Volts- 50 Hertz
A1

A-21

A-22

B-0-3

82128800



- NOTE:
1. SIZES & LENGTHS OF SCREWS, NUTS & WASHERS TO BE DETERMINED AT ASSEMBLY.
 2. ITEMS 12, 13 & 14 TO BE ASSEMBLED WITH MICA WASHER & NYLON BUSHINGS. APPLY SILICONE GREASE TO BOTH SIDES OF MICA WASHER.
 3. FOR WIRING SEE WIRE TABS 6100019.
 4. REF DESIG & PIN NO'S ARE FOR REF ONLY & DO NOT APPEAR ON THE PART.

5. REF SCHEMATIC 82200068
 6. THE TOP LEADS ON R1, R2, R4 & R5 WILL BE PIN 1
- ▲ ON C4 & C2 + TERMINAL IS PIN 1
- ▲ APPLY SILICONE GREASE
▲ PROTECTIVE CAPS TO BE INSTALLED ON TOP TYPE TRANSISTORS

REV	DATE	DESCRIPTION	BY	CHKD
A	770	ADDED TRANSISTOR VIEW, PIN NOS. & NOTES G 6 & 7	9265	JWH
B	867	ADDED CARD SPACER RELOCATED ITEMS 4, 10, 21, R4, R2, R5 ADDED CALLOUT FOR ITEM 29	1110	JWH
C	900	ADDED CABLE CLAMP, ROTATED LAMP CLAMPS 187 & 188, RELOCATED NUT & SCREW ITEM 27 WAS 22. REMOVED INDIVIDUAL SPACIAL FROM PG. CARDS, CHANGED TR 2 VIEW.	1110	JWH
D	936	ADDED NOTE 8 & 8 INTERCHANGED 03 & 05, DWG NO WAS 300009	1110	JWH
E	906	CHANGED POSITION OF CRI1 CORRECTED CALLOUT FOR ITEMS 12 & 14.	1110	JWH
F	907	RELOCATED ITEM 23, REVISED VIEW OF ITEM 24, & CHANGED VIEW OF SCREW FOR CLAMP ITEM 21	1110	JWH
K	440	ADDED ITEMS 35 & 36	1110	JWH
L	427	ADDED ITEMS 37 & 38, AND ADDED VIEW A-A	1110	JWH
M	177	REVISED FEEL BCD	1110	JWH
N	522	REVISED PER CCC	1110	JWH

VIEW A-A

Figure A-6
FOR LIST OF MATERIAL SEE C/M 6100019

ITEM NO.	DESCRIPTION	QUANTITY	UNIT	REMARKS
1
2
3
4
5
6
7
8
9
10
11
12
13
14
15
16
17
18
19
20
21
22
23
24
25
26
27
28
29
30
31
32
33
34
35
36
37
38

CONTRACT NO. CODE #

6100019

82128800

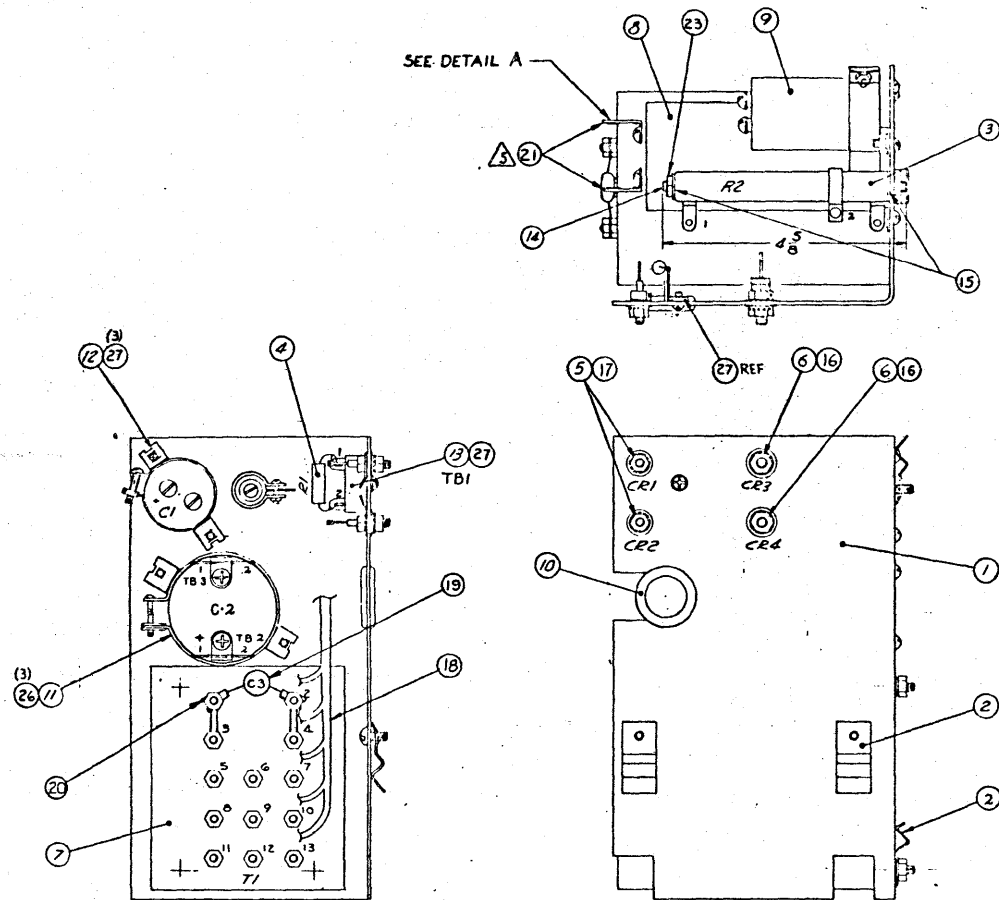
B-0-3

A-23

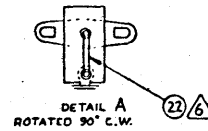
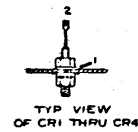
ITEM NO.	REF DES	PART NUMBER	DESCRIPTION	QTY	ITEM NO.	REF DES	PART NUMBER	DESCRIPTION	QTY
5	C1	51001145	CAP.,FXD,PLSTC; .0068 uf 200vdcw	1					
6	C2	51001212	CAP.,FXD,ELECT.; 10000 uf 5vdcw	2					
7	C3	51001163	CAP.,FXD,ELECT.; 47 uf 20vdcw	1					
	C4		SAMEAS C2						
8	CR1	51001239	SEMICOND.DEVICE,DIODE; 75V Si	1					
9	CR2	51001283	SEMICOND.DEVICE,DIODE; Zener 75V	1					
15	J1	10001804	CONN,RECP; 30 Soc Contact (card)	3					
	Thru								
	J3								
11	L1	51638600	REAC; High cur. choke .035 henries	2					
	L2		SAME AS L1						
13	Q1	51003115	TSTR; NPN Si mtg case, high power	1					
14	Q2	51003117	TSTR; NPN Si TO3 case, high power	2					
	Q3		SAME AS Q2						
12	Q4	51593500	TSTR; PNP Ge TO3 case, high power	2					
	Q5		SAME AS Q4						
4	R1	51000893	RESISTOR,FXD,WW; 1 ohm 1% 25W	4					
	R2		SAME AS R1						
10	R3	51001426	RESISTOR,VAR; Lin ww 200 ohm 5W	1					
	R4		SAME AS R1						
	R5		SAME AS R1						
27	TB1	51006037	TERM.BD; 1 dbl solder lug, T-type	1					
26	TB2	51006038	TERM.BD; 8 solder lugs brkt type	1					
25	TB3	51006039	TERM.BD; 2 solder lugs brkt type	1					
16		90000399	CIRCUIT CARD ASSEMBLY; Type 044	1					
17		90000402	CIRCUIT CARD ASSEMBLY; Type 044A	1					
18		90000405	CIRCUIT CARD ASSEMBLY; Type 046	1					
19		90000408	CIRCUIT CARD ASSEMBLY; Type 211	1					
20		90000411	CIRCUIT CARD ASSEMBLY; Type 491	1					
39		94338100	CAP, PROTECTIVE, TRANSISTOR	AR					

61000119/L

DEFLECTION
AIAI



SEE DETAIL A



NOTE:
 1. SIZES & LENGTHS OF SCREWS, NUTS & WASHERS TO BE DETERMINED AT ASSEMBLY
 2. FOR WIRES, SEE WIRE TAB 61000120
 3. REF DESIG ARE FOR REF ONLY & DO NOT APPEAR ON THE PART.
 4. REF SCHEMATIC 82299962
 INCREASE MOUNTING HOLE TO .187 DIA.
 SOLDER ITEM 22 BETWEEN CROSS LUG AND MOUNTING LUG.

REV	DESCRIPTION	DATE	BY
A	776 ADD ITEM 15 & VIEW C-2 DIODES CHANGED NOTE	11/71	JH
B	886 ITEMS 14, 17 & 18 ADDED	1/72	JH
C	909 "S" W/42	1/72	JH
D	1172 C-2 ADDED ITEMS 19 & 20	1/72	JH
E	1208 ADD ITEMS 21 & 22 NOTE 518 & DETAIL A DWG NO WAS 300010	1/72	JH
F	1484 C-2 ITEM 2 QTY 5 WAS 3	1/72	JH
G	1830 ROTATED CLAMP FOR CAPACITOR C-2 180°	1/72	JH
H	3241 REVISED LM ONLY DCS 4 23 70	1/72	JH
I	4025 ADDED ITEM 23, DELETED WIRE 22	1/72	JH
J	4870 ADDED ITEM 22	1/72	JH

Figure A-7

FOR LIST OF MATERIAL SEE C/M 61000120

61000120		LOW VOLTAGE A1A2		DATA DISPLAY, UNCOMPARED SHORT PULSE, DIODES	
6102500		7902		61000120	
CONTRACT NO.		CODE 15920			

82128800

ITEM NO.	REF DES	PART NUMBER	DESCRIPTION	QTY	ITEM NO.	REF DES	PART NUMBER	DESCRIPTION	QTY
9	C1	51001211	CAP.,FXD,ELECT.; 2400 uf 10vdcw	1				*LOW VOLTAGE ASSEMBLY 61074700, 220 VOLTS-50 HERTZ, differs only in part number.	
8	C2	51001210	CAP.,FXD,ELECT.; 15000uf 20vdcw	1					
19	C3	51549700	CAP.,FXD,CERAMIC; .02uf 125VAC	1					
5	CR1	51001319	SEMICOND.DEVICE,DIODE; 95V silicon	2					
	CR2		SAME AS CR1						
6	CR3	51001320	SEMICOND.DEVICE,DIODE; 100V Si	2					
	CR4		SAME AS CR3						
4	R1	51000896	RESISTOR,FIXED,WW; 3.6 ohms 5% 3W	1					
3	R2	51005999	RES.ADJUSTABLE; WW 1 ohm 10% 50W	1					
7	T1	51006053	XMFR,PWR,STEP-DN; 115/230 mlt/out	1					
13	TB1	51006039	TERM.BD; 2 solder lugs brkt type	1					
21	TB2	51006037	TERM.BD; 1 dbl solder lug, T type	2					
	TB3		SAME AS TB2						
									61000120/L
									*LOW VOLTAGE, 120 VOLTS-60HERTZ A1A2

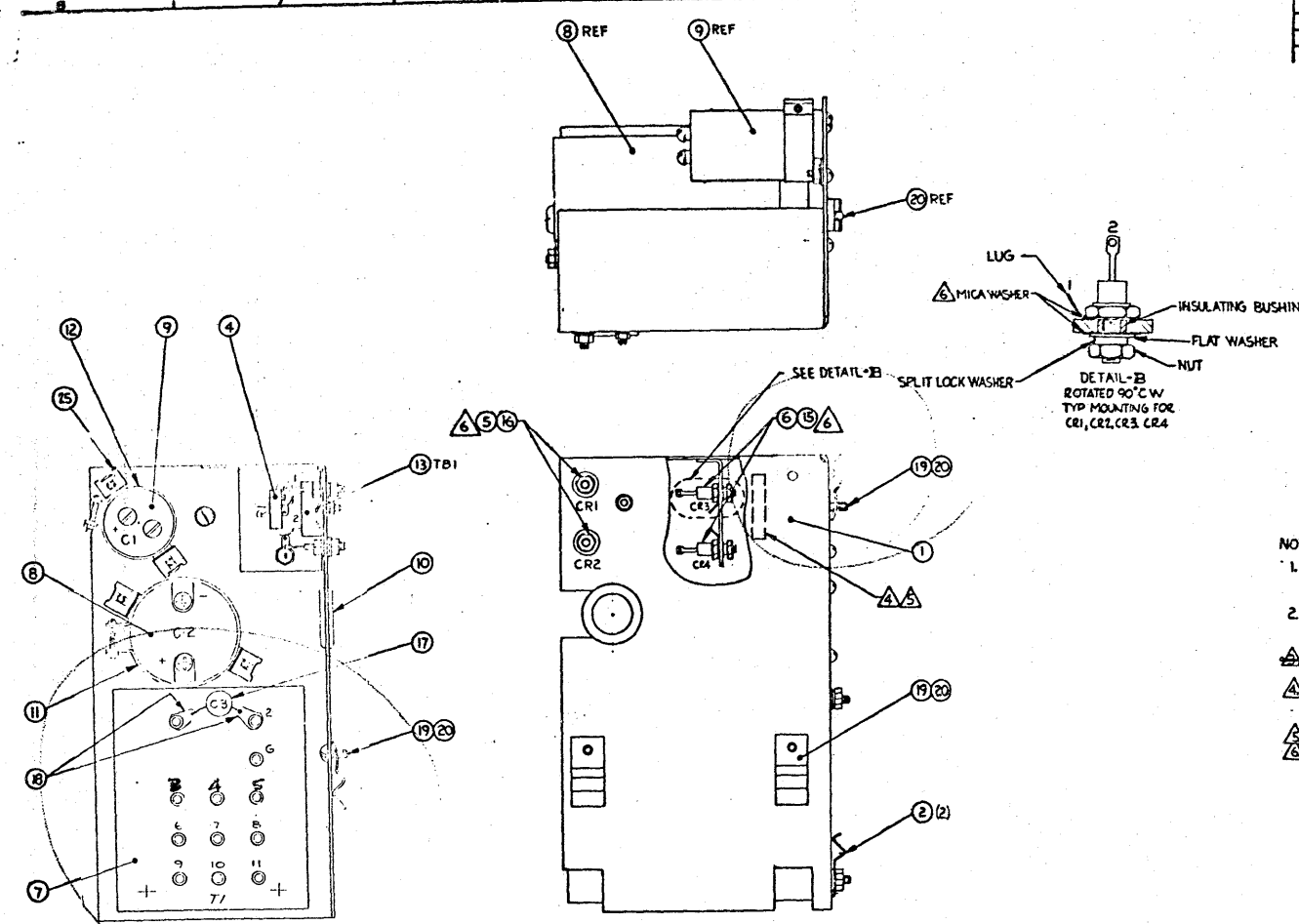
A-25

A-26

B-0-3

82128800

REVISION RECORD		DATE	BY	APP
01	ADDED NOTES 4,5,6 CHANGED DETAIL B ADDED ITEM 21	1/1/77
02	REVISED ITEMS 8 & 18	1/1/77
A	RELEASED	1/1/77
B	SEE ECO
C	DELETED ITEMS 30A
D	REVISED PER ECO



- NOTES
- UNLESS OTHERWISE SPECIFIED, ALL HARDWARE IS TO MEET THE REQUIREMENTS OF THE APPLICABLE STANDARDS.
 - REFERENCE DESIGNATIONS ARE SHOWN FOR REFERENCE ONLY AND MAY NOT APPEAR ON PART.
- ▲ COLDER ITEM 14 BETWEEN GROSE LUG AND ~~...~~
- ▲ APPLY "ASSY 61156300" AND "15920" IN AREA SHOWN MARK PER SPEC 10121508, CHARACTER HEIGHT .12 (12PT) COLOR BLACK.
- ▲ ADD PRESENT REVISION STATUS, MARK AS PER NOTE 4.
- ▲ COAT BOTH SIDES OF MICA WASHER(S) AND MOUNTING SURFACE OF SEMICONDUCTORS WITH SILICON GREASE.

Figure A-8

PL 61156300 DETAILED LISTS	UNLESS OTHERWISE SPECIFIED DIMENSIONS ARE IN INCHES	DATE REVISION APPROVED	TITLE
	PLG RANGE PLG A	15430	LOW VOLTAGE ASSEMBLY A1A2
DO NOT SCALE DRAWING	DESIGNED BY	CODE REVISION	DRAWING NO
	CHECKED BY	15920	D 61156300
	DATE		SHEET OF

82128800

ITEM NO.	REF DES	PART NUMBER	DESCRIPTION	QTY	ITEM NO.	REF DES	PART NUMBER	DESCRIPTION	QTY
9	C1	51001211	CAP,FXD,ELECT; 2400uf 10vdcw	1					
8	C2	51587000	CAP,FXD,ELECT; 22000uf 25vdcw	1					
17	C3	51549700	CAP,FXD,CERAMIC; .02uf 125vac	1					
5	CR1	51001319	SEMICONDUCTOR DEVICE,DIODE;95V Si	2					
	CR2		SAME AS CR1						
6	CR3	51001320	SEMICONDUCTOR DEVICE,DIODE;100V Si	2					
	CR4		SAME AS CR3						
4	R1	51000896	RESISTOR,FXD,WW; 3.6 ohms 5% 3W	1					
7	T1	51747100	TRANSFORMER,PWR SP/DN;115/60HZ	1					
13	TB1	51006039	TERMINAL BRD; 2 solder lug brk type	1					
					PART NO. 61156300			REVISION B	
					TITLE LOW VOLTAGE ASSEMBLY (60 Hz) A1A2				

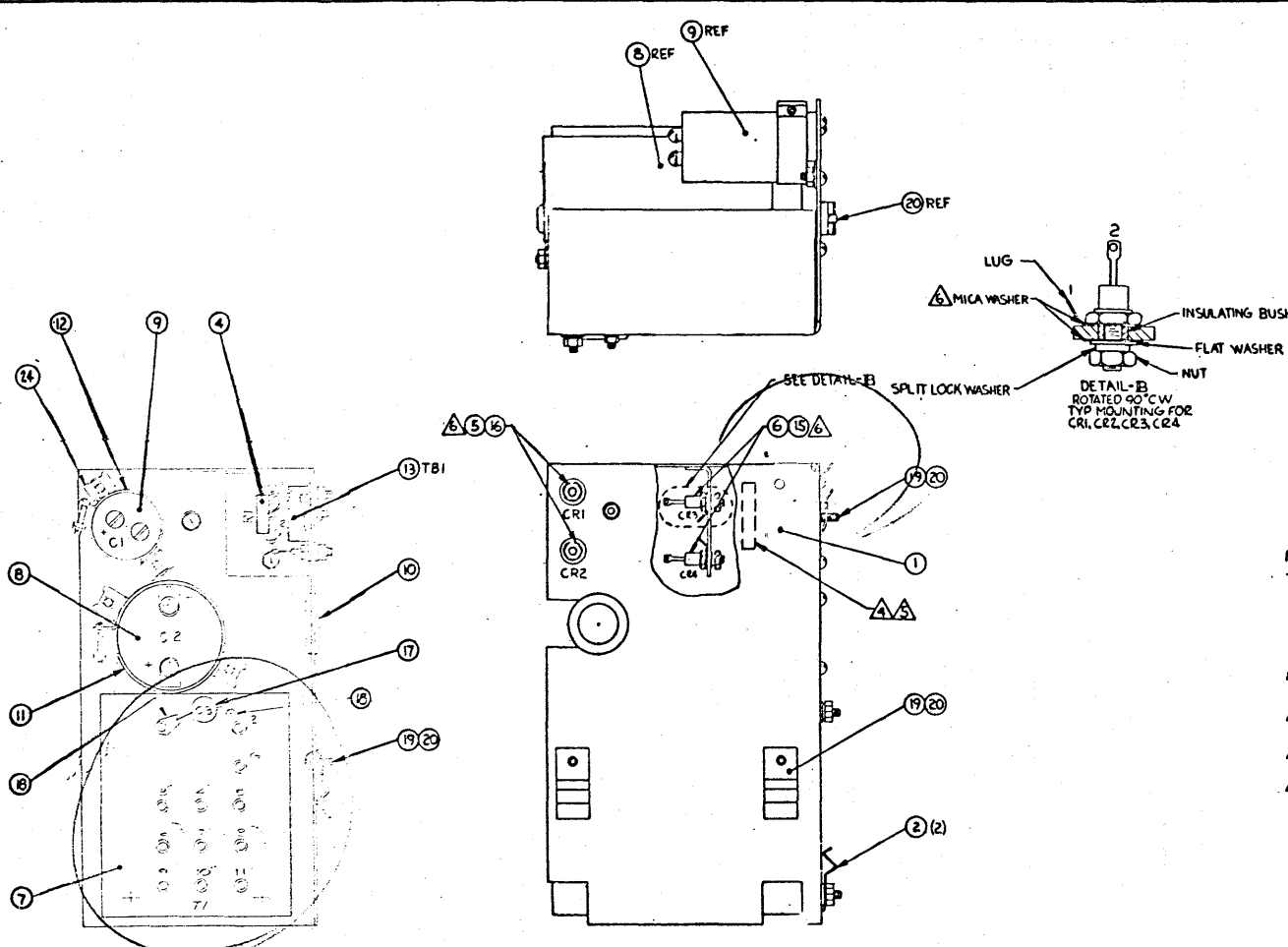
S-A-27

A-28

B-0-3

82128800

SHEET REVISION STATUS		REVISION RECORD				
REV	CD	DESCRIPTION	DATE	DATE	CHKD	APP
01		ADDED NOTES 5/16	5/16	6/13	BT	
		ADDED ITEM 21 C				
		CHANGED DETAIL B				
		REVISED ITEMS 17/18	6/5	7/29	BT	
A						
B	4405	SEE ECO	7/29	7/29	BT	
C	4553	COLLECTED ITEMS 3/16	7/29	7/29	BT	
D	05177	REV SED PER ECO	5/20	7/1	BT	



- NOTES
- UNLESS OTHERWISE SPECIFIED, ALL HARDWARE IS TO MEET THE REQUIREMENTS OF THE APPLICABLE STANDARDS
 - REFERENCE DESIGNATIONS ARE SHOWN FOR REFERENCE ONLY AND MAY NOT APPEAR ON PART.
 - GOLDER ITEM 14 BETWEEN CROSS LUG AND MOUNTING LUG OF ITEMS 3.
 - APPLY TYP 61158000 AND 15920 IN AREA SHOWN, MARK PER SPEC 10121508, CHARACTER HEIGHT .12 (12 PT) COLOR BLACK.
 - ADD PRESENT REVISION STATUS, MARK SAME AS PER NOTE 4
 - COAT BOTH SIDES OF MICA WASHER(S) AND MOUNTING SURFACE OF SEMICONDUCTORS WITH SILICON GREASE

Figure A-9

PL 61158000	UNLESS OTHERWISE SPECIFIED DIMENSIONS ARE IN INCHES		DATE SHOWN BY		TITLE	
	PLACE	PLACE	DATE	BY	LOW VOLTAGE ASSEMBLY (50 Hz) A1A2	
TOLERANCES		15430		DRAWING NO		
DO NOT SCALE DRAWING		CHECKED BY		15920 D 61158000		
MATERIAL		ENGINEER		DRAWING NO		
PARTS		APPROVED		15920 D 61158000		
APPROVED		DATE		SHEET OF		

82128800

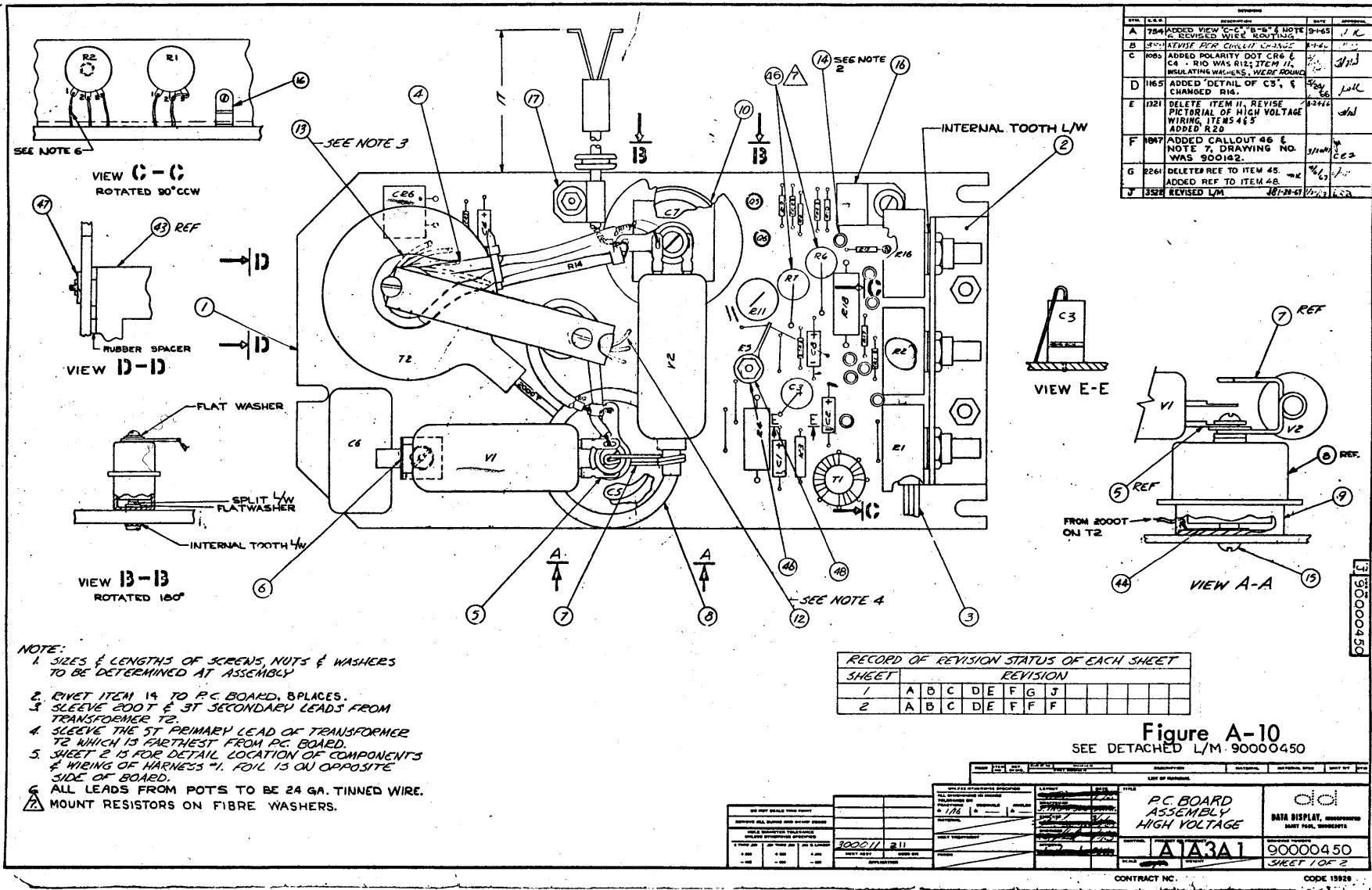
ITEM NO.	REF DES	PART NUMBER	DESCRIPTION	QTY	ITEM NO.	REF DES	PART NUMBER	DESCRIPTION	QTY
9	C1	51001211	CAP,FXD,ELECT; 2400 uf 1ovdcw	1					
8	C2	51587000	CAP,FXD,ELECT; 22000 uf 25vdcw	1					
17	C3	51649700	CAP,FXD,CERAMIC; .02 uf 240vac	1					
5	CR1	51001319	SEMICONDUCTOR DVC D10; 95V SILICON	2					
	CR2		SAME AS CR1						
6	CR3	51001320	SEMICONDUCTOR DVC D10; 100V Si	2					
	CR4		SAME AS CR3						
4	R1	51000896	RESISTOR,FXD,WW; 3.6 ohms 5% 3W	1					
7	T1	51747000	TRANSFORMER,PWR,STEP DN; 212V,50HZ	1					
13	TB1	51006039	TERM BRD; 2 solder lug brk type	1					

PART NO. 61158000 REVISION B

TITLE
 LOW VOLTAGE ASSEMBLY (50 Hz)
 A1A2

A-29/30





REV.	DATE	DESCRIPTION	BY	CHKD.
A	9-1-65	ADDED VIEW C-C "B-B" & NOTE 6. SCREWED WIRE ROUTING	JR	
B	9-1-65	ADVISE FOR CIRCUIT CHANGE	JR	
C	9-1-65	ADDED POLARITY DOT C2 & C4 - R10 WAS R12; ITEM 11, INSULATING WASHERS, WERE ADDED	JR	
D	9-24-66	ADDED DETAIL OF C3, & CHANGED R14.	JR	
E	9-24-66	DELETE ITEM 11, REVISE PICTORIAL OF HIGH VOLTAGE WIRING, ITEMS 4 & 5, ADDED R20	JR	
F	9-24-66	ADDED CALLOUT 46 & NOTE 7, DRAWING NO. WAS 900142.	JR	
G	9-24-66	DELETED REF TO ITEM 45, ADDED REF TO ITEM 48.	JR	
H	10-1-66	REVISED L/M	JR	

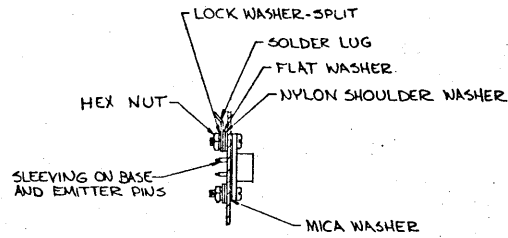
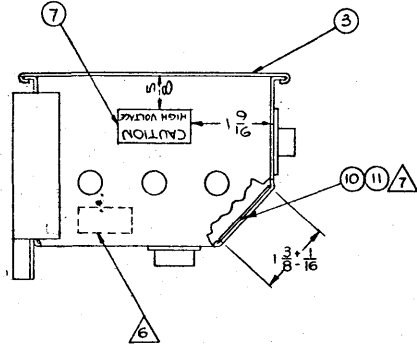
- NOTE:**
1. SIZES & LENGTHS OF SCREWS, NUTS & WASHERS TO BE DETERMINED AT ASSEMBLY
 2. RIVET ITEM 14 TO P.C. BOARD, 5 PLACES.
 3. SLEEVE 200T & 3T SECONDARY LEADS FROM TRANSFORMER T2.
 4. SLEEVE THE 5T PRIMARY LEAD OF TRANSFORMER T2 WHICH IS FARTHEST FROM P.C. BOARD.
 5. SHEET 2 IS FOR DETAIL LOCATION OF COMPONENTS & WIRING OF HARNESS "1". FOIL IS ON OPPOSITE SIDE OF BOARD.
 6. ALL LEADS FROM POTS TO BE 24 GA. TINNED WIRE.
- ▲ MOUNT RESISTORS ON FIBRE WASHERS.

SHEET	REVISION									
	A	B	C	D	E	F	G	H	I	J
1										
2										

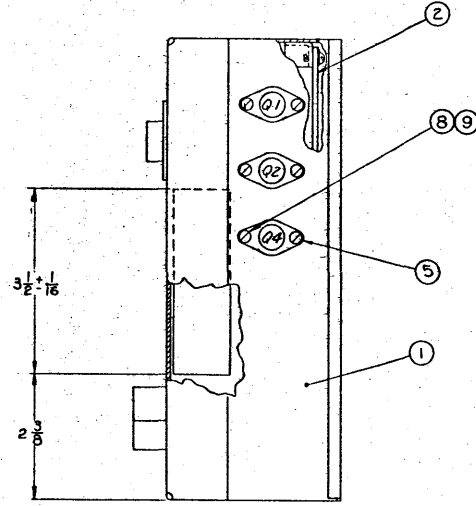
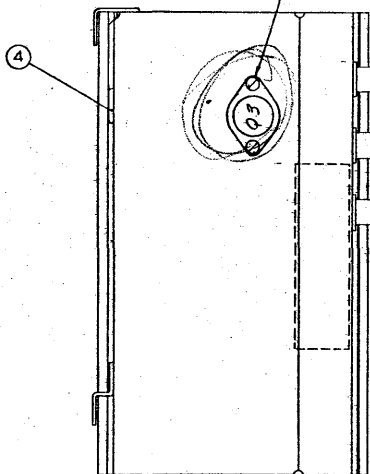
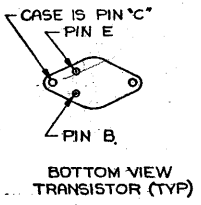
Figure A-10
SEE DETACHED L/M 90000450

ALL INFORMATION CONTAINED HEREIN IS UNCLASSIFIED DATE 1/18/00 BY 178/10	P.C. BOARD ASSEMBLY HIGH VOLTAGE DATA DISPLAY, UNIVERSAL
300011 211 90000450	90000450 SKET 1 OF 2
CONTRACT NO. CODE 15928	

WIRE TAB	
COLOR	DESTINATION
BROWN	Q3-B
BROWN	Q4-C
RED	Q3-E
GREEN	Q3-C
BLUE	Q4-B
WHITE	Q2-E
WHITE	Q4-E
WHITE	Q1-E
VIOLET	Q2-C
ORANGE	Q2-B
YELLOW	Q1-B
BLACK	Q1-C



TYP TRANSISTOR MTG
4 PLACES



REV.	DRAWN	DATE	DESCRIPTION	BY	CHK'D	APP'D
A			ADDED NOTES 5 & 6			
B	D.P.		COLOR CODE FOR WIRE TAB CHANGES; NOTE C & NOTE C-6 CALLOUT DELETED; PIC1 PICTURE UPDATED			
C	4247	B-4	ADDED ITEMS 8 THRU 11 & NOTES 6 & 7			

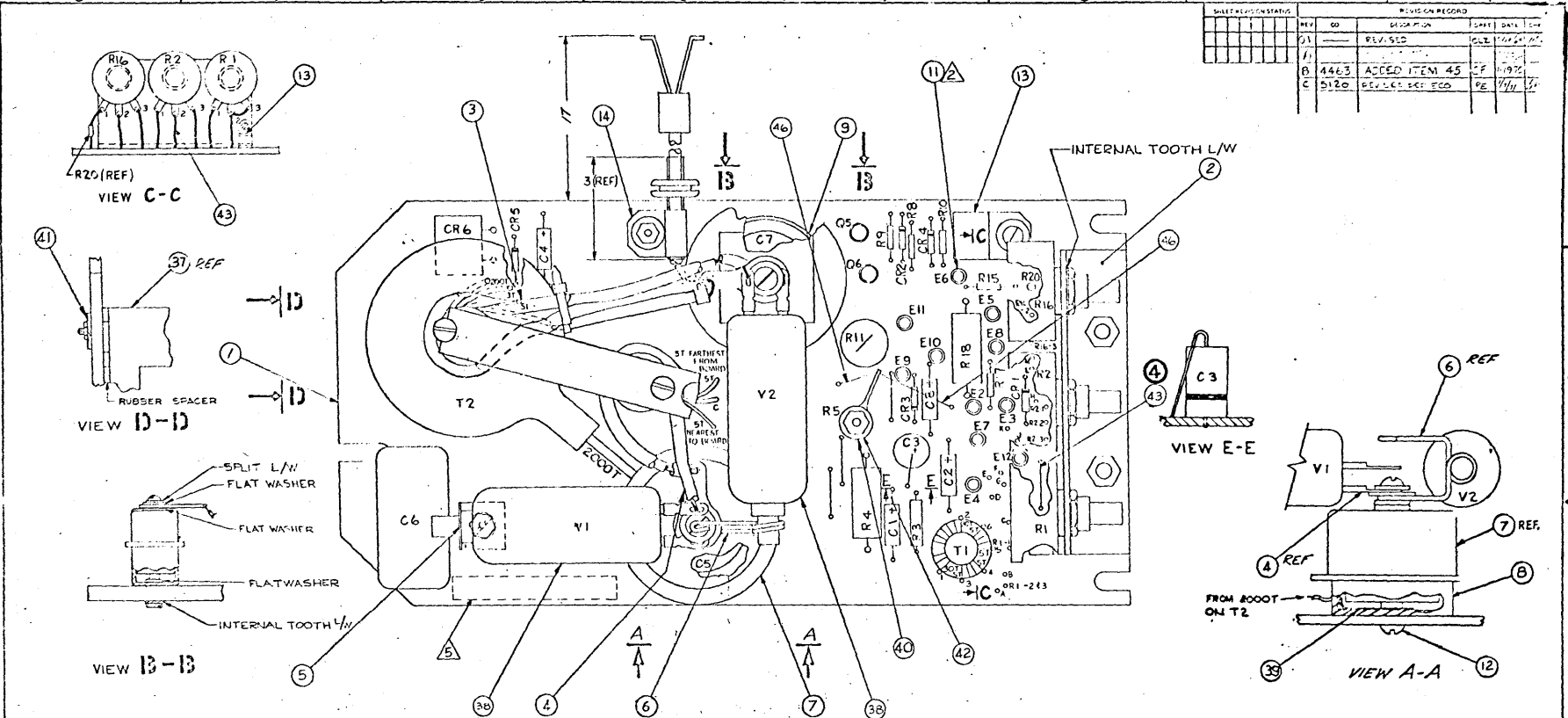
- NOTE:
1. HARDWARE TO MEET THE REQUIREMENTS OF THE APPLICABLE STANDARDS.
 2. REF DESIG ARE FOR REF ONLY & DO NOT APPEAR ON THE PART.
 3. ASSEMBLE ITEM 7 TO ITEM 1 WITH EPOXY ADHESIVE.
 4. REF SCHEMATIC 82200070.
 5. PARTIAL REF DESIGNATIONS ARE SHOWN; FOR COMPLETE DESIGNATION, PREFIX WITH UNIT NO. OR SUB ASSEMBLY DESIGNATION OR BOTH.
 6. APPLY ASSY 61010900 & 15920 IN AREA SHOWN.
 7. BOND ITEM 10 TO ITEM 1 IN POSITION INDICATED USING ITEM 11. A MINIMUM BONDING AREA OF 2 SQ. IN. IS REQD.

Figure A-10
FOR LIST OF MATERIAL SEE L/M 61010900

DO NOT SCALE THIS PRINT		UNLESS OTHERWISE SPECIFIED		TITLE	
REMOVE ALL DIMENSIONS UNLESS SHOWN		ALL DIMENSIONS IN INCHES		HIGH VOLTAGE	
UNLESS OTHERWISE SPECIFIED		FRACTIONS		A1A3	
UNLESS OTHERWISE SPECIFIED		DECIMALS		61010900	
UNLESS OTHERWISE SPECIFIED		TOLERANCES		DATE	
UNLESS OTHERWISE SPECIFIED		HOLE POSITION		1959	
UNLESS OTHERWISE SPECIFIED		HOLE DIA		SCALE	
UNLESS OTHERWISE SPECIFIED		HOLE DIA		D	
UNLESS OTHERWISE SPECIFIED		HOLE DIA		61010900	

00262002

SHEET REVISION STATUS		REVISION RECORD			
REV	QD	DESCRIPTION	SHEET	DATE	BY
01		REVISED			
B	4463	ACCED ITEM 45	F	11/92	
C	5120	REV LCL EXP ECO	RE	1/94	



NOTE:
 1. SIZES & LENGTHS OF SCREWS, NUTS & WASHERS TO BE DETERMINED AT ASSEMBLY.
 2. PIVOT ITEM 11 TO PC BOARD, 11 PLACES.
 3. SLEEVE FOOT 2-3T SECONDARY LEADS FROM TRANSFORMER T2.
 4. SLEEVE THE 5T PRIMARY LEAD OF TRANSFORMER T2 WHICH IS FURTHEST FROM PC BOARD.
 5. APPLY 90029200 IN AREA SHOWN. MARK PER SPEC 10:21506, CHARACTER HEIGHT .12 (12PT) COLOR WHITE.
 6. R6, R7, R12, R13, R14, R19, Q1, Q2, Q3, & Q4 ARE NOT USED.
 7. REFERENCE DESIGNATIONS ARE FOR REF. ONLY AND DO NOT APPEAR ON PART.

Figure A-11

PL 90029200 DETACHED LIST	UNLESS OTHERWISE SPECIFIED DIMENSIONS ARE IN INCHES	DATE	BY	TITLE
	TOLERANCES	DATE	BY	CARD ASSEMBLY, 9ARD A1A3A1
DO NOT SCALE DRAWING	DESIGNED BY	DATE	BY	DRAWING NO
	CHECKED BY	DATE	BY	15920 D 90029200
	APPROVED	DATE	BY	SCALE
				SHEET 1 OF 1

82128800

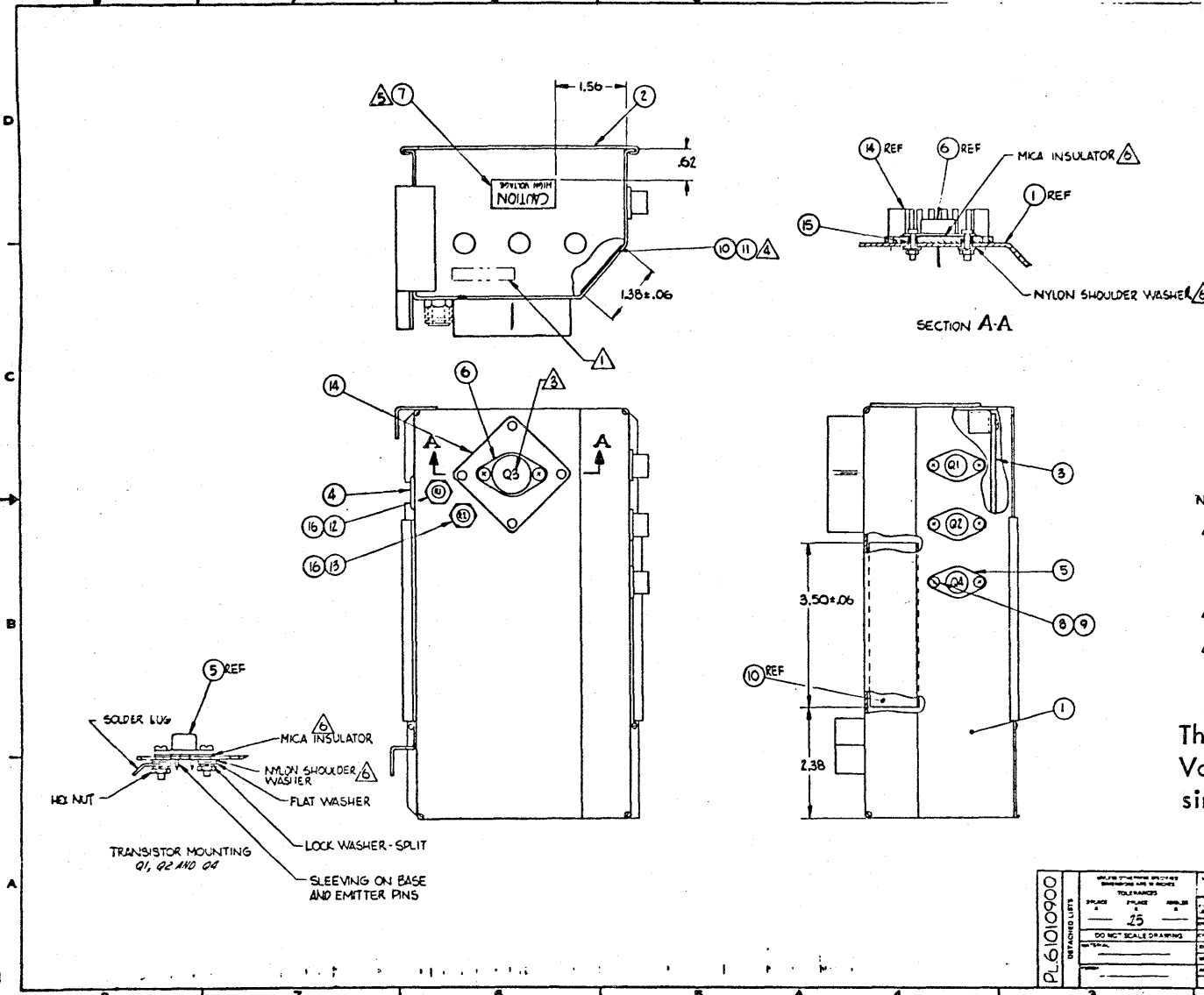
B-0-3

A-35

A-36

82128800

SHEET REVISION STATUS		REVISION RECORD					
REV.	NO.	DESCRIPTION	APP'D.	DATE	CHK'D.	APP'D.	
0	3912	REVISED & REDESIGNED		10/1/67			



- NOTES:
- ⚠ APPLY ASSY 600000, R11 SROWN AREA SHOWN, MARK PER SPEC 1015108, CHARACTER HEIGHT, .12 (12PT) COLOR BLACK.
 - Z -- UNLESS OTHERWISE SPECIFIED ALL HARDWARE IS TO MEET THE REQUIREMENTS OF THE APPLICABLE STANDARDS.
 - ⚠ REFERENCE DESIGNATIONS ARE SHOWN FOR REFERENCE ONLY AND MAY NOT APPEAR ON PART.
 - ⚠ ADHERE ITEM #10 TO ITEM #1 USING ITEM #11. A MINIMUM BONDING AREA OF 2 SQ. IN. IS REQ'D.
 - ⚠ ADHERE ITEM #7 TO ITEM #1.
 - ⚠ PART OF ITEM #5, 4 & 6.

This drawing represents High Voltage Assemblies with heat sink modification.

Figure A-11

PL 61010900 DRAWING LIST	PART NAME		DATE	
	HIGH VOLTAGE ASSEMBLY		15430	
	PART NO. 25		REV. 1	
	DO NOT SCALE DRAWING			
DRAWING NO. 61010900			SHEET 1 OF 1	

82128800

B-0-3

A-37

ITEM NO.	REF DES	PART NUMBER	DESCRIPTION	QTY	ITEM NO.	REF DES	PART NUMBER	DESCRIPTION	QTY
3	A1	90029200	CARD ASSEMBLY 9ARD	1	22	A1R15	17705946	RES.,FIXED,COMP; 2.7 mego 5% 1/4W	1
	A1A2	61000245	HARNES ASSEMBLY #2	1	23	A1R16	51625000	RES.,VAR; Comp lin 1 mego 20% 2W	1
	A1A2-R13	51005997	RES.,FIXED,COMP; 2.2 ohms 5% 1/2W	2	24	A1R17		SAME AS A1A2R19	1
	A1A2-R14	51500273	RES,FIXED,FILM; 100 mego 5% 2W	1	25	A1R18	24504815	RESISTOR,FXD,COMP; 10 ohms 5% 2W	1
4	A1A2-R19	17705920	RESISTOR,FIXED,COMP; 220K 5% 1/4W	2	26	A1R20	17705933	RESISTOR,FIXED,COMP; 750K 5% 1/4W	1
	A1A3	61000246	HARNES ASSEMBLY #3		36	A1T1	51007211	XMFR,SAT.FEEDBACK,TOROID; 3 winding	1
	A1A3-R12		SAME AS A1A2R13		37	A1T2	51007281	XMFR,PWR,STEP-ON,STEP-UP; Flyback	1
	A1C1	51000953	CAP.,FXD,ELECT.; 15 uf 20vdcw	4	38	A1V1	51005959	ELECTRON TUBE; Half-Wave rect 9 pin	2
27	A1C2		SAME AS A1C1		A1V2		SAME AS A1V1		
	A1C3	51547400	CAP.,FXD,PLASTIC; 2 uf 200vdcw	1	Q1	51003115	TRANSISTOR; NPN Si mtg case, h pwr	3	
28	A1C4		SAME AS A1C1		Q2		SAME AS Q1		
	A1C5	51001180	CAP.,FXD,CER; 500 uuf 20000vdcw	2	Q3	51003117	TRANSISTOR: NPN Si T03 case, h pwr	1	
29	A1C6	51001184	CAP.,FXD,PAPER;.22 uf 600vdcw	1	Q4		SAME AS Q1		
	A1C7		SAME AS A1C5		R1	51718301	RESISTOR,FXD,WW; 360 ohm 3% 10W	1	
31	A1C8		SAME AS A1C1		R2	51718300	RESISTOR,FXD,WW; 300 ohm 3% 10W	1	
	A1CR1	51001239	SEMICONDUCTOR DEVICE, DIODE: 75v Si	2					
32	A1CR2		SAME AS A1CR1						
	A1CR3	51001278	SEMICONDUCTOR DEVICE,D10; 200V Si	2					
33	A1CR4	51001228	SEMICOND.DEVICE,DIODE; Zener 2.6V	1					
	A1CR5		SAME AS A1CR3						
34	A1CR6	51505001	SEMICONDUCTOR DEVICE,DIODE; 2KV Si	1					
35	A1Q5	51003107	TSTR;PNP Si T-18 case, low pwr sw	2					
	A1Q6		SAME AS A1Q5						
15	A1R1	51001429	RES.,VAR; Comp 100 uhms 10% 2W	1					
16	A1R2	51001375	RES.,VAR; Lin taper ww 10 ohms 5W	1					
17	A1R3	24500115	RES.,FIXED,COMP; 10 ohms 5% 1/2W	1					
18	A1R4	24504843	RESISTOR,FXD,COMP; 150 ohms 5% 2W	1					
19	A1R5	51005998	RESISTOR,FXD,WW; 22 ohms 5% 10W	1					
20	A1R8	24500062	RES.,FIXED,COMP; 910 ohms 5% 1/4W	3					
	Thru A1R10								
21	A1R11	51001424	RESISTOR,VAR; Minat ww 1K 4% 1.5W	1					

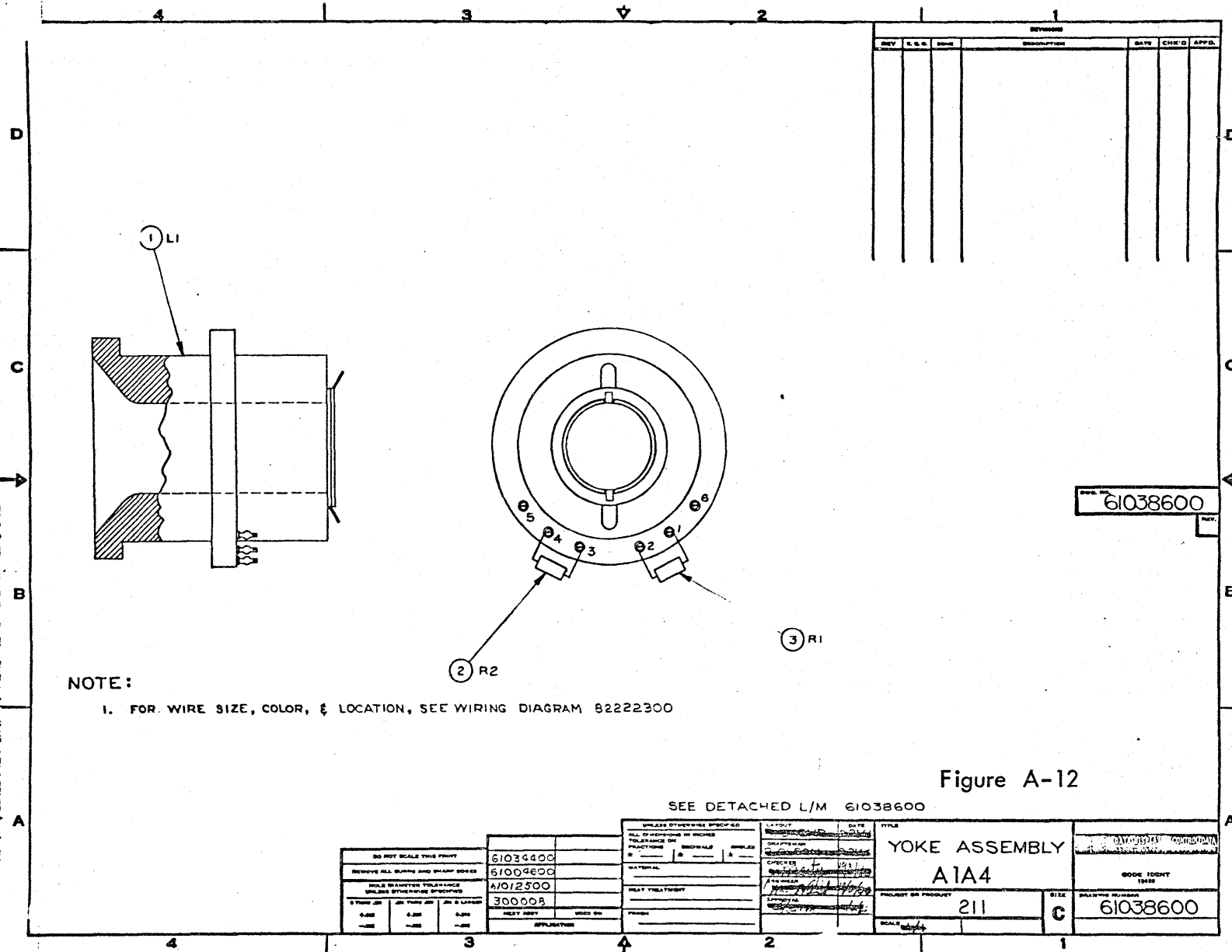
PART NO. 61010900

REVISION D

TITLE HIGH VOLTAGE
A1A3This parts list documents High Voltage Assemblies with
heat sink modification.

A-38

82128800



NOTE:

1. FOR WIRE SIZE, COLOR, & LOCATION, SEE WIRING DIAGRAM 8222300

REVISIONS					
REV	S.N.	DATE	DESCRIPTION	DATE	CHK'D APP'D.

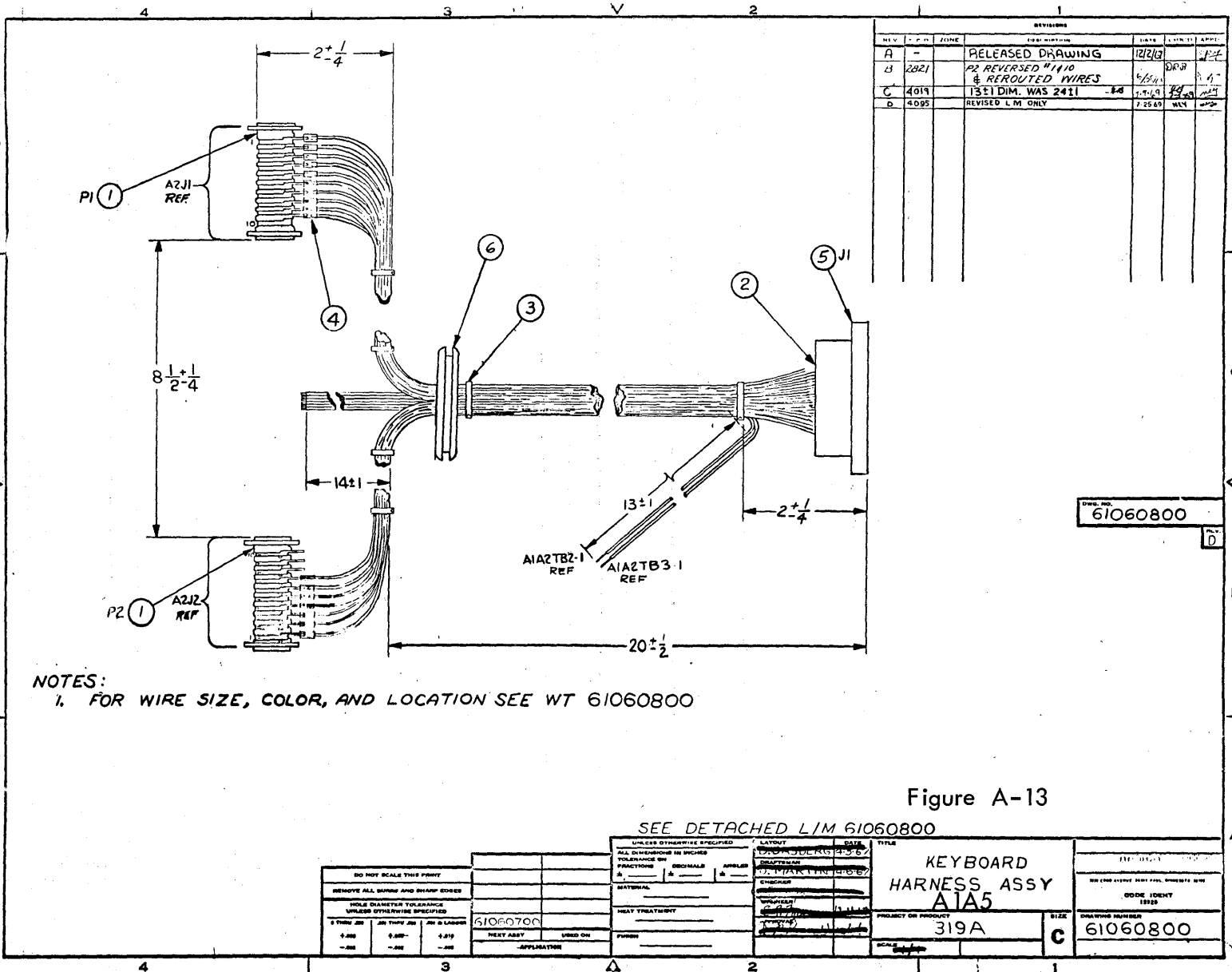
FIG. NO. 61038600

Figure A-12

SEE DETACHED L/M 61038600

DO NOT SCALE THIS PRINT REMOVE ALL BUMPS AND SHARP EDGES HOLD DIMENSIONS TO TOLERANCE UNLESS OTHERWISE SPECIFIED 1/16" MIN. ON THIS JOB 1/8" ON LARGER			61034400 61004600 61012500 3000008	UNLESS OTHERWISE SPECIFIED ALL DIMENSIONS IN INCHES TOLERANCE ON FRACTIONS DECIMALS INCHES UNLESS OTHERWISE SPECIFIED MATERIAL PLAT TREATMENT FINISH	CHECKED DATE APPROVED DATE PROJECT OR PRODUCT SCALE	TITLE YOKE ASSEMBLY A1A4 PROJECT OR PRODUCT 211 SIZE C DRAWING NUMBER 61038600	CODE IDENT 1688
---	--	--	---	--	--	---	--------------------

A-40



NOTES:
 1. FOR WIRE SIZE, COLOR, AND LOCATION SEE WT 61060800

61060800

Figure A-13

SEE DETACHED LIM 61060800

DO NOT SCALE THIS PRINT			UNLESS OTHERWISE SPECIFIED			TOLERANCE ON FRACTIONS			TOLERANCE ON DECIMALS			TOLERANCE ON ANGLES			TOLERANCE ON HOLE DIA			TOLERANCE ON HOLE LENGTH		
REMOVE ALL BURRS AND SHARP EDGES			MATERIAL			HEAT TREATMENT			FINISH			PROJECT OR PRODUCT			DRAWING NUMBER					
HOLE DIAMETER TOLERANCE UNLESS OTHERWISE SPECIFIED			61060700			319A			C			61060800			DRAWING NUMBER					
HOLE DIA			HOLE LENGTH			HOLE DIA			HOLE LENGTH			HOLE DIA			HOLE LENGTH					
+0.00			-0.00			+0.01			-0.00			+0.00			-0.00					
-0.00			-0.00			-0.00			-0.00			-0.00			-0.00					

82128800

82128800

ITEM NO.	REF DES	PART NUMBER	DESCRIPTION	QTY	ITEM NO.	REF DES	PART NUMBER	DESCRIPTION	QTY
5	J1	51002448	INSERT,ELEC CONN; 50 pos "M" block	1					
1	P1 P2	51007120	CONN,PLUG,ELEC; 10 pin edge type SAME AS P1	2					

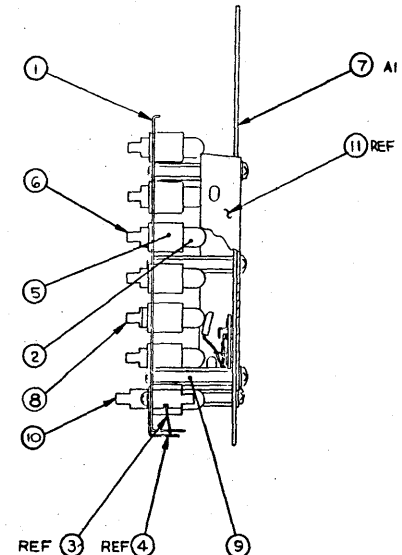
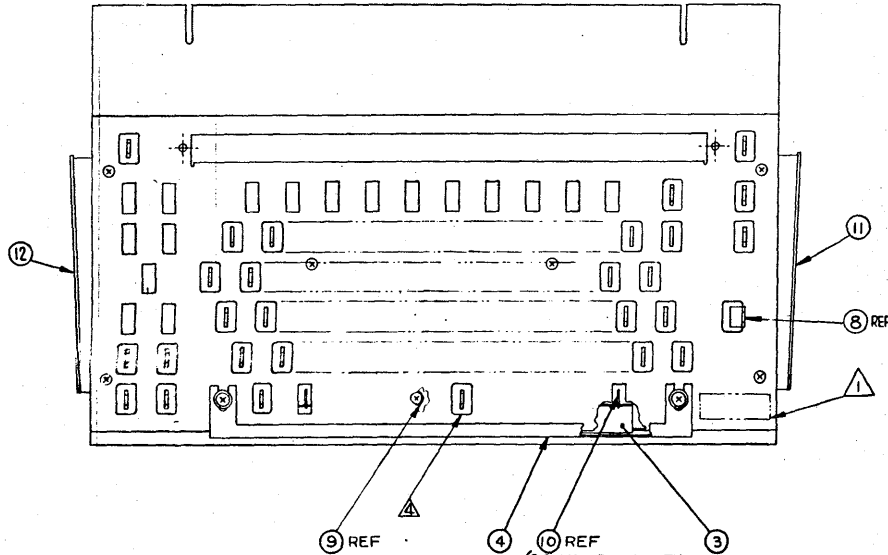
61060800/D

KEYBOARD HARNESS
A1A5

A-41

A-42

REV	DATE	DESCRIPTION	BY	CHKD BY
A	-	ADDED ITEMS 11 & 12 RELEASED DRAWING	WHL	ST
B	2737	CHANGED ITEM 3 PICTORIALLY	JUL	WHL
C	2771	ADDED NOTE # 4	WHL	WHL



NOTES

- 1. APPLY 'ASSY 61060900' # '15920' IN AREA SHOWN.
- 2. UNLESS OTHERWISE SPECIFIED, ALL HARDWARE IS TO MEET THE REQUIREMENTS OF THE APPLICABLE STANDARDS.
- 3. PARTIAL REF DESIGNATIONS ARE SHOWN; FOR COMPLETE DESIGNATION, PREFIX WITH UNIT NO. OR SUBASSEMBLY DESIGNATION OR BOTH.
- 4. ADJUST SPACE BAR SWITCH TO PROVIDE .030 MIN OVER TRAVEL OF PLUNGER PAST SWITCH ACTIVATION POINT.

Figure A-14
SEE DETACHED L/M 61060900

82128800

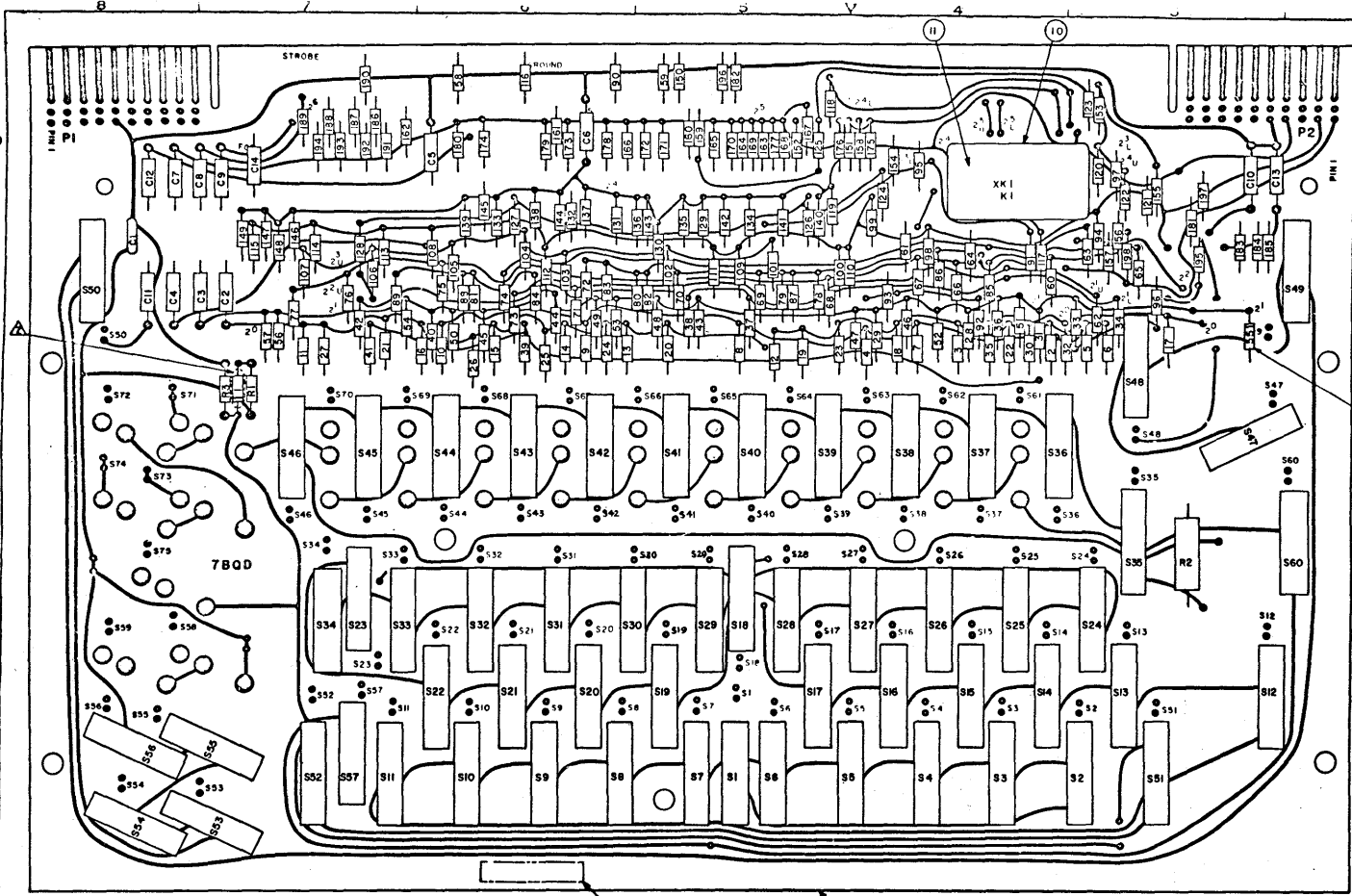
DO NOT SCALE THIS DRAWING		KEYBOARD	
UNLESS OTHERWISE SPECIFIED, ALL DIMENSIONS ARE IN INCHES		A-2	
UNLESS OTHERWISE SPECIFIED, ALL DIMENSIONS ARE IN INCHES		319A	
UNLESS OTHERWISE SPECIFIED, ALL DIMENSIONS ARE IN INCHES		D	
UNLESS OTHERWISE SPECIFIED, ALL DIMENSIONS ARE IN INCHES		61060900	

82128800

ITEM NO.	REF DES	PART NUMBER	DESCRIPTION	QTY	ITEM NO.	REF DES	PART NUMBER	DESCRIPTION	QTY
2		71058800	CAP, PLUNGER BAR	58					
4		71059400	SPACER RETAINER	1					
5		71059000	RETAINER, PLUNGER BAR	58					
6		71059200	PLUNGER BAR	56					
8		71113200	PLUNGER BAR, RETURN	1					
9		51507103	NUT, SLEEVE; $\frac{1}{4}$ hex 6-32 x 1- $\frac{1}{2}$	7					
10		71105700	BAR, PLUNGER	3					
									61060900/C
									KEYBOARD A2

A-43

A-44



REV	DATE	DESCRIPTION	BY	CHK'D	APPROV'D
A	2599	ADDED ITEM II, KI	J.M.	M.K.	
B	2738	REMOVED + SIGN FROM C2-C4	J.M.	M.K.	

- NOTES:
- 1. FOR SCHEMATIC DIAGRAM SEE 90004344
 - 2. FOR LIST OF MATERIALS SEE L/M 90004346
 - 3. UNLESS OTHERWISE SPECIFIED, NUMBERS 1 THRU 199 ARE TO BE PREFIXED WITH DIODE REF DESIGNATION CR.
 - 4. ALL DIODES ARE POLARIZED IN THE DIRECTION SHOWN UNLESS OTHERWISE SPECIFIED.
 - 5. REFERENCE DESIGNATIONS ARE FOR REF ONLY AND DO NOT APPEAR ON PART.
 - 6. APPLY "ASSY 90004346" 1/8 HIGH IN AREA SHOWN.
 - 7. CRI TO BE POLARIZED IN DIRECTION SHOWN.

Figure A-15

821 28800

PART NUMBER: 90004346 TITLE: CARD ASSEMBLY, 7B0D		REV: A2A1 DATE: 14/6/72	
DRAWN BY: J.M. CHECKED BY: M.K.		APPROVED BY: J.M. DATE: 14/6/72	
MATERIAL:		PARTS LIST:	
QUANTITY:		UNIT PRICE:	
TOTAL PRICE:		TOTAL COST:	

90004346

82128800

ITEM NO.	REF DES	PART NUMBER	DESCRIPTION	QTY	ITEM NO.	REF DES	PART NUMBER	DESCRIPTION	QTY
2	C1	51000989	CAP.,FXD,CERAMIC; .1 uf 25vdcw	1					
3	C2	51001173	CAP.,FXD,PLASTIC; .0015uf 200vdcw	13					
	Thru C14								
4	CR1	51598400	SEMICONDUCTOR DEVICE,DIODE; 25V Ge	197					
	Thru CR197								
5	CR198	51001239	SEMICONDUCTOR DEVICE,D10; 75V, Si	1					
11	K1	51627900	RELAY,ARMATURE; 6 PDT @ 2A	1					
6	R1	51000247	RES.,FIXED,COMP; 220 ohms 5% 1/4W	1					
7	R2	51629100	RES.,FIXED,COMP; 22 ohms 10% 2W	1					
8	R3	51000242	RES.,FIXED,COMP; 68 ohms 5% 1/4W	1					
9	S1	51007248	SW.PUSH; Spdt keyboard snap action	58					
	Thru S57 S60								
10	XK1	51628000	SAME AS S1 SOCKET,RELAY; Rect, 22 contacts	1					

90004346/B

CARD 7BQD
A2A1

A-45

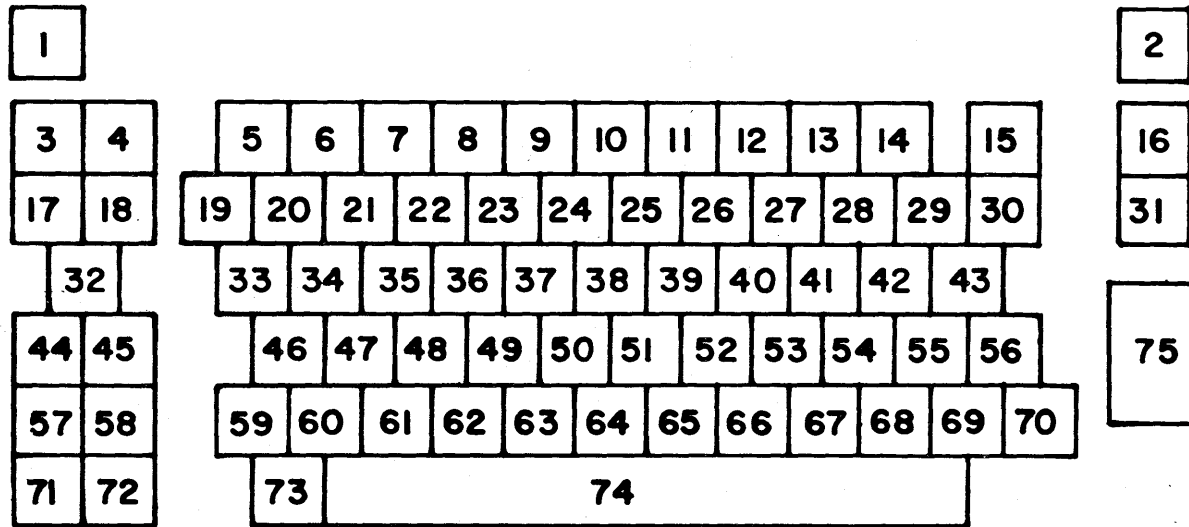


Figure A-16
Keybutton Set

82128800

A-47

ITEM NO.	REF DES	PART NUMBER	DESCRIPTION	QTY	ITEM NO.	REF DES	PART NUMBER	DESCRIPTION	QTY
1		51501430	KEYTOP, TW;Wht/gray CLEAR		57		51501733	KEYTOP, TW;Wht/gray RESET	
2		51501435	KEYTOP, TW;Wht/gray SEND		58		51501734	KEYTOP, TW;Wht/gray up.LINE lwr SKIP	
15		51501482	KEYTOP, TW;Wht/gray INTER		59		51501719	KEYTOP, TW;Wht/gray SHIFT	
16		51501483	KEYTOP, TW;Wht/gray up.AUX lwr SEND		60		51501702	KEYTOP, TW;Wht/gray up. blk lwr Z	
19		51501476	KEYTOP, TW;Wht/gray up. ≤ lwr 1		61		51501703	KEYTOP, TW;Wht/gray up. blk lwr X	
20		51501477	KEYTOP, TW;Wht/gray up. ≥ lwr 2		62		51501705	KEYTOP, TW;Wht/gray up. blk lwr C	
21		51501478	KEYTOP, TW;Wht/gray up. ≡ lwr 3		63		51501706	KEYTOP, TW;Wht/gray up. blk lwr V	
22		51501470	KEYTOP, TW;Wht/gray up. \$ lwr 4		64		51501707	KEYTOP, TW;Wht/gray up. blk lwr B	
23		51501471	KEYTOP, TW;Wht/gray up. % lwr 5		65		51501708	KEYTOP, TW;Wht/gray up. blk lwr N	
24		51501479	KEYTOP, TW;Wht/gray up. * lwr 6		66		51501709	KEYTOP, TW;Wht/gray up. blk lwr M	
25		51501480	KEYTOP, TW;Wht/gray up. ≠ lwr 7		67		51501729	KEYTOP, TW;Wht/gray up. < lwr ,	
26		51501464	KEYTOP, TW;Wht/gray up. (lwr 8		68		51501730	KEYTOP, TW;Wht/gray up. > lwr .	
27		51501465	KEYTOP, TW;Wht/gray up.) lwr 9		69		51501732	KEYTOP, TW;Wht/gray up. ↵ lwr /	
28		51501481	KEYTOP, TW;Wht/gray up. ; lwr ∅		70		51501719	KEYTOP, TW;Wht/gray SHIFT	
29		51501484	KEYTOP, TW;Wht/gray up. - lwr :		71		51501735	KEYTOP, TW;Wht/gray BKSP	
30		51501437	KEYTOP, TW;Wht/gray up. + lwr =		72		51501736	KEYTOP, TW;Wht/gray SKIP	
31		51501485	KEYTOP, TW;Wht/gray up.SEND lwr INDEX		73		51501737	KEYTOP, TW;Wht/gray REPT	
33		51501502	KEYTOP, TW;Wht/gray up. blk lwr Q		74		51003525	BAR, SPACE, TYPEWRITER; Gray	
34		51501504	KEYTOP, TW;Wht/gray up. blk lwr W		75		51003561	KEYTOP, TW;Wht/gray RETURN	
35		51501505	KEYTOP, TW;Wht/gray up. blk lwr E						
36		51501506	KEYTOP, TW;Wht/gray up. blk lwr R						
37		51501508	KEYTOP, TW;Wht/gray up. blk lwr T						
38		51501509	KEYTOP, TW;Wht/gray up. blk lwr Y						
39		51501511	KEYTOP, TW;Wht/gray up. blk lwr U						
40		51501512	KEYTOP, TW;Wht/gray up. blk lwr I						
41		51501514	KEYTOP, TW;Wht/gray up. blk lwr O						
42		51501515	KEYTOP, TW;Wht/gray up. blk lwr P						
43		51501553	KEYTOP, TW;Wht/gray up. ^ lwr V						
46		51501602	KEYTOP, TW;Wht/gray up. blk lwr A						
47		51501603	KEYTOP, TW;Wht/gray up. blk lwr S						
48		51501604	KEYTOP, TW;Wht/gray up. blk lwr D						
49		51501605	KEYTOP, TW;Wht/gray up. blk lwr F						
50		51501606	KEYTOP, TW;Wht/gray up. blk lwr G						
51		51501609	KEYTOP, TW;Wht/gray up. blk lwr H						
52		51501610	KEYTOP, TW;Wht/gray up. blk lwr J						
53		51501611	KEYTOP, TW;Wht/gray up. blk lwr K						
54		51501612	KEYTOP, TW;Wht/gray up. blk lwr L						
55		51501641	KEYTOP, TW;Wht/gray up. [lwr ↓						
56		51501642	KEYTOP, TW;Wht/gray up.] lwr ↑						

71123500/E

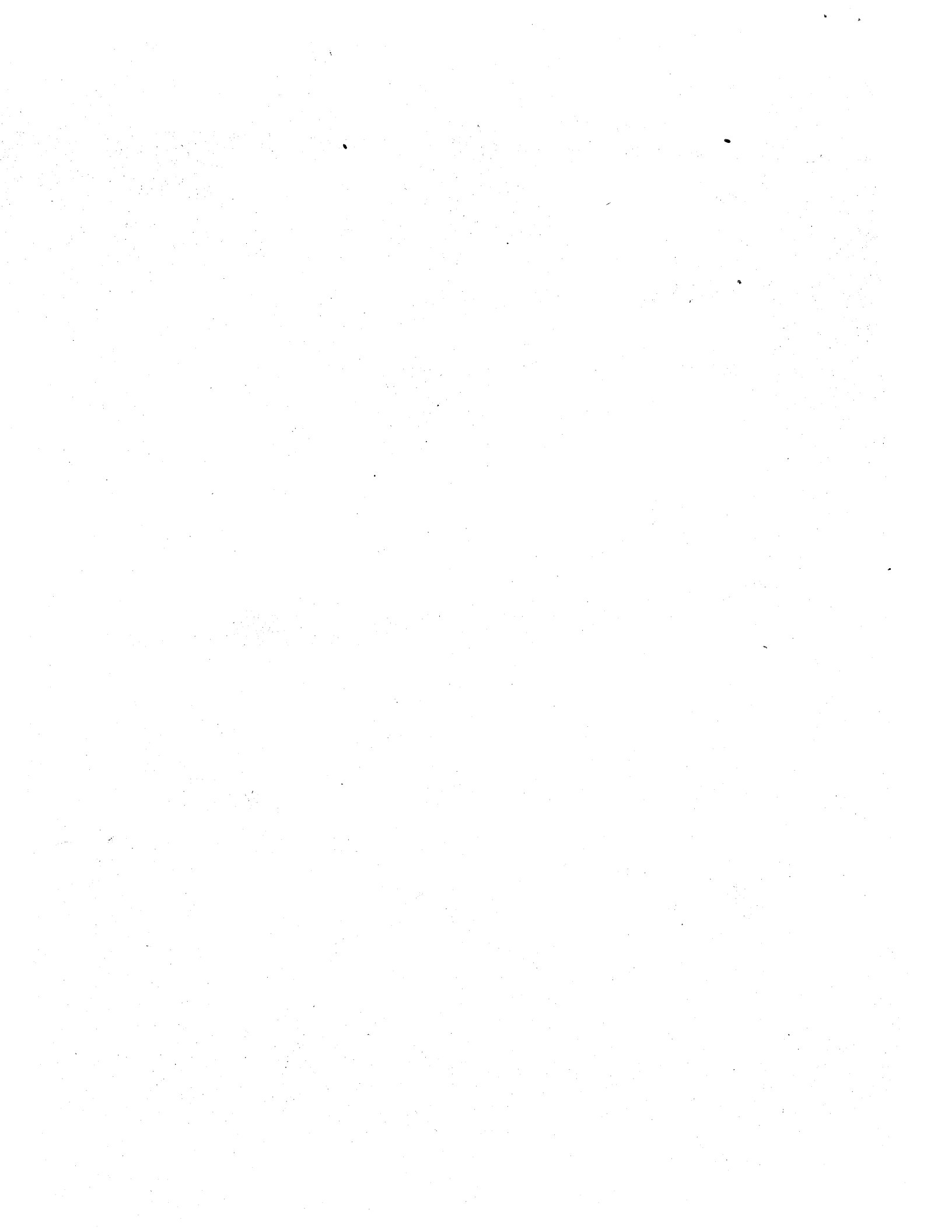
KEYBUTTON SET

82128800

B-0-3

A-49

ITEM NO.	REF DES	PART NUMBER	DESCRIPTION	QTY	ITEM NO.	REF DES	PART NUMBER	DESCRIPTION	QTY
2	P1	51002448	INSERT, ELEC CONN; 42 pos. M male	1					
1	P2	51002449	INSERT, ELEC CONN; 42 pos.M female	1					
3		51002119	GUIDE PIN;Corner-series M cd plbrs	4					
4		51002120	GUIDE SOCKET;Corner-seriesM cd pl	4					
5		51523700	SHELL,ELEC CONN; 2-pc shield 180°	1					
6		51002458	CLAMP,CABLE,ELEC CONN; Strain relf	1					
7		51002454	CLIP SET,SPG TENSION; lkg spring	2					
9		51002453	CONTACT ELEC;Coaxicon conn soc	4					
10		51002452	CONTACT ELEC;Coaxicon conn pin	4					
11		51002198	RING,RETAINING;Spr act ext tooth	8					
12		51002433	FERRULE,RF CABLE GROUNDING; orange	8					
13		51002451	CONTACT ELEC;Pin,crimp 22-20 ga	36					
14		51002450	CONTACT ELEC;Soc,crimp 22-20 ga	36					
15		51007131	CABLE,SPL PURPOSE; 4 coax & 21 pr.	AR					
16		51003445	INS SLV,ELEC;Clr .650-.500" id	2					
19		43-531	Label, 1/2x1", Press Sensitive Adhesive; white.						
									82195695/4
									DISPLAY STATION CABLE



CONFIGURATION INFORMATION

This manual reflects the equipment configurations listed below.

EXPLANATION: Locate the equipment type and series number, as shown on the equipment FCO log, in the list below. Immediately to the right of the series number is an FCO number. If that FCO number and all of the FCO numbers underneath it match all of the FCO numbers on the equipment FCO log, then this manual accurately reflects the equipment.

Equipment Type	Series	With FCO's	Equipment Type	Series	With FCO's
CC505-A	01	4128 (ECO only)	CC505-B	01	4128 (ECO only)
CC505-A	02		CC505-B	02	





>>> CUT OUT FOR USE AS LOOSE-LEAF BINDER TITLE TAB

CONTROL DATA
CORPORATION

8100 34th AVE. SO., MINNEAPOLIS, MINN. 55440

LITHO IN U.S.A.