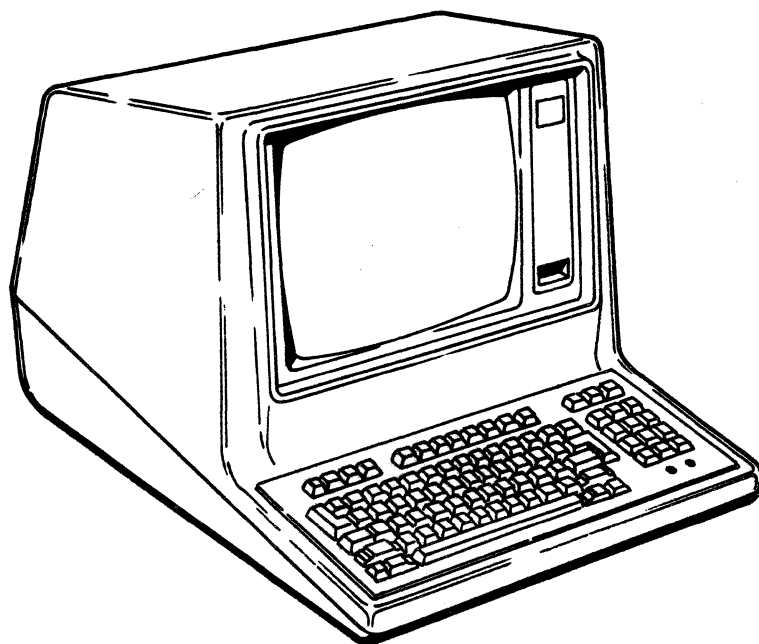


**GD CONTROL DATA**

---

**CDC<sup>®</sup> 722-10 DISPLAY TERMINAL  
CC628-A/B**



---

**HARDWARE MAINTENANCE MANUAL  
(SUPPORT INFORMATION)**



## REVISION RECORD

REVISION	DESCRIPTION
01 (06-01-80)	Preliminary release.
A (11-15-80)	Final release; incorporates ECOS 14029, 14037, 14082, 14092, 14104, 14105, 14147, 14179, 14241, 14257, 14262, 14270, and 14294.
B (02-21-81)	Manual revised to incorporate ECOS 14255, 14353, 14365, 14385, 14401, 14431, 14461, 14503, 14530, 14531, and 14557.
C (05-28-81)	Manual revised to incorporate ECOS 14608, 14634, 14641, and 14675.
D (06-25-81)	Manual revised to incorporate ECOS 14640, 14748, 14753, 14761 and 14809.
E (06-22-82)	Manual revised to incorporate ECOS 14870, 14880, 14941, 14958, 14976, 15027, 15045, and technical changes and corrections.
F (10-21-82)	Manual revised to incorporate ECOS 15269, 15283, 15437, and 15472.
G (05-18-83)	Manual revised to incorporate ECOS 15582, 15604, 15658 and 15833.
H (11-18-83)	Manual revised to incorporate ECOS 16021, 16025, 16100, 16104, 16330 and 16354.
J (06-18-84)	Manual revised to incorporate ECOS 16659 and 16708. Adds vendor schematic and printed wiring board for video display.
K (03-20-85)	Manual revised to incorporate ECOS 16933 and 17030. Corrects Source/Cross Reference List and updates Genealogy Chart.
L (05-13-85)	Manual revised to incorporate ECO 17088.
M (07-12-85)	Manual revised to incorporate ECO 17149.
N (10-15-85)	Manual revised to incorporate ECO 17185.
P (10-27-86)	Manual revised to incorporate ECO 17797.
Publication No. 62940004	

REVISION LETTERS I, O, Q, S, X AND Z ARE NOT USED.

Address comments concerning  
this manual to:

Control Data Corporation  
Technology and Publications Division  
4201 North Lexington Avenue  
St. Paul, Minnesota 55126-6198

or use Comment Sheet in  
the back of this manual.

©1980, 1981, 1982, 1983, 1984, 1985, 1986  
by Control Data Corporation  
All rights reserved  
Printed in the United States of America



MANUAL TO EQUIPMENT LEVEL CORRELATION SHEET

This manual reflects the equipment configurations listed below.

EXPLANATION: Locate the equipment type and series number, as shown on the equipment FCO log, in the list below. Immediately to the right of the series number is an FCO number. If that number and all of the numbers underneath it match all of the numbers on the equipment FCO log, then this manual accurately reflects the equipment.

EQUIPMENT TYPE	SERIES	WITH FCO'S	COMMENTS
CC628-A	01	-----	ECO 14294
	01	14353	
	02	-----	ECO 14401
	03	14461	
	04	14503	
	05	14530	Series codes 02, 03, and 04 (ECOs 14353, 14401, and 14461) have been upgraded to series code 05 via rework instructions found in ECO 14530.
	06	-	ECO 14640 only
	07	14753	ECO 14753
	07	-	ECO 14761
	08		
09	17088	ECO 17088	
CC628-B	01	-----	ECO 15027
	02	17088	ECO 17088



## LIST OF EFFECTIVE PAGES

New features, as well as changes, deletions, and additions to information in this manual, are indicated by bars in the margins or by a dot near the page number if the entire page is affected. A bar by the page number indicates pagination rather than content has changed.

PAGE	REV	PAGE	REV	PAGE	REV	PAGE	REV	PAGE	REV
Front Cover	-	2-6	M	2-26.1	K				
Title Page	-	2-7	M	2-26.2	K				
iii	P	2-8	M	2-26.3	K				
iv	P	2-8.1	M	2-26.4	K				
vii/viii	P	2-8.2	M	2-27	G				
ix/x	C	2-8.3	M	2-28	B				
xi	L	2-8.4	M	2-29	B				
xii	K	2-8.5	M	2-30	A				
1-1	A	2-8.6	M	2-31	A				
1-2	B	2-8.7	M	2-32	A				
1-3	A	2-8.8	M	2-33	A				
1-4	B	2-9	J	2-34	B				
1-5	A	2-10	J	2-35	B				
1-6	A	2-11	J	2-36	B				
1-7	A	2-12	J	2-37	B				
1-8	A	2-13	J	2-38	C				
1-9	A	2-14	J	2-38.1	C				
1-10	B	2-15	J	2-38.2	C				
1-11	A	2-16	J	2-38.3	C				
1-12	A	2-17	J	2-38.4	N				
1-13	A	2-18	J	2-38.5	N				
1-14	A	2-19	J	2-38.6	N				
1-15	A	2-20	J	2-38.7	N				
1-16	A	2-20.1	J	2-38.8	E				
1-17	A	2-20.2	K	2-38.9	J				
1-18	E	2-20.3	K	2-39.10	J				
1-19	A	2-20.4	K	2-39	J				
1-20	A	2-20.5	K	2-40	A				
1-21	E	2-20.6	K	2-41	A				
1-22	A	2-20.7	K	2-42	A				
1-23	A	2-20.8	K	2-43	A				
1-24	A	2-20.9	K	2-44	A				
1-25	A	2-20.10	K	2-45	A				
1-26	A	2-20.11	K	2-46	A				
1-27	A	2.20.12	K	2-47	A				
1-28	A	2.20.13	K	2-48	D				
1-29	A	2.20.14	K	2-48.1	D				
1-30	E	2-21	F	2-48.2	G				
1-30.1	J	2-22	P	2-49	G				
1-31	J	2-22.1	P	2-50	A				
1-32	A	2.22.2	P	2-51	A				
1-33	A	2.22.3	L	2-52	A				
1-34	A	2.22.4	L	2-53	A				
1-35	A	2.22.5	L	2-54	A				
1-36	A	2.22.6	L	2-55	A				
1-37	J	2.22.7	L	2-56	A				
2-1	L	2.22.8	L	2-57	A				
2-2	L	2.22.9	L	2-58	A				
2-2.1	L	2.22.10	L	2-59	A				
2-2.2	M	2.22.11	L	2-60	A				
2-2.3	M	2.22.12	L	2-61	A				
2-2.4	M	2.22.13	L	2-62	A				
2-2.5	M	2.22.14	L	2-63	A				
2-2.6	M	2.23	L	Comment					
2-2.7	M	2-24	G	Sheet	P				
2-2.8	M	2-24.1	G	Mailer	-				
2-3	M	2-24.2	G	Back Cover	-				
2-4	M	2-25	G						
2-5	M	2-26	K						





## PREFACE

---

The CDC® 722-10 Display Terminal Hardware Maintenance Manual (Support Information) contains diagrams and parts data necessary to maintain the equipment.

Repair center personnel may require the Key to Logic Symbology for Terminal Equipment Manual, CDC Publication Number 82172400, which describes the operation of the individual logic chips used in the display terminal.

Publications to be used in conjunction with this manual are:

<u>Title</u>	<u>Publication Number</u>
722-10 Display Terminal Operators Guide/ Installation Instructions	62940002
722-10 Display Terminal Reference Manual	62940001
722-10 Display Terminal Hardware Maintenance Manual (Site Information)	62940003

Additional copies of this manual, the previously listed ones, or the logic symbology publication may be ordered from:

Control Data Corporation  
Literature & Distribution Services  
308 North Dale Street  
St. Paul, Minnesota 55103



# CONTENTS

## 1. DIAGRAMS

Interconnection Diagram (Viking TTY Display Terminal 50/60 Hz) . . . . .	1-2
Schematic Diagram 0AAD . . . . .	1-3
Schematic Diagram, 9BTD (90446157). . . . .	1-4
Power Supply +5 V, +12 V, -12 V, +15 V. . . . .	1-5
UART, TP Data Bus Drvr, RD Data Lch, Dot Ctr, Vid Cont. . . . .	1-6
Crt Controller, Processor . . . . .	1-7
Ext Prog Mem, Bkgd Mem Lch, Kybd Data Bus Drvr. . . . .	1-8
RAM Char Gen, ROM Char Gen, RAM Char Gen Data Lch (WR). . . . .	1-9
Kybd Rdy, TP Encdr & Rdy, Port Exp, WR & Ref Data Lchs. . . . .	1-10
RAM Char Gen Adrs Mux, ROM Char Gen Adrs Cvrnsn Video Serializer. . . . .	1-11
Read Control, Write Control, Refresh RAM Address Mux. . . . .	1-12
Bkgd Mem RAM & Bus Drvr, Vid Drvr, Ext Prog Mem Add Lch . . . . .	1-13
Refresh RAM . . . . .	1-14
Blink Counter, RAM & Video Control. . . . .	1-15
Printer & Modem Interface Receivers & Drivers, Alarm Ckt . . . . .	1-16
Current Loop Interface Transmitter & Receiver . . . . .	1-17
Schematic Diagram, 9BTD (90446255). . . . .	1-18
Power Supply +5 V, +12 V, -12 V, +15 V. . . . .	1-19
UART, TP Data Bus Drvr, RD Data Lch, Dot Ctr, Vid Cont. . . . .	1-20
Crt Controller, Processor . . . . .	1-21
Ext Prog Mem, Bkgd Mem Lch, Kybd Data Bus Drvr. . . . .	1-22
RAM Char Gen, ROM Char Gen, RAM Char Gen Data Lch (WR). . . . .	1-23
Kybd Rdy, TP Encdr & Rdy, Port Exp, WR & Ref Data Lchs. . . . .	1-24
RAM Char Gen Adrs Mux, ROM Char Gen Adrs Cvrnsn Video Serializer. . . . .	1-25
Read Control, Write Control, Refresh RAM Address Mux. . . . .	1-26
Bkgd Mem RAM & Bus Drvr, Vid Drvr, Ext Prog Mem Add Lch . . . . .	1-27
Refresh RAM . . . . .	1-28
Blink Counter, RAM & Video Control. . . . .	1-29
Printer & Modem Interface Receivers & Drivers, Alarm Ckt . . . . .	1-30
Logic Support Document Viking - TTY . . . . .	1-30.3
Current Loop Interface Transmitter & Receiver . . . . .	1-31
Schematic Diagram, 9BSD . . . . .	1-32
Schematic, Keyboard . . . . .	1-35
Schematic, CRT Module . . . . .	1-36
Schematic, DS12 Video Display . . . . .	1-37

## 2. PARTS DATA

Genealogy Chart Viking TTY Display Terminal 120/220/240 V . . . . .	2-2
Source/Cross Reference List Viking TTY . . . . .	2-2.2
Source/Cross Reference List Viking TTY Keyboard . . . . .	2-9
Viking Station TTY (15632119) . . . . .	2-24
Viking Station TTY (15633077) . . . . .	2-26

Base Assy-Viking TTY . . . . .	2-26.3/ 2-26.4
Transformer Assembly . . . . .	2-28
P.C. Card Assembly, 9BTD . . . . .	2-34
P.C. Card Assembly, 9BTD (Switch Panel Card) . . . . .	2-38.4
P.C. Card Assembly, 9BSD (Switch Panel Card) . . . . .	2-38.8
P.C. Card (Part Number 204-710-04) Component Side Legend . . . . .	2-38.10
P.C. Card (Part Number 204-853-09) Component Side Legend . . . . .	2-39
Bezel/Door Assy . . . . .	2-40
Base Plate/RFI Finger Assy . . . . .	2-42
Line Filter Assy . . . . .	2-44
P.C. Card Assembly, 0AAD (I/O Conn./Test Switch) . . . . .	2-46
CBL Assy Crt/Brightness . . . . .	2-48
Ground Wire Assy . . . . .	2-50
Wire Assy, CB/PWR Sw . . . . .	2-54
Wire Assy, Pwr Recp/Gnd . . . . .	2-56
Cable Assy Kybd . . . . .	2-58
Cable Assy, I/O Entry . . . . .	2-60
Cable Assy Sw Pnl (TTY) . . . . .	2-62

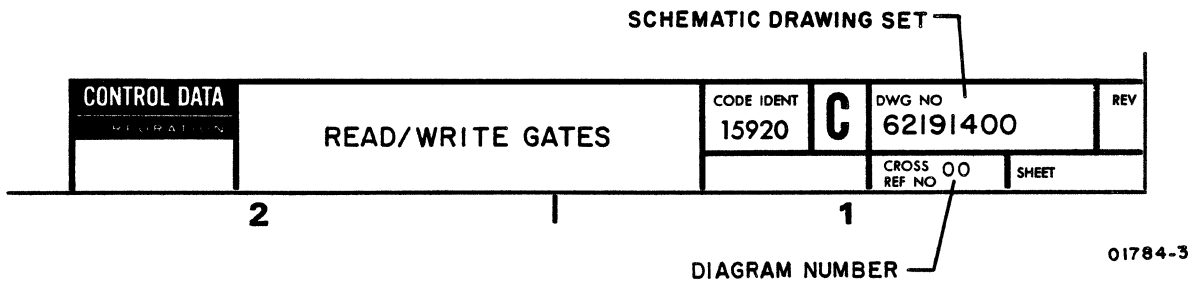
TABLES

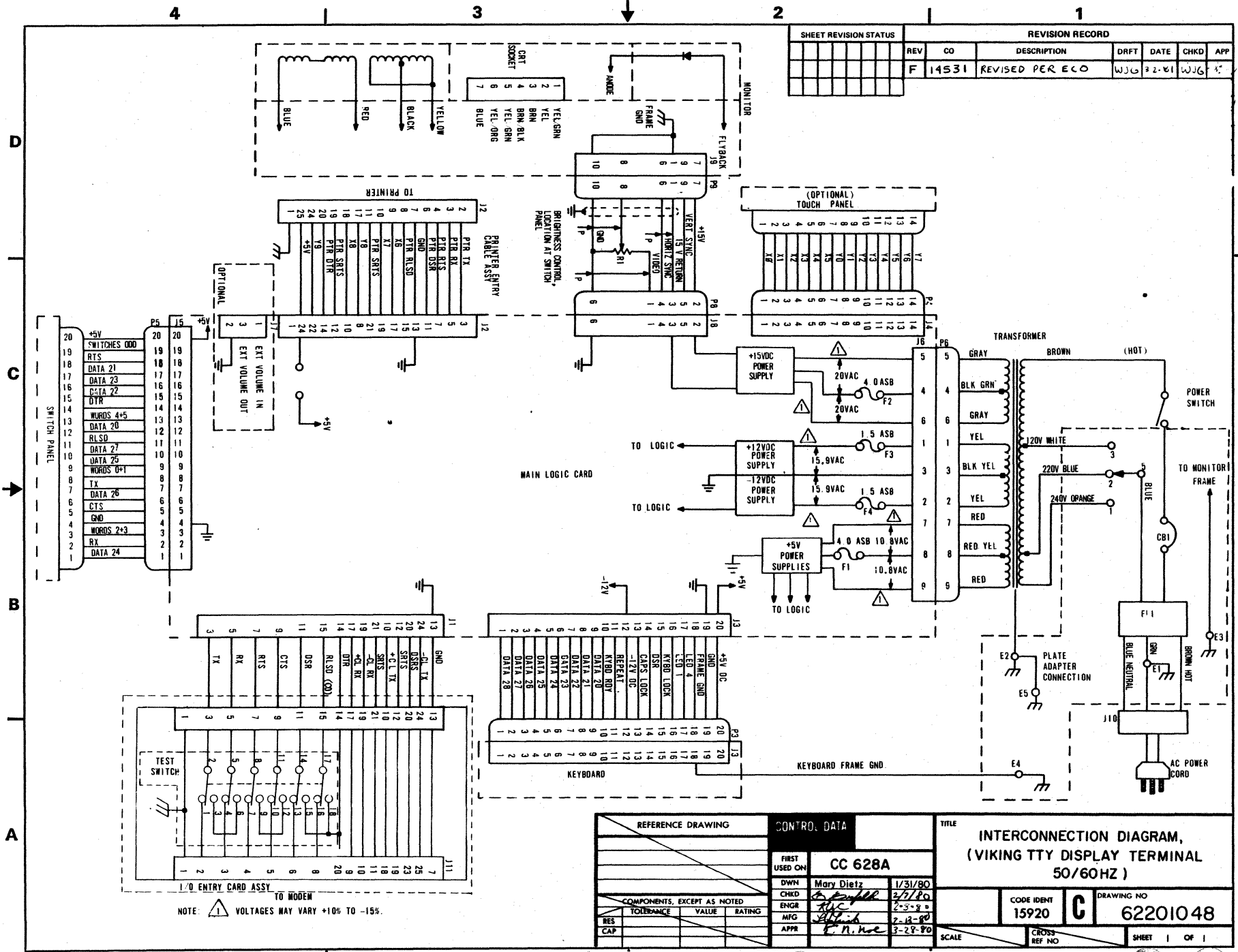
2. PARTS DATA

2-1	Explanation of Column Headings of Computer- Generated Assembly Parts Lists . . . . .	2-1
-----	---	-----

This section contains the interconnection diagram and schematic diagrams for the display terminal. Information on the operation of the individual logic chips may be found in the Key to Logic Symbology for Terminal Equipment Manual (refer to the preface for ordering information).

The title block of each schematic diagram for the logic/power supply printed-circuit board contains the following information.





SHEET REVISION STATUS				REVISION RECORD			
REV	CO	DESCRIPTION	DRFT	DATE	CHKD	APP	
F	14531	REVISED PER ECO	WJG	3-2-80	WJG		

REFERENCE DRAWING	CTRL. DATA		TITLE	
FIRST USED ON	CC 628A		INTERCONNECTION DIAGRAM, (VIKING TTY DISPLAY TERMINAL 50/60HZ)	
DWN	Mary Dietz	1/31/80	CODE IDENT <b>15920</b> CROSS REF NO <b>C</b>	
ENGR	<i>[Signature]</i>	2/7/80		
MFG	<i>[Signature]</i>	2-5-80		
APPR	<i>[Signature]</i>	3-29-80		
COMPONENTS, EXCEPT AS NOTED	TOLERANCE	VALUE	RATING	DRIVING NO <b>62201048</b>
RES				SHEET 1 OF 1
CAP				

NOTE:  $\Delta$  VOLTAGES MAY VARY +10% TO -15%.

4

3

2

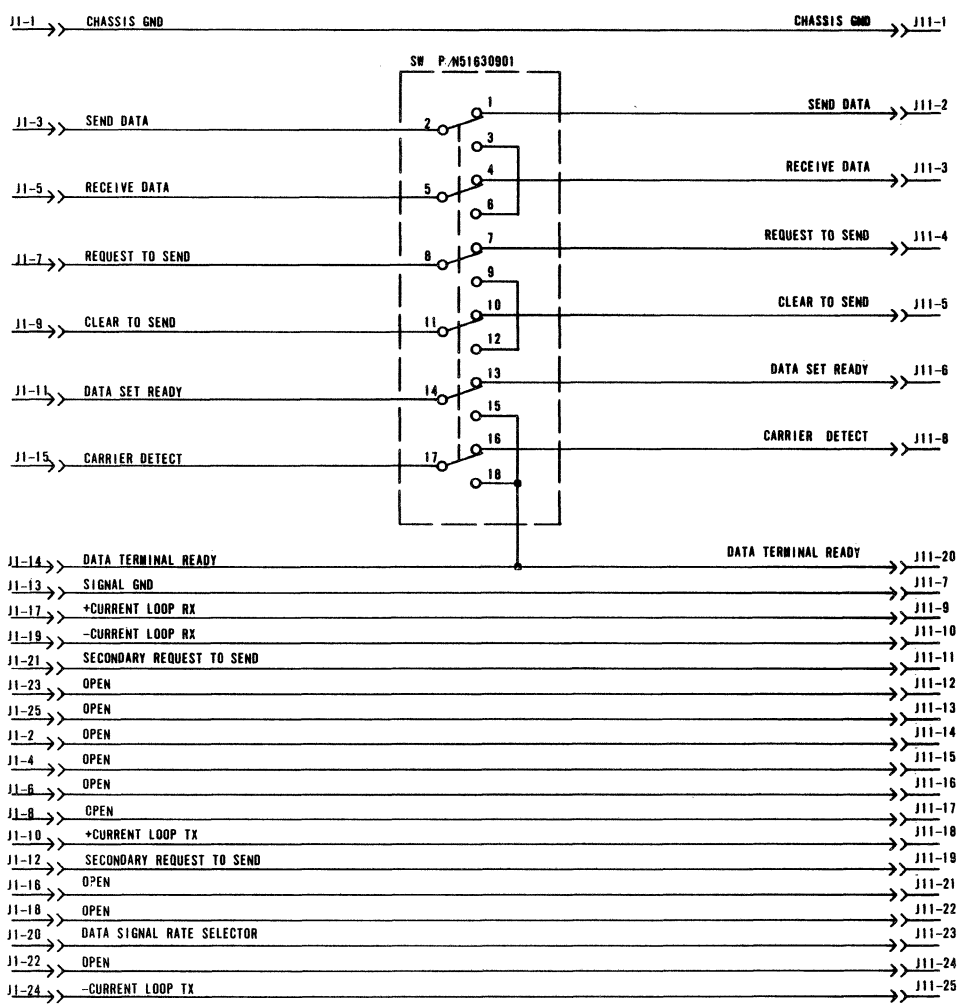
1

62940004

C

B

1-3



SHEET REVISION STATUS				REVISION RECORD			
REV	CD	DESCRIPTION	DRFT	DATE	CHKD	APP	
00	50004-70	RELEASED CLASS 'B'	-	2/22/70	-	ES	
A	13471-72	RELEASED CLASS 'A'	-	3/24/70	-	AB	

D

C

A

90446216

REFERENCE DRAWING		CONN. DATA		TITLE	
DETAIL 90446217		FIRST USED ON		SCHEMATIC DIAGRAM OAAD	
ASSY 90446218		CC 628A		(1/0 CONN/TEST SWITCH)	
COMPONENTS, EXCEPT AS NOTED		DWN E. ERSFELD 2/4/70		DRAWING NO	
RES	TOLERANCE	VALUE	RATING	CODE IDENT	15920
CAP				C	90446216
MFG		3-19-70		SCALE	
APPR		3-18-70		CROSS REF NO	
				SHEET 1 OF 1	

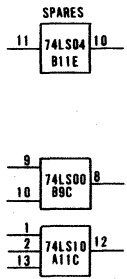
4

3

2

1

SHEET REVISION STATUS											REVISION RECORD			
REV	CO	DESCRIPTION	DRFT	DATE	CHKD	APP	11	10	9	8	7			
A	13971-73	RELEASED CLASS 'A'		4-9-80			A	A	A	A				
A	14037	REVISED PER ECO	MQ	6-18-80			B	B	B	B				
A	14241	REVISED PER ECO	WJL	9-2-80			B	B	B	B				
A	17365	CHG VALUE ON C95 SMT 7	EE	11/17/80	EE		D	D	D	D				



NOTES:  
 1. UNLESS OTHERWISE SPECIFIED, POWER AND GROUND PINS OF INTEGRATED CIRCUITS ARE AS LISTED BELOW:  
 14 PIN INTEGRATED CKTS: PIN 14 = +5V, PIN 7 = GND.  
 16 PIN INTEGRATED CKTS: PIN 16 = +5V, PIN 8 = GND.  
 24 PIN INTEGRATED CKTS: PIN 24 = +5V, PIN 12 = GND.

REFERENCE DRAWING		IN R 10		TITLE	
DETAIL	90446158	FIRST USED ON		SCHEMATIC DIAGRAM, 98TD	
ASSY	90446159	DWN		E ERSFELD 2/19/80	
LOGIC SUPPORT DOC	62201046	CHKD		3	
COMPONENTS, EXCEPT AS NOTED		ENGR		3-20-80	
TOLERANCE	VALUE	RATING	MFG	3-25-80	
RES ± 5%	OHMS	1/4 W	APPR	3-28-80	
CAP ± 50-20%	J/F	25V			
CODE IDENT		DRAWING NO		SCALE	
15920		C 90446157		CROSS REF NO	
SHEET		1 OF 14			

1-4

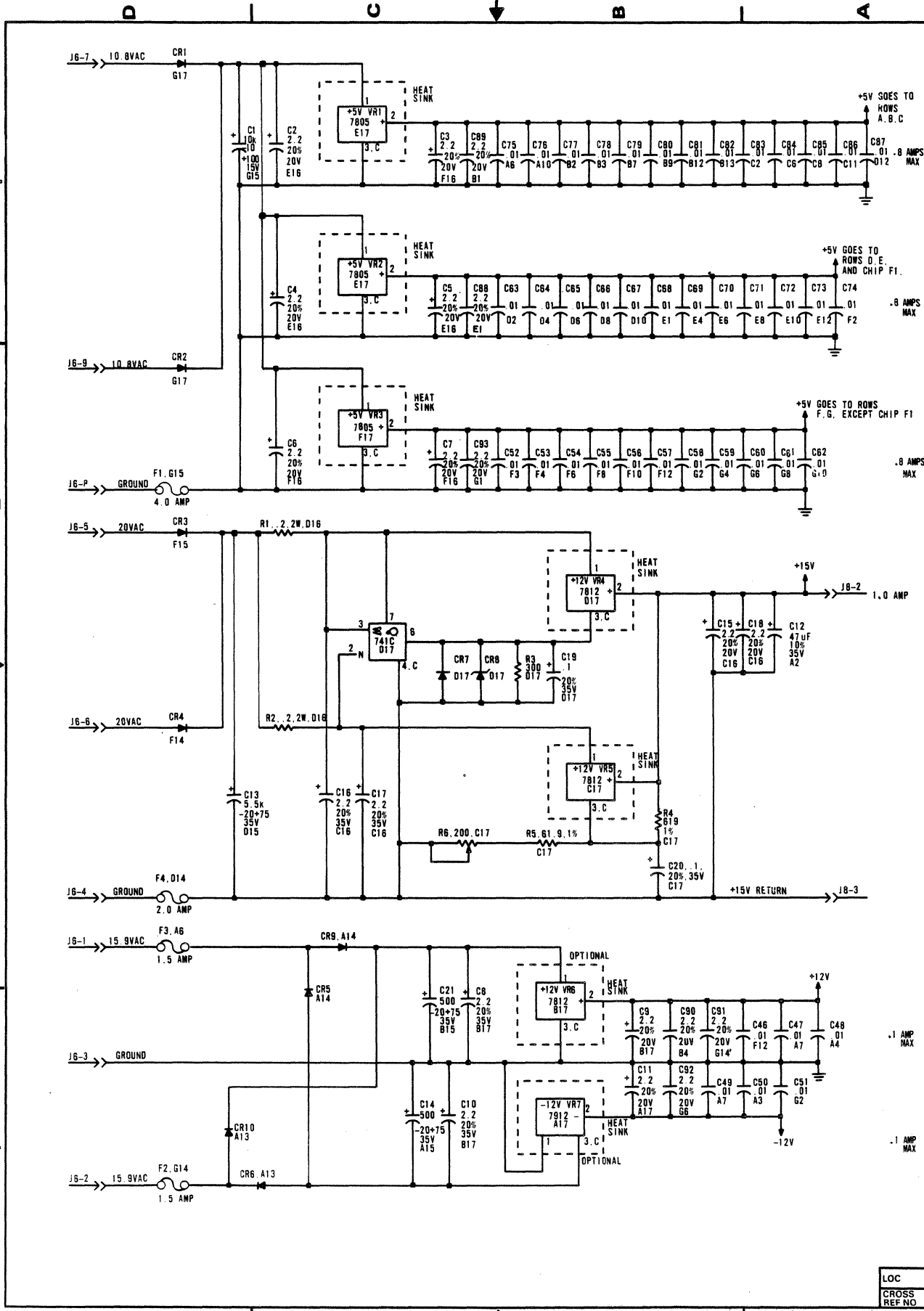
62940004 B

D  
C  
B  
A

4 3 2 1



REV C  
 DWG NO 90446157  
 CODE IRRT 15920  
 SCHEMATIC DIAGRAM, 98TD  
 POWER SUPPLY  
 +5V, +12V, -12V, +15V  
 SHEET 2  
 CROSS REF NO 000

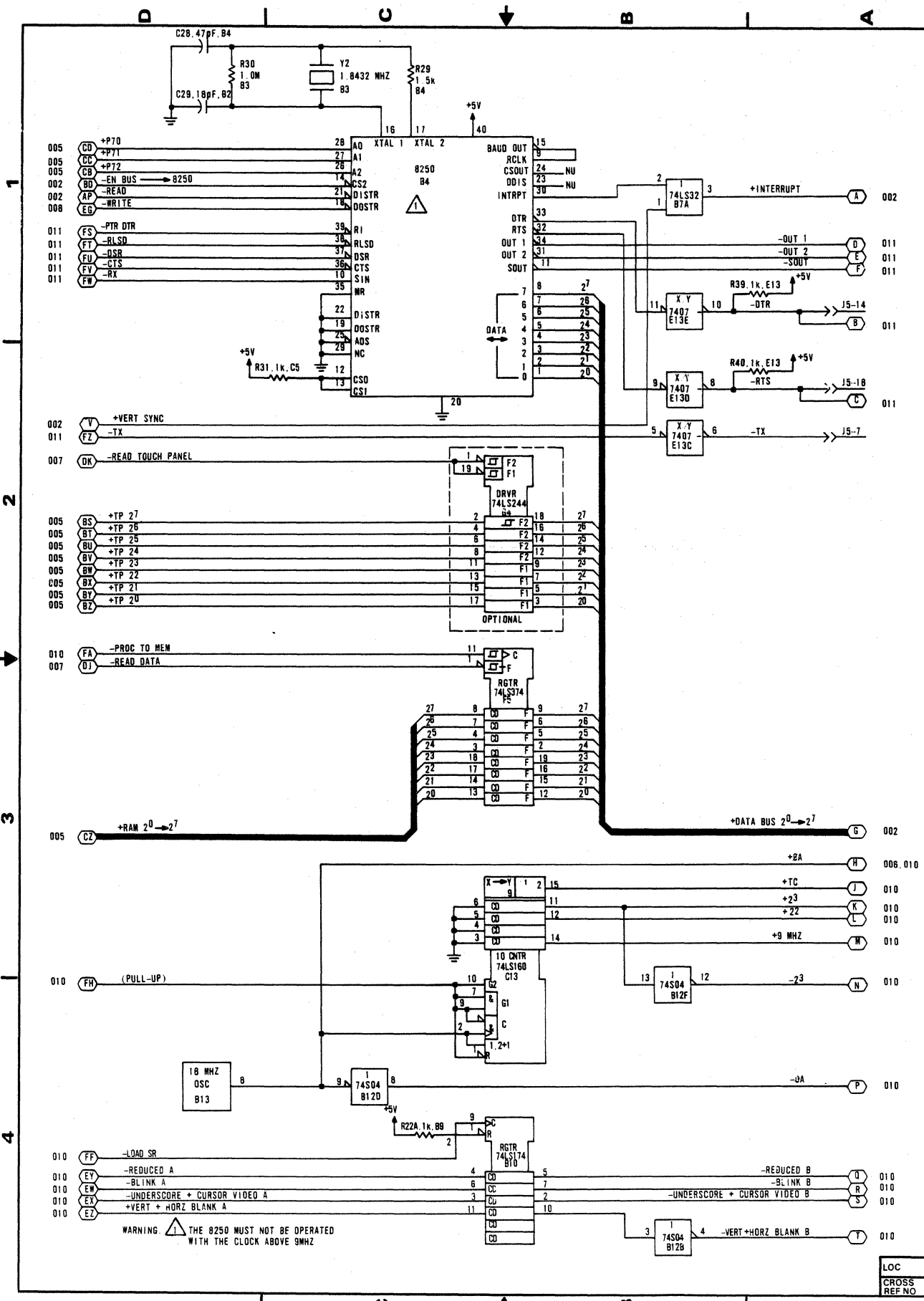


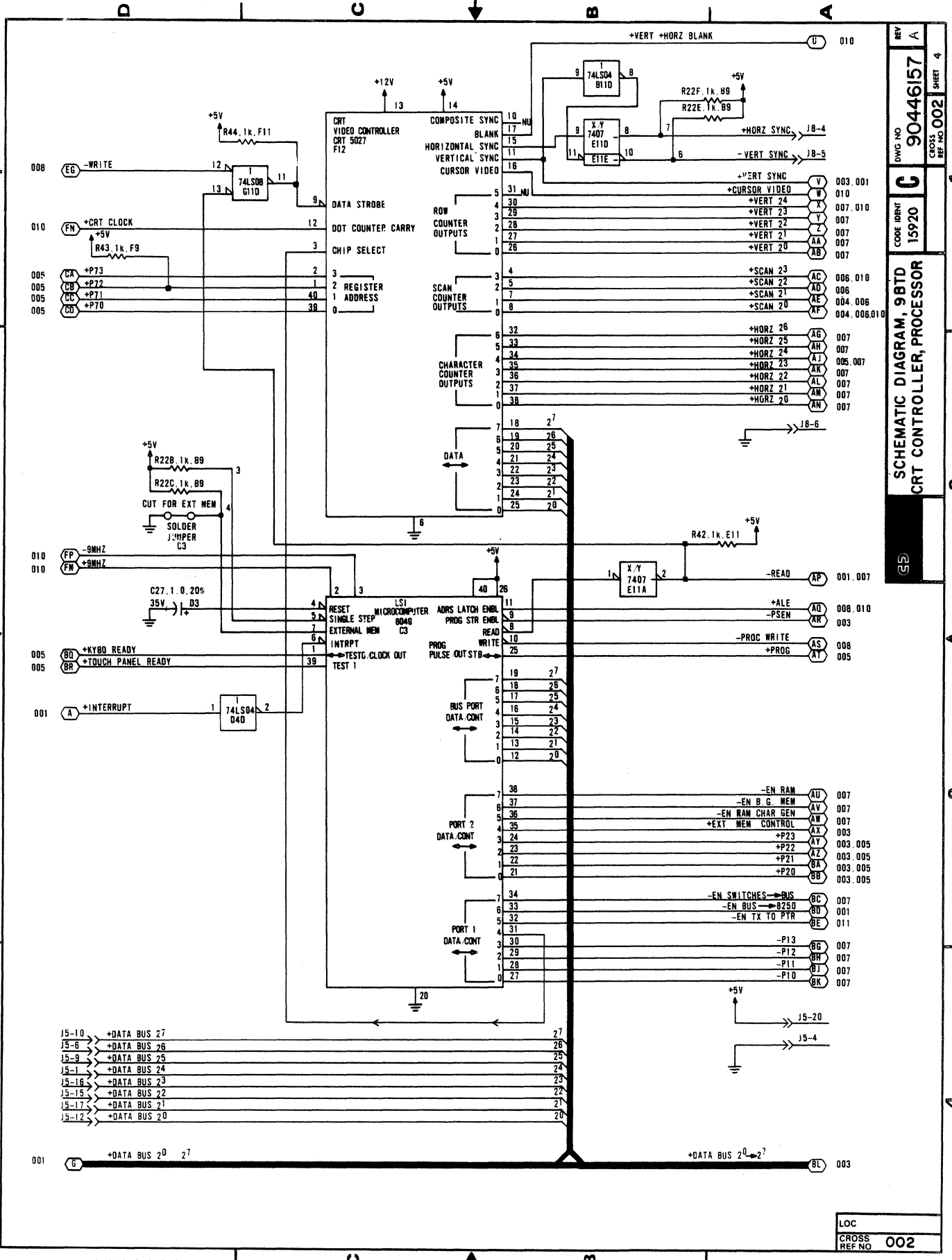
62940004

1-5

LOC  
 CROSS REF NO 000

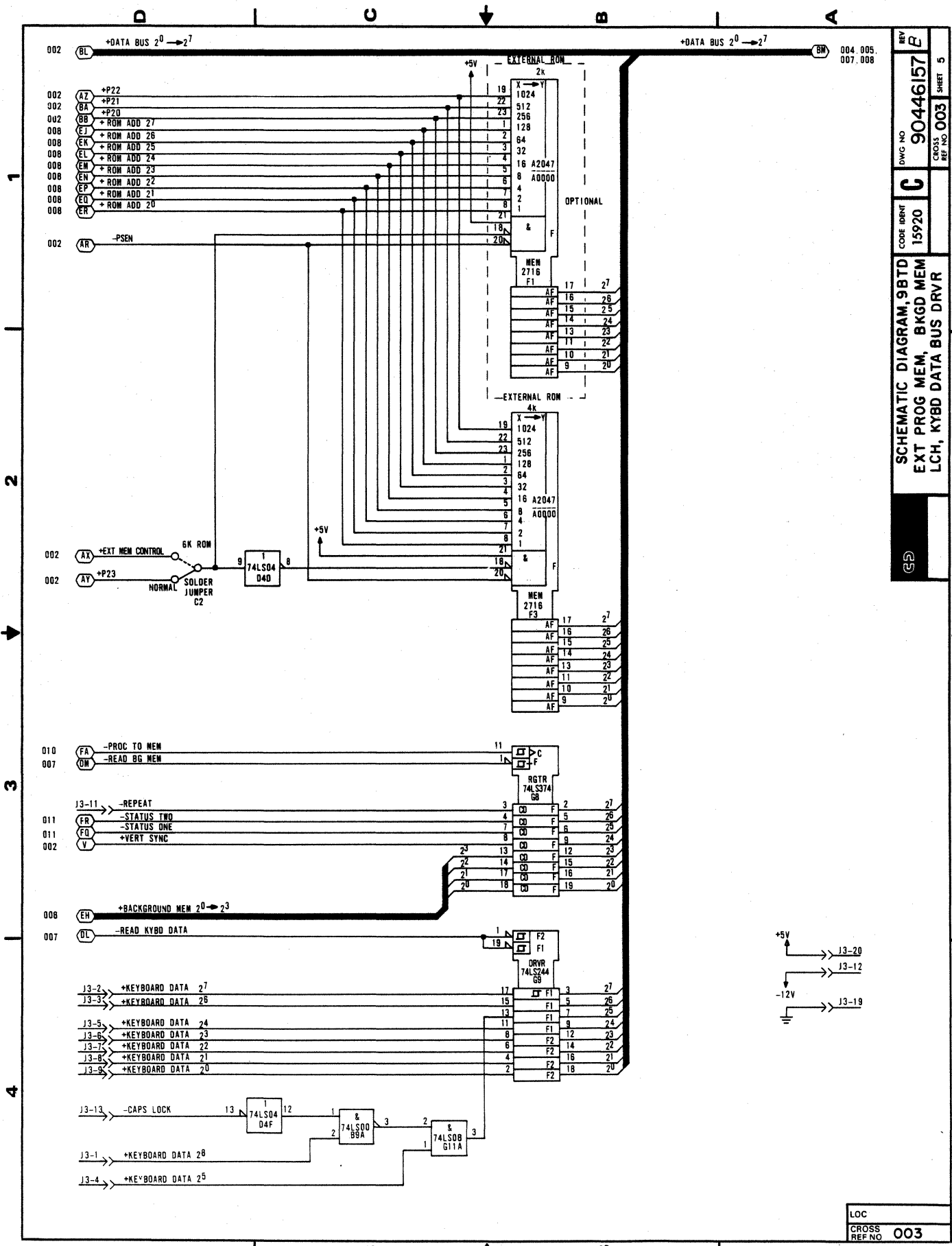
REV B  
 DWG NO 90446157  
 CODE IDENT C  
 15920  
 CROSS REF NO 001 SHEET 3  
 SCHEMATIC DIAGRAM 9BYD  
 UART TP DATA BUS DRVR RD  
 DATA LCH DOT CTR, VID CONT  
 GD





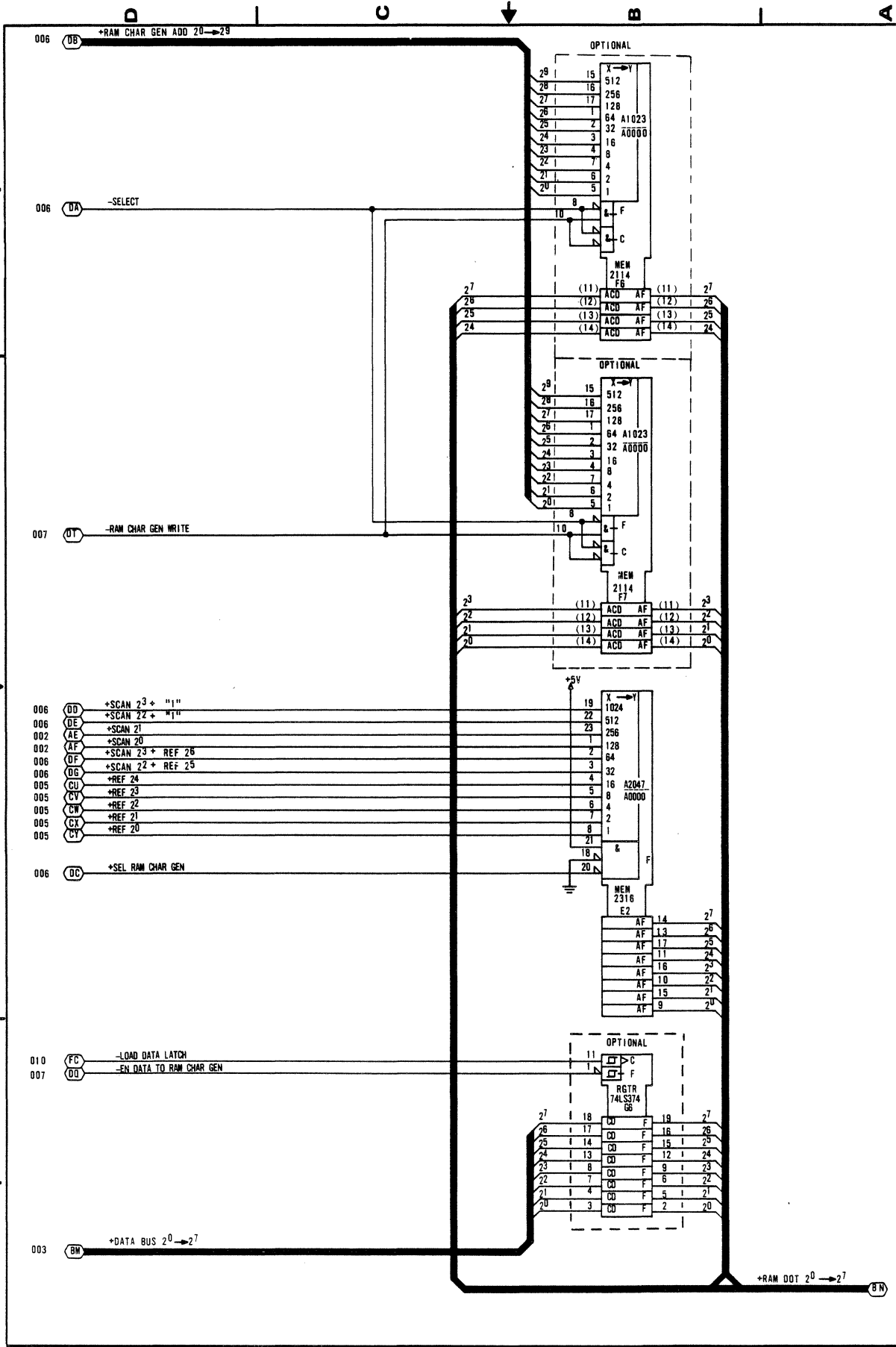
REV A  
 DWG NO 90446157  
 CROSS REF NO 002 SHEET 4  
 CODE IDENT 15920  
 SCHEMATIC DIAGRAM, 9BTD  
 CRT CONTROLLER, PROCESSOR

LOC  
 CROSS REF NO 002



REV E  
 DWG NO 90446157  
 CODE IDENT C  
 15920  
 SCHEMATIC DIAGRAM, 98TD  
 EXT PROG MEM, BKGD MEM  
 LCH, KYBD DATA BUS DRVR  
 CROSS REF NO 003  
 SHEET 5

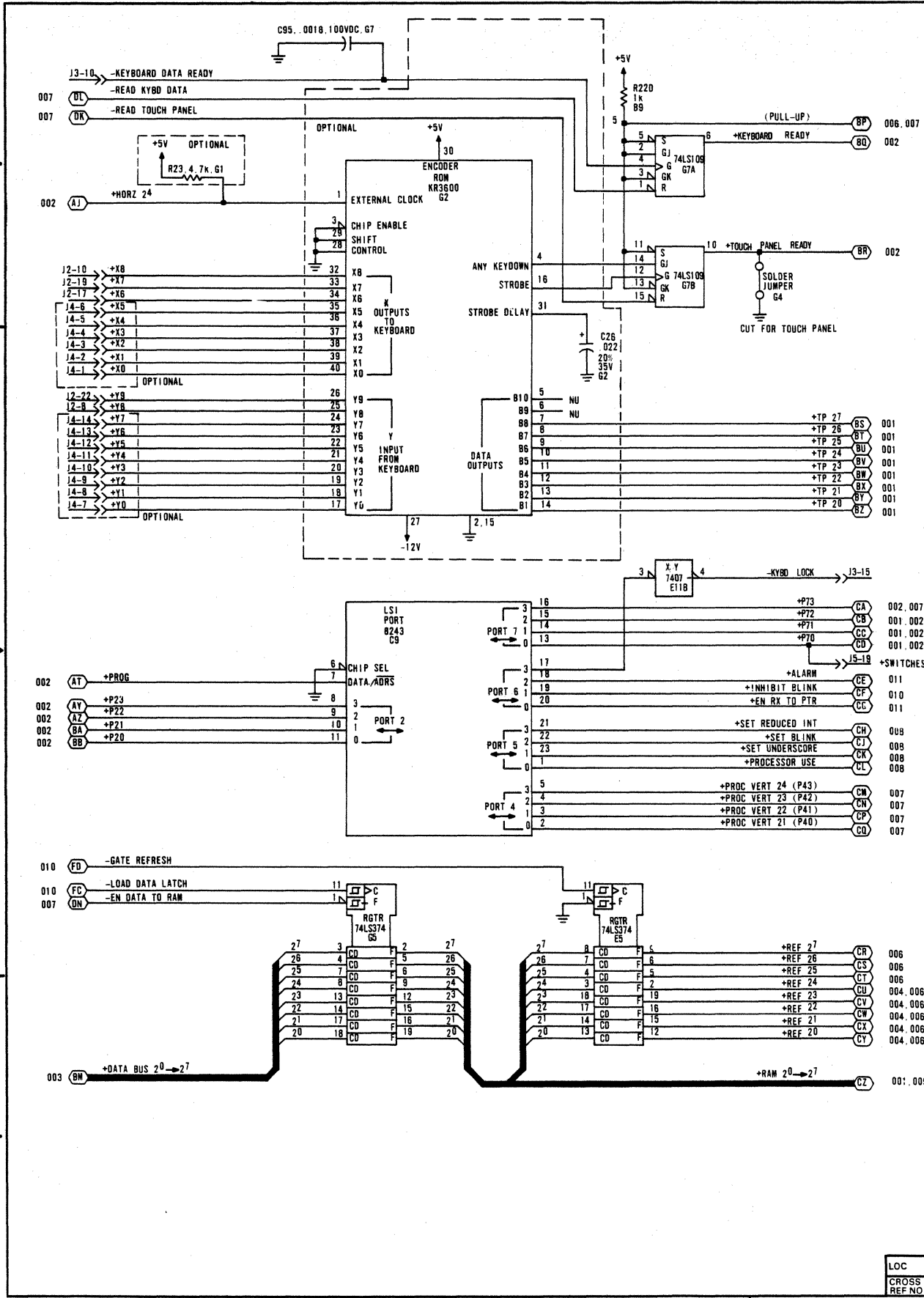
LOC  
 CROSS REF NO 003



REV	B
DWG NO	90446157
CROSS REF NO	004 SHEET 6
CODE IDENT	C 15920
SCHEMATIC DIAGRAM 98TD	
RAM CHAR GEN, ROM CHAR GEN	
RAM CHAR GEN DATA LCH (WR)	
(5P)	

006

LOC  
CROSS REF NO 004



REV  $\Delta$   
 DWG NO 90446157  
 CODE IDENT 15920  
 CROSS REF NO 005  
 SHEET 7

SCHMATIC DIAGRAM 9BTD  
 KYBD RDY, TP ENCR&RDY,  
 PORT EXP, WR&REF DATA LCHS

001 +TP 27 (BS)  
 001 +TP 28 (BT)  
 001 +TP 25 (BU)  
 001 +TP 24 (BV)  
 001 +TP 23 (BW)  
 001 +TP 22 (BX)  
 001 +TP 21 (BY)  
 001 +TP 20 (BZ)

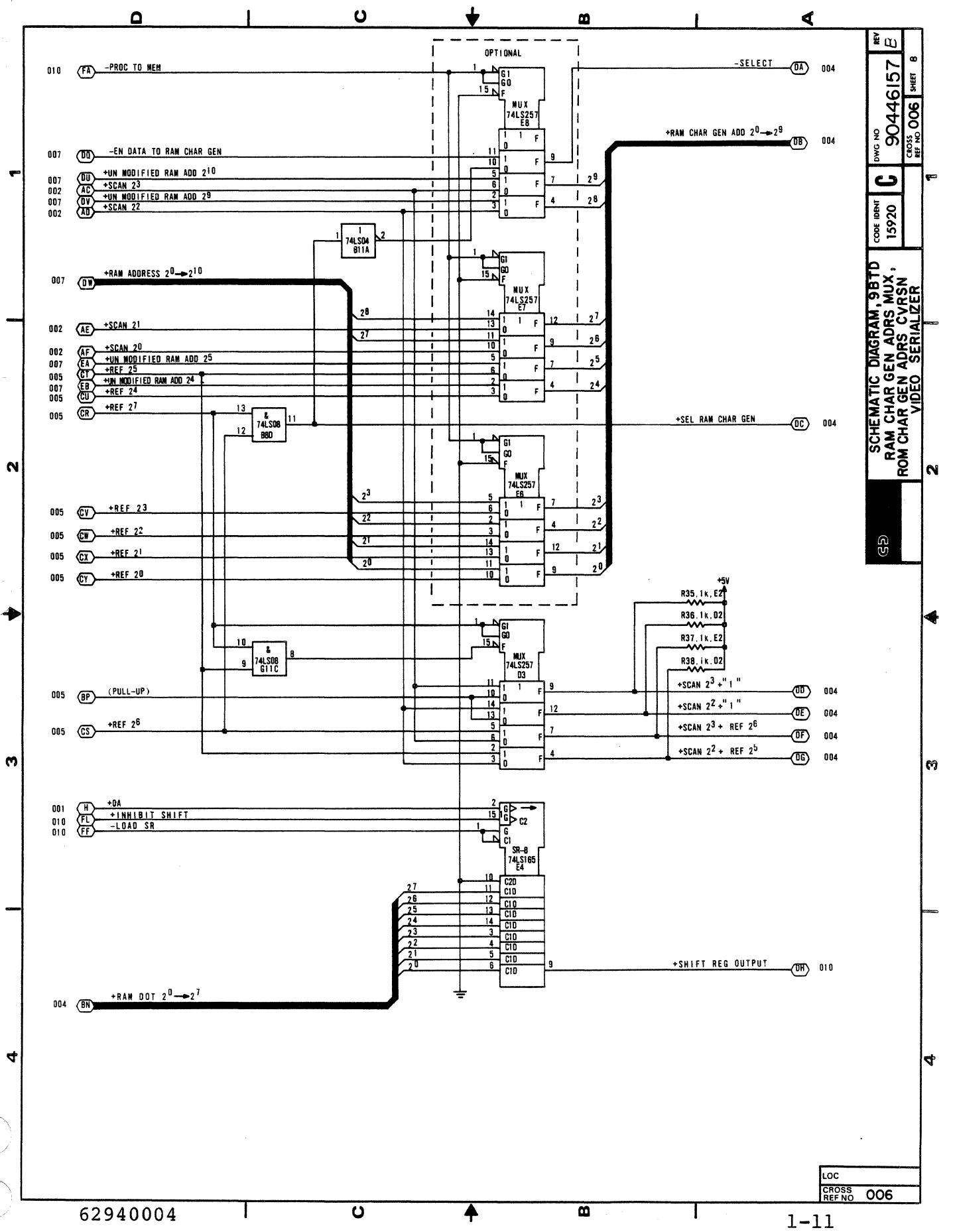
002, 007 +P73 (CA)  
 001, 002, 007 +P72 (CB)  
 001, 002, 007 +P71 (CC)  
 001, 002 +P70 (CD)  
 011 +SWITCHES ODD (P70) (CE)  
 010 +ALARM (CF)  
 011 +INHIBIT BLINK (CG)  
 011 +EN RX TO PTR (CH)  
 008 +SET REDUCED INT (CI)  
 008 +SET BLINK (CJ)  
 008 +SET UNDERSCORE (CK)  
 008 +PROCESSOR USE (CL)

007 +PROC VERT 24 (P43) (CM)  
 007 +PROC VERT 23 (P42) (CN)  
 007 +PROC VERT 22 (P41) (CO)  
 007 +PROC VERT 21 (P40) (CQ)

006 +REF 27 (CR)  
 006 +REF 26 (CS)  
 006 +REF 25 (CT)  
 006 +REF 24 (CU)  
 004, 006 +REF 23 (CV)  
 004, 006 +REF 22 (CW)  
 004, 006 +REF 21 (CX)  
 004, 006 +REF 20 (CY)

003 +DATA BUS 20  $\rightarrow$  27 (BM)  
 001, 009 +RAM 20  $\rightarrow$  27 (BZ)

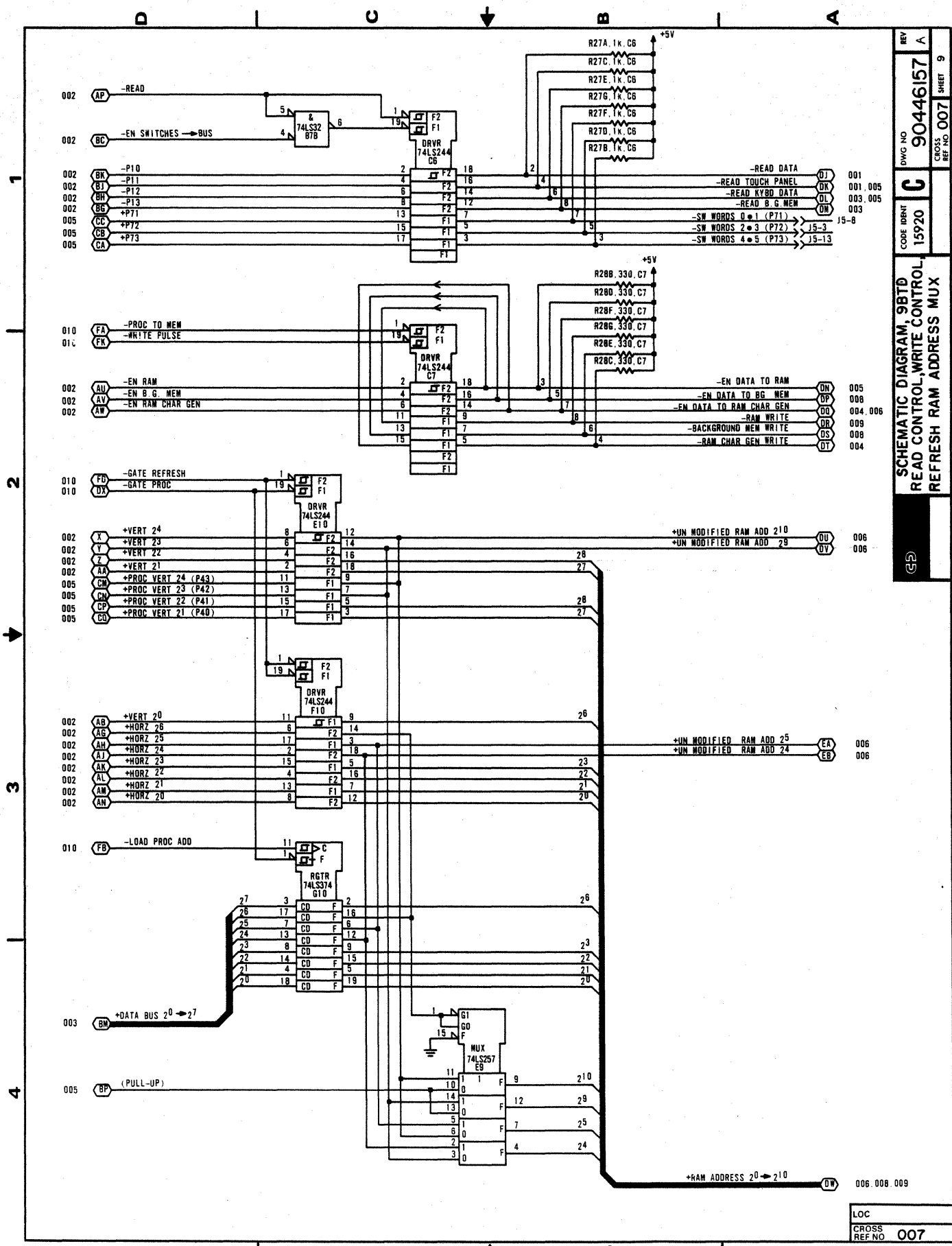
LOC  
 CROSS REF NO 005



REV	E
DWG NO	90446157
CODE IDENT	C 15920
CROSS REF NO	006
SHEET	8

SCHEMATIC DIAGRAM, 9BTD  
RAM CHAR GEN ADRS MUX,  
FROM CHAR GEN ADRS CVRSN,  
VIDEO SERIALIZER

LOC  
CROSS REF NO 006



REV A  
 DWG NO 90446157  
 SHEET 9  
 CODE IDENT 15920  
 CROSS REF NO 007  
**S**  
 SCHEMATIC DIAGRAM, 9BTD  
 READ CONTROL, WRITE CONTROL  
 REFRESH RAM ADDRESS MUX  
 (GS)

001 -READ DATA  
 001,005 -READ TOUCH PANEL  
 003,005 -READ KYBD DATA  
 003 -READ B.G. MEM  
 15-8 -SW WORDS 0=1 (P71)  
 15-3 -SW WORDS 2=3 (P72)  
 15-13 -SW WORDS 4=5 (P73)

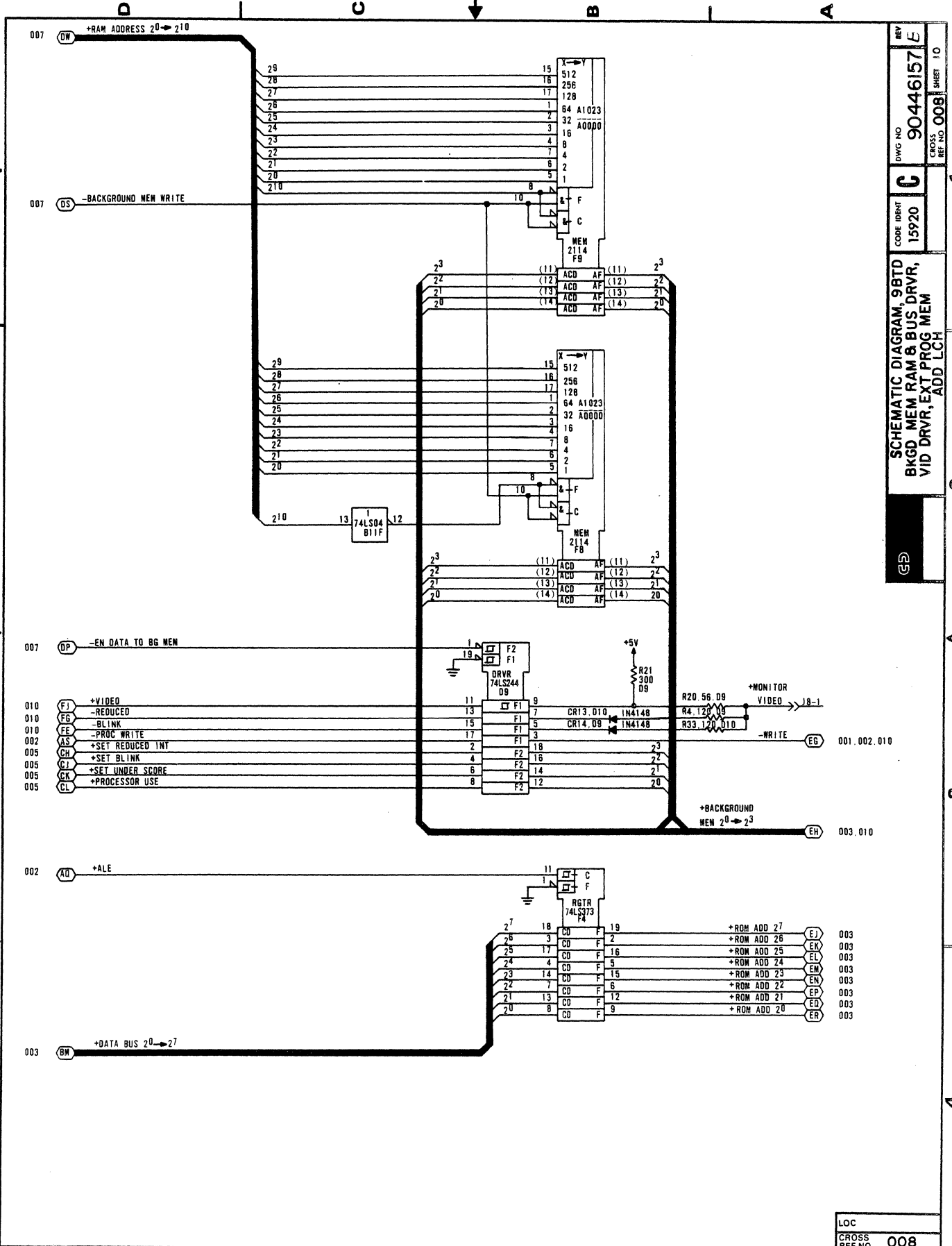
005 -EN DATA TO RAM  
 008 -EN DATA TO BG MEM  
 004,006 -EN DATA TO RAM CHAR GEN  
 009 -RAM WRITE  
 008 -BACKGROUND MEM WRITE  
 004 -RAM CHAR GEN WRITE

006 +UN MODIFIED RAM ADD 210  
 006 +UN MODIFIED RAM ADD 29  
 006 +UN MODIFIED RAM ADD 25  
 006 +UN MODIFIED RAM ADD 24

006,008,009

LOC  
 CROSS REF NO 007





REV 10  
 DWG NO 90446157  
 CODE IDENT 15920  
 CROSS REF NO 008  
 SHEET 10

SCHEMATIC DIAGRAM, 98TD  
 BKGD MEM RAM & BUS DRVR,  
 VID DRVR, EXT PROG MEM  
 ADD LCH

1  
 2  
 3  
 4

1  
 2  
 3  
 4

62940004

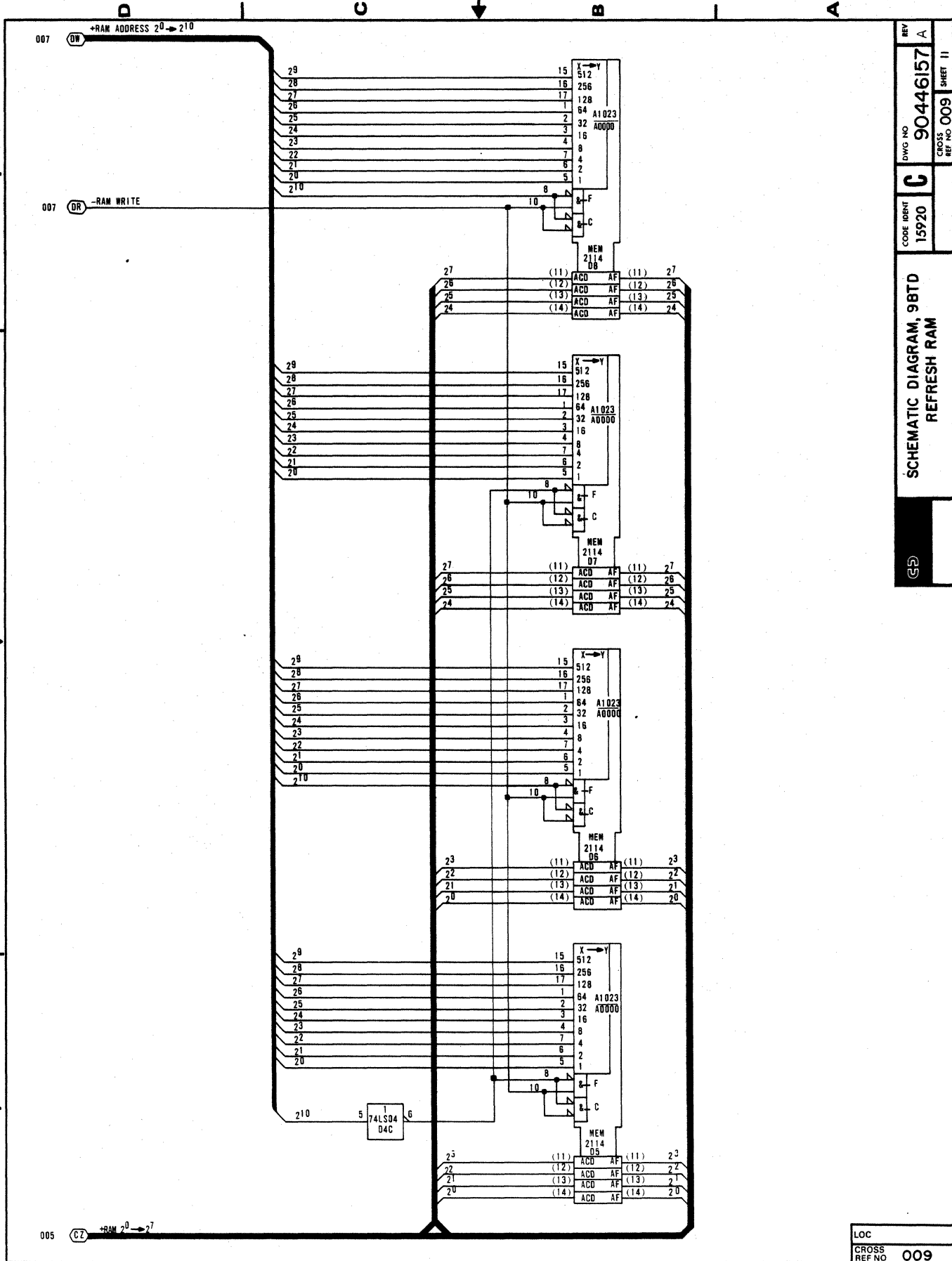
LOC  
 CROSS REF NO 008

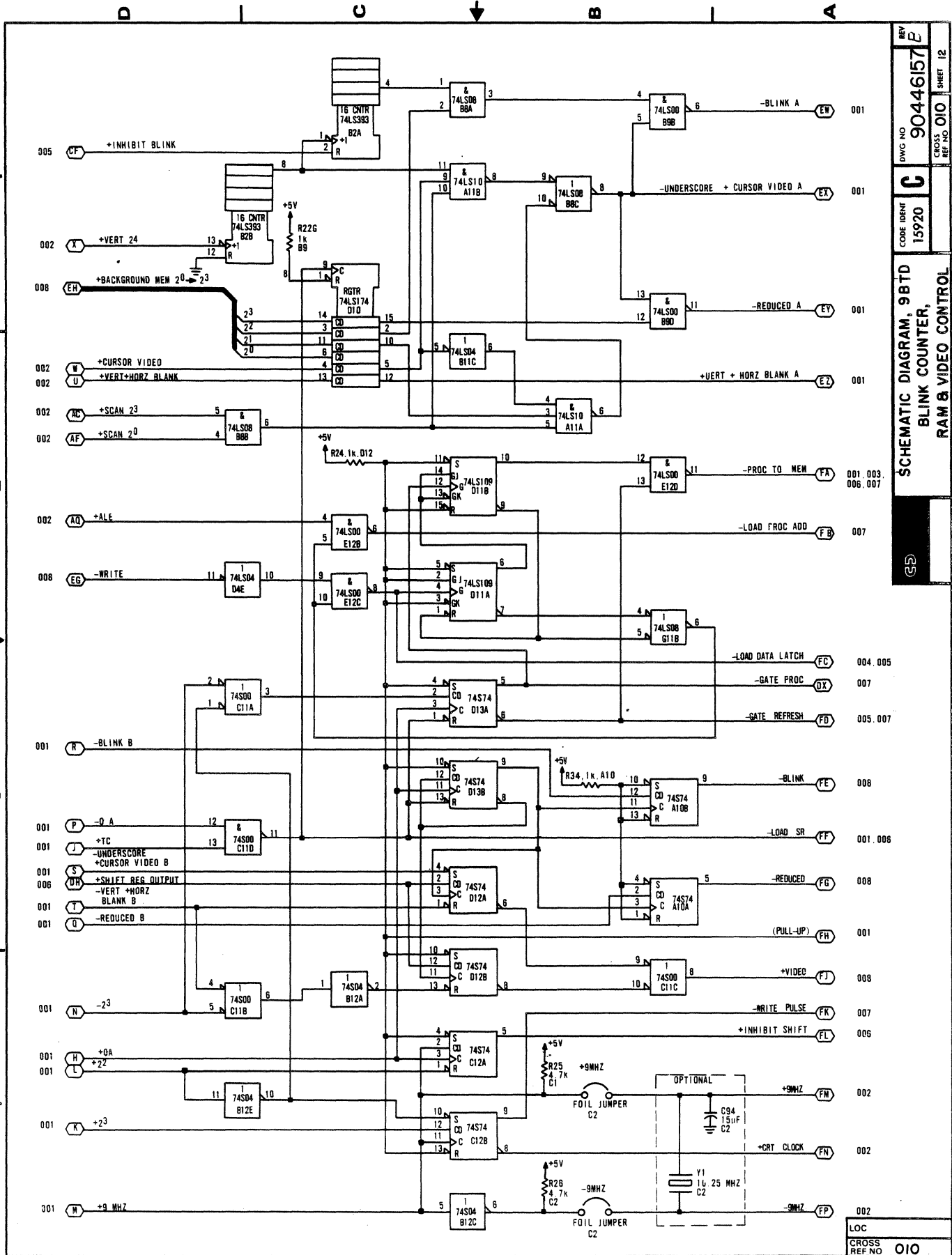
REV A  
 DWG NO 90446157  
 CODE IDENT 15920  
 CROSS REF NO 009 SHEET 11

**SCHEMATIC DIAGRAM, 98TD REFRESH RAM**



LOC  
 CROSS REF NO 009





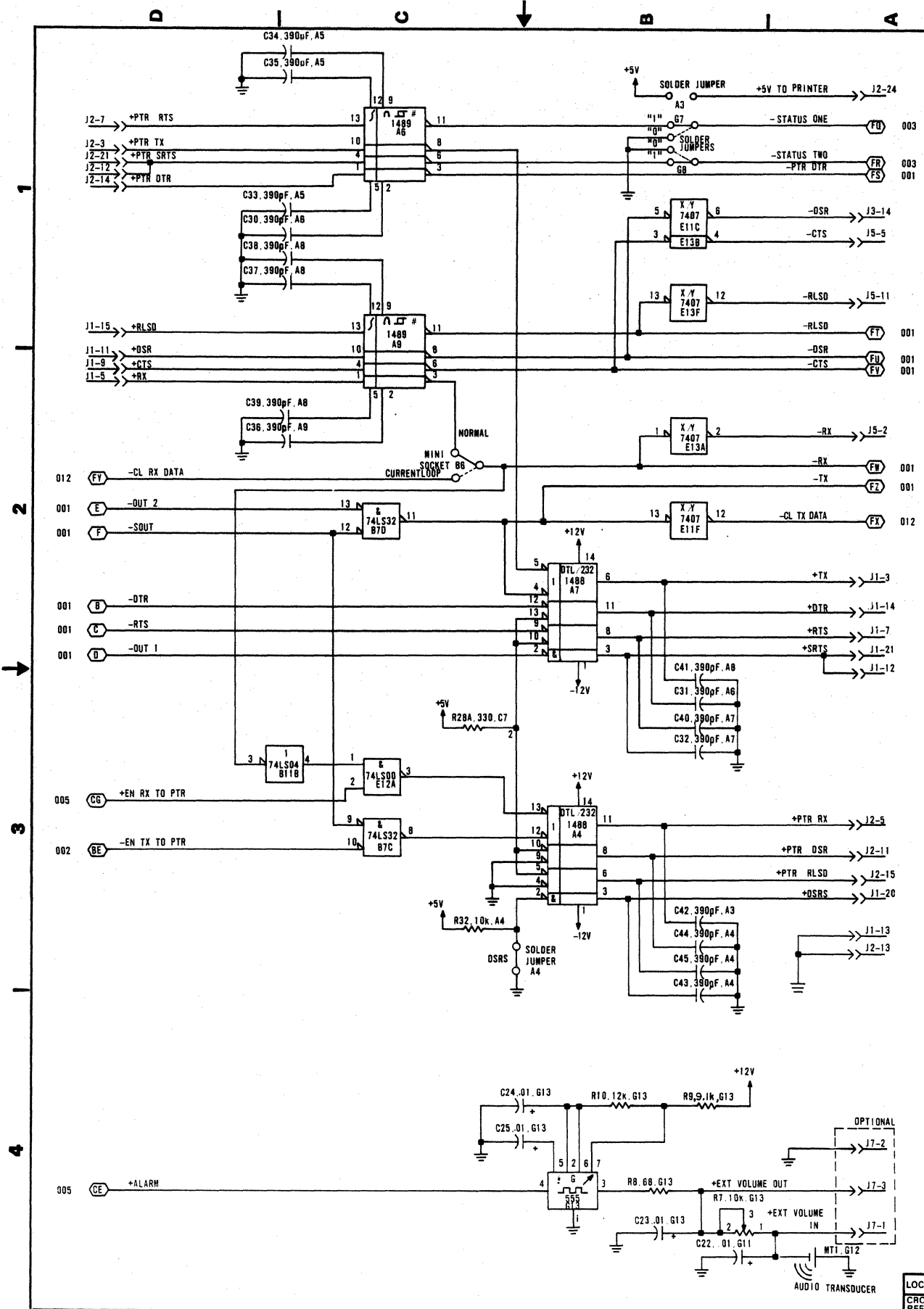
REV E  
 DWG NO 9046157  
 CODE IDENT 15920  
 CROSS REF NO 010 SHEET 12  
 SCHEMATIC DIAGRAM, 9B TD  
 BLINK COUNTER,  
 RAM & VIDEO CONTROL  
 (GD)

62940004

1-15

LOC  
 CROSS REF NO 010

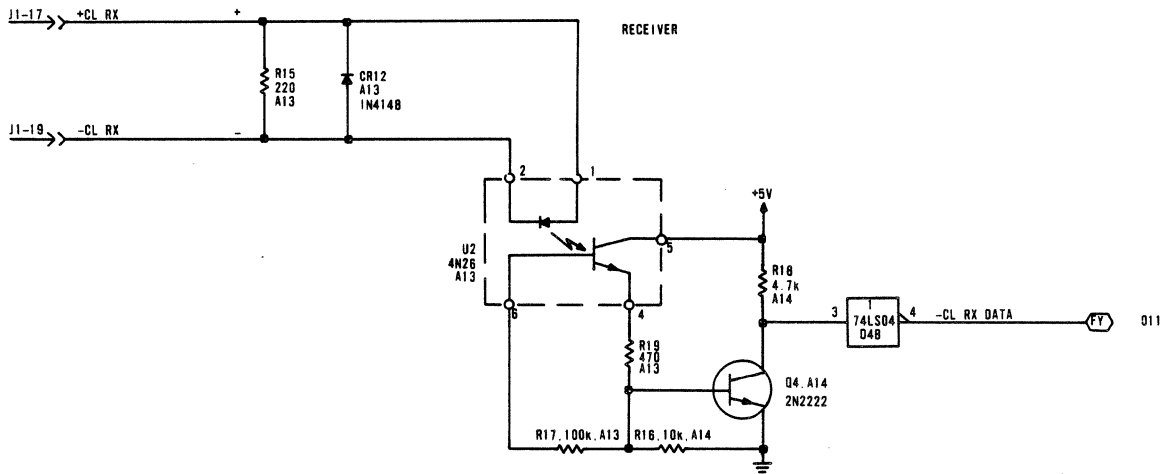
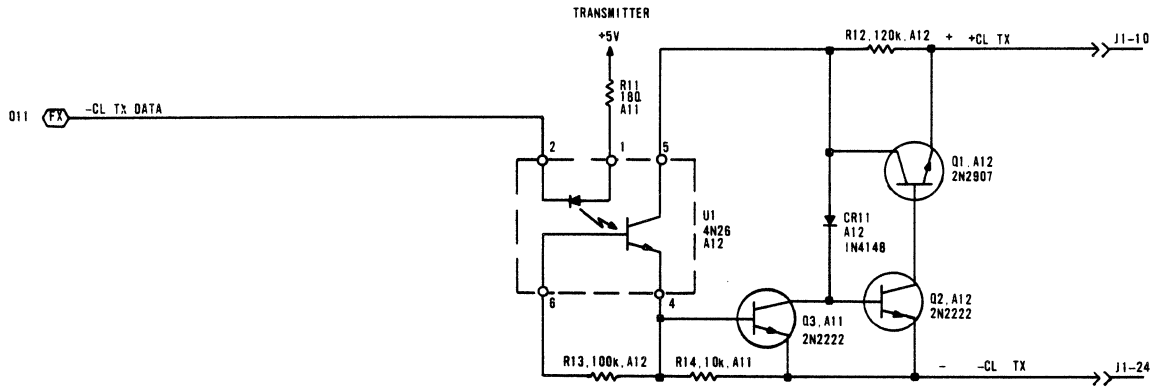
REV 15  
 DWG NO 90446157  
 CODE IDENT 13920  
 CROSS REF NO 011  
 SHEET 13  
 SCHEMATIC DIAGRAM 98TD  
 PRINTER & MODEM INTERFACE  
 RECEIVERS & DRIVERS,  
 ALARM CKT



1-16

62940004

LOC  
 CROSS REF NO 011

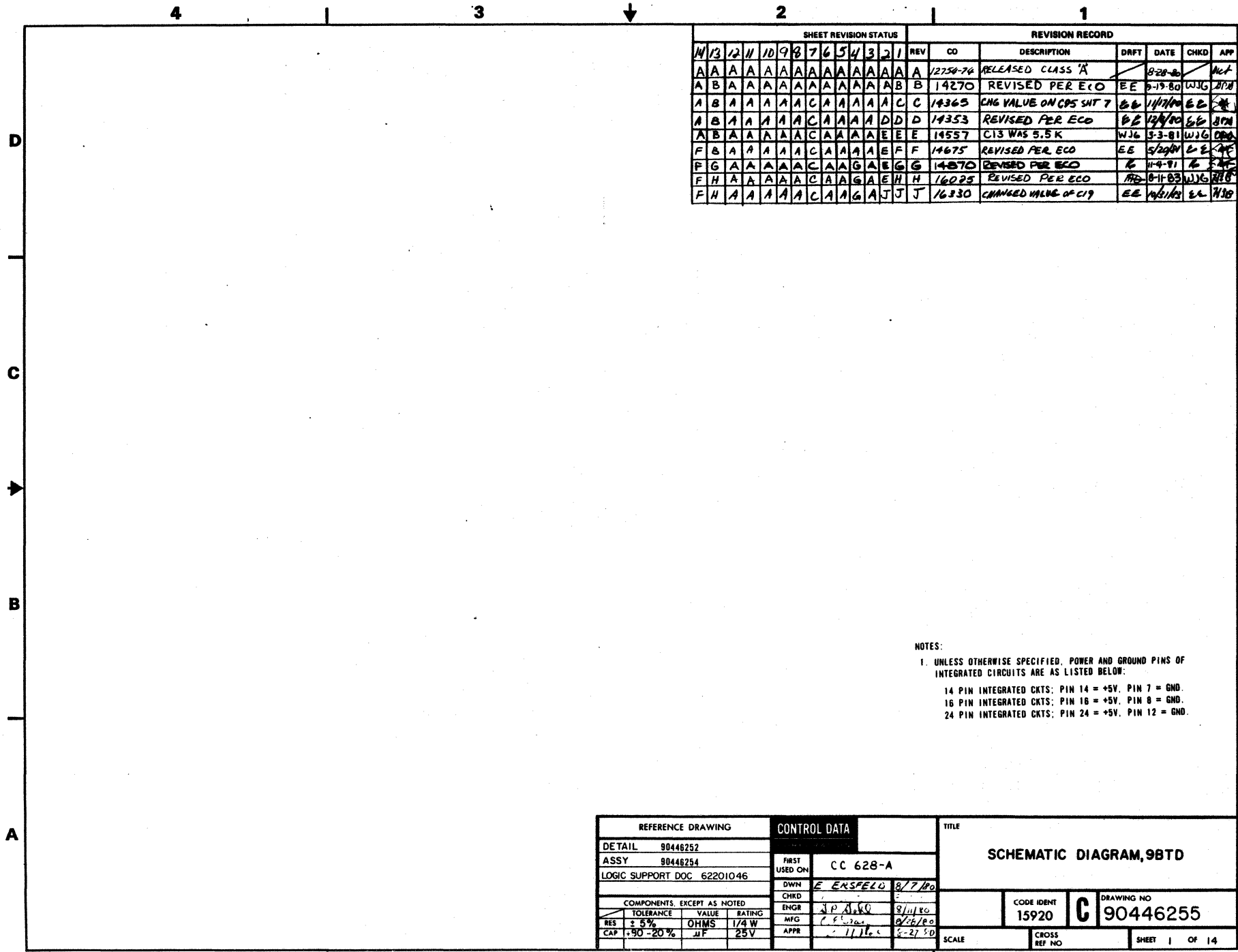


REV	1
DWG NO	90446157
CODE IDENT	15920
CROSS REF NO	O12
SHEET	14
SCHEMATIC DIAGRAM 98TD CURRENT LOOP INTERFACE TRANSMITTER & RECEIVER	
(GD)	

LOC	
CROSS REF NO	O12

1-18

62940004 H

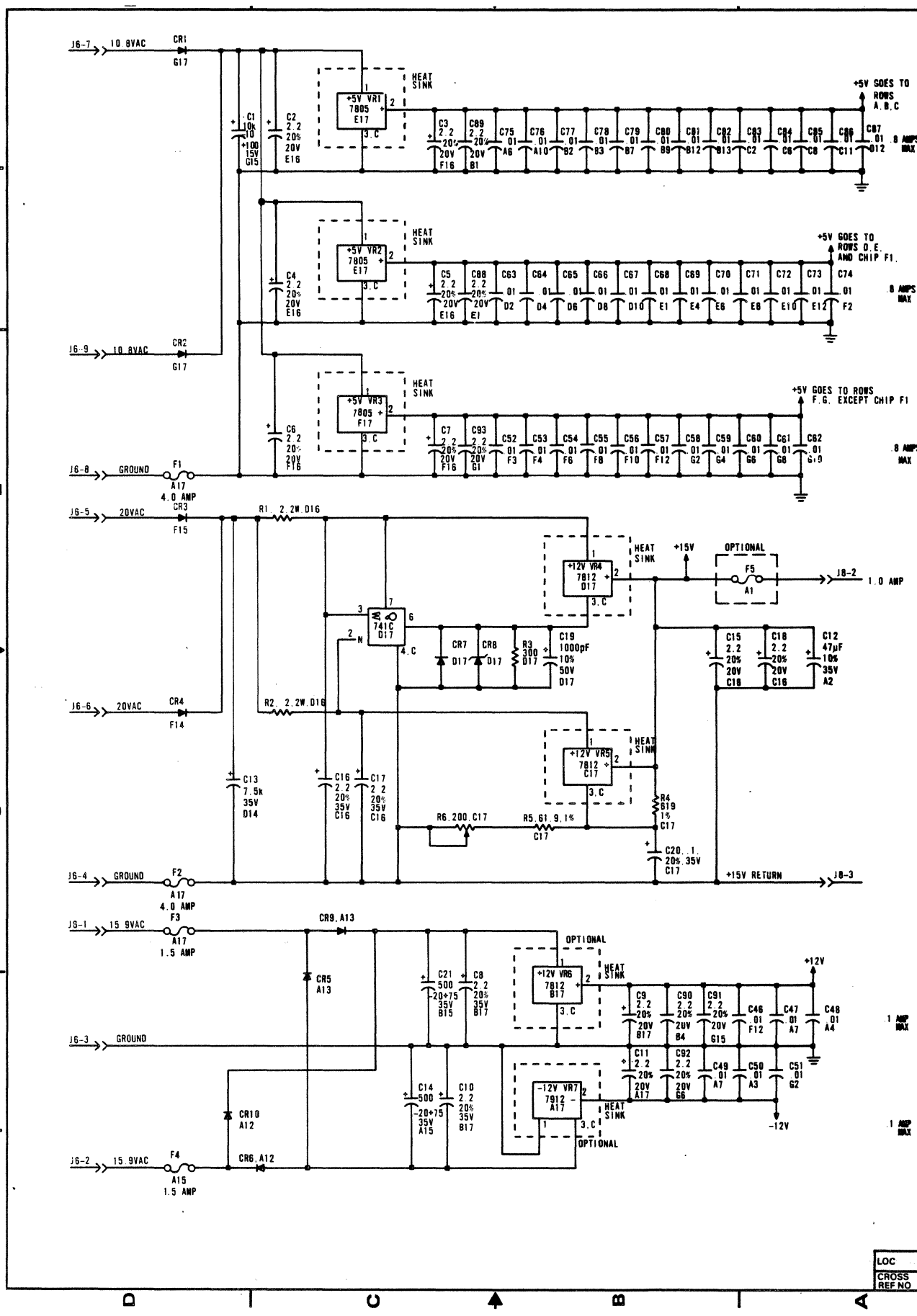


SHEET REVISION STATUS											REVISION RECORD						
11	10	9	8	7	6	5	4	3	2	1	REV	CO	DESCRIPTION	DRAFT	DATE	CHKD	APP
A	A	A	A	A	A	A	A	A	A	A	A	12254-76	RELEASED CLASS 'A'		8-28-80		Act
A	B	A	A	A	A	A	A	A	A	B	B	14270	REVISED PER ECO	EE	8-19-80	WJG	WJG
A	B	A	A	A	A	C	A	A	A	C	C	14363	CHG VALUE ON CDS SMT 7	EE	11/17/80	EE	EE
A	B	A	A	A	A	C	A	A	A	D	D	14353	REVISED PER ECO	EE	12/1/80	EE	WJG
A	B	A	A	A	A	C	A	A	A	E	E	14557	C13 WAS 5.5K	WJG	3-3-81	WJG	DBA
F	B	A	A	A	A	C	A	A	A	F	F	14675	REVISED PER ECO	EE	5/29/81	EE	EE
F	G	A	A	A	A	C	A	A	A	G	G	14970	REVISED PER ECO	EE	11-4-81	EE	EE
F	H	A	A	A	A	C	A	A	A	H	H	16025	REVISED PER ECO	EE	8-11-83	WJG	WJG
F	H	A	A	A	A	C	A	A	A	J	J	16330	CHANGED VALUE OF C19	EE	10/1/83	EE	WJG

NOTES:  
 1. UNLESS OTHERWISE SPECIFIED, POWER AND GROUND PINS OF INTEGRATED CIRCUITS ARE AS LISTED BELOW:  
 14 PIN INTEGRATED CKTS: PIN 14 = +5V. PIN 7 = GND.  
 16 PIN INTEGRATED CKTS: PIN 16 = +5V. PIN 8 = GND.  
 24 PIN INTEGRATED CKTS: PIN 24 = +5V. PIN 12 = GND.

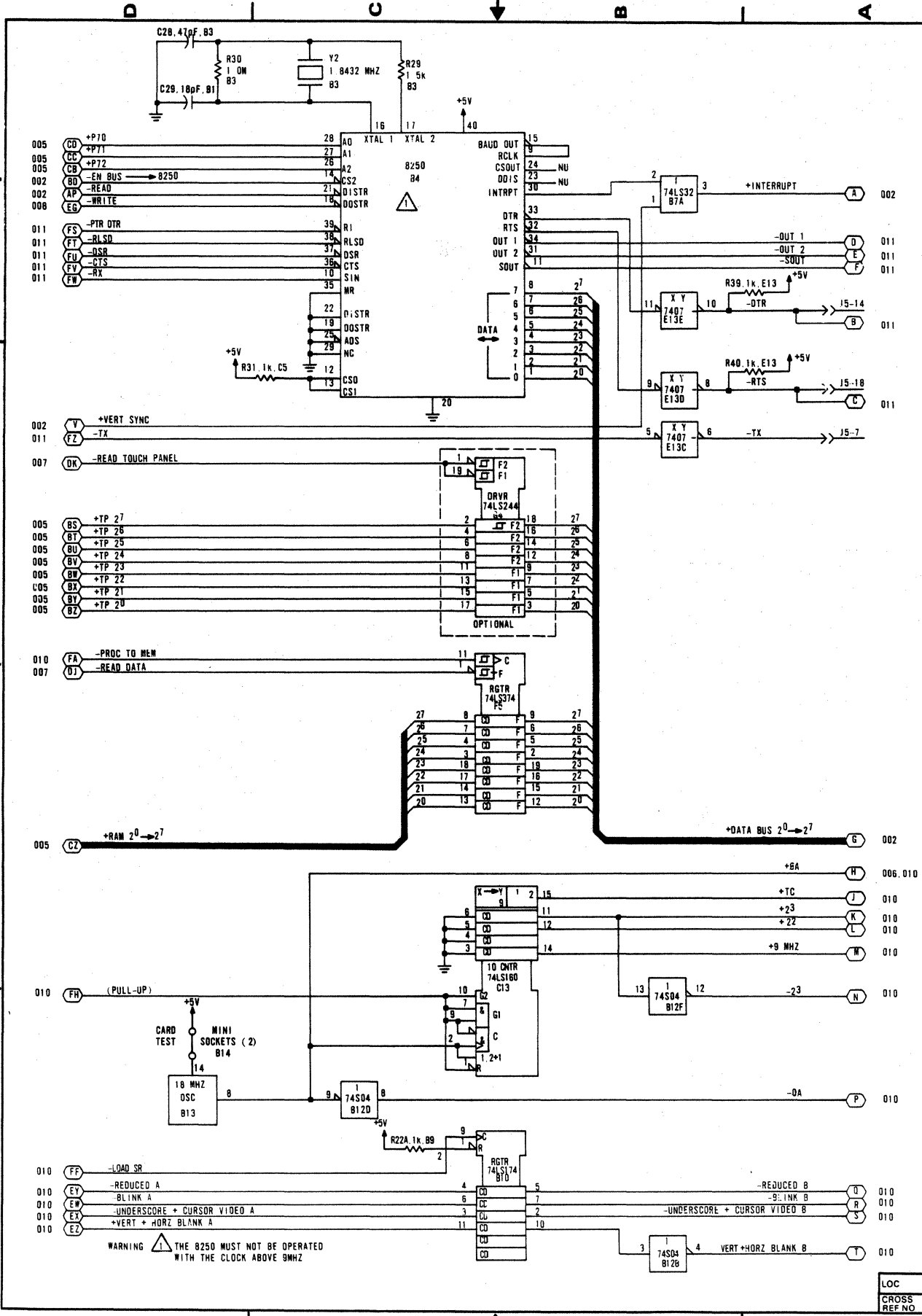
REFERENCE DRAWING			CONTROL DATA			TITLE		
DETAIL 90446252			FIRST USED ON CC 628-A			SCHEMATIC DIAGRAM, 98TD		
ASSY 90446254			CHKD E. ENSFELD 8/7/80					
LOGIC SUPPORT DOC 62201046			ENGR J.P. ALKO 8/11/80			CODE IDENT 15920		
MFG C. F. ... 8/26/80			APPR ... 8-27-80			DRAWING NO C 90446255		
COMPONENTS, EXCEPT AS NOTED			SCALE			CROSS REF NO		
TOLERANCE VALUE RATING			SHEET 1 OF 14					
RES ± 5% OHMS 1/4 W								
CAP ± 20% JIF 25V								

REV J  
 DWG NO 90446255  
 CODE IDENT 13920  
 SCHEMATIC DIAGRAM, 98TD  
 POWER SUPPLY  
 +5V, +12V, -12V, +15V  
 CROSS REF NO 000  
 SHEET 2



LOC  
 CROSS REF NO 000

REV A  
 DWG NO 90446255  
 CROSS REF NO 001 SHEET 3  
 CODE IDENT C  
 15920  
**SCHEMATIC DIAGRAM 9B1D**  
**UART, TP DATA BUS DRVR, RD**  
**DATA LCH, DOT CTR, VID CONT**

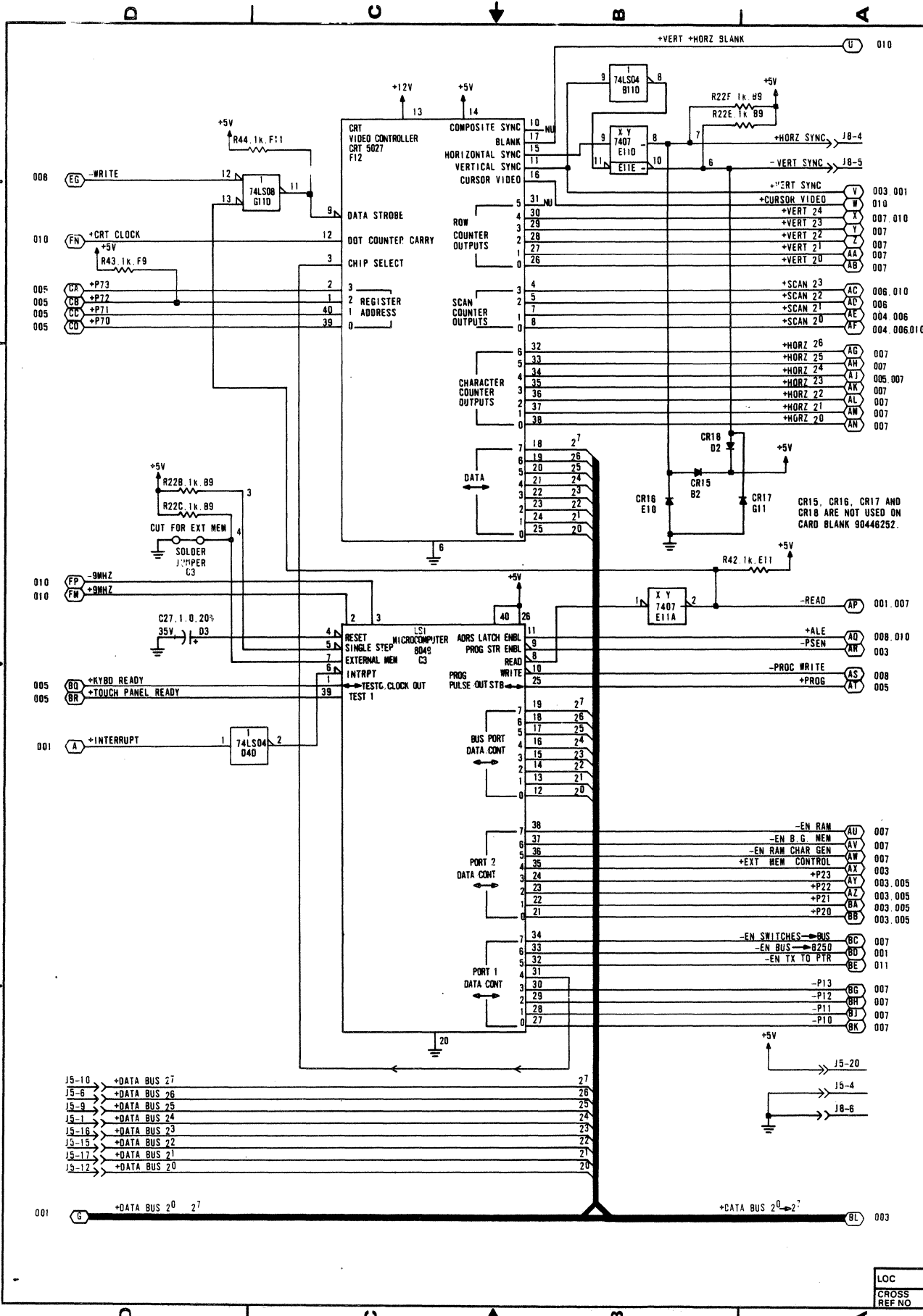


1-20

6294004

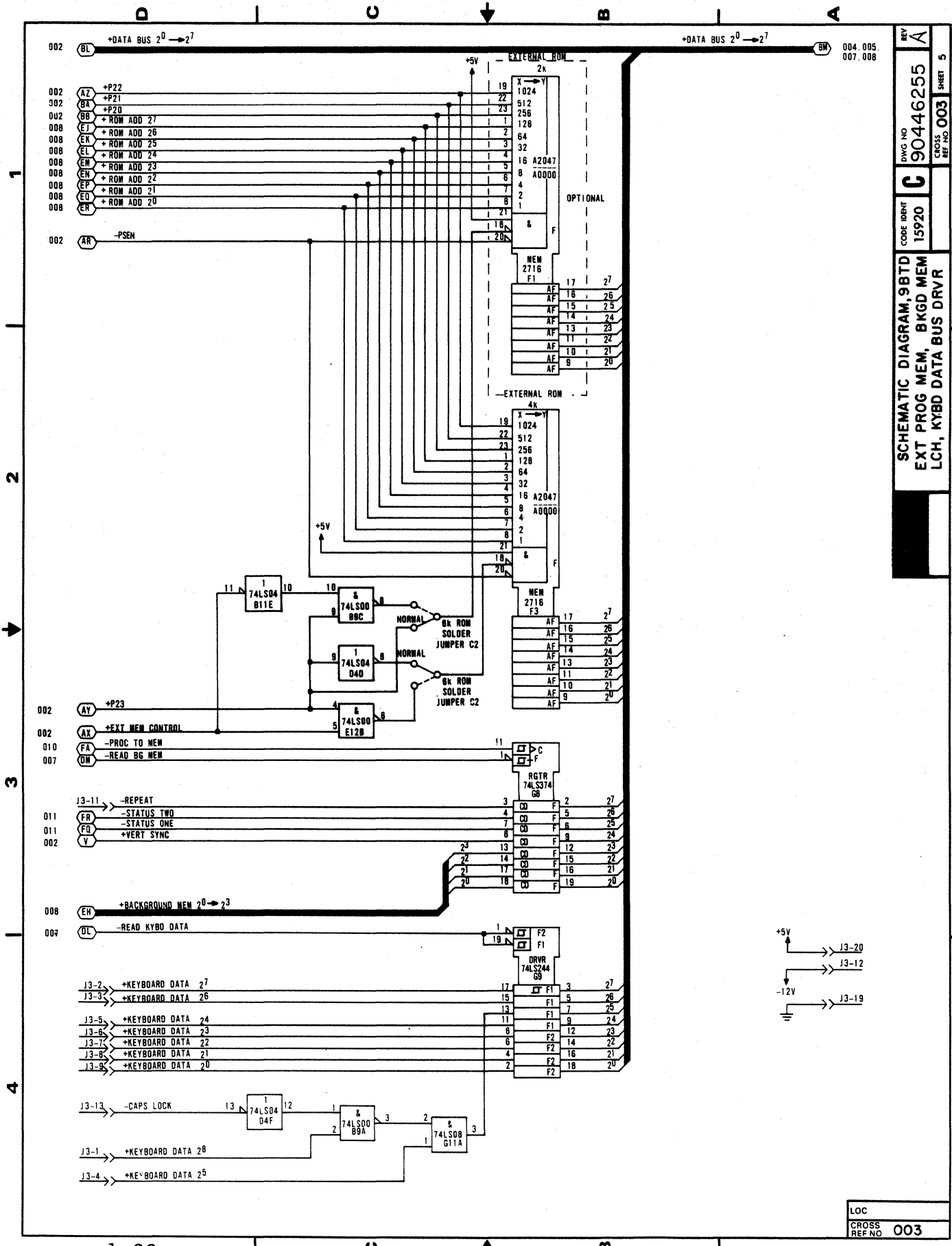
LOC  
 CROSS REF NO 001





REV G  
 DWG NO 90446255  
 CROSS REF NO 002 SHEET 4  
 CODE IDENT 15920  
 SCHEMATIC DIAGRAM, 98TD CRT CONTROLLER, PROCESSOR  
 15920

LOC CROSS REF NO 002  
 001 002 003 004 005 006 007 008 009 010 011 012 013 014 015 016 017 018 019 020 021 022 023 024 025 026 027 028 029 030 031 032 033 034 035 036 037 038 039 040 041 042 043 044 045 046 047 048 049 050 051 052 053 054 055 056 057 058 059 060 061 062 063 064 065 066 067 068 069 070 071 072 073 074 075 076 077 078 079 080 081 082 083 084 085 086 087 088 089 090 091 092 093 094 095 096 097 098 099 100

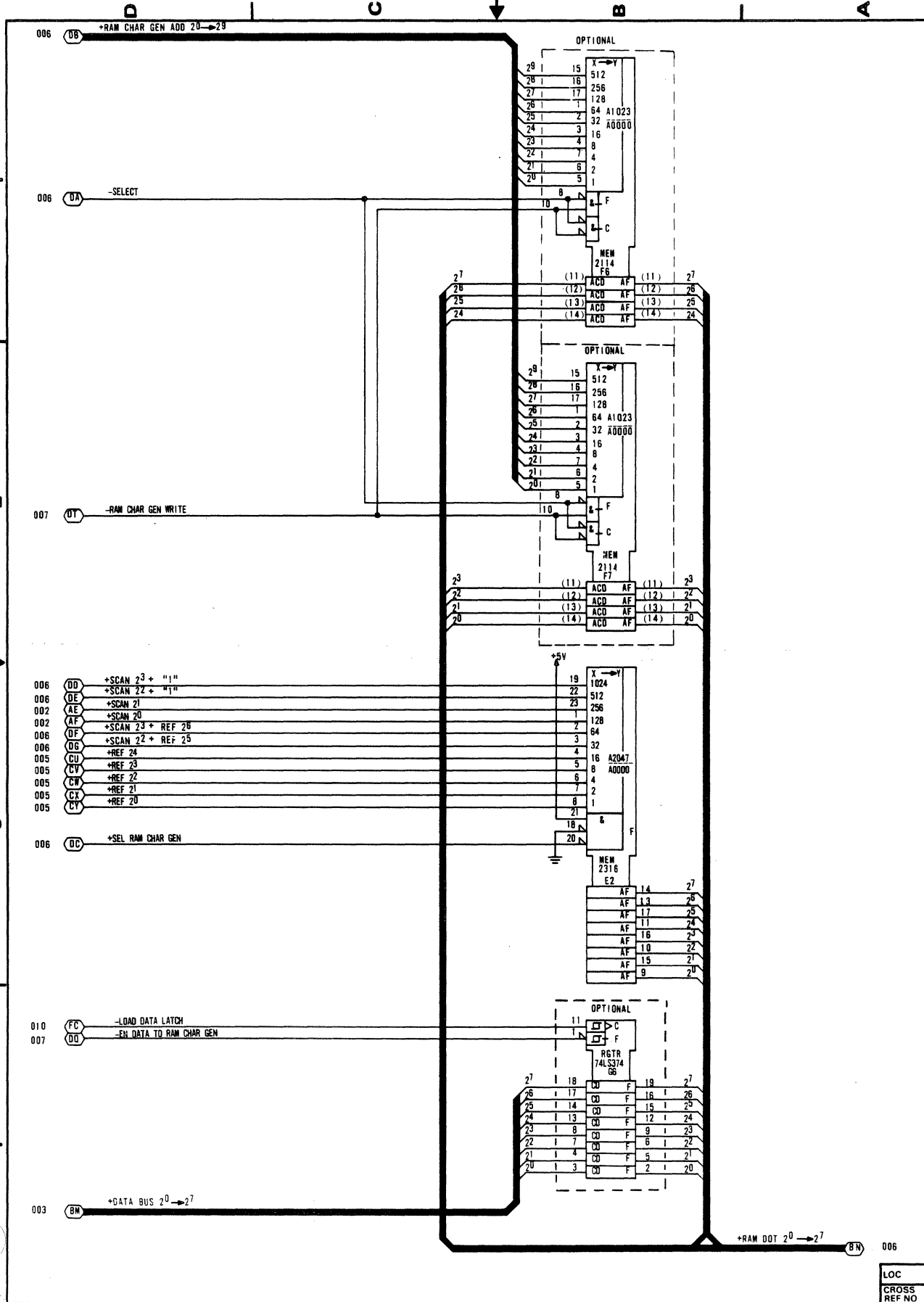


REV A  
 DWG NO 90446255  
 CROSS REF NO 003  
 SHEET 5

SCHEMATIC DIAGRAM, 9BTD  
 EXT PROG MEM, BKGD MEM  
 LCH, KYBD DATA BUS DRVR

LOC  
 CROSS REF NO 003

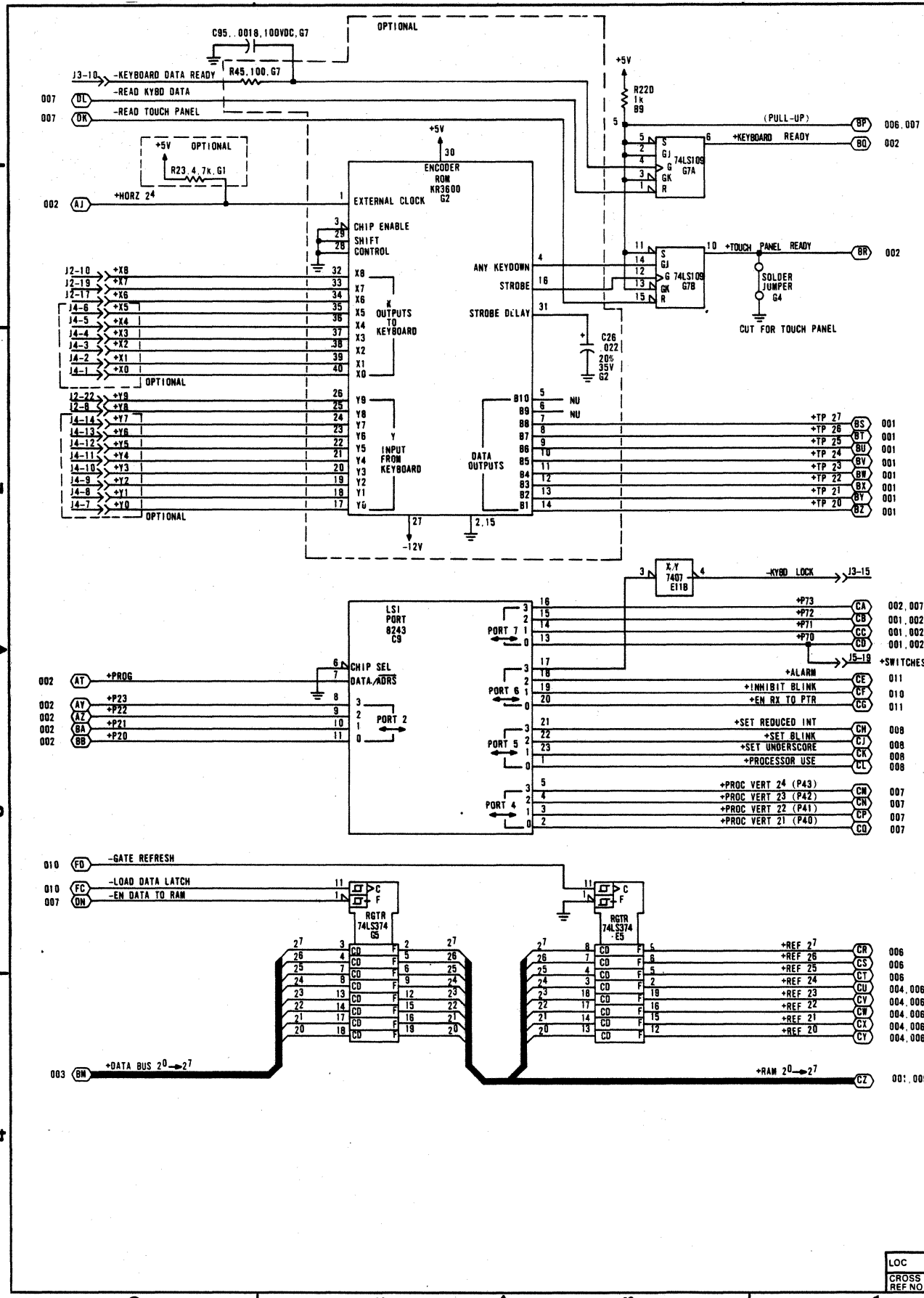
REV A  
 DWG. NO. 90446255  
 CODE IDENT. C  
 15920  
 SCHEMATIC DIAGRAM, 98TD  
 RAM CHAR GEN, ROM CHAR GEN  
 RAM CHAR GEN DATA LCH (WR)  
 CROSS REF. NO. 004  
 SHEET 6



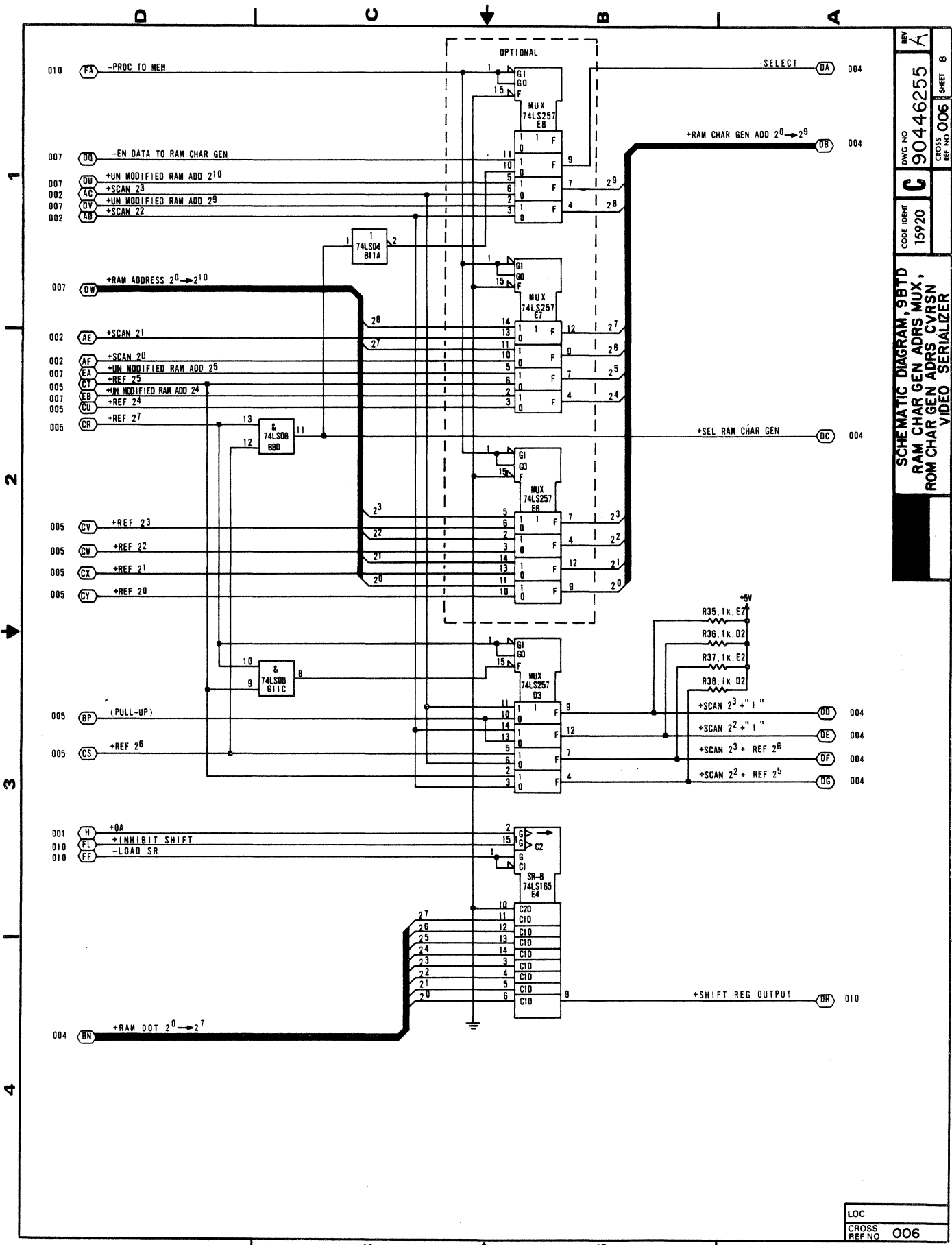
62940004

1-23

LOC  
 CROSS REF NO 004

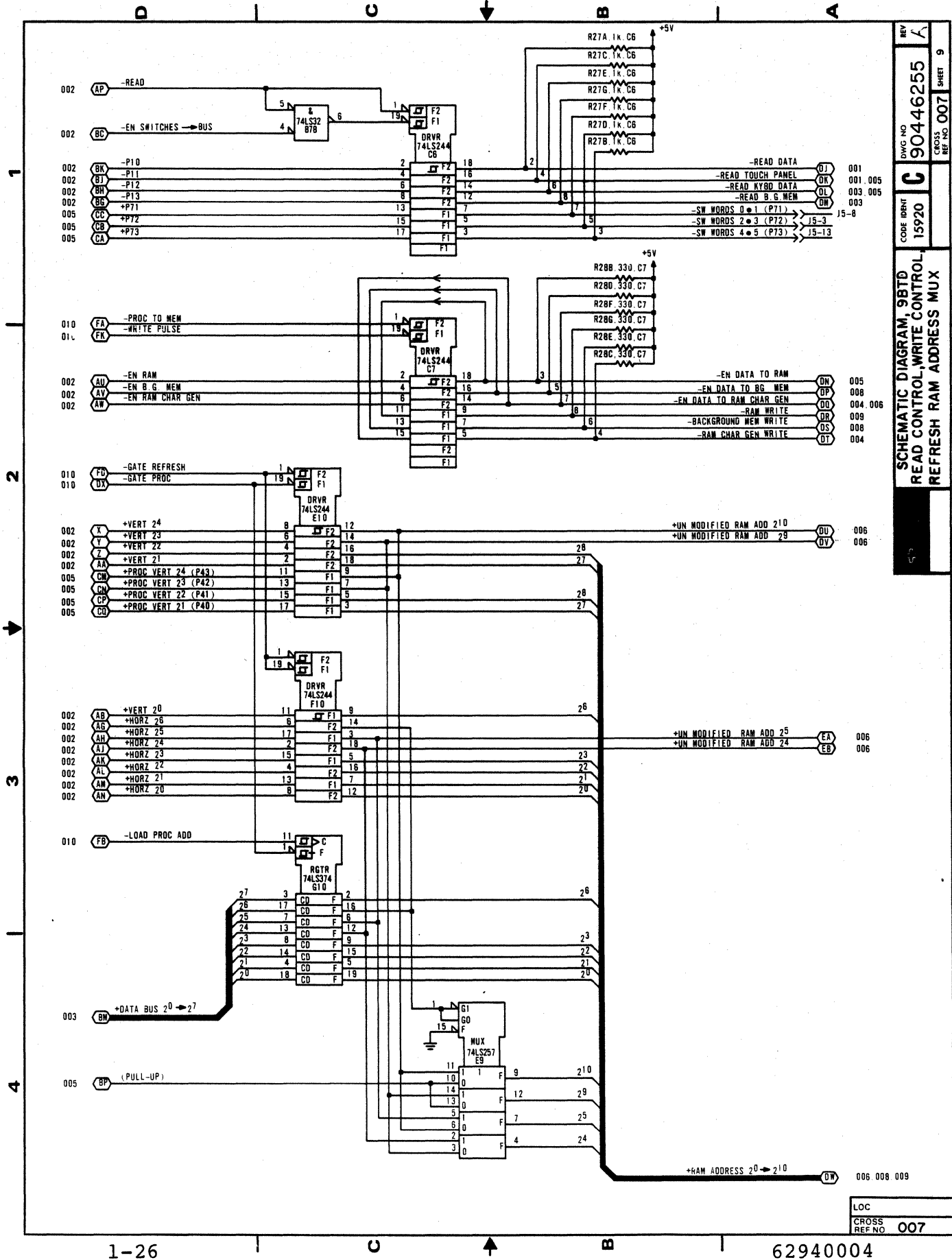


LOC  
 CROSS REF NO 005



REV A  
 DWG NO 90446255  
 CODE IDENT 15920  
 SHEET 8  
 CROSS REF NO 006  
 SCHEMATIC DIAGRAM, 9BTD  
 RAM CHAR GEN ADRS MUX,  
 ROM CHAR GEN ADRS CVFRSN  
 VIDEO SERIALIZER

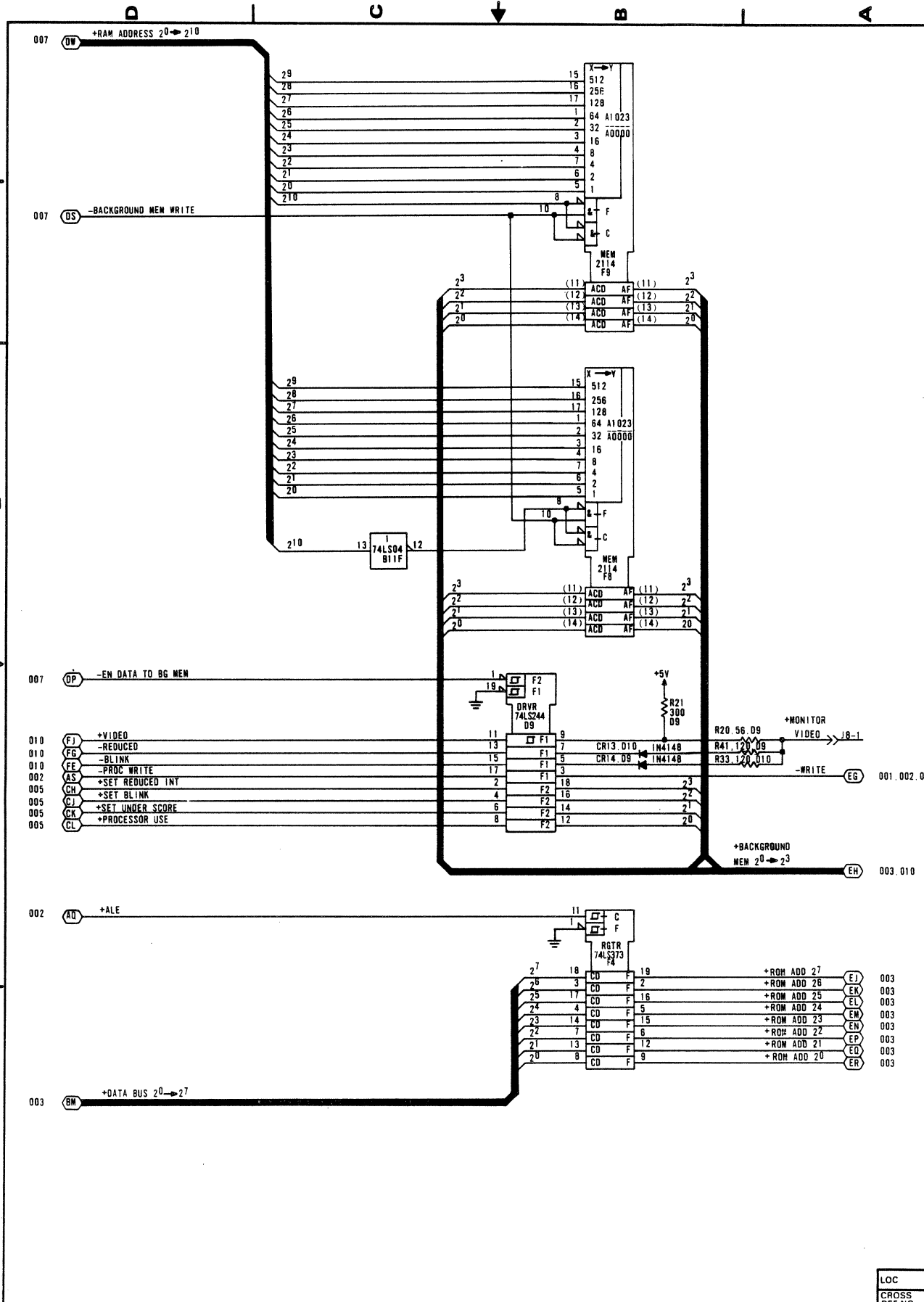
LOC  
 CROSS REF NO 006



REV A  
 DWG NO 90446255  
 CODE IDENT 15920  
 CROSS REF NO 007  
 SHEET 9  
**SCHEMATIC DIAGRAM, 9BTD**  
**READ CONTROL, WRITE CONTROL,**  
**REFRESH RAM ADDRESS MUX**

001  
 001 005  
 003 005  
 003  
 15-8  
 005  
 008  
 004 006  
 009  
 008  
 004  
 006  
 006  
 006 008 009

REV **A**  
 DWG NO **90446255**  
 CODE IDENT **C**  
 CROSS REF NO **008** SHEET **10**  
**SCHEMATIC DIAGRAM, 98TD**  
**BKGD MEM RAM & BUS DRVR,**  
**VID DRVR, EXT PROG MEM**  
**ADD LCH**

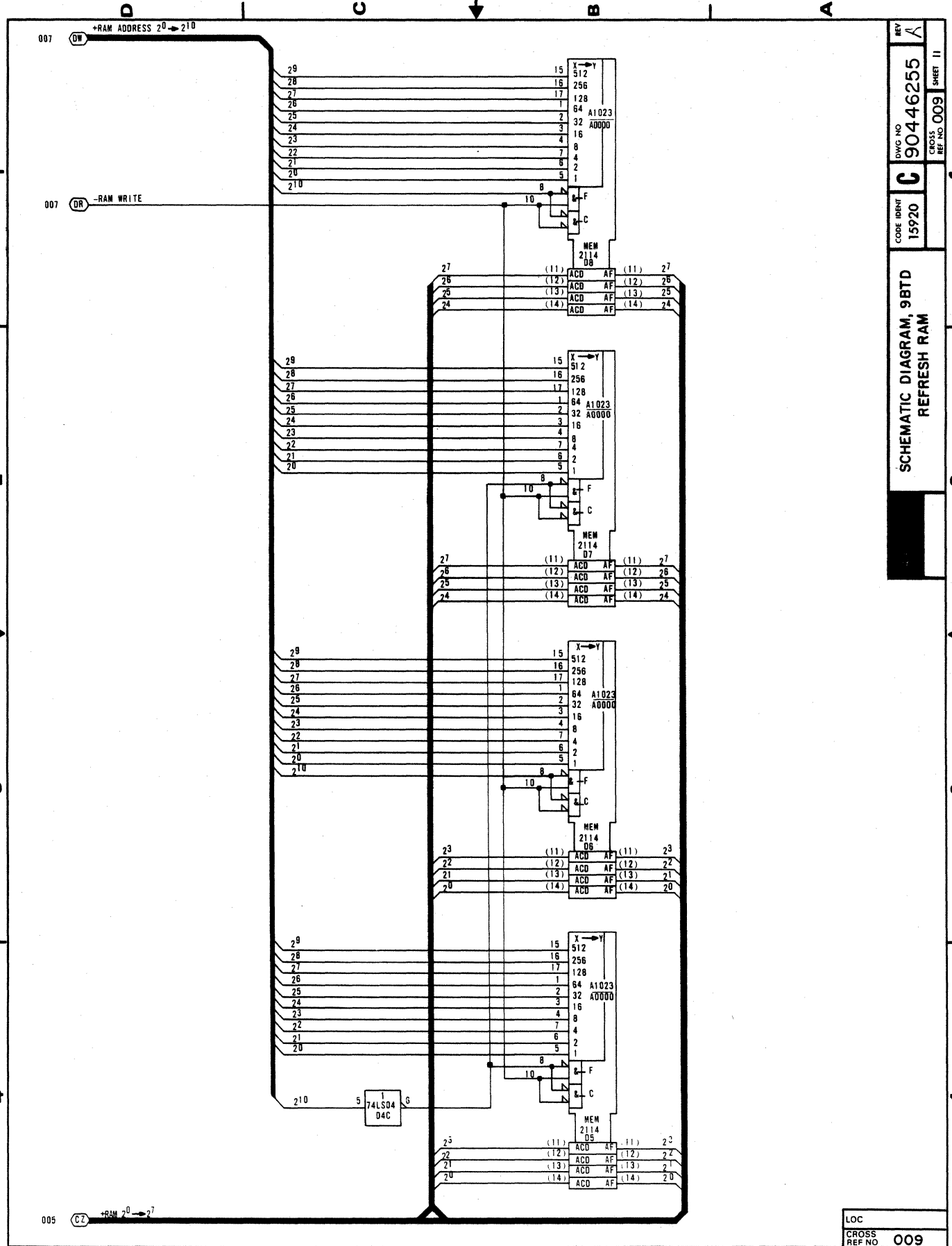


LOC  
 CROSS REF NO **008**

REV A  
 DWG NO 90446255  
 CODE IDENT C  
 15920  
 CROSS REF NO 009  
 SHEET II

**SCHEMATIC DIAGRAM, 9BTD  
 REFRESH RAM**

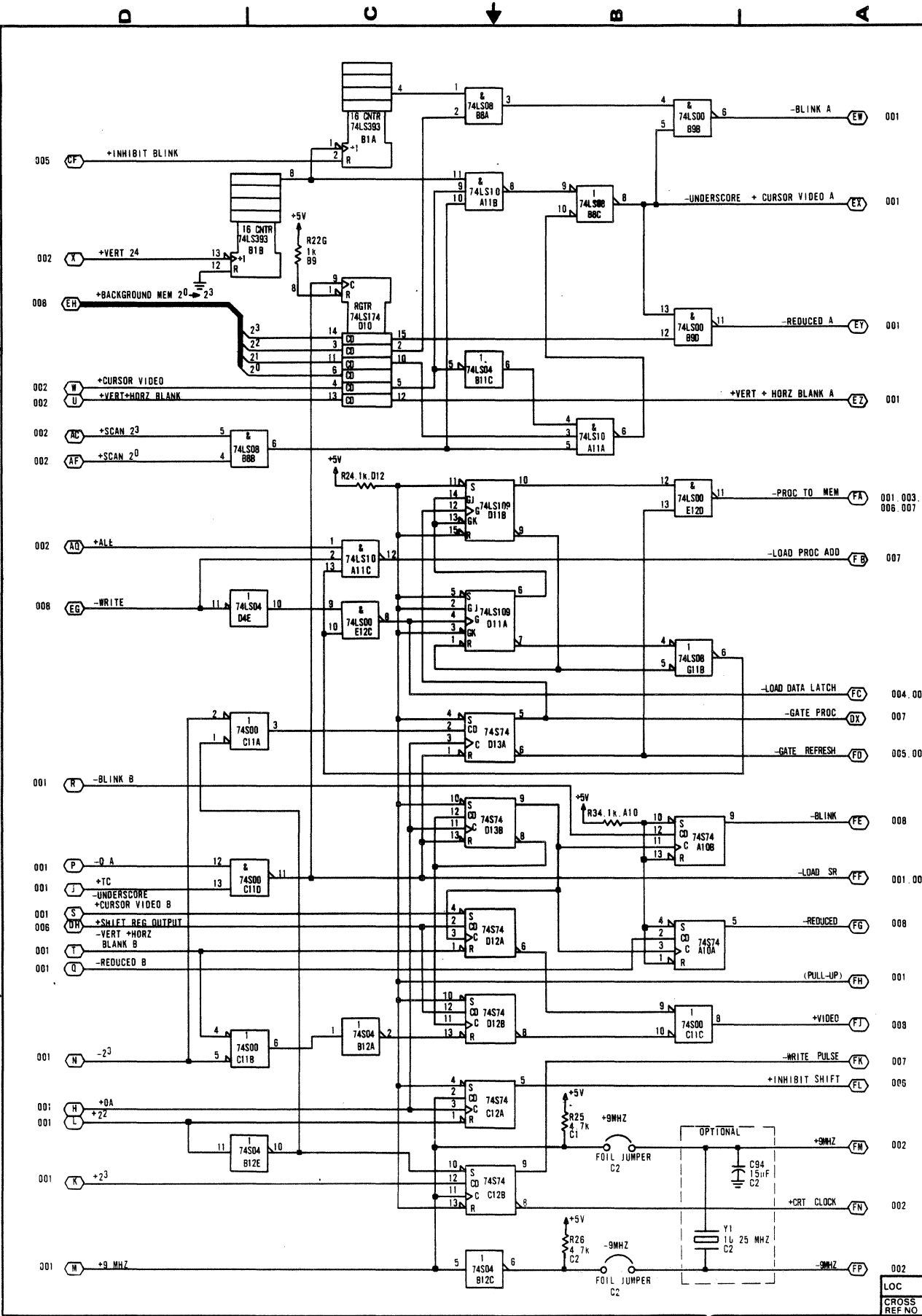
LOC  
 CROSS REF NO 009



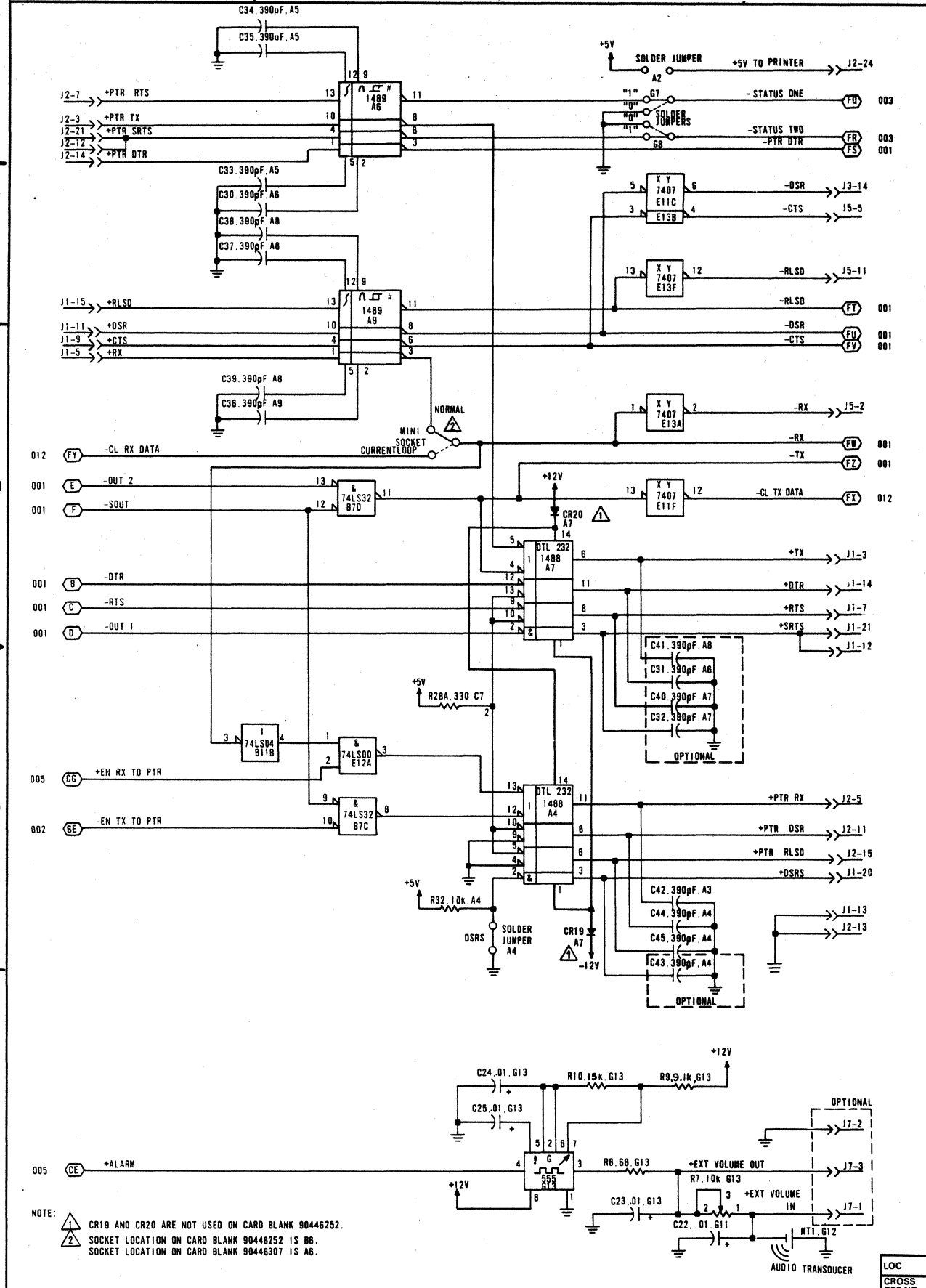
1  
 2  
 3  
 4

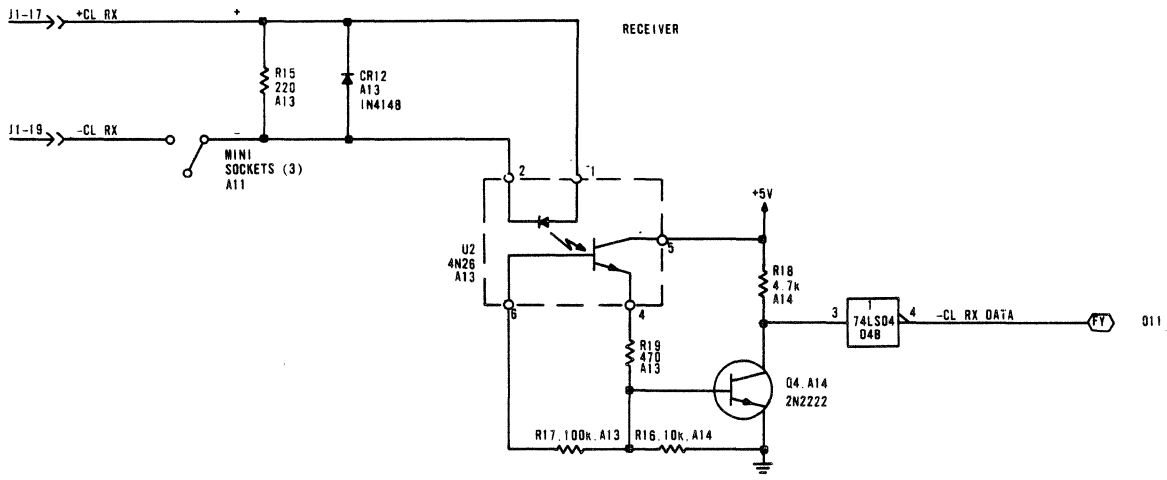
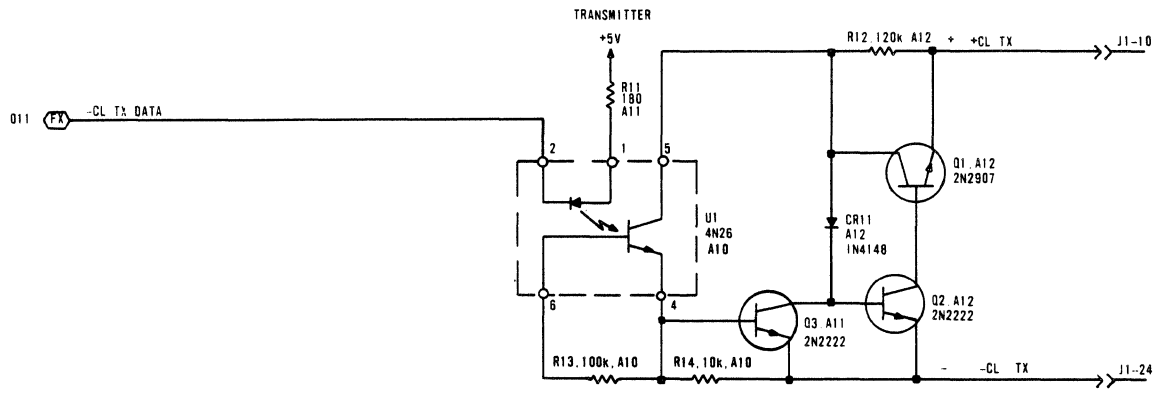
1  
 2  
 3  
 4





REV A  
 DWG NO 90446255  
 CODE IDENT 15920  
 CROSS REF. NO OIO  
 SHEET 12  
**S**  
 SCHEMATIC DIAGRAM, 98TD  
 BLINK COUNTER,  
 RAM & VIDEO CONTROL





REV F  
 DWG NO 90446255  
 CODE IDENT C  
 15920  
 CROSS REF ID 012  
 SHEET 14  
 SCHEMATIC DIAGRAM 98TD  
 CURRENT LOOP INTERFACE  
 TRANSMITTER & RECEIVER  
 (E)

LOC  
 CROSS REF NO 012



4

3

2

1

## REFRESH MEMORY (RAM) ADDRESS MAPPING

LINE (0 → 23)	CHAR POS (0 → 79)	MEM ADDRESS (HEX)
0	0 → 63	000 → 03F
0	64 → 79	600 → 60F
1	0 → 63	040 → 07F
1	64 → 79	640 → 64F
2	0 → 63	080 → 0BF
2	64 → 79	680 → 6BF
3	0 → 63	0C0 → 0FF
3	64 → 79	6C0 → 6CF
4	0 → 63	100 → 13F
4	64 → 79	700 → 70F
5	0 → 63	140 → 17F
5	64 → 79	740 → 74F
6	0 → 63	180 → 1BF
6	64 → 79	780 → 7BF
7	0 → 63	1C0 → 1FF
7	64 → 79	7C0 → 7CF
8	0 → 63	200 → 23F
8	64 → 79	800 → 83F
9	0 → 63	240 → 27F
9	64 → 79	840 → 87F
10	0 → 63	280 → 2BF
10	64 → 79	880 → 8BF
11	0 → 63	2C0 → 2FF
11	64 → 79	900 → 93F
12	0 → 63	300 → 33F
12	64 → 79	940 → 97F
13	0 → 63	340 → 37F
13	64 → 79	980 → 9BF
14	0 → 63	380 → 3BF
14	64 → 79	9C0 → 9FF
15	0 → 63	3C0 → 3FF
15	64 → 79	A00 → A3F
16	0 → 63	400 → 43F
16	64 → 79	A40 → A7F
17	0 → 63	440 → 47F
17	64 → 79	A80 → ABF
18	0 → 63	480 → 4BF
18	64 → 79	AC0 → AFF
19	0 → 63	4C0 → 4FF
19	64 → 79	B00 → B3F
20	0 → 63	500 → 53F
20	64 → 79	B40 → B7F
21	0 → 63	540 → 57F
21	64 → 79	B80 → BBF
22	0 → 63	580 → 5BF
22	64 → 79	BC0 → BFF
23	0 → 63	5C0 → 5FF
23	64 → 79	C00 → C3F

NOTE: THIS ADDRESSING VALID ONLY IF SCREEN IS NOT SCROLLED

SHEET REVISION STATUS					REVISION RECORD											
REV	CO	DESCRIPTION	DRFT	DATE	CHKD	APP	REV	CO	DESCRIPTION	DRFT	DATE	CHKD	APP			
5	4	3	2	1												
					A	A	A	A	A		13471-79	RELEASED CLASS "A"		5-19-80		MeL
					B	B	B	B	B		14262	REVISED PER ECO		NOV 11-80		WJG

D

C

B

A

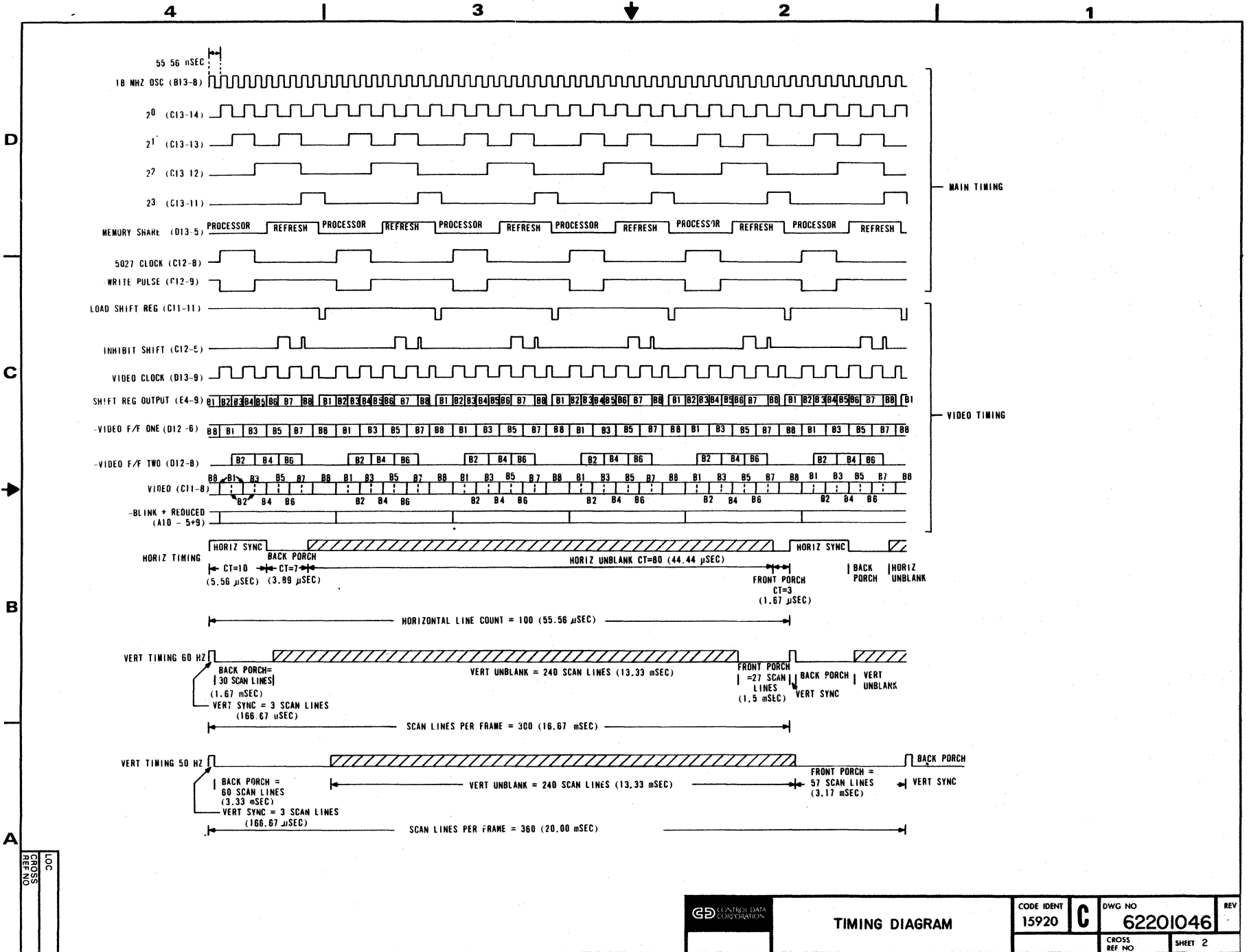
62940004 J

1-30.3

REFERENCE DRAWING				CONTROL DATA		TITLE	
SCHEM. DIAG. 98TD, 90446157				FIRST USED ON		LOGIC SUPPORT DOCUMENT	
SCHEM. DIAG. 98TD, 90446255				CC628A		VIKING - TTY	
COMPONENTS, EXCEPT AS NOTED				DWN	Mary Dietz	4-28-80	
TOLERANCE				CHKD	W. J. G.	5-5-80	
VALUE				ENGR	W. J. G.	5-5-80	
RATING				MFG	W. J. G.	5-19-80	
RES				APPR	W. J. G.	5-9-80	
CAP				SCALE		CROSS REF. NO.	
						DRAWING NO. 62201046	
						SHEET 1 OF 5	

1-30.4

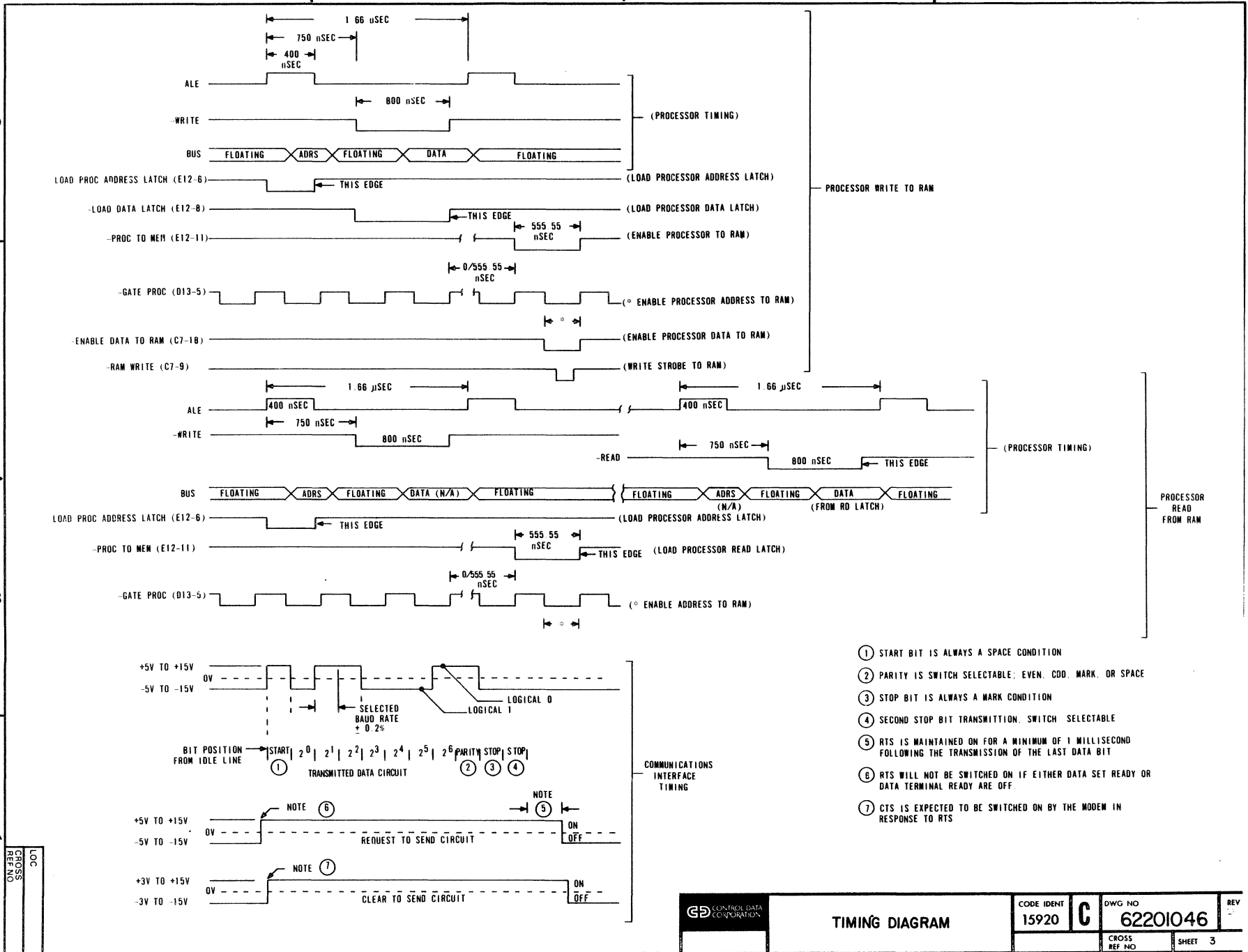
62940004 J



TIMING DIAGRAM

CODE IDENT 15920	C	DWG NO 62201046	REV
CROSS REF NO		SHEET 2	

D  
C  
B  
A

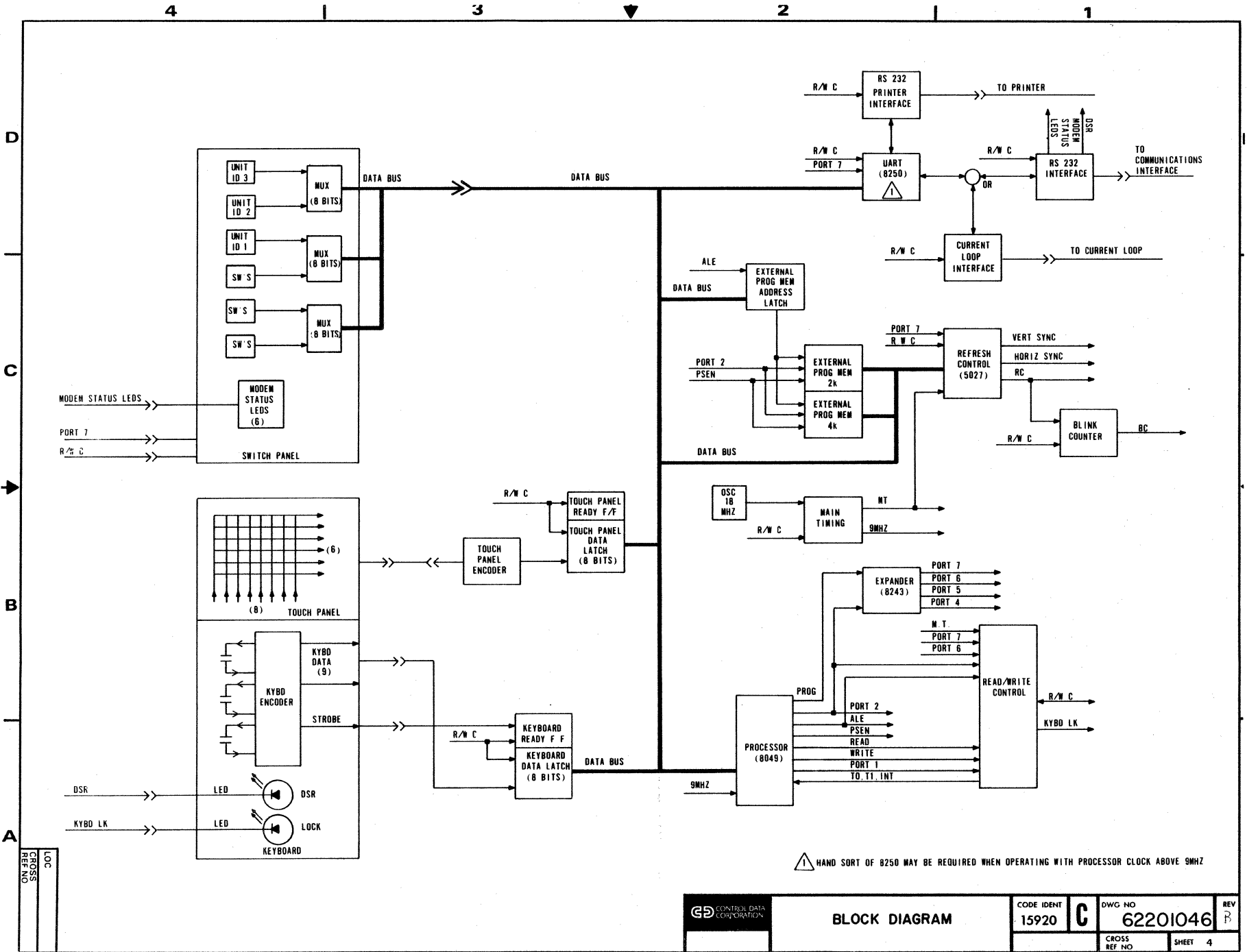


TIMING DIAGRAM

CODE IDENT 15920	OWG NO C	REV 62201046
CROSS REF NO	SHEET 3	

1-30.6

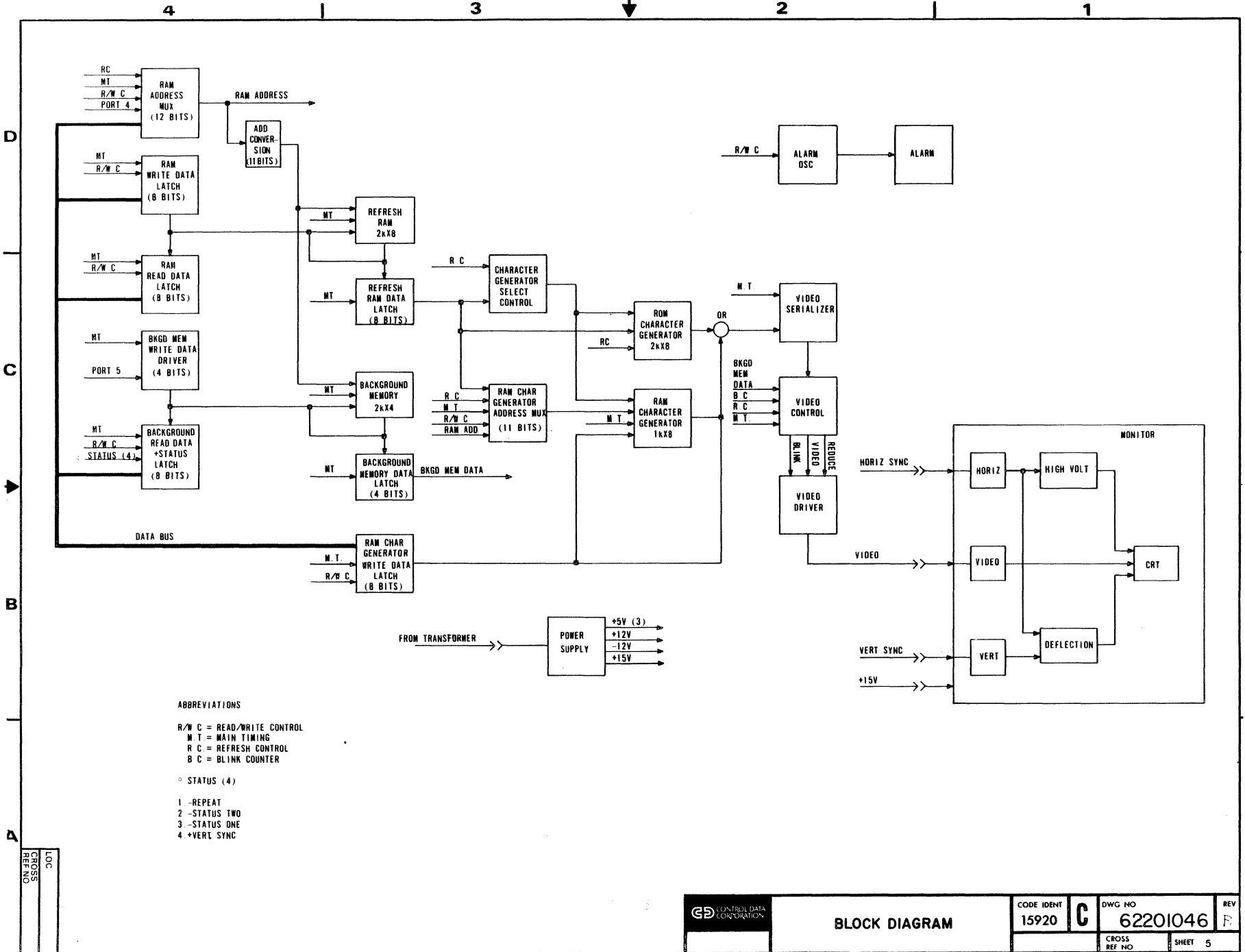
62940004 J





62940004 J

1-31



LOC	
CROSS REF NO	

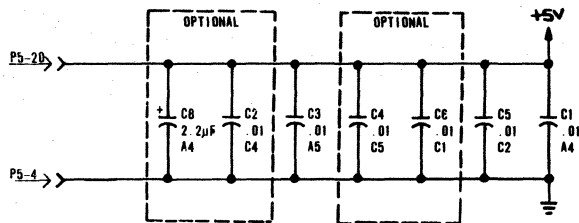
	<b>BLOCK DIAGRAM</b>	CODE IDENT <b>15920</b>	DWG NO <b>62201046</b>	REV <b>F</b>
			CROSS REF NO SHEET 5	

1-32

C

B

62940004



SHEET REVISION STATUS				REVISION RECORD					
REV	CO	DESCRIPTION	DRFT	DATE	CHKD	APP			
00	00	00	60004-16	RELEASED CLASS "B"		11/9/79			
01	01	50910		REVISED PER ELO	P.T	11/5/79			
02	02	51002		REVISED PER ELO	P.#	2-8-80			
A	A	A	1347-72	RELEASED CLASS "A"		7/26/80			
B	B	B	14105	REVISED PER ELO	MD	6-17-80			

NOTES

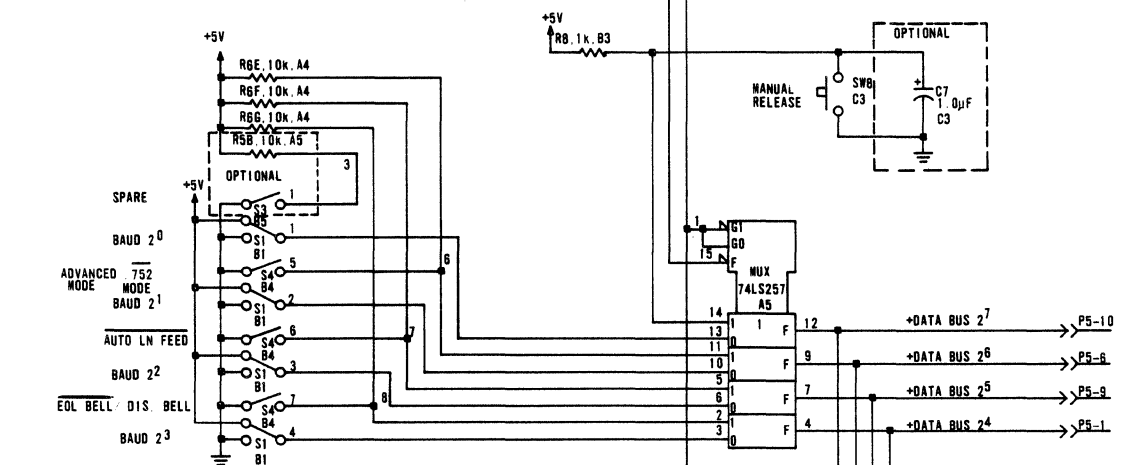
- UNLESS OTHERWISE SPECIFIED POWER AND GROUND PINS OF INTEGRATED CKTS ARE AS LISTED BELOW:  
 14 PIN INTEGRATED CKTS; PIN 14 = +5V, PIN 7 = GND.  
 18 PIN INTEGRATED CKTS; PIN 16 = +5V, PIN 8 = GND.  
 24 PIN INTEGRATED CKTS; PIN 24 = +5V, PIN 12 = GND.

REFERENCE DRAWING		TITLE	
BOARD DETAIL 90446155	BOARD ASSY 90446156	SCHEMATIC DIAGRAM, 98SD	
FIRST USED ON	CC628	CODE IDENT	DRAWING NO
DWN	E ERSFELD 9/23/75	15920	C 90446154
CHKD	MDP 11-6-79		
ENGR	APB 11-6-79		
MFG	3-11-80		
APP	E. N. H. 3-11-80		
COMPONENTS, EXCEPT AS NOTED		SCALE	CROSS REF NO
RES	5% 1/4W		
CAP	+10% 25V		
SHEET 1 OF 3			

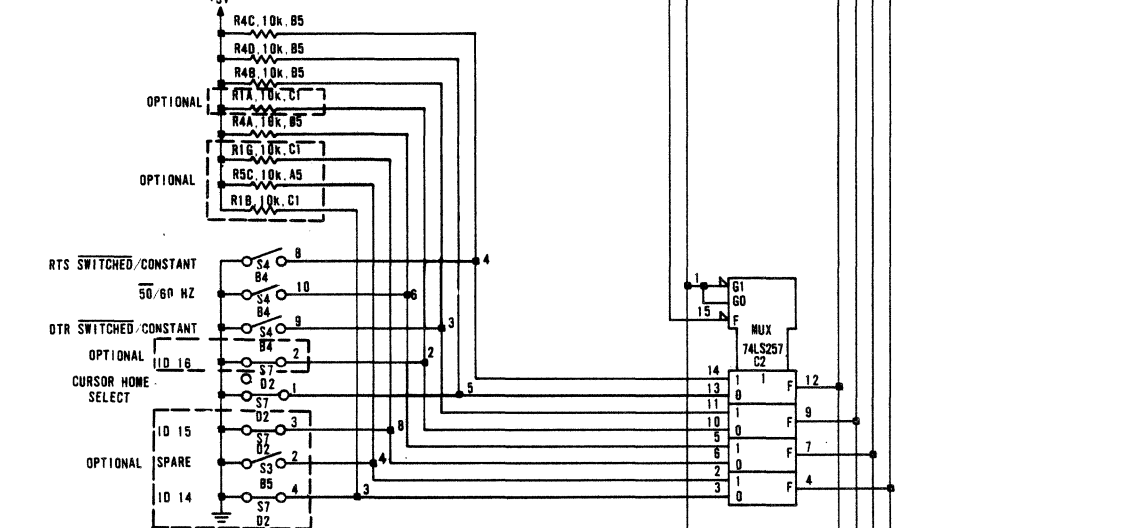
90446154

A

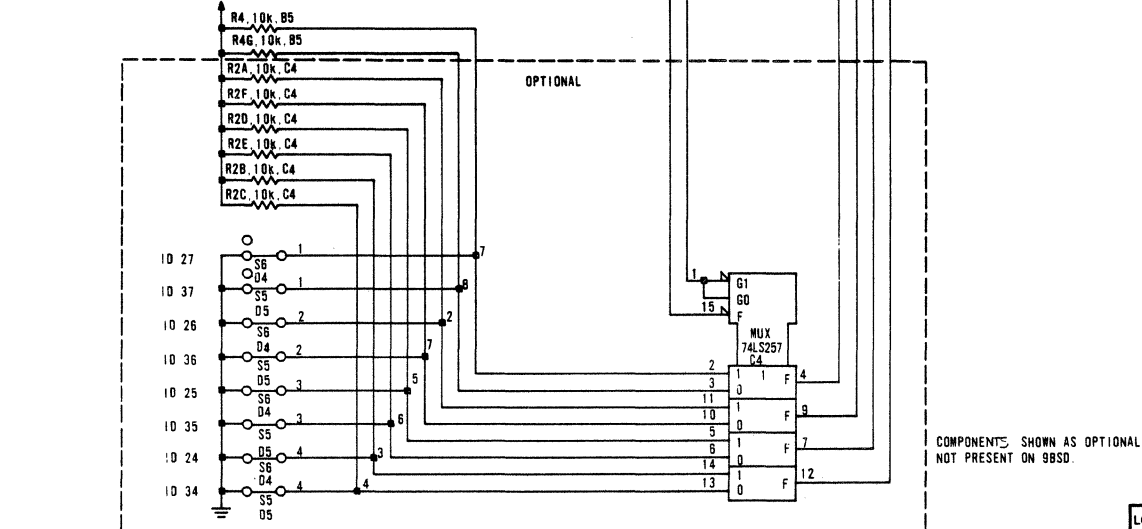
P5-19 → +SWITCHES ODD (P70)  
 P5-8 → -SWITCHES WORDS 0+1 (P71)



P5-3 → -SWITCHES WORDS 2+3 (P72)



P5-13 → SWITCHES WORDS 4+5 (P73)



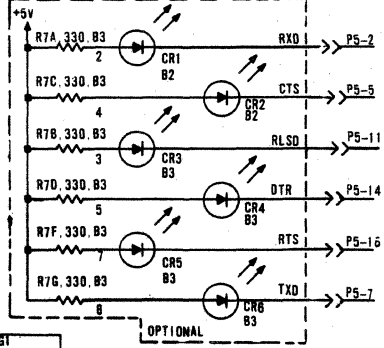
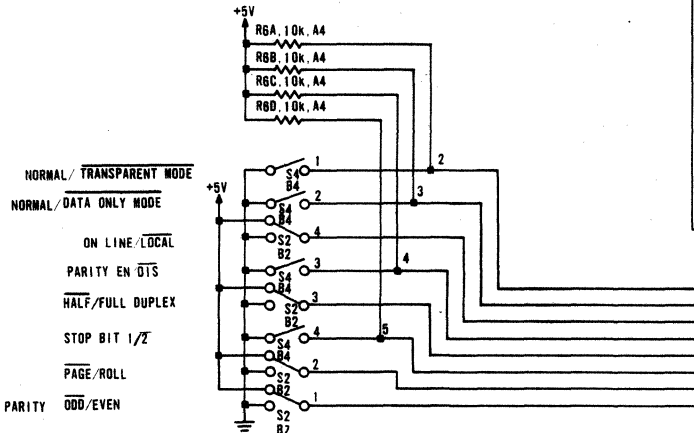
COMPONENTS SHOWN AS OPTIONAL  
 NOT PRESENT ON 98SD.

REV 90446154 B  
 DWG NO 90446154 B  
 CODE IDENT 15920  
 CROSS REF NO 000  
 SHEET 2

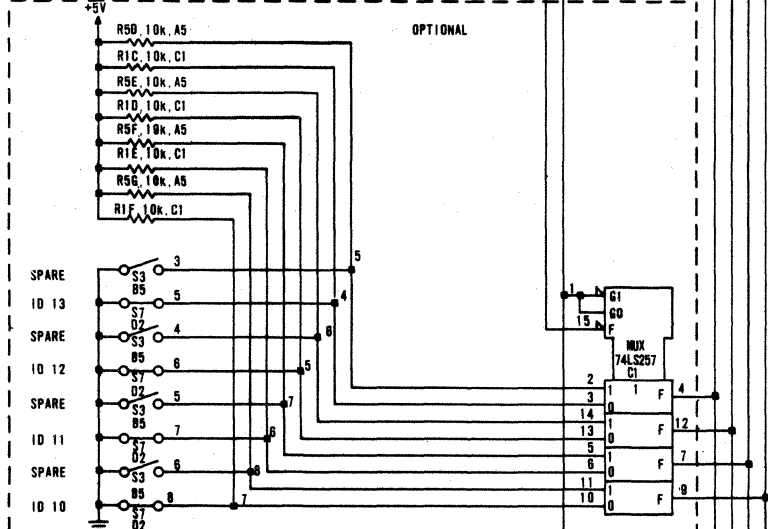
SCHEMATIC DIAGRAM, 98SD

CS

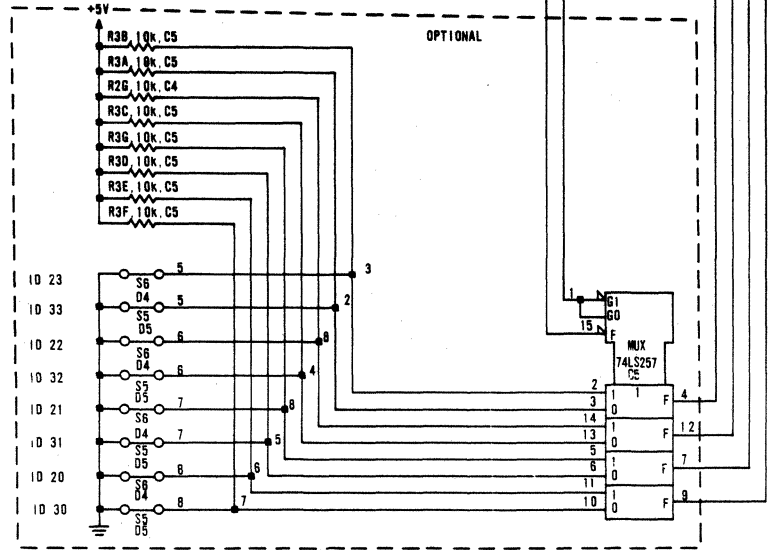
000 A +SWITCHES ODD (P70)  
 000 B -SWITCHES WORDS 0+1 (P71)



000 C -SWITCHES WORDS 2+3 (P72)



000 D -SWITCHES WORDS 4+5 (P73)



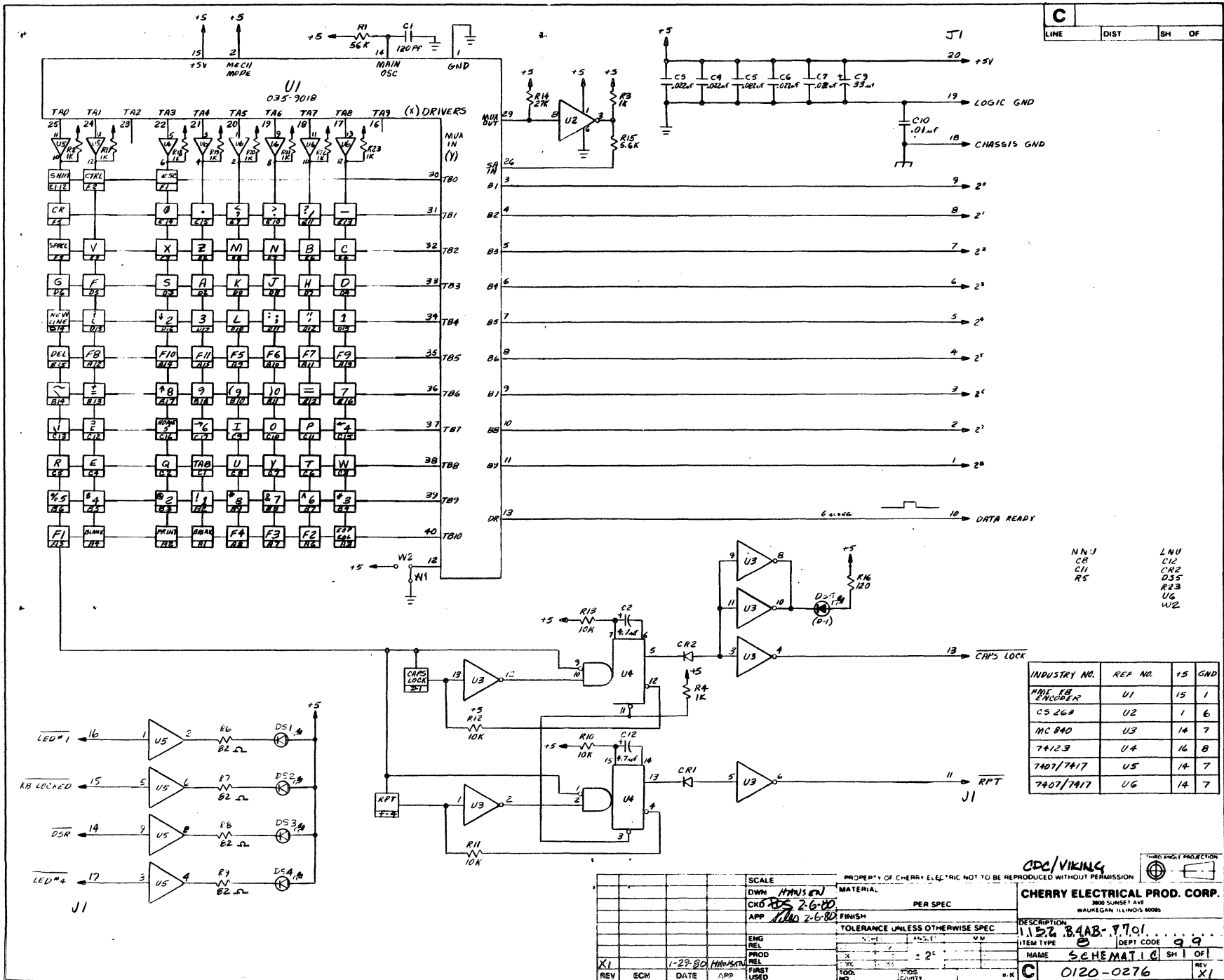
COMPONENTS SHOWN AS OPTIONAL  
 NOT PRESENT ON 9BSD

REV B  
 DWG NO 90446154  
 CROSS REF NO 001 SHEET 3  
 CODE IDENT C 15920  
 SCHEMATIC DIAGRAM, 9BSD

LOC  
 CROSS REF NO 001

62940004

1-35



C			
LINE	DIST	SH	OF

- NN/J
- CB
- CH
- RS
- LNU
- C12
- CR2
- D32
- R23
- UG
- W2

INDUSTRY NO.	REF NO.	15	GND
NMI PB ENCODER	U1	15	1
C5 26#	U2	1	6
MC 840	U3	14	7
74123	U4	16	8
7407/7417	U5	14	7
7407/7417	U6	14	7

ODC/VIKING

THIRD ANGLE PROJECTION

PROPERTY OF CHERRY ELECTRIC NOT TO BE REPRODUCED WITHOUT PERMISSION

CHERRY ELECTRICAL PROD. CORP.  
3000 SUNSET AVE  
WAUKEGAN ILLINOIS 60086

DESCRIPTION: 1.526.84AB-1701

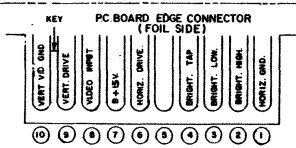
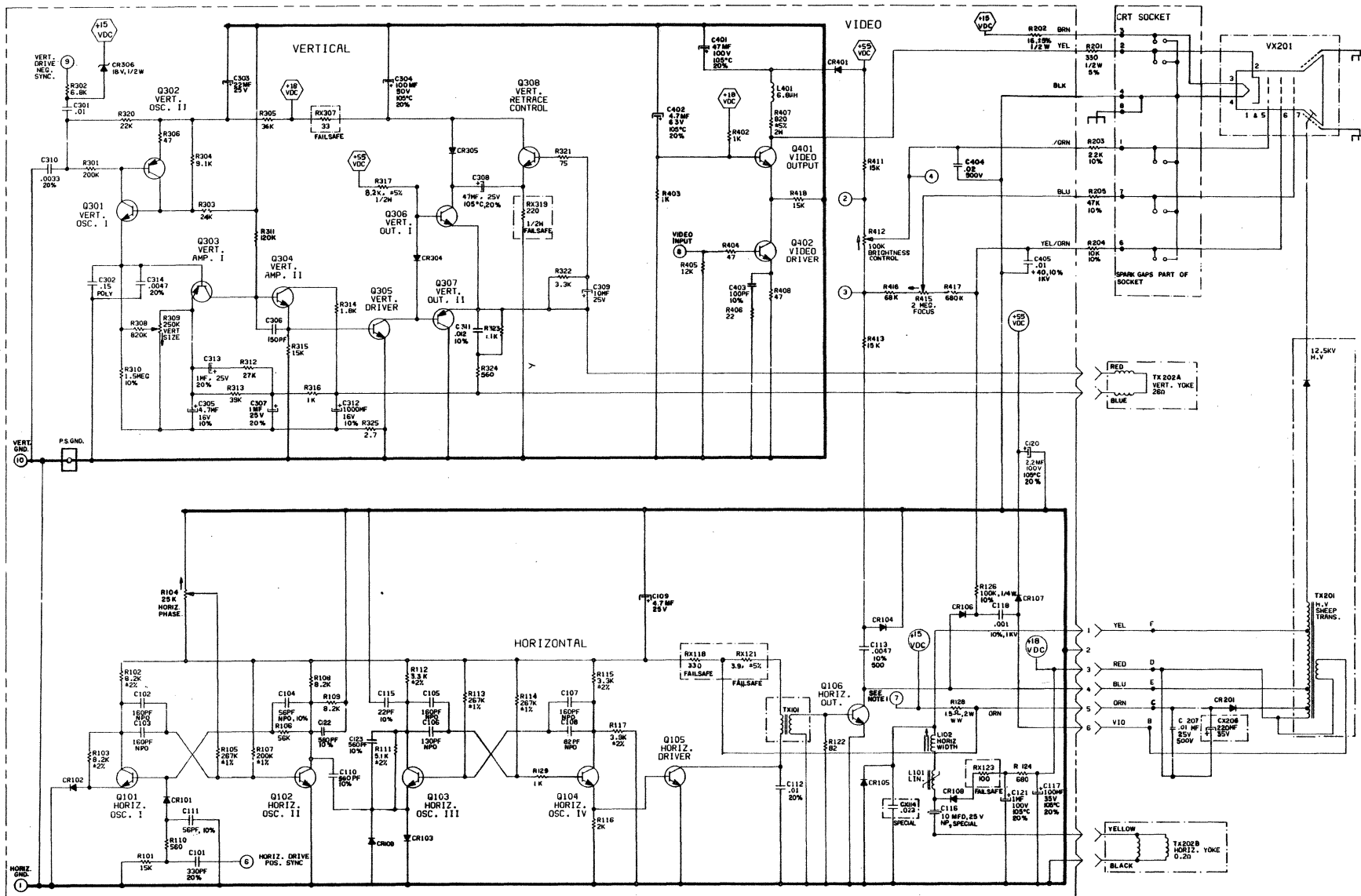
ITEM TYPE: DEPT CODE: 99

NAME: SCHEMATIC SH 1 OF 1

REV: 0120-0276

REV: X1

REV	ECN	DATE	APP	SCALE	PER SPEC	TOLERANCE UNLESS OTHERWISE SPEC	FINISH	ENG REL	PROD REL	FIRST USED
X1		1-29-80	HANSEN							

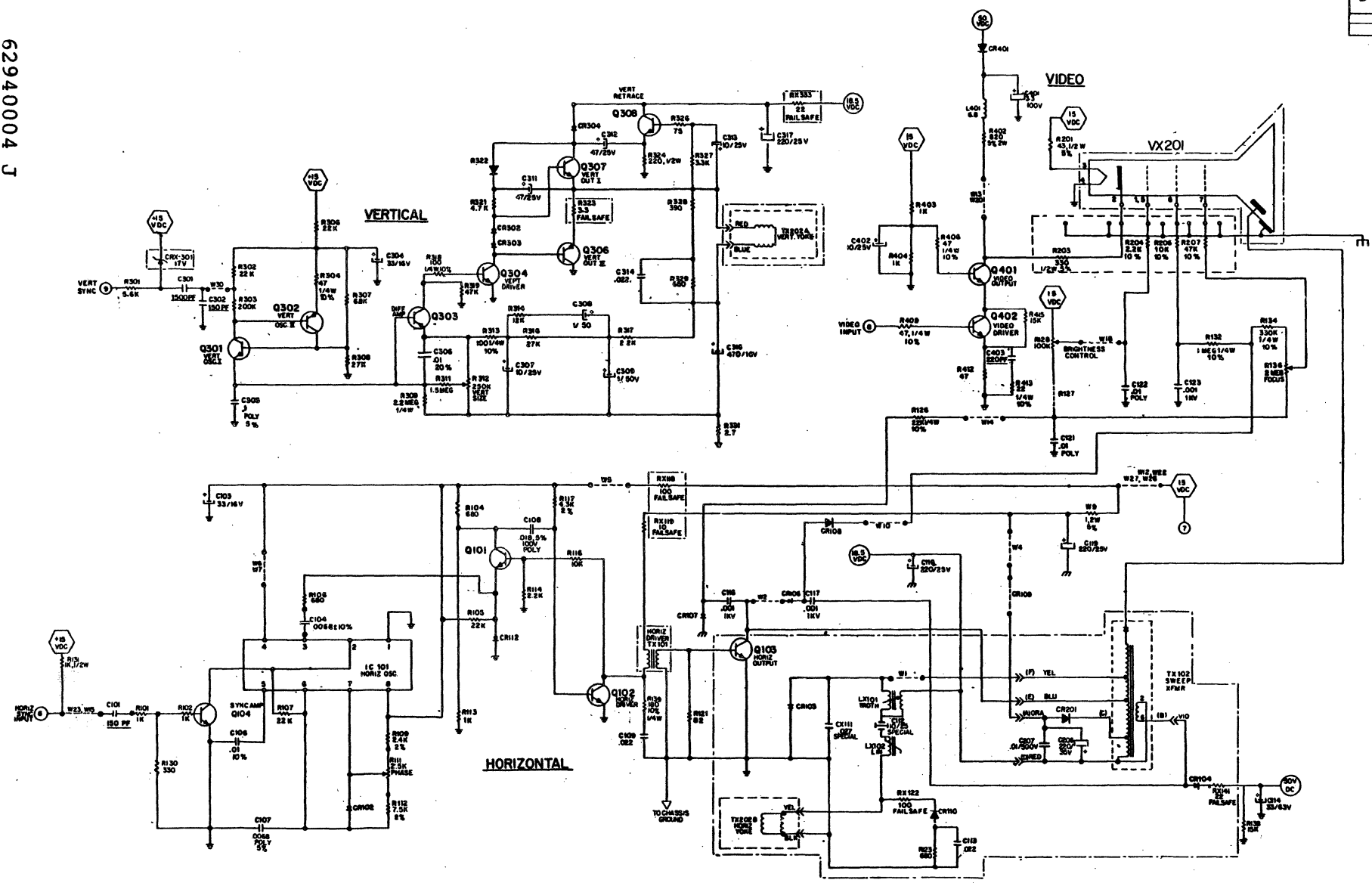


○ = DC VOLTAGE SOURCE  
 ◡ = DC VOLTAGE APPLIED  
 NOTE 1: CUSTOMER SUPPLIED EXTERNAL DC SOURCE ON PIN 7 EDGE CONNECTOR

SAMPLES OF NEW OR REVISED PART MUST BE APPROVED BY ZENITH RADIO CORPORATION BEFORE PROCEEDING WITH PRODUCTION, UNLESS OTHERWISE SPECIFIED. IN CHANGE ORDERS AFTER APPROVAL MAY BE MADE AND NOT CHANGE THE DESIGN PERFORMANCE MATERIALS OR MANUFACTURING SITE WITHOUT PRIOR NOTIFICATION AND APPROVAL BY ZENITH RADIO CORPORATION.

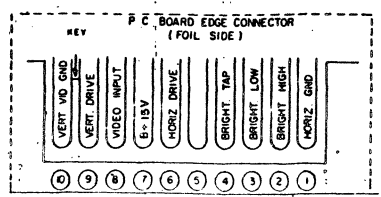
D 123-5590  
 MUST PASS THE FOLLOWING SPECIFICATIONS  
 OTHER: None

62940004 J



REVISIONS  
 1.1  
 1.2  
 1.3  
 1.4  
 1.5  
 1.6  
 1.7  
 1.8  
 1.9  
 2.0  
 2.1  
 2.2  
 2.3  
 2.4  
 2.5  
 2.6  
 2.7  
 2.8  
 2.9  
 3.0  
 3.1  
 3.2  
 3.3  
 3.4  
 3.5  
 3.6  
 3.7  
 3.8  
 3.9  
 4.0  
 4.1  
 4.2  
 4.3  
 4.4  
 4.5  
 4.6  
 4.7  
 4.8  
 4.9  
 5.0  
 5.1  
 5.2  
 5.3  
 5.4  
 5.5  
 5.6  
 5.7  
 5.8  
 5.9  
 6.0  
 6.1  
 6.2  
 6.3  
 6.4  
 6.5  
 6.6  
 6.7  
 6.8  
 6.9  
 7.0  
 7.1  
 7.2  
 7.3  
 7.4  
 7.5  
 7.6  
 7.7  
 7.8  
 7.9  
 8.0  
 8.1  
 8.2  
 8.3  
 8.4  
 8.5  
 8.6  
 8.7  
 8.8  
 8.9  
 9.0  
 9.1  
 9.2  
 9.3  
 9.4  
 9.5  
 9.6  
 9.7  
 9.8  
 9.9  
 10.0

1-37



○ = DC VOLTAGE SOURCE  
 ⬡ = DC VOLTAGE APPLIED  
 NOTE: CUSTOMER SUPPLIED EXTERNAL PIN 7 EDGE CONNECTOR

123-5590-07 SHEET 16

REFERENCE ONLY  
 DOT 261993

DATE	BY	APP'D	REV.
30 Oct 81			
SCHEMATIC FOR DS12 VIDEO DISPLAY 18.6 MHZ HORIZ. SCAN FREQ.			
ZENITH RADIO CORP	CHICAGO ILL	123-5590	





The section contains genealogies, source control drawings, and assembly drawings with associated parts lists for the display terminal.

Table 2-1 explains the column headings for the computer-generated assembly parts lists.

TABLE 2-1. EXPLANATION OF COLUMN HEADINGS OF COMPUTER-GENERATED ASSEMBLY PARTS LISTS

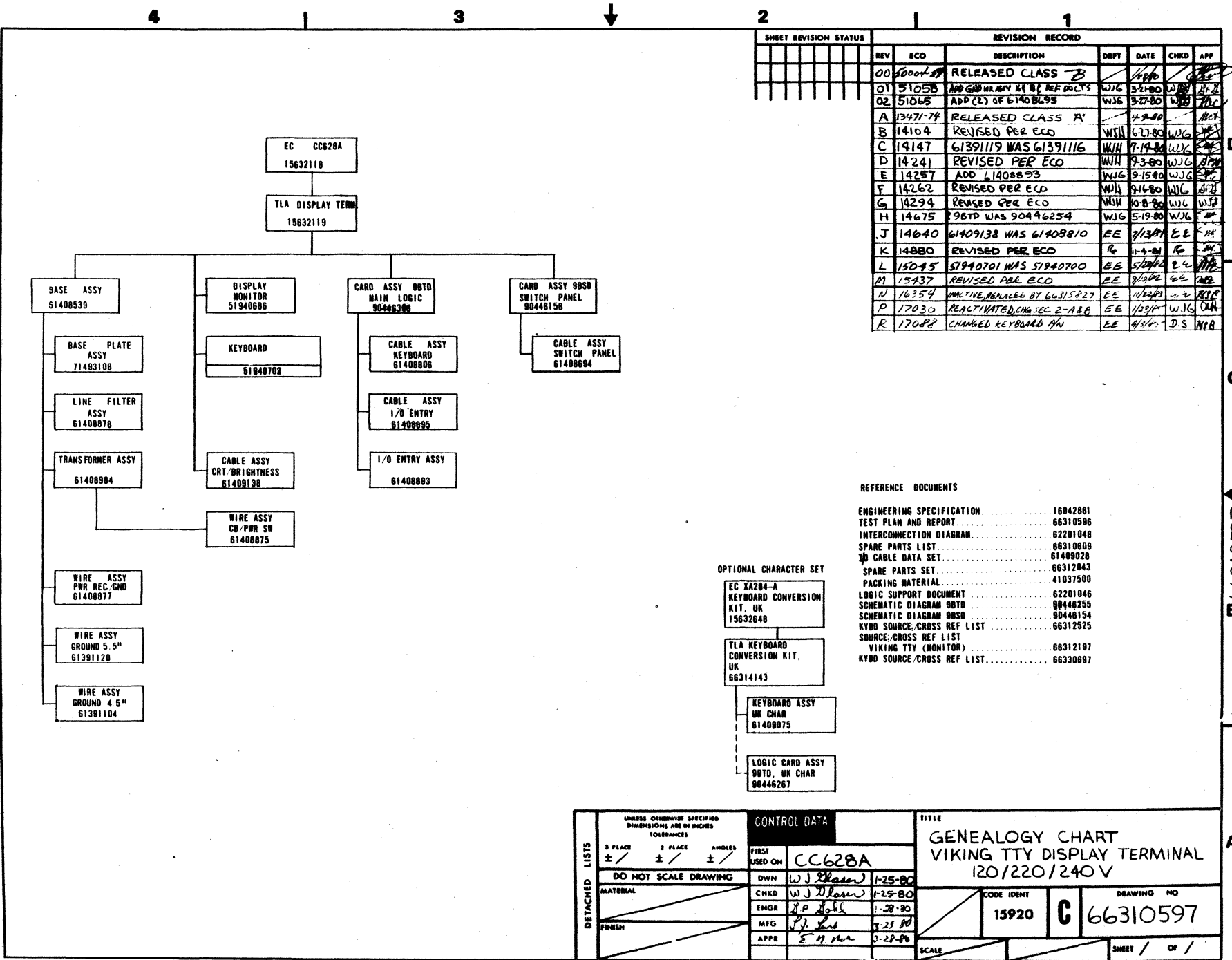
COLUMN HEADING	EXPLANATION
FIND NO.	Identifies an electrical or mechanical part on an assembly drawing. If more than one listing appears for a find number, refer to LI, WK IN, and WK OUT.
LI (Line Item)	Gives a chronological or historical record of the addition of a new part to a find number. For example, 01 indicates that the part was the first one used, and 02 indicates the second, etc. See also WK IN and WK OUT.
PART NUMBER	Gives the Control Data Corporation part identification. Use this number when ordering replacements.
CD (Check Digit)	Gives the information-control system a means of cross-checking the correctness of a part number.
QUANTITY	Lists the total number of a part required to complete an assembly. The vertical line near the center of the column acts as a decimal point. Numbers to the left of the line are whole numbers. Those to the right of the line are tenths, hundredths, and thousandths.
U/M (Unit of Measure)	Indicates how the information-control system counts or supplies a part.
PART DESCRIPTION	Describes the physical appearance, type, or name of a part.
MC (Material Code)	Supplies additional descriptive data to the information-control system.
YLD (Yield)	A 2-digit number that indicates the usable portion of any quantity of parts expressed as a percentage.
ECO NO. IN	Engineering Change Order that adds a new part to an assembly. See also WK IN.
ECO NO. OUT	Engineering Change Order that deletes a part from an assembly. See also WK OUT.
S/N (Serial Number)	Used to specify an ECO's effectivity by serial number.
WK IN (Week In)	Lists the date when manufacturing begins using a new part and when it is available for parts replacement. For example, 7222 means a part is available of the 22nd week of 1972.
WK OUT (Week Out)	Lists the date when manufacturing no longer uses a part in building an assembly. See also WK IN. Do not order a part after its week-out date.

0643-2A

2-2

62940004 L

D  
C  
B  
A

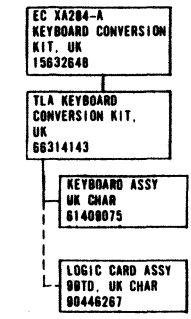


SHEET REVISION STATUS			REVISION RECORD					
REV	ECO		DESCRIPTION	DRFT	DATE	CHKD	APP	
00	6000		RELEASED CLASS B					
01	51055		ADD GND WIRE AT 82 REF DOLTS	WJG	5-21-80	WJG	WJG	
02	51065		ADD (2) OF 61408L95	WJG	5-27-80	WJG	WJG	
A	13471-74		RELEASED CLASS A		4-2-80		WJG	
B	14104		REVISED PER ECO	WJG	6-27-80	WJG	WJG	
C	14147		61391119 WAS 61391116	WJG	7-19-80	WJG	WJG	
D	14241		REVISED PER ECO	WJG	9-3-80	WJG	WJG	
E	14257		ADD 61408B93	WJG	9-15-80	WJG	WJG	
F	14262		REVISED PER ECO	WJG	9-16-80	WJG	WJG	
G	14294		REVISED PER ECO	WJG	10-8-80	WJG	WJG	
H	14675		98TD WAS 90496254	WJG	5-19-80	WJG	WJG	
J	14640		61409138 WAS 61408910	EE	7/3/81	EE	WJG	
K	14880		REVISED PER ECO	Re	11-4-81	Re	WJG	
L	15045		51940701 WAS 51940700	EE	5/20/82	EE	WJG	
M	15437		REVISED PER ECO	EE	9/10/82	EE	WJG	
N	16254		MULTIPLE REPLACES BY 66315827	EE	1/22/83	EE	WJG	
P	17030		REACTIVATED, CHG SEC 2-A&B	EE	1/23/84	WJG	WJG	
R	17082		CHANGED KEYBOARD H41	EE	4/24/84	D.S	WJG	

REFERENCE DOCUMENTS

ENGINEERING SPECIFICATION	16042061
TEST PLAN AND REPORT	66310596
INTERCONNECTION DIAGRAM	62201048
SPARE PARTS LIST	66310609
10 CABLE DATA SET	61408028
SPARE PARTS SET	66312043
PACKING MATERIAL	41037500
LOGIC SUPPORT DOCUMENT	62201046
SCHEMATIC DIAGRAM 98TD	90448255
SCHEMATIC DIAGRAM 98SD	90446154
KYBD SOURCE/CROSS REF LIST	66312925
SOURCE/CROSS REF LIST	
VIKING TTY (MONITOR)	66312197
KYBD SOURCE/CROSS REF LIST	66330697

OPTIONAL CHARACTER SET



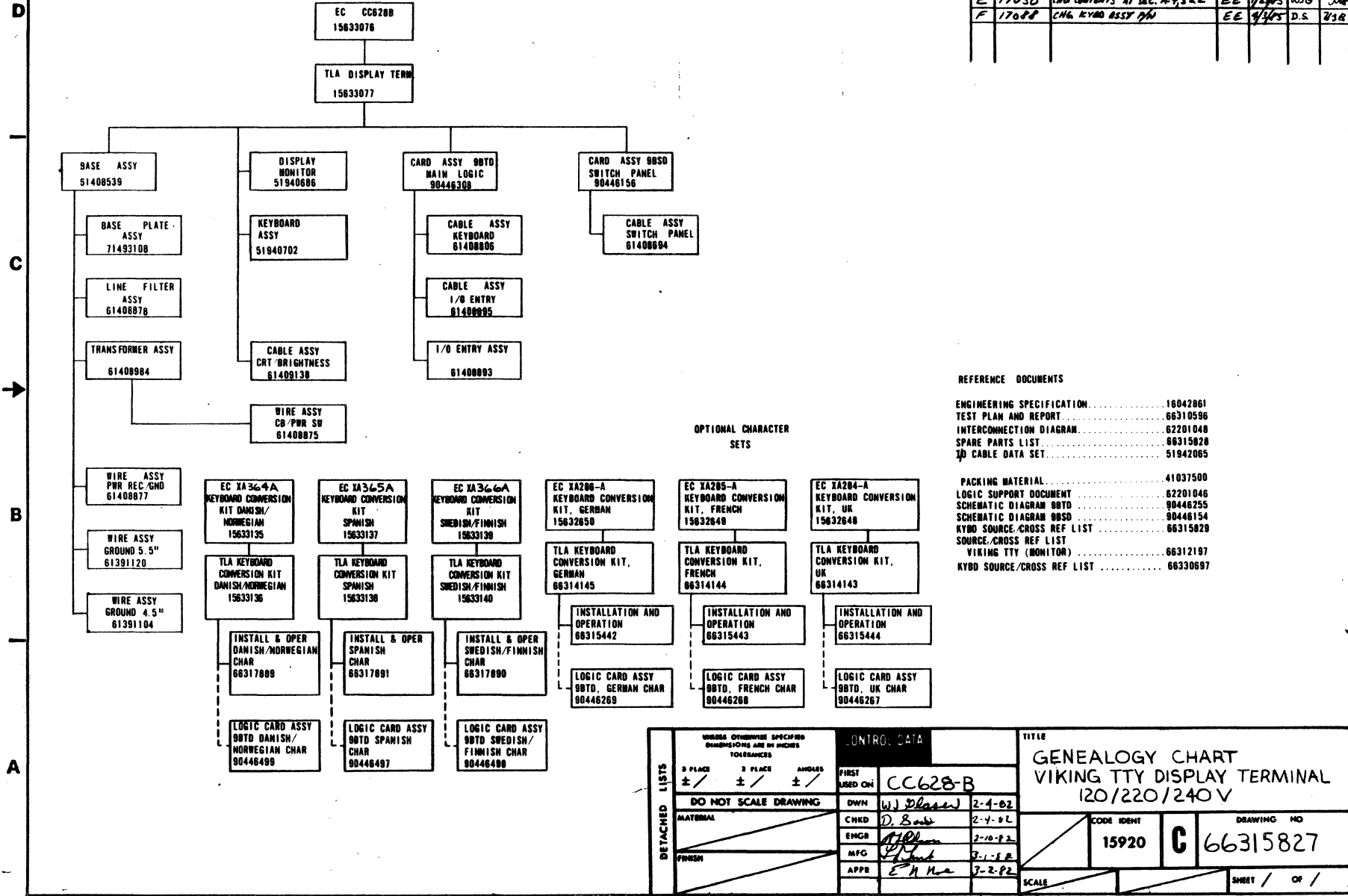
DETACHED LISTS	UNLESS OTHERWISE SPECIFIED DIMENSIONS ARE IN INCHES TOLERANCES			CONTROL DATA		TITLE	
	3 PLACE ± /	2 PLACE ± /	ANGLES ±	FIRST USED ON			
				CC628A		GENEALOGY CHART VIKING TTY DISPLAY TERMINAL 120/220/240 V	
	DO NOT SCALE DRAWING			OWN	WJG	1-25-80	
	MATERIAL			ENGR	WJG	1-25-80	
	FINISH			MFG	J.P. Galt	1-28-80	
				APPR	S.H. M	3-28-80	
							CODE IDENT 15920
							DRAWING NO 66310597
							SHEET 1 OF 1

66310597

62940004 L

2-2.1

SHEET REVISION STATUS			REVISION RECORD					
REV	ECO	DESCRIPTION	DRFT	DATE	CHKD	APP		
A	19232-2A	RELEASED CLASS 5A	-	8-15-82	-	REP		
B	15437	REVISED PER ELO	EE	8/16/82	EE	WJD		
C	16021	REF. DOC. NO. 51790657 HAS 61408806	EE	8/16/82	EE	WJD		
D	16659	SPL NO. WAS 61409021B	WJG	9-25-84	EE	WJD		
E	17030	CHG COMMENTS AT SEC. A-4, 3, 2, 2	EE	1/23/85	WJG	JAA		
F	17088	CHG KYBD ASSY 98D	EE	4/14/85	D.S.	WJD		



REFERENCE DOCUMENTS

ENGINEERING SPECIFICATION.....	16042061
TEST PLAN AND REPORT.....	66310596
INTERCONNECTION DIAGRAM.....	62201048
SPARE PARTS LIST.....	66315020
IO CABLE DATA SET.....	51942065
PACKING MATERIAL.....	41037500
LOGIC SUPPORT DOCUMENT.....	62201046
SCHEMATIC DIAGRAM 98TD.....	90446255
SCHEMATIC DIAGRAM 98SD.....	90446154
KYBD SOURCE/CROSS REF LIST.....	66315029
SOURCE/CROSS REF LIST.....	
VIKING TTY (MONITOR).....	66312197
KYBD SOURCE/CROSS REF LIST.....	66330697

DETACHED LISTS	UNLESS OTHERWISE SPECIFIED DIMENSIONS ARE IN INCHES TOLERANCES		CONTROL DATA		TITLE		
	3 PLACE ± /	2 PLACE ± /	ANGLES ± /	FIRST USED ON CC628-B	GENEALOGY CHART VIKING TTY DISPLAY TERMINAL 120/220/240V		
	DO NOT SCALE DRAWING			OWN WJ Blasen	2-4-82	CODE IDENT 15920	DRAWING NO 66315827
	MATERIAL	ENGR D. B. B.	2-7-82	MFG E.H. H.	3-1-82	SCALE	
FINISH	APPR E.H. H.	3-2-82	SHEET 1 OF 1				

66315827

# SOURCE CONTROL DRAWING


LTR	ECO	DESCRIPTION	DATE	APPROVAL
A	13503-91	RELEASED CLASS 'A'	4-22-80	<i>WJH</i>
B	14128	REVISED SHT 1 & 7	<i>EE</i> 6/16/80	P.A. 7/11/80
B	9401-87	ADDED INTER-DIVISIONAL LABEL	4-17-84	GJB
C	16708	REVISED PER ECO	<i>EE</i> 6/20/84	7/12/84 P.A.
D	17149	REVISED PER ECO	MD 6-20-85	<i>MD</i>

**RECORD OF REVISION STATUS OF EACH SHEET**

	1	2	3	4	5	6	7	8	9	10	11	12	13	14
A	A	A	A	A	A	A	-	-	-	-	-	-	-	-
B	A	A	A	A	A	B	-	-	-	-	-	-	-	-
B	B	B	B	B	B	B	-	-	-	-	-	-	-	-
C	C	C	C	C	C	C	C	C	C	C	C	C	C	C
D	D	D	D	D	D	D	D	D	D	D	D	D	D	D

**INTER-DIVISIONAL DOCUMENT**

This document is subject to change without prior notice. Users will receive copy only of the revised document.

DRAWN BY P. Anderson	DATE 4/8/80	TITLE Source/Cross Reference List Viking TTY Version 1 - 66312197 thru 2283 Version 2 - 66312284 thru 2361	 <b>CONTROL DATA CORPORATION</b>  CODE IDENT 15920
CHECKER P. Anderson	4/8/80		
APPROVAL <i>P. Anderson</i>	4/9/80		
APPROVAL <i>E. W. Hansen</i>	4/9/80		
APPROVAL <i>E. W. Hansen</i>	4-14-80	DRAWING NUMBER 66312197/2361	
APPROVAL <i>[Signature]</i>	4/17/80	REV <b>D</b>	

SHEET 1 OF 14

The tabulation of CDC Part Numbers constitute those items available from:

Zenith Radio Corporation  
 1000 Milwaukee Avenue  
 Glenview, Illinois 60025

for the Zenith model D12-NF-22 monitor (first version used by CDC) as replacement parts for CDC equipment specified in Engineering Specification 51940686. When used as specified in CDC Specification 51940686, the vendor (Zenith) guarantees satisfactory operation. Parts and assemblies or their container shall be permanently and legibly marked with the vendor's part number. Bulk identify with CDC Part Numbers. For second version parts list, see part numbers 66312284/2361.

SOURCE LIST

<u>CDC Part Number</u>	<u>Description</u>	<u>Vendor Part Number</u>	<u>Test Requirements</u>
66312197	Cap, Disc, 330 PF, 20%, 50 V	22-7614-06A	
66312198	Cap, Disc, 160 PF, 5%, 50 V, NPO	22-7619-39A	
66312199	Cap, Disc, 56 PF, 10%, 50 V	22-7622-28A	
66312200	Cap, Disc, 130 PF, 5%, 50 V, NPO	22-7619-37A	
66312201	Cap, Disc, 82 PF, 5%, 50 V, NPO	22-7619-32	
66312202	Cap, Elec, 4.7 MFD, 100-10%, 25 V	22-7152-03	
66312203	Cap, Disc, 560 PF, 10%, 50 V	22-7613-09A	
66312204	Cap, Disc, .01 MFD, 20%, 50 V	22-7614-24A	
66312205	Cap, Disc, .0047 MFD, 10%, 500 V	22-7440	
66312206	Cap, Disc, .022 MFD - Special-400V	22-7530-09	
66312207	Cap, Disc, 22 PF, 10%, 50 V	22-7656-13A	
66312208	Cap, Disc, 10 MFD, Special - 25 V	22-7313	
66312209	Cap, Elec, 100 MFD, 20%, 35V, 105°C	22-7719-09	
66312210	Cap, Disc, .001 MFD, 10%, 1 KV	22-3748	
66312211	Cap, Elec, 2.2 MFD, 20%, 100V, 105°C	22-7722-02	
66312212	Cap, Elec, 1 MFD, 20%, 100V, 105°C	22-7722-01	
66312213	Cap, Disc, 560 PF, 10%, 50 V	22-7613-09	
66312214	Cap, Disc, .01 MFD, 80-20%, 500 V	22-4905-01	
66312215	Cap, Disc, .01 MFD, 10%, 50 V	22-7613-24A	
66312216	Cap, Elec, 220 MFD, 100-10%, 35 V	22-7144-09	
66312217	Cap, Poly, .15 MFD, 10%, 50 V	22-7548	
66312218	Cap, Elec, 22 MFD, 100-10%, 25 V	22-7152-05	

SOURCE CONTROL DRAWING

CONTROL DATA CORPORATION	Source/Cross Reference List Viking TTY (Version 1)	CODE IDENT	A	DWG NO	REV
		15920		66312197	D
				SHEET 2 OF 14	

WP0103b  
 CD6468R

SOURCE LIST

<u>CDC</u> <u>Part Number</u>	<u>Description</u>	<u>Vendor</u> <u>Part Number</u>	<u>Test</u> <u>Requirements</u>
66312219	Cap, Elec, 100 MFD, 20%, 50V, 105°C	22-7720-09	
66312220	Cap, Elec, 4.7 MFD, 10%, 16 V	22-7579-03	
66312221	Cap, Disc, 150 PF, 10%, 50 V	22-7613-02A	
66312222	Cap, Elec, 1 MFD, 20%, 25 V	22-7389-02	
66312223	Cap, Elec, 47 MFD, 20%, 25V, 105°C	22-7718-08	
66312224	Cap, Elec, 10 MFD, 100-10%, 25 V	22-7152-04	
66312225	Cap, Disc, .0033 MFD, 20%, 50 V	22-7614-18A	
66312226	Cap, Disc, .012 MFD, 10%, 50 V	22-7613-25A	
66312227	Cap, Elec, 1000 MFD, 10%, 16V, 105°C	22-7579-04	
66312228	Cap, Disc, .0047 MFD, 20%, 50 V	22-7614-20A	
66312229	Cap, Elec, 47 MFD, 20%, 100V, 105°C	22-7722-08	
66312230	Cap, Elec, 4.7mfd, 20%, 63V, 105°C	22-7721-04	
66312231	Cap, Disc, 100 PFD, 10%, 50 V	22-7613A	
66312232	Cap, Disc, .02 MFD, 80-20%, 500 V	22-7724	
66312233	Cap, Disc, .01 MFD, 40-10%, 1KV	22-3512	
66312234	Resistor, 8.2 K, 2%, Film, 1/4 W	63-9919-94	
66312235	Control, HORIZ, Phase, 25 K	63-10651-11	
66312236	Resistor, 267 K, 1%, M.Film, 1/4 W	63-10533-04	
66312237	Resistor, 200 K, 1%, M.Film, 1/4W	63-10533-11	
66312238	Resistor, 5.1 K, 2%, Film, 1/4 W	63-10351-89	
66312239	Resistor, 3.3 K, 2%, Film, 1/4 W	63-9919-84	
66312240	Resistor, 3.9 K, 2%, Film, 1/4 W	63-9919-86	
66312241	Resistor, 330, 5%, Failsafe, 1/4 W	63-10559-60	
66312242	Resistor, 3.9, 5%, Failsafe, 1/4 W	63-10559-14	
66312243	Resistor, 100, 5%, Failsafe, 1/4 W	63-10559-48	
66312244	Resistor, 1.5, 5%, WW, 2W	63-10420-28	
66312245	Resistor, 1 K, 5%, 1/4 W	63-8797	
66312246	Resistor, 33, 5%, Failsafe, 1/4 W	63-10559-36	
66312247	Control, 250 K, Vertical Size	63-10651-13	
66312248	Resistor, 220, 5%, Failsafe, 1/2 W	63-10565-56	
66312249	Resistor, 2.7, 5%, Film, 1/4 W	63-9921-10	
66312250	Resistor, 820, 5%, Film, 2 W	63-10371-70	
66312251	Control, 100 K, Brightness	63-10651-12	
66312252	Control, 2 Meg, Focus	63-10812-01	
66312253	DIODE	103-142-01	
66312254	DIODE	103-295-03A	
66312255	DIODE	103-298-03A	
66312256	DIODE	212-323-03A	
66312257	DIODE	103-323-03A	

SOURCE CONTROL DRAWING

CONTROL DATA CORPORATION	Source/Cross Reference List Viking TTY (Version 1)	CODE IDENT 15920	A	DWG NO 66312197	REV D
				SHEET 3 OF 14	

WP0103b  
CD6468R

SOURCE LIST

<u>CDC</u> <u>Part Number</u>	<u>Description</u>	<u>Vendor</u> <u>Part Number</u>	<u>Test</u> <u>Requirements</u>
66312258	DIODE	103-330A	
66312259	DIODE	103-279-27	
66312260	Coil, RCF, Linearity	20-3906	
66312261	Coil, RCF, Tunable Width	20-3882	
66312262	Coil, RCF, 6.8 Micro-Hy	20-3887-10C	
66312263	Transformer, HORIZ Driver	95-3136-03	
66312264	Transformer, Sweep, Hi Voltage	95-3457	
66312265	Transistor, HORIZ, OSC. 1,2,3,4	121-975	
66312266	Transistor, HORIZ, Driver	121-1040	
66312267	Transistor, HORIZ, Output	121-1039	
66312268	Transistor, Vert, OSC & AMPL	121-699	
66312269	Transistor, Vert, Driver	121-972-01	
66312270	Transistor, Vert, Output 1	121-1035	
66312271	Transistor, Vert, Output 2	121-1036	
66312272	Transistor, Video, Output	121-1058	
66312273	Transistor, Video, Driver	121-895	
66312274	Reserved		
66312275	Reserved		
66312276	Reserved		
66312277	Reserved		
66312278	Reserved		
66312279	Reserved		
66312280	Reserved		
66312281	Reserved		
66312282	Reserved		
66312283	Reserved		

SOURCE CONTROL DRAWING

CONTROL DATA CORPORATION	Source/Cross Reference List Viking TTY (Version 1)	CODE IDENT	A	DWG NO	REV
		15920		66312197	D
				SHEET 4 OF 14	

WP0103b  
CD6468R

CROSS REFERENCE LIST

<u>Vendor</u> <u>Part Number</u>	<u>Description</u>	<u>CDC</u> <u>Part Number</u>	<u>Symbol</u>
100-708	CRT, 12-inch	66312050	VX201
103-142-01	Diode	66312253	CR101,102 CR103,109 CR304
103-279-27	Diode	66312259	CR306
103-295-03A	Diode	66312254	CR104
103-298-03A	Diode	66312255	CR105,201
103-323-03A	Diode	66312257	CR107
103-330A	Diode	66312258	CR108,305 CR401
121-1035	Transistor, Vertical Output 1	66312270	Q306
121-1036	Transistor, Vertical Output 2	66312271	Q307
121-1039	Transistor, Horizontal Output	66312267	Q106
121-1040	Transistor, Retrace	66312266	Q105,308
121-1058	Transistor, Video Output	66312272	Q401
121-699	Transistor, Vertical Osc.	66312268	Q302,303
121-895	Transistor, Video Driver	66312273	Q402
121-972-01	Transistor, Vertical Driver	66312269	Q305
121-975	Transistor, Horizontal/Vertical	66312265	Q101,102 Q103,104 Q301,304
20-3882	Coil, RCF Tunable Width	66312261	L102
20-3887-10C	Coil, RCF 6.8 Micro-Henry	66312262	L401
20-3906	Coil, RCF Linearity	66312260	L101
22-3512	Disc, .01 MFD, +40-10%, 1KV	66312233	C405
22-3748	Disc, .001 MFD, 10%, 1KV	66312210	C118
22-4905-01	Disc, .01 MFD, +80-20%, 500 V	66312214	C207
22-7144-09	Elec, 220 MFD, +100 10%, 35 V	66312216	CX206
22-7152-03	Elec, 4.7 MFD, +100-10%, 25 V	66312202	C109
22-7152-04	Elec, 10 MFD, +100-10%, 25 V	66312224	C309
22-7152-05	Elec, 22 MFD, +100-10%, 25 V	66312218	C303
22-7313	Elec, 10 MFD, Special, 25 V	66312208	C116
22-7389-02	Elec, 1 MFD, 20%, 25 V	66312222	C313,C307
22-7440	Disc, .0047 MFD, 10%, 500 V	66312205	C113
22-7530-09	Disc, .022 MFD, Special, 400 V	66312206	CX114
22-7548	Polye, .15 MFD, 10%, 50 V	66312217	C302
22-7579-03	Elec, 4.7 MFD, 10%, 16 V	66312220	C305
22-7579-04	Elec, 1000 MFD, 10%, 16 V, 105°C	66312227	C312
22-7613A	Disc, 100 PF, 10%, 50 V	66312231	C403
22-7613-02A	Disc, 150 PF, 10%, 50 V	66312221	C306
22-7613-09	Disc, 560 PF, 10%, 50 V	66312213	C122,C123
22-7613-09A	Disc, 560 PF, 10%, 50 V	66312203	C110
22-7613-24A	Disc, .01 MFD, 10%, 50 V	66312215	C301

SOURCE CONTROL DRAWING

CONTROL DATA CORPORATION	Source/Cross Reference List Viking TTY (Version 1)	CODE IDENT	A	DWG NO	REV
		15920		66312197	D
		SHEET 5 OF 14			

WP0103b  
CD6468R



CROSS REFERENCE LIST

<u>Vendor Part Number</u>	<u>Description</u>	<u>CDC Part Number</u>	<u>Symbol</u>
22-7613-25A	Disc, .012 MFD, 10%, 50 V	66312226	C311
22-7614-06A	Disc, 330 PF, 20%, 50 V	66312197	C101
22-7614-18A	Disc, .0033 MFD, 20%, 50 V	66312225	C310
22-7614-20A	Disc, .0047 MFD, 20%, 50 V	66312228	C314
22-7614-24A	Disc, .01 MFD, 20%, 50 V	66312204	C112
22-7619-32	Disc, 82 PF, 5%, NPO, 50 V	66312201	C108
22-7619-37A	Disc, 130 PF, 5%, NPO, 50 V	66312200	C106
22-7619-39A	Disc, 160 PF, 5%, NPO, 50 V	66312198	C102,103 C105,107
22-7622-28A	Disc, 56 PF, 10%, 50 V	66312199	C104,C111
22-7656-13A	Disc, 22 PF, 10%, 50 V	66312207	C115
22-7718-08	Elec, 27 MFD, 20%, 25 V, 105°C	66312223	C308
22-7719-09	Elec, 100 MFD, 20%, 35 V, 105°C	66312209	C117
22-7720-09	Elec, 100 MFD, 20%, 50 V, 105°C	66312219	C304
22-7721-04	Elec, 4.7 MFD, 20%, 63 V, 105°C	66312230	C402
22-7722-01	Elec, 1 MFD, 20%, 100 V, 105°C	66312212	C121
22-7722-02	Elec, 2.2 MFD, 20%, 100 V, 105°C	66312211	C120
22-7722-08	Elec, 47 MFD, 20%, 100 V, 105°C	66312229	C401
22-7724	Disc, .02 MFD, +80-20%, 500 V	66312232	C404
63-7710	Resistor, 16.0, OHM, 5%, 1/2 W, Comp.	24500120	R202
63-7823	Resistor, 8.2K, OHM, 5%, 1/2 W, Comp.	24500185	R317
63-8795	Resistor, 22, OHM, 5%, 1/4 W, Film	94402116	R406
63-8797	Resistor, 1.0K, OHM, 5%, 1/4 W, Film	66312245	R129
63-8821	Resistor, 12K, OHM, 5%, 1/4 W, Film	94402182	R405
63-8830	Resistor, 15K, OHM, 5%, 1/4 W, Film	94402184	R411,413
63-9919-84	Resistor, 3.3K, OHM, 2%, 1/4 W, Film	66312239	R112,115
63-9919-86	Resistor, 3.9K, OHM, 2%, 1/4 W, Film	66312240	R117
63-9919-94	Resistor, 8.2K, OHM, 2%, 1/4 W, Film	66312234	R102,103
63-9921-10	Resistor, 2.7, OHM, 5%, 1/4 W, Film	66312249	R325
63-9921-40	Resistor, 47.0, OHM, 5%, 1/4 W, Film	94402124	R306,404 R408
63-9921-45	Resistor, 75, OHM, 5%, 1/4 W, Film	94402129	R321
63-9921-46	Resistor, 82, OHM, 5%, 1/4 W, Film	94402130	R122
63-9921-66	Resistor, 560, OHM, 5%, 1/4 W, Film	94402150	R110,324
63-9921-68	Resistor, 680, OHM, 5%, 1/4 W, Film	94402152	R124
63-9921-72	Resistor, 1.0K, OHM, 5%, 1/4 W, Film	94402156	R316,402 R403
63-9921-73	Resistor, 1.1K, OHM, 5%, 1/4 W, Film	94402157	R323
63-9921-78	Resistor, 1.8K, OHM, 5%, 1/4 W, Film	94402162	R314
63-9921-79	Resistor, 2.0K, OHM, 5%, 1/4 W, Film	94402163	R116
63-9921-84	Resistor, 3.3K, OHM, 5%, 1/4 W, Film	94402168	R322
63-9921-92	Resistor, 6.8K, OHM, 5%, 1/4 W, Film	94402176	R302
63-9921-94	Resistor, 8.2K, OHM, 5%, 1/4 W, Film	94402178	R108,109

SOURCE CONTROL DRAWING

CONTROL DATA CORPORATION	Source/Cross Reference List Viking TTY (Version 1)	CODE IDENT	A	DWG NO	REV
		15920		66312197	D
				SHEET 6 OF 14	

WP0103b  
CD6468R

CROSS REFERENCE LIST

<u>Vendor Part Number</u>	<u>Description</u>	<u>CDC Part Number</u>	<u>Symbol</u>
63-9921-95	Resistor, 9.1K, OHM, 5%, 1/4 W, Film	94402179	R304
63-9922	Resistor, 15K, OHM, 5%, 1/4 W, Film	94402184	R101, R315 R418
63-9922-04	Resistor, 22K, OHM, 5%, 1/4 W, Film	94402188	R320
63-9922-05	Resistor, 24K, OHM, 5%, 1/4 W, Film	94402189	R303
63-9922-06	Resistor, 27K, OHM, 5%, 1/4 W, Film	94402190	R312
63-9922-09	Resistor, 36K, OHM, 5%, 1/4 W, Film	94402193	R305
63-9922-10	Resistor, 39K, OHM, 5%, 1/4 W, Film	94402194	R313
63-9922-14	Resistor, 56K, OHM, 5%, 1/4 W, Film	94402198	R106
63-9922-16	Resistor, 68K, OHM, 5%, 1/4 W, Film	94402100	R416
63-9922-22	Resistor, 120K, OHM, 5%, 1/4 W, Film	94402206	R311
63-9922-27	Resistor, 200K, OHM, 5%, 1/4 W, Film	94402211	R301
63-9922-40	Resistor, 680K, OHM, 5%, 1/4 W, Film	94402224	R417
63-9922-42	Resistor, 820K, OHM, 5%, 1/4 W, Film	94402226	R308
63-9924-48	Resistor, 1.5M, OHM, 10%, 1/4 W, Film	94402232	R310
63-10184-20	Resistor, 100K, OHM, 10%, 1/4 W, Comp.	17705912	R126
63-10351-89	Resistor, 5.1K, OHM, 2%, 1/4 W, Film	66312238	R111
63-10371-70	Resistor, 820, OHM, 5%, 2 W, Film	66312250	R407
63-10420-28	Resistor, 1.5, OHM, 5%, 2 W, WW	66312244	RX128
63-10533-04	Resistor, 267K, OHM, 1%, 1/4 W, M/Film	66312236	R105, R113 R114
63-10533-11	Resistor, 200K, OHM, 1%, 1/4W, M/Film	66312237	R107
63-10559-14	Resistor, 3.9, OHM, 5%, 1/4W, Failsafe	66312242	RX121
63-10559-36	Resistor, 33, OHM, 5%, 1/4W, Failsafe	66312246	RX307
63-10559-48	Resistor, 100, OHM, 5%, 1/4W, Failsafe	66312243	RX123
63-10559-60	Resistor, 330, OHM, 5%, 1/4W, Failsafe	66312241	RX118
63-10565-56	Resistor, 220, OHM, 5%, 1/2W, Failsafe	66312248	RX319
63-10651-11	Control, 25K, OHM, Horiz. Phase	66312235	R104
63-10651-12	Control, 100K, OHM, Brightness	66312251	R412
63-10651-13	Control, 250K, OHM, Vertical Size	66312247	R309
63-10812-01	Control, 2 MEG, OHM, Focus	66312252	R415
95-3136-03	Transformer, Horizontal Driver	66312263	TX101
95-3397-02	Deflection Yoke Assembly	66312065	TX202
95-3457	Transformer, H.V. Sweep	66312264	TX201
212-323-03A	Diode	66312256	CR106
A8783/F19695	Printed Wiring Board Assembly	66312052	None*
A8814	Sweep, Hi Voltage Transf. Assembly	66312051	None
Reference	Resistor, 330, OHM, 5%, 1/2 W, Comp.	24500151	R201
Reference	Resistor, 2.2K, OHM, 10%, 1/2 W, Comp.	24500171	R203
Reference	Resistor, 10 K, OHM, 10%, 1/2 W, Comp.	24500187	R204
Reference	Resistor, 47 K, OHM, 10%, 1/2 W, Comp.	17720504	R205

\*First Version - Zenith model D12-NF-22

SOURCE CONTROL DRAWING

CONTROL DATA CORPORATION	Source/Cross Reference List Viking TTY (Version 1)	CODE IDENT	A	DWG NO	REV
		15920		66312197	D
				SHEET 7 OF 14	

WP0103b  
CD6468R

The tabulation of CDC Part Numbers constitute those items available from:

Zenith Radio Corporation  
1000 Milwaukee Avenue  
Glenview, Illinois 60025

for the Zenith model DS12-NF-152 monitor (current production 2nd Version) as replacement parts for CDC Equipment specified in Engineering Specification 51940686. When used as specified in CDC Specification 51940686, the vendor (Zenith) guarantees satisfactory operation. Parts and assemblies or their container shall be permanently and legibly marked with the vendor's part number. Bulk identify with CDC Part Numbers. For the first version parts list, see Source Control Drawing 66312197/2283.

SOURCE LIST

<u>CDC Part Number</u>	<u>Description</u>	<u>Vendor Part Number</u>	<u>Test Requirements</u>
66312284	Printed Wiring Board Assy	A10090, A11468	See page 14 (2nd Version)
66312285	Coil-6.8 uh peaking tubular	20-3907-10A	
66312286	Coil width	20-3943-02	
66312287	Cap. 10 uF +10% Elect 25 V	22-7389-14C	
66312288	Cap. 470 uF +10% Elect 16 V	22-7579-12B	
66312289	Cap. 33 uF +50-10% Elect 16 V	22-7707-07A	
66312290	Cap. 10 uF +50-10% Elect 25 V	22-7708-05A	
66312291	Cap. 47 uF +50-10% Elect 25 V	22-7708-08A	
66312292	Cap. 100 uF +50-10% Elect 25 V	22-7708-09A	
66312293	Cap. 200 uF +50-10% Elect 25 V	22-7708-10C	
66312294	Cap. 33 uF +50-10% Elect 63 V	22-7711-07A	
66312295	Cap. 3.3 uF +50-10% Elect 100 V	22-7712-03A	
66312296	Cap. 1.0 uF +20% Elect 35 V	22-7713-02A	
66312297	Cap. 150 pF +10% tubular 50 V	22-7742	
66312298	Cap. 220 pF +10% tubular 50 V	22-7742-02	
66312299	Cap. 1500 pF +10% tubular 50 V	22-7742-12	
66312300	Cap. 0.0068 uF +5% poly. 100 V	22-7773-10	
66312301	Cap. 0.018 uF +5% poly. 100 V	22-7773-15	
66312302	Cap. 0.1 uF +5% poly. 100 V	22-7773-24	
66312303	Cap. 0.01 uF +10% poly. 100 V	22-7774-12	

SOURCE CONTROL DRAWING

CONTROL DATA CORPORATION	Source/Cross Reference List Viking TTY (Version 2)	CODE IDENT 15920	A	DWG NO 66312197	REV D
		SHEET 8 OF 14			

WP0103b  
CD6468R

SOURCE LIST

<u>CDC</u> <u>Part Number</u>	<u>Description</u>	<u>Vendor</u> <u>Part Number</u>	<u>Test</u> <u>Requirements</u>
66312304	Cap. 0.022 uF +10% poly. 100 V	22-7774-16	
66312305	Cap. 0.001 uF +10% disc 1 kV	22-7797	
66312306	Cap. 0.027 uF +5% poly. Special 400 V	22-7798-05	
66312307	Resistor, 1.5 Mohm 5% CC 1/4 W	63-10182-48	
66312308	Resistor, 2.2 Mohm 5% CC 1/4 W	63-10182-52	
66312309	Resistor, 22 ohm 10% CC 1/4 W	63-10183-32	
66312310	Resistor, 47 ohm 10% CC 1/4 W	63-10183-40	
66312311	Resistor, 100 ohm 10% CC 1/4 W	63-10183-48	
66312312	Resistor, 180 ohm 10% CC 1/4 W	63-10183-54	
66312313	Resistor, 10 Kohm 10% CC 1/4 W	63-10183-96	
66312314	Resistor, 82 Kohm 10% CC 1/4 W	63-10184-18	
66312315	Resistor, 680 Kohm 10% CC 1/4 W	63-10184-40	
66312316	Resistor, 1.0 Mohm 10% CC 1/4 W	63-10184-44	
66312317	Resistor, 4.3 Kohm 2% film 1/4 W	63-10233-87	
66312318	Resistor, 8.2 Kohm 2% film 1/4 W	63-10233-94	
66312319	Resistor, 220 ohm 5% film 1/2 W	63-10243-56	
66312320	Resistor, 1.0 Kohm 5% film 1/2 W	63-10243-72	
66312321	Resistor, 1.0 ohm 5% film 2 W	63-10420-24	
66312322	Resistor, 2 Mohm Focus Control	63-10557-24	
66312323	Resistor, 3.3 ohm 5% failsafe 1/4 W	63-10559-12	
66312324	Resistor, 10 ohm 5% failsafe 1/4 W	63-10559-24	
66312325	Resistor, 22 ohm 5% failsafe 1/4 W	63-10559-32	
66312326	Resistor, 820 ohm 5% Metal film 2 W	63-10836-70	
66312327	Resistor, 2.0 Kohm Phase control	63-10857-08	
66312328	Resistor, 100 Kohm Brightness control	63-10857-17	
66312329	Resistor, 250 Kohm Vert. control	63-10857-20	
66312330	CRT	100-724	
66312331	Diode	103-254-01	
66312332	Diode	103-336-26A	
66312333	Transistor, Horiz. output	121-1070	
66312334	Integrated circuit	221-217	
66312335	Reserved		
66312336	Reserved		

SOURCE CONTROL DRAWING

CONTROL DATA CORPORATION	Source/Cross Reference List Viking TTY (Version 2)	CODE IDENT	A	DWG NO	REV
		15920		66312197	D
			SHEET 9 OF 14		

WP0103b  
CD6468R

SOURCE LIST

<u>CDC</u> <u>Part Number</u>	<u>Description</u>	<u>Vendor</u> <u>Part Number</u>	<u>Test</u> <u>Requirements</u>
66312337	Reserved		
66312338	Reserved		
66312339	Reserved		
66312340	Reserved		
66312341	Reserved		
66312342	Reserved		
66312343	Reserved		
66312344	Reserved		
66312345	Reserved		
66312346	Reserved		
66312347	Reserved		
66312348	Reserved		
66312349	Reserved		
66312350	Reserved		
66312351	Reserved		
66312352	Reserved		
66312353	Reserved		
66312354	Reserved		
66312355	Reserved		
66312356	Reserved		
66312357	Reserved		
66312358	Reserved		
66312359	Reserved		
66312360	Reserved		
66312361	Reserved		

SOURCE CONTROL DRAWING

CONTROL DATA CORPORATION	Source/Cross Reference List Viking TTY (Version 2)	CODE IDENT	A	DWG NO	REV
		15920		66312197	D
			SHEET 10 OF 14		

WP0103b  
CD6468R

CROSS REFERENCE LIST

<u>Vendor</u> <u>Part Number</u>	<u>Description</u>	<u>CDC</u> <u>Part Number</u>	<u>Symbol</u>
All468, A10090/F19695	Printed Wiring Board Assy	66312284	none
20-3906	Coil-linearity	66312260	L102
20-3907-10A	Coil-68 uh peaking tubular	66312285	L401
20-3943-02	Coil-Width	66312286	L101
22-7313A	Cap. 10 uF Special Non. PO. 25 V	66312208	C112
22-7389-14C	Cap. 10 uF +10% Elect 25 V	66312287	C307
22-7579-12B	Cap. 470 uF +10% Elect 16 V	66312288	C316
22-7707-07A	Cap. 33 uF +50-10% Elect 16 V	66312289	C103,304
22-7708-05A	Cap. 10 uF +50-10% Elect 25 V	66312290	C311,313, 402
22-7708-08A	Cap. 47 uF +50-10% Elect 25 V	66312291	C312
22-7708-09A	Cap. 100 uF +50-10% Elect 25 V	66312292	C317
22-7708-10C	Cap. 220 uF +50-10% Elect 25 V	66312293	C118,119
22-7711-07A	Cap. 33 uF +50-10% Elect 63 V	66312294	C114
22-7712-03A	Cap. 3.3 uF +50-10% Elect 100 V	66312295	C401
22-7713-02A	Cap. 1 uF +20 Elect 35 V	66312296	C308,309
22-7742	Cap. 150 pF +10% tubular 50 V	66312297	C101,302
22-7742-02	Cap. 220 pF +10% tubular 50 V	66312298	C403
22-7742-12	Cap. 1500 pF +10% tubular 50 V	66312299	C301
22-7773-10	Cap. 0.0068 uF +5% Poly. 100 V	66312300	C104,107
22-7773-15	Cap. 0.018 uF +5% Poly. 100 V	66312301	C108
22-7773-24	Cap. 0.1 uF +5% Poly. 100 V	66312302	C303
22-7774-12	Cap. 0.01 uF +10% Poly. 100 V	66312303	C106,121, 122
22-7774-16	Cap. 0.022 uF +10% Poly. 100 V	66312304	C109,113, 314
22-7797	Cap. 0.001 uF +10% disc 1 kV	66312305	C116,117, 123
22-7798-05	Cap. 0.027 uF +5% Poly. Special 400 V	66312306	C111
63-7725	Res. 39 ohm 5% Carbon Comp 1/2 W	24500129	R201
63-10182-48	Res. 1.5 Mohm 5% Carbon Comp 1/4 W	66312307	R311
63-10182-52	Res. 2.2 Mohm 5% Carbon Comp 1/4 W	66312308	R309
63-10183-32	Res. 22 ohm 10% Carbon Comp 1/4 W	66312309	R413
63-10183-40	Res. 47 ohm 10% Carbon Comp 1/4 W	66312310	R304,406, 409,412
63-10183-48	Res. 100 ohm 10% Carbon Comp 1/4 W	66312311	R313,318
63-10183-54	Res. 180 ohm 10% Carbon Comp 1/4 W	66312312	R139

SOURCE CONTROL DRAWING

CONTROL DATA CORPORATION	Source/Cross Reference List Viking TTY (Version 2)	CODE IDENT	A	DWG NO	REV
		15920		66312197	D
		SHEET 11 OF 14			

WP0103b  
CD6468R

CROSS REFERENCE LIST

<u>Vendor</u> <u>Part Number</u>	<u>Description</u>	<u>CDC</u> <u>Part Number</u>	<u>Symbol</u>
63-10183-96	Res. 10 Kohm 10% Carbon Comp 1/4 W	66312313	R127
63-10184-18	Res. 82 Kohm 10% Carbon Comp 1/4 W	66312314	R126
63-10184-40	Res. 680 Kohm 10% Carbon Comp 1/4 W	66312315	R134
63-10184-44	Res. 1.0 m 10% Carbon Comp 1/4 W	66312316	R132
63-10233-87	Res. 4.3 Kohm 2% film 1/4 W	66312317	R117
63-10233-94	Res. 8.2 Kohm 2% film 1/4 W	66312318	R112
63-10234-84	Res. 3.3 Kohm 5% film 1/4 W	94402168	R327
63-10235-10	Res. 2.7 ohm 5% film 1/4 W	5164524	R331
63-10235-45	Res. 75 ohm 5% film 1/4 W	94402129	R326
63-10235-46	Res. 82 ohm 5% film 1/4 W	94402130	R121
63-10235-60	Res. 330 ohm 5% film 1/4 W	94402144	R103
63-10235-62	Res. 390 ohm 5% film 1/4 W	94402146	R328
63-10235-68	Res. 680 ohm 5% film 1/4 W	94402152	R104, 106, 123, 329
63-10235-72	Res. 1 Kohm 5% film 1/4 W	94402156	R101, 113, 403, 404, W8
63-10235-80	Res. 2.2 Kohm 5% film 1/4 W	94402164	R114, 317, 321, 322
63-10235-81	Res. 2.4 Kohm 5% film 1/4 W	94402165	R109
63-10235-90	Res. 5.6 Kohm 5% film 1/4 W	94402174	R301
63-10235-92	Res. 6.8 Kohm 5% film 1/4 W	94402176	R307
63-10235-96	Res. 10 Kohm 5% film 1/4 W	94402180	R116, 314
63-10236	Res. 15 Kohm 5% film 1/4 W	94402184	R138, 415
63-10236-04	Res. 22 Kohm 5% film 1/4 W	94402188	R107, 302
63-10236-06	Res. 27 Kohm 5% film 1/4 W	94402190	R308, 316
63-10236-10	Res. 39 Kohm 5% film 1/4 W	94402194	R306
63-10236-12	Res. 47 Kohm 5% film 1/4 W	94402196	R319
63-10236-27	Res. 200 Kohm 5% film 1/4 W	94402211	R303
63-10243-56	Res. 220 ohm 5% film 1/2 W	66312319	R324
63-10243-72	Res. 1.0 Kohm 5% film 1/2 W	66312320	R131
63-10420-24	Res. 1 ohm 5% film 2 W	66312321	R337, W9
63-10557-24	Res. 2m Focus Control	66312322	R136
63-10559-12	Res. 3.3 ohm 5% Failsafe 1/4 W	66312323	R323
63-10559-24	Res. 10 ohm 5% Failsafe 1/4 W	66312324	R119
63-10559-32	Res. 22 ohm 5% Failsafe 1/4 W	66312325	R332
63-10559-48	Res. 100 ohm 5% Failsafe 1/4 W	66312243	R118, 122
63-10836-70	Res. 820 ohm 5% Metal Film 2 W	66312326	R402

SOURCE CONTROL DRAWING

CONTROL DATA CORPORATION	Source/Cross Reference List Viking TTY (Version 2)	CODE IDENT	A	DWG NO	REV
		15920		66312197	D
		SHEET 12 OF 14			

WP0103b  
CD6468R

CROSS REFERENCE LIST

<u>Vendor</u> <u>Part Number</u>	<u>Description</u>	<u>CDC</u> <u>Part Number</u>	<u>Symbol</u>
63-10857-08	Res. 2.0 Kohm Phase Control	66312327	R111
63-10857-17	Res. 100 Kohm Brightness Control	66312328	R128
63-10857-20	Res. 250 Kohm Vert. Control	66312329	R312
Reference	Res. 330 ohm 5% Carbon Comp 1/2 W	24500151	R203
Reference	Res. 2.2 Kohm 5% Carbon Comp 1/2 W	24500171	R204
Reference	Res. 10 Kohm 5% Carbon Comp 1/2 W	24500187	R206
Reference	Res. 47 Kohm 5% Carbon Comp 1/2 W	24500504	R207
95-3136-03	Transformer, Horiz. Driver	66312263	TX101
95-3397-02	Deflection Yoke 90° off Board	66312065	TX202
95-3457	Transformer - H.V. Sweep off Board	66312264	TX102
100-724	CRT	66312330	VX201
103-142-01	Diode	66312253	CR102, 112, 302, 303
103-254-01	Diode	66312331	CR110, 304, 401
103-295-03A	Diode	66312254	CR107
103-298-03A	Diode	66312255	CR103
103-323-03A	Diode	66312257	CR104, 106, 108
103-336-26A	Diode	66312332	CR301
121-699A	Transistor, Vert Osc II	66312268	Q302, 303
121-895A	Transistor, Video Driver	66312273	Q402
121-975A	Transistor, Horiz Osc	66312265	Q101, 104, 301
121-1035	Transistor, Vert Out I	66312270	Q307
121-1036	Transistor, Vert Out II	66312271	Q306
121-1040A	Transistor, Horiz Driver	66312266	Q102, 304, 308
121-1058	Transistor, Video Output	66312272	Q401
121-1070	Transistor, Horiz Output	66312333	Q103
221-217	Integrated Circuit	66312334	IC101

SOURCE CONTROL DRAWING

CONTROL DATA CORPORATION	Source/Cross Reference List Viking TTY (Version 2)	CODE IDENT	A	DWG NO	REV
		15920		66312197	D
		SHEET 13 OF 14			

WP0103b  
CD6468R



CDC P/N66312284 is a spare part for:

51940686 12-inch display- raster scan monitor. The vendor, Zenith, guarantees that the part when installed properly shall not cause monitor degradation in performance and reliability.

Printed Circuit Boards supplied as replacement parts in accordance with this specification shall be burned-in for a minimum of hours as defined in the monitor specification 51940686, Paragraph 3.3.13 and the temperature vs. Burn-In curve shown in Paragraph 3.3.13.

**Marking Note:** This part shall be permanently and legibly marked as described in monitor specification 51940686, Paragraph 3.3.8. Bulk identify with CDC P/N 66312284

**Description:** Printed Circuit Card Assembly


- A. Number of Trimmer pots on board —4
- B. Number of coil slug adjustments —1
- C. Components on board - resistors, capacitors, coils, transistors, diodes, interstage transformer.
- D. Number of connectors (male) - yoke (two 2-pin) xfmr (one 6-pin)
- E. UL recognized board material -94V-1
- F. Board size - 6" long x 3 1/2" wide x 1/16" thick
- G. CRT 7-pin plastic cap socket and cable harness attached to PCB (6-wires). One wire (ARC Ground) to be terminated in a Fast-on connector.

**Test Procedure:** Install in Viking TTY monitor (CC628A) and test per monitor specification CDC P/N 51940686.

**Supplied by:** Zenith Radio Corporation  
1000 Milwaukee Avenue  
Glenview, Illinois 60025

**Vendor P/N:** A-11468 Version 2  
A-10090 Version 2 (Alternate)

SOURCE CONTROL DRAWING

	Source/Cross Reference List Viking TTY (Version 2)	CODE IDENT	A	DWG NO	66312197	REV
		15920		SHEET 14 OF 14		

AA 3979

PRINTED IN U.S.A.




# SOURCE CONTROL DRAWING

LTR	ECO	DESCRIPTION	DATE	APPROVAL
A	13503 -46	RELEASED CLASS "A"	5/23/80	Mch
A	9401-67	ADDED INFO ONLY INTER-DIVISIONAL LABEL	1-8-81	G <sup>2</sup>
B	14608	FIX VENDOR P/N 35AM-9018	<sup>WJG</sup> 4-9-81	<del>WJG</del>
C	14753	INACTIVATE P/N 66312529 REPLACED BY 66312534	8-27-81	<del>WJG</del>
D	14809	REVISED PER ECO	<sup>DS</sup> 9-30-81	<del>WJG</del>
E	15045	REVISED PER ECO	6/2/82	MRE
F	15488	DELETED INTER-DIVISIONAL STATUS	<sup>EE</sup> 9/24/82	<del>WJG</del>
G	16659	ADD GREEN KEY SWITCH	<sup>WJG</sup> 4-25-84	HJB

**RECORD OF REVISION STATUS OF EACH SHEET**

1	2	3	4	5	6	7	8	9	10	11	12	13
A	A	A	A	A	A	A	A	A	A	A	A	A
A	A	A	A	A	A	A	A	A	A	A	A	A
B	B	B	A	A	B	A	A	A	A	A	A	A
C	C	C	A	A	C	A	A	A	A	A	A	A
D	C	C	A	A	C	A	A	A	D	D	D	A
E	E	E	A	A	E	A	A	A	D	D	D	A
F	F	F	F	F	F	F	F	F	F	F	F	F
G	G	G	F	F	F	F	F	F	F	F	F	F

DRAWN BY J. Gronski	DATE 4/80	TITLE SOURCE/CROSS REFERENCE LIST VIKING TTY KEYBOARD	 <b>CONTROL DATA CORPORATION</b>  CODE IDENT 15920
CHECKER J. Gronski	4/80		
APPROVAL <i>[Signature]</i>	4/15/80		
APPROVAL <i>[Signature]</i>	4/16/80		
APPROVAL <i>[Signature]</i>	4/16/80		
DRAWING NUMBER 66312525 THRU 66312536		REV G	
SHEET 1 OF 13			

The tabulation of Control Data Corporation part number 66312525 constitutes those items available from:

Cherry Electrical Products Corporation  
 3600 Sunset Avenue  
 Waukegan, Illinois 60085


as replacement parts for the Control Data Viking TTY Keyboard, CDC P/N 51940698. When used in the specified application (Keyboard 51940698) the vendor (Cherry Electric) guarantees satisfactory operation.

Parts and assemblies of their containers shall be permanently and legibly marked with the vendor's symbol and part number. Bulk identify with Control Data part number.

SOURCE LIST

<u>CDC Part Number</u>	<u>Description</u>	<u>Vendor P/N</u>	<u>Test Requirements</u>
66312525	Dual Return Spring (1.25oz)	010-0340	A1-1
66312526	Single Return Spring (2.5oz)	010-0341	A1-2
66312527	Space Bar Spring (2.8 oz)	010-0342	A1-3
66312528	IC CS263 Sense AMP	350B-0978	A2
66312529	Replaced By 66312534		
66312530	Space Bar Assembly	B99-00AH	A4
66312531	Keycap Set	B99-99AG	A7
66312532	Keyswitch Module, Black	M03-0001	A5
66312533	Keyswitch, ALT. AC	M03-0003	A6
66312534	Replaced By 66312535		
66312535	Keyboard Encoder Assy	B99-51AJ	A3


**SOURCE CONTROL DRAWING**

	SOURCE/CROSS REFERENCE LIST VIKING TTY KEYBOARD	CODE IDENT	A	DWG NO	66312525 THRU 66312536	REV	G
				SHEET	2	OF	13

CROSS REFERENCE LIST

<u>Vendor P/N</u>	<u>Description</u>	<u>CDC P/N</u>	<u>Vendor Symbol</u>
0031-0001	LED	51903800	DS2, DS3
010-0340	Dual Spring Return (1.25oz)	66312525	
010-0341	Single, Return (2.5 oz.)	66312526	
010-0342	Spring, Space Bar (2.8 oz)	66312527	
350B-0978	IC CS263 Sense AMP	66312528	U2
350C-D840	IC MC840	15112800	U3
350C-T007	IC 7407	17183900	U5, U6
350D-T123	IC 74123	50254300	U4
B99-00AH	Space Bar Assembly	66312530	
B99-99AG	Keycap Set	66312531	
M03-0001	Key Switch, Black	66312532	
M03-0003	Key Switch, ALT. AC.	66312533	
B99-51AJ	Keyboard Endcoder Assembly	66312535	U1
M03-0023	Key Switch, Green	66315834	


**SOURCE CONTROL DRAWING**

 <b>CONTROL DATA CORPORATION</b>	<b>SOURCE/CROSS REFERENCE LIST</b> VIKING TTY      KEYBOARD	<b>CODE IDENT</b> 15920	<b>A</b>	<b>DWG NO</b> 66312525 THRU 66312536	<b>REV</b> G
		SHEET 3 OF 13			

31694

APPENDIX A  
TEST REQUIREMENTS

SOURCE CONTROL DRAWING

 CONTROL DATA CORPORATION	SOURCE/CROSS REFERENCE LIST	CODE IDENT 15920	A	DWG NO 66312525 THRU 66312536	REV F
	VIKING TTY      KEYBOARD			SHEET 4	OF 13

31694

TEST REQUIREMENT A1

Burn-In Requirement:

None required.

Description:

Spring, Return

Material -

Stainless Steel

Force -

1 - 1.25 oz. at .590 compressed height  
2 - 2.5 oz. at .590 compressed height  
3 - 2.8 oz. at .590 compressed height

Test Procedure:

Check per similarity to Figure 1

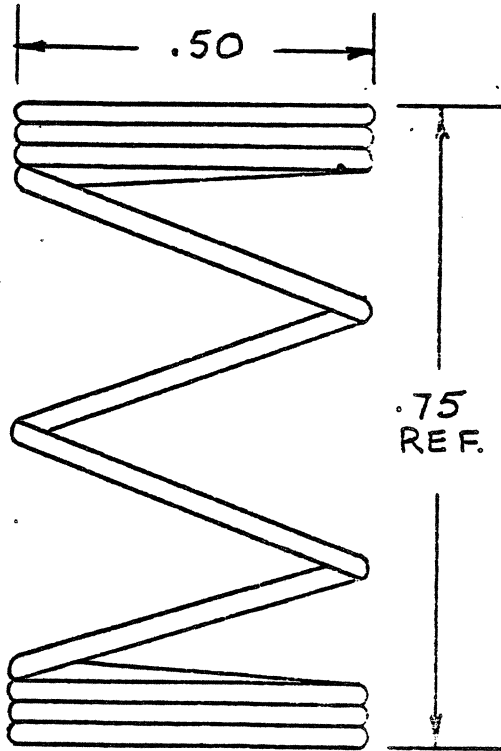



FIGURE 1.

**SOURCE CONTROL DRAWING**

 CONTROL DATA CORPORATION	SOURCE/CROSS REFERENCE LIST	CODE IDENT 15920	A	DWG NO 66312525 THRU 66312536	REV F
	VIKING TTY      KEYBOARD			SHEET 5 OF 13	

Test Requirement A2

Burn-In Requirement:

None required.

Description: I.C. CS263 Sense AMP.

- A. IC may be plastic or ceramic.
- B. 8 lead dual in-line package.
- C. Leads on .100 inch centers nominal.
- D. Rows on .312 inch centers nominal.
- E. Length of IC body .375 inch nominal.
- F. Width of IC body .250 inch nominal.

Test Procedures: 51940698 Keyboard - Replace old Sense AMP with new and test per CDC-Specification 51940698.

Test Requirement A3

Burn-In Requirement:

None required.

Description: KEYBOARD ENCODER ASSEMBLY

- A. ROM mounted on PC card shall be hermetically sealed.
- B. 40 lead socket interfaces to a dual in-line socket.
- C. Leads on .100 inch center nominal.
- D. Rows on .600 inch centers nominal.
- E. Length of Keyboard Encoder Assy. 4.250 inch nominal.
- F. Width of Keyboard Encoder Assy. 2.125 inch nominal.


NOTE

Observe precautions described in CDC-STD 1:60:010 for handling and packaging of electrostatic sensitive devices.

Test Procedures:

- A. Remove Keyboard Encoder Assy. from the test keyboard.
- B. Insert Assy. to be tested into ROM socket.
- C. Test per specification Control Drawing 51940698 Section 3.6.2 and Table 3.

SOURCE CONTROL DRAWING

 CONTROL DATA CORPORATION	SOURCE/CROSS REFERENCE LIST VIKING TTY KEYBOARD	CODE IDENT	A	DWG NO 66312525 THRU 66312536	REV F
		15920		SHEET 6 OF 13	



Test Requirement A4

Burn-In Requirement:

None required.

Description: Space Bar Mechanism (9 Keys Wide)

The mechanism consists of the following parts:

2 - Plungers

2 - Plunger Housings

1 - Wire Pivot

Test Procedures: Inspect for similarity to Figure 2

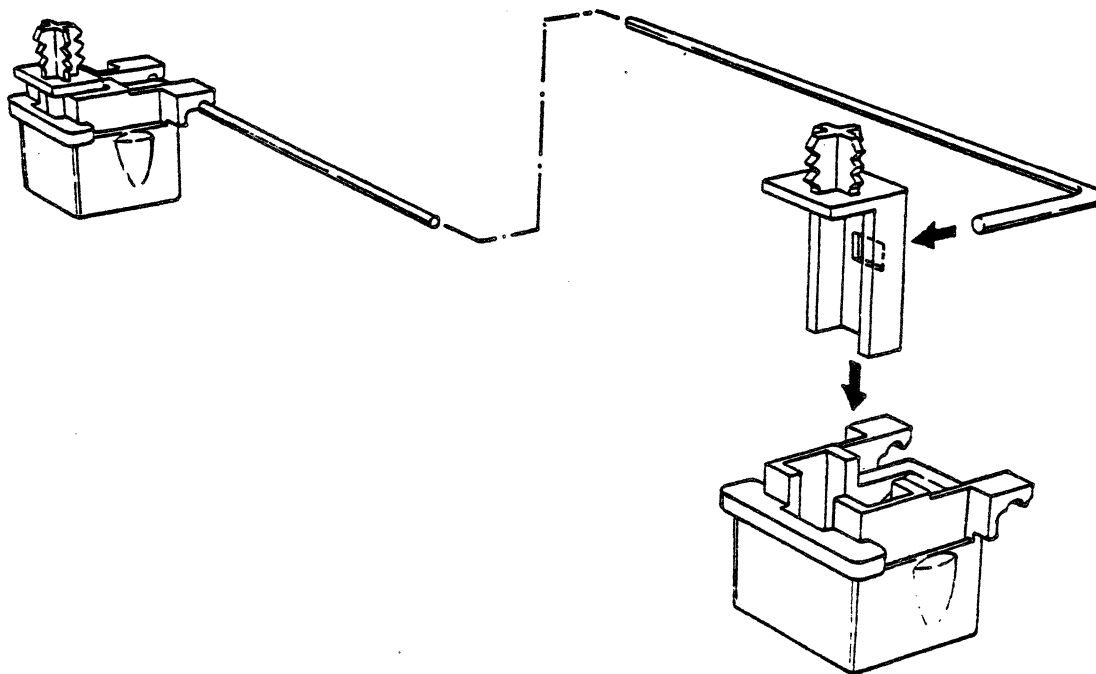



FIGURE 2.

**SOURCE CONTROL DRAWING**

 CONTROL DATA CORPORATION	SOURCE/CROSS REFERENCE LIST VIKING TTY KEYBOARD	CODE IDENT	A	DWG NO	66312525 THRU 66312536	REV	F
		15920		SHEET	7 OF	13	

Test Requirement A5

Burn-In Requirement:

None required.

Description: Module, Switch (Capacitive)

- A. Momentary
- B. Straight Stem
- C. Operating Force -  $2.5 \pm .5$  ounce
- D. Total Travel -  $.150''$
- E. Contacts - Metalized Mylar

Test Procedures:

51940698 Keyboard - Test per CDC Specification 51940698, Paragraph 3.5.

Test Requirement A6

Burn-In Requirement:

None required.


Description: Module, Switch (Capacitive)

- A. Alternate Action
- B. Straight Stem -  $2.5 \pm 0.5$  ounce
- C. Operating Force -  $2\frac{1}{2}$  ounce
- D. Total Travel -  $.150''$
- E. Contacts - Metalized Mylar

Test Procedures:

51940698 Keyboard - Test per CDC-Specification 51940698, Paragraph 3.2.4.

**SOURCE CONTROL DRAWING**

 CONTROL DATA CORPORATION	SOURCE/CROSS REFERENCE LIST VIKING TTY KEYBOARD	CODE IDENT	A	DWG NO	66312525 THRU 66312536	REV	F
		15920				SHEET 8 OF 13	

TEST REQUIREMENT A7

BURN-IN REQUIREMENT:

None required.

DESCRIPTION:

Keycap Set, Viking TTY - 85 Key


TEST PROCEDURES:

51940698 Keyboard - Inspect per CDC Specification 51940698 paragraphs 3.2.3, 3.2.3.1, 3.2.5, 3.2.6, 3.2.7, 3.2.9, Tables 2 and 3, Figures 2, 3, 4, and 5. and Keycap Specification 66300982.

The Viking TTY Keycap Set shall consist of the following keycap numbers:

<u>PART NUMBER</u>	<u>QUANTITY</u>	<u>DESCRIPTION</u>	<u>STATION NUMBER</u>
66302172	1	Keycap - Break	1
66301657	1	Print	2
66302173	1	EOP EOL	3
66301360	1	(BLANK)	4
66302174	1	F1	5
66302175	1	F2	6
66302176	1	F3	7
66302177	1	F4	8
66302178	1	F5	9
66302179	1	F6	10
66302180	1	F7	11
66302181	1	F8	12
66302182	1	Keycap F9	13


**SOURCE CONTROL DRAWING**

 CONTROL DATA CORPORATION	SOURCE/CROSS REF LIST VIKING TTY KEYBOARD	CODE IDENT	A	DWG NO	REV
		15920		66312525 THRU 66312536	
				SHEET 9 OF 13	

(Cont.)

<u>PART NUMBER</u>	<u>QUANTITY</u>	<u>DESCRIPTION</u>	<u>STATION NUMBER</u>
66302183	1	KEYCAP F10	14
66302184	1	F11	15
66302185	1	TAB	16
66302261	1	! 1	17
66302003	1	@ 2	18
66302004	1	# 3	19
66302005	1	\$ 4	20
66302006	1	% 5	21
66302265	1	^ 6	22
66302008	1	& 7	23
66302009	1	* 8	24
66302010	1	( 9	25
66302011	1	) 0	26
66302012	1	- -	27
66302013	1	+ =	28
66302186	1	~ \	29
66302085	1	DEL	30
66302187	1	7	31
66302188	1	↑ 8	32
66302189	1	9	33
66302021	1	Q	34
66302022	1	W	35
66302023	1	E	36
66302024	1	KEYCAP R	37


## SOURCE CONTROL DRAWING

 CONTROL DATA CORPORATION	SOURCE/CROSS REF LIST VIKING TTY KEYBOARD	CODE IDENT	A	DWG NO	REV
		15920		66312525 THRU 66312536	
				SHEET	10 OF 13

(Cont.)

<u>PART NUMBER</u>	<u>QUANTITY</u>	<u>DESCRIPTION</u>	<u>STATION NUMBER</u>
66302025	1	Keycap - T	38
66302026	1	Y	39
66302027	1	U	40
66302028	1	I	41
66302029	1	O	42
66302030	1	P	43
66302190	1	] [	44
66302032	1	! \	45
66302191	1	NEW LINE	46
66302192	1	← 4	47
66302193	1	<u>5</u> HOME	48
66302194	1	→ 6	49
66302195	1	CAPS LOOK	50
66301630	1	A	51
66301631	1	S	52
66301632	1	D	53
66301633	1	F	54
66301634	1	G	55
66301635	1	H	56
66301636	1	J	57
66301637	1	K	58
66301638	1	L	59
66301025	1	Keycap - : ;	60


## SOURCE CONTROL DRAWING

 CONTROL DATA CORPORATION	SOURCE/CROSS REF LIST VIKING TTY KEYBOARD	CODE IDENT	A	DWG NO 66312525 THRU 66312536	REV F
		15920			

(Cont.)

<u>PART NUMBER</u>	<u>QUANTITY</u>	<u>DESCRIPTION</u>	<u>STATION NUMBER</u>
66302037	1	Keycap- " '	Station - 61
66302196	1	} {	62
66302197	1	1	63
66302198	1	↓ 2	64
66302199	1	3	65
66302200	2	SHIFT	66, 77
66302042	1	Z	67
66302043	1	X	68
66302044	1	C	69
66302045	1	V	70
66302046	1	B	71
66302047	1	N	72
66302048	1	M	73
66302201	1	< ,	74
66302202	1	> .	75
66302051	1	? /	76
6630 2203	1	-	78
6630 2204	1	0	79
6630 2205	1	↓ .	↓ 80
66302206	1	Keycap - ESC	Station- 81


## SOURCE CONTROL DRAWING

 CONTROL DATA CORPORATION	SOURCE/CROSS REF LIST VIKING TTY KEYBOARD	CODE IDENT	A	DWG NO	REV
		15920		66312525 THRU 66312536	F
				SHEET	12 OF 13

(Cont.)

<u>PART NUMBER</u>	<u>QUANTITY</u>	<u>DESCRIPTION</u>	<u>STATION NUMBER</u>
66302207	1	Keycap - CONTROL	Station - 82
66302208	1	(SPACE BAR)	83
66302209	1	REPEAT	84
66302210	1	Keycap - CR	Station- 85

## SOURCE CONTROL DRAWING

 CONTROL DATA CORPORATION	SOURCE/CROSS REF LIST VIKING TTY KEYBOARD	CODE IDENT	A	DWG NO	REV
		15920		66312525 THRU 66312536	F
				SHEET 13 OF 13	

31494





The tabulation of Control Data Corporation part number 66315829 constitutes those items available from:

Cherry Electrical Products Corporation  
3600 Sunset Avenue  
Waukegan, Illinois 60085

as replacement parts for the Control Data Viking TTY Keyboard, CDC P/N 51941197. When used in the specified application (Keyboard 51941197) the vendor (Cherry Electric) guarantees satisfactory operation.

Parts and assemblies of their containers shall be permanently and legibly marked with the vendor's symbol and part number. Bulk identify with Control Data part number.

SOURCE LIST

<u>CDC Part Number</u>	<u>Description</u>	<u>Vendor P/N</u>
66315830	Replaced by 66315833	350M-9102
66315831	2716 Programmed EROM	35SJ-E024
66315832	CS2014 Sense Amp	350C-2014
66315833	Keyboard Microprocessor	35AM-9103
66315834	Keyswitch Module, Green	M03-0023

SOURCE CONTROL DRAWING

CONTROL DATA CORPORATION	SOURCE/CROSS REFERENCE LIST VIKING TTY KEYBOARD	CODE IDENT 15920	A	DWG NO 66315829 - 66315838	REV D
			SHEET 2 OF 14		

WP0103b  
CD5010R

CROSS REFERENCE LIST

<u>Vendor P/N</u>	<u>Description</u>	<u>CDC P/N</u>	<u>Vendor Symbol</u>	<u>Test Rqmts</u>
0031-0001	LED	51903800	DS2, DS3	
010-0340	Dual Spring Return (1.25 oz.)	66312525		A1-1
010-0341	Spring, Return (2.5 oz.)	66312526		A1-2
010-0342	Spring, Space Bar (2.8 oz.)	66312527		A1-3
350C-T007	IC 7407	88883200	U7	
B99-00AH	Space Bar Assembly	66312530		A4
B99-99AG	Keycap Set	66312531		A7
M03-0001	Key Switch, Black	66312532		A5
M03-0003	Key Switch, ALT. AC.	66312533		A6
350M-9102	Replaced by 35AM-9103	66315830	U1	A8
350C-2014	IC CS2014 Sense Amp	66315832	U3, U4	A2
35SJ-E024	IC 2716 Programmed EROM	66315831	U5	A3
0032-0081	2N3906 Transistor	18192100	Q1	
350J-T154	IC 74154	96744174	U2	
350C-L074	IC 74LS74	15146300	U6	
350C-L002	IC 74LS02	15145000	U8	
350C-L020	IC 74LS20	15145900	U9	
350C-L214	IC 74LS14	15148500	U10	
35AM-9103	Keyboard Microprocessor	66315833	U1	A8
M03-0023	Keyswitch Module, Green	66315834		A5

SOURCE CONTROL DRAWING

CONTROL DATA CORPORATION	SOURCE/CROSS REFERENCE LIST VIKING TTY KEYBOARD	CODE IDENT	A	DWG NO	REV
		15920		66315829 - 66315838	D
				SHEET 3 OF 14	

WP0103b  
CD5010R

APPENDIX A  
TEST REQUIREMENTS

SOURCE CONTROL DRAWING

CONTROL DATA CORPORATION	SOURCE/CROSS REFERENCE LIST VIKING TTY KEYBOARD	CODE IDENT	A	DWG NO	REV
		15920		66315829 - 66315838	B
				SHEET 4 OF 14	

WP0103b  
CD5010R

Test Requirement A1

Burn-In Requirement:

None required.

Description:

Spring, Return  
Material - Stainless Steel  
Force - 1 - 1.25 oz. at 0.590 compressed height  
          2 - 2.5 oz. at 0.590 compressed height  
          3 - 2.8 oz. at 0.590 compressed height

Test Procedures:

Check per similarity to Figure 1.

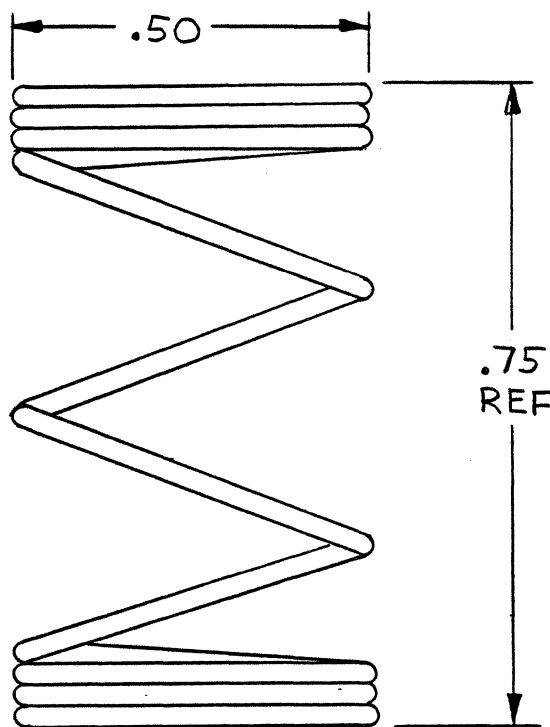


Figure 1.  
SOURCE CONTROL DRAWING

CONTROL DATA CORPORATION	SOURCE/CROSS REFERENCE LIST VIKING TTY KEYBOARD	CODE IDENT	A	DWG NO	REV
		15920		66315829 - 66315838	B
		SHEET 5 OF 14			

WP0103b  
CD5010R

Test Requirement A2

Burn-In Requirement:

None required.

Description:

I.C. CS2014 Sense AMP.

- A. IC may be plastic or ceramic.
- B. 14 lead dual in-line package.
- C. Leads on 0.100 inch centers nominal.
- D. Rows on 0.312 inch centers nominal.
- E. Length of IC body 0.750 inch nominal.
- F. Width of IC body 0.250 inch nominal.

Test Procedures:

51941197 Keyboard - Replace old Sense AMP with new and test per CDC-Specification 51941197.

SOURCE CONTROL DRAWING

CONTROL DATA CORPORATION	SOURCE/CROSS REFERENCE LIST VIKING TTY KEYBOARD	CODE IDENT	A	DWG NO	REV
		15920		66315829 - 66315838	B
				SHEET	6 OF 14

WP0103b  
CD5010R

Test Requirement A3

Burn-In Requirement:

None required.

Description:

IC 2716 Programmed EROM

- A. IC shall be hermetically sealed.
- B. 24 lead package interfaces to a dual in-line socket.
- C. Leads on 0.100 inch center nominal.
- D. Rows on 0.600 inch centers nominal.
- E. Length of IC body 1.290 inch nominal.
- F. Width of IC body 0.520 inch nominal.

Note: Observe precautions described in CDC-STD 1:60:010 for handling and packaging of electrostatic sensitive devices.

Test Procedures:

- A. Remove EROM from 24 contact socket.
- B. Insert EROM to be tested into 24 contact socket.
- C. Test per Specification Control Drawing 51941197, Section 3.6.2 and Table A1.

SOURCE CONTROL DRAWING

CONTROL DATA CORPORATION	SOURCE/CROSS REFERENCE LIST VIKING TTY KEYBOARD	CODE IDENT	A	DWG NO	REV
		15920		66315829 - 66315838	B
				SHEET	7 OF 14

WP0103b  
CD5010R

Test Requirement A4

Burn-In Requirement:

None required.

Description:

Space Bar Mechanism (9 Keys Wide)

The mechanism consists of the following parts:

- 2 - Plungers
- 2 - Plunger Housings
- 1 - Wire Pivot

Test Procedures:

Inspect for similarity to Figure 2.

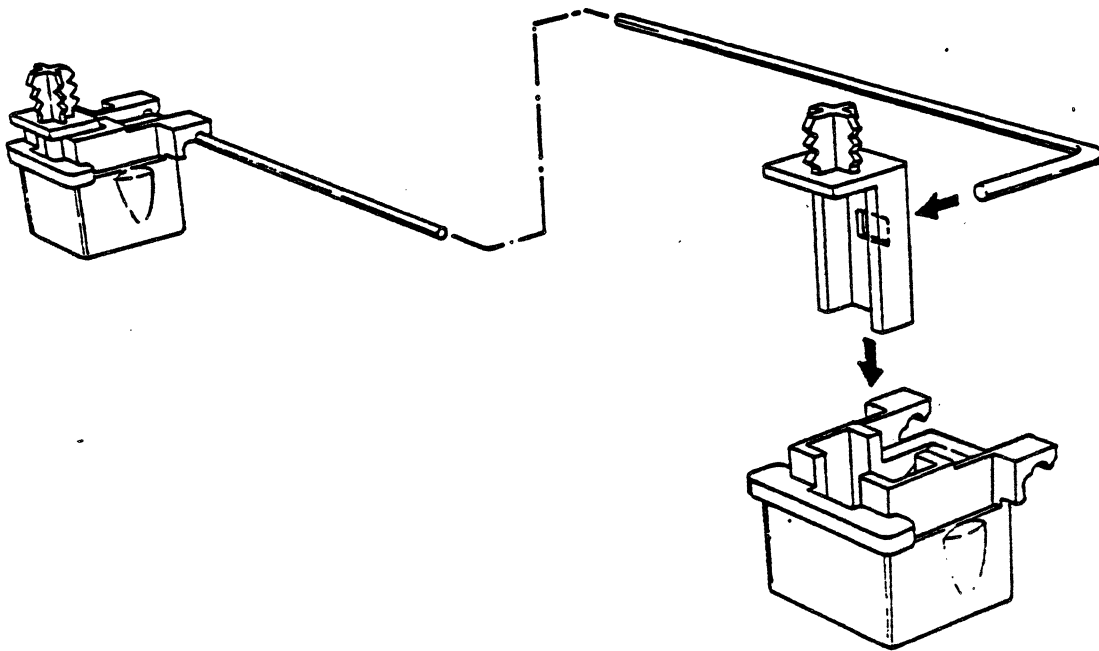


Figure 2.  
SOURCE CONTROL DRAWING

CONTROL DATA CORPORATION	SOURCE/CROSS REFERENCE LIST VIKING TTY KEYBOARD	CODE IDENT	A	DWG NO	REV
		15920		66315829 - 66315838	
		SHEET 8 OF 14			

WP0103b  
CD5010R

Test Requirement A5

Burn-In Requirement:

None required.

Description:

Module, Switch (Capacitive)

- A. Momentary
- B. Straight Stem
- C. Operating Force -  $2.5 \pm 0.5$  ounce
- D. Total Travel - 0.150"
- E. Contacts - Metalized Mylar

Test Procedures:

51941197 Keyboard - Test per CDC-Specification 51941197,  
Paragraph 3.5

SOURCE CONTROL DRAWING

CONTROL DATA CORPORATION	SOURCE/CROSS REFERENCE LIST VIKING TTY KEYBOARD	CODE IDENT	A	DWG NO	REV
		15920		66315829 - 66315838	B
				SHEET 9 OF 14	

WP0103b  
CD5010R



Test Requirement A6

Burn-In Requirement:

None required.

Description:

Module, Switch (Capacitive)

- A. Alternate Action
- B. Straight Stem - 2.5 + 0.5 ounce
- C. Operating Force - 2.5 ounce
- D. Total Travel - 0.150"
- E. Contacts - Metalized Mylar

Test Procedures:

51941197 Keyboard - Test per CDC-Specification 51941197,  
Paragraph 3.2.4

SOURCE CONTROL DRAWING

CONTROL DATA CORPORATION	SOURCE/CROSS REFERENCE LIST VIKING TTY KEYBOARD	CODE IDENT	A	DWG NO	REV
		15920		66315829 - 66315838	B
				SHEET 10 OF 14	

WP0103b  
CD5010R

Test Requirement A7

Burn-In Requirement:

None required.

Description:

Keycap Set, Viking TTY - 85 Key

Test Procedures:

51941197 Keyboard - Inspect per CDC-Specification 51941197, Paragraphs 3.2.3, 3.2.3.1, 3.2.5, 3.2.6, 3.2.7, 3.2.9, Tables 2 and A1, Figures 2, 3, 4, and A1, and Keycap Specification 66300982.

The Viking TTY Keycap set shall consist of the following keycap numbers as shown in Table A1.

TABLE A1. Keycap Numbers for Viking TTY

PART NUMBER	QUANTITY	DESCRIPTION	STATION NUMBER
66302172	1	Keycap - Break	1
66301657	1	Keycap - Print	2
66302173	1	Keycap - EOP EOL	3
66301360	1	Keycap - (BLANK)	4
66302174	1	Keycap - F1	5
66302175	1	Keycap - F2	6
66302176	1	Keycap - F3	7
66302177	1	Keycap - F4	8
66302178	1	Keycap - F5	9
66302179	1	Keycap - F6	10
66302180	1	Keycap - F7	11
66302181	1	Keycap - F8	12

SOURCE CONTROL DRAWING

CONTROL DATA CORPORATION	SOURCE/CROSS REFERENCE LIST VIKING TTY KEYBOARD	CODE IDENT	A	DWG NO	REV
		15920		66315829 - 66315838	B
		SHEET 11 OF 14			

WP0103b  
CD5010R

TABLE A1. Keycap Numbers for Viking TTY (Contd)

PART NUMBER	QUANTITY	DESCRIPTION	STATION NUMBER
66302182	1	Keycap - F9	13
66302183	1	Keycap - F10	14
66302184	1	Keycap - F11	15
66302185	1	Keycap - TAB	16
66302261	1	Keycap - ! 1	17
66302003	1	Keycap - @ 2	18
66302004	1	Keycap - # 3	19
66302005	1	Keycap - \$ 4	20
66302006	1	Keycap - % 5	21
66302265	1	Keycap - ^ 6	22
66302008	1	Keycap - & 7	23
66302009	1	Keycap - * 8	24
66302010	1	Keycap - ( 9	25
66302011	1	Keycap - ) 0	26
66302012	1	Keycap - - -	27
66302013	1	Keycap - + =	28
66302186	1	Keycap - ~ \	29
66302085	1	Keycap - DEL	30
66302187	1	Keycap - 7	31
66302188	1	Keycap - ↑ 8	32
66302189	1	Keycap - 9	33
66302021	1	Keycap - Q	34
66302022	1	Keycap - W	35
66302023	1	Keycap - E	36
66302024	1	Keycap - R	37
66302025	1	Keycap - T	38
66302026	1	Keycap - Y	39
66302027	1	Keycap - U	40
66302028	1	Keycap - I	41
66302029	1	Keycap - O	42
66302030	1	Keycap - P	43
66302190	1	Keycap - ] [	44
66302032	1	Keycap - ! \	45
66302191	1	Keycap - NEW LINE	46
66302192	1	Keycap - ← 4 5	47
66302193	1	Keycap - <u>HOME</u>	48
66302194	1	Keycap - → 6	49
66302195	1	Keycap - CAPS LOCK	50

SOURCE CONTROL DRAWING

CONTROL DATA CORPORATION	SOURCE/CROSS REFERENCE LIST VIKING TTY KEYBOARD	CODE IDENT	A	DWG NO	REV
		15920		66315829 - 66315838	B
				SHEET 12 OF 14	

WP0103b  
CD5010R

TABLE A1. Keycap Numbers for Viking TTY (Contd)

PART NUMBER	QUANTITY	DESCRIPTION	STATION NUMBER
66301630	1	Keycap - A	51
66301631	1	Keycap - S	52
66301632	1	Keycap - D	53
66301633	1	Keycap - F	54
66301634	1	Keycap - G	55
66301635	1	Keycap - H	56
66301636	1	Keycap - J	57
66301637	1	Keycap - K	58
66301638	1	Keycap - L	59
66301025	1	Keycap - : ;	60
66302037	1	Keycap - " ' ;	61
66302196	1	Keycap - } {	62
66302197	1	Keycap - 1	63
66302198	1	Keycap - ↓ 2	64
66302199	1	Keycap - 3	65
66302200	2	Keycap - SHIFT	66, 77
66302042	1	Keycap - Z	67
66302043	1	Keycap - X	68
66302044	1	Keycap - C	69
66302045	1	Keycap - V	70
66302046	1	Keycap - B	71
66302047	1	Keycap - N	72
66302048	1	Keycap - M	73
66302201	1	Keycap - < .	74
66302202	1	Keycap - > .	75
66302051	1	Keycap - ? /	76
66302203	1	Keycap - -	78
66302204	1	Keycap - 0	79
66302205	1	Keycap - .	80
66302206	1	Keycap - ESC	81
66302207	1	Keycap - CONTROL	82
66302208	1	Keycap - (SPACE BAR)	83
66302209	1	Keycap - REPEAT	84
66302210	1	Keycap - CR	85

SOURCE CONTROL DRAWING

CONTROL DATA CORPORATION	SOURCE/CROSS REFERENCE LIST VIKING TTY KEYBOARD	CODE IDENT	A	DWG NO	REV
		15920		66315829 - 66315838	B
				SHEET 13 OF 14	

WP0103b  
CD5010R

Test Requirement A8

Burn-In Requirement:

None required.

Description:

IC Keyboard Microprocessor

- A. IC shall be hermetically sealed.
- B. 40 lead package interfaces to a dual in-line socket.
- C. Leads on 0.100 inch centers nominal.
- D. Rows on 0.600 inch centers nominal.
- E. Length of IC body 2.020 inch nominal.
- F. Width of IC body 0.590 inch nominal.

Test Procedures:

- A. Remove microprocessor from 40 contact socket.
- B. Insert microprocessor to be tested into 40 contact socket.
- C. Test per Specification Control Drawing 51941197.

SOURCE CONTROL DRAWING

CONTROL DATA CORPORATION	SOURCE/CROSS REFERENCE LIST VIKING TTY KEYBOARD	CODE IDENT	A	DWG NO	REV
		15920		66315829 - 66315838	B
				SHEET 14 OF 14	

WP0103b  
CD5010R

SOURCE CONTROL DRAWING

REV	DATE	DESCRIPTION	DATE	APPROVAL
A	4/25/85	RELEASED CLASS "A"	4/25/85	MCT

Record of Revision Status of Each Sheet

1	2	3	4	5	6	7	8	9	10	11	12	13	14	15	16
A	A	A	A	A	A	A	A	A	A	A	A	A	A	A	A

Drawn By J. Gronski	Date 4/2/85	Title SOURCE/CROSS REFERENCE LIST VIKING TTY KEYBOARD (Cross-Point Keyswitch)	CONTROL DATA CORPORATION
Checker <i>J. Gronski</i>	Date 4/2/85	DRAWING NUMBER 66330697 Thru 66330711 SHEET 1 OF 16	Code Ident 15920
Approval <i>H. S. Burmista</i>	Date 4-2-85		
Approval <i>S. N. Noel</i>	Date 4/3/85	Rev A	
Approval <i>W. J. ...</i>	Date 4/4/85		
Approval <i>R. ...</i>	Date 4/24/85		

The tabulation of Control Data Corporation part number 66330697 constitutes those items available from:

Cherry Electrical Products Corporation  
3600 Sunset Avenue  
Waukegan, Illinois 60085

as replacement parts for the Control Data Viking TTY keyboard, CDC P/N 51940702. When used in the specified application (keyboard 51940702) the vendor (Cherry Electric) guarantees satisfactory operation.

Parts and assemblies or their containers shall be permanently and legibly marked with the vendor's symbol and part number. Bulk identify with Control Data part number.

SOURCE LIST

<u>CDC Part Number</u>	<u>Description</u>	<u>Vendor P/N</u>
66330697	Keypswitch, Momentary Inactive	M51-0185 *
66330698	Keypswitch, Momentary Active	M73-0100
66330699	Keypswitch, Alt. Action	M73-0800
66330700	IC 2716, Programmed	35SJ-E074
66330701	Crystal, 5.9904 MHZ	0038-0019

\* SWITCH MODULE M51-0185 (CDC P/N 66330697) IS NO LONGER AVAILABLE FROM VENDOR, M73-0100 (CDC P/N 66330698) CAN BE USED AS A SUBSTITUTE IF IT IS MODIFIED BY CLIPPING ONE OF THE TWO LEADS OFF FLUSH WITH THE BOTTOM OF THE CASE BEFORE INSTALLATION.

SOURCE CONTROL DRAWING

CONTROL DATA CORPORATION	SOURCE/CROSS REFERENCE LIST VIKING TTY KEYBOARD	CODE IDENT 15920	A	DWG NO 66330697- 66330711	REV B PG 2
--------------------------	--	---------------------	---	---------------------------------	------------------

CROSS REFERENCE LIST

<u>VENDOR P/N</u>	<u>QTY</u>	<u>DESCRIPTION</u>	<u>CDC P/N</u>	<u>VENDOR SYMBOL</u>	<u>REQMTS</u>
M73-0120	81	Keyswitch-Momentary Active	66299880		A1
M73-0112	1	Keyswitch-Space Bar	66299879		A2
M51-0185	2	Keyswitch-Inactive	66330697		A3
M73-0100	2	Keyswitch-Momentary Active	66330698		A4
M73-0800	1	Keyswitch-Alt. Action	66330699		A5
B99-99AG	1	Keycap Set-85 Keys	66312531		A6
0007-0440	1	Connector-20 Pin	51847500	J1	
0031-0336	2	Led-Red T-1 3/4	51903800	DS2, DS3	
0031-0440	1	Led-Red T-1	66316293	DS5	
0830-0022	90	Diode-1N4148	51007385	D1-D90	
350B-Z555	1	IC NE555-Timer	15112100	U7	
350C-T007	1	IC7407	17183900	U8	
350D-L175	1	IC 74LS175	15146900	U6	
350F-L373	1	IC 74LS373	15163434	U3	
350F-L374	1	IC 74LS374	15163404	U5	
35SJ-E074	1	IC 2716-Programmed	66330700	U2	A7
350J-L154	1	IC74LS154	44672097	U4	
350M-8039	1	IC 8039	15164450	U1	A8
B99- OOA	1	Space Bar Assembly	66312530		A9
0038-0019	1	Crystal 5.9904 MHZ	66330701	Y1	A10

SOURCE CONTROL DRAWING

CONTROL DATA CORPORATION	SOURCE/CROSS REFERENCE LIST VIKING TTY KEYBOARD	CODE IDENT 15920	A	DWG NO 66330697- 66330711	REV B PG 3
--------------------------	--	---------------------	---	---------------------------------	------------------



APPENDIX A

REQUIREMENTS

SOURCE CONTROL DRAWING

CONTROL DATA	SOURCE/CROSS REFERENCE LIST	CODE IDENT 15920	A	DWG NO 66330697- 66330711	REV A PG 4
CORPORATION	VIKING TTY KEYBOARD				

Requirement A1

Burn-In Requirement:

None Required.

Description:

Module, Switch (Cross-Point)

- A. Momentary
- B. Straight Stem - "T" Style
- C. Operating Force -  $2.5 \pm 0.5$  ounce
- D. Total Travel -  $0.150$ "
- E. Contacts - Gold Cross-Point

SOURCE CONTROL DRAWING

	SOURCE/CROSS	CODE IDENT	DWG NO	REV
CONTROL DATA	REFERENCE LIST	15920	A	66330697-
CORPORATION	VIKING TTY KEYBOARD		66330711	PG 5

Requirement A2

Burn-In Requirement:

None required.

Description:

Module, Switch (Space Bar - Cross Point)

- A. Momentary
- B. Straight Stem - Flat Style
- C. Operating Force -  $3.5 \pm 1.0$  ounce
- D. Total Travel -  $0.150$ "
- E. Contacts - Gold Cross-Point

SOURCE CONTROL DRAWING

CONTROL DATA	SOURCE/CROSS	CODE IDENT	DWG NO	REV
CORPORATION	REFERENCE LIST	15920	66330697-	A
	VIKING TTY KEYBOARD		66330711	PG 6

Requirement A3

Burn-In Requirement:

None required.

Description:

Module, Switch (Inactive)

- A. Momentary
- B. Straight Stem - "T" Style
- C. Operating Force -  $2.5 \pm 0.5$  ounce
- D. Total Travel -  $0.150$ "
- E. Contacts - Gold Cross-Point

SOURCE CONTROL DRAWING

CONTROL DATA CORPORATION	SOURCE/CROSS REFERENCE LIST VIKING TTY KEYBOARD	CODE IDENT 15920	A	DWG NO 66330697-66330711	REV A PG 7
--------------------------	---	------------------	---	--------------------------	------------

Requirement A4

Burn-In Requirement:

None required.

Description:

Module, Switch (Active)

- A. Momentary
- B. Straight Stem - Flat Style
- C. Operating Force -  $2.5 \pm 0.5$  ounce
- D. Total Travel -  $0.150$ "
- E. Contacts - Gold Cross-Point

SOURCE CONTROL DRAWING

	SOURCE/CROSS	CODE IDENT		DWG NO	REV
CONTROL DATA	REFERENCE LIST	15920	A	66330697-	A
CORPORATION	VIKING TTY KEYBOARD			66330711	PG 8

-----

Requirement A5

Burn-In Requirement:

None required.

Description:

Module, Switch (Active)

- A. Alternate Action
- B. Straight Stem - Flat Style
- C. Operating Force -  $2.5 \pm 0.5$  ounce
- D. Total Travel -  $0.150$ "
- E. Contacts - Gold Cross-Point

SOURCE CONTROL DRAWING

CONTROL DATA CORPORATION	SOURCE/CROSS REFERENCE LIST VIKING TTY KEYBOARD	CODE IDENT 15920	A	DWG NO 66330697-66330711	REV A PG 9
--------------------------	---	------------------	---	--------------------------	---------------

Requirement A6

Burn-In Requirement:

None required.

Description:

Keycap Set, Viking TTY - 85 Key

Test Procedures:

51940702 Keyboard - Inspect per CDC-Specification 51940702, Paragraphs 3.2.3 thru 3.2.3.4, 3.2.5, 3.2.6, 3.2.7, 3.2.9, Tables 2 and 3, Figures 2, 3, 4, and 5, and Keycap Specification 66300982.

The Viking TTY Keycap set shall consist of the following keycap numbers as shown in Table A1.

TABLE A1. Keycap Numbers for Viking TTY

PART NUMBER	QUANTITY	DESCRIPTION	STATION NUMBER
66302172	1	Keycap - Break	1
66301657	1	Keycap - Print	2
66302173	1	Keycap - EOP EOL	3
66301360	1	Keycap - (BLANK)	4
66302174	1	Keycap - F1	5
66302175	1	Keycap - F2	6
66302176	1	Keycap - F3	7
66302177	1	Keycap - F4	8
66302178	1	Keycap - F5	9
66302179	1	Keycap - F6	10
66302180	1	Keycap - F7	11
66302181	1	Keycap - F8	12

SOURCE CONTROL DRAWING

CONTROL DATA CORPORATION	SOURCE/CROSS REFERENCE LIST VIKING TTY KEYBOARD	CODE IDENT 15920	A	DWG NO 66330697- 66330711	REV A PG 10
--------------------------	--	---------------------	---	---------------------------------	-------------------

TABLE A1. Keycap Numbers for Viking TTY (Contd)

PART NUMBER	QUANTITY	DESCRIPTION	STATION NUMBER
66302182	1	Keycap - F9	13
66302183	1	Keycap - F10	14
66302184	1	Keycap - F11	15
66302185	1	Keycap - TAB	16
66302261	1	Keycap - ! 1	17
66302003	1	Keycap - @ 2	18
66302004	1	Keycap - # 3	19
66302005	1	Keycap - \$ 4	20
66302006	1	Keycap - % 5	21
66302265	1	Keycap - ^ 6	22
66302008	1	Keycap - & 7	23
66302009	1	Keycap - * 8	24
66302010	1	Keycap - ( 9	25
66302011	1	Keycap - ) 0	26
66302012	1	Keycap - -	27
66302013	1	Keycap - + =	28
66302186	1	Keycap - ~ ,	29
66302085	1	Keycap - DEL	30
66302187	1	Keycap - 7	31
66302188	1	Keycap - ↑ 8	32
66302189	1	Keycap - 9	33
66302021	1	Keycap - Q	34
66302022	1	Keycap - W	35
66302023	1	Keycap - E	36
66302024	1	Keycap - R	37
66302025	1	Keycap - T	38
66302026	1	Keycap - Y	39
66302027	1	Keycap - U	40
66302028	1	Keycap - I	41
66302029	1	Keycap - O	42
66302030	1	Keycap - P	43
66302190	1	Keycap - ] [	44
66302032	1	Keycap - ; \	45
66302191	1	Keycap - NEW LINE	46
66302192	1	Keycap - ← 4 5	47
66302193	1	Keycap - HOME	48
66302194	1	Keycap - → 6	49
66302195	1	Keycap - CAPS LOCK	50

SOURCE CONTROL DRAWING

CONTROL DATA CORPORATION	SOURCE/CROSS REFERENCE LIST VIKING TTY KEYBOARD	CODE IDENT 15920	A	DWG NO 66330697- 66330711	REV A PG 11
--------------------------	--	---------------------	---	---------------------------------	-------------------



TABLE A1. Keycap Numbers for Viking TTY (Contd)

PART NUMBER	QUANTITY	DESCRIPTION	STATION N
66301630	1	Keycap - A	51
66301631	1	Keycap - S	52
66301632	1	Keycap - D	53
66301633	1	Keycap - F	54
66301634	1	Keycap - G	55
66301635	1	Keycap - H	56
66301636	1	Keycap - J	57
66301637	1	Keycap - K	58
66301638	1	Keycap - L	59
66301025	1	Keycap - : ;	60
66302037	1	Keycap - " ' ;	61
66302196	1	Keycap - } {	62
66302197	1	Keycap - 1	63
66302198	1	Keycap - ↓ 2	64
66302199	1	Keycap - 3	65
66302200	1	Keycap - SHIFT	66, 77
66302242	1	Keycap - Z	67
66302043	1	Keycap - X	68
66302044	1	Keycap - C	69
66302045	1	Keycap - V	70
66302046	1	Keycap - B	71
66302047	1	Keycap - N	72
66302048	1	Keycap - M	73
66302201	1	Keycap - < ,	74
66302202	1	Keycap - > .	75
66302051	1	Keycap - ? /	76
66302203	1	Keycap - -	78
66302204	1	Keycap - O	79
66302205	1	Keycap - .	80
66302206	1	Keycap - ESC	81
66302207	1	Keycap - CONTROL	82
66302208	1	Keycap - (SPACE BAR)	83
66302209	1	Keycap - REPEAT	84
66302210	1	Keycap - CR	85

SOURCE CONTROL DRAWING

CONTROL DATA CORPORATION	SOURCE/CROSS REFERENCE LIST VIKING TTY KEYBOARD	CODE IDENT 15920	A	DWG NO 66330697- 66330711	REV A PG 12
--------------------------	--	---------------------	---	---------------------------------	-------------------

Requirement A7

Burn-In Requirement:

None Required.

Description:

IC 2716 Programmed EROM

- A. IC shall be hermetically sealed.
- B. 24 lead package interfaces to a dual in-line socket.
- C. Leads on  $\emptyset.100$  inch center nominal.
- D. Rows on  $\emptyset.600$  inch centers nominal.
- E. Length of IC body 1.290 inch nominal.
- F. Width of IC body  $\emptyset.520$  inch nominal.

Note: Observe precautions described in CDC-STD 1:60:010 for handling and packaging of electrostatic sensitive devices.

SOURCE CONTROL DRAWING

	SOURCE/CROSS	CODE IDENT		DWG NO	REV
CONTROL DATA	REFERENCE LIST	15920	A	66330697-	A
CORPORATION	VIKING TTY KEYBOARD			66330711	PG 13

Requirement A8

Burn-In Requirement:

None required.

Description:

IC Keyboard Microprocessor - 8039

- A. IC shall be hermetically sealed.
- B. 40 lead package interfaces to a dual in-line socket.
- C. Leads on 0.100 inch centers nominal.
- D. Rows on 0.600 inch centers nominal.
- E. Length of IC body 2.020 inch nominal.
- F. Width of IC body 0.590 inch nominal.

Note: Observe precautions described in CDC-STD 1:60:010 for handling & packaging of electrostatic sensitive devices.

SOURCE CONTROL DRAWING

CONTROL DATA CORPORATION	SOURCE/CROSS REFERENCE LIST VIKING TTY KEYBOARD	CODE IDENT 15920	A	DWG NO 66330697-66330711	REV A PG 14
--------------------------	---	------------------	---	--------------------------	-------------

Requirement A9

Burn-In Requirement:

None required.

Description:

Space Bar Mechanism (9 Keys Wide)

The mechanism consists of the following parts:

- 2 - Plungers
- 2 - Plunger Housings
- 1 - Wire Pivot

Test Procedures:

Inspect for similarity to Figure 2.

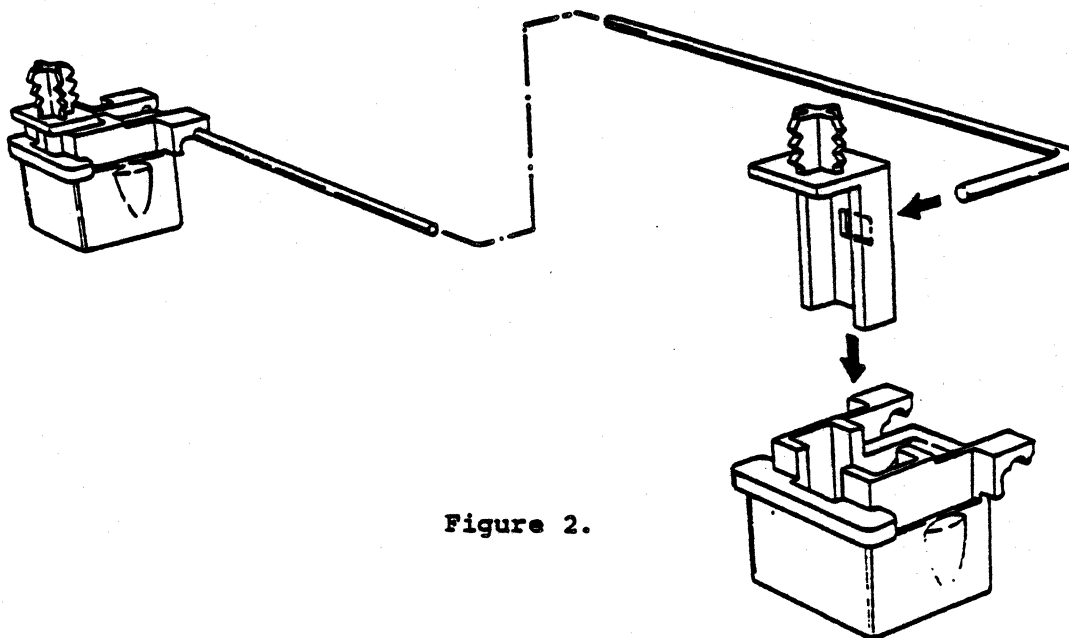


Figure 2.

SOURCE CONTROL DRAWING

CONTROL DATA CORPORATION	SOURCE/CROSS REFERENCE LIST VIKING TTY KEYBOARD	CODE IDENT 15920	A	DWG NO 66330697- 66330711	REV A PG 15
--------------------------	--	---------------------	---	---------------------------------	-------------------

Requirement A10

Burn-In Requirement:

None required.

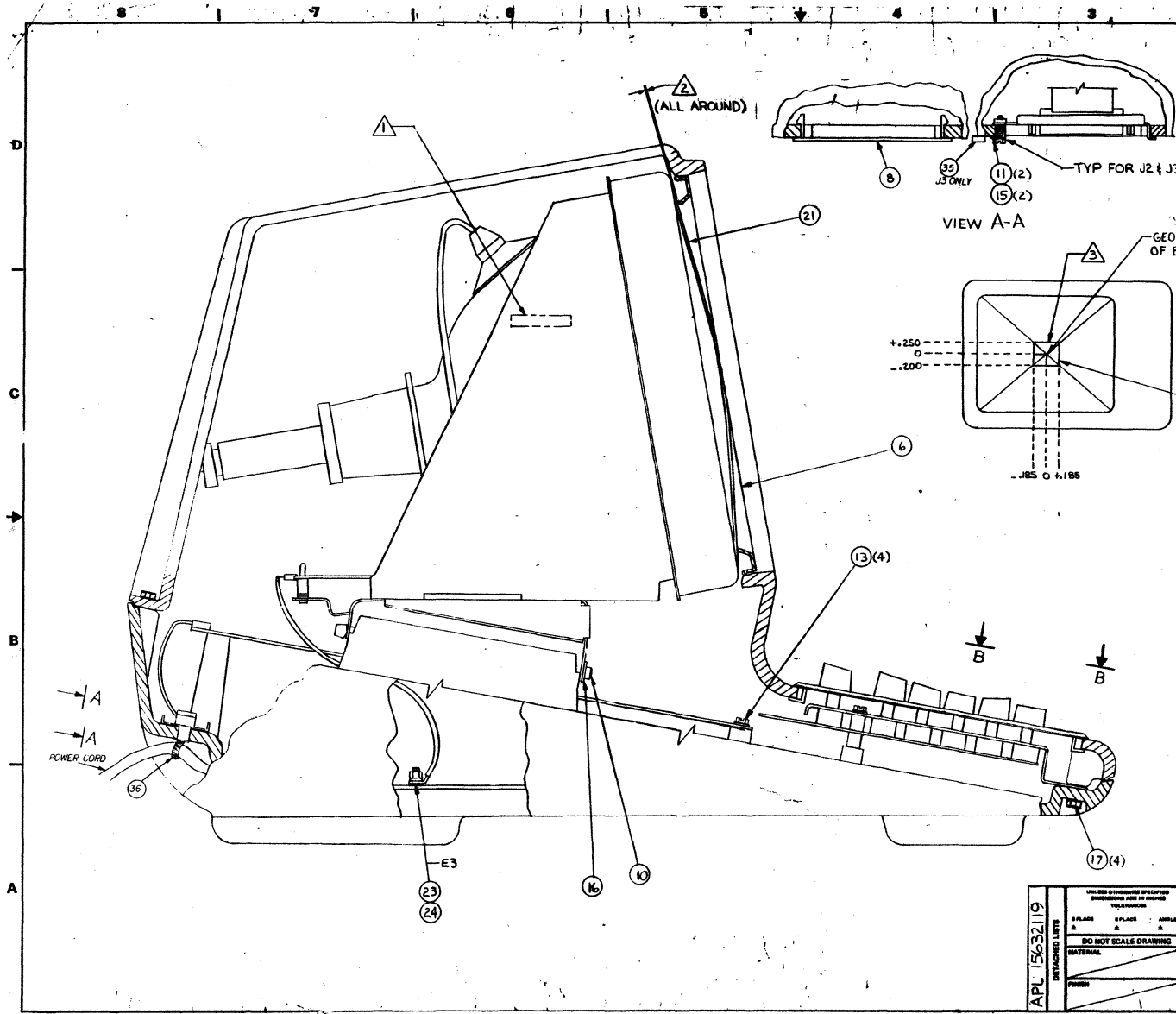
Description:

Crystal, 5.9904 MHZ

- A. Metal encapsulated
- B. Dual leads
- C. Length of body 0.500 inch nominal
- D. Width of body 0.375 inch nominal

SOURCE CONTROL DRAWING

	SOURCE/CROSS	CODE IDENT		DWG NO	REV
CONTROL DATA	REFERENCE LIST	15920	! A	66330697-	A
CORPORATION	VIKING TTY KEYBOARD			66330711	PG 16

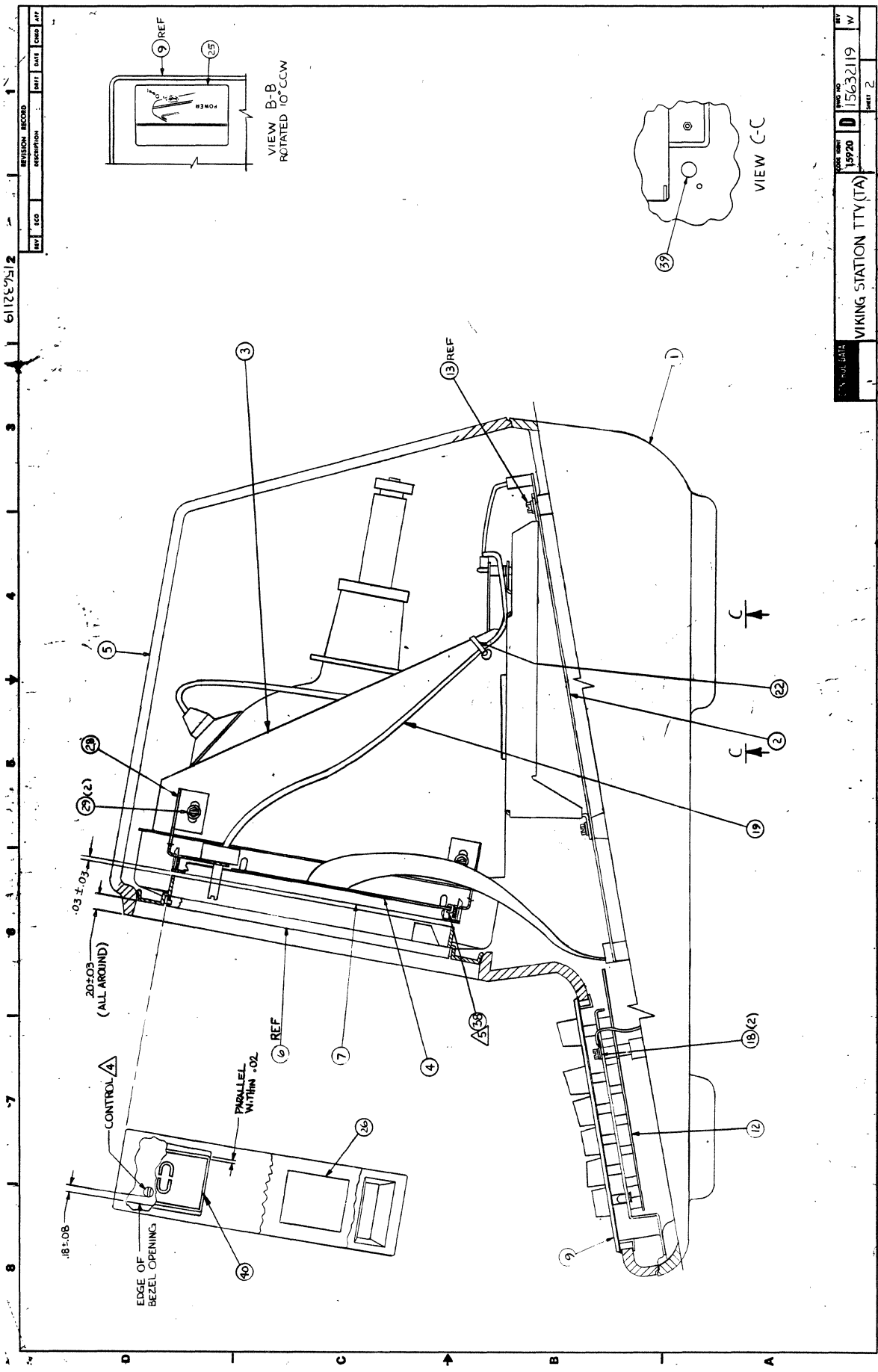


6112E951 2

REV	ECO	DESCRIPTION	BY	DATE	CHKD	APP
00	5004-41	RELEASED CLASS		12-7-79		
01	60927	A SIZE DUG GRABLES O	WJG	12-7-79	WJG	WJG
02	15063	ADD T. SILE. DUGS	WJG	12-20-79	WJG	WJG
03	50993	ADD F/N 28 TVAL 32	WJG	12-20-79	WJG	WJG
04	51046	CHG MTS INSTR IN PNL EXT	WJG	12-20-79	WJG	WJG
05	12977-79	RELEASED CLASS A				
06	16104	REVISED P/E ECO	WJG	1-1-80	WJG	WJG
07	16224	REVISED TEL ECO	WJG	1-1-80	WJG	WJG
08	16262	APL CHANGE ONLY	WJG	1-1-80	WJG	WJG
09	16294	APL CHANGE ONLY	WJG	10-7-80	WJG	WJG
10	17335	APL CHANGE ONLY	MD	12-20-79	WJG	WJG
11	16353	ADD F/N 27 & 28	MD	12-20-79	WJG	WJG
12	16414	REVISED P/E ECO	WJG	1-1-80	WJG	WJG
13	14487	CHG F/N 35	WJG	1-17-81	WJG	WJG
14	14503	APP F/N 32 CHG QTY F/N 27	DS	5-2-81	WJG	WJG
15	14530	ADD F/N 39, CHG APL 2, 12	DS	5-6-81	WJG	WJG
16	14634	PL CHANGE ONLY 24, 29	DS	4-24-81	WJG	WJG
17	14641	DELETE F/N 17, CHG QTY F/N 27	WJG	5-6-81	WJG	WJG
18	14673	CHG F/N 2	WJG	5-18-81	WJG	WJG
19	14640	PL CHANGE ONLY	EE	1-14-81	WJG	WJG
20	14748	CHG F/N 15	WJG	6-2-81	WJG	WJG
21	14753	PL CHANGE ONLY F/N 12	DS	6-27-81	WJG	WJG
22	14827	PL CHANGE ONLY	R	1-16-81	WJG	WJG
23	14991	PL CHANGE ONLY	EE	11-19-81	WJG	WJG
24	14956	ADDED LOGO	WJG	1-27-81	WJG	WJG
25	15045	F/N 12 WAS 51940700	EE	3-1-81	WJG	WJG
26	15335	CHG F/N 31, 24	WJG	1-17-81	WJG	WJG
27	17706	CHANGE F/N 12	EE	1-17-81	WJG	WJG

- NOTES:
- 1 MARK "TLA 15632119" IN AREA SHOWN PER CDC SPEC 10121508.
  - 2 GAP BETWEEN VIDEO FILTER & BEZEL SHALL NOT EXCEED .070 MAX.
  - 3 GEOMETRIC CENTER OF RASTER SHALL FALL WITHIN AREA SHOWN.
  - 4 IT IS PERMISSIBLE TO ADJUST POSITION OF CONTROL BY REMOVING BEZEL AND LOOSENING UPPER RIGHT HAND SCREW OF DISPLAY ASSY. TIGHTEN SCREW BEFORE REPLACING BEZEL.
  - 5 POSITION ITEM 38 DIRECTLY OVER MOUNTING TAB.

APL 15632119 DETACHED LISTS	UNLESS OTHERWISE SPECIFIED DIMENSIONS ARE IN INCHES TOLERANCES		TITLE	
	APL 15632119	CC628A	VIKING STATION TTY (TA)	
	DO NOT SCALE DRAWING	DATE 12-20-79	CODE SHEET	DRAWING NO
	MATERIAL	15920	D	15632119
DESIGNER	DATE 12-20-79	SCALE 1/1	INCH 15632119	SHEET 1 OF 2



REV	ECO	REVISION RECORD	DATE	BY	CHKD	APP'D

DATE	19920	REV	IV
WORK ORDER NO.	15632119	REV	IV
VIKING STATION TTY (TA)		REV	IV
PART 2		REV	IV

BUILD ARC 440

### ASSEMBLY PARTS LIST

PRINT DATE 04-29-82 PAGE 1 FILE CHANGE NO. 00015045

DIV.	ASSEMBLY NUMBER	CD	REV.	ENGR.	DESCRIPTION	MC	STATUS	STATUS DATE	ENGR. RESP.	FILE DATE			
0860	15632119	Z	Y	D	TERM, VIK TTY 50/60HZ (TA)	6	REL	04-09-80	CC628A	04-29-82			
ITEM NO	LI	PART NUMBER	CD	QTY	U/M	PART DESCRIPTION	MC	YLD	ECO. NO. IN	ECO. NO. OUT	S/N	WE IN	WE OUT
001	01	61408539	7	1		PC BASE ASSY (VIKING TTY)	G						
002	03	90446254	6	1		PC REPLACED BY 90446277 14530	S	14262	14530			8034	8107
002	04	90446277	7	1		PC REPLACED BY 90446308 14675	S	14530	14675			8107	8125
002	05	90446308	8	1		PC PC CD ASSY 98TD (VIKING TTY)	S	14675				8125	
003	01	51940686	2	1		PC MONITOR DSPLY 12IN. RASTER SCA	P						
004	01	90446156	3	1		PC PC ASSY (5W PNL TTY)	S						
005	02	71493221	7	1		PC REPLACED BY 71493375 14640	P	14294	14640			8037	8127
005	03	71493375	1	1		PC HOOD SHIELDED VIKTTY	P	14640				8127	
006	02	71493222	5	1		PC BEZEL DOOR TTY SHIELDED	P	14294				8037	
007	01	71493056	7	1		PC PNL SW	P						
008	01	71492646	6	1		PC COVER, I/O ENTRY (PLASTIC)	P						
009	01	71493057	5	1		PC MASK KYBD	P						
010	01	71492610	2	1		PC ROD, PIVOT (CRS)	P						
011	01	51859117	7	2		PC SCR TP6 HEX SLT (6) 1/2L6 STL	B		14414				8110
011	02	00860306	0	2		PC MSCR HEX-LK PLN 6-32X3/4 STL	B	14414	14941			8110	8151
011	03	00860304	5	2		PC MSCR HEX-LK PLN 6-32X1/2 STL	B	14941				8151	
012	01	51940698	7	1		PC REPLACED BY 51940699 14530	P		14530				8107
012	02	51940699	5	1		PC REPLACED BY 51940700 14753	P	14530	14753			8107	8129
012	03	51940700	1	1		PC REPLACED BY 51940701 15045	P	14753	15045			8129	8218
012	04	51940701	9	1		PC KYBD, 85 KEY TTY	P	15045				8218	
013	01	51858530	2	4		PC SCR TP6 HEX-WSHR SLT 8X1/2L	B						
015	01	10125605	5	2		PC WSHR, NO.6 TYP A PLN STL ZP	B		14748	14748			8139
015	02	71493377	7	2		PC WASHER RECTANGULAR	B	14748				8139	
016	01	92033008	1	1		PC RING, RTNS TYP C .250 SHAFT	B						
017	01	00860313	6	4		PC MSCR HEX-LK PLN 8-32X5/8 STL	B		14395				8049

BUILD ARC 440

### ASSEMBLY PARTS LIST

PRINT DATE 04-29-82 PAGE 2 FILE CHANGE NO. 00015045

DIV.	ASSEMBLY NUMBER	CD	REV.	ENGR.	DESCRIPTION	MC	STATUS	STATUS DATE	ENGR. RESP.	FILE DATE			
0860	15632119	Z	Y	D	TERM, VIK TTY 50/60HZ (TA)	6	REL	04-09-80	CC628A	04-29-82			
ITEM NO	LI	PART NUMBER	CD	QTY	U/M	PART DESCRIPTION	MC	YLD	ECO. NO. IN	ECO. NO. OUT	S/N	WE IN	WE OUT
017	02	00860312	8	4		PC MSCR HEX-LK PLN 8-32X1/2 STL	B	14395				8049	
018	01	51858535	1	2		PC SCR TP6 HEX-WSHR SLT 8X1-1/4L	B						
019	01	61408810	2	1		PC REPLACED BY 61409138 14640	A		14640				8127
019	02	61409138	7	1		PC CBL ASSY CRT/BRIGHTNESS	A	14640				8127	
021	01	51918291	9	1		PC VIDEO FILTER 12IN DIA6	P						
022	01	94277400	1	1		PC STRAP, CBL TIE TYP 1 TO 5/8	B						
023	02	10126403	4	2		PC WSHR, NO.10 EXT/T LK STL ZP	B	14104				8024	
024	01	10125108	0	2		PC NUT, HEX 10-32 MSCR STL ZP	B						
025	01	71493086	4	1		PC DECAL INDICATOR	P						
026	01	71493107	8	1		PC DECAL SWITCH PANEL	P						
027	01	71493143	3	1		PC COVER RFI ENC	P		14241				8034
028	03	71493283	7	1		PC REPLACED BY 71493098 14827	P	14503	14827			8107	8214
028	04	71493098	9	1		PC BRKT SW PNL	P	14827				8214	
029	01	51858519	5	2		PC SCR TP6 HEX-WSHR SLT 6X3/8L	B		14503				8107
029	02	51858519	5	4		PC SCR TP6 HEX-WSHR SLT 6X3/8L	B	14503	14634			8107	8123
029	03	51917779	4	4		PC SCREW HEX WSHR HD 6-20X3/8	B	14634	14661A			8123	8123
029	04	51917779	4	2		PC SCREW HEX WSHR HD 6-20X3/8	B	14661A				8123	
031	01	61391118	9	1		PC GND WIRE ASSY (10.0IN 16AWG)	A		14104				8024
032	01	61391116	3	1		PC GND WIRE ASSY (5.5IN 16AWG)	A		14104				8024
033	01	66312525	0	REF		PC CAPACITIVE SPRING	P	14104				8024	
034	01	66312197	8	REF		PC SOURCE/CROSS REF LIST	D	14104				8024	
035	01	94343204	7	1		PC MOUNT CABLE TIE #6 SCREW	P	14353	14487			8048	8119
035	02	94343210	4	1		PC MOUNT CABLE TIE #8 SCREW TY 3	P	14487				8119	
036	01	94277404	3	1		PC STRAP CABLE TIE	B	14353				8048	



BUILD ARC 440										ASSEMBLY PARTS LIST				PRINT DATE	PAGE	FILE CHANGE NO.			
										03-30-83		1		04-09-80		CC628A		03-30-83	
ORG	LI	ASSEMBLY NUMBER	CD	REV.	QTY	U/M	DESCRIPTION	INC	STATUS	STATUS DATE	ENG. DESG.	FILE DATE							
0860		15632119	2	D			TERM, VIK TTY 50/60HZ (TA)	G	REL	04-09-80	CC628A	03-30-83							
TRND NO	LI	PART NUMBER	CD	QTY	U/M	PART DESCRIPTION	INC	YLD	SCD. NO. IN	SCD. NO. OUT	S/N	WE IN	WE OUT						
001	01	61408539	7	1		PC BASE ASSY (VIKING TTY)	G												
002	05	90446308	0	1		PC PC CD ASSY 9BTD (VIKING TTY)	S		14675			8125							
003	01	51940686	2	1		PC DSPL (12IN) PAS-SCAN WHITE P4	P												
004	01	90446156	3	1		PC PC ASSY (SW PNL TTY)	S												
005	03	71493375	1	1		PC HOOD SHIELDED VIKTTY	P		14640			8127							
006	02	71493222	5	1		PC BEZEL/DOOR, SHIELDED (TTY)	P		14294			8037							
007	01	71493056	7	1		PC PNL SW	P												
008	01	71492646	6	1		PC COVER, I/O ENTRY (PLASTIC)	P												
009	01	71493057	5	1		PC MASK KYBD	P												
010	01	71492610	2	1		PC ROD, PIVOT (CRS)	P												
011	03	00060364	5	2		PC NSCR HEX-LK PLN 6-32X1/2 STL	B		14941			8151							
012	03	51940700	1	1		PC REPLACED BY 51940701 15045	P		14753	15045		8129	8210						
012	04	51940701	1	1		PC KYBD, 85 KEY TTY	P		15045	17000		8210	8513						
013	01	51858530	2	4		PC SCR TPO HEX-WSHR SLT 8X1/2L	B												
015	02	71493377	7	2		PC WASHER RECTANGULAR	B		14748			8139							
016	01	92033000	1	1		PC RING, RTNG TYP C .250 SHAFT	B												
017	02	00060312	8	4		PC NSCR HEX-LK PLN 6-32X1/2 STL	B		14395			8049							
018	01	51858535	1	2		PC SCR TPO HEX-WSHR SLT 8X1-1/4L	B												
019	02	61409138	7	1		PC CBL ASSY CRT/BRIGHTNESS	S		14640			8127							
021	01	51918291	9	1		PC VIDEO FILTER 12IN DIA	P												
022	01	94277400	1	1		PC STRAP, CBL TIE TYP-1 TO 5/8	B												

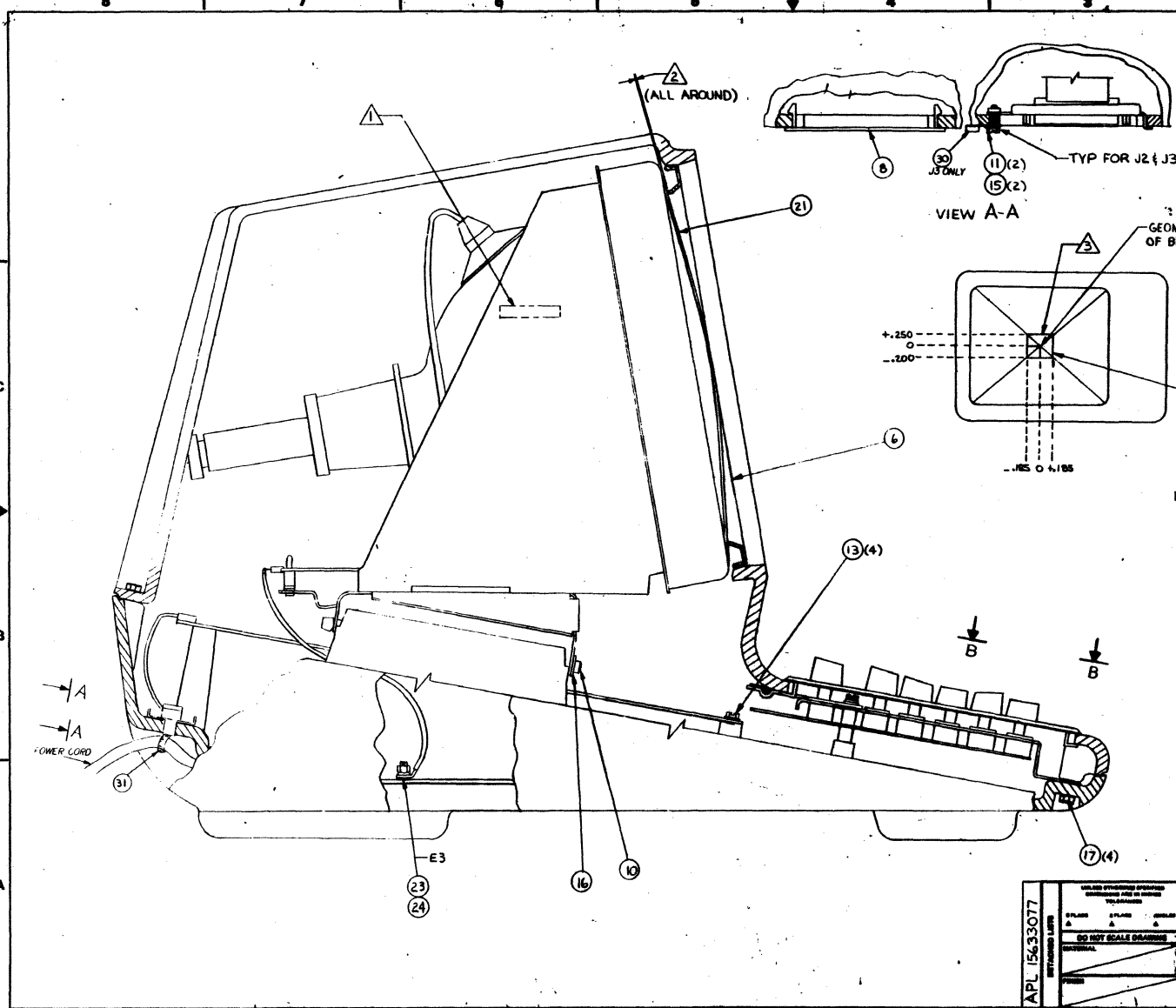
BUILD ARC 440										ASSEMBLY PARTS LIST				PRINT DATE	PAGE	FILE CHANGE NO.			
										03-30-83		2		04-09-80		CC628A		03-30-83	
ORG	LI	ASSEMBLY NUMBER	CD	REV.	QTY	U/M	DESCRIPTION	INC	STATUS	STATUS DATE	ENG. DESG.	FILE DATE							
0860		15632119	2	D			TERM, VIK TTY 50/60HZ (TA)	G	REL	04-09-80	CC628A	03-30-83							
TRND NO	LI	PART NUMBER	CD	QTY	U/M	PART DESCRIPTION	INC	YLD	SCD. NO. IN	SCD. NO. OUT	S/N	WE IN	WE OUT						
023	02	10126403	4	2		PC WSHR, (10) EXT/T LK STL ZP	B		14104	15833		8024	8313						
023	03	10126403	4	1		PC WSHR, (10) EXT/T LK STL ZP	B		15833			8313							
024	01	10125108	0	2		PC NUT, HEX 10-32 NSCR STL ZP	B			15833		8313	8313						
024	02	92376014	4	1		PC NUT, SELF-LOCKING 10-32	B		15833			8313							
025	01	71493086	4	1		PC DECAL INDICATOR	P												
026	01	71493187	8	1		PC DECAL SWITCH PANEL	P												
028	04	71493098	9	1		PC BRKT SW PNL	P		14027			8214							
029	04	51917779	4	2		PC SCR TPO HEX/W SLT (6) 3/8L B	B		14641A			8123							
033	01	66312525	0	REF		PC CHERRY-010-0340 SPO, DUAL-RTN	P		14104			8024							
034	01	66312197	8	REF		PC SOURCE/CROSS REF LIST	D		14104			8024							
035	02	94343210	4	1		PC MOUNT CABLE TIE #8 SCREW TY 3	P		14487			8119							
036	01	94277404	3	1		PC STRAP, CBL TIE TYP-2 TO 1-3/4	B		14353			8048							
038	01	00845501	6	020		PC GROM, CAT .056R .155W 12.78L	B		14503			8107							
039	01	93522018	6	1		PC PLUG, SNAP BUTTON 1/4 DIA HO	P		14830A			8107							
040	01	51918435	2	1		PC EMBLEM, CDC ID	P		14958			8152							
0035 TOTAL LINES																			

2-26

6294004 K

15633077

REV	REV	BY	DATE	APP
1	1			
2	2			
3	3			
4	4			
5	5			
6	6			
7	7			
8	8			
9	9			
10	10			
11	11			
12	12			
13	13			
14	14			
15	15			
16	16			
17	17			
18	18			
19	19			
20	20			
21	21			
22	22			
23	23			
24	24			
25	25			
26	26			
27	27			
28	28			
29	29			
30	30			
31	31			
32	32			
33	33			
34	34			
35	35			
36	36			
37	37			
38	38			
39	39			
40	40			



- NOTES:
- 1 MARK "TLA 15633077" IN AREA SHOWN PER CDC SPEC 10121508.
  - 2 GAP BETWEEN VIDEO FILTER & BEZEL SHALL NOT EXCEED .070 MAX.
  - 3 GEOMETRIC CENTER OF RASTER SHALL FALL WITHIN AREA SHOWN.
  - 4 IT IS PERMISSIBLE TO ADJUST POSITION OF CONTROL BY REMOVING BEZEL AND LOOSENING UPPER RIGHT HAND SCREW OF DISPLAY ASSY. TIGHTEN SCREW BEFORE REPLACING BEZEL.
  - 5 POSITION ITEM 27 DIRECTLY OVER MOUNTING TAB.

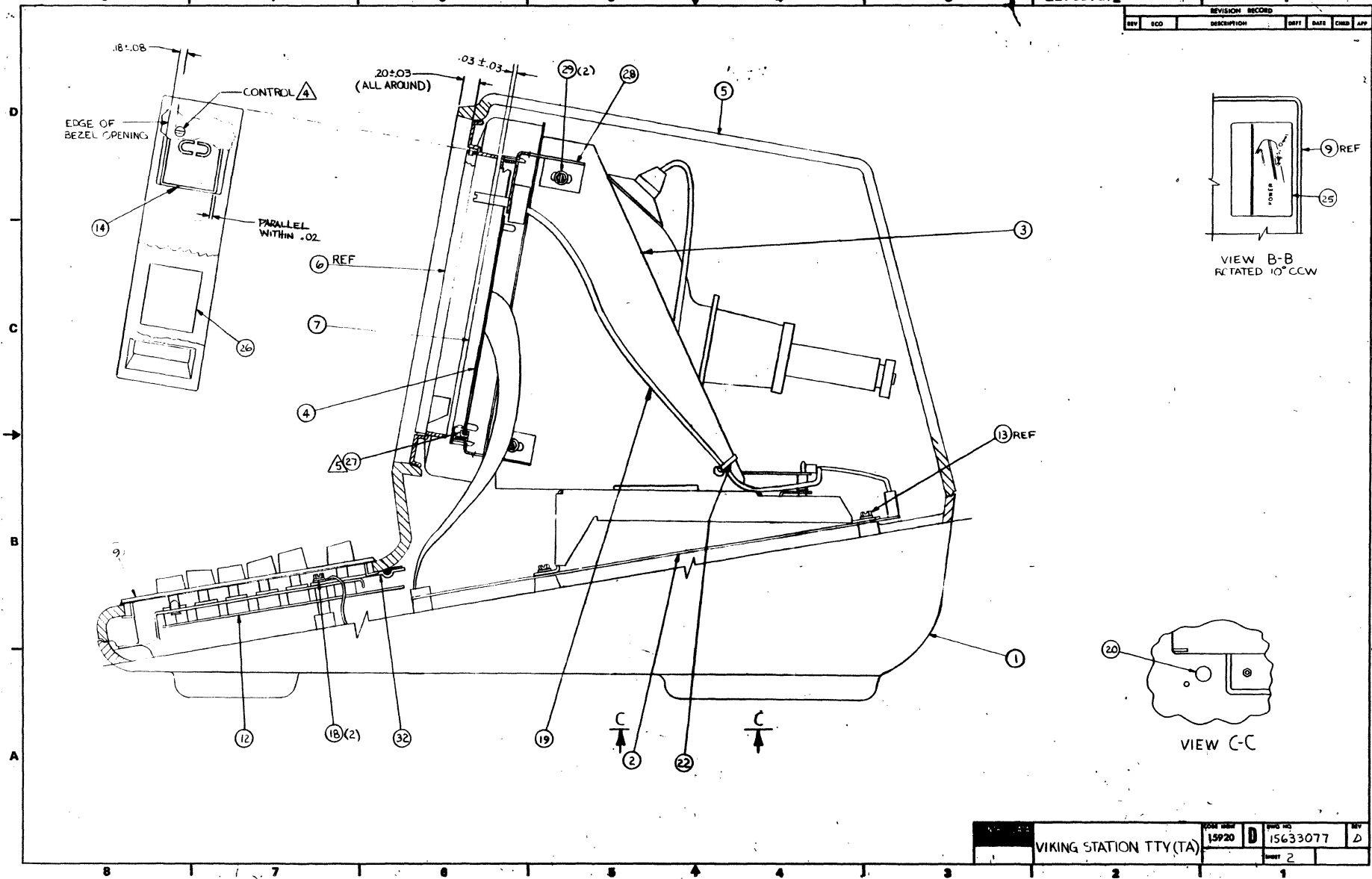
APL 15633077	UNLESS OTHERWISE SPECIFIED DIMENSIONS ARE IN INCHES	TITLE
	DO NOT SCALE DRAWING	VIKING STATION TTY (TA)
PLANS	CC628-B	
DRAWN	W. J. [unclear]	
CHECKED	[unclear]	
DATE	1-4-62	
SCALE	1/1	
DRWING NO	15633077	
DATE	1-4-62	
REV	1	
REV	2	
REV	3	
REV	4	
REV	5	
REV	6	
REV	7	
REV	8	
REV	9	
REV	10	
REV	11	
REV	12	
REV	13	
REV	14	
REV	15	
REV	16	
REV	17	
REV	18	
REV	19	
REV	20	
REV	21	
REV	22	
REV	23	
REV	24	
REV	25	
REV	26	
REV	27	
REV	28	
REV	29	
REV	30	
REV	31	
REV	32	
REV	33	
REV	34	
REV	35	
REV	36	
REV	37	
REV	38	
REV	39	
REV	40	

62940004 K

2-26.1

15633077

REVISION RECORD					
REV	ECO	DESCRIPTION	DATE	CHKD	APP



VIKING STATION TTY (TA)

FORM NO. 15920	D	REV. NO. 15633077	REV. D
SHEET 2		1	

BUILD ARC 440

**ASSEMBLY PARTS LIST**

PRINT DATE 11-17-83 PAGE 2 FILE CHANGE NO. 16354

DIV	ASSEMBLY NUMBER	CD	REV.	DWG.	DESCRIPTION	MC	STATUS	STATUS DATE	ENG. RESP.	FILE DATE			
0860	15633077	1	D	D	TERM, VIKING TTY 50/60HZ (TA)	G	REL	03-15-82	CC6288	11-17-83			
TRND NO.	LI	PART NUMBER	CD	QTY	U/M	PART DESCRIPTION	MC	YLD	ECO. NO. IN	ECO. NO. OUT	S/W	WK IN	WK OUT
022	01	94277400	1	1		PC STRAP, CBL TIE TYP-1 TO 5/8	M						
023	01	10126403	4	2		PC WSHR, (10) EXT/T LK STL ZP	U		15833	15833		8313	8313
023	02	10126403	4	1		PC WSHR, (10) EXT/T LK STL ZP	U						
024	01	10125108	0	2		PC NUT, HEX 10-32 MSCR STL ZP	M			15833			8313
024	02	92376014	4	1		PC NUT, HEX/LG-LKG 10-32 II STL	M		15833			8313	
025	01	71493086	4	1		PC DECAL INDICATOR	P						
026	01	71493107	4	1		PC DECAL SWITCH PANEL	P						
027	01	00845501	6	020		PC GROM, CAT .056R .155W 12.78LG	B						
028	01	71493098	9	1		PC BRKT SW PNL	P						
029	01	51917779	4	2		PC SCR TPG HEX/W SLT (6) 3/8L B	B						
030	01	94343210	4	1		PC MOUNT CABLE TIE #8 SCREW TY 3	P						
031	01	94277404	3	1		PC STRAP, CBL TIE TYP-2 TO 1-3/4	M			16104			8331
031	02	94277411	8	1		PC STRAP, CBL TIE TYP-1 TO 1-1/8	M		16104			8331	
032	01	61409734	3	1		PC PLATE ASSY, R.F.I.	N		16354			8405	
0035 TOTAL LINES													

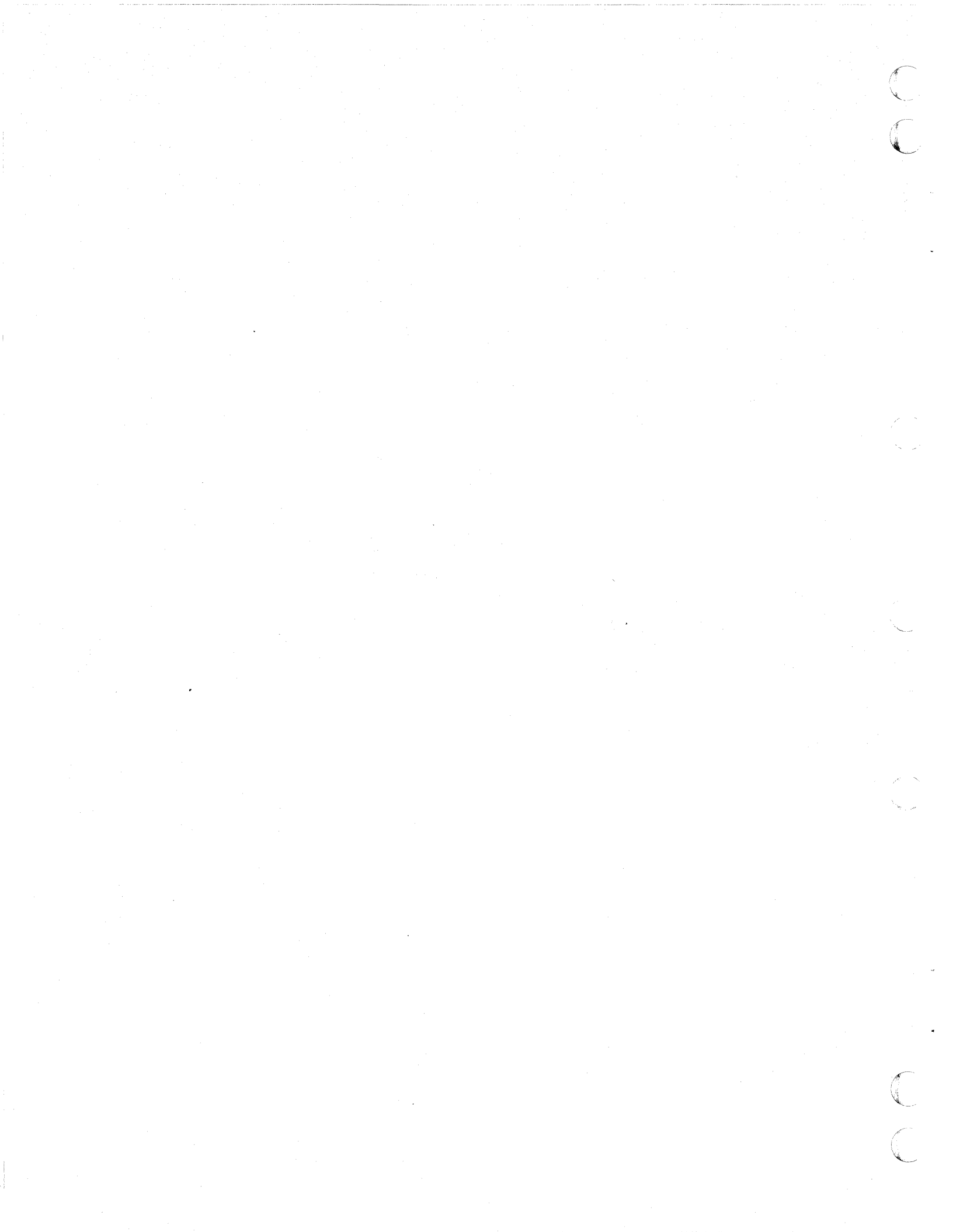
BUILD ARC 440

**ASSEMBLY PARTS LIST**

PRINT DATE 11-17-83 PAGE 1 FILE CHANGE NO. 16354

DIV	ASSEMBLY NUMBER	CD	REV.	DWG.	DESCRIPTION	MC	STATUS	STATUS DATE	ENG. RESP.	FILE DATE			
0860	15633077	1	D	D	TERM, VIKING TTY 50/60HZ (TA)	G	REL	03-15-82	CC6288	11-17-83			
TRND NO.	LI	PART NUMBER	CD	QTY	U/M	PART DESCRIPTION	MC	YLD	ECO. NO. IN	ECO. NO. OUT	S/W	WK IN	WK OUT
001	01	61408539	7	1		PC BASE ASSY (VIKING TTY)	G						
002	01	90446308	0	1		PC CD ASSY 98TD VIKING TTY	S						
003	01	51940686	2	1		PC DSPL (12IN) RAS-SCAN WHITE P4	P						
004	01	90446156	3	1		PC PC ASSY (SW PNL TTY)	S						
005	01	71493375	1	1		PC HOOD SHIELDED VIKTTY	P						
006	01	71493222	5	1		PC BEZEL/DOOR, SHIELDED (TTY)	P						
007	01	71493056	7	1		PC PNL SW	P						
008	01	71492646	6	1		PC COVER, I/O ENTRY (PLASTIC)	P						
009	01	71493057	5	1		PC MASK KYBD	P						
010	01	71492610	2	1		PC ROD, PIVOT (CRS)	P						
011	01	00860304	5	2		PC MSCR HEX-LK PLN 6-32X1/2 STL	B						
012	01	51941197	9	1		PC KYBD, 85-KEY TTY MICROPROC	P						
013	01	51858530	2	1		PC SCR TPG HEX-WSHR SLT 8X1/2L	B						
014	01	51918435	2	1		PC EMBLEM, CDC ID	P						
015	01	71493377	7	2		PC WASHER RECTANGULAR	B						
016	01	92033008	1	1		PC RING, RTNG TYP-C .250 SHAFT	B						
017	01	00860312	8	1		PC MSCR HEX-LK PLN 8-32X1/2 STL	B						
018	01	51858535	1	2		PC SCR TPG HEX-WSHR SLT 8X1-1/4L	B						
019	01	61409138	7	1		PC CBL ASSY CRT/BRIGHTNESS	S						
020	01	93522018	6	1		PC PLUG, SNAP BUTTON 1 1/4 DIA HO	P						
021	01	51918291	9	1		PC VIDEO FILTER 12IN DIAG	P						





BUILD ARC 440

**ASSEMBLY PARTS LIST**

PRINT DATE	PAGE	FILE CHANGE NO.
03-30-83	1	00015833

DIV.	ASSEMBLY NUMBER	CD	REV.	DWG.	DESCRIPTION	MC	STATUS	STATUS DATE	ENG. RESP.	FILE DATE			
0860	61408539	7	N	D	BASE ASSY (VIKING TTY)	G	REL	03-26-80	CC628A	03-30-83			
TRND NO	LI	PART NUMBER	CD	QTY	U/M	PART DESCRIPTION	MC	YLD	ECO. NO. IN	ECO. NO. OUT	S/N	WE IN	WE OUT
001	03	71493376	9	1		PC BASE SHIELDED VIKTTY	P		14640			8127	
002	02	61408984	5	1		PC TRANSFORMER ASSY	A		14241			8034	
003	02	51782143	5	1		PC CB, THRM 250VAC .8A 1.7R F-2	P		14104			8024	
004	01	51918306	5	1		PC SW, AC PWR 2-POS SPDT SLIDE	P						
005	01	71493108	6	1		PC BASE PLATE/RFI FINGER ASSY	P						
006	01	71492623	5	1		PC ACTUATOR, PWR SWITCH (PLSTC)	P						
007	01	15165425	8	1		PC CBL, 9FT-10IN PWR FIG-1 125V	P		15658	15658		8302	8302
007	02	51918299	2	1		PC CABLE 3 CONDUCTOR 9FT 10 IN	P		15658			8302	
008	01	61408878	9	1		PC LINE FILTER ASSY	A						
010	04	10126403	4	12		PC WSHR, (10) EXT/T LK STL ZP	B		14353	15833		8048	8313
010	05	10126403	4	5		PC WSHR, (10) EXT/T LK STL ZP	B		15833			8313	
011	01	51858530	2	2		PC SCR TP6 HEX-WSHR SLT 8X1/2L	B						
012	02	10125108	0	5		PC NUT, HEX 10-32 MSCR STL ZP	B		14104	15833		8024	8313
012	03	92376014	4	5		PC NUT, SELF-LOCKING 10-32	B		15833			8313	
013	01	10125026	4	2		PC MSCR HEX PLN 8-32X.188 STL ZP	B						
014	01	10126402	6	2		PC WSHR, (8) EXT/T LK STL ZP	B						
017	01	61408877	1	1		PC WIRE ASSY PWR RECPT/GND	A						
019	01	44674034	2	1		PC CONN POWER RECEPT	P						
020	01	51858501	3	2		PC SCR TP6 HEX-WSHR SLT 10X1/2L	B						
021	02	61409074	4	1		PC SWITCH ASSY VOLTAGE SELECTOR	A		14431			8114	
023	01	10127104	7	2		PC MSCR PAN PHL 4-40X.375 STL ZP	B						
024	01	10125801	0	2		PC WSHR, NO.4 SP6 LOCK STL ZP	B						

BUILD ARC 440

**ASSEMBLY PARTS LIST**

PRINT DATE	PAGE	FILE CHANGE NO.
03-30-83	2	00015833

DIV.	ASSEMBLY NUMBER	CD	REV.	DWG.	DESCRIPTION	MC	STATUS	STATUS DATE	ENG. RESP.	FILE DATE			
0860	61408539	7	N	D	BASE ASSY (VIKING TTY)	G	REL	03-26-80	CC628A	03-30-83			
TRND NO	LI	PART NUMBER	CD	QTY	U/M	PART DESCRIPTION	MC	YLD	ECO. NO. IN	ECO. NO. OUT	S/N	WE IN	WE OUT
025	01	51873600	4	001		OZ VARNISH INSUL RED 8LPT	B						
026	02	71493106	0	1		PC ADAPTER, AC ENTRY	P		14104B			8024	
027	02	61391104	9	1		PC GND WIRE ASSY (4.5IN 16AWG)	A		14104B			8024	
029	04	61391120	5	1		PC GND WIRE ASSY	A		14147A			8025	
030	03	94343211	2	1		PC MOUNT CABLE TIE 10 SCREW	P		14634			8123	
031	01	51940712	6	1		PC SPACER NYLON SELF RETAINING	B		14241			8034	
032	01	94277401	9	1		PC STRAP, CBL TIE TYP-1 TO 1-3/4	B		14414			8110	
033	01	10125605	5	1		PC WSHR, NO.6 TYP A PLN STL ZP	B		14461A			8103	
034	01	18607914	1	1		PC SCR TP6 PAN PHL (6) 1/2L STL	B		14461A			8103	
						0031 TOTAL LINES							





BUILD ARC 230

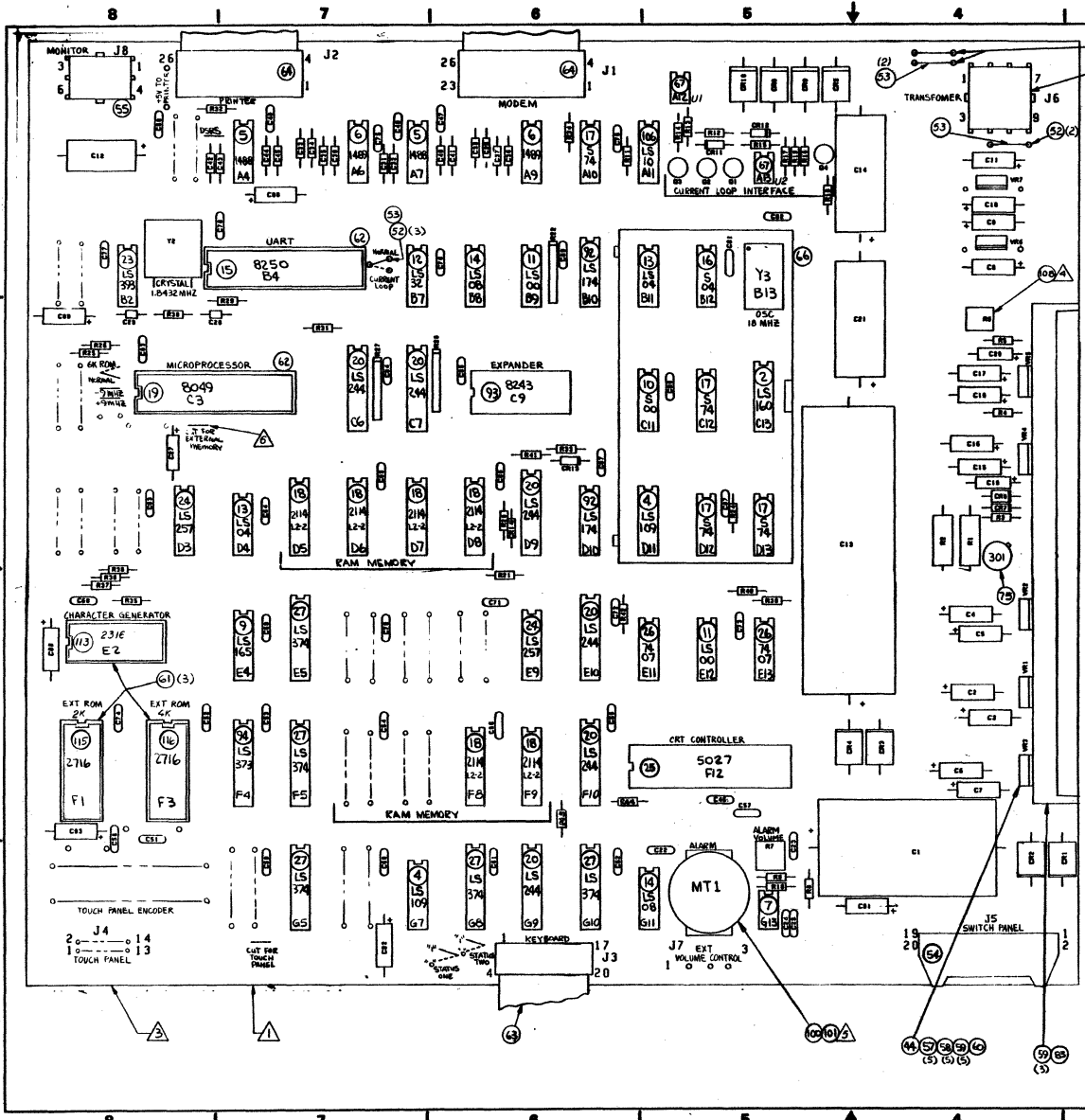
### ASSEMBLY PARTS LIST

PRINT DATE	PAGE	FILE CHANGE NO.
10-27-80	1	0014344A

DIV	ASSEMBLY NUMBER	CD	REV.	DWG.	DESCRIPTION	MC	STATUS	STATUS DATE	ENG. RESP.	FILE DATE			
0860	61408984	5	B	A	TRANSFORMER ASSY	A	REL	08-14-80	CC628A	10-27-80			
LINE NO.	LI	PART NUMBER	CD	QUANTITY	U/M	PART DESCRIPTION	MC	YLD	ECO. NO. IN	ECO. NO. OUT	S/N	WK IN	WK OUT
001	01	51940682	1	1		PC TRANSFORMER 120/220/240V	P						
002	01	61408875	5	1		PC WIRE ASSY CB/PWR SW	A						
003	01	24528639	8	2		FT TBG, NO. 1/2 INS BLK UL PVC	B		14344	14344		8043	8043
003	02	24528639	8	580		FT TBG, NO. 1/2 INS BLK UL PVC	B		14344			8043	
004	01	94277400	1	1		PC STRAP, CBL TIE TYP 1 TO 5/8	B						
005	01	24528638	0	1	480	FT TBG, NO. 3/8 INS BLK UL PVC	B		14344			8043	
0006 TOTAL LINES													

2-30

62940004



CROSS REFERENCE TABLE

FIND NUMBER	REFERENCE DESIGNATION
28	R3, R21
29	R20
30	R24 R31 R34 R35 R36 R37 R38 R39 R40 R42 R43 R44
31	R19
32	R14, R16, R32
33	R7
34	R10
35	R9
36	R15
37	R8
39	C27
40	C19, C20
41	C8, C10, C16, C17
42	C14, C21
43	C30, C31, C32, C33, C34, C35, C36 C37, C38, C39, C40, C41, C42, C43 C44, C45
44	VR1, VR2, VR3
45	VR4, VR5, VR6
46	VR7
47	Y2
48	R30
49	CR7, CR11, CR12, CR13, CR14 C22 THRU C25 C46 THRU C47
65	
68	Q2, Q3, Q4
69	G1
70	R12
71	R13, R17
72	R18, R15, R26
74	R11
76	CR1, CR2, CR3, CR4, CR5, CR6, CR7, CR10
77	CR8
78	R1, R2
80	C1
81	C12
82	C15
85	R4
86	R5
87	R6
89	Y3
95	R28
97	R29
98	C29
99	C28
104	R22, R27
111	C2, C3, C4, C5, C6, C7, C9, C11, C15, C18, C88, C89, C90, C91, C92 & C93
114	R33, R41

65190062

SHEET REVISION STATUS		REVISION RECORD					
REV	ECO	DESCRIPTION	BY	DATE	CHKD	APP	
00	5400-4.1	RELEASED CLASS		11/17/78			
01	5400-4.1	PL CHG'D	WJH	11/17/78			
02	5105-6	ADD ID FREE ASSY DRAW	WJH	11/17/78			
03	5105-7	DELETE PIN 57 20911 FIVE 4	WJH	11/17/78			
A	5407-79	SEARCHED ASSY					
B	14037	REVISED PER ECD	WJH	6/1/80			
C	14179	DELETE PINS AND PIN 18 (11)	WJH	7/23/80			
D	14241	INACTIVE - RELEASED BY 5400-4.1	WJH	1/5/80			

- NOTES:
- APPLY ASSY NO, REV LEVEL, LOC CODE, AND DATE CODE IN AREA SHOWN. MARK PER CDC SPEC 10121508; CHARACTER HEIGHT .12 (12 PT) COLOR WHITE.
  - FIND NUMBERS, ELEMENT IDENTIFIERS, AND REFERENCE DESIGNATIONS ARE FOR REFERENCE ONLY AND DO NOT APPEAR ON PART.
  - MARK "98TD" PER CDC SPEC 10121508 WHITE, IN AREA SHOWN.
  - SEAL ADJUSTMENT WITH FIND NO. 106 AFTER VOLTAGE SETTING HAS BEEN MADE.
  - BREAK OFF TAB ON TRANSDUCER FRAME AFTER SOLDERING AND INSERT DI. A. C. 1-A-1.1C SIDE DOWN.
  - CUT FOIL JUMPER AT "CUT FOR EXTERNAL MEMORY."

INACTIONE

CONTROL DATA		TITLE	
UNLESS OTHERWISE SPECIFIED TOLERANCES	FRAMES	P. C. CARD ASSEMBLY, 98TD	
FRAMES	ANGLES		
FRAMES	ANGLES		
DO NOT SCALE DRAWING	DESIGNED BY	WJH	
	CHECKED BY	WJH	
	ENGINEER	WJH	
	DATE	3-20-80	
	APPROVED	WJH	
	DATE	3-20-80	
	SCALE	N/A	
		15920 D 90446159	
		N/A 15632119 SHEET 1 OF 1	

APL 90446159

DETACHED LISTS	
1	1
2	2
3	3
4	4
5	5
6	6
7	7
8	8
9	9
10	10
11	11
12	12
13	13
14	14
15	15
16	16
17	17
18	18
19	19
20	20

BUILD ARC 214

**ASSEMBLY PARTS LIST**

PRINT DATE 08-21-80 PAGE 1 FILE CHANGE NO. 00014241

DIV.		ASSEMBLY NUMBER		REV.	DWG.	DESCRIPTION		MC	STATUS	STATUS DATE	ENG. RESP.	FILE DATE		
0860		90446159		7	D	REPLACED BY 90446253 14241		S	INA	08-19-80	CC628A	08-21-80		
ITEM NO.	LI	PART NUMBER	CD	QUANTITY	U/M	PART DESCRIPTION		MC	YLD	ECC. NO. IN	ECC. NO. OUT	S/N	WK IN	WK OUT
001	01	90446158	9	1		PC PWB 98TD		P						
002	01	15163439	1	1		PC IC 74LS160 BCD DECADE COUNTER		P						
004	01	15148000	1	2		PC IC 74LS139 TTL JKFF DUAL		P						
005	01	36186400	2	2		PC IC MC1488 900 DTL QD LN DRVR		P		14037	14037		8044	8044
005	02	15163463	1	2		PC IC 1488 QUAD LINE DRVR		P					8044	
006	01	15163326	1	2		PC IC 1489A		P						
007	01	15112100	1	1		PC IC NE555 916 TIMER 8-PIN		P						
008	02	15135300	0	3		PC IC 2716 MOS 2KX8 16384B EROM		P		14037	14037		8032	8032
008	03	15135300	0	2		PC IC 2716 MOS 2KX8 16384B EROM		P			14179		8032	8032
009	01	15163415	1	1		PC IC 74LS165 8B SHIFT REGISTER		P						
010	01	88884500	5	1		PC IC 74S00 140S TTL QD 2IN NAND		P						
011	01	15144900	6	2		PC IC 74LS00 140LS QUAD 2-1NP		P						
012	01	15146200	9	1		PC IC 74LS32 218LS Q2INP OR		P						
013	01	15145100	2	2		PC IC 74LS04 146LS TTL HEX INV		P						
014	01	15145400	6	2		PC IC 74LS08 201LS Q2INP AND		P						
015	01	15163462	3	1		PC IC T8250 COMM UNIT BRAUD RATE		P						
016	01	88883700	2	1		PC IC 74S04 146S TTL HEX INVTR		P						
017	01	88923000	9	4		PC IC 74S74 TTL DUAL		P						
018	01	15163400	3	6		PC IC 2114L2-2 TTL 1KX4 RAM		P						
019	01	66305932	7	1		PC BIT MAP 8 BIT MICRO TYPE 8049		P						
020	01	15163414	4	6		PC IC 74LS244 OCTAL BFR 3-5 OP		P						
023	01	15163419	3	1		PC IC 74LS393 DL 4B BIN COUNTER		P						

BUILD ARC 214

**ASSEMBLY PARTS LIST**

PRINT DATE 08-21-80 PAGE 2 FILE CHANGE NO. 00014241

DIV.		ASSEMBLY NUMBER		REV.	DWG.	DESCRIPTION		MC	STATUS	STATUS DATE	ENG. RESP.	FILE DATE		
0860		90446159		7	D	REPLACED BY 90446253 14241		S	INA	08-19-80	CC628A	08-21-80		
ITEM NO.	LI	PART NUMBER	CD	QUANTITY	U/M	PART DESCRIPTION		MC	YLD	ECC. NO. IN	ECC. NO. OUT	S/N	WK IN	WK OUT
024	01	15164402	8	5		PC IC 74LS257 TTL SELECTOR/MUX		P		14037	14037		8032	8032
024	02	15164402	8	2		PC IC 74LS257 TTL SELECTOR/MUX		P					8032	
025	01	15163428	4	1		PC IC 5027 CRT VIDEO TIMER CONTL		P						
026	01	88883200	3	2		PC IC 7407 227 HEX BFR DRVR (OC)		P						
027	01	15163404	5	6		PC IC 74LS374 OCTAL D-EDGE F-F		P		14037	14037		8032	8032
027	02	15163404	5	5		PC IC 74LS374 OCTAL D-EDGE F-F		P					8032	
028	01	94402143	5	2		PC RES FM 300 OHM 1/4W CARBON		P						
029	01	94402126	0	3		PC RES FM 56 OHM 1/4W CARBON		P		14037	14037		8032	8032
029	02	94402126	0	1		PC RES FM 56 OHM 1/4W CARBON		P					8032	
030	01	94402156	7	12		PC RES FM 1K OHM 1/4W CARBON		P						
031	01	94402148	4	1		PC RES FM 470 OHM 1/4W CARBON		P						
032	01	94402180	7	3		PC RES FM 10K OHM 1/4W CARBON		P						
033	01	51785534	2	1		PC RES VAR CERM 10KOHM 5W		P						
034	01	94402182	3	1		PC RES FM 12K OHM 1/4W CARBON		P						
035	01	94402187	2	1		PC RES 20K OHM 1/4W CARBON		P		14037	14037		8032	8032
035	02	94402179	9	1		PC RES FM 9.1K OHM 1/4W CARBON		P					8032	
036	01	94402140	1	1		PC RES FM 220 OHM 1/4W CARBON		P						
037	01	94402128	6	1		PC RES 68 OHM 1/4W CARBON		P						
039	01	24504329	4	1		PC CAP FXD TANT 1.0UF 20P 35VDCW		P						
040	02	24504317	9	2		PC CAP FXD TANT .1UF 20P 35VDCW		P						
041	01	24504333	6	20		PC CAP FXD TANT 2.2UF 20P 35VDCW		P		14037	14037		8044	8044
041	02	24504333	6	4		PC CAP FXD TANT 2.2UF 20P 35VDCW		P					8044	
042	01	51829309	7	2		PC CAP F/ELEC 500UFV -20+75P 35V		P						

BUILD ARC 214

### ASSEMBLY PARTS LIST

BUILD ARC 214											PRINT DATE		PAGE		FILE CHANGE NO.	
0860											08-21-80		3		00014241	
DIV.	ASSEMBLY NUMBER	CD	REV.	DWG.	DESCRIPTION				MC	STATUS	STATUS DATE	ENG. RESP.	FILE DATE			
0860	90446159	7	D	D	REPLACED BY 90446253 14241				S	INA	08-19-80	CC628A	08-21-80			
TFIND NO.	LI	PART NUMBER	CD	REV.	QTY	U/M	PART DESCRIPTION		MC	YLD	ECO. NO. IN	ECO. NO. OUT	S/N	WK IN	WK OUT	
043	01	51839119	8		16		PC	CAP FXD CER 390PF 10P 100VDC	P							
044	01	15151500	4		3		PC	IC UA7800+5 357A POS V RGLTR	P							
045	01	15151503	8		3		PC	IC UA7800+12 357D POS V RGLTR	P							
046	01	15151402	3		1		PC	IC UA7900-12 356C NEG V RGLTR	P							
047	01	62039307	4		1		PC	CRYSTAL QUARTZ	P							
048	01	94402228	4		1		PC	RES FM 1.0M OHM 1/4W CARBON	P							
049	01	51007385	1		5		PC	DIO IN4148 10MA MICRO SIL 30V	P							
051	01	51906104	8		1		PC	CONN, 9 PIN PC MTD TIN FIG 3	P							
052	01	65832103	9		9		PC	SOCKET SPRING TIN	P							
053	01	24501801	5		83		FT	WIRE BUSS 22GA SOLID CU TP	W							
053	02	24501801	5		332		FT	WIRE BUSS 22GA SOLID CU TP	W	14037	14037			8032	8032	
054	01	51847500	9		1		PC	CONN, PCR 20POS 2RX10P FIG 1	P							
055	01	51906103	0		1		PC	CONN, 6 PIN PC MTD TIN FIG 2	P							
057	01	51632511	5		5		PC	SCREW INSU NO 4 NYLON	B							
058	01	51907804	2		5		PC	INSUL, PLSTC SEMI/MTG FIG 8	P							
059	01	10127103	9		8		PC	MSCR PAN PHL 4-40X.312 STL ZP	B							
060	01	51003962	1		001		OZ	PASTE, HEAT XFR CMPD NON-COND	B							
061	01	51848404	3		3		PC	SOCKET, IC 24 POS D-I-L TIN	P							
062	01	51848406	8		2		PC	SOCKET, IC 40 POS D-I-L TIN	P							
063	01	61408806	0		1		PC	CABLE ASSY KYBD	G							
064	01	61408695	7		2		PC	CABLE ASSY I/O ENTRY	G							

BUILD ARC 214

### ASSEMBLY PARTS LIST

BUILD ARC 214											PRINT DATE		PAGE		FILE CHANGE NO.	
0860											08-21-80		4		00014241	
DIV.	ASSEMBLY NUMBER	CD	REV.	DWG.	DESCRIPTION				MC	STATUS	STATUS DATE	ENG. RESP.	FILE DATE			
0860	90446159	7	D	D	REPLACED BY 90446253 14241				S	INA	08-19-80	CC628A	08-21-80			
TFIND NO.	LI	PART NUMBER	CD	REV.	QTY	U/M	PART DESCRIPTION		MC	YLD	ECO. NO. IN	ECO. NO. OUT	S/N	WK IN	WK OUT	
065	01	51001120	8		46		PC	CAP CER F-2 .01UF +80-20P 25V	P							
066	01	71493061	7		1		PC	ENCLOSURE RFI	P							
067	01	95791300	7		2		PC	OPTICAL ISOLATOR	P							
068	01	51003092	7		3		PC	XSTR 2N2222 HI SPEED NPN SIL	P							
069	01	51714000	0		1		PC	XSTR 2N2907 PNP SIL	P							
070	01	94402206	0		1		PC	RES FM 120K OHM 1/4W CARBON	P							
071	01	94402204	5		2		PC	RES FM 100K OHM 1/4W CARBON	P							
072	01	94402172	4		3		PC	RES FM 4.7K OHM 1/4W CARBON	P							
074	01	94402138	5		1		PC	RES FM 180 OHM 1/4W CARBON	P							
075	01	50251300	5		1		PC	IC 741C 301 OPER M-P ANPL	P							
076	01	51610800	8		8		PC	DIO, SILICON RECT 200V 3A	P							
077	01	15101105	3		1		PC	DIO IN748A 400MW ZEN VR 3.9V	P							
078	01	24565794	5		2		PC	RES FXD WM 0.20 OHM 2W 5P	P							
080	01	94383709	6		1		PC	CAP ELEC 10K UF -10+100P 15V	P							
081	01	24504349	2		1		PC	CAP FXD TANT 47UF 20P 35VDCW	P							
081	02	94400623	8		1		PC	CAP ELEC 6-63VDC	P	14037	14037			8044	8044	
082	01	51829313	9		1		PC	CAP F/ELEC 5500AUF -20+75P	P							
083	01	51918316	4		1		PC	HT SINK, SEMI FIG 1 ALUM BLK	P							
085	01	94360276	3		1		PC	RES FXD FM 619 OHM 1P 1/4W	P							
086	01	94360176	5		1		PC	RES FXD FM 61.9 OHM 1P 1/4W	P							
087	01	51918874	2		1		PC	RES VAR CER 200 OHM 20P 1/2W	P							

BUILD ARC 214

**ASSEMBLY PARTS LIST**

PRINT DATE	PAGE	FILE CHANGE NO.
08-21-80	5	00014241

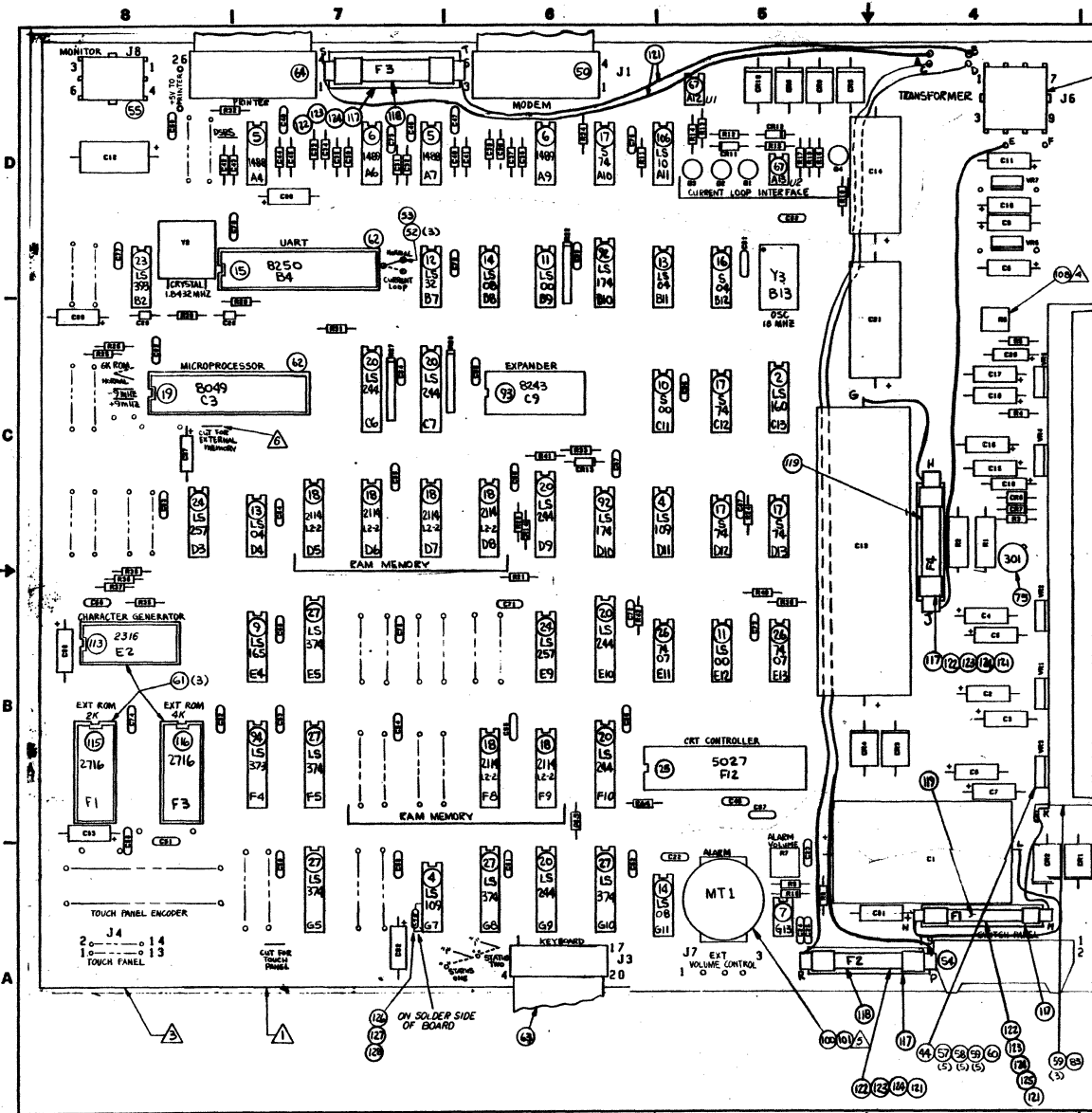
DIV.		ASSEMBLY NUMBER		CD	REV.	DWG.	DESCRIPTION		MC	STATUS	STATUS DATE	ENG. RESP.	FILE DATE			
0860		90446159		7	D	D	REPLACED BY 90446253 14241		S	INA	08-19-80	CC628A	08-21-80			
TRFIND NO	LI	PART NUMBER	CD	REV.	QTY	U/M	PART DESCRIPTION			MC	YLD	ECO. NO. IN	ECO. NO. OUT	S/N	WK IN	WK OUT
088	01	90446157	1		REF		PC SCH DIA 98TD			D						
089	01	51904110	7		1		PC OSCILLATOR TTL DIP 18.000 MHZ			P						
092	01	15147500	1		2		PC IC 74LS174 TTL 6 BIT 16 PIN			P		14037	14037		8044	8044
092	02	95965100	1		2		PC IC 74LS174 6BIT LATCH			P						
093	01	15163436	7		1		PC IC 8243 INPUT/OUTPUT EXPANDER			P						
094	01	15163434	2		1		PC IC 74LS373 OCTAL D LATCH			P						
095	01	94375125	5		1		PC RES 85IP NTKW 330 R 3P 1/4W			P						
097	01	94402160	9		1		PC RES FM 1.5K OHM 1/4W CARBON			P						
098	01	51839103	2		1		PC CAP FXD CER 18PF CASE SZ A			P						
099	01	51839108	1		1		PC CAP FXD CER 47 PF 10P 100VDC			P						
100	01	51918974	0		1		PC PIEZOCERAMIC TRANSDUCER			P						
101	01	51918984	9		1		PC SOCKET TRANSDUCER			P						
104	01	94375109	9		2		PC RES 85IP NTKW 1000 R 3P 1.0W			P						
106	01	15145600	1		1		PC IC 74LS10 141LS TTL 3I/P NAND			P						
108	01	51873600	4		001	OZ	VARNISH INSUL RED GLPT			B						
109	01	84608603	1		2		PC FUSE SUB-MIN AXIAL			P		14037				8032
110	01	84608606	4		1		PC FUSE SUB MINI 1 1/2 AMP			P		14037				8032
111	01	24504378	1		16		PC CAP FXD TANT 2.2UF 20P 20WVDC			P	14037				8044	
112	01	62201046	0		REF		PC LOG SUPPORT DOC			D		14037				8044
113	01	66306230	5		1		PC CHR GEN ASCII			P		14037				8044
114	01	94402134	4		2		PC RES FM 120 OHM 1/4W CARBON			P		14037				8032

BUILD ARC 214

**ASSEMBLY PARTS LIST**

PRINT DATE	PAGE	FILE CHANGE NO.
08-21-80	6	00014241

DIV.		ASSEMBLY NUMBER		CD	REV.	DWG.	DESCRIPTION		MC	STATUS	STATUS DATE	ENG. RESP.	FILE DATE			
0860		90446159		7	D	D	REPLACED BY 90446253 14241		S	INA	08-19-80	CC628A	08-21-80			
TRFIND NO	LI	PART NUMBER	CD	REV.	QTY	U/M	PART DESCRIPTION			MC	YLD	ECO. NO. IN	ECO. NO. OUT	S/N	WK IN	WK OUT
115	01	66307816	0		1		PC IC 2716 (VIK I)			G		14179				8029
116	01	66307817	8		1		PC IC 2716 (VIKI)			G		14179				8029
0110 TOTAL LINES																



SHEET REVISION STATUS		REVISION RECORD				
REV	ECO	DESCRIPTION	DRFT	DATE	CHKD	APP.
2	1	RELEASED CLASS 'A'		10/30/80		
1	A	REVISED PER ECO		10/30/80		
0	B	ADD F/N R30, R31, R32, R33, R34, R35, R36, R37, R38, R39, R40, R41, R42, R43, R44		10/30/80		
0	C	14255		10/30/80		
0	D	14262		10/30/80		
0	E	14365		10/30/80		
0	F	14353		10/30/80		
0	G	14531		10/30/80		
0	H	14530		10/30/80		

FIND NUMBER	REFERENCE DESIGNATION
28	R3, R21
29	R20
30	R24, R31, R34, R35, R36, R37, R38, R39, R40, R42, R43, R44
31	R19
32	R14, R16, R32
33	R7
34	R10
35	R9
36	R15
37	R6
39	C27
40	C19, C20
41	C8, C10, C16, C17
42	C14, C21
43	C30, C31, C32, C33, C34, C35, C36, C37, C38, C39, C40, C41, C42, C43, C44, C45
44	VR1, VR2, VR3
45	VR4, VR5, VR6
46	VR7
47	Y2
48	R30
49	CR7, CR11, CR12, CR13, CR14, C22 THRU C25, C46 THRU C47
65	Q2, Q3, Q4
68	Q2, Q3, Q4
69	Q1
70	R12
71	R13, R17
72	R18, R25, R26
74	R11
76	CR1, CR2, CR3, CR4, CR5, CR6, CR7, CR10
77	CR8
78	R1, R2
80	C1
81	C17
82	C13
85	R4
86	R5
87	R6
89	Y3
95	R28
97	R29
98	C29
99	C28
104	R27, R27
111	C2C3, C4C5, C6C7, C9, C11, C15, C18, C88, C89, C90, C91, C92, C93
114	R33, R41
126	C95

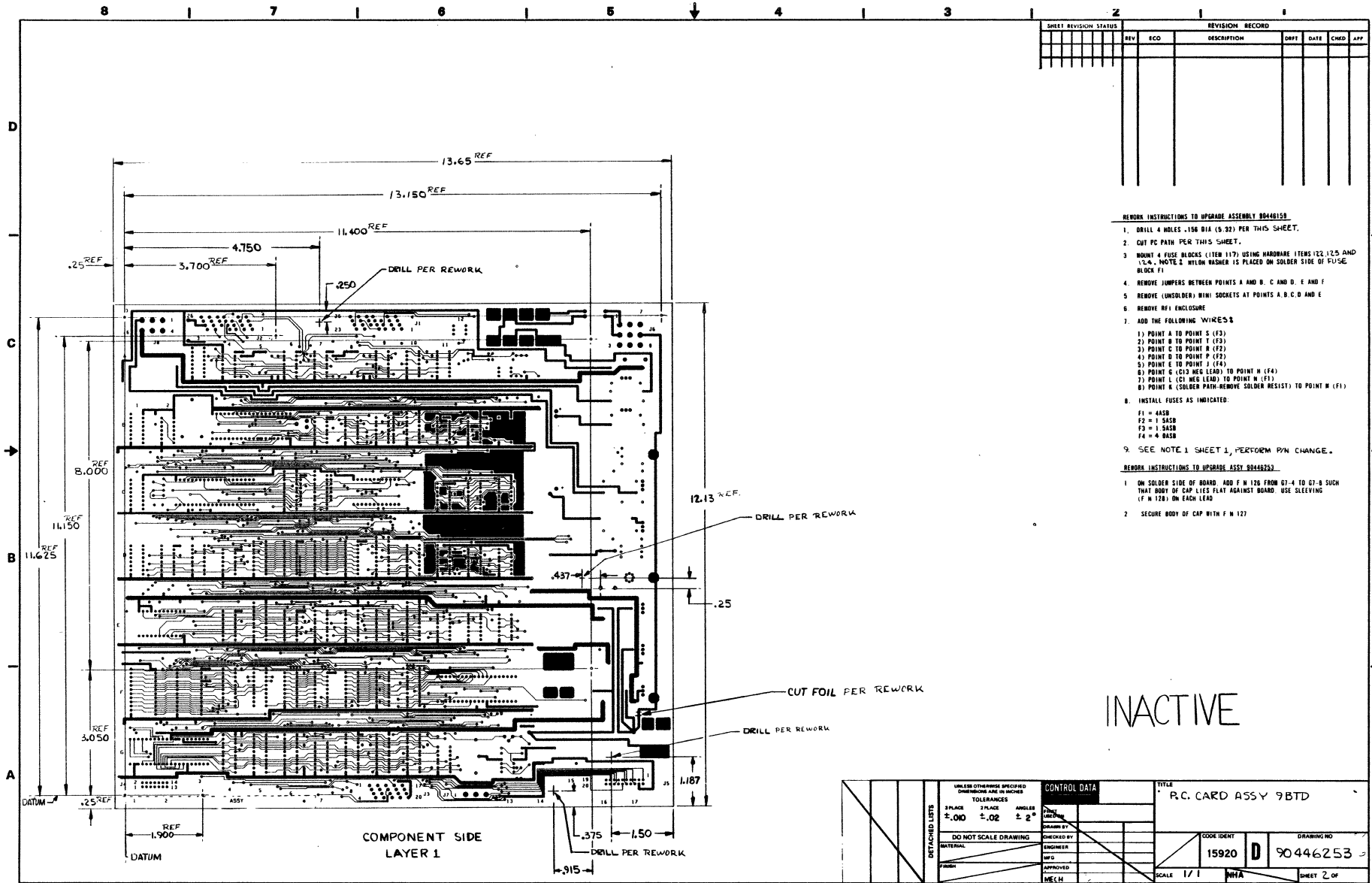
- NOTES:**
- REMOVE OLD ASSY NO. 90446159 AND APPLY NEW ASSY NO. 90446253 IN AREA SHOWN. MARK PER CDC SPEC 10121508; CHARACTER HEIGHT .12 (12PT) COLOR WHITE.
  - FIND NUMBERS, ELEMENT IDENTIFIERS, AND REFERENCE DESIGNATIONS ARE FOR REFERENCE ONLY AND DO NOT APPEAR ON PART.
  - MARK "98TD" PER CDC SPEC 10121508 WHITE, IN AREA SHOWN.
  - SEAL ADJUSTMENT WITH FIND NO.108 AFTER VOLTAGE SETTING HAS BEEN MADE.
  - BREAK OFF TAB ON TRANSDUCER FRAME AFTER SOLDERING AND INSERT DISK, CERAMIC SIDE DOWN.
  - CUT FOIL JUMPER AT "CUT FOR EXTERNAL MEMORY."

**INACTIVE**

PART NUMBER: <b>90446253</b>		CONTROL DATA		TITLE: <b>P. C. CARD ASSEMBLY 98TD</b>	
DESIGNED BY: <b>WJH</b>		CHECKED BY: <b>WJH</b>		DATE: <b>7-25-80</b>	
DRAWN BY: <b>WJH</b>		APPROVED BY: <b>WJH</b>		DATE: <b>7-25-80</b>	
DO NOT SCALE DRAWING		CODE IDENT: <b>15920</b>		DRAWING NO: <b>90446253</b>	
SCALE: <b>1:1</b>		SHEET: <b>1</b>		OF: <b>2</b>	

62940004 B

2-34.1



SHEET REVISION STATUS		REVISION RECORD					
REV	ECO	DESCRIPTION	DRFT	DATE	CHKD	APP	

- REWORK INSTRUCTIONS TO UPGRADE ASSEMBLY 90446150**
1. DRILL 4 HOLES .156 DIA (5.22) PER THIS SHEET.
  2. CUT PC PATH PER THIS SHEET.
  3. MOUNT 4 FUSE BLOCKS (ITEM 117) USING HARDWARE ITEMS 122, 125 AND 126. NOTE 2 NYLON WASHER IS PLACED ON SOLDER SIDE OF FUSE BLOCK F1.
  4. REMOVE JUMPERS BETWEEN POINTS A AND B, C AND D, E AND F.
  5. REMOVE (UNWELDER) BUSH SOCKETS AT POINTS A, B, C, D AND E.
  6. REMOVE REF ENCLOSURE.
  7. ADD THE FOLLOWING WIRES:
    - 1) POINT A TO POINT S (F3)
    - 2) POINT B TO POINT T (F3)
    - 3) POINT C TO POINT R (F2)
    - 4) POINT D TO POINT P (F2)
    - 5) POINT E TO POINT J (F4)
    - 6) POINT G (C13 NEG LEAD) TO POINT M (F4)
    - 7) POINT L (C13 NEG LEAD) TO POINT N (F1)
    - 8) POINT H (COLDER PATH-REMOVE SOLDER RESIST) TO POINT M (F1)
  8. INSTALL FUSES AS INDICATED:
    - F1 = 4ASB
    - F2 = 1 SASB
    - F3 = 1 SASB
    - F4 = 4 BASB
  9. SEE NOTE 1 SHEET 1, PERFORM P/N CHANGE.
- REWORK INSTRUCTIONS TO UPGRADE ASSY 90446253**
1. ON SOLDER SIDE OF BOARD ADD F M 126 FROM 07-4 TO 07-8 SUCH THAT BODY OF CAP LIES FLAT AGAINST BOARD USE SLEEVING (F M 128) ON EACH LEAD.
  2. SECURE BODY OF CAP WITH F M 127.

INACTIVE

BUILD ARC 214

### ASSEMBLY PARTS LIST

PRINT DATE 02-26-81 PAGE 1 FILE CHANGE NO. 00014530

QTY	ASSEMBLY NUMBER	CD	REV.	DWG.	DESCRIPTION	MC	STATUS	STATUS DATE	ENGR. DESIG.	FILE DATE			
0860	90446253	B	H	D	REPLACED BY 90446254 14262	S	INA	08-28-80	CC628A	02-26-81			
TRND NO.	U	PART NUMBER	CD	QTY	U/M	PART DESCRIPTION	MC	YLD	ECG. NO. IN	ECG. NO. OUT	S/N	WR IN	WR OUT
001	01	90446158	9	1		PC PWB 98TD	P						
002	01	15163439	1	1		PC IC 74LS160 BCD DECADE COUNTER	P						
004	01	15148000	1	2		PC IC 74LS109 TTL JKFF DUAL	P						
005	01	15163463	1	2		PC IC 1488 QUAD LINE DRV	P						
006	01	15163326	9	2		PC IC 1489A	P						
007	01	15112100	1	1		PC IC NE555 916 TIMER 8-PIN	P						
009	01	15163415	1	1		PC IC 74LS165 8B SHIFT REGISTER	P						
010	01	88884500	5	1		PC IC 74500 1405 TTL QD 2IN NAND	P						
011	01	15144900	6	2		PC IC 74LS00 140LS QUAD 2-1NP	P						
012	01	15146200	9	1		PC IC 74LS32 218LS Q2INP OR	P						
013	01	15145100	2	2		PC IC 74LS04 146LS TTL HEX INV	P						
014	01	15145400	6	2		PC IC 74LS08 201LS Q2INP AND	P						
015	01	15163462	3	1		PC IC T8250 COMM UNIT BRAUD RATE	P						
016	01	88883700	2	1		PC IC 74S04 146S TTL HEX INVTR	P						
017	01	88923000	9	4		PC IC 74S74 TTL DUAL	P						
018	01	15163400	3	6		PC IC 2114L2-2 TTL 1KX4 RAM	P						
019	01	66305932	7	1		PC BIT MAP 8 BIT MICRO TYPE 8049	P						
020	01	15163414	4	6		PC IC 74LS244 OCTAL BFR 3-S OP	P						
023	01	15163419	3	1		PC IC 74LS393 DL 4B BIN COUNTER	P						
024	01	15164402	8	2		PC IC 74LS257 TTL SELECTOR/MUX	P						
025	01	15163428	4	1		PC IC 5027 CRT VIDEO TIMER CONTR	P						

BUILD ARC 214

### ASSEMBLY PARTS LIST

PRINT DATE 02-26-81 PAGE 2 FILE CHANGE NO. 00014530

QTY	ASSEMBLY NUMBER	CD	REV.	DWG.	DESCRIPTION	MC	STATUS	STATUS DATE	ENGR. DESIG.	FILE DATE			
0860	90446253	B	H	D	REPLACED BY 90446254 14262	S	INA	08-28-80	CC628A	02-26-81			
TRND NO.	U	PART NUMBER	CD	QTY	U/M	PART DESCRIPTION	MC	YLD	ECG. NO. IN	ECG. NO. OUT	S/N	WR IN	WR OUT
026	01	88883200	3	2		PC IC 7407 227 HEX BFR DRV (OC)	P						
027	01	15163404	5	5		PC IC 74LS374 OCTAL D-EDGE F-F	P						
028	01	94402143	5	2		PC RES FM 300 OHM 1/4W CARBON	P						
029	01	94402126	0	1		PC RES FM 56 OHM 1/4W CARBON	P						
030	01	94402156	7	12		PC RES FM 1K OHM 1/4W CARBON	P						
031	01	94402148	4	1		PC RES FM 470 OHM 1/4W CARBON	P						
032	01	94402180	7	3		PC RES FM 10K OHM 1/4W CARRON	P						
033	01	51785534	2	1		PC RES VAR CERM 10KOHM 5W	P						
034	01	94402182	3	1		PC RES FM 12K OHM 1/4W CARBON	P						
035	01	94402179	9	1		PC RES FM 9.1K OHM 1/4W CARBON	P						
036	01	94402140	1	1		PC RES FM 220 OHM 1/4W CARBON	P						
037	01	94402128	6	1		PC RES 68 OHM 1/4W CARBON	P						
039	01	24504329	4	1		PC CAP FXD TANT 1.0UF 20P 35VDCW	P						
040	01	24504317	9	2		PC CAP FXD TANT .1UF 20P 35VDCW	P						
041	01	24504333	6	4		PC CAP FXD TANT 2.2UF 20P 35VDCW	P						
042	01	51829309	7	2		PC CAP F/ELEC 500UUF -20*75P 35V	P						
043	01	51839119	8	16		PC CAP FXD CER 390PF 10P 100VDC	P						
044	01	15151500	4	3		PC IC UA7800*5 357A POS V RGLTR	P						
045	01	15151503	8	3		PC IC UA7800*12 357D POS V RGLTR	P						
046	01	15151402	3	1		PC IC UA7900-12 356C NEG V RGLTR	P						
047	01	62039307	4	1		PC CRYSTAL QUARTZ	P						



BUILD ARC 214

### ASSEMBLY PARTS LIST

PRINT DATE 02-26-81 PAGE 3 FILE CHANGE NO. 00014530

DIV	ASSEMBLY NUMBER	CD	REV.	DWG.	DESCRIPTION	MC	STATUS	STATUS DATE	ENG. RESP.	FILE DATE			
0860	90446253	8	M	D	REPLACED BY 90446254 14262	S	INA	08-28-80	CC628A	02-26-81			
TRND NO.	U	PART NUMBER	CD	QTY	U/M	PART DESCRIPTION	MC	YLD	ECO. NO. IN	ECO. NO. OUT	S/N	WK IN	WK OUT
048	01	94402228	4	1		PC RES FM 1.0M OHM 1/4W CARRON	P						
049	01	51007385	1	5		PC DIO IN4148 104A MICRO SIL 30V	P						
050	01	61408893	8	1		PC I/O ENTRY ASSY	G		14257			8037	
051	01	51906104	8	1		PC CONN, 9 PIN PC MTD TIN FIG 3	P						
052	01	65832103	9	3		PC SOCKET SPRING TIN	P						
053	01	24501801	5	083		FT WIRE BUSS 22GA SOLID CU TP	W						
054	01	51847500	9	1		PC CONN, PCA 20POS 2RX10P FIG 1	P						
055	01	51906103	0	1		PC CONN, 6 PIN PC MTD TIN FIG 2	P						
057	01	51632511	5	5		PC SCREW INSU NO 4 NYLON	B						
058	01	51907804	2	5		PC INSUL, PLSTC SEMI/MTG FIG 9	P						
059	01	10127103	9	8		PC WSCR PAN PHL 4-40X.312 STL ZP	B						
060	01	51003962	1	001		OZ PASTE, HEAT XFR CMPD NON-COND	B						
061	01	51848404	3	3		PC SOCKET, IC 24 POS D-I-L TIN	P						
062	01	51849406	8	2		PC SOCKET, IC 40 POS D-I-L TIN	P						
063	01	61408806	0	1		PC CABLE ASSY KY8D	G						
064	01	61408695	7	2		PC CABLE ASSY I/O ENTRY	G		14257	14257		8037	8037
064	02	61408695	7	1		PC CABLE ASSY I/O ENTRY	G		14257			8037	
065	01	51001120	8	46		PC CAP CER F=2 .01UF +80-20P 25V	P						
067	01	95791300	7	2		PC OPTICAL ISOLATOR	P						
068	01	51003092	7	3		PC XSTR 2N2222 HI SPEED NPN SIL	P						
069	01	51714000	0	1		PC XSTR 2N2917 PNP SIL	P						

BUILD ARC 214

### ASSEMBLY PARTS LIST

PRINT DATE 02-26-81 PAGE 4 FILE CHANGE NO. 00014530

DIV	ASSEMBLY NUMBER	CD	REV.	DWG.	DESCRIPTION	MC	STATUS	STATUS DATE	ENG. RESP.	FILE DATE			
0860	90446253	8	M	D	REPLACED BY 90446254 14262	S	INA	08-28-80	CC628A	02-26-81			
TRND NO.	U	PART NUMBER	CD	QTY	U/M	PART DESCRIPTION	MC	YLD	ECO. NO. IN	ECO. NO. OUT	S/N	WK IN	WK OUT
070	01	94402206	J	1		PC RES FM 120K OHM 1/4W CARRON	P						
071	01	94402204	5	2		PC RES FM 100K OHM 1/4W CARRON	P						
072	01	94402172	4	3		PC RES FM 4.7K OHM 1/4W CARRON	P						
074	01	94402138	5	1		PC RES FM 180 OHM 1/4W CARRON	P						
075	01	50251300	5	1		PC IC 741C 301 OPER H-P ANPL	P						
076	01	51610800	8	8		PC DIO, SILICON RECT 200V 3A	P						
077	01	15101105	3	1		PC DIO IN749A 400MW ZEN VR 3.9V	P						
078	01	24565794	5	2		PC RES FXD WW 0.20 OHM 2W 5P	P						
080	01	94383709	6	1		PC CAP ELEC 10K UF -10+100P 15V	P						
081	01	94400623	8	1		PC CAP ELEC 6-63VDC	P						
082	01	51929313	9	1		PC CAP F/ELEC 5500AUF -20+75P	P						
083	01	51918316	4	1		PC HT SINK, SEMI FIG 1 ALUM BLK	P						
085	01	94360276	3	1		PC RES FXD FM 619 OHM 1P 1/4W	P						
086	01	94360176	5	1		PC RES FXD FM 61.9 OHM 1P 1/4W	P						
087	01	51918874	2	1		PC RES VAR CER 200 OHM 20P 1/2W	P						
088	01	90446157	1	REF		PC SCH DIA 98TD	D						
089	01	51904110	7	1		PC OSCILLATOR TTL DIP 18.000 MHZ	P						
092	01	95965100	1	2		PC IC 74LS174 6BIT LATCH	P						
093	01	15163436	7	1		PC IC 8243 INPUT/OUTPUT EXPANDER	P						
094	01	15163434	2	1		PC IC 74LS373 OCTAL D LATCH	P						
095	01	94375125	5	1		PC RES 8SIP NTWK 330 R 3P 1/4W	P						



BUILD ARC 214

**ASSEMBLY PARTS LIST**

PRINT DATE	PAGE	FILE CHANGE NO.
02-26-81	5	00014530

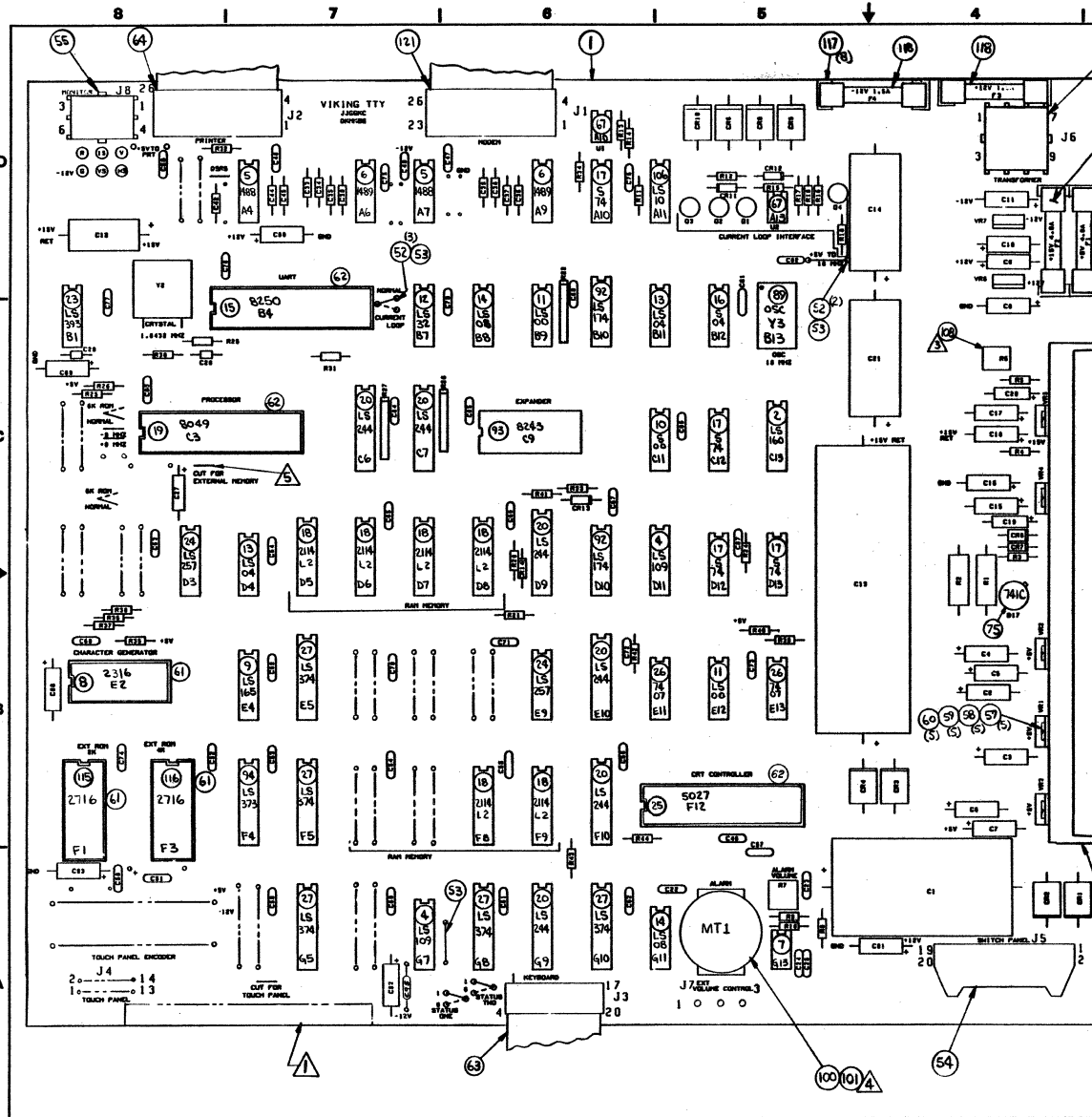
DIV	ASSEMBLY NUMBER	CD	REV.	DWG.	DESCRIPTION	MC	STATUS	STATUS DATE	ENG. RESP.	FILE DATE			
0860	90446253	B	H	D	REPLACED BY 90446254 14262	S	INA	08-28-80	CC628A	02-26-81			
ITEM NO.	U	PART NUMBER	CD	QTY	U/M	PART DESCRIPTION	MC	YLD	ECO. NO. IN	ECO. NO. OUT	S/N	WK IN	WK OUT
097	01	94402160	9	1		PC RES FM 1.5K OHM 1/4W CARBON	P						
098	01	51839103	2	1		PC CAP FXD CER 18PF CASE SZ A	P						
099	01	51839108	1	1		PC CAP FXD CER 47 PF 10P 100VDC	P						
100	01	51918974	0	1		PC PIEZOCERAMIC TRANSDUCER	P						
101	01	51918984	9	1		PC SOCKET TRANSDUCER	P						
104	01	94375109	9	2		PC RES 8SIP NTK 1000 R 3P 1.0W	P						
106	01	15145600	1	1		PC IC 74LS10 141LS TTL 3I/P NAND	P						
108	01	51873600	4	001		OZ VARNISH INSUL RED GLPT	B						
111	01	24504378	1	16		PC CAP FXD TANT 2.2UF 20P 20WVDC	P						
112	01	62201046	0	REF		PC LOG SUPPORT DOC	D						
113	01	66306230	5	1		PC CHR GEN ASCII	P						
114	01	94402134	4	2		PC RES FM 120 OHM 1/4W CARBON	P						
115	01	66307816	0	1		PC REPLACED BY 66307818 14530	G		14353	14353		8047	8047
115	02	66307818	6	1		PC REPLACED BY 66307823 14530	G		14353	14530		8047	8107
115	03	66307823	6	1		PC BIT MAP 2716	G		14530			8107	
116	01	66307817	8	1		PC REPLACED BY 66307819 14530	G		14353	14353		8047	8047
116	02	66307819	4	1		PC REPLACED BY 66307824 14530	G		14353	14530		8047	8107
116	03	66307824	4	1		PC BIT MAP 2716	G		14530			8107	
117	01	51785402	2	4		PC FUSE BLOCK 125VAC 10A 3AG	P						
118	01	51650219	2	2		PC FUSE CARTRIDGE 1.50 AMP	P						
119	01	51650225	9	1		PC FUSE CARTRIDGE 4 AMP	P		14353	14353		8047	8047
119	02	51650225	9	2		PC FUSE CARTRIDGE 4 AMP	P					8047	
120	01	51650221	8	1		PC FUSE CARTRIDGE 2 AMP	P			14353			8047

BUILD ARC 214

**ASSEMBLY PARTS LIST**

PRINT DATE	PAGE	FILE CHANGE NO.
02-26-81	6	00014530

DIV	ASSEMBLY NUMBER	CD	REV.	DWG.	DESCRIPTION	MC	STATUS	STATUS DATE	ENG. RESP.	FILE DATE			
0860	90446253	B	H	D	REPLACED BY 90446254 14262	S	INA	08-28-80	CC628A	02-26-81			
ITEM NO.	U	PART NUMBER	CD	QTY	U/M	PART DESCRIPTION	MC	YLD	ECO. NO. IN	ECO. NO. OUT	S/N	WK IN	WK OUT
121	01	24548310	2	6		FT WIR 24GA STRD WHT 300V UL PVC	W						
122	01	10127113	8	4		PC MSCR PAN PHL 6-32X.375 STL ZP	B						
123	01	10125105	6	4		PC NUT, HEX 6-32 MSCR STL ZP	B						
124	01	10125803	6	4		PC WSHR, NO.6 SPG LOCK STL ZP	B						
125	01	93564004	5	1		PC WSHR, NYL .125ID .312OD .030T	B						
126	01	51839127	1	1		PC CAP FXD CER 180PF 10P 100VDC	P		14365			8046	
127	01	51004063	7	001		OZ ADHESIVE, SEALANT SIL RUBBER	B		14365			8046	
128	01	51797423	4	083		FT TUBING INSUL 100FT SPOOLS	B		14365			8046	
						0115 TOTAL LINES							



SHEET REVISION STATUS		REVISION RECORD			
REV	ECO	DESCRIPTION	DRFT	DATE	CHKD
A		RELEASED CLASS 'A'			
B	14270	REVISED PER ECO	W.30	9-19-80	W.30
C	14385	ADD F 14122	P.D	10-16-80	W.30
D	14385	REVISED PER ECO	P.D	10-20-80	W.30
E	14385	REVISED PER ECO	M.D.	10-20-80	W.30
F	14445	F/N IS WAS 6430932	W.30	11-18-80	W.30
G	14530	INACTIVE-SERVICE USE ONLY SUPERSEDED BY 9044-6227	P.S	3-7-81	W.30

FIND NUMBER	REFERENCE DESIGNATION
28	R3, R21
29	R20
30	R24, R31, R34, R35, R36, R37, R38, R39, R40, R43, R43, R44
31	R19
32	R14, R16, R32
33	K7
34	R10
35	R9
36	R15
37	R8
39	C27
40	C19, C20
41	C8, C10, C16, C17
42	C14, C21
43	C30, C33, C34, C35, C36, C37, C38, C39, C42, C44, C45
44	VR1, VR2, VR3
45	VR4, VR5, VR6
46	VR7
47	YL
48	R30
49	CR7, CR11, CR12, CR13, CR14, CR17, CR18, CR19, CR20, CR21, CR22, CR23, CR24, CR25, CR26, CR27, CR28, CR29, CR30, CR31, CR32, CR33, CR34, CR35, CR36, CR37, CR38, CR39, CR40, CR41, CR42, CR43, CR44, CR45, CR46, CR47, CR48, CR49, CR50, CR51, CR52, CR53, CR54, CR55, CR56, CR57, CR58, CR59, CR60, CR61, CR62, CR63, CR64, CR65, CR66, CR67, CR68, CR69, CR70, CR71, CR72, CR73, CR74, CR75, CR76, CR77, CR78, CR79, CR80, CR81, CR82, CR83, CR84, CR85, CR86, CR87, CR88, CR89, CR90, CR91, CR92, CR93, CR94, CR95, CR96, CR97, CR98, CR99, CR100
65	THRU CR7
68	Q3, Q3, Q4
69	Q1
70	R12
71	R13, R17
72	R18, R15, R26
74	R11
76	CR3, CR1, CR3 THRU CR6, CR9, CR10
77	CR8
78	CR12
80	C1
81	C12
82	C13
83	R4
84	R5
85	R6
86	R5
87	R6
88	R7
89	R29
98	C29
99	C28
104	R22, R27
109	C2, C3, C4, THRU C7, C9, C11, C15, C18, C88, C89, C90, C91, C92, C93, C8, C10, C16, C17
114	R33, R41
122	C95

- NOTES:
- APPLY ASSY NO., REV LEVEL, LOC CODE, AND DATE CODE IN AREA SHOWN, MARK PER CDC SPEC 10121508; CHARACTER HEIGHT .12 (1: PT) COLOR WHITE.
  - FIND NUMBERS, ELEMENT IDENTIFIERS, AND REFERENCE DESIGNATIONS ARE FOR REFERENCE ONLY AND DO NOT APPEAR ON PART.
  - SEAL ADJUSTMENT WITH F/N 108 AFTER VOLTAGE SETTING HAS BEEN MADE.
  - BREAK OFF TAB ON TRANSUCER FRAME AFTER SOLDERING & INSERT DISK, CERAMIC SIDE DOWN.
  - CUT FOIL JUMPER AT "CUT FOR EXTERNAL MEMORY."

INACTIVE

APL 90446 254	UNLESS OTHERWISE SPECIFIED DIMENSIONS ARE IN INCHES	CONTROL DATA		TITLE	
	TOLERANCES	CC628A	P.C. CARD ASSEMBLY, 9BTD (VIKING TTY)		
DO NOT SCALE DRAWING	DO NOT SCALE DRAWING	DRAWN BY	W. F. HANBY	DATE	8-20-80
MATERIAL	MATERIAL	ENGINEER	J. P. HILL	DATE	9-21-80
APPROVED	APPROVED	DATE	8-27-80	SCALE	N/A 15632119
MECH	MECH	DATE	8-27-80	SHEET	1 OF 1

BUILD ARC 214

ASSEMBLY PARTS LIST

BUILD ARC 214										ASSEMBLY PARTS LIST			PRINT DATE	PAGE	FILE CHANGE NO.
0860 90446254 6 G D REPLACED BY 90446277 14530 S INA										02-26-81			1	00014530	
DIV	ASSEMBLY NUMBER	CD	REV.	DWG.	DESCRIPTION	MC	STATUS	STATUS DATE	INS. RESP.	FILE DATE					
T	PRD NO.	U	PART NUMBER	CD	QTY	U/M	PART DESCRIPTION	MC	YLD	SCD. NO. IN	SCD. NO. OUT	S/N	WK IN	WK OUT	
001	01		90446252	0	1		PC PW BD 98TD VIKING TTY	P							
002	01		15163439	1	1		PC IC 74LS160 BCD DECADE COUNTER	P							
004	01		15148000	1	2		PC I C 74LS109 TTL JKFF DUAL	P							
005	01		36186400	2	2		PC IC MC1488 900 DTL QD LN DRVR	P		14270	14270		8044	8044	
005	02		15163463	1	2		PC IC 1488 QUAD LINE DRVR	P							
006	01		15163326	0	2		PC IC 1489A	P							
007	01		15112100	1	1		PC IC NE555 916 TIMER 8-PIN	P							
008	02		66306230	5	1		PC CHR GEN ASCII	P		14270			8037		
009	01		15163415	1	1		PC IC 74LS165 8R SHIFT REGISTER	P							
010	01		88884500	5	1		PC IC 74S00 140S TTL QD 2IN NAND	P							
011	01		15144900	6	2		PC IC 74LS00 140LS QUAD 2-1NP	P							
012	01		15146200	9	1		PC IC 74LS32 218LS Q2INP OR	P							
013	01		15145100	2	2		PC IC 74LS04 146LS TTL HEX INV	P							
014	01		15145400	6	2		PC IC 74LS08 201LS Q2INP AND	P							
015	01		15163462	3	1		PC IC T8250 COMM UNIT BRAUD RATE	P							
016	01		88883700	2	1		PC IC 74S04 146S TTL HEX INVTR	P							
017	01		88923000	9	4		PC I C 74S74 TTL DUAL	P							
018	01		15163400	3	6		PC IC 2114L2-2 TTL 1KX4 RAM	P							
019	01		66305932	7	1		PC RIT MAP 8 BIT MICRO TYPE 8049	P		14425	14425		8107	8107	
019	02		66305927	7	1		PC IC TYP 8049 ROM 2KX8 BIT MAP	P		14425			8107		
020	01		15163414	4	6		PC IC 74LS244 OCTAL BFR 3-5 OP	P							
023	01		15163419	3	1		PC IC 74LS393 DL 4B BIN COUNTER	P							

BUILD ARC 214

ASSEMBLY PARTS LIST

BUILD ARC 214										ASSEMBLY PARTS LIST			PRINT DATE	PAGE	FILE CHANGE NO.
0860 90446254 6 G D REPLACED BY 90446277 14530 S INA										02-26-81			2	00014530	
DIV	ASSEMBLY NUMBER	CD	REV.	DWG.	DESCRIPTION	MC	STATUS	STATUS DATE	INS. RESP.	FILE DATE					
T	PRD NO.	U	PART NUMBER	CD	QTY	U/M	PART DESCRIPTION	MC	YLD	SCD. NO. IN	SCD. NO. OUT	S/N	WK IN	WK OUT	
024	01		15164402	8	2		PC IC 74LS257 TTL SELECTOR/MUX	P							
025	01		15163428	4	1		PC IC 5027 CRT VIDEO TIMER CONTL	P							
026	01		88883200	3	2		PC IC 7407 227 HEX 8FR DRVR (OC)	P							
027	01		15163404	5	5		PC IC 74LS374 OCTAL D-EDGE F-F	P							
028	01		94402143	5	2		PC RES FM 300 OHM 1/4W CARBON	P							
029	01		94402126	0	1		PC RES FM 56 OHM 1/4W CARBON	P							
030	01		94402156	7	12		PC RES FM 1K OHM 1/4W CARBON	P							
031	01		94402148	4	1		PC RES FM 470 OHM 1/4W CARBON	P							
032	01		94402180	7	3		PC RES FM 10K OHM 1/4W CARBON	P							
033	01		51785534	2	1		PC RES VAR CERM 10KOHM 5W	P							
034	01		94402182	3	1		PC RES FM 12K OHM 1/4W CARBON	P							
035	01		94402179	9	1		PC RES FM 9.1K OHM 1/4W CARBON	P							
036	01		94402140	1	1		PC RES FM 220 OHM 1/4W CARBON	P							
037	01		94402128	6	1		PC RES 68 OHM 1/4W CARBON	P							
039	01		24504329	4	1		PC CAP FXD TANT 1.0UF 20P 35VDCW	P							
040	01		24504317	9	2		PC CAP FXD TANT .1UF 20P 35VDCW	P							
041	01		24504333	6	20		PC CAP FXD TANT 2.2UF 20P 35VDCW	P		14270	14270		8044	8044	
041	02		24504333	6	4		PC CAP FXD TANT 2.2UF 20P 35VDCW	P							
042	01		51829309	7	2		PC CAP F/ELEC 500UUF -20+75P 35V	P							
043	01		51839119	8	16		PC CAP FXD CER 390PF 10P 100VDC	P		14270	14270		8038	8038	
043	02		51839119	8	11		PC CAP FXD CER 390PF 10P 100VDC	P							
044	01		15151500	4	3		PC IC UA7800+5 357A POS V RGLTR	P							

BUILD ARC 214

ASSEMBLY PARTS LIST

PRINT DATE 02-26-81 PAGE 3 FILE CHANGE NO. 00014530

REV.	ASSEMBLY NUMBER	CD	REV.	QTY.	DESCRIPTION	MC	STATUS	STATUS DATE	SHG. RESP.	FILE DATE				
0860	90446254	6	G	D	REPLACED BY 90446277 14530	S	INA	02-18-81	CC628A	02-26-81				
T/P	NO.	U	PART NUMBER	CD	QTY.	U/M	PART DESCRIPTION	MC	YLD	SCD. NO. IN	SCD. NO. OUT	S/N	WK IN	WK OUT
045	01		15151503	8	3		PC IC UA7800+12 3570 POS V RGLTR	P						
046	01		15151402	3	1		PC IC UA7900-12 356C NEG V RGLTR	P						
047	01		62039307	4	1		PC CRYSTAL QUARTZ	P						
048	01		94402228	4	1		PC RES FM 1.0M OHM 1/4W CARBON	P						
049	01		51007385	1	5		PC DIO IN4148 10MA MICRO SIL 30V	P						
051	01		51906104	8	1		PC CONN, 9 PIN PC MTD TIN FIG 3	P						
052	01		65832103	9	5		PC SOCKET SPRING TIN	P						
053	01		24501801	5	250		FT WIRE BUSS 22GA SOLID CU TP	W						
054	01		51847500	9	1		PC CONN, PCB 20POS 2RX10P FIG 1	P						
055	01		51906103	0	1		PC CONN, 6 PIN PC MTD TIN FIG 2	P						
057	01		51632511	5	5		PC SCREW INSU NO 4 NYLON	B						
058	01		51907804	2	5		PC INSUL, PLSTC SEMI/MTG FIG 8	P						
059	01		10127103	9	8		PC MSCR PAN PHL 4-40X.312 STL ZP	B						
060	01		51003962	1	001		OZ PASTE, HEAT XFR CMPD NON-COND	B						
061	01		51848404	3	3		PC SOCKET, IC 24 POS D-I-L TIN	P						
062	01		51848406	8	2		PC SOCKET, IC 40 POS D-I-L TIN	P						
062	02		51848406	8	3		PC SOCKET, IC 40 POS D-I-L TIN	P	0	14385	14385		8047	8047
063	01		61408806	0	1		PC CABLE ASSY KYBD	G						
064	01		61408695	7	1		PC CABLE ASSY I/O ENTRY	G						
065	01		51001120	8	46		PC CAP CER F-2 .01UF +80-20P 25V	P						
067	01		95791300	7	2		PC OPTICAL ISOLATOR	P						

BUILD ARC 214

ASSEMBLY PARTS LIST

PRINT DATE 02-26-81 PAGE 4 FILE CHANGE NO. 00014530

REV.	ASSEMBLY NUMBER	CD	REV.	QTY.	DESCRIPTION	MC	STATUS	STATUS DATE	SHG. RESP.	FILE DATE				
0860	90446254	6	G	D	REPLACED BY 90446277 14530	S	INA	02-18-81	CC628A	02-26-81				
T/P	NO.	U	PART NUMBER	CD	QTY.	U/M	PART DESCRIPTION	MC	YLD	SCD. NO. IN	SCD. NO. OUT	S/N	WK IN	WK OUT
068	01		51003092	7	3		PC XSTR 2N2222 HI SPEED NPN SIL	P						
069	01		51714000	0	1		PC XSTR 2N2907 PNP SIL	P						
070	01		94402206	0	1		PC RES FM 120K OHM 1/4W CARBON	P						
071	01		94402204	5	2		PC RES FM 100K OHM 1/4W CARBON	P						
072	01		94402172	4	3		PC RES FM 4.7K OHM 1/4W CARBON	P						
074	01		94402138	5	1		PC RES FM 180 OHM 1/4W CARBON	P						
075	01		50251300	5	1		PC IC 741C 301 OPER H-P ANPL	P						
076	01		51610800	8	8		PC DIO, SILICON RECT 200V 3A	P						
077	01		15101105	3	1		PC DIO IN748A 400MW ZEN VR 3.9V	P						
078	01		24565794	5	2		PC RES FXD WW 0.20 OHM 2W 5P	P						
080	01		94383709	6	1		PC CAP ELEC 10K UF -10+100P 15V	P						
081	01		24504349	2	1		PC CAP FXD TANT 47UF 20P 35VDCW	P						
081	02		94400623	8	1		PC CAP ELEC 6-63VDC	P		14270	14270		8044	8044
082	01		51829313	9	1		PC CAP F/ELEC 5500AUF -20+75P	P						
083	01		51918316	4	1		PC HT SINK, SEMI FIG 1 ALUM BLK	P						
085	01		94360276	3	1		PC RES FXD FM 619 OHM 1P 1/4W	P						
086	01		94360176	5	1		PC RES FXD FM 61.9 OHM 1P 1/4W	P						
087	01		51918874	2	1		PC RES VAR CER 200 OHM 20P 1/2W	P						
088	01		90446255	3	REF		PC SCH DIAG 98TD	D						
089	01		51904110	7	1		PC OSCILLATOR TTL DIP 18.000 MHZ	P						
092	01		15147500	1	2		PC IC 74LS174 TTL 6 BIT 16 PIN	P			14270			8044

BUILD ARC 214

**ASSEMBLY PARTS LIST**

PRINT DATE 02-26-81 PAGE 5 FILE CHANGE NO. 00014530

QTY	ASSEMBLY NUMBER	CD	REV.	DWG.	DESCRIPTION	MC	STATUS	STATUS DATE	ENG. RESP.	FILE DATE			
0860	90446254	6	G	D	REPLACED BY 90446277 14530	S	INA	02-18-81	CC628A	02-26-81			
TRND NO.	LI	PART NUMBER	CD	QTY	U/M	PART DESCRIPTION	MC	YLD	ECO. NO. IN	ECO. NO. OUT	S/N	WK IN	WK OUT
092	02	95965100	1	2		PC IC 74LS174 6BIT LATCH	P		14270			8044	
093	01	15163436	7	1		PC IC 8243 INPUT/OUTPUT EXPANDER	P						
094	01	15163434	2	1		PC IC 74LS373 OCTAL D LATCH	P						
095	01	94375125	5	1		PC RES 8SIP NTKW 330 R 3P 1/4W	P						
097	01	94402160	9	1		PC RES FM 1.5K OHM 1/4W CARBON	P						
098	01	51839103	2	1		PC CAP FXD CER 18PF CASE SZ A	P						
099	01	51839108	1	1		PC CAP FXD CER 47 PF 10P 100VDC	P						
100	01	51918974	0	1		PC PIEZOCERAMIC TRANSDUCER	P						
101	01	51918984	9	1		PC SOCKET TRANSDUCER	P						
104	01	94375109	9	2		PC RES 8SIP NTKW 1000 R 3P 1.0W	P						
106	01	15145600	1	1		PC IC 74LS10 141LS TTL 3I/P NAND	P						
108	01	51873600	4		001	OZ VARNISH INSUL RED GLPT	B						
109	01	24504378	1	16		PC CAP FXD TANT 2.2UF 20P 20WVDC	P		14270			8044	
112	01	62201046	0		REF	PC LOG SUPPORT DOC	D						
114	01	94402134	4	2		PC RES FM 120 OHM 1/4W CARRON	P						
115	01	66307816	0	1		PC REPLACED BY 66307818 14530	G			14353		8047	8047
115	02	66307818	6	1		PC REPLACED BY 66307823 14530	G		14353			8047	
116	01	66307817	8	1		PC REPLACED BY 66307819 14530	G			14353		8047	8047
116	02	66307819	4	1		PC REPLACED BY 66307824 14530	G		14353			8047	
117	01	95588402	8	8		PC CLIP, FUSE 1/4D .165 F-1 CU	P						
118	01	51650219	2	2		PC FUSE CARTRIDGE 1.50 AMP	P						
119	01	51650221	8	1		PC FUSE CARTRIDGE 2 AMP	P		14353			8047	

BUILD ARC 214

**ASSEMBLY PARTS LIST**

PRINT DATE 02-26-81 PAGE 6 FILE CHANGE NO. 00014530

QTY	ASSEMBLY NUMBER	CD	REV.	DWG.	DESCRIPTION	MC	STATUS	STATUS DATE	ENG. RESP.	FILE DATE			
0860	90446254	6	G	D	REPLACED BY 90446277 14530	S	INA	02-18-81	CC628A	02-26-81			
TRND NO.	LI	PART NUMBER	CD	QTY	U/M	PART DESCRIPTION	MC	YLD	ECO. NO. IN	ECO. NO. OUT	S/N	WK IN	WK OUT
120	01	51650225	9	1		PC FUSE CARTRIDGE 4 AMP	P			14353		8047	8047
120	02	51650225	9	2		PC FUSE CARTRIDGE 4 AMP	P		14353			8047	
121	01	61408893	8	1		PC I/O ENTRY ASSY	G						
122	01	51839127	1	1		PC CAP FXD CER 1800PF 10P 100VDC	P		14365			8046	
0112 TOTAL LINES													





BUILD ARC 214

### ASSEMBLY PARTS LIST

PRINT DATE		PAGE		FILE CHANGE NO.									
05-12-81		1		00014675									
DIV	ASSEMBLY NUMBER	CD	REV.	DWG.	DESCRIPTION	MC	STATUS	STATUS DATE	ENG. RESP.	FILE DATE			
0860	90446277	7	D	D	REPLACED BY 90446308 14675	S	INA	05-08-81	CC628A	05-12-81			
TRND NO.	U	PART NUMBER	CD	QUANTITY	U/M	PART DESCRIPTION	MC	YLD	ECO. NO. IN	ECO. NO. OUT	S/N	WK IN	WK OUT
001	01	91446252	U	1		PC PW 80 98TD VIKING TTY	P						
002	01	15163439	1	1		PC IC 74LS160 BCD DECADE COUNTER	P						
004	01	15148000	1	2		PC I C 74LS109 TTL JKFF DUAL	P						
005	01	15163463	1	2		PC IC 1488 QUAD LINE DRVR	P						
006	01	15103326	U	2		PC IC 1489A	P						
007	01	15112100	1	1		PC IC NE555 916 TIMER 8-PIN	P						
008	01	66306230	5	1		PC CHR GEN ASCII	P						
009	01	15163415	1	1		PC IC 74LS165 8B SHIFT REGISTER	P						
010	01	88884500	5	1		PC IC 74S00 140S TTL QD 2IN NAND	P						
011	01	15144900	0	2		PC IC 74LS00 140LS QUAD 2-1NP	P						
012	01	15146200	9	1		PC IC 74LS32 218LS Q2INP OR	P						
013	01	15145100	2	2		PC IC 74LS04 146LS TTL HEX INV	P						
014	01	15145400	0	2		PC IC 74LS08 201LS Q2INP AND	P						
015	01	15163462	3	1		PC IC T8250 COMM UNIT BRAUD RATE	P						
016	01	88883700	2	1		PC IC 74S04 146S TTL HEX INVTR	P						
017	01	88923000	9	4		PC I C 74S74 TTL DUAL	P						
018	01	15163400	3	6		PC IC 2114L2-2 TTL 1KX4 RAM	P						
019	01	66305927	7	1		PC IC IYP 8049 ROM 2KX8 BIT MAP	P						
020	01	15163414	4	6		PC IC 74LS244 OCTAL BFR 3-S OP	P						
023	01	15163419	3	1		PC IC 74LS393 DL 48 BIN COUNTER	P						
024	01	15164402	8	2		PC IC 74LS257 TTL SELECTOR/MUX	P						

BUILD ARC 214

### ASSEMBLY PARTS LIST

PRINT DATE		PAGE		FILE CHANGE NO.									
05-12-81		2		00014675									
DIV	ASSEMBLY NUMBER	CD	REV.	DWG.	DESCRIPTION	MC	STATUS	STATUS DATE	ENG. RESP.	FILE DATE			
0860	90446277	7	D	D	REPLACED BY 90446308 14675	S	INA	05-08-81	CC628A	05-12-81			
TRND NO.	U	PART NUMBER	CD	QUANTITY	U/M	PART DESCRIPTION	MC	YLD	ECO. NO. IN	ECO. NO. OUT	S/N	WK IN	WK OUT
025	01	15163428	4	1		PC IC 5027 CRT VIDEO TIMER CONT.	P						
026	01	88883200	3	2		PC IC 7407 227 HEX BFR DRVR (OC)	P						
027	01	15163404	5	5		PC IC 74LS374 OCTAL D-EDGE F-F	P						
028	01	94402143	5	2		PC RES FM 300 OHM 1/4W CARBON	P						
029	01	94402126	0	1		PC RES FM 56 OHM 1/4W CARBON	P						
030	01	94402156	7	12		PC RES FM 1K OHM 1/4W CARBON	P						
031	01	94402148	4	1		PC RES FM 470 OHM 1/4W CARBON	P						
032	01	94402180	7	3		PC RES FM 10K OHM 1/4W CARBON	P						
033	01	51785534	2	1		PC RES VAR CERM 10KOHM 5W	P						
034	01	94402182	3	1		PC RES FM 12K OHM 1/4W CARBON	P						
035	01	94402179	9	1		PC RES FM 9.1K OHM 1/4W CARBON	P						
036	01	94402140	1	1		PC RES FM 220 OHM 1/4W CARBON	P						
037	01	94402128	6	1		PC RES 68 OHM 1/4W CARBON	P						
039	01	24504329	4	1		PC CAP FXD TANT 1.0UF 20P 35VDCW	P						
040	01	24504317	9	2		PC CAP FXD TANT .1UF 20P 35VDCW	P						
041	01	24504333	0	4		PC CAP FXD TANT 2.2UF 20P 35VDCW	P						
042	01	51829309	7	2		PC CAP F/ELEC 500UF -20+75P 35V	P						
043	01	51839119	8	11		PC CAP FXD CER 390PF 10P 100VDC	P						
044	01	15151500	4	3		PC IC UA7800+5 357A POS V RGLTR	P						
045	01	15151503	4	3		PC IC UA7800+12 357D POS V RGLTR	P						
046	01	15151402	3	1		PC IC UA7900-12 356C NEG V RGLTR	P						

BUILD ARC 214

### ASSEMBLY PARTS LIST

PRINT DATE	PAGE	FILE CHANGE NO.
05-12-81	3	00014675

QTY	ASSEMBLY NUMBER	CD	REV.	DWG.	DESCRIPTION	MC	STATUS	STATUS DATE	ENG. RESP.	FILE DATE			
0860	90446277	7	0	D	REPLACED BY 90446308 14675	S	INA	05-08-81	CC628A	05-12-81			
FOUND NO.	U	PART NUMBER	CD	QTY	U/M	PART DESCRIPTION	MC	YLD	SCD. NO. IN	SCD. NO. OUT	S/N	WK IN	WK OUT
047	01	62039307	4	1		PC CRYSTAL QUARTZ	P						
048	01	94402228	4	1		PC RES FM 1.0M OHM 1/4W CARBON	P						
049	01	51007385	1	5		PC DIO IN4148 17MA MICRO SIL 30V	P						
051	01	51906104	8	1		PC CONN, 9 PIN PC MTD TIN FIG 3	P						
052	01	65832103	9	5		PC SOCKET SPRING TIN	P						
053	01	24501801	5	250		FT WIRE BUSS 22GA SOLID CU TP	W						
054	01	51847500	9	1		PC CONN, PCB 20POS 2RX10P FIG 1	P						
055	01	51906103	0	1		PC CONN, 6 PIN PC MTD TIN FIG 2	P						
057	01	51632511	5	5		PC SCREW INSU NO 4 NYLON	B						
058	01	51907804	2	5		PC INSUL, PLSTC SEMI/MTG FIG 8	P						
059	01	10127103	9	8		PC MSCR PAN PHL 4-40X.312 STL ZP	B						
060	01	51003962	1	001		OZ PASTE, HEAT XFR CMPD NON-CONV	B						
061	01	51848404	3	3		PC SOCKET, IC 24 POS D-I-L TIN	P						
062	01	51848406	8	3		PC SOCKET, IC 40 POS D-I-L TIN	P						
063	01	61408806	0	1		PC CABLE ASSY KYBD	G						
064	01	61408695	7	1		PC CABLE ASSY I/O ENTRY	G						
065	01	51001120	8	46		PC CAP CER F=2 .01UF +80-20P 25V	P						
067	01	95791300	7	2		PC OPTICAL ISOLATOR	P						
068	01	51003092	7	3		PC XSTR 2N2222 HI SPEED NPN SIL	P						
069	01	51714000	0	1		PC XSTR 2N2907 PNP SIL	P						
070	01	94402206	0	1		PC RES FM 120K OHM 1/4W CARBON	P						

BUILD ARC 214

### ASSEMBLY PARTS LIST

PRINT DATE	PAGE	FILE CHANGE NO.
05-12-81	4	00014675

QTY	ASSEMBLY NUMBER	CD	REV.	DWG.	DESCRIPTION	MC	STATUS	STATUS DATE	ENG. RESP.	FILE DATE			
0860	90446277	7	0	D	REPLACED BY 90446308 14675	S	INA	05-08-81	CC628A	05-12-81			
FOUND NO.	U	PART NUMBER	CD	QTY	U/M	PART DESCRIPTION	MC	YLD	SCD. NO. IN	SCD. NO. OUT	S/N	WK IN	WK OUT
071	01	94402204	5	2		PC RES FM 100K OHM 1/4W CARBON	P						
072	01	94402172	4	3		PC RES FM 4.7K OHM 1/4W CARBON	P						
074	01	94402138	5	1		PC RES FM 180 OHM 1/4W CARBON	P						
075	01	50251300	5	1		PC IC 741C 301 OPER H-P ANPL	P						
076	01	51610800	8	8		PC DIO, SILICON RECT 200V 3A	P						
077	01	15101105	3	1		PC DIO IN748A 400MW ZEN VR 3.9V	P						
078	01	24565794	5	2		PC RES FXD WW 0.20 OHM 2W 5P	P						
080	01	94383709	6	1		PC CAP ELEC 10K UF -10+100P 15V	P						
081	01	94400623	8	1		PC CAP ELEC 6-63VDC	P						
082	01	51829313	9	1		PC CAP F/ELEC 5500AUF -20+75P	P						
082	02	94383706	2	1		PC CAP ELEC 7.5K UF -10+100P 35V	P		14557	14557		8116	8116
083	01	51918316	4	1		PC HT SINK, SEMI FIG 1 ALUM BLK	P						
085	01	94360276	3	1		PC RES FXD FM 619 OHM 1P 1/4W	P						
086	01	94360176	5	1		PC RES FXD FM 61.9 OHM 1P 1/4W	P						
087	01	51018874	2	1		PC RES VAR CER 200 OHM 20P 1/2W	P						
088	01	90446255	3	REF		PC SCH DIAG 98TD	D						
089	01	51904110	7	1		PC OSCILLATOR TTL DIP 18.000 MHZ	P						
092	01	95965100	1	2		PC IC 74LS174 6BIT LATCH	P						
093	01	15163436	7	1		PC IC 8243 INPUT/OUTPUT EXPANDER	P						
094	01	15163434	2	1		PC IC 74LS373 OCTAL D LATCH	P						
095	01	94375125	5	1		PC RES 8SIP NTKW 330 R 3P 1/4W	P						

BUILD ARC 214

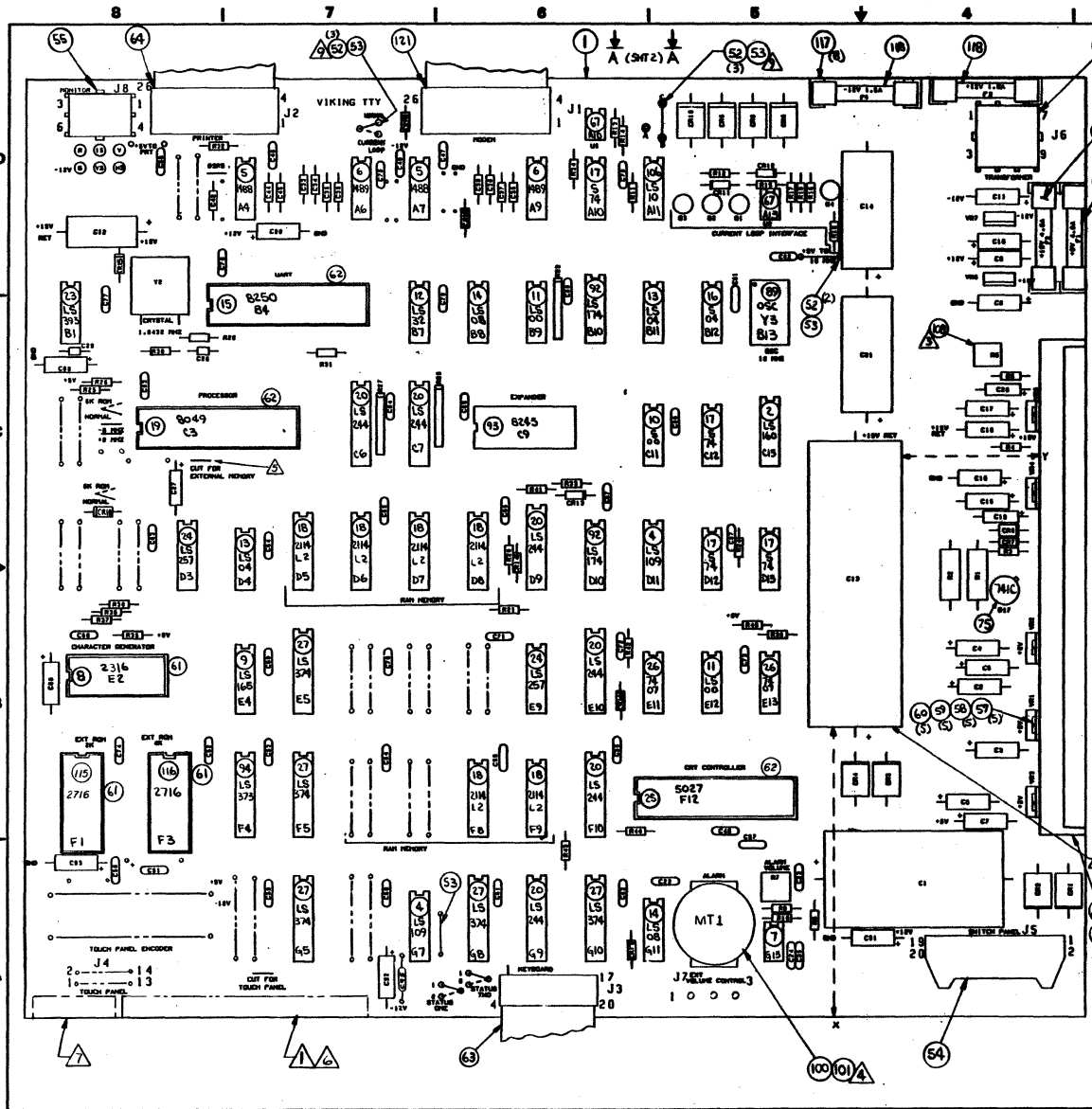
**ASSEMBLY PARTS LIST**

BUILD ARC 214											PRINT DATE		PAGE		FILE CHANGE NO.	
0860 90446277 7 U D REPLACED BY 90446308 14675 S INA											05-12-81		5		00014675	
REV.	CD	REV.	DWG.	DESCRIPTION	MC	STATUS	STATUS DATE	ING. RESP.	FILE DATE							
U	D	U	D	REPLACED BY 90446308 14675	S	INA	05-08-81	CC628A	05-12-81							
T	REV. NO.	U	PART NUMBER	CD	QTY	U/M	PART DESCRIPTION	MC	YLD	ECO. NO. IN	ECO. NO. OUT	S/N	WK IN	WK OUT		
	097	01	94402160	9	1		PC RES FM 1.5K OHM 1/4W CARBON	P								
	098	01	51239133	2	1		PC CAP FXD CER 10PF CASE S7 A	P								
	099	01	51839108	1	1		PC CAP FXD CER 47 PF 10P 100VDC	P								
	100	01	51918974	U	1		PC PIEZOCERAMIC TRANSDUCER	P								
	101	01	51918984	9	1		PC SOCKET TRANSDUCER	P								
	104	01	94375109	9	2		PC RES 8SIP NTKW 1000 R 3P 1.0W	P								
	106	01	15145600	1	1		PC IC 74LS10 141LS TTL 3I/P MANU	P								
	108	01	51873600	4	001		OZ VARNISH INSUL RED GLPT	B								
	109	01	24504378	1	16		PC CAP FXD TANT 2.2UF 20P 20WVDC	P								
	112	01	62201046	0	REF		PC LOG SUPPORT DOC	D								
	114	01	94402134	4	2		PC RES FM 120 OHM 1/4W CARBON	P								
	115	01	66307823	6	1		PC BIT MAP 2716	G								
	116	01	66307824	4	1		PC BIT MAP 2716	G								
	117	01	95588402	8	8		PC CLIP, FUSE 1/4D .165 F-1 CU	P								
	118	01	51650219	2	2		PC FUSE CARTRIDGE 1.50 AMP	P								
	120	01	51650225	9	2		PC FUSE CARTRIDGE 4 AMP	P								
	121	01	61408893	8	1		PC I/O ENTRY ASSY	G								
	122	01	51839127	1	1		PC CAP FXD CER 100PF 10P 100VDC	P								
	122	02	94240431	0	1		PC CAP CER 100PF 50V 10P	P		14634	14634		8132	8132		
	123	01	51004063	7	280		OZ ADHESIVE, SEALANT SIL RUBBER	B		14634			8116			

BUILD ARC 214

**ASSEMBLY PARTS LIST**

BUILD ARC 214											PRINT DATE		PAGE		FILE CHANGE NO.	
0860 90446277 7 U D REPLACED BY 90446308 14675 S INA											05-12-81		6		00014675	
REV.	CD	REV.	DWG.	DESCRIPTION	MC	STATUS	STATUS DATE	ING. RESP.	FILE DATE							
U	D	U	D	REPLACED BY 90446308 14675	S	INA	05-08-81	CC628A	05-12-81							
T	REV. NO.	U	PART NUMBER	CD	QTY	U/M	PART DESCRIPTION	MC	YLD	ECO. NO. IN	ECO. NO. OUT	S/N	WK IN	WK OUT		
							0104 TOTAL LINES									



**CROSS REFERENCE TABLE**

FIND NUMBER	REFERENCE DESIGNATION
28	R3, R21
29	R20
30	R14, R31, R34, R35, R36, R37, R38, R39, R40, R41, R43, R44
31	R19
32	R14, R16, R32
33	R7
34	R10
35	R9
36	R15
37	R8
39	C27
40	C20
41	C8, C10, C16, C17
42	C16, C21
43	C30, C33, C34, C35, C36, C37, C38, C39, C42, C44, C45
44	VR1, VR2, VR3
45	VR4, VR5, VR6
46	VR7
47	YL
48	R50
49	CR7, CR11, CR12, CR13, CR14, CR17, CR13, C15, C16, C17, C18, C19, C50, C51, C52, C53, C54, C55, C56, C57, C58, C59, C60, C61, C62, C63, C64, THRU C87
68	Q3, Q3, Q4
69	Q1
70	R12
71	R13, R17
72	R18, R15, R26
74	R11
76	CR1, CR2, CR3 THRU CR6, CR9, CR10
77	CR8
78	R1, R2
80	C1
81	C12
85	C13
85	R4
86	R5
87	R6
95	R28
97	R29
98	C29
99	C28
104	R22, R27
109	C2, C3, C4, THRU C7, C9, C11, C15, C18, C88, C89, C90, C91, C92, C93, R33, R41
114	R33, R41
122	C95
126	CR15, CR16, CR17, CR18, CR19, CR20
127	C24
128	C19

REV	ECO	DESCRIPTION	DATE	BY	CHKD
A		REVISED CIRCUIT			
B		REVISED CIRCUIT			
C		REVISED CIRCUIT			
D		REVISED CIRCUIT			
E		REVISED CIRCUIT			
F		REVISED CIRCUIT			
G		REVISED CIRCUIT			
H		REVISED CIRCUIT			
I		REVISED CIRCUIT			
J		REVISED CIRCUIT			
K		REVISED CIRCUIT			
L		REVISED CIRCUIT			
M		REVISED CIRCUIT			
N		REVISED CIRCUIT			
P		REVISED CIRCUIT			

**NOTES:**

- REMOVE THE TWO PLASTIC RIBS FROM CONNECTOR F/N 51 AS SHOWN TO ELIMINATE INTERFERENCE WITH F/N 118.
- IF THE F/N 1 BEING USED IN THIS ASSEMBLY IS MARKED "PWB 9044307 REV 00", IT MUST BE REWORKED PER ECO CD14916.
- FOR CURRENT LOOP OPERATION, PLACE JUMPER AT LOCATION A6 TO "CURRENT LOOP" AND JUMPER AT LOCATION A11 BETWEEN POINTS A AND C. FOR RS 232 / CCITT V. 24 OPERATION, POSITION JUMPERS AS SHOWN.

**CONTROL DATA**

DESIGNED BY	CC428
CHECKED BY	(Signature)
APPROVED BY	(Signature)
DATE	

**TITLE**  
P.C. CARD ASSEMBLY, 9BTD (VIKING TTY)

**CONTROL DATA**

CODE IDENT	15920
DRAWING NO	90446308
SCALE	N/A 15632119
SHEET	1 OF 1

ASSEMBLY PARTS LIST

90446308	P	A	D	CD ASSY 98TD VIKING TTY	CD	CC628A	07/29/85	017185	08/06/85	1 / 4
ASSEMBLY NUMBER	REV	CL	REV	ASSEMBLY DESCRIPTION	DESIGN SOURCE	PART USAGE	RELEASE DATE	CHANGE ORD. NUMBER	PROCESSING DATE	PAGE NUMBER

PR

FIND NUMBER	QTY	PART NUMBER	QUANTITY	UNIT	PART DESCRIPTION	IN/OUT STATUS	CHANGE ORD. NUMBER	DATE EFFECTIVE	MAKE/BUY PART TYPE	PH	QTY
59	A	10127103	8.00	PC	SCR HACH PAN PHL 4-40	IN			PPP1	N	
77	A	15101105	1.00	PC	DIODE VOLT REG	IN			PPP4	N	
15	A	15107884	1.00	PC	IC ASYNC COMM TYPE 8250A	IN	017185	071985	PPP4	N	
7	A	15112100	1.00	PC	IC NE555	IN			PPP4	N	
11	A	15144900	2.00	PC	IC TTL QUAD 2-IN NAND 74LS00	IN			PPP5	N	
13	A	15145100	2.00	PC	IC TTL HEX INVERTER 74LS04	IN			PPP5	N	
14	A	15145400	2.00	PC	IC TTL QUAD 2INPUT AND 74LS08	IN			PPP5	N	
106	A	15145600	1.00	PC	IC TTL TRPL 3INPUT NAND 74LS10	IN			PPP5	N	
12	A	15146200	1.00	PC	IC TTL QUAD 2INPUT OR 74LS32	IN			PPP5	N	
4	A	15148000	2.00	PC	IC TTL JK FF, DUAL 74LS109	IN			PPP5	N	
46	A	15151402	1.00	PC	IC -12V REG 356C 7912	IN			PPP4	N	
44	A	15151500	3.00	PC	IC - POS. VOLTAGE REG HA7800	IN			PPP4	N	
45	A	15151503	3.00	PC	IC - POS. VOLTAGE REG HA7800	IN			PPP4	N	
6	C	15163326	2.00	PC	IC 1489A RECEIVER RS232C DTL	IN			PPP5	N	
18	A	15163400	6.00	PC	MICROCIRCUIT 2114L-2	IN			PPP4	N	
27	A	15163404	9.00	PC	MICROCIRCUIT 74LS374 TYPE	IN			PPP5	N	
20	A	15163414	6.00	PC	IC 74LS244	IN			PPP5	N	
9	A	15163415	1.00	PC	IC 74LS165 TYPE	IN			PPP4	N	
23	A	15163419	1.00	PC	MICROCIRCUIT 74LS393 TYPE	IN			PPP5	N	
94	A	15163434	1.00	PC	74LS373 OCTAL D LATCH	IN			PPP5	N	
93	A	15163436	1.00	PC	IC-8243 INPUT/OUTPUT EXPANDER	IN			PPP4	N	
19	A	15163437	1.00	PC	IC 8039/8049	IN	016104	08Q583	PPP4	N	
2	A	15163439	1.00	PC	I.C.	IN			PPP4	N	
15	A	15163462	1.00	PC	MICROCIRCUIT TYPE 8250	OUT	017185	071985	PPP4	N	
5	A	15163463	2.00	PC	I.C. DRIVER, TYPE 1488	IN			PPP5	N	
25	A	15163473	1.00	PC	IC 5037 MOS/TTL CRT VIDED T/C	IN	015472	111282	PPP4	N	
24	A	15164402	2.00	PC	IC 74LS257 MULTIPLEXER	IN			PPP4	N	
65	C	19115400	45.00	PC	CAP, FXD CERAM 50VDC .01MFD	IN	016025	072283	PPP5	N	
40	C	24504317	1.00	PC	CAP FXD TANT .1 UF 35WVDC	IN	016330	110483	PPP5	N	
39	C	24504329	1.00	PC	CAP FXD TANT 1.0 UF 35WVDC	IN			PPP4	N	
41	C	24504333	4.00	PC	CAP FXD TANT 2.2 UF 35WVDC	IN			PPP5	N	
109	C	24504378	16.00	PC	CAP FXD TANT 2.2 UF 20WVDC	IN			PPP5	N	
78		24565794	2.00	PC	RES	IN			PPP4	N	
75	A	50251300	1.00	PC	J.C. LIN. OP AMP-E3 741C	IN			PPP4	N	
68	A	51003092	3.00	PC	XSTR-2N2222,SIL,NPN,HIGH SPEED	IN			PPP5	N	
60	A	51003962	0.01	OZ	HEAT SINK TRANSFER COMPOUND	IN	017399	080185	PPP3	N	

ARDEN HILLS MFG INFO

PRINTED IN U.S.A.

ASSEMBLY PARTS LIST

90446308	P	A	D	CD ASSY 98TD VIKING TTY	CD	CC628A	07/29/85	017185	08/06/85	2 / 4
ASSEMBLY NUMBER	REV	CL	REV	ASSEMBLY DESCRIPTION	DESIGN SOURCE	PART USAGE	RELEASE DATE	CHANGE ORD. NUMBER	PROCESSING DATE	PAGE NUMBER

PR

FIND NUMBER	QTY	PART NUMBER	QUANTITY	UNIT	PART DESCRIPTION	IN/OUT STATUS	CHANGE ORD. NUMBER	DATE EFFECTIVE	MAKE/BUY PART TYPE	PH	QTY
123	A	51004063	0.28	OZ	ADHESIVE AMBER SYN466	IN			PPP3	N	
49	A	51007385	5.00	PC	DIODE SI 10V	IN			PPP5	N	
76	A	51610800	8.00	PC	DIO RECT SIL 200V 25MA	IN			PPP4	N	
57	A	51632519	5.00	PC	SCREW INSUL	IN	015821	072983	PPP3	N	
118	A	51650219	2.00	PC	FUSE CARTRIDGE 1.50 AMP	IN			PPP4	N	
120	A	51650225	2.00	PC	FUSE CARTRIDGE 4 AMP	IN			PPP4	N	
69	A	51714000	1.00	PC	XSTR-2N2907,PNP,SI TO-18	IN			PPP5	N	
33	A	51785534	1.00	PC	RES VAR CERN 10K OHM 20P .5W	IN			PPP4	N	
42	A	51829309	2.00	PC	CAP-FXD,ELECTR 500MF 35 DCWV	IN			PPP4	N	
98	A	51839103	1.00	PC	CAP FXD CER 18PF 10P 100VDC	IN			PPP4	N	
99	A	51839108	1.00	PC	CAP FXD CER 47PF 100V 10P	IN			PPP4	N	
43	A	51839119	11.00	PC	CAPACITOR FIXED CERAMIC 100VDC	IN			PPP4	N	
54	A	51847500	1.00	PC	CONNECTOR	IN			PPP4	N	
61	A	51848404	3.00	PC	CONN SKT DUAL IN LINE 24 POS	IN			PPP4	N	
62	A	51848406	3.00	PC	CONN SKT DUAL IN LINE 40 POS	IN			PPP4	N	
108	A	51873600	0.01	OZ	VARNISH INSUL RED GLPT	IN	017399	080185	PPP3	N	
89	A	51904110	1.00	PC	OSCILLATOR TTL D.I.P.	IN			PPP5	N	
55	A	51906103	1.00	PC	CONN P.C. 6POS TIN PLT	IN			PPP4	N	
51	A	51906104	1.00	PC	CONNECTOR,P.C. MTG 9 CONTACTS	IN			PPP4	N	
58	A	51907804	5.00	PC	INSULATOR, PLASTIC FILM	IN			PPP4	N	
83	A	51918316	1.00	PC	HT SINK, SEMI FIG 1 ALUM BLK	IN			PPP4	N	
87	A	51918874	1.00	PC	RES VAR CRM 200 R 20P 1/2W 3	IN			PPP4	N	
100	A	51918974	1.00	PC	PIEZOCERAMIC TRANSDUCER	IN			PPP4	N	
101	A	51918984	1.00	PC	SOCKET TRANSDUCER	IN			PPP4	N	
124	C	52629949	4.80	IN	WIRE ELEC 30 GA WHITE	IN			PPP5	N	
64	A	61408699	1.00	PC	CABLE ASSY I/O ENTRY	IN			AYM4	N	
63	A	61408806	1.00	PC	CABLE ASSY KYBD	IN			AYM4	N	
121	A	61408893	1.00	PC	I/O ENTRY ASSY	IN			AYM4	N	
47	A	62039307	1.00	PC	CRYSTAL QUARTZ	IN			PPP4	N	
112	C	62201046	REF	PC	LOG SUPPQRT DOC	IN			RFE4	N	
52	A	65832103	8.00	PC	SKT, MINI-SPG .022-.025 SN/SN	IN			PPP4	N	
8		66306230	1.00	PC	CHR GEN ASCII	IN			PPP4	N	
115	A	66307823	1.00	PC	F/W ASSY, PGM 2716 EPROM IC	IN	016104	080583	AYM4	N	
116	A	66307824	1.00	PC	F/W ASSY, PGM 2716 EPROM IC	IN			AYM4	N	
26	A	88883200	2.00	PC	IC 7407 TTL HEX BUFFER (OC)	IN			PPP5	N	
16	A	88883700	1.00	PC	IC 74504 SCHOTTKY TTL HEX INV	IN			PPP5	N	

ARDEN HILLS MFG INFO

PRINTED IN U.S.A.

ASSEMBLY PARTS LIST

90446308	P	A	D	CD ASSY 98TD VIKING TTY	CD	CC628A	07/29/85	D17185	08/06/85	3 / 4
ASSEMBLY NUMBER	REV	CL	REV	ASSEMBLY DESCRIPTION	DESIGN SOURCE	PART USAGE	RELEASE DATE	CHANGE ORD. NUMBER	PROCESSING DATE	PAGE NUMBER

PR

FIND NUMBER	REV	CL	REV	PART NUMBER	QUANTITY	UNIT	DESCR.	PART DESCRIPTION	INPUT STATUS	CHANGE ORD. NUMBER	DATE EFFECTIVE	MARK/REV PART TYPE	PH	CL	REV
10	A			88884500	1.00	PC	IC	74500 SCHOTTKY TTL QUAD 2-1	IN			PPP5			N
17	A			88923000	4.00	PC	IC	74574 TTL DUAL D EDGE F/F	IN			PPP5			N
88	C			90446255		REF	PC	SCH DIAG 98TD	IN			RFE4			N
1	D			90446307	1.00	PC	FM	8D 98TD	IN	014870	102381	PPP4			N
128	A			94240401	1.00	PC	CAPACITOR	MONOLITIC CERAMIC	IN	016330	110483	PPP4			N
127	A			94240411	1.00	PC	CAP, CERAMIC,	X7R, 50V 10X	IN	016025	072283	PPP5			N
122	A			94240431	1.00	PC	CAP CERAMIC		IN			PPP4			N
86	A			94360176	1.00	PC	RES FXD FM	61.9 OHM 1P 1/4W	IN			PPP4			N
85	A			94360276	1.00	PC	RES 1/4WATT	1PCT 619OHMS	IN			PPP4			N
104	A			94375109	2.00	PC	RES NETWORK,	8PIN SIP 1K OHMS	IN			PPP4			N
95	A			94375125	1.00	PC	RES NETWORK,	8PIN SIP 330 OHMS	IN			PPP4			N
82	C			94383706	1.00	PC	CAP ELEC	7.5K UF -10+100P 35V	IN			PPP4			N
80	C			94383709	1.00	PC	CAP ELEC	10K UF -10+100P 15V	IN			PPP4			N
81	A			94400623	1.00	PC	CAP AL ELEC	47 UF-10+100P 35V	IN			PPP4			N
29	A			94402126	1.00	PC	RES FXD C FM	56 OHM 5P 1/4W	IN			PPP4			N
37	A			94402128	1.00	PC	RES 1/4 CARBON FILM	7-5K OHMS	IN			PPP5			N
114	A			94402134	2.00	PC	RESISTOR	1/4 WATT	IN			PPP5			N
74	A			94402138	1.00	PC	RES CARBON FILM	180 OHMS .25W	IN			PPP4			N
36	A			94402140	1.00	PC	RESISTOR	1/4 WATT	IN			PPP5			N
28	A			94402143	2.00	PC	RESISTOR	300 OHMS	IN			PPP5			N
31	A			94402148	1.00	PC	RES 1/4W CARBON FILM	470 OHMS	IN			PPP5			N
30	A			94402156	12.00	PC	RES 1/4W CARBON FILM	1K OHMS	IN			PPP5			N
97	A			94402160	1.00	PC	RES 1/4W CARBON FILM	1.5K OHMS	IN			PPP5			N
72	A			94402172	3.00	PC	RES 1/4W CARBON FILM	4.7K OHMS	IN			PPP5			N
35	A			94402179	1.00	PC	RES FXD C FM	9.1K OHM 5P 1/4W	IN			PPP4			N
32	A			94402180	3.00	PC	RES 1/4W CARBON FILM	10K OHMS	IN			PPP5			N
34	A			94402184	1.00	PC	RESISTOR	1/4WATT 15K OHMS	IN	016025	072283	PPP5			N
71	A			94402204	2.00	PC	RES CARBON FILM	100KOHMS .25W	IN			PPP5			N
70	A			94402206	1.00	PC	RESISTOR	120K	IN			PPP4			N
48	A			94402228	1.00	PC	RES 1 NEG OHM	.25 WATT	IN			PPP4			N
53	C			94625999	3.00	IN	WIRE-SOL,TFL	INS 300V,22A,WHT	IN	015582	011483	PPP5			N
125	A			95048500	0.05	OZ	EPOXY,	TWO PART, 5 MINUTE	IN	017131	050385	PPP3			N
117	C			95588402	8.00	PC	CLIP,	FUSE 1/40 .165 F-1 CU	IN			PPP4			N
126	C			95637304	6.00	PC	DIODE		IN	014870	102381	PPP5			N
67	A			95791300	2.00	PC	I.C.,	OPTO-ISOLATOR TYPE 4N26	IN			PPP4			N
92	A			95963100	2.00	PC	IC LATCH	6BIT D TYPE74LS174	IN			PPP5			N

AA3708 REV 4-80 CDC ARDEN HILLS MFG INFO

PRINTED IN U.S.A.

ASSEMBLY PARTS LIST

90446308	P	A	D	CD ASSY 98TD VIKING TTY	CD	CC628A	07/29/85	D17185	08/06/85	4 / 4
ASSEMBLY NUMBER	REV	CL	REV	ASSEMBLY DESCRIPTION	DESIGN SOURCE	PART USAGE	RELEASE DATE	CHANGE ORD. NUMBER	PROCESSING DATE	PAGE NUMBER

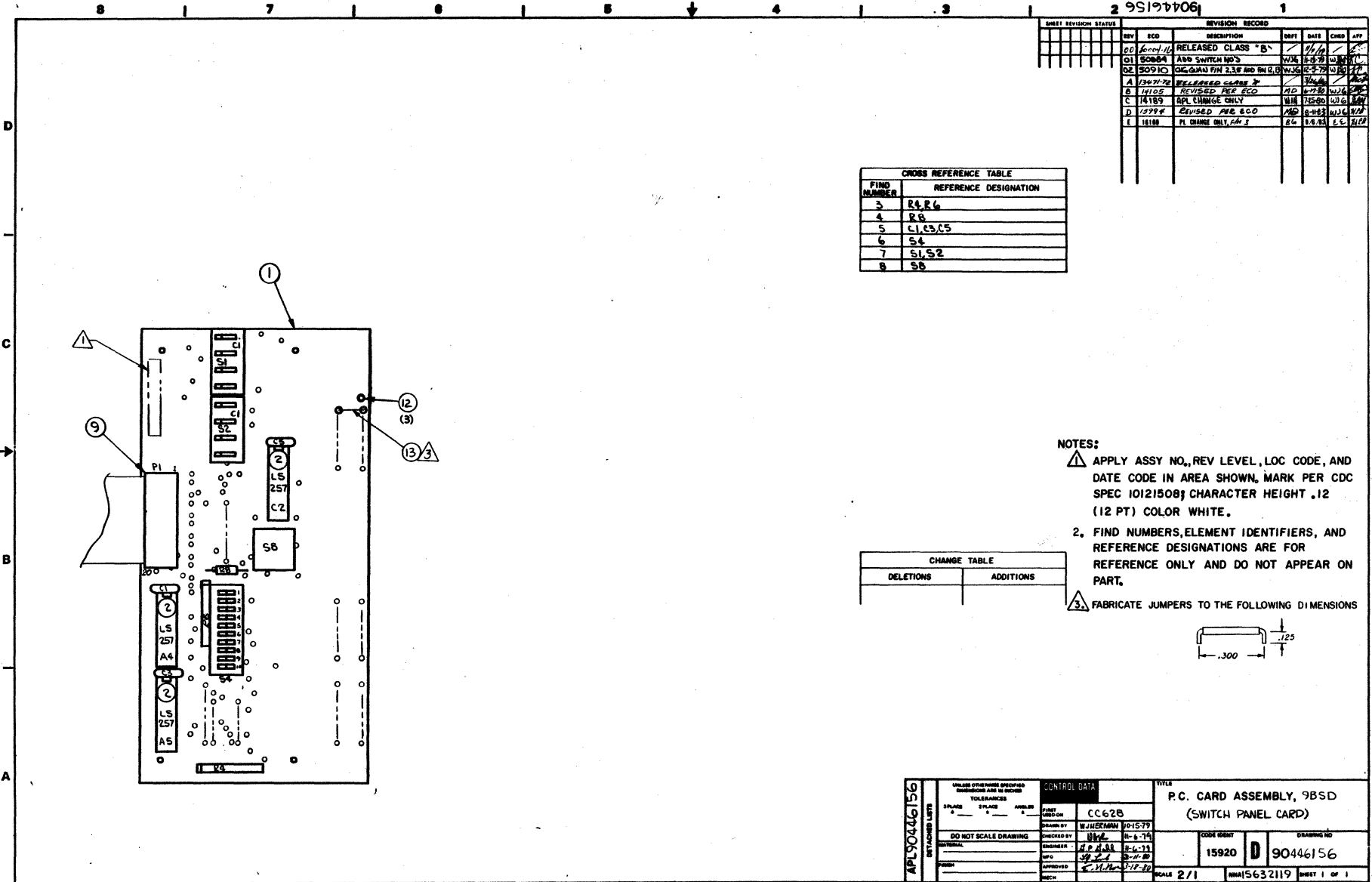
PR

FIND NUMBER	REV	CL	REV	PART NUMBER	QUANTITY	UNIT	DESCR.	PART DESCRIPTION	INPUT STATUS	CHANGE ORD. NUMBER	DATE EFFECTIVE	MARK/REV PART TYPE	PH	CL	REV
NUMBER OF LINE ITEMS = 103 HIGHEST FIND NUMBER = 178															

AA3708 REV 4-80 CDC ARDEN HILLS MFG INFO

PRINTED IN U.S.A.

THIS PAGE INTENTIONALLY BLANK



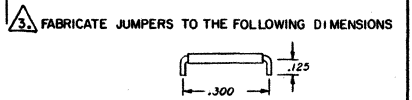
SHEET REVISION STATUS		REVISION RECORD					
REV	ECO	DESCRIPTION	DEPT	DATE	CHKD	APP	
20	1004-16	RELEASED CLASS "B"		11/79			
01	SC004	AND SWITCH WPS	WJL	11-29	WJL		
02	80910	ORGANIZ FIN 2.3F AND EN G.D.	WJL	12-27	WJL		
A	1347-72	RELEASED CLASS "P"		3/6/80			
B	14102	REVISED PER ECO	MD	6-17-80	WJL		
C	14189	APL CHANGE ONLY	WJL	7-15-80	WJL		
D	15792	REVISED PER ECO	MD	8-11-80	WJL		
E	16188	PL CHANGE ONLY, CH 2	EG	1-6-81	E.C.		

CROSS REFERENCE TABLE	
FIND NUMBER	REFERENCE DESIGNATION
3	R4,R6
4	R8
5	C1,C3,C5
6	S4
7	S1,S2
8	S8

NOTES:

- APPLY ASSY NO., REV LEVEL, LOC CODE, AND DATE CODE IN AREA SHOWN, MARK PER CDC SPEC 10121508; CHARACTER HEIGHT .12 (12 PT) COLOR WHITE.
- FIND NUMBERS, ELEMENT IDENTIFIERS, AND REFERENCE DESIGNATIONS ARE FOR REFERENCE ONLY AND DO NOT APPEAR ON PART.

CHANGE TABLE	
DELETIONS	ADDITIONS



CONTROL DATA		TITLE	
UNLESS OTHERWISE SPECIFIED TOLERANCES ARE IN INCHES	CC628	P.C. CARD ASSEMBLY, 9BSD (SWITCH PANEL CARD)	
3PLACES PLACES APPLICABLE	W. JEREMAN 10-15-79	CODE IDENT	DRAWING NO
DO NOT SCALE DRAWING	15920	D	90446156
DATE	11-29-79	SCALE	2/1
APPROVED	W. J. JEREMAN	INSTR	5632119
MECH		SHEET	1 OF 1



BUILD ARC 214

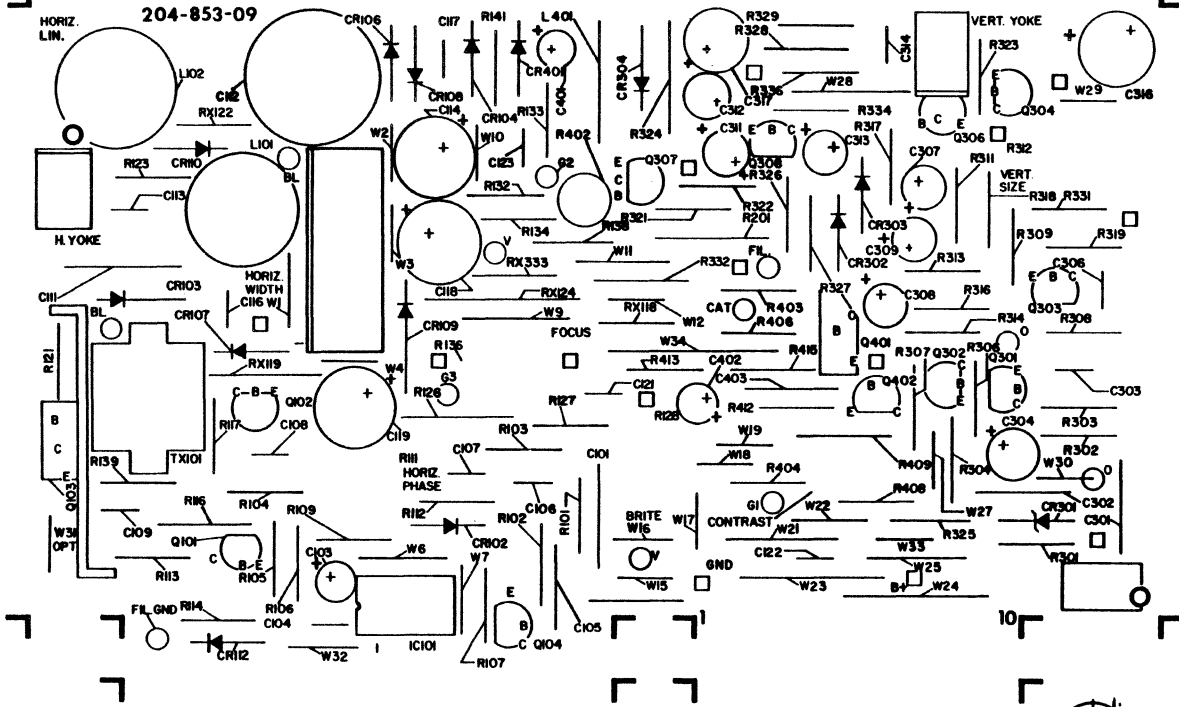
### ASSEMBLY PARTS LIST

PRINT DATE	PAGE	FILE CHANGE NO.
09-07-83	1	00016100

DIV.		ASSEMBLY NUMBER	CD	REV.	DWG.	DESCRIPTION		MC	STATUS	STATUS DATE	ENG. RESP.	FILE DATE		
0860		90446156	3	E	D	PC ASSY (SW PNL TTY)		S	REL	03-26-80	CC628A	09-07-83		
TRFIND NO	LI	PART NUMBER	CD	MC	QUANTITY	U/M	PART DESCRIPTION	MC	YLD	ECO. NO. IN	ECO. NO. OUT	S/N	WK IN	WK OUT
001	01	90446155	5		1		PC PWB SW PNL (TTY)	P						
002	02	15164402	8		3		PC IC 74LS257 TTL QUAD MUX	P		14105			8024	
003	02	94375105	7		2		PC RES 8SIP NTWK 10K R 3P 1/4W	P		14105	16100		8024	8332
003	03	91938553	4		2		PC RES 8SIP NTWK 10K OHM 2P 1.1W	P		16100			8332	
004	01	94402156	7		1		PC RES FXD C FM 1.0K OHM 5P 1/4W	P						
005	03	19115400	4		3		PC CAP FXD CER .01UF +80-20P 50V	P		14856			8148	
006	01	51862506	6		1		PC SW, SUBMIN PCB 10-SPST TGL F1	P						
007	01	51862507	4		2		PC SW, SUBMIN PCB 4-SPDT TGL F-2	P						
008	01	51918728	0		1		PC SW, M-PUSH N.O./SP .01A 12VDC	P						
009	01	61408694	0		1		PC CABLE ASSY SW PNL (TTY)	G						
010	01	16006500	9	REF			PC FABRICATION SPECIFICATION	D						
011	01	90446154	8	REF			PC SCH DIAG 98SD	D						
012	03	65832100	5		3		PC SKT, MINI-5P6 .018-.020 SN/SW	P		14189			8030	
013	01	24501806	4		250	FT	WIRE, BUSS 24AWG SOLID CU/SN	W			15994			8332
013	02	51654104	2		250	FT	WIR 24GA SLD YEL 700V UL MYL	W		15994	15994A		8332	8332
013	03	94624999	2		250	FT	WIRE SOL COP TIN 24GA WHT	W		15994A			8332	
014	01	51797421	8		083	FT	TUBING INSULATION THIN WALL	B		14105	15994		8024	8332
0017 TOTAL LINES														



62940004 J



4.000

ARTWORK FOR			
PART NO.	204-853-09	REV.	1
DESC.	COMPONENT SIDE LEGEND		
DATE	1-1-63	DATE	1-1-63
BY	A. E. WOODWARD		
ZENITH RADIO CORPORATION			



BUILD ARC 829

### ASSEMBLY PARTS LIST

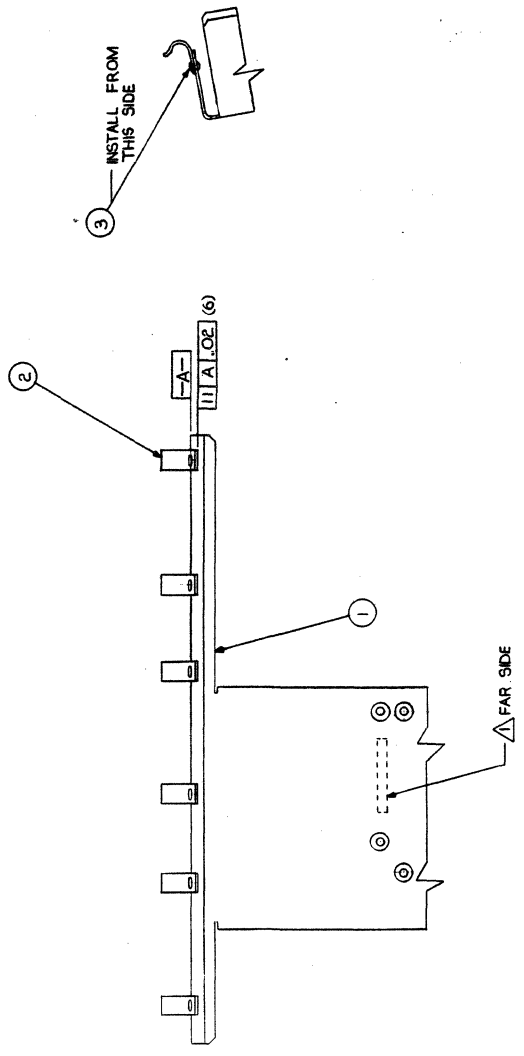
PRINT DATE	PAGE	FILE CHANGE NO.
01-04-79	1	12402-82

DIV.		ASSEMBLY NUMBER		REV.	DWG.	DESCRIPTION		MC	STATUS	STATUS DATE	ENG. RESP.	FILE DATE		
0800		61408439		A	A	BEZEL/DOOR ASSY		V	REL	11-29-78		01-04-79		
ITEM NO	LI	PART NUMBER	CD	QUANTITY	U/M	PART DESCRIPTION		MC	YLD	ECO. NO. IN	ECO. NO. OUT	S/N	WK IN	WK OUT
001	01	71492607	8	1		PC BEZEL, CRT (PLASTIC)								
002	01	71492647	4	1		PC DOOR (PLASTIC)								
0002 TOTAL LINES														

REVISION RECORD		REV	DATE	BY	CHKD
1	INITIAL				
2	INITIAL				
3	INITIAL				
4	INITIAL				
5	INITIAL				
6	INITIAL				
7	INITIAL				
8	INITIAL				
9	INITIAL				
10	INITIAL				

REV	DATE	BY	CHKD
1	10/1/77	W. J. B.	W. J. B.
2	10/1/77	W. J. B.	W. J. B.
3	10/1/77	W. J. B.	W. J. B.
4	10/1/77	W. J. B.	W. J. B.
5	10/1/77	W. J. B.	W. J. B.
6	10/1/77	W. J. B.	W. J. B.
7	10/1/77	W. J. B.	W. J. B.
8	10/1/77	W. J. B.	W. J. B.
9	10/1/77	W. J. B.	W. J. B.
10	10/1/77	W. J. B.	W. J. B.

NOTES:  
 △ MARK 'ASSY 71493108' IN APPROX AREA SHOWN PER CDC SPEC 101E1506.



REVISION RECORD		REV	DATE	BY	CHKD
1	INITIAL				
2	INITIAL				
3	INITIAL				
4	INITIAL				
5	INITIAL				
6	INITIAL				
7	INITIAL				
8	INITIAL				
9	INITIAL				
10	INITIAL				

REV	DATE	BY	CHKD
1	10/1/77	W. J. B.	W. J. B.
2	10/1/77	W. J. B.	W. J. B.
3	10/1/77	W. J. B.	W. J. B.
4	10/1/77	W. J. B.	W. J. B.
5	10/1/77	W. J. B.	W. J. B.
6	10/1/77	W. J. B.	W. J. B.
7	10/1/77	W. J. B.	W. J. B.
8	10/1/77	W. J. B.	W. J. B.
9	10/1/77	W. J. B.	W. J. B.
10	10/1/77	W. J. B.	W. J. B.

REVISION RECORD		REV	DATE	BY	CHKD
1	INITIAL				
2	INITIAL				
3	INITIAL				
4	INITIAL				
5	INITIAL				
6	INITIAL				
7	INITIAL				
8	INITIAL				
9	INITIAL				
10	INITIAL				

REV	DATE	BY	CHKD
1	10/1/77	W. J. B.	W. J. B.
2	10/1/77	W. J. B.	W. J. B.
3	10/1/77	W. J. B.	W. J. B.
4	10/1/77	W. J. B.	W. J. B.
5	10/1/77	W. J. B.	W. J. B.
6	10/1/77	W. J. B.	W. J. B.
7	10/1/77	W. J. B.	W. J. B.
8	10/1/77	W. J. B.	W. J. B.
9	10/1/77	W. J. B.	W. J. B.
10	10/1/77	W. J. B.	W. J. B.

REVISION RECORD		REV	DATE	BY	CHKD
1	INITIAL				
2	INITIAL				
3	INITIAL				
4	INITIAL				
5	INITIAL				
6	INITIAL				
7	INITIAL				
8	INITIAL				
9	INITIAL				
10	INITIAL				

REV	DATE	BY	CHKD
1	10/1/77	W. J. B.	W. J. B.
2	10/1/77	W. J. B.	W. J. B.
3	10/1/77	W. J. B.	W. J. B.
4	10/1/77	W. J. B.	W. J. B.
5	10/1/77	W. J. B.	W. J. B.
6	10/1/77	W. J. B.	W. J. B.
7	10/1/77	W. J. B.	W. J. B.
8	10/1/77	W. J. B.	W. J. B.
9	10/1/77	W. J. B.	W. J. B.
10	10/1/77	W. J. B.	W. J. B.

REVISION RECORD		REV	DATE	BY	CHKD
1	INITIAL				
2	INITIAL				
3	INITIAL				
4	INITIAL				
5	INITIAL				
6	INITIAL				
7	INITIAL				
8	INITIAL				
9	INITIAL				
10	INITIAL				

REV	DATE	BY	CHKD
1	10/1/77	W. J. B.	W. J. B.
2	10/1/77	W. J. B.	W. J. B.
3	10/1/77	W. J. B.	W. J. B.
4	10/1/77	W. J. B.	W. J. B.
5	10/1/77	W. J. B.	W. J. B.
6	10/1/77	W. J. B.	W. J. B.
7	10/1/77	W. J. B.	W. J. B.
8	10/1/77	W. J. B.	W. J. B.
9	10/1/77	W. J. B.	W. J. B.
10	10/1/77	W. J. B.	W. J. B.

BUILD ARC 838

### ASSEMBLY PARTS LIST

DIV.		ASSEMBLY NUMBER		CD	REV.	DWG.	DESCRIPTION		MC	STATUS	PRINT DATE	PAGE	FILE CHANGE NO.		
0860		71493108		6	B	D	BASE PLATE/RFI FINGER ASSY		V	REL	06-02-80	1	00014093		
T/FIND NO		LI	PART NUMBER	CD	MC	QUANTITY	U/M	PART DESCRIPTION	MC	YLD	ECO. NO. IN	ECO. NO. OUT	S/N	WK IN	WK OUT
001	01		71493089	8		1		PC PLATE BASE		P					
002	01		71492917	1		6		PC CONTACT FINGER 90		N		14093	14093		8022
002	02		71493144	1		6		PC CONTACT 90 FINGER		V				8022	
003	01		51787002	8		6		PC EYELET		B					
								0004 TOTAL LINES							

DWN	H. Glaser	12/72	CONTROL DATA	TITLE	PREFIX	DOCUMENT NO.	REV.
CHKD	W. S. Hall	12-14-72	15920	LINE FILTER ASSY	A	61408878	C
ENG	A. P. Smith	12-14-72		FIRST USED ON	NHA		
MFG	S. J. Hall	3-7			61408539		
APPR	S. J. Hall	3-8-72	15920	C628			SHEET 1 OF 2

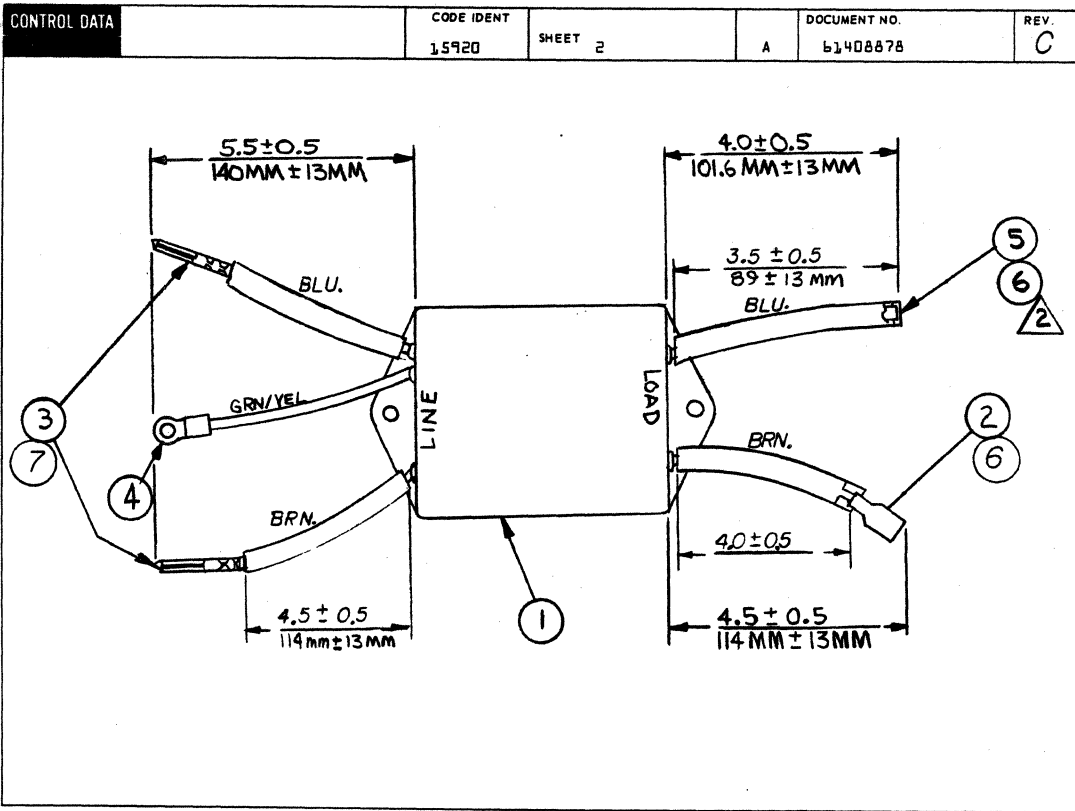
  

SHEET REVISION STATUS				REVISION RECORD			
2	1	REV	ECO	DESCRIPTION	DRFT	DATE	APP
		- 00	00	60004-41		12/17/72	
		01	01	50957	WJG 1-17-80	1-19-80	
		A	A	13471-72		7/24/80	
		B	B	14104	WJH	7/1/80	
		C	C	14353	MD	12-29-80	

NOTES:

- Bulk identify with CDC part number.
- Heat Shrink must completely cover faston.

APL 61408878  
DETACHED LISTS





BUILD ARC 104

**ASSEMBLY PARTS LIST**

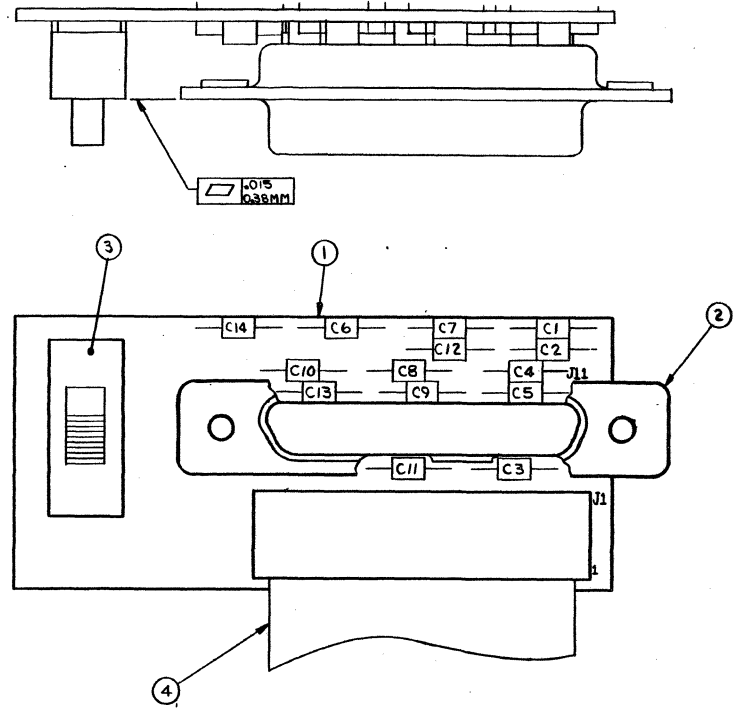
PRINT DATE	PAGE	FILE CHANGE NO.
12-04-80	1	00014353

DIV	ASSEMBLY NUMBER	CD	REV.	DRWG.	DESCRIPTION	MC	STATUS	STATUS DATE	ENG. RESP.	FILE DATE			
0860	61408878	9	C	A	LINE FILTER ASSY	A	REL	03-26-80	CC628A	12-04-80			
T/PNO	U	PART NUMBER	CD	QTY	U/M	PART DESCRIPTION	MC	YLD	SCD. NO. IN	SCD. NO. OUT	S/N	WK IN	WK OUT
001	01	15164356	6	1		PC FILTER RFI	P						
002	01	95643231	4	2		PC LUG, Q-CONN 22-18AWG FIG 5	P						8024
002	02	95643249	6	1		PC LUG, Q-CONN 22-18AWG FIG 5	P		14104	14104		8024	
003	01	44674036	7	2		PC CONN PWR RECPT	P						
004	01	51797219	6	1		PC LUG, NO.10 CRMP-R 22-18AWG	B						
005	01	63747001	1	1		PC CONT, RCPT 22-18AWG B/TIN S	P		14104			8024	
006	01	24534709	1	166	FT	SLVG, 1/4 HT/SHRINK BLK UL	B		14104	14353		8024	8047
006	02	24534709	1	791	FT	SLVG, 1/4 HT/SHRINK BLK UL	B		14353			8047	
007	01	24528617	4	833	FT	TBG, NO. 6 INS BLK UL PVC	B		14353			8047	
0009 TOTAL LINES													

9046218

SHEET REVISION STATUS		REVISION RECORD						
REV	ECO	DESCRIPTION	DRFT	DATE	CHKD	APP		
00	500A-57	RELEASED CLASS "B"		7-780				
01	50985	FIN 2 WAS 83434800	WJG	2-1-80				
02	51021	ADD 0 SIZE DIMS	WJG	2-25-80				
A	1367-28	ADD DIMS						
B	14224	ADD DIM 7	WJG	8-8-80				
C	14294	APL CHANGE ONLY	WJG	8-8-80				
D	14231	CHG NOTE 1 TO BULK IDENT	WJG	5-21-81				

CROSS REFERENCE TABLE	
FIND NUMBER	REFERENCE DESIGNATION
7	C1,C2,C3,C4,C5,C6,C7,C8,TKU C14



- NOTES:
1. BULK IDENTIFY WITH CDC PART NUMBER AND REVISION.
  2. FIND NUMBERS, ELEMENT IDENTIFIERS, AND REFERENCE DESIGNATIONS ARE FOR REFERENCE ONLY AND DO NOT APPEAR ON PART.

CHANGE TABLE	
DELETIONS	ADDITIONS

APL 50446218 ATTACHED LIST	UNLESS OTHERWISE SPECIFIED DIMENSIONS ARE IN INCHES		CONTR. DATE		TITLE	
	TOLERANCES		PART NUMBER		P.C. CARD ASSEMBLY, OAAD	
	FINISH	ANGLE	CC628A		(I/O CONN. / TEST SWITCH)	
	DO NOT SCALE DRAWING		DRAWN BY W.J. HERMAN 2-780			
MATERIAL		CHECKED BY		CODE IDENT	DRAWING NO	
		E.P. 8-28-80		15920	D 90446218	
		ENGR				
		L.H. 3-11-80				
		APPROVED				
		L.H. 5-17-80				
		MECH				
		E.H.C.		SCALE 4/1	NMA 61408893	SHEET 1 OF 1

BUILD ARC 230

### ASSEMBLY PARTS LIST

DIV		ASSEMBLY NUMBER	CD	REV.	DWG.	DESCRIPTION	MC	STATUS	PRINT DATE	PAGE	FILE CHANGE NO.			
0860		90446218	1	D	D	CD ASSY OADD (I/O ENTRY)	N	REL	02-09-81	1	00014531			
T	PRNO NO.	U	PART NUMBER	CD IN	QUANTITY	U/M	PART DESCRIPTION	MC	YLD	BOD. NO. IN	BOD. NO. OUT	S/N	WK IN	WK OUT
	001	01	90446217	3	1		PC PW BD OAAD	P						
	002	01	83434804	7	1		PC CONN 25 PIN	P						
	002	02	10129633	3	1		PC CONN RCPT, PCB 25SKT .125 TIN	P		14294	14294		8035	8035
	003	01	51630901	0	1		PC SW, OT DETENTED SLIDE FIG 2	P						
	004	01	61408894	6	1		PC CABLE ASSY ENTRY CARD	G						
	005	01	16006500	9	REF		PC FABRICATION SPECIFICATION	D						
	006	01	90446216	5	REF		PC SCH DIAG OAAD	D						
	007	01	51839119	8	14		PC CAP FXD CER 390PF 10P 100VDC	P		14254A			8033	
							0008 TOTAL LINES							

DWN	W. Glaser	12/75	CONTROL DATA	TITLE	PREFIX	DOCUMENT NO.	REV.
CHKD	W. Glaser	7-4-75	CORPORATION	CBL ASSY CRT/BRIGHTNESS	A	61408810	E
ENG	A. P. ...	12-4-75		FIRST USED ON	NHA		
MFG	...	3-12-80	CODE IDENT	CC628	90446159	SHEET	1 OF 3
APPR	E. H. ...		15920				

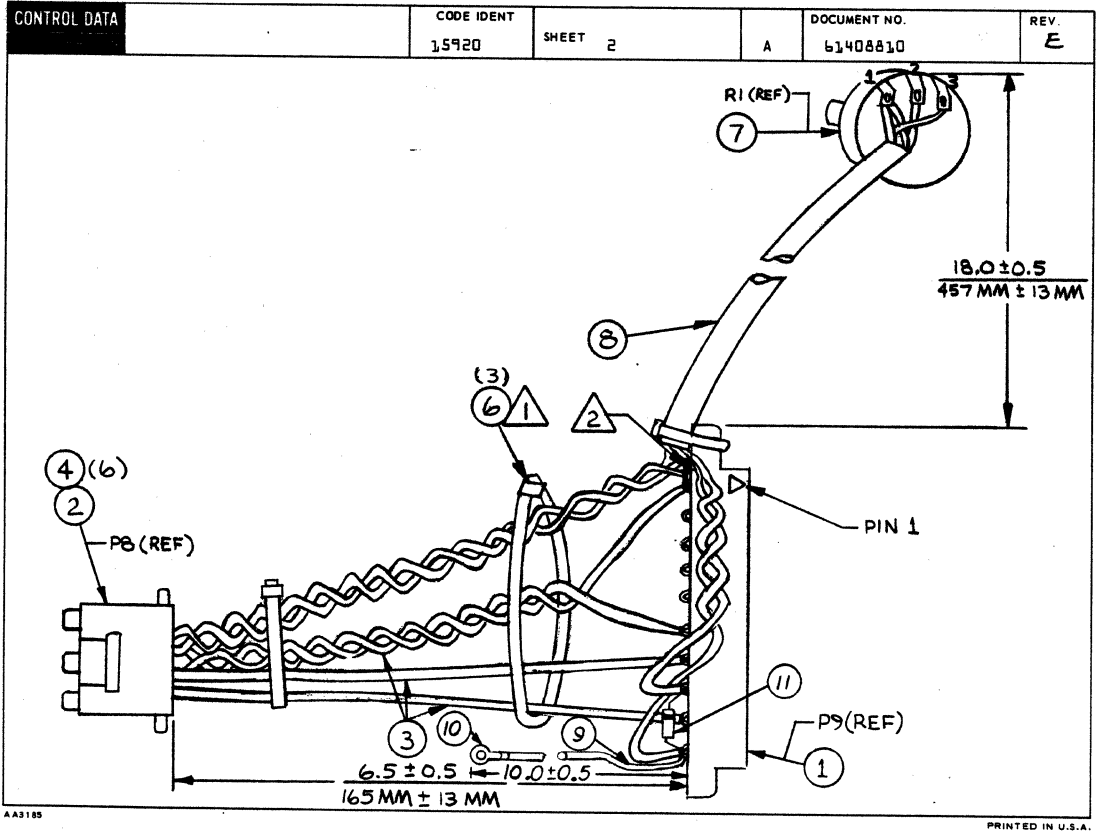
  

SHEET REVISION STATUS				REVISION RECORD				
REV	ECO	DESCRIPTION	DRFT	DATE	APP			
3	2	1	REV	ECO	DESCRIPTION	DRFT	DATE	APP
-	-	00	00	50204-41	RELEASED CLASS B		7/7/79	
01	01	01	01	50957	ADD SMT 2, 3	WJG 1-17-80	1-13-80	
01	01	02	02	50493	F/N 4 WAS 62 SMT	WJR 6-15-80	2-6-80	
A	A	A	A	13471-72	RELEASED CLASS A		7/26/80	
A	B	B	B	14082	REVISED PER ECO	NJW 7-14-80	7/14/80	
C	C	C	C	14353	REVISED PER ECO	M.D. 12/80	12-23-80	
D	D	D	D	14531	REVISED PER ECO	WJG 3-2-81	3/3/81	
E	E	E	E	14640	INACTIVE SERVICE USE ONLY REPLACED BY 61409138	EE	7/13/81	

INACTIVE

NOTES:  
 1. Pull tie raps taut. The tie rap at the connector should be inserted through the hole at edge of connector.  
 2. Drain wire of cable is soldered to pin 1 of J9 as close to cable insulation as possible. Other end of drain wire should be clipped off at insulation.  
 3. BULK IDENTIFY WITH CDC PART NUMBER.

APL 61408810  
DETACHED LISTS



CONTROL DATA					CODE IDENT	SHEET	WL	DOCUMENT NO.	REV
					15920	3		61408810	E
CONDUCTOR IDENT.	FIND NO.	GAUGE (REF.)	COLOR (REF.)	LENGTH (APPROX)	ORIGIN	ACCESS FIND NO.	DESTINATION	ACCESS FIND NO.	REMARKS
1	3	24	9	7	P8	2	P9	7	+15V
2	3	24	9	7	P8	3	P9	1	} TWP 15V Return
3	3	24	9	7	P8	4	P9	6	
4	8	24	0	24	P8	6	R1	1	} TWP Ground
5	8	24	2	24	P8	1	R1	3	
6	3	24	9	7	P8	5	P9	9	Vert Sync
7	8	24	0	20	R1	1	P9	10	} TWP Ground
8	8	24	9	20	R1	2	P9	8	
9	8	24	-	18	△		△		Drain Wire
10	9	20	5	9			P9	10	Frame Ground
							P9	10	Diode, Pos.
							P9	8	Diode, Neg.

AA3183 REV. 8/71

PRINTED IN U.S.A.

BUILD ARC 104

## ASSEMBLY PARTS LIST

DIV		ASSEMBLY NUMBER	CD	REV.	DWG.	DESCRIPTION	MC	STATUS	STATUS DATE	ENG. RESP.	FILE DATE		
0860		61408810	2	E	A	REPLACED BY 61409138 14640	A	INA	06-30-81	CC628A	07-07-81		
FIND NO.	U	PART NUMBER	CD	QTY	U/M	PART DESCRIPTION	MC	YLD	ECO. NO. IN	ECO. NO. OUT	S/N	WK IN	WK OUT
001	01	38905301	8	1		PC CONN, 10 PIN PWB MTG GOLD	P						
002	01	51906003	2	1		PC CONN, 6 SKT PLUG FIG 2 NYLON	P						
003	01	24548310	2	500	FT	WIR 24GA STRD WHT 300V UL PVC	W						
004	01	51906207	9	6		PC CONT, SKT 24-18GA .100I T STR	P						
006	01	94277400	1	3		PC STRAP, CBL TIE TYP 1 TO 5/8	B						
007	01	51940820	7	1		PC RES VAR 500 OHM 20P	P						
008	01	51918527	6	2	250	FT CBL, SHLD FIG-2 2/TWP 300V UL	P						
009	01	15003405	6	750	FT	WIR 20GA STRD GRN 300V UL PVC	W		14353			8047	
010	01	51797219	6	1		PC LUG, NO.10 CRMP-R 22-18AWG	B		14353			8047	
011	01	95637304	7	1		PC DIO IN4004 400PIV SIL 1.1V/1A	P		14353			8047	
						0010 TOTAL LINES							

DWN	W. Glaser	6/81	CONTROL DATA	TITLE	PREFIX	DOCUMENT NO.	REV.
CHKD	D. [unclear]	6/81		CBL ASSY CRT/BRIGHTNESS	A	61409138	B
ENG	[unclear]	6/81		FIRST USED ON	NHA	90446159	SHEET 1 OF 3
MFG	[unclear]	6/81	CODE IDENT	CC628			
APPR	[unclear]	6/81	15920				

SHEET REVISION STATUS				REVISION RECORD						
3	2	1	REV	ECO	DESCRIPTION	DRFT	DATE	APP		
	A	A	A	13487-75	RELEASED CLASS A		4/30/81	MCT		
	B	B	B	14941	REVISED PER ECO	EE	11/18/82			
	B	B	B	9401-80	ADDED INT-DIV LABEL		12-22-82	GB		

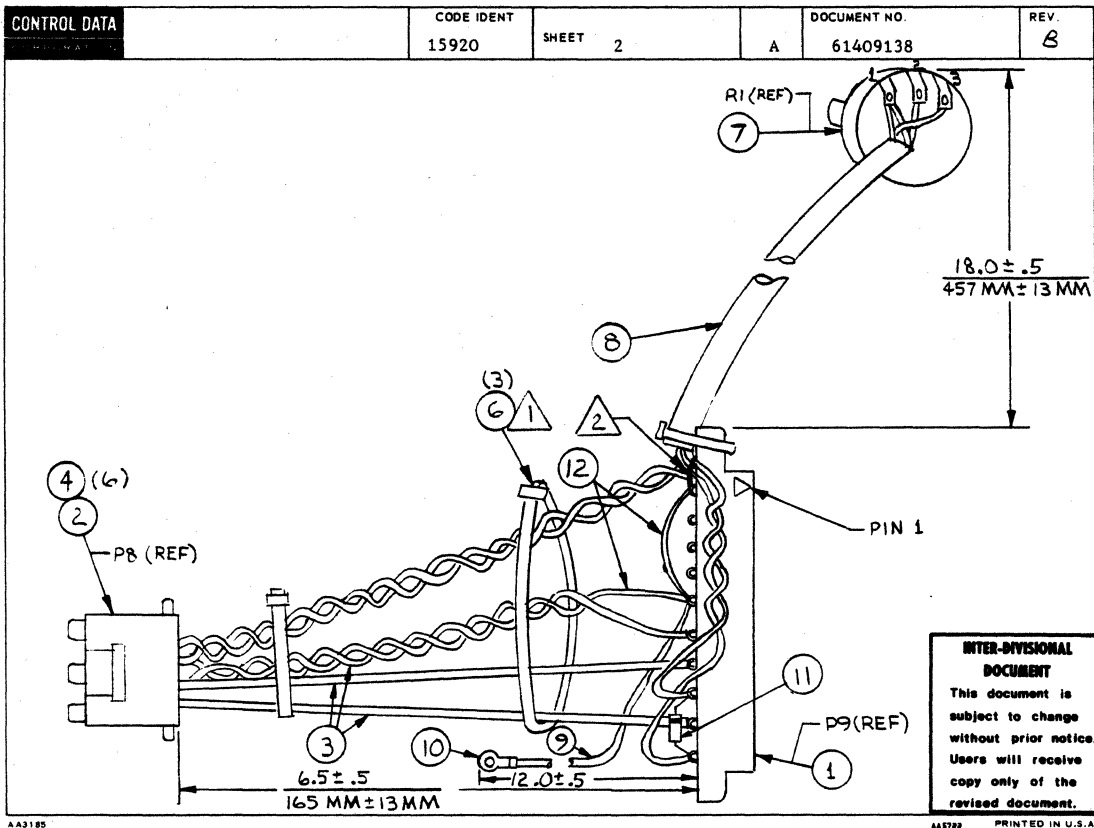
  

NOTES:

- 1 Pull tie raps taut. The tie rap at the connector should be inserted through the hole at edge of connector.
- 2 Drain wire of cable is soldered to pin 1 of J9 as close to cable insulation as possible. Other end of drain wire should be clipped off at insulation.
- 3 BULK IDENTIFY WITH CDC PART NUMBER.

APL 61409138  
DETACHED LISTS

PRINTED IN U.S.A.



CONTROL DATA					CODE IDENT	SHEET	WL	DOCUMENT NO.	REV.
CORPORATION					15920	3		61409138	8
CONDUCTOR IDENT.	FIND NO.	GAUGE (REF.)	COLOR (REF.)	LENGTH (APPROX)	ORIGIN	ACCESS FIND NO.	DESTINATION	ACCESS FIND NO.	REMARKS
1	3	24	9	7	P8	2	P9	7	+15V
2	12	24	0	7	P8	3	P9	5	} TWP 15V Return
3	3	24	9	7	P8	4	P9	6	
4	8	24	0	24	P8	6	R1	1	} TWP Ground
5	8	24	2	24	P8	1	R1	3	
6	3	24	9	7	P8	5	P9	9	Vert Sync
7	8	24	0	20	R1	1	P9	10	} TWP Ground
8	8	24	9	20	R1	2	P9	8	
9	8	24	-	18	△		△		Drain Wire
10	9	20	5	12			P9	5	Frame Ground
							P9	10	Diode, Pos.
							P9	8	Diode, Neg.
11	12	24	0	1.25	P9	1	P9	5	15V Return/Frame

AA3103 REV. 8/71

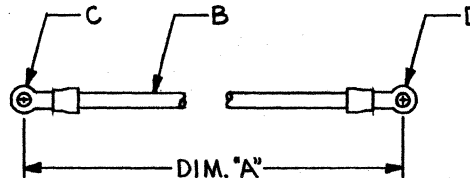
PRINTED IN U.S.A.

BUILD ARC 104										ASSEMBLY PARTS LIST										PRINT DATE	PAGE	FILE CHANGE NO.
																				12-10-81	1	9401-80
																				12-22-82		
DIV.	ASSEMBLY NUMBER	CD	REV.	DWG.	DESCRIPTION					MC	STATUS	STATUS DATE	ENG. RESP.	FILE DATE								
0860	61409138	7	B	A	CBL ASSY CRT/BRIGHTNESS					A	REL	06-30-81		12-10-81								
TRND NO	LI	PART NUMBER	CD	QTY	U/M	PART DESCRIPTION				MC	YLD	ECO. NO. IN	ECO. NO. OUT	S/N	WK IN	WK OUT						
001	01	38905301	8	1		PC CONN, 10 PIN PWB MTG GOLD				P												
002	01	51906003	2	1		PC CONN, 6 SKT PLUG FIG 2 NYLON				P												
003	01	2454831	2	2	750	FT WIR 24GA STRD WHT 300V UL PVC				W		14941	14941		8215	8215						
003	02	2454831	2	2		FT WIR 24GA STRD WHT 300V UL PVC				W												
004	01	51906207	9	6		PC CONT, SKT 24-18GA .100I T STM				P												
006	01	94277400	1	3		PC STRAP, CBL TIE TYP 1 TO 5/8				B												
007	01	51940820	7	1		PC RES VAR 500 OHM 20P				P												
008	01	51918527	6	2	250	FT CBL, SHLD FIG-2 2/TWP 300V UL				P												
009	01	15003405	6	1		FT WIR 20GA STRD GRN 300V UL PVC				W												
010	01	51797219	6	1		PC LUG, NO.18 CRMP-R 22-18AWG				B												
011	01	95637304	7	1		PC DIO IN4004 400PIV SIL 1.1V/1A				P												
012	01	24548301	1	1	850	FT WIR 24GA STRD BLK 300V UL PVC				W		14941			8215							
0012 TOTAL LINES																						

2-50

62940004

PART NO.	DIM. A	B (WIRE)		C (LUG)		D (LUG)	
		F/N	ANG	F/N	STUD SIZE	F/N	STUD SIZE
61391100	20.0±.5	1	18	2	3/8	3	*8/*10
01	2.5±.5	1	18	2	*8/*10	3	*6
02	21.0±.5	1	N/A	2	*10	3	*1/4
03	14.0±.5	1	18	2	*8/*10	2	*8/*10
04	4.5±.5	1	16	2	8,9,10	2	8,9,10
05	7.5±.5	1	16	2	8,9,10	2	8,9,10
06	9.5±.5	1	16	2	8,9,10	2	8,9,10
07	12.5±.5	1	16	2	8,9,10	2	8,9,10
08	5.0±.5	1	20	2	*6	3	SOCKET
09	4.0±.5	1	18	2	*6	2	*6
10	4.5±.5	1	16	2	8,9,10	2	*4
11	3.0±.5	1	20	2	*6	3	SOCKET
12	18.0±.5	1	16	2	*6	3	FASTON RECEPTACLE
13	6.0±.5	1	14	2	*8,9,10	—	—
14	21.0±.5	1	16	2	*8,9,10	3	6
15	24.0±.5	1	18	2	*10	3	*8
16	5.5±.5	1	16	2	8,9,10	2	8,9,10
17	5.5±.5	1	N/A	2	10	2	10
18	10.0±.5	1	16	2	*8,9,10	3	QUICK CONNECT
19	7.5±.5	1	16	2	8,9,10	2	8,9,10
20	5.5±.5	1	16	2	10	3	FLAT LUG
21	18.0±.5	1	18	2	3/8	3	8,9,10



SHEET REVISION STATUS		REVISION RECORD					
REV	ECO	DESCRIPTION	DRFT.	DATE	CHKD	APP	
		RELEASED CLASS C		4/16		J24	
01	C237	ADDED TABS 01 & 02	R	1-7-75	R	J25	
02	C276	ADDED TAB 03	R	1-20-75	R	J25	
A	10653-7	RELEASED CLASS A	—	5-14-76	—	TRCT	
A	7701-14	ADD INT DIV LABEL	—	7/2/79	—	RCT	
B	109335	ADD TABS 04 THRU 07	MD	1-7-76	R	J24	
C	0011189	TAB 03 DIM A WAS 2.0±.5	ES	1/25/76	R	J25	
D	0011226	ADD TAB 08	WJG	3/2/76	R	J24	
E	0011442	ADDED TAB 09	R	4/2/76	R	J25	
F	0011761	P/L CHANGE ONLY	ES	10/1/76	R	J25	
G	0011821	ADDED TAB 10	ES	1/16/76	R	J24	
H	0011958	ADDED TAB 11	ES	7/16/76	R	J24	
J	0011987	ADDED TAB 12	WJG	7-21-77	DCN	J25	
K	13459	ADDED TAB 13	WJG	4-14-79	WJG	J25	
L	13459	ADDED TAB 14	WJG	5-4-79	WJG	J25	
M	13473	DIM "A" TAB 15 WAS 4.5	R	5-27-79	R	J24	
N	13514	ADD TAB 15	WJG	6-1-79	WJG	J25	
P	13564	ADD TAB 15 ON TAB 15	WJG	7-2-79	WJG	J25	
R	13639	REVISED PER ECO	WJG	8-17-79	WJG	J25	
S	13654	APL CHANGE TAB 13 1/2"	WJG	8-29-79	WJG	J25	
T	13757	ADD P/N 61391117	WCA	11-24-79	WJG	J25	
U	13820	APL CHANGE ONLY	R	2-6-79	R	J25	
V	13948	ADDED 61391118	WJG	2/15/80	WJG	J25	
W	14124	ADD TAB 19	MD	6-10-80	WJG	J25	
Y	14147	ADDED TAB 20	WJG	7-14-80	WJG	J25	
Z	14239	APL CHANGE ONLY	DS	8-15-80	WJG	J25	
AA	14284	ADD TAB 21	WJG	9-26-80	WJG	J25	

NOTES:

1. BULK IDENTIFY WITH CDC PART NO. AND REVISION LETTER.

**STANDARD DOCUMENT**  
 This document is subject to change without prior notice. Users will receive copy only of the revised document.

DETACHED LISTS APL 61391121 THRU APL 61391100	UNLESS OTHERWISE SPECIFIED DIMENSIONS ARE IN INCHES TOLERANCES		TITLE <b>GROUND WIRE ASSY</b>	
	3 PLACE ± / ± / ± /	2 PLACE ± / ± / ± /	ANGLES ± / ± / ± /	FIRST USED ON <b>CC114A</b>
DO NOT SCALE DRAWING		OWN <b>DAK</b>	5-6-75	CODE IDENT <b>15920</b>
MATERIAL	ENGR <b>REAROCK</b>	CHKD <b>[Signature]</b>	3/1/75	DRAWING NO <b>61391100 THRU 61391199</b>
FINISH	MFG <b>[Signature]</b>	APPR <b>[Signature]</b>	5/1/75	SCALE <b>NONE</b>
		SHEET / OF /		



BUILD ARC 104

**ASSEMBLY PARTS LIST**

PRINT DATE	PAGE	FILE CHANGE NO.
09-18-80	1	00014284

DIV.	ASSEMBLY NUMBER	CD	REV.	DWG.	DESCRIPTION	MC	STATUS	STATUS DATE	ENG. RESP.	FILE DATE			
0860	61391104	9	AA	C	GND WIRE ASSY (4.5IN 16AWG)	A	REL	05-14-75	CC114A	09-18-80			
TRFIND NO	LI	PART NUMBER	CD	QUANTITY	U/M	PART DESCRIPTION	MC	YLD	ECO. NO. IN	ECO. NO. OUT	S/N	WK IN	WK OUT
001	02	52810015	9	375	FT	WIR 16GA STRD GRN 600V UL PVC	W		11761			7648	
002	01	51797236	1	2		PC LUG, NO.10 CRMP-R 16-14AWG	B						
0002 TOTAL LINES													

BUILD ARC 104

**ASSEMBLY PARTS LIST**

PRINT DATE	PAGE	FILE CHANGE NO.
09-18-80	1	00014284

DIV.	ASSEMBLY NUMBER	CD	REV.	DWG.	DESCRIPTION	MC	STATUS	STATUS DATE	ENG. RESP.	FILE DATE			
0860	61391118	9	AA	C	GND WIRE ASSY (10.0IN 16AWG)	A	REL	05-14-75	CC114A	09-18-80			
TRFIND NO	LI	PART NUMBER	CD	QUANTITY	U/M	PART DESCRIPTION	MC	YLD	ECO. NO. IN	ECO. NO. OUT	S/N	WK IN	WK OUT
001	01	52810015	9	833	FT	WIR 16GA STRD GRN 600V UL PVC	W						
002	01	51797236	1	1		PC LUG, NO.10 CRMP-R 16-14AWG	B						
003	01	95643232	2	1		PC LUG, Q-CONN 16-14AWG FIG 5	P						
0003 TOTAL LINES													



BUILD ARC 104

# ASSEMBLY PARTS LIST

PRINT DATE	PAGE	FILE CHANGE NO.
09-18-80	1	00014284

DIV.		ASSEMBLY NUMBER	CD	REV.	DWG.	DESCRIPTION		MC	STATUS	STATUS DATE	ENG. RESP.	FILE DATE		
0860		61391120	5	AA	C	GND WIRE ASSY		A	REL	05-14-75		09-18-80		
TRFIND NO	LI	PART NUMBER	CD	IN	QUANTITY	U/M	PART DESCRIPTION	MC	YLD	ECO. NO. IN	ECO. NO. OUT	S/N	WK IN	WK OUT
001	01	52810021	7		625	FT	WIR 16GA STRD GRN/YEL 600V	W						
002	01	51797236	0		2		PC LUG, NO.10 CRMP-R 16-14AWG	B		14147	14147		8025	8025
002	02	51797236	0		1		PC LUG, NO.10 CRMP-R 16-14AWG	B		14147	14147		8025	8028
003	01	51890102	0		1		PC TERMINAL RING INT TOOTH	P		14147			8025	
0004 TOTAL LINES														

DWN	W. Glaser	12/75	CONTROL DATA	TITLE	PREFIX	DOCUMENT NO.	REV
CHKD	W. Glaser	2-14-79	DESCRIPTION	WIRE ASSY. CB/PWR SW	A	61408875	C
ENG	A.P. Jones	12-14-79	FIRST USED ON		NHA		
MFG	29 2-1	3-11-80	CODE IDENT	CC628	61408539	SHEET	1 OF 2
APPR	E. H. Lee	3-12-80					

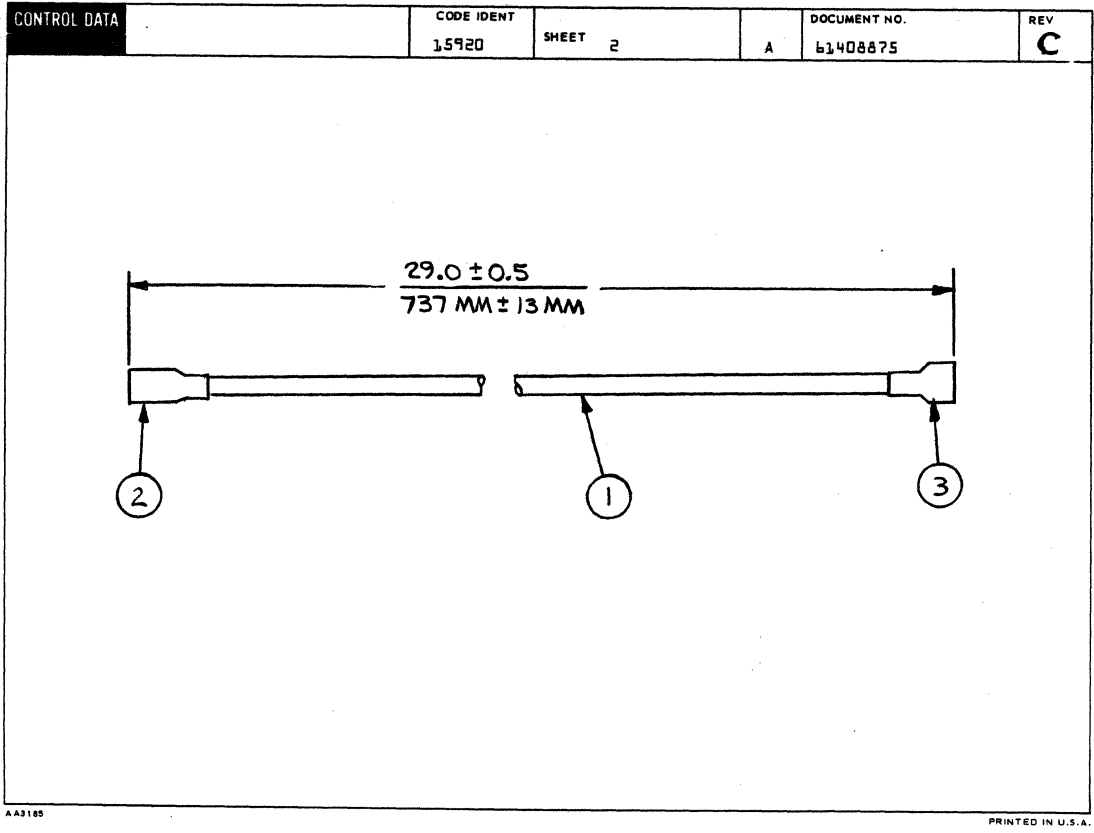
  

SHEET REVISION STATUS				REVISION RECORD						
2	1	REV	ECO	DESCRIPTION	DRFT	DATE	APP			
-	00	01	50957	RELEASED CLASS B		12/17/75				
	01	01	50957	ADD PAGE 2	WJG 1-17-80	1-18-80				
	02	02	50993	CABLE LENGTH WAS 22. IN.	WJG 2/5/80	1-6-80				
	A	A	1347-72	RELEASED CLASS "A"		3/24/80				
	B	B	14104	REVISED PER ECO	WJH	7/1/80				
	C	C	14241	REVISED PER ECO	WJH	9/15/81				

NOTES:  
1. Bulk identify with CDC part number.

APL	61408875
DETACHED LISTS	

PRINTED IN U.S.A.



BUILD ARC 104

### ASSEMBLY PARTS LIST

DIV.		ASSEMBLY NUMBER		CD	REV.	DWG.	DESCRIPTION		MC	STATUS	PRINT DATE	PAGE	FILE CHANGE NO.		
0860		61408875		5	C	A	WIRE ASSY CB/PWR SW		A	REL	08-25-80	1	00014241		
TRFIND NO	LI	PART NUMBER	CD	IN	QUANTITY	U/M	PART DESCRIPTION		MC	VLD	ECO. NO. IN	ECO. NO. OUT	S/N	WK IN	WK OUT
001	01	52810001	9		2		FT	WIR 18GA STRD BRN 600V UL PVC W				14241		14241	8034
001	02	52810001	9		2	500	FT	WIR 18GA STRD BRN 600V UL PVC W							8034
002	01	95643231	4		1		PC	LUG, Q-CONN 22-18AWG FIG 5		P				14104	8024
002	02	95643249	6		1		PC	LUG, Q-CONN 22-18AWG FIG 5		P	14104				8024
003	01	95643234	8		1		PC	LUG, Q-CONN 22-18AWG FIG 5		P					
0005 TOTAL LINES															

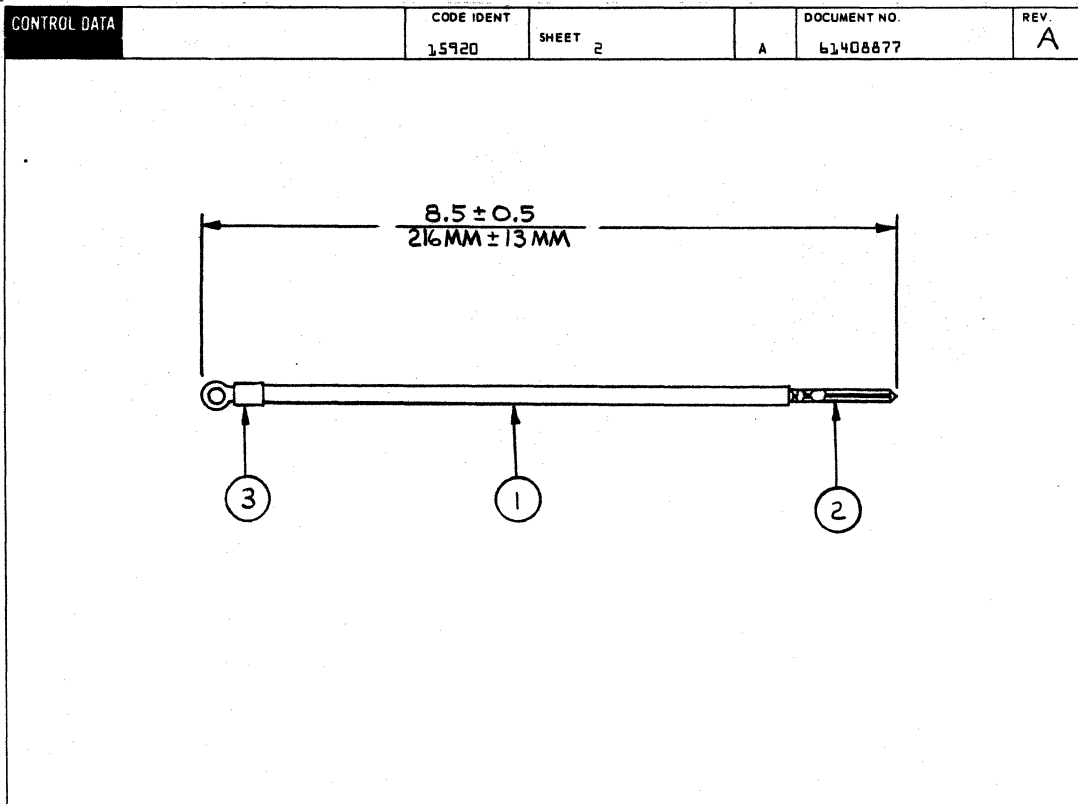
DWN	W. Glaser	12/75	CONTROL DATA	TITLE	PREF. DOCUMENT NO.	REV.
CHKD	W. Glaser	12-14-79	WIRE ASSY. PWR RECP/GND	A	61408877	A
ENG	R. L. Hall	3-11-82	CODE IDENT	FIRST USED ON	NHA	SHEET 1 OF 2
MFG	E. H. Hall	3-12-82	15920	CCh28	61408539	
APPR						

SHEET REVISION STATUS										REVISION RECORD			
REV	ECO	DESCRIPTION	DRFT	DATE	APP								
-	00	00 5004-111	/	12/17/79	[Signature]								
01	01	01 50957	WJG	1-18-80	[Signature]								
A	A	A 13471-72	/	3/24/80	[Signature]								

NOTES:  
1 Bulk identify with CJC part number.

APL 61408877  
DETACHED LISTS



BUILD ARC 194

### ASSEMBLY PARTS LIST

PRINT DATE	PAGE	FILE CHANGE NO.
04-02-80	1	13471-72

DIV.		ASSEMBLY NUMBER	CD	REV.	DWG.	DESCRIPTION			MC	STATUS	STATUS DATE	ENG. RESP.	FILE DATE			
0860		61408877	1	A	A	WIRE ASSY PWR RECPT/GHD			A	REL	03-26-80	CC628A	04-02-80			
TP	FIND NO.	LI	PART NUMBER	CD	IN	QUANTITY	U/M	PART DESCRIPTION		MC	YLD	ECO. NO. IN	ECO. NO. OUT	S/N	WK IN	WK OUT
	001	01	52810005	0		750	FT	WIR 18GA STRD GRN 600V UL PVC		W						
	002	01	44674036	7		1		PC CONN PWR RECPT		P						
	003	01	51797219	6		1		PC LUG, NO.10 CRMP-R 22-18AWG		B						
								0003 TOTAL LINES								

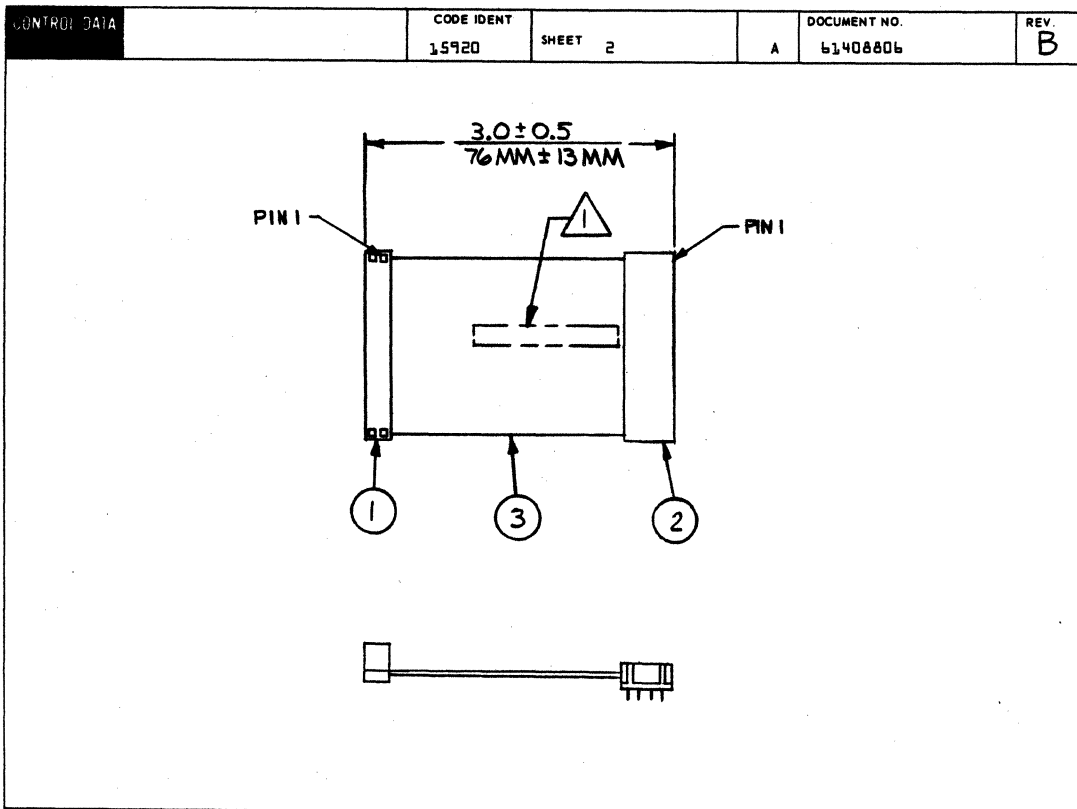
DWN	W. Glaser	1-2-79	CONTROL DATA	TITLE	PREFIX	DOCUMENT NO.	REV.
CHKD	W. Glaser	12-14-79	REGISTRATION	CABLE ASSY KYBD	A	61408806	B
ENG	A. P. ...	10-11-79		FIRST USED ON	NHA		
MFG	P. ...	7-11-80	CODE IDENT	CC628	90446159	SHEET	1 OF 2
APPR	E. H. ...	8-12-80	15920				

SHEET REVISION STATUS				REVISION RECORD						
2	1	REV	ECO	DESCRIPTION	DRFT	DATE	APP			
-	00	00	5000441	RELEASED CLASS B		1/1/80				
01	01	01	50957	ADD SMT 2	WSB	1-17-80				
02	02	02	50993	ADD SIDE VIEW PG 2	WSB	2/3/80				
A	A	A	1347172	RELEASED CLASS A		3/24/80				
B	B	B	14082	REVISED PER ECO	WJH	7/14/80				

NOTES:  
 ⚠ Mark with CDC part number per CDC Spec 10121508.

APL 61408806  
DETACHED LISTS



AA3185

PRINTED IN U.S.A.



BUILD ARC 104

# ASSEMBLY PARTS LIST

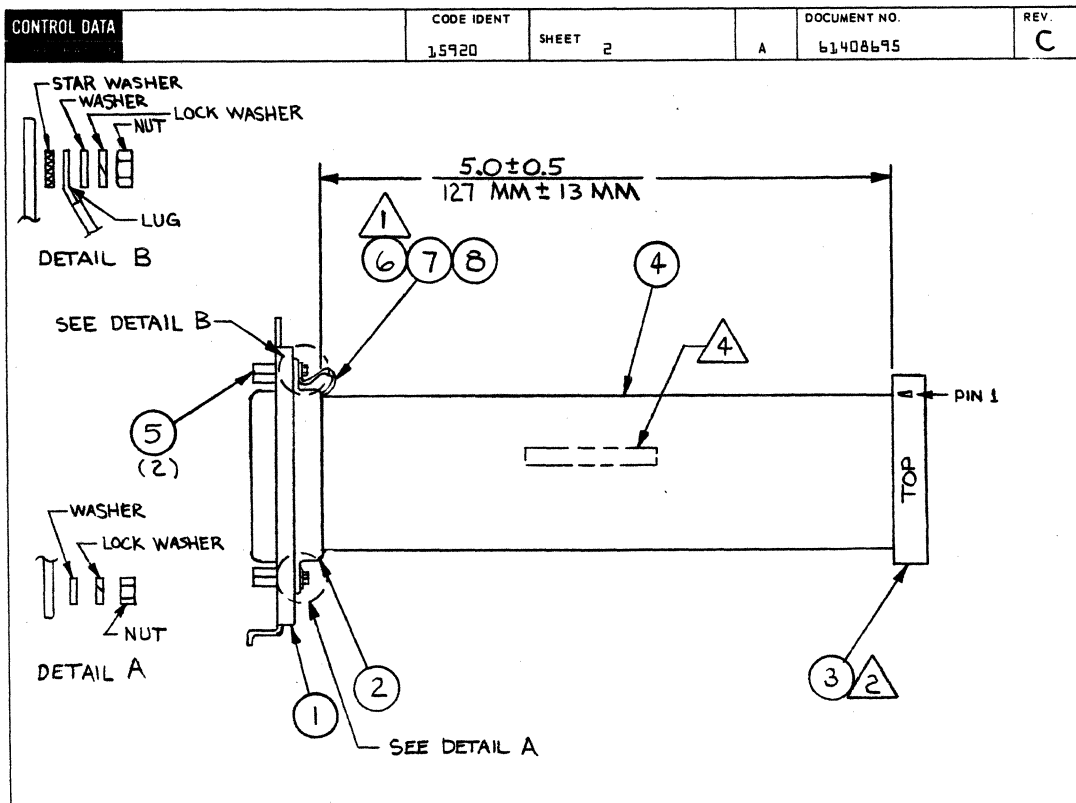
PRINT DATE	PAGE	FILE CHANGE NO.
07-08-80	1	00014082

DIV.	ASSEMBLY NUMBER	CD	REV.	DWG.	DESCRIPTION	MC	STATUS	STATUS DATE	ENG. RESP.	FILE DATE			
0860	61408806	2	B	A	CABLE ASSY KYBD	G	REL	03-26-80	CC628A	07-08-80			
ITEM NO.	LI	PART NUMBER	CD	QUANTITY	U/M	PART DESCRIPTION	MC	YLD	ECO. NO. IN	ECO. NO. OUT	S/N	WK IN	WK OUT
001	01	65853405	2	1		PC CONN 20 CONT F/CBL 28-30AWG	P						
002	01	75810340	2	1		PC CONN, PC 20CONT FLAT CBL SKT	P						
003	01	65832210	2	333	FT	CBL, FLAT 20 CNDCT 28AWG PVC	P						
0003 TOTAL LINES													

DWN	W. Glaser	2/28/80	CONTROL DATA	TITLE	PREFIX	DOCUMENT NO.	REV.				
CHKD	W. Glaser	12-14-79		CABLE ASSY, I/O ENTRY	A	61408695	D				
ENG	W. Glaser	12-14-79		FIRST USED ON							
MFG	W. Glaser	3-11-80			NHA						
APPR	W. Glaser	3-12-80	CODE IDENT	CC628	15632119	SHEET	1 OF 2				
SHEET REVISION STATUS				REVISION RECORD							
				2	1	REV	ECO	DESCRIPTION	DRFT	DATE	APP
				-	00	00	50004.41	RELEASED CLASS B		12-21-79	WJG
				01	01	01	50957	ADD PAGE 2	WJG	1-17-80	1-18-80 KRC
				A	A	A	13471-72	RELEASED CLASS A		3-26-80	WJG
				A	B	B	14029	CHANGE F/N 1	DS	4-25-80	WJG
				C	C	C	14082	REVISED PER ECO	WJG	7-14-80	WJG
				C	D	D	14294	APL CHANGE ONLY	WJG	10-7-80	10-7-80 WJG
NOTES: ⚠ Wire placement at Pin 1. Termination F/N 7. ⚠ Center cable leaving Pins 1 and 24 open. ⚠ Mark with CDC Part Number Per CDC Spec. 10121508.											
										APL 61408695	
										DETACHED LISTS	

AA3180 REV. 8/71

PRINTED IN U.S.A.



AA3185

PRINTED IN U.S.A.

### ASSEMBLY PARTS LIST

PRINT DATE	PAGE	FILE CHANGE NO.
10-01-80	1	00014294

DIV.		ASSEMBLY NUMBER	CD	REV.	DWG.	DESCRIPTION	MC	STATUS	STATUS DATE	ENG. RESP.	FILE DATE		
0860		61408695	7	D	A	CABLE ASSY I/O ENTRY	G	REL	03-26-80	CC628A	10-01-80		
T/FIND NO.	LI	PART NUMBER	CD	QTY	U/M	PART DESCRIPTION	MC	YLD	ECO. NO. IN	ECO. NO. OUT	S/N	WK IN	WK OUT
001	01	71493123	S	1		PC PLATE I/O CONN MTG 9 PIN	P			14029		8016	8016
001	02	71493125	J	1		PC PLATE IO CONN MTG 25 PIN	P		14029			8016	8016
002	01	51916924	7	1		PC CONN, 25PIN FIG 1 FEMALE CONT	P			14082	14082	8027	8027
002	02	76673907	2	1		PC CONN 25 PIN SOCKET	P		14082	14294		8027	8035
002	03	10129663	0	1		PC CONN RECP RIBBON CABLE	P		14294			8035	8035
003	01	65776902	2	1		PC CONN, 26PIN FIG 3 PCB-FLT CBL	P						
004	01	65832214	4		750	FT CBL,FLAT 24 CONDCT 28AWG PVC	P						
005	01	94288024	6	2		PC LKG DEVICE, CONN TYP 4 W/TYP3	P						
006	01	18563100	9		250	FT WIR 26GA TWP STRD BLK 300V UL W	W						
007	01	93541002	7	1		PC LUG, AMB I/R 26-20GA 4-6SS S	B						
008	01	10126400	0	1		PC WSMR, NO.4 EXT/T LK STL ZP	B						
0011 TOTAL LINES													

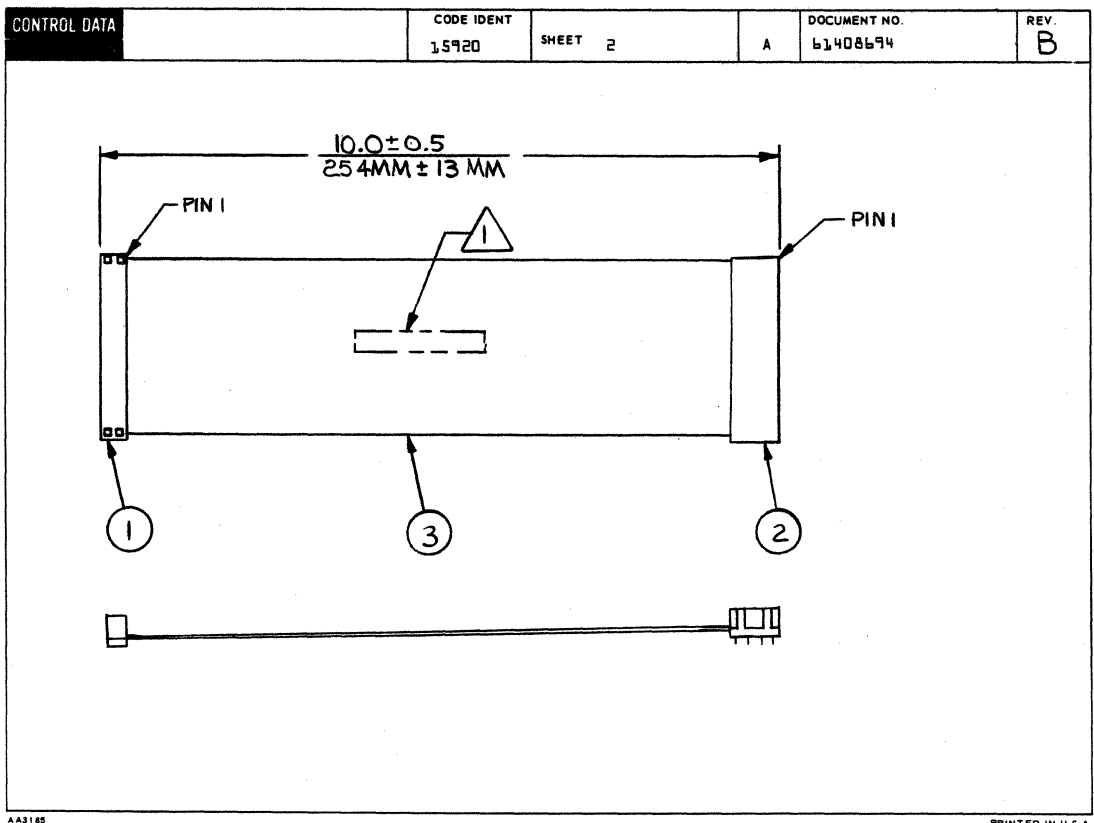
DWN	M. Glaser	12/75	CONTROL DATA	TITLE	PREFIX	DOCUMENT NO.	REV.				
CHKD	W. J. (unclear)	12-11-79	CORPORATION	CABLE ASSY SW PNL (TTY)	A	61408694	B				
ENG	A. C. (unclear)	12-14-75	FIRST USED ON		NHA						
MFG	S. N. (unclear)	3-11-80	CC628								
APPR	S. N. (unclear)	3-12-80	CODE IDENT		90446156	SHEET	1 OF 2				
SHEET REVISION STATUS				REVISION RECORD							
				2	1	REV	ECO	DESCRIPTION	DRFT	DATE	APP
				-	00	00	5004-41	RELEASED CLASS B		7/1/79	
				01	01	01	50957	ADD PAGE 2	WJG 1-17-80	1-19-80	
				02	02	02	50993	PG 2 ADD VIEW	WJG 2/17/80	2/6/80	
				A	A	A	1347-72	RELEASED CLASS A		3/24/80	
				B	B	B	14082	REVISED PER ECO	WJG 7-14-80	7/14/80	

NOTES:  
 ⚠ Mark with CDC part number per CDC Spec 10121508.

APL 61408694  
 DETACHED LISTS

AA3186 REV. 7-71

PRINTED IN U.S.A.



AA3186

PRINTED IN U.S.A.

BUILD ARC 104

### ASSEMBLY PARTS LIST

DIV.		ASSEMBLY NUMBER		REV.	DWG.	DESCRIPTION		MC	STATUS	PRINT DATE	PAGE	FILE CHANGE NO.		
0860		61408694		0	B A	CABLE ASSY SW PNL (TTY)		G	REL	07-08-80	1	0001082		
T FIND NO		LI	PART NUMBER	CD	QTY	U/M	PART DESCRIPTION	MC	YLD	ECO. NO. IN	ECO. NO. OUT	S/N	WK IN	WK OUT
001	01		65853405	2	1		PC CONN 20 CONT F/CBL 28-30AWG		P					
002	01		75810340	2	1		PC CONN, PC 20CONT FLAT CBL SKT		P					
003	01		65832210	2	833	FT	CBL, FLAT 20 CNDOCT 28AWG PVC		P					
							0003 TOTAL LINES							



# COMMENT SHEET

MANUAL TITLE: 722-10 Display Terminal Hardware  
Maintenance Manual (Support Information)

PUBLICATION NO.: 62940004

REVISION: P

NAME: \_\_\_\_\_

COMPANY: \_\_\_\_\_

STREET ADDRESS: \_\_\_\_\_

CITY: \_\_\_\_\_ STATE: \_\_\_\_\_ ZIP CODE: \_\_\_\_\_

This form is not intended to be used as an order blank. Control Data Corporation welcomes your evaluation of this manual. Please indicate any errors, suggested additions or deletions, or general comments below (please include page number references).

Please Reply

No Reply Necessary

CUT ALONG LINE

REV. 5/86 PRINTED IN U.S.A.

NO POSTAGE STAMP NECESSARY IF MAILED IN U.S.A.

FOLD ON DOTTED LINES AND TAPE

FOLD

FOLD



**BUSINESS REPLY MAIL**  
FIRST CLASS PERMIT NO. 8241 MINNEAPOLIS, MN

POSTAGE WILL BE PAID BY ADDRESSEE

NO POSTAGE  
NECESSARY  
IF MAILED  
IN THE  
UNITED STATES



**GD CONTROL DATA**

Technology and Publications Division  
ARH219  
4201 North Lexington Avenue  
Saint Paul, MN 55126-6198

CUT ALONG LINE

FOLD

FOLD