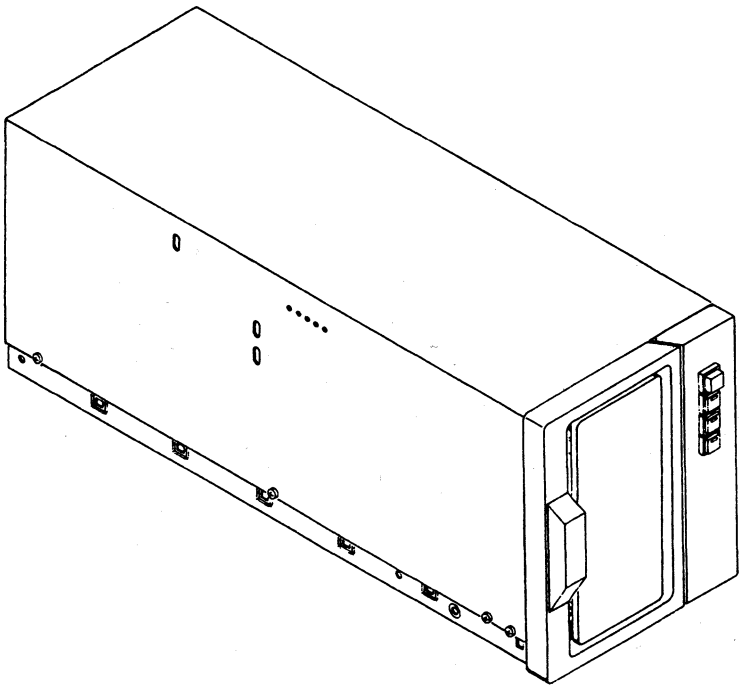


GD CONTROL DATA

A Guide for the Disk Drive Operator



RSD's

REVISION RECORD

REVISION	DESCRIPTION
A (2-8-83) B (12-8-86)	Original Release Revised with new information about storing data packs. Shows newer operator panel with Unit Selected indicator.
PUBLICATION NO. 83324660	

©1983, 86
by Control Data Corporation©

Printed in the United States of America

Address comments concerning this manual to:

Control Data Corporation
Twin Cities Disk Division
Customer Documentation Dept.
5950 Clearwater Drive
Minnetonka, MN 55343

CONTENTS

INTRODUCTION	1
GETTING TO KNOW YOUR DRIVE	2
PROPER DRIVE ENVIRONMENT	4
DATA PACK CARE AND HANDLING	8
DRIVE CARE AND HANDLING	12
CONTROLS AND INDICATORS	14
DATA PACK INSTALLATION AND REMOVAL	16
Introduction	16
Data Pack Installation	16
Data Pack Removal	17
DRIVE POWER ON AND POWER OFF	18
Introduction	18
Power On	18
Power Off	19
PROBLEMS TO LOOK FOR	20

INTRODUCTION

Your disk drive is shipped with a manual covering operation and installation of the drive. That manual, and others that can be ordered, are written primarily for the customer engineers who service the drive. This booklet is intended for you, the disk drive operator. After reading it, you will know how to operate the drive correctly. Also, you will be aware of what you can do to keep the drive and its data packs functioning properly. With a little TLC (tender loving care), they will serve you well.

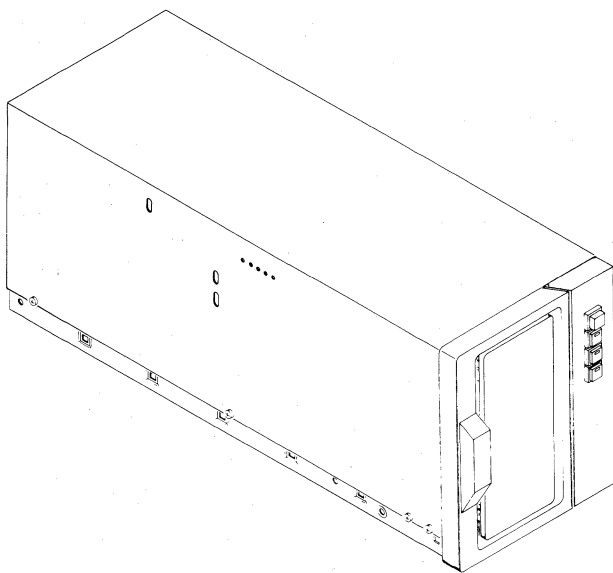


WARNING

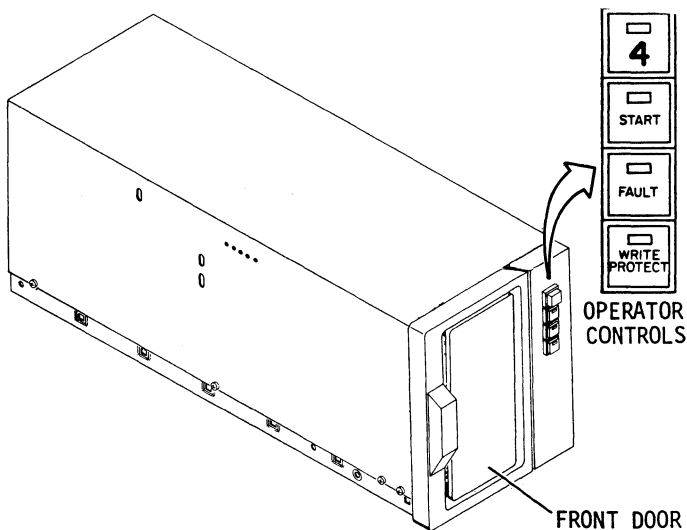
This equipment generates, uses and can radiate radio frequency energy and if not installed and used in accordance with the instructions manual, may cause interference to radio communications. It has been tested and found to comply with the limits for a Class A computing device pursuant to Subpart J of Part 15 of the FCC Rules which are designed to provide reasonable protection against such interference when operated in a commercial environment. Operation of this equipment in a residential area is likely to cause interference in which case the user, at his own expense, will be required to take whatever measures may be required to correct the interference.

GETTING TO KNOW YOUR DRIVE

As you read this section, it will acquaint you with features of your Removable Storage Drive (RSD). These drives are designed to store data on removable data packs. The data packs contain magnetic disks. In normal operation, a motor in the drive rotates the disks, and recording heads, which move over the disk surfaces, transfer data to and from the disks. Your RSD resembles the drive in the following picture:



Use this section as a guide in locating essential parts of your disk drive. First, find the operator control panel (on the upper righthand part of the front panel).



The operator control panel contains the controls and indicators used to operate the drive. The individual parts on the operator control panel are discussed in detail in the "Controls and Indicators" section.

The front door, located to the left of the operator control panel, provides access for installing and removing the data pack. The drive is equipped with safety devices which lock the front door when the disks are rotating or when the drive is not receiving power. Once the front door has been opened, a data pack is installed by sliding it into the pack receiver and closing the door. Detailed information about pack installation is given in the "Data Pack Installation and Removal" section.

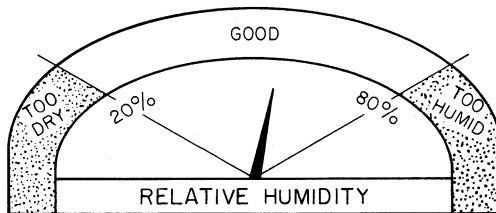
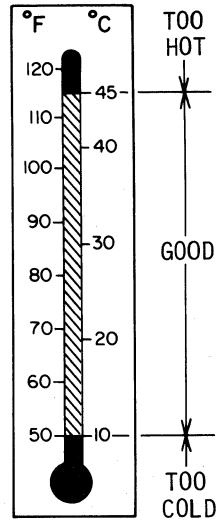
In normal operation, the drive does not need to be extended out of its position in the equipment rack. In those situations where drive extension is necessary, ask your supervisor for assistance in extending the drive. There are no circumstances where an operator should remove the top cover or change any cabling on the rear panel. Any maintenance activities in these areas require the attention of a trained customer engineer (CE).

PROPER DRIVE ENVIRONMENT

This section discusses the proper environment for the disk drive and common sense rules to be observed in the vicinity of the drive. By putting these instructions into practice, you can guarantee increased operating life and reliability for your drive. The guidelines pertaining to temperature and relative humidity apply to electronic equipment in general. The other guidelines reflect the importance of keeping the area around the drive clean.

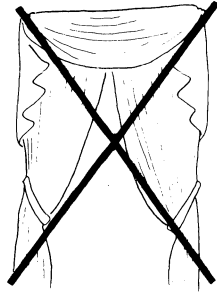
During operation, room temperature and its rate of change are both important. The drive will operate in a range of 10°C to 45°C (50°F to 114°F). The room temperature should not change more than 10°C (18°F) per hour.

Relative humidity should be kept between 20% and 80%. High relative humidity is a problem because it can cause condensation in the drive. Very low relative humidity should also be avoided because it can lead to particle attraction and accumulation by static electricity.

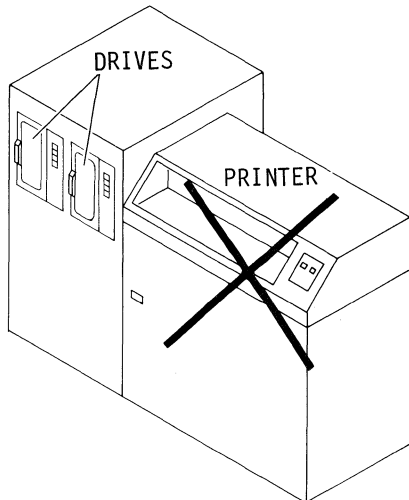


Lint, dust, smoke, and other dirt particles are enemies of disk drive operation. However, with proper planning and discipline, you can reduce their threat to the drive. The following paragraphs offer solutions to basic contamination problems.

Carpeting and drapes, while esthetically pleasing, are to be avoided if at all possible. They not only produce lint but also collect all kinds of dirt. Eliminate them if you can - otherwise, ensure that they are the antistatic variety and vacuum them frequently. Tile floors are preferable; if you have them, damp mop them regularly.



Another aspect of proper environment is where the drive is located within the computer center. For one thing, it should be installed in a low-traffic area. High-traffic areas have problems such as people stirring up dust or bumping into the drive. Also, it should not be located



near air conditioners, printers, card punches, or paper tape punches. Particles of dirt, ink, carbon, and paper, generated by these machines, are hazardous to disk drives.

Food and beverages should not be consumed near disk drives. If they are spilled in the drive, the cleanup could require costly downtime.

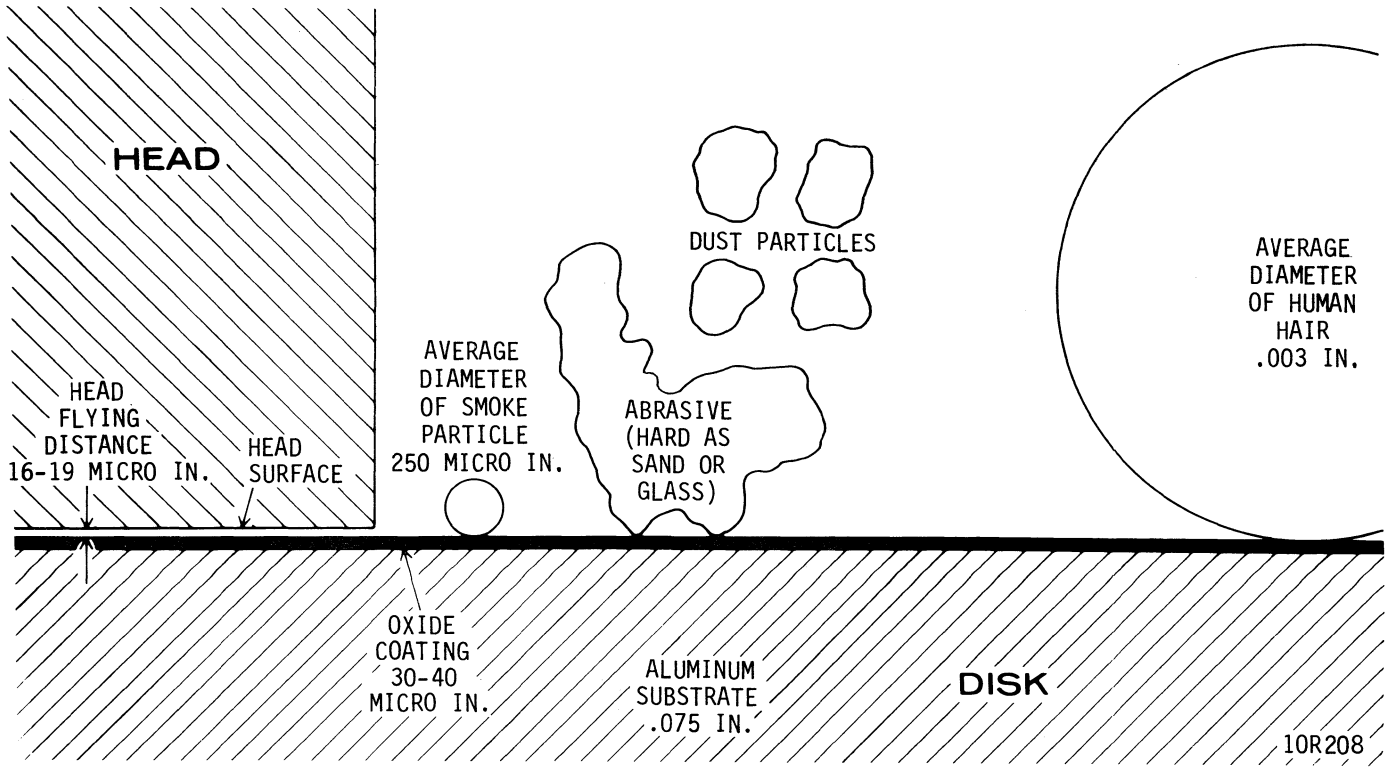
NO



Last but not least is the problem of smoking. Smoke particles are approximately thirteen times larger than the distance between a disk and a head flying over it. Furthermore, since

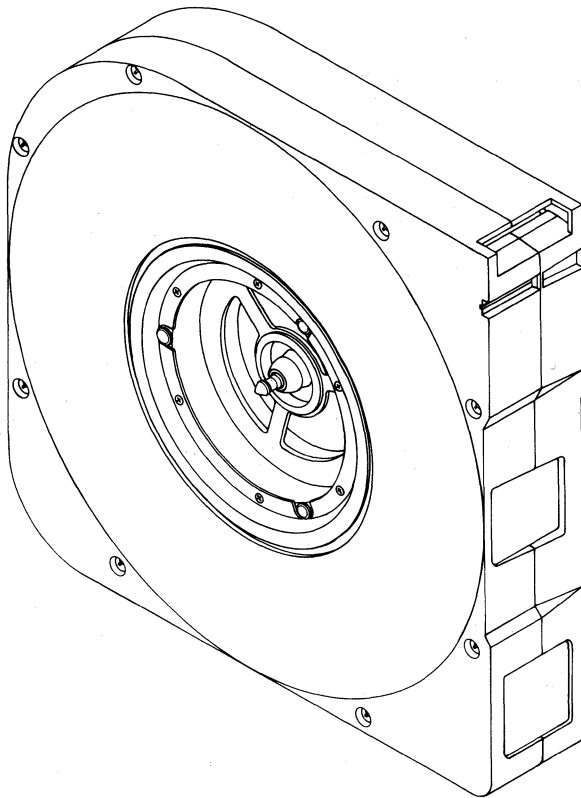
smoke particles are very sticky, they clog the drive's absolute filter rapidly. Prohibit smoking in the area around the drive.

The following illustration emphasizes the importance of eliminating dust, smoke, and other contaminants in the drive's environment. Notice that all of these contaminants are considerably larger than the head flying distance.



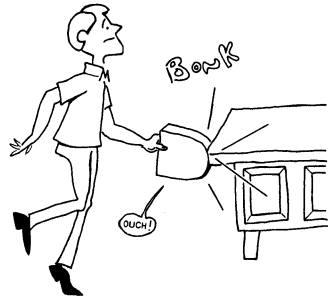
DATA PACK CARE AND HANDLING

Data packs are manufactured with great precision to ensure that their surfaces are extremely flat and smooth. This precision is maintained when the data packs are stored and handled in accordance with the following guidelines. The guidelines presented below fall into two categories. Certain precautions are aimed at cleanliness; in ordinary use, contamination of the data packs is minimized when these measures are followed. Other instructions relate to handling the data packs in such a way that their mechanical precision is maintained. Refer to "Data Pack Installation and Removal" for the correct procedures for installing and removing data packs.

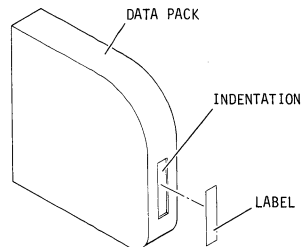


The data pack consists of magnetic disks which are mounted on a hub and housed in a sealed plastic case. When the pack is installed in the drive, two ports open automatically to allow the heads to enter and to allow clean air to circulate through the pack. Although the case shields the disks from contaminants in the surrounding air, you should use common sense in storing and handling the packs so that they remain clean.

The case protects the disks inside from contamination but not from physical abuse. If, during handling, the data pack is dropped or banged against another object, it is necessary to inspect the data pack for bent disks. Ask your pack sales representative to perform this inspection. Failure to do this could result in serious damage to the drive.



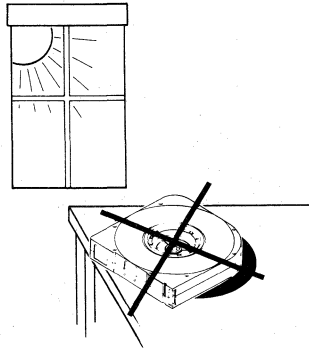
In labelling data packs, write on a label with a pen or felt tip marker that does not produce any residue. Do not use a lead or grease pencil. Then attach the label to the plastic case of the pack in the indentation provided. If the label is attached to other surfaces of the case, it could be scraped off during pack installation or it could interfere with functioning of the pack. After removing a label, use isopropyl alcohol to remove any remaining adhesive residue on the case before attaching a new label. Adhesive left on the case can contaminate both the pack and the drive.



Proper storage is an important part of data pack care. We recommend that you store packs either in file drawers or on shelves. In either case, place the packs on edge and restrain them so they can't slide or tip over. If you choose to store the packs flat, do not stack them. The problem with stacking the packs is that one pack could slide off the others and damage its disks. When storing the data packs flat, make sure that the hub cavity faces down to keep the parts inside the hub cavity clean.

Ideally, the storage area for the data packs should be located in the computer-room environment and should be kept free of lint and dust. If the storage area is located in a different room, allow the pack to adjust to the computer room temperature for one hour before using it. Packs transported during extreme winter or summer conditions should be given more time to adjust to room temperature. Refer questions about this time interval to your pack sales representative.

Make sure that storage areas are never in direct sunlight or in the vicinity of high magnetic fields. Direct sunlight causes unnecessary heating of the pack. Magnetic fields can alter the data written on the data pack; the fields are high in regions near electrical equipment such as motors, transformers, and bus bars.



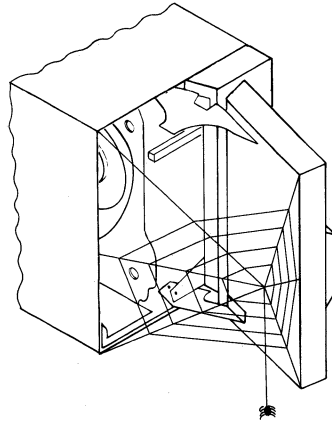
Finally, some considerations apply to shipping and receiving packs. If a new pack arrives in a damaged shipping carton, inspect the pack for bent disks before using it. The pack sales representative will assist you in obtaining this inspection. Allow a new pack one hour to adjust to the temperature of the computer room. Also, it is a good idea to save data pack shipping cartons; if you ever need to ship a data pack, it is recommended that you use the original shipping materials.

By following the guidelines for data pack care and handling provided in this section, you will minimize problems with your packs.

DRIVE CARE AND HANDLING

Taking care of a disk drive is a team effort involving both the operators and the customer engineers. As an operator, you contribute to drive care by operating it correctly and notifying the customer engineer immediately when problems occur. Also, it is important that you keep the drive clean, especially the area around the front door.

Do not leave the front door open longer than necessary when installing or removing a data pack. The front door contains the inlet filter for cooling air that circulates through the drive. Leaving the door open allows unfiltered air to enter the drive.

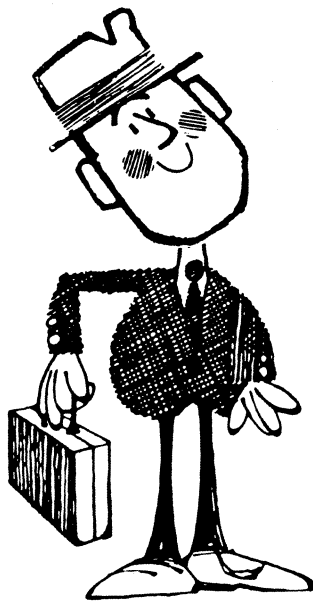


At many sites, it is the operator's responsibility to check and (if necessary) to replace the inlet air filter on the drive. Ask your supervisor to show you where this procedure is described in the hardware maintenance manual supplied with the drive.

It is a good idea to leave a data pack installed in the drive in periods when the drive is not being used. The pack provides a seal for certain areas in the drive that should remain dust-free.

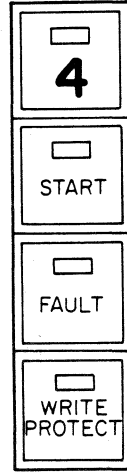
Inform the customer engineer immediately if you see any dirt in the pack receiver (visible when the front door is open). The customer engineer is responsible for performing any corrective maintenance on the drive. Part of this responsibility includes cleaning the internal surfaces of the drive. Unauthorized personnel should not attempt to clean the drive; to be effective, the job should be done with the proper procedure and materials.

CALL
ME
ANYTIME!

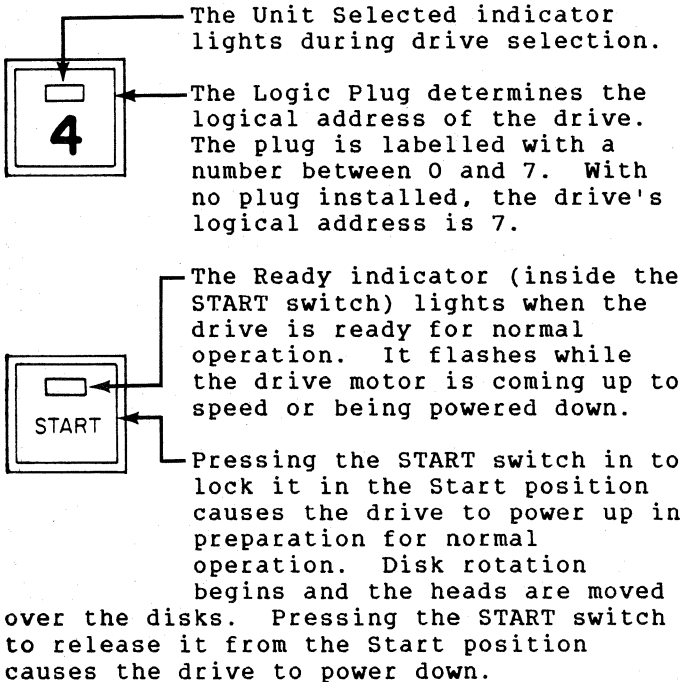


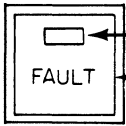
CONTROLS AND INDICATORS

This section contains instructions on the operator control panel. The switches on the panel are used by the operator to turn the drive on and off, to clear fault conditions in the drive, and to prevent the drive from writing on the data pack. The Logic Plug, which is inserted in an opening in the panel, identifies the drive in an installation having more than one drive. Finally, the indicator lights on the panel show whether the drive is selected, whether it is in a ready or fault condition, or whether its write function has been disabled.



The operator control panel is shown to the right. A description of each switch and indicator follows:





The FAULT indicator lights when something is wrong with the drive.

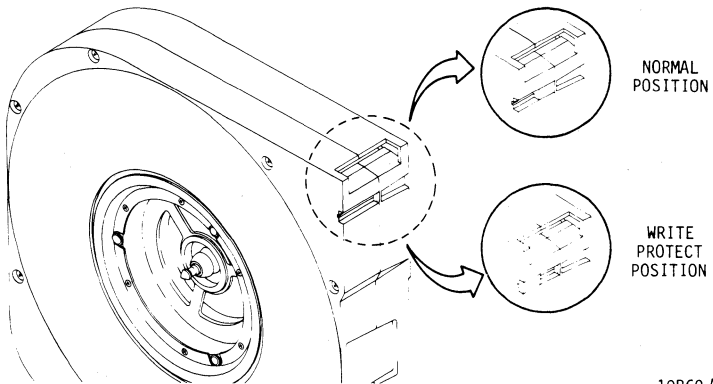
Pressing the Fault Clear switch turns off the FAULT indicator if the drive problem is no longer present. If you cannot turn off the FAULT indicator, call a customer engineer.



The WRITE PROTECT indicator indicates that the drive is in the write protect mode. In the write protect mode the drive cannot write data.

Pressing the WRITE PROTECT switch places the drive in the write protect mode and turns on the WRITE PROTECT indicator. Pressing the switch again restores the drive's data-writing capability and turns off the WRITE PROTECT indicator.

Individual data packs may be write-protected by means of the write protect tab located on the edge of the pack. The tab positions are shown below. Always check with your supervisor before moving a tab out of the write protect position. Another operator may have decided that the data on that pack should be protected from further write operations.



10R60 A

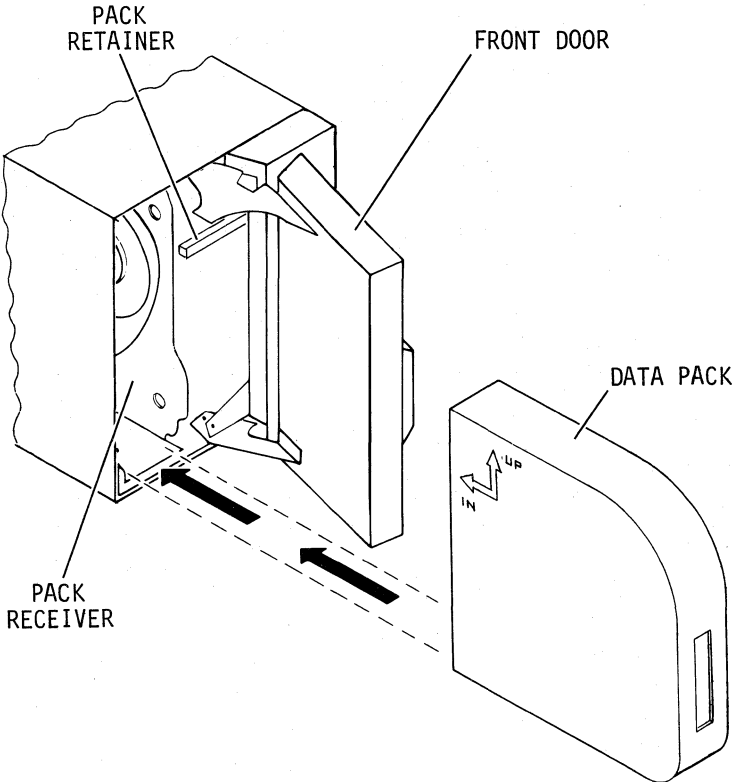
DATA PACK INSTALLATION AND REMOVAL

Introduction

Proper handling of data packs is an essential part of operating your disk drive. The set of data packs at your computer site is like a library; at times, you will need to change packs in the drive to make different information available to the computer.

Data Pack Installation

The disk drive will not operate until a data pack has been installed. This installation consists of placing the START switch in the off position, opening the front door, sliding the pack into the pack receiver, and closing the front door. To do this, perform the following steps:



1. Press the START switch if the Ready indicator is on and wait until the Ready indicator stops flashing.
2. Pull the door handle to open the front door. If front door will not open, ask your supervisor to check that the circuit breaker for the power supply is on.
3. Position the data pack according to arrows on the pack housing prior to inserting it into the drive.
4. Slide the data pack into the pack receiver. Observe that the pack retainer secures the data pack when it is fully inserted into the pack receiver.
5. Close the front door.

Data Pack Removal

Data pack removal consists of placing the START switch in the off position, opening the front door, releasing the pack from the pack receiver, and closing the front door. To do this, perform the following steps:

1. Press the START switch if the Ready indicator is on and wait until the Ready indicator stops flashing.
2. Pull the door handle to open the front door. If the front door will not open, ask your supervisor to check that the circuit breaker for the drive's power supply is on.
3. Observe that the pack retainer releases the data pack and that the data pack partially ejects when the door is opened fully.
4. Slide the data pack out of the pack receiver.
5. Close the front door. Refer to "Data Pack Care and Handling" for tips on storing the data pack.

DRIVE POWER ON AND POWER OFF

Introduction

This section contains instructions on how to start and stop your disk drive. It is necessary to stop the drive to change data packs. If the drive is not being used for an extended time, you may decide to turn it off.

The Power On procedure assumes that other units in the system including the controller and drive power supply are already receiving power. Furthermore, in some installations, the drive will not power up unless it receives a signal from the system. If you have problems when performing the Power On and Power Off procedures, refer to the section entitled "Problems to Look For."

Power On

Perform the following steps to power up the drive:

1. Ensure that a data pack is installed and that the front door is closed. The drive will not operate unless both conditions are met. Refer to "Data Pack Installation" if necessary.
2. Press the START switch to engage it in the Start position.
3. Observe that the Ready indicator (located in the START switch) flashes, indicating that power up is in progress. If not, the drive may be waiting for a signal from the system.
4. Observe that the Ready indicator lights steadily within 60 seconds, indicating that the drive is now ready for use by the system.
5. Ensure that the FAULT indicator is off.

Power Off

The drive must be powered down before a data pack can be removed. Perform the following steps to power down the drive:

1. Press the START switch to release it from the Start position.
2. Observe that the Ready indicator (located in the START switch) flashes, indicating that power down is in progress.
3. Observe that the Ready indicator goes off after 35 seconds, indicating that power down is complete.
4. If desired, remove the data pack according to directions in "Data Pack Installation and Removal."

PROBLEMS TO LOOK FOR

This section discusses how you, the operator, should be on the lookout for problems with your disk drive. Sometimes you can solve a problem yourself. If not, try calling your customer engineer (CE) on the phone to get directions on how to solve it. For a more serious problem, it will be necessary for the CE to make a service call. By approaching a problem in these three steps, you can often avoid an unnecessary service call.

Except for replacing the inlet air filter, which your supervisor may ask you to do, all maintenance on the drive should be performed by a trained CE. You should never remove the top cover from the drive or attempt any "do-it-yourself" repairs. If you call your CE about a drive problem, you may be asked to check the individual fault indicator lights located on the left side of the drive. In that case, ask your supervisor for assistance in extending the drive from the cabinet and in interpreting the indicators.

The following table lists the solutions to some common drive problems.

PROBLEM	WHAT TO DO
START/STOP	
<p>Drive is not receiving power. (WRITE PROTECT indicator stays off when WRITE PROTECT switch is pressed twice.)</p>	<ol style="list-style-type: none"> 1. Ask supervisor to ensure that power cable is connected to site power. 2. Ask supervisor to ensure that power supply for drive is turned on. 3. Call CE.
<p>Drive is receiving power but Ready indicator stays off after START switch is pressed.</p>	<ol style="list-style-type: none"> 1. Ask supervisor to ensure that controller is turned on. 2. Ask supervisor whether power up depends on the system furnishing a power up signal to drive. 3. Ensure that data pack is installed. 4. Ensure that front door is closed. 5. Call CE.
<p>Table Continued on Next Page</p>	

PROBLEM	WHAT TO DO
FAULT CONDITION	
FAULT light stays on after Fault Clear switch is pressed.	<ol style="list-style-type: none"> 1. Do not power down the drive before calling CE. 2. Call CE.
DATA PACK INSTALLATION	
Front door will not open.	<ol style="list-style-type: none"> 1. Ensure that Ready indicator is off. 2. Ask supervisor to check that power supply for drive is turned on. 3. Call CE.
Data pack does not slide into pack receiver completely.	<ol style="list-style-type: none"> 1. Ensure that pack is positioned according to arrows on pack. 2. Call CE.
Table Continued on Next Page	

PROBLEM	WHAT TO DO
DATA PACK	
Data pack has been dropped.	<ol style="list-style-type: none"> 1. Ask vendor to inspect data pack before you use it again.
Data pack has crack in plastic case.	<ol style="list-style-type: none"> 1. Replace data pack.
<p>A head crash may have occurred. Its symptoms are:</p> <ul style="list-style-type: none"> ● Screeching or pinging noise ● Burning odor ● High data error rate 	<ol style="list-style-type: none"> 1. Turn off drive immediately. 2. Do not put crashed pack in another drive. 3. Do not put a good pack in crashed drive. 4. Call CE.

