

Burroughs Corporation		WESTLAKE PLANT WESTLAKE VILLAGE, CALIF. 91360 U.S. AMERICA		PREP E LYNCH 12/16/76	PROJ E. L. Lynch + 3/2/77	A-2161 7139	REV E
CHKO E. Lynch		APPD E. Lynch		PAGE 1 OF 5			
PROPRIETARY TO BURROUGHS CORPORATION NOT TO BE REPRODUCED OR USED FOR MANUFACTURING PURPOSES EXCEPT ON BURROUGHS ORDER OR PRIOR WRITTEN CONSENT				TITLE FT AND R INDEX			
REV	CONTROL DOC & NO	DFTSMN	CHKO	APPD & DATE	PAGE	LINE OR Q	CLASS CODE
A	ER 62742	CCQ	83	11/11/77			4-0205
REVISION DESCRIPTION INITIAL RELEASE							

PAGE 2 of 5

## TABLE OF CONTENTS

PART NUMBER	REV.	DESCRIPTION	PAGE
2161 7139	A	T & F DOCUMENT INDEX	i-5
2857 1594	B	ASSY DRAWING TREE	6-7
2161 8251	B	SYSTEM BLOCK DIAGRAM	8-9
2161 9317	B	SYSTEM CABLING DIAGRAM	10
2161 9309	A	UNIT LOCATION CHART	11-16
2162 4226	E	LOGIC FLOW CHART	17-91
2161 8442	A	PLUGGABLE LOCATION CHART	92
2162 5470	B	SCHEM-A.C. POWER DISTRIBUTION	93
2162 0372	G	SCHEM-POWER SUPPLY	94
2161 9572	E	SCHEM-VOLTAGE REGULATOR	95
2857 2626	B	SCHEM-1/0 CARD	96-99
2162 3863	C	SCHEM-D.C. VOLTAGE MONITOR	100
2161 7204	F	SCHEM-SECTOR GENERATOR	101
2161 7287	F	SCHEM-DRIVE CONTROL 1	102-103
2857 2428	A	SCHEM-DRIVE CONTROL 11	104
2162 1834	F	SCHEM-DRIVE CONTROL 111	105
2161 7360	C	SCHEM-SERVO PREAMP	106-107
2857 2824	A	SCHEM COMPARE	108
2857 1842	D	SCHEM-PRESENT ADDRESS REGISTER	109
2161 7402	F	SCHEM-WRITE ENCODER	110-111
2162 3962	D	SCHEM-TIMING REC. UNIT	112
2162 4010	E	SCHEM-DATA DISCRIMINATOR	113
2161 7444	E	SCHEM-LPC CORRUPT	114

2162 4069	B	SCHEM-ECC GENERATOR	115
2162 0620	E	SCHEM-ECC TIMING	116-117
2857 3665	A	SCHEM-R/W MACHINE	118-119
2857 2576	C	SCHEM-PADDLE CARD I	120-121
2161 7493	D	SCHEM-PADDLE CARD II	122
2162 4150	B	SCHEM-PWR AMP MODULE	123
2161 7915	C	SCHEM-READ/WRITE AMP	124
2161 8194	D	SCHEM-WRITE DRIVER	125
2162 0968	E	SCHEM-XDCR AMP	126
2857 1354	C	SCHEM-SERVO AMP	127
2162 4101	B	SCHEM-INTERFACE BOARD	128-129
2161 7949	C	SCHEM-TEMP COMP	130
2161 8434	D	SCHEM-SWITCH PANEL	131
2162 8706	A	INTERFACE TIMING DIAGRAM	132-139

## PRINTED WIRING BOARD ASSEMBLIES

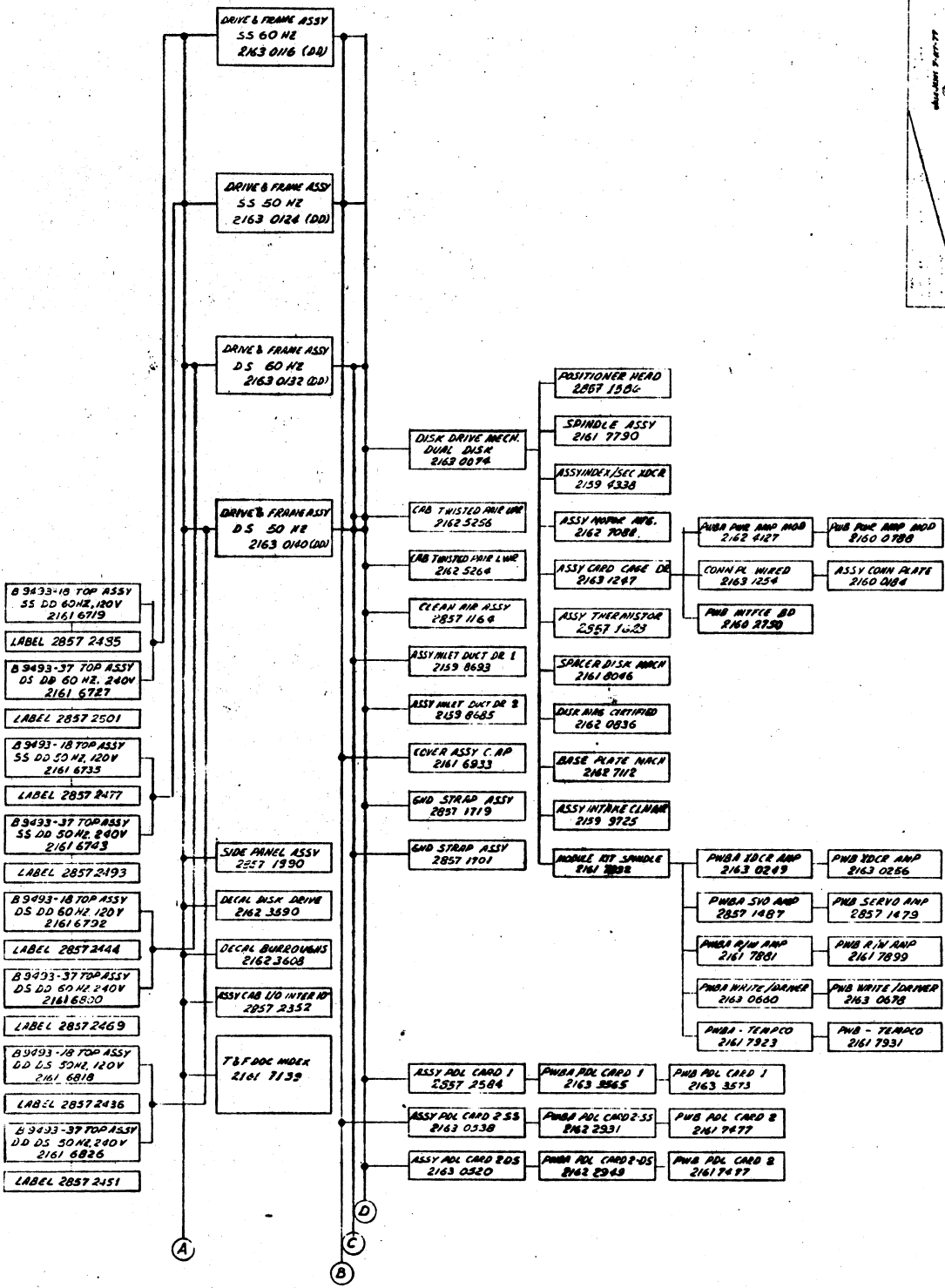
2161 7832	08	MOD KIT SPINDLE	140-141
2161 7881	05	READ/WRITE AMP PWBA	142-146
2163 0660	04	WRITE DRIVER PWBA	147-150
2163 0249	06	XDCR AMP PWBA	151-154
2857 1487	03	SERVO AMP PWBA	155-159
2160 2750	10	INTERFACE BD PWBA	160-161
2161 7923	05	TEMP COMP PWBA	162-165
2162 4127	07	POWER AMP MODULE PWBA	166-169
2162 7013	06	VOLTAGE REGULATOR PWBA	170-174
2857 3061	01	I/O MODULE PWBA SS	175-180
2857 2634	02	I/O MODULE PWBA DS	181-186

2163 1205	04	POWER SUPPLY PWBA	187-189
2161 7170	23	COMMON ELECTRONICS MOD KIT	190-192
2162 3830	05	D.C. VOLTAGE MONITOR PWBA	193-196
2857 2717	04	SECTOR GENERATOR PWBA	197-199
2857 2048	02	DRIVE CONTROL 1 PWBA	200-202
2857 2410	01	DRIVE CONTROL 11 PWBA	203-205
2162 1800	08	DRIVE CONTROL 111 PWBA	206-208
2161 7345	04	SERVO PREAMP PWBA	209-212
2857 1610	04	ADDRESS COMPARE PWBA	213-215
2857 1776	04	PRESENT ADDRESS REGISTER PWBA	216-218
2163 3532	05	WRITE ENCODER PWBA	219-221
2857 1685	05	TIMING RECOVERY UNIT PWBA	222-225
2163 2682	04	DATA DISCRIMINATOR PWBA	226-228
2163 1627	03	LPC CORRUPT PWBA	229-231
2857 1677	02	ECC GENERATOR PWBA	232-234
2857 1255	03	ECC TIMING PWBA	235-237
2857 3640	01	R/W MACHINE PWBA	238-240
2857 2584	02	PADDLE CARD 1 ASSY	241-242
2857 2527	03	PADDLE CARD 1 PWBA	243-244
2163 0538	03	PADDLE CARD 11 ASSY SS	245-246
2162 2931	05	PADDLE CARD 11 PWBA SS	247-248
2163 0520	03	PADDLE CARD 11 ASSY DS	249-250
2162 2949	05	PADDLE CARD 11 PWBA DS	251-252
OTHER ASSEMBLIES			
2162 8045	B	SWITCH PANEL ASSY	253-255
2163 0587	B	CIRCUIT LIST-SPINDLE CARD CAGE	256-257

2163 0595	B	WIRE LIST-SPINDLE CARD CAGE	258-260
2163 0603	B	PIN LIST-SPINDLE CARD CAGE	261-262
2163 0611	C	CIRCUIT LIST-COMMON ELECTRONIC MOD	263-269
2857 1818	A	CIRCUIT LIST-COMMON ELEC. MOD	270-276
2163 0629	C	WIRE LIST-COMMON ELEC. MOD	277-286
2857 1826	A	WIRE LIST-COMMON ELEC. MOD DS	287-296
2163 0637	C	PIN LIST-COMMON ELEC. MOD	297-303
2857 1834	A	PIN LIST-COMMON ELEC. MOD DS	304-310
2161 7691	A	HARN-REG BOARD TO LOWER DRIVE SS	311-312
2161 8293	A	WIRE LIST-REG BOARD TO LOWER DR SS	313-315
2161 7709	A	HARN-REG BOARD TO BOT DR DS	316-317
2161 8301	A	WIRE LIST-REG BOARD TO BOTH DR DS	318-320
2161 7824	B	HARN-MAIN FRAME	321-323
2161 8400	B	WIRE LIST-MAIN FRAME	324-326
2161 7675	B	HARN-SWITCH PANEL	327-328
2161 8426	B	WIRE LIST-SWITCH PANEL	329-331
2161 8244	A	HARN-PR SUPPLY TO REG BOARD	332-333
2162 2808	B	HARN-CEM BACKPLANE	334-335
2162 5272	B	CABLE-120V	336-337

2857 1594

REVISION  
 1. CHG. DR. 2857 1594  
 2. LOSSY 2857 1594  
 3. MIPAL RELEASE  
 4. 2857 1594  
 5. 2857 1594  
 6. 2857 1594  
 7. 2857 1594  
 8. 2857 1594

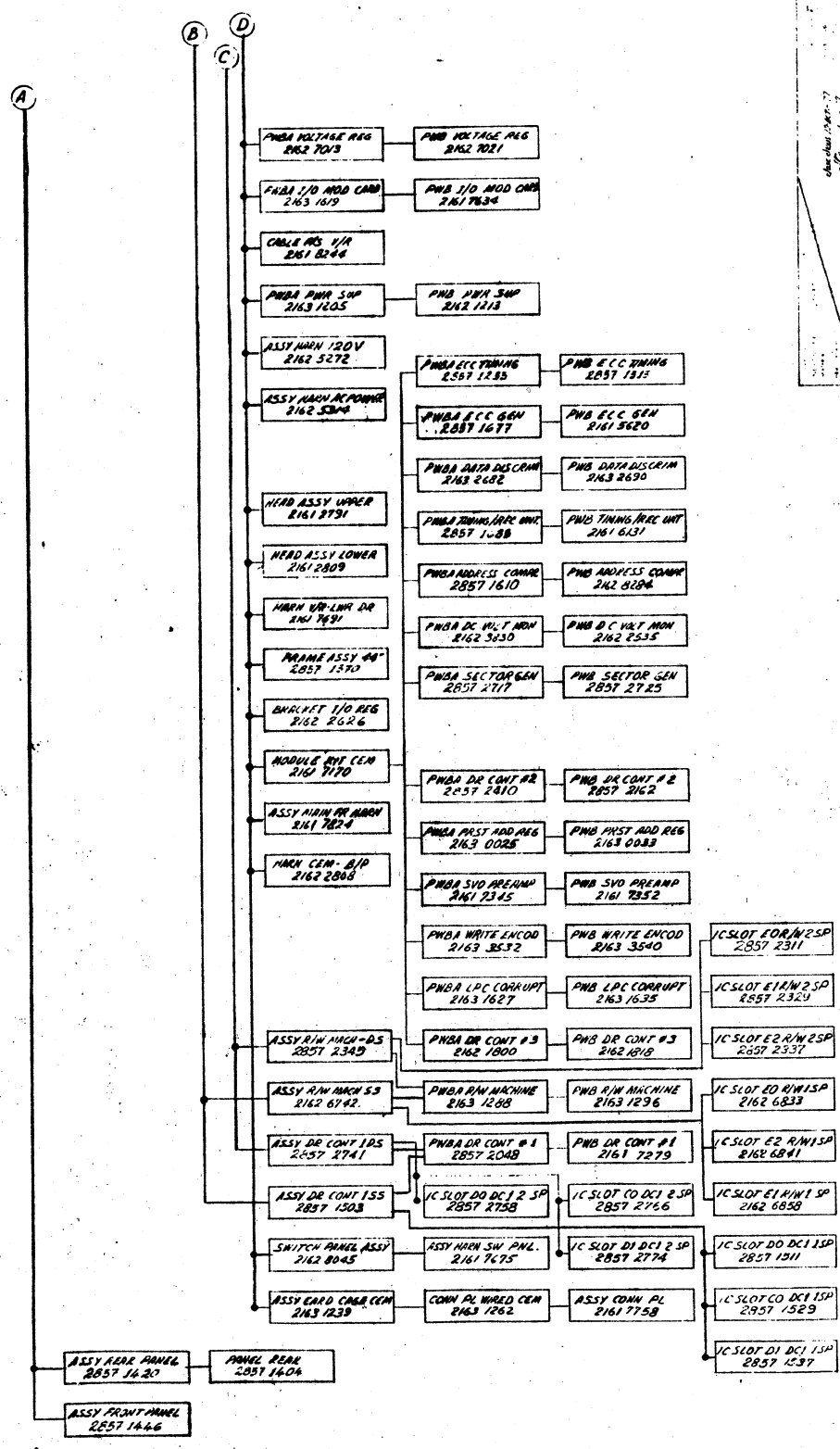


2857 1594  
 ASSY DRAWING TREE  
 17  
 2857 1594

2857 1594

REV. 1  
DATE: 10/10/68  
BY: [Signature]

ASSY DRAWING TREE  
MODULE 2 L 2857 1594







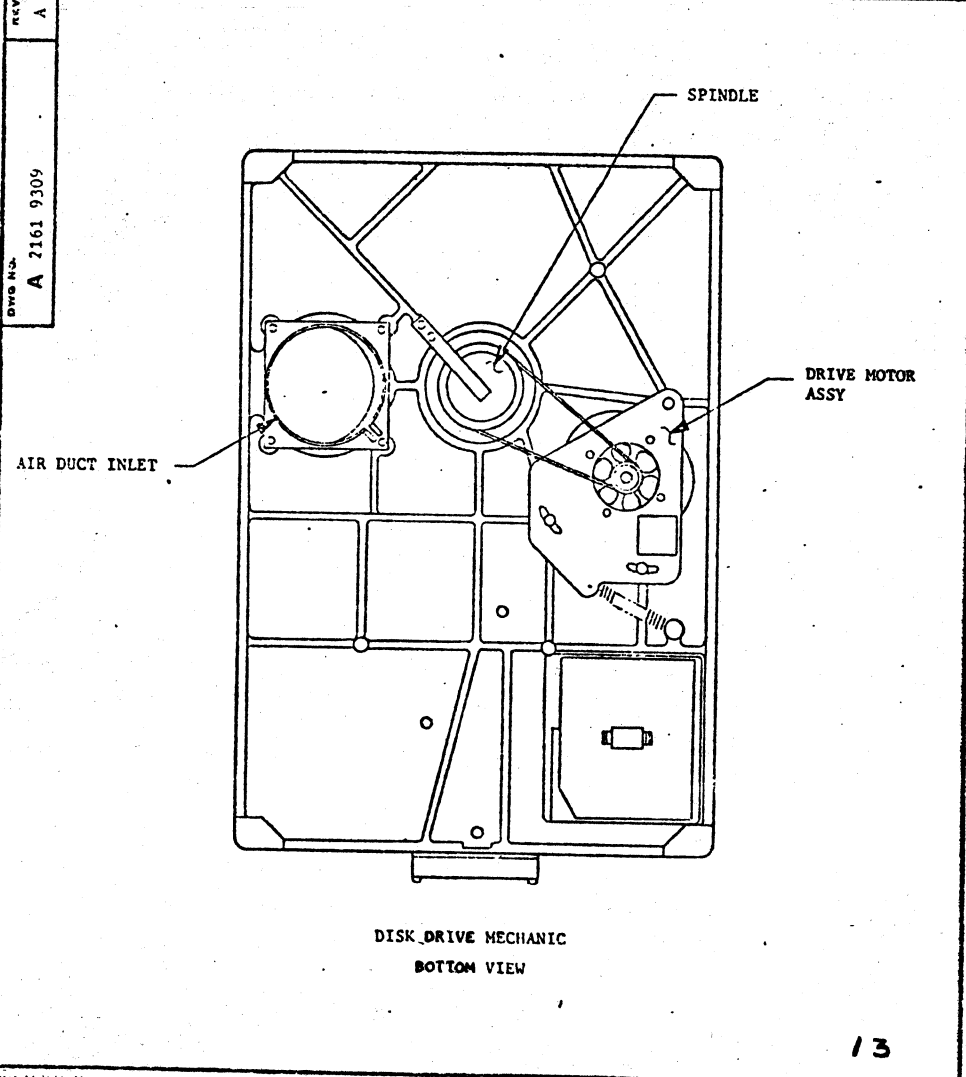




Burroughs Corporation		PREP <i>R. H. BROWN</i>	PROJ	A- 2161 9309	REV A	
DISK PACK PRODUCTS WESTLAKE PLANT WESTLAKE VILLAGE, CALIF. 91360 U.S. AMERICA		CHKD <i>C. E. J. ...</i>	APPD	PAGE 1 OF 6		
PROPRIETARY TO BURROUGHS CORPORATION. NOT TO BE REPRODUCED NOR USED FOR MANUFACTURING PURPOSES EXCEPT ON BURROUGHS ORDER OR PRIOR WRITTEN CONSENT.			TITLE UNIT LOCATION CHART			
REV	CONTROL DOC & NO	OPTSMN	CHKD	APPD & DATE	PAGE, LINE OR 1	CLASS CODE 4-0205
A	<i>OR 2741</i>	<i>2/4/58</i>				INITIAL ISSUE

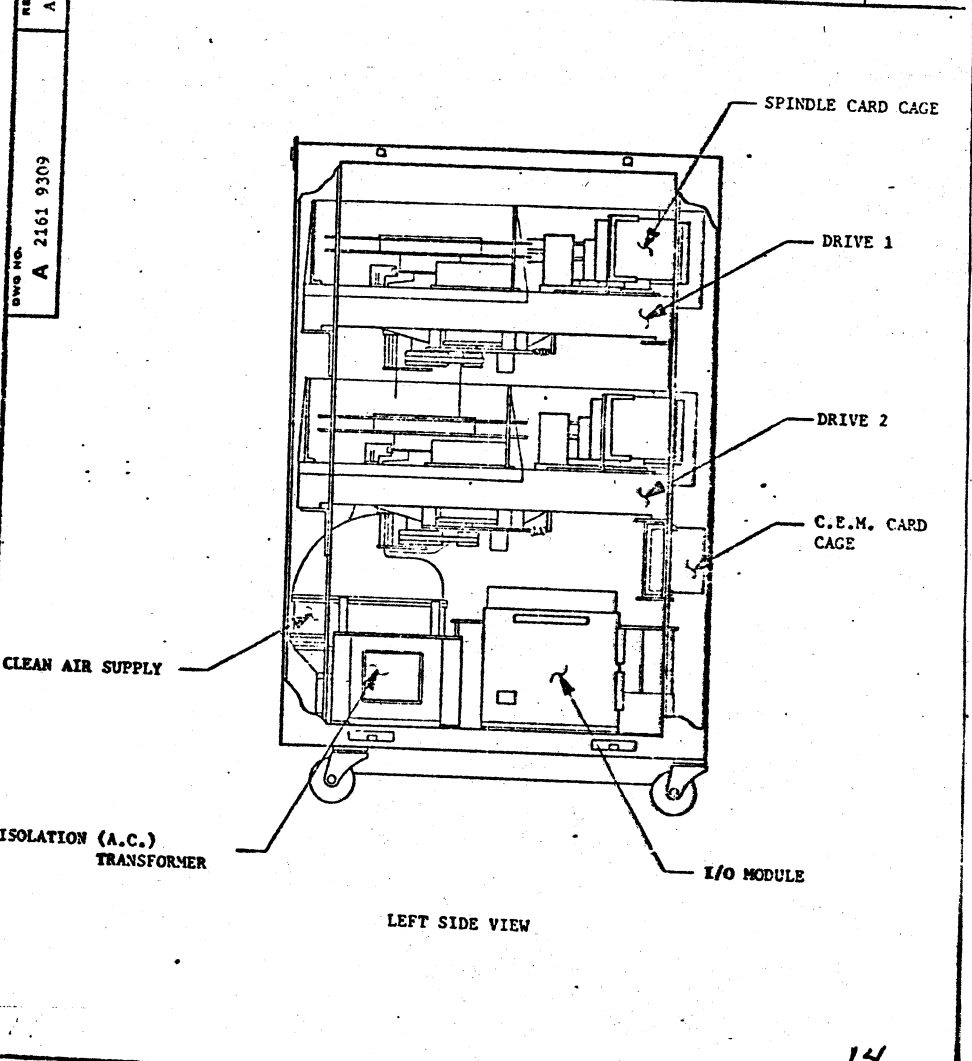
Burroughs Corporation		SHEET 2 of 6	DWG NO. A 2161 9309	REV A			
DISK PACK PRODUCTS WESTLAKE VILLAGE, CALIF. 91360 U.S. AMERICA		RELEASE DATE	TITLE UNIT LOCATION CHART				
PROPRIETARY TO BURROUGHS CORPORATION. NOT TO BE REPRODUCED, NOR USED FOR MANUFACTURING PURPOSES, EXCEPT ON BURROUGHS ORDER OR PRIOR WRITTEN CONSENT.			DRWN <i>[Signature]</i>	CHKD	DSGN OR ENGR	APPD	CLASS CODE 4-0205
REV	A						
<p>DISK DRIVE MECHANIC TOP VIEW</p> <p>Labels: DISK, SPINDLE CARD CAGE, POSITIONER MOTOR, POSITIONER MOTOR LOCATING BAR</p>							

<b>Burroughs Corporation</b> DISK PACK PRODUCTS WESTLAKE PLANT WESTLAKE VILLAGE, CALIF. 91360 U.S. AMERICA		SHEET 3 OF 6	DWG NO. A 2161 9309	REV A
PROPRIETARY TO BURROUGHS CORPORATION. NOT TO BE REPRODUCED, NOR USED FOR MANUFACTURING PURPOSES, EXCEPT ON BURROUGHS ORDER OR PRIOR WRITTEN CONSENT.		TITLE UNIT LOCATION CHART		
RELEASE DATE	DRWN <i>[Signature]</i>	CHKD	DSGN OR ENGR	APPD
				CLASS CODE 4-0205



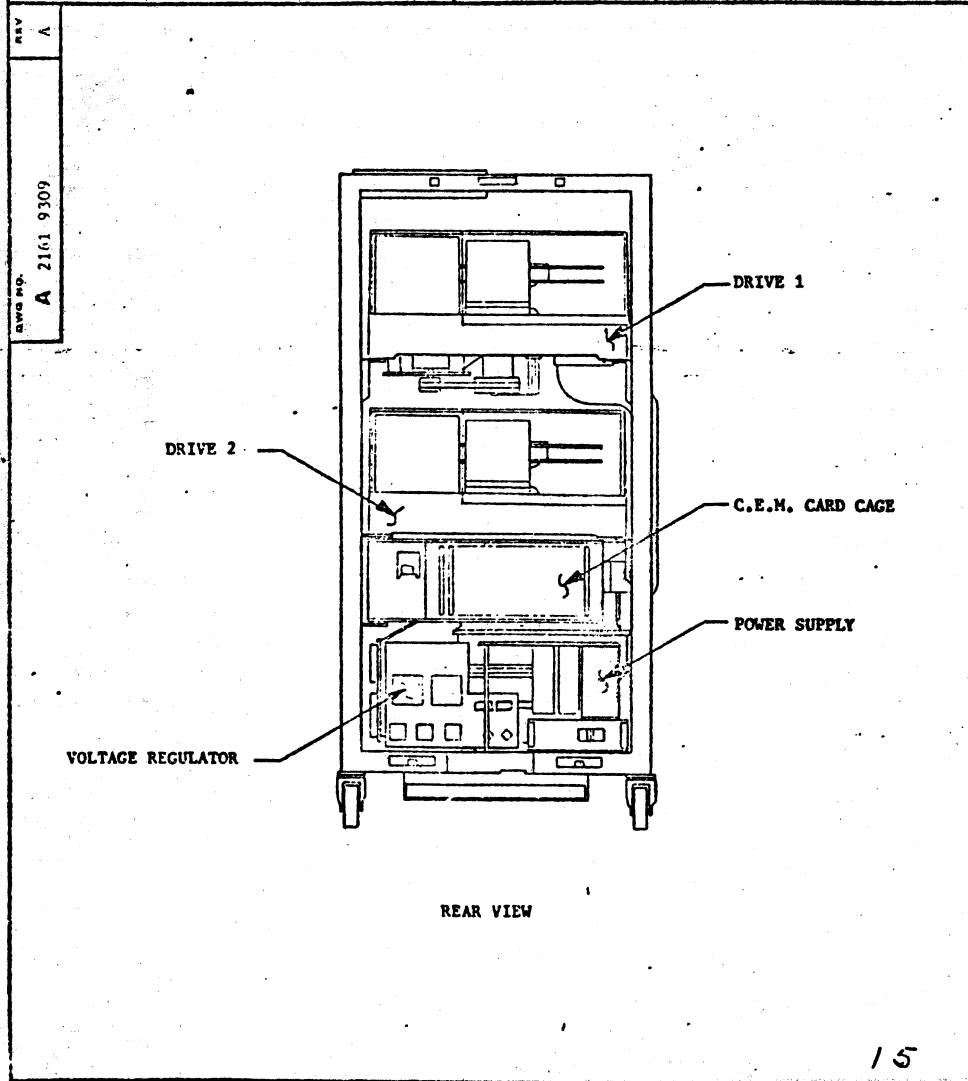
13

<b>Burroughs Corporation</b> DISK PACK PRODUCTS WESTLAKE PLANT WESTLAKE VILLAGE, CALIF. 91360 U.S. AMERICA		SHEET 4 OF 6	DWG NO. A 2161 9309	REV A
PROPRIETARY TO BURROUGHS CORPORATION. NOT TO BE REPRODUCED, NOR USED FOR MANUFACTURING PURPOSES, EXCEPT ON BURROUGHS ORDER OR PRIOR WRITTEN CONSENT.		TITLE UNIT LOCATION CHART		
RELEASE DATE	DRWN <i>[Signature]</i>	CHKD	DSGN OR ENGR	APPD
				CLASS CODE 4-0205

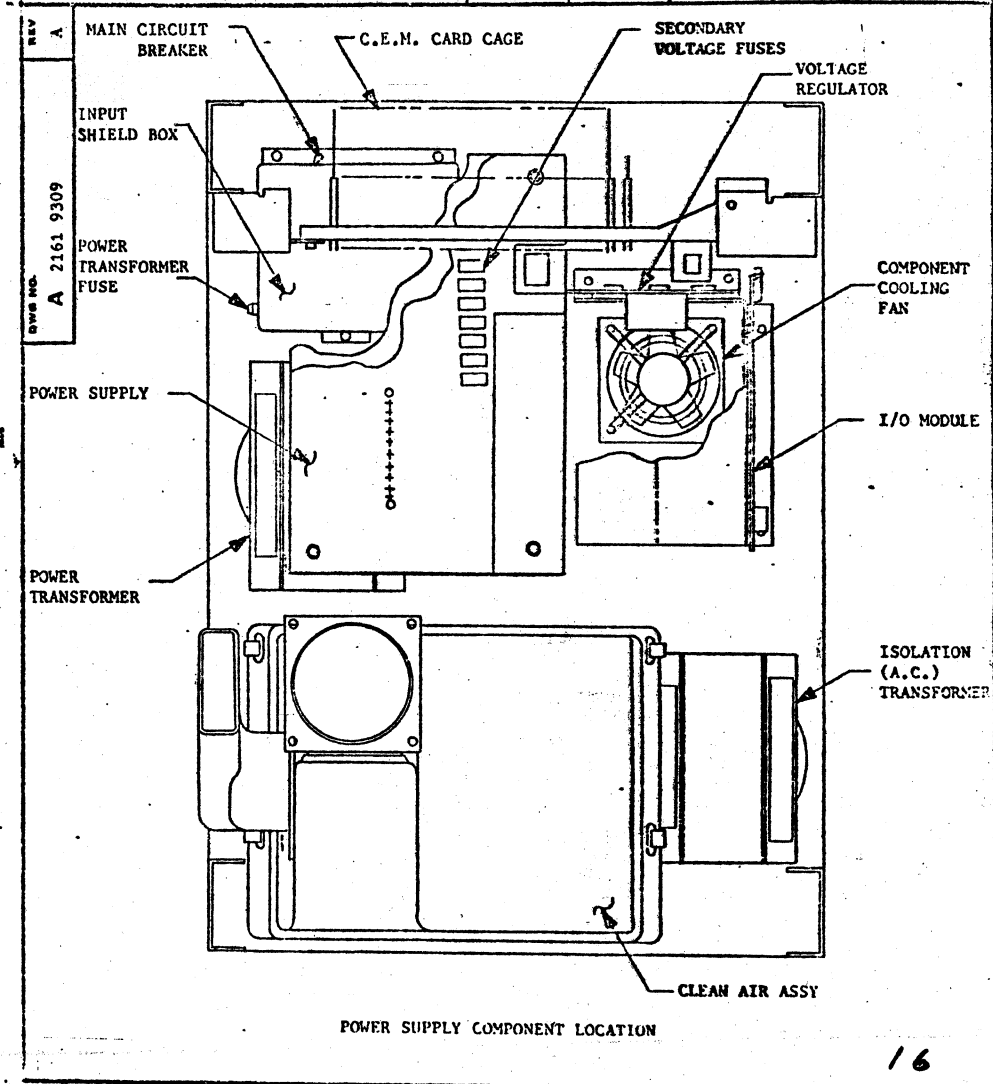


14

<b>Burroughs Corporation</b>		SHEET	DWG NO.	REV
DISK PAK PRODUCTS WESTLAKE PLANT WESTLAKE VILLAGE, CALIF. 91360 U.S. AMERICA		5 OF 6	A 2161 9309	A
RELEASE DATE	TITLE			
	UNIT LOCATION CHART			
DRWN	CHKD	DESN OR ENGR	APPD.	CLASS CODE
<i>ELB</i>				4-0205



<b>Burroughs Corporation</b>		SHEET	DWG NO.	REV
DISK PAK PRODUCTS WESTLAKE PLANT WESTLAKE VILLAGE, CALIF. 91360 U.S. AMERICA		6 OF 6	A 2161 9309	A
RELEASE DATE	TITLE			
	UNIT LOCATION CHART			
DRWN	CHKD	DESN OR ENGR	APPD.	CLASS CODE
<i>ELB</i>				4-0205



Burroughs Corporation		PREP <i>CEL</i>		PROJ		A-21624226		REV <i>E</i>	
WESTLAKE PLANT WESTLAKE VILLAGE, CALIF. 91360 U.S. AMERICA		CHKD		APPD		PAGE 1		CONT ON <i>F5</i>	
PROPRIETARY TO BURROUGHS CORPORATION. NOT TO BE REPRODUCED OR USED FOR MANUFACTURING PURPOSES EXCEPT ON BURROUGHS ORDER OR PRIOR WRITTEN CONSENT.						TITLE LOGIC FLOW CHART			
REV	CONTROL DOC & NO	DFTSMN	CHKD	APPD & DATE	PAGE	LINE OR Q	REVISION DESCRIPTION	CLASS CODE 2-9520	
A	ER 6765	<i>CEL</i>							
B	<i>ECN</i> 10457	<i>10/21/77</i>		<i>12/21/77</i>			<i>PAGE 30 &amp; 31 CHANGES</i>		
C	<i>ECN</i> 10525	<i>10/21/77</i>		<i>12/21/77</i>			<i>ON PAGES 49 THRU 65 CHANGES. PAGES QTY WAS: 69</i>		
D	<i>ECN</i> 10553	<i>10/21/77</i>		<i>12/21/77</i>			<i>ON PAGES 2 THRU 30 CHANGES, PAG. QTY WAS 70</i>		
E	<i>ECN</i> 10733	<i>10/21/77</i>		<i>12/21/77</i>			<i>ON PAGES 15 THRU 28 CHANGES, PAGES 37, 38, 41, 42 CHANGES, QTY WAS 73</i>		

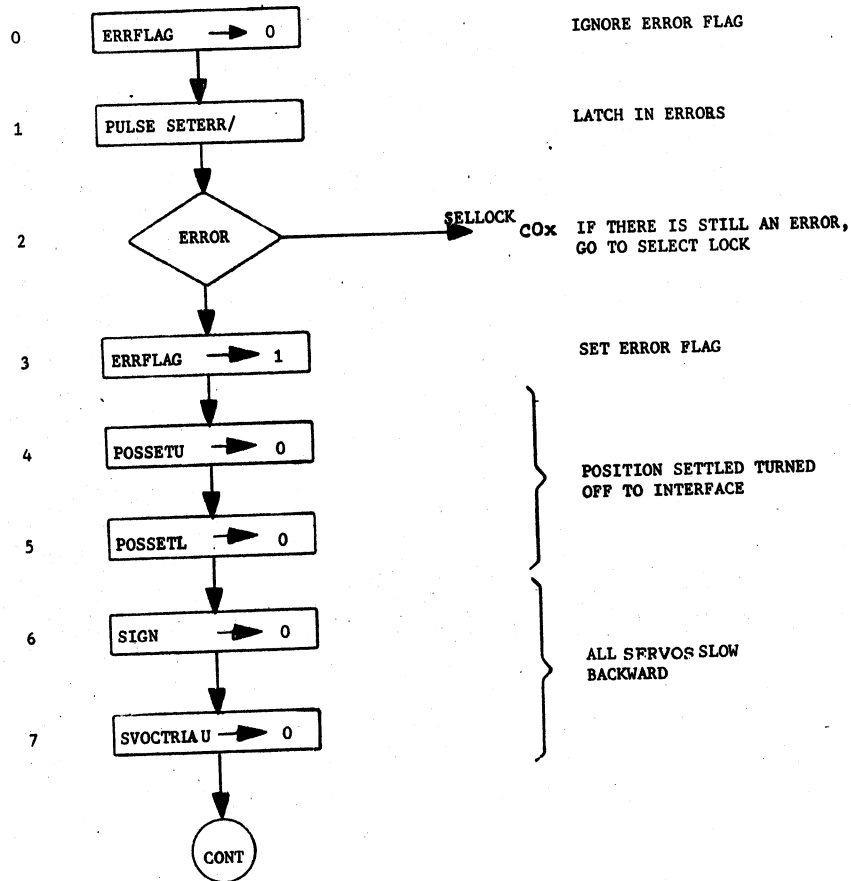
Burroughs Corporation		PREP <i>CEL</i>		PROJ		A 2162 4226		REV <i>E</i>	
WESTLAKE PLANT WESTLAKE VILLAGE, CALIF. 91360 U.S. AMERICA		CHKD		APPD		PAGE 2		OF 75	
PROPRIETARY TO BURROUGHS. NOT TO BE REPRODUCED OR USED FOR MANUFACTURING PURPOSES EXCEPT ON BURROUGHS ORDER OR PRIOR WRITTEN CONSENT.						TITLE LOGIC FLOW CHART			

THIS FLOW CHART CORRESPONDS TO  
THE FOLLOWING SET OF PROMS

DRIVE CONTROL I D S			PAGE 3
2857	2758	IC SLOT D 0	
2857	2786	IC SLOT C 0	
2857	2774	IC SLOT D 1	
R/W MACHINE D S			PAGE 33
2857	2311	IC SLOT E 0	
2857	2329	IC SLOT E 1	
2857	2337	IC SLOT E 2	
DRIVE CONTROL I S S			PAGE 54
2857	1511	IC SLOT D 0	
2857	1529	IC SLOT C 0	
2857	1537	IC SLOT D 1	
R/W MACHINE S S			PAGE 71
2162	6833	IC SLOT E 0	
2162	6858	IC SLOT E 1	
2162	6841	IC SLOT E 2	

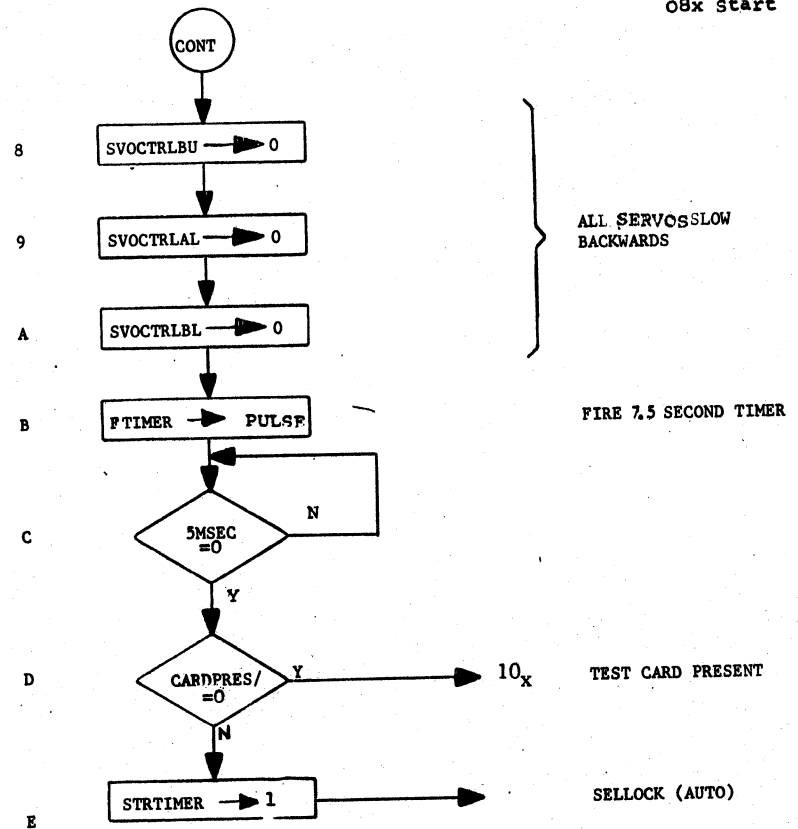
<b>Burroughs Corporation</b> <small>DISK PACK PRODUCTS WESTLAKE VILLAGE, CALIF. 91360</small>	<small>PREP</small> <i>CER</i>	<small>PROJ</small> 	<small>A2162 4226</small> <i>E</i>
	<small>CHKD</small> 	<small>APPD</small> 	<small>PAGE 3 of 75</small>
<small>PROPRIETARY TO BURROUGHS. NOT TO BE REPRODUCED OR USED FOR MANUFACTURING PURPOSES EXCEPT ON BURROUGHS ORDER OR PRIOR WRITTEN CONSENT.</small>			<small>TITLE</small> <b>LOGIC FLOW CHART.</b>

00x Start Drive Control



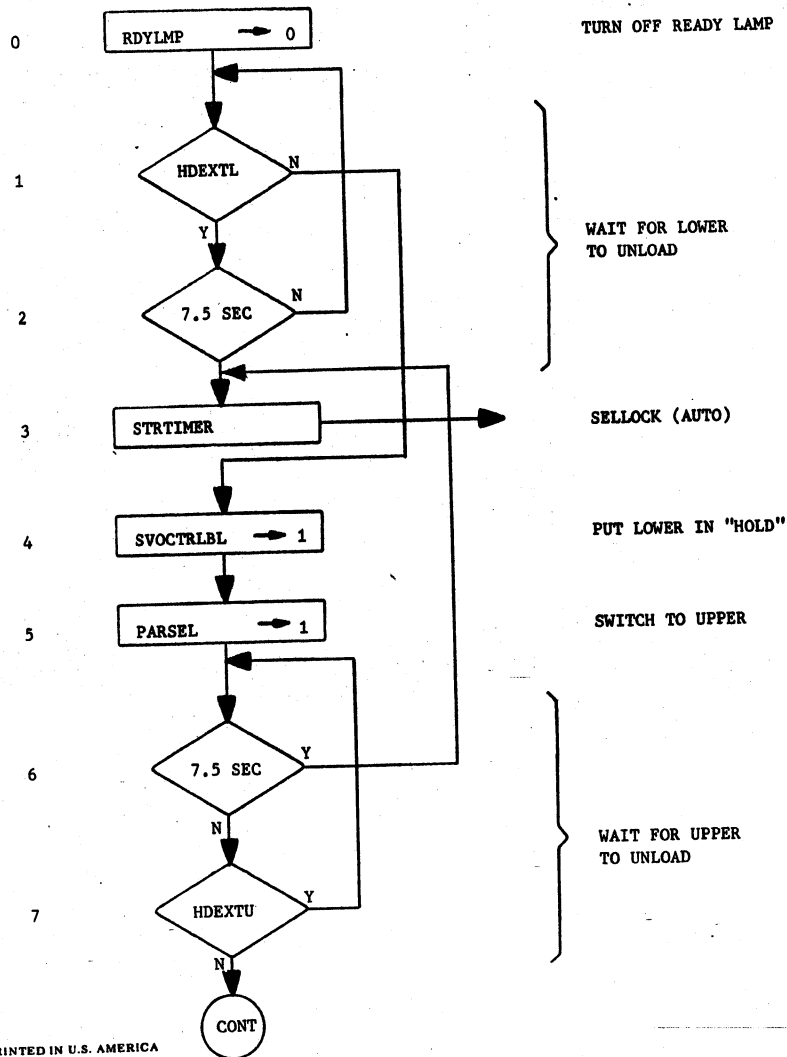
<b>Burroughs Corporation</b> <small>DISK PACK PRODUCTS WESTLAKE VILLAGE, CALIF. 91360</small>	<small>PREP</small> <i>CER</i>	<small>PROJ</small> 	<small>A2162 4226</small> <i>E</i>
	<small>CHKD</small> 	<small>APPD</small> 	<small>PAGE 4 of 75</small>
<small>PROPRIETARY TO BURROUGHS. NOT TO BE REPRODUCED OR USED FOR MANUFACTURING PURPOSES EXCEPT ON BURROUGHS ORDER OR PRIOR WRITTEN CONSENT.</small>			<small>TITLE</small> <b>LOGIC FLOW CHART</b>

08x start



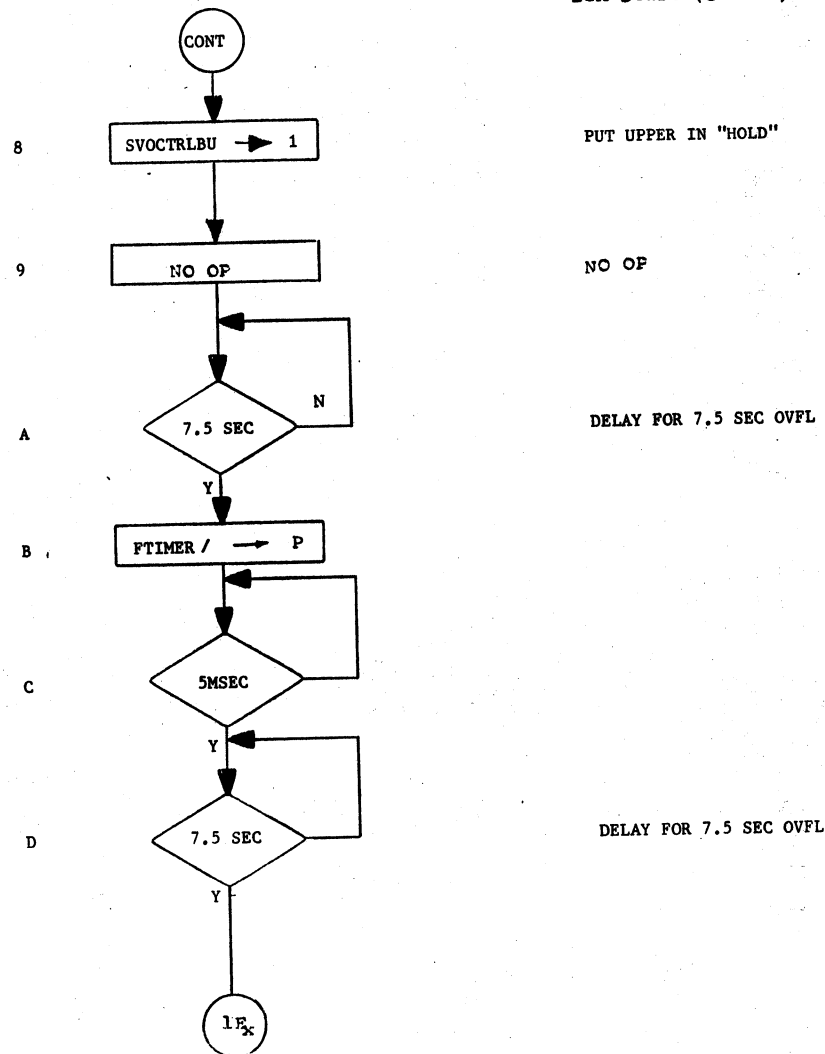
<b>Burroughs Corporation</b> <small>DISK PACK PRODUCTS WESTLAKE VILLAGE, CALIF. 91360</small>	PREP <i>ell</i>	PROJ	A 2162 4226 <i>E</i>
	CHKD	APPD	PAGE 5 of 75
<small>PROPRIETARY TO BURROUGHS. NOT TO BE REPRODUCED OR USED FOR MANUFACTURING PURPOSES EXCEPT ON BURROUGHS ORDER OR PRIOR WRITTEN CONSENT.</small>			TITLE <b>LOGIC FLOW CHART</b>

10x start (Con't.)



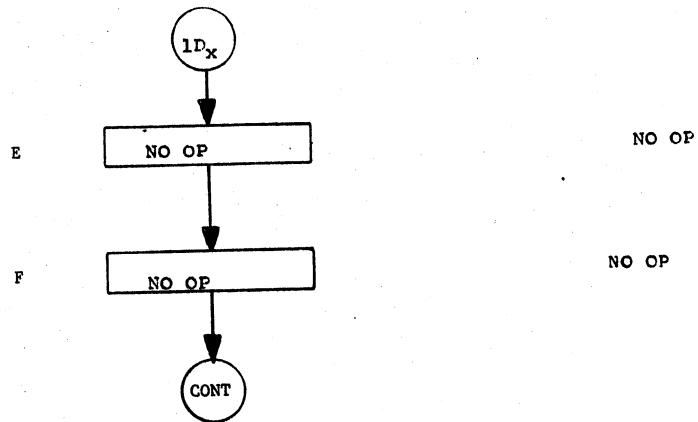
<b>Burroughs Corporation</b> <small>DISK PACK PRODUCTS WESTLAKE VILLAGE, CALIF. 91360</small>	PREP <i>ell</i>	PROJ	A 2162 4226 <i>E</i>
	CHKD	APPD	PAGE 6 of 75
<small>PROPRIETARY TO BURROUGHS. NOT TO BE REPRODUCED OR USED FOR MANUFACTURING PURPOSES EXCEPT ON BURROUGHS ORDER OR PRIOR WRITTEN CONSENT.</small>			TITLE <b>LOGIC FLOW CHART</b>

18x start (Con't.)



<b>Burroughs Corporation</b> <small>DISK PACK PRODUCTS WESTLAKE VILLAGE, CALIF. 91360</small> <small>WESTLAKE PLANT U.S. AMERICA</small>	PREP	PROJ	A2162 4226	E
	CHKD	APPD	PAGE 7 of 75	
<small>PROPRIETARY TO BURROUGHS. NOT TO BE REPRODUCED OR USED FOR MANUFACTURING PURPOSES EXCEPT ON BURROUGHS ORDER OR PRIOR WRITTEN CONSENT.</small>			TITLE <b>LOGIC FLOW CHART</b>	

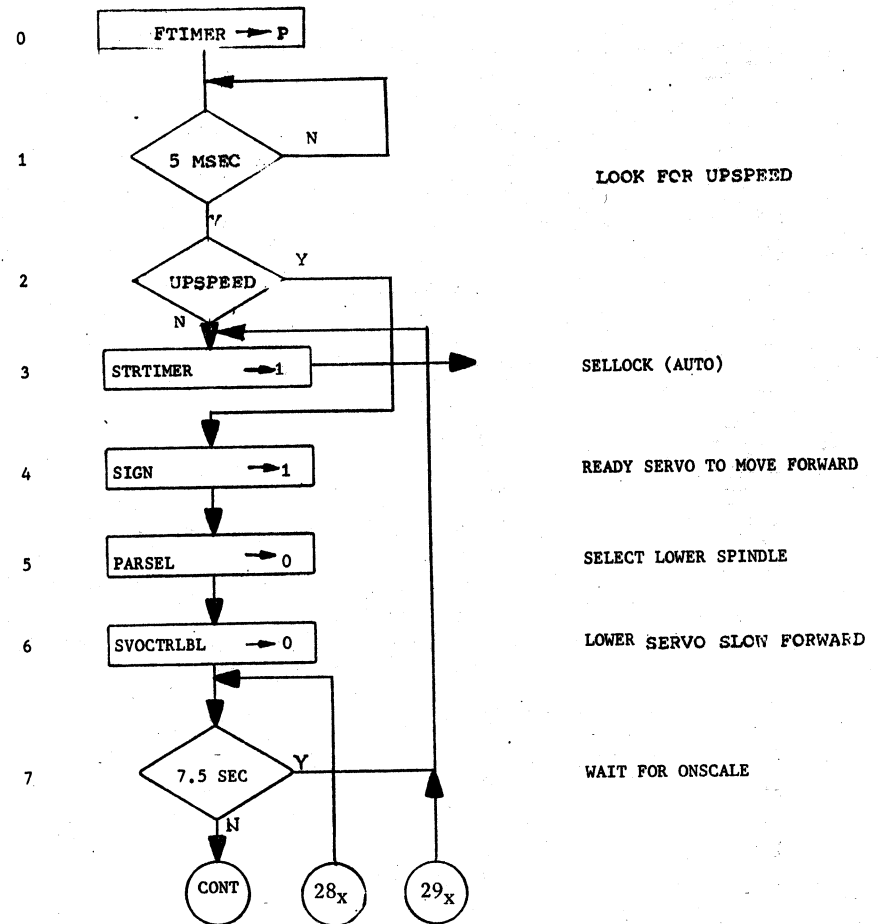
1E START (CON'T.)



<b>Burroughs Corporation</b> <small>DISK PACK PRODUCTS WESTLAKE VILLAGE, CALIF. 91360</small> <small>WESTLAKE PLANT U.S. AMERICA</small>	PREP	PROJ	A2162 4226	E
	CHKD	APPD	PAGE 8 of 75	
<small>PROPRIETARY TO BURROUGHS. NOT TO BE REPRODUCED OR USED FOR MANUFACTURING PURPOSES EXCEPT ON BURROUGHS ORDER OR PRIOR WRITTEN CONSENT.</small>			TITLE <b>LOGIC FLOW CHART</b>	

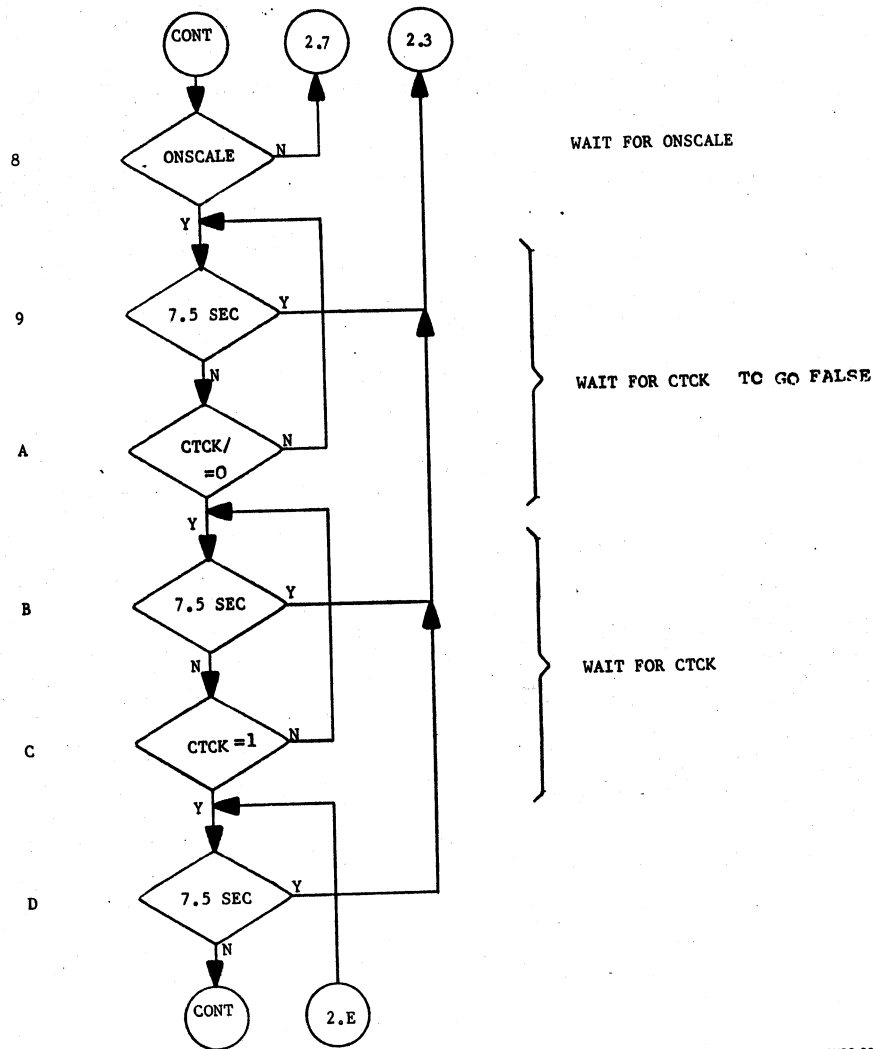
20x Cycle Up

20x Cycle Up



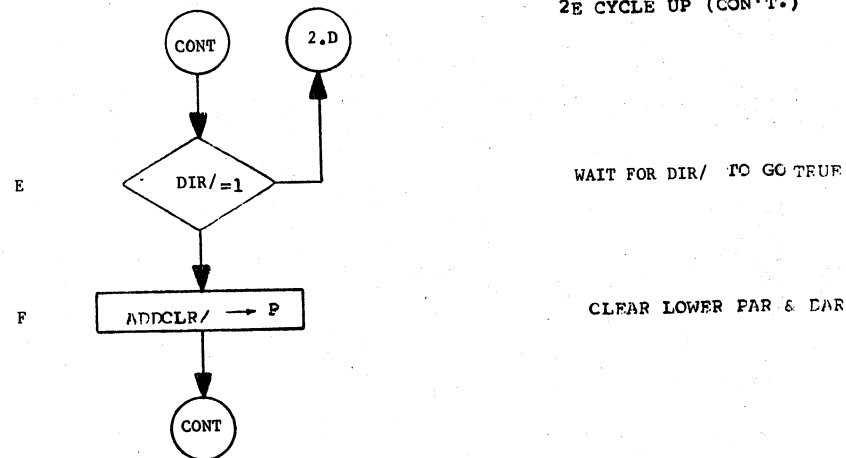
<b>Burroughs Corporation</b> DISK PACK PRODUCTS WESTLAKE VILLAGE, CALIF. 91380 WESTLAKE PLANT U.S. AMERICA	PREP <i>CEL</i>	PROJ	A 2162 4226	E
	CHKD	APPD	PAGE 9 of 75	
PROPRIETARY TO BURROUGHS. NOT TO BE REPRODUCED OR USED FOR MANUFACTURING PURPOSES EXCEPT ON BURROUGHS ORDER OR PRIOR WRITTEN CONSENT.			TITLE <b>LOGIC FLOW CHART</b>	

28x cycle UP (Con't.)



<b>Burroughs Corporation</b> DISK PACK PRODUCTS WESTLAKE VILLAGE, CALIF. 91360 WESTLAKE PLANT U.S. AMERICA	PREP <i>CEL</i>	PROJ	A 2162 4226	E
	CHKD	APPD	PAGE 10 of 75	
PROPRIETARY TO BURROUGHS. NOT TO BE REPRODUCED OR USED FOR MANUFACTURING PURPOSES EXCEPT ON BURROUGHS ORDER OR PRIOR WRITTEN CONSENT.			TITLE <b>LOGIC FLOW CHART</b>	

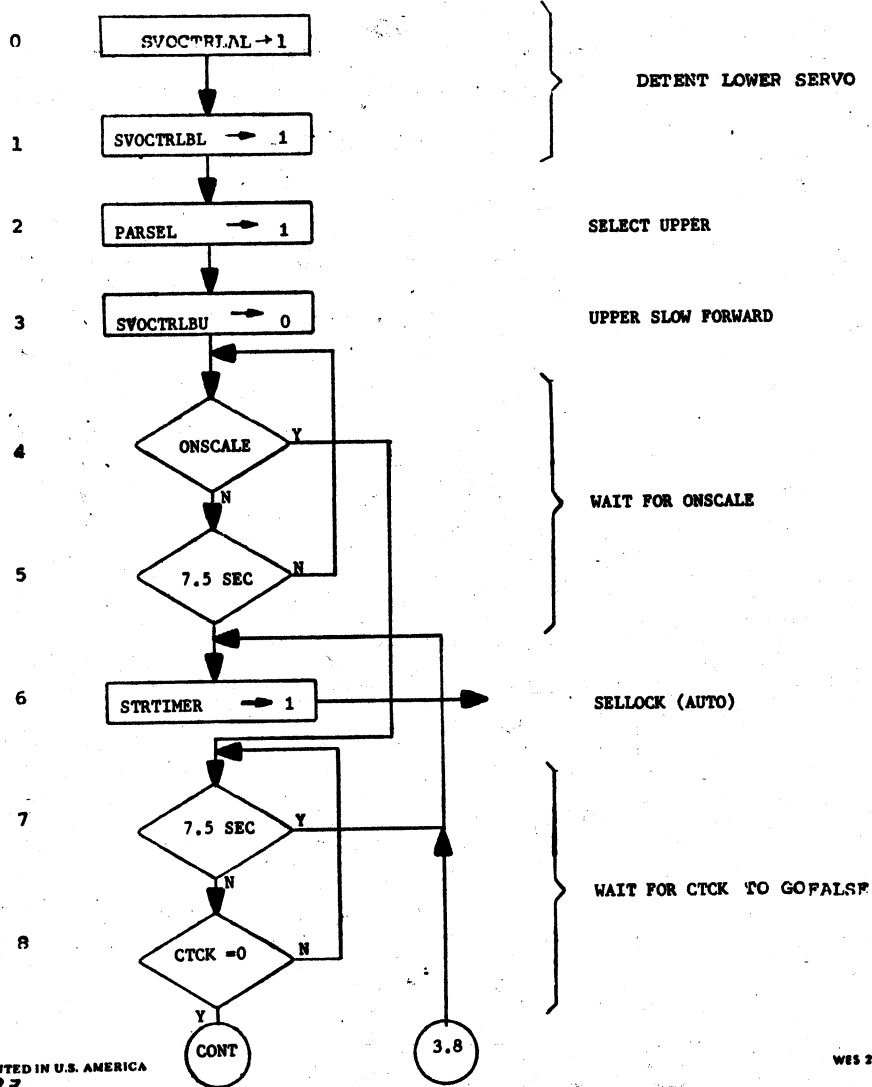
2E CYCLE UP (CON'T.)





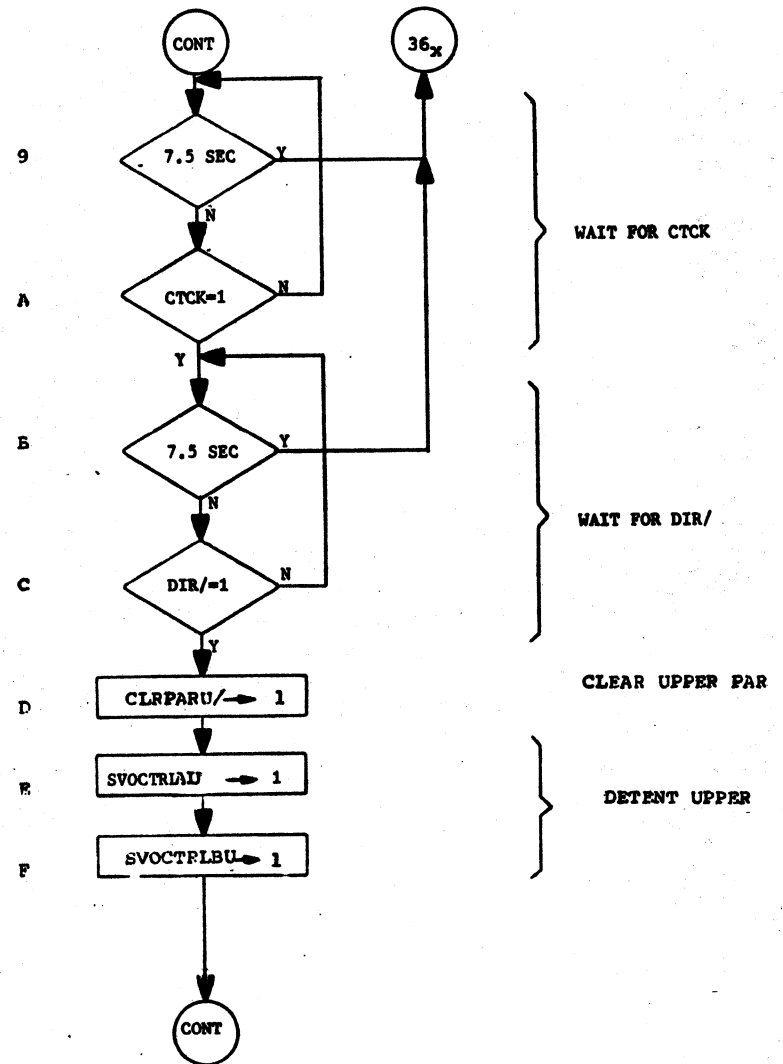
<b>Burroughs Corporation</b> <small>DISK PACK PRODUCTS WESTLAKE VILLAGE, CALIF 91360 WESTLAKE PLANT U.S. AMERICA</small>	PREP <i>CGP</i>	PROJ	A 2162 4226 <i>E</i>
	CHKD	APPD	PAGE 11 of 75
<small>PROPRIETARY TO BURROUGHS. NOT TO BE REPRODUCED OR USED FOR MANUFACTURING PURPOSES EXCEPT ON BURROUGHS ORDER OR PRIOR WRITTEN CONSENT.</small>			TITLE <b>LOGIC FLOW CHART</b>

30x CYCLE UP (CON'T.)



<b>Burroughs Corporation</b> <small>DISK PACK PRODUCTS WESTLAKE VILLAGE, CALIF 91360 WESTLAKE PLANT U.S. AMERICA</small>	PREP <i>CGP</i>	PROJ	A 2162 4226 <i>E</i>
	CHKD	APPD	PAGE 12 of 75
<small>PROPRIETARY TO BURROUGHS. NOT TO BE REPRODUCED OR USED FOR MANUFACTURING PURPOSES EXCEPT ON BURROUGHS ORDER OR PRIOR WRITTEN CONSENT.</small>			TITLE <b>LOGIC FLOW CHART</b>

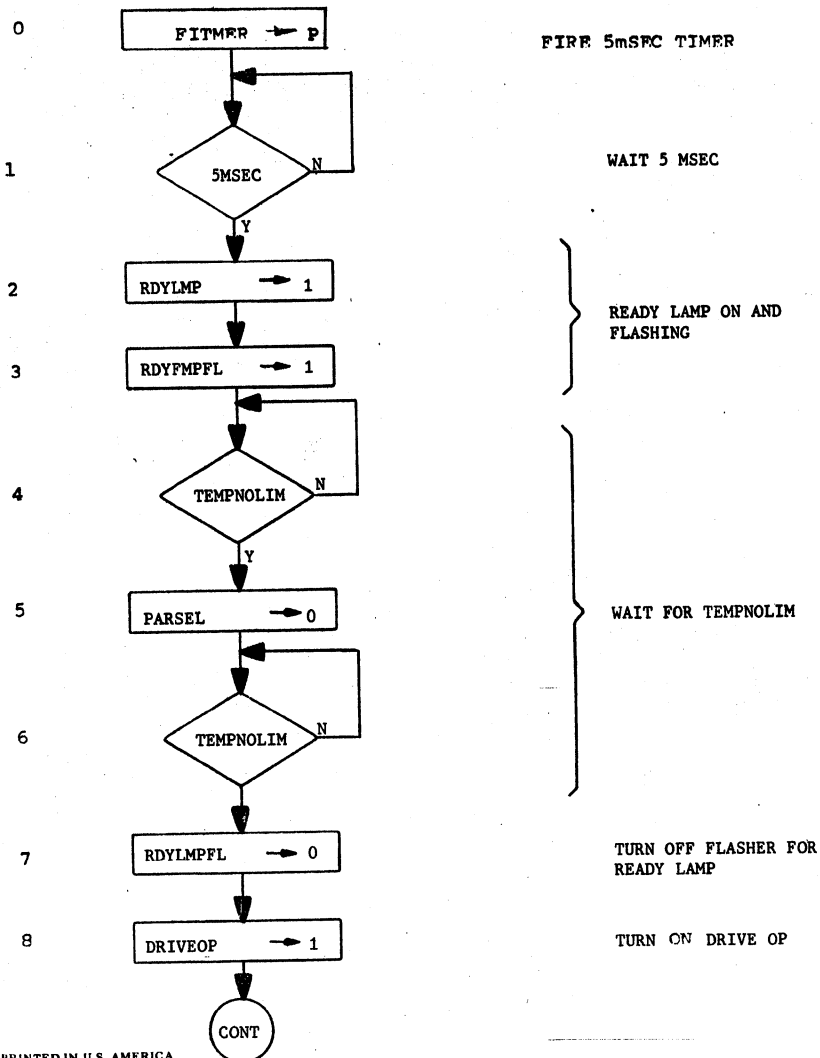
30x CYCLE UP (CON'T.)



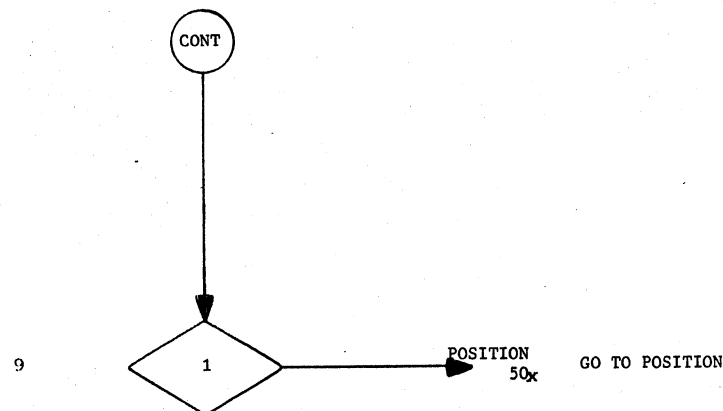
<b>Burroughs Corporation</b> <small>DISK PACK PRODUCTS WESTLAKE VILLAGE, CALIF. 91360</small>	PREP <i>Cel</i>	PROJ	A2162 4226 <i>E</i>
	CHKD	APPD	PAGE 13 of 75
<small>PROPRIETARY TO BURROUGHS. NOT TO BE REPRODUCED OR USED FOR MANUFACTURING PURPOSES EXCEPT ON BURROUGHS ORDER OR PRIOR WRITTEN CONSENT.</small>			TITLE <b>LOGIC FLOW CHART</b>

<b>Burroughs Corporation</b> <small>DISK PACK PRODUCTS WESTLAKE VILLAGE, CALIF. 91360</small>	PREP <i>CR</i>	PROJ	A2162 4226 <i>E</i>
	CHKD	APPD	PAGE 14 of 15
<small>PROPRIETARY TO BURROUGHS. NOT TO BE REPRODUCED OR USED FOR MANUFACTURING PURPOSES EXCEPT ON BURROUGHS ORDER OR PRIOR WRITTEN CONSENT.</small>			TITLE <b>LOGIC FLOW CHART</b>

40x CYCLE UP (CON'T.)

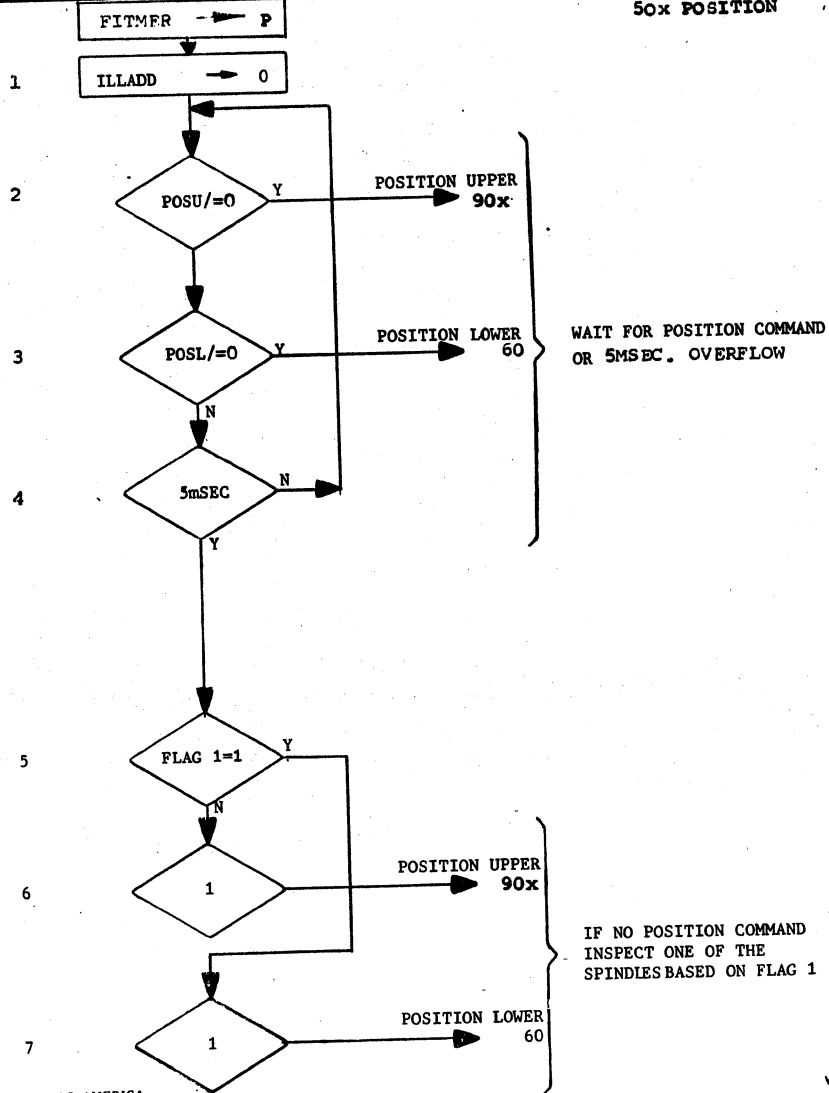


48x CYCLE UP (CON'T.)



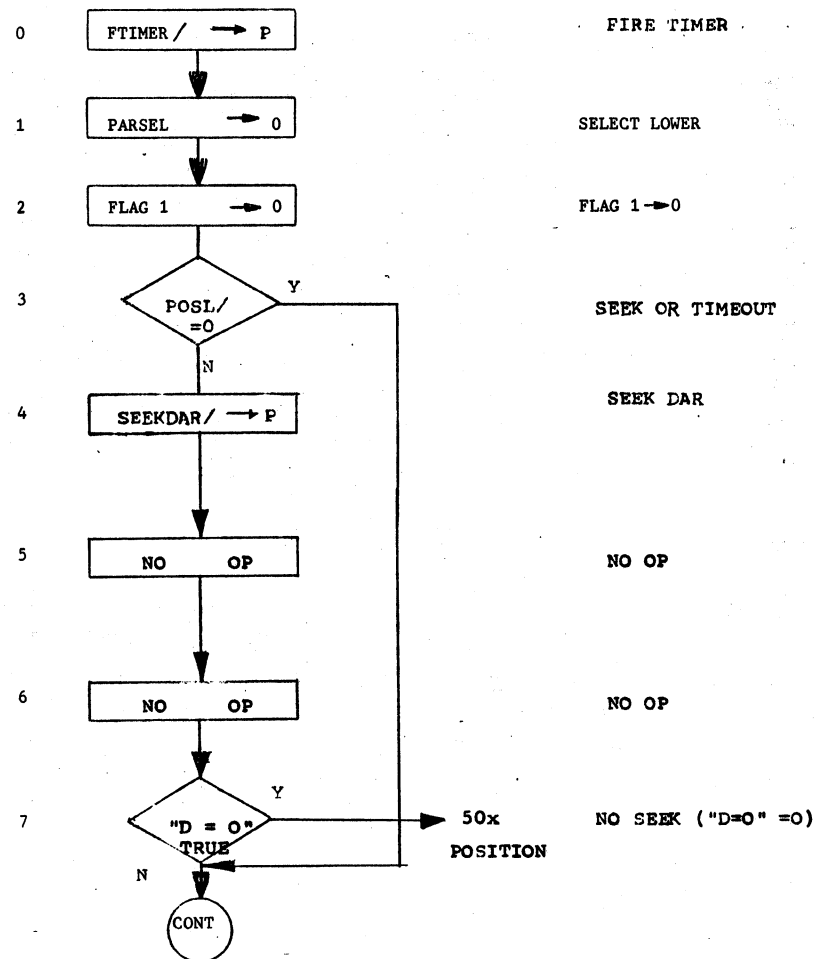
<b>Burroughs Corporation</b> <small>DISK PACK PRODUCTS WESTLAKE VILLAGE, CALIF. 91360</small>	PREP <i>CEL</i>	PROJ	A2162 4226	E
	CHKD	APPD	PAGE 15 OF 75	
<small>PROPRIETARY TO BURROUGHS. NOT TO BE REPRODUCED OR USED FOR MANUFACTURING PURPOSES EXCEPT ON BURROUGHS ORDER OR PRIOR WRITTEN CONSENT.</small>			TITLE <b>LOGIC FLOW CHART</b>	

50x POSITION



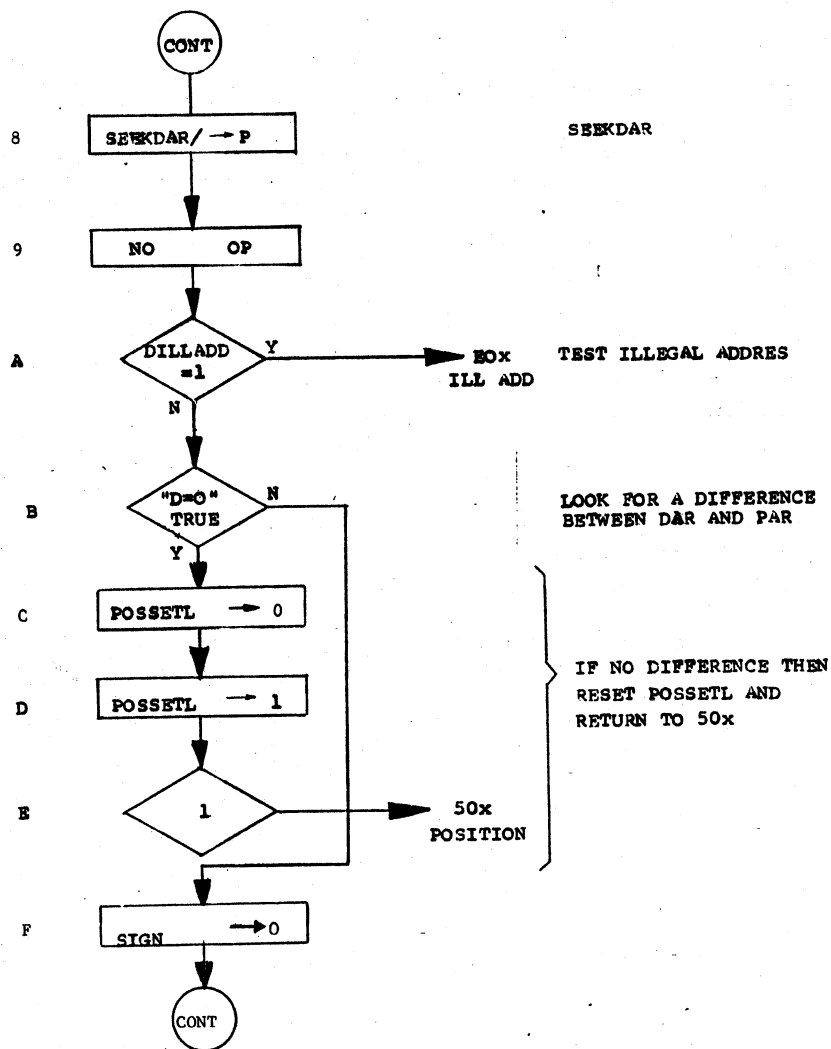
<b>Burroughs Corporation</b> <small>DISK PACK PRODUCTS WESTLAKE VILLAGE, CALIF. 91360</small>	PREP <i>CEL</i>	PROJ	A2162 4226	E
	CHKD	APPD	PAGE 16 OF 75	
<small>PROPRIETARY TO BURROUGHS. NOT TO BE REPRODUCED OR USED FOR MANUFACTURING PURPOSES EXCEPT ON BURROUGHS ORDER OR PRIOR WRITTEN CONSENT.</small>			TITLE <b>LOGIC FLOW CHART</b>	

60x POSITION LOWER



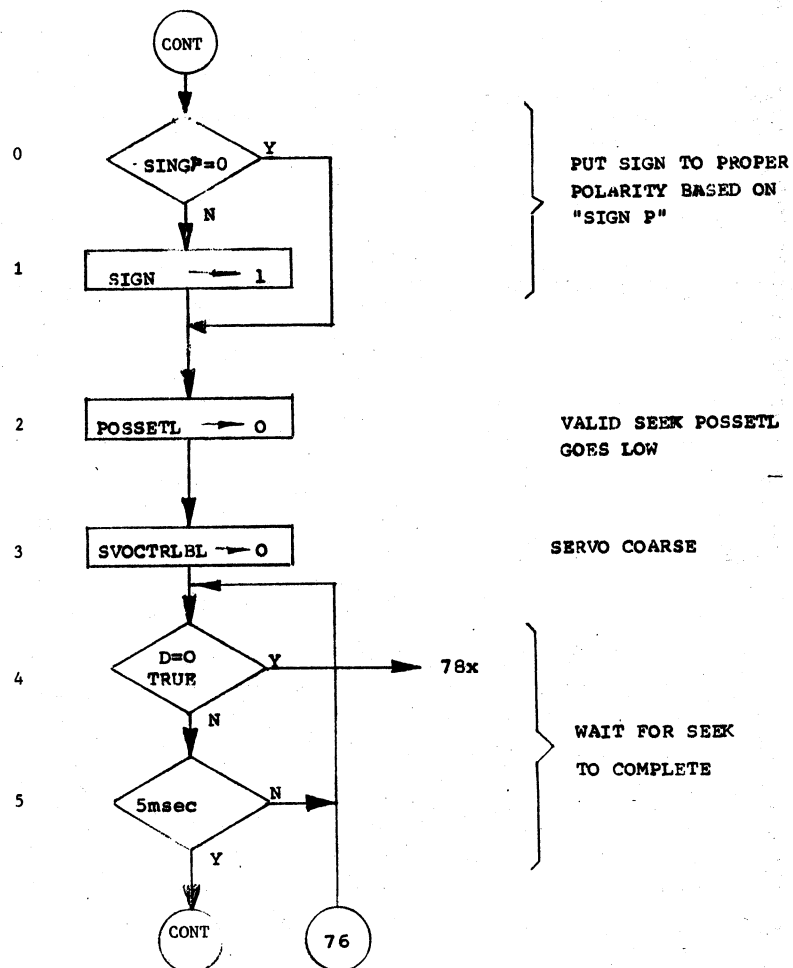
<b>Burroughs Corporation</b> <small>DISK PACK PRODUCTS WESTLAKE VILLAGE, CALIF. 91360 WESTLAKE PLANT U.S. AMERICA</small>	PREP <i>CEL</i>	PROJ	A21624226	<small>PAGE 17 OF 75</small>
	CHKD	APPD		
<small>PROPRIETARY TO BURROUGHS. NOT TO BE REPRODUCED OR USED FOR MANUFACTURING PURPOSES EXCEPT ON BURROUGHS ORDER OR PRIOR WRITTEN CONSENT.</small>			TITLE <b>LOGIC FLOW CHART</b>	

68x POSITION LOWER (CON'T.)

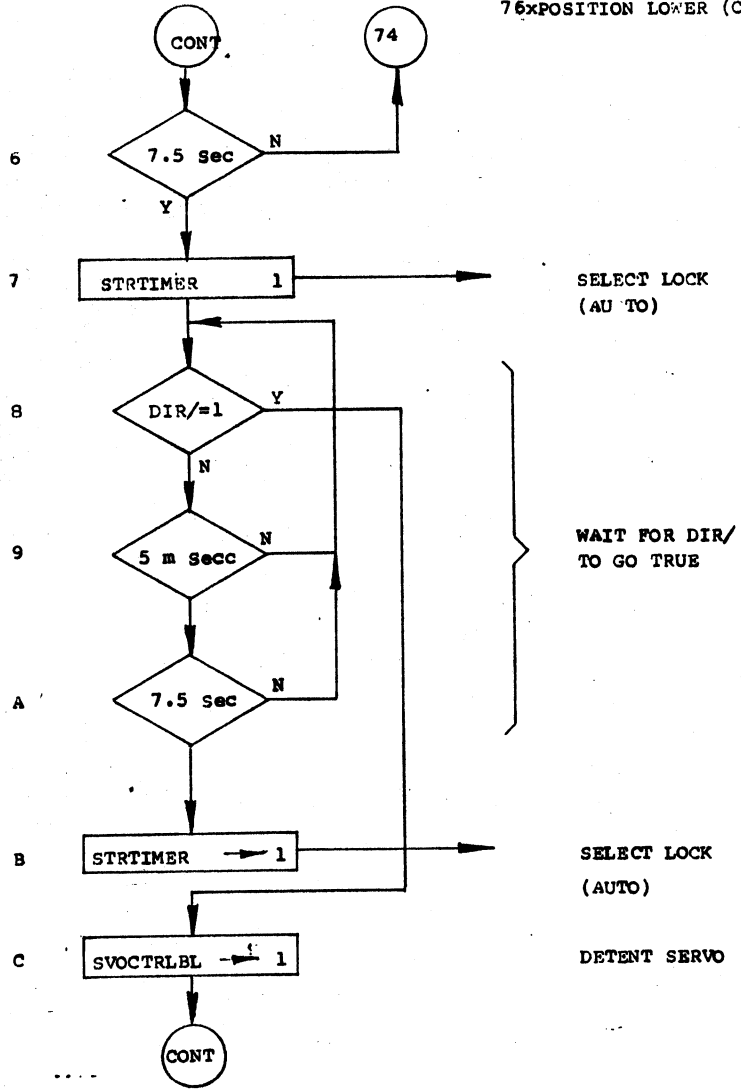


<b>Burroughs Corporation</b> <small>DISK PACK PRODUCTS WESTLAKE VILLAGE, CALIF. 91360 WESTLAKE PLANT U.S. AMERICA</small>	PREP <i>CEL</i>	PROJ	A21624226	<small>PAGE 18 OF 75</small>
	CHKD	APPD		
<small>PROPRIETARY TO BURROUGHS. NOT TO BE REPRODUCED OR USED FOR MANUFACTURING PURPOSES EXCEPT ON BURROUGHS ORDER OR PRIOR WRITTEN CONSENT.</small>			TITLE <b>LOGIC FLOW CHART</b>	

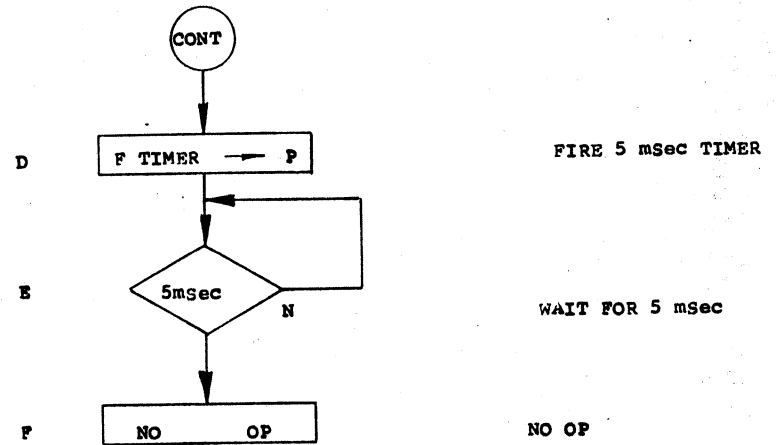
70x POSITION LOWER (CON'T.)



76x POSITION LOWER (CON'T)

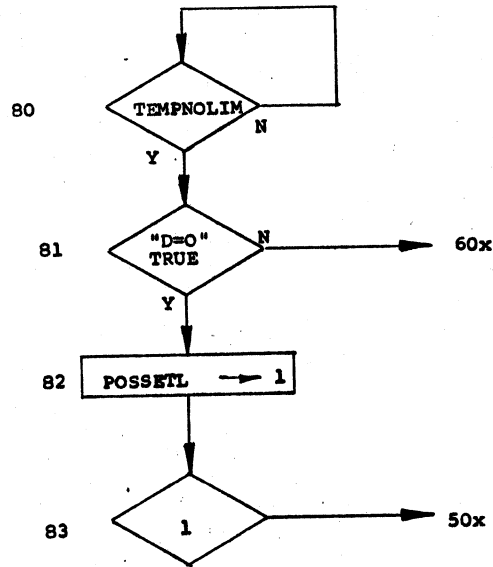


7DX POSITION LOWER (CON'T)



<b>Burroughs Corporation</b> WESTLAKE PLANT WESTLAKE VILLAGE, CALIF 91360 U.S. AMERICA	PREP <i>SEL</i>	PROJ	A2162 422i
	CHKD	APPD	PAGE 21 of 75
PROPRIETARY TO BURROUGHS. NOT TO BE REPRODUCED OR USED FOR MANUFACTURING PURPOSES EXCEPT ON BURROUGHS ORDER OR PRIOR WRITTEN CONSENT.		TITLE <b>LOGIC FLOW CHART</b>	

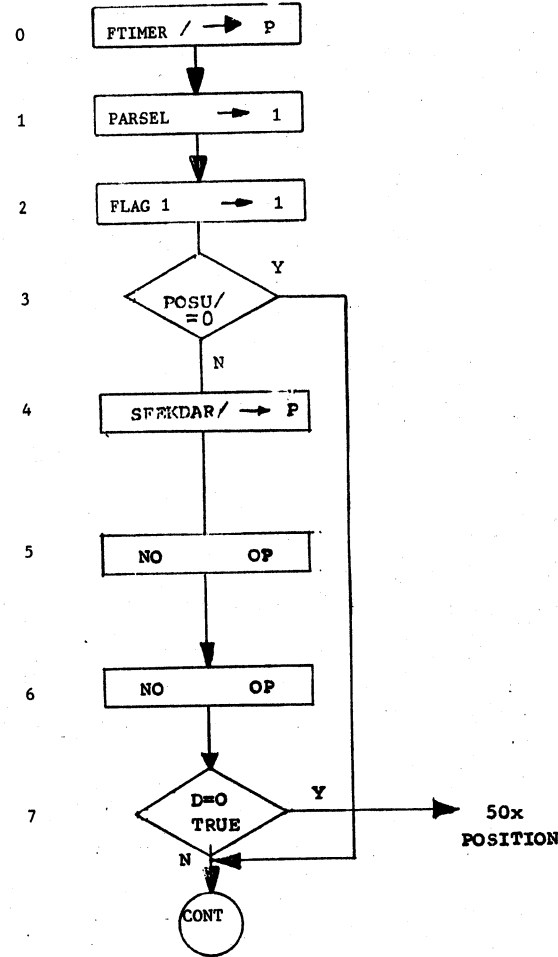
80x POSITION LOWER (CON'T)



UNCONDITIONAL

<b>Burroughs Corporation</b> DISK PACK PRODUCTS WESTLAKE VILLAGE, CALIF 91360 U.S. AMERICA	PREP	PROJ	A2162 422i
	CHKD	APPD	PAGE 22 of 75
PROPRIETARY TO BURROUGHS. NOT TO BE REPRODUCED OR USED FOR MANUFACTURING PURPOSES EXCEPT ON BURROUGHS ORDER OR PRIOR WRITTEN CONSENT.		TITLE <b>LOGIC FLOW CHART</b>	

90x POSITION UPPER



ALGORITHM IS SAME AS FOR POSITION LOWER

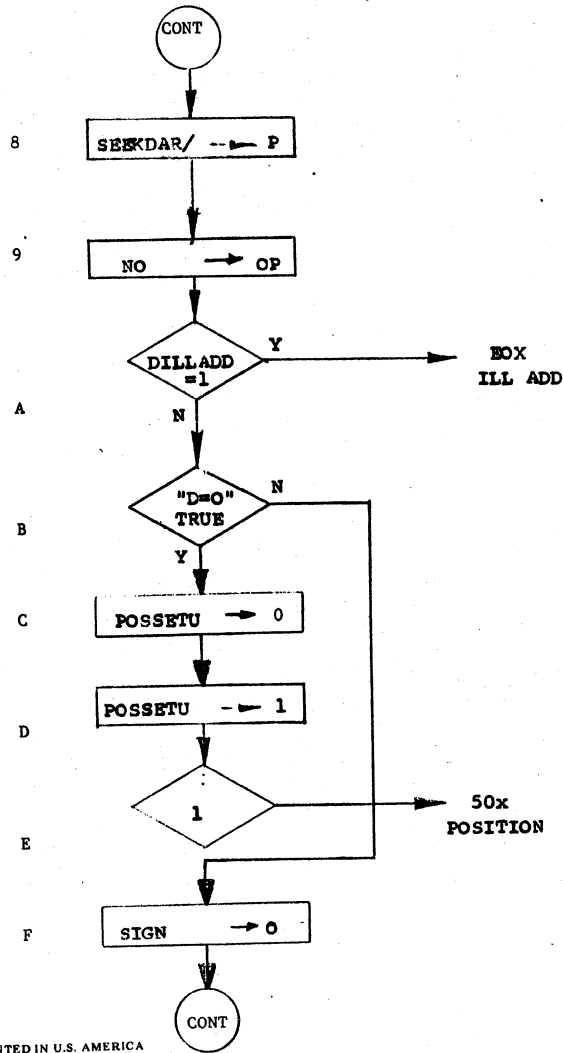
NO OP

NO OP

<b>Burroughs Corporation</b> DISK PACK PRODUCTS WESTLAKE VILLAGE, CALIF. 91360 WESTLAKE PLANT U.S. AMERICA	PREP	PROJ	A216Z 4226	5
	CHKD	APPD	PAGE 23 OF 75	
PROPRIETARY TO BURROUGHS. NOT TO BE REPRODUCED OR USED FOR MANUFACTURING PURPOSES EXCEPT ON BURROUGHS ORDER OR PRIOR WRITTEN CONSENT.			TITLE	
			LOGIC FLOW CHART	

88x Position Upper (con't.)

88x POSITION UPPER (CON'T.)



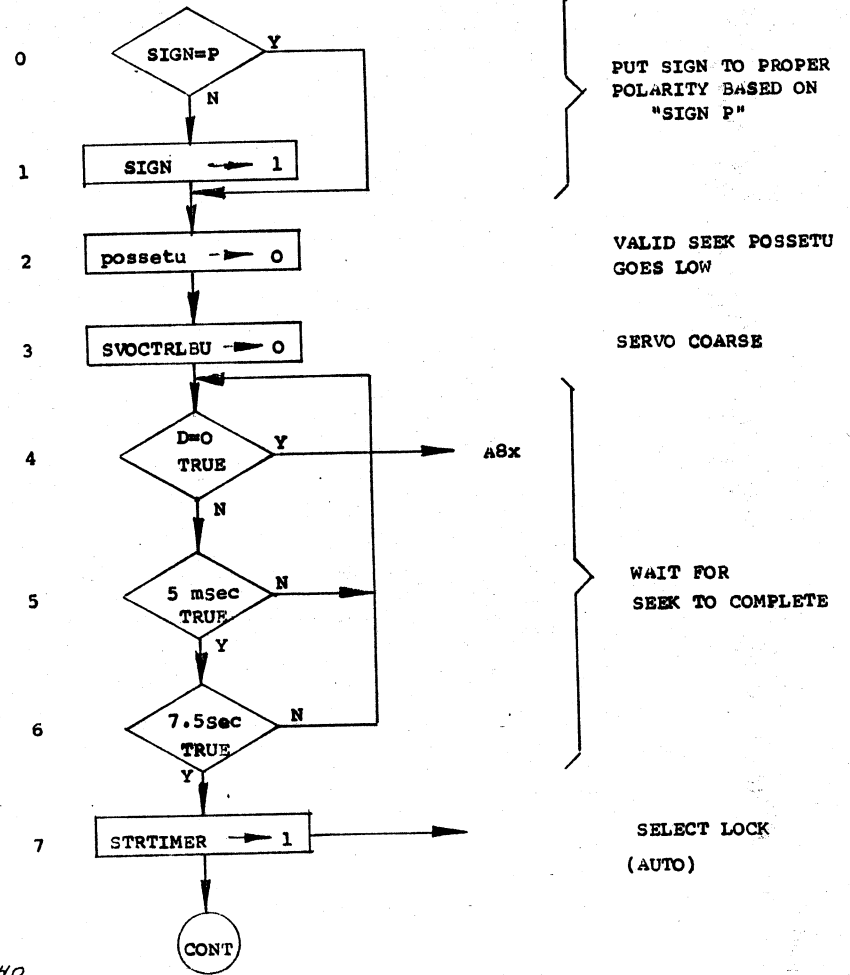
39

PRINTED IN U.S. AMERICA

WES 2389 4-73

<b>Burroughs Corporation</b> WESTLAKE PLANT WESTLAKE VILLAGE, CALIF. 91360 U.S. AMERICA	PREP	PROJ	A 216Z 4226	5
	CHKD	APPD	PAGE 24 OF 75	
PROPRIETARY TO BURROUGHS. NOT TO BE REPRODUCED OR USED FOR MANUFACTURING PURPOSES EXCEPT ON BURROUGHS ORDER OR PRIOR WRITTEN CONSENT.			TITLE	
			LOGIC FLOW CHART	

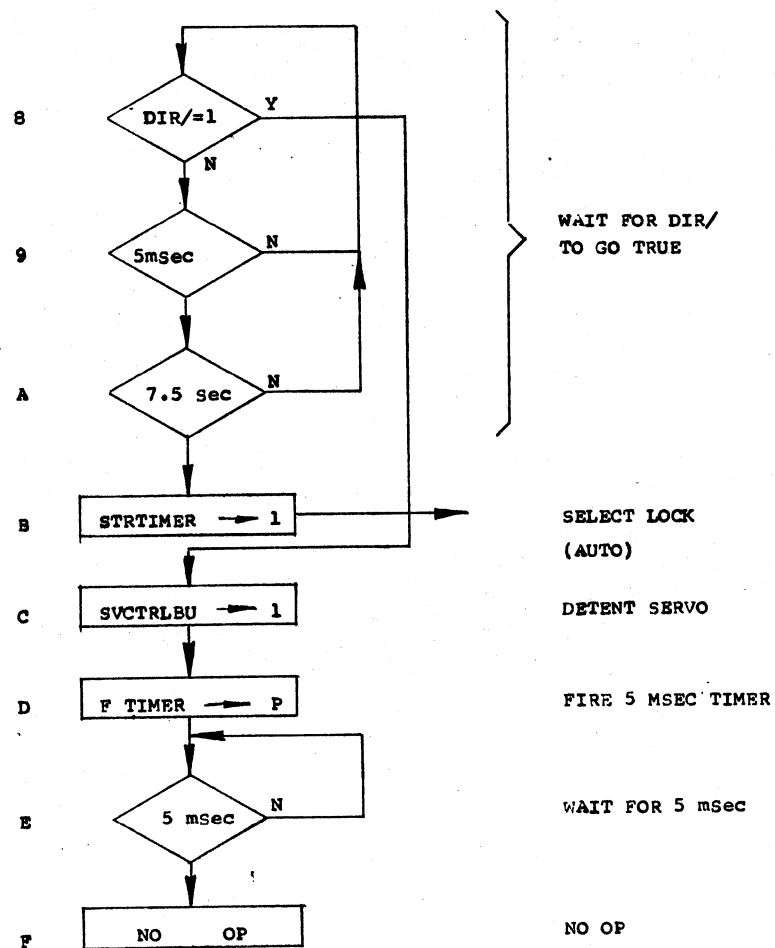
AOX POSITION UPPER (CON'T)



40

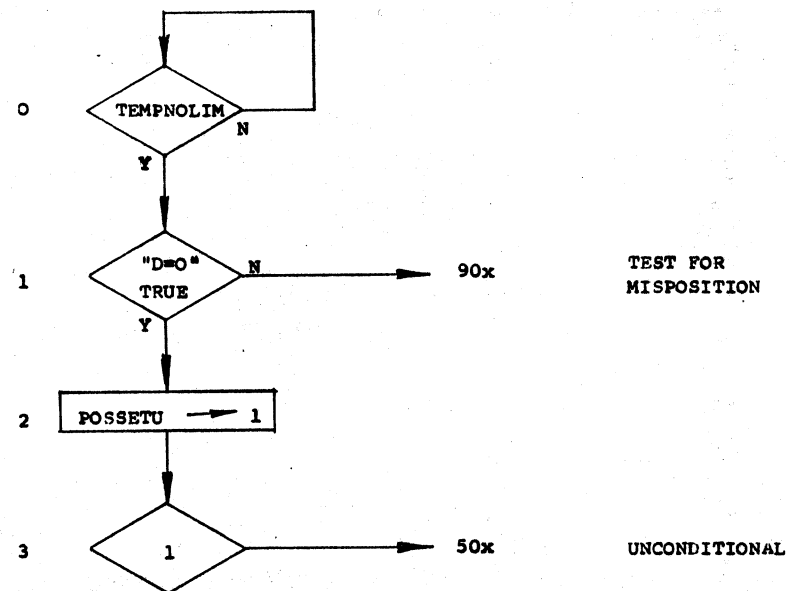
<b>Burroughs Corporation</b> <small>WESTLAKE PLANT WESTLAKE VILLAGE, CALIF. 91360 U.S. AMERICA</small>	PREP <i>CEL</i>	PROJ	A2162 4226 E
	CHKD	APPD	PAGE 25 of 75
<small>PROPRIETARY TO BURROUGHS. NOT TO BE REPRODUCED OR USED FOR MANUFACTURING PURPOSES EXCEPT ON BURROUGHS ORDER OR PRIOR WRITTEN CONSENT.</small>			TITLE <b>LOGIC FLOW CHART</b>

ABx POSITION UPPER (CON'T.)



<b>Burroughs Corporation</b> <small>WESTLAKE PLANT WESTLAKE VILLAGE, CALIF. 91360 U.S. AMERICA</small>	PREP <i>CEL</i>	PROJ	A2162 4226 E
	CHKD	APPD	PAGE 26 of 75
<small>PROPRIETARY TO BURROUGHS. NOT TO BE REPRODUCED OR USED FOR MANUFACTURING PURPOSES EXCEPT ON BURROUGHS ORDER OR PRIOR WRITTEN CONSENT.</small>			TITLE <b>LOGIC FLOW CHART</b>

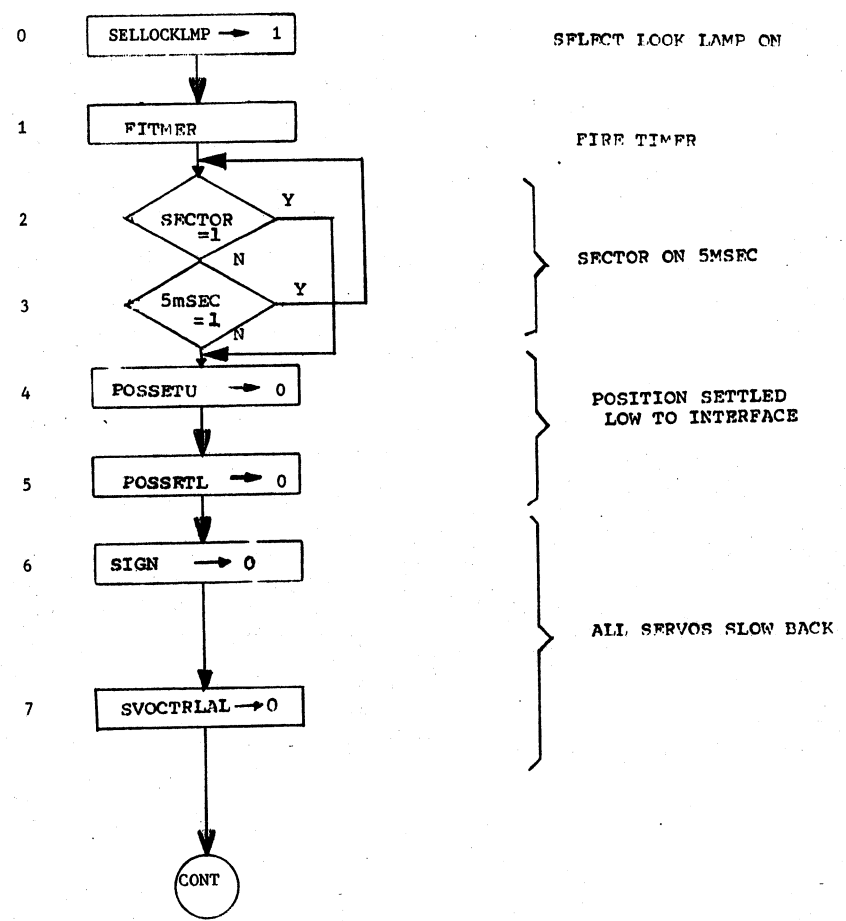
BOx POSITION UPPER (CON'T)





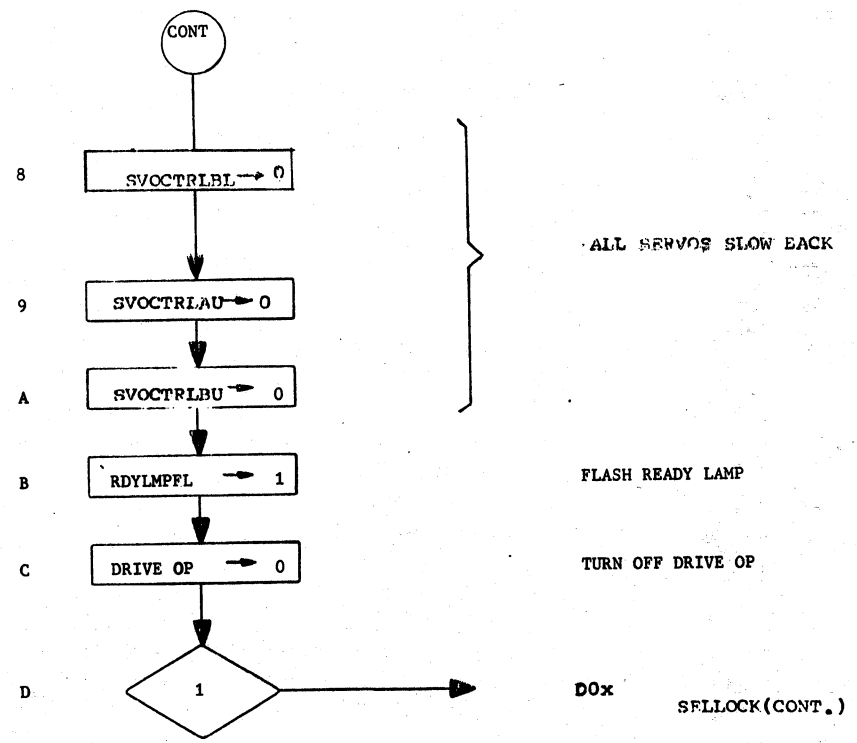
<b>Burroughs Corporation</b> DISK PACK PRODUCTS WESTLAKE VILLAGE, CALIF. 91380 WESTLAKE PLANT U.S. AMERICA	PREP	PROJ	A2162 4226	E
	CHKD	APPD	PAGE 27 of 75	
PROPRIETARY TO BURROUGHS. NOT TO BE REPRODUCED OR USED FOR MANUFACTURING PURPOSES EXCEPT ON BURROUGHS ORDER OR PRIOR WRITTEN CONSENT.			TITLE <b>LOGIC FLOW CHART</b>	

CO SELECT LOCK



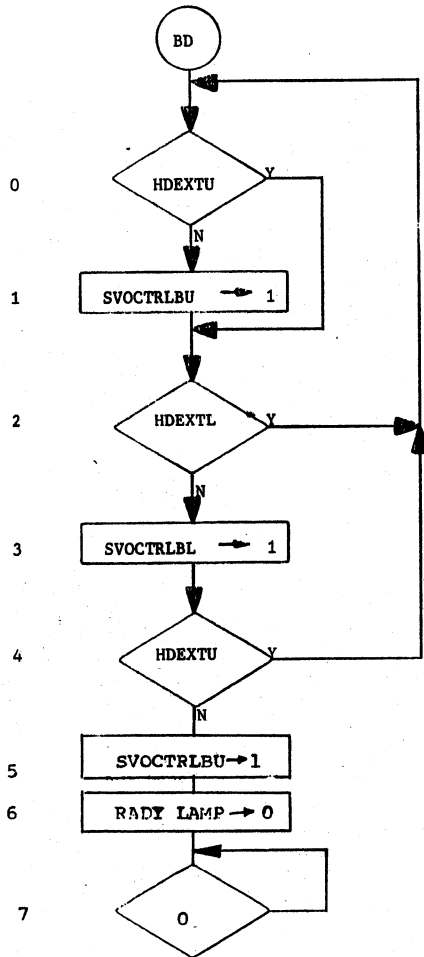
<b>Burroughs Corporation</b> DISK PACK PRODUCTS WESTLAKE VILLAGE, CALIF. 91380 WESTLAKE PLANT U.S. AMERICA	PREP	PROJ	A2162 4226	E
	CHKD	APPD	PAGE 28 of 75	
PROPRIETARY TO BURROUGHS. NOT TO BE REPRODUCED OR USED FOR MANUFACTURING PURPOSES EXCEPT ON BURROUGHS ORDER OR PRIOR WRITTEN CONSENT.			TITLE <b>LOGIC FLOW CHART</b>	

C8x SELECT LOCK (CONT.)



<b>Burroughs Corporation</b> DISK PACK PRODUCTS WESTLAKE PLANT WESTLAKE VILLAGE, CALIF. 91360 U.S. AMERICA	PREP	PROJ	A21624226	E
	CHKD	APPD	PAGE 29 OF 75	
PROPRIETARY TO BURROUGHS. NOT TO BE REPRODUCED OR USED FOR MANUFACTURING PURPOSES EXCEPT ON BURROUGHS ORDER OR PRIOR WRITTEN CONSENT.		TITLE <b>LOGIC FLOW CHART</b>		

DOX SELECT LOCK (CON'T.),



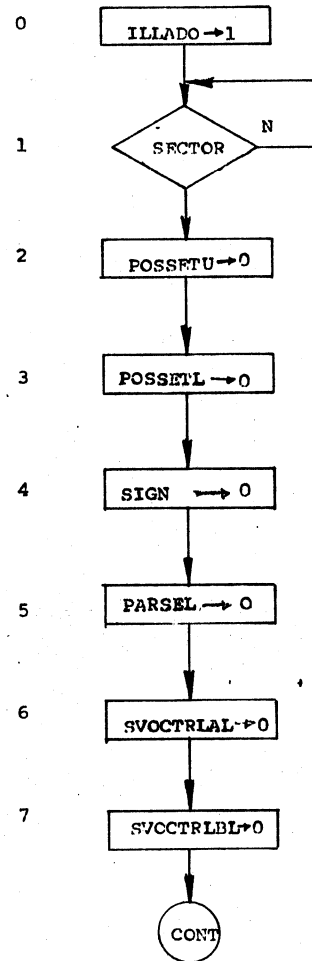
WAIT FOR SERVOS TO  
COME HOME AND THEN  
PUT EACH IN HOLD AS  
IT ARRIVES

TURN OFF READY LAMP

STOP

<b>Burroughs Corporation</b> WESTLAKE PLANT WESTLAKE VILLAGE, CALIF. 91360 U.S. AMERICA	PREP	PROJ	A21624226	E
	CHKD	APPD	PAGE 30 OF 75	
PROPRIETARY TO BURROUGHS. NOT TO BE REPRODUCED OR USED FOR MANUFACTURING PURPOSES EXCEPT ON BURROUGHS ORDER OR PRIOR WRITTEN CONSENT.		TITLE <b>LOGIC FLOW CHART</b>		

BOX ILLEGAL ADDRESS



SET ILLEGAL ADDRESS FLAG  
TO CONTROL

WAIT FOR SECTOR

POSITIONER SETTLED  
OFF TO CONTROL

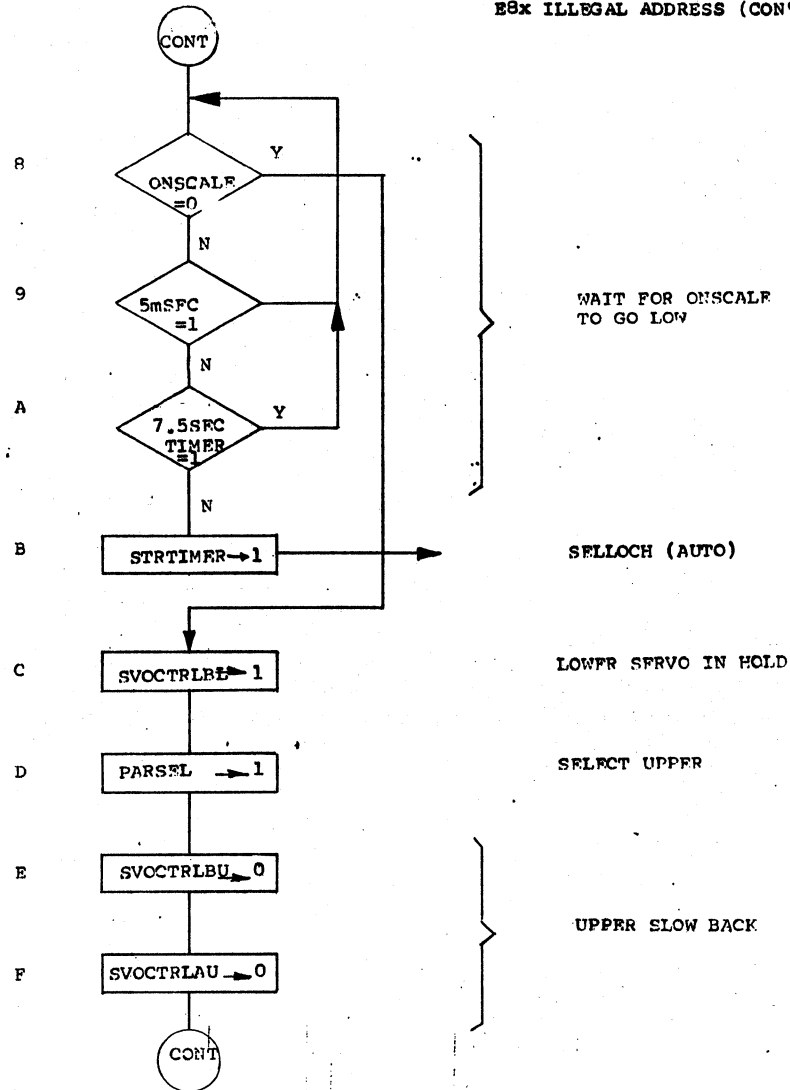
SIGN GOES LOW

SELECT LOWER

LOWER SLOW BACK-WARDS

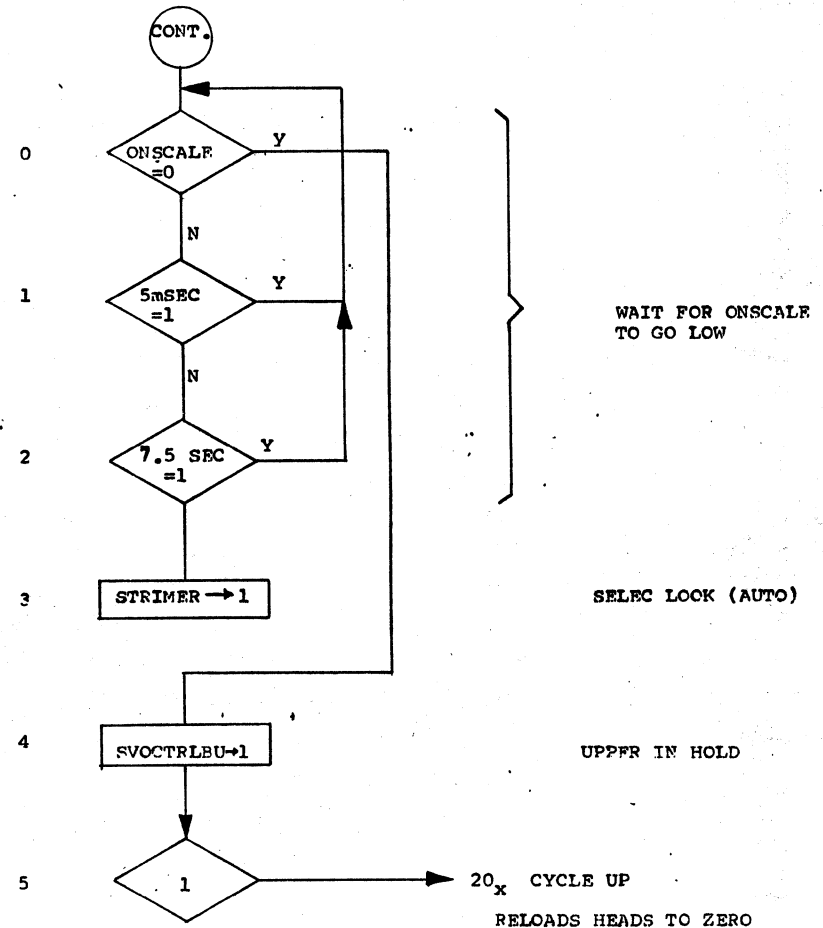
<b>Burroughs Corporation</b> <small>WESTLAKE PLANT WESTLAKE VILLAGE, CALIF. 91360 U.S. AMERICA</small>	PREP	PROJ	A2162 4226	E
	<small>CHKD</small> <i>NAFew 10/12/76</i>	APPD		PAGE 31 OF 75
<small>PROPRIETARY TO BURROUGHS. NOT TO BE REPRODUCED OR USED FOR MANUFACTURING PURPOSES EXCEPT ON BURROUGHS ORDER OR PRIOR WRITTEN CONSENT.</small>				
TITLE <b>LOGIC FLOW CHART</b>				

ESX ILLEGAL ADDRESS (CON'T.)

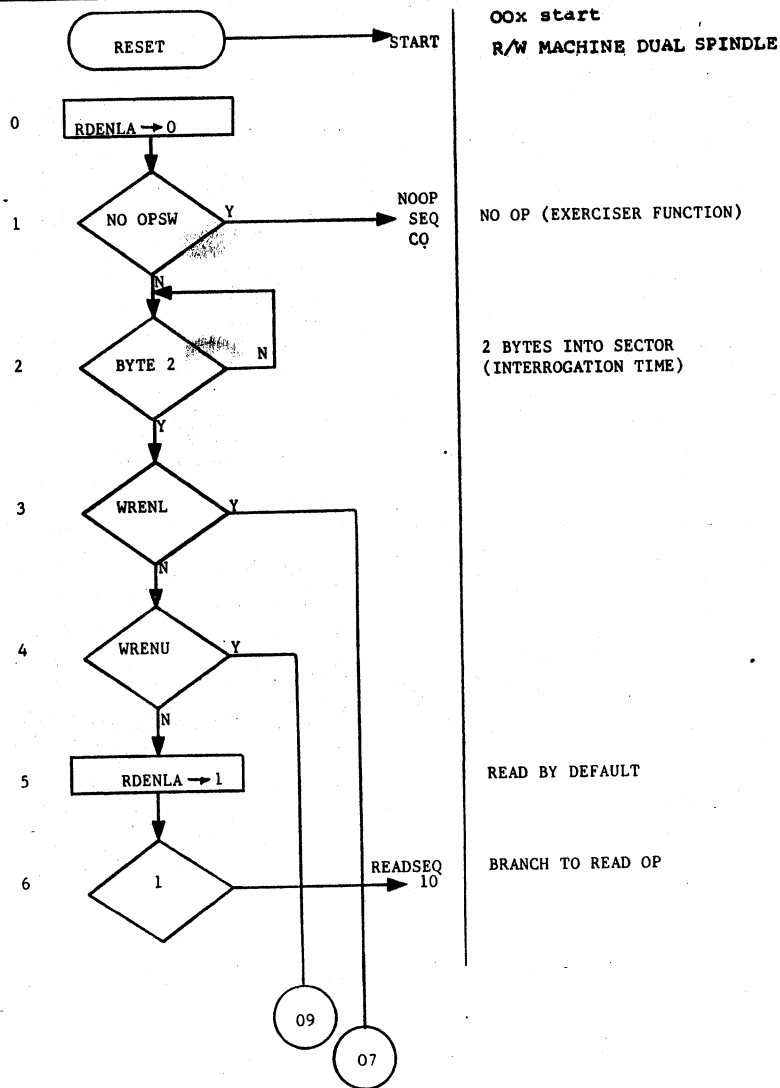


<b>Burroughs Corporation</b> <small>WESTLAKE PLANT WESTLAKE VILLAGE, CALIF. 91360 U.S. AMERICA</small>	PREP	PROJ	A2162 4226	E
	<small>CHKD</small> <i>NAFew 10/12/76</i>	APPD		PAGE 32 OF 75
<small>PROPRIETARY TO BURROUGHS. NOT TO BE REPRODUCED OR USED FOR MANUFACTURING PURPOSES EXCEPT ON BURROUGHS ORDER OR PRIOR WRITTEN CONSENT.</small>				
TITLE <b>LOGIC FLOW CHART</b>				

FOX ILLEGAL ADDRESS (CON'T.)

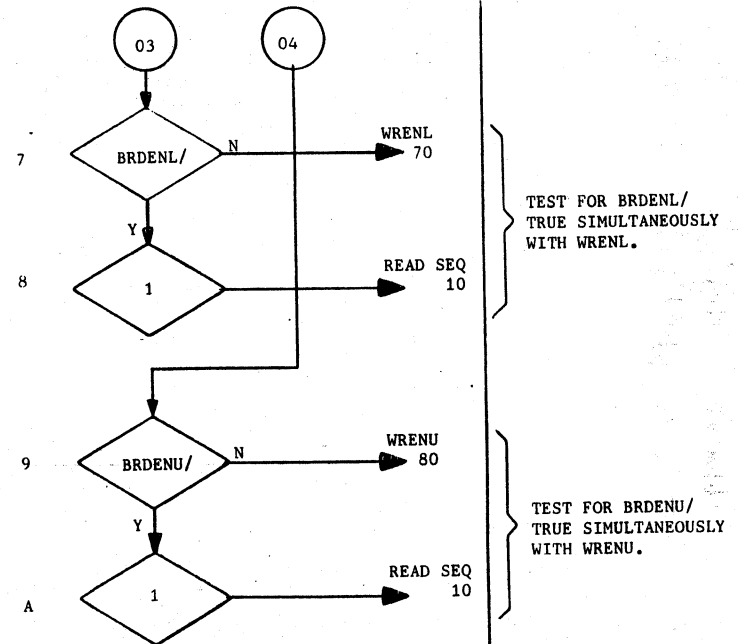


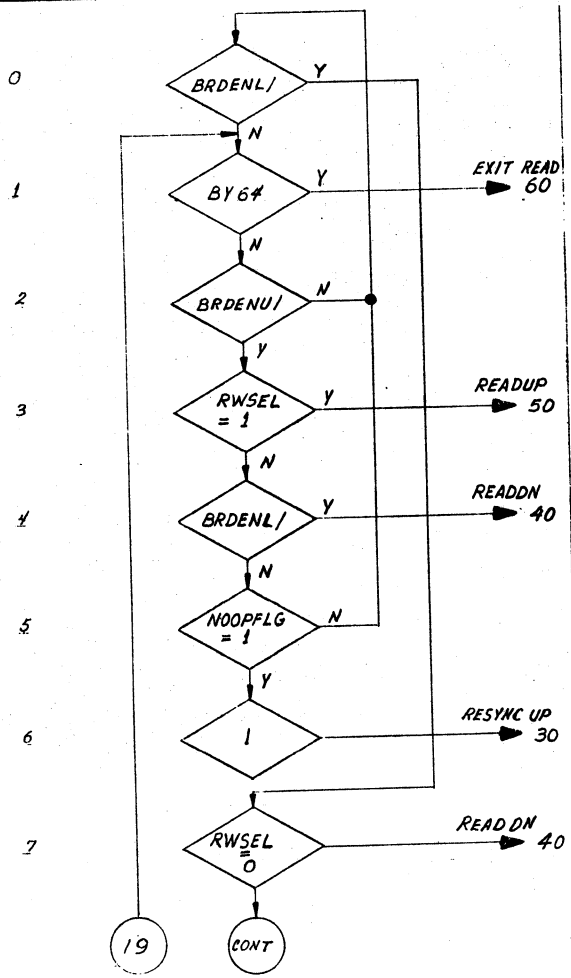
<b>Burroughs Corporation</b> WESTLAKE PLANT WESTLAKE VILLAGE, CALIF. 91360 U.S. AMERICA	PREP	PROJ	A-2162 4226	E
	CHKD <i>M. Tew 11/2/76</i>	APPD	PAGE 33 OF 75	
PROPRIETARY TO BURROUGHS. NOT TO BE REPRODUCED OR USED FOR MANUFACTURING PURPOSES EXCEPT ON BURROUGHS ORDER OR PRIOR WRITTEN CONSENT.			TITLE <b>LOGIC FLOW CHART</b>	



<b>Burroughs Corporation</b> WESTLAKE PLANT WESTLAKE VILLAGE, CALIF. 91360 U.S. AMERICA	PREP	PROJ	A-2162 4226	E
	CHKD	APPD	PAGE 34 OF 75	
PROPRIETARY TO BURROUGHS CORPORATION — NOT TO BE REPRODUCED NOR USED FOR MANUFACTURING PURPOSES EXCEPT ON BURROUGHS ORDER OR PRIOR WRITTEN CONSENT.			TITLE <b>LOGIC FLOW CHART</b>	

07x START (CON'T.)



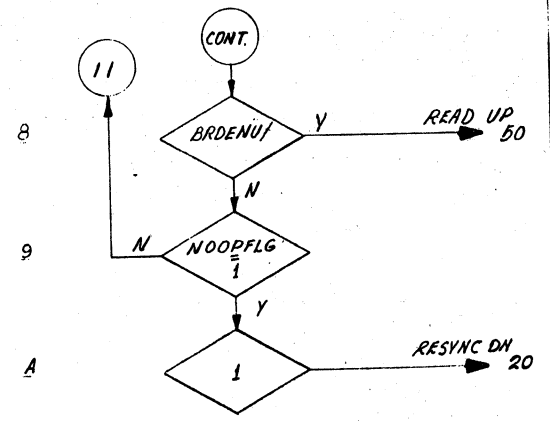


**IOREAD SEG. (DEFAULT)**

TEST FOR READ ENABLES ON I/O CABLE. IF NONE, EXIT AT BYTE 48 IN SECTOR (SIGNAL NAME "BY64")

BRDENU/=0 IS RWSEL CORRECT? IF YES GO TO READ OP. DN. UPPER (RWSEL = 1 FOR UPPER = 0 FOR LOWER SPINDEL)


IF RWSEL IS 1 IS BRDENL/ ACTIVE? IF YES READ LOWER IF NO TEST NOOPFLG. IF YES CHANGE SPINDLES. "RESYNC UP" IS ROUTINE.



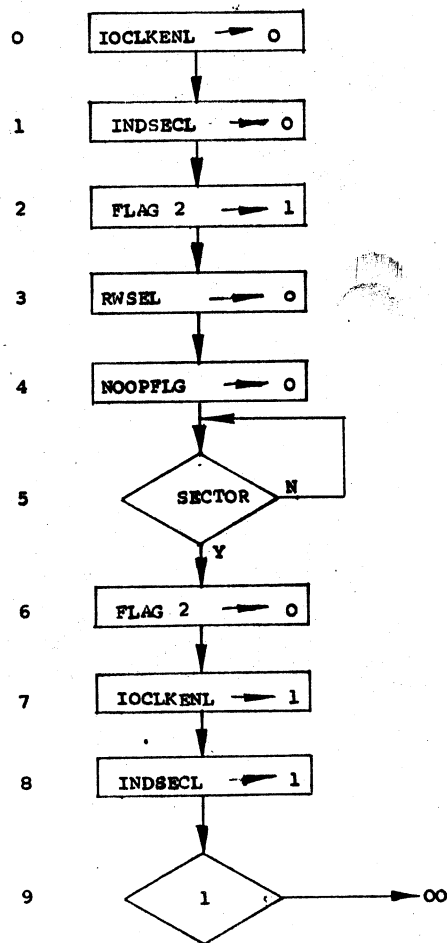
**18 READ SEG. (CON'T.)**

BRDENL/=0 IS RWSEL CORRECT? IF NOT, IS BRDENU/ SET? IF NOT IS NO OP FLAG SET? IF RWSEL IS CORRECT READ LOWER SPINDLES. IF NOT AND NO OP FLAG IS SET THEN CHANGE SPINDLES. "RESYNC DN" IS ROUTINE.

GO TO "RESYNC" ROUTINE

<b>Burroughs Corporation</b>  WESTLAKE PLANT WESTLAKE VILLAGE, CALIF. 91360 U.S. AMERICA	PREP <i>CEL</i>	PROJ	A 2162 4226 K
	CHKD	APPD	PAGE 37 of 75
PROPRIETARY TO BURROUGHS. NOT TO BE REPRODUCED OR USED FOR MANUFACTURING PURPOSES EXCEPT ON BURROUGHS ORDER OR PRIOR WRITTEN CONSENT.		TITLE <b>LOGIC FLOW CHART</b>	

20x RESYNC DN



DISABLE LOWER INTERFACE

SET FLAG 2


SWITCH SPINDLE SELECT

TURN OFF NOOPFLAG

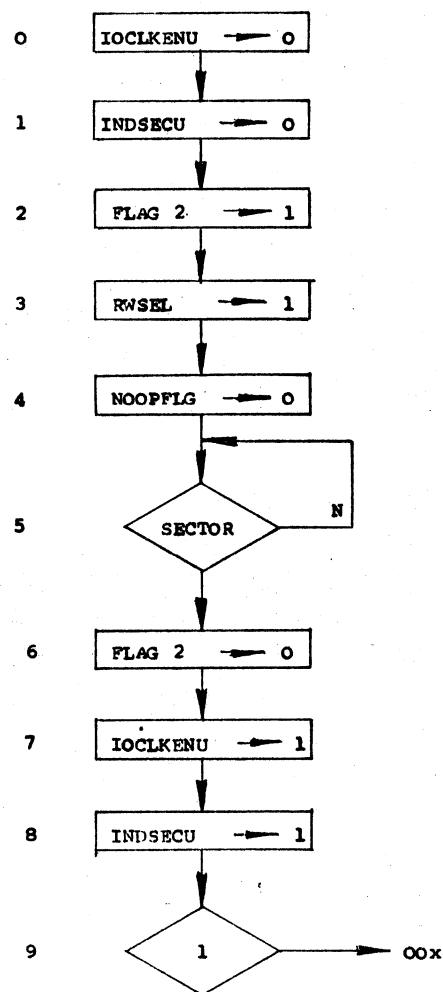
WAIT FOR SECTOR

RESET FLAG 2

REENABLE INTERFACE  
 IO CLOCK FIRST TO  
 AVOID LETTING TRAILING  
 EDGE OF SECTOR TO GET OUT.  
 GO BACK TO START

<b>Burroughs Corporation</b>  WESTLAKE PLANT WESTLAKE VILLAGE, CALIF. 91360 U.S. AMERICA	PREP <i>CEL</i>	PROJ	A 2162 4226 K
	CHKD	APPD	PAGE 38 of 75
PROPRIETARY TO BURROUGHS. NOT TO BE REPRODUCED OR USED FOR MANUFACTURING PURPOSES EXCEPT ON BURROUGHS ORDER OR PRIOR WRITTEN CONSENT.		TITLE <b>LOGIC FLOW CHART</b>	

30x RESYNCUP



DISABLE UPPER SPINDLE

SELECT UPPER SPINDLE

TURN OFF NOOPFLG

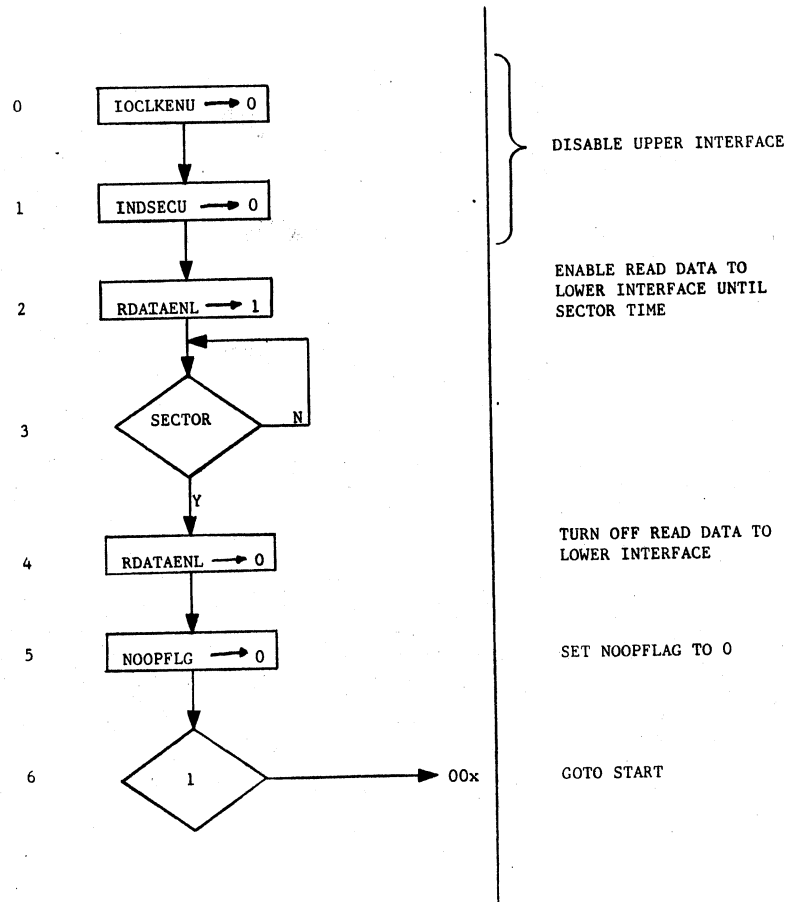
WAIT FOR SECTOR

REENABLE INTERFACE  
 IOCLK FIRST TO AVOID  
 LETTING TRAILING EDGE OF  
 SECTOR TO GET OUT

GO BACK TO START

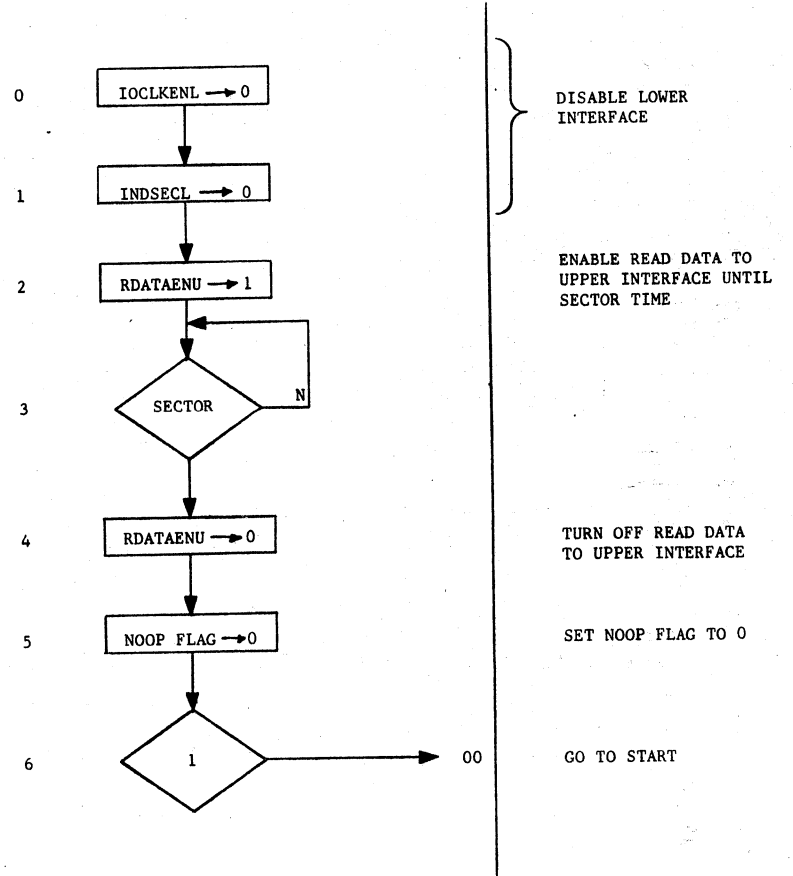
<b>Burroughs Corporation</b> <small>WESTLAKE PLANT WESTLAKE VILLAGE, CALIF. 91360 U.S. AMERICA</small>	PREP	PROJ	A 2162 4226 E
	CHKD	APPD	PAGE 39 OF 75
<small>PROPRIETARY TO BURROUGHS. NOT TO BE REPRODUCED OR USED FOR MANUFACTURING PURPOSES EXCEPT ON BURROUGHS ORDER OR PRIOR WRITTEN CONSENT.</small>			TITLE <b>LOGIC FLOW CHART</b>

40x READ DN

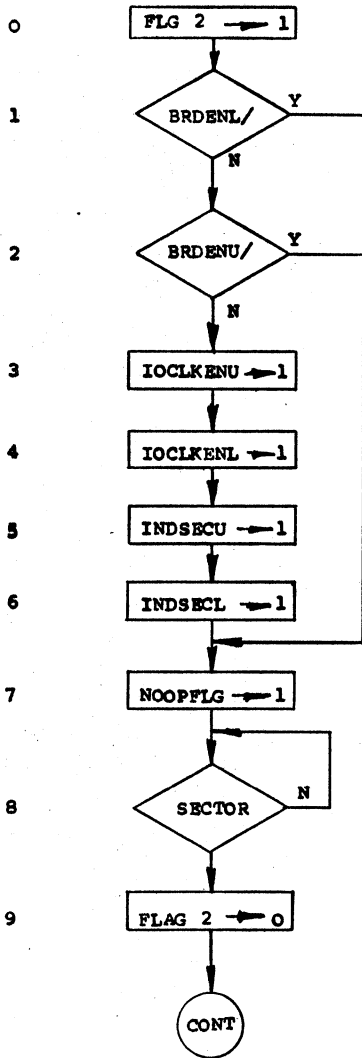


<b>Burroughs Corporation</b> <small>WESTLAKE PLANT WESTLAKE VILLAGE, CALIF. 91360 U.S. AMERICA</small>	PREP	PROJ	A 2162 4226 E
	CHKD	APPD	PAGE 40 OF 75
<small>PROPRIETARY TO BURROUGHS. NOT TO BE REPRODUCED OR USED FOR MANUFACTURING PURPOSES EXCEPT ON BURROUGHS ORDER OR PRIOR WRITTEN CONSENT.</small>			TITLE <b>LOGIC FLOW CHART</b>

50x READUP

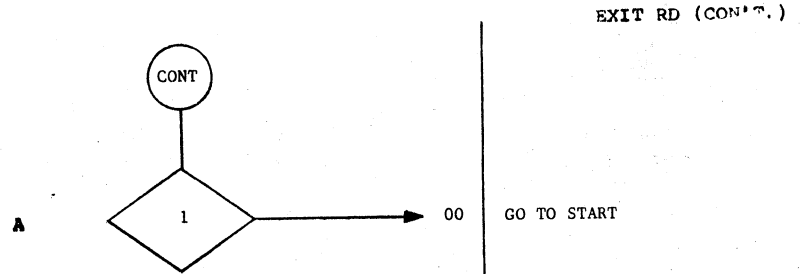


<b>Burroughs Corporation</b> <small>WESTLAKE PLANT WESTLAKE VILLAGE, CALIF. 91360 U.S. AMERICA</small>	PREP <i>CEL</i>	PROJ	A 2162 4226 <i>K</i>
	CHKD	APPD	PAGE 41 of 75
<small>PROPRIETARY TO BURROUGHS. NOT TO BE REPRODUCED OR USED FOR MANUFACTURING PURPOSES EXCEPT ON BURROUGHS ORDER OR PRIOR WRITTEN CONSENT.</small>			TITLE <b>LOGIC FLOW CHART</b>



IF THERE IS STILL A READ INSTRUCTION AT THE INTERFACE (TO THE UNSELECTED SPINDLE) SET NOOPFLAG AND GO TO START. OTHERWISE ENABLE BOTH INTERFACES FIRST BEFORE GOING TO START.

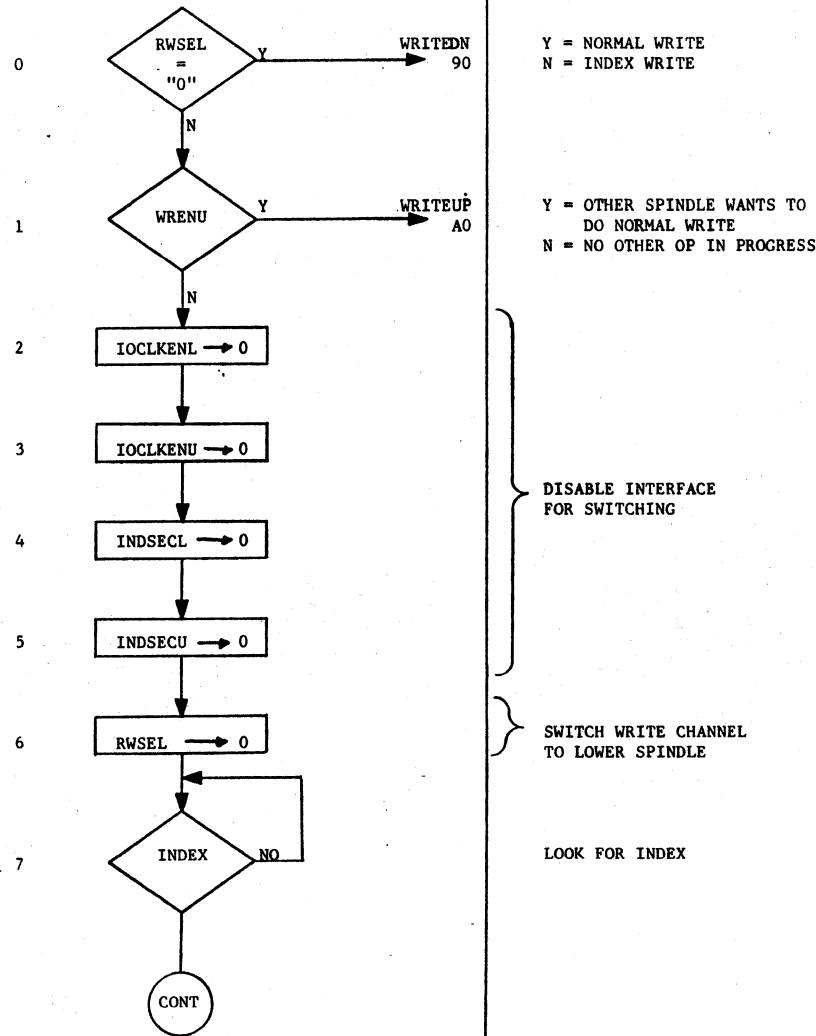
<b>Burroughs Corporation</b> <small>WESTLAKE PLANT WESTLAKE VILLAGE, CALIF. 91360 U.S. AMERICA</small>	PREP	PROJ	A 2162 4226 <i>K</i>
	CHKD	APPD	PAGE 42 of 75
<small>PROPRIETARY TO BURROUGHS. NOT TO BE REPRODUCED OR USED FOR MANUFACTURING PURPOSES EXCEPT ON BURROUGHS ORDER OR PRIOR WRITTEN CONSENT.</small>			TITLE <b>LOGIC FLOW CHART</b>





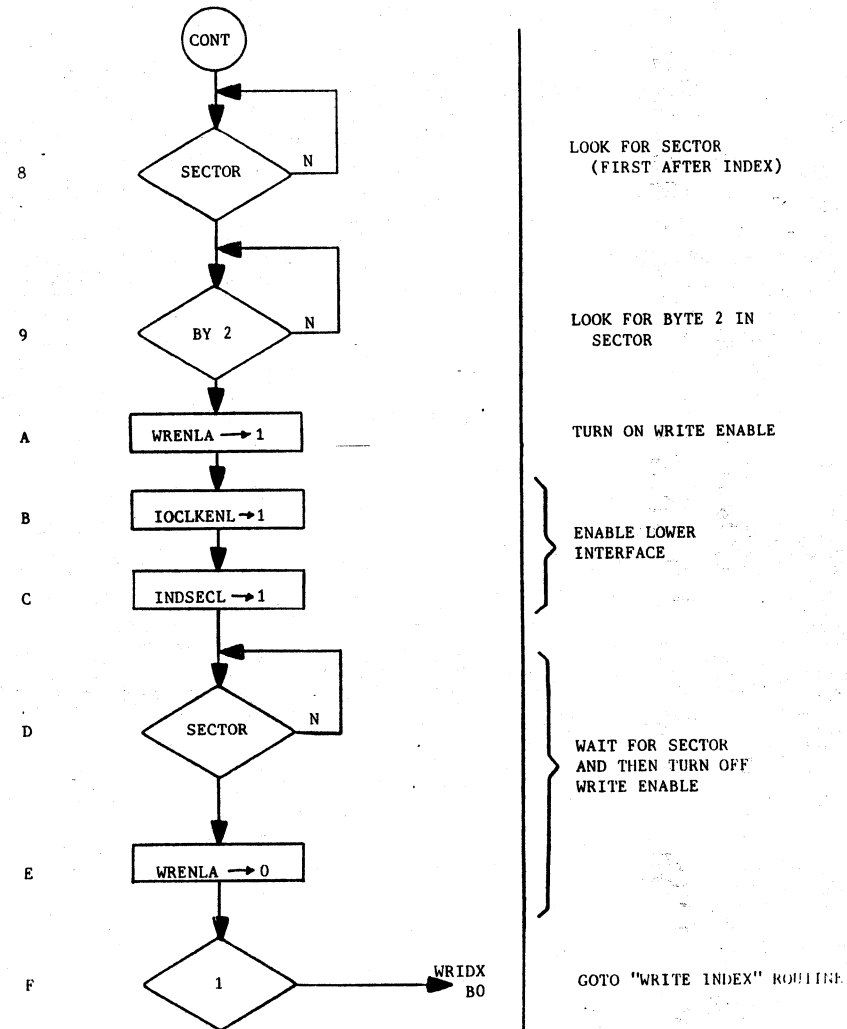
<b>Burroughs Corporation</b> <small>WESTLAKE PLANT WESTLAKE VILLAGE, CALIF. 91360 U.S. AMERICA</small>	PREP	PROJ	A2162 4226 E
	CHKD	APPD	PAGE 43 OF 75
<small>PROPRIETARY TO BURROUGHS. NOT TO BE REPRODUCED OR USED FOR MANUFACTURING PURPOSES EXCEPT ON BURROUGHS ORDER OR PRIOR WRITTEN CONSENT.</small>			TITLE <b>LOGIC FLOW CHART</b>

70 ( WRENL = 1 )



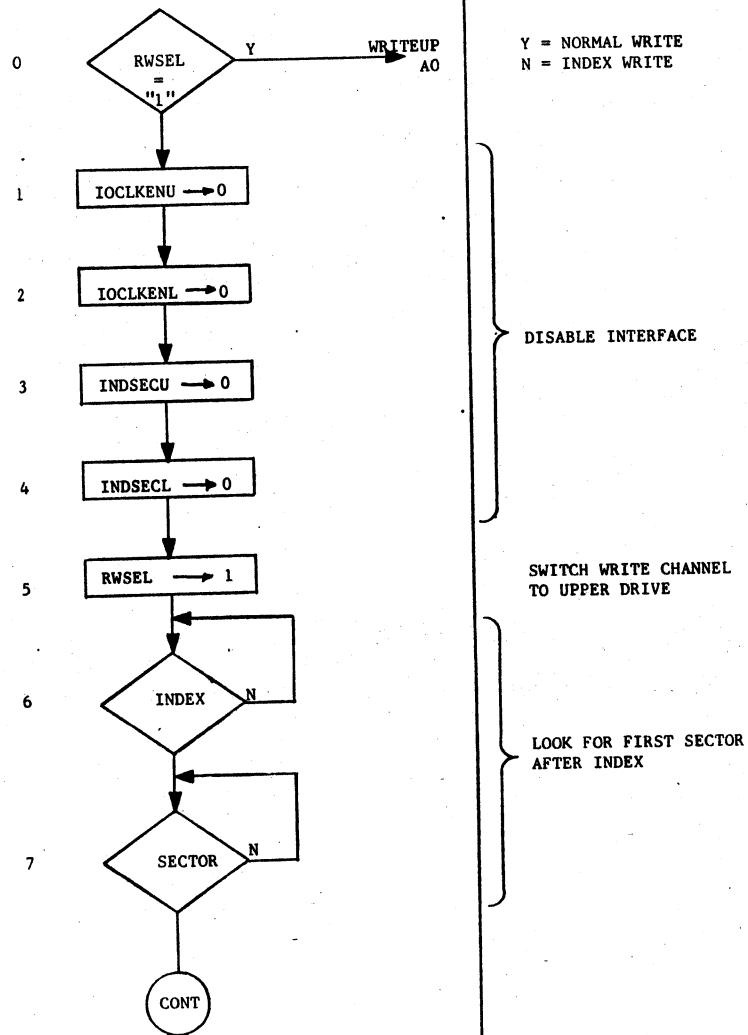
<b>Burroughs Corporation</b> <small>WESTLAKE PLANT WESTLAKE VILLAGE, CALIF. 91360 U.S. AMERICA</small>	PREP	PROJ	A-2162 4226 E
	CHKD	APPD	PAGE 44 OF 75
<small>PROPRIETARY TO BURROUGHS CORPORATION — NOT TO BE REPRODUCED NOR USED FOR MANUFACTURING PURPOSES EXCEPT ON BURROUGHS ORDER OR PRIOR WRITTEN CONSENT.</small>			TITLE <b>LOGIC FLOW CHART</b>

78x ( WRENL = 1 ) (con't)



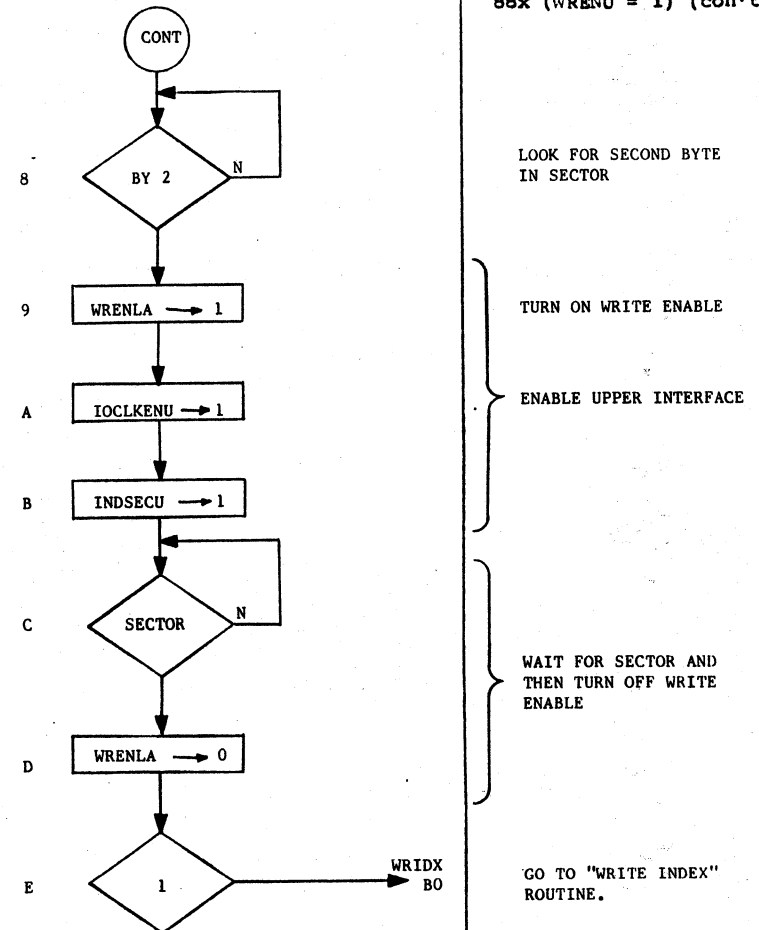
<b>Burroughs Corporation</b> <small>WESTLAKE PLANT WESTLAKE VILLAGE, CALIF. 91360 U.S. AMERICA</small>	PREP	PROJ	A2162 4226
	CHKD	APPD	PAGE 45 OF 75
<small>PROPRIETARY TO BURROUGHS. NOT TO BE REPRODUCED OR USED FOR MANUFACTURING PURPOSES EXCEPT ON BURROUGHS ORDER OR PRIOR WRITTEN CONSENT.</small>			TITLE <b>LOGIC FLOW CHART</b>

80x (WRENU = 1)

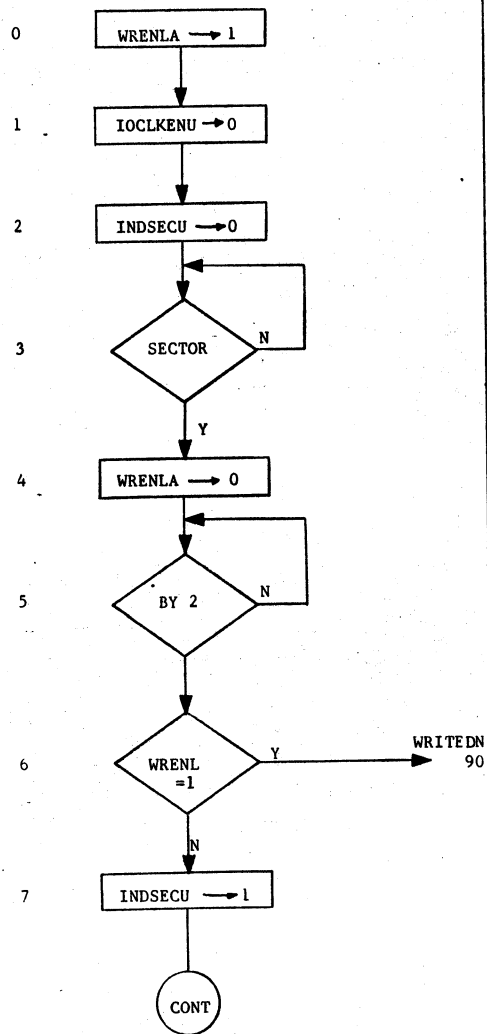


<b>Burroughs Corporation</b> <small>WESTLAKE PLANT WESTLAKE VILLAGE, CALIF. 91360 U.S. AMERICA</small>	PREP	PROJ	A2162 4226
	CHKD	APPD	PAGE 46 OF 75
<small>PROPRIETARY TO BURROUGHS. NOT TO BE REPRODUCED OR USED FOR MANUFACTURING PURPOSES EXCEPT ON BURROUGHS ORDER OR PRIOR WRITTEN CONSENT.</small>			TITLE <b>LOGIC FLOW CHART</b>

88x (WRENU = 1) (cont)



<b>Burroughs Corporation</b> <small>WESTLAKE PLANT WESTLAKE VILLAGE, CALIF. 91360 U.S. AMERICA</small>	PREP	PROJ	A 2162 4226 E
	CHKD	APPD	PAGE 47 OF 75
<small>PROPRIETARY TO BURROUGHS. NOT TO BE REPRODUCED OR USED FOR MANUFACTURING PURPOSES EXCEPT ON BURROUGHS ORDER OR PRIOR WRITTEN CONSENT.</small>		TITLE <b>LOGIC FLOW CHART</b>	



90x (WRITEDN)

TURN ON WRITE ENABLE TO DRIVE (LOWER)

DISABLE UPPER SPINDLE INTERFACE

WAIT FOR SECTOR

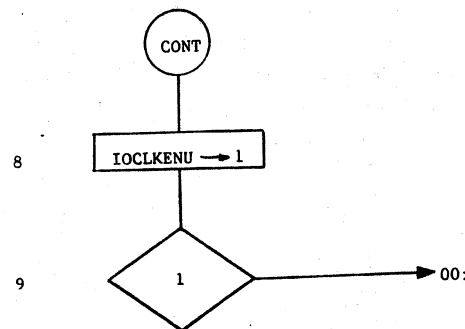
TURN OFF WRITE ENABLE

WAIT FOR BYTE 2

Y = WRITE NEXT SECTOR  
N = EXIT BACK TO START

ENABLE SECTORS TO UPPER INTERFACE

<b>Burroughs Corporation</b> <small>WESTLAKE PLANT WESTLAKE VILLAGE, CALIF. 91360 U.S. AMERICA</small>	PREP	PROJ	A 2162 4226 E
	CHKD	APPD	PAGE 48 OF 75
<small>PROPRIETARY TO BURROUGHS. NOT TO BE REPRODUCED OR USED FOR MANUFACTURING PURPOSES EXCEPT ON BURROUGHS ORDER OR PRIOR WRITTEN CONSENT.</small>		TITLE <b>LOGIC FLOW CHART</b>	



98x (WRITEDN) (cont)

ENABLE CLOCKS TO LOWER INTERFACE

GO BACK TO START

63

PRINTED IN U.S. AMERICA

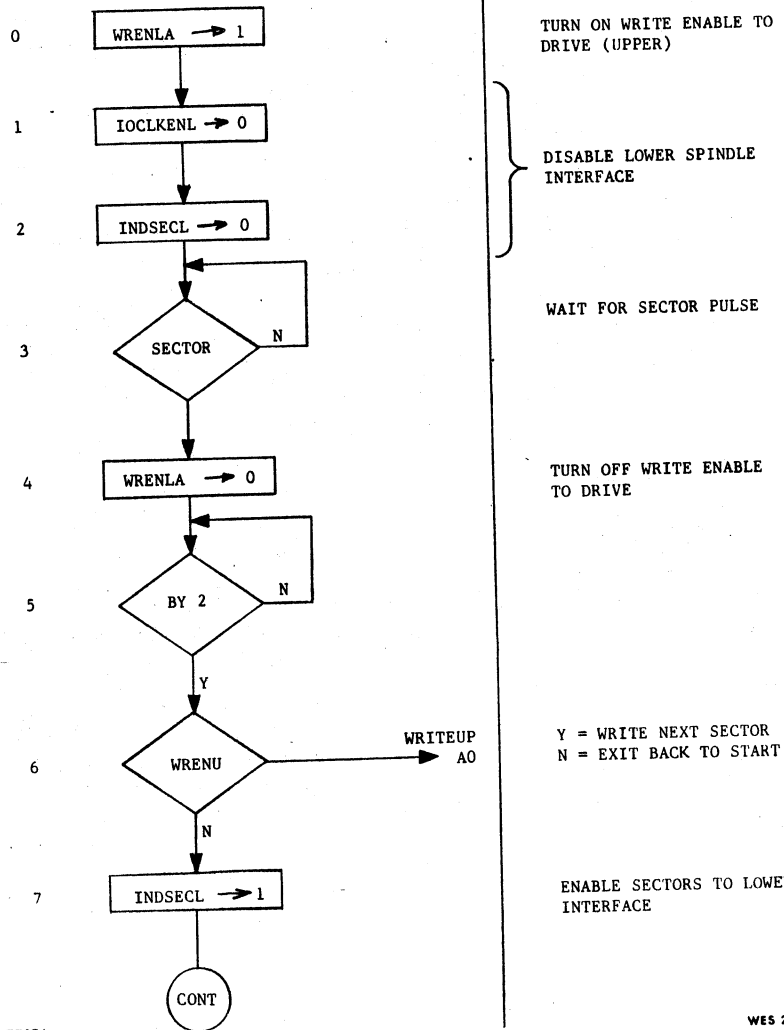
WES 2389 4-73

69

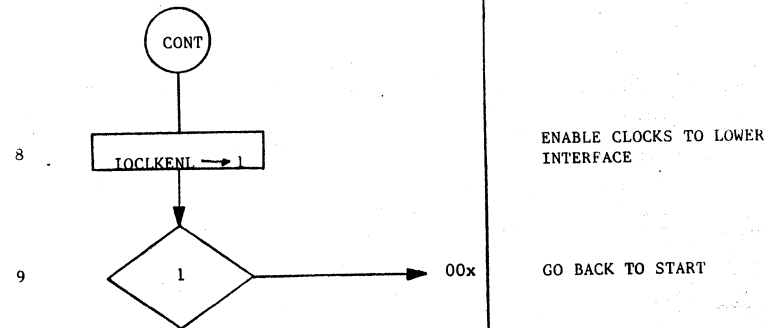
PRINTED IN U.S. AMERICA

WES 2389 4-73

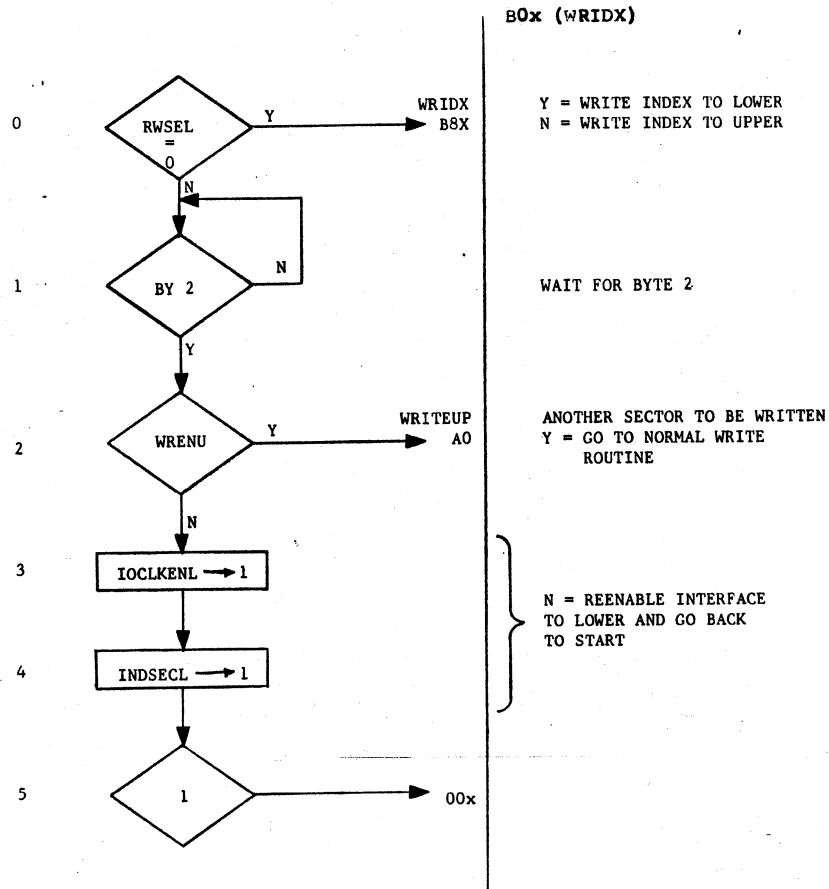
A0x (WRITE UP)



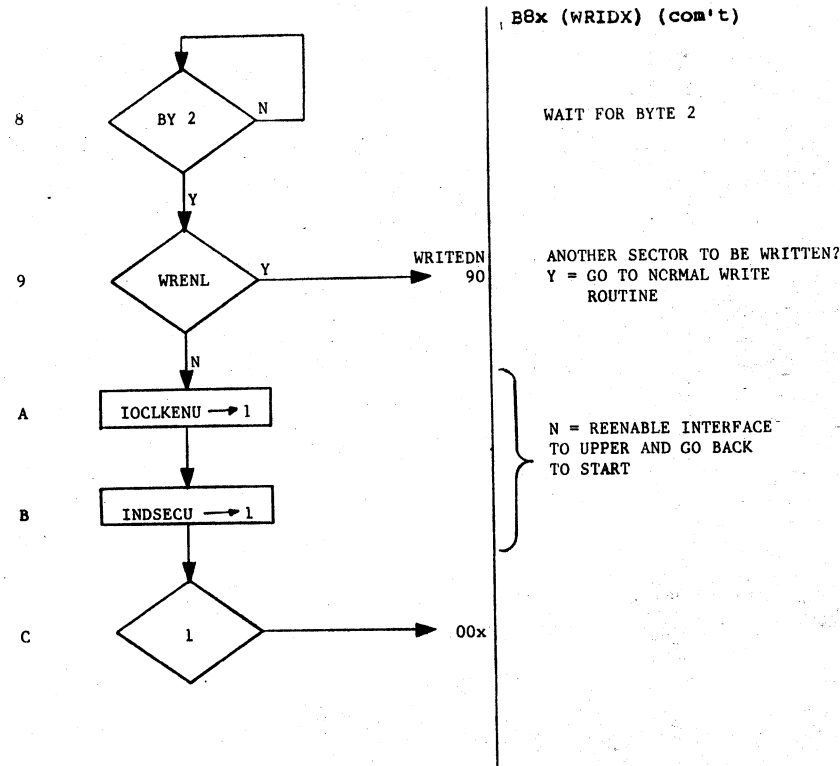
A8x (WRITE UP) (con't)



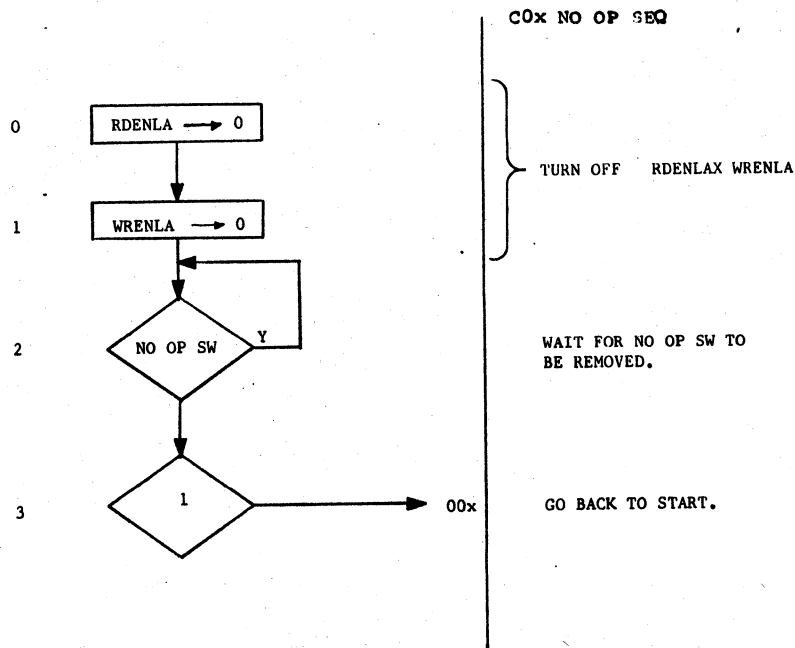
<b>Burroughs Corporation</b> <small>WESTLAKE PLANT WESTLAKE VILLAGE, CALIF. 91360 U.S. AMERICA</small>	PREP	PROJ	AZ162 4226 PAGE 51 of 75
	CHKD	APPD	
<small>PROPRIETARY TO BURROUGHS. NOT TO BE REPRODUCED OR USED FOR MANUFACTURING PURPOSES EXCEPT ON BURROUGHS ORDER OR PRIOR WRITTEN CONSENT.</small>		TITLE <b>LOGIC FLOW CHART</b>	



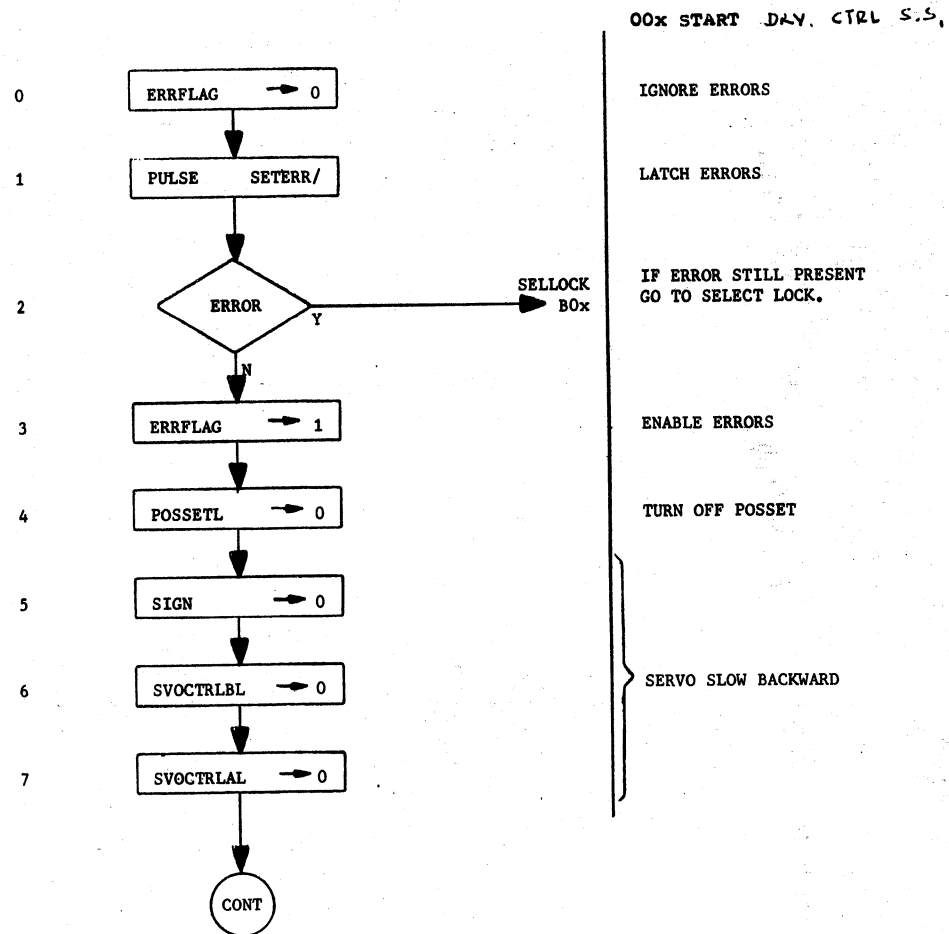
<b>Burroughs Corporation</b> <small>WESTLAKE PLANT WESTLAKE VILLAGE, CALIF. 91360 U.S. AMERICA</small>	PREP	PROJ	AZ162 4226 PAGE 52 of 75
	CHKD	APPD	
<small>PROPRIETARY TO BURROUGHS. NOT TO BE REPRODUCED OR USED FOR MANUFACTURING PURPOSES EXCEPT ON BURROUGHS ORDER OR PRIOR WRITTEN CONSENT.</small>		TITLE <b>LOGIC FLOW CHART</b>	



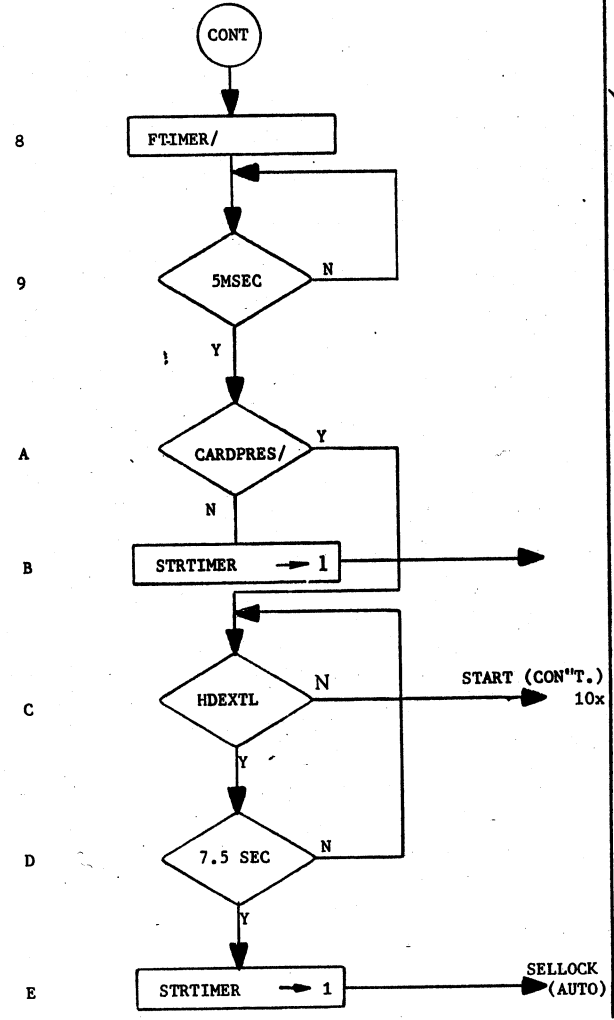
<b>Burroughs Corporation</b> <small>WESTLAKE PLANT WESTLAKE VILLAGE, CALIF. 91360 U.S. AMERICA</small>	PREP	PROJ	A 2162 4776 PAGE 53 of 75
	CHKD	APPD	
<small>PROPRIETARY TO BURROUGHS. NOT TO BE REPRODUCED OR USED FOR MANUFACTURING PURPOSES EXCEPT ON BURROUGHS ORDER OR PRIOR WRITTEN CONSENT.</small>			TITLE <b>LOGIC FLOW CHART</b>



<b>Burroughs Corporation</b> <small>DISK PACK PRODUCTS WESTLAKE VILLAGE, CALIF. 91360 U.S. AMERICA</small>	PREP	PROJ	A 2162 4776 PAGE 54 of 75
	CHKD	APPD	
<small>PROPRIETARY TO BURROUGHS. NOT TO BE REPRODUCED OR USED FOR MANUFACTURING PURPOSES EXCEPT ON BURROUGHS ORDER OR PRIOR WRITTEN CONSENT.</small>			TITLE <b>LOGIC FLOW CHART</b>

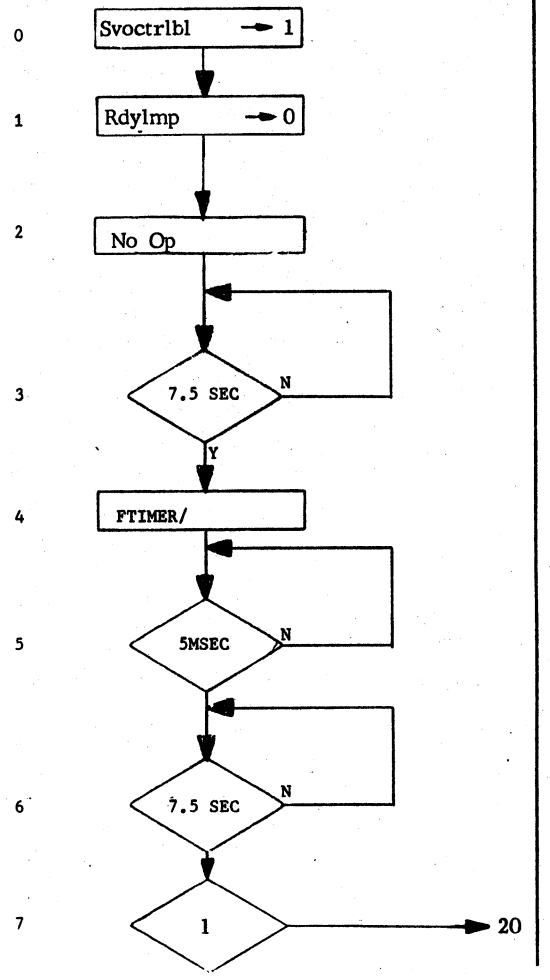


08x (con't)



WAIT FOR HEADS TO UNLOAD

10x START (con't)



Servo TO Hold

Ready lamp off

No op

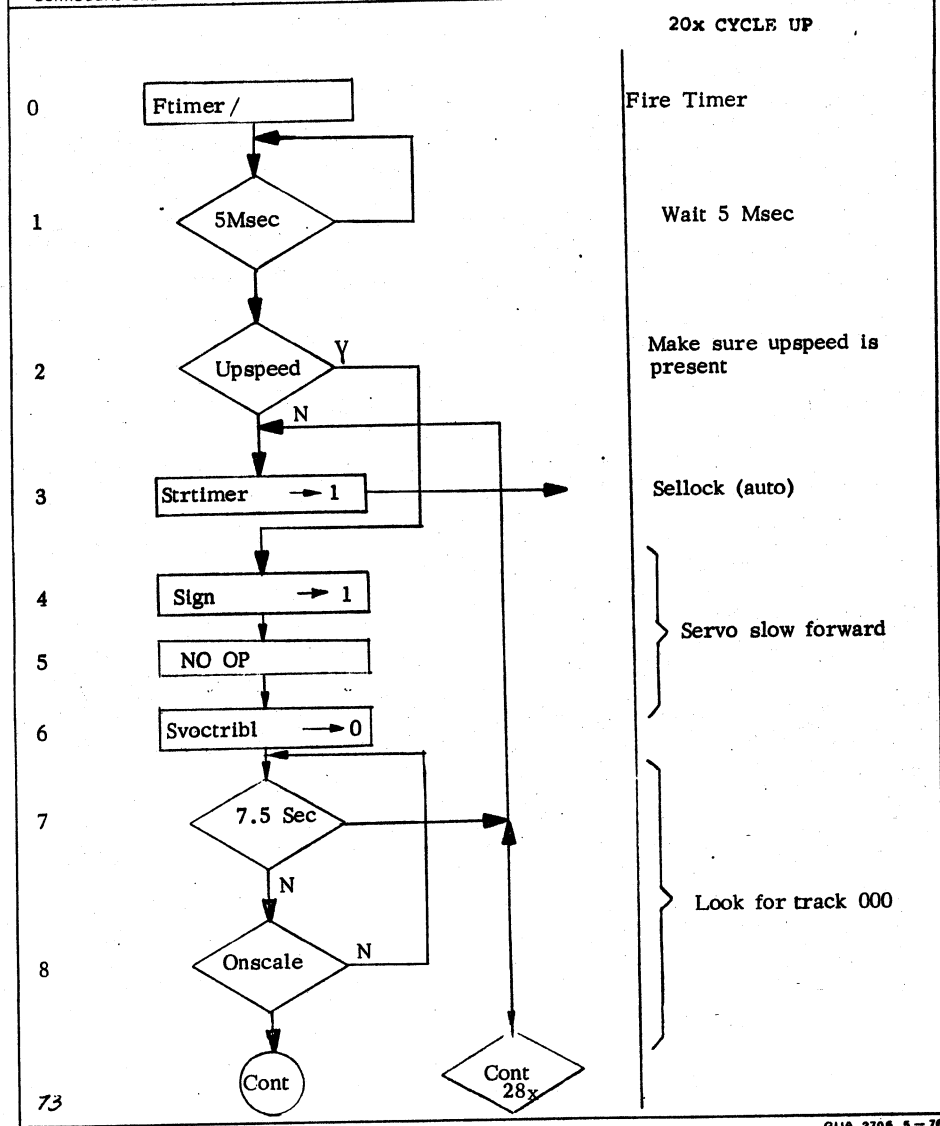
15 SECOND DELAY FOR UPSPEED

Cycle up.

72

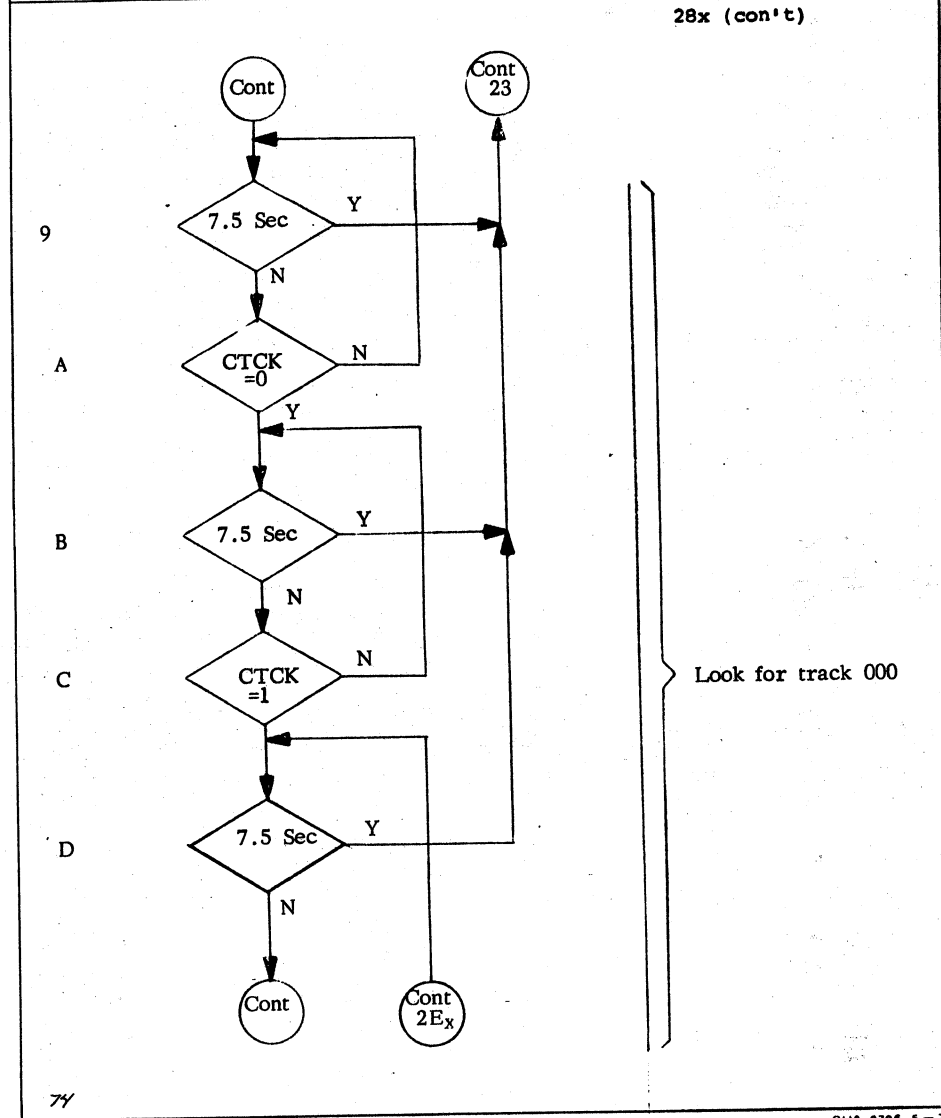
PROPRIETARY TO BURROUGHS CORPORATION. NOT TO BE REPRODUCED NOR USED FOR MANUFACTURING PURPOSES EXCEPT ON BURROUGHS ORDER OR PRIOR WRITTEN CONSENT.

TITLE **LOGIC FLOW CHART**



PROPRIETARY TO BURROUGHS CORPORATION. NOT TO BE REPRODUCED NOR USED FOR MANUFACTURING PURPOSES EXCEPT ON BURROUGHS ORDER OR PRIOR WRITTEN CONSENT.

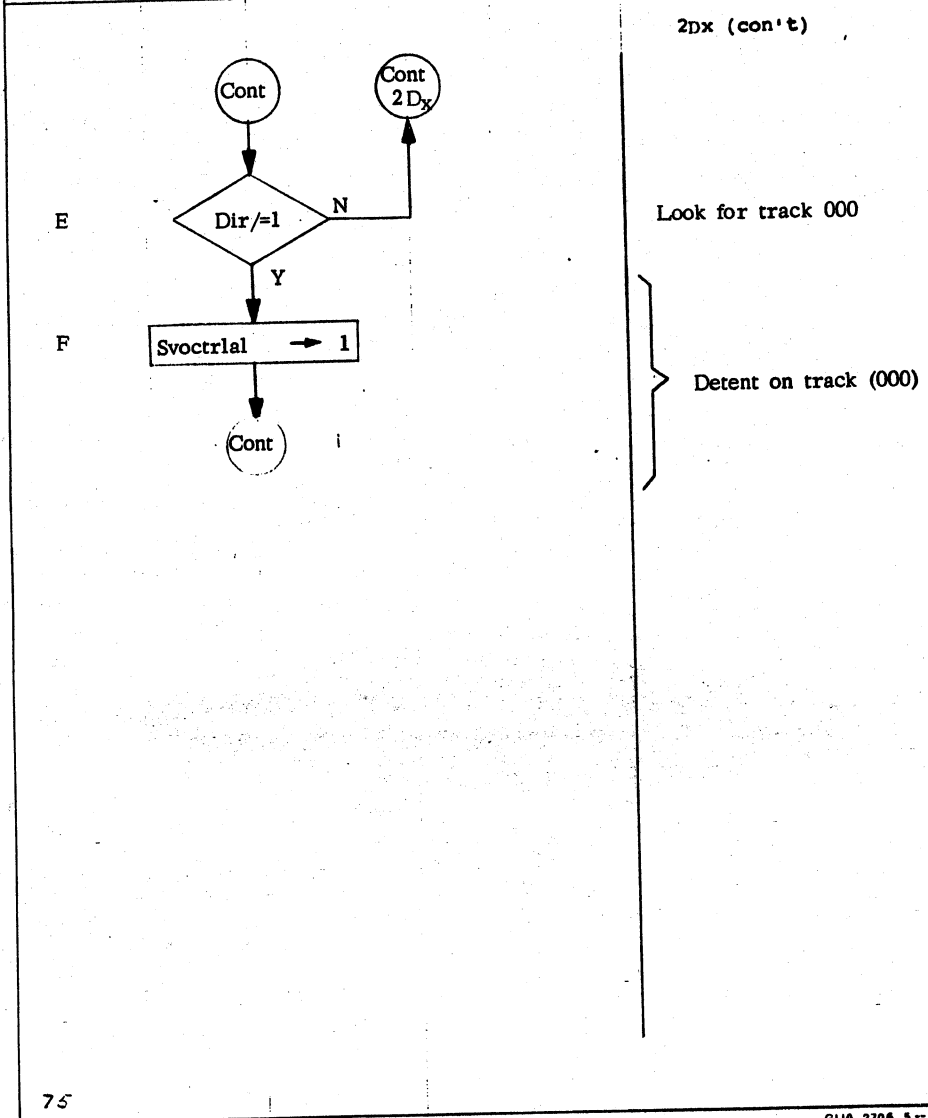
TITLE **LOGIC FLOW CHART**





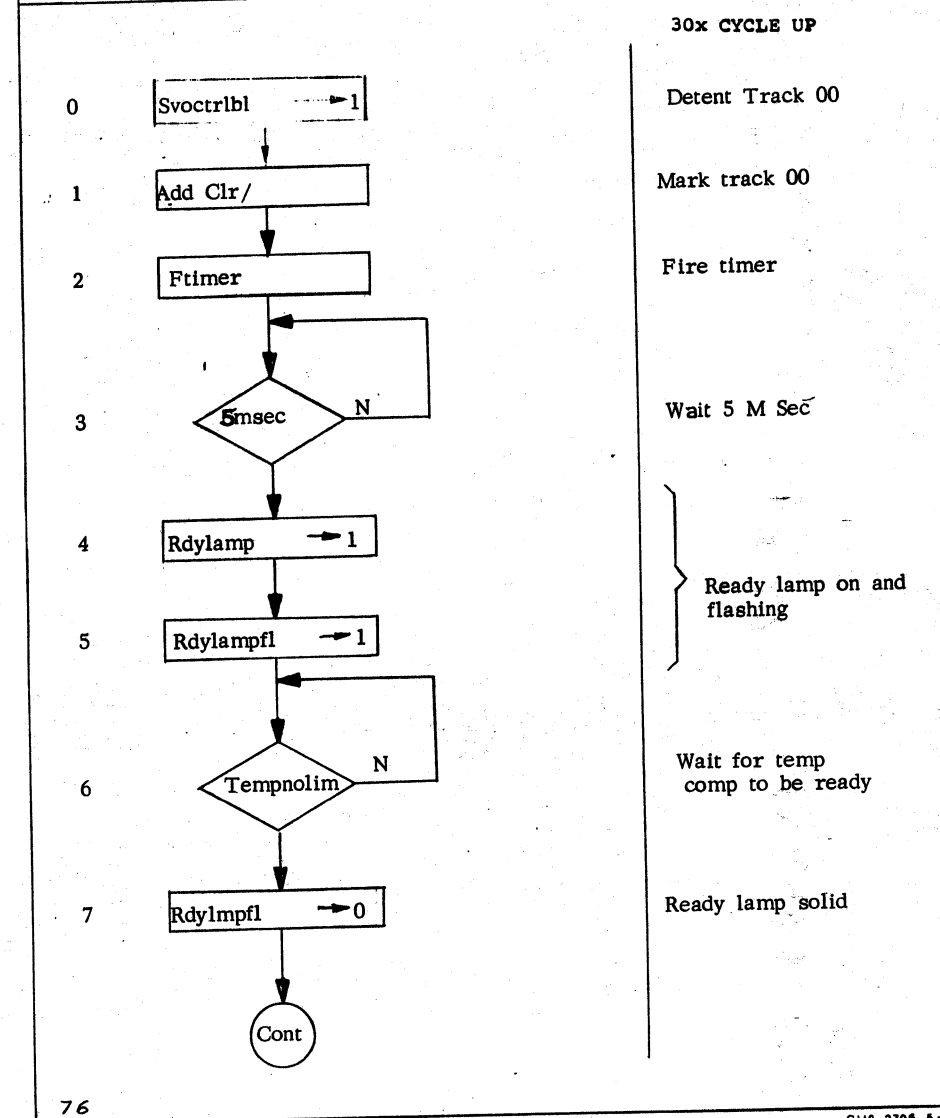
PROPRIETARY TO BURROUGHS CORPORATION. NOT TO BE REPRODUCED NOR USED FOR MANUFACTURING PURPOSES EXCEPT ON BURROUGHS ORDER OR PRIOR WRITTEN CONSENT.

TITLE **LOGIC FLOW CHART**



PROPRIETARY TO BURROUGHS CORPORATION. NOT TO BE REPRODUCED NOR USED FOR MANUFACTURING PURPOSES EXCEPT ON BURROUGHS ORDER OR PRIOR WRITTEN CONSENT.

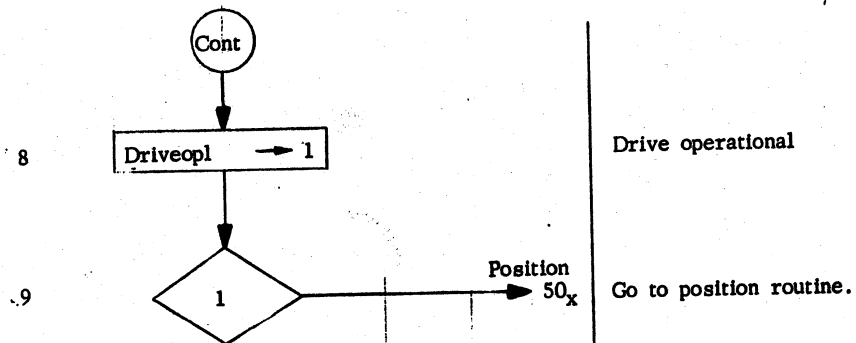
TITLE **LOGIC FLOW CHART**



PROPRIETARY TO BURROUGHS CORPORATION. NOT TO BE REPRODUCED NOR USED FOR MANUFACTURING PURPOSES EXCEPT ON BURROUGHS ORDER OR PRIOR WRITTEN CONSENT.

TITLE  
**LOGIC FLOW CHART**

37x (con't)



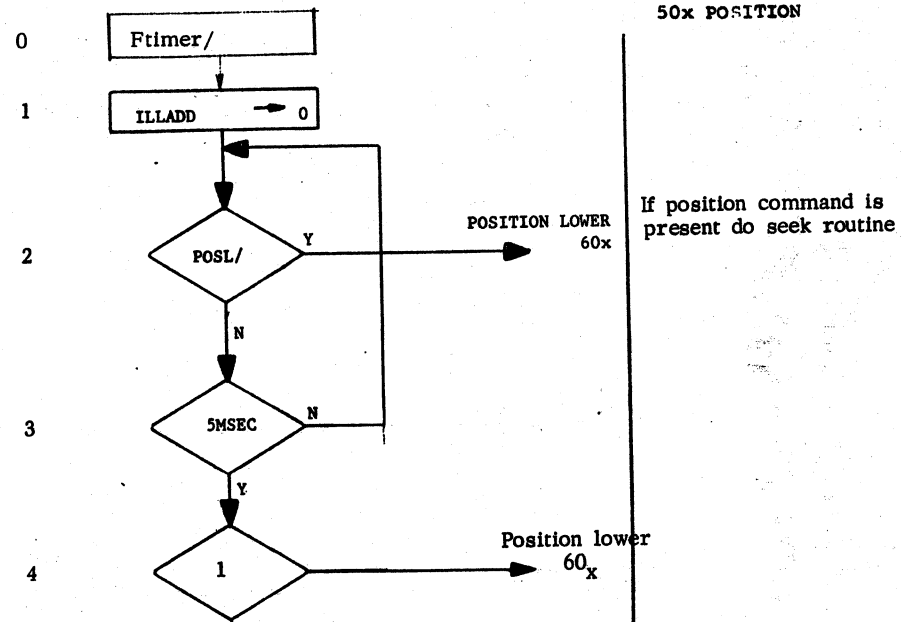
8

9

PROPRIETARY TO BURROUGHS. NOT TO BE REPRODUCED OR USED FOR MANUFACTURING PURPOSES EXCEPT ON BURROUGHS ORDER OR PRIOR WRITTEN CONSENT.

TITLE  
**LOGIC FLOW CHART**

50x POSITION



0

1

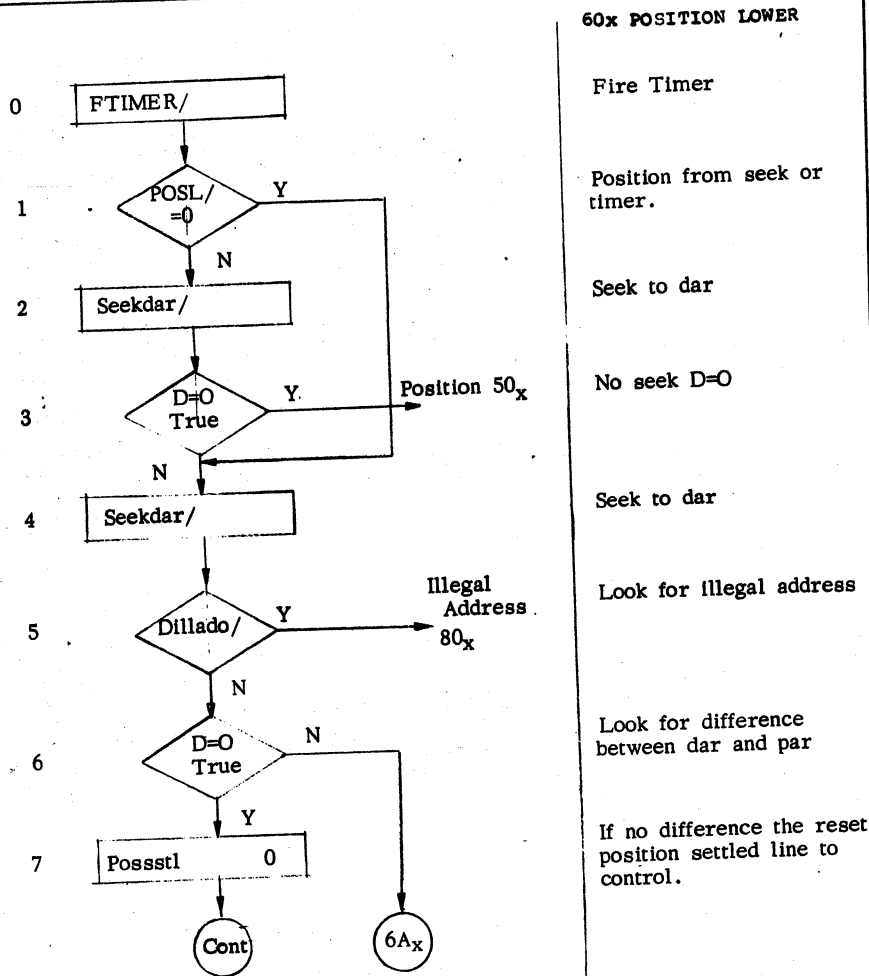
2

3

4

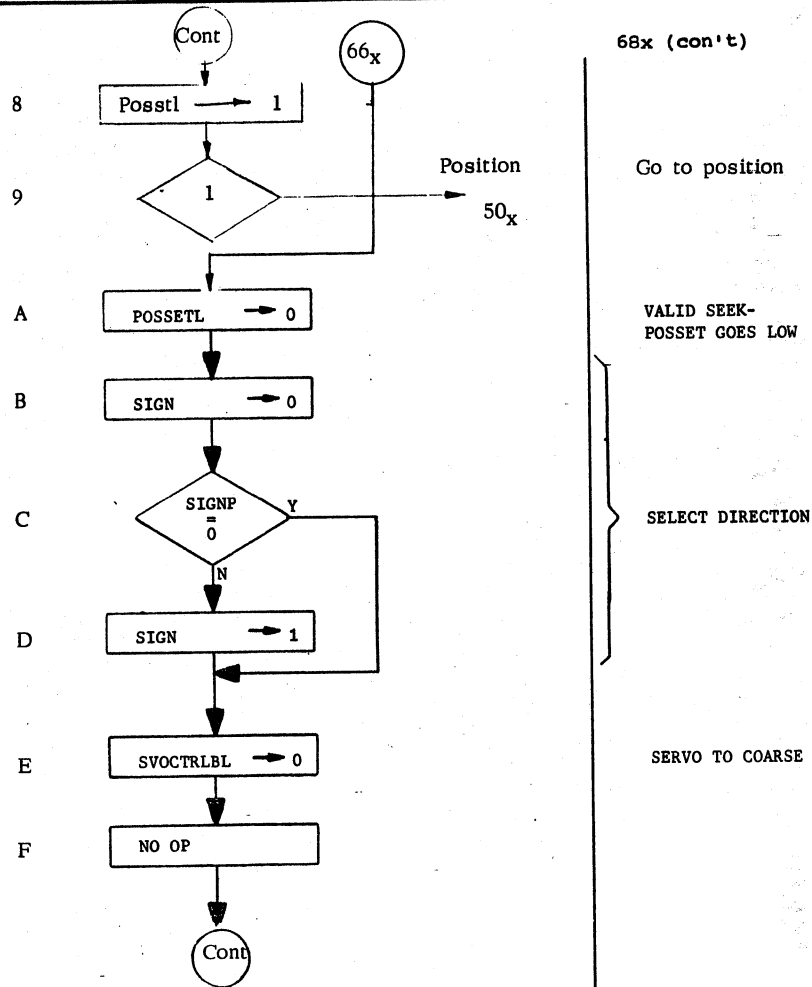
PROPRIETARY TO BURROUGHS CORPORATION. NOT TO BE REPRODUCED NOR USED FOR MANUFACTURING PURPOSES EXCEPT ON BURROUGHS ORDER OR PRIOR WRITTEN CONSENT.

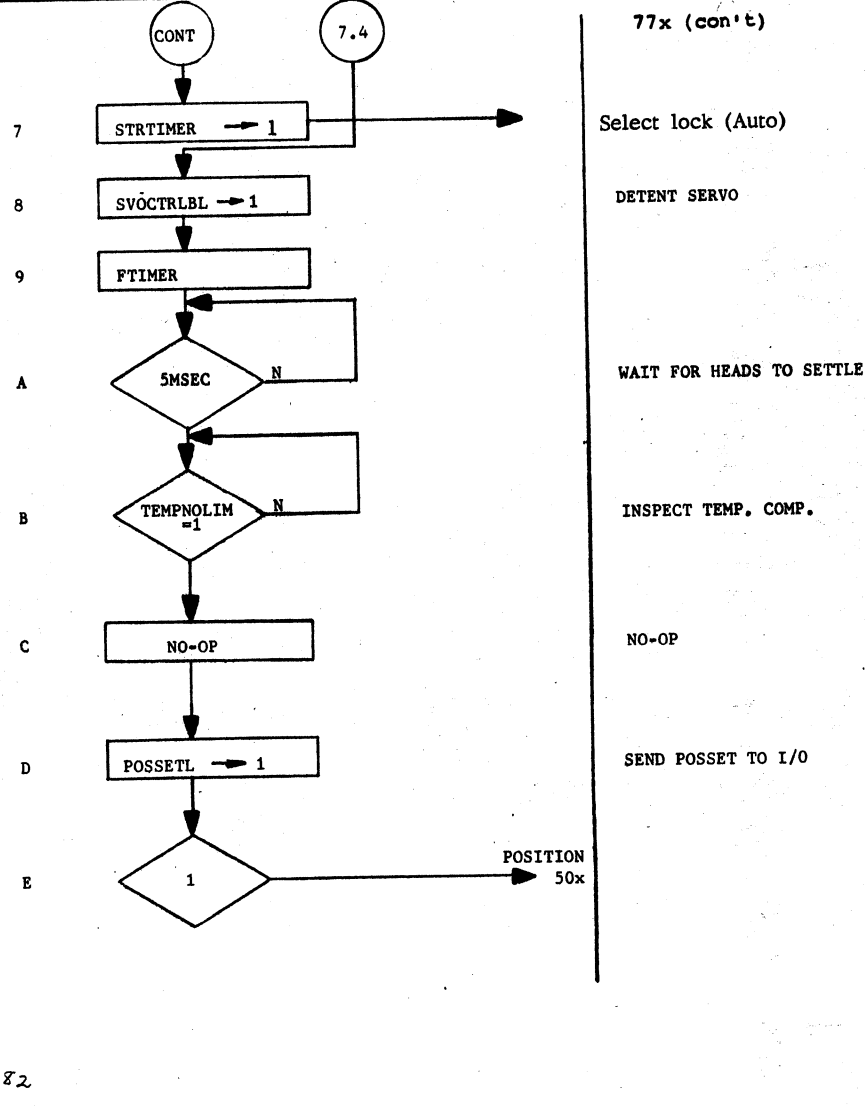
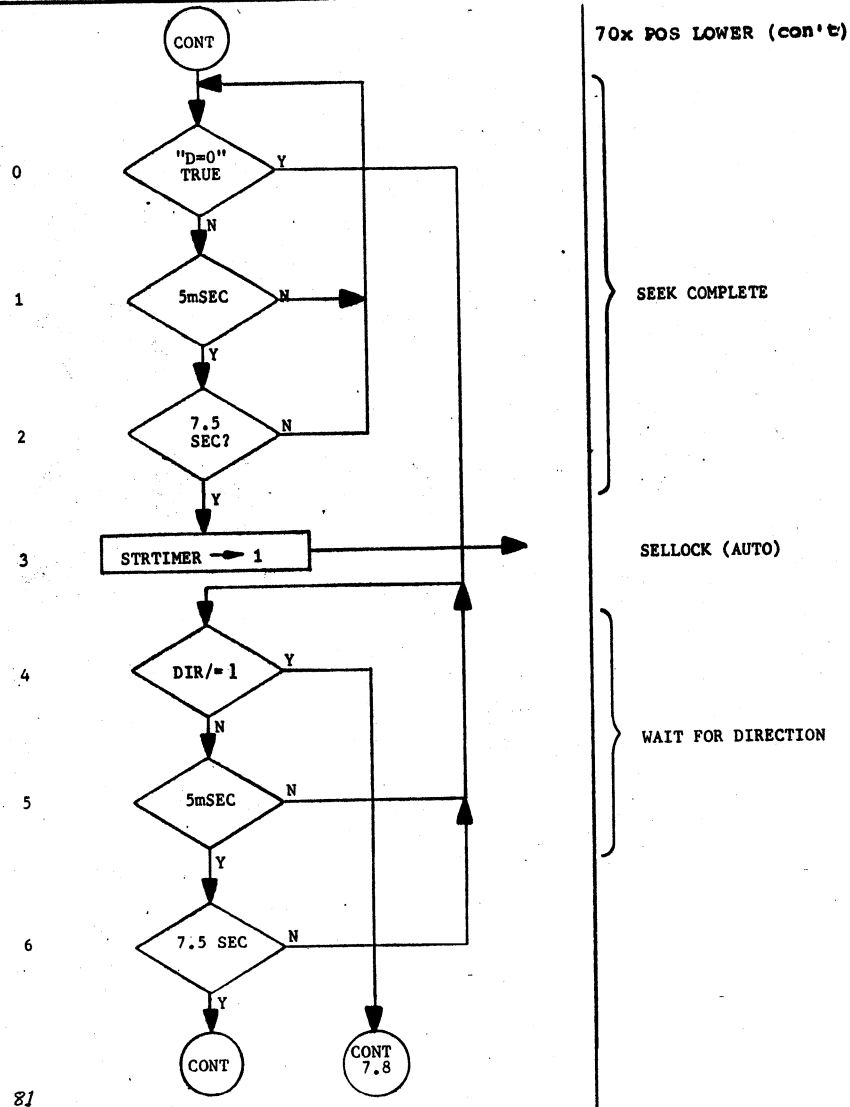
TITLE  
**LOGIC FLOW CHART**



PROPRIETARY TO BURROUGHS. NOT TO BE REPRODUCED OR USED FOR MANUFACTURING PURPOSES EXCEPT ON BURROUGHS ORDER OR PRIOR WRITTEN CONSENT.

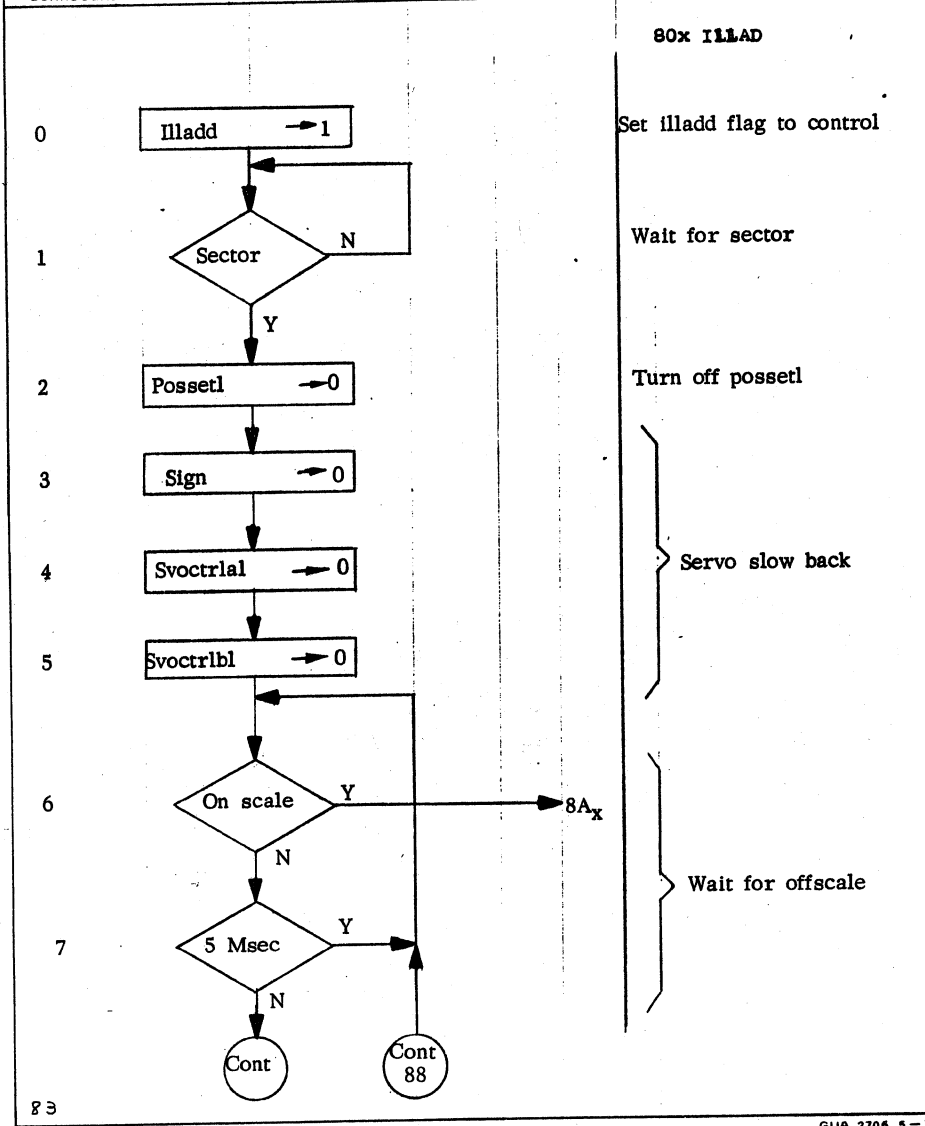
TITLE  
**LOGIC FLOW CHART**





PROPRIETARY TO BURROUGHS CORPORATION. NOT TO BE REPRODUCED NOR USED FOR MANUFACTURING PURPOSES EXCEPT ON BURROUGHS ORDER OR PRIOR WRITTEN CONSENT.

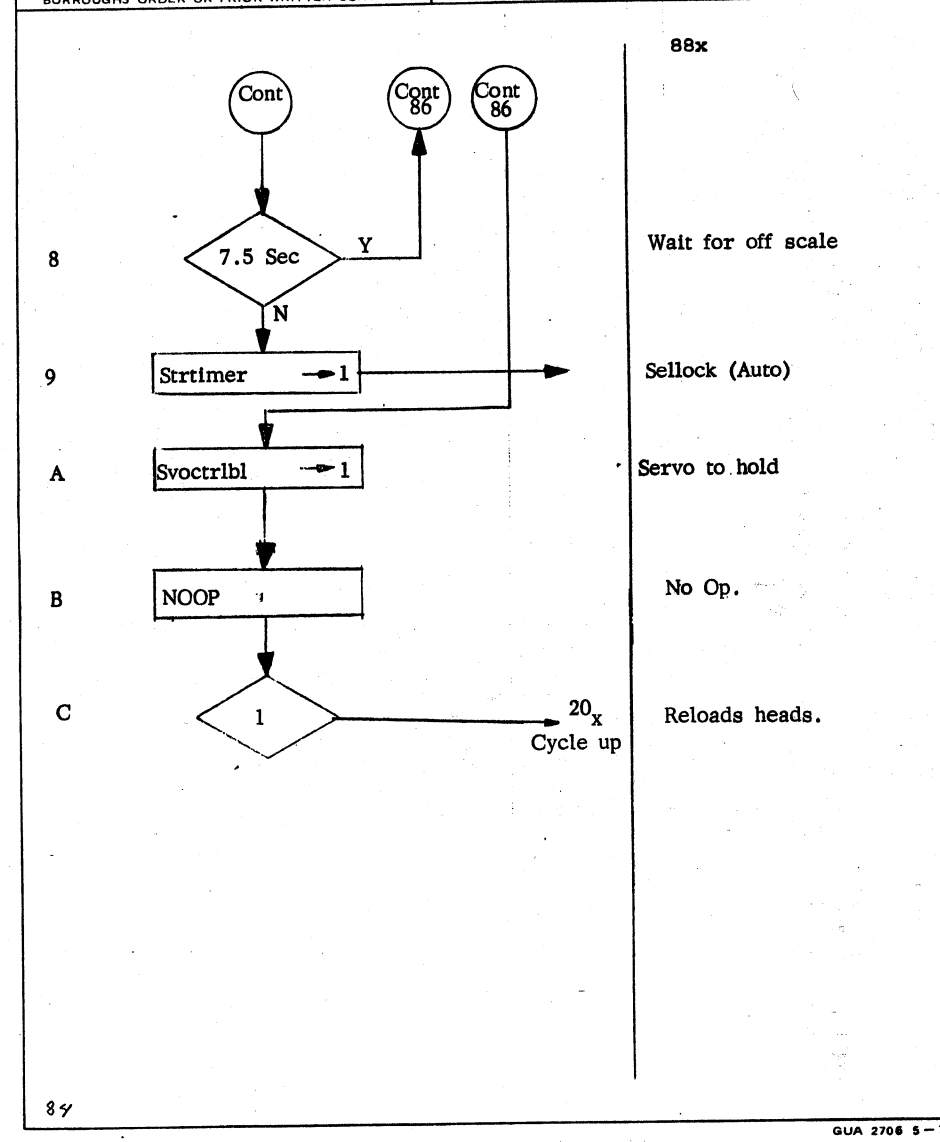
TITLE **LOGIC FLOW CHART**



83

PROPRIETARY TO BURROUGHS CORPORATION. NOT TO BE REPRODUCED NOR USED FOR MANUFACTURING PURPOSES EXCEPT ON BURROUGHS ORDER OR PRIOR WRITTEN CONSENT.

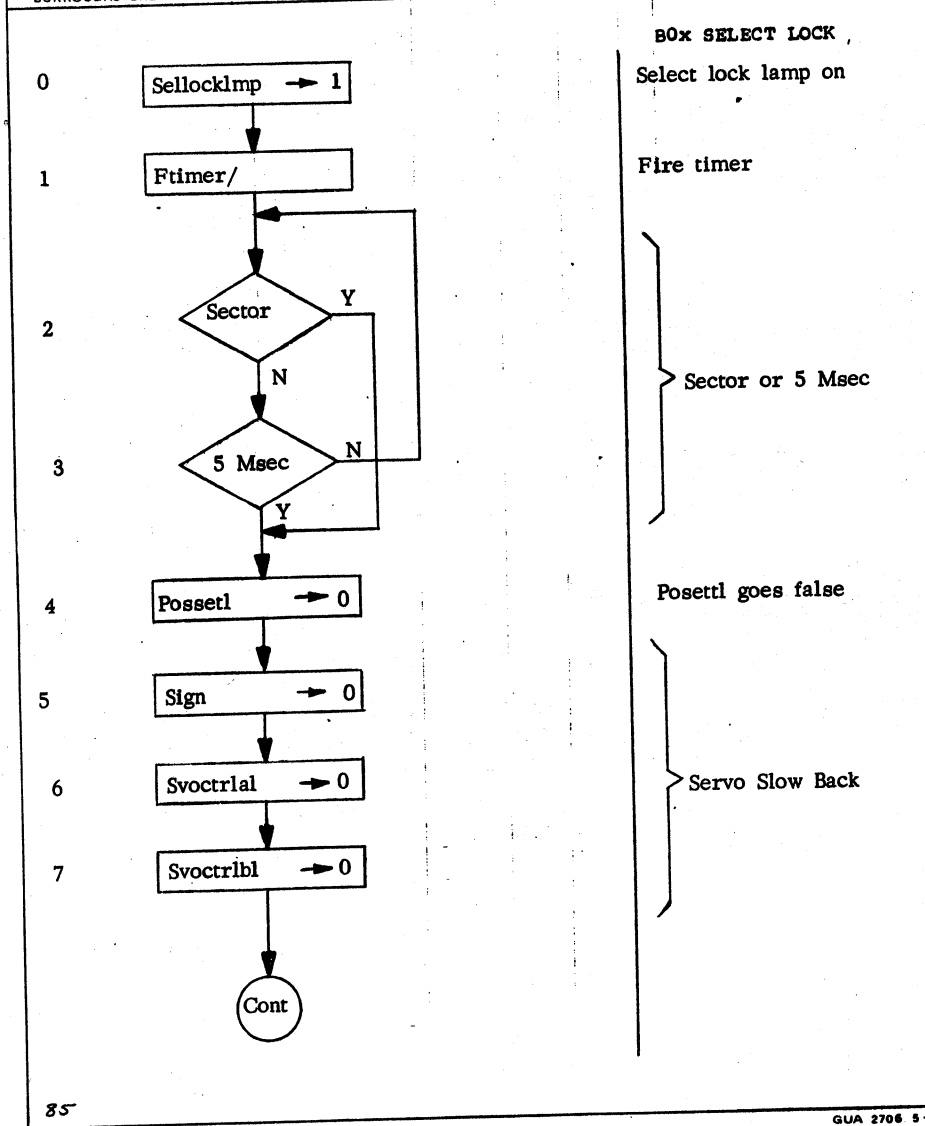
TITLE **LOGIC FLOW CHART**



84

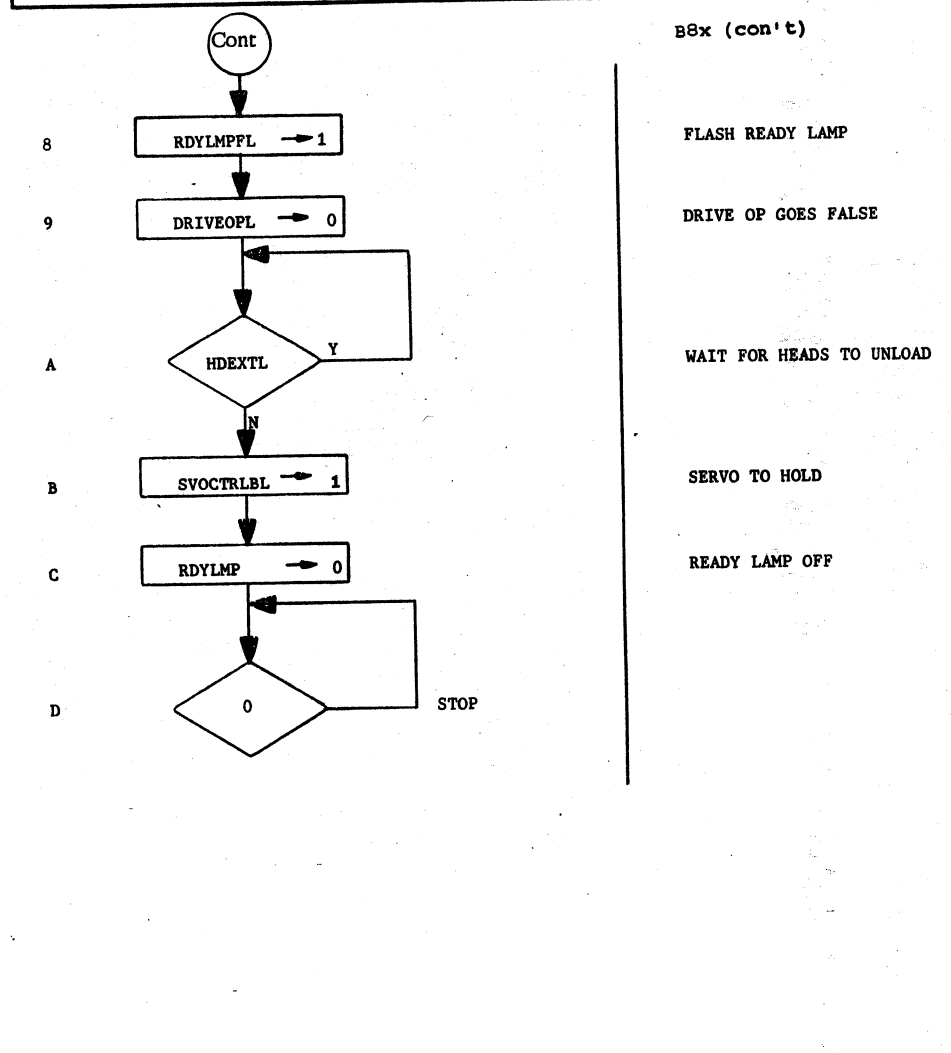
PROPRIETARY TO BURROUGHS CORPORATION. NOT TO BE REPRODUCED NOR USED FOR MANUFACTURING PURPOSES EXCEPT ON BURROUGHS ORDER OR PRIOR WRITTEN CONSENT.

TITLE LOGIC FLOW CHART

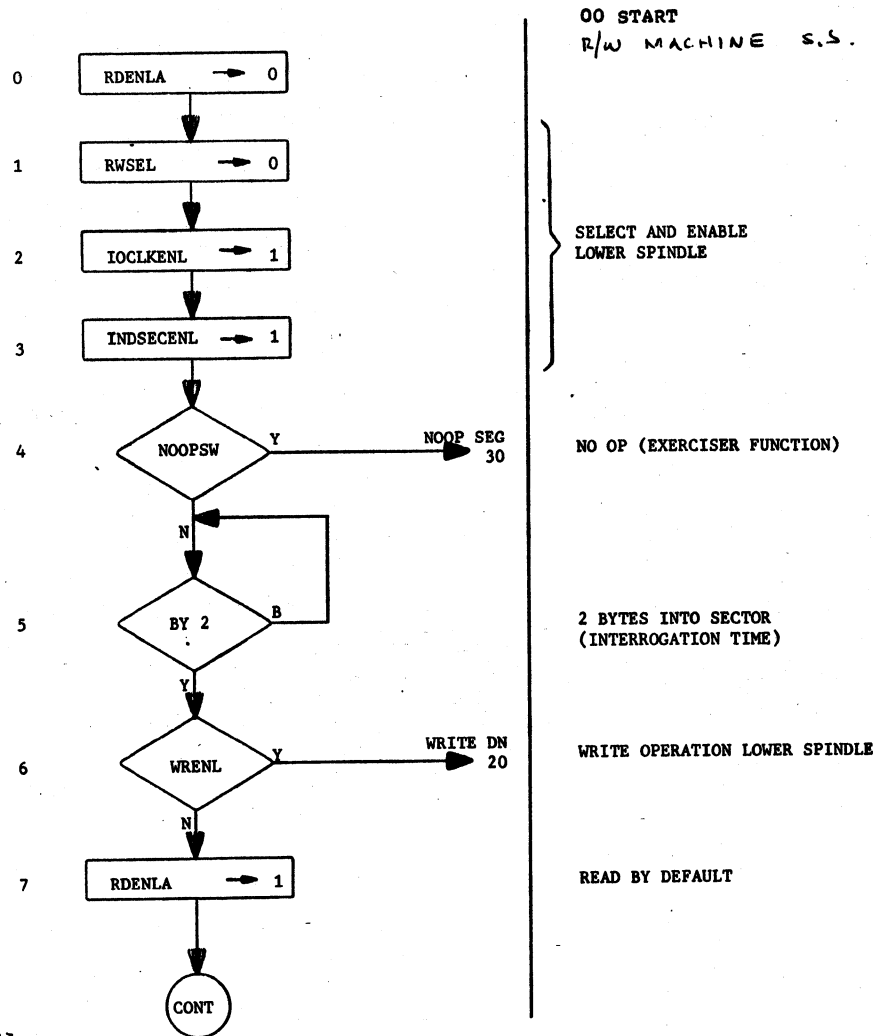


PROPRIETARY TO BURROUGHS. NOT TO BE REPRODUCED OR USED FOR MANUFACTURING PURPOSES EXCEPT ON BURROUGHS ORDER OR PRIOR WRITTEN CONSENT.

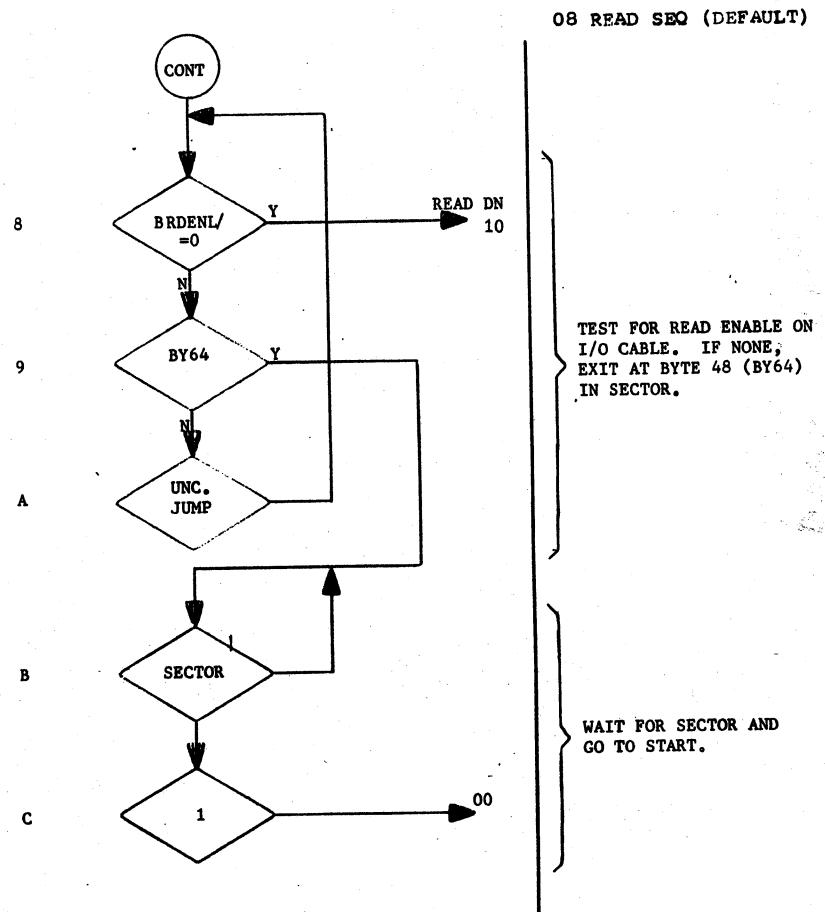
TITLE LOGIC FLOW CHART




<b>Burroughs Corporation</b> DISK PACK PRODUCTS WESTLAKE PLANT WESTLAKE VILLAGE, CALIF. 91380 U.S. AMERICA	PREP	PROJ	A2162 4226 <i>E</i>
	CHKD	APPD	PAGE 71 OF 75
PROPRIETARY TO BURROUGHS. NOT TO BE REPRODUCED OR USED FOR MANUFACTURING PURPOSES EXCEPT ON BURROUGHS ORDER OR PRIOR WRITTEN CONSENT.			TITLE <b>LOGIC FLOW CHART</b>

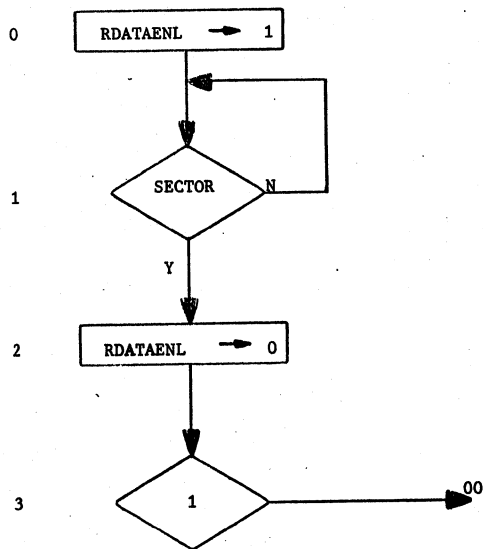


<b>Burroughs Corporation</b> DISK PACK PRODUCTS WESTLAKE PLANT WESTLAKE VILLAGE, CALIF. 91380 U.S. AMERICA	PREP	PROJ	A2162 4226 <i>E</i>
	CHKD	APPD	PAGE 72 OF 75
PROPRIETARY TO BURROUGHS. NOT TO BE REPRODUCED OR USED FOR MANUFACTURING PURPOSES EXCEPT ON BURROUGHS ORDER OR PRIOR WRITTEN CONSENT.			TITLE <b>LOGIC FLOW CHART</b>



<b>Burroughs Corporation</b>  DISK PACK PRODUCTS WESTLAKE PLANT WESTLAKE VILLAGE, CALIF. 91360 U.S. AMERICA	PREP	PROJ	A2162 4276 <i>E</i>
	CHKD	APPD	PAGE 73 OF 75
PROPRIETARY TO BURROUGHS. NOT TO BE REPRODUCED OR USED FOR MANUFACTURING PURPOSES EXCEPT ON BURROUGHS ORDER OR PRIOR WRITTEN CONSENT.		TITLE <b>LOGIC FLOW CHART</b>	

10 READ DN




ENABLE LOWER SPINDLE DATA

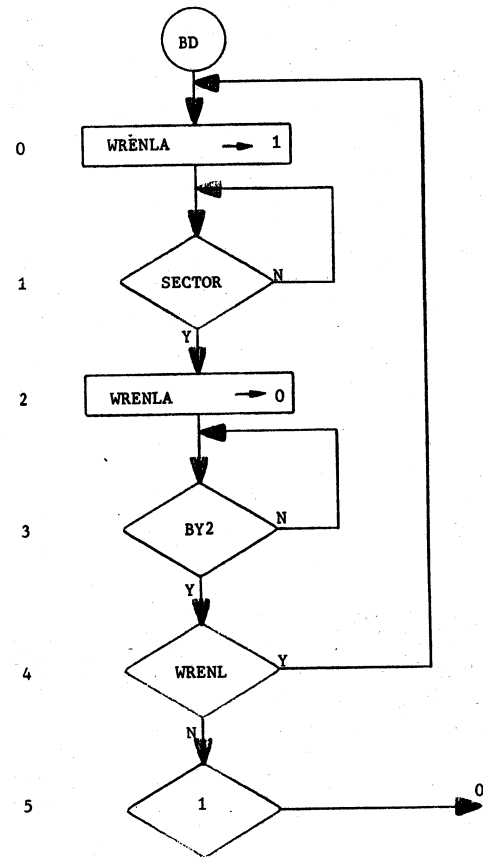
WAIT FOR SECTOR

DISABLE LOWER SPINDLE DATA

GO TO START

<b>Burroughs Corporation</b>  DISK PACK PRODUCTS WESTLAKE PLANT WESTLAKE VILLAGE, CALIF. 91360 U.S. AMERICA	PREP	PROJ	A2162 4276 <i>E</i>
	CHKD	APPD	PAGE 74 OF 75
PROPRIETARY TO BURROUGHS. NOT TO BE REPRODUCED OR USED FOR MANUFACTURING PURPOSES EXCEPT ON BURROUGHS ORDER OR PRIOR WRITTEN CONSENT.		TITLE <b>LOGIC FLOW CHART</b>	

20 WRITE DOWN



ENABLE WRITE TO LOWER SPINDLE

WAIT FOR SECTOR

DISABLE WRITE TO LOWER SPINDLE

WAIT FOR BYTE 2 OF SECTOR

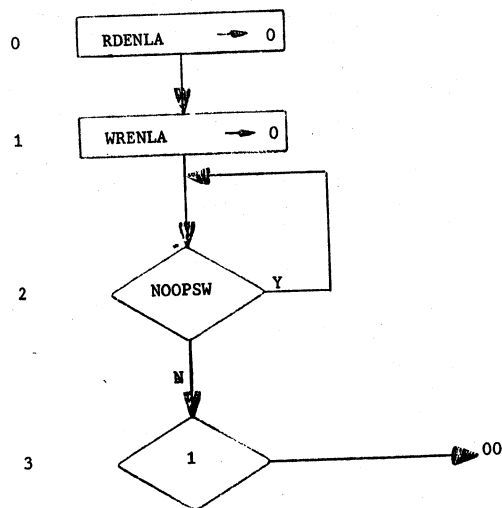
Y = WRITE NEXT SECTOR  
 N = GO TO START

GO TO START



<b>Burroughs Corporation</b> <small>DISK PACK PRODUCTS WESTLAKE VILLAGE, CALIF. 91360</small>	PREP	PROJ	A 21624276 E
	CHKD	APPD	PAGE 75 OF 75
<small>PROPRIETARY TO BURROUGHS. NOT TO BE REPRODUCED OR USED FOR MANUFACTURING PURPOSES EXCEPT ON BURROUGHS ORDER OR PRIOR WRITTEN CONSENT.</small>		TITLE LOGIC FLOW: HART	

30 NO OP SEQ



TURN OFF READ AND WRITE

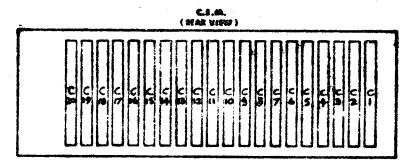
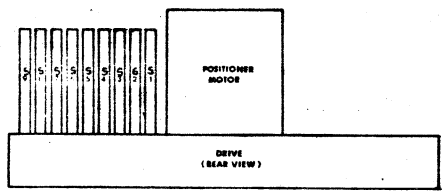
WAIT FOR NOOPSW TO BE REMOVED.

GO TO START

8 7 6 5 4 3 2 1

REV. CONT. DATE  
A

PART NUMBER	DESCRIPTION	CARD CAGE LOCATION	SCHEM PG#
2141 7743	LEAD W/TA AMP PWR	F 1	31
2141 7743	LEAD W/TA AMP PWR	F 2	32
2143 0148	ROLLER AMP PWR	F 3	33
2143 2114	SENSOR AMP PWR	F 4	34
2140 2150	INTERFACE BR	F 5	35, 35A
2142 7923	TRIP TRIP PWR	F 6	36
	EMPTY	F 7	--
	EMPTY	F 8	--
	EMPTY	F 9	--
2141 3030	DC VOLTAGE MONITOR PWR	C 1	7
2143 7146	SECTOR GENERATOR PWR	C 2	8
2140 4766	BITS CONTROL I PWR	C 3	9, 10
2142 1545	BITS CONTROL II PWR	C 4	11
2142 1550	BITS CONTROL III PWR	C 5	12
2141 7343	SENSOR PWR	C 6	13, 14
2141 8276	ADDRESS CONTROL PWR	C 7	15
2142 0079	PRESENT ADDRESS MULTIPLEX PWR	C 8	16
	EMPTY	C 9	--
	EMPTY	C 10	--
	EMPTY	C 11	--
2143 0740	BITS ADDRESS PWR	C 12	17, 18
2140 0049	T. R. S. PWR	C 13	19
2140 2042	BITS IDENTIFICATION PWR	C 14	20
2140 1637	LPC CONTROL PWR	C 15	21
2140 2310	PCY GENERATOR PWR	C 16	22
2142 7922	SEC TRIPING PWR	C 17	23, 24
2142 1240	S/N PACKING ASST	C 18	25, 26
2142 7993	PAPER CARD I ASST	C 19	27, 28
2141 0030	PAPER CARD II ASST S. S.	C 20	29
2143 0530	PAPER CARD III ASST S. S.	C 20	29
2143 1205	POWER SUPPLY PWR		30
2142 7012	VOLTRON REGULATORS PWR		31
2143 7020	1/2 PORTS PWR		32, 33, 34
2143 1410	1/2 PORTS PWR		35, 36, 37
2142 1427	AMP AMP PWR		38



D  
C  
B  
A

DWS NO 21618448  
PAGE 1 OF 1

GEN DUAL SPEED 1180 0543 APPLY

TOLERANCES UNLESS OTHERWISE SPECIFIED	FINISH	COLLIMINATION	ANGLE	DATE
MATERIAL	SIZE	ANGLES	DATE	
HEAT TREATMENT	PLATE	REWORK	DATE	
SURFACE TREATMENT	PLATE	REWORK	DATE	

Burroughs Corporation

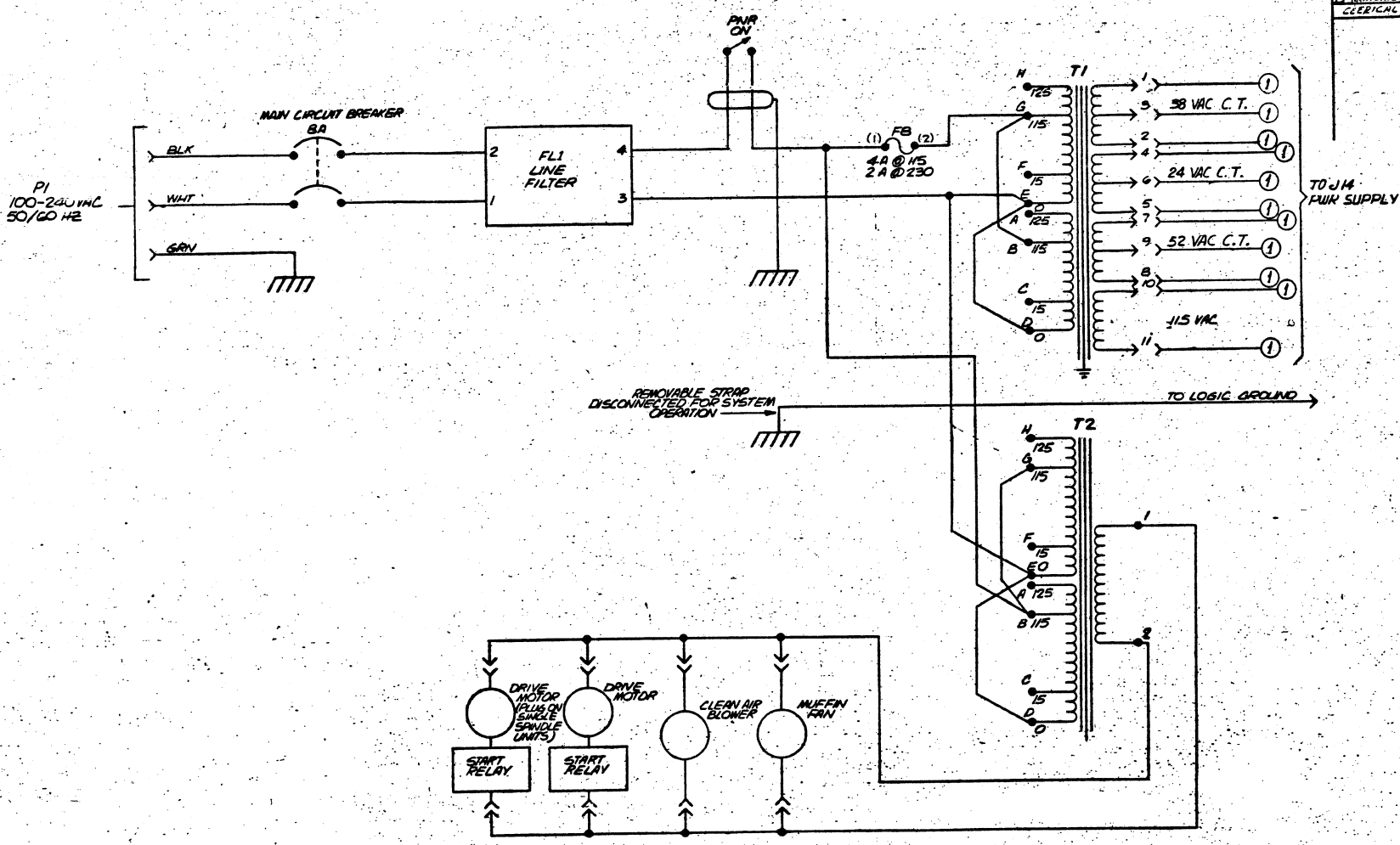
PLUGGABLE LOCATION CHART

D 21618442 A

7 6 5 4 3 2 1

REVISION				
REV	CONT	OR	CHK	APPRD DATE
A	W/ADPSS	W/CH	W/CH	1/10/73
B	100/0723	10/1/73	10/1/73	10/1/73

CLERICAL ERRORS



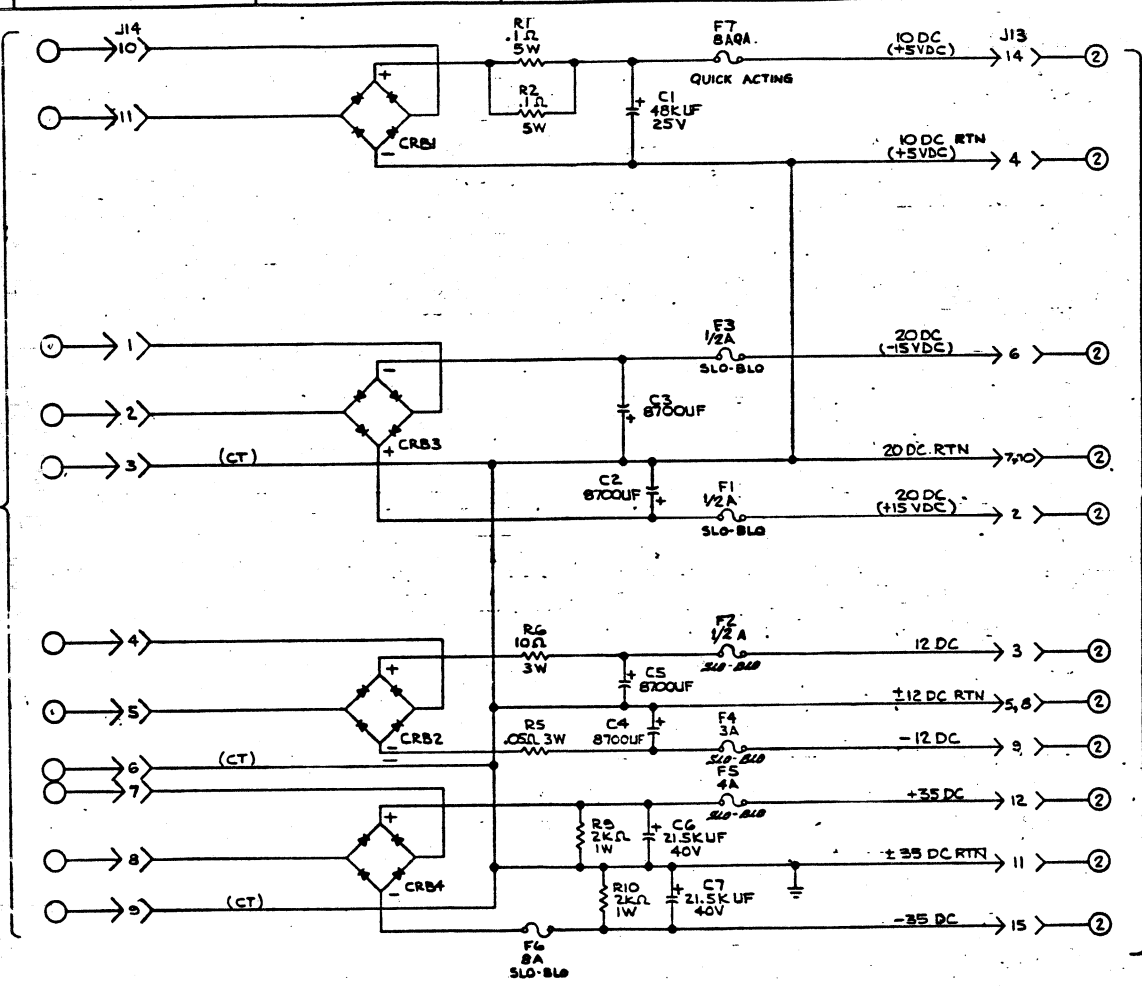
ASSEMBLY	
LOC	PAGE
/	1

TOLERANCES UNLESS OTHERWISE SPECIFIED		DATE	DATE
DEC 6	JDK 6	1/10/73	1/10/73
FINISHED	ASSEMBLED	CHECKED	DATE
PREPARED BY	DATE	DATE	DATE
DESIGNED BY	DATE	DATE	DATE
SCALE	SHEET	DWG NO.	REV
NOTE	of 1	2162 5470 E	

92

2162 0372 G 1st  
 Schem. Power Supply

2162 0372 G 1st



FROM T 1  
 AC PWIR  
 DIST.

TO J22  
 VOLT. REG.

ZONE	REV	CONT	OR	CHK	APPD	DATE
	A	PRELIM	1	E		
	B	PRELIM	1	E		
	C	ERC2403	2	EC		5/17/74
	D	62763	2	R.T.		5/27/74
1A		ASSY NO WAS 2162 0343				
4D		ADDED RTN TO PIN 4.				
5B		R6 WAS .052.				
	E	63102	2			
1A		ASSY NO. WAS 2163 0082.				
5A		F6 WAS 3A.				
5B		F5 WAS 3A.				
	F	63111	3	3/11/74		3/11/74
1A		ASSY NO. WAS 2163 1031.				
5A		RELOCATED R6 AND CHANGED FROM 3A TO 8A				
	G	63102	2			5/23/74
B4		ISOLATED THE CONNECTION FROM -12 DC TO GROUND.				
B15		CHANGE FROM F2 3A TO F2 1/2 A.				
D15		CHANGE FROM SLOW BLO TO QUICK ACTING.				
B17		CHANGE THE DIRECTION OF INPUT SIGNALS.				

1. NUMBERS INSIDE CIRCLES INDICATE THE PAGE THE SIGNAL IS GENERATED OR TERMINATED ON.  
 NOTES: UNLESS OTHERWISE SPECIFIED

ASSEMBLY 2163 1205	
LOC	PAGE
	1

YOUR SOURCE UNLESS OTHERWISE SPECIFIED		DATE		DATE	
MATERIAL	DATE	DATE	DATE	DATE	DATE
TREATY TREATMENT	DATE	DATE	DATE	DATE	DATE
SURFACE TREATMENT	DATE	DATE	DATE	DATE	DATE

Burroughs Corporation  
 DISK PACK PRODUCTS  
 WESTLAKES VILLAGE, CALIF. 91360  
 TITLE: SCHEM. POWER SUPPLY  
 SCALE: 1:1  
 SHEET: 1 OF 1  
 DWG NO: 2162 0372 G  
 REV: 1

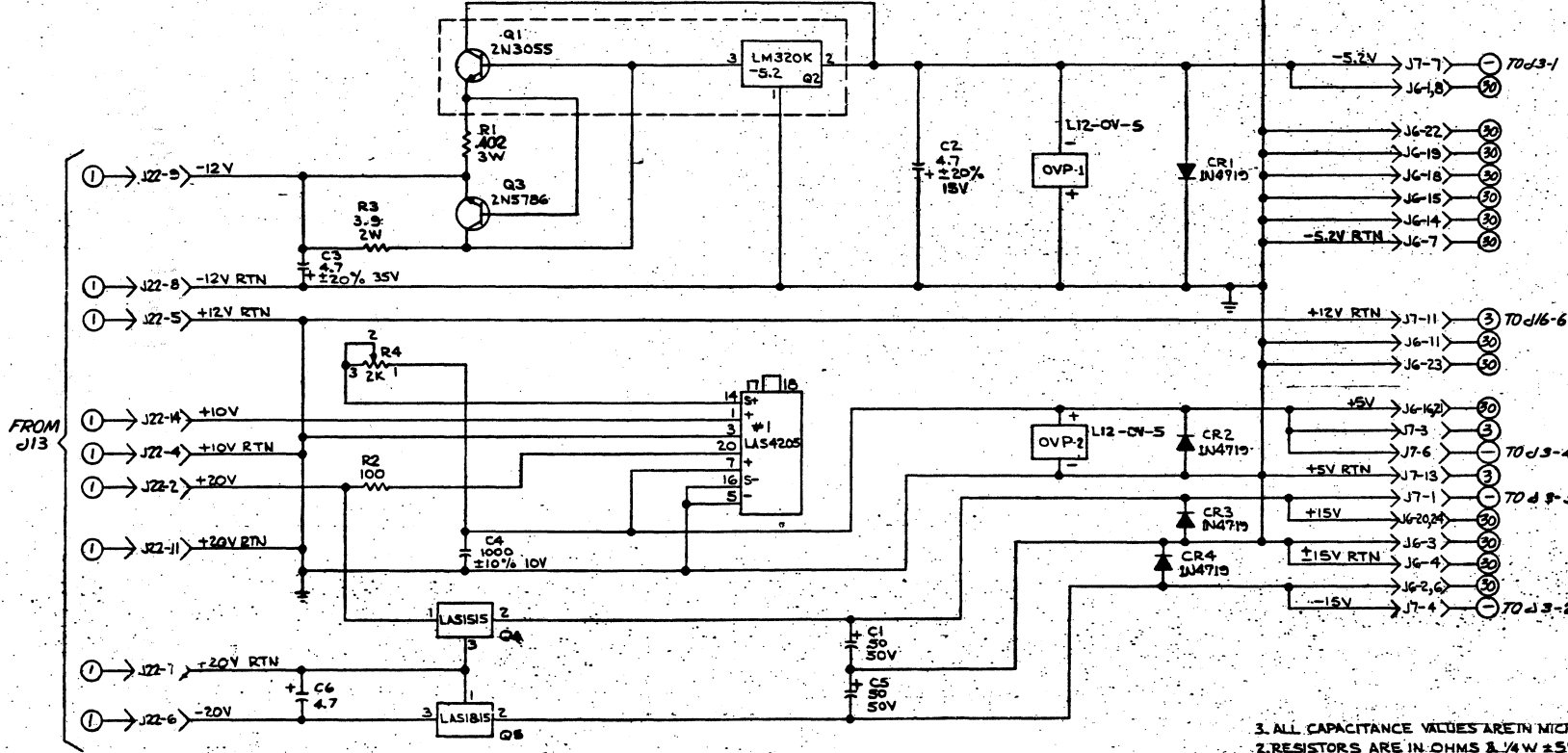
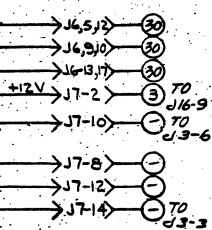
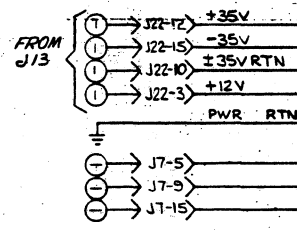
94

D 2161 9572 E Lot 1  
 Schem - VOLTAGE REGULATOR

ZL5G P12 and 2

REVISION					
EDME	REV	CONT	CHK	APPD	DATE
A	PRELIM				
B	PRELIM				
C	ER 62736	3	CR	PK	7/1/72
D	62752	04	RT	MM	2/10/72

1A ASSY NO. WAS 2161 9549.  
 7A ADDED C6.  
 PWR LPRTN WAS POWER ON RTN.  
 RBYLPRTN WAS ROLM LPRTN.  
 RBYLPRTN WAS RBYL LPRTN.  
 SEL LPRTN WAS SEL LPRTN.  
 E 10/1/72 (6/1/72) 11/1/72  
 CLEVERLY (2/2/72)



3. ALL CAPACITANCE VALUES ARE IN MICROFARADS  
 2. RESISTORS ARE IN OHMS & 1/4W ±5%  
 1. NUMBERS INSIDE CIRCLES INDICATES THE PAGE THE SIGNAL IS GENERATED OR TERMINATED ON.  
 NOTES: UNLESS OTHERWISE SPECIFIED

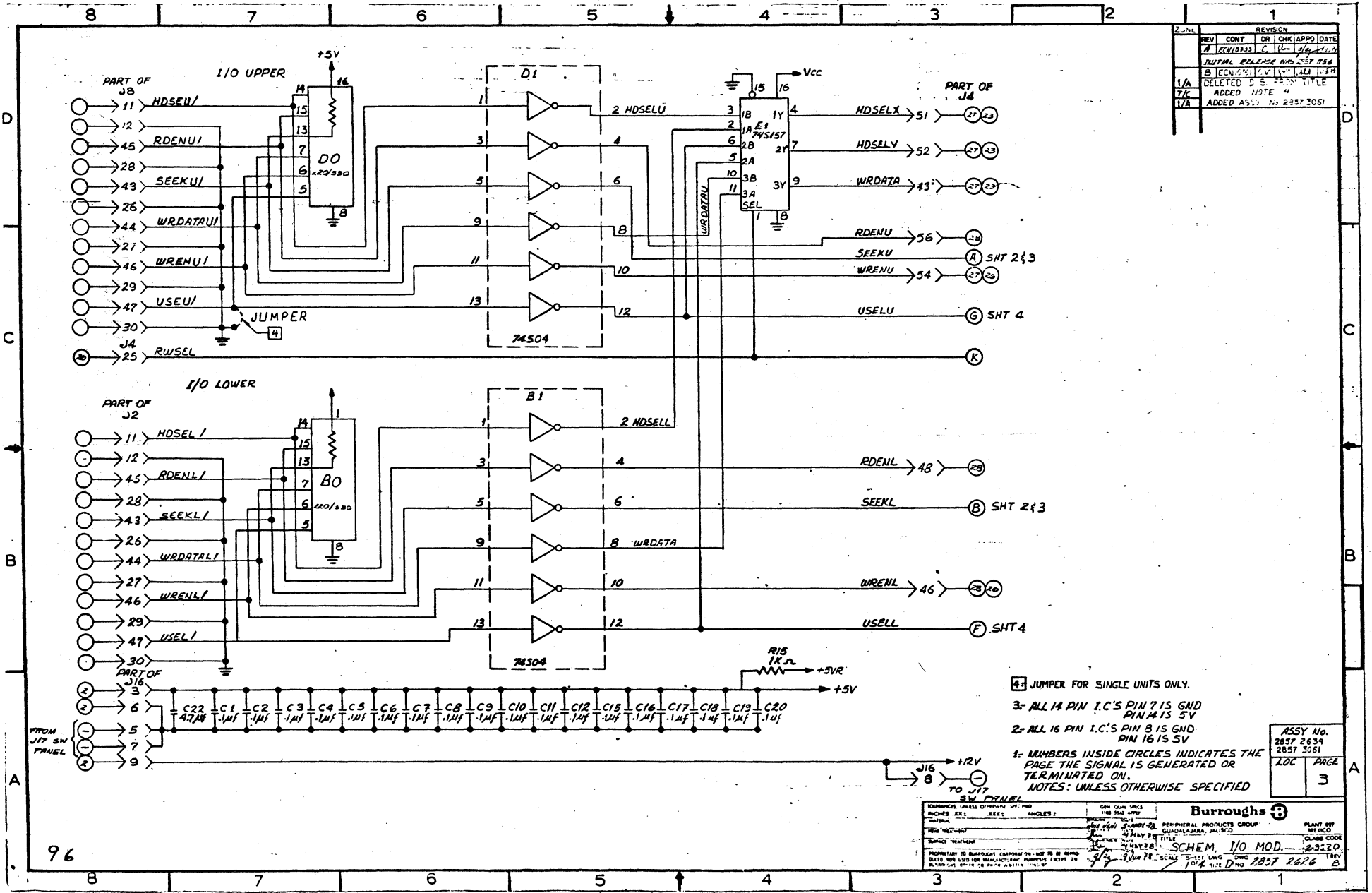
ASSY. NO.	2161 9572
LOC. PAGE	2

TOLERANCES UNLESS OTHERWISE SPECIFIED: RESISTORS: ±1% CAPACITORS: ±5% DIMENSIONS: ±0.005"		DATE: 7/1/72 DRAWN BY: [Signature] CHECKED BY: [Signature]	
BURROUGHS CORPORATION WESTLAKE PLANT WESTLAKE VILLAGE, CALIF. 91380 U.S. AMERICA		TITLE: SCHEM-VOLTAGE REGULATOR SHEET: 1 OF 1 SCALE: 1:1	

95

DRAWING 2161 9572

REVISION	
REV	CONT OR CHK APPD DATE
A	ECU/0233 C 11/16/64
INITIAL RELEASE NO. 257 754	
B	ECU/0233 C 11/16/64
DELETED D S 754 TITLE	
T/C	ADDED NOTE 4
I/A	ADDED ASSY No. 2857 3061



- 4 JUMPER FOR SINGLE UNITS ONLY.
  - 3- ALL 14 PIN I.C.'S PIN 7 IS GND  
PIN 16 IS 5V
  - 2- ALL 16 PIN I.C.'S PIN 8 IS GND  
PIN 16 IS 5V
  - 1- NUMBERS INSIDE CIRCLES INDICATES THE  
PAGE THE SIGNAL IS GENERATED OR  
TERMINATED ON.
- NOTES: UNLESS OTHERWISE SPECIFIED

ASSY No.	
2857 2639	
2857 3061	
LOC	PAGE
	3

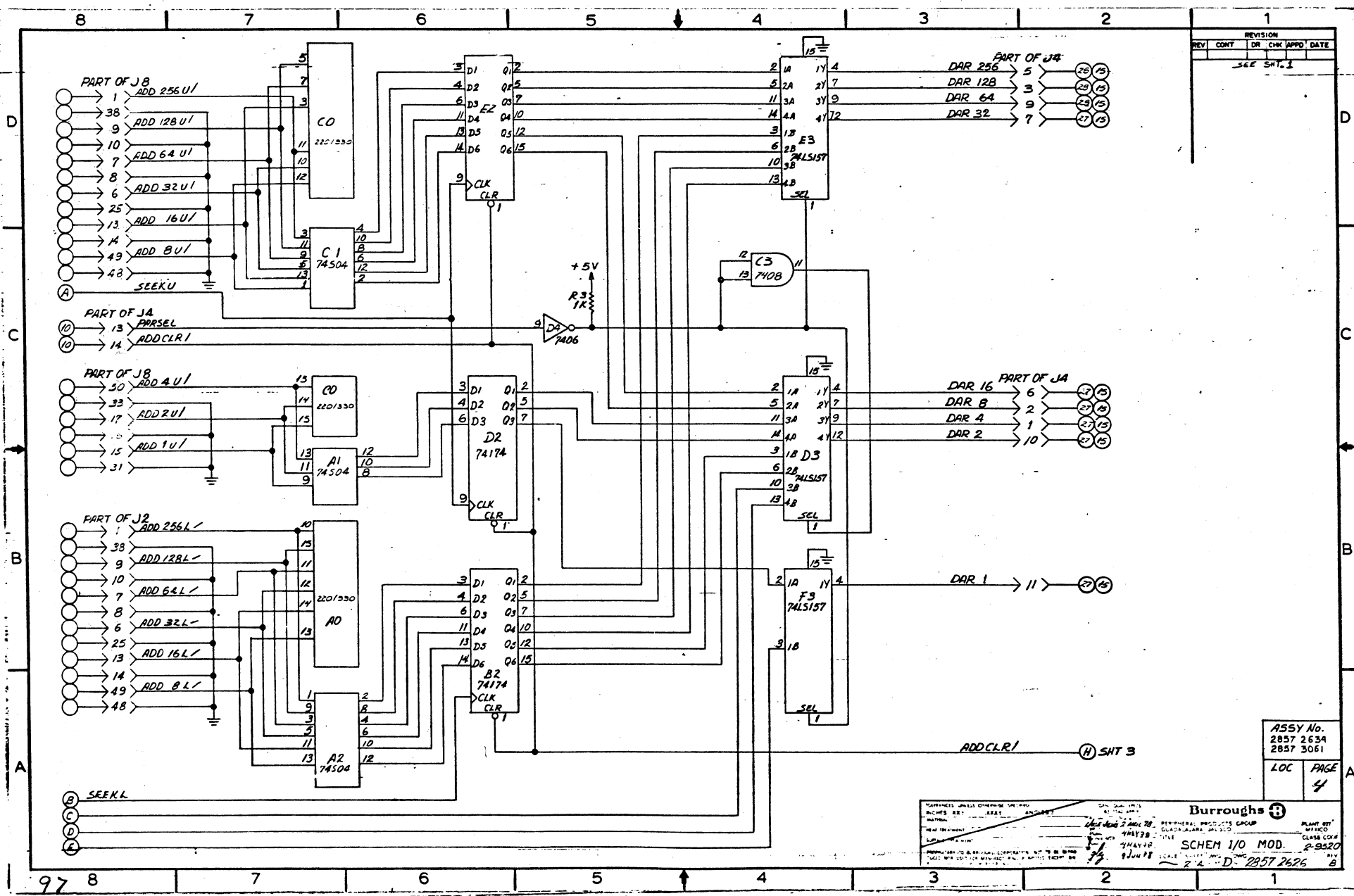
**Burrheads**

PROPERTY IS BURRHEADS COMPANY OR MAY BE IN BOND  
DO NOT USE FOR MANUFACTURING PURPOSES EXCEPT ON  
BARRHEADS COMPANY OR BURRHEADS COMPANY

GENERAL PRODUCTS GROUP  
SOUTH PLAINS, INDIANAPOLIS, IN

SCHEM. I/O MOD. 2-3220

DATE: 11/16/64 SCALE: 100% DIMENSIONS: 2857 2626 B



REVISION				
REV	CONT	DR	CHK	APPD DATE
SEE SHT 1				

ASSY No.  
2857 263A  
2857 3061

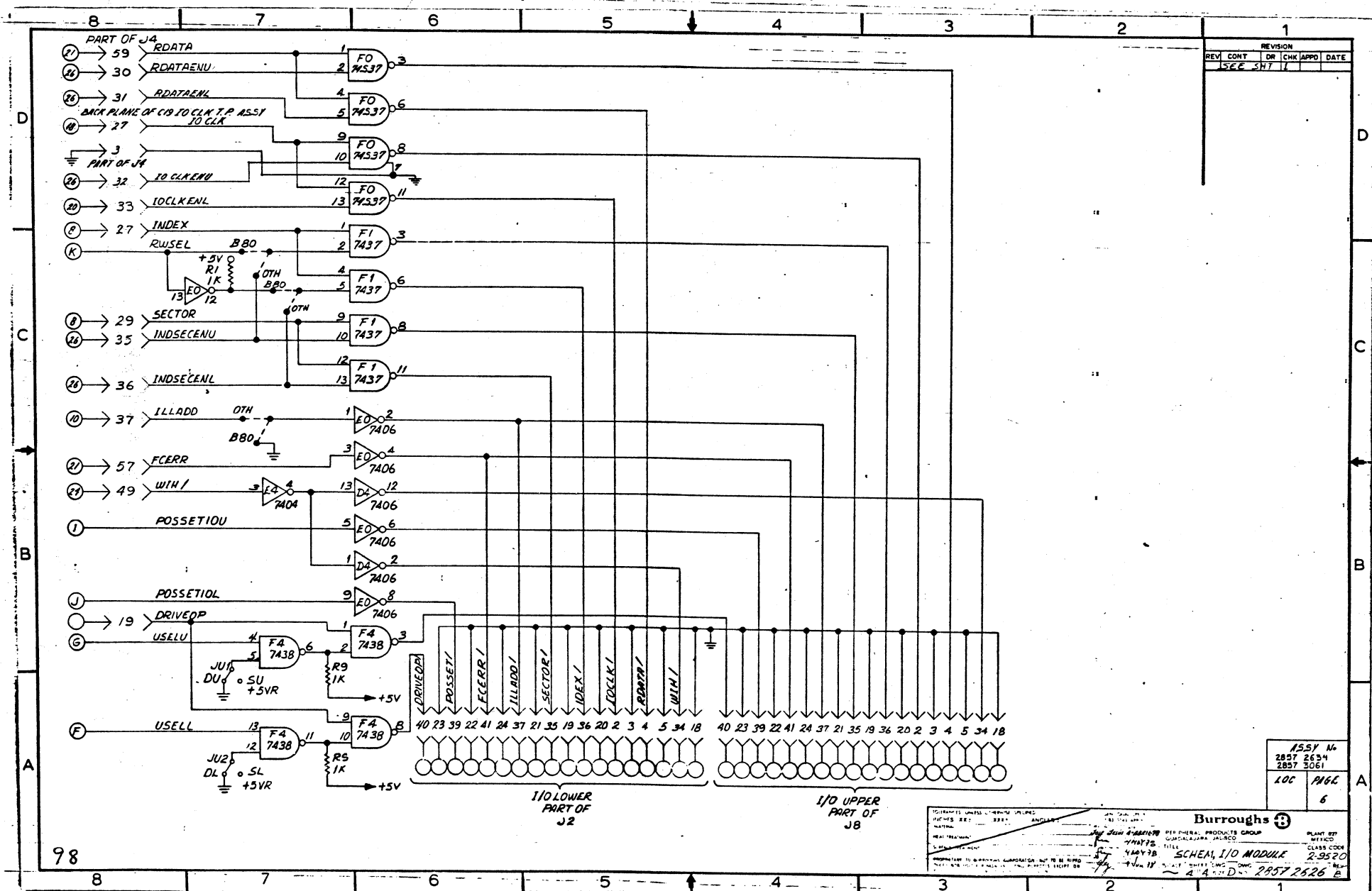
LOC	PAGE
	4

**Burroughs**

SCHEM 1/0 MOD. 2-5520

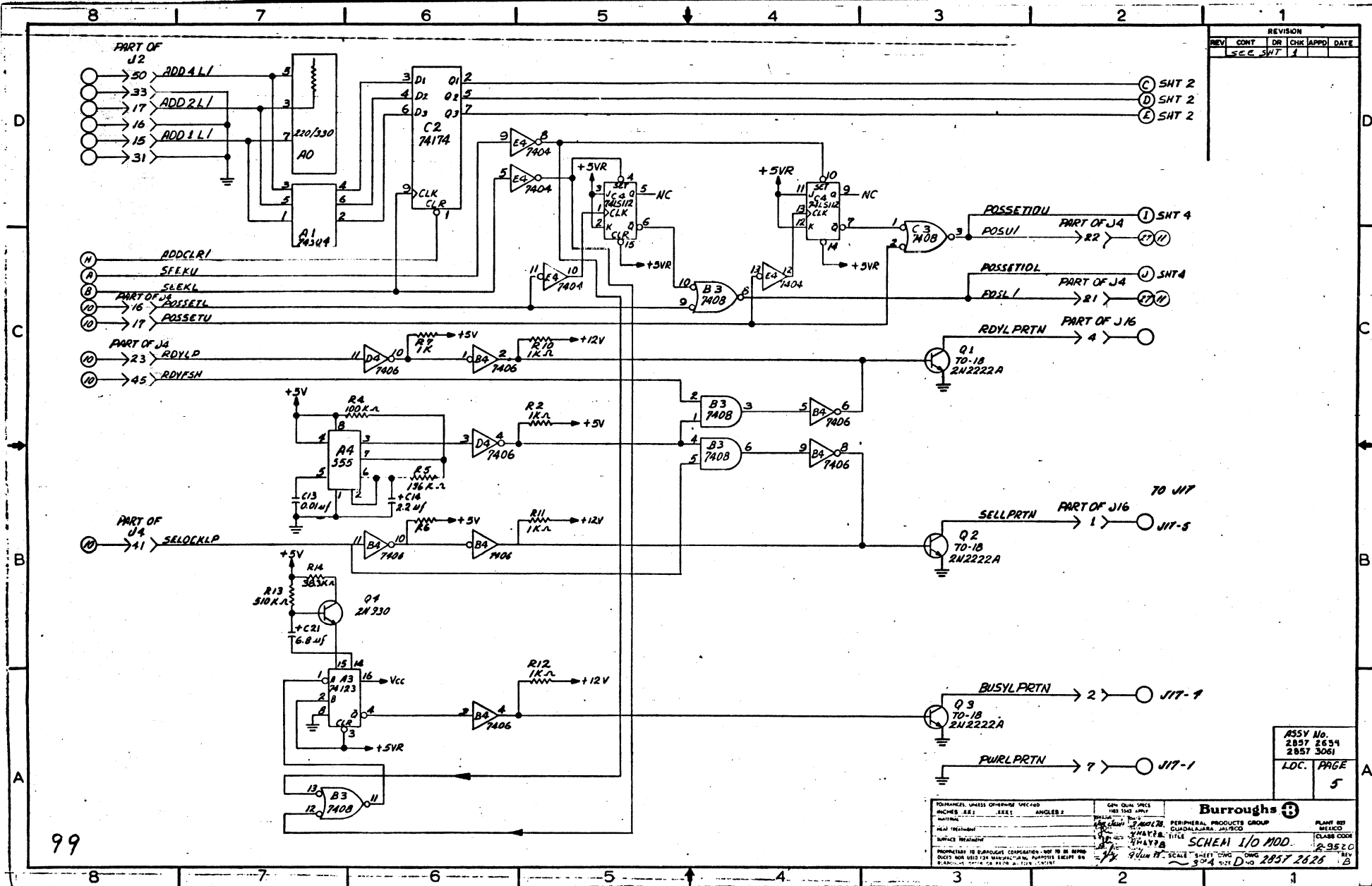
DATE: 9 JUN 68

SCALE: 2.4" D. 2857 2626



98





REVISION					
REV	CONT	DR	CHK	APPD	DATE
1	SEC	SWT	1		

ASSY No.	2857 2634
	2857 3061
LDC.	PAGE
	5

**Burroughs**

PERIPHERAL PRODUCTS GROUP  
GUADALAJARA, MEXICO

SCHEM 1/0 MOD.

2857 2626

SCALE: 3/4" = 1"

DATE: 11/18/68

DESIGNED BY: [Signature]

CHECKED BY: [Signature]

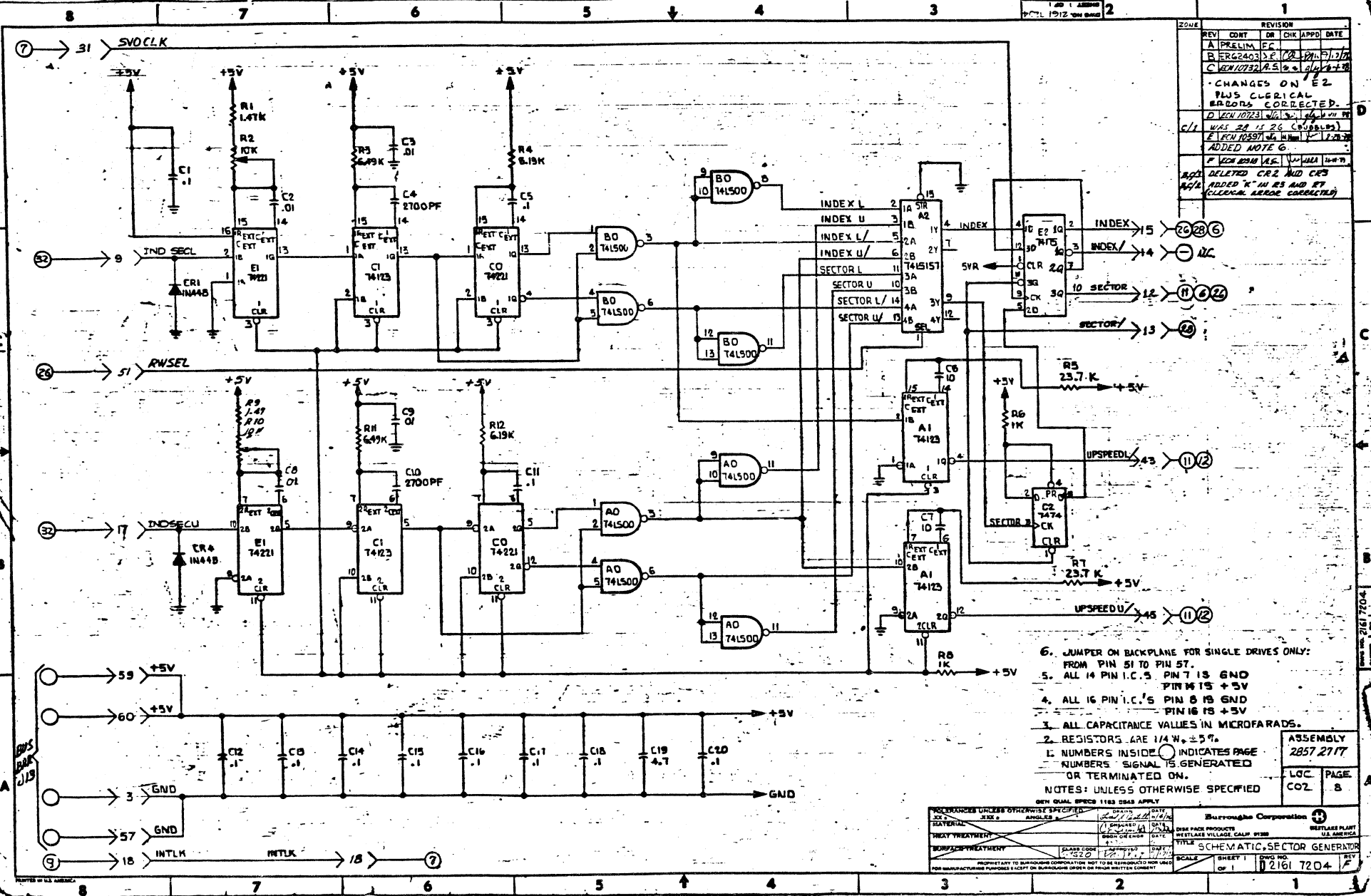
APPROVED BY: [Signature]

DATE: 11/18/68

99



10 216 7204 F 1 of 1  
SABREM-SECTOR GENERATOR



REVISION		DATE	
REV	CONT	OR CHK	APPD
A	PRELIM	FC	
B	ERR 2403	DE	1/21/74
C	REV 10732	RS	2/5/74

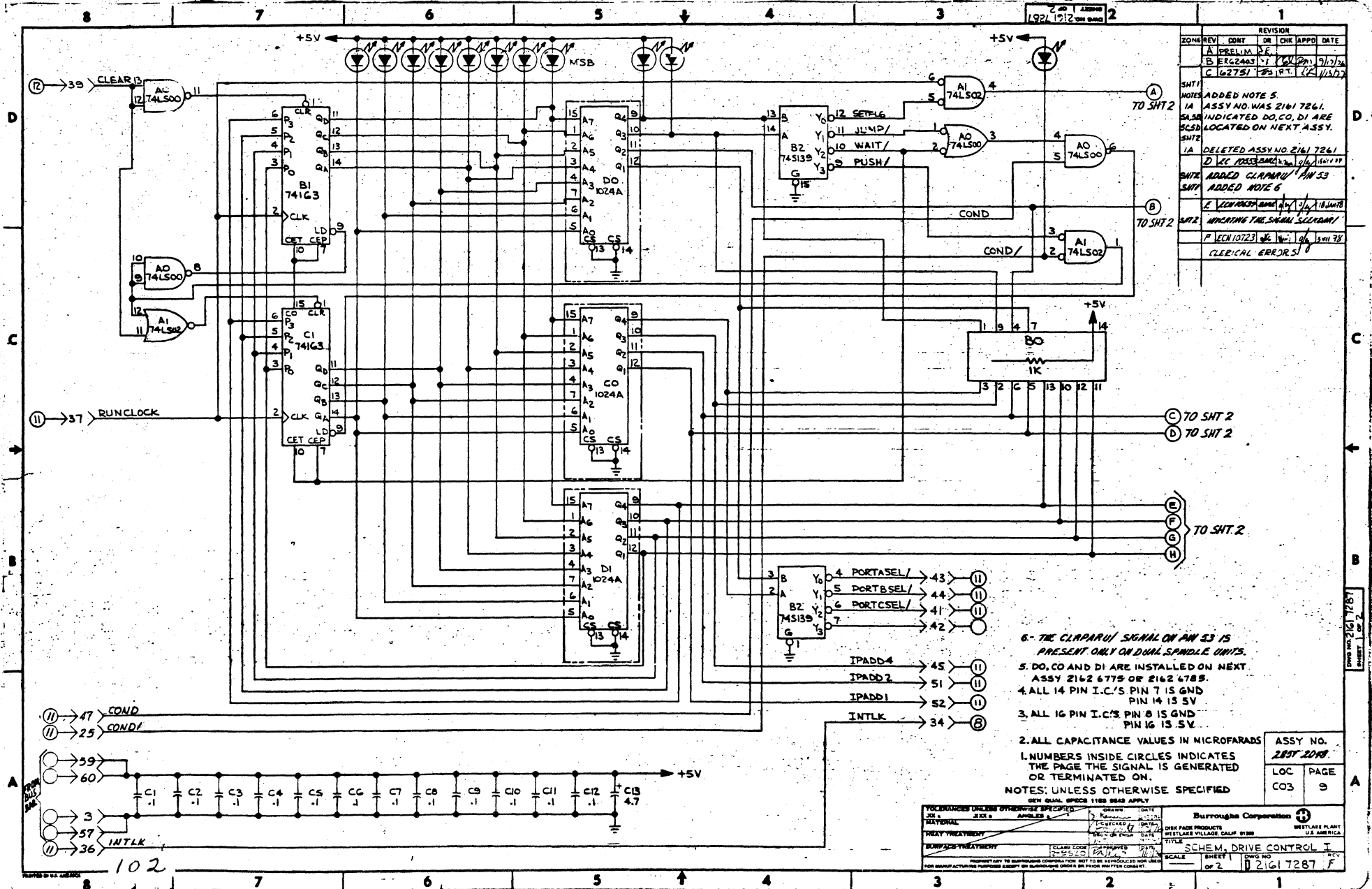
CHANGES ON E2  
PLUS CLERICAL  
ERRORS CORRECTED.  
D REV 10223 2/15/74  
C/L WAS 28 15 26 (CORRECTED)  
E REV 10257 4/11/74  
ADDED NOTE G  
F REV 2218 4/5/74  
G DELETED CR2 AND CR3  
ADDED R1 IN R5 AND R7  
(CLERICAL ERROR CORRECTED)

1. ALL CAPACITANCE VALUES IN MICROFARADS.
  2. RESISTORS ARE 1/4 W. ±5%.
  3. NUMBERS INSIDE ○ INDICATES PAGE NUMBERS SIGNAL IS GENERATED OR TERMINATED ON.
  4. ALL 16 PIN I.C.'S PIN 8 IS GND PIN 16 IS +5V
  5. ALL 14 PIN I.C.'S PIN 7 IS GND PIN 15 IS +5V
  6. JUMPER ON BACKPLANE FOR SINGLE DRIVES ONLY: FROM PIN 51 TO PIN 57.
- NOTES: UNLESS OTHERWISE SPECIFIED  
SERV. MANUAL SPEC. 1123 0248 APPL.

ASSEMBLY  
2857 2177  
LOC. PAGE  
COZ. B

MATERIAL		DATE		BUTTERFLY CORPORATION	
SIZE	ANGLE	DATE	DATE	DESIGN PRODUCT	REPLACEMENT PART
				REV. PLANS VILLAGE CAMP 9138	U.S. AMERICA
TREATMENT		DATE		TITLE	
				SCHEMATIC, SECTOR GENERATOR	
PROPERTY TO BUTTERFLY CORPORATION NOT TO BE REPRODUCED NOR LOANED FOR MANUFACTURING PURPOSES EXCEPT BY BUTTERFLY CORP. OR THROUGH WRITTEN CONSENT		SCALE		SHEET NO.	
				OF 1	

2161 7287 F 1002  
SCHEM-DRIVE CONTROL I



REVISION				
ZONE	REV	CONT	DR	CHK APPD DATE
A	PRELIM	DE		
B	ERC2403	VT	PLD	7/1/74
C	162751	TP3	PLD	7/2/74

SMT1  
NOTES  
ADDED NOTE 5.  
1A ASSY NO. WAS 2161 7261.  
B,C,D INDICATED DO, CO, DI ARE  
LOCATED ON NEXT ASSY.  
SMT2  
1A DELETED ASSY NO. 2161 7261  
D VCC 1024A  
SMT3  
ADDED CLAMP IN PIN 53  
SMT4  
ADDED NOTE 6  
E VCC 1024A  
SMT5  
MODIFYING THE SIGNAL SELECTOR/  
F VCC 1024A  
CLERICAL ERRORS!

- 6. THE CLAMP IN SIGNAL ON PIN 53 IS PRESENT ONLY ON DUAL SPINDLE UNITS.
  - 5. DO, CO AND DI ARE INSTALLED ON NEXT ASSY 2162 6775 OF 2162 4785.
  - 4. ALL 14 PIN I.C.'S PIN 7 IS GND  
PIN 14 IS 5V
  - 3. ALL 16 PIN I.C.'S PIN 8 IS GND  
PIN 16 IS 5V.
  - 2. ALL CAPACITANCE VALUES IN MICROFARADS
  - 1. NUMBERS INSIDE CIRCLES INDICATES THE PAGE THE SIGNAL IS GENERATED OR TERMINATED ON.
- NOTES: UNLESS OTHERWISE SPECIFIED

ASSY NO.	2161 7287
LOC	PAGE
CO3	9

GENERAL NOTES: UNLESS OTHERWISE SPECIFIED, DIMENSIONS ARE IN INCHES UNLESS OTHERWISE SPECIFIED.

DESIGN: DATE: 10/1/73  
CHECKED: DATE: 10/1/73  
DRAWN: DATE: 10/1/73

PROPERTY OF SULLY CORPORATION. NOT TO BE REPRODUCED OR TRANSMITTED IN ANY FORM OR BY ANY MEANS WITHOUT THE WRITTEN CONSENT OF SULLY CORPORATION.

Buffington Corporation  
WESTLAKE VILLAGE, CALIF. 91380  
WESTLAKE PLANT  
U.S. AMERICA

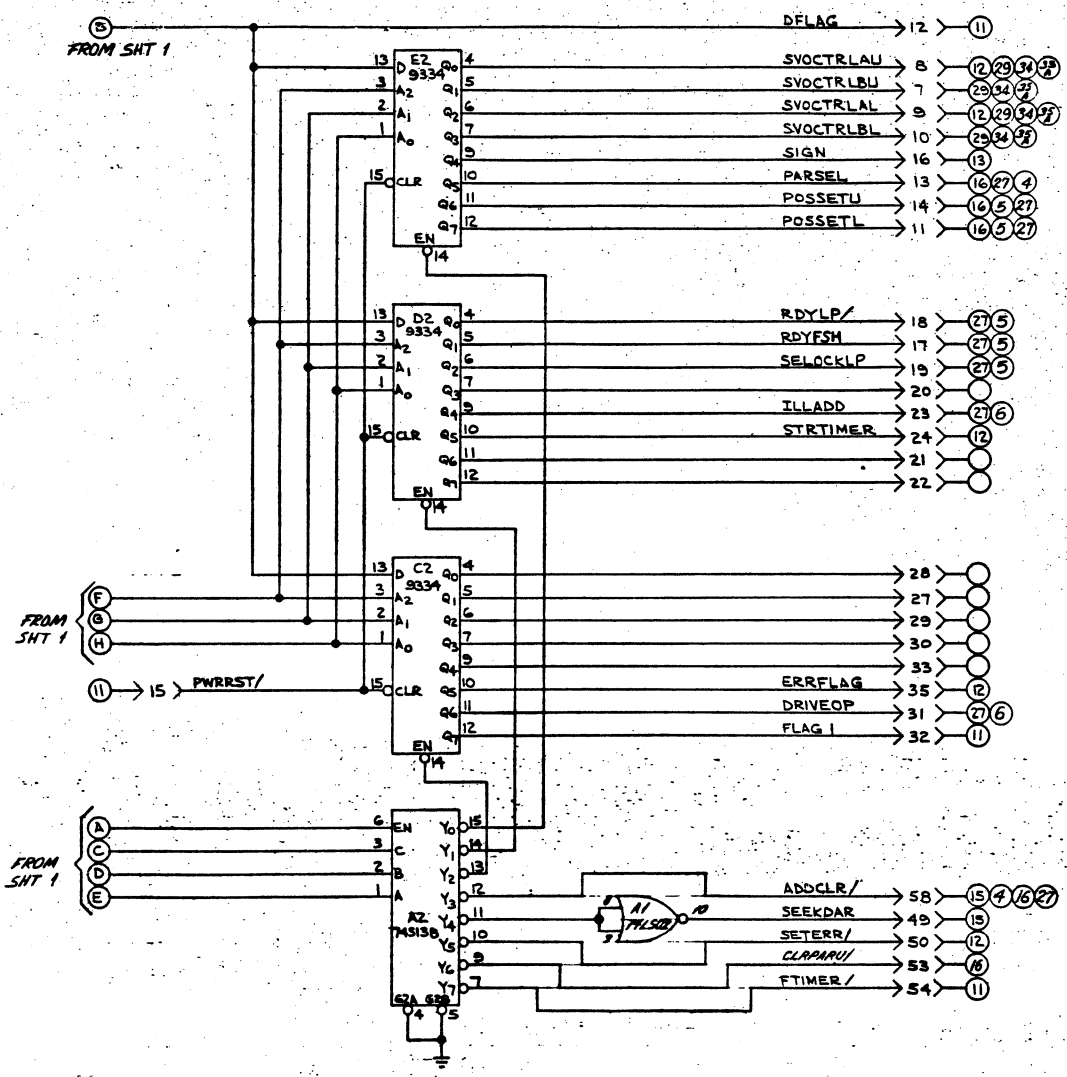
SCALE: 1:1  
SHEET 1 OF 2  
2161 7287 F

DRAWING NO. 2161 7287 F SHEET 1 OF 2

D 216 7287 F 2 of 2  
 SCHEM. DRIVE CONTROL F

216 7287-00000000  
 102-00000000

REVISION					
REV	CONT	DR	CHK	APPRO	DATE
SEE SH1					



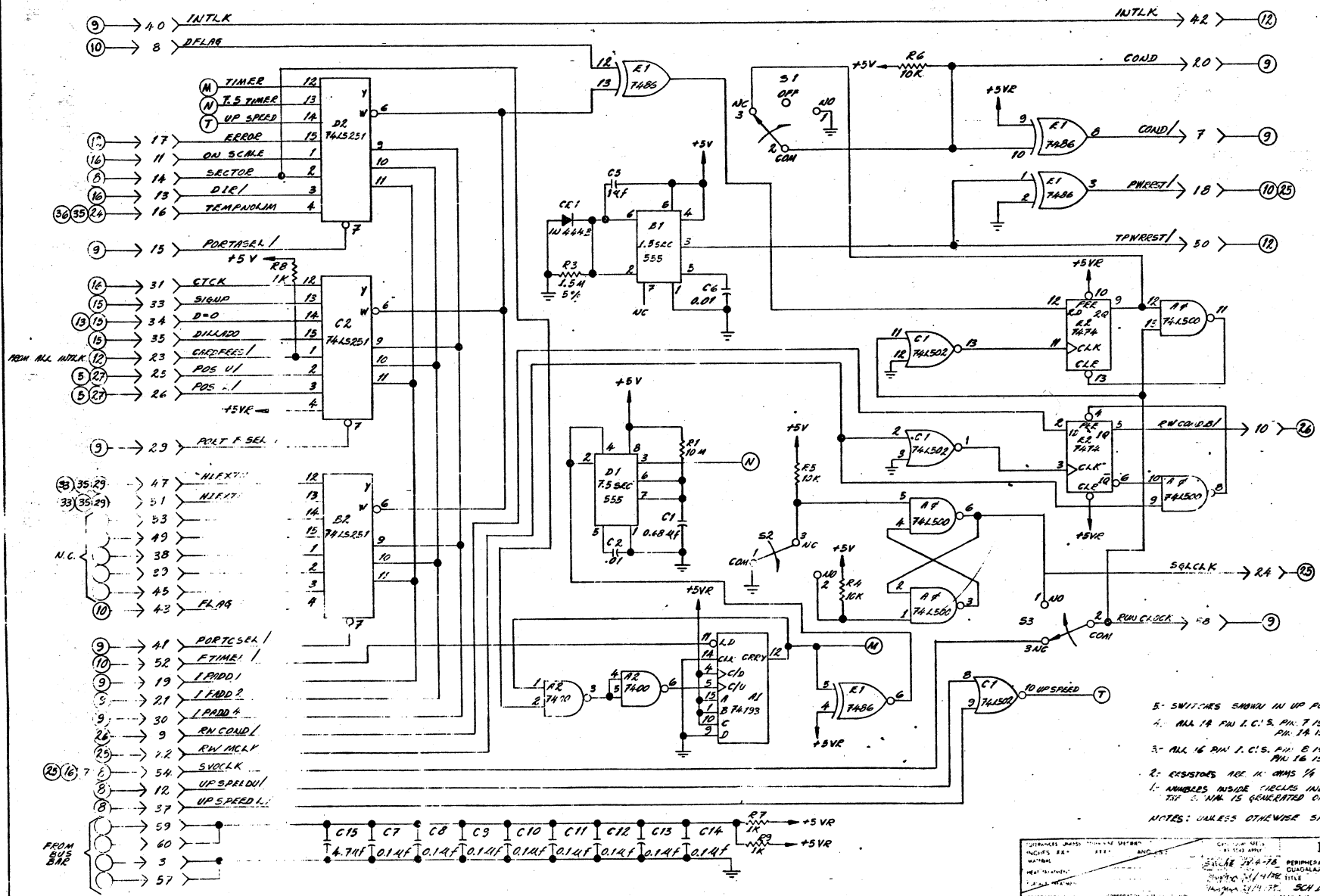
103

ASSY NO.	216 7287
LOC	PAGE
C03	10

TOLERANCES UNLESS OTHERWISE SPECIFIED				DATE	
FR	216 7287	DR	216 7287	DATE	2/2/72
REV	216 7287	CHK	216 7287	DATE	2/2/72
TREATMENT		DRY	216 7287	DATE	2/2/72
SURFACE TREATMENT		APPRO	216 7287	DATE	2/2/72
CLASS CODE	2-25 J2	DATE			
PROPERTY TO BURROUGHS CORPORATION NOT TO BE REPRODUCED NOR USED FOR MANUFACTURING PURPOSES EXCEPT ON BURROUGHS DRAWING OR FROM WRITTEN CONSENT				SCALE	SHEET 2 OF 2
				TITLE	216 7287 F

216 7287-00000000  
 102-00000000

REV	DATE	BY	CHK	APP	DATE
1	10/14/78	J.S.	M.H.		10/14/78
INITIAL RELEASE - WBS:EST:KCS					



- 5- SWITCHES SHOWN IN UP POSITION  
 4- ALL 14 PIN I.C.'S. PIN 7 IS GND  
 PIN 14 IS 5V  
 3- ALL 16 PIN I.C.'S. PIN 8 IS GND  
 PIN 16 IS 5V  
 2- RESISTORS ARE IN OHMS 1/4 W, 5%  
 1- NUMBERS INSIDE CIRCLES INDICATE THE PAGE  
 THE 5.7MΩ IS GENERATED OR TERMINATED ON  
 NOTES: UNLESS OTHERWISE SPECIFIED

104

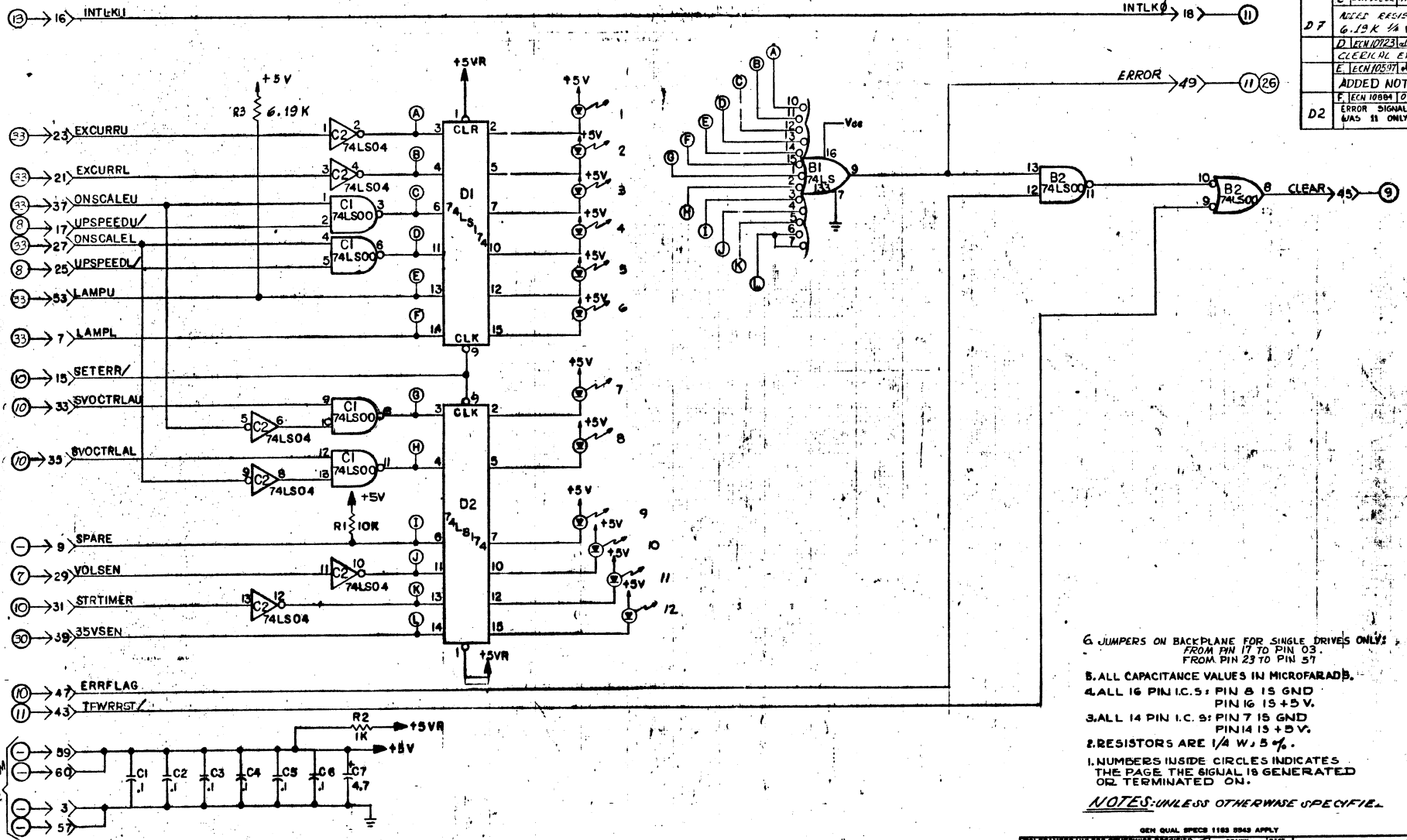
**Burroughs**

PERIPHERAL PRODUCTS GROUP  
 QUADAJARA, TX  
 DIVISION OF BURROUGHS CORPORATION  
 10 AUG 78 SCALE: 1:1  
 DRAWING NO. 2557 2425

D 2162 1B34 F Lot 1  
SCHEM. DRIVE CONTROL III

1 40 1 LINES  
P FBI 2912 ON DMS 2

REVISION						
ZONE	REV	CONT	DR	CHK	APPR.	DATE
	A	FEELIM	REP			
	B	EWG2403	DM	WJ	1/17/78	
	C	ANALYSIS	R.S.	A.G.	4/19/78	
D7		NEED RESISTOR				
	D	6.19K 1/4 W 2%				
	E	TECH 0723	WJ	WJ	12/11/78	
		CLEAR ADDRESS				
	F	TECH 10507	WJ	WJ	1/28/79	
		ADDED NOTE				
	G					
D2		TECH 10884	OV	WJ	1/22/79	
		ERROR SIGNAL TO PAG. 28 AND 11				
		WAS 11 ONLY				



6. JUMPERS ON BACKPLANE FOR SINGLE DRIVES ONLY:  
FROM PIN 17 TO PIN 03.  
FROM PIN 23 TO PIN 57
8. ALL CAPACITANCE VALUES IN MICROFARADS.
4. ALL 16 PIN I.C.'S: PIN 8 IS GND  
PIN 16 IS +5V.
3. ALL 14 PIN I.C.'S: PIN 7 IS GND  
PIN 14 IS +5V.
2. RESISTORS ARE 1/4 W 5%.
1. NUMBERS INSIDE CIRCLES INDICATES THE PAGE THE SIGNAL IS GENERATED OR TERMINATED ON.
- NOTES: UNLESS OTHERWISE SPECIFIED.

ASSEMBLY  
2162 1B34  
LOC PAGE  
COS 12

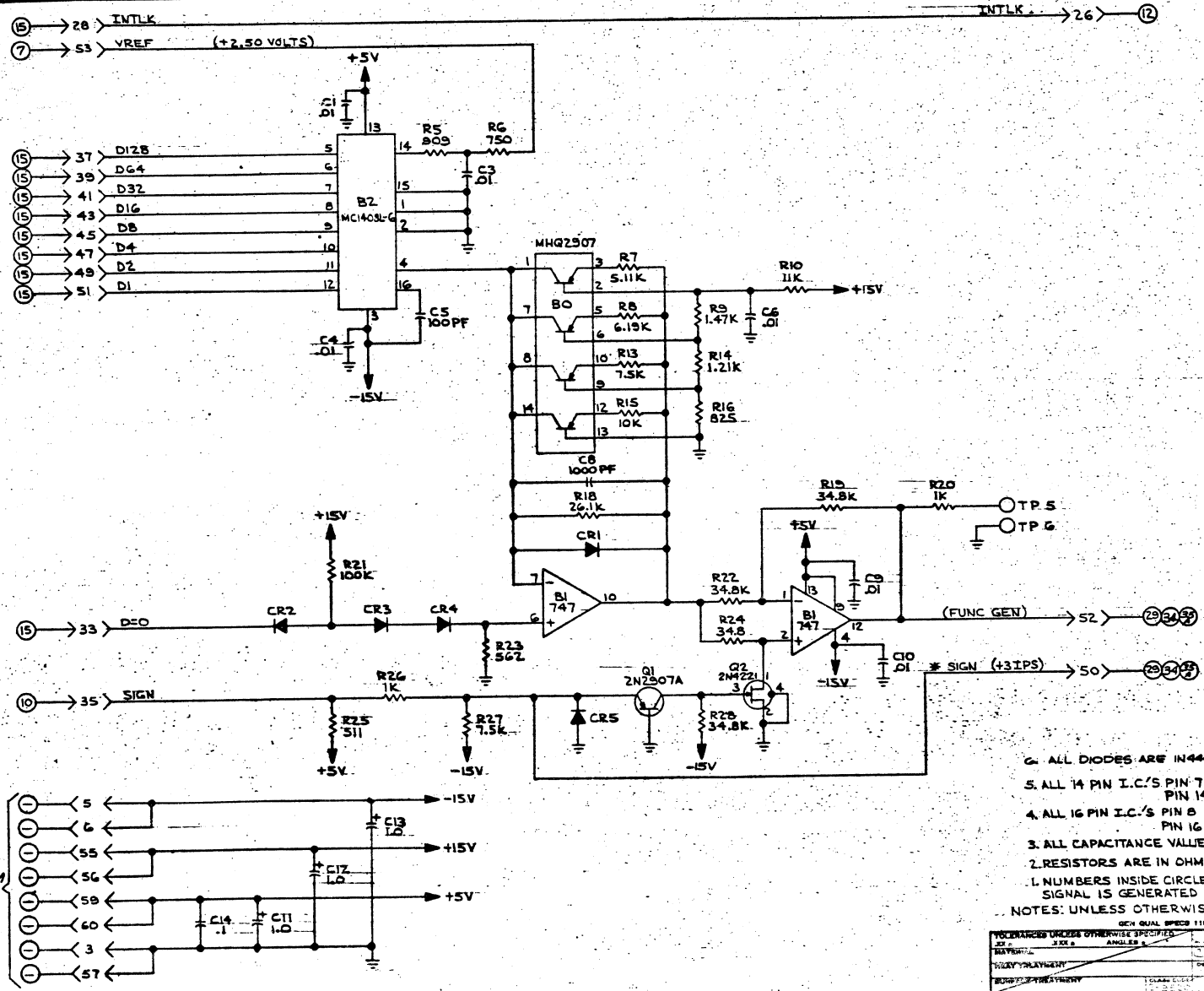
GEN QUAL SPECS 1183 8845 APPLY				Burroughs Corporation	
TOLERANCES UNLESS OTHERWISE SPECIFIED	DRAWN	DATE	REP/CHG	DATE	DATE
MATERIAL	XXX 2	ANGLES	REP/CHG	6-11-78	
TREAT TREATMENT					
SURFACE TREATMENT					
PROPERTY TO BURROUGHS CORPORATION. NOT TO BE REPRODUCED FOR USE FOR MANUFACTURING PURPOSES EXCEPT ON BURROUGHS OFFICE OR FROM WRITTEN CONSENT.			SCALE NONE		
SHEET 7			SHEET 7		
D 2162 1B34 F			D 2162 1B34 F		

D 2161 7360 C 1062  
Schem - Servo Preamp

2 of 2 SHEETS  
0921 1272 000 0000

REVISION				
REV	CONT	BY	CHK	APPD DATE
A	PRELIM	SR		
B	ED 62403	SR	100	7/2/62
C	REV 0223	SR	100	8/1/62

ALL HIGH ERRORS 19



- 6. ALL DIODES ARE IN4448.
  - 5. ALL 14 PIN I.C.'S PIN 7 IS GND  
PIN 14 IS 5V
  - 4. ALL 16 PIN I.C.'S PIN 8 IS 5V  
PIN 16 IS 5V
  - 3. ALL CAPACITANCE VALUES IN MICROFARADS.
  - 2. RESISTORS ARE IN OHMS 1/4W, 22%.
  - 1. NUMBERS INSIDE CIRCLES INDICATES THE PAGE THE SIGNAL IS GENERATED OR TERMINATED ON.
- NOTES: UNLESS OTHERWISE SPECIFIED

ASSY. NO.	2161 7345.
LOC.	PAGE
C06	13

GEN. QUAL. SPEC. 1189 0849 APPLY

DESIGNED BY	DATE	DESIGNED BY	DATE
CHECKED BY	DATE	CHECKED BY	DATE
APPROVED BY	DATE	APPROVED BY	DATE

PROPERTY OF BURGESS CORPORATION  
ALL RIGHTS RESERVED

Burgess Corporation  
ONE PAGE PRODUCTS  
VILLAGE VILLAGE, CALIF. 91380  
WESTLAKE PLANT  
U.S. AIR FORCE

TITLE: SCHEM. SERVO PREAMP  
SCALE: SHEET 2 OF 2  
DWG. NO. 2161 7360 C

106

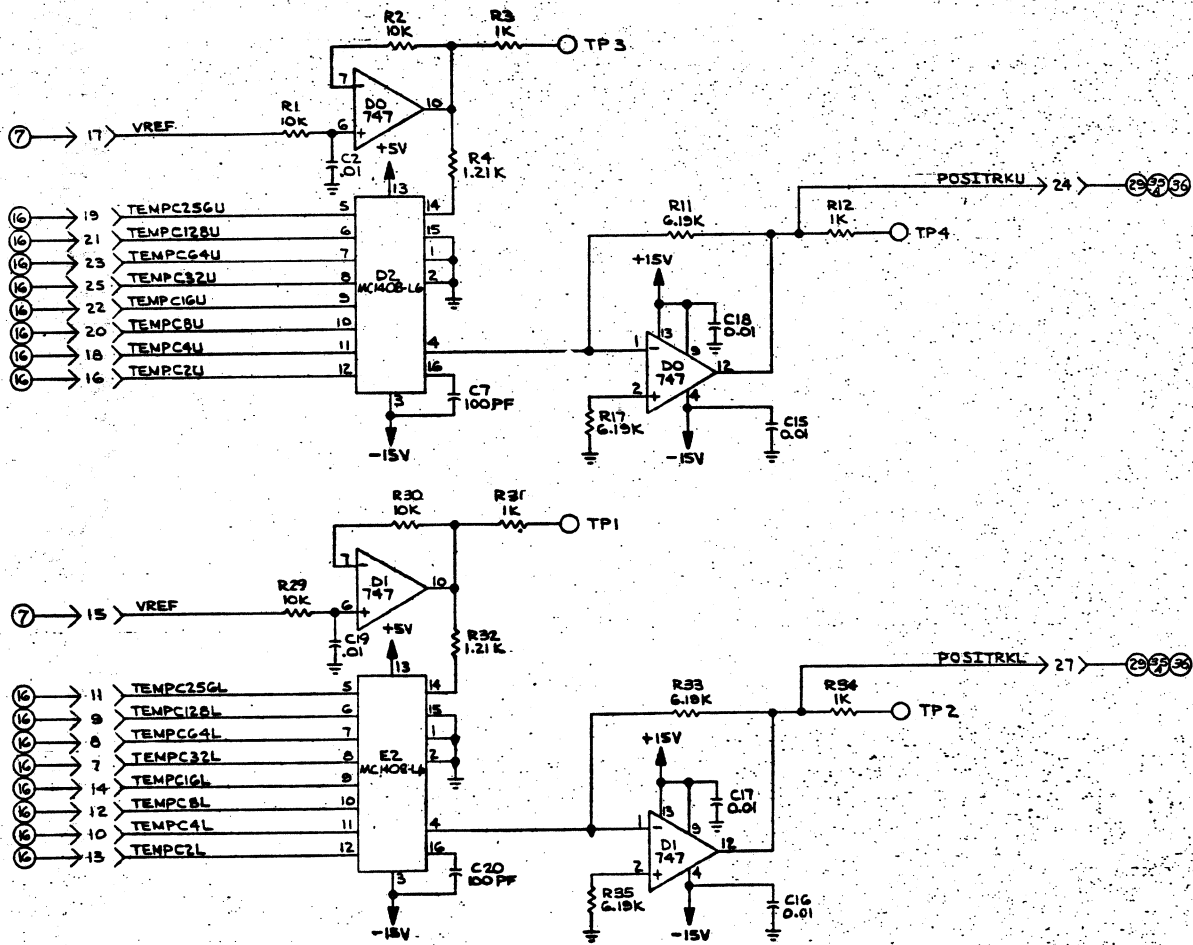
0921 1272 000 0000



D 2161 7360 - 2 of 2  
Schem - Servo Preamp

2 of 2  
09EL 101Z ON SAMP

REVISION					
REV	CONT	DR	CHR	APPD	DATE
C	SEE SHT 1				

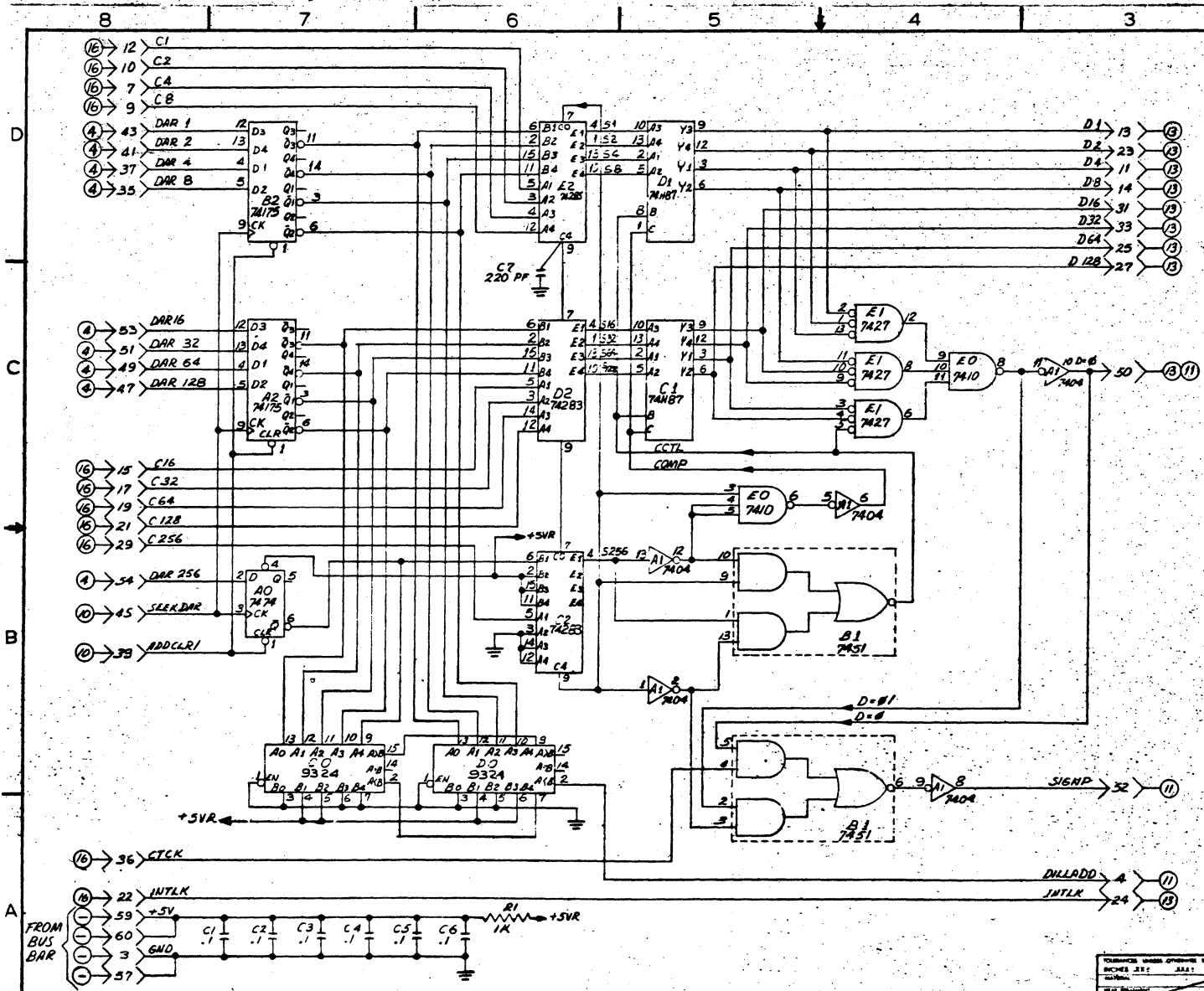


107

ASSY NO.	2161 7345
LOC	PAGE
COG	14

DESIGN		CHECKED		DATE	
DESIGNED BY	DATE	CHECKED BY	DATE	APPROVED BY	DATE
TITLE: SCHEM, SERVO PREAMP SHEET 2 OF 2 Dwg No. 2161 7360 C					

REVISION					
REV	CONT	OR	CHK	APPD	DATE
A	WA	1022	1	1	10-11-71
INITIAL RELEASE!					
WMS: 2162 3913					



3- CAPACITANCE VALUES ARE IN MICROFARADS.  
 2- RESISTANCE VALUES ARE IN OHMS.  
 1- W ± 5%  
 1- ○ INDICATES THE PAGE THE SIGNAL IS GENERATED OR TERMINATED ON.  
 NOTES: UNLESS OTHERWISE SPECIFIED...

ASSY NO.	2857 1610
A.O.C. PAGE	C-07 15

**Burroughs**

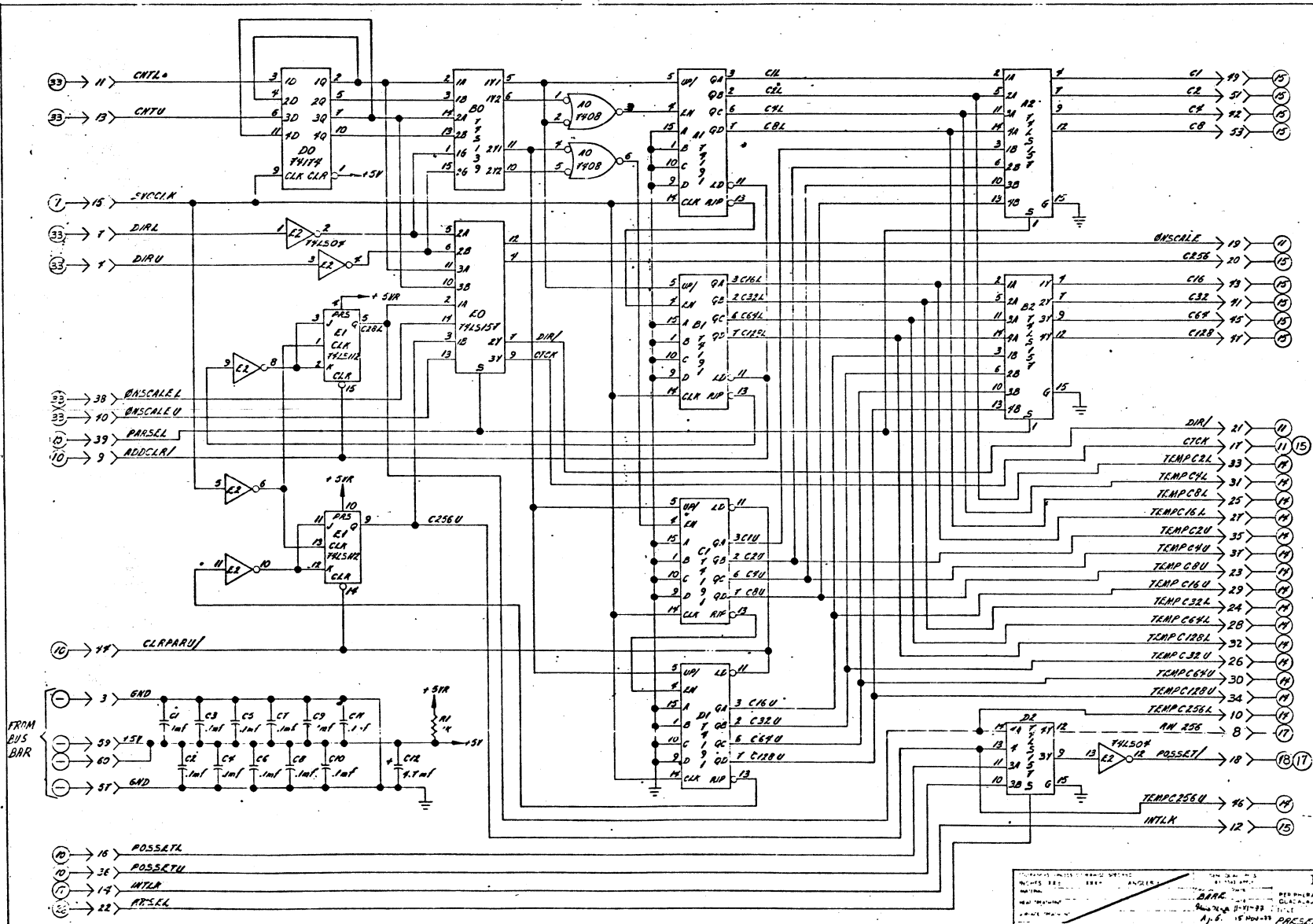
PERFORMANCE UNDER STRESS TESTED  
 BURROUGHS 3000  
 BURROUGHS 3000  
 BURROUGHS 3000

CLASS CODE  
 108

SCALE ADDRESS COMPARE 2011 2-9520  
 108 2857 2824

108

REVISION	
A	REVISED DATE: 11/11/78
B	REVISED DATE: 11/11/78
C	REVISED DATE: 11/11/78
D	REVISED DATE: 11/11/78



ASSY N°  
2857 1776  
LOC PAGE  
C8 15

Burroughs

PERIPHERAL PRODUCTS GROUP  
CLARK-PARKS BUILDING  
PHILADELPHIA, PA. 19103

DATE: 11/11/78  
REVISED: 11/11/78  
BY: JY

PRESENT ADDRESS: 2-9520  
REV. 1-1-D-2857 1972

D 2161 7402 F 1 of 2  
 SYSTEM - WRITE ENCODER

2024 1712 2000 2

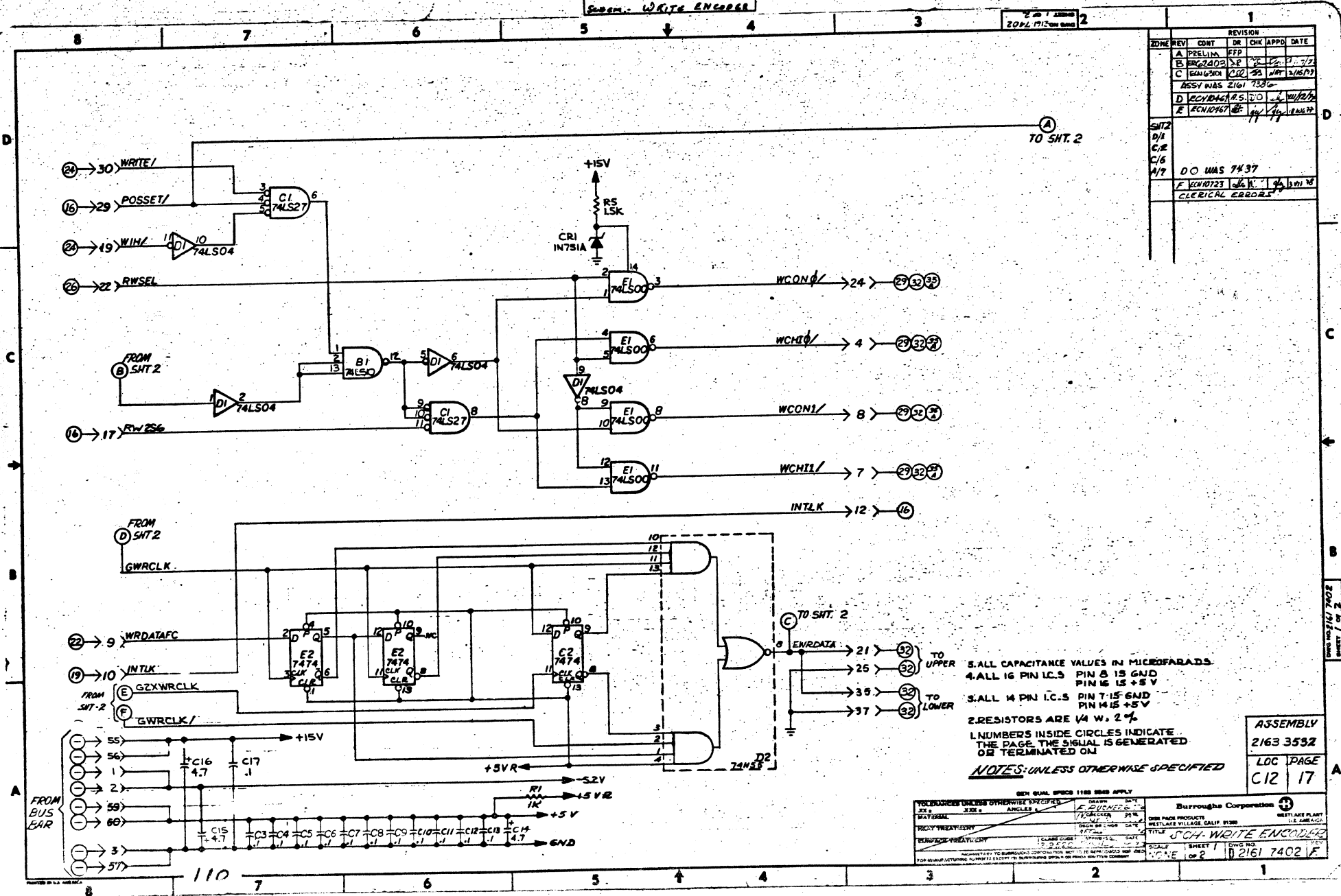
REVISION						
ZONE	REV	CONT	DR	CHK	APPD	DATE
A	PRELIM	FFP				1/15
B	ENG 2402	XP				2/15/73
C	REVISION	CLD	SS			2/15/73
ASSY WAS 2161 7330						
D	CONTRACT R.S.D.O.					1/15/73
E	CONTRACT R.S.D.O.					1/15/73

SMT2  
 D/A  
 C/R  
 C/S  
 M/P

D.O. WAS 7437

F. CONN 723

CLERICAL ERROR



- 5. ALL CAPACITANCE VALUES IN MICROFARADS.
  - 4. ALL 16 PIN I.C.S PIN 8 15 GND PIN 16 IS +5V
  - 3. ALL 14 PIN I.C.S PIN 7 IS GND PIN 14 IS +5V
  - 2. RESISTORS ARE 1/4 W. 2%
  - 1. NUMBERS INSIDE CIRCLES INDICATE THE PAGE THE SIGNAL IS GENERATED OR TERMINATED ON
- NOTES: UNLESS OTHERWISE SPECIFIED

ASSEMBLY  
 2163 3532  
 LOC PAGE  
 C12 17

REV. QUIL. SPEC. 1182 8845 APPLY

FEEDBACKS UNLESS OTHERWISE SPECIFIED

DATE: 1/15/73

DESIGNER: F. J. RICHARDS

DRAWN: J. J. RICHARDS

CHKD: J. J. RICHARDS

DATE: 1/15/73

SCALE: NONE

SHEET: 2 OF 2

DWG NO: 2161 7402 F

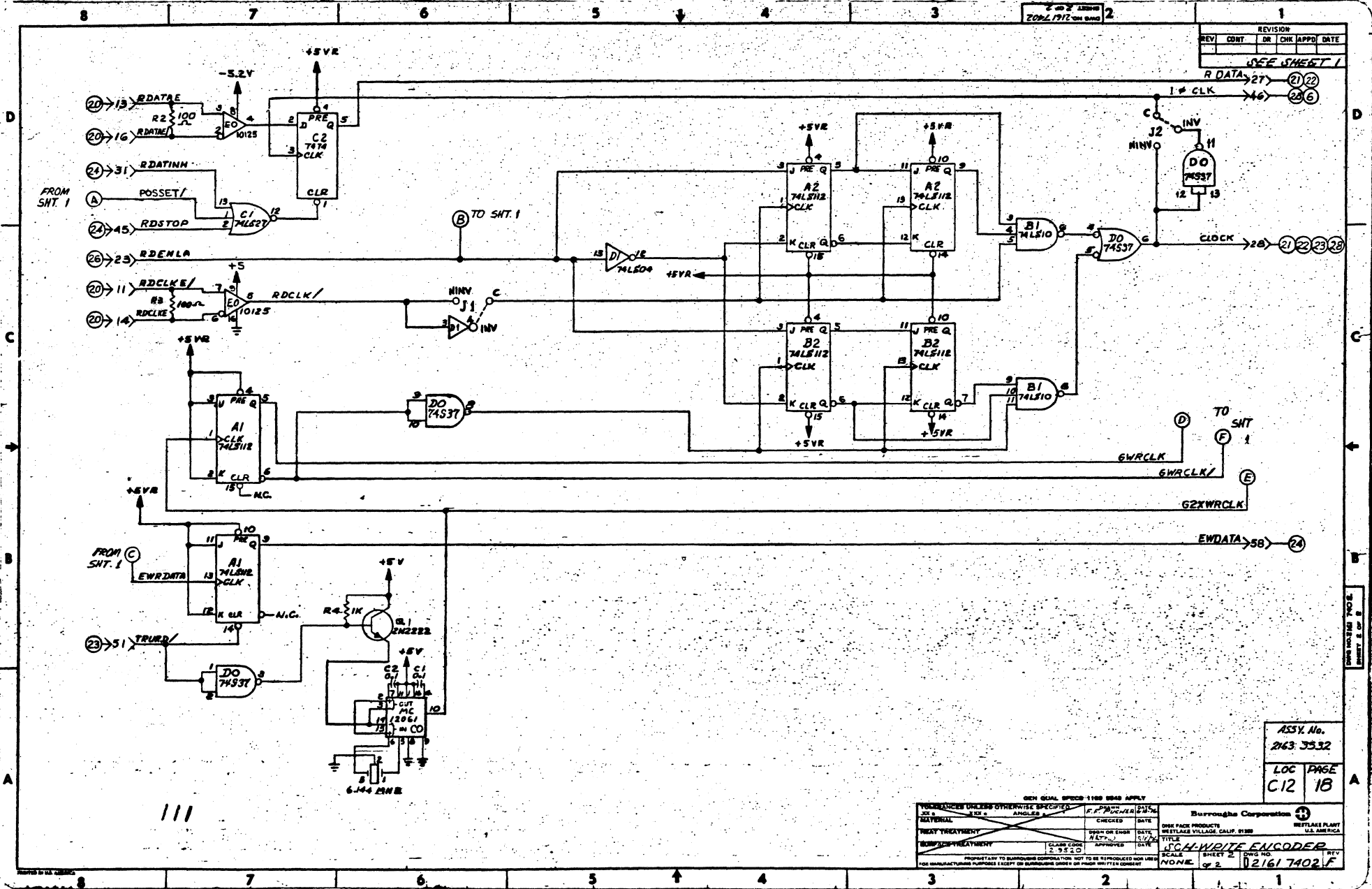
Burroughs Corporation

WHATEAS PLANT  
 U.S. AERIALCO

FOR MANUFACTURING PURPOSES EXCEPT AS SHOWN WITHIN THIS DRAWING

D 2161 7402 F 2002  
Screen-Write Encoder

REVISION				
REV	CONT	DR	CHK	APPD DATE
SEE SHEET 1				



ASSY. No.  
263 3532  
LOC PAGE  
C12 18

MATERIAL		CHECKED		DATE		Burrage Corporation	
DATE	DATE	DATE	DATE	DATE	DATE	DATE	DATE
TIME	TIME	TIME	TIME	TIME	TIME	TIME	TIME
CLASS CODE				2.9520			
FOR MANUFACTURING PURPOSES (COPY OR BURRAGE CODES ON EACH PART) (COPY)				NONE			

ONE PAGE PRODUCTS  
WESTLAK VILLAGE, CALIF. 91380  
TITLE  
SCALE  
SHEET 2 OF 2  
2161 7402 F

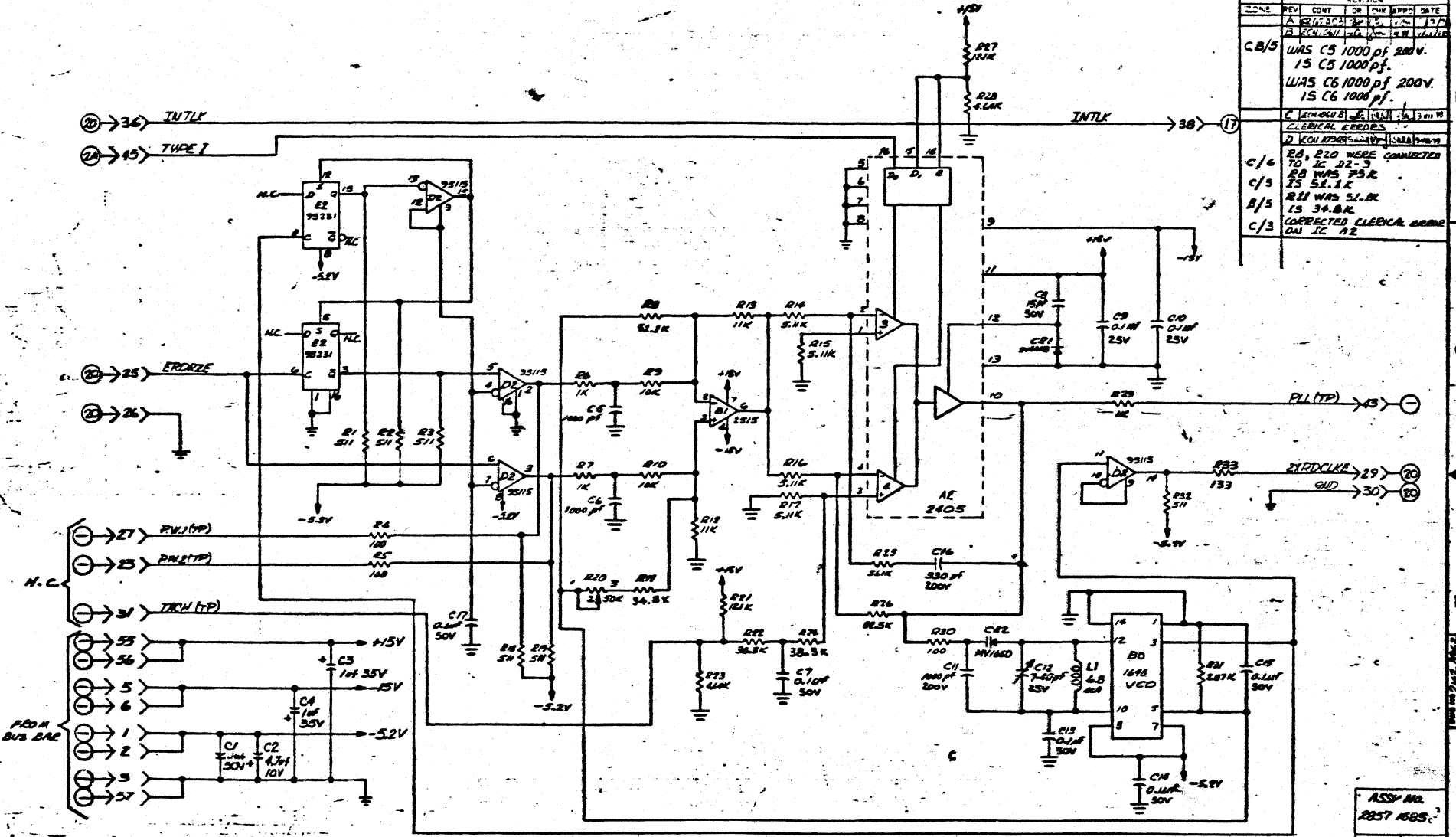
D 2162 3962 D Lot 1  
 SCHEM - TIMING RECOVERY UNIT

REV	CONT	DR	CHK	APPD	DATE
A	21/23/62	...	...	...	7/7
B	22/24/62	...	...	...	12/8
C	25/25/62	...	...	...	1/10/63
D	26/26/62	...	...	...	1/10/63

REVISION

C/B/5 WAS C5 1000 pf 200V.  
 15 C5 1000 pf.  
 WAS C6 1000 pf 200V.  
 15 C6 1000 pf.

C/6 R8, R20 WERE CONNECTED TO IC 22-5  
 R9 WAS 75.8K  
 C/5 R21 WAS 51.1K  
 B/5 R21 WAS 51.1K  
 15 34.8K  
 C/3 CORRECTED ELECTRICAL BOARD ON IC A2



- SEE FACE OF DMS FOR ITS PWD AND SMD
  - ALL CAPTIONS ARE IN MICROFARADS
  - NUMBERS INSIDE CIRCLES INDICATE PULSE INVERTER THAT THE SIGNAL IS GENERATED OR TERMINATED ON
  - ALL RESISTORS ARE 1% W ± 2%
- NOTES: UNLESS OTHERWISE SPECIFIED

TOLERANCES UNLESS OTHERWISE SPECIFIED		Burrage Corporation	
MATERIAL	2162 3962 D	DATE	1/10/63
DESIGN	2162 3962 D	SCALE	1:1
DATE	1/10/63	SHEET	1 OF 1
DRAWN BY: [Signature]		CHECKED BY: [Signature]	
APPROVED BY: [Signature]		DATE: 1/10/63	
TITLE: SCHEM - TIMING RECOVERY UNIT		DRAWING NO. D 2162 3962 D	

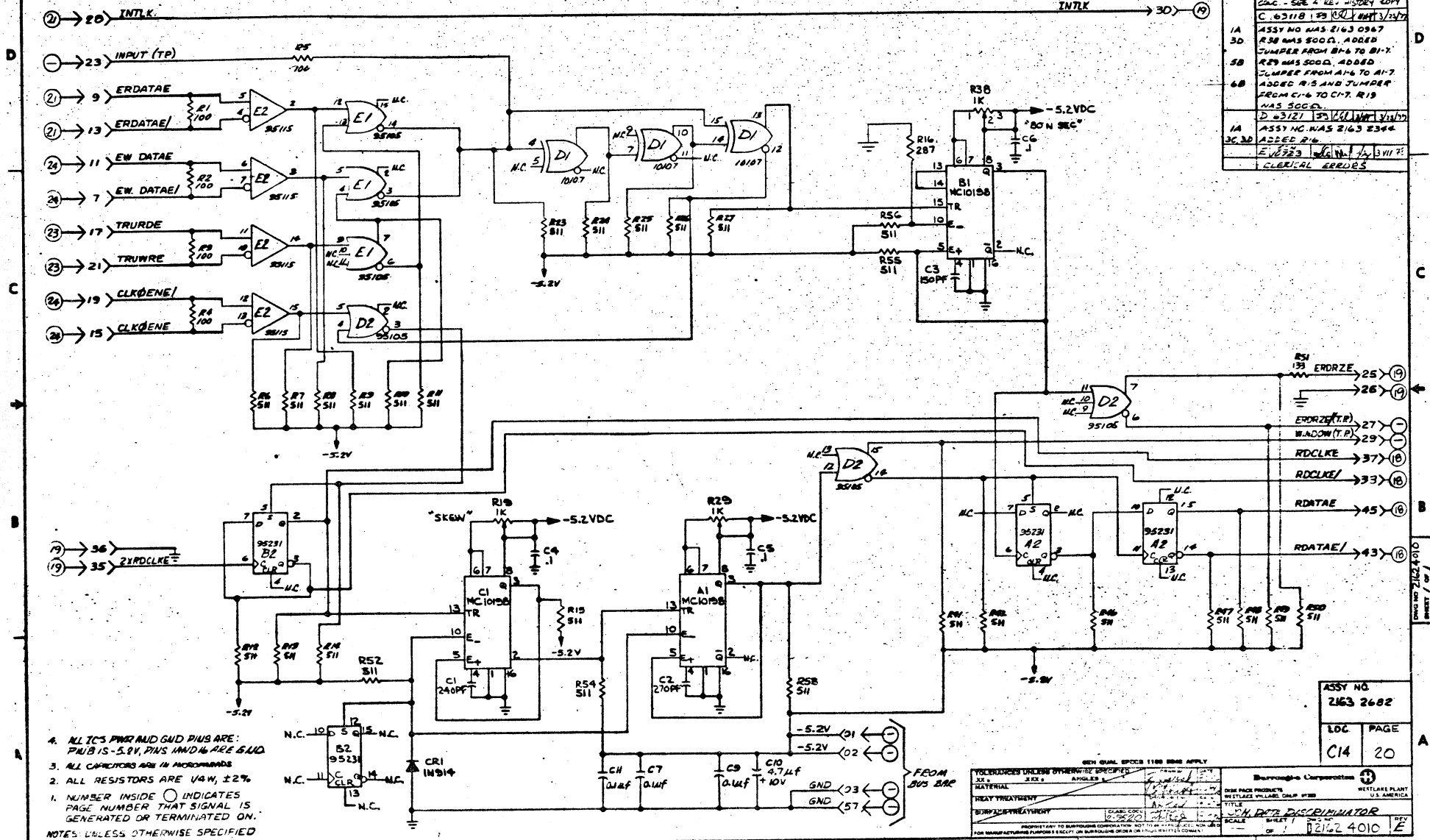
112

D2163 4010 Rev E  
Data Discriminator

10/1

010P 212

REV	DATE	BY	CHK	APPD	DATE
A	12-22-53	SM	CG	MM	1/1/54
B	1-27-54	SP	CG	MM	3/1/54
COMPLETE REVISION - SEE 4 REV. HISTORY COPY					
C	6-31-58	SP	CG	MM	3/1/59
1A	ASSY NO WAS 2163 0967				
3D	R38 WAS 500Ω, ADDED JUMPER FROM B4 TO B1-X				
5B	R29 WAS 500Ω, ADDED JUMPER FROM A1-6 TO A1-7				
6B	ADDED R15 AND JUMPER FROM C1-6 TO C1-7. R19 WAS 500Ω.				
D	6-31-57	SP	CG	MM	3/1/57
1A	ASSY NO WAS 2163 2344				
3C, 3D	ADDED R16				
EVEN 23 1/2 IN. 1/4 3/11/55					
CLERICAL ERRORS					



1. NUMBER INSIDE ○ INDICATES PAGE NUMBER THAT SIGNAL IS GENERATED OR TERMINATED ON.
  2. ALL RESISTORS ARE 1/4W, ±2%.
  3. ALL CAPACITORS ARE IN MICROFARADS.
  4. ALL IC'S PWR AND GND PINS ARE: PWR IS -5.2V, PINS INVOLVED ARE GND.
- NOTE: UNLESS OTHERWISE SPECIFIED

ASSY NO  
2163 2682

LDC	PAGE
C14	20

GEN. QUAL. SPEC. 1188 8888 APPLY

TOLERANCES UNLESS OTHERWISE SPECIFIED:

SIZE	ANGLES
MATERIAL	
TREAT TREATMENT	
SURFACE TREATMENT	

WESTLAKES PLANT U.S. AMERICA

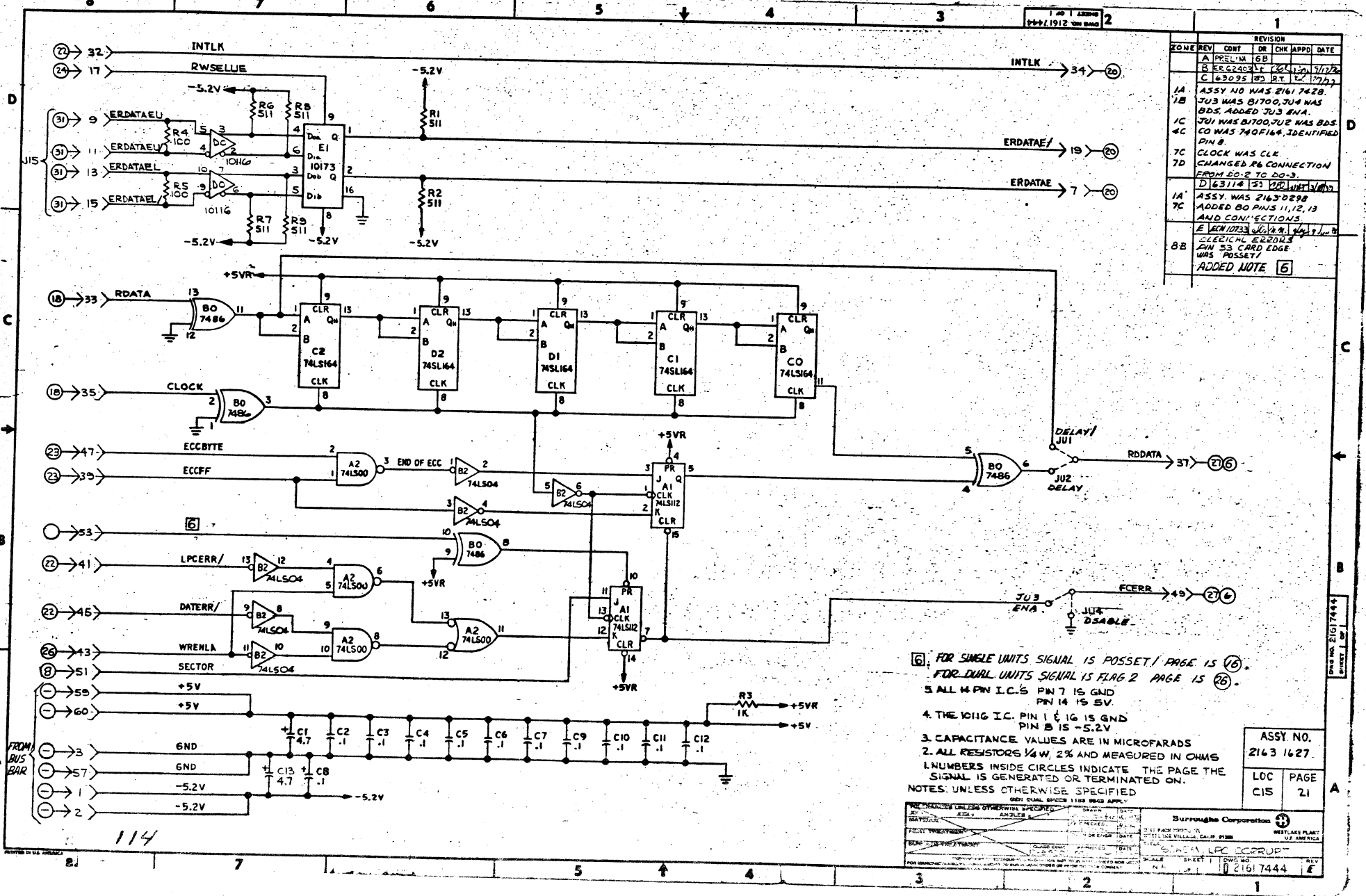
WESTLAKES PLANT U.S. AMERICA

SCALE: 1/8" = 1"

DATE: 12/12/50

REV: E

D 2163 7444 E 1001  
SERVO-LPC CORRUPT



ZONE	REV	CONT	DR	CHK	APPD	DATE
A	PRELIM	168				
B	62403	168				5/1/72
C	63095	169	R.T.			7/1/72
1A						ASSY NO WAS 21617428
1B						JU3 WAS B1700, JU4 WAS B.D.S. ADDED JU3 ENA.
1C						JU1 WAS B1700, JU2 WAS B.D.S. CO WAS 740F164, IDENTIFIED PIN 8.
1D						CLOCK WAS CLK.
7D						CHANGED R6 CONNECTION FROM 20-2 TO 20-3.
						D163114 133 R6 WIPY/10/72
1A						ASSY. WAS 21630298
7C						ADDED BO PINS 11, 12, 13 AND CONNECTIONS.
						E16N10733 10/29/72 J.P.
8B						CLOCK ERRORS AND 53 CARD EDGE WAS POSSET! ADDED NOTE [6]

[6] FOR SINGLE UNITS SIGNAL IS POSSET! PAGE IS (16).  
FOR DUAL UNITS SIGNAL IS FLAG 2 PAGE IS (26).  
3 ALL H PIN I.C.'S PIN 7 IS GND  
PIN 14 IS 5V.  
4. THE 10116 I.C. PIN 1 & 16 IS GND  
PIN 8 IS -5.2V.  
3. CAPACITANCE VALUES ARE IN MICROFARADS  
2. ALL RESISTORS 1/4W 2% AND MEASURED IN OHMS  
1. NUMBERS INSIDE CIRCLES INDICATE THE PAGE THE  
SIGNAL IS GENERATED OR TERMINATED ON.  
NOTES: UNLESS OTHERWISE SPECIFIED  
GEM DUAL SPACES 1184 BRCS APPL.

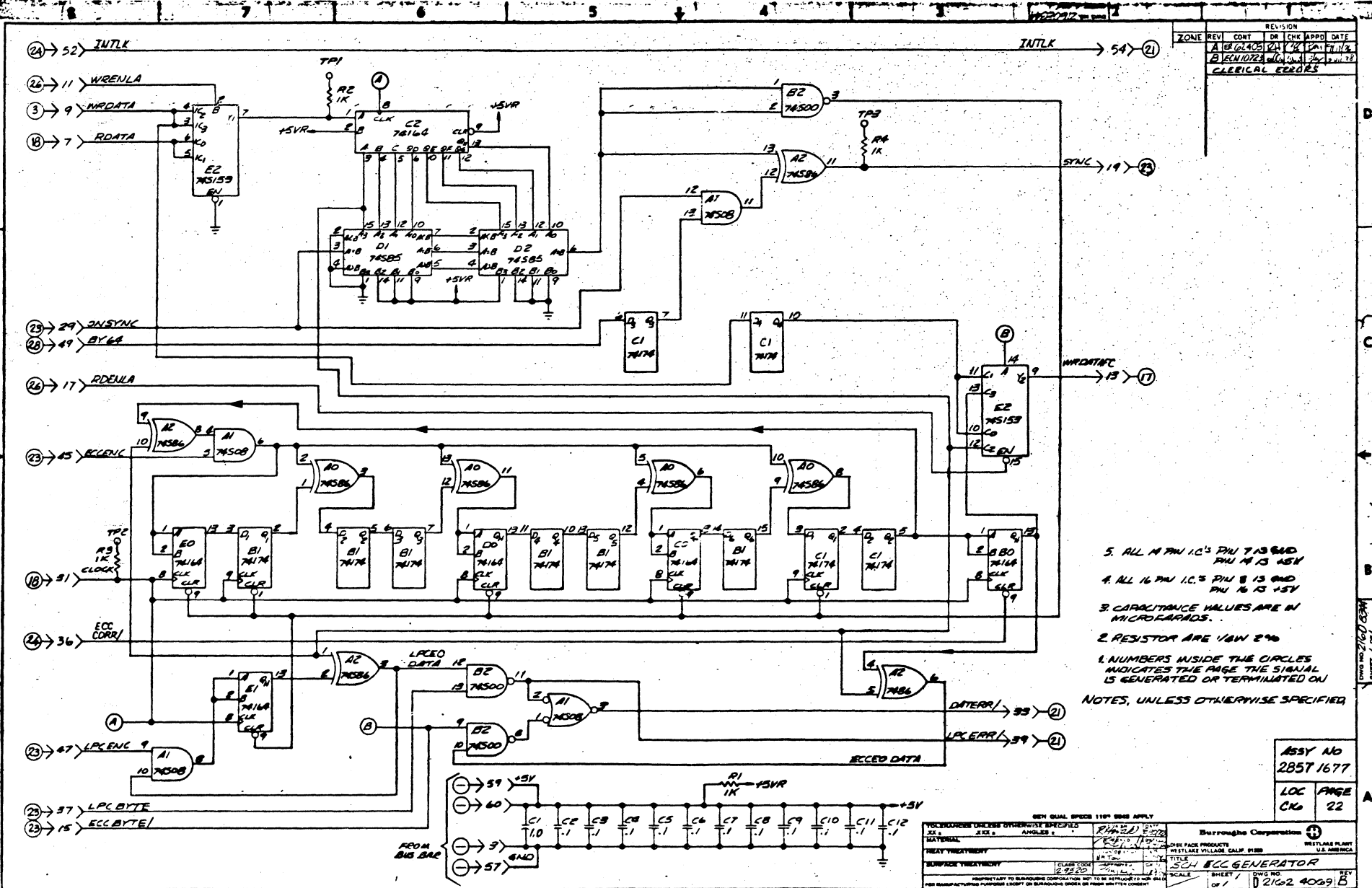
ASSY NO. 2163 1627.	
LOC CIS	PAGE 21

DESIGNED BY	DATE	DR	DATE	CHK	DATE
APPROVED BY					
Buffington Corporation					
SERVO-LPC CORRUPT					
SHEET 1 OF 2					
21617444					

114



D2162 469 B 1st  
SCH - ECC GENERATOR



- 5. ALL 16 PIN I.C.'S PIN 7 IS GND  
PIN 14 IS +5V
  - 4. ALL 16 PIN I.C.'S PIN 8 IS GND  
PIN 16 IS +5V
  - 3. CAPACITANCE VALUES ARE IN MICROFARADS.
  - 2. RESISTORS ARE 1/8W 5%.
  - 1. NUMBERS INSIDE THE CIRCLES INDICATES THE PAGE THE SIGNAL IS GENERATED OR TERMINATED ON.
- NOTES, UNLESS OTHERWISE SPECIFIED

ASSY NO  
2857 1677

LOC PAGE  
CNV 22

REV QUAL SPEC 1104 9888 APPLY

DESIGNER: [Signature] DATE: [Date]

CHECKED: [Signature] DATE: [Date]

DRAWN: [Signature] DATE: [Date]

DATE: [Date]

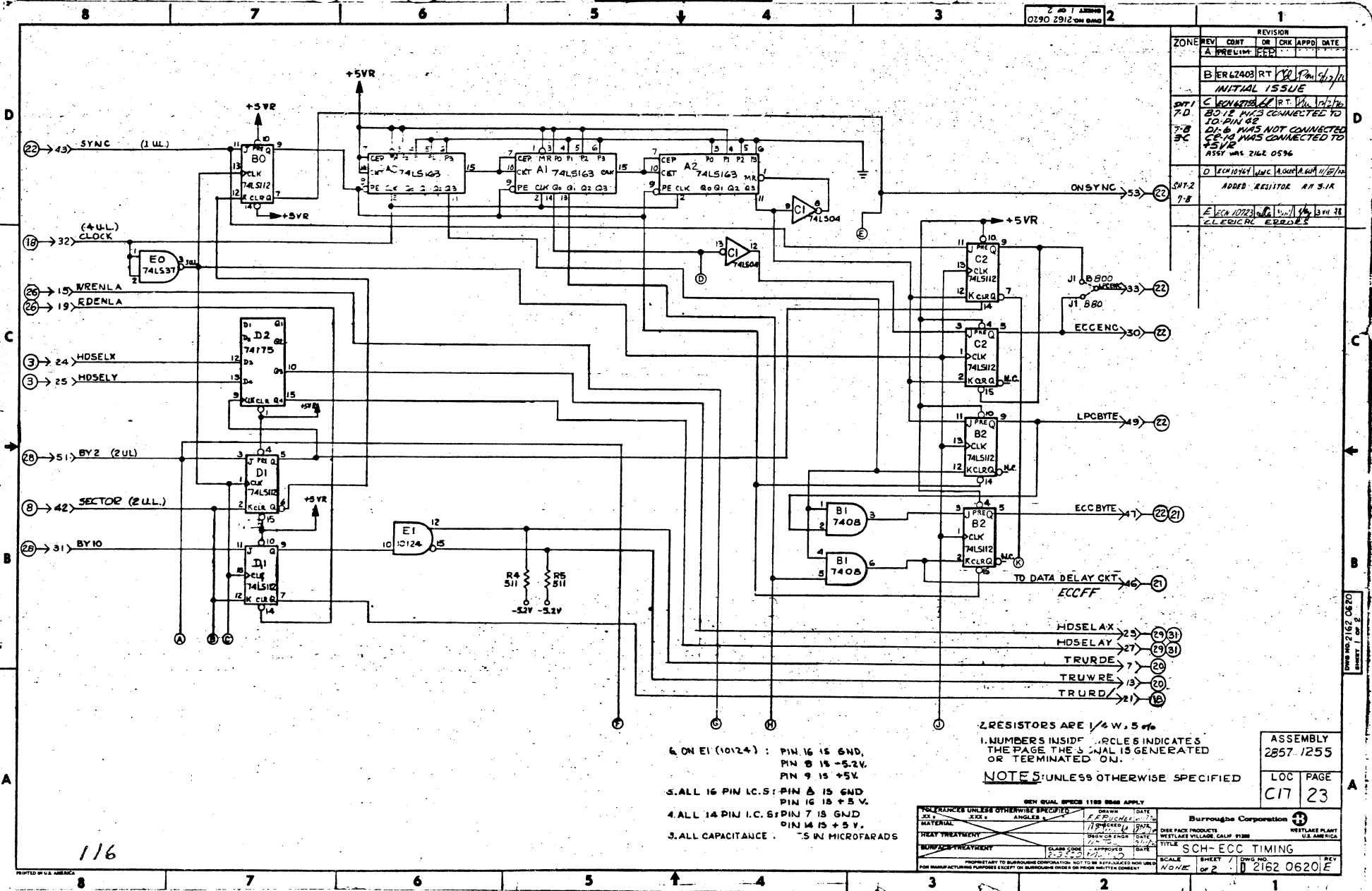
SCALE: [Scale]

SHEET: [Sheet Number] OF [Total Sheets]

2162 4069 B

D 2162 0620 E 1 of 2  
SCH - ECC TIMING

2 AND 1 APPROVED  
0290 2912 ON CARD



ZONE	REVISION					
	REV	CONT	OR	CHK	APPR	DATE
A	PRELIM					
B	ERL2403	RT				12/17/70
INITIAL ISSUE						
C	REVISION	RT				1/15/71
B018 WAS CONNECTED TO TO PIN 02 Q1-B WAS NOT CONNECTED C0-10 WAS CONNECTED TO +5VR ASSY WAS 2162 0596						
D	ECH 10767	UNC	AWM	AWM		11/17/70
ADDED RESISTOR R17 5.1K						
E	ECH 10723	AWM	AWM	AWM		13/11/70
ELECTRICAL ERRORS						

- 4. ON E1 (10124): PIN 16 IS GND, PIN 9 IS -5.2V, PIN 9 IS +5V.
- 5. ALL 16 PIN IC'S: PIN 6 IS GND, PIN 16 IS +5V.
- 4. ALL 14 PIN IC'S: PIN 7 IS GND, PIN 14 IS +5V.
- 3. ALL CAPACITANCE . . . . .5 IN MICROFARADS

2. RESISTORS ARE 1/4 W. 5%  
1. NUMBERS INSIDE CIRCLES INDICATES THE PAGE THE SIGNAL IS GENERATED OR TERMINATED ON.  
NOTES: UNLESS OTHERWISE SPECIFIED

ASSEMBLY 2857.1255	
LOC C17	PAGE 23

TOLERANCES UNLESS OTHERWISE SPECIFIED		DRAWN DATE		BUFFALO BRIDGE CORPORATION	
MATERIAL	SCALE	1/8" = 1"	1970	BUFFALO BRIDGE CORPORATION	
REWORK TREATMENT	DATE	1/15/71	1970	BUFFALO BRIDGE CORPORATION	
BURND-IN TREATMENT	DATE			BUFFALO BRIDGE CORPORATION	
PROPERTY TO BUFFALO BRIDGE CORPORATION, NOT TO BE REPRODUCED NOR USED FOR MANUFACTURING PURPOSES EXCEPT ON BUFFALO BRIDGE OR FROM WRITTEN CONSENT		SCALE NONE		SHEET OF 2	
TITLE SCH - ECC TIMING		DWG. NO. D 2162 0620 E		REV	

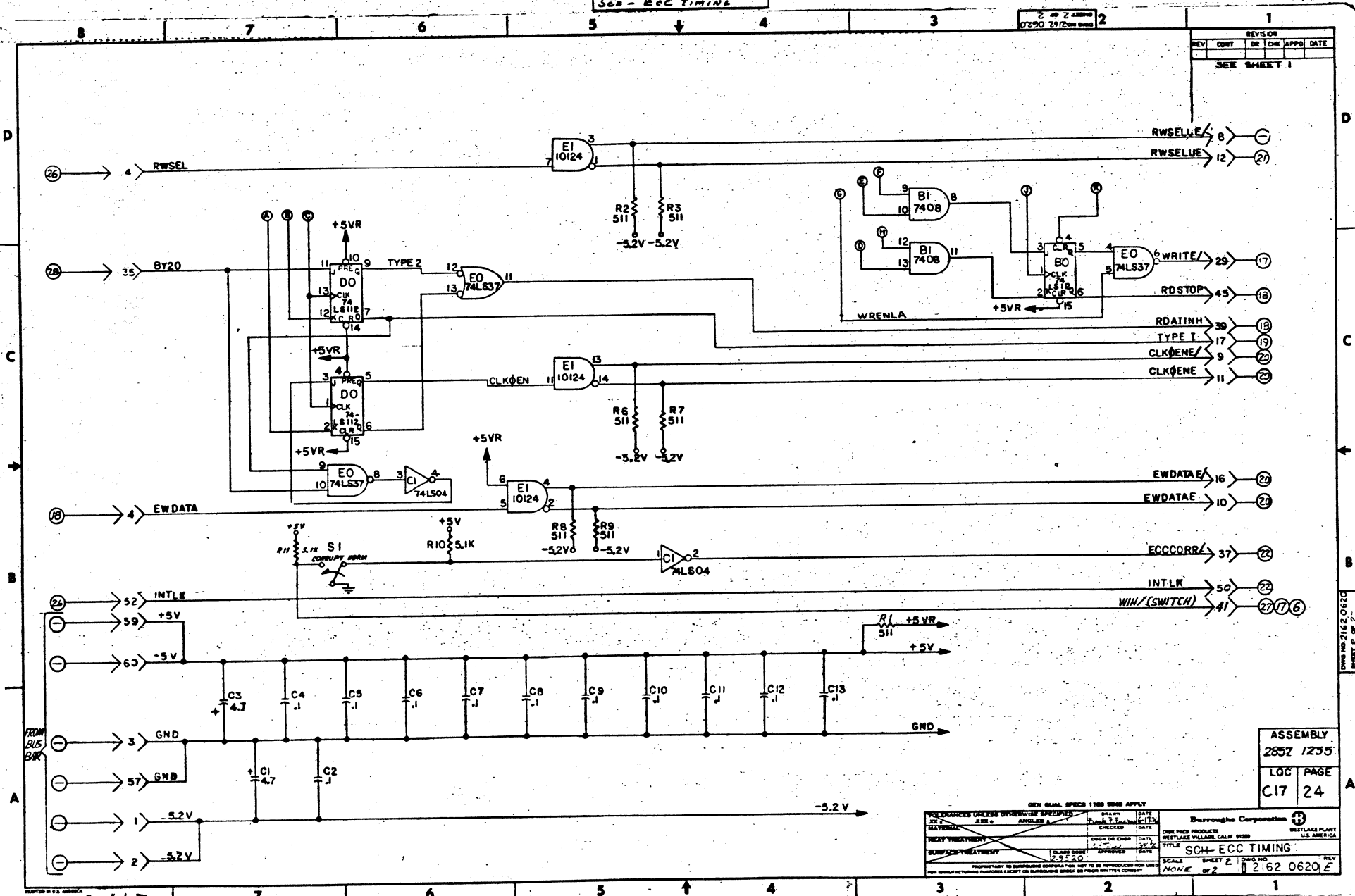
116

DWG NO. D 2162 0620  
SHEET 1 OF 2

02162-0620 E 2 of 2  
SCH - ECC TIMING

2 OF 2 SHEETS  
0790 21/2000 0000 2

REVISION					
REV	CDT	DE	CHK	APPD	DATE
SEE SHEET 1					

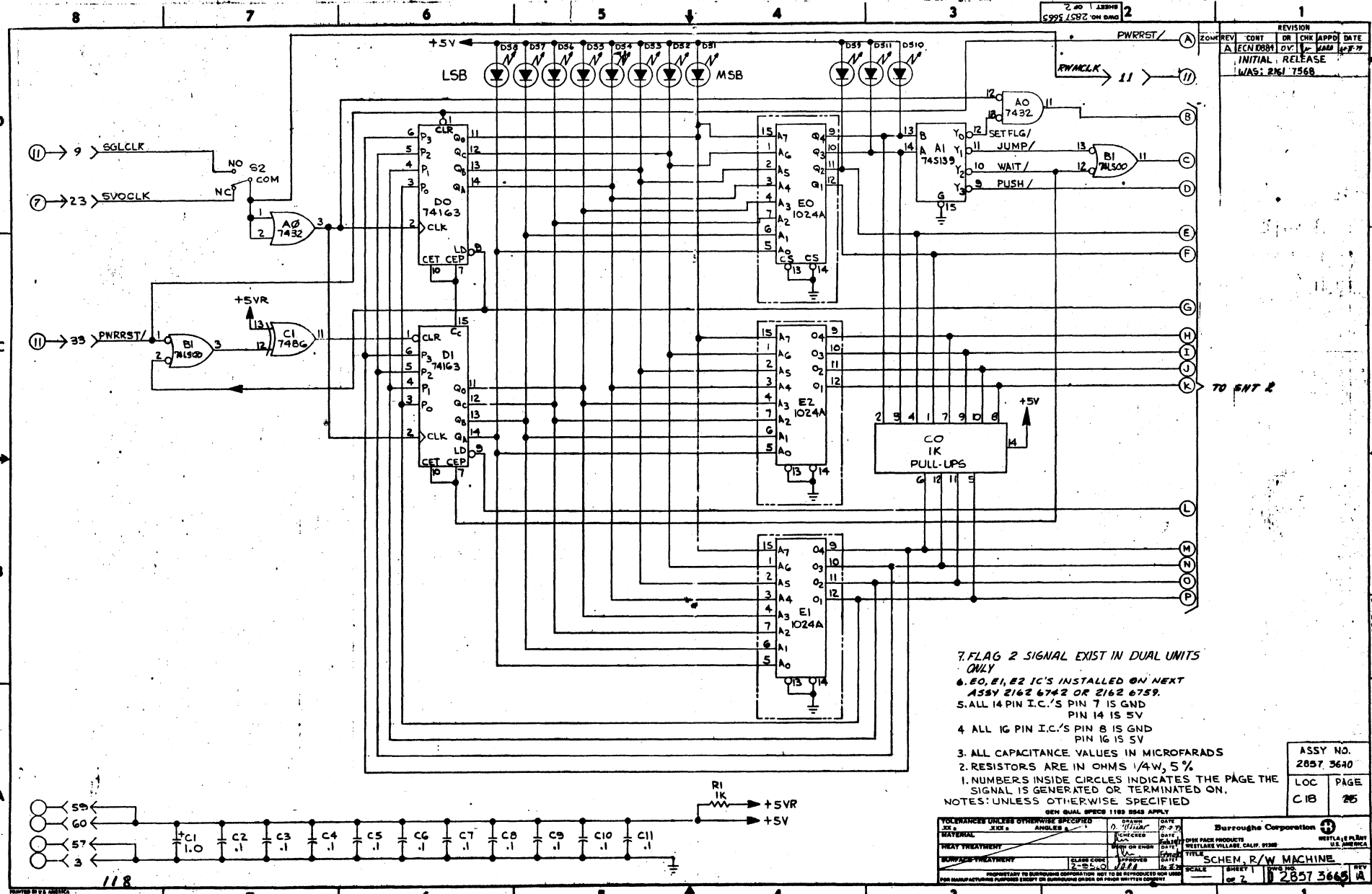


ASSEMBLY	2857 1235
LCC PAGE	C17 24

DESIGN		DATE		Barrington Corporation	
DESIGNER	DATE	DESIGNER	DATE	DESIGNER	DATE
DRY	DATE	DRY	DATE	DRY	DATE
DRY	DATE	DRY	DATE	DRY	DATE
DRY	DATE	DRY	DATE	DRY	DATE
TITLE		SCALE		REV	
SCH - ECC TIMING		NONE		2	
PART NO.		REV		DATE	
02162 0620 E		2		12/17/77	

02162 0620 E SHEET 2 OF 2

D 2857 3663 A / 0012  
 SCHEM. - R/W MALVIN



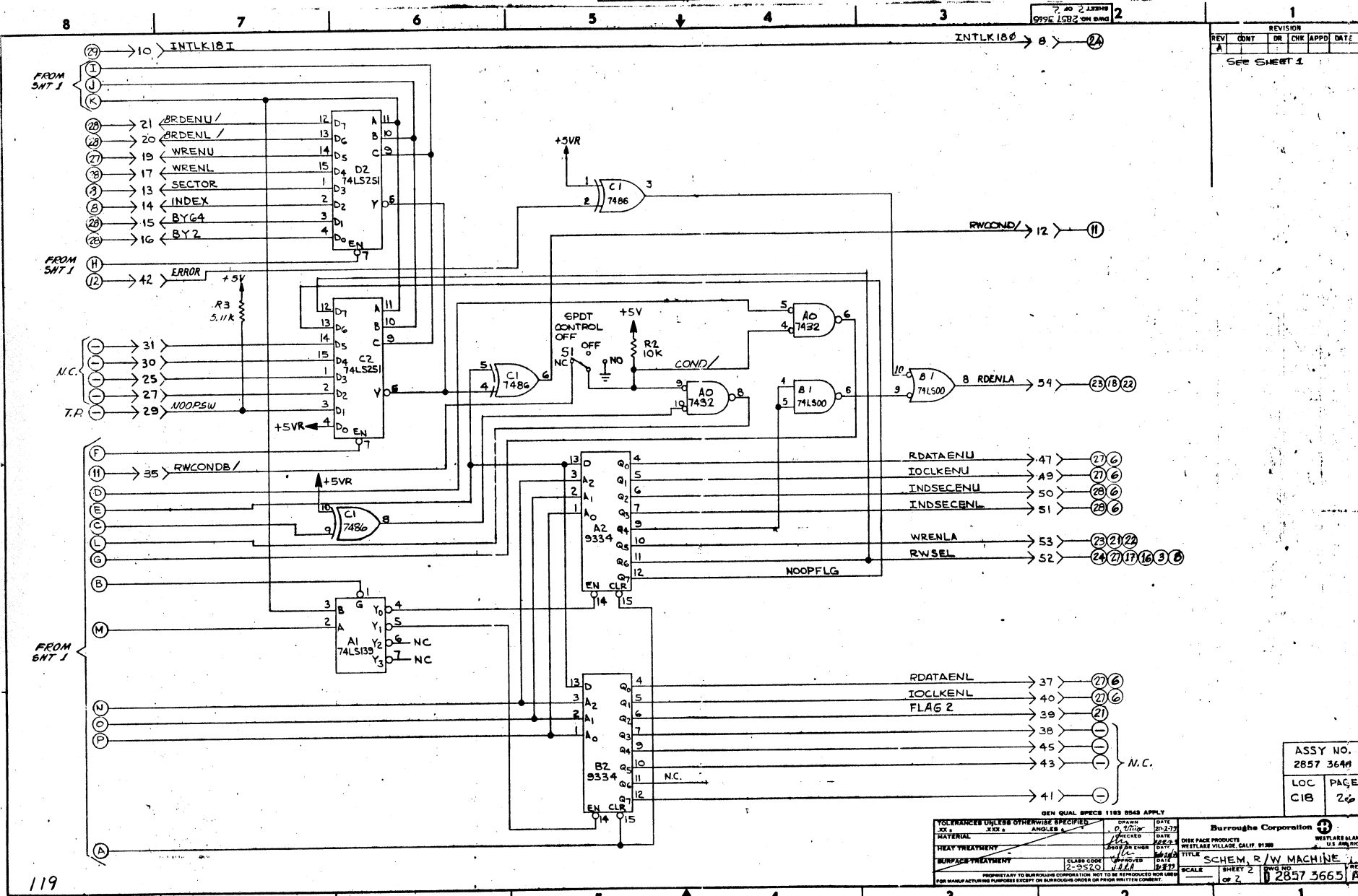
7-FLAG 2 SIGNAL EXIST IN DUAL UNITS ONLY

- 6. EO, E1, E2 IC'S INSTALLED ON NEXT ASSY 2162 6742 OR 2162 6759.
  - 5. ALL 14 PIN I.C.'S PIN 7 IS GND PIN 14 IS 5V
  - 4. ALL 16 PIN I.C.'S PIN 8 IS GND PIN 16 IS 5V
  - 3. ALL CAPACITANCE VALUES IN MICROFARADS
  - 2. RESISTORS ARE IN OHMS 1/4W, 5%
  - 1. NUMBERS INSIDE CIRCLES INDICATES THE PAGE THE SIGNAL IS GENERATED OR TERMINATED ON.
- NOTES: UNLESS OTHERWISE SPECIFIED

ASSY NO. 2857 3640	
LOC C 18	PAGE 25

VOLUNTARIES UNLESS OTHERWISE SPECIFIED		DATE	
MATERIAL	DESIGNED BY	DATE	BY
THICK TREATMENT	CHECKED BY	DATE	BY
BURNISH TREATMENT	APPROVED BY	DATE	BY
GEN. QUAL. SPECS 1189 8548 APPLY		SCALE	
SHEET 1		REV	
D 2857 3663 A		REV	

D 2857 3665 A 2 of 2  
SCHEM - R/W MACHINE



REVISION				
REV	CONT	OR	CHK	APPRO DATE
A				

See SHEET 1

ASSY NO. 2857 3644	
LOC C18	PAGE 26

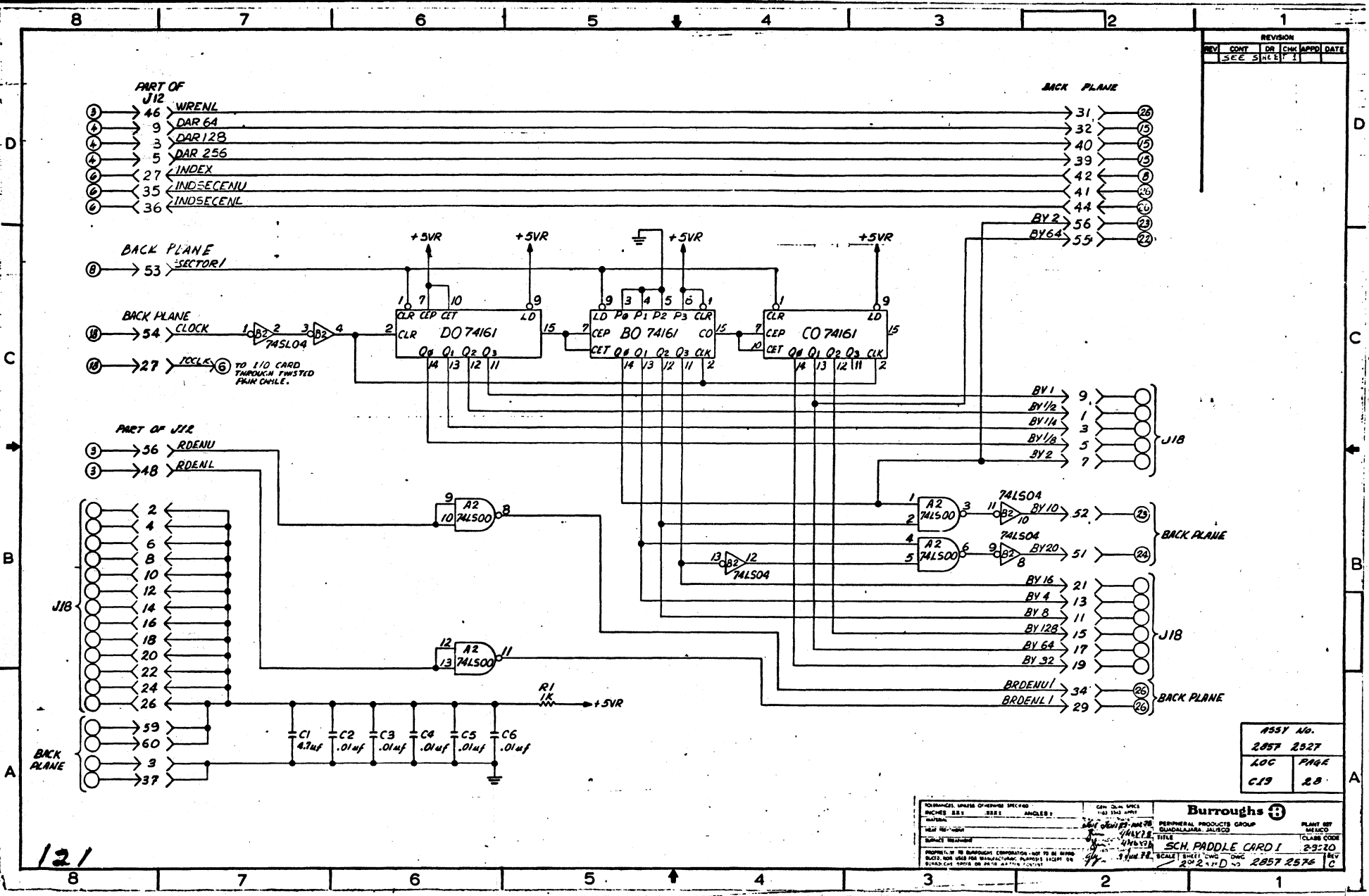
TOLERANCES UNLESS OTHERWISE SPECIFIED		DATE	20-2-72
FINISH	ANGLES	DESIGNED BY	G. Miller
MATERIAL		CHECKED BY	W. J. ...
HEAT TREATMENT		DATE	10/10/71
SURFACE TREATMENT		CLASS CODE	12-5520
		DATE	10/10/71
PROPERTY OF BURROUGHS CORPORATION NOT TO BE REPRODUCED FOR USE IN ANY MANNER WITHOUT THE WRITTEN CONSENT OF BURROUGHS CORPORATION		SCALE	SHEET 2 OF 2
Burroughs Corporation		WESTLAKELAND, CALIF. 91380	
SCHEM R/W MACHINE			
Dwg No. 2857 3644		REV	

119

Dwg No. 2857 3644  
SHEET 2 OF 2



REVISION			
REV	CONT	DR	CHK APPD DATE
SEE SHEET 1			



ASSY NO.	
2857 2827	
LOC	PAGE
C19	28

TO DIMENSIONS UNLESS OTHERWISE SPECIFIED	SEE SHEET 2828	SEE SHEET 2829	SEE SHEET 2830	SEE SHEET 2831	SEE SHEET 2832	SEE SHEET 2833	SEE SHEET 2834	SEE SHEET 2835	SEE SHEET 2836	SEE SHEET 2837	SEE SHEET 2838	SEE SHEET 2839	SEE SHEET 2840	SEE SHEET 2841	SEE SHEET 2842	SEE SHEET 2843	SEE SHEET 2844	SEE SHEET 2845	SEE SHEET 2846	SEE SHEET 2847	SEE SHEET 2848	SEE SHEET 2849	SEE SHEET 2850	SEE SHEET 2851	SEE SHEET 2852	SEE SHEET 2853	SEE SHEET 2854	SEE SHEET 2855	SEE SHEET 2856	SEE SHEET 2857	SEE SHEET 2858	SEE SHEET 2859	SEE SHEET 2860	SEE SHEET 2861	SEE SHEET 2862	SEE SHEET 2863	SEE SHEET 2864	SEE SHEET 2865	SEE SHEET 2866	SEE SHEET 2867	SEE SHEET 2868	SEE SHEET 2869	SEE SHEET 2870	SEE SHEET 2871	SEE SHEET 2872	SEE SHEET 2873	SEE SHEET 2874	SEE SHEET 2875	SEE SHEET 2876	SEE SHEET 2877	SEE SHEET 2878	SEE SHEET 2879	SEE SHEET 2880	SEE SHEET 2881	SEE SHEET 2882	SEE SHEET 2883	SEE SHEET 2884	SEE SHEET 2885	SEE SHEET 2886	SEE SHEET 2887	SEE SHEET 2888	SEE SHEET 2889	SEE SHEET 2890	SEE SHEET 2891	SEE SHEET 2892	SEE SHEET 2893	SEE SHEET 2894	SEE SHEET 2895	SEE SHEET 2896	SEE SHEET 2897	SEE SHEET 2898	SEE SHEET 2899	SEE SHEET 2900
--	----------------	----------------	----------------	----------------	----------------	----------------	----------------	----------------	----------------	----------------	----------------	----------------	----------------	----------------	----------------	----------------	----------------	----------------	----------------	----------------	----------------	----------------	----------------	----------------	----------------	----------------	----------------	----------------	----------------	----------------	----------------	----------------	----------------	----------------	----------------	----------------	----------------	----------------	----------------	----------------	----------------	----------------	----------------	----------------	----------------	----------------	----------------	----------------	----------------	----------------	----------------	----------------	----------------	----------------	----------------	----------------	----------------	----------------	----------------	----------------	----------------	----------------	----------------	----------------	----------------	----------------	----------------	----------------	----------------	----------------	----------------	----------------	----------------

**Burrheads**

PERIPHERAL PRODUCTS GROUP  
DUNDALK, ILLINOIS

TITLE: SCH. PADDLE CARD I

SCALE: SHEET 2857

DATE: 2/2/72

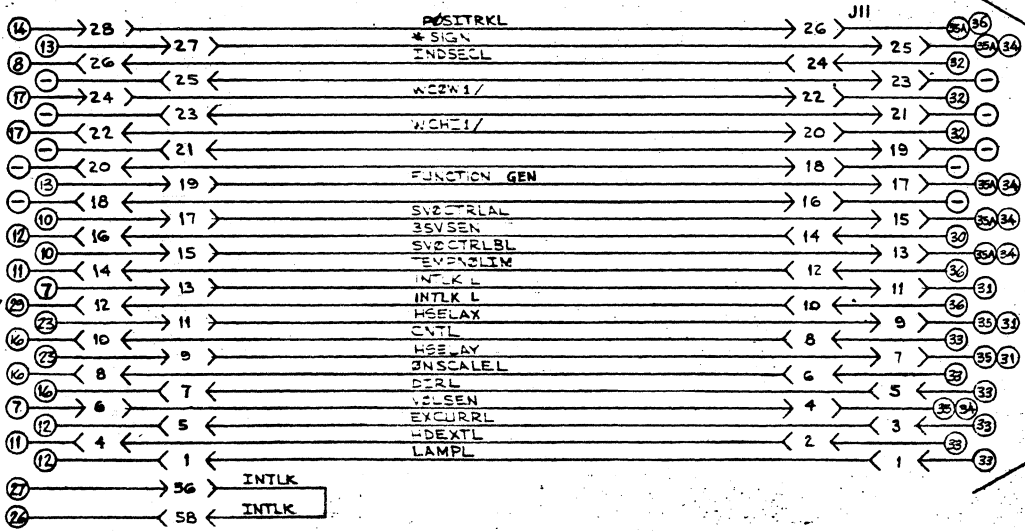
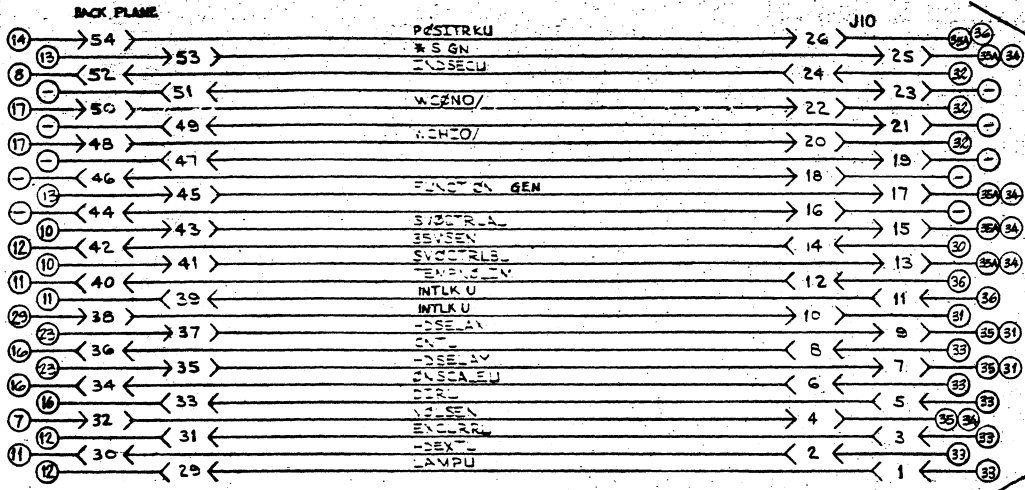
2857 2827

121

D 2161 7493D 1 of 1  
PADDLE CARD II

1 2 3 4 5 6 7 8

ZONE	REV	CONT	DE	CHK	APPRO	DATE
A	PRELIM	G.E.				
B	REG2000	E	10/18/74			
C	163098	RT	12/1/77			
IA	ASSY NOS WERE 2162 2931 AND 2162 2945					
	D 163098 (MATERIAL) OF 16 AIR-B					
	C 163098 (MATERIAL)					



FROM PIN 12

TO PIN 36

1. NUMBERS INSIDE CIRCLES INDICATES THE PAGE THE SIGNAL IS GENERATED OR TERMINATED ON  
NOTES: UNLESS OTHERWISE SPECIFIED.

ASSY NO.  
2143 0520  
2143 0538

LOC PAGE  
C20 29

122

POLYMER UNLESS OTHERWISE SPECIFIED		DRAWN		DATE	
MATERIAL	SIZE & ANGLES	GENE BAKER	DATE	Buffington Corporation	
REPLY TREATMENT	ORDER OR PART	DATE	DATE	WESTLAKE VILLAGE, CALIF. 91380 U.S. AMERICA	
SURFACE TREATMENT	SCALE	APPROVED	SHEET	TITLE	
PROPERTY TO BUREAU OF CORROSION NOT TO BE REPRODUCED FOR ANY PURPOSES EXCEPT BY BUREAU ORDER OR PRIOR WRITTEN CONSENT		SCALE	SHEET	SCHEM. PADDLE CARD II	
		SCALE	SHEET	DWG NO. 2161 7493	

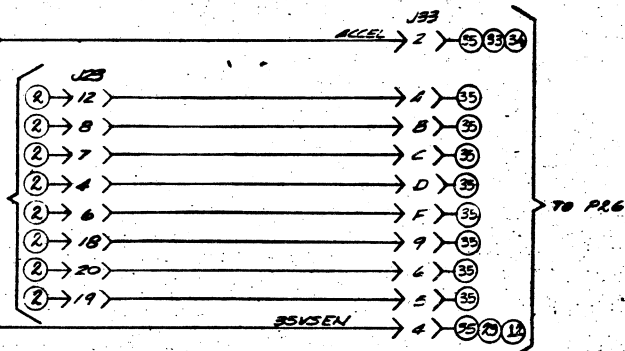
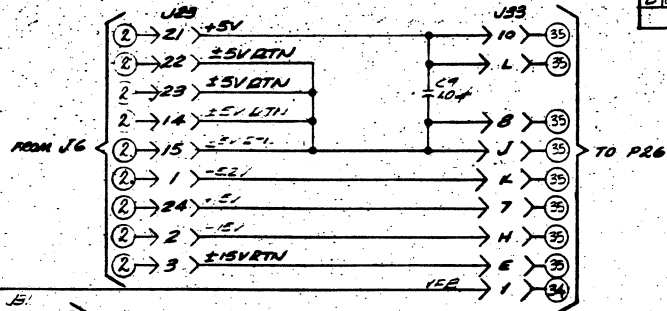
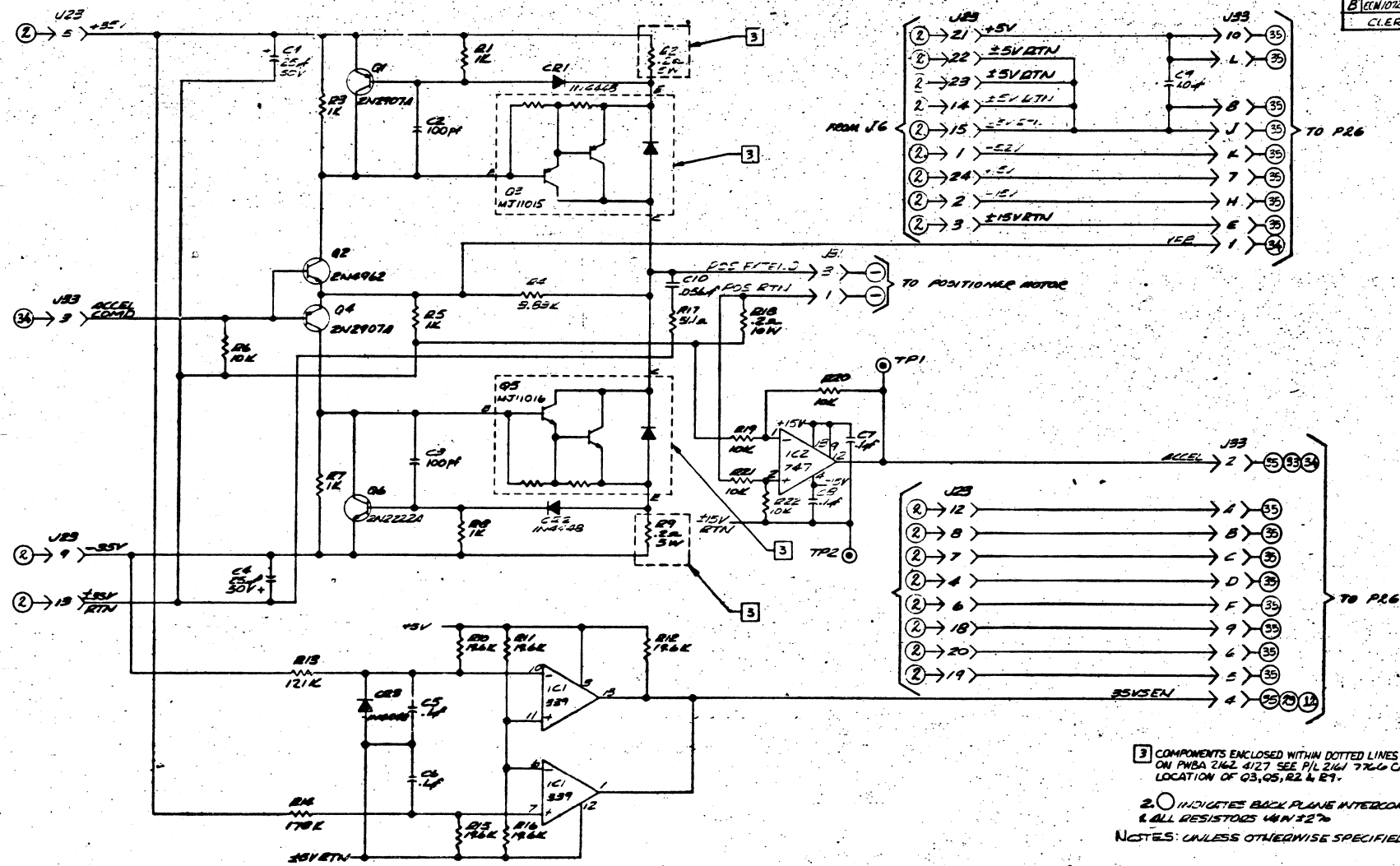
sheet no. 2161 7493



D 2162 4150 B 1041  
 SW - PWR. AMP. MOD

REVISION				
REV	CONT	OR	CHK	DATE
A	ER 2162	WLT	PA	5/1/73
B	CM 1023	WLT	PA	5/1/73

CLERICAL ERRORS



3 COMPONENTS ENCLOSED WITHIN DOTTED LINES DO NOT APPEAR ON PWBA 2162 4127 SEE P/L 2161 7764 CARD CAGE ASSY FOR LOCATION OF Q3, Q5, R2 & R7.

2 O INDICATES BACK PLANE INTERCONNECTION & ALL RESISTORS 1/4W 1%.

NOTES: UNLESS OTHERWISE SPECIFIED, ASSY NO. 2162 4127 LOC. PAGE 30

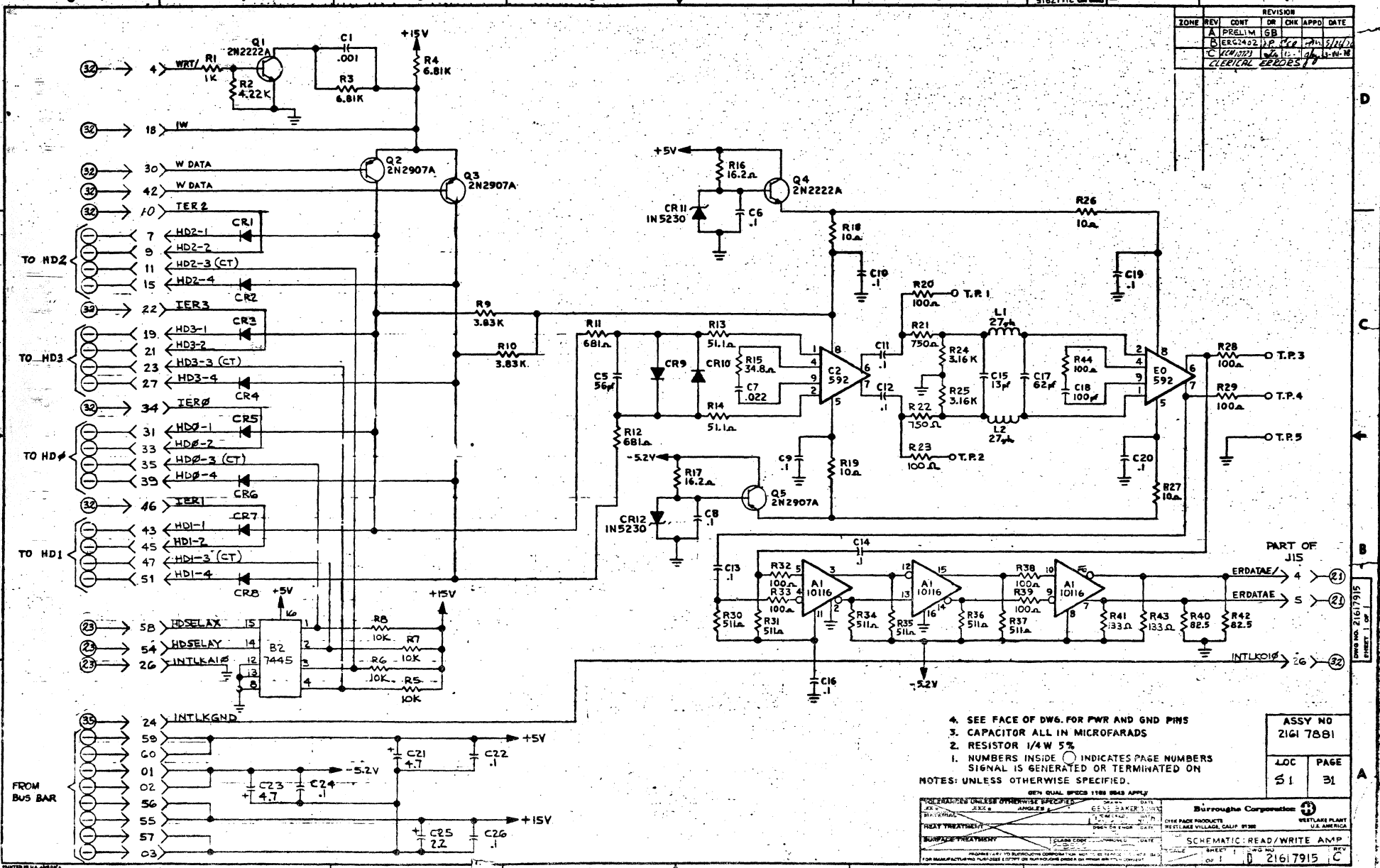
123

Burrage Corporation		WETLASE VILLAGE, CALIF. 91380	
TITLE: SW - PWR. AMP. MOD		SCALE: 1/8" = 1"	
SHEET: 1		PAGE: 30	

Part 7915 C 1041  
 Sec. - Read/Write Amp

516/1912

REVISION						
ZONE	REV	CONT	DR	CHE	APPD	DATE
A	PRELIM	GB				
B	REC'D	12	CCP			5/20/70
C	REVISED	12	CCP			5/20/70
CLERICAL ERRORS						



4. SEE FACE OF DWG. FOR PWR AND GND PINS
  3. CAPACITOR ALL IN MICROFARADS
  2. RESISTOR 1/4W 5%
  1. NUMBERS INSIDE ○ INDICATES PAGE NUMBERS
- NOTES: UNLESS OTHERWISE SPECIFIED, SIGNAL IS GENERATED OR TERMINATED ON

ASSY NO  
2161 7881

LOC PAGE  
S1 31

DATE: 5/20/70

DESIGNED BY: JAMES BAKER

CHECKED BY: JAMES BAKER

APPROVED BY: JAMES BAKER

DATE: 5/20/70

SCALE: 1:1

SHEET: 1 OF 1

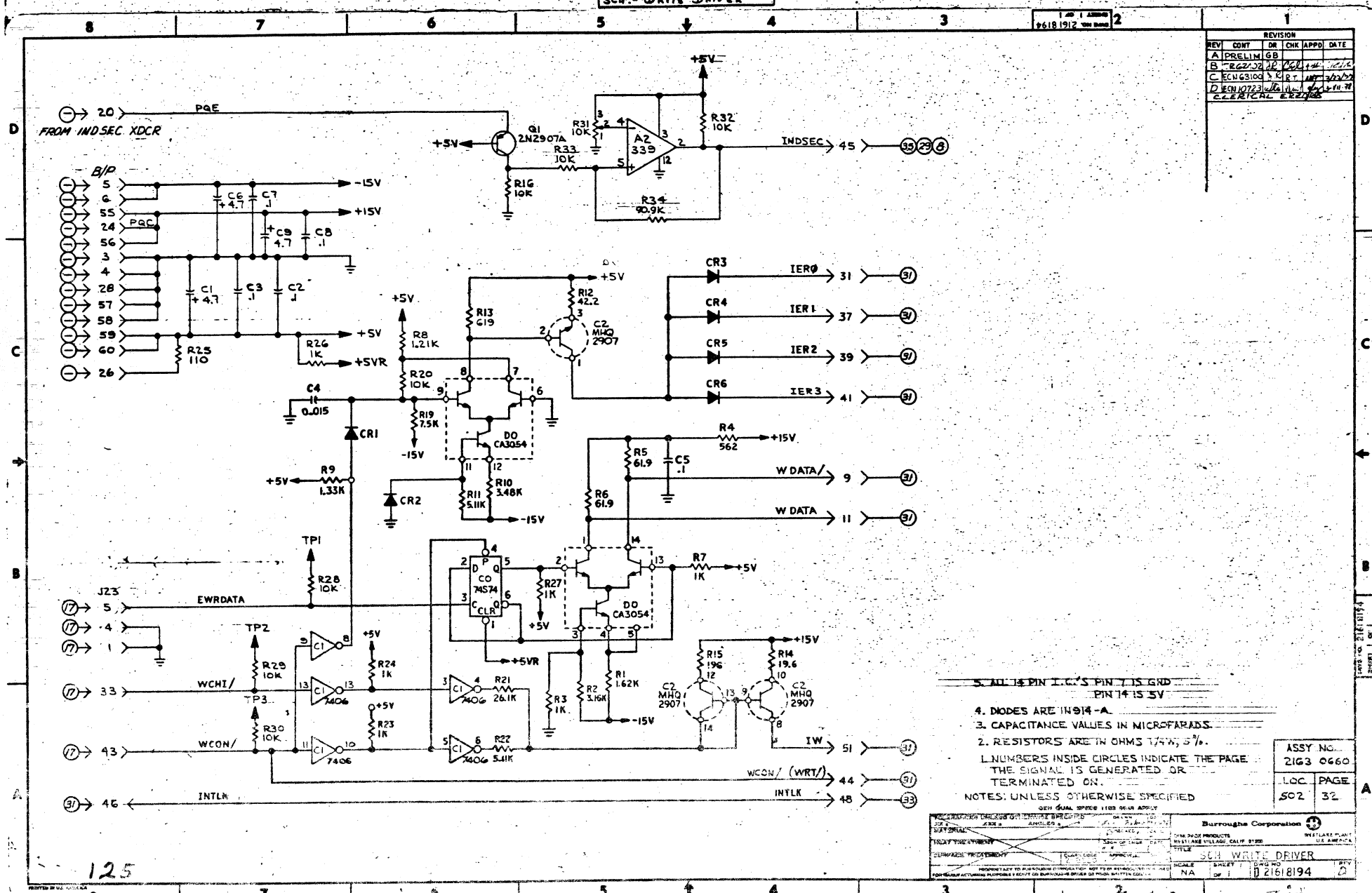
2161 7915 C

Burrage Corporation  
 CHEM-PACK PRODUCTS  
 WESTLARK VILLAGE, CALIF. 91380  
 WESTLARK PLANT  
 U.S.A. AMERICA

2161-8194 D (1 of 1)  
SCH - WRITE DRIVER

REV 1 1968  
6181912

REVISION				
REV	CONT	OR	CHK	APPRO DATE
A	PRELIM	GB		
B	REG 32	JK		10/16/68
C	REG 3103	JK		11/13/68
D	REG 1073	JK		11/14/68



ALL 14 PIN IC'S PIN 1 IS GND  
PIN 14 IS 5V

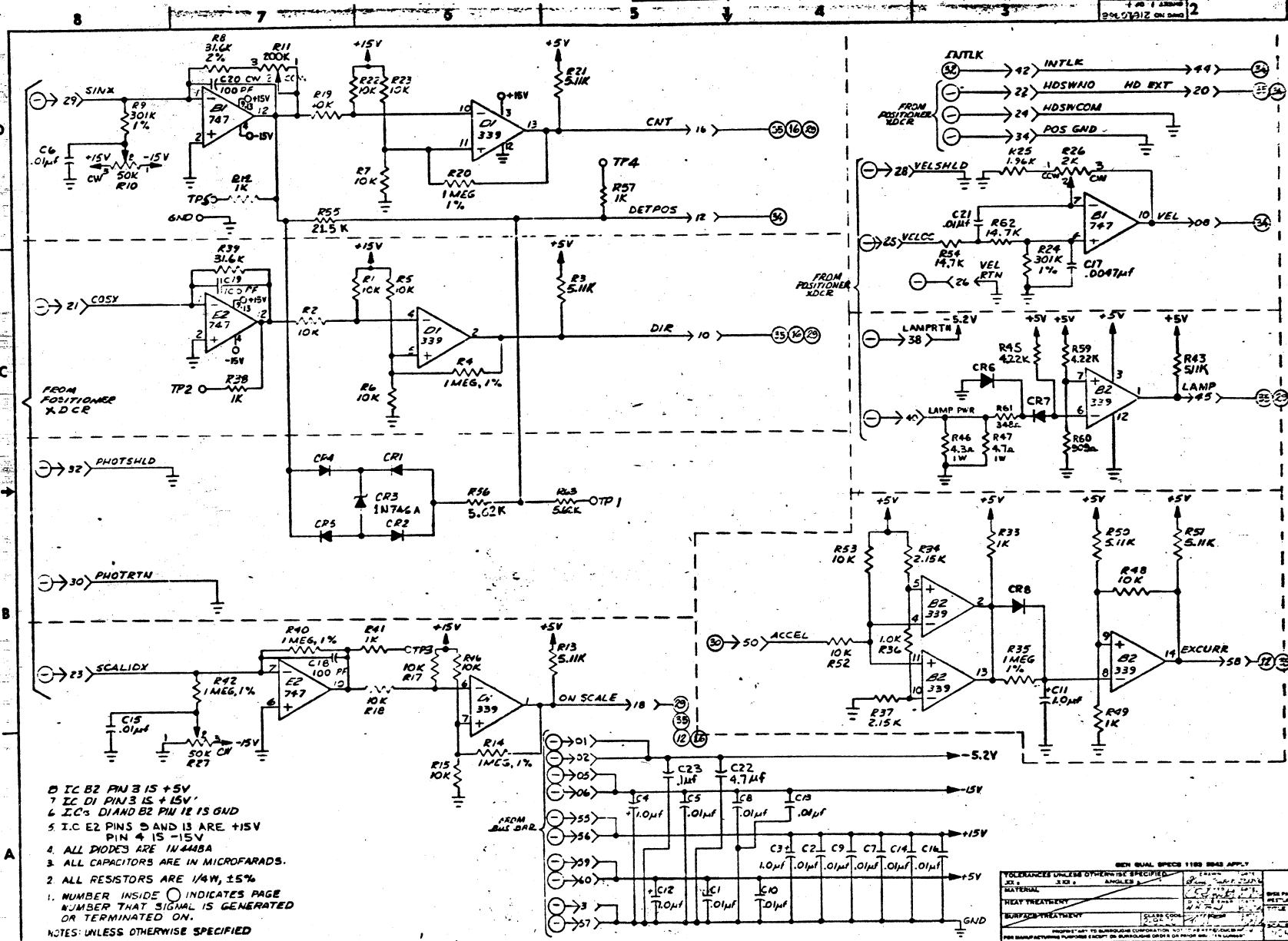
4. DIODES ARE 1N914-A.
  3. CAPACITANCE VALUES IN MICROFARADS.
  2. RESISTORS ARE IN OHMS 1/4W, 5%.
  1. NUMBERS INSIDE CIRCLES INDICATE THE PAGE THE SIGNAL IS GENERATED OR TERMINATED ON.
- NOTES: UNLESS OTHERWISE SPECIFIED

ASSY NO.	2163 0660
LOC. PAGE	SO2 32

Burrage Corporation	
DATE: 11/14/68	SCALE: NA
TITLE: SCH WRITE DRIVER	DWG NO: 21618194
DESIGNED BY: [Signature]	CHECKED BY: [Signature]
APPROVED BY: [Signature]	DATE: 11/14/68

125

D 2162 0968 F 1 of 1  
 SENSE - XDCR AMP



REV.	CONT.	DATE
A	DESIGN	10/1/70
B	REVISED	10/1/70
C	REVISED	10/1/70
D	REVISED	10/1/70

ZONE 1A ASSIGNED TO 21620968  
 ZONE 1B ASSIGNED TO 21620968  
 ZONE 1C ASSIGNED TO 21620968  
 ZONE 1D ASSIGNED TO 21620968  
 ZONE 1E ASSIGNED TO 21620968  
 ZONE 1F ASSIGNED TO 21620968  
 ZONE 1G ASSIGNED TO 21620968  
 ZONE 1H ASSIGNED TO 21620968  
 ZONE 1I ASSIGNED TO 21620968  
 ZONE 1J ASSIGNED TO 21620968  
 ZONE 1K ASSIGNED TO 21620968  
 ZONE 1L ASSIGNED TO 21620968  
 ZONE 1M ASSIGNED TO 21620968  
 ZONE 1N ASSIGNED TO 21620968  
 ZONE 1O ASSIGNED TO 21620968  
 ZONE 1P ASSIGNED TO 21620968  
 ZONE 1Q ASSIGNED TO 21620968  
 ZONE 1R ASSIGNED TO 21620968  
 ZONE 1S ASSIGNED TO 21620968  
 ZONE 1T ASSIGNED TO 21620968  
 ZONE 1U ASSIGNED TO 21620968  
 ZONE 1V ASSIGNED TO 21620968  
 ZONE 1W ASSIGNED TO 21620968  
 ZONE 1X ASSIGNED TO 21620968  
 ZONE 1Y ASSIGNED TO 21620968  
 ZONE 1Z ASSIGNED TO 21620968

1. NUMBER INSIDE ○ INDICATES PAGE NUMBER THAT SIGNAL IS GENERATED OR TERMINATED ON.  
 2. ALL RESISTORS ARE 1/4W, 1%  
 3. ALL CAPACITORS ARE IN MICROFARADS.  
 4. ALL DIODES ARE 1N4488A  
 5. I.C. E2 PINS 5 AND 13 ARE +15V PIN 4 IS -15V  
 6. I.C. D1 AND B2 PIN 12 IS GND  
 7. I.C. D1 PIN 3 IS +15V  
 8. I.C. B2 PIN 3 IS +5V
- NOTES: UNLESS OTHERWISE SPECIFIED

ASSY NO.	2163 0247
LOC.	503
PAGE	33

126

BURRUSH CORPORATION  
 1200 WEST 10TH AVENUE  
 DENVER, COLORADO 80202  
 TEL: 303-733-1000  
 FAX: 303-733-1001

SCHEMATIC XDCR AMP  
 SHEET 1 OF 1  
 21620968

D 2857 1354 C 1 of 1  
 SCH. SERVO AMP.

1 of 1 SHEET  
 2857 1354

REV.	DATE	BY	CHK	APPD	DATE
A	22-11-57	JWS	JWS		22-11-57
B	21-1-58	JWS	JWS		21-1-58
C	25-1-58	JWS	JWS		25-1-58
D	15-10-58	JWS	JWS		15-10-58

REVISION

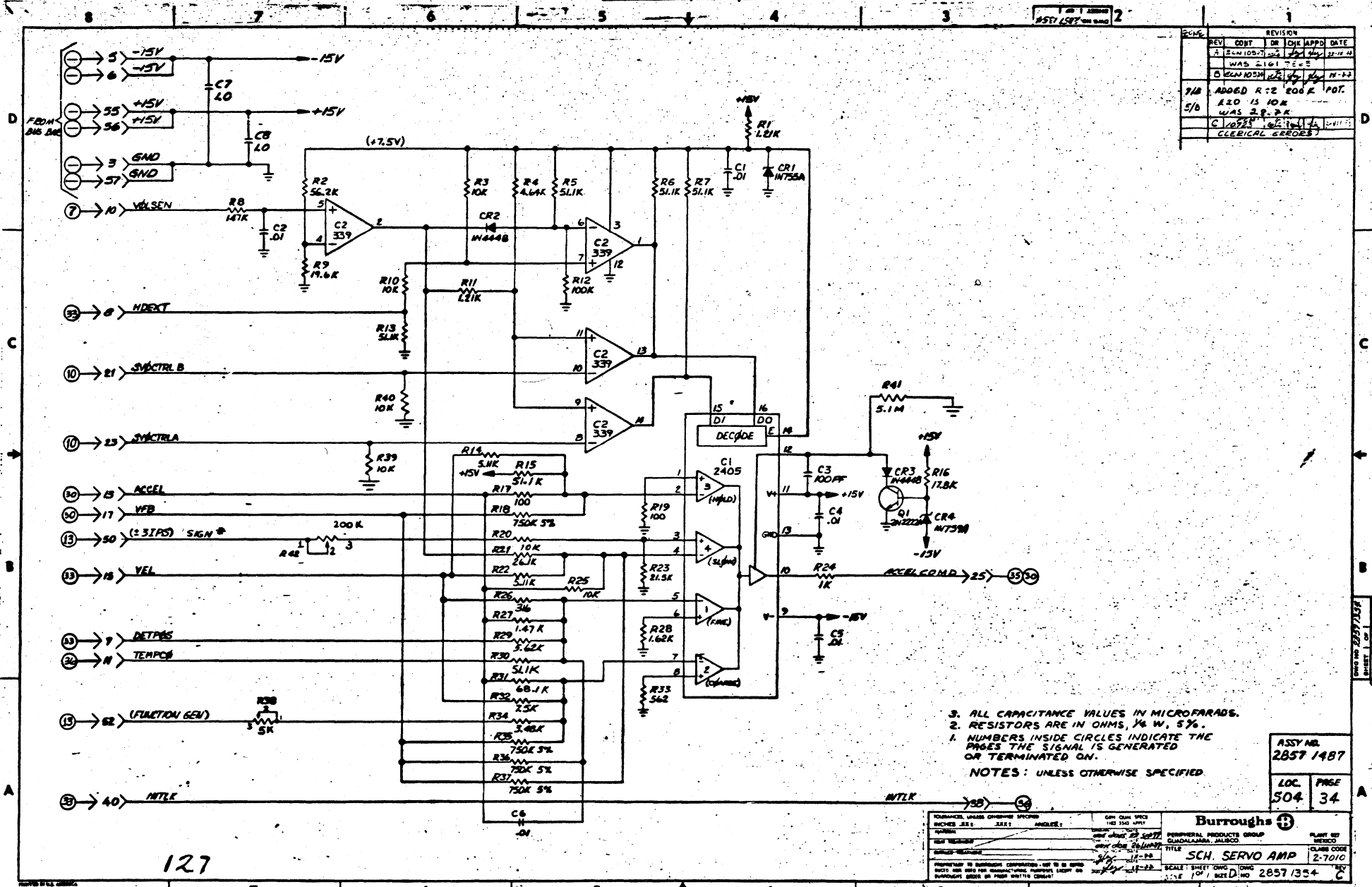
ADDED R12 200K POT.

R10 IS 10K

WAS 2.2K

C1021

CLERICAL ERRORS



3. ALL CAPACITANCE VALUES IN MICROFARADS.
  2. RESISTORS ARE IN OHMS, 1/4 W, 5%.
  1. NUMBERS INSIDE CIRCLES INDICATE THE PAGES THE SIGNAL IS GENERATED OR TERMINATED ON.
- NOTES: UNLESS OTHERWISE SPECIFIED

ASSY NO.	2857 1487
LOC.	504
PAGE	34

**Burroughs**

PERIPHERAL PRODUCTS GROUP  
 GUADALAJARA, MEXICO

TITLE: **SCH. SERVO AMP**

SCALE: SHEET 504 OF 504

DATE: 15-10-58

DESIGNER: JWS

CHECKED: JWS

APPROVED: JWS

PLANT OF MEXICO

INVOICE CODE

2-7010

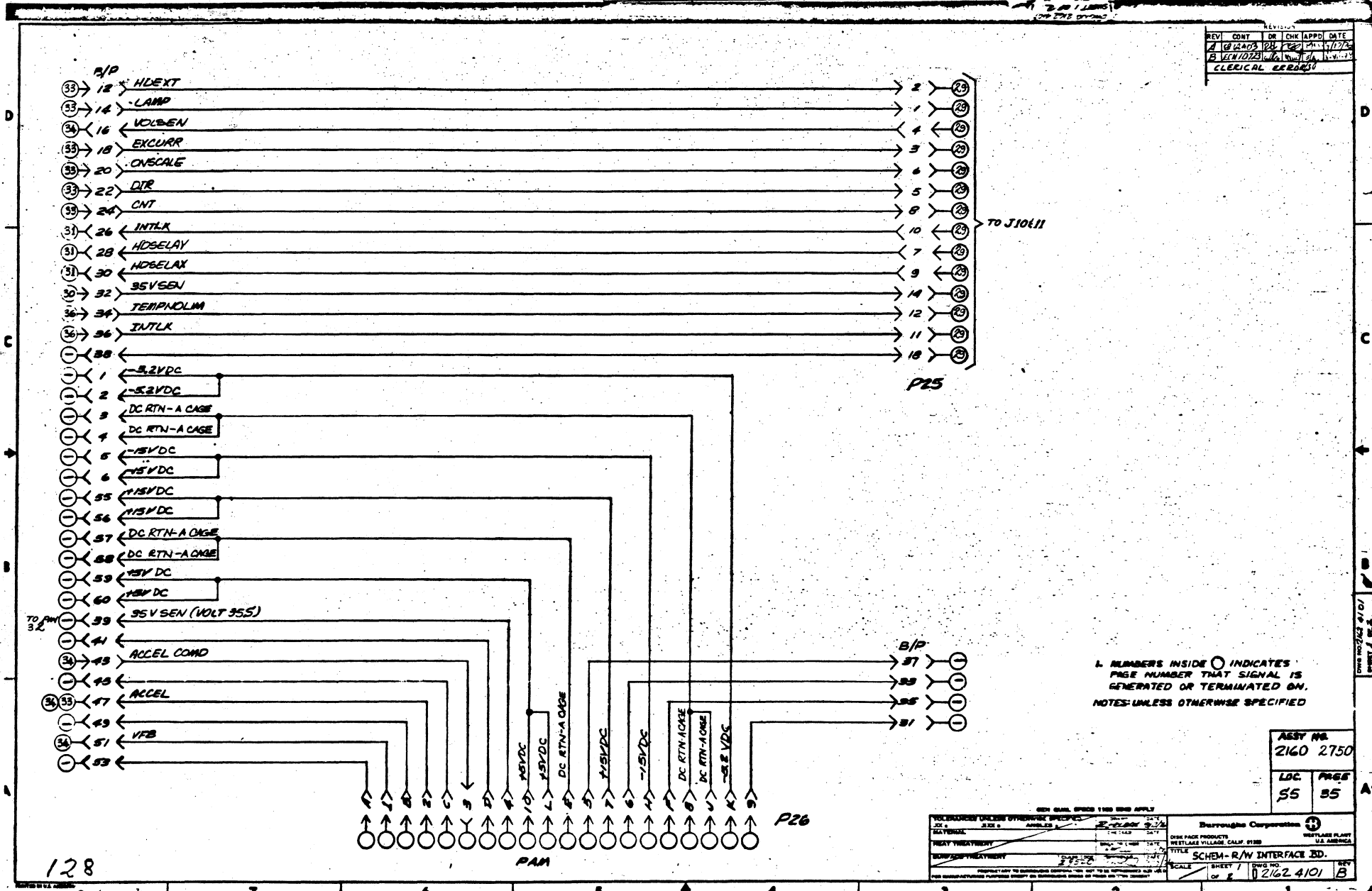
2857 1354

127

D 2162 4101 B 1 of 2  
 SCHEM - R/W INTERFACE 20

REV	CONT	DR	CHK	APPD	DATE
A	18/21/63	DR	FE	DR	7/27/63
B	18/10/63	DR	FE	DR	10/1/63

REVISION  
 CLEVERLY ERRORS



1. NUMBERS INSIDE ○ INDICATES PAGE NUMBER THAT SIGNAL IS GENERATED OR TERMINATED ON.  
 NOTES: UNLESS OTHERWISE SPECIFIED

ASSY NO. 2160 2750	
LDC 55	PAGE 55

SEE DRAWING FOR DIMENSIONS UNLESS OTHERWISE SPECIFIED

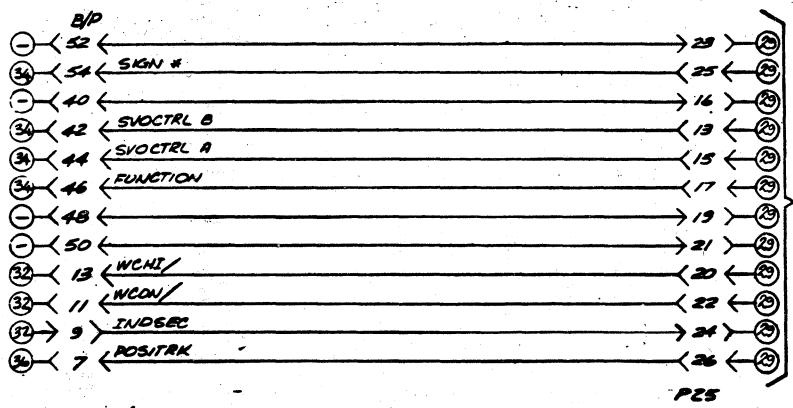
DATE: 7-27-63  
 DRAWN BY: [Signature]  
 CHECKED BY: [Signature]  
 TITLE: SCHEM - R/W INTERFACE 20  
 SCALE: SHEET 7 OF 8  
 DRAWING NO: 2162 4101 B

Draper Corporation  
 WESTLASE PLANT  
 WESTLASE VILLAGE, CALIF. 91380  
 U.S. AMERICA

2162-4101B 2 of 2  
 SCHEM - R/W INTERFACE BD.

REVISION				
REV	CONT	DR	CHK	APPD DATE
2				

SEE SHEET 1



129

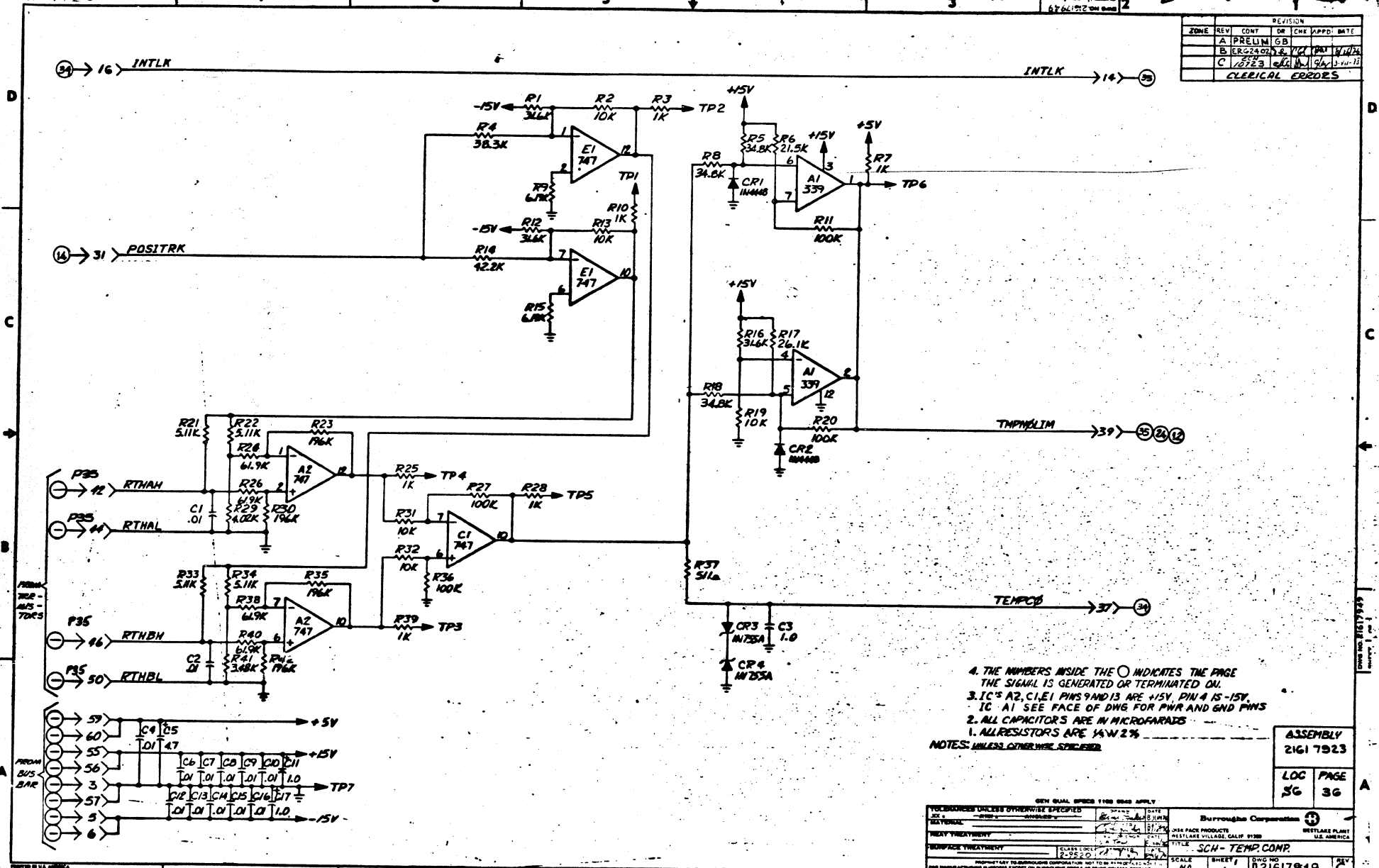
GEN. DIM. SPECS. 1100 1500 APPLY

MATERIALS		DATE	Burrington Corporation	
DESIGNER	DATE	DATE	WETLAGE PLANT U.S.A. AMERICA	
DESIGN	DATE	DATE	TITLE SCHEM - R/W INTERFACE BD.	
SCALE	SHEET 2	DWG NO.	2162 4101 B	

D 2161 7949 C 1 of 1  
SEN - Temp. Comp.

1 of 1 SHEETS  
6764/1512 ON BOARD

REVISION					
ZONE	REV	CONT	OR	CHK	APPR. DATE
A	PRELIM	GB			
B	ERC2402	W	PAI	W	11/74
C	12523	W	W	W	3-11-75
CLERICAL ERRORS					



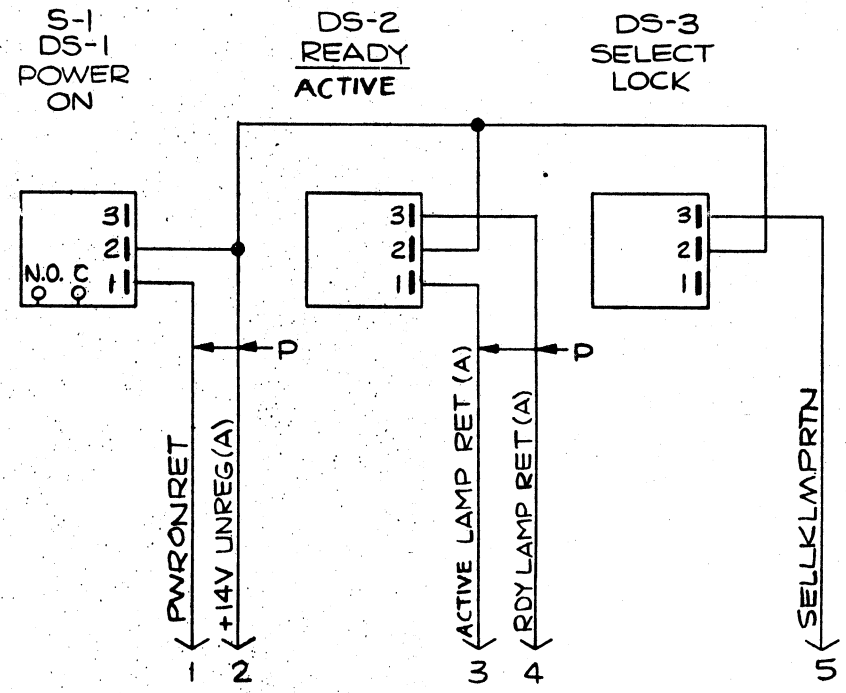
1. ALL RESISTORS ARE 1/4W 2%
  2. ALL CAPACITORS ARE IN MICROFARADS
  3. IC'S A2, C1, E1 PINS 9 AND 13 ARE +5V. PIN 4 IS -15V. IC A1 SEE FACE OF DWG FOR PWR AND GND PINS
  4. THE NUMBERS INSIDE THE ○ INDICATES THE PAGE THE SIGNAL IS GENERATED OR TERMINATED ON.
- NOTES: UNLESS OTHERWISE SPECIFIED

ASSEMBLY  
2161 7923  
LOC 56 PAGE 36

TOLERANCES UNLESS OTHERWISE SPECIFIED				DATE			
RESISTORS	±1%	±1%	±1%	REVISED	REVISED	REVISED	REVISED
CAPACITORS	±5%	±5%	±5%	DESIGNED BY	DESIGNED BY	DESIGNED BY	DESIGNED BY
MECHANICAL				CHECKED BY	CHECKED BY	CHECKED BY	CHECKED BY
WELDING				APPROVED BY	APPROVED BY	APPROVED BY	APPROVED BY
FINISH				DATE	DATE	DATE	DATE
PROPERTY TO BULLDOGE CORPORATION NOT TO BE REPRODUCED OR TRANSMITTED IN ANY FORM OR BY ANY MEANS WITHOUT THE WRITTEN PERMISSION OF BULLDOGE CORPORATION	BullDodge Corporation			BULLDOGE PLANT U.S. AMERICA			
TITLE: SCH - TEMP. COMP.			SCALE: NA SHEET: 1 OF 1 21617949 C				



DWG NO. 2161 8434  
SHEET OF 1



P17  
TO J16 PAGE ③

1. SEE P/L 2161 8426 FOR WIRE LIST.  
NOTES: UNLESS OTHERWISE SPECIFIED

REVISION					
REV	CONT	DR	CHK	APPD	DA
A	ER62A00	DM	CSL	PAV	8/2/76
P17 PIN 1 WAS PIN 2 SWICOM (A) P17 PIN 2 WAS PIN 1 P17 PIN 3 WAS PIN 4 P17 PIN 4 WAS PIN 3 P17 PIN 5 WAS PIN 7 RUNCAMPRETA HJ NOTE 1 2161 8426 WAS 2161 7667					
B	EN62750	CSL	R.T.	PAV	11/4/76
C	ECN 10596	P.S.	JARRA	PAV	9/6/78 2:25:77
CHANGE FROM: <u>DS-2</u> <u>READY</u> <u>ACTIVE</u>					
TO: <u>DS-2</u> <u>READY</u> <u>ACTIVE</u>					
AND, FROM: <u>BUSY LAMP RET (A)</u> TO: <u>ACTIVE LAMP RET (A)</u>					
D	ECN 10723	CSL	PAV	PAV	3 JUL 78
ADDED TO J16 PAGE ③					

GEN QUAL SPECS 1183 5543 APPLY

TOLERANCES UNLESS OTHERWISE SPECIFIED .XX ± .XXX ± ANGLES ± °		DRAWN D. MILLER	DATE 5/27/76	<b>Burroughs Corporation</b> DISK PACK PRODUCTS WESTLAKE VILLAGE, CALIF. 91360 WESTLAKE PLANT U.S. AMERICA
MATERIAL		CHECKED 02/2/78	DATE 7/27/78	
HEAT TREATMENT		DSGN OR ENGR	DATE	TITLE SCHEMATIC, SWITCH PANEL
SURFACE TREATMENT		CLASS CODE 2-8020	APPROVED PAV	DATE 5/1/76
PROPRIETARY TO BURROUGHS CORPORATION. NOT TO BE REPRODUCED NOR USED FOR MANUFACTURING PURPOSES EXCEPT ON BURROUGHS ORDER OR PRIOR WRITTEN CONSENT.				
SCALE NONE	SHEET OF 1	DWG NO. 2161 8434	REV D	

131

PRINTED IN U.S. AMERICA

Burroughs Corporation		DATE E LYNCH 11/3/72	PROJ.	A-21628706	REV A
REGISTERED PATENT OFFICE OF THE PATENT AND TRADEMARK OFFICE, U.S. DEPARTMENT OF COMMERCE		CHKD 11/2/72	APPD	PAGE 1 OF 8	
PROPERTY OF BURROUGHS CORPORATION. NOT TO BE REPRODUCED NOR USED FOR MANUFACTURING PURPOSES EXCEPT ON BURROUGHS ORDER OR PRIOR WRITTEN CONSENT.			TITLE INTERFACE TIMING DIAGRAM		

REV	CONT'D. DOC. & NO.	DATE	CHKD	APPD & DATE	PAGE	LINE OR S	REVISION DESCRIPTION
4		08/21/73					

Burroughs Corporation		DATE E LYNCH	PROJ.	A 21628706	REV A
REGISTERED PATENT OFFICE OF THE PATENT AND TRADEMARK OFFICE, U.S. DEPARTMENT OF COMMERCE		CHKD	APPD	PAGE 2 OF 8	
PROPERTY OF BURROUGHS CORPORATION. NOT TO BE REPRODUCED NOR USED FOR MANUFACTURING PURPOSES EXCEPT ON BURROUGHS ORDER OR PRIOR WRITTEN CONSENT.			TITLE INTERFACE TIMING DIAGRAMS		

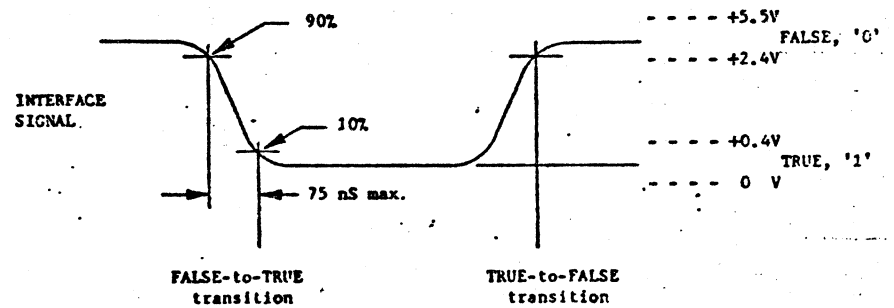
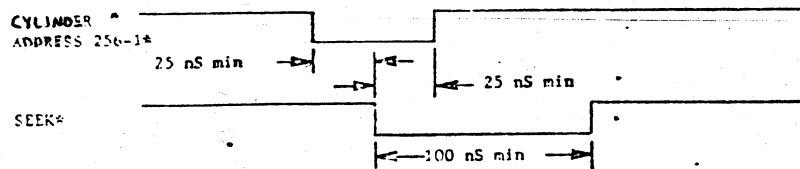


FIGURE 1  
SIGNAL CHARACTERISTICS

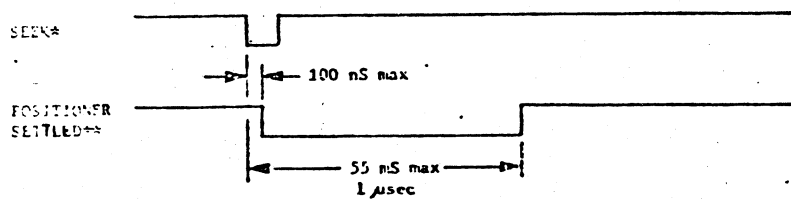
Burroughs Corporation WESTLAKE PLANT WESTLAKE VILLAGE CALIF 91360 U.S. AMERICA	TYPE	PROJ	A 2162 8706	A
	CHGD	APPD	PAGE 3	OF 8
PROPERTY OF BURROUGHS NOT TO BE REPRODUCED OR USED FOR MANUFACTURING PURPOSES EXCEPT ON BURROUGHS ORDER OR PRIOR WRITTEN CONSENT		TITLE INTERFACE TIMING DIAGRAMS		

Burroughs Corporation WESTLAKE PLANT WESTLAKE VILLAGE CALIF 91360 U.S. AMERICA	PREP	PROJ	A 2162 8706	A
	CHKD	APPD	PAGE 4	OF 8
PROPERTY OF BURROUGHS NOT TO BE REPRODUCED OR USED FOR MANUFACTURING PURPOSES EXCEPT ON BURROUGHS ORDER OR PRIOR WRITTEN CONSENT		TITLE INTERFACE TIMING DIAGRAMS		

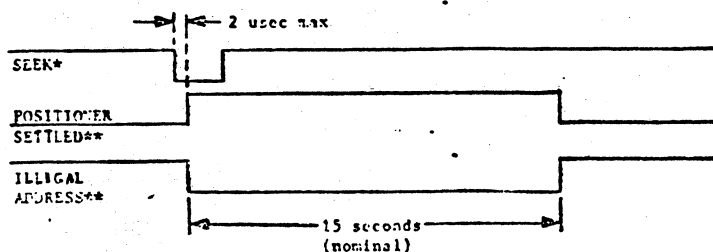
### SEEK Command Requirements



### SEEK operation to Valid Cylinder Address

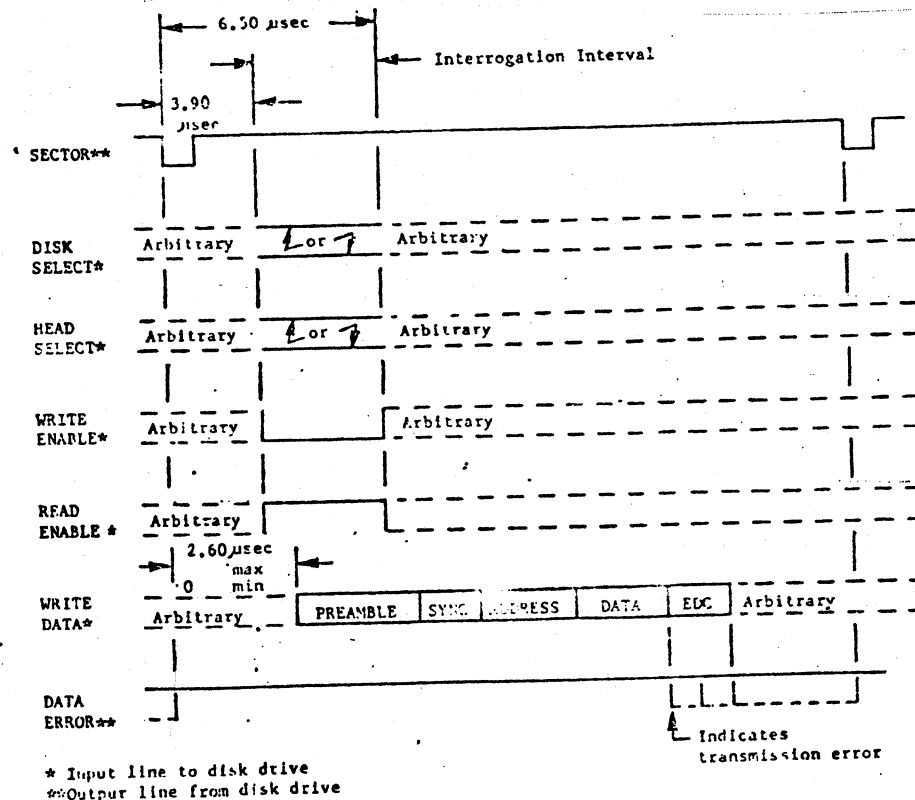


### SEEK Operation to Illegal Cylinder Address



\* Input line to disk drive  
\*\*Output line from disk drive

FIGURE 2  
SEEK OPERATIONS



\* Input line to disk drive  
\*\*Output line from disk drive

↑ Indicates transmission error

FIGURE 3  
WRITE OPERATION PRESENT SPINDLE SELECTED

Burroughs Corporation <small>WILMINGTON DELAWARE 19811 CALIFORNIA</small>	PREP	PROJ	A 2162 8706	A
	CHRG	APPD		
<small>THIS DOCUMENT IS UNCLASSIFIED EXCEPT WHERE SHOWN OTHERWISE</small>				TITLE
<small>PROPERTY OF BURROUGHS NOT TO BE REPRODUCED OR USED FOR MANUFACTURING PURPOSES EXCEPT ON BURROUGHS ORDER OR PRIOR WRITTEN CONSENT</small>				INTERFACE TIMING DIAGRAMS

Burroughs Corporation <small>WILMINGTON DELAWARE 19811 CALIFORNIA</small>	PREP	PROJ	A 2162 8706	A
	CHRG	APPD		
<small>PROPERTY OF BURROUGHS NOT TO BE REPRODUCED OR USED FOR MANUFACTURING PURPOSES EXCEPT ON BURROUGHS ORDER OR PRIOR WRITTEN CONSENT</small>				TITLE
<small>PROPERTY OF BURROUGHS NOT TO BE REPRODUCED OR USED FOR MANUFACTURING PURPOSES EXCEPT ON BURROUGHS ORDER OR PRIOR WRITTEN CONSENT</small>				INTERFACE TIMING DIAGRAMS

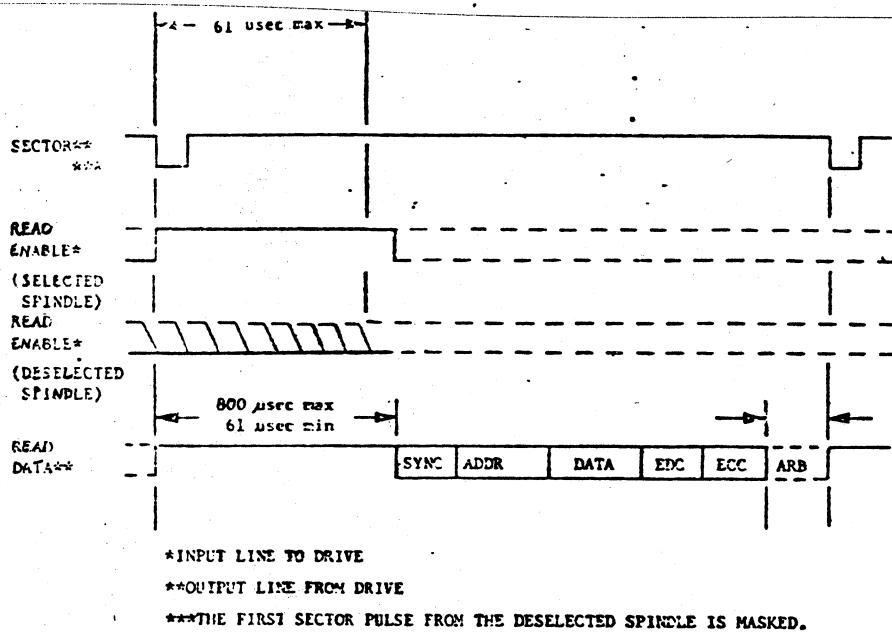


FIGURE 4  
READ OPERATION TO DESELECTED SPINDLE

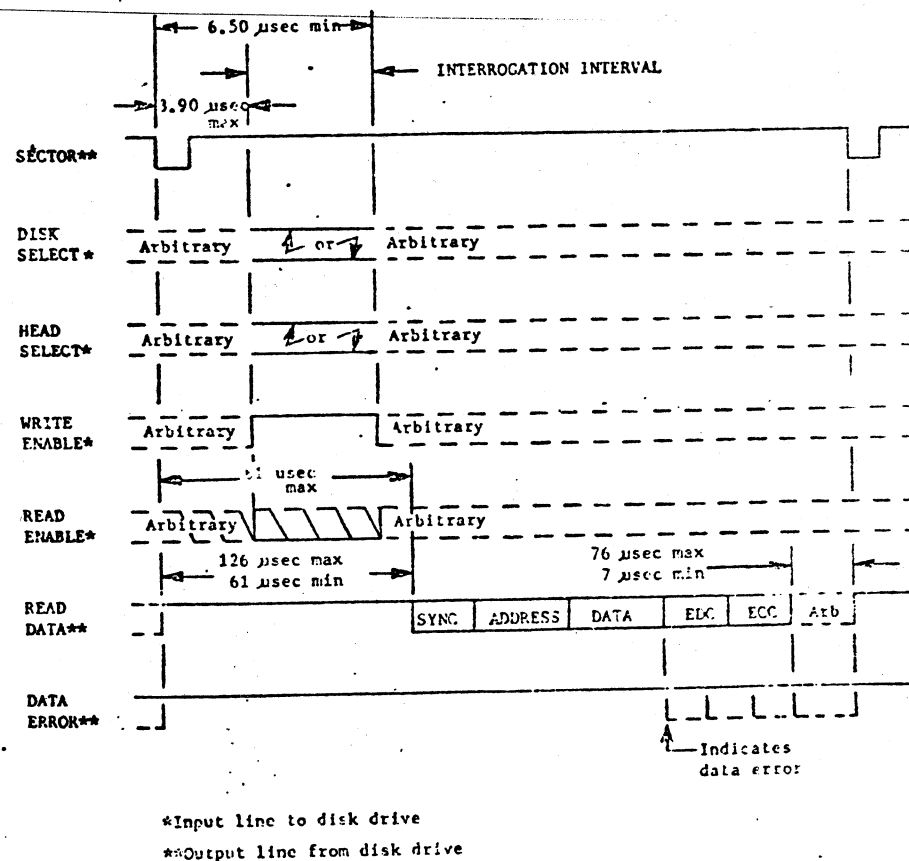
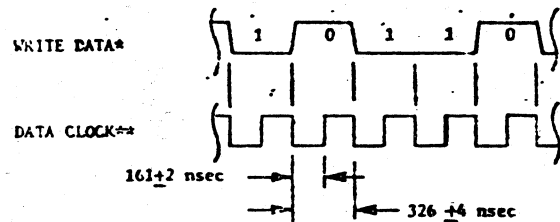


FIGURE 5  
READ OPERATION PRESENT SPINDLE SELECTED

Burroughs Corporation WESTLARK PLAZA WESTLARK VILLAGE CALIF 92380 U.S. AMERICA	PRDP	PHDZ	A 2162 8706	A
	CHRD	APPD		
<small>PROPRIETARY TO BURROUGHS NOT TO BE REPRODUCED OR USED FOR MANUFACTURING PURPOSES EXCEPT ON BURROUGHS ORDER OR WRITTEN CONSENT</small>			TITLE <b>INTERFACE TIMING DIAGRAMS</b>	
			PAGE 7 of 8	

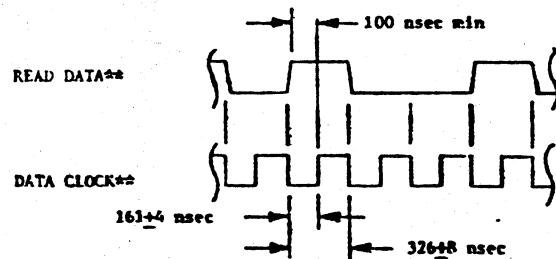
Burroughs Corporation WESTLARK PLAZA WESTLARK VILLAGE CALIF 92380 U.S. AMERICA	PRDP	PHDZ	A 2162 8705	PAGE 8
	CHRD	APPD		
<small>PROPRIETARY TO BURROUGHS NOT TO BE REPRODUCED OR USED FOR MANUFACTURING PURPOSES EXCEPT ON BURROUGHS ORDER OR WRITTEN CONSENT</small>			TITLE <b>INTERFACE TIMING DIAGRAMS</b>	

Write Operation



NOTE: The phase relationship shown is nominal only (Section 5.Z.4)

Read Operation



\*Input line to disk drive

\*\*Output line from disk drive

FIGURE 6  
DATA SYNCHRONIZATION

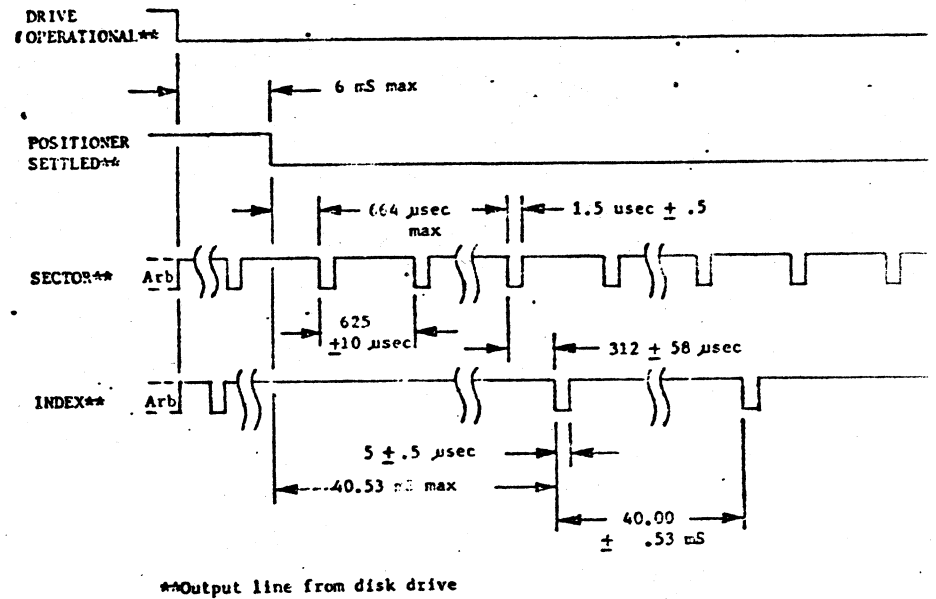


FIGURE 7  
INDEX AND SECTOR PULSES

ENGINEERING PARTS LIST REPORT

\*\*\* LAST CHANGE: 6 Oct, 1977

PRINTED: 6 Oct, 1977

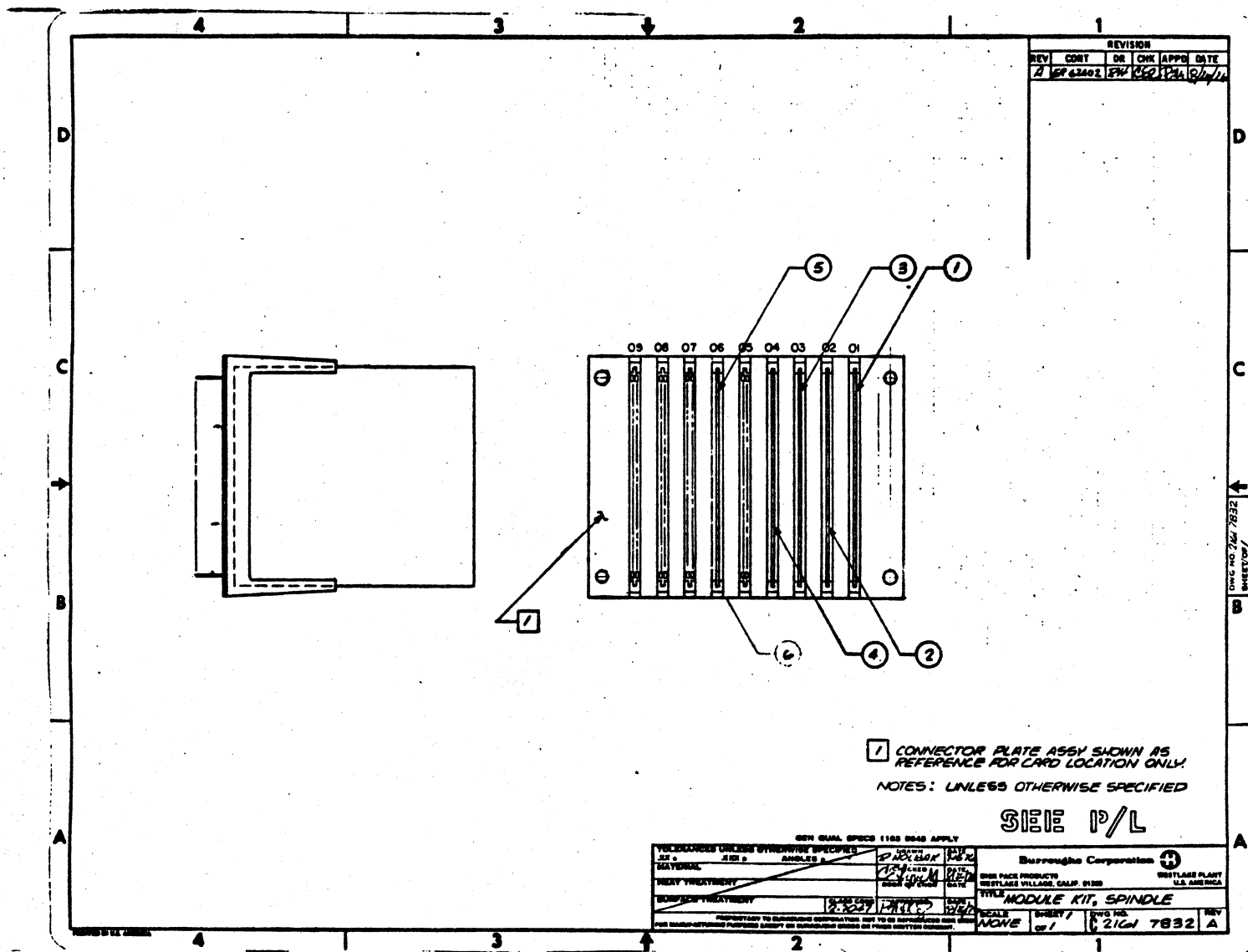
TRAN	PART/DOC NUMBER	DT	DESCRIPTION	DRW SIZE	DRW REV	ISSUE	UOM	CLASS CODE	DOC CODE	ECT	ECNO	DSGN CNTL
	2161 7832	PL	MODULE KIT-SPINDLE	C	A	8	EA	2-7047-000	2	ECN	10524	027

TRAN	ITEM	DT	DRW SIZE	PART/DOC NUMBER	DFW REV	ISSUE IN	DOC OUT	CODE	DESCRIPTION	QUANTITY	UOM	ECT	ECNO
	1	PL	D	2161 7881		1	999	2	PWBA-READ/WRIT AMP	1.00	EA		
	2	PL	D	2163 0660		3	999	2	PWBA-WRITE DRIVER	1.00	EA	ECN	63100
	3	PL	D	2163 0249		2	999	2	PWBA-XOCR AMP	1.00	EA	ECN	62770
	4	PL	D	2857 1487		8	999	2	PWBA-SERVO AMP	1.00	EA	ECN	10524
	5	PL	D	2161 7923		1	999	2	PWBA-TEMP COMP	1.00	EA		

\*\*\*\*\*ADDITIONS AND DELETES SINCE LAST ISSUE\*\*\*\*\*

D	4	PL	D	2857 1339		7	7	2	PWBA-SERVO AMP	1.00	EA		
A	4	PL	D	2857 1487		8	999	2	PWBA-SERVO AMP	1.00	EA	ECN	10524

\*\*\*\*\*LAST LINE\*\*\*\*\*



REVISION			
REV	COBT	DR	CHK APPD DATE
A	150 63402	PH	150 1/24 1974

7 CONNECTOR PLATE ASSY SHOWN AS REFERENCE FOR CARD LOCATION ONLY.  
 NOTES: UNLESS OTHERWISE SPECIFIED

SEE P/L

MATERIAL		FINISH		SHEET METAL	
SURFACE TREATMENT		FINISH		SHEET METAL	
MATERIAL		FINISH		SHEET METAL	
SURFACE TREATMENT		FINISH		SHEET METAL	
MATERIAL		FINISH		SHEET METAL	
SURFACE TREATMENT		FINISH		SHEET METAL	

TITLE: MODULE KIT, SPINDLE  
 SCALE: NONE  
 SHEET: 1 OF 1  
 DWG NO: 2161 7832 A  
 REV: A

ENGINEERING PARTS LIST REPORT

\*\*\* LAST CHANGE: 14 Jul, 1978

PRINTED: 14 Jul, 1978

PART/DOC TRAN NUMBER	DT	DESCRIPTION	DRW SIZE	DRW REV	ISSUE	UOM	CLASS CODE	DOC CODE	ECT	ECNO	DSGN CNTL
2161 7881	PL	PNBA-READ/WRIT AMP	D	A	5	EA	2-7045-000	2	ECN	10723	027

TRAN ITEM	DT	DRW SIZE	PART/DOC NUMBER	DRW REV	ISSUE IN	DOC OUT CODE	DESCRIPTION	QUANTITY	UOM	ECT	ECNO
1	PL	D	2161 7899		1 999	2	PNB-READ/WRITE AMP	1.00	EA		
2		S	1269 6985		1 999	0	NE592K VICO AMP	2.00	EA		
3			2155 2112		1 999	0	IC,E.C.L. 10116	1.00	EA		
4	S		2604 3547		1 999	7	I.C. 7445	1.00	EA		
5		S	1446 7153		1 999	0	TRANS,2N2222A	2.00	EA		
6		S	1446 7187		1 999	0	TRANS,2N2907A	3.00	EA		
7		S	1446 7245		1 999	0	DIODE,1N4448	10.00	EA		
8		S	2300 5424		1 999	6	DIODE,ZENER 1N5230	2.00	EA		
9	S		2027 2605		1 999	0	CAP,13PF 5X 100V	1.00	EA		
10			1269 5318		1 999	0	CAP,56PF	1.00	EA		
11	S		2027 2753		1 999	0	CAP,62PF 5X 100V	1.00	EA		
12		S	1269 5342		1 999	0	CAP CEM 100PF	1.00	EA		
13		S	2300 5572		1 999	0	CAP,1000PF 20X50V	1.00	EA		
15			2300 5747		1 999	0	CAP,.022UF 10X 50V	1.00	EA		

142

ENGINEERING PARTS LIST REPORT

\*\*\* LAST CHANGE: 14 Jul, 1978

PRINTED: 14 Jul, 1978

PART/DOC TRAN NUMBER	DT	DESCRIPTION	DRW SIZE	DRW REV	ISSUE	UOM	CLASS CODE	DOC CODE	ECT	ECNO	DSGN CNTL
2161 7881	PL	PNBA-READ/WRIT AMP	D	A	5	EA	2-7045-000	2	ECN	10723	027

TRAN ITEM	DT	DRW SIZE	PART/DOC NUMBER	DRW REV	ISSUE IN	DOC OUT CODE	DESCRIPTION	QUANTITY	UOM	ECT	ECNO
16		S	2300 5879		1 999	0	CAP 0.1 UF 50V	14.00	EA		
17		ST	1267 9064		1 999	0	CAP TANTALUM 2.2UF	1.00	EA		
18		S	1267 9106		1 999	0	CAP 4.7UF 10V	2.00	EA		
19		S	1111 8254		1 999	0	RES,10 2X 1/4W	4.00	EA		
20		S	1111 8304		1 999	0	RES,16.2 OHM 1/4W	2.00	EA		
21		S	1111 8307		1 999	0	RES,34.0 2X 1/4W	1.00	EA		
22		S	1111 8429		1 999	0	RES,51.1 2X 1/4W	2.00	EA		
23		S	1111 8478		1 999	0	RES,82.5 2X 1/4W	2.00	EA		
24		S	1111 8494		3 999	0	RES,100 1/4W 2X	9.00	EA	ECN 62746	
25		S	1111 8528		1 999	0	RES,133 2X 1/4W	2.00	EA		
26		S	1111 8668		1 999	0	RES,511 1/4W 2X	6.00	EA		
27		S	1111 8692		1 999	0	RES,681,2X 1/4W	2.00	EA		
28		S	1111 8700		1 999	0	RES,750 2X 1/4W	2.00	EA		
29		S	1111 8858		1 999	0	RES,3.16K 2X1/4 W	2.00	EA		

143



ENGINEERING PARTS LIST REPORT

\*\*\* LAST CHANGE: 14 Jul, 1978

PRINTED: 14 Jul, 1978

TRAN	PART/DOC NUMBER	DT	DESCRIPTION	DRW SIZE	DRW REV	ISSUE	UOM	CLASS CODE	DOC CODE	ECT	ECNO	DSG CATL
2161	7881	FL	PNBA-READ/WRIT AMP	D		A 5	EA	2-7045-000	2	ECN	10723	027

TRAN	ITEM	DT	DRW SIZE	PART/DOC NUMBER	DRW REV	ISSUE IN	DOC OUT CODE	DESCRIPTION	QUANTITY	UOM	ECT	ECNO
	30	S		1111 8974		1 999 0		RES-3030 2X1/4W	2.00	EA		
	31	S		1111 8932		1 999 0		RES-6810 2X 1/4W	2.00	EA		
	32	S		1111 8973		1 999 0		RES-10K 2X 1/4W	4.00	EA		
	33			2010 9971		1 999 0		CHOKE-27UH	2.00	EA		
	34	A		1447 1734		1 999 0		POST-MOD 2	5.00	EA		
	35	B		2857 1636		4 999 0		SPACER-MOD	2.00	EA	ECN 10545	
	36	C		2161 3023		1 999 0		SHIELD-R/W AMP	1.00	EA		
	37	S		2047 0035		1 999 0		MYLAR-ADH BACKED	0.00	AR		
	38	D		2161 7915	C	5 999 4		SCHEM-R/W AMP	0.00	RF	ECN 10723	
	39	A		2162 1776		1 999 4		SPEC-PERF-R/W AMP	0.00	RF		
	40	S	A	2320 5870		1 999 0		CCAN-HEADER-5 PIN	1.00	EA		
	41	S		1111 8734		1 999 0		RES- 1K 1/4W 2X	1.00	EA		
	42	S		1111 8882		1 999 0		RES-4.22K 2X1/4 W	1.00	EA		

PAGE 3

ASSEMBLY 2161 7881 ISSUE 5

144

ENGINEERING PARTS LIST REPORT

\*\*\* LAST CHANGE: 14 Jul, 1978

PRINTED: 14 Jul, 1978

TRAN	PART/DOC NUMBER	DT	DESCRIPTION	DRW SIZE	DRW REV	ISSUE	UOM	CLASS CODE	DOC CODE	ECT	ECNO	DSG CATL
2161	7881	FL	PNBA-READ/WRIT AMP	D		A 5	EA	2-7045-000	2	ECN	10723	027

TRAN	ITEM	DT	DRW SIZE	PART/DOC NUMBER	DRW REV	ISSUE IN	DOC OUT CODE	DESCRIPTION	QUANTITY	UOM	ECT	ECNO
	C 38	D		2161 7915	B	1 4 4		SCHEM-R/W AMP	0.00	RF	ECN 10723	

\*\*\*\*\*ADDITIONS AND DELETES SINCE LAST ISSUE\*\*\*\*\*

\*\*\*\*\*LAST LINE\*\*\*\*\*

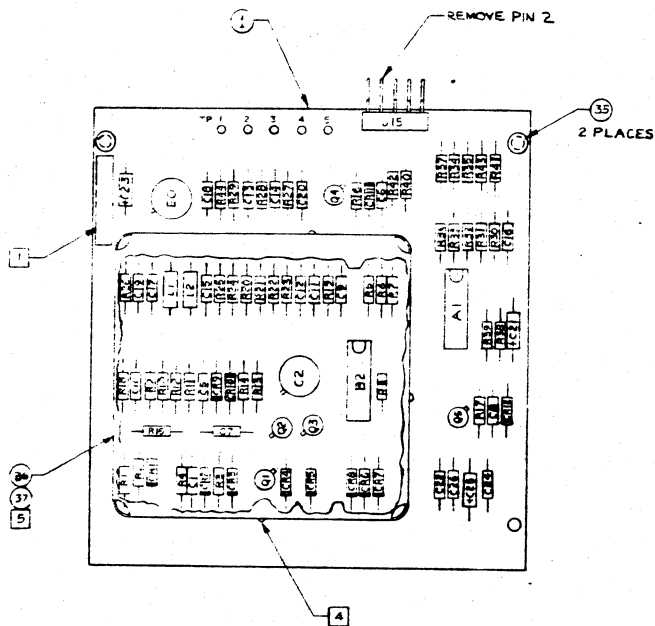
145

PAGE 4

ASSEMBLY 2161 7881 ISSUE 5

21617881A LOT1  
PWBA READ/WRITE AMP

REF. DESIGNATION TABLE	
ITEM NO.	REF DESIGNATION OR LOCATION
2	C2, E0
3	A1
4	B2
5	Q1, Q4
6	Q2, Q3, Q5
7	CR1 THRU CR10
8	CR11, CR12
9	C1E
10	C5
11	C17
12	C18
13	C1
15	C7
16	C6, C8, C9, C10, C11, C12, C13, C14 C16, C19, C20, C22, C24, C26
17	C25
18	C21, C23
19	R18, R19, R26, R27
20	R16, R17
21	R15
22	R13, R14
23	R40, R42
24	R20, R23, R26, R29, R32
25	R33, R35, R39, R44
25	R41, R43
26	R30, R31, R34, R36, R34, R37
27	R11, R12
28	R21, R22
29	R24, R25
30	R9, R10
31	R3, R4
32	R5, R6, R7, R6
33	L1, L2
34	TP1, TP2, TP3, TP4, TP5
40	J15
41	R1
42	R2



6. MAX. HEIGHT OF COMPONENTS UNDER SHIELD TO BE .312

5. COMPLETELY INSULATE INSIDE AND OUTSIDE OF TOP OF ITEM 36 USING ITEM 37

4. TACK SOLDER SHIELD TO GND PLANE APPROX AS SHOWN

3. SEE ITEM 39 ON P/L FOR PERFORMANCE SPEC.

2. SEE ITEM 38 ON P/L FOR SCHEMATIC.

1. MARK ASSY NO. AND ISSUE LEVEL, APPROX WHERE SHOWN, IN .12 HIGH GOTHIC CHARACTERS USING BLACK STENCIL INK.

NOTES: UNLESS OTHERWISE SPECIFIED

SEE P/L

GEN. QUAL. SPEC. 1183 B543 APPLY		Sylvania Corporation	
YOU SPECIFY UNLESS OTHERWISE SPECIFIED	DRY	DES PAGE PRODUCTS	WEST LAKE, N.J.
MATERIAL	ANGLE	WEST LAKE VILLAGE CALIF. 91380	WEST LAKE, N.J.
TREATMENT	DATE	TITLE	SCALE
DATE	DATE	PWBA READ/WRITE AMP	2701
DATE	DATE	SHEET 1	OF 1
DATE	DATE	21617881	

146

ENGINEERING PARTS LIST REPORT

LAST CHANGE: 14 Jul, 1978

PRINTED: 14 Jul, 1978

PART/DOC		CT	DESCRIPTION	DRM		ISSUE	UDM	CLASS CODE	DOC CODE	ECT	ECNO	DSGN CATL
TRAN NUMBER	DT			SIZE	DRM REV							
2163	0660	PL	PWBA-WRITE DRIVER	D		A	4	EA	2-7045-000	2	ECN	10723 027

TRAN ITEM	DT	DRM SIZE	PART/DOC NUMBER	DRM REV	ISSUE IN	DOC OUT CODE	DESCRIPTION	QUANTITY	UDM	ECT	ECNO
1	PL	D	2163 0670		1 999	2	PWB-WRITE DRIVER	1.00	EA		
2	S		2046 9690		1 999	0	DIODE, TYPE 1A914-A	6.00	EA		
3	A		1674 4963		1 999	0	IC OC HEX INV 7406	1.00	EA		
4			2159 3306		1 999	0	IC, CA3054	1.00	EA		
5			2160 5126		1 999	0	TX, MH029070UAD PNP	1.00	EA		
6	ST		2600 1537		1 999	0	IC-D-FF 74S74	1.00	EA		
7	S		1446 7187		1 999	0	TRANS, 2N2907A	1.00	EA		
8	S		2118 8297		1 999	0	IC LX339COMPARATOR	1.00	EA		
9	ST	A	2300 5713		1 999	0	CAP .015MF	1.00	EA		
10	S		2300 5879		3 999	0	CAP 0.1 UF 50V	5.00	EA	ECN	10631
11	S		1111 8320		1 999	0	RES-19.6 1/4W 2X	1.00	EA		
12	S		1111 8403		1 999	0	RES-42.2 1/4W 2X	1.00	EA		
13	S		1111 8445		1 999	0	RES-61.9 2X1/4W	2.00	EA		
14	S		1111 8569		1 999	0	RES-196 2X 1/4W	1.00	EA		

PAGE 1

ASSEMBLY 2163 0660 ISSUE 4

147

ENGINEERING PARTS LIST REPORT

LAST CHANGE: 14 Jul, 1978

PRINTED: 14 Jul, 1978

PART/DOC		CT	DESCRIPTION	DRM		ISSUE	UDM	CLASS CODE	DOC CODE	ECT	ECNO	DSGN CATL
TRAN NUMBER	DT			SIZE	DRM REV							
2163	0660	PL	PWBA-WRITE DRIVER	D		A	4	EA	2-7045-000	2	ECN	10723 027

TRAN ITEM	DT	DRM SIZE	PART/DOC NUMBER	DRM REV	ISSUE IN	DOC OUT CODE	DESCRIPTION	QUANTITY	UDM	ECT	ECNO
15	S		1111 9203		1 999	0	RES-90.9K 2X1/4W	1.00	EA		
16	S		1111 8676		1 999	0	RES, 562 2X 1/4W	1.00	EA		
17	S		1111 8684		1 999	0	RES, 619 2X 1/4W	1.00	EA		
18	S		1111 8734		1 999	0	RES, 1K 1/4W 2X	6.00	EA		
19	S		1111 8502		1 999	0	RES, 110 2X1/4W	1.00	EA		
20	S		1111 8759		1 999	0	RES, 1.21K 2X 1/4W	1.00	EA		
21	S		1111 8767		1 999	0	RES-1330 + 2X 1/4W	1.00	EA		
22	S		1111 8783		1 999	0	RES, 1.62K 2X 1/4W	1.00	EA		
23	S		1111 8858		1 999	0	RES, 3.16K 2X1/4 W	1.00	EA		
24	S		1111 8866		1 999	0	RES, 3.48K 2X1/4 W	1.00	EA		
25	S		1111 8908		1 999	0	RES, 5110 2X, 1/4W	2.00	EA		
26	S		1111 8940		1 999	0	RES, 7.5K 2X 1/4W	1.00	EA		
27	S		1111 8973		1 999	0	RES, 10K 2X, 1/4W	7.00	EA		
28	S		1111 9070		1 999	0	RES-26.1K 2X 1/4W	1.00	EA		

PAGE 2

ASSEMBLY 2163 0660 ISSUE 4

148

ENGINEERING PARTS LIST REPORT

\*\*\* LAST CHANGE: 14 Jul, 1978

PRINTED: 14 Jul, 1978

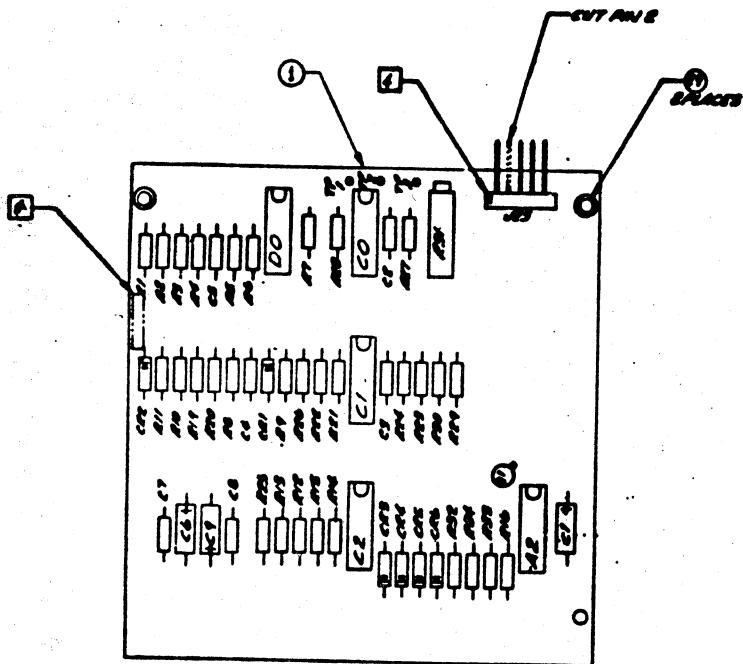
PART/DOC TRAN NUMBER	DT	DESCRIPTION	DRM SIZE	DRR REV	ISSUE	UDM	CLASS CODE	DOC CODE	ECT	ECNO	DSGN CNTL
2163 0660	PL	PNBA-WRITE DRIVER	D	A	4	EA	2-7045-000	2	ECN	10723	027

TRAN ITEM	DT	DRM SIZE	PART/DOC NUMBER	DRM REV	ISSUE IN	DOC OUT CODE	DESCRIPTION	QUANTITY	UDM	ECT	ECNO
29	B		2857 1636		2	999 0	SPACER,MOD	2.00	EA	ECN	10545
30	D		2161 8194	D	4	999 4	SCHEM-WRITE DRIVER	0.00	RF	ECN	10723
31	A		2162 2071		1	999 4	SPS-WRITE DRIVER	0.00	RF		
32	S		1267 9106		3	999 0	CAP 4.7UF 10V	3.00	EA	ECN	10631
33	S	A	2028 5870		1	999 0	CORN,HEADER-5 PIN	1.00	EA		
34	S		1877 4299		1	999 0	POT,10K,3/4W	1.00	EA		
35	A		1447 1734		1	999 0	POST-MOD 2	3.00	EA		

\*\*\*\*\*ADDITIONS AND DELETES SINCE LAST ISSUE\*\*\*\*\*

C	30	D	2161 8194	C	1	3 4	SCHEM-WRITE DRIVER	0.00	RF	ECN	10723
---	----	---	-----------	---	---	-----	--------------------	------	----	-----	-------

\*\*\*\*\* LAST LINE \*\*\*\*\*



REF. DESIGNATION TABLE	
ITEM NO.	REF. DESIGNATION OR LOCATION
1	CRT THRU C.B.G.
2	C1
3	C2
4	C3
5	C4
6	C5
7	C6
8	C7
9	C8
10	C9, C10, C11, C12
11	R10
12	R12
13	R5, R6
14	R15
15	R34
16	R4
17	R13
18	R3, R10, R11, R12, R13, R14, R15
19	R25
20	R8
21	R9
22	R1
23	R2
24	R10
25	R1, R2, R3, R4, R5, R6, R7, R8, R9, R10, R11, R12, R13, R14, R15, R16, R17, R18, R19, R20, R21, R22, R23, R24, R25, R26, R27, R28, R29, R30, R31
26	R14
27	R10, R20, R22, R24, R25, R26, R27, R28, R29, R30, R31
28	R21
29	C1, C2, C3, C4
30	J22
31	R31
32	T1, T2, T3

- 4 MARK PIN NO. AND REF DESIGNATION WHERE SHOWN, USING .12 HIGH GOTHIC WHITE STENCIL INK CHARACTERS.
2. SEE ITEM #1 ON P/L FOR PERFORMANCE SPEC.
3. SEE ITEM 30 ON P/L FOR SCHEMATIC.
- 1 MARK ASSY NO. AND ISSUE LEVEL, APPROX WHERE SHOWN, IN .12 HIGH GOTHIC CHARACTERS USING BLACK STENCIL INK.

NOTES: UNLESS OTHERWISE SPECIFIED

SEE P/L

THE FOLLOWING DIMENSIONS UNLESS OTHERWISE SPECIFIED ARE IN INCHES DIMENSIONS IN PARENTHESES ARE IN MILLIMETERS		TITLE: PWEA WRITE DRIVER SCALE: 2 IN 1 SHEET: 1 OF 1 PART NO: 2/63 0660 A	
DESIGNED BY: C. J. H. AND J. W. H. CHECKED BY: J. W. H. DATE: 1-15-63	DRAWN BY: J. W. H. DATE: 1-15-63	APPROVED BY: J. W. H. DATE: 1-15-63	ENGINEER: J. W. H. DATE: 1-15-63
COMPANY: BORGWALDE CORPORATION DIVISION: ELECTRONIC DEPARTMENT PROJECT: PWEA WRITE DRIVER		DRAWING NO: 2/63 0660 A SHEET: 1 OF 1	

ENGINEERING PARTS LIST REPORT

\*\*\* LAST CHANGE: 24 Jul, 1979

PRINTED: 24 Jul, 1979

PART/DOC		DT	DESCRIPTION	DRW		ISSUE	UOM	CLASS CODE	DOC		DSGN
TRAN	NUMBER			SIZE	DRW REV				CODE	ECT	
2163	0249	PL	PBBA-XDCR AMP	B	D	6	EA	2-7045-00	2	ECN	10969 829

TRAN	ITEM	DRW DT	PART/DOC SIZE NUMBER	DRW REV	ISSUE IN	DOC OUT	CODE	DESCRIPTION	QUANTITY	UOM	ECT	ECNO
	1	PL	B 2163 0256		1	999	2	PB-XDCR AMP	1.00	EA		
	2	S	2118 0297		1	999	0	IC LM339COMPARATOR	2.00	EA		
	3	S	1907 7726		1	999	0	PKG-BP ANPL 747	2.00	EA		
	4	S	1446 7245		5	999	0	DIODE,1N4448	7.00	EA	ECN	10964
	5	S	1110 2373		6	999	0	DIODE,ZENER 1N746A	1.00	EA	ECN	10969
	6	S	2300 5697		1	999	0	CAP-.01 MF	13.00	EA		
	7	ST	1267 9031		1	999	0	CAP-E OF 20X35V	4.00	EA		
	8		1077 4273		1	999	0	POT,2K	1.00	EA		
	9	S	1077 4323		1	999	0	POT 50K	2.00	EA		
	10	S	A 1077 4349		1	999	0	POT 200K	1.00	EA		
	11	S	A 1265 7938		1	999	0	RES-4.300W 5% 10	1.00	EA		
	12	S	A 1265 7946		1	999	0	RES-4.7 00W 5% 1W	1.00	EA		
	13	S	1111 8726		1	999	0	RES-909 2% 1/4W	1.00	EA		
	14	S	1111 8627		1	999	0	RES-348 2% 1/4W	1.00	EA		

PAGE 1

ASSEMBLY 2163 0249 ISSUE 6

107

ENGINEERING PARTS LIST REPORT

\*\*\* LAST CHANGE: 24 Jul, 1979

PRINTED: 24 Jul, 1979

PART/DOC		DT	DESCRIPTION	DRW		ISSUE	UOM	CLASS CODE	DOC		DSGN
TRAN	NUMBER			SIZE	DRW REV				CODE	ECT	
2163	0249	PL	PBBA-XDCR AMP	B	D	6	EA	2-7045-000	2	ECN	10969 829

TRAN	ITEM	DRW DT	PART/DOC SIZE NUMBER	DRW REV	ISSUE IN	DOC OUT	CODE	DESCRIPTION	QUANTITY	UOM	ECT	ECNO
	15	S	1119 7753		1	999	0	CAP-.10F,20X 25V	1.00	EA		
	16	S	1111 8734		1	999	0	RES- 1K 1/4W 2%	7.00	EA		
	17	S	1111 8817		1	999	0	RES-2150 2% 1/4W	2.00	EA		
	18	S	1111 8882		1	999	0	RES-6.22K 2% 1/4 W	2.00	EA		
	19	S	1111 8908		1	999	0	RES-5110 2% 1/4W	6.00	EA		
	20	S	1111 8973		1	999	0	RES-10K 2% 1/4W	15.00	EA		
	21	S	1111 9054		1	999	0	RES-21.5K 2% 1/4W	1.00	EA		
	22	S	1111 9096		1	999	0	RES-51.6K 2% 1/4W	2.00	EA		
	24	S	1111 8809		1	999	0	RES-1960,2% 1/4W	1.00	EA		
	25	S	1267 0766		1	999	0	RES-301K 1/4W 1%	2.00	EA		
	26	ST	1267 1012		1	999	0	RES-1 NEG 1X1/4W	6.00	EA		
	27	B	2857 1636		2	999	0	SPACER-R00	2.00	EA	ECN	10545
	28	A	1447 1734		3	999	0	POST-R00 2	5.00	EA	ECN	10609

PAGE 2

ASSEMBLY 2163 0249 ISSUE 6

102

ENGINEERING PARTS LIST REPORT

LAST CHANGE 24 Jul, 1979

PRINTED: 28 Jul, 1979

PART/DOC TRAN NUMBER	DT	DESCRIPTION	DRN SIZE	DRN REV	ISSUE	UOM	CLASS CODE	DOC CODE	ECT	ECNO	DSGN CNTL
2163 0249	PL	PBDA-XDCR AMP	0	D	6	EA	2-7045-000	2	ECN	10969	829

TRAN	ITEM	DT	DRN SIZE	PART/DOC NUMBER	DRN REV	ISSUE IN	DOC OUT CODE	DESCRIPTION	QUANTITY	UOM	ECT	ECNO
	29	D		2162 0968	F	6	999 4	SCHEM-XDCR AMP	0.00	RF	ECN	10969
	30	A		2162 2030		1	999 4	SPS-XDCR AMP	0.00	RF		
	31	S		1269 5342		1	999 0	CAP CER 100PF	3.00	EA		
	32	S		1111 9013		1	999 0	RES-14.7K 2% 1/4W	2.00	EA		
	33	S		2157 3076		1	999 0	CAP NYLAR .0047UF	1.00	EA		
	34	S		1267 9196		1	999 0	CAP 4.7UF 10V	1.00	EA		
	35	S		1111 8916		6	999 0	RES-5620 + 2% 1/4W	2.00	EA	ECN	10969

\*\*\*\*\*ADDITIONS AND DELETES SINCE LAST ISSUE\*\*\*\*\*

D	5	S		2300 5424		1	5 0	DIODE,ZENER 1N5230	1.00	EA		
A	5	S		1110 2373		6	999 0	DIODE,ZENER 1N746A	1.00	EA		
D	23			1111 9153		1	6 0	RES,56.2K 2% 1/4W	1.00	EA		
C	29	D		2162 0968		5	5 4	SCHEM-XDCR AMP	0.00	RF		
C	35	S		1111 8916		1	5 0	RES,5620 + 2% 1/4W	1.00	EA	ECN	10969

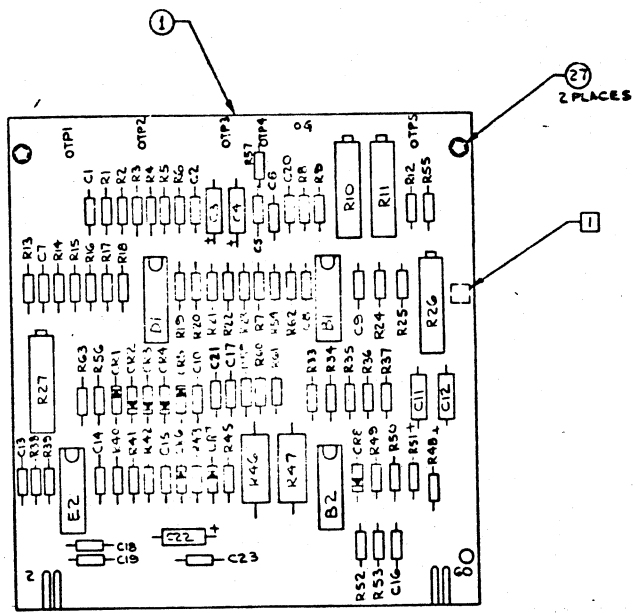
\*\*\*\*\* LAST LINE \*\*\*\*\*

2163 0249D 1 of 1  
 PWBA - XDCR AMP

1 AND 1 ASSY'S  
 60 50 E" 2 ON BAG 2

REVISION	
REV.	CONT. ON FOR APPR. DATE
A	REVISED TO 2163 0249D
B	INITIAL RELEASE
C	REVISIONS ADDED THIS SHEET ITEM 34 ADDED ITEM 35
D	ON REF. DESIGNATION TABLE IN ITEM 4 ADDED C.F. B 20, 16, 20, 17, 18, 19, 22
E	ON REF. DESIGNATION TABLE ITEM 23 CHANGED FROM R 56 TO: R 55, DELETED ITEM 23 WAS: R 55 AND IN ITEM 25 ADDED R 56

REF. DESIGNATION TABLE	
ITEM NO.	REF. DESIGNATION OR LOCATION
2	R2, D1
3	R1, E2
4	C.R1, 2, 4, 5, 6, 7, 8
5	C.R3
6	C1, 2, 3, 4, 5, 6, 7, 8, 9, 10, 11, 12, 13, 14, 15, 16, 17
7	C3, 4, 11, 12
8	R26
9	R10, 27
10	R11
11	R46
12	R47
13	P.G.
14	R.G1
15	C.23
16	R12, R23, R30, R38, R41, R49, R57
17	R34, R37
18	R45, R52
19	R3, R5, R21, R43, R50, R51
20	R1, 2, 5, 6, 7, 15, 16, 17, 18, 19, 22, 23, 48, 52, 53
21	R55
22	R8, R39
23	
24	R25
25	R9, R24
26	R4, 4, 20, 35, 40, 42
31	C.8, 15, 20
32	R02, R54
33	C17
28	TP1, TP2, TP3, TP4, TP5
34	C22
35	R33, R56



- 3. SEE ITEM 30 ON P/L FOR PERFORMANCE SPEC.
- 2. SEE ITEM 29 ON P/L FOR SCHEMATIC.
- 1. MARK ASSY NO. AND ISSUE LEVEL, APPROX WHERE SHOWN, IN .12 HIGH GOTHIC CHARACTERS USING BLACK STENCIL INK.

NOTES: UNLESS OTHERWISE SPECIFIED

SEE P/L

TOLERANCES UNLESS OTHERWISE SPECIFIED		DRAWN DATE		Burrage Corporation	
SIZE	ANGLES	DATE	1-4-57	WESTLAKES PLAZA	
MATERIAL		DATE	2-2-57	WESTLAKES VILLAGE CALIF. 91386	
HEAT TREATMENT		DATE	2-2-57	U.S. AMERICA	
SUN/ANNEAL TREATMENT		DATE	2-2-57	TITLE	
		DATE	2-2-57	PWBA XDCR AMP	
PROPERTY TO BURRAGE CORPORATION. NOT TO BE REPRODUCED OR USED FOR ANY OTHER PURPOSES WITHOUT THE WRITTEN CONSENT OF BURRAGE CORPORATION.		SCALE	3 SHEETS	SHEET NO.	1
		2163 0249 D			

DRAW NO. 2163 0249D SHEET 1 OF 1

154

154



ENGINEERING PARTS LIST REPORT

LAST CHANGE: 14 Jul, 1978

PRINTED: 14 Jul, 1978

PART/DOC TRAN NUMBER		DT	DESCRIPTION	DRW SIZE	DRW REV	ISSUE	UOM	CLASS CODE	DOC CODE	ECT	ECNO	DSGN CNTL
2857 1487		PL	PWBA-SERVO AMP	D	A	3	EA	2-7045-000	2	ECM	10723	027

TRAN	ITEM	DT	DRW SIZE	PART/DOC NUMBER	DRW REV	ISSUE IN	DOC OUT	DESCRIPTION	QUANTITY	UOM	ECT	ECNO
1	PL	D		2857 1479		1 999	2	PWB-SERVO AMP	1.00	EA	ECN	10524
2		S		2118 8297		1 999	0	IC LM339COMPARATOR	1.00	EA		
3				2155 6394		1 999	0	PROG AMP 2405	1.00	EA		
4		S		1446 7153		1 999	0	TRANS-2N2222A	1.00	EA		
5		S		1446 7245		1 999	0	DIODE-1N4448	2.00	EA		
6	S	A		2204 6973		1 999	0	DIODE 1N759A	1.00	EA		
7		S		2204 7005		1 999	0	DIODE-TYPE 1N755A	1.00	EA		
8		S		1269 5342		1 999	0	CAP CER 100PF	1.00	EA		
9		S		2300 5697		1 999	0	CAP. .01 MF	5.00	EA		
10		ST		1267 9031		1 999	0	CAP-1 UF 20X35V	2.00	EA		
11		S		2158 0626		1 999	0	RESISTOR VAR 5K	1.00	EA		
12		S		1111 8494		1 999	0	RES-100 1/4W 2X	2.00	EA		
13		S		1111 8676		1 999	0	RES-562 2X 1/4W	1.00	EA		
14		S		1111 8619		1 999	0	RES-316-2X 1/4W	1.00	EA		

PAGE 1

ASSEMBLY 2857 1487 ISSUE 3

155

ENGINEERING PARTS LIST REPORT

LAST CHANGE: 14 Jul, 1978

PRINTED: 14 Jul, 1978

PART/DOC TRAN NUMBER		DT	DESCRIPTION	DRW SIZE	DRW REV	ISSUE	UOM	CLASS CODE	DOC CODE	ECT	ECNO	DSGN CNTL
2857 1487		PL	PWBA-SERVO AMP	D	A	3	EA	2-7045-000	2	ECM	10723	027

TRAN	ITEM	DT	DRW SIZE	PART/DOC NUMBER	DRW REV	ISSUE IN	DOC OUT	DESCRIPTION	QUANTITY	UOM	ECT	ECNO
15		S		1111 8734		1 999	0	RES- 1K 1/4W 2X	1.00	EA		
16		S		1111 8759		1 999	0	RES-1.21K 2X 1/4W	2.00	EA		
17		S		1111 8783		1 999	0	RES-1.62K 2X 1/4W	1.00	EA		
18		S		1111 8775		1 999	0	RES-1.47K 2X 1/4W	1.00	EA		
19		S		1111 8866		1 999	0	RES-3.40K 2X 1/4 W	1.00	EA		
20		S		1111 8890		1 999	0	RES-4640 2X 1/4W	1.00	EA		
21		S		1111 8908		1 999	0	RES-5110 2X-1/4W	2.00	EA		
22		S		1111 8916		1 999	0	RES-5620 + 2X 1/4W	1.00	EA		
23		S		1111 8940		1 999	0	RES-7.5K 2X 1/4W	1.00	EA		
24		S		1111 8973		1 999	0	RES-10K 2X-1/4W	5.00	EA		
25		S		1111 9339		1 999	0	RES-17.8K 1/4W	1.00	EA		
26		S		1111 9047		1 999	0	RES-19.6K 2X 1/4W	1.00	EA		
27		S		1111 9054		1 999	0	RES-21.5K 2X 1/4W	1.00	EA		
29		S		1111 9070		1 999	0	RES-26.1K 2X 1/4W	1.00	EA		

PAGE 2

ASSEMBLY 2857 1487 ISSUE 3

156

ENGINEERING PARTS LIST REPORT

LAST CHANGE: 14 Jul, 1978

PRINTED: 14 Jul, 1978

PART/DOC	DT	DESCRIPTION	DRW SIZE	DRW REV	ISSUE	UOM	CLASS CODE	DOC CODE	ECT	ECNO	DSGN CNTL
2857 1487	PL	PWBA-SERVO AMP	D	A	3	EA	2-7045-000	2	ECN	10723	027

TRAN ITEM	DT	DRW SIZE	PART/DOC NUMBER	DRW REV	ISSUE IN	DOC OUT	CODE	DESCRIPTION	QUANTITY	UOM	ECT	ECNO
30	S		1111 8973		1	999	0	RES. 10KOHM2% 1/4W	1.00	EA	ECN	10524
31	S		1111 9146		1	999	0	RES. 51.1K 2% 1/4W	6.00	EA	ECN	10507
32			1111 9153		1	999	0	RES. 56.2K 2% 1/4W	1.00	EA		
33	S		1111 9179		1	999	0	RES. 68.1K 2% 1/4W	1.00	EA		
34	S		1111 9211		1	999	0	RES. 10%K 1/4W 2%	1.00	EA		
35			1111 9252		1	999	0	RES. 147K 2% 1/4W	1.00	EA	ECN	10507
36	S	A	1265 6773		1	999	0	RES. 750K 5% 1/4W	4.00	EA		
38	B		2857 1636		2	999	0	SPACER, MOD	2.00	EA	ECN	10545
39	D		2857 1354	C	3	999	4	SCHEM-SERVO AMP	0.00	RF	ECN	10723
40	A		2162 1792		1	999	4	SPEC. PERF-SVO AMP	0.00	RF		
41			1265 7375		1	999	0	RES. 5.1 MEG.	1.00	EA		
42	A		1877 4349		1	999	0	POT.	1.00	EA	ECN	10524

..... ADDITIONS AND DELETES SINCE LAST ISSUE .....

PAGE 3

ASSEMBLY 2857 1487 ISSUE 3

157

ENGINEERING PARTS LIST REPORT

LAST CHANGE: 14 Jul, 1978

PRINTED: 14 Jul, 1978

PART/DOC	DT	DESCRIPTION	DRW SIZE	DRW REV	ISSUE	UOM	CLASS CODE	DOC CODE	ECT	ECNO	DSGN CNTL
2857 1487	PL	PWBA-SERVO AMP	D	A	3	EA	2-7045-000	2	ECN	10723	027

TRAN ITEM	DT	DRW SIZE	PART/DOC NUMBER	DRW REV	ISSUE IN	DOC OUT	CODE	DESCRIPTION	QUANTITY	UOM	ECT	ECNO
C 39	D		2857 1354	B	1	2	4	SCHEM-SERVO AMP	0.00	RF	ECN	10723

..... LAST LINE .....

PAGE 4

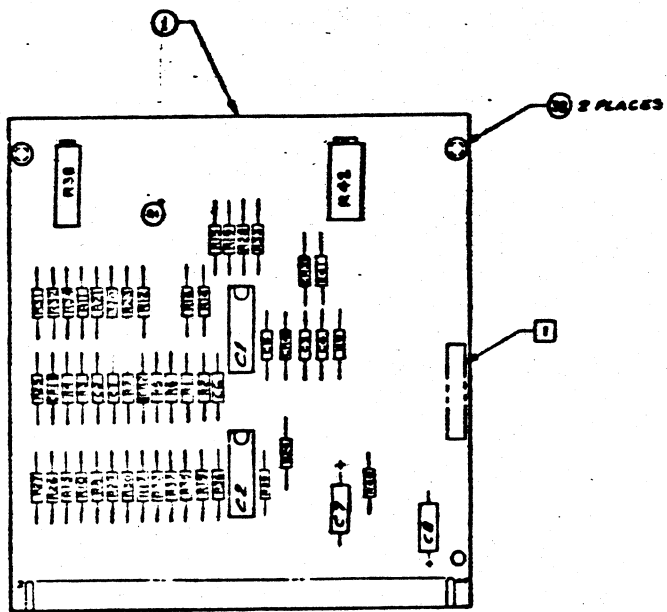
ASSEMBLY 2857 1487 ISSUE 3

158

D 2857 1487 A 1 of 1  
Pwba Servo Amp

1 OF 1 SHEET  
LEFT HAND SIDE 2

REVISION			
REV.	CONT.	BY	CHK. APPROV. DATE
A	REVISED		
WAS 2857 1330			



REF. DESIGNATION TABLE	
ITEM NO.	REF. DESIGNATION OR LOCATION
1	C2
2	C1
3	Q1
4	CR2, CR3
5	CR4
6	CR1
7	CS
8	C1, C2, C4, C5, C6
9	C7, C8
10	R25B
11	R17, R18
12	R23
13	R24
14	R26
15	R28
16	R1, R11
17	R28
18	R27
19	R30
20	Q4
21	R14, R15
22	R29
23	R32
24	R21, R10, R12, R13, R40
25	R31
26	R8
27	R22
28	R20
29	R21
30	R20
31	R3, R6, R7, R13, R30, R18
32	R2
33	R31
34	R2
35	CR2
36	R10, R15, R26, R37
41	K41
42	K42

- 3. SEE ITEM 40 ON P/L FOR PERFORMANCE SPEC.
- 2. SEE ITEM 39 ON P/L FOR SCHEMATIC.

1 MARK ASSY NO. AND ISSUE LEVEL, APPROX WHERE SHOWN, IN .12 HIGH GOTHIC CHARACTERS USING BLACK STENCIL INK.

NOTES: UNLESS OTHERWISE SPECIFIED

**SEE P/L**

REVISIONS SHEET (SEE P/L)		GPO (GPO MAIL TO THE GPO)	
REVISED BY	DATE	REVISED BY	DATE
DESIGNED BY	DATE	DESIGNED BY	DATE
CHECKED BY	DATE	CHECKED BY	DATE
APPROVED BY	DATE	APPROVED BY	DATE
Burrheads		Burrheads	
QUANTITY		QUANTITY	
TITLE		TITLE	
Pwba SERVO AMP		Pwba SERVO AMP	
2857 1487		2857 1487	

ENGINEERING PAF's LIST REPORT

\*\*\* LAST CHANGE: 14 Jul, 1978

PRINTED: 14 Jul, 1978

TRAN	PART/DOC NUMBER	DT	DESCRIPTION	DRW SIZE	DRW REV	ISSUE	UCM	CLASS	CGDE	DGC CCDE	ECT	ECNC	ESCA CATL
	2160 2750	MU	PN6-INTERFACE BD	D		E	10	EA	2-7010-000	2	ECN	10723	027

TRAN	ITEM	DRW DT	PART/DOC SIZE NUMBER	DRW REV	ISSUE IN	LOC OUT CODE	DESCRIPTION	QUANTITY	UCM	ECT	ECNC
	1		2160 2768	D	5	999 3	ART-INTERFACE BD	0.00	RF		
	2		2160 2749	C	7	999 4	SCH-R/W INTRFC -32	0.00	RF	ECN	62846
	3		2160 5316	D	9	999 4	SCH-SVC INTRFCE BD	0.00	RF	ECN	62996
	4	A	2157 6737	F	1	999 3	PROCESS SPEC	0.00	RF		
	5	D	2162 4101	B	10	999 4	SCH-R/W INTRFC 201	0.00	RF	ECN	10723

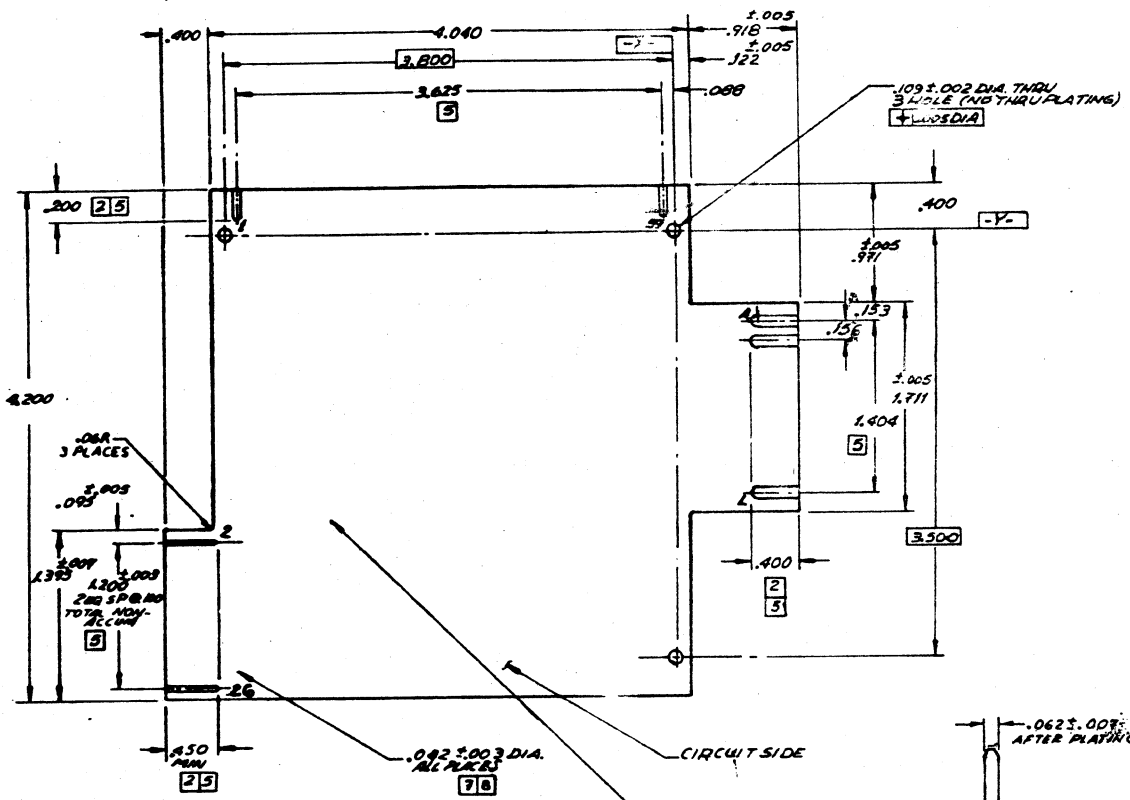
\*\*\*\*\*ADDITIONS AND DELETES SINCE LAST ISSUE\*\*\*\*\*

C	5	D	2162 4101	A	1	9 4	SCH-R/W INTRFC 201	0.00	RF	ECN	10723
---	---	---	-----------	---	---	-----	--------------------	------	----	-----	-------

\*\*\*\*\*LAST LINE\*\*\*\*\*

160

A  
 B  
 C  
 D BR 61902  
 E 62847  
 ADDED SIDE VIEW OF BOARD  
 AND DETAIL A



- 1 PLATE PWB WITH 4 OZ COPPER BOTH SIDES
- 2 ALL PLATED THROUGH HOLES WILL HAVE .002 TO .003 WALL THICKNESS.
- 7 HOLES ON .025 GRID TO BE LOCATED  
 109 ±.012 DIA TRUE POSITION.
- 6 MARK REV LETTER APPROX WHERE SHOWN USING .12 HIGH GOTHIC, WHITE STENCIL INK CHARACTERS.
- 5 THESE DIMENSIONS ARE DELINEATED ON ARTWORK AND ARE FOR REFERENCE ONLY.
- 4 FOR BOARD ARTWORK SEE P/L
- 3 VENDOR TO MARK O.I.L. APPROVAL & DATE CODE APPROX WHERE SHOWN.
- 2 CONTACT FINGER PLATING AREA  
 1 FOR DETAIL PROCESS SPECIFICATION SEE P/L

NOTES: UNLESS OTHERWISE SPECIFIED.

SEE P/L

DETAIL A  
SCALE 4:1

MATERIAL		Burroughs Corporation	
REACT TREATMENT		PWB INTERFACE BD.	
SURFACE TREATMENT		21602750 E	

ENGINEERING PARTS LIST REPORT

\*\*\* LAST CHANGE: 14 Jul, 1978

PRINTED: 14 Jul, 1978

PART/DOC TRAN NUMBER	DT	DESCRIPTION	DRN SIZE	DRN REV	ISSUE	UOM	CLASS CODE	DOC CODE	ECT	ECNO	DSGN CNTL
2161 7923	PL	PNBA-TEMP COMP	D	B	5	EA	2-7045-09G	2	ECN	10723	027

\*\*\*\*HEADER LINE CHANGES SINCE LAST ISSUE\*\*\*\*

A

TRAN ITEM	DT	DRN SIZE	PART/DOC NUMBER	DRN REV	ISSUE IN	DOC OUT CODE	DESCRIPTION	QUANTITY	UOM	ECT	ECNO
1	PL	D	2161 7931		1 999 2		PNB-TEMP COMP	1.00	EA		
2	S		1907 7726		1 999 0		PKG-OP AMPL 747	3.00	EA		
3	S		2118 8297		1 999 0		IC LM339COMPARATOR	1.00	EA		
4	S		1446 7245		1 999 0		DIODE-1N4448	2.00	EA		
5	S		2204 7005		1 999 0		DIODE-TYPE 1N755A	2.00	EA		
6	S		2300 5697		1 999 0		CAP. .01 MF	13.00	EA		
7	S		1907 8815		3 999 0		CAP 1.0UF 20V 50V	1.00	EA	ECN 62745	
8	S		1267 9106		1 999 0		CAP 4.7UF 10V	1.00	EA		
9	S		1111 8668		1 999 0		RES-511 1/4W 2X	1.00	EA		
10	S		1111 8734		1 999 0		RES. 1K 1/4W 2X	6.00	EA		
11	S		1111 8866		1 999 0		RES-3.48K 2X1/4 W	1.00	EA		
12	S		2157 6871		1 999 0		RES 4.02K 1/4W 1X	1.00	EA		
13	S		1111 8908		1 999 0		RES-5110 2X1/4W	4.00	EA		

162

PAGE 1

ASSEMBLY 2161 7923 ISSUE 5

ENGINEERING PARTS LIST REPORT

\*\*\* LAST CHANGE: 14 Jul, 1978

PRINTED: 14 Jul, 1978

PART/DOC TRAN NUMBER	DT	DESCRIPTION	DRN SIZE	DRN REV	ISSUE	UOM	CLASS CODE	DOC CODE	ECT	ECNO	DSGN CNTL
2161 7923	PL	PNBA-TEMP COMP	D	B	5	EA	2-7045-09G	2	ECN	10723	027

\*\*\*\*HEADER LINE CHANGES SINCE LAST ISSUE\*\*\*\*

A

TRAN ITEM	DT	DRN SIZE	PART/DOC NUMBER	DRN REV	ISSUE IN	DOC OUT CODE	DESCRIPTION	QUANTITY	UOM	ECT	ECNO
14	S		1111 8924		1 999 0		RES-6.19K 2X 1/4W	2.00	EA		
15	S		1111 8973		1 999 0		RES-10K 2X 1/4W	5.00	EA		
16	S		1111 9054		1 999 0		RES-21.5K 2X 1/4W	1.00	EA		
17	S		1111 9070		1 999 0		RES-26.1K 2X 1/4W	1.00	EA		
18	S		1111 9096		1 999 0		RES-31.6K 2X 1/4W	3.00	EA		
19	S		1111 9104		1 999 0		RES-34.6K 2X1/4W	3.00	EA		
20	S		1111 9112		1 999 0		RES 38.3K 2X1/4W	1.00	EA		
21	S		1111 9120		1 999 0		RES-42.2K 1/4W 2X	1.00	EA		
22	S		1111 9161		1 999 0		RES-61.9K 2X1/4W	4.00	EA		
23	S		1111 9211		1 999 0		RES-100K 1/4W 2X	4.00	EA		
24	S		1111 9286		1 999 0		RES-196K2X1/4W	4.00	EA		
25	B		2857 1636		4 999 0		SPACER-MOD	2.00	EA	ECN 10545	

163

PAGE 2

ASSEMBLY 2161 7923 ISSUE 5

ENGINEERING PARTS LIST REPORT

\*\*\* LAST CHANGE: 14 Jul, 1978

PRINTED: 14 Jul, 1978

PART/DOC TRAN NUMBER	DT	DESCRIPTION	DRN SIZE	DRN REV	ISSUE	UOM	CLASS CODE	DOC CODE	ECT	ECNO	DSGN CNTL
2161 7923	FL	PMBA-TEMP COMP	D	B	5	EA	2-7045-000	2	ECN	10723	027

\*\*\*\*\*HEADER LINE CHANGES SINCE LAST ISSUE\*\*\*\*\*

TRAN ITEM	DRN DT	PART/DOC SIZE NUMBER	DRN REV	ISSUE IN OUT	Q3C CODE	DESCRIPTION	QUANTITY	UOM	ECT	ECNO
26	A	1447 1734		3 999 0		POST-MOD 2	7.00	EA	ECN	62745
27	D	2161 7949	C	5 999 4		SCHEM-TEMP COMP	0.00	RF	ECN	10723
28	A	2162 1875		1 999 4		SPEC-PERF-TEMPCOMP	0.00	RF		
29	ST	1267 9031		3 999 0		CAP-1 UF 20X35V	2.00	EA	ECN	62745

\*\*\*\*\*ADDITIONS AND DELETES SINCE LAST ISSUE\*\*\*\*\*

C	27	D	2161 7949	B	2 4 4	SCHEM-TEMP COMP	0.00	RF	ECN	10723
---	----	---	-----------	---	-------	-----------------	------	----	-----	-------

\*\*\*\*\*LAST LINE\*\*\*\*\*

144

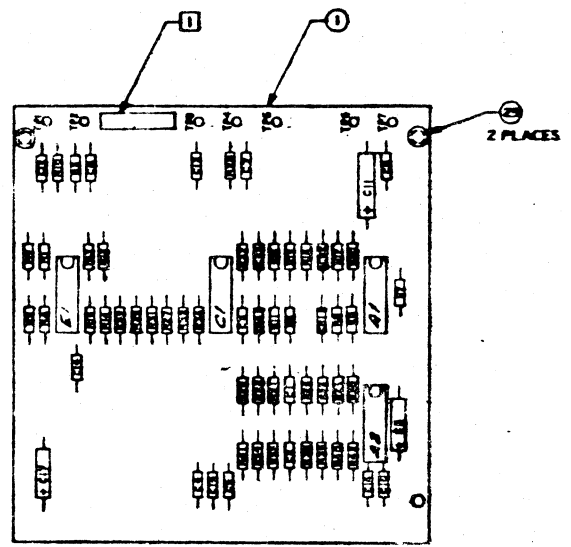
PAGE 3

ASSEMBLY 2161 7923 ISSUE 5

D 2261 7923 1 of 1  
Temp Temp Comp

REVISION			
REV	CONT	BY	QW APPD. DATE
A	REVISED	B. B. B.	12/20/54
B	REVISED	R. H.	12/21/54
IN REC. DESIGNATION - ST ADDED ITEM NO. CH, C17			

REF. DESIGNATION TABLE	
ITEM NO.	REF. DESIGNATION OR LOCATION
2	A2, C1, E1
3	A1
4	CR1, CR2
5	CR3, CR4
6	C1, C2, C3, C4, C5, C6, C7, C8
7	C9, C10, C11, C12, C13
8	C5
9	R37
10	R37, R38, R39, R40, R41
11	R37
12	R38
13	R39, R40, R41
14	R37, R38
15	R39, R40, R41, R42
16	R37
17	R38
18	R39, R40, R41
19	R37, R38, R39
20	R4
21	R4
22	R4
23	R4, R5, R6, R7, R8
24	R1, R2, R3, R4
25	R5, R6, R7, R8
26	R9, R10, R11, R12
27	R13, R14, R15
28	R16, R17, R18, R19
29	R20, R21, R22, R23
30	R24, R25, R26, R27
31	R28, R29



- SEE ITEM 20 ON P/L FOR PERFORMANCE SPEC.
  - SEE ITEM 27 ON P/L FOR SCHEMATIC.
- 1 MARK ASSEMBLY AND ISSUE LABEL APPROX WHERE SHOWN, IN -02 WITH GENERIC CHARACTERS USING BLACK STENCIL INK.

NOTES: UNLESS OTHERWISE SPECIFIED

**SEE P/L**

REV. 1 2261 7923 TEMP COMP		2261 7923 TEMP COMP	
2261 7923 TEMP COMP		2261 7923 TEMP COMP	
2261 7923 TEMP COMP		2261 7923 TEMP COMP	
2261 7923 TEMP COMP		2261 7923 TEMP COMP	



ENGINEERING PARTS LIST REPORT

\*\*\* LAST CHANGES 21 Jul, 1978

PRINTED: 21 Jul, 1978

TRAN	PART/DOC NUMBER	CT	DESCRIPTION	DRM SIZE	DRM REV	ISSUE	UOM	CLASS CODE	DOC CODE	ECT	ECNO	DSGN CATL
	2162 4127	PL	PNBA-PWR AMP MOD	D		C	7	EA	2-7045-000	2	ECN	10723 027

TRAN	ITEM	DRM DT	PART/DOC SIZE NUMBER	DRM REV	ISSUE IN	DOC OUT CODE	DESCRIPTION	QUANTITY	UOM	ECT	ECNO
	1	PL	D 2160 0788		1 999	2	PWB-POWER AMP MOD	1.00	EA		
	2		2160 5662		1 999	0	XSTR,NPN 2N4962	1.00	EA		
	3	S	1446 7153		1 999	0	TRANS,2N2222A	1.00	EA		
	4	S	1446 7187		1 999	0	TRANS,2N2907A	2.00	EA		
	5	S	2118 8297		1 999	0	IC LM339COMPARATOR	1.00	EA		
	6	S	1907 7726		1 999	0	PKG,OP ANPL 747	1.00	EA		
	7		1115 0687		1 999	0	RES,WH C.20HM 10W	1.00	EA		
	8	S	1111 8734		1 999	0	RES, 1K 1/4W 2X	5.00	EA		
	9	S	1111 8874		1 999	0	RES,303C 2X1/4W	1.00	EA		
	10	S	1111 8973		1 999	0	RES,10K 2X,1/4W	5.00	EA		
	11	S	1111 9047		1 999	0	RES,19.6K 2X 1/4W	5.00	EA		
	12		1111 9278		1 999	0	RES,178K 2X 1/4W	1.00	EA		
	13	S	1111 9237		1 999	0	RES-121K 2X1/4W	1.00	EA		
	14	S	1446 7245		1 999	0	DIODE,1N4448	3.00	EA		

ENGINEERING PARTS LIST REPORT

\*\*\* LAST CHANGES 21 Jul, 1978

PRINTED: 21 Jul, 1978

TRAN	PART/DOC NUMBER	CT	DESCRIPTION	DRM SIZE	DRM REV	ISSUE	UOM	CLASS CODE	DOC CODE	ECT	ECNO	DSGN CATL
	2162 4127	PL	PNBA-PWR APP MOD	D		C	7	EA	2-7045-000	2	ECN	10723 027

TRAN	ITEM	DRM DT	PART/DOC SIZE NUMBER	DRM REV	ISSUE IN	DOC OUT CODE	DESCRIPTION	QUANTITY	UOM	ECT	ECNO
	15	S	1269 5342		1 999	0	CAP CER 100PF	2.00	EA		
	16	S	2300 5879		1 999	0	CAP 0.1 UF 50V	4.00	EA		
	17	ST	1267 9031		1 999	0	CAP-1 UF 20X35V	1.00	EA		
	18		1104 5614		1 999	0	CAP,25UF 50V TANT	2.00	EA		
	19		2161 2858		1 999	0	HEADER P.C.8D-3PIN	1.00	EA		
	20		1944 3324		1 999	0	CONN,20 CONTACT	1.00	EA		
	21	PL	A 2857 2782		6 999	C	ASSY, CONN 24 PIN	1.00	EA	ECN	10716
	22									ECN	10629
	23									ECN	10716
	28	A	1447 1734		1 999	0	POST-MOD 2	2.00	EA		
	29		2857 1883	A	2 999	3	SPEC,PERF-PWR AMP	0.00	RF	ECN	10560
	30	D	2162 4150	B	7 999	4	SCHER PWR AMP MOD	0.00	RF	ECN	10723
	31	S	1111 8429		1 999	0	RES,51.1 2X 1/4W	1.00	EA		
	32	S	1900 8835		1 999	0	CAP-.056UF 10% 50V	1.00	EA	ECN	10629

ENGINEERING PARTS LIST REPORT

\*\*\* LAST CHANGE: 21 Jul, 1978

PRINTED: 21 Jul, 1978

TRAN	PART/DOC NUMBER	DT	DESCRIPTION	DRW SIZE	DRW REV	ISSUE	UOM	CLASS CODE	DOC CODE	ECT	ECNO	DSGN CNTL
	2162 4127	PL	PWBA-PWR APP MOD	D	C	7	EA	2-7045-000	2	ECN	10723	027

TRAN	ITEM	DT	DRW SIZE	PART/DOC NUMBER	DRW REV	ISSUE IN	DOC OUT CODE	DESCRIPTION	QUANTITY	UOM	ECT	ECNO
------	------	----	-------------	--------------------	------------	-------------	--------------------	-------------	----------	-----	-----	------

\*\*\*\*\*ADDITIONS AND DELETES SINCE LAST ISSUE\*\*\*\*\*

C	30	D		2162 4150	A	1	6 4	SCHEM-PWR AMP MOD	0.00	RF	ECN	10723
---	----	---	--	-----------	---	---	-----	-------------------	------	----	-----	-------

\*\*\*\*\* LAST LINE \*\*\*\*\*



ENGINEERING PARTS LIST REPORT

LIST CHANGE#14 Jul, 1978

PRINTED: 14 Jul, 1978

PART/DOC TRAN NUMBER	DT	DESCRIPTION	DRW SIZE	DRW REV	ISSUE	UOM	CLASS CODE	DOC CODE	ECT	ECNC	DSGN CNTR
2162 7013	FL	PWBA-VOLTAGE REG	D	B	6	EA	2-7045-000	2	ECN	10723	027

TRAN ITEM	DT	DRW SIZE	PART/DOC NUMBER	DRW REV	ISSUE IN	DOC OLT CODE	DESCRIPTION	QUANTITY	UOM	ECT	ECNC
1	PL	D	2162 7021		1 999	2	PWB-VOLTAGE REG	1.00	EA		
2		A	1270 8426		2 999	0	REGULATOR-LAS1815	1.00	EA	ECN	10429
3		A	1270 8434		2 999	0	REGULATOR-LAS1515	1.00	EA	ECN	10429
4		A	2857 1891		4 999	0	HYBRID REG	1.00	EA	ECN	10544
5		A	2028 8130		1 999	0	XSTR 2N5786	1.00	EA		
6		S	1080 5364		1 999	0	ISTR,TYPE 2N3055	1.00	EA		
7		A	1270 8418		1 999	0	CVP L12-0V-5	2.00	EA		
8		S	2041 8034		1 999	0	HEATSINK	2.00	EA		
9		A	2028 8122		1 999	0	HEATSINK XSTR	1.00	EA		
10			2012 5928		1 999	0	CAP-50UF	2.00	EA		
11			1267 9114		1 999	0	CAP,4.7UF .35V	2.00	EA		
12		S	1267 9106		1 999	0	CAP 4.7UF 10V	1.00	EA		
13			1102 6309		1 999	0	WASHER-	4.00	EA		
14	S	A	1720 8950		1 999	0	CAP,1000 F,1CV	1.00	EA		

PAGE 1 ASSEMBLY 2162 7013 ISSUE 6  
170

ENGINEERING PARTS LIST REPORT

LIST CHANGE#14 Jul, 1978

PRINTED: 14 Jul, 1978

PART/DOC TRAN NUMBER	DT	DESCRIPTION	DRW SIZE	DRW REV	ISSUE	UOM	CLASS CODE	DOC CODE	ECT	ECNC	DSGN CNTR
2162 7013	FL	PWBA-VOLTAGE REG	D	B	6	EA	2-7045-000	2	ECN	10723	027

TRAN ITEM	DT	DRW SIZE	PART/DOC NUMBER	DRW REV	ISSUE IN	DOC OLT CODE	DESCRIPTION	QUANTITY	UOM	ECT	ECNC
15	S		1117 7896		1 999	C	RES,4020HM 30 3K	1.00	EA		
16		S	1103 8767		1 999	0	SPACER,S/E FLAIN	4.00	EA		
17		ST	1265 7912		1 999	0	RES,2.9 1K 5%	1.00	EA		
18		S	220C 1556		1 999	0	RECT 1N4715	4.00	EA		
19		S	1111 8454		1 999	0	RES,100 1/4W 2%	1.00	EA		
20		S	192C 5509		1 999	0	INSULATOR	4.00	EA		
21			1877 4273		1 999	0	POT,2K	1.00	EA		
22		S	2160 3717		1 999	0	TERMINAL CONTACT	5.00	EA		
23	S	A	2028 7389		1 999	0	FAST-ON-.110 FMLE	4.00	EA		
24		B	2162 2998		1 999	0	BRACKET-MT SMK	1.00	EA		
25		A	2028 8080		1 999	0	HEATSINK HP3	2.00	EA		
26		A	2028 8098		1 999	0	HEATSINK HP1	2.00	EA		
27	S	A	1951 637E		1 999	0	CONN HEADER 15 CKT	2.00	EA		
28	PL	A	2857 2782		5 999	C	ASSY, CONN 24 PIN	1.00	EA	ECN	10716

PAGE 2 ASSEMBLY 2162 7013 ISSUE 6  
171

ENGINEERING PARTS LIST REPORT

LAST CHANGE: 14 Jul, 1978

PRINTED: 14 Jul, 1978

PART/DCC		CT	DESCRIPTION	DRW		ISSUE	UOM	CLASS CODE	DOC		ECN	ECNL
TRAN NUMBER	SIZE			DRW REV	SIZE				CODE	CODE		
2162	7013	FL	PWA-VOLTAGE REG	D	B	6	EA	2-7045-000	2	ECN	10723	027

TRAN ITEM	DT	DRW	FART/DCC	DRW	ISSUE	DOC	DESCRIPTION	QUANTITY	UOM	ECT	ECAC
		SIZE	NUMBER	REV	IN	OUT					
29											ECN 10716
30	S	A	2028 6316		1	999 0	SCR,6-32X3/8 SEM	7.00	EA		
31		ST	1256 8010		1	999 0	WASHER, #6 PLAIN	8.00	EA		
32		ST	1256 7442		1	999 0	LOCKWASHER, #6	4.00	EA		
33		ST	1256 5248		1	999 0	NUT,6-32 HEX	2.00	EA		
34		D	2161 9572	E	6	999 4	SCHEM-VOLTAGE REG	0.00	RF	ECN 10723	
35		A	2162 2386		1	999 4	SPS-VOLTAGE REG	0.00	RF		
36		S	2306 8760		1	999 0	INSULATOR,MICA	4.00	EA		
37		ST	1256 0371		1	999 0	SCREW,4-CC X 1/2	8.00	EA		
38		ST	1256 7707		1	999 0	WASHER,#4 IT LOCK	8.00	EA		
39		ST	1256 7996		1	999 0	WASHER,FLAT #4	8.00	EA		
40		ST	1256 5206		1	999 0	NUT,4-40 HEX	8.00	EA		
41		ST	1256 0942		3	999 0	SCR,#6-32X1 1/8 PH	4.00	EA	ECN 10456	
42		S	2158 0568		1	999 0	GREASE THERMAL	0.00	AR		

PAGE 3

ASSEMBLY 2162 7013 ISSUE 6  
/72.

ENGINEERING PARTS LIST REPORT

LAST CHANGE: 14 Jul, 1978

PRINTED: 14 Jul, 1978

PART/DCC		CT	DESCRIPTION	DRW		ISSUE	UOM	CLASS CODE	DOC		ECN	ECNL
TRAN NUMBER	SIZE			DRW REV	SIZE				CODE	CODE		
2162	7013	FL	PWA-VOLTAGE REG	D	B	6	EA	2-7045-000	2	ECN	10723	027

TRAN ITEM	DT	DRW	FART/DCC	DRW	ISSUE	DOC	DESCRIPTION	QUANTITY	UOM	ECT	ECAC
		SIZE	NUMBER	REV	IN	OUT					
43	S	A	1269 7124		1	999 7	IO 5-2VR	1.00	EA		

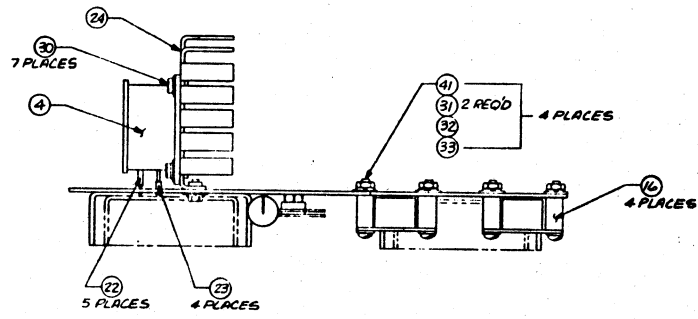
\*\*\*\*\*ADDITIONS AND DELETES SINCE LAST ISSUE\*\*\*\*\*

C	34	D	2161 9572	D	1	5 4	SCHEM-VOLTAGE REG.	0.00	RF	ECN 10723	
---	----	---	-----------	---	---	-----	--------------------	------	----	-----------	--

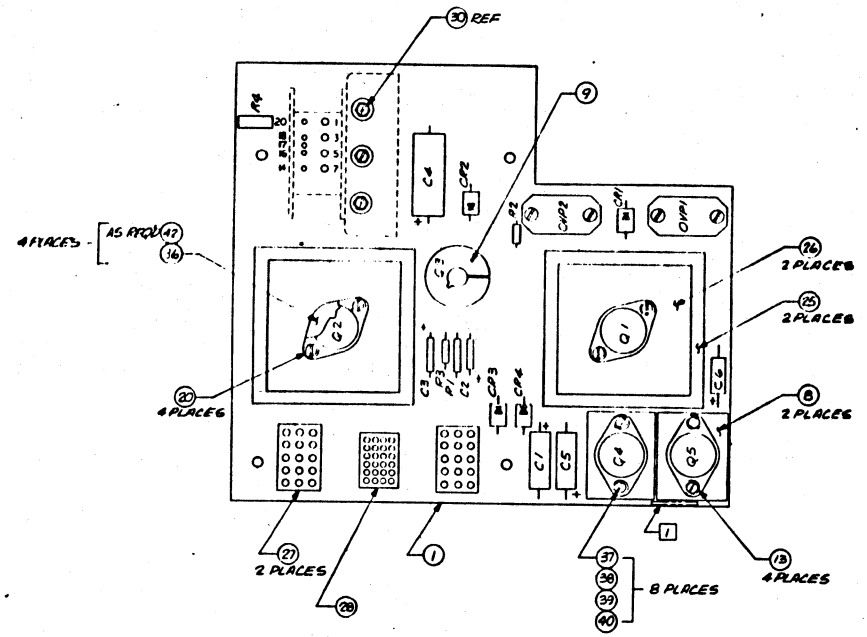
..... LAST LINE .....

D 2162 7013 B 1001  
 PWR. VOLTAGE REGULATOR

REV.	CONT.	BY	CHKD.	APPRO.	DATE
A	ENHANCEMENT	...	...	...	11/13/52
B	INITIAL ISSUE	...	...	...	...
6/A	...	...	...	...	...



REF DESIGNATION TABLE	
ITEM NO.	REF DESIGNATION OR LOCATION
2	Q4
3	Q5
5	Q3
6	Q1
7	CVP1, DVP2
10	C1, C5
11	C3, C6
12	C2
14	C4
15	R1
17	R3
18	CR1, CR2, CR3, CR4
19	R2
21	R4
43	Q2



- 3. SEE ITEM NO. 35 ON P/L FOR PERFORMANCE SPEC.
- 2. SEE ITEM NO. 34 ON P/L FOR SCHEMATIC.
- 1. MARK ASSY NO AND ISSUE LEVEL APPROX WHERE SHOWN USING .12 HIGH GOTHIC, BLACK STENCIL INK CHARACTERS.

NOTES: UNLESS OTHERWISE SPECIFIED  
 SEE P/L

DIN 9139 SPEC. 1185 0045 APPLY		DATE	
TOLERANCES UNLESS OTHERWISE SPECIFIED		11-13-52	
GENERAL	ANGLES	Burrhoughs Corporation	
SURFACE TREATMENT		MILITARY PLANT	
SURFACE TREATMENT		MILITARY POLICE CALL STATION	
SCALE		1:1	
TITLE		PWR. VOLTAGE REGULATOR	
PART NO.		D 2162 7013 B	

**ENGINEERING PARTS LIST REPORT**

\*\*\* LAST CHANGE: 7 Dec, 1978

PRINTED: 7 Dec, 1978

PART/DOC TRAN NUMBER	DT	DESCRIPTION	DRN SIZE	DRN REV	ISSUE	UOM	CLASS CODE	DOC CODE	ECT	ECNO	DSGN CNTL
2857 3061	PL	PWBA-I/O MOD S.S.	D	A	1	EA	2-7045-000	2	ECN	10761	027

TRAN ITEM	DT	DRN SIZE	PART/DOC NUMBER	DRN REV	ISSUE IN	DOC OUT CODE	DESCRIPTION	QUANTITY	UOM	ECT	ECNO
1	PL	D	2857 2535		1	999 2	PWB-I/O MOD	1.00	EA		
2	S	S	1951 6350		1	999 0	HEADER 9 POSITION	1.00	EA		
3	S	S	2160 2586		1	999 0	CONN 50 PIN RT ANGL	2.00	EA		
4	S	S	2857 2618		1	999 0	CONN RT ANGLE 60 POS	1.00	EA		
5	ST	ST	1447 3524		1	999 0	IC, 4-2IN AND 7408	2.00	EA		
6	ST	ST	1447 3532		1	999 0	IC,HEX INV 7404	1.00	EA		
7	A	A	1447 3581		1	999 0	IC, DC NAND 7438	1.00	EA		
8	ST	ST	2602 3291		1	999 0	IC, 74LS157	1.00	EA		
9			1449 1039		1	999 0	IC, 8 PIN S TIMER 555	1.00	EA		
10	A	A	1449 1260		1	999 0	HEX D FL-FLP 74174	4.00	EA		
11	A	A	1674 4963		1	999 0	IC DC HEX INV 7406	3.00	EA		
12	S	S	2158 6235		1	999 0	IC-2- MULTI 74123	1.00	EA		
13			2600 1495		1	999 0	HEX INV 74S04	5.00	EA		
14	S	A	2607 1845		1	999 0	IC 74LS112	1.00	EA		

PAGE 1 ASSEMBLY 2857 3061 ISSUE 1 176

**ENGINEERING PARTS LIST REPORT**

\*\*\* LAST CHANGE: 7 Dec, 1978

PRINTED: 7 Dec, 1978

PART/DOC TRAN NUMBER	DT	DESCRIPTION	DRN SIZE	DRN REV	ISSUE	UOM	CLASS CODE	DOC CODE	ECT	ECNO	DSGN CNTL
2857 3061	PL	PWBA-I/O MOD S.S.	D	A	1	EA	2-7045-000	2	ECN	10761	027

TRAN ITEM	DT	DRN SIZE	PART/DOC NUMBER	DRN REV	ISSUE IN	DOC OUT CODE	DESCRIPTION	QUANTITY	UOM	ECT	ECNO
15	S	A	2608 2073		1	999 0	IC, 74LS157	3.00	EA		
16	S	S	1446 7153		1	999 0	TRANS 2N2222A	3.00	EA		
17			1472 8349		1	999 0	2N930 TSTR NPN	1.00	EA		
18	S	S	2300 5697		1	999 0	CAP 0.01 MF	1.00	EA		
19			1876 9893		1	999 0	CAP 0.1UF 50V	18.00	EA		
20	S	S	1267 9072		1	999 0	CAP 2.2UF 35V	1.00	EA		
21	S	S	1267 9106		1	999 0	CAP 4.7UF 10V	1.00	EA		
22			1267 9148		1	999 0	CAP 6.8UF	1.00	EA		
23	S	S	1111 8734		1	999 0	RES, 1K 1/4W 2%	11.00	EA		
24	S	S	1111 9112		1	999 0	RES, 39.3K 2% 1/4W	1.00	EA		
25	S	S	1111 9211		1	999 0	RES,100K 1/4W 2%	1.00	EA		
26	S	S	1111 9286		1	999 0	RES,196K 2% 1/4W	1.00	EA		
27	S	S	1265 6658		1	999 0	RES,510K 5% 1/4W	1.00	EA		
28	D	D	2857 2626	B	1	999 4	SCHEM-I/O MOD	0.00	RF		

PAGE 2 ASSEMBLY 2857 3061 ISSUE 1 176

ENGINEERING PARTS LIST REPORT

LAST CHANGE: 7 Dec, 1978

PRINTED: 7 Dec, 1978

PART/DOC TRAN NUMBER	DT	DESCRIPTION	DRW SIZE	DRW REV	ISSUE	UDM	CLASS CODE	DOC CODE	ECT	ECND	DSGN CNTL
2857 3061	FL	PWBA-I/O MOD S.S.	D	A	1	EA	2-7045-000	2	ECN	10761	027

TRAN ITEM	DT	DRW SIZE	PART/DOC NUMBER	DRW REV	ISSUE IN	ISSUE OUT	DOC CODE	DESCRIPTION	QUANTITY	UDM	ECT	ECND
29	A		2857 2659	B	1	999 4		SPS-I/O MOD	0.00	RF		
30			2159 2779		1	999 0		RES, NETWORK	4.00	EA		
31			2159 5681		1	999 0		RETAINER FEMALE	4.00	EA		
32	ST		1256 0355		1	999 0		SCREW 4-40x3/8 PH	4.00	EA		
33	S		1103 4386		1	999 0		WASHER FLAT NYLON	4.00	EA		
34	ST		1256 7426		1	999 0		WASHER LOCK #4	4.00	EA		
35	S A		1256 5206		1	999 0		NUT HEX 4-40	4.00	EA		
36	ST		2606 9765		1	999 0		N.BUFF QUAD 2IN74S37	1.00	EA		
37	S		2200 8965		1	999 0		WIRE SOLID INSULAT	0.50	FT		
38	C		1447 4308		1	999 0		BUS BAR P.C. (ASSY)	3.00	EA		
39			2857 2642		1	999 0		I/O CLK T.P. ASSY	1.00	EA		
40			1447 9596		1	999 0		QUAD 2IN NAND BFR 7437	1.00	EA		

PAGE 3

ASSEMBLY 2857 3061 ISSUE 1

177

ENGINEERING PARTS LIST REPORT

LAST CHANGE: 7 Dec, 1978

PRINTED: 7 Dec, 1978

PART/DOC TRAN NUMBER	DT	DESCRIPTION	DRW SIZE	DRW REV	ISSUE	UDM	CLASS CODE	DOC CODE	ECT	ECND	DSGN CNTL
2857 3061	FL	PWBA-I/O MOD S.S.	D	A	1	EA	2-7045-000	2	ECN	10761	027

TRAN ITEM	DT	DRW SIZE	PART/DOC NUMBER	DRW REV	ISSUE IN	ISSUE OUT	DOC CODE	DESCRIPTION	QUANTITY	UDM	ECT	ECND
-----------	----	----------	-----------------	---------	----------	-----------	----------	-------------	----------	-----	-----	------

\*\*\*\*\* ADDITIONS AND DELETES SINCE LAST ISSUE \*\*\*\*\*

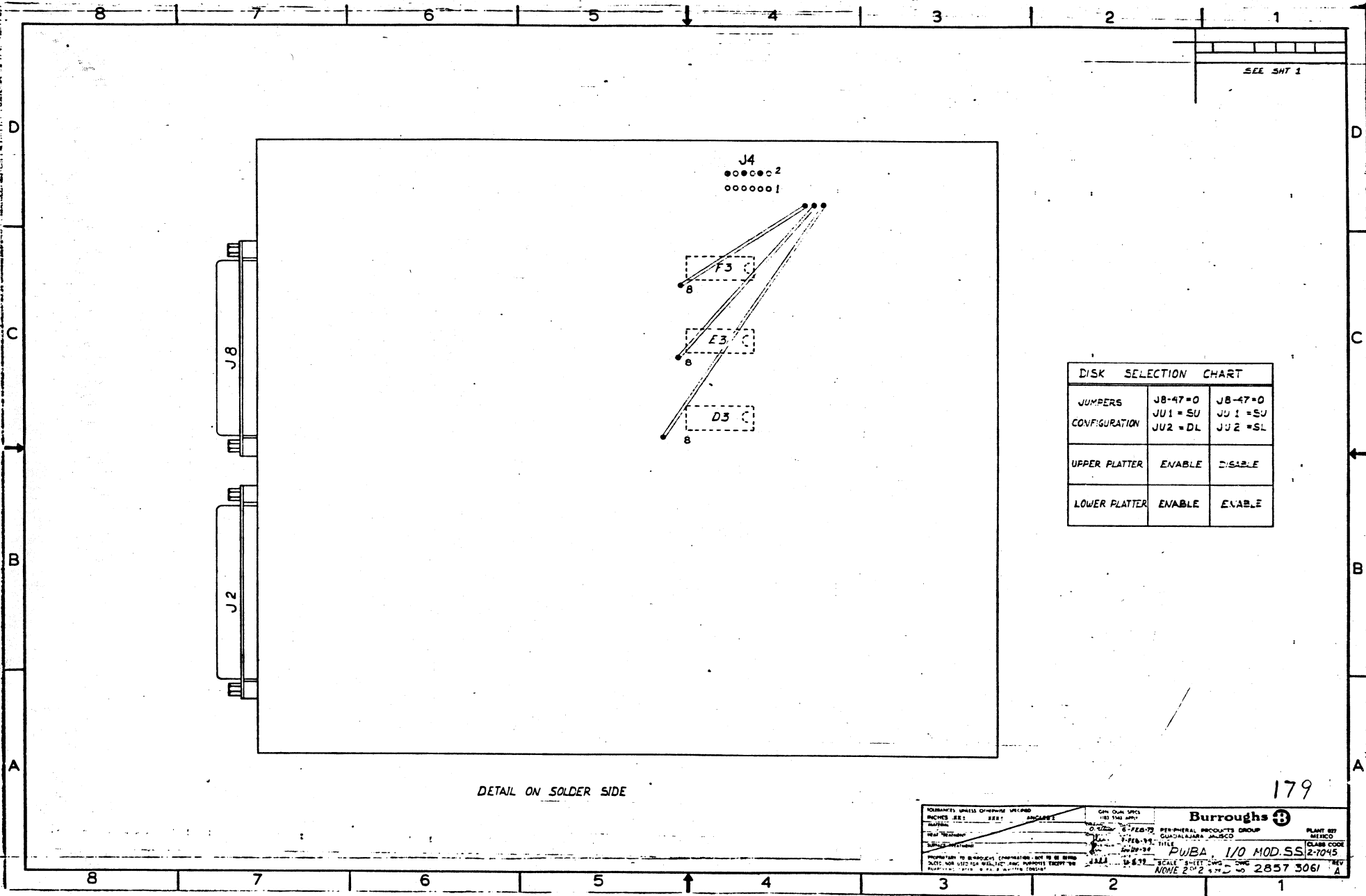
\*\*\*\*\* LAST LINE \*\*\*\*\*

PAGE 4

ASSEMBLY 2857 3061 ISSUE 1

178





SEE SH1 1

DISK SELECTION CHART

JUMPERS	J8-47=0	J8-47=0
CONFIGURATION	JU1 = SU JU2 = DL	JU1 = SU JU2 = SL
UPPER PLATTER	ENABLE	DISABLE
LOWER PLATTER	ENABLE	ENABLE

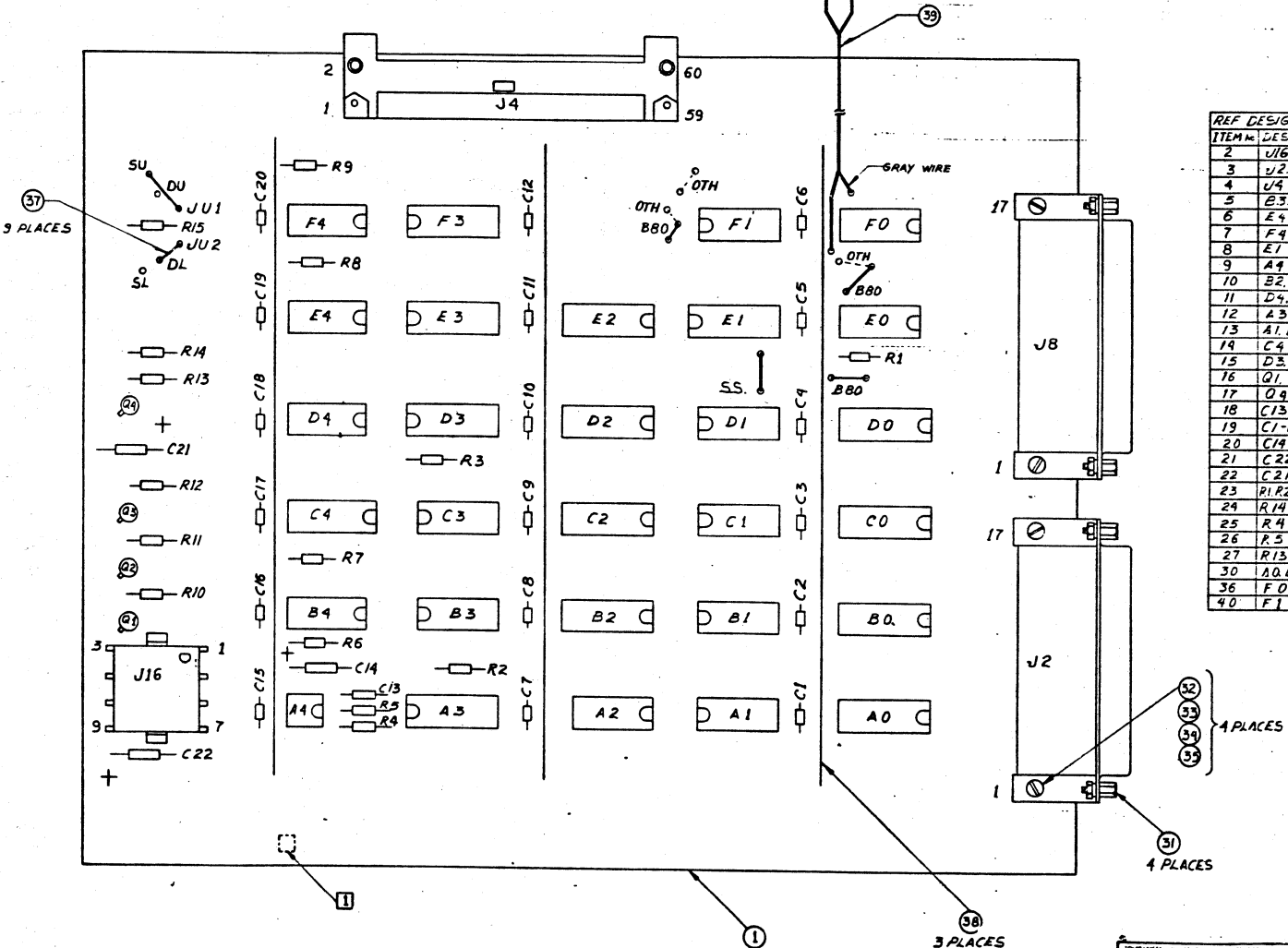
DETAIL ON SOLDER SIDE

179

Burrheads UNLESS OTHERWISE SPECIFIED		DIM. DIM. UNITS		Burrheads 3	
INCHES: 1/8"	FEET:	1/16"	1/32"	PERIPHERAL PRODUCTS GROUP	PLANT 007
MATERIAL:		DATE: 1-28-72	QUADAJARA, JALISCO	MEXICO	
DRAWN BY:		DATE: 1-18-72	DWBA 1/0 MOD. SS		CLASS CODE
CHECKED BY:		DATE: 1-28-72	SCALE: SHEET 2 OF 2		REV
APPROVED BY:		DATE: 1-28-72	NONE 2 OF 2		NO 2857 3061 A

REVISION				
REV	CONT	DR	CHK	APPR DATE
A	ECN10761	OV	W	JAP 11-8-58
INITIAL RELEASE				

ITEM NO.	DESIGNATION & LOC.
2	V16
3	V2, J8
4	J4
5	B3, C3
6	E4
7	F4
8	E1
9	A4
10	B2, C2, D2, E2
11	D4, E0, B4
12	A3
13	A1, B1, C1, D1, A2
14	C4
15	D3, E3, F3
16	Q1, Q2, Q3
17	Q4
18	C13
19	C1-C12, C15-C20
20	C14
21	C22
22	C21
23	R1, R2, R3, R6-THRU R12, R15
24	R14
25	R4
26	R5
27	R13
30	A0, B0, C0, D0
36	F0
40	F1



3- SEE ITEM 29 ON P/L FOR PERFORMANCE SPEC  
 2- SEE ITEM 28 ON P/L FOR SCHEMATIC.  
 [ ] MARK ASSY NO AND ISSUE LEVEL APPROX WHERE SHOWN, IN .12 HIGH GOTHIC CHARACTERS USING BLACK STENCIL INK.  
 NOTES: UNLESS OTHERWISE SPECIFIED

TOLERANCES UNLESS OTHERWISE SPECIFIED:		DIMENSIONS IN INCHES UNLESS OTHERWISE SPECIFIED	
FRACTIONS	DECIMALS	INCHES	MILLIMETERS
1/16	0.0625	1/8	3.175
1/32	0.03125	3/16	4.7625
1/64	0.015625	1/4	6.35
3/128	0.0234375	5/16	7.9375
1/64	0.015625	3/8	9.525
1/32	0.03125	1/2	12.7
3/64	0.046875	5/8	15.875
1/16	0.0625	3/4	19.05
3/32	0.09375	7/8	21.625
1/8	0.125	1	25.4
5/64	0.078125	1 1/8	30.175
3/32	0.09375	1 1/4	33.325
1/16	0.0625	1 3/8	36.475
3/64	0.046875	1 1/2	38.1
1/32	0.03125	1 5/8	41.25
3/64	0.046875	1 3/4	44.425
1/16	0.0625	1 7/8	47.625
3/32	0.09375	2	50.8
1/8	0.125	2 1/8	54.0
3/32	0.09375	2 1/4	57.15
1/16	0.0625	2 3/8	60.325
3/64	0.046875	2 1/2	63.5
1/32	0.03125	2 5/8	66.675
3/64	0.046875	2 3/4	69.85
1/16	0.0625	2 7/8	73.025
3/32	0.09375	3	76.2
1/8	0.125	3 1/8	79.375
3/32	0.09375	3 1/4	82.55
1/16	0.0625	3 3/8	85.725
3/64	0.046875	3 1/2	88.9
1/32	0.03125	3 5/8	92.075
3/64	0.046875	3 3/4	95.25
1/16	0.0625	3 7/8	98.425
3/32	0.09375	4	101.6
1/8	0.125	4 1/8	104.775
3/32	0.09375	4 1/4	107.95
1/16	0.0625	4 3/8	111.125
3/64	0.046875	4 1/2	114.3
1/32	0.03125	4 5/8	117.475
3/64	0.046875	4 3/4	120.65
1/16	0.0625	4 7/8	123.825
3/32	0.09375	5	127.0
1/8	0.125	5 1/8	130.175
3/32	0.09375	5 1/4	133.35
1/16	0.0625	5 3/8	136.525
3/64	0.046875	5 1/2	139.7
1/32	0.03125	5 5/8	142.875
3/64	0.046875	5 3/4	146.05
1/16	0.0625	5 7/8	149.225
3/32	0.09375	6	152.4
1/8	0.125	6 1/8	155.575
3/32	0.09375	6 1/4	158.75
1/16	0.0625	6 3/8	161.925
3/64	0.046875	6 1/2	165.1
1/32	0.03125	6 5/8	168.275
3/64	0.046875	6 3/4	171.45
1/16	0.0625	6 7/8	174.625
3/32	0.09375	7	177.8
1/8	0.125	7 1/8	180.975
3/32	0.09375	7 1/4	184.15
1/16	0.0625	7 3/8	187.325
3/64	0.046875	7 1/2	190.5
1/32	0.03125	7 5/8	193.675
3/64	0.046875	7 3/4	196.85
1/16	0.0625	7 7/8	199.925
3/32	0.09375	8	203.1
1/8	0.125	8 1/8	206.275
3/32	0.09375	8 1/4	209.45
1/16	0.0625	8 3/8	212.625
3/64	0.046875	8 1/2	215.8
1/32	0.03125	8 5/8	218.975
3/64	0.046875	8 3/4	222.15
1/16	0.0625	8 7/8	225.325
3/32	0.09375	9	228.5
1/8	0.125	9 1/8	231.675
3/32	0.09375	9 1/4	234.85
1/16	0.0625	9 3/8	238.025
3/64	0.046875	9 1/2	241.2
1/32	0.03125	9 5/8	244.375
3/64	0.046875	9 3/4	247.55
1/16	0.0625	9 7/8	250.725
3/32	0.09375	10	253.9

180+

**ENGINEERING PARTS LIST REPORT**

\*\*\* LAST CHANGE: 7 Dec, 1978

PRINTED: 7 Dec, 1978

PART/DOC TRAN NUMBER	DT	DESCRIPTION	DRN SIZE	DRN REV	ISSUE	UOM	CLASS CODE	DOC CODE	ECT	ECNO	OSGN CNTL
2857 2634	PL	PWBA-I/O MOD D.S.	D	B	2	EA	2-7045-000	2	ECN	10761	027

TRAN ITEM	DT	DRN SIZE	PART/DOC NUMBER	DRN REV	ISSUE IN	DOC OUT CODE	DESCRIPTION	QUANTITY	UOM	ECT	ECNO
1	PL	D	2857 2535		2	999 2	PWB-I/O MOD	1.00	EA	ECN	10761
2	S		1951 6350		1	999 0	HEADER 9 POSITION	1.00	EA		
3	S		2160 2586		1	999 0	CONN 50 PIN RT ANGL	2.00	EA		
4	S		2857 2618		1	999 0	CONN RT ANGLE 60 POS	1.00	EA		
5	ST		1447 3524		1	999 0	IC, 4-2IN AND 7408	2.00	EA		
6	ST		1447 3532		1	999 0	IC, HEX INV 7404	1.00	EA		
7	A		1447 3581		1	999 0	IC, DC NAND 7438	1.00	EA		
8	ST		2602 3291		1	999 0	IC, 74LS157	1.00	EA		
9			1449 1039		1	999 0	IC, 8 PIN S TIMER 555	1.00	EA		
10	A		1449 1260		1	999 0	HEX D FL-FLP 74174	4.00	EA		
11	A		1674 4963		1	999 0	IC DC HEX INV 7406	3.00	EA		
12	S		2158 6235		1	999 0	IC-2- MULTI 74123	1.00	EA		
13			2600 1495		1	999 0	HEX INV 74S04	5.00	EA		
14	S	A	2607 1845		1	999 0	IC 74LS112	1.00	EA		

PAGE 1

ASSEMBLY 2857 2634 ISSUE 2

181

**ENGINEERING PARTS LIST REPORT**

\*\*\* LAST CHANGE: 7 Dec, 1978

PRINTED: 7 Dec, 1978

PART/DOC TRAN NUMBER	DT	DESCRIPTION	DRN SIZE	DRN REV	ISSUE	UOM	CLASS CODE	DOC CODE	ECT	ECNO	OSGN CNTL
2857 2634	PL	PWBA-I/O MOD D.S.	D	B	2	EA	2-7045-000	2	ECN	10761	027

TRAN ITEM	DT	DRN SIZE	PART/DOC NUMBER	DRN REV	ISSUE IN	DOC OUT CODE	DESCRIPTION	QUANTITY	UOM	ECT	ECNO
15	S	A	2608 2073		1	999 0	IC, 74LS157	3.00	EA		
16	S		1446 7153		1	999 0	TRANS 2N2222A	3.00	EA		
17			1472 8349		1	999 0	2N930 TSTR NPN	1.00	EA		
18	S		2300 5697		1	999 0	CAP 0.01 MF	1.00	EA		
19			1876 9893		1	999 0	CAP 0.1UF 50V.	18.00	EA		
20	S		1267 9072		1	999 0	CAP 2.2UF 35V	1.00	EA		
21	S		1267 9106		1	999 0	CAP 4.7UF 10V	1.00	EA		
22			1267 9148		1	999 0	CAP 6.8UF	1.00	EA		
23	S		1111 8734		1	999 0	RES, 1K 1/4W 2%	11.00	EA		
24	S		1111 9112		1	999 0	RES, 38.3K 2% 1/4W	1.00	EA		
25	S		1111 9211		1	999 0	RES, 100K 1/4W 2%	1.00	EA		
26	S		1111 9286		1	999 0	RES, 196K 2% 1/4W	1.00	EA		
27	S		1265 6658		1	999 0	RES, 510K 5% 1/4W	1.00	EA		
28	D		2857 2626	B	2	999 4	SCHEM-I/O MOD	0.00	RF	ECN	10761

PAGE 2

ASSEMBLY 2857 2634 ISSUE 2

182

ENGINEERING PARTS LIST REPORT

\*\*\* LAST CHANGE: 7 Dec, 1978

PRINTED: 7 Dec, 1978

TRAN	PART/DOC NUMBER	DT	DESCRIPTION	DRW SIZE	DRW REV	ISSUE	UOM	CLASS CODE	DOC CODE	ECT	ECNO	DSGN CNTL
	2857 2634	FL	PWBA-I/O MOD D.S.	D	B	2	EA	2-7045-000	2	ECN	10761	027

TRAN	ITEM	DRW DT	PART/DOC SIZE NUMBER	CFM REV	ISSUE IN	DOC OUT CODE	DESCRIPTION	QUANTITY	UOM	ECT	ECNO
	29	A	2857 2659	B	2	999 4	SPS-I/O MOD D.S.	0.00	RF	ECN	10761
	30		2159 2779		1	999 0	RES, NETWORK	4.00	EA		
	31		2159 5681		1	999 0	RETAINER FEMALE	4.00	EA		
	32	ST	1256 0355		1	999 0	SCREW 4-40X3/8 PH	4.00	EA		
	33	S	1103 4386		1	999 0	WASHER FLAT NYLON	4.00	EA		
	34	ST	1256 7426		1	999 0	WASHER LOCK #4	4.00	EA		
	35	S A	1256 5206		1	999 0	NUT HEX 4-40	4.00	EA		
	36	ST	2606 9765		1	999 0	N.BUFF QUAD 2IN74537	1.00	EA		
	37	S	2200 8965			999 0	WIRE SOLID INSULAT	2.00	FT	ECN	10761
	38	C	1447 4308		1	999 0	BUS BAR P.C. (ASSY)	3.00	EA		
	39		2857 2642		1	999 0	I/O CLK T.P. ASSY	1.00	EA		
	40		1447 9596		1	999 0	QUAD 2IN NAND BFR.7437	1.00	EA		

PAGE 3

ASSEMBLY 2857 2634 ISSUE 2

/83

ENGINEERING PARTS LIST REPORT

\*\*\* LAST CHANGE: 7 Dec, 1978

PRINTED: 7 Dec, 1978

TRAN	PART/DOC NUMBER	DT	DESCRIPTION	DRW SIZE	DRW REV	ISSUE	UOM	CLASS CODE	DOC CODE	ECT	ECNO	DSGN CNTL
	2857 2634	FL	PWBA-I/O MOD D.S.	D	B	2	EA	2-7045-000	2	ECN	10761	027

TRAN	ITEM	DRW DT	PART/DOC SIZE NUMBER	DRW REV	ISSUE IN	DOC OUT CODE	DESCRIPTION	QUANTITY	UOM	ECT	ECNO
------	------	-----------	-------------------------	---------	-------------	--------------------	-------------	----------	-----	-----	------

\*\*\*\*\* ADDITIONS AND DELETES SINCE LAST ISSUE \*\*\*\*\*

C	1	PL	D	2857 2535		1 1 2	PWB-I/O MOD DS	1.00	EA		
C	29		A	2857 2659	A	1 1 4	SPS-I/O MOD D.S.	0.00	RF		
C	37		S	2200 8965		1 1 0	WIRE SOLID INSULAT	0.50	FT		
D	41	S		1941 2055		1 1 0	WIRE, 22 AWG INS	1.50	FT		

\*\*\*\*\* LAST LINE \*\*\*\*\*

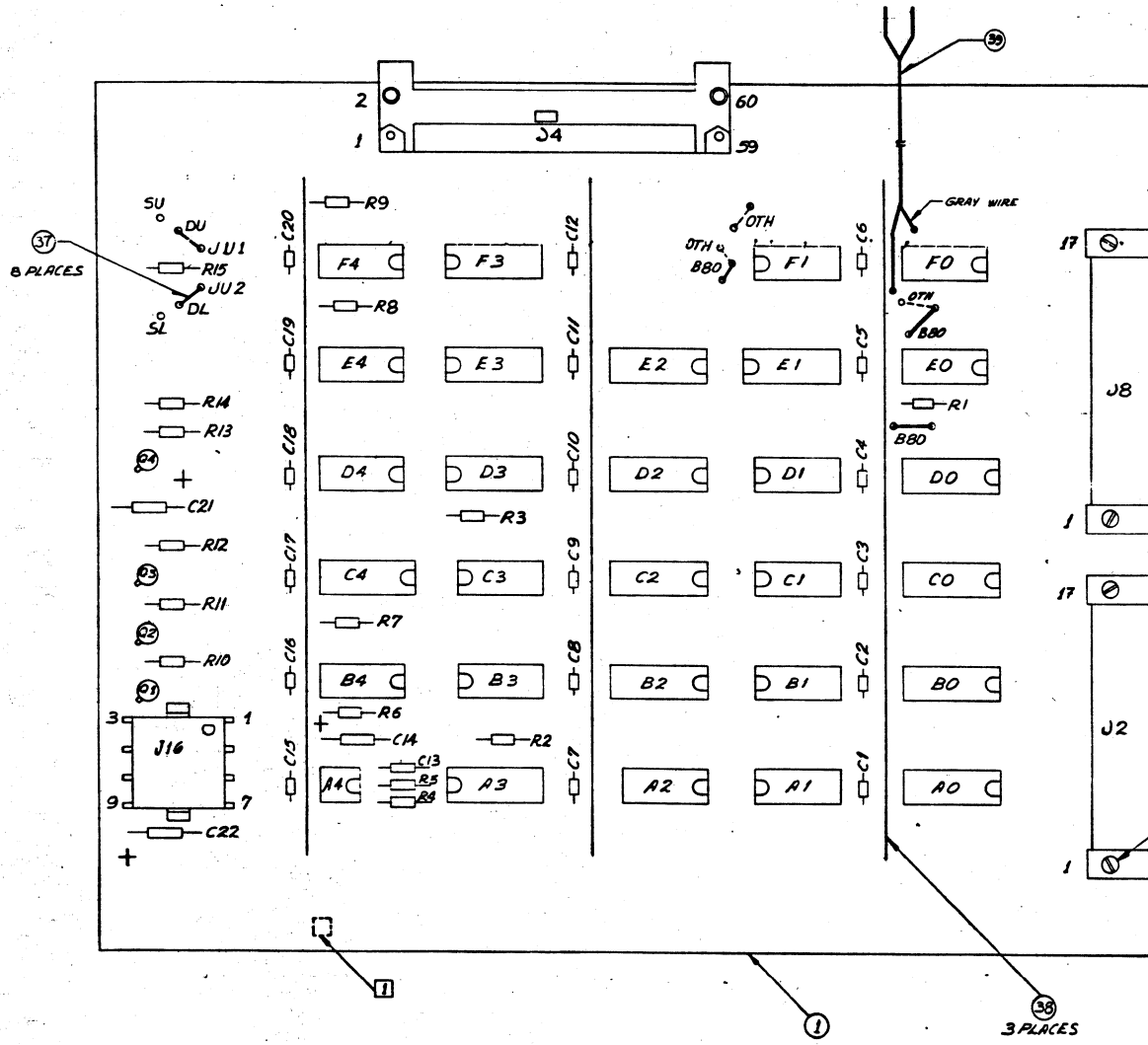
PAGE 4

ASSEMBLY 2857 2634 ISSUE 2

184

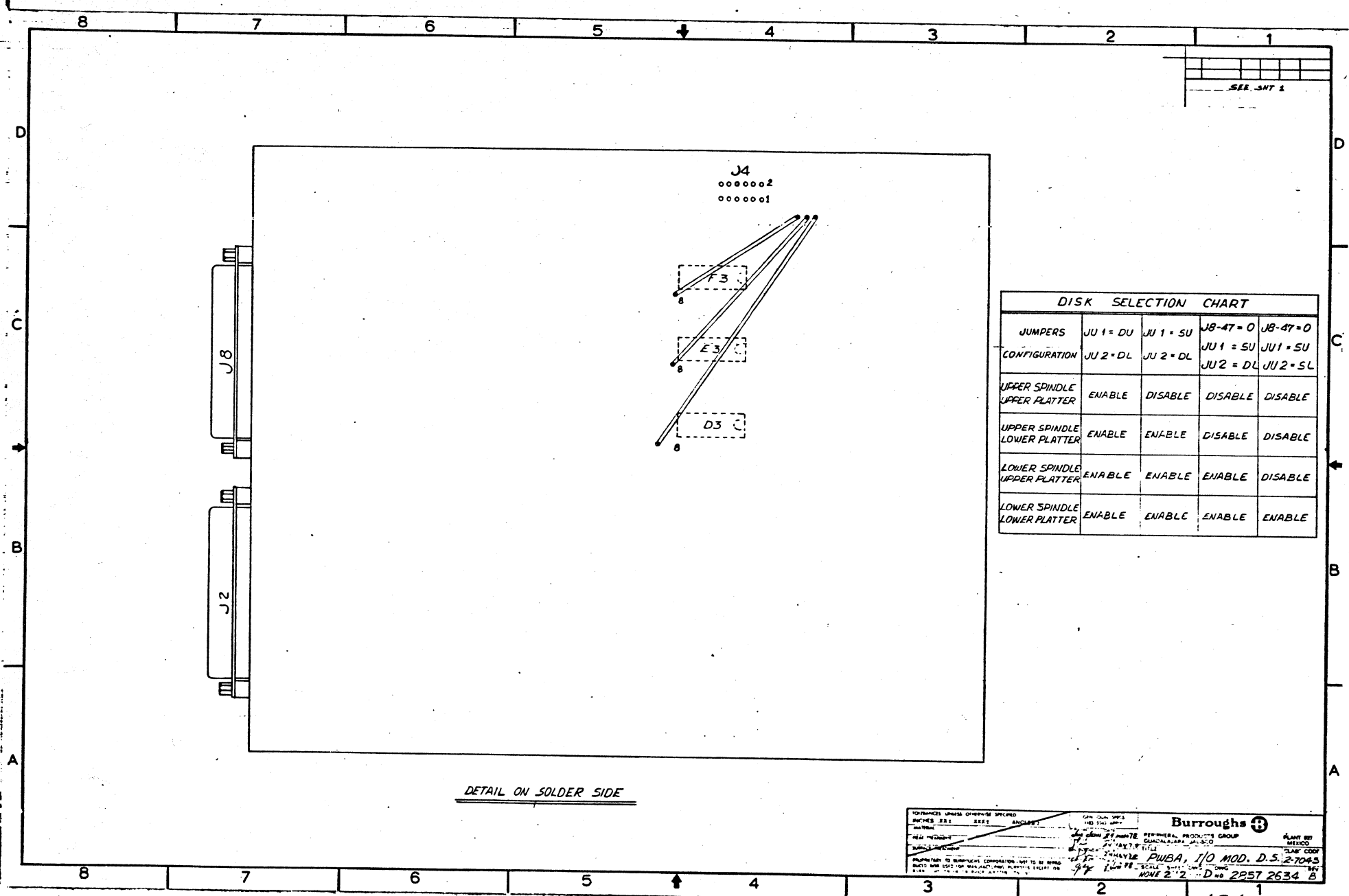
REVISION			
REV	CONT	DR	CHK
A	PCN17333	2/1	1/5
INITIAL RELEASE			
WAS: 2857 1743			
B VELNIGER DV. F-1000			
CHANGE ON SOLDER SIDE JUMPERS			

ITEM NO.	DESIGNATION & LOC.
2	J16
3	D2, J8
4	J4
5	B3, C3
6	E4
7	F4
8	E1
9	A4
10	B2, C2, D2, E2
11	D4, E0, B4
12	A3
13	A1, B1, C1, D1, A2
14	C4
15	D3, E3, F3
16	D1, D2, D3
17	Q4
18	C13
19	C1-C12, C15-C20
20	C14
21	C22
22	C21
23	R1, R2, R3, R4, THRU R22, R25
24	R14
25	R4
26	R5
27	R13
30	A0, B0, C0, D0
36	F0
40	F1



3-SEE ITEM 29 ON P/L FOR PERFORMANCE SPEC.  
 2-SEE ITEM 28 ON P/L FOR SCHEMATIC.  
 1 MARK ASSY NO. AND ISSUE LEVEL, APPROX WHERE SHOWN, IN .12 HIGH 6DTHIC CHARACTERS USING BLACK STENCIL INK.  
 NOTES: UNLESS OTHERWISE SPECIFIED

FORMS UNLESS OTHERWISE SPECIFIED		DATE: 26 MAY 78		DESIGNER: P. W. PA		PLANT: 110	
INCHES: 1/8"	FEET: 1/8"	SCALE: 1/8"	REV: 1	GROUP: P. W. PA	CLASS: 110	CODE: 2-7045	DATE: 26 MAY 78
Burrheads				P. W. PA, 110 MOD. D.S. 2-7045			
Burrheads				HOME 1-2 D-2857 2634 B			



SEE SHY 1

**DISK SELECTION CHART**

JUMPERS	JU 1 = DU	JU 1 = SU	J8-47 = 0	J8-47 = 0
CONFIGURATION	JU 2 = DL	JU 2 = DL	JU 1 = SU	JU 1 = SU
UPPER SPINDLE UPPER PLATTER	ENABLE	DISABLE	DISABLE	DISABLE
UPPER SPINDLE LOWER PLATTER	ENABLE	ENABLE	DISABLE	DISABLE
LOWER SPINDLE UPPER PLATTER	ENABLE	ENABLE	ENABLE	DISABLE
LOWER SPINDLE LOWER PLATTER	ENABLE	ENABLE	ENABLE	ENABLE

DETAIL ON SOLDER SIDE

PERFORMANCE UNLESS OTHERWISE SPECIFIED  
 DIMENSIONS IN INCHES UNLESS OTHERWISE SPECIFIED  
 TOLERANCES UNLESS OTHERWISE SPECIFIED  
 FINISHES: 2211 2211 2211 2211  
 MATERIAL: 2211 2211 2211 2211  
 PART NUMBER: 2211 2211 2211 2211  
 TITLE: 2211 2211 2211 2211  
 DRAWN BY: 2211 2211 2211 2211  
 CHECKED BY: 2211 2211 2211 2211  
 APPROVED BY: 2211 2211 2211 2211  
 DATE: 2211 2211 2211 2211  
 BURROUGHS CORPORATION, 110 MOD. D.S. 2-704-8  
 9x 1 1/2" SCALE SHEET ONE OF TWO  
 NONE 2'12" D no 2257 2634 B

ENGINEERING PARTS LIST REPORT

LAST CHANGES 1 Jun, 1978

PRINTED 1 Jun, 1978

TRAN	PART/DOC NUMBER	DT	DESCRIPTION	DRW SIZE	DRW REV	ISSUE	UOM	CLASS CODE	DOC CCODE	ECT	ECNO	DSGN CNTL
	2163 1205	FL	PNEA-POWER SUPPLY	D	B	4	EA	2-7045-000	2	ECN	10722	027

TRAN	ITEM	DT	DRW SIZE	PART/DOC NUMBER	DFW REV	ISSUE	DOC OUT CODE	DESCRIPTION	QUANTITY	UOM	ECT	ECNO
	1	PL	D	2163 1213		1 999 2		PWB-POWER SUPPLY	1.00	EA		
	2	S	A	1126 5725		1 999 0		CAP-2150UF,40W	2.00	EA		
	3	S	A	1126 5741		1 999 0		CAF-48KUF,25V	1.00	EA		
	4	S	A	2028 5367		1 999 0		CAF-8700UF,25V	4.00	EA		
	5	S	A	2200 6506		1 999 0		RES-.1,5W,52	2.00	EA		
	6	S	A	1117 7854		1 999 0		RES-.05,3W,32	1.00	EA		
	7	ST	A	1268 3504		1 999 0		RES,2K,52,1W	2.00	EA		
	8	S	A	2027 4056		1 999 0		RECTIFIER BRIDGE	4.00	EA		
	9		S	1102 8131		4 999 0		1/2A SLOBLO FUSE	3.00	EA	ECN	10722
	10	S	A	1102 8149		4 999 0		FUSE-3A,3AG	1.00	EA	ECN	10722
	11	S	A	1112 2082		1 999 0		FUSE 2A 3AG 125V	1.00	EA		
	12	S	A	1951 6376		1 999 0		CONN HEADER 15 CKT	1.00	EA		
	13	S	A	2028 5979		1 999 0		HEAT SINK,TAPPED	4.00	EA		
	14		A	2155 8713		1 999 0		HOLDER-FUSE	14.00	EA		

PAGE 1

ASSEMBLY 2163 1205 ISSUE 4

187

ENGINEERING PARTS LIST REPORT

LATEST ISSUE

LAST CHANGES 1 Jun, 1978

PRINTED 1 Jun, 1978

TRAN	PART/DOC NUMBER	DT	DESCRIPTION	DRW SIZE	DRW REV	ISSUE	UOM	CLASS CODE	DOC CCODE	ECT	ECNO	DSGN CNTL
	2163 1205	PL	PNEA-POWER SUPPLY	D	B	4	EA	2-7045-CCG	2	ECN	10722	027

TRAN	ITEM	DT	DRW SIZE	PART/DOC NUMBER	DFW REV	ISSUE	DOC OUT CODE	DESCRIPTION	QUANTITY	UOM	ECT	ECNO
	15		A	2857 1925		3 999 0		TERM-QUICK CONNECT	16.00	EA	ECN	10591
	16	S	A	1255 5280		1 999 0		SCREW 8-32X3/4 FH	4.00	EA		
	17		D	2162 0372	G	4 999 4		SCHEM-PWR SUPPLY	0.00	RF	ECN	10722
	18		A	2162 1883		2 999 4		SPS-POWER SUPPLY	0.00	RF	ECN	10561
	20		B	2162 8342		4 999 0		LABEL, FUSE	1.00	EA	ECN	10722
	21		S	1196 5142		1 999 0		10CHM RES 3W	1.00	EA		
	22		S	2158 0568		1 999 0		GREASE THERMAL	0.00	AR		
	23		S	2157 1427		1 999 0		4 AMF AB FUSE	1.00	EA		
	24		A	1617 5200		1 999 0		FUSE,8A,250V,SLOBL	1.00	EA		

\*\*\*\*\*ADDITIONS AND DELETES SINCE LAST ISSUE\*\*\*\*\*

C	9	S		1102 8131		1 3 0		1/2A SLOBLO FUSE	2.00	EA		
C	10	S	A	1102 8149		1 3 0		FUSE-3A,3AG	2.00	EA		
C	17		D	2162 0372	F	1 3 4		SCHEM-PWR SUPPLY	0.00	RF		
D	20		B	2162 8334		1 3 0		LABEL,FUSE	1.00	EA		
A	20		B	2162 8342		4 999 0		LABEL,FUSE	1.00	EA		

\*\*\*\*\* LAST LINE \*\*\*\*\*

PAGE 2

ASSEMBLY 2163 1205 ISSUE 4

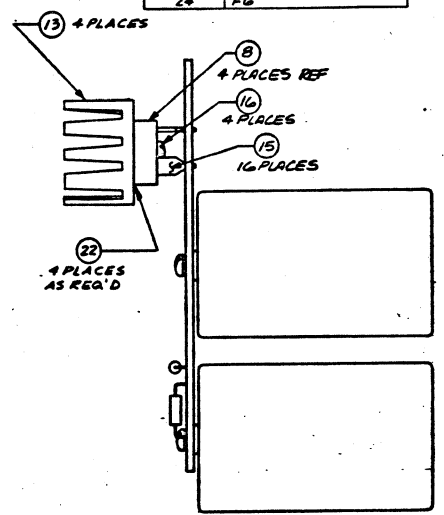
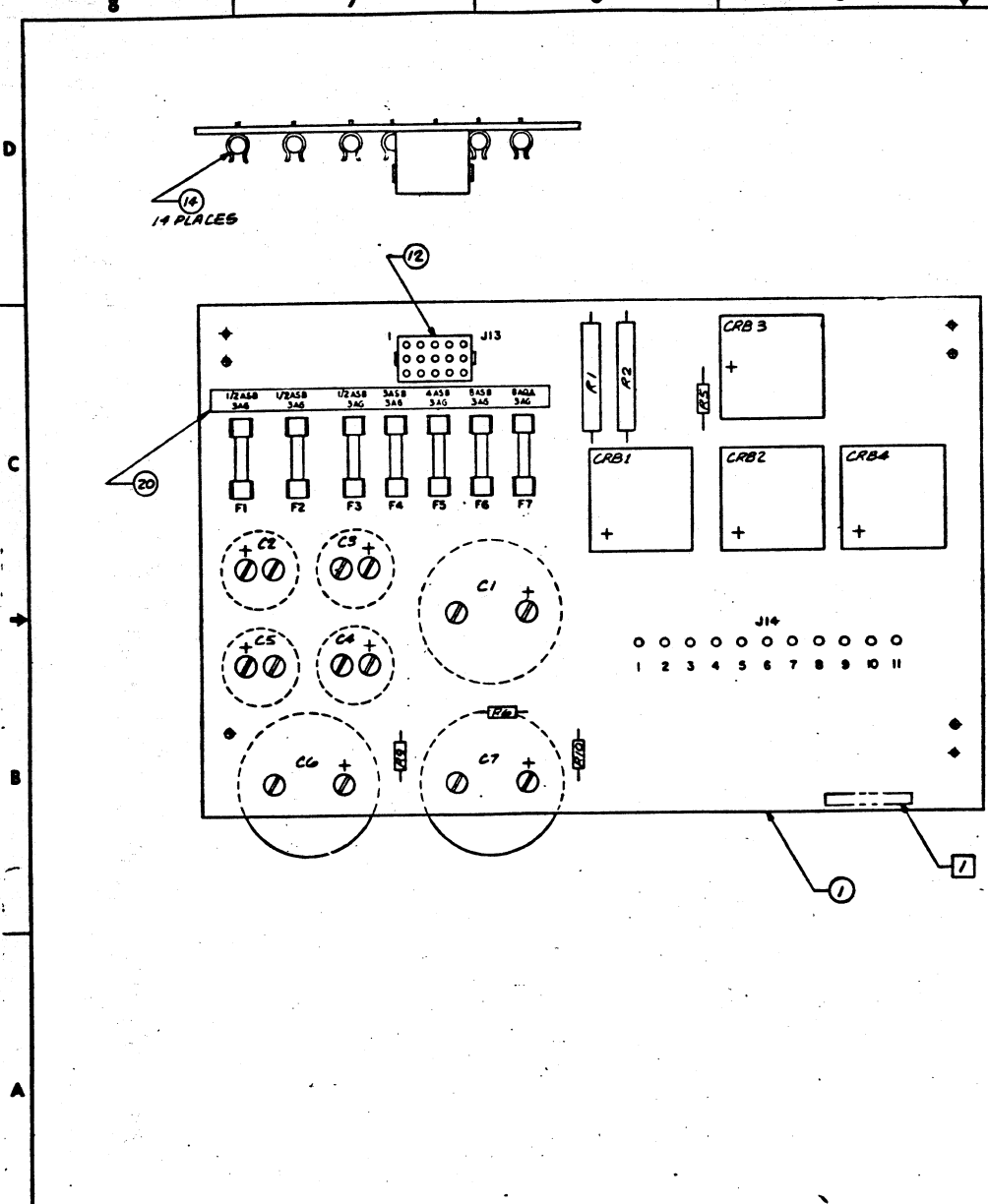
188

D21631205 B 1 of 1  
PWBA - Power Supply

1 2 3 4 5 6 7 8

REVISION			
REV	CONT	OR	CHK APPD DATE
A	ECW3111	28	1/55 (11/7)
INITIAL RELEASE WAS 2163 00B2. F5 AND F6 WERE 3 AMP FUSES. RELOCATED F6 WITHIN CRB 4 (-) CIRCUIT			
B	UD/RTI/PAK	10	10/67
3D	ON RESH TABLE, ITEM 3 ADDED F1 ON RESH TABLE ITEM 10 DELETED F1		
6C	WAS BARD IN BARD (171)		
7C	WAS 345B IN 1/2 TAB. (172)		

REF DESIGNATION TABLE	
ITEM NO	REF DESIG OR LOC.
2	C6, C7
3	C1
4	C2, C3, C4, C5
5	R1, R2
6	R5
7	R9, R10
8	CRB 1 THRU CRB 4
9	F1, F2, F3
10	F4
11	F7
21	R6
23	F5
24	F6



3. - SEE ITEM 18 ON P/L FOR PERFORMANCE SPEC.
2. - SEE ITEM 17 ON P/L FOR SCHEMATIC.
1. MARK ASSY NO. AND ISSUE LEVEL APPROX WHERE SHOWN USING 1/2" HIGH GOTHIC BLACK STENCIL INK CHARACTERS.

NOTES : UNLESS OTHERWISE SPECIFIED

SEE P/L

UNLESS OTHERWISE SPECIFIED		SEE QUAL SPEC 1188 8848 APPLY	
MATERIAL	2163 00B2	DATE	2-7-77
TREAT TREATMENT	ASSEMBLY	DESIGNER	J. GARDNER
SURFACE FINISH	CLASS CODE	TESTER	W. J. ...
PROPERTY TO BUREAU OF CORP. NOT TO BE REPRODUCED FOR OTHER THAN MANUFACTURING PURPOSES EXCEPT ON BUREAU ORDER OR PRIOR WRITTEN CONSENT		Burrhoughs Corporation	
TITLE		PWBA POWER SUPPLY	
SCALE		SHEET 1 OF 1	
DRAWING NO.		2163 1205 B	



ENGINEERING PARTS LIST REPORT

\*\*\* LAST CHANGE: 1 Jun, 1978

PRINTED: 1 Jun, 1978

TRAN NUMBER	PART/DOC	DT	DESCRIPTION	DRW SIZE	DRW REV	ISSUE	UOM	CLASS CODE	DOC CODE	ECT	ECNO	DSGN CNTL
2161 7170	PL	D	MODULE KIT-C.E.N.	C	B	23	EA	2-7047-000	2	FCN	10732	027

TRAN ITEM	DT	DRW SIZE	PART/DOC NUMBER	DRW REV	ISSUE IN	DOC OUT CODE	DESCRIPTION	QUANTITY	UOM	ECT	ECNO
1	PL	D	2162 3830		1 999	2	PWBA-DC VOLT MON	1.00	EA		
2	PL	D	2857 2717		23 999	2	PWBA-SECTOR GEN	1.00	EA	ECN	10732
3	PL	D	2162 1800		1 999	2	PWBA-DR CONTROL 3	1.00	EA		
5	PL	D	2857 2410		21 999	2	PWBA-DR CONTROL 2	1.00	EA	ECN	10692
6	PL	D	2161 7345		1 999	2	PWBA-SVO PREAMP	1.00	EA		
7	MU	D	2857 1610		19 999	2	PWBA-ADDRESS COMPR	1.00	EA	ECN	10535
8											ECN 10553
9	PL	D	2163 3532		16 999	2	PWBA-WRITE ENCODER	1.00	EA	ECN	10461
10	MU	D	2857 1685		22 999	2	PWBA-TIMING/RFC U	1.00	EA	ECN	10545
11	PL	D	2163 2682		14 999	2	PWBA,DATA DISCRIM	1.00	EA	ECN	63121
12	PL	D	2163 1627		12 999	2	PWBA-LPC CORRUTP	1.00	EA	ECN	63114
13	MU	D	2857 1677		22 999	2	PWBA E C C GEN	1.00	EA	ECN	10545
14	PL	D	2857 1255		20 999	2	PWBA-ECC TIMING	1.00	EA	ECN	10497

PAGE 1

ASSEMBLY 2161 7170 ISSUE 23

190

ENGINEERING PARTS LIST REPORT

LATEST ISSUE \*\*\* LAST CHANGE: 1 Jun, 1978

PRINTED: 1 Jun, 1978

TRAN NUMBER	PART/DOC	DT	DESCRIPTION	DRW SIZE	DRW REV	ISSUE	UOM	CLASS CODE	DOC CODE	ECT	ECNO	DSGN CNTL
2161 7170	PL	D	MODULE KIT-C.E.N.	C	B	23	EA	2-7047-000	2	ECN	10732	027

TRAN ITEM	DT	DRW SIZE	PART/DOC NUMBER	DRW REV	ISSUE IN	DOC OUT CODE	DESCRIPTION	QUANTITY	UOM	ECT	ECNO
D 2	PL	D	2161 7188		1 22	2	PWBA, SECTOR GEN	1.00	EA		
A 2	PL	D	2857 2717		23 999	2	PWBA, SECTOR GEN	1.00	EA	ECN	10732

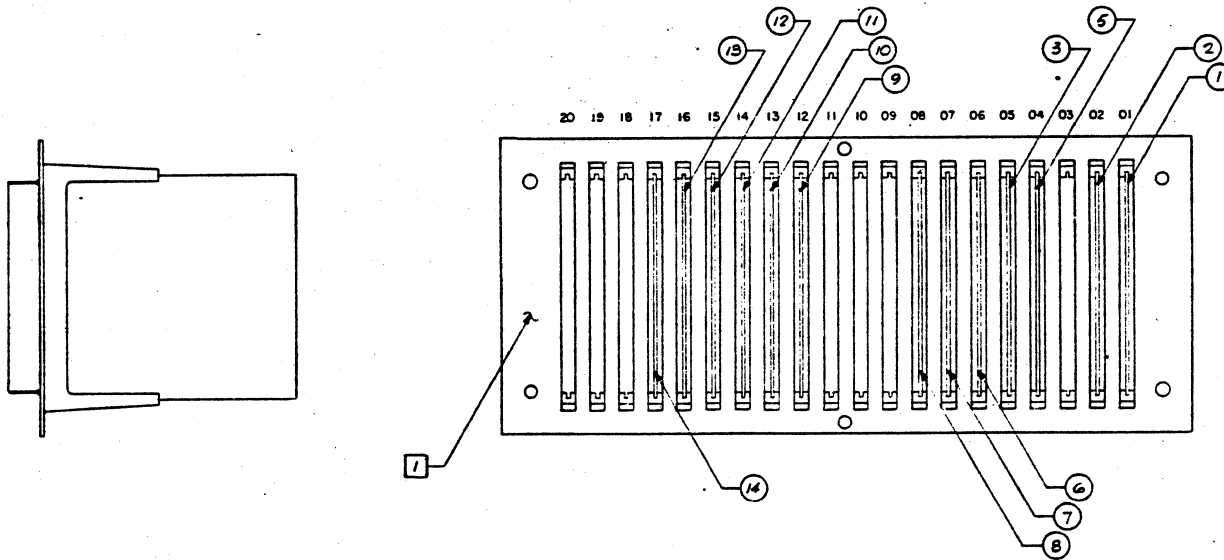
\*\*\*\*\*ADDITIONS AND DELETES SINCE LAST ISSUE\*\*\*\*\*

\*\*\*\*\*LAST LINE\*\*\*\*\*

02161 7170 B 1 of 1  
 MODULE KIT C.E.M.

1 20 / 1 183100  
 02161 7170 B 100

REVISION	
REV	DATE
A	10-20-52
B	10-27-52
3C	DELETED ITEM 4
5C	DELETED ITEM 12



1 CONNECTOR PLATE ASSY SHOWN AS REFERENCE FOR CARD LOCATION ONLY.

NOTES: UNLESS OTHERWISE SPECIFIED

SEE P/L

TOLERANCES UNLESS OTHERWISE SPECIFIED:		DIMENSIONS UNLESS OTHERWISE SPECIFIED:	
MATERIAL	FINISH	ANGLES	DATE
TREATMENT	DESIGN OR ENG	DATE	DATE
BURR/FINISH	CLASS CODE	APPROVED	DATE
PROPERTY TO B. BURROUGHS CORPORATION NOT TO BE REPRODUCED OR USED FOR MANUFACTURING PURPOSES EXCEPT BY BURROUGHS OR ONE OF ITS AFFILIATED COMPANIES		SCALE SHEET 7	
Burroughs Corporation		MODULE KIT, C.E.M.	
DIN PACK PRODUCTS		SHEET 7	
REVISED WILL HOLD SALES		02161 7170 B	

ENGINEERING PARTS LIST REPORT

\*\*\* LAST CHANGES: 14 Jul, 1978

PRINTED: 14 Jul, 1978

TRAN NUMBER	PART/DOC	DT	DESCRIPTION	DRN SIZE	DRN REV	ISSUE	UOM	CLASS CODE	DOC CODE	ECT	ECNO	DSGN CNTL
2162 3830	PL		PWBA-DC VOLT MON	B	B	5	EA	2-7045-000	2	ECN	10723	027

\*\*\*\*HEADER LINE CHANGES SINCE LAST ISSUE\*\*\*\*

A

TRAN ITEM	DT	DRN SIZE	PART/DOC NUMBER	DRN REV	ISSUE IN	DOC OUT	DESCRIPTION	QUANTITY	UOM	ECT	ECNO
1	PL	D	2162 2535		1 999	2	PWB-DC VOLT MONTR	1.00	EA		
2		S	1907 7726		1 999	0	PKG OP ANPL 747	1.00	EA		
3		S	2118 8297		1 999	0	IC LM339COMPARATOR	1.00	EA		
4		S	2156 3119		1 999	0	MULTIVIBRATOR, I.C	1.00	EA		
5		A	1447 3565		1 999	0	DUAL 4 INPUT NAND	1.00	EA		
6		S	1760 2616		1 999	0	DIODE, 1N751A, 5.1V	1.00	EA		
7		S	1446 7245		1 999	0	DIODE, 1N4448	3.00	EA		
8			1877 4257		4 999	0	RES, 500 OHM POT	1.00	EA	ECN 10630	
9		S	1111 8734		1 999	0	RES, 1K 1/4W 2X	8.00	EA		
10			1267 4156		1 999	0	RES, 12.4K 1X 1/4W	2.00	EA		
11		S	1111 8924		1 999	0	RES, 6.19K 2X 1/4W	1.00	EA		
12		S	1111 8767		1 999	0	RES-1130 + 2X 1/4W	1.00	EA		
13			1267 3950		1 999	0	RES, 3.92K 1X 1/4W	1.00	EA		

PAGE 1

ASSEMBLY 2162 3830 ISSUE 5

193

ENGINEERING PARTS LIST REPORT

\*\*\* LAST CHANGES: 14 Jul, 1978

PRINTED: 14 Jul, 1978

TRAN NUMBER	PART/DOC	DT	DESCRIPTION	DRN SIZE	DRN REV	ISSUE	UOM	CLASS CODE	DOC CODE	ECT	ECNO	DSGN CNTL
2162 3830	PL		PWBA-DC VOLT MON	B	B	5	EA	2-7045-000	2	ECN	10723	027

\*\*\*\*HEADER LINE CHANGES SINCE LAST ISSUE\*\*\*\*

A

TRAN ITEM	DT	DRN SIZE	PART/DOC NUMBER	DRN REV	ISSUE IN	DOC OUT	DESCRIPTION	QUANTITY	UOM	ECT	ECNO
14			1267 3984		1 999	0	RES, 4.75K 1X 1/4W	1.00	EA		
15			1267 0873		1 999	0	RES, 511K 1X 1/4W	1.00	EA		
16			1267 0899		1 999	0	RES, 562K 1X 1/4W	1.00	EA		
17			1267 0956		1 999	0	RES, 750K 1X 1/4W	1.00	EA		
18		S	1111 8799		1 999	0	RES, 1.21K 2X 1/4W	1.00	EA		
19		ST	1266 9800		1 999	0	RES 3010 1/4W 1X	1.00	EA		
20		S	1111 8916		1 999	0	RES-5620 + 2X 1/4W	1.00	EA		
21			1266 9594		1 999	0	RES 1-1K	1.00	EA		
23		S	1111 8791		1 999	0	RES-1780 + 2X 1/4W	1.00	EA		
24		S	1111 8932		1 999	0	RES-6810+ 2X 1/4W	1.00	EA		
25		ST	1267 5096		1 999	0	RES, 2.43K 1X 1/4W	2.00	EA		
26		S	1111 8700		1 999	0	RES, 750 2X 1/4W	1.00	EA		

PAGE 2

ASSEMBLY 2162 3830 ISSUE 5

194

ENGINEERING PARTS LIST REPORT

\*\*\* LAST CHANGE: 14 Jul, 1978

PRINTED: 14 Jul, 1978

TRAN	PART/DOC NUMBER	DT	DESCRIPTION	DRM SIZE	DRM REV	ISSUE	UOM	CLASS CODE	DOC CODE	ECT	ECNO	DSGN CNTL
	2162 3830	PL	PMBA-DC VOLT MON	D	B	5	EA	2-7045-000	2	ECN	10723	027

\*\*\*\*HEADER LINE CHANGES SINCE LAST ISSUE\*\*\*\*

A

TRAN	ITEM	DRM DT	PART/DOC SIZE NUMBER	DRM REV	ISSUE IN	DOC OUT CODE	DESCRIPTION	QUANTITY	UOM	ECT	ECNO
	27	ST	1267 9163		1	999 0	CAP-10 UF 20X 20V	1.00	EA		
	28	S	2011 0060		1	999 0	CAP-100PF * 2X	1.00	EA		
	29	S	2300 5079		1	999 0	CAP 0.1 UF 50V	9.00	EA		
	31	S	2300 5697		1	999 0	CAP. .01 MF	1.00	EA		
	32	A	1447 1734		1	999 0	POST-NOD 2	6.00	EA		
	33	B	2857 1636		3	999 0	SPACER-NOD	2.00	EA		ECN 10545
	34	A	2161 1074	A	1	999 3	PERF SPEC DC V MON	0.00	RF		
	35	D	2162 3863	C	5	999 4	SCHEM-DC VOLT MON	0.00	RF		ECN 10723
	36	S	A 1267 4545		1	999 0	RES-200K, 1/4W 1X	1.00	EA		

\*\*\*\*\*ADDITIONS AND DELETES SINCE LAST ISSUE\*\*\*\*\*

C	35	D	2162 3863	B	4	4	4	SCHEM-DC VOLT MON	0.00	RF	ECN 10723
---	----	---	-----------	---	---	---	---	-------------------	------	----	-----------

\*\*\*\*\* LAST LINE \*\*\*\*\*

PAGE 3

ASSEMBLY 2162 3830 ISSUE 5

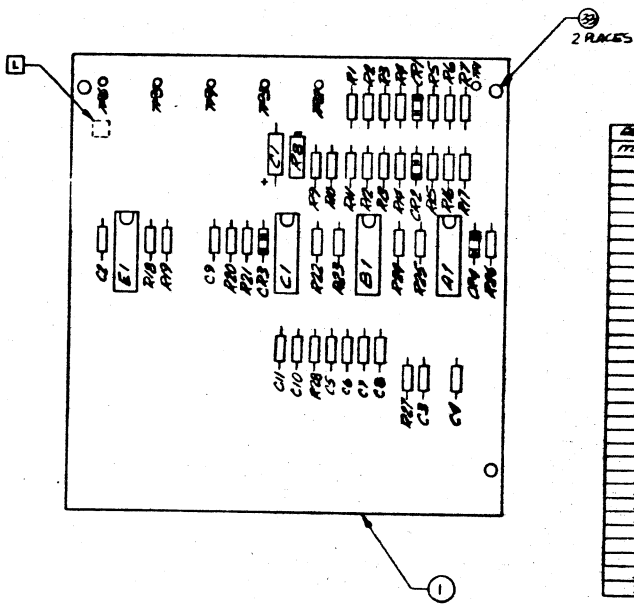
195

1001

D 2162 3830 1041  
PWB DC VOLTAGE MONITOR

REV	REV	CONT	DR	CHK	APPR	DATE
A	ER(2403)	2-1				
B	ER(224)	2-1				

DIFF  
ITEM 9 ADD 22B  
ITEM 16 DELETE R7  
TABLE  
ITEM 22 DELETED WMS:R40  
ITEM 29 ADD C5,6,7,8,10,11,12  
ADD ITEM 36 E.17



ITEM#	NO.	REF. DESIG. OR LDC
1		
2		C1
3		R1
4		E1
5		H
6		CP4
7		CR1,2,3
8		R3
9		<del>TP0,31,2,4,5,6,7,8</del>
10		TP0,3
11		DP2
12		DP3
13		DP4
14		DP5
15		DP6
16		DP7
17		DP8
18		DP9
19		DP10
20		DP11
21		DP12
22		DP13
23		DP14
24		DP15
25		DP16, R16
26		DP17
27		DP18
28		C2
29		C3,5,6,7,8,10,11
30		C4
31		C9
32		TP1,2,3,4,5,6
33		R17

- 3. SEE ITEM 35 ON P/L FOR SCHEMATIC
- 2. SEE ITEM 34 ON P/L FOR PERM. SPEC.
- 1. MARK ISHULL LABEL NO. APPROX. WHERE SHOWN BEING 12 HIGH GOTHIC WHITE STENCIL INK CHARACTERS.

NOTES: UNLESS OTHERWISE SPECIFIED,

**SEE P/L**

DESIGNER: [Signature]		DATE: [Date]	
CHECKED: [Signature]		DATE: [Date]	
DRAWN: [Signature]		DATE: [Date]	
TITLE: PWB DC VOLTAGE MONITOR		SCALE: 2:1	
SHEET: 1		REV: B	

GEN. ORAL SPECS. 1788 8848 APPLY

PROPERTY TO REMAIN COMPANY'S. NOT TO BE REPRODUCED NOR USED FOR MANUFACTURING PURPOSES WITHOUT THE WRITTEN CONSENT OF THE COMPANY.

ENGINEERING PARTS LIST REPORT

\*\*\* LAST CHANGE: 17 May, 1979

PRINTED: 17 May, 1979

TRAN	PART/DOC NUMBER	DT	DESCRIPTION	DRW SIZE	DRW REV	ISSUE	UOM	CLASS CODE	DOC CODE	ECT	ECNO	DSGN CNTL
	2857 2717	PL	PWBA-SECTOR GEN	D	B	4	EA	2-7045-G00	2	ECN	10918	027

TRAN	ITEM	DT	DRW SIZE	PART/DOC NUMBER	DRW REV	ISSUE IN	DOC OUT	DESCRIPTION	QUANTITY	UOM	ECT	ECNO
	1	PL	D	2857 2725		1 999 2		PWB-SECTOR GEN.	1.00	EA		
	2	ST		1447 3607		1 999 0		IC-DUAL D FF 7474	1.00	EA		
	3	S		2158 6235		1 999 0		IC-2-MULTI 74123	2.00	EA		
	4	S		1449 1278		1 999 0		IC QUAD D FF 74175	1.00	EA		
	5			1269 6902		1 999 0		IC-74221	2.00	EA		
	6	S	A	2607 1787		1 999 0		I.C.-74LS00	2.00	EA		
	7	S	A	2608 2073		1 999 0		I.C. 74LS157	1.00	EA		
	8	S		2300 5697		1 999 0		CAP. .01 NF	4.00	EA		
	9	S		2300 5879		1 999 0		CAP 0.1 UF 50V	11.00	EA		
	10			1267 9114		1 999 0		CAP-4.7UF 35V	1.00	EA		
	11	S	A	2010 0749		1 999 0		CAP, 10MF 10% 20V	2.00	EA		
	12	S		2300 5622		1 999 0		CAP-2700PF 1050V	2.00	EA		
	13	S		1446 7245		4 999 0		DIODE,1N4448	2.00	EA	ECN 10918	
	14	S		1111 8734		1 999 0		RES. 1K 1/4W 2X	2.00	EA		

PAGE 1

ASSEMBLY 2857 2717 ISSUE 4

197

ENGINEERING PARTS LIST REPORT

\*\*\* LAST CHANGE: 17 May, 1979

PRINTED: 17 May, 1979

TRAN	PART/DOC NUMBER	DT	DESCRIPTION	DRW SIZE	DRW REV	ISSUE	UOM	CLASS CODE	DOC CODE	ECT	ECNO	DSGN CNTL
	2857 2717	PL	PMEA-SECTOR GEN	D	B	4	EA	2-7045-G00	2	ECN	10918	027

TRAN	ITEM	DT	DRW SIZE	PART/DOC NUMBER	DRW REV	ISSUE IN	DOC OUT	DESCRIPTION	QUANTITY	UOM	ECT	ECNO
	15	S		1111 8775		1 999 0		RES-1.47K 2X 1/4W	2.00	EA		
	16	S		1111 8924		1 999 0		RES-6.19K 2X 1/4W	2.00	EA		
	17	S	A	1266 9966		1 999 0		RES-6.49K-1/4W-1X	2.00	EA		
	18			1111 9062		1 999 0		RES-23.7K 2X 1/4W	2.00	EA		
	19	S		1877 4299		1 999 0		POT-10K-3/4W	2.00	EA		
	20	B		2857 1636		1 999 0		SPACER-MOD	2.00	EA	ECN 10545	
	21	D		2161 7204	F	4 999 4		SCHEM-SECTOR GEN	0.00	RF	ECN 10918	
	22	A		2162 2394		1 999 4		SPS-SECTOR GEN	0.00	RF		

\*\*\*\*\*ADDITIONS AND DELETES SINCE LAST ISSUE\*\*\*\*\*

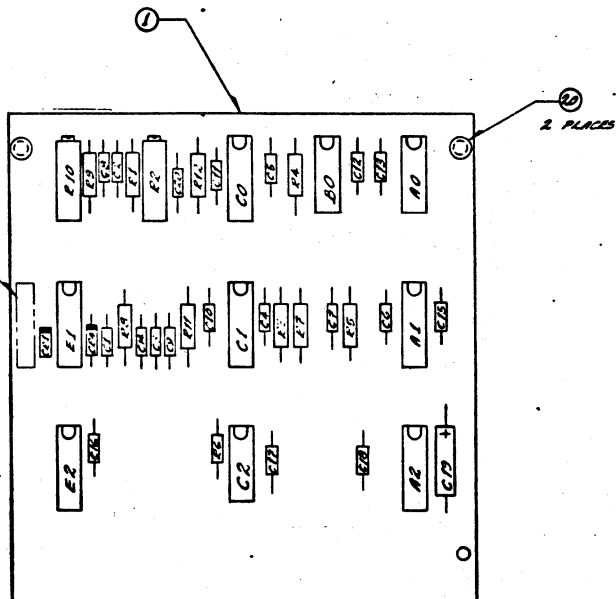
C	21	D	2161 7204	B	3 3 4			SCHEM-SECTOR GEN	0.00	RF	ECN 10918	
C	13	S	1446 7245		1 3 0			DIODE,1N4448	4.00	EA		

\*\*\*\*\*LAST LINE\*\*\*\*\*

PAGE

ASSEMBLY 2857 2717 ISSUE 4

198



REF. DESIGNATION TABLE	
ITEM NO.	REF. DESIGNATION OF LOCATION
2	CC
3	AA, CA
4	ES
5	CC, E1
6	AA, E2
7	AA
8	CC, CS, CR, C9
9	CA, CS, CH, CE, C8, C14, C15, C16, C17, C8, C20
10	C19
11	CC, CT
12	CA, C10
13	CR, C84
14	CR, C9
15	CT, C2
16	CR, C12
17	CR, R11
18	CR, C7
19	CR, C10

REVISION			
REV.	CONF.	DE.	CHK'D DATE
A	10/10/52	A.S.	10/10/52
B	10/10/52	A.S.	10/10/52
C	10/10/52	A.S.	10/10/52

IN THE REF. DESIGNATION TABLE  
DELETED CDS, CS ON ITEM 13  
AND ON THE BD.

3- SEE ITEM 22 ON P/4 FOR PERFORMANCE SPEC.

2- SEE ITEM 21 ON P/4 FOR SCHEMATIC.

1- MARK Assy NO. AND ISSUE LEVEL, APPROX WHERE SHOWN,  
IN J2 RIGID GOTHIC CHARACTERS USING BLACK STENCIL INK.

NOTES: UNLESS OTHERWISE SPECIFIED

SEE P/L

TOLERANCES UNLESS OTHERWISE SPECIFIED		DIMENSIONS IN INCHES UNLESS OTHERWISE SPECIFIED		DATE: 10/10/52		Burroughs		PLANT: MEXICO	
INCHES	FRACTIONS	DECIMALS	ANGLES	DATE	TIME	DESIGNED BY	PERIPHERAL PRODUCTS GROUP	CUNDALANERA, JALISCO	CLASS CODE
1/16	1/32	0.0015	± 15'	10/10/52	10/10/52	10/10/52	PERIPHERAL PRODUCTS GROUP	CUNDALANERA, JALISCO	2-7045
TITLE		SCALE		DRAWN BY		CHECKED BY		APPROVED BY	
PWB/A SECTOR GEN.		2:1 FOR 1/8"		10/10/52		10/10/52		10/10/52	
NO. 2857 2717 8									

ENGINEERING PARTS LIST REPORT

\*\*\* LAST CHANGE: 14 Jul, 1978

PRINTED: 14 Jul, 1978

PART/DOC TRAN NUMBER	DT	DESCRIPTION	DRW SIZE	DRW REV	ISSUE	UOM	CLASS CODE	DOC CODE	ECT	ECNO	OSGN CNTL
2857 2048	PL	PWBA-DR CONTROL I	D	A	2	EA	2-7045-000	2	ECN	10723	027

TRAN ITEM	DT	DRW SIZE	PART/DOC NUMBER	DRW REV	ISSUE IN	DOC OUT CODE	DESCRIPTION	QUANTITY	UOM	ECT	ECNO
1	PL	D	2857 2055		1 999	2	PWB-DRIVE CONTRL I	1.00	EA		
2		S	2047 7717		1 999	0	SOCKET, COMPONENT	3.00	EA		
3		A	1269 7744		1 999	0	I.C. 9334	3.00	EA		
4	ST		1269 7140		1 999	0	COUNTER 4 BIT	2.00	EA		
5		S	2600 1545		1 999	0	DECODER, 3-8 74S138	1.00	EA		
6		S	2602 3283		1 999	0	DUAL2/4LINE 74S139	1.00	EA		
7	S	A	2607 1787		1 999	0	I.C.-74LS00	1.00	EA		
8	S	A	2607 1795		1 999	0	I.C., 74LS02	1.00	EA		
9		S	2155 9646		1 999	0	LAMP, LED	11.00	EA		
10		S	2300 5879		1 999	0	CAP 0.1 UF 50V	12.00	EA		
11		S	1267 9106		1 999	0	CAP 4.7UF 10V	1.00	EA		
12		B	2857 1636		1 999	0	SPACER, MOD	2.00	EA		
13		D	2161 7287	F	2 999	4	SCHEM-DR CONTROL I	0.00	RF	ECN 10723	
14		A	2162 1842	A	1 999	3	SPS-DR CONTROL	0.00	RF		

PAGE 1

ASSEMBLY 2857 2048 ISSUE 2

200

ENGINEERING PARTS LIST REPORT

\*\*\* LAST CHANGE: 14 Jul, 1978

PRINTED: 14 Jul, 1978

PART/DOC TRAN NUMBER	DT	DESCRIPTION	DRW SIZE	DRW REV	ISSUE	UOM	CLASS CODE	DOC CODE	ECT	ECNO	OSGN CNTL
2857 2048	PL	PWBA-DR CONTROL I	D	A	2	EA	2-7045-000	2	ECN	10723	027

TRAN ITEM	DT	DRW SIZE	PART/DOC NUMBER	DRW REV	ISSUE IN	DOC OUT CODE	DESCRIPTION	QUANTITY	UOM	ECT	ECNO
15		S	2205 6196		1 999	0	IC, 13X1K RES	1.00	EA		

\*\*\*\*\* ADDITIONS AND DELETES SINCE LAST ISSUE\*\*\*\*\*

C 13	D	2161 7287	E	1 1	4		SCHEM-DR CONTROL I	0.00	RF	ECN 10723	
------	---	-----------	---	-----	---	--	--------------------	------	----	-----------	--

\*\*\*\*\* LAST LINE \*\*\*\*\*

PAGE 2

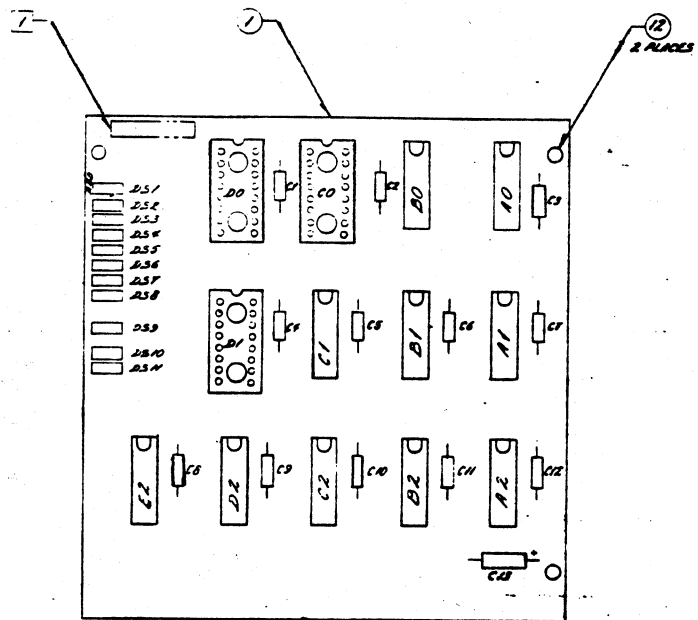
ASSEMBLY 2857 2048 ISSUE 2

201



REVISION  
 PART NO. CONT. OR CHG. DATE DATE  
 A. EXCHG. PART NO. (1) (2) (3) (4) (5) (6) (7) (8) (9) (10) (11) (12) (13) (14) (15) (16) (17) (18) (19) (20)  
 INITIAL RELEASE NUMBER 4701


REF. DESIGNATION TABLE	
ITEM NO.	REF. DESIGNATION OR LOCATION
2	CO, DO, DI
3	CE, DE, RE
4	BI, CI
5	AE
6	BE
7	AO
8	AI
9	DS1 THRU DS4
10	E1 THRU E2
11	C1B
13	BO



- 3. SEE ITEM 14 ON P/L FOR PERFORMANCE SPEC.
- 2. SEE ITEM 13 ON P/L FOR SCHEMATIC.
- MARK PART NO. AND ISSUE LENGTH, APPROX. WHERE SHOWN, IN 12 HIGH GOTHIC CHARACTERS USING BLACK STENCIL INK.

NOTES: UNLESS OTHERWISE SPECIFIED

SEE P/L

**Burroughs** 

PARMA, OHIO 44134  
 CLEVELAND, OHIO 44115  
 PITTSBURGH, PA 15222  
 WASHINGTON, DC 20004

FORM 80  
 1-1965

CLASS CC-1  
 3-FOVS

2857 2048

ENGINEERING PARTS LIST REPORT

\*\*\* LAST CHANGE: 9 May, 1978

PRINTED: 9 May, 1978

PART/DOC TRAN NUMBER	DT	DESCRIPTION	CRW SIZE	DRW REV	ISSUE	UOP	CLASS	CCODE	DOC CCODE	ECT	ECNO	DSGN CNTL
2857 2410	FL	PWBA-DR CONTROL 2	D	A	1	EA	2-7045-000	2	ECN	10692	027	

TRAN ITEM	DT	DRW SIZE	PART/DOC NUMBER	CFW REV	ISSUE IN	DOC OUT CODE	DESCRIPTION	QUANTITY	UCH	ECT	ECNO
1	PL	D	2857 2162		1	999 2	PWB-DRIVE CNTRL 2	1.00	EA		
2			1449 1039		1	999 0	IC,8PIN S TIMER 555	2.00	EA		
3		A	1447 3698		1	999 0	IC EXCLVE OR 7486	1.00	EA		
4	S	A	2607 1795		1	999 0	I.C.,74LS02	1.00	EA		
5	S	A	2608 5306		1	999 0	I.C.,74LS251	3.00	EA		
6		S	1446 7245		1	999 0	DIODE, 1N4448	1.00	EA		
7		S	2300 5697		1	999 0	CAP. .01 MF	3.00	EA		
8		S	2300 5879		1	999 0	CAP. 0.1 UF 50V	8.00	EA		
9		ST	1267 9031		1	999 0	CAP-1 UF 20x35V	1.00	EA		
10		S	1101 5195		1	999 0	CAP,.68 UF 5x35V	1.00	EA		
11		S	1267 9106		1	999 0	CAP 4.7UF 10V	1.00	EA		
12		S	1111 8734		1	999 0	RBS, 1K 1/4W 2%	3.00	EA		
13		S	1111 8973		1	999 0	RBS,10K 2%,1/4W	3.00	EA		
14		S	1627 2486		1	999 0	IC, COUNTER 74193	1.00	EA		

PAGE 1

ASSEMBLY 2857 2410 ISSUE 1

203

ENGINEERING PARTS LIST REPORT

\*\*\* LAST CHANGE: 9 May, 1978

PRINTED: 9 May, 1978

PART/DOC TRAN NUMBER	DT	DESCRIPTION	CRW SIZE	DRW REV	ISSUE	UOP	CLASS	CCODE	DOC CCODE	ECT	ECNO	DSGN CNTL
2857 2410	FL	PWBA-DR CONTROL 2	D	A	1	EA	2-7045-000	2	ECN	10692	027	

TRAN ITEM	DT	DRW SIZE	PART/DOC NUMBER	CFW REV	ISSUE IN	DOC OUT CODE	DESCRIPTION	QUANTITY	UCH	ECT	ECNO
15	S	A	1265 6971		1	999 0	RES,1.5M, 1/4W, 5%	1.00	EA		
16			1265 7573		1	999 0	RES,10 MEG 1/4W	1.00	EA		
17		A	2205 4837		1	999 0	SWITCH,TOGGLE SPDT	1.00	EA		
18	S	A	2205 8630		1	999 0	SWITCH,ON/OFF-ON	1.00	EA		
19	S	A	2219 1449		1	999 0	SWITCH, PUSHBUTTON	1.00	EA		
20		B	2857 1636		1	999 0	SPACER, MOD	2.00	EA		
21		D	2857 2428	A	1	999 4	SCHEM-DR CONTROL 2	0.00	RF		
22		A	2162 1842	A	1	999 3	SPS-DR CONTROL	0.00	RF		
23	S	A	2607 1787		1	999 0	I.C.-74LS00	1.00	EA		
24		ST	1447 3607		1	999 0	IC,DUAL D FF 7474	1.00	EA		
25		S	1447 3516		1	999 0	IC, NAND GATE 7400	1.00	EA		

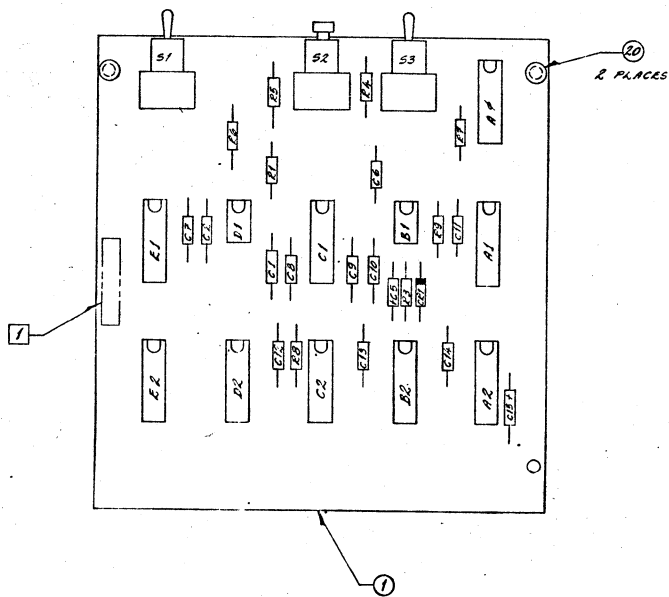
\*\*\*\*\* ADDITIONS AND DELETES SINCE LAST ISSUE \*\*\*\*\*

\*\*\*\*\* LAST LINE \*\*\*\*\*

PAGE 2

ASSEMBLY 2857 2410 ISSUE 1

204



REF. DESIGNATION TABLE	
ITEM NO.	REF. DESIGNATION OR LOCATION
2	S1, D1
3	E1
4	C1
5	E2, C2, D2
6	C21
7	C2, C6
8	C3, C8, C3, C10, C11, C12, C13, C14
9	C5
10	C1
11	C5
12	E7, E8, E9
13	E2, E5, E6
14	A1
15	E2
16	E1
17	E3
18	S1
19	E4
20	A1
21	E2
22	A2

REVISION				
BY	DATE	REASON	APP'D.	DATE
A	2002	A. H.	A. H.	10/15/02
INITIALS REQUIRED: NAME, TITLE, DATE				

3. SEE ITEM R2 ON P/L FOR PERFORMANCE SPEC.
2. SEE ITEM R1 ON P/A FOR SCHEMATIC
- 1 MARK ASSY NO. AND ASSY LEVEL, APPROX WHEEL 1/4 IN IN .12 HIGH 60 MIC CHARACTERS USING BLACK STENCIL INK
- NOTES: UNLESS OTHERWISE SPECIFIED

205

FORMER W/ISS. CONTROL IN

INCHES: 1/8" 1/4" 3/8" 1/2" 3/4" 1" 1 1/4" 1 1/2" 2" 2 1/2" 3" 3 1/2" 4" 4 1/2" 5" 5 1/2" 6" 6 1/2" 7" 7 1/2" 8" 8 1/2" 9" 9 1/2" 10"

DATE: 11-2-02

BY: J. H. H.

APPROVED: J. H. H.

PIVOT DRIVE CONTROL

2857 241

ENGINEERING PARTS LIST REPORT

\*\*\* LAST CHANGE: 15 Feb, 1979

PRINTED: 15 Feb, 1979

PART/DOC		DT	DESCRIPTION	DRW	DRW	ISSUE	UOM	CLASS CODE	DOC	ECT	ECNO	DSGN
TRAN	NUMBER			SIZE	REV				CODE			CNTL
2162	1800	PL	PWBA-DR CONTROL 3	D	B	8	EA	2-7045-000	2	ECN	10884	027

TRAN	ITEM	DT	DRW	PART/DOC	DRW	ISSUE	DOC	DESCRIPTION	QUANTITY	UOM	ECT	ECNO
			SIZE	NUMBER	REV	IN	OUT					
	1	PL	D	2162 1818		1	999 2	PWB-DR CONTROL III	1.00	EA		
	2	S	A	2607 1787		1	999 0	I.C.-74LS00	2.00	EA		
	3	S	A	2607 1803		1	999 0	I C-74LS04	1.00	EA		
	4	S	A	1269 7769		1	999 0	I.C.-74LS133	1.00	EA		
	5	S	A	2608 6298		1	999 0	I.C.-74LS174	2.00	EA		
	6		S	2155 9646		1	999 0	LAMP,LED	12.00	EA		
	7		S	2300 5879		1	999 0	CAP 0.1 UF 50V	6.00	EA		
	8		S	1267 9106		1	999 0	CAP 4.7UF 10V	1.00	EA		
	9		S	1111 8734		1	999 0	RES, 1K 1/4W 2%	1.00	EA		
	10		S	1111 8973		1	999 0	RES, 10K 2%, 1/4W	1.00	EA		
	11		B	2857 1636		4	999 0	SPACER,MOD	2.00	EA	ECN 10545	
	12		D	2162 1834	F	8	999 4	SCHEM,DR CONTROL 3	0.00	RF	ECN 10884	
	13		A	2162 1842	A	1	999 3	SPS-DR CONTROL	0.00	PF	ECN 62743	

PAGE 1

ASSEMBLY 2162 1800 ISSUE 8

200

ENGINEERING PARTS LIST REPORT

\*\*\* LAST CHANGE: 15 Feb, 1979

PRINTED: 15 Feb, 1979

PART/DOC		DT	DESCRIPTION	DRW	DRW	ISSUE	UOM	CLASS CODE	DOC	ECT	ECNO	DSGN
TRAN	NUMBER			SIZE	REV				CODE			CNTL
2162	1800	PL	PWBA-DR CONTROL 3	D	B	8	EA	2-7045-000	2	ECN	10884	027

TRAN	ITEM	DT	DRW	PART/DOC	DRW	ISSUE	DOC	DESCRIPTION	QUANTITY	UOM	ECT	ECNO
			SIZE	NUMBER	REV	IN	OUT					
	14	S		1111 8924		5	999 0	RES, 6.19K 1/4W 2%	1.00	EA	ECN 10562	

\*\*\*\*\* ADDITIONS AND DELETES SINCE LAST ISSUE \*\*\*\*\*

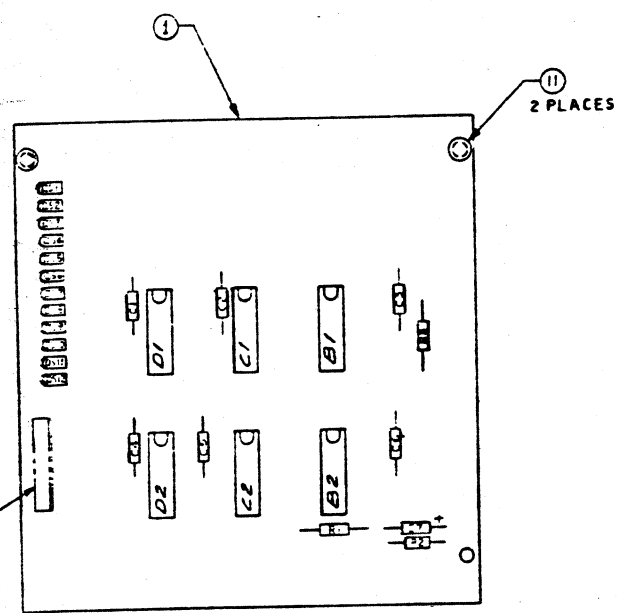
C D D 2162 1834 E 7 7 4 SCHEM,DR CONTROL 3 0.00 RF ECN 10884

\*\*\*\*\* LAST LINE \*\*\*\*\*

2162 1800  
PWB Drive Control

ITEM NO.	REF. DESIGNATION OR LOCATION
2	B2, C1
3	C2
4	B1
5	D1, D2
6	D31, D32, D33, D34, D35, D36, D37, D38, D39, D40, D41, D42
7	C1, C2, C3, C4, C5, C6
8	C7
9	R2
10	R1
14	R3

REV. 1  
DATE 10/15/64  
BY J. S. J.  
APPROVED C. G.



3. SEE ITEM 13 ON P/L FOR PERFORMANCE SPEC.
2. SEE ITEM 12 ON P/L FOR SCHEMATIC.
1. MARK ASSY NO. AND ISSUE LEVEL, APPROX WHERE SHOWN, IN .12 HIGH GOTHIC CHARACTERS USING BLACK STENCIL INK.

NOTES: UNLESS OTHERWISE SPECIFIED

**SEE P/L**

TOLERANCES UNLESS OTHERWISE SPECIFIED:		Burroughs Corporation	
SIZE .001	ANGLES .5	NEW YORK, N.Y.	
MATERIAL	FINISH	DATE PAGE PRODUCTS	
PREP TREATMENT	PLATING	REV. 1	
SUBSTRATE TREATMENT	DRILLING	TITLE PWB DRIVE CONTROL	
PROPERTY TO BE REMOVED BY COMPANY ON DELIVERY TO CUSTOMER		SCALE 2701	DRG NO. 2162 1800
FOR COMPANY RETURN, SEE COMPANY'S SPECIFICATION FOR REWORK PROCEDURE		REV. 1	

ENGINEERING PARTS LIST REPORT

\*\*\* LAST CHANGE: 14 Jul, 1978

PRINTED: 14 Jul, 1978

PART/DOC TRAN NUMBER	DT	DESCRIPTION	DRW SIZE	DRW REV	ISSUE	UOM	CLASS CODE	DOC CODE	ECT	ECNO	DSGN CNTL
2161 7345	PL	PWBA-SVO PREAMP	D	A	4	EA	2-7C45-006	2	ECN	10723	027

TRAN ITEM	DT	DRW SIZE	PART/DOC NUMBER	DRW REV	ISSUE IN	DOC OUT CODE	DESCRIPTION	QUANTITY	UOM	ECT	ECNO
1	PL	D	2161 7352		1 999	2	PWB-SERVO PREAMP	1.00	EA		
2		S	1907 7726		1 999	0	PKG-6P AMPL 747	3.00	EA		
3			1269 7215		1 999	0	DAC 8-BIT 1408L-6	3.00	EA		
4			2160 5126		1 999	0	TX-MHQ2907QUAD PNP	1.00	EA		
5		S	1446 7245		1 999	0	DICDE-1N4448	5.00	EA		
6		S	1446 7187		1 999	0	TRANS-2N2907A	1.00	EA		
7		S	1635 2924		1 999	0	TSTR-TYPE 2N4221	1.00	EA		
8		S	2300 5697		1 999	0	CAP-.01 HF	12.00	EA		
9		ST	1267 9031		1 999	0	CAP-1 UF 20X35V	3.00	EA		
10		S	1269 5342		1 999	0	CAP CER 100PF	3.00	EA		
11		S	2300 5572		2 999	0	CAP-1600PF 20X50V	1.00	EA		
12		S	1111 8668		1 999	0	RES-511 1/4W 2X	1.00	EA		
13		S	1111 8676		1 999	0	RES-562 2X 1/4W	1.00	EA		
14		S	1111 8700		1 999	0	RES-750 2X 1/4W	1.00	EA		

PAGE 1

ASSEMBLY 2161 7345 ISSUE 4

209

ENGINEERING PARTS LIST REPORT

\*\*\* LAST CHANGE: 14 Jul, 1978

PRINTED: 14 Jul, 1978

PART/DOC TRAN NUMBER	DT	DESCRIPTION	DRW SIZE	DRW REV	ISSUE	UOM	CLASS CODE	DOC CODE	ECT	ECNO	DSGN CNTL
2161 7345	PL	PWBA-SVO PREAMP	D	A	4	EA	2-7C45-006	2	ECN	10723	027

TRAN ITEM	DT	DRW SIZE	PART/DOC NUMBER	DRW REV	ISSUE IN	DOC OUT CODE	DESCRIPTION	QUANTITY	UOM	ECT	ECNO
15		S	1111 8718		1 999	0	RES-825 2X 1/4W	1.00	EA		
16		S	1111 8726		1 999	0	RES-989 2X 1/4W	1.00	EA		
17		S	1111 8734		1 999	0	RES-1K 1/4W 2X	6.00	EA		
18		S	1111 8759		1 999	0	RES-1.21K 2X 1/4W	3.00	EA		
19		S	1111 8775		1 999	0	RES-1.47K 2X 1/4W	1.00	EA		
20		S	1111 8908		1 999	0	RES-511C 2X 1/4W	1.00	EA		
21		S	1111 8924		1 999	0	RES-6.19K 2X 1/4W	5.00	EA		
22		S	1111 8940		1 999	0	RES-7.5K 2X 1/4W	2.00	EA		
23		S	1111 8973		1 999	0	RES-10K 2X 1/4W	5.00	EA		
24		S	1111 8981		1 999	0	RES-11K 2X 1/4W	1.00	EA		
25		S	1111 9070		1 999	0	RES-26.1K 2X 1/4W	1.00	EA		
26		S	1111 9104		1 999	0	RES-34.8K 2X 1/4W	4.00	EA		
27		S	1111 9211		1 999	0	RES-100K 1/4W 2X	1.00	EA		
28		A	1447 1734		1 999	0	POST-NGB 2	6.00	EA		

PAGE 2

ASSEMBLY 2161 7345 ISSUE 4

211

ENGINEERING PARTS LIST REPORT

\*\*\* LAST CHANGE: 14 Jul, 1978

PRINTED: 14 Jul, 1978

TRAN	PART/DOC NUMBER	DT	DESCRIPTION	DRM SIZE	DRM REV	ISSUE	UOM	CLASS CODE	DOC CODE	ECT	ECNO	DSGN CNTL
	2161 7345	PL	PWBA-SVO PREAMP	D		A	4 EA	2-7045-000	2	ECN	10723	027

TRAN	ITEM	DRM DI	PART/DOC SIZE NUMBER	DRM REV	ISSUE IA	DOC OUT CODE	DESCRIPTION	QUANTITY	UOM	ECT	ECNO
	29	B	2857 1636		3	999 0	SPACER,MOD	2.00	EA	ECN	10545
	30	D	2161 7360	C	4	999 4	SCHEM-SVO PREAMP	0.00	RF	ECN	10723
	31	A	2162 2758		1	999 4	SPS-SERVO PREAMP	0.00	RF		
	32	S	2300 5879		1	999 0	CAP 0.1 UF 50V	1.00	EA		

\*\*\*\*\*ADDITIONS AND DELETES SINCE LAST ISSUE\*\*\*\*\*

C	30	D	2161 7360	B	1	3 4	SCHEM-SVO PREAMP	0.00	RF	ECN	10723
---	----	---	-----------	---	---	-----	------------------	------	----	-----	-------

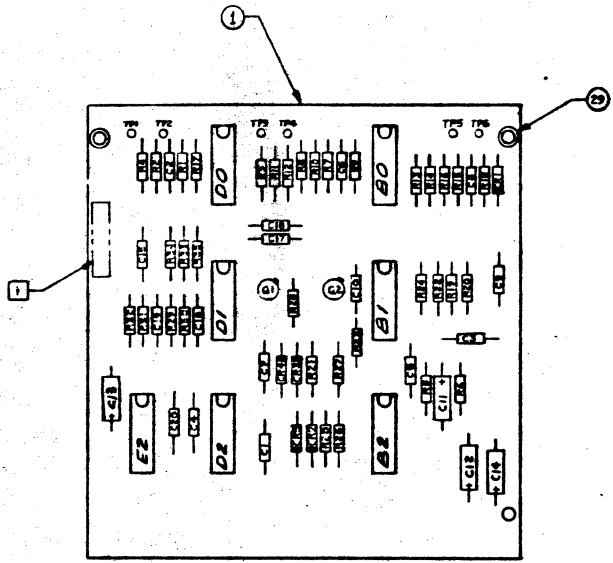
\*\*\*\*\*LAST LINE\*\*\*\*\*

D 2161 7345 A 1001  
PWSA Servo Pre Amp

1 2 3 4 5 6 7 8  
REV 1912 WBS BND 2

REVISION  
REV. CONT. DR. CHG. APPR. DATE  
A EL 62007 G.E. U.P.A. 11/57

REF. DESIGNATION TABLE	
ITEM NO.	REF. DESIGNATION OR LOCATION
2	E1, D0, D1
3	B2, D2, E2
4	B0
5	CR1, CR2, CR3, CR4, CR5
6	Q1
7	Q2
8	C1, C2, C3, C4, C6, C9, C10, C15 C16, C17, C18, C19
9	C11, C12, C13
10	C5, C7, C20
11	C8
12	R25
13	R23
14	R6
15	R16
16	R5
17	R3, R12, R20, R26, R31, R34
18	R4, R14, R32
19	R9
20	R7
21	R8, R11, R17, R33, R35
22	R13, R27
23	R1, R2, R15, R29, R30
24	R10
25	R18
26	R19, R22, R24, R28
27	R21
28	TP1 THRU TP6
32	C14



- 3. SEE ITEM 31 ON P/L FOR PERFORMANCE SPEC.
- 2. SEE ITEM 30 ON P/L FOR SCHEMATIC.
- 1. MARK ASSY NO. AND ISSUE LEVEL, APPROX WHERE SHOWN, IN .12 HIGH GOTHIC CHARACTERS USING BLACK STENCIL INK.

NOTES: UNLESS OTHERWISE SPECIFIED

**SEE P/L**

VOLTAUGHAN UNLESS OTHERWISE SPECIFIED		DATE	
JOB #	2161	DESIGNED BY	WBS
DESIGNER	WBS	CHECKED BY	WBS
PREPARED BY	WBS	DATE OF THIS DRAWING	11/57
REVISIONS		SCALE	1" = 1" (SEE P/L)
PROPERTY OF BURROUGHS CORPORATION. NOT TO BE REPRODUCED OR COPIED FOR MANUFACTURING PURPOSES WITHOUT THE WRITTEN CONSENT OF BURROUGHS CORPORATION.		Burroughs Corporation DES. PAKK PRODUCTS WESTLAKE VILLAGE, CALIF. 91361 WESTLAKE PLANT U.S. AIR FORCE <b>PWSA SERVO PREAMP</b> SHEET 1 OF 2 SCALE 1" = 1" (SEE P/L) 21617345 A	

212



ENGINEERING PARTS LIST REPORT

LAST CHANGE: 14 JUL 1978

PRINTED: 14 JUL 1978

TRAN	PART/DOC NUMBER	DT	DESCRIPTION	DRW SIZE	DRW REV	ISSUE	UOM	CLASS CODE	DCC CCODE	ECT	ECNO	ESGN CNTL
	2857 1610	MU	PWBA-ADDRESS COMP	D	A	4	EA	2-7045-000	2	ECN	10723	027

TRAN	ITEM	DT	DRW SIZE	PART/DOC NUMBER	DRW REV	ISSUE	DCC CODE	DESCRIPTION	QUANTITY	UOM	ECT	ECNO
	1	MU	D	2162 8284		1 999 2		PWB-ADDRESS COMPAR	1.00	EA		
	2		S	1449 1278		1 999 0		IC 6UAD D FF 74175	2.00	EA		
	3			2600 1677		1 999 0		4BIT FULL ADD74283	3.00	EA		
	4			2603 7606		1 999 0		4BIT TC-1ZERC74H87	2.00	EA		
	5		ST	1447 3607		1 999 0		IC-DUAL D FF 7474	1.00	EA		
	6			2603 7598		1 999 0		DUAL 2X2 AOI 74H51	1.00	EA		
	7		ST	1447 3532		1 999 0		IC-HEX INV 7404	1.00	EA		
	8		ST	2600 4929		1 999 0		IC-3-3IN NOR 7427	1.00	EA		
	9		S	1111 8734		1 999 0		RES- 1K 1/4W 2X	1.00	EA		
	10		S	2300 5879		1 999 0		CAP 0.1 UF 50V	6.00	EA		
	11		ST	1447 3540		1 999 0		IC-3-3IN NAND 7410	1.00	EA		
	12			2601 2773		1 999 0		5BIT COMP 9324	2.00	EA		
	13			2857 1800	A	3 999 4		SPEC PERF PWBA ADD.COMP	0.00	RF	ECN	10555
	14		D	2160 5241	C	1 999 4		SCHEM-ADDR COMP-32	0.00	RF		

PAGE 1

ASSEMBLY 2857 1610 ISSUE 4

213

ENGINEERING PARTS LIST REPORT

LAST CHANGE: 14 JUL 1978

PRINTED: 14 JUL 1978

TRAN	PART/DOC NUMBER	DT	DESCRIPTION	DRW SIZE	DRW REV	ISSUE	UOM	CLASS CODE	DCC CCODE	ECT	ECNO	ESGN CNTL
	2857 1610	MU	PWBA-ADDRESS COMP	D	A	4	EA	2-7045-000	2	ECN	10723	027

TRAN	ITEM	DT	DRW SIZE	PART/DOC NUMBER	DRW REV	ISSUE	DCC CODE	DESCRIPTION	QUANTITY	UOM	ECT	ECNO
	15		D	2857 2824	A	4 999 4		SCHEM-ADDR COMP201	0.00	RF	ECN	10723
	16		S	1269 5383		1 999 0		CAP 220PF 50V 20X	1.00	EA		
	17		B	2857 1636		2 999 0		SPACER MODULAR	2.00	EA	ECN	10545

..... ADDITIONS AND DELETES SINCE LAST ISSUE .....

D	15	D	2162 3913	B	1 3 4			SCHEM-ADDR COMP 201	0.00	RF		
A	15	D	2857 2824	A	4 999 4			SCHEM-ADDR COMP 201	0.00	RF	ECN	10723

..... LAST LINE .....

PAGE 2

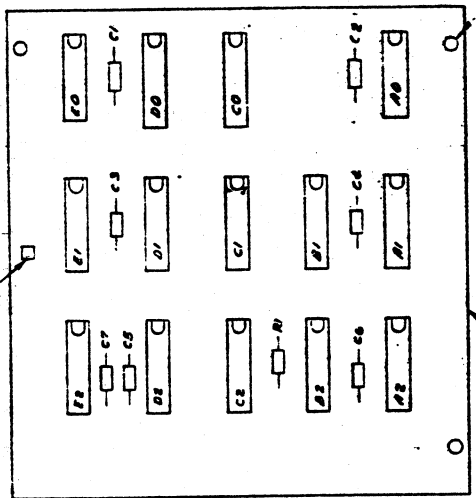
ASSEMBLY 2857 1610 ISSUE 4

214

REVISION: 1  
 NOY. CONT. DR. CHK. DRO. DATE  
 # 10538 108 1/6 1/6 1/6 1/6  
 INITIAL RELEASE  
 WMS: 2462 8276  
 THIS DRAWING SHOWS ITEM 17  
 RECEIVED BY ECM 10425

REF. DESIGNATION TABLE

ITEM NO.	REF. DES. OR LOC.
2	A2, B2
3	C2, D2, E2
4	C1, D1
5	A0
6	B1
7	A1
8	E1
9	B1
10	C1, C2, C3, C4, C5, C6
11	E0
12	D0, C0
16	C7



1 RUBBER STAMP PER LETTER  
 WITH 1/8 HIGH CHARACTERS APPROX. LINE SPACING  
 NOTES: UNLESS OTHERWISE SPECIFIED.

Supplies  
 DWBA ADDRESS COMPARE  
 C 2857 1610 A

ENGINEERING PARTS LIST REPORT

\*\*\* LAST CHANGE: 5 Apr, 1979 PRINTED: 5 Apr, 1979

TRAN	PART/DOC NUMBER	DT	DESCRIPTION	DRM SIZE	DRM REV	ISSUE	UOM	CLASS CODE	DOC CODE	ECT	ECNO	OSGN CNTL
2857	1776	PL	PWBA-P.A.R.	D	B	4	EA	2-7045-000	2	ECN	10917	027
TRAN	ITEN	DT	DRM PART/DOC SIZE NUMBER	DRM REV	ISSUE IN	DOC OUT CODE	DESCRIPTION	QUANTITY	UOM	ECT	ECNO	
	1	PL	D 2857 1784		4	999 2	PWB-PRST ADD RRG	1.00	EA	ECN	10917	
	2	S	2602 3283		1	999 0	DUAL 2/4 LINE 74S139	1.00	EA			
	3	S	1449 1260		1	999 0	HEX D FL-PLP 74174	1.00	EA			
	4		1269 6944		1	999 0	U/D COUNTER 74191	4.00	EA			
	5	S	A 2607 1803		1	999 0	IC 74LS54	1.00	EA			
	6	S	A 2607 1845		1	999 0	IC 74LS112	1.00	EA			
	7	S	A 2608 2073		1	999 0	IC 74LS157	4.00	EA			
	8	S	2300 5879		1	999 0	CAP, 0.1 UF 50V	11.00	EA			
	9	S	1267 9106		1	999 0	CAP, 4.7 UF 10V	1.00	EA			
	10	S	1111 8734		1	999 0	RES, 1K 1/4W 2%	1.00	EA			
	11	ST	1447 3524		1	999 0	IC 4-2IN AND 7408	1.00	EA			
	12	S	2156 6054		1	999 0	SPACER, MOD	2.00	EA			
	13	D	2857 1842	D	4	999 4	SCHEM P.A.R.	0.00	RF	ECN	10917	
	14	A	2162 1891		1	999 4	SPFC PERF-P.A.R.	0.00	RF			

PAGE 1

ASSEMBLY 2857 1776 ISSUE 4

216

ENGINEERING PARTS LIST REPORT

\*\*\* LAST CHANGE: 5 Apr, 1979 PRINTED: 5 Apr, 1979

TRAN	PART/DOC NUMBER	DT	DESCRIPTION	DRM SIZE	DRM REV	ISSUE	UOM	CLASS CODE	DOC CODE	ECT	ECNO	OSGN CNTL
2857	1776	PL	PWBA-P.A.R.	D	B	4	EA	2-7045-000	2	ECN	10917	027
TRAN	ITEN	DT	DRM PART/DOC SIZE NUMBER	DRM REV	ISSUE IN	DOC OUT CODE	DESCRIPTION	QUANTITY	UOM	ECT	ECNO	
	C 1	PL	D 2857 1784		1	3 2	PWB-PRST ADD RRG DS	1.00	EA			
	C 13	D	2857 1842	C	3	3 4	SCHEM P.A.R. DS	0.00	RF	ECN	10917	

\*\*\*\*\*ADDITIONS AND DELETES SINCE LAST ISSUE\*\*\*\*\*

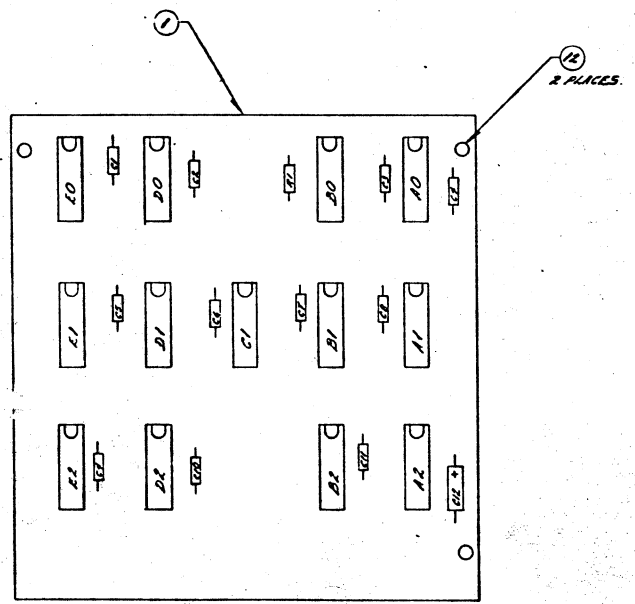
\*\*\*\*\* LAST LINE \*\*\*\*\*

PAGE 2

ASSEMBLY 2857 1776 ISSUE 4

REVISION	
REV. CONT.	OR CHG. AND DATE
A	REVISED DATE: 15 JUN 58
INITIAL RELEASE WASH: 2430058	
B	REVISED DATE: 15 JUN 58
DELETED D.S. FROM TITLE	

REF. DESIGNATION TABLE	
ITEM #	REF. DESIGNATION OR LOC.
1	BO
3	DO
7	A1, B1, C1, D1
5	E2
6	F1
7	A2, B2, D2, E2
8	C1 THRU C4
9	F2
10	F1
11	BO



- 3. SEE ITEM 14 ON P/L FOR PERFORMANCE SPEC.
- 2. SEE ITEM 13 ON P/L FOR SCHEMATIC.
- MARK ASSY N° AND ISSUE LEVEL, APPROX WHERE SHOWN, IN .12 HIGH GOTHIC CHARACTERS USING BLACK STENCIL INK.

NOTES: UNLESS OTHERWISE SPECIFIED.

SEE P/L

218

Burroughs		PLANT 877
DATE: 15 JUN 58	BY: [Signature]	MINICO
WORK CENTER: [Blank]	PERIPHERAL PRODUCTS GROUP	GLASS COCK
PROJECT: [Blank]	QUONACATA	2-1095
REVISION: [Blank]	PKBA, PRSNT ADD REG.	2-1095
APPROVED: [Signature]	15 JUN 58	218 111 D 2957 1776 B

ENGINEERING PARTS LIST REPORT

\*\*\*

LAST CHANGE: 14 Jul, 1978

PRINTED: 14 Jul, 1978

TRAN	PART/DOC NUMBER	DT	DESCRIPTION	DRW SIZE	DRW REV	ISSUE	UOM	CLASS CODE	DOC CODE	ECT	ECNO	OSGN CNTL	
2163	3532	PL	PWBA-WRITE ENCODER	D	B	5	EA	2-7045-000	2	ECN	10748	027	
TRAN	ITEM	DT	DRW SIZE	PART/DOC NUMBER	DRW REV	ISSUE IN	DOC OUT	CODE	DESCRIPTION	QUANTITY	UOM	ECT	ECNO
	1.	PL	D	2163 3540		1 999	2		PWB-WRITE ENCODER	1.00	EA		
	2	A		2606 9765		2 999	0		I.C. NAND 74S37	1.00	EA	ECN	10467
	3	ST		1447 3607		1 999	0		IC,DUAL D FF 7474	2.00	EA		
	4			2159 2720		1 999	0		QUAD ECL-TTL 10125	1.00	EA		
	5	S		1741 0663		1 999	0		IC 74H55J	1.00	EA		
	6	S	A	2607 1787		1 999	0		I.C.-74LS00	1.00	EA		
	7	S	A	2607 1803		1 999	0		I.C.-74LS04	1.00	EA		
	8	S	A	2607 1811		1 999	0		I.C. 74LS10	1.00	EA		
	9	S	A	2607 1829		1 999	0		I.C. 74LS27	1.00	EA		
	10	S	A	2607 1845		1 999	0		I.C. 74LS112	3.00	EA		
	11	S	A	2028 7041		1 999	0		I.C.-MC12061	1.00	EA		
	12	S		1446 7153		1 999	0		TRANS,2N2222A	1.00	EA		
	13	S		2300 5879		1 999	0		CAP 0.1 UF 50V	14.00	EA		
	14	S		1267 9106		1 999	0		CAP 4.7UF 10V	3.00	EA		

PAGE 1

ASSEMBLY 2163 3532 ISSUE 5

219

ENGINEERING PARTS LIST REPORT

\*\*\*

LAST CHANGE: 25 Jul, 1978

PRINTED: 25 Jul, 1978

TRAN	PART/DOC NUMBER	DT	DESCRIPTION	DRW SIZE	DRW REV	ISSUE	UOM	CLASS CODE	DOC CODE	ECT	ECNO	OSGN CNTL	
2163	3532	PL	PWBA-WRITE ENCODER	D	B	5	EA	2-7045-000	2	ECN	10748	027	
TRAN	ITEM	DT	DRW SIZE	PART/DOC NUMBER	DRW REV	ISSUE IN	DOC OUT	CODE	DESCRIPTION	QUANTITY	UOM	ECT	ECNO
	15	S		1111 8494		1 999	0		RES,100 I/4W 2%	2.00	EA		
	16	S		1111 8734		1 999	0		RES,1K 1/4W 2%	2.00	EA		
	17	S	A	2028 6639		1 999	0		CRYSTAL 6.144MHZ	1.00	EA		
	18	B		2857 1636		3 999	0		SPACER,MOD	2.00	EA	ECN	10545
	19	D		2161 7402	F	4 999	4		SCHEM-WRITE ENCODER	0.00	RF	ECN	10723
	20	A		2162 2766		1 999	4		SPS-WRITE ENCODER	0.00	RF		
	21	S		1111 8775		1 999	0		RES,1.47K 2% 1/4W	1.00	EA		
	22	S		1760 2616		1 999	0		DIODE,IN751A.5.1V	1.00	EA		

\*\*\*\*\* ADDITIONS AND DELETES SINCE LAST ISSUE\*\*\*\*\*

\*\*\*\*\* LAST LINE \*\*\*\*\*

PAGE 2

ASSEMBLY 2163 3532 ISSUE 5

220

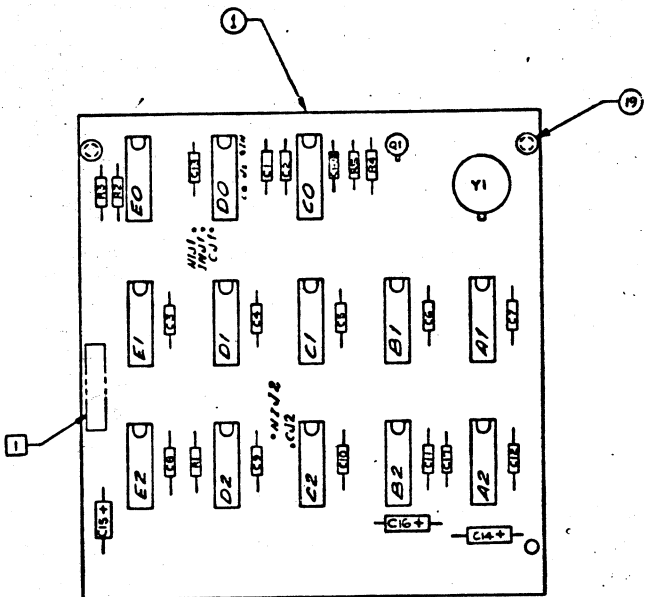
PWBA - WRITE ENCODER

REV. 107-0

REVISION				
REV	CONT	DE	CHK	APPRO DATE
A	ENHANCING	JUG	DD	
IT WAS: 2163 0702				
B	REV 107-0			

REF. DESIGNATION TABLE	
ITEM NO.	REF. DESIGNATION OR LOCATION
2	PC
3	C2, E2
4	E0
5	D2
6	E1
7	D1
8	B1
9	C1
10	A1, A2, B2
11	CO
12	Q1
13	C1 THRU C13, C17
14	C14, C15, C16
15	R2, R3
16	R1, R4
17	Y1
21	RS
22	CR1

3. SEE ITEM 20 ON P/L FOR PERFORMANCE SPEC.  
2. SEE ITEM 19 ON P/L FOR SCHEMATIC.  
1. MARK ASSY NO. AND ISSUE LEVEL, APPROX WHERE SHOWN, IN .12 HIGH GOTHIC CHARACTERS USING BLACK STENCIL INK.



3. SEE ITEM 20 ON P/L FOR PERFORMANCE SPEC.
  2. SEE ITEM 19 ON P/L FOR SCHEMATIC.
  1. MARK ASSY NO. AND ISSUE LEVEL, APPROX WHERE SHOWN, IN .12 HIGH GOTHIC CHARACTERS USING BLACK STENCIL INK.
- NOTES: UNLESS OTHERWISE SPECIFIED

SEE P/L

TOLERANCES UNLESS OTHERWISE SPECIFIED		DATE	
SIZE 1	SIZE 2	DATE	DATE
MATERIAL		DINER PAGE PRODUCTS	
RWAY VREAYREWH		WETLAKE VILLAGE CALIF 91380	
RWAY VREAYREWH		U.S. AMER. CA	
CLASS CODE		TITLE	
3-7085		PWBA WRITE ENCODER	
SCALE		SHEET	
2701		OF 1	
DWG NO		REV	
02163 3532		B	

DWG NO. 2163 3532 SHEET 1 OF 1

ENGINEERING PARTS LIST REPORT

\*\*\* LAST CHANGE: 14 Aug, 1979

PRINTED: 14 Aug, 1979

PART/DOC TRAN NUMBER	DT	DESCRIPTION	DRN SIZE	DRM REV	ISSUE	UOM	CLASS CODE	DOC CODE	ECT	ECNO	DSGN CNTL
2857 1685	MU	PNEA-TIMING/REC U	D	B	5	EA	2-7045-000	2	ECN	10965	829

TRAN ITEM	DT	DRM SIZE	PART/DOC NUMBER	DRM REV	ISSUE IN	DOC OUT CODE	DESCRIPTION	QUANTITY	UOM	ECT	ECNO
1	PL	D	2161 6131		5	999 2	PNE-TIMING/REC U	1.00	EA	ECN	62204
2		S	2158 5914		1	999 0	OP.AMP HA2-2515-5	1.00	EA		
3			2155 6394		1	999 0	PROG AMP 2405	1.00	EA		
4		S	2155 9679		1	999 0	IC 95115	1.00	EA		
5		S	2155 9687		1	999 0	IC 95231	1.00	EA		
6		S	2158 6029		1	999 0	IC MC1646L	1.00	EA		
7		S	2158 9106		1	999 0	CAP 7-40 PF 25V	1.00	EA		
8			1269 5243		1	999 0	CAP,15PF 20X 50V	1.00	EA		
9		S	1104 2835		1	999 0	CAP,330 PF 5X200V	1.00	EA		
10		A	2857 2121		2	999 0	CAP,1000 PF 5X 50V	3.00	EA	ECN	10611
11		S	1119 7753		1	999 0	CAP,.1UF,20X 25V	2.00	EA		
12		S	2300 5879		1	999 0	CAP 0.1 UF 50V	6.00	EA		
13		ST	1267 9031		1	999 0	CAP-1 UF 20X35V	2.00	EA		
14		S	1267 9106		1	999 0	CAP 4.7UF 10V	1.00	EA		

PAGE 1

ASSEMBLY 2857 1685 ISSUE 5

22 =

ENGINEERING PARTS LIST REPORT

\*\*\* LAST CHANGE: 14 Aug, 1979

PRINTED: 14 Aug, 1979

PART/DOC TRAN NUMBER	DT	DESCRIPTION	DRN SIZE	DRM REV	ISSUE	UOM	CLASS CODE	DOC CODE	ECT	ECNO	DSGN CNTL
2857 1685	MU	PNEA-TIMING/REC U	D	B	5	EA	2-7045-000	2	ECN	10965	829

TRAN ITEM	DT	DRM SIZE	PART/DOC NUMBER	DRM REV	ISSUE IN	DOC OUT CODE	DESCRIPTION	QUANTITY	UOM	ECT	ECNO
15		S	1111 8494		1	999 0	RES,100 1/4W 2X	3.00	EA		
16		S	1111 8528		1	999 0	RES,133 2X 1/4W	1.00	EA		
17		S	1111 8668		1	999 0	RES,511 1/4W 2X	6.00	EA		
18		S	1111 8734		1	999 0	RES, 1K 1/4W 2X	3.00	EA		
19		S	1111 8841		1	999 0	RES-2870 2X 1/4W	1.00	EA		
20		S	1111 8890		1	999 0	RES,4640 2X 1/4W	2.00	EA		
21		S	1111 8908		1	999 0	RES,5110 2X,1/4W	4.00	EA		
22		S	1111 8973		1	999 0	RES,10K 2X,1/4W	2.00	EA		
23		S	1111 8981		1	999 0	RES,11K 2X 1/4W	2.00	EA		
24		S	1111 8999		1	999 0	RES,12.1K 2X 1/4W	2.00	EA		
25		S	1111 9112		1	999 0	RES 38.3K 2X1/4W	2.00	EA		
26		S	1111 9146		1	999 0	RES,51.1K 2X,1/4W	2.00	EA		
27		S	1111 9104		5	999 0	RES,34.8K 2X 1/4W	1.00	EA	ECN	10965
28		S	1111 9195		1	999 0	RES,82.5K 2X 1/4W	1.00	EA		

PAGE 2

ASSEMBLY 2857 1685 ISSUE 5

22 =

ENGINEERING PARTS LIST REPORT

\*\*\* LAST CHANGE: 14 Aug, 1979

PRINTED: 14 Aug, 1979

PART/DOC	DT	DESCRIPTION	DRW SIZE	DRW REV	ISSUE	UCM	CLASS CODE	DJC CODE	ECT	ECNO	DSG CNT
2857 1685	MU	PWBA-TIMING/REC U	D	B	5	EA	2-7045-000	2	ECN	10965	829

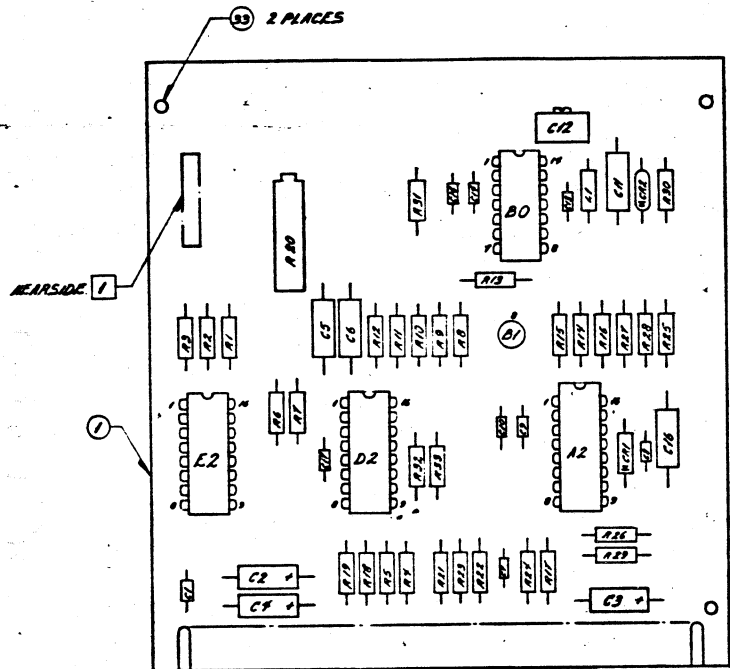
TRAN ITEM	DRW DT	PART/DOC SIZE NUMBER	DRW REV	ISSUE IN	DOC CUT	DESCRIPTION	QUANTITY	UOM	ECT	ECNO
29	S	1877 4323		1	999 0	POT 50K	1.00	EA		
30	S	1101 9692		1	959 0	INDUCTOR-6.8UH	1.00	EA		
31	S	1446 7245		1	999 0	DIODE,1N4448	1.00	EA		
32	S	2158 5831		1	999 0	DIODE MV1650	1.00	EA		
33	B	2857 1636	A	1	999 0	SPACER,MOD	2.00	EA	ECN	10545
34									ECN	10691
35		2160 0994	A	1	999 4	SPEC-PERF-TRU	0.00	RF		
36	D	2162 3962	D	5	999 4	SCH,TIM/REC UN 201	0.00	RF	ECN	10965

\*\*\*\*\*ADDITIONS AND DELETES SINCE LAST ISSUE\*\*\*\*\*

D	27	S	1111 9187		1	4 0	RES,75K 2%,1/4W	1.00	EA	
A	27	S	1111 9104		5	999 0	RES, 34.8K 2% 1/4W	1.00	EA	
C	36	D	2162 3962	C	4	4 4	SCH,TIM/REC UN 201	0.00	RF	ECN 10965

\*\*\*\*\*LAST LINE\*\*\*\*\*





ITEM N°	REFERENCE DESIGNATION
1	B1
2	B2
3	DE
4	DE
5	DE
6	BD
7	CA
8	CA
9	CB
10	CS, CE, CH
11	CD, CO
12	CI, CJ, CK, CM, CN, CO
13	CP, CQ
14	CR
15	AR, AS, AT
16	AR
17	AR, AS, AT, AV, AW, AX
18	AR, AS, AT
19	AR
20	AR, AS
21	AR, AS, AV, AX
22	AR, AS
23	AR, AS
24	AR, AS
25	AR, AS
26	AR, AS
27	AR
28	AR
29	AR
30	AR
31	CR
32	CR

REVISION

REV	CONT	DA	CHK	APPD	DATE
A	ECN R255	BAR			11/16/80
B	INITIAL RELEASE	WAS	R260	04/89	
C	TECH 10965	SCALE			10-11-79

CHANGE ON COMPONENT LOCATION TABLE

IN ITEM 26 WAS R1, R25

IN R6, R25

IN ITEM 27 WAS R6/15 R11

3. SEE ITEM 34 ON P/L FOR SCH.
  2. SEE ITEM 35 ON P/L FOR PREF. SPEC.
  - MARK ASSY N° AND ISSUE LEVEL N° APPROX. WHERE SHOWN USING 12 HIGH GOTHIC BLACK STENCIL INK CHARACTERS.
- NOTES: UNLESS OTHERWISE SPECIFIED.

225

QUANTITY UNLESS OTHERWISE SPECIFIED

REVISION: 257

DATE: 11/16/80

BY: [Signature]

APPROVED: [Signature]

PLANT: 001

CLASS: 000

SCALE: 1:1

PNBA TRIMMING RECON UNIT - 2-7095

2857 1685

ENGINEERING PARTS LIST REPORT

LAST CHANGE- 14 Jul, 1978

PRINTED- 14 Jul, 1978

TRAN NUMBER	PART/DOC	DT	DESCRIPTION	DRW SIZE	DRW REV	ISSUE	UOM	CLASS CODE	DOC CODE	ECT	ECNO	DSGN CNTL
2163 2682	PL		PNBA,DATA DISCRIM	D		A	4	EA	2-7045-000	2	ECN	10723 027

TRAN ITEM	DT	DRW SIZE	PART/DOC NUMBER	DRW REV	ISSUE IN	DOC OUT	CODE	DESCRIPTION	QUANTITY	UOM	ECT	ECNO
1	PL	D	2163 2690		1 999	2		PNB,DATA DISCRIMIN	1.00	EA		
2			2155 2104		1 999	0		IC,E.C.L. 10107	1.00	EA		
3		S	2155 9661		1 999	0		IC 95105	2.00	EA		
4		S	2155 9679		1 999	0		IC 95115	1.00	EA		
5		S	2155 9687		1 999	0		IC 95231	2.00	EA		
6	S	A	2028 8718		1 999	0		IC,ECL MULTI 10198	3.00	EA		
7		S	2300 5879		1 999	0		CAP 0.1 UF 50V	6.00	EA		
8		S	1267 9106		1 999	0		CAP 4.7UF 10V	1.00	EA		
9		S	2011 0086		1 999	0		CAP,240 PF + 2X	1.00	EA		
10		S	2011 0045		1 999	0		CAP,150 PF + 2X	1.00	EA		
11	S	A	2300 5507		1 999	0		CAP,270PF	1.00	EA		
12		S	2046 9698		1 999	0		DIODE,TYPE 1N914-A	1.00	EA		
13		S	1111 8494		1 999	0		RES,100 1/4W 2X	5.00	EA		
14		S	1111 8528		1 999	0		RES,133 2X 1/4W	1.00	EA		

PAGE 1

ASSEMBLY 2163 2682 ISSUE 4

226

ENGINEERING PARTS LIST REPORT

LAST CHANGE- 14 Jul, 1978

PRINTED- 14 Jul, 1978

TRAN NUMBER	PART/DOC	DT	DESCRIPTION	DRW SIZE	DRW REV	ISSUE	UOM	CLASS CODE	DOC CODE	ECT	ECNO	DSGN CNTL
2163 2682	PL		PNBA,DATA DISCRIM	D		A	4	EA	2-7045-000	2	ECN	10723 027

TRAN ITEM	DT	DRW SIZE	PART/DOC NUMBER	DRW REV	ISSUE IN	DOC OUT	CODE	DESCRIPTION	QUANTITY	UOM	ECT	ECNO
15		S	1111 8668		1 999	0		RES,511 1/4W 2X	27.00	EA		
16		A	2857 1933		3 999	3		SPEC,PERF-DTA DISC	0.00	RF	ECN	10559
17		S	2158 0618		1 999	0		VARIATOR,1K,3/4W	3.00	EA		
18		B	2857 1636		2 999	0		SPACER,MOD	2.00	EA	ECN	10545
19		S	1111 8601		1 999	0		RES,287,2X,1/4W	1.00	EA		
22		D	2162 4010	E	4 999	4		SCH,DATA DISCR 201	0.00	RF	ECN	10723

\*\*\*\*\*ADDITIONS AND DELETES SINCE LAST ISSUE\*\*\*\*\*

C	22	D	2162 4010	D	1	3	4	SCH,DATA DISCR 201	0.00	RF	ECN	10723
---	----	---	-----------	---	---	---	---	--------------------	------	----	-----	-------

\*\*\*\*\* LAST LINE \*\*\*\*\*

PAGE 2

ASSEMBLY 2163 2682 ISSUE 4

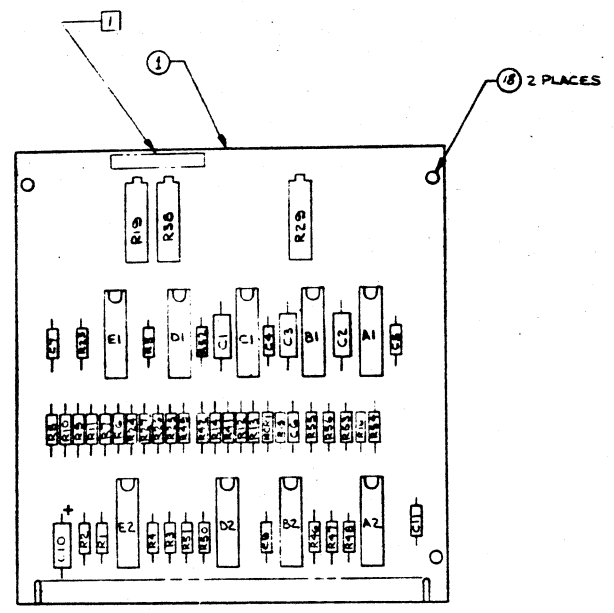
227

D 2163 2622 A 1001  
PWBA DATA DISCRIMINATOR

1 of 1 SHEET  
2072 572

REVISION	
REV.	CONT. OR CHG. APPD. DATE
A	ESN:CS:1
INITIAL RELEASE, RNS 21032144	

REF. DESIGNATION TABLE	
ITEM NO.	REF. DESIGNATION OR LOCATION
2	D1
3	E1, E2
4	E2
5	A2, B2
6	A1, B1, C1
7	C4, C5, C6, C7, C8, C11
8	C10
9	C1
10	C3
11	C2
12	C11
13	R1, R2, R3, R4, R5
14	R21
15	R6, R7, R8, R9, R10, R11, R12
16	R13, R14, R23, R24, R25, R26
17	R27, R41, R42, R46, R47, R48
18	R49, R50, R52, R53, R54, R55
19	R56, R18
17	R19, R29, R38
19	R16



3. SEE ITEM 16 ON P/L FOR PERFORMANCE SPEC.
  2. SEE ITEM 22 ON P/L FOR SCHEMATIC.
- 1 MARK ASSY NO. AND ISSUE LEVEL, APPROX WHERE SHOWN, IN .12 HIGH GOTHIC CHARACTERS USING BLACK STENCIL INK.

NOTES: UNLESS OTHERWISE SPECIFIED

**SEE P/L**

UNLESS OTHERWISE SPECIFIED		SEE P/L	
MATERIAL	FINISH	DATE	REV.
TREAT TREATMENT	PROCESS	DATE	REV.
SURFACE TREATMENT	FINISH	DATE	REV.
PROPERTY IS THE PROPERTY OF THE COMPANY. IT IS TO BE RETURNED TO THE COMPANY.		PROPERTY IS THE PROPERTY OF THE COMPANY. IT IS TO BE RETURNED TO THE COMPANY.	
TITLES		SCALE	
PWBA DATA DISCRIMINATOR		2701	
SHEET 1		REV. 1	
2163 2622		A	

ENGINEERING PARTS LIST REPORT

\*\*\* LAST CHANGE: 1 Jun, 1978

PRINTED: 1 Jun, 1978

PART/DOC TRAN NUMBER	DT	DESCRIPTION	DRW SIZE	DRW REV	ISSUE	UOM	CLASS CODE	DOC CODE	ECT	ECNO	DSGN CNTL
2163 1627	PL	PWBA-LPC CORRUTP	D		A	3	EA	2-7045-000	2	ECN	10733 02

TRAN	ITEM	DT	DRW SIZE	PART/DOC NUMBER	DRW REV	ISSUE IN	DOC OUT CODE	DESCRIPTION	QUANTITY	UOM	ECT	ECNO
1	PL	D		2163 1635		1 999	2	PWB-LPC CORRUP	1.00	EA		
2		A		1447 3698		1 999	0	IC EXCLVE DR 7486	1.00	EA		
3				2155 2112		1 999	0	IC,E-C-L. 10116	1.00	EA		
4	S	A		1745 5940		1 999	0	I.C.-10173	1.00	EA		
5	S	A		2607 1787		1 999	0	I.C.-74LS00	1.00	EA		
6	S	A		2607 1803		1 999	0	I C-74LS04	1.00	EA		
7	S	A		2607 1845		1 999	0	I.C. 74LS112	1.00	EA		
8	S	A		2608 2081		1 999	0	I.C. 74LS164	5.00	EA		
9		S		2300 5879		1 999	0	CAP 0.1 UF 50V	11.00	EA		
10		S		1267 9106		1 999	0	CAP 4.7UF 10V	2.00	EA		
11		S		1111 8668		1 999	0	RES,511 1/4W 2X	6.00	EA		
12		S		1111 8734		1 999	0	RES, 1K 1/4W 2X	1.00	EA		
13		B		2857 1636		2 999	0	SPACER,MOD	2.00	EA	ECN	10545
14		D		2161 7444	E	3 999	4	SCHEM-LPC CORRUP	0.00	RF	ECN	10733

PAGE 1

ASSEMBLY 2163 1627 ISSUE 3

229

ENGINEERING PARTS LIST REPORT

LATEST ISSUE

\*\*\* LAST CHANGE: 1 Jun, 1978

PRINTED: 1 Jun, 1978

PART/DOC TRAN NUMBER	DT	DESCRIPTION	DRW SIZE	DRW REV	ISSUE	UOM	CLASS CODE	DOC CODE	ECT	ECNO	DSGN CNTL
2163 1627	PL	PWBA-LPC CORRUTP	D		A	3	EA	2-7045-000	2	ECN	10733 027

TRAN	ITEM	DT	DRW SIZE	PART/DOC NUMBER	DRW REV	ISSUE IN	DOC OUT CODE	DESCRIPTION	QUANTITY	UOM	ECT	ECNO
15		A		2162 2436		1 999	4	SPS-LPC CORRUP	0.00	RF		
16		S		1111 8494		1 999	0	RES,100 1/4W 2X	2.00	EA		

\*\*\*\*\*ADDITIONS AND DELETES SINCE LAST ISSUE\*\*\*\*\*

C	14	D		2161 7444	D	1 2	4	SCHEM-LPC CORRUP	0.00	RF	ECN	10733
---	----	---	--	-----------	---	-----	---	------------------	------	----	-----	-------

\*\*\*\*\* LAST LINE \*\*\*\*\*

PAGE 2

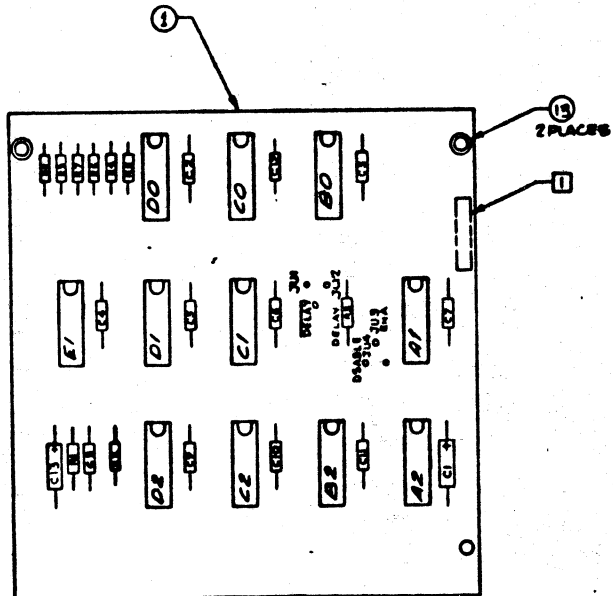
ASSEMBLY 2163 1627 ISSUE 3

231

REVISION				
REV	DATE	BY	CHK APPD	DATE
A	REVISION	BY	CHK APPD	DATE

INITIAL RELEASE WAS: 8145 0711

REF. DESIGNATION TABLE	
ITEM NO.	REF. DESIGNATION OR LOCATION
2	B0
4	E1
5	A2
6	B2
7	A1
8	C0, C1, C2, D1, D2
9	C3, C2, C3, C4, C5, C6, C7
10	C9, C10, C11, C12
11	R1, R2, R3 THRU R5
12	R3
16	R4, R5
3	DO



3. SEE ITEM 15 ON P/L FOR PERFORMANCE SPEC.
2. SEE ITEM 14 ON P/L FOR SCHEMATIC.

**1** MARK ASSY NO. AND ISSUE LEVEL, APPROX WHERE SHOWN, IN .12 HIGH GOTHIC CHARACTER'S USING BLACK STENCIL INK.

NOTES: UNLESS OTHERWISE SPECIFIED

**SEE P/L**

TITLE: <b>PWBA LPC CORRUPT</b> SCALE: 2:1 SHEET: 1 OF 1 PART NO: 21631627		DRAWN: [ ] DATE: 2-15-77 CHECKED: [ ] DATE: [ ] AUTH: [ ] DATE: [ ]	Burroughs Corporation WESTLASE PLANT WILMINGTON, DELAWARE U.S. AMERICA
MATERIAL: [ ] FINISH TREATMENT: [ ] SURFACE TREATMENT: [ ] DIMENSIONS UNLESS OTHERWISE SPECIFIED: [ ] TOLERANCES UNLESS OTHERWISE SPECIFIED: [ ]	PROJECT: [ ] DRAWING NO: [ ] SHEET: [ ] OF [ ] TITLE: [ ] SCALE: [ ] SHEET: [ ] OF [ ] PART NO: [ ]	PROJECT: [ ] DRAWING NO: [ ] SHEET: [ ] OF [ ] TITLE: [ ] SCALE: [ ] SHEET: [ ] OF [ ] PART NO: [ ]	PROJECT: [ ] DRAWING NO: [ ] SHEET: [ ] OF [ ] TITLE: [ ] SCALE: [ ] SHEET: [ ] OF [ ] PART NO: [ ]

ENGINEERING PARTS LIST REPORT

LAST CHANGE: 14 Jul, 1978

PRINTED: 14 Jul, 1978

PART/DOC TRAN NUMBER	DT	DESCRIPTION	DRW SIZE	DRW REV	ISSUE	UGM	CLASS CODE	DOC CCODE	ECT	ECNO	DSGN CNTL
2857 1677	MU	PNEA E C C GEN	0	A	2	EA	2-7045-000	2	ECN	10723	027

TRAN ITEM	DT	DRW SIZE	PART/DOC NUMBER	DRW REV	ISSUE IN	DOC OUT CODE	DESCRIPTION	QUANTITY	UGM	ECT	ECNO
1	PL	D	2161 5620		2	999 2	PWB-E C C GEN	1.00	EA	ECN	62202
2	S		1449 2052		1	999 0	IC,48 MAG COMP7485	2.00	EA		
3	S		2603 4843		1	999 0	IC,8-BIT PAR 74164	6.00	EA		
4	A		1449 1260		1	959 0	HEX D FL-FLP 74174	2.00	EA		
5	ST		2600 1487		1	999 0	IC,4-2IN NAN 745CG	1.00	EA		
6	A		1447 3698		1	959 0	IC EXCLVE OR 7486	2.00	EA		
7	ST		1447 3524		1	999 0	IC,4-2IN AND 7408	1.00	EA		
8	S		2601 9398		1	959 0	IC,2-4X1HUX745153	1.00	EA		
9	S		1111 8734		1	999 0	RES, 1K 1/4W 2X	4.00	EA		
10	S		2300 5879		1	999 0	CAP 0.1 UF 50V	11.00	EA		
11	ST		1267 9031		1	999 0	CAP-1 UF 20X35V	1.00	EA		
12	A		1447 1734		1	999 0	POST-MOD 2	3.00	EA		
13	B		2857 1636		1	959 0	SPACER,MOD	2.00	EA	ECN	10545
14	D		2160 8344	8	3	959 4	SCHEM,ECC GEN -32	6.00	RF	ECN	62840

PAGE 1

ASSEMBLY 2857 1677 ISSUE 2  
232

ENGINEERING PARTS LIST REPORT

LAST CHANGE: 14 Jul, 1978

PRINTED: 14 Jul, 1978

PART/DOC TRAN NUMBER	DT	DESCRIPTION	DRW SIZE	DRW REV	ISSUE	UGM	CLASS CODE	DOC CCODE	ECT	ECNO	DSGN CNTL
2857 1677	MU	PWBA E C C GEN	D	A	2	EA	2-7045-000	2	ECN	10723	027

TRAN ITEM	DT	DRW SIZE	PART/DOC NUMBER	DRW REV	ISSUE IN	DOC OUT CODE	DESCRIPTION	QUANTITY	UGM	ECT	ECNO
15	A		2161 0506	A	1	999 4	SPEC PERF-ECC GEN	0.00	RF		
16	D		2162 4069	B	2	959 4	SCHEM,ECC GEN 201	0.00	RF	ECN	10723

\*\*\*\*\*ADDITIONS AND DELETES SINCE LAST ISSUE\*\*\*\*\*

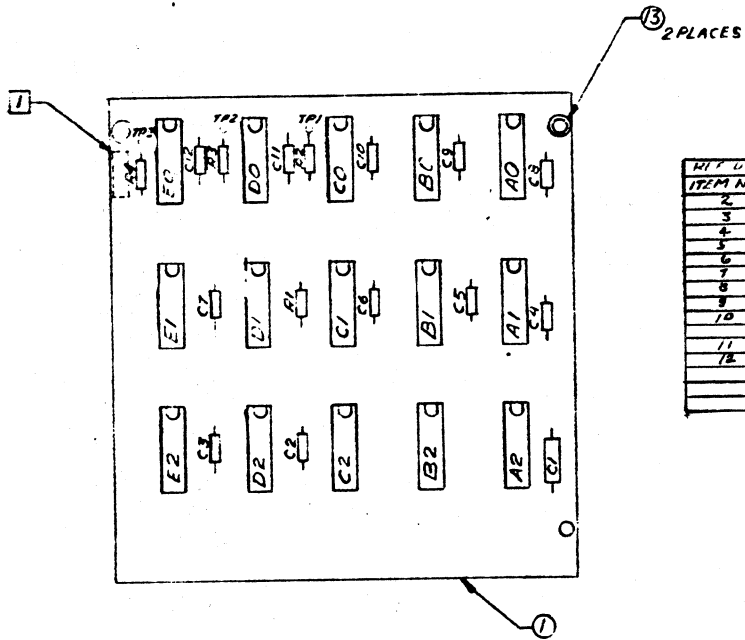
C	16	D	2162 4069	A	1	1	4	SCHEM-ECC GEN 201	0.00	RF	ECN 10723
---	----	---	-----------	---	---	---	---	-------------------	------	----	-----------

\*\*\*\*\*LAST LINE\*\*\*\*\*

PAGE 2

ASSEMBLY 2857 1677 ISSUE 2

REV	CONT	DR	CHK	DATE
A	ECC/10595	J.C.C.	11/14/54	11/14/54
INITIAL RELEASE WAS 21668310				



ITEM NO	REF DES OR LOC
2	D1, D2
3	B0, C0, C2, D0, E0, E1
4	B1, C1
5	B2
6	A0, A2
7	A1
8	E2
9	K1, R2, R3, R4
10	C0, C1, C2, C3, C4, C5, C6, C7
11	C1
12	TP1, TP2, TP3

3. SEE ITEM 15 ON P/L FOR PREF. SPEC.  
 2. SEE ITEM 14 ON P/L FOR SCHEMATIC.  
 □ MARK ASSY NO. AND ISSUE LEVEL NO. APPROX. WHERE SHOWN USING .12 HIGH GOTHIC BLACK STENCIL INK CHARACTERS.  
 NOTES: UNLESS OTHERWISE SPECIFIED.

SEE P/L

234

TOLERANCES UNLESS OTHERWISE SPECIFIED: DIMENSIONS .XXX" ANGLES ° FINISH: HEAT TREATMENT: SURFACE TREATMENT: PROPRIETARY TO BURROUGHS CORPORATION AND TO BE KEPT CONFIDENTIAL FOR MANUFACTURING PURPOSES EXCEPT BY BURROUGHS CORP. OR BY ITS AUTHORIZED AGENTS.	J10MCA 22/1/54 J10MCA 22/2/54 J10MCA 22/3/54 J10MCA 22/4/54 J10MCA 22/5/54 J10MCA 22/6/54 J10MCA 22/7/54 J10MCA 22/8/54 J10MCA 22/9/54 J10MCA 22/10/54 J10MCA 22/11/54 J10MCA 22/12/54 J10MCA 22/13/54 J10MCA 22/14/54 J10MCA 22/15/54 J10MCA 22/16/54 J10MCA 22/17/54 J10MCA 22/18/54 J10MCA 22/19/54 J10MCA 22/20/54 J10MCA 22/21/54 J10MCA 22/22/54 J10MCA 22/23/54 J10MCA 22/24/54 J10MCA 22/25/54 J10MCA 22/26/54 J10MCA 22/27/54 J10MCA 22/28/54 J10MCA 22/29/54 J10MCA 22/30/54 J10MCA 22/31/54 J10MCA 22/32/54 J10MCA 22/33/54 J10MCA 22/34/54 J10MCA 22/35/54 J10MCA 22/36/54 J10MCA 22/37/54 J10MCA 22/38/54 J10MCA 22/39/54 J10MCA 22/40/54 J10MCA 22/41/54 J10MCA 22/42/54 J10MCA 22/43/54 J10MCA 22/44/54 J10MCA 22/45/54 J10MCA 22/46/54 J10MCA 22/47/54 J10MCA 22/48/54 J10MCA 22/49/54 J10MCA 22/50/54 J10MCA 22/51/54 J10MCA 22/52/54 J10MCA 22/53/54 J10MCA 22/54/54 J10MCA 22/55/54 J10MCA 22/56/54 J10MCA 22/57/54 J10MCA 22/58/54 J10MCA 22/59/54 J10MCA 22/60/54 J10MCA 22/61/54 J10MCA 22/62/54 J10MCA 22/63/54 J10MCA 22/64/54 J10MCA 22/65/54 J10MCA 22/66/54 J10MCA 22/67/54 J10MCA 22/68/54 J10MCA 22/69/54 J10MCA 22/70/54 J10MCA 22/71/54 J10MCA 22/72/54 J10MCA 22/73/54 J10MCA 22/74/54 J10MCA 22/75/54 J10MCA 22/76/54 J10MCA 22/77/54 J10MCA 22/78/54 J10MCA 22/79/54 J10MCA 22/80/54 J10MCA 22/81/54 J10MCA 22/82/54 J10MCA 22/83/54 J10MCA 22/84/54 J10MCA 22/85/54 J10MCA 22/86/54 J10MCA 22/87/54 J10MCA 22/88/54 J10MCA 22/89/54 J10MCA 22/90/54 J10MCA 22/91/54 J10MCA 22/92/54 J10MCA 22/93/54 J10MCA 22/94/54 J10MCA 22/95/54 J10MCA 22/96/54 J10MCA 22/97/54 J10MCA 22/98/54 J10MCA 22/99/54 J10MCA 22/100/54	Burroughs REGIONAL PRODUCTS GROUP CINCINNATI, OHIO FILE PWBA, ECC GENERATOR SCALE: 1:1 DATE: 1/1/54 C NO: 2857 1677 A	PLANT 100 PART NO. 12-7015
---	--	---	----------------------------------

4

3

2

1

A

B

↑

C

D

ENGINEERING PARTS LIST REPORT

... LAST CHANGE: 14 Jul, 1978

PRINTED: 14 Jul, 1978

PART/DOC		DT	DESCRIPTION	DRN	DRN REV	ISSUE	UOM	CLASS CODE	DOC	ECT	ECNO	DSGN CNTL
TRAN NUMBER	NUMBER			SIZE					CODE			
2857	1255	PL	PWBA-ECC TIMING	D	A	3	EA	2-7045-000	2	ECN	10723	027

TRAN	ITEM	DT	DRN SIZE	PART/DOC NUMBER	DRN REV	ISSUE IN	DOC OUT	CODE	DESCRIPTION	QUANTITY	UOM	ECT	ECNO
1		PL	D	2857 1313		1 999	2		PWB-ECC TIMING	1.00	EA	ECN	10497
2		ST		1447 3524		1 999	0		IC, 4-2IN AND 7408	1.00	EA		
3				2155 6386		1 999	0		IC, 10124	1.00	EA		
4		S	A	1269 7819		1 999	0		IC, 74LS163	3.00	EA		
5		S		1449 1278		1 999	0		IC QUAD D FF 74175	1.00	EA		
6		S	A	2607 1803		1 999	0		IC-74LS04	5.00	EA		
7			A	2607 1837		1 999	0		IC 74LS37	1.00	EA		
8		S	A	2607 1845		1 999	0		I.C. 74LS112	5.00	EA		
9		S		2300 5879		1 999	0		CAP 0.1 UF 50V	11.00	EA		
10		S		1267 9106		1 999	0		CAP 4.7UF 10V	2.00	EA		
11		S		1111 8668		1 999	0		RES, 511 1/4W 2%	9.00	EA		
12		S		1111 8908		2 999	0		RES, 5110 2%, 1/4W	2.00	EA	ECN	10464
13			A	2205 4837		1 999	0		SWTICH, TOGGLE SPOT	1.00	EA		
14			B	2857 1636		2 999	0		SPACER, MOD	2.00	EA	ECN	10545

PAGE 1

ASSEMBLY 2857 1255 ISSUE 3

235

ENGINEERING PARTS LIST REPORT

... LAST CHANGE: 14 Jul, 1978

PRINTED: 14 Jul, 1978

PART/DOC		DT	DESCRIPTION	DRN	DRN REV	ISSUE	UOM	CLASS CODE	DOC	ECT	ECNO	DSGN CNTL
TRAN NUMBER	NUMBER			SIZE					CODE			
2857	1255	PL	PWBA-ECC TIMING	D	A	3	EA	2-7045-000	2	ECN	10723	027

TRAN	ITEM	DT	DRN SIZE	PART/DOC NUMBER	DRN REV	ISSUE IN	DOC OUT	CODE	DESCRIPTION	QUANTITY	UOM	ECT	ECNO
15		D		2162 0620	E	3 999	4		SCHEM-ECC TIMING	0.00	RF	ECN	10723
16		A		2162 2816	A	1 999	4		SPS-ECC TIMING	0.00	RF		

\*\*\*\*\* ADDITIONS AND DELETES SINCE LAST ISSUE \*\*\*\*\*

C 15 D 2162 0620 D 1 2 4 SCHEM-ECC TIMING 0.00 RF ECN 10723

\*\*\*\*\* LAST LINE \*\*\*\*\*

PAGE 2

ASSEMBLY 2857 1255 ISSUE 3

236





ENGINEERING PARTS LIST REPORT

LAST CHANGE: 15 Feb, 1979

PRINTED: 15 Feb, 1979

PART/DOC	DT	DESCRIPTION	DRW	DRW	ISSUE	UOM	CLASS CODE	DOC	ECT	ECNO	DSGN
TRAN NUMBER	SIZE		SIZE	REV				CCODE			CATL
2857 3640	FL	PMBA,R/W MACHINE	D	A	1	EA	2-7045-000	2	ECN	10884	027

TRAN	ITEM	DT	DRW	PART/DOC	DESCRIPTION	DRW	ISSUE	DOC	QUANTITY	UOM	ECT	ECNO
			SIZE	NUMBER		REV	IN	OUT				
							IK	CCODE				
	1	PL	D	2163 1296			1	999 2	1.00	EA		
	2	S		2047 7717			1	999 0	3.00	EA		
	3	S		2603 6653			1	999 0	1.00	EA		
	4	A		1447 3698			1	999 0	1.00	EA		
	5	A		1269 7744			1	999 0	2.00	EA		
	6	ST		1269 7140			1	999 0	2.00	EA		
	7	S	A	2608 6280			1	999 0	1.00	EA		
	8	ST		2602 9652			1	999 0	2.00	EA		
	9	S		2300 5879			1	999 0	10.00	EA		
	10	ST		1267 9031			1	999 0	1.00	EA		
	11	S		1111 8973			1	999 0	1.00	EA		
	12	S		1111 8734			1	999 0	1.00	EA		
	13	S		2205 6196			1	999 0	1.00	EA		
	14	S		2155 9646			1	999 0	11.00	EA		

PAGE 1

ASSEMBLY 2857 3640 ISSUE 1

238.

ENGINEERING PARTS LIST REPORT

LAST CHANGE: 15 Feb, 1979

PRINTED: 15 Feb, 1979

PART/DOC	DT	DESCRIPTION	DRW	DRW	ISSUE	UOM	CLASS CODE	DOC	ECT	ECNO	DSGN
TRAN NUMBER	SIZE		SIZE	REV				CCODE			CATL
2857 3640	PL	PMBA,R/W MACHINE	D	A	1	EA	2-7045-000	2	ECN	10884	027

TRAN	ITEM	DT	DRW	PART/DOC	DESCRIPTION	DRW	ISSUE	DOC	QUANTITY	UOM	ECT	ECNO
			SIZE	NUMBER		REV	IN	OUT				
							IK	CCODE				
	15	A		2205 4837			1	999 0	1.00	EA		
	16	S	A	2205 8630			1	999 0	1.00	EA		
	17	B		2857 1636			1	999 0	2.00	EA		
	18	D		2857 3665		A	1	999 4	0.00	RF		
	19	A		2162 2444		B	1	999 4	0.00	RF		
	20	S	A	2607 1787			1	999 0	1.00	EA		
	21	S	A	1111 8908			4	999 0	1.00	EA		

\*\*\*\*\* ADDITIONS AND DELETES SINCE LAST ISSUE \*\*\*\*\*

\*\*\*\*\* LAST LINE \*\*\*\*\*

PAGE 2

ASSEMBLY 2857 3640 ISSUE 1



ENGINEERING PARTS LIST REPORT

\*\*\* LAST CHANGE: 7 Dec, 1978

PRINTED: 7 Dec, 1978

TRAN	PART/DOC NUMBER	DT	DESCRIPTION	DRM SIZE	DRM REV	ISSUE	UOM	CLASS CODE	DOC CODE	ECT	ECNO	DSGN CNTL
2857	2584	PL	ASSY-PDLE CARD I	C	B	2	EA	2-1531-000	2	ECN	10761	027

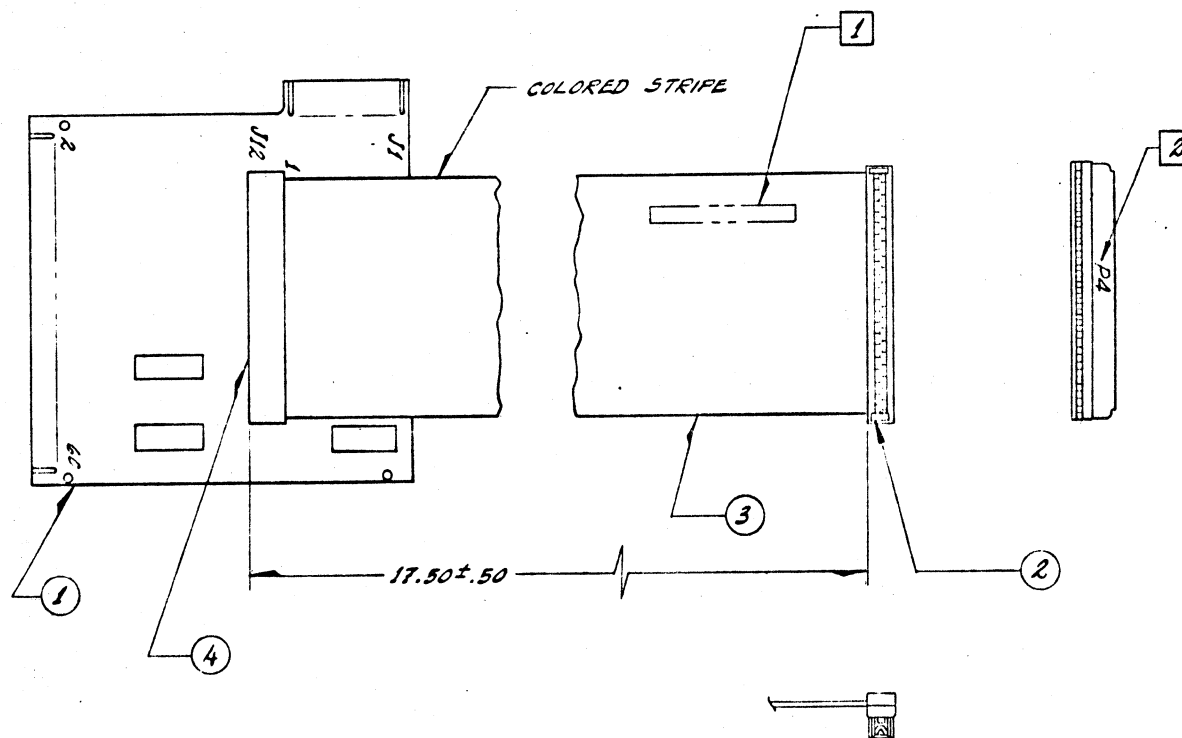
TRAN	ITEM	DT	DRM SIZE	PART/DOC NUMBER	DRM REV	ISSUE IN	DOC OUT CODE	DESCRIPTION	QUANTITY	UOM	ECT	ECNO
	1	PL	D	2857 2527		2	999 2	PWBA-PDLE CARD I	1.00	EA	ECN	10761
	2	S		2857 2592		1	999 0	RECEPTACLE CONN 60 POS	1.00	EA		
	3	S		2857 2667		1	999 0	CABLE FLT 60 CON D	17.50	IN		
	4	S		2857 2600		1	999 0	PDLE BRD PLUG C/60POS	1.00	EA		

\*\*\*\*\* ADDITIONS AND DELETES SINCE LAST ISSUE \*\*\*\*\*

C	1	PL	D	2857 2527		1	1 2	PWBA-PDLE CARD I DS	1.00	EA	ECN	10761
---	---	----	---	-----------	--	---	-----	---------------------	------	----	-----	-------

\*\*\*\*\* LAST LINE \*\*\*\*\*

REVISION					
NO	CONT	DR	CHK	APPD	DATE
A	REV 1733	P.S.			2/15/77
INITIAL REVISION					
B ECONOMI DY					
DELETED D.S. FROM TITLE					



- 2 MARK REF DESIGNATION USING .12 HIGH BLACK STENCIL INK  
GOTHIC CHARACTERS APPROX AS SHOWN.
- 1 MARK BUREAUX ASSY NO AND ISSUE LEVEL USING .12 HIGH  
BLACK STENCIL INK GOTHIC CHARACTERS APPROX WHERE SHOWN
- NOTES: UNLESS OTHERWISE SPECIFIED

SEE P/L

Burrhead		Burrhead	
MATERIAL		PERIPHERAL PRODUCTS GROUP	
PART NO		GUYANA AND JAMAICA	
DATE		2-15-77	
REV		ASSY, FIDDLE CARD I	
REV		2-15-77	
REV		1:1 (1) SPEC NO 2857 2584	

PROPERTY OF BURROUGHS CORPORATION NOT TO BE REPRODUCED OR TRANSMITTED IN ANY FORM OR BY ANY MEANS WITHOUT THE WRITTEN PERMISSION OF BURROUGHS CORPORATION

ENGINEERING PARTS LIST REPORT

... LAST CHANGE: 7 Dec, 1978

PRINTED: 7 Dec, 1978

TRAK NUMBER	PART/DOC	DT	DESCRIPTION	DRW SIZE	DRW REV	ISSUE	UOM	CLASS CODE	DOC CODE	ECT	ECNO	DSGN CNTL
2857 2527	PL		PWBA-PDLE CARD I	D	B	3	EA	2-7045-000	2	ECN	10761	027

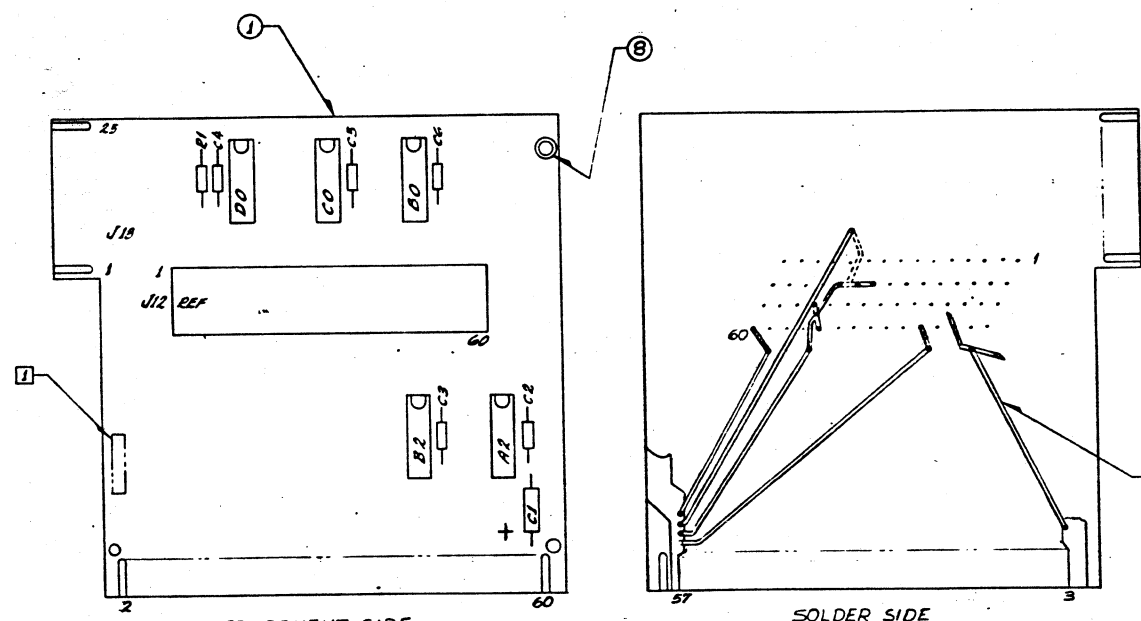
TRAN	ITEM	DT	DRW SIZE	PART/DOC NUMBER	DRW REV	ISSUE IN	DOC OUT	CODE	DESCRIPTION	QUANTITY	UOM	ECT	ECNO
1	PL	D		2857 2550		3	999	2	PWB-PDLE CARD I	1.00	EA	ECN	10761
2	S	A		2607 1787		1	999	0	I.C. 74LS00	1.00	EA		
3	S	A		2607 1803		1	999	0	I.C. 74LS04	1.00	EA		
4	S			1447 3771		1	999	0	I.C. 4B BI-CNTR 74161	3.00	EA		
5	S			2300 5879		1	999	0	CAP 0.1 UF 50V	5.00	EA		
6	S			1267 9106		1	999	0	CAP 417 MF 10V	1.00	EA		
7	S			1111 8734		1	999	0	RES, 1K 1/4W 2%	1.00	EA		
8		B		2857 1636		1	999	0	SPACER, MOD	1.00	EA		
9		D		2857 2576	C	3	999	4	SCHEM-PDLE CD I	0.00	RF	ECN	10761
10		A		2162 2782	D	3	999	4	SPS PDLE CARD I	0.00	RF	ECN	10761
11		S		2206 8712		1	999	0	WIRE, 20 AWG, INS	1.5	FT		

\*\*\*\*\* ADDITIONS AND DELETES SINCE LAST ISSUE \*\*\*\*\*

C	1	PL	D	2857 2550		1	2	2	PWB-PDLE CARD I DS	1.00	EA		
C	9		D	2857 2576	B	1	2	4	SCHEM-PLE CD I DS	0.00	RF		
C	10		A	2162 2782	C	1	2	4	SPS PDLE CARD I	0.00	RF	ECN	10761

\*\*\*\*\* LAST LINE \*\*\*\*\*

REV	DATE	BY	APP	REASON
A	10/23/57	RES	WLS	INITIAL RELEASE
B	10/25/57	OV	WLS	DELETED D'S FROM TITLE



ITEM NO	REF DESIGNATION OR LOCATION
1	A2
2	B2
3	B2
4	B2, C0, D0
5	C2, C3, C4, C5, C6
6	C1
7	E1

- 3-SEE ITEM 10 ON P/L FOR PERFORMANCE SPEC.
- 2-SEE ITEM 9 ON P/L FOR SCHEMATIC
- 1 MARK ASSY NO. AND ISSUE LEVEL, APPROX VALUE SHOWN, IN .12 HIGH GOTHIC CHARACTERS USING BLACK STENCIL INK

NOTES : UNLESS OTHERWISE SPECIFIED

SEE P/L

244

**Burroughs**

PERIPHERAL PRODUCTS GROUP  
GUADALAJARA, MEXICO

PLANT 07  
MEXICO

SCALE: SHEET LONG DIMS  
1" = 1" UNLESS OTHERWISE SPECIFIED

NO. 2857 2527

ENGINEERING PARTS LIST REPORT

PRINTED: 13 Jul, 1978

LAST CHANGE: 13 Jul, 1978

TRAN NUMBER	PART/DOC	DT	DESCRIPTION	DRW SIZE	DRW REV	ISSUE	UOM	CLASS CODE	DOC CODE	ECT	ECNO	DSGN CNTL
2163 0538	PL		ASSY-PDL CARD 2 SS	C	C	3	EA	2-1531-000	2	ECN	10643	027

TRAN ITEM	DT	DRW SIZE	PART/DOC NUMBER	DRW REV	ISSUE IN	DOC OUT CODE	DESCRIPTION	QUANTITY	UOM	ECT	ECNO
1	PL	D	2162 2931		1	999 2	PWBA-PDL CARD 2 SS	1.00	EA		
2		S	2160 3998		2	999 0	CABLE 171-26	2.00	FT	ECN	10595
3			2159 6473		1	999 0	CONNECTOR 26 PIN	1.00	EA		
4		S	2857 2287		3	999 0	P.B. PLUG CONN 26 PIN	1.00	EA	ECN	10643

..... ADDITIONS AND DELETES SINCE LAST ISSUE.....

A	4		S	2857 2287		3	999 0	P.B. PLUG CONN 60 PIN	1.00	EA	ECN	10743
---	---	--	---	-----------	--	---	-------	-----------------------	------	----	-----	-------

..... LAST LINE .....



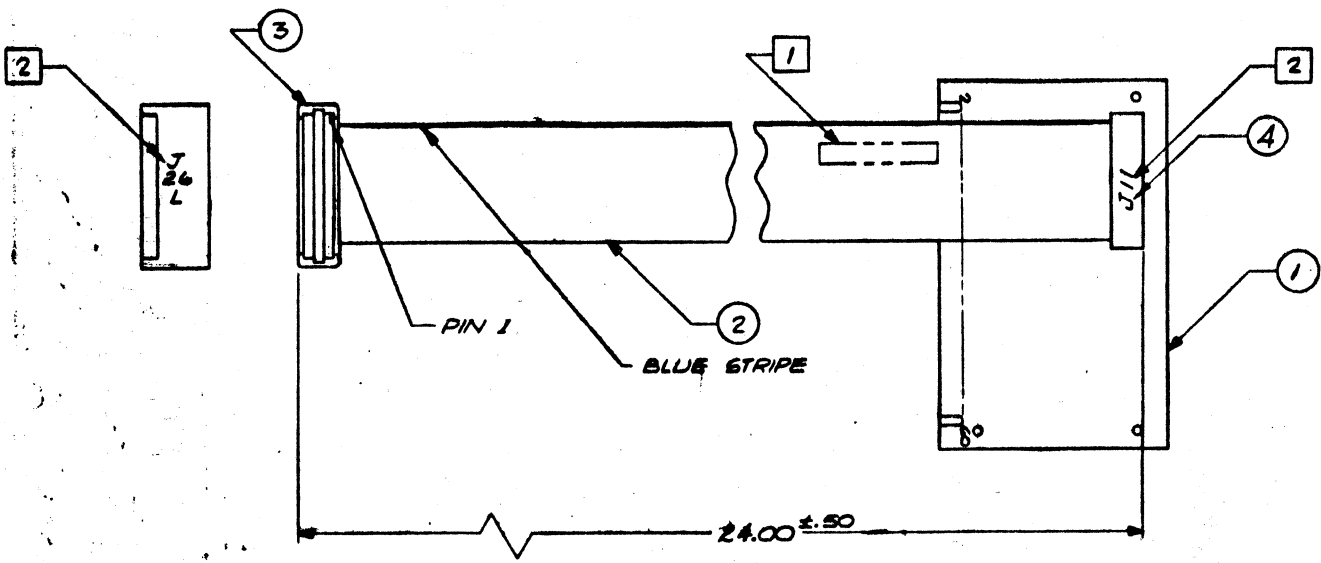
4

3

2

1

ZONE	REVISION				
	REV	CONT	DR	CHK	DATE
	A	ECN63098	33	R.T.	12/13/77
	INITIAL RELEASE				
	B	ECN10595	A.S.	J.H.B.	12/16/77
	LONG WAS 32, 15 RA LOC. B-3				
	C	ECN10643	etc	etc	12/24/77
c12	ADDED ITEM 4				



- 3. DESIGNATIONS ARE FOR REF ONLY.
- 2 MARK REF DESIGNATIONS USING .12 HIGH BLACK STENCIL INK GOTHIC CHARACTERS APPROX WHERE SHOWN.
- 1 MARK BURROUGHS ASSY NO AND ISSUE LEVEL USING .12 HIGH GOTHIC BLACK STENCIL INK CHARACTERS APPROX WHERE SHOWN.

NOTES : UNLESS OTHERWISE SPECIFIED

SEE P/L

DWG NO. 2163 0538  
SHEET/OF

GEN QUAL SPECS 1183 5543 APPLY

TOLERANCES UNLESS OTHERWISE SPECIFIED		DRAWN		DATE		Burroughs Corporation	
.XX ±	ANGLES ±	J. Stinson	1-24-77			WESTLAKE PLANT	
MATERIAL		DATE	DATE	DISK PACK PRODUCTS		WESTLAKE VILLAGE, CALIF. 91380	
HEAT TREATMENT		DATE	DATE	TITLE		U.S. AMERICA	
SURFACE TREATMENT		DATE	DATE	ASSY. PADDLE CARD 2, S.S.			
CLASS. CODE		DATE	DATE	SCALE	SHEET / OF	DWG NO.	REV
PROPRIETARY TO BURROUGHS CORPORATION. NOT TO BE REPRODUCED NOR USED FOR MANUFACTURING PURPOSES WITHOUT WRITTEN ORDER OR PERMISSION OF BURROUGHS CORPORATION.		1/1	1/1	1/1	1/1	2163 0538	C

4

3

2

A

ENGINEERING PARTS LIST REPORT

\*\*\* LAST CHANGE: 14 Jul, 1978

PRINTED: 14 Jul, 1978

TRAK NUMBER	PART/DOC	DT	DESCRIPTION	DRM SIZE	CRV REV	ISSUE	UOM	CLASS CODE	DCC CODE	ECT	ECNO	DSGN CNTL
2162 2931	PL		PMBA-PDL CARD 2 SS	D		B 5	EA	2-7045-000	2	ECN	10723	027

TRAN ITEM	DT	DRM SIZE	PART/DOC NUMBER	DRM REV	ISSUE IN	DOC OUT	DESCRIPTION	QUANTITY	UOM	ECT	ECNO
1	PL	D	2161 7477		1 999	2	PMB-PADDLE CARD 2	1.00	EA		
2											ECN 10643
3		D	2161 7493	D	5 999	4	SCHEM PADDLE CD 2	0.00	RF	ECN	10723

\*\*\*\*\*ADDITIONS AND DELETES SINCE LAST ISSUE\*\*\*\*\*

C	3	D	2161 7493	C	3 4	4	SCHEM-PADDLE CD 2	0.00	RF	ECN	10723
---	---	---	-----------	---	-----	---	-------------------	------	----	-----	-------

\*\*\*\*\*LAST LINE\*\*\*\*\*



**ENGINEERING PARTS LIST REPORT**

\*\*\* LAST CHANGE: 13 Jul, 1978

PRINTED: 13 Jul, 1978

PART/DOC TRAN NUMBER	DT	DESCRIPTION	DRW SIZE	DRW REV	ISSUE	UOM	CLASS CODE	DOC CODE	ECT	ECNO	DSGN CNTL
2163 0520	PL	ASSY-PDL CARD 2 DS	C	C	3	EA	2-1531-000	2	ECN	10643	027

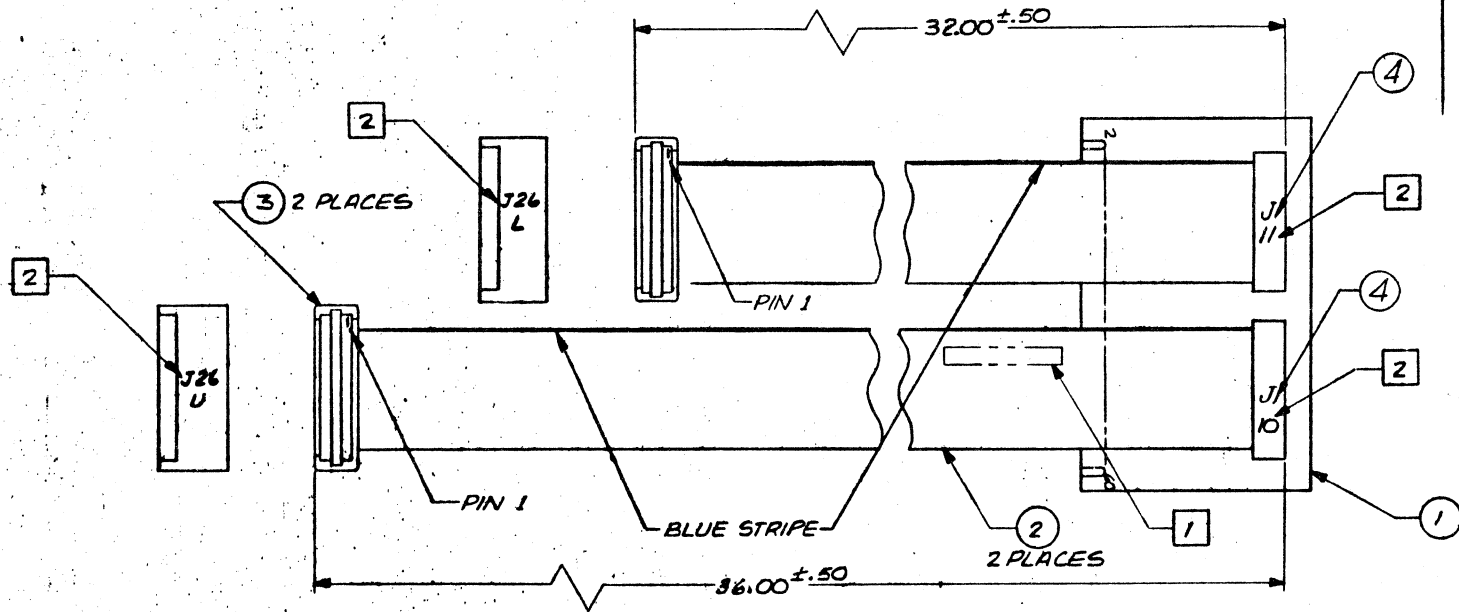
TRAN	ITEM	DT	DRW SIZE	PART/DOC NUMBER	DRW REV	ISSUE IN	DOC OUT CODE	DESCRIPTION	QUANTITY	UOM	ECT	ECNO
1		PL	D	2162 2949		1	999 2	PWBA-PDL CARD 2 DS	1.00	EA		
2			S	2160 3998		2	999 0	CABLE 171-26	5.67	FT	ECN	10595
3				2159 6473		1	999 0	CONNECTOR 26 PIN	2.00	EA		
4		S		2857 2287		3	999 0	P.B. PLUG CONN, 26 PIN	2.00	EA	ECN	10643

\*\*\*\*\* ADDITIONS AND DELETES SINCE LAST ISSUE \*\*\*\*\*

A	4		S	2857 2287		3	999 0	P.B. PLUG CONN, 26 PIN	2.00	EA	ECN	10643
---	---	--	---	-----------	--	---	-------	------------------------	------	----	-----	-------

\*\*\*\*\* LAST LINE \*\*\*\*\*

REVISION					
REV	CONT	DR	CHK	APPD	DATE
A	ECN 63098	89	R.T.	RZ	1/21/77
INITIAL RELEASE					
B	ECN 10535	A.S.	T.M.B.	9/2	XII 67
LONG WAVE: 42.00					
15: 36.00					
LOC. B3 / D2					
C	ECN 10643	86	H	9/2	27 JUN 77
ADDED ITEM 4					



SEE P/L

3. DESIGNATIONS ARE FOR REF ONLY.

- 2 MARK REF DESIGNATIONS USING .12 HIGH GOTHIC BLACK STENCIL INK CHARACTERS APPROX WHERE SHOWN.
- 1 MARK BURROUGHS ASSY NO AND ISSUE LEVEL USING .12 HIGH GOTHIC BLACK STENCIL INK CHARACTERS APPROX WHERE SHOWN.

NOTES: UNLESS OTHERWISE SPECIFIED

GEN QUAL SPECS 1163 8543 APPLY

TOLERANCES UNLESS OTHERWISE SPECIFIED		DRAWN		DATE		Burroughs Corporation		DISK PACK PRODUCTS WESTLAKE VILLAGE, CALIF. 91380		WESTLAKE PLANT U.S. AMERICA	
XX ±	XXX ±	J. GOLDEN		1-24-77							
MATERIAL		CHECKED		DATE		TITLE		SCALE		SHEET	
HEAT TREATMENT		DSON OR ENGR		DATE		ASSEMBLY PADDLE CARD 2, D.S.		OF 1		250	
SURFACE TREATMENT		APPROVED		DATE		REV		C 2163 0520		C	
CLASS CODE		DATE		DATE		DATE		DATE		DATE	
2-12-81		X		1/80		1/80		1/80		1/80	
<small>PROPRIETARY TO BURROUGHS CORPORATION NOT TO BE REPRODUCED NOR USED FOR MANUFACTURING PURPOSES EXCEPT ON BURROUGHS ORDER OR PRIOR WRITTEN CONSENT</small>											

ENGINEERING PARTS LIST REPORT

\*\*\* LAST CHANGE: 14 Jul, 1978

PRINTED: 14 Jul, 1978

TRAN	PART/DOC NUMBER	DT	DESCRIPTION	DRW SIZE	CRV REV	ISSUE	UOM	CLASS CODE	DOC CODE	ECT	ECNO	DSGN CNTL
	2162 2949	PL	PNBA-PDL CARD 2 DS	C	B	5	EA	2-7045-000	2	ECN	10723	027

TRAN	ITEM	DT	DRW SIZE	PART/DOC NUMBER	DRW REV	ISSUE IN	DOC OUT	CLOS	DESCRIPTION	QUANTITY	UOM	ECT	ECNO
	1	PL	D	2161 7477		1	999	2	PNB-PADDLE CARD 2	1.00	EA		
	2												ECN 10643
	3	D		2161 7493	D	5	999	4	SCHEM PADDLE CD 2	0.00	RF	ECN	10723

\*\*\*\*\*ADDITIONS AND DELETES SINCE LAST ISSUE\*\*\*\*\*

C	3	D		2161 7493	C	3	4	4	SCHEM-PADDLE CD 2	0.00	RF	ECN	10723
---	---	---	--	-----------	---	---	---	---	-------------------	------	----	-----	-------

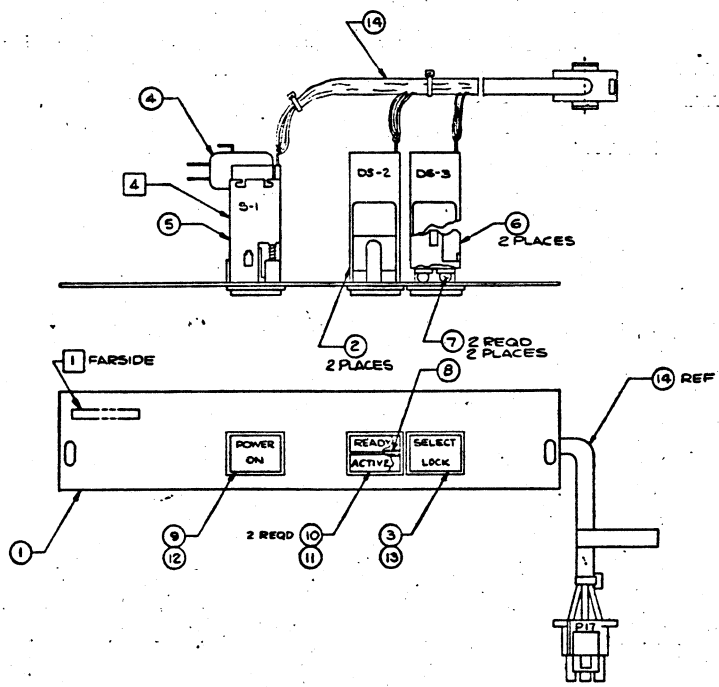
\*\*\*\*\*LAST LINE\*\*\*\*\*



VTSSV PANEL SWITCH

1 20 1 12388  
5908 2-17-70 2

REVISION			
REV	CONT	DR	CHK APP'D DATE
A	SCHEMATIC	SS	J.T. CC 2/27/70
INITIAL RELEASE			
B	CONSTRUCTION	SS	J.L. RW/DP
ON THE LOCATION B5/B6 CHANGE FROM LEADY BUSY TO: LEADY ACTIVE			



- 4 DESIGNATIONS FOR REF ONLY
  - 3 SEE ITEM 16 ON P/L FOR SCHEMATIC
  - 2 SEE ITEM 15 ON P/L FOR WIRE LIST
  - 1 MARK BURROUGHS PART NO. AND LATEST REV LTR USING .12 HIGH BLACK STENCIL INK GOTHIC CHARACTERS APPROX WHERE SHOWN.
- NOTES: UNLESS OTHERWISE SPECIFIED,

SEE P/L

TOLERANCES UNLESS OTHERWISE SPECIFIED		DATE	Burrhoughs Corporation	
FINISH	ANGLES	2-27-70	WESTLAKE PLANT	
MATERIAL	1/2 SHECKER	DATE	WESTLAKE VILLAGE, CALIF. 91380	
DRY TREATMENT	GROUP OF LEAD	DATE	TITLE	
SURFACE TREATMENT	2-8-50	DATE	ASSY. PANEL SWITCH	
PROPERTY TO BURROUGHS CORPORATION NOT TO BE REPRODUCED OR USED FOR MANUFACTURE WITHOUT WRITTEN PERMISSION OF BURROUGHS CORPORATION			SCALE	SHEET NO
			NONE	1 OF 1
			DWG NO	REV
			02162 8045	B



ENGINEERING PARTS LIST REPORT

\*\*\* LAST CHANGE: 14 Jul, 1978

PRINTED: 14 Jul, 1978

PART/DOC TRAN NUMBER	DT	DESCRIPTION	DRW SIZE	DRW REV	ISSUE	UOM	CLASS CODE	DOC CODE	ECT	ECNO	DSGN CNFL
2162 8045	PL	SWITCH PANEL ASSY	D	B	3	EA	2-8020-000	2	ECM	10723	027

TRAN ITEM	DT	DRW SIZE	PART/DOC NUMBER	DRW REV	ISSUE IN	DOC OUT CODE	DESCRIPTION	QUANTITY	UOM	ECT	ECNO
1	B		2162 8037		1 999	0	SWITCH PANEL	1.00	EA		
2	ST		1269 6795		1 999	7	INDICATOR UNIV	2.00	EA		
3	S	A	1269 5649		1 999	0	FILTER COLOR	1.00	EA		
4	S		2155 6451		1 999	0	SWITCH MODULE	1.00	EA		
5	S		2155 6446		1 999	0	HOUSING SWITCH	1.00	EA		
6	ST		1269 5607		1 999	0	LAMP CAPSULE	2.00	EA		
7	A		1720 8489		1 999	0	LAMP, INCANDESCENT	4.00	EA		
8	ST		1269 6191		1 999	0	DIVIDER, LAMP	1.00	EA		
9	S		2155 6469		1 999	0	LENS, ENGRAVED	1.00	EA		
10	ST		1269 6258		1 999	0	FILTER, SPLIT	2.00	EA		
11	S	A	1269 6357		2 999	0	LENS CAP-RDY/ACTIVE	1.00	EA	ECN	10596
12	ST		1269 5664		1 999	0	FILTER, FULL	1.00	EA		
13	S	A	1269 5920		1 999	0	LENS CAP-SELCTLOCK	1.00	EA		
14	PL	B	2161 7675		1 999	2	ASSY-HARN, SW PNL	1.00	EA		

PAGE 1

ASSEMBLY 2162 8045 ISSUE 3

259

ENGINEERING PARTS LIST REPORT

\*\*\* LAST CHANGE: 14 Jul, 1978

PRINTED: 14 Jul, 1978

PART/DOC TRAN NUMBER	DT	DESCRIPTION	DRW SIZE	DRW REV	ISSUE	UOM	CLASS CODE	DOC CODE	ECT	ECNO	DSGN CNFL
2162 8045	PL	SWITCH PANEL ASSY	D	B	3	EA	2-8020-000	2	ECM	10723	027

TRAN ITEM	DT	DRW SIZE	PART/DOC NUMBER	DRW REV	ISSUE IN	DOC OUT CODE	DESCRIPTION	QUANTITY	UOM	ECT	ECNO
15	A		2161 8426	C	2 999	3	WIRE LIST-SW PNL	0.00	RF	ECN	10596
16	B		2161 8434	D	3 999	4	SCHEM-SWITCH PANEL	0.00	RF	ECN	10723

\*\*\*\*\*ADDITIONS AND DELETES SINCE LAST ISSUE\*\*\*\*\*

C	16	B	2161 8434	C	2	2	4	SCHEM-SWITCH PANEL	0.00	RF	ECN 10723
---	----	---	-----------	---	---	---	---	--------------------	------	----	-----------

\*\*\*\*\* LAST LINE \*\*\*\*\*

255

PAGE 2

ASSEMBLY 2162 8045 ISSUE 3

Burroughs Corporation		PREP		PROJ		A-2163 0587		REV	B
WESTLAKE PLANT WESTLAKE VILLAGE, CALIF. 91380 U.S. AMERICA		3/9/77		APPD		PAGE 1 OF 2			
PROPRIETARY TO BURROUGHS CORPORATION NOT TO BE REPRODUCED OR USED FOR MANUFACTURING PURPOSES EXCEPT ON BURROUGHS ORDER OR PRIOR WRITTEN CONSENT						TITLE CIRCUIT LIST-SPINDLE CARD CAGE			
REV	CONTROL DOC & NO	DFTSMN	CHKD	APPD & DATE	PAGE	LINE OR 9	REVISION DESCRIPTION	CLASS CODE 2-1509	
A	ECN 63099	83					INITIAL RELEASE WAS 2162 6536		
B	ECN 63104		CR	4/17/77	2		INTLK 501-24 TO 505-26 WAS 501-24 TO 501-03.		

PRINTED IN U.S. AMERICA

WES 1025 1-76

Burroughs Corporation		PREP		PROJ		A 2163 0587		REV	B
DISK PACK PRODUCTS WESTLAKE VILLAGE, CALIF. 91380 U.S. AMERICA				APPD		PAGE 2 OF 2			
PROPRIETARY TO BURROUGHS. NOT TO BE REPRODUCED OR USED FOR MANUFACTURING PURPOSES EXCEPT ON BURROUGHS ORDER OR PRIOR WRITTEN CONSENT.						TITLE CIRCUIT LIST-SPINDLE CARD CAGE			

SIGNAL	FRCH PIN	TO PIN	Z	SEG	SIGNAL	FROM PIN	TO PIN	Z	SEG
*SIGN	S05 54	S04 50	1	22	DIR	S03 10	S05 22	1	11
ACCEL	S03 50	S04 13	1	16	EXCURR	S03 58	S05 18	1	13
ACCEL	S04 13	S05 47	2	29	FUNCTION	S05 46	S04 52	1	23
ACCELCOMD	S04 25	S05 43	1	26	HDEXT	S03 20	S04 08	1	9
CNT	S03 16	S05 24	1	12	HDEXT	S04 08	S05 12	2	10
DETPOS	S03 12	S04 09	1	15	HOSELAX	S01 58	S05 30	1	3
DGINDSCENL	S07 51	S07 13	1	45	HOSELAY	S01 54	S05 28	1	4
DGINDSCENU	S07 50	S07 14	1	44	IERO	S01 10	S02 39	1	58
DGIOCLKENL	S07 40	S07 21	1	49	IER1	S01 22	S02 37	1	1
DGIOCLKENU	S07 49	S07 15	1	43	IER2	S01 34	S02 31	1	59
DGPWRRST/	S08 18	S07 33	1	39	IER3	S01 46	S02 41	1	2
DGRDATAENL	S07 37	S07 20	1	48	INDESC	S02 45	S05 09	1	8
DGRDATAENU	S07 47	S07 16	1	42	INTLK	S01 24	S05 26	1	5
DGRDENLA	S07 54	S07 17	1	46	DC INTLK	S01 26	S02 46	1	30
DGRWCOND/	S08 09	S07 12	1	37	DC INTLK	S02 48	S03 42	1	31
DGRWCOND8/	S08 10	S07 35	1	38	DC INTLK	S03 44	S04 40	1	32
DGRWCLK	S08 22	S07 11	1	40	DC INTLK	S04 38	S06 16	1	33
DGSGCLK	S08 24	S07 09	1	41	DC INTLK	S06 14	S05 36	1	34
DGSPARES1	S07 39	S07 29	1	50	IW	S01 18	S02 51	1	57
DGSPARES2	S07 38	S07 27	1	51	LAMP	S03 45	S05 14	1	34
DGSPARES3	S07 45	S07 25	1	52	ONSCALE	S03 18	S05 20	1	55
DGSPARES4	S07 43	S07 30	1	53	POSITRK	S05 07	S06 31	1	21
DGSPARES5	S07 42	S07 31	1	54	SVOCTRLA	S05 44	S04 23	1	25
DGSVOCLK	S09 09	S08 54	1	35	SVOCTRLB	S05 42	S04 21	1	24
DGSVGCLK	S08 54	S07 23	2	36	TEMPCO	S06 37	S04 11	1	19
DGWRENLA	S07 53	S07 19	1	47	THPNOLIM	S05 34	S06 39	1	20
					VEL	S03 08	S04 15	1	17
					VFB	S04 17	S05 51	1	27
					VOLSEN	S05 16	S04 10	1	18
					WCHI/	S02 33	S05 13	1	6
					WCON/	S02 43	S05 11	1	7
					WRT/	S01 04	S02 44	1	56
					35VSEN	S05 32	S05 39	1	28

PRINTED IN U.S. AMERICA

WES 2389 4-73

MASTER

Burroughs Corporation		PREP J. Golden 3-4-77	PROJ A-2163 0595	REV B				
WESTLAKE PLANT WESTLAKE VILLAGE, CALIF 91360 U.S. AMERICA		CHKD CE [Signature]	APPD	PAGE 1 OF 3				
PROPRIETARY TO BURROUGHS CORPORATION NOT TO BE REPRODUCED OR USED FOR MANUFACTURING PURPOSES EXCEPT ON BURROUGHS ORDER OR PRIOR WRITTEN CONSENT.			TITLE WIRE LIST-SPINDLE CARD CAGE					
REV	CONTROL DOC & NO	DFTSMN	CHKD	APPD & DATE	PAGE	LINE OR CR	REVISION DESCRIPTION	CLASS CODE
A	ECN 63099	82					INITIAL RELEASE WAS 2162 6544.	2-1509
B	ECN 63104	89	CR	HT 3/17/77	3		SEQ. 5 IS: 501-24 TO 505-26 WAS: 501-24 TO 501-03	

PRINTED IN U.S. AMERICA

258  
WES 1025 1-76

Burroughs Corporation		PREP	PROJ A2163 0595	REV B
DISK PACK PRODUCTS WESTLAKE PLANT WESTLAKE VILLAGE, CALIF 91360 U.S. AMERICA		CHKD	APPD	PAGE 2 OF 3
PROPRIETARY TO BURROUGHS. NOT TO BE REPRODUCED OR USED FOR MANUFACTURING PURPOSES EXCEPT ON BURROUGHS ORDER OR PRIOR WRITTEN CONSENT.			TITLE WIRE LIST-SPINDLE CARD CAGE	

WIRE	SIGNAL	A-PIN	ATX	ATY	ADFY	B-PIN	BTX	BTY	BDFY	TRP	PAT	FSEQ	TSEQ
1	DGRWMLK	S07 11	7840	16105	15780	S08 22	8340	16730	15780	2	3	40	40
2	DGSPARE51	S07 29	8965	16105	15780	S07 39	9465	16105	15780	2	3	50	50
3	DGSPARE55	SC7 31	9090	16105	15780	S07 42	9590	16230	15780	2	3	54	54
4	TMPNOLIM	S05 34	9215	15230	14905	S06 39	9465	15605	14905	2	3	20	20
5	IER2	SC1 34	13355	13410	13085	S02 31	13605	13535	13085	3	3	59	59
6	CNT	S03 16	14355	14535	13710	S05 24	15230	14035	13710	3	3	12	12
7	INTLK	S03 44	14355	12785	12460	S04 40	14730	13035	12460	3	3	32	32
8	VOLSEN	S04 10	14855	14910	14210	S05 16	15230	14535	14210	3	3	18	18
9	FUNCTION	S04 52	14855	12285	11960	S05 46	15230	12660	11960	3	3	23	23
10	DGRWCOND/	SC7 12	16355	14785	14460	S08 09	16605	14910	14460	3	3	37	37
11	DGPWRRST/	SC7 33	13535	6355	5445	SC8 18	14410	5770	5445	4	3	39	39
12	DGSGCLCK	SC8 24	14160	5770	5445	S07 09	14910	6395	5445	4	3	41	41
13	HDEXT	S03 20	14410	8270	7445	S04 08	15035	7770	7445	4	3	9	9
14	VEL	S04 15	14660	7895	7570	S03 08	15035	8270	7570	4	3	17	17
15	IER1	S02 37	13285	8895	8570	S01 22	14160	9270	8570	4	3	1	1
16	35VSEN	S05 39	13160	7395	6945	S05 32	13535	7270	6945	4	3	28	28
17	DGSPARE52	S07 38	13285	6270	5945	S07 27	13785	6395	5945	4	3	51	51
18	DGSPARE54	S07 43	12910	6395	5945	S07 30	13660	6270	5945	4	3	53	53
19	IER3	S02 41	9020	9590	9265	S01 46	9270	9840	9265	1	3	2	2
20	INTLK	S03 42	8395	9590	9265	S02 48	8770	9965	9265	1	3	31	31
21	DETPDS	S04 09	8020	7590	7265	S03 12	8270	7715	7265	1	3	15	15
22	CNSCALE	S05 20	7395	8215	7765	S03 18	8270	8090	7765	1	3	55	55
23	DIR	S05 22	7395	8340	7265	S03 10	8270	7590	7265	1	3	11	11
24	*SIGN	S01 04	7395	10340	9765	S04 50	7770	10090	9765	1	3	22	22
25	WRT/	S01 04	7340	13230	12905	S02 44	9715	13730	12905	2	3	56	56
26	IER0	S01 10	7715	13230	12905	S02 39	9465	13605	12905	2	3	58	58
27	ACCEL	S04 13	7965	14605	13905	S03 50	10090	14230	13905	2	3	16	16
28	POSITRK	S05 07	7590	15105	14780	S06 31	8965	15605	14780	2	3	21	21
29	INDESC	SC5 09	7715	15105	13280	S02 45	9840	13605	13280	2	3	8	8
30	INTLK	SC6 16	8090	15730	14405	S04 38	9340	14730	14405	2	3	33	33
31	DGINDSCENU	S07 14	7965	16230	15905	S07 50	10090	16230	15905	2	3	44	44
32	DGIOCLKENU	SC7 15	8090	16105	15780	S07 49	10090	16105	15780	2	3	43	43
33	IW	S01 18	8215	13230	12905	S02 51	10215	13605	12905	2	3	57	57
34	VFB	S04 17	8215	14605	14280	S05 51	10215	15105	14280	2	3	27	27
35	SVOCTRLB	S04 21	8465	14605	14280	S05 42	9590	15230	14280	2	3	24	24
36	ACCELCOMD	S04 25	8715	14605	14280	S05 43	9715	15105	14280	2	3	26	26
37	EXCURR	S05 18	8215	15230	13905	S03 58	10590	14230	13905	2	3	13	13
38	DGRDENLA	SC7 17	8215	16105	15780	S07 54	10340	16230	15780	2	3	46	46
39	DGRDATAENL	SC7 20	8340	16230	15780	S07 37	9340	16105	15780	2	3	48	48
40	DGSPARE53	SC7 25	8715	16105	15780	S07 45	9840	16105	15780	2	3	52	52
41	INTLK	S01 24	13355	14035	13585	S05 26	15230	13910	13585	3	3	5	5
42	HDESELAX	S01 58	13355	11910	11585	S05 30	15230	13660	11585	3	3	3	3
43	DG5VOCLK	SC8 54	12285	5770	5070	S09 09	14910	5395	5070	4	3	35	35
44	DGRWCCNDB/	S07 35	13410	6395	5445	SC8 10	14910	5770	5445	4	3	38	38
45	INTLK	S05 36	13410	7270	6445	S06 14	14660	6770	6445	4	3	34	34
46	TEMPCO	SC6 37	13285	6895	6570	S04 11	14785	7895	6570	4	3	19	19
47	DGIOCLKENL	SC7 40	13160	6270	5945	S07 21	14160	6395	5945	4	3	49	49
48	WC0N/	S02 43	12910	8895	7070	S05 11	14785	7395	7070	4	3	7	7
49	INTLK	S02 46	12785	8770	8445	S01 26	13910	9270	8445	4	3	30	30
50	LAMP	S03 45	12785	8395	6945	S05 14	14660	7270	6945	4	3	14	14
51	SVOCTRLA	S05 44	12910	7270	6945	S04 23	14035	7895	6945	4	3	25	25
52	DGRDATAENU	S07 47	12660	6395	5945	SC7 16	14535	6270	5945	4	3	42	42
53	DGINDSCENL	S07 51	12410	6395	6070	S07 13	14660	6395	6070	4	3	45	45
54	DGWRENLA	SC7 53	12285	6395	6070	S07 19	14285	6395	6070	4	3	47	47
55	WCHI/	S05 13	7520	7840	7515	S02 33	8895	9090	7515	1	3	6	6

PRINTED IN U.S. AMERICA

WES 2389 4-73

<b>Burroughs Corporation</b> DISK PACK PRODUCTS WESTLAKE VILLAGE, CALIF. 91360	PREP WESTLAKE PLANT U.S. AMERICA	PROJ A 2163 0595 B	PAGE 3 OF 3
	CHKD	APPD	
PROPRIETARY TO BURROUGHS NOT TO BE REPRODUCED OR USED FOR MANUFACTURING PURPOSES EXCEPT ON BURROUGHS ORDER OR PRIOR WRITTEN CONSENT.		TITLE WIRE LIST-SPINDLE CARD CAGE	

SEQ	TYPE	SIGNAL	PIN 1	PIN 2	Z/PIN 3	PIN 4	PIN 5
1	1	IER1	S01 22	S02 37			
2	1	IER3	S01 46	S02 41			
3	1	HDS ELAX	S01 58	SC5 30			
4	1	HDSELAY	S01 54	SC5 28			
5	1	INTLK	S01 24	SC5 26			
6	1	WCHI/	S02 33	S05 13			
7	1	WCUN/	S02 43	SC5 11			
8	1	INDESC	S02 45	S05 09			
9	1	HDEXT	S03 20	S04 08			
10	1	HDEXT	S04 08	S05 12			
11	1	DIR	S03 10	S05 22			
12	1	CNT	S03 16	S05 24			
13	1	EXCURR	S03 58	SC5 18			
14	1	LAMP	S03 45	SC5 14			
15	1	DETPOS	S03 12	SC5 09			
16	1	ACCEL	S03 50	SC4 13			
17	1	VEL	S03 08	S04 15			
18	1	VOLSEN	S05 16	SC4 10			
19	1	TEMPCO	S06 37	S04 11			
20	1	TMPNOLIM	S05 34	S06 39			
21	1	POSITRK	S05 07	S06 31			
22	1	*SIGN	S05 54	S04 50			
23	1	FUNCTION	S05 46	SC4 52			
24	1	SVOCTRLB	S05 42	SC4 21			
25	1	SVOCTRLA	S05 44	SC4 23			
26	1	ACCELCOMD	S04 25	S05 43			
27	1	VFB	S04 17	S05 51			
28	1	35VSEN	S05 32	S05 39			
29	1	ACCEL	S04 13	S05 47			
30	1	INTLK	S01 26	S02 46			
31	1	INTLK	S02 48	S03 42			
32	1	INTLK	S03 44	SC4 40			
33	1	INTLK	S04 38	S06 16			
34	1	INTLK	S06 14	S05 36			
35	1	DGSVCLK	S09 09	SC8 54			
36	1	DGSVCLK	S08 54	S07 23			
37	1	DGRWCOND/	S08 09	SC7 12			
38	1	DGRWCOND/	S08 10	S07 35			
39	1	DGPWRST/	S08 18	S07 33			
40	1	DGRWMCLK	S08 22	SC7 11			
41	1	DGSGCLK	S08 24	S07 09			
42	1	DGRDATAENUS07	47	SC7 16			
43	1	DGI0CLKENUS07	49	SC7 15			
44	1	DGIN0SCENUS07	50	S07 14			
45	1	DGIN0SCENLS07	51	S07 13			
46	1	DGRDENLA	S07 54	SC7 17			
47	1	DGRWENLA	S07 53	S07 19			
48	1	DGRDATAENLS07	37	SC7 20			
49	1	DGI0CLKENLS07	40	S07 21			
50	1	DGSPARES1	S07 39	SC7 29			
51	1	DGSPARES2	S07 38	S07 27			
52	1	DGSPARES3	S07 45	SC7 25			
53	1	DGSPARES4	S07 43	SC7 30			
54	1	DGSPARES5	S07 42	SC7 31			
55	1	ONSCALE	S03 18	S05 20			
56	1	WRT/	S01 04	S02 44			
57	1	IW	S01 18	SC2 51			
58	1	IERO	S01 10	S02 39			
59	1	IER2	S01 34	S02 31			

Burroughs Corporation WESTLAKE PLANT WESTLAKE VILLAGE, CALIF. 91360 U.S. AMERICA		PREP J 501024 3-4-77 CHKD C. J. M. 3/13/77	PROJ A-2163 0603 B	APPD PAGE 1 OF 2				
PROPRIETARY TO BURROUGHS CORPORATION NOT TO BE REPRODUCED OR USED FOR MANUFACTURING PURPOSES EXCEPT ON BURROUGHS ORDER OR PRIOR WRITTEN CONSENT.				TITLE PIN LIST-SPINDLE CARD CAGE				
REV	CONTROL DOC & NO	DFTSMN	CHKD	APPD & DATE	PAGE	LIME OR 9	REVISION DESCRIPTION	CLASS CODE
A	ECN 63099	39					INITIAL RELEASE WAS 2162 6551	2-1509
B	ECN 63104	39	CR	NLT 3/17/77	2		15: 501-24 TO 505-26 WAS: 501-24 TO 501-03	

<b>Burroughs Corporation</b> DISK PACK PRODUCTS WESTLAKE PLANT WESTLAKE VILLAGE, CALIF. 91360 U.S. AMERICA		PREP CHKD	PROJ APPD	<b>A2163 0603 B</b> PAGE 2 OF 2
PROPRIETARY TO BURROUGHS. NOT TO BE REPRODUCED OR USED FOR MANUFACTURING PURPOSES EXCEPT ON BURROUGHS ORDER OR PRIOR WRITTEN CONSENT.		TITLE <b>PIN LIST-SPINDLE CARD CAGE</b>		

PIN	CO-PIN	SIGNAL	SEQ	WIRE	Z	PIN	CO-PIN	SIGNAL	SEQ	WIRE	Z
SC1 04	S02 44	WRT/	56	25	1	* S05 11	S02 43	WCON/	7	48	1
S01 10	S02 39	IERO	58	26	1	S05 12	S04 08	HDEXT	10	59	2
S01 18	S02 51	IW	57	33	1	* S05 13	S02 33	WCHT/	6	55	1
* S01 22	S02 37	IER1	1	15	1	* S05 14	S03 45	LAMP	14	50	1
S01 24	S05 26	INTLK	5	41	1	* S05 16	S04 10	VOLSEN	18	8	1
* S01 26	S02 46	INTLK	30	49	1	S05 18	S03 58	EXCURR	13	37	1
S01 34	S02 31	IER2	59	5	1	* S05 20	S03 18	ONSCALE	55	22	1
* SC1 46	S02 41	IER3	2	19	1	S05 22	S03 10	DIR	11	23	1
* S01 54	S05 28	HDSELAY	4	56	1	* S05 24	S03 16	CNT	12	6	1
SC1 58	S05 30	HDSELAY	3	42	1	* S05 26	S01 24	INTLK	5	41	1
* S02 31	S01 34	IER2	59	5	1	* S05 28	S01 54	HDSELAY	4	56	1
* S02 33	S05 13	WCHT/	6	55	1	* S05 30	S01 58	HDSELAY	3	42	1
SC2 37	S01 22	IER1	1	15	1	* S05 32	S05 39	3V5SEN	28	16	1
* S02 39	S01 10	IERO	58	26	1	* S05 34	S06 39	TMPNOLIM	20	4	1
S02 41	S01 46	IER3	2	19	1	S05 36	S06 14	INTLK	34	45	1
S02 43	S05 11	WCON/	7	48	1	S05 39	S05 32	3V5SEN	28	16	1
* S02 44	S01 04	WRT/	56	25	1	* S05 42	S04 21	SVCTRLB	24	35	1
* S02 45	S05 09	INDESC	8	29	1	* S05 43	S04 25	ACCCLCOMD	26	36	1
S02 46	S01 26	INTLK	30	49	1	S05 44	S04 23	SVCTRLA	25	51	1
* S02 48	S03 42	INTLK	31	20	1	* S05 46	S04 52	FUNCTION	23	9	1
* S02 51	S01 18	IW	57	33	1	S05 47	S04 13	ACCEL	29	58	2
* S03 08	S04 15	VEL	17	14	1	* S05 51	S04 17	VFB	27	34	1
* S03 10	S05 22	DIR	11	23	1	S05 54	S04 50	*SIGN	22	24	1
* S03 12	S04 09	DETPCS	15	21	1	* S06 14	S05 36	INTLK	34	45	1
S03 16	S05 24	CNT	12	6	1	S06 16	S04 38	INTLK	33	30	1
* S03 18	S05 20	CNSCALE	55	22	1	* S06 31	S05 07	POSITRK	21	28	1
S03 20	S04 08	HDEXT	9	13	1	S06 37	S04 11	TEMPCO	19	46	1
S03 42	S02 48	INTLK	31	20	1	* S06 39	S05 34	TMPNOLIM	20	4	1
S03 44	S04 40	INTLK	32	7	1	* S07 09	S08 24	DGSGCLCK	41	12	1
S03 45	S05 14	LAMP	14	50	1	S07 11	S08 22	DGRWMLCK	40	1	1
* S03 50	S04 13	ACCEL	16	27	1	S07 12	S08 09	DGRWCOND/	37	10	1
* S03 58	S05 18	EXCURR	13	37	1	* S07 13	S07 51	DGINDSCENL	45	53	1
* SC4 08	S03 20	HDEXT	9	13	1	S07 14	S07 50	DGINDSCENU	44	31	1
* SC4 08	S05 12	HDEXT	10	59	2	S07 15	S07 49	DGIOCLKENU	43	32	1
S04 09	S03 12	DETPCS	15	21	1	* S07 16	S07 47	DGRDATAENU	42	52	1
S04 10	S05 16	VOLSEN	18	8	1	S07 17	S07 54	DGRDENLA	46	38	1
* S04 11	S06 37	TEMPCO	19	46	1	* S07 19	S07 53	DGWRENLA	47	54	1
S04 13	S03 50	ACCEL	16	27	1	S07 20	S07 37	DGRDATAENL	48	39	1
* S04 13	S05 47	ACCEL	29	58	2	* S07 21	SC7 40	DGIOCLKENL	49	47	1
S04 15	S03 08	VEL	17	14	1	S07 23	S08 54	DGVOCLCK	36	57	2
S04 17	S05 51	VFB	27	34	1	S07 25	S07 45	DGSPARES3	52	40	1
S04 21	S05 42	SVCTRLB	24	35	1	* S07 27	S07 38	DGSPARES2	51	17	1
* S04 23	S05 44	SVCTRLA	25	51	1	S07 29	S07 39	DGSPARES1	50	2	1
SC4 25	S05 43	ACCCLCOMD	26	36	1	* S07 30	S07 43	DGSPARES4	53	18	1
* S04 38	S06 16	INTLK	33	30	1	S07 31	S07 42	DGSPARES5	54	3	1
* SC4 40	S03 44	INTLK	32	7	1	S07 33	S08 18	DGPWRST/	39	11	1
* S04 50	S05 54	*SIGN	22	24	1	S07 35	S08 10	DGRWCOND/	38	44	1
S04 52	S05 46	FUNCTION	23	9	1	* S07 37	S07 20	DGRDATAENL	48	39	1
S05 07	S06 31	POSITRK	21	28	1	S07 38	S07 27	DGSPARES2	51	17	1
S05 09	S02 45	INDESC	8	29	1	* S07 39	S07 29	DGSPARES1	50	2	1
SC7 40	S07 21	DGIOCLKENL	49	47	1	SC7 42	S07 31	DGSPARES5	54	3	1
* SC7 42	S07 31	DGSPARES4	53	18	1	SC7 43	SC7 30	DGSPARES3	52	40	1
SC7 43	SC7 30	DGSPARES3	52	40	1	* S07 45	S07 25	DGSPARES3	52	40	1
* S07 45	S07 25	DGSPARES3	52	40	1	SC7 47	S07 16	DGRDATAENU	42	52	1
SC7 47	S07 16	DGRDATAENU	42	52	1	* SC7 49	S07 15	DGIOCLKENU	43	32	1
* SC7 49	S07 15	DGIOCLKENU	43	32	1	* SC7 50	S07 14	DGINDSCENU	44	31	1
* SC7 50	S07 14	DGINDSCENU	44	31	1	SC7 51	S07 13	DGINDSCENL	45	53	1
SC7 51	S07 13	DGINDSCENL	45	53	1	SC7 53	S07 19	DGWRENLA	47	54	1
* SC7 53	S07 19	DGWRENLA	47	54	1	* SC7 54	S07 17	DGRDENLA	46	38	1
* SC7 54	S07 17	DGRDENLA	46	38	1	* S08 09	S07 12	DGRWCOND/	37	10	1
* S08 09	S07 12	DGRWCOND/	37	10	1	* SC8 10	SC7 35	DGRWCOND/	38	44	1
* SC8 10	SC7 35	DGRWCOND/	38	44	1	* S08 18	SC7 33	DGPWRST/	39	11	1
* S08 18	SC7 33	DGPWRST/	39	11	1	* SC8 22	S07 11	DGRWMLCK	40	1	1
* SC8 22	S07 11	DGRWMLCK	40	1	1	SC8 24	SC7 09	DGSGCLCK	41	12	1
SC8 24	SC7 09	DGSGCLCK	41	12	1	SC8 54	S09 09	DGVOCLCK	35	43	1
SC8 54	S09 09	DGVOCLCK	35	43	1	* SC8 54	S07 23	DGVOCLCK	36	57	2
* SC8 54	S07 23	DGVOCLCK	36	57	2	* S09 09	S08 54	DGVOCLCK	35	43	1-73

PRINTED IN U.S. AMERICA

<b>Burroughs Corporation</b> WESTLAKE PLANT WESTLAKE VILLAGE, CALIF. 91360 U.S. AMERICA		PREP CHKD	PROJ APPD	<b>A-2163 0611 C</b> PAGE 1 OF 7			
PROPRIETARY TO BURROUGHS CORPORATION. NOT TO BE REPRODUCED OR USED FOR MANUFACTURING PURPOSES EXCEPT ON BURROUGHS ORDER OR PRIOR WRITTEN CONSENT.		TITLE <b>CIRCUIT LIST-COMMON ELECT. MOD.</b>					
CLASS CODE <b>2-1509</b>		REVISION DESCRIPTION <b>INITIAL RELEASE WAS 2162 6577</b>					
REV	CONTROL DOC & NO	DFTSMN	CHKD	APPD & DATE	PAGE	LINE OR CR	REVISION DESCRIPTION
A	ECN 63099	23					ADDED INTLK C19-50 TO C19-57
B	ECN 63104	23	CEL	MAT 3/17/77	4		ADDED INTLK C20-38 TO C20-12 ADDED INTLK C20-39 TO C04-23 INTLK C01-39 TO C20-13 WAS C01-39 TO C20-38. DELETED: C20-38 TO C20-39 INTLK. C20-13 TO C20-39 INTLK C20-13 TO C20-58 INTLK
C	ECN 10461	23	CEL	3/17/77	4		ADDED C19-27 TO C12-46

PRINTED IN U.S. AMERICA

WES 1025 1-76

262

<b>Burroughs Corporation</b> DISK PACK PRODUCTS WESTLAKE PLANT WESTLAKE VILLAGE, CALIF. 91360 U.S. AMERICA	PREP	PROJ	A2163 0611 C PAGE 2 OF 7
	CHKD	APPD	
PROPRIETARY TO BURROUGHS. NOT TO BE REPRODUCED OR USED FOR MANUFACTURING PURPOSES EXCEPT ON BURROUGHS ORDER OR PRIOR WRITTEN CONSENT.			TITLE CIRCUIT LIST-COMMON ELECT. MOD.

SIGNAL	FROM PIN	TO PIN	Z	SEQ	SIGNAL	FROM PIN	TO PIN	Z	SEQ
C256	C08 20	C07 29	1	169	*SIGN	C20 27	C06 50	1	18
					*SIGN	C20 53	C06 50	2	37
C32	C08 41	C07 17	1	166	ADDCLR/	C19 38	C08 09	1	69
					ADDCLR/	C08 09	C07 39	2	155
C4	C08 42	C07 07	1	163	ADDCLR/	C07 39	C03 58	1	156
C64	C08 45	C07 19	1	167	BROENL	C19 29	C18 20	1	62
C8	C08 53	C07 09	1	164	BROENU	C19 34	C18 21	1	67
D=0	C07 50	C06 33	1	200	BY10	C19 52	C17 31	1	83
D=0	C04 34	C06 33	2	231	BY2	C19 56	C18 16	1	87
DAR1	C19 04	C07 43	1	41	BY2	C17 51	C18 16	2	98
DAR128	C19 40	C07 47	1	71	BY20	C19 51	C17 35	1	82
DAR16	C19 19	C07 53	1	54	BY64	C19 55	C18 15	1	86
DAR2	C19 23	C07 41	1	58	BY64	C16 49	C18 15	2	128
DAR256	C19 39	C07 54	1	70	CLEAR	C05 45	C03 39	1	208
DAR32	C19 30	C07 51	1	63	CLKONE	C17 11	C14 15	1	106
DAR4	C19 25	C07 37	1	60	CLKONE/	C17 09	C14 19	1	107
DAR64	C19 32	C07 49	1	65	CLOCK	C19 54	C17 32	1	85
DAR8	C19 21	C07 35	1	56	CLOCK	C17 32	C16 31	2	97
DATERR/	C16 33	C15 45	1	129	CLOCK	C16 31	C15 35	1	123
DFLAG	C04 08	C03 12	1	220	CLOCK	C15 35	C12 28	2	126
DGCLEAR	C09 39	C11 45	1	287	CNTL	C20 10	C08 11	1	8
DGCOND	C09 47	C10 20	1	289	CNTU	C20 36	C08 13	1	27
DGCOND/	C09 25	C10 07	1	290	COND	C04 20	C03 47	1	221
DGCTRBL	C09 10	C11 21	1	251	COND/	C04 07	C03 25	1	222
DGDFLAG	C09 12	C10 08	1	276	CTCK	C08 17	C07 36	1	190
DGDRIVEOP	C09 21	C10 31	1	271	CTCK	C04 31	C07 36	2	230
DGDRIVEOP	C10 31	C10 33	2	272	C1	C08 49	C07 12	1	161
DGDRIVEOP	C10 33	C10 34	1	273	C128	C08 47	C07 21	1	168
DGERRFLAG	C09 35	C11 47	1	278	C16	C08 43	C07 15	1	165
					C2	C08 51	C07 10	1	162

<b>Burroughs Corporation</b> DISK PACK PRODUCTS WESTLAKE PLANT WESTLAKE VILLAGE, CALIF. 91360 U.S. AMERICA	PREP	PROJ	A2163 0611 C PAGE 3 OF 7
	CHKD	APPD	
PROPRIETARY TO BURROUGHS. NOT TO BE REPRODUCED OR USED FOR MANUFACTURING PURPOSES EXCEPT ON BURROUGHS ORDER OR PRIOR WRITTEN CONSENT.			TITLE CIRCUIT LIST-COMMON ELECT. MOD.

SIGNAL	FROM PIN	TO PIN	Z	SEQ	SIGNAL	FROM PIN	TO PIN	Z	SEQ
DGERROR	C10 17	C11 49	1	294	DGSPARE6	C09 30	C10 23	1	266
DGFLAG1	C09 32	C10 43	1	292	DGSPARE7	C09 33	C10 35	1	267
DGFTIMER	C09 54	C10 52	1	280	DGSPARE7	C10 35	C11 09	2	268
DGILLADD	C09 23	C11 39	1	259	DGSPARE8	C09 20	C10 25	1	269
DGIPADD1	C09 52	C10 19	1	286	DGSPARE8	C10 25	C10 26	2	270
DGIPADD2	C09 51	C10 21	1	285	DGSTRTIMER	C09 24	C11 31	1	277
DGIPADD4	C09 45	C10 30	1	284	DGSUCTRLAU	C09 08	C11 33	1	274
DGPARSEL	C09 13	C11 17	1	253	DGSVCTR6U	C09 07	C11 23	1	250
DGPORTASEL	C09 43	C10 15	1	281	DGSVCTR1AL	C09 09	C11 35	1	275
DGPORTBSEL	C09 44	C10 29	1	282	DGTPHRRST	C10 50	C11 43	1	293
DGPORTCSEL	C09 41	C10 41	1	283	DILLADD	C07 04	C04 35	1	202
DGPOSSETL	C09 11	C11 25	1	255	DIR/	C04 13	C08 21	1	228
DGPOSSETU	C09 14	C11 27	1	254	DIRL	C20 07	C08 07	1	5
DGPHRRST/	C09 15	C10 18	1	291	DIRU	C20 33	C08 04	1	24
DGRDYFLH	C09 17	C11 07	1	257	DRIVEOP	C19 35	C03 31	1	68
DGRDYLPL	C09 18	C11 53	1	256	DRIVEOP	C19 49	C03 31	2	60
DGRUNCLCK	C09 37	C10 58	1	288	D1	C07 13	C06 51	1	192
DGSELOCKLP	C09 19	C11 29	1	258	D128	C07 27	C06 37	1	199
DGSETERR	C09 50	C11 15	1	279	D16	C07 31	C06 43	1	196
DGSIGN	C09 16	C11 37	1	252	D2	C07 23	C06 49	1	193
DGSPARE1	C09 21	C10 16	1	260	D32	C07 33	C06 41	1	197
DGSPARE2	C09 22	C10 13	1	261	D4	C07 11	C06 47	1	154
DGSPARE3	C09 28	C10 14	1	262	D64	C07 25	C06 39	1	198
DGSPARE4	C09 27	C10 11	1	263	D8	C07 14	C06 45	1	195
DGSPARE5	C09 29	C10 51	1	264	ECCBYTE	C17 47	C16 15	1	116
DGSPARE5	C10 51	C10 47	2	265	ECCBYTE	C15 47	C16 15	2	134
					ECCCORR/	C17 37	C16 36	1	110
					ECCENC	C17 30	C16 45	1	114

<b>Burroughs Corporation</b> <small>DISK PACK PRODUCTS WESTLAKE PLANT WESTLAKE VILLAGE, CALIF. 91380 U.S. AMERICA</small>	PREP	PROJ	A2163 0611 C
	CHKD	APPD	
<small>PROPRIETARY TO BURROUGHS. NOT TO BE REPRODUCED OR USED FOR MANUFACTURING PURPOSES EXCEPT ON BURROUGHS ORDER OR PRIOR WRITTEN CONSENT.</small>			PAGE 4 OF 7 TITLE <b>CIRCUIT LIST - COMMON ELECT. MOD.</b>

SIGNAL	FROM PIN	TO PIN	Z	SEQ	SIGNAL	FROM PIN	TO PIN	Z	SEQ
ECCFF	C17 46	C15 39	1	117	INDEX	C19 42	C18 14	1	73
ERDATAE	C15 07	C14 09	1	136	INDEX	C02 15	C18 14	2	243
ERDATAE/	C15 19	C14 13	1	135	INDSECNL	C19 44	C18 51	1	75
ERRDZE	C14 25	C13 25	1	142	INDSECEU	C19 41	C18 50	1	72
ERRFLAG	C05 47	C03 35	1	207	INDSECL	C20 26	C02 09	1	17
ERRGR	C04 17	C05 49	1	225	INDSECU	C20 52	C02 17	1	36
ENDATA	C17 14	C12 58	1	99	INTLK	C20 58	C18 10	1	39
ENDATAE	C17 10	C14 11	1	108	DC INTLK	C19 50	C20 56	1	81
ENDATAE/	C17 16	C14 07	1	109	INTLK	C19 50	C19 57	2	298
EXCURRL	C20 05	C05 21	1	3	DC INTLK	C01 39	C20 13	1	88
EXCURRU	C20 31	C05 23	1	22	DC INTLK	C18 08	C17 52	1	94
FCERR	C19 45	C15 49	1	76	DC INTLK	C17 50	C16 52	1	120
FLAG1	C04 43	C03 32	1	233	DC INTLK	C16 54	C15 32	1	121
FTIMER	C04 52	C03 54	1	219	DC INTLK	C15 34	C14 28	1	146
FUNC	C20 19	C06 52	1	14	DC INTLK	C14 30	C13 36	1	150
FUNC	C20 45	C06 52	2	33	DC INTLK	C13 38	C12 10	1	151
GND	C14 36	C13 30	1	139	DC INTLK	C12 12	C08 14	1	153
DC GND	C14 26	C13 26	1	143	DC INTLK	C08 12	C07 22	1	188
HDEXTL	C20 04	C04 51	1	2	DC INTLK	C07 24	C06 28	1	203
HDEXTU	C20 30	C04 47	1	21	DC INTLK	C06 26	C05 16	1	206
HDESEL	C20 11	C17 23	1	9	DC INTLK	C05 18	C04 42	1	214
HDESEL	C20 37	C17 23	2	28	DC INTLK	C04 40	C03 36	1	238
HDESEL	C20 09	C17 27	1	7	DC INTLK	C03 34	C02 20	1	242
HDESEL	C20 35	C17 27	2	26	DC INTLK	C02 18	C01 37	1	245
HDESEL	C19 15	C17 24	1	50	DC INTLK	C20 38	C20 12	1	299
HDESEL	C19 13	C17 25	1	48	DC INTLK	C20 39	C04 23	1	300
ILLADD	C19 46	C03 23	1	77	IOCLKENL	C19 26	C13 40	1	61
					IOCLK	C19 27	C12 46	1	301

<b>Burroughs Corporation</b> <small>DISK PACK PRODUCTS WESTLAKE PLANT WESTLAKE VILLAGE, CALIF. 91380 U.S. AMERICA</small>	PREP	PROJ	A2163 0611 C
	CHKD	APPD	
<small>PROPRIETARY TO BURROUGHS. NOT TO BE REPRODUCED OR USED FOR MANUFACTURING PURPOSES EXCEPT ON BURROUGHS ORDER OR PRIOR WRITTEN CONSENT.</small>			PAGE 5 OF 7 TITLE <b>CIRCUIT LIST - COMMON ELECT. MOD</b>

SIGNAL	FROM PIN	TO PIN	Z	SEQ	SIGNAL	FROM PIN	TO PIN	Z	SEQ
IOCLKENU	C19 24	C18 49	1	59	POSSETU	C09 36	C03 14	2	171
IPADD1	C04 19	C03 52	1	235	POSU/	C19 47	C04 25	1	78
IPADD2	C04 21	C03 51	1	236	PWRST/	C18 33	C04 18	1	90
IPADD4	C04 30	C03 45	1	237	PWRST/	C03 15	C04 18	2	239
LAMPL	C20 01	C05 07	1	1	RDATA	C16 07	C15 33	1	127
LAMPU	C20 29	C05 53	1	20	RDATA	C12 27	C15 33	2	147
LPCBYTE	C17 49	C16 37	1	115	RDATAE	C14 45	C12 13	1	144
LPCENC	C17 33	C16 47	1	113	RDATAE/	C14 43	C12 16	1	145
LPCERR/	C16 39	C15 41	1	130	RDATAENL	C19 18	C18 37	1	53
ONSCALE	C04 11	C08 19	1	226	RDATAENU	C19 20	C18 47	1	55
ONSCALEL	C20 08	C08 38	1	6	RDATINH	C17 39	C12 31	1	104
ONSCALEL	C08 38	C05 27	2	157	RDCLKE	C14 37	C12 14	1	141
ONSCALEU	C20 34	C08 40	1	25	RDCLKE/	C14 33	C12 11	1	140
ONSCALEU	C08 40	C05 37	2	158	RDDATA	C19 22	C15 37	1	57
ONSYNC	C17 53	C16 29	1	112	RDENLA	C18 54	C17 19	1	91
PARSEL	C19 48	C08 39	1	79	RDENLA	C16 17	C17 19	2	124
PARSEL	C08 39	C03 13	2	159	RDENLA	C12 23	C16 17	1	149
PORTASEL/	C04 15	C03 43	1	229	RDSTOP	C17 45	C12 45	1	119
PORTASEL/	C04 29	C03 44	1	232	RDYFSH	C19 06	C03 17	1	42
PORTASEL/	C04 41	C03 41	1	234	RDYLP/	C19 14	C03 18	1	49
POSITRKL	C20 28	C06 27	1	19	RUNCLOCK	C04 58	C03 37	1	223
POSITRKU	C20 54	C06 24	1	38	RWCOND/	C04 09	C18 12	1	248
PSL/	C19 12	C04 26	1	47	RWCONDB/	C04 10	C18 35	1	247
POSSET/	C15 53	C12 29	1	131	RWCLK	C04 22	C18 11	1	249
POSSET/	C12 29	C08 18	2	148	RWSEL	C19 17	C18 52	1	52
POSSETL	C19 09	C08 16	1	44	RWSEL	C18 52	C17 04	2	93
POSSETL	C08 16	C03 11	2	170	RWSEL	C17 04	C12 22	1	137
POSSETU	C19 02	C08 36	1	40	RWSEL	C12 22	C08 22	2	154
					RWSEL	C08 22	C02 51	1	160
					RWSELUE	C17 12	C15 17	1	111

<b>Burroughs Corporation</b> DISK PACK PRODUCTS WESTLAKE PLANT WESTLAKE VILLAGE, CALIF. 91380 U.S. AMERICA	PREP	PROJ	A2163 0611	C
	CHKD	APPD	PAGE 6 OF 7	
PROPRIETARY TO BURROUGHS. NOT TO BE REPRODUCED OR USED FOR MANUFACTURING PURPOSES EXCEPT ON BURROUGHS ORDER OR PRIOR WRITTEN CONSENT.			TITLE CIRCUIT LIST-COMMON ELECT. MOD.	


SIGNAL	FROM PIN	TO PIN	Z	SEQ
RW256	C12 17	C08 08	1	152
SECTOR	C19 43	C18 13	1	74
SECTOR	C17 42	C18 13	2	96
SECTOR	C15 51	C17 42	1	133
SECTOR	C04 14	C15 51	2	216
SECTOR	C04 14	C02 12	1	227
SECTOR/	C19 53	C02 13	1	84
SEEKDR/	C07 45	C03 49	1	191
SELCKLP	C19 16	C03 19	1	51
SETERR/	C05 15	C03 50	1	211
SGLCLK	C04 24	C18 09	1	246
SIGN	C06 35	C03 16	1	205
SIGN P	C07 52	C04 33	1	201
STRTIMER	C05 31	C03 24	1	213
SVCCLK	C18 23	C08 15	1	89
SVCCLK	C08 15	C04 54	2	189
SVCCLK	C04 54	C02 31	1	224
SVCCLK	C02 31	C01 39	2	244
SVCCLK	C01 09	C10 54	1	295
SVCCTRLAL	C20 17	C05 35	1	13
SVCCTRLAL	C03 09	C05 35	2	241
SVCCTRLAU	C20 43	C05 33	1	32
SVCCTRLAU	C03 08	C05 33	2	240
SVCCTRLBL	C20 15	C03 10	1	11
SVCCTRLBU	C20 41	C03 07	1	30
SYNC	C17 43	C16 19	1	95
TEMPC128L	C08 32	C06 09	1	184
TEMPC128U	C08 34	C06 21	1	185
TEMPC16L	C08 27	C06 14	1	178
TEMPC16U	C08 29	C06 22	1	179

SIGNAL	FROM PIN	TO PIN	Z	SEQ
TEMPC2L	C08 33	C06 13	1	172
TEMPC2U	C08 35	C06 16	1	173
TEMPC256L	C08 10	C06 11	1	186
TEMPC256U	C08 46	C06 19	1	137
TEMPC32L	C08 24	C06 07	1	180
TEMPC32U	C08 26	C06 25	1	181
TEMPC4L	C08 31	C06 10	1	174
TEMPC4U	C08 37	C06 18	1	175
TEMPC64L	C08 28	C06 08	1	182
TEMPC64U	C08 30	C06 23	1	183
TEMPC8L	C08 25	C06 12	1	176
TEMPC8U	C08 23	C06 20	1	177
TEMPNOIM	C20 40	C04 15	1	29
TEMPNOLIM	C20 14	C04 16	2	10
TPHARST/	C05 43	C04 50	1	215
TRURD/	C17 21	C12 51	1	103
TRURDE	C17 13	C14 17	1	101
TRUWRE	C17 07	C14 21	1	102
TYPE I	C17 17	C13 45	1	105
UPSPEEDL/	C05 25	C04 37	1	210
UPSPEEDL/	C04 37	C02 43	2	218
UPSPEEDU/	C05 17	C04 12	1	209
UPSPEEDU/	C04 12	C02 45	2	217
VGLSEN	C20 06	C05 29	1	4
VGLSEN	C05 29	C01 45	2	212
VGLSEN	C20 32	C01 45	1	23
VREF	C06 53	C01 33	1	234
VREF	C06 53	C06 15	2	226
VREF	C06 15	C06 17	1	297

<b>Burroughs Corporation</b> DISK PACK PRODUCTS WESTLAKE PLANT WESTLAKE VILLAGE, CALIF. 91380 U.S. AMERICA	PREP	PROJ	A2163 0611	C
	CHKD	APPD	PAGE 7 OF 7	
PROPRIETARY TO BURROUGHS. NOT TO BE REPRODUCED OR USED FOR MANUFACTURING PURPOSES EXCEPT ON BURROUGHS ORDER OR PRIOR WRITTEN CONSENT.			TITLE CIRCUIT LIST-COMMON ELECT. MOD.	


SIGNAL	FROM PIN	TO PIN	Z	SEQ
WCHIO/	C20 48	C12 04	1	34
WCHI1/	C20 22	C12 07	1	15
WCCNO/	C20 50	C12 24	1	35
WCCN1/	C20 24	C12 08	1	16
WIH/	C19 08	C17 41	1	43
WIH/	C19 10	C17 41	2	45
WIH/	C17 41	C12 19	3	100
WRDATA	C19 11	C16 09	1	46
WRDATAFC	C16 13	C12 09	1	122
WRENL	C19 31	C18 17	1	64
WRENLA	C18 53	C17 15	1	92
WRENLA	C16 11	C17 15	2	125
WRENLA	C15 43	C16 11	1	132
WRENU	C19 33	C18 19	1	66
WRITE/	C17 29	C12 30	1	118
2XRDCCKE	C14 35	C13 29	1	138
35VSEN	C20 16	C05 39	1	12
35VSEN	C20 42	C05 39	2	31



Burroughs Corporation 		PREP	PROJ	A- 2857 1818	REV A				
PERIPHERAL PRODUCTS GUADALAJARA PLANT GUADALAJARA, JAL., MEXICO		CHKD	APPD	PAGE 1 OF 7					
		TITLE CIRCUIT LIST-COMMON ELECT. MOD. D.S.							
PROPRIETARY TO BURROUGHS CORPORATION. NOT TO BE REPRODUCED NOR USED FOR MANUFACTURING PURPOSES EXCEPT ON BURROUGHS ORDER OR PRIOR WRITTEN CONSENT.									
REV	CONTROL DOC & N°	DR	CHK	APPD	PAGE	LINE OR #	REVISION	DESCRIPTION	CLASS CODE
A	ECN 10553	BARE		gley				INITIAL RELEASE.	

270

GUA 2708 5-76

Burroughs Corporation 		PREP	PROJ	A- 2857 1818	REV A
PERIPHERAL PRODUCTS GUADALAJARA PLANT GUADALAJARA, JAL., MEXICO		CHKD	APPD	PAGE 2 OF 7	
		TITLE CIRCUIT LIST-COMMON ELECT. MOD. D.S.			
PROPRIETARY TO BURROUGHS CORPORATION. NOT TO BE REPRODUCED NOR USED FOR MANUFACTURING PURPOSES EXCEPT ON BURROUGHS ORDER OR PRIOR WRITTEN CONSENT.					

SIGNAL	FROM PIN	TO PIN	Z	SEQ	SIGNAL	FROM PIN	TO PIN	Z	SEQ
C256	C08 20	C07 29	1	169	*SIGN	C20 27	C06 50	1	18
					*SIGN	C20 53	C06 50	2	37
C32	C08 41	C07 17	1	166	ADDCLR/	C19 38	C08 09	1	69
					ADDCLR/	C08 09	C07 39	2	155
C4	C08 42	C07 07	1	163	ADDCLR/	C07 39	C03 58	1	156
C64	C08 45	C07 19	1	167	BRDNL	C19 29	C18 20	1	62
C8	C08 53	C07 09	1	164	BRDNU	C19 34	C18 21	1	67
D=0	C07 50	C06 33	1	200	BY10	C19 52	C17 31	1	83
D=0	C04 34	C06 33	2	231	BY2	C19 56	C18 16	1	87
DAR1	C19 04	C07 43	1	41	BY2	C17 51	C18 16	2	98
DAR128	C19 40	C07 47	1	71	BY20	C19 51	C17 35	1	82
DAR16	C19 19	C07 53	1	54	BY64	C19 55	C18 15	1	86
DAR2	C19 23	C07 41	1	58	BY64	C16 49	C18 15	2	128
DAR256	C19 39	C07 54	1	70	CLEAR	C05 45	C03 39	1	208
DAR32	C19 30	C07 51	1	63	CLKDENE	C17 11	C14 15	1	106
DAR4	C19 25	C07 37	1	60	CLKDENE/	C17 09	C14 19	1	107
DAR64	C19 32	C07 49	1	65	CLOCK	C19 54	C17 32	1	85
DAR8	C19 21	C07 35	1	56	CLOCK	C17 32	C16 31	2	97
DATERR/	C16 33	C15 45	1	129	CLOCK	C16 31	C15 35	1	123
DFLAG	C04 08	C03 12	1	220	CLOCK	C15 35	C12 28	2	126
DGCLEAR	C09 39	C11 45	1	287	CNTL	C20 10	C08 11	1	8
DGCOND	C09 47	C10 20	1	289	CNTU	C20 36	C08 13	1	27
DGCOND/	C09 25	C10 07	1	290	COND	C04 20	C03 47	1	221
DGCTRBL	C09 10	C11 21	1	251	COND/	C04 07	C03 25	1	222
DGD FLAG	C09 12	C10 08	1	276	CTCK	C08 17	C07 36	1	190
DGDRIVEOP	C09 31	C10 31	1	271	CTCK	C04 31	C07 36	2	230
DGDRIVEOP	C10 31	C10 33	2	272	C1	C08 49	C07 12	1	161
DGDRIVEOP	C10 33	C10 34	1	273	C128	C08 47	C07 21	1	168
DGERRFLAG	C09 35	C11 47	1	278	C16	C08 43	C07 15	1	165
					C2	C08 51	C07 10	1	162

Burroughs Corporation PERIPHERAL PRODUCTS GUADALAJARA PLANT GUADALAJARA, JAL., MEXICO	PREP	PROJ	A-2857 1818	REV
	CHKD	APPD		PAGE 3 OF 7
PROPRIETARY TO BURROUGHS CORPORATION. NOT TO BE REPRODUCED NOR USED FOR MANUFACTURING PURPOSES EXCEPT ON BURROUGHS ORDER OR PRIOR WRITTEN CONSENT.				TITLE
				CIRCUIT LIST-COMMON ELECT. MOD. D.S.

Burroughs Corporation PERIPHERAL PRODUCTS GUADALAJARA PLANT GUADALAJARA, JAL., MEXICO	PREP	PROJ	A-2857 1818	REV
	CHKD	APPD		PAGE 4 OF 7
PROPRIETARY TO BURROUGHS CORPORATION. NOT TO BE REPRODUCED NOR USED FOR MANUFACTURING PURPOSES EXCEPT ON BURROUGHS ORDER OR PRIOR WRITTEN CONSENT.				TITLE
				CIRCUIT LIST-COMMON ELECT. MOD. D.S.

SIGNAL	FROM PIN	TO PIN	Z	SEQ	SIGNAL	FROM PIN	TO PIN	Z	SEQ
DGERROR	C10 17	C11 49	1	294	DGSPARE6	C09 30	C10 23	1	266
DGFLAG1	C09 32	C10 43	1	292	DGSPARE7	C09 33	C10 35	1	267
DGFTIMER	C09 54	C10 52	1	280	DGSPARE7	C10 35	C11 09	2	268
DGILLADD	C09 23	C11 39	1	259	DGSPARE8	C09 20	C10 25	1	269
DGIPADD1	C09 52	C10 19	1	286	DGSPARE8	C10 25	C10 26	2	270
DGIPADD2	C09 51	C10 21	1	285	DGSTRIMER	C09 24	C11 31	1	277
DGIPADD4	C09 45	C10 30	1	284	DGSUCTRLAU	C09 08	C11 33	1	274
DGPARSEL	C09 13	C11 17	1	253	DGSVCTRB	C09 07	C11 23	1	276
DGPORTASEL	C09 43	C10 15	1	281	DGSVCTRLAL	C09 09	C11 35	1	275
DGPORTBSEL	C09 44	C10 29	1	282	DGTPHRRST	C10 50	C11 43	1	293
DGPORTCSEL	C09 41	C10 41	1	283	DILLADD	C07 04	C04 35	1	202
DGPOSSETL	C09 11	C11 25	1	255	DIR/	C04 13	C08 21	1	203
DGPOSSETU	C09 14	C11 27	1	254	DIRL	C20 07	C08 07	1	5
DGPHRRST/	C09 15	C10 18	1	291	DIRU	C20 33	C08 04	1	24
DGRDYFLM	C09 17	C11 07	1	257	DRIVEOP	C19 35	C03 31	1	68
DGRDYL	C09 18	C11 53	1	256	DRIVEOP	C19 49	C03 31	2	80
DGRUNLOCK	C09 37	C10 58	1	288	D1	C07 13	C06 51	1	192
DGSELOCKLP	C09 19	C11 29	1	258	D128	C07 27	C06 37	1	199
DGSETERR	C09 50	C11 15	1	279	D16	C07 31	C06 43	1	196
DGSIGN	C09 16	C11 37	1	252	D2	C07 23	C06 49	1	193
DGSPARE1	C09 21	C10 16	1	260	D32	C07 33	C06 41	1	197
DGSPARE2	C09 22	C10 13	1	261	D4	C07 11	C06 47	1	194
DGSPARE3	C09 28	C10 14	1	262	D64	C07 25	C06 39	1	198
DGSPARE4	C09 27	C10 11	1	263	D8	C07 14	C06 45	1	195
DGSPARE5	C09 29	C10 51	1	264	ECCBYTE	C17 47	C16 15	1	116
DGSPARE5	C10 51	C10 47	2	265	ECCBYTE	C15 47	C16 15	2	134
					ECCCORR/	C17 37	C16 36	1	110
					ECCENC	C17 30	C16 45	1	114

SIGNAL	FROM PIN	TO PIN	Z	SEQ	SIGNAL	FROM PIN	TO PIN	Z	SEQ
ECCFF	C17 46	C15 39	1	117	INDEX	C19 42	C18 14	1	73
ERDATAE	C15 07	C14 09	1	136	INDEX	C02 15	C18 14	2	243
ERDATAE/	C15 19	C14 13	1	135	INDSECNL	C19 44	C18 51	1	75
ERDZE	C14 25	C13 25	1	142	INDSECENU	C19 41	C18 50	1	72
ERRFLAG	C05 47	C03 35	1	207	INDSECL	C20 26	C02 09	1	17
ERRGR	C04 17	C05 49	1	225	INDSECU	C20 52	C02 17	1	36
ENDATA	C17 14	C12 58	1	99	INTLK	C20 58	C18 10	1	39
ENDATAE	C17 10	C14 11	1	108	DC INTLK	C19 50	C20 51	1	81
ENDATAE/	C17 16	C14 07	1	109	INTLK	C19 50	C19 57	2	298
EXCURRL	C20 05	C05 21	1	3	DC INTLK	C01 39	C20 13	1	88
EXCURRU	C20 31	C05 23	1	22	DC INTLK	C18 08	C17 52	1	94
FCERR	C19 45	C15 49	1	76	DC INTLK	C17 50	C16 52	1	120
FLAG1	C04 43	C03 32	1	233	DC INTLK	C16 54	C15 32	1	121
FTIMER	C04 52	C03 54	1	219	DC INTLK	C15 34	C14 28	1	146
FUNC	C20 19	C06 52	1	14	DC INTLK	C14 30	C13 36	1	150
FUNC	C20 45	C06 52	2	33	DC INTLK	C13 38	C12 10	1	151
GND	C14 36	C13 30	1	139	DC INTLK	C12 12	C08 14	1	153
DC GND	C14 26	C13 26	1	143	DC INTLK	C08 12	C07 22	1	188
HDEXTL	C20 04	C04 51	1	2	DC INTLK	C07 24	C06 28	1	203
HDEXTU	C20 30	C04 47	1	21	DC INTLK	C06 26	C05 16	1	206
HDESEL	C20 11	C17 23	1	9	DC INTLK	C05 18	C04 42	1	214
HDESELX	C20 37	C17 23	2	28	DC INTLK	C04 40	C03 36	1	238
HDESELAY	C20 09	C17 27	1	7	DC INTLK	C03 34	C02 20	1	242
HDESELAY	C20 35	C17 27	2	26	DC INTLK	C02 18	C01 37	1	245
HDESELX	C19 15	C17 24	1	50	DC INTLK	C20 38	C20 12	1	299
HDESELY	C19 13	C17 25	1	48	DC INTLK	C20 39	C04 23	1	500
ILLADD	C19 46	C03 23	1	77	IOCLKENL	C19 26	C13 40	1	61
					IOCLK	C19 27	C12 46	1	301



<b>Burroughs Corporation</b> PERIPHERAL PRODUCTS GUADALAJARA PLANT GUADALAJARA, JAL., MEXICO	PREP	PROJ	A- 2857 1818 PAGE 7 OF 7	REV A
	CHKD	APPD		TITLE CIRCUIT LIST-COMMON ELECT MOD. D.S.

PROPRIETARY TO BURROUGHS CORPORATION. NOT TO BE REPRODUCED NOR USED FOR MANUFACTURING PURPOSES EXCEPT ON BURROUGHS ORDER OR PRIOR WRITTEN CONSENT.

SIGNAL	FROM PIN	TO PIN	Z	SEQ
WCH10/	C20 48	C12 04	1	34
WCH11/	C20 22	C12 07	1	15
MCON0/	C20 50	C12 24	1	35
MCON1/	C20 24	C12 08	1	16
WIH/	C19 08	C17 41	1	43
WIH/	C19 10	C17 41	2	45
WIH/	C17 41	C12 19	3	100
WRDATA	C19 11	C16 09	1	46
WRDATAFC	C16 13	C12 09	1	122
WRENL	C19 31	C18 17	1	64
WRENLA	C18 53	C17 15	1	92
WRENLA	C16 11	C17 15	2	125
WRENLA	C15 43	C16 11	1	132
WRENU	C19 33	C18 19	1	66
WRITE/	C17 29	C12 30	1	118
2XRDLKE	C14 35	C13 29	1	138
35VSEN	C20 16	C05 39	1	12
35VSEN	C20 42	C05 39	2	31
CLRPARU/	C03 53	C08 44		

276  
GUA 2706 5-76

<b>Burroughs Corporation</b> WESTLAKE PLANT WESTLAKE VILLAGE, CALIF. 91360 U.S. AMERICA		PREP J. GOLDEN 3-9-77 CHKD [Signature] 3/9/77	PROJ A-2163 0629 APPD PAGE 1 OF 10	REV C				
PROPRIETARY TO BURROUGHS CORPORATION NOT TO BE REPRODUCED OR USED FOR MANUFACTURING PURPOSES EXCEPT ON BURROUGHS ORDER OR PRIOR WRITTEN CONSENT			TITLE WIRE LIST-COMMON ELECT. MOD.					
REV	CONTROL DOC & NO	DFTSMN	CHKD	APPD & DATE	PAGE	LINE OR Q	REVISION DESCRIPTION	CLASS CODE
A	ECN 63029	SS					INITIAL RELEASE WAS 2162 6585	2-1509
B	ECN 63104	SS	CC	NHT 3/17/77	8	6	ADDED SEQ. 298 C19-50 TO C19-57 ADDED SEQ. 299 C20-38 TO C20-12 ADDED SEQ. 300 C20-39 TO C04-23 SEQ. 88 C01-39 TO C20-13 WAS C01-39 TO C20-38 DELETED: C20-58 TO C20-59 C20-13 TO C20-39 C20-13 TO C20-58	
C	ECN 10461	SS	SS	9/3/77 11-OCT-77	8	10	ADDED SEQ. 301 C19-27 TO C12-46 WIRE. 301 C19-27 TO C12-46	

PRINTED IN U.S. AMERICA

WES 1025 1-76

<b>Burroughs Corporation</b> <small>DISK PACK PRODUCTS WESTLAKE VILLAGE, CALIF 91360</small>		<small>WESTLAKE PLANT U.S. AMERICA</small>	<b>PREP</b> <small>CHKD</small>	<b>PROJ</b> <small>APPD</small>	<b>A2163 0629</b> C
<small>PROPRIETARY TO BURROUGHS. NOT TO BE REPRODUCED OR USED FOR MANUFACTURING PURPOSES EXCEPT ON BURROUGHS ORDER OR PRIOR WRITTEN CONSENT.</small>					<small>PAGE 2 OF 10</small>
<b>TITLE</b> <b>WIRE LIST-COMMON ELECT. MOD.</b>					

RE	SIGNAL	A-PIN	ATX	ATY	ADFY	B-PIN	BTX	BTY	BDFY	TRP	PAT	FSEQ	TSEQ
1	TPWRRST/	C05 43	9840	9505	8865	C04 50	10090	9130	8805	2	3	215	215
2	D=0	C06 33	9215	10005	9680	C07 50	10090	10630	9680	2	3	200	200
3	FLAG1	C03 32	9090	8630	8305	C04 43	9715	9535	8305	2	3	253	233
4	IPACD4	C04 30	8965	9130	8180	C03 45	9840	8505	8180	2	3	237	237
5	D12H	C07 27	8540	10505	9680	C06 37	9340	10005	9680	2	3	199	199
6	UPSPEDU/	C04 12	7840	9130	8805	C05 17	8090	9505	8805	2	3	209	209
7	TFMPC16L	C06 14	7985	10130	9805	C08 27	8715	11635	9305	2	3	178	178
8	INTLK	C08 12	7840	11130	10305	C07 22	8340	10630	10305	2	3	268	198
9	DGSPARE4	C10 11	7840	12035	11180	C09 27	8715	11525	11180	2	3	263	253
10	DGSPARE2	C10 13	7965	12005	11305	C09 22	8340	11630	11305	2	3	261	261
11	DGFLAG1	C09 32	9090	11630	11305	C10 43	9715	12005	11305	2	3	292	292
12	DGPORTBSEL	C10 29	8965	12005	11305	C09 44	9715	11630	11305	2	2	292	292
13	DGIPAND4	C10 30	8965	12130	11180	C09 45	9840	11525	11180	2	3	284	284
14	WREML	C18 17	8215	16035	15680	C19 31	8965	16505	15680	2	2	64	64
15	BROLMU	C18 21	8465	16005	15680	C19 34	9090	16630	15680	2	2	61	61
16	ISOLCENL	C19 26	8715	16630	15805	C18 40	9465	16130	15805	2	2	113	113
17	LPCLCNC	C17 33	9215	15505	14680	C16 47	9565	15005	14680	2	3	82	82
18	BYCP	C17 35	9340	15505	15180	C19 51	10215	16505	15180	2	2	72	72
19	INOSFENU	C19 41	9715	16505	15805	C18 50	10090	16130	15805	2	3	220	220
20	DFLAG	C03 12	8755	1-785	14460	C04 08	9130	15035	14460	3	3	213	213
21	STARTIMER	C03 24	8755	14035	13210	C05 47	9535	12535	13210	3	3	207	207
22	ERRFLAG	C03 35	8630	13285	12210	C05 47	9535	12535	12210	3	3	219	219
23	FTIMER	C03 54	8755	12160	11835	C04 52	9130	12245	11835	3	3	179	179
24	TEMPC16U	C06 22	10255	14160	13335	C08 29	11005	13660	13335	3	3	203	203
25	INTLK	C06 28	10255	13785	13460	C07 24	10430	14035	13460	3	3	251	251
26	DGCTRLB	C09 10	11735	14910	13855	C11 21	12505	13910	13855	3	3	253	253
27	DGPOSSETL	C09 11	11630	14785	13585	C11 25	12505	14410	14085	3	3	253	253
28	DGPARSEL	C09 13	11630	14660	14085	C11 07	12505	15035	14085	3	3	257	257
29	DGDRIVEFLM	C09 17	11630	14410	14085	C10 16	12130	14535	14085	3	3	260	260
30	DGSPARE1	C09 21	11630	14160	13935	C10 31	12005	12535	13210	3	3	271	271
31	DGDRIVEOP	C09 31	11630	13535	13210	C11 47	12505	12535	12210	3	3	275	278
32	DGERRFLAG	C09 35	11630	13285	12210	C14 26	14130	13910	13505	3	3	143	143
33	GND	C13 26	13735	13910	13585	C14 35	14005	13285	12960	3	3	138	138
34	ZXRCLKE	C13 29	13630	13660	12960	C14 35	14130	13660	12960	3	3	150	150
35	INTLK	C13 36	13785	13285	12960	C15 19	14505	14285	13960	3	3	135	135
36	ERDATAE/	C14 13	14130	14460	13960	C17 50	15630	12410	11960	3	2	120	120
37	INTLK	C16 52	15255	12285	11960	C19 13	16505	14660	13505	3	3	48	48
38	MOSELY	C17 25	16755	12410	11710	C20 56	17130	12035	11710	3	3	81	81
39	INTLK	C19 50	14140	9995	9670	C09 07	15035	10995	9670	4	3	230	230
40	DGSVCTRSU	C11 23	13765	11995	11045	C08 20	14285	11570	11045	4	3	169	169
41	C25A	C09 26	13910	10870	10045	C10 14	14660	10370	10045	4	3	232	232
42	DGSPARE3	C09 30	13785	10870	10170	C10 23	14035	10495	10170	4	3	249	249
43	DGSPARE6	C10 25	14085	10495	10170	C09 20	14285	10870	10170	4	3	254	254
44	DGSPARE8	C11 27	13910	9995	9670	C09 14	14660	10670	9670	4	3	259	259
45	DGPOSSETU	C11 39	13160	9995	9670	C09 23	14035	10995	9670	4	3	52	62
46	DGILLADD	C19 29	13765	5995	5670	C18 20	14285	6370	5670	4	3	56	66
47	BROENL	C19 33	13535	5655	5670	C18 19	14085	6445	5670	4	3	293	293
48	DGTPMRRST	C10 50	12535	10370	9670	C11 43	12705	9995	9670	4	3	129	129
49	DATERR/	C15 45	12785	7995	7170	C16 33	12410	7655	7170	4	3	114	114
50	LPCLCNC	C16 45	12785	7495	6545	C17 37	12660	6670	6545	4	3	115	115
51	EGCENC	C17 49	12535	5995	6670	C16 30	12660	7495	6670	4	3	232	232
52	LPCLCNC	C03 44	12910	13870	13270	C04 23	12410	11995	11670	4	3	197	197
53	PCPTSESEL/	C06 41	12035	12495	11670	C07 31	13535	11995	11670	4	3	156	156
54	D32	C06 43	12910	12495	11670	C07 31							
55	D16	C06 43	12910	12495	11670	C07 31							

<b>Burroughs Corporation</b> <small>DISK PACK PRODUCTS WESTLAKE VILLAGE, CALIF 91360</small>		<small>WESTLAKE PLANT U.S. AMERICA</small>	<b>PREP</b> <small>CHKD</small>	<b>PROJ</b> <small>APPD</small>	<b>A2163 0629</b> C
<small>PROPRIETARY TO BURROUGHS. NOT TO BE REPRODUCED OR USED FOR MANUFACTURING PURPOSES EXCEPT ON BURROUGHS ORDER OR PRIOR WRITTEN CONSENT.</small>					<small>PAGE 3 OF 10</small>
<b>TITLE</b> <b>WIRE LIST-COMMON ELECT. MOD.</b>					

WIRE	SIGNAL	A-PIN	ATX	ATY	ADFY	B-PIN	BTX	BTY	BDFY	TRP	PAT	FSEQ	TSEQ
56	INTLK	C03 34	13535	13870	13545	C02 20	14285	14370	13545	4	3	240	242
57	UPSPEDL/	C04 37	13285	13495	12670	C05 25	13910	12995	12670	4	3	212	210
58	INTLK	C06 26	14035	12370	12045	C05 16	14535	12870	12045	4	3	226	206
59	D44	C06 39	13160	12495	11670	C07 25	13910	11995	11670	4	3	198	190
60	FEMPCBL	C08 25	14075	11495	11170	C06 12	14785	12370	11170	4	2	176	176
61	VREF	C06 17	14335	12495	0	C06 15	14535	12495	0	4	1	293	297
62	SECTOR	C04 14	13445	7840	7390	C02 12	14370	7715	7390	1	3	227	227
63	INTLK	C04 40	13495	9465	8890	C03 36	13870	9215	8890	1	3	234	238
64	PORTCSEL/	C04-41	13620	9590	9265	C03 41	13995	9590	9265	1	3	234	234
65	CLEAR	C05 45	13120	9840	9140	C03 39	13995	9465	9140	1	3	268	208
66	TEMPCBU	C08 23	11620	8465	7380	C06 20	12370	8215	7890	1	3	177	177
67	DGDRIVEOP	C10 08	10495	7465	7140	C09 12	10870	7715	7140	1	3	276	276
68	DGTPMRRST/	C10 18	10445	8070	7640	C09 15	10995	7465	7640	1	3	273	273
69	DGDRIVEOP	C10 34	10495	9690	0	C10 33	10495	9090	0	1	1	267	267
70	DGSPARE7	C10 35	10620	9215	8765	C09 33	10995	9090	8765	1	3	283	283
71	DGDRIVEOP	C10 41	10620	9590	9265	C09 41	10995	9590	9265	1	3	280	280
72	DGFTIMER	C10 52	10495	10215	9850	C09 54	10870	10340	9890	1	3	258	258
73	DGSELCKCLP	C11 29	10120	8965	8140	C09 19	10995	8215	7890	1	3	277	277
74	DGSTRIMER	C11 31	10120	8965	8140	C09 24	10870	8465	8140	1	3	287	287
75	DGCLLEAR	C11 39	10120	8965	8140	C09 39	10995	9465	9140	1	3	142	142
76	ERDZE	C14 25	3620	8590	8265	C13 25	8995	8590	8265	1	3	139	139
77	GND	C14 25	3620	8590	8265	C13 30	8870	8840	8515	1	3	136	136
78	ERDATAE	C15 07	8120	7465	7140	C14 09	8495	7590	7140	1	3	146	146
79	INTLK	C15 07	8120	7465	7140	C14 28	8370	8715	8380	1	3	123	123
80	CLOCK	C16 39	7995	9090	8390	C15 35	7995	9215	8640	1	3	130	130
81	LPCLCNC	C16 31	7620	8765	8640	C15 41	7995	9590	9140	1	3	110	110
82	ECCORR/	C17 37	7120	9340	8890	C16 36	7370	8465	7640	1	3	50	50
83	MDSFLX	C19 15	6120	7965	7640	C17 24	6470	10215	9390	1	3	75	75
84	INDSECELN	C19 44	5995	9715	9390	C18 51	6495	10215	9390	2	3	224	224
85	SVCKLK	C02 31	9090	8005	7680	C04 54	10340	9130	7680	2	3	225	225
86	ERROR	C04 17	8215	9005	8680	C05 49	10340	9530	8680	2	3	235	235
87	IPACD1	C04 19	8340	9005	8305	C05 52	10215	8630	8305	2	3	221	221
88	COND	C04 20	8340	9130	8180	C03 47	9965	8505	8180	2	3	214	214
89	INTLK	C05 18	8215	9630	8805	C04 42	9590	9130	8805	2	3	166	166
90	C32	C07 17	8215	10505	10180	C08 41	9590	11005	10180	2	3	167	167
91	C64	C07 19	8340	10505	10180	C08 47	9965	110					

<b>Burroughs Corporation</b> DISK PACK PRODUCTS WESTLAKE VILLAGE, CALIF. 91360 WESTLAKE PLANT U.S. AMERICA		PREP CHKD	PROJ APPD	A2163 0629 C PAGE 4 OF 10
PROPRIETARY TO BURROUGHS. NOT TO BE REPRODUCED OR USED FOR MANUFACTURING PURPOSES EXCEPT ON BURROUGHS ORDER OR PRIOR WRITTEN CONSENT.			TITLE <b>WIRE LIST-COMMON ELECT. MOD.</b>	

<b>Burroughs Corporation</b> DISK PACK PRODUCTS WESTLAKE VILLAGE, CALIF. 91360 WESTLAKE PLANT U.S. AMERICA		PREP CHKD	PROJ APPD	A2163 0629 C PAGE 5 OF 10
PROPRIETARY TO BURROUGHS. NOT TO BE REPRODUCED OR USED FOR MANUFACTURING PURPOSES EXCEPT ON BURROUGHS ORDER OR PRIOR WRITTEN CONSENT.			TITLE <b>WIRE LIST-COMMON ELECT. MOD.</b>	

	A-PIN	ATX	ATY	ADFY	B-PIN	RTX	BTY	BDFY	TRP	PAT	FSEQ	TSEQ
1 SIGNAL	C18 16	8090	16130	15805	C19 56	10465	16630	15805	2	3	87	87
2 BYZ	C19 08	7990	16630	15180	C17 41	9590	15505	15180	2	3	43	43
3 WIH/	C09 18	8215	16300	11305	C11 53	10340	12505	11305	2	3	256	256
4 DGRDPLP	C10 19	8340	12205	11305	C09 52	9065	11505	11305	2	3	286	286
5 DGCND	C10 20	8340	12130	11180	C09 47	10340	14505	12690	2	3	280	280
6 POSSET/	C12 29	8965	13005	12680	C15 53	10340	15130	14305	2	3	121	121
7 INTLK	C15 32	9050	14630	14305	C16 54	9715	15505	14680	2	3	95	95
8 SYNC	C16 19	8340	15605	14680	C17 43	10340	16130	15180	2	3	91	91
9 RDNLA	C17 19	8215	15505	15805	C18 54	10215	16130	15805	2	3	52	52
0 RWSEL	C19 17	8215	16630	15680	C18 52	9340	16035	15680	2	3	53	53
1 RDATAENL	C19 18	9215	16630	15680	C18 37	12130	12160	11835	3	3	295	295
2 SVCCLK	C01 09	7630	14910	11835	C10 54	10005	12160	11835	3	3	204	204
3 VREF	C01 33	7630	13410	11835	C06 53	17130	13910	13585	3	3	17	17
4 INDSECL	C02 09	8130	14910	13585	C20 26	16505	12160	11835	3	3	64	64
5 SECTR/	C02 51	8130	12285	11960	C19 53	11130	14160	11960	3	3	160	160
6 RWSEL	C03 07	8630	15035	12585	C05 22	17005	12910	12585	3	3	30	30
7 SVCTRLBU	C03 16	8755	14535	12960	C20 41	13005	13285	12960	3	3	205	205
8 SIGN	C03 18	8755	14410	14005	C06 35	16630	14660	14085	3	3	49	49
9 ROYLP	C03 19	8630	14285	13960	C19 14	16630	14535	13960	3	3	51	51
10 SELCKLP	C03 58	8755	11910	11585	C19 16	10505	13035	11585	3	3	156	156
11 ADDCLR/	C04 10	9255	14910	12960	C07 39	16005	13285	12960	3	3	247	247
12 RWCOND/	C04 11	9130	14785	13965	C18 35	11005	14285	13960	3	3	226	226
13 ONSCALE	C04 13	9130	14660	13835	C09 19	11005	14285	13960	3	3	228	228
14 DIR/	C04 16	9255	14535	12710	C08 21	17130	13035	12710	3	3	29	29
15 TEMPNOIM	C04 23	9130	14035	12710	C20 40	17005	15035	12710	3	3	300	300
16 INTLK	C04 25	9130	13910	12210	C20 39	16505	12535	12210	3	3	98	98
17 POSU/	C04 26	9255	13910	13585	C19 47	16630	14785	13585	3	3	47	47
18 POSL/	C04 47	9130	12535	12210	C19 12	17130	13660	12210	3	3	21	21
19 HDEXTU	C05 07	9630	15035	14710	C20 01	17005	15410	14710	3	3	1	1
20 LAMPL	C05 23	9630	14035	13210	C20 02	17005	15335	13210	3	3	22	22
21 EXCURRU	C05 33	9630	13410	12440	C20 43	17005	12735	12440	3	3	32	32
22 LAMPU	C05 53	9630	12160	11835	C20 29	17005	13660	11835	3	3	20	20
23 TEMP32L	C06 07	10130	14910	13335	C08 24	11130	13285	13335	3	3	183	183
24 TEMP34U	C06 23	10130	14910	13335	C28 30	11130	13785	13450	3	3	19	19
25 POSITRKL	C07 01	10630	12910	12505	C20 28	16505	14035	12585	3	3	56	56
26 DAR2	C07 47	10630	12535	12210	C19 23	16630	13335	12210	3	3	71	71
27 DAR128	C07 49	10630	12470	12085	C19 40	16630	13535	12085	3	3	65	65
28 DAR32	C07 51	10630	12285	11960	C19 32	16630	13640	11960	3	3	63	63
29 DIRU	C08 04	11255	15285	13085	C19 30	17005	13410	13085	3	3	24	24
30 RWZES	C08 08	11255	15035	14085	C20 33	13005	14410	14085	3	3	152	152
31 CNTU	C08 13	11130	14660	12960	C12 17	17130	13285	12960	3	3	27	27
32 POSSETL	C08 36	11255	13285	12960	C20 35	16505	14910	12960	3	3	44	44
33 WCHN1/	C12 00	13255	15035	13710	C19 09	16630	15410	12960	3	3	40	40
34 WCHN2/	C12 22	13255	14160	13835	C19 02	17130	14150	13835	3	3	15	15
35 RWSEL	C12 51	13150	12535	12710	C20 24	15630	15285	13835	3	3	137	137
36 RDATAINH	C12 45	13130	12660	12335	C17 04	15505	13035	12710	3	3	104	104
37 RSTOP	C12 51	13130	12285	11960	C17 39	15505	12640	12335	3	3	119	119
38 TRURD/	C14 07	14130	12035	14210	C17 45	15505	14160	11960	3	3	103	103
39 ENDATAE/	C14 15	14130	14535	14210	C17 21	15630	14535	14210	3	3	109	109
40 TRURE	C14 21	14130	14160	13835	C17 11	15535	14785	14210	3	3	106	106
41 ECLFF	C15 39	14630	13035	12335	C17 07	15505	15035	12335	3	3	102	102
					C17 46	15630	12660	12335	3	3	117	117

	A-PIN	ATX	ATY	ADFY	B-PIN	RTX	BTY	BDFY	TRP	PAT	FSEQ	TSEQ
1 SIGNAL	C19 09	15130	14910	14460	C19 11	16505	14785	14460	3	3	46	46
2 BYZ	C20 58	12035	5370	5045	C18 10	14910	6270	5045	4	3	59	59
3 WIH/	C18 47	12660	6495	5545	C19 20	14285	5870	5545	4	3	55	55
4 DGRDPLP	C18 49	12535	6495	5545	C19 24	14035	5870	5545	4	3	58	58
5 DGCND	C19 42	13035	5670	5545	C18 14	14660	6370	5545	4	3	73	73
6 POSSET/	C19 52	12410	5670	5545	C17 31	13535	6905	5545	4	3	83	83
7 INTLK	C19 54	12245	5670	5545	C17 32	13535	6870	5545	4	3	85	85
8 SYNC	C20 38	13285	5370	5045	C20 12	14785	5370	5045	4	3	299	299
9 RDNLA	C08 32	13660	11370	11045	C06 09	14910	12495	11045	4	3	184	184
0 RWSEL	C08 32	13660	10995	10170	C10 07	15035	10495	10170	4	3	250	250
1 RDATAENL	C09 25	14035	9995	9670	C09 16	14535	10870	9670	4	3	252	252
2 SVCCLK	C11 37	13285	8070	8545	C12 10	14910	9370	8545	4	3	151	151
3 VREF	C13 38	13285	8495	8170	C12 11	14795	9495	8170	4	3	140	140
4 INDSECL	C14 33	13535	7595	7170	C16 07	15035	7495	7170	4	3	127	127
5 SECTR/	C15 33	13535	11370	11045	C07 07	15035	11995	11045	4	3	163	163
6 RWSEL	C08 42	12785	11370	11045	C06 19	14285	12495	11045	4	3	187	187
7 SVCTRLBU	C08 46	12910	10995	10170	C06 19	14285	12495	11045	4	3	281	281
8 SIGN	C09 43	12910	10995	10170	C10 15	14535	10495	10170	4	3	285	285
9 ROYLP	C09 51	12410	10495	10170	C10 21	14160	10495	10170	4	3	264	264
10 SELCKLP	C10 51	12535	9995	9670	C09 29	13660	10585	9670	4	3	294	294
11 ADDCLR/	C11 49	12910	8495	8170	C10 17	14410	10495	9670	4	3	145	145
12 RWCOND/	C14 43	12660	6995	6670	C12 16	14535	7495	6670	4	3	116	116
13 ONSCALE	C17 47	12660	6995	6670	C18 08	15035	6370	6045	4	3	94	94
14 DIR/	C17 52	12410	6870	6045	C16 29	13660	7495	6670	4	3	112	112
15 TEMPNOIM	C18 53	12285	6995	6670	C16 29	13660	7495	6670	4	3	52	52
16 INTLK	C19 55	12160	6495	6170	C17 15	14535	6495	6170	4	3	86	86
17 POSU/	C19 55	12160	5995	5670	C19 15	14535	6495	5670	4	3	286	286
18 POSL/	C10 58	12035	10370	10045	C09 37	13160	10995	10045	4	3	99	99
19 HDEXTU	C12 58	12035	9370	6545	C17 14	14660	6870	6545	4	3	223	223
20 LAMPL	C04 58	12035	13370	13045	C03 14	13160	13995	13045	4	3	236	236
21 EXCURRU	C03 51	12410	13995	13170	C02 21	14160	13495	13170	4	3	152	152
22 LAMPU	C06 51	12410	12495	11670	C07 13	14660	11995	11670	4	3	165	165
23 TEMP32L	C06 51	12410	12495	11670	C07 15	14535	11995	11670	4	3	161	161
24 TEMP34U	C08 43	12910	11495	11170	C07 12	14785	11870	11170	4	3	164	164
25 POSITRKL	C08 49	12535	11495	11170	C07 09	14910	11995	11170	4	3	245	245
26 DAR2	C08 53	12285	11495	11170	C02 18	14410	14370	14045	4	3	222	222
27 DAR128	C01 37	13285	14995	13170	C04 07	15035	13495	13170	4	3	172	172
28 DAR32	C03 25	14035	13995	13170	C06 13	14660	11995	11170	4	3	175	175
29 DIRU	C08 33	13535	11495	11170	C06 18	14410	12370	11170	4	3	191	191
30 RWZES	C08 37	13285	11495	11170	C03 49	13995	10090	9515	1	3	201	201
31 CNTU	C07 45	12160	9840	9515	C04 33	13495	9690	8765	1	3	184	184
32 POSSETL	C07 52	11495	7590	7265	C06 11	12495	7715	7265	1	3	181	181
33 WCHN1/	C08 10	11495	8265	8265	C06 25	12495	8590	8265	1	3	155	155
34 WCHN2/	C08 26	11495	8015	8015	C06 21	12495	8340	8015	1	3	153	153
35 RWSEL	C08 34	94										

<b>Burroughs Corporation</b> DISK PACK PRODUCTS WESTLAKE PLANT WESTLAKE VILLAGE, CALIF. 91360 U.S. AMERICA	PREP	PROJ	<b>A2163 0629</b> C PAGE 6 OF 10
	CHKD	APPD	
PROPRIETARY TO BURROUGHS. NOT TO BE REPRODUCED OR USED FOR MANUFACTURING PURPOSES EXCEPT ON BURROUGHS ORDER OR PRIOR WRITTEN CONSENT.			TITLE <b>WIRE LIST-COMMON ELECT. MOD.</b>

SEQ TYPE	SIGNAL	PIN 1	PIN 2	SEQ TYPE	SIGNAL	PIN 1	PIN 2
1	LAMPL	C20 01	C05 07	55	RDATAENU	C19 20	C18 47
2	MDEXTL	C20 04	C04 51	56	DARB	C19 21	C07 35
3	EXCURRL	C20 05	C05 21	57	RDDATA	C19 22	C15 37
4	VOLSEN	C20 06	C05 29	58	DAR2	C19 23	C07 41
5	DIRL	C20 07	C08 07	59	IOCLKENU	C19 24	C18 49
6	DNFCALEL	C20 08	C08 39	60	DAR4	C19 25	C07 37
7	HOSELAY	C20 09	C17 27	61	IOCLKENL	C19 26	C18 40
8	CNTL	C20 10	C06 11	62	BRDENL	C19 29	C18 20
9	HOSELAL	C20 11	C17 23	63	DAR32	C19 30	C07 51
10	TEMPNOLIM	C20 14	C04 16	64	WRENL	C19 31	C18 17
11	SVOCNRLBL	C20 15	C03 10	65	DAR64	C19 32	C07 49
12	3SVSEN	C20 16	C05 39	66	WRENJ	C19 33	C18 19
13	SVOCNRLAL	C20 17	C06 52	67	BRDENU	C19 34	C18 21
14	FUNC	C20 19	C12 07	68	DRIVEOP	C19 38	C08 09
15	WCM11/	C20 22	C12 08	69	ADDCLR/	C19 39	C07 54
16	WCON1/	C20 24	C02 09	70	DAR256	C19 40	C07 47
17	INDSECL	C20 26	C06 50	71	DAR128	C19 41	C18 50
18	*SIGN	C20 27	C06 50	72	INDSEGENJ	C19 42	C18 14
19	POSITRKL	C20 28	C06 27	73	INDEX	C19 43	C18 13
20	LAMPJ	C20 29	C05 53	74	SECTOR	C19 44	C18 51
21	MDEXTH	C20 30	C04 47	75	INDSEGENL	C19 44	C18 51
22	EXCURRU	C20 31	C05 23	76	FCERR	C19 45	C15 49
23	VOLSEN	C20 32	C01 45	77	ILLADD	C19 46	C03 23
24	DIRU	C20 33	C08 04	78	PSIU/	C19 47	C04 25
25	DNSCALEU	C20 34	C08 40	79	PARSEL	C19 48	C08 39
26	HOSELAY	C20 35	C17 27	80	DRIVEOP	C19 49	C03 31
27	CNTU	C20 36	C08 13	81	INTLK	C19 50	C20 56
28	HOSELAL	C20 37	C17 23	82	BY2C	C19 51	C17 35
29	TEMPNOIM	C20 40	C04 16	83	BY10	C19 52	C17 31
30	SVOCNRLBU	C20 41	C03 07	84	SECTOR/	C19 53	C02 13
31	3SVSEN	C20 42	C05 39	85	CLCK	C19 54	C17 32
32	SVOCNRLAU	C20 43	C05 33	86	BY54	C19 55	C18 15
33	FUNC	C20 45	C06 52	87	BY2	C19 56	C18 16
34	WCM10/	C20 48	C12 04	88	INTLK	C01 39	C20 13
35	WCON0/	C20 50	C12 24	89	SVOCLK	C18 23	C08 15
36	INDSECU	C20 52	C02 17	90	PWRRST/	C18 33	C03 18
37	*SIGN	C20 53	C06 50	91	RDENLA	C18 54	C17 15
38	POSITRKU	C20 54	C06 24	92	WRENLA	C18 53	C17 15
39	INTLK	C20 58	C18 10	93	RWSEL	C18 52	C17 04
40	POSSETU	C19 02	C08 36	94	INTLK	C18 08	C17 52
41	DAR1	C19 04	C07 43	95	SYNC	C17 43	C16 19
42	RDYFSH	C19 08	C03 17	96	SECTOR	C17 32	C16 31
43	WIH/	C19 08	C17 41	97	CLCK	C17 51	C18 16
44	POSSBTL	C19 09	C08 16	98	BY2	C17 51	C12 58
45	WIH/	C19 10	C17 41	99	ENDATA	C17 41	C12 19
46	WRDATA	C19 11	C16 09	100	WIH/	C17 13	C14 17
47	PRSLA/	C19 12	C04 26	101	TRURDE	C17 07	C14 21
48	HOSELV	C19 13	C17 25	102	TRUHRE	C17 21	C12 51
49	RDYLP/	C19 14	C03 18	103	TRURD/	C17 21	C12 51
50	HOSELV	C19 15	C17 24	104	RDATINH	C17 39	C12 31
51	SELCKLP	C19 16	C03 29	105	TYPE I	C17 17	C13 45
52	RWSEL	C19 17	C16 52	106	CLKRENE	C17 11	C14 15
53	RDATAENL	C19 18	C18 37	107	CLKPENE/	C17 09	C14 19
54	DAR16	C19 19	C07 53	108	ENDATAE	C17 10	C14 11

<b>Burroughs Corporation</b> DISK PACK PRODUCTS WESTLAKE PLANT WESTLAKE VILLAGE, CALIF. 91360 U.S. AMERICA	PREP	PROJ	<b>A2163 0629</b> C PAGE 7 OF 10
	CHKD	APPD	
PROPRIETARY TO BURROUGHS. NOT TO BE REPRODUCED OR USED FOR MANUFACTURING PURPOSES EXCEPT ON BURROUGHS ORDER OR PRIOR WRITTEN CONSENT.			TITLE <b>WIRE LIST-COMMON ELECT. MOD.</b>

SEQ TYPE	SIGNAL	PIN 1	PIN 2	SEQ TYPE	SIGNAL	PIN 1	PIN 2
109	ENDATAE/	C17 36	C14 07	163	C4	C08 42	C07 07
110	ECCORR/	C17 37	C16 36	164	C8	C08 53	C07 09
111	RWSELUE	C17 12	C15 17	165	C16	C08 43	C07 15
112	ONSEYNC	C17 53	C16 29	166	C32	C08 41	C07 17
113	LPCEHC	C17 30	C16 45	167	C64	C08 45	C07 19
114	ECCBYTE	C17 49	C16 37	168	C128	C08 47	C07 21
115	LPCHYTE	C17 47	C16 35	169	C256	C08 20	C07 29
116	ECCFF	C17 46	C15 39	170	POSSETL	C08 16	C03 11
117	WRITE/	C17 29	C12 30	171	POSSETU	C08 36	C03 14
118	RDSTOP	C17 45	C12 45	172	TEMPC2L	C08 33	C06 13
119	INTLK	C17 50	C16 52	173	TEMPC2U	C08 35	C06 16
120	INTLK	C16 54	C15 32	174	TEMPC4L	C08 31	C06 10
121	WRDATAE	C16 13	C12 09	175	TEMPC4U	C08 37	C06 18
122	CLOCK	C16 31	C15 35	176	TEMPCBL	C08 25	C06 12
123	RDENLA	C16 17	C17 19	177	TEMPCBL	C08 23	C06 20
124	WRENLA	C16 11	C17 15	178	TEMPC16L	C08 27	C06 14
125	CLOCK	C15 35	C12 28	179	TEMPC16U	C08 29	C06 22
126	RDATA	C16 07	C15 33	180	TEMPC32L	C08 24	C06 07
127	BY64	C16 49	C18 15	181	TEMPC32U	C08 26	C06 25
128	DATERR/	C16 33	C15 45	182	TEMPC64L	C08 28	C06 08
129	LPCEPR/	C16 39	C15 41	183	TEMPC64U	C08 30	C06 23
130	POSSET/	C15 53	C12 29	184	TEMPC128L	C08 32	C06 09
131	WRENLA	C15 43	C16 11	185	TEMPC128U	C08 34	C06 21
132	SECTOR	C15 51	C17 42	186	TEMPC256L	C08 10	C06 11
133	ECCBYTE	C15 47	C16 15	187	TEMPC256U	C08 46	C06 19
134	ERDATAE/	C15 19	C14 13	188	INTLK	C08 12	C07 22
135	ERDATAE/	C15 07	C14 09	189	SVOCLK	C08 15	C04 54
136	RWSEL	C17 04	C12 22	190	CTCK	C08 17	C07 26
137	2*RDCLKE	C14 35	C13 29	191	SEEKDR/	C07 45	C03 49
138	GND	C14 36	C13 30	192	D1	C07 23	C06 49
139	RDCLKE/	C14 33	C12 11	193	D2	C07 23	C06 47
140	RDCLKE	C14 37	C12 14	194	D4	C07 14	C06 45
141	ERDZE	C14 25	C13 25	195	D8	C07 11	C06 43
142	GND	C14 26	C13 26	196	D16	C07 31	C06 41
143	RDATAE	C14 45	C12 13	197	D32	C07 35	C06 39
144	RDATAE/	C14 43	C12 16	198	D64	C07 25	C06 37
145	INTLK	C15 34	C14 28	199	D128	C07 27	C06 37
146	RDATA	C12 27	C15 33	200	D=	C07 50	C06 33
147	ROESET/	C12 29	C08 18	201	SIGN P	C07 52	C04 33
148	RDENLA	C12 23	C16 17	202	DILLADD	C07 04	C04 35
149	INTLK	C14 30	C13 36	203	INTLK	C07 24	C06 28
150	INTLK	C13 38	C12 10	204	VREF	C06 53	C01 23
151	RW256	C12 17	C08 14	205	SIGN	C06 35	C01 16
152	INTLK	C12 12	C08 22	206	INTLK	C06 35	C01 16
153	RWSEL	C12 22	C07 39	207	ERRFLAG	C05 47	C03 35
154	ADDCLR/	C08 09	C07 39	208	CLEAR	C05 45	C03 39
155	ADDCLR/	C07 39	C05 58	209	UPSPEEDU/	C05 17	C04 12
156	DNSCALEL	C08 38	C05 37	210	UPSPEEDL/	C05 25	C04 37
157	DNSCALEU	C08 40	C03 19	211	SETERR/	C05 15	C01 50
158	PARSEL	C08 39	C03 19	212	VOLSEN	C05 29	C01 45
159	RWSEL	C08 22	C02 51	213	STRIMER	C05 31	C02 24
160	C1	C08 44	C07 12	214	INTLK	C05 18	C04 42
161	C2	C08 51	C07 10	215	TPWRRST/	C05 43	C04 50
162				216	SECTOR	C04 14	C15 51

Burroughs Corporation DISK PACK PRODUCTS WESTLAKE VILLAGE, CALIF. 91360	PREP	PROJ	A2163 0629 C
	CHKD	APPD	
PROPRIETARY TO BURROUGHS. NOT TO BE REPRODUCED OR USED FOR MANUFACTURING PURPOSES EXCEPT ON BURROUGHS ORDER OR PRIOR WRITTEN CONSENT.			TITLE WIRE LIST-COMMON ELECT. MOD.

SEQ	TYPE	SIGNAL	PIN 1	PIN 2
217	1	UPSPEDU/	C04 17	C07 45
218	1	UPSPEDL/	C04 37	C02 43
219	1	FTIMER	C04 52	C03 54
220	1	DFLAG	C04 08	C03 12
221	1	COND	C04 20	C03 47
222	1	COND/	C04 07	C03 25
223	1	RUNCLOCK	C04 58	C03 37
224	1	SVCLK	C04 54	C02 31
225	1	ERROR	C04 17	C05 49
226	1	QNSCALE	C04 11	C08 19
227	1	SECTOR	C04 14	C02 12
228	1	DIR	C04 13	C08 21
229	1	PORTASEL/	C04 15	C03 43
230	1	CTCK	C04 31	C07 36
231	1	D=O	C04 34	C06 33
232	1	PORTBSEL/	C04 29	C03 44
233	1	FLAC1	C04 43	C03 32
234	1	PORTCSEL/	C04 41	C03 41
235	1	IPADD1	C04 19	C03 52
236	1	IPADD2	C04 21	C03 51
237	1	IPADD4	C04 30	C03 45
238	1	INTLK	C04 40	C03 36
239	1	PWRST/	C03 15	C04 18
240	1	SVCTR LAU	C03 08	C05 33
241	1	SVCTR LAL	C03 09	C05 35
242	1	INTLK	C03 34	C02 20
243	1	INDEX	C02 15	C18 14
244	1	SVCLK	C02 31	C01 09
245	1	INTLK	C02 18	C01 37
246	1	SGLCLK	C04 24	C18 09
247	1	RWCND/	C04 10	C18 35
248	1	RWCND/	C04 09	C18 12
249	1	RHMCLK	C04 22	C18 11
250	1	DGCVTRBU	C09 07	C11 23
251	1	DGCVTRBL	C09 10	C11 21
252	1	DGSGN	C09 16	C11 37
253	1	DGPARSEL	C09 13	C11 17
254	1	DGPOSSETU	C09 14	C11 27
255	1	DGPOSSFTL	C09 11	C11 25
256	1	DGRDVL P	C09 18	C11 53
257	1	DGFDYFLH	C09 17	C11 07
258	1	DGSELCKL	C09 19	C11 29
259	1	DGILLADD	C09 23	C11 39
260	1	DGSPARE1	C09 21	C10 16
261	1	DGSPARE2	C09 22	C10 13
262	1	DGSPARE3	C09 28	C10 14
263	1	DGSPARE4	C09 27	C10 11
264	1	DGSPARE5	C09 29	C10 51
265	1	DGSPARE6	C10 51	C10 47
266	1	DGSPARE6	C09 30	C10 23
267	1	DGSPARE7	C09 33	C10 35
268	1	DGSPARE7	C10 35	C11 09
269	1	DGSPARE8	C09 20	C10 25
270	1	DGSPARE8	C10 25	C10 26

Burroughs Corporation DISK PACK PRODUCTS WESTLAKE VILLAGE, CALIF. 91360	PREP	PROJ	A2163 0629 C
	CHKD	APPD	
PROPRIETARY TO BURROUGHS. NOT TO BE REPRODUCED OR USED FOR MANUFACTURING PURPOSES EXCEPT ON BURROUGHS ORDER OR PRIOR WRITTEN CONSENT.			TITLE WIRE LIST-COMMON ELECT. MOD.

WIRE	SIGNAL	A-PIN	ATX	ATY	ADFY	B-PIN	BTX	BTY	BDFY	TRP	PAT	FSEQ	TSEQ
221	RWCND/	C18 12	6495	7715	7265	CC4 09	13495	7590	7265	1	3	248	243
222	SVCLK	C18 23	6620	8465	7640	CC0 15	11495	7865	7640	1	3	89	89
223	PWRST/	C18 33	6620	9090	7765	CC4 18	13370	8090	7765	1	3	90	90
224	DAR1	C19 04	5995	7215	6890	CC0 43	11995	9715	6990	1	3	42	42
225	KDFESH	C19 06	5995	7340	7015	CC3 17	11995	8080	7015	1	3	54	54
226	DAR16	C19 19	6120	8215	7590	CC0 53	11995	10340	7890	1	3	56	56
227	DAR6	C19 21	6120	8340	8015	CC0 35	11995	9215	8015	1	3	57	57
228	RDDATA	C19 22	5995	8340	8015	C15 37	7995	9340	8015	1	3	60	60
229	DAR4	C19 25	6120	8590	8265	CC0 31	11995	9340	8265	1	3	59	59
230	DRIVEOP	C19 35	6120	9215	8640	CC8 09	11495	7590	7265	1	3	69	69
231	ADDCLR/	C19 38	5995	9340	7265	CC7 54	11870	10340	9140	1	3	70	70
232	DAR256	C19 39	6120	9465	9140	C15 49	7995	10090	9515	1	3	76	76
233	FCERR	C19 45	6120	9840	9515	CC3 23	13995	8465	8140	1	3	77	77
234	ILLAND	C19 46	5995	9840	8140	CC8 39	11495	9465	9140	1	3	79	79
235	PARSEL	C19 48	5995	9965	9140	CC4 51	13495	10215	6890	1	3	2	2
236	HDFXTL	C20 04	5495	7215	6890	CC3 21	12995	8340	7015	1	3	3	3
237	EXCURRL	C20 05	5620	7340	7015	CC5 29	12995	8840	7015	1	3	4	4
238	VDLSEN	C20 06	5495	7340	7015	CC8 07	11495	7465	7140	1	3	5	5
239	DIRL	C20 08	5495	7465	7140	CC8 38	11370	9340	7140	1	3	6	6
240	QNSCALE	C20 09	5620	7590	7265	CC1 27	6995	8715	7265	1	3	7	7
241	HDSLAY	C20 10	5495	7590	7265	CC8 11	11495	7715	7265	1	3	8	8
242	CNTL	C20 11	5620	7715	7340	CC17 23	6995	9465	7390	1	3	9	9
243	HDSLAL	C20 13	5620	7840	7515	CC0 39	14995	9465	7515	1	3	88	88
244	INTLK	C20 15	5620	7965	7265	CC3 10	13870	7590	7265	1	3	11	11
245	SVCTR LBL	C20 16	5495	7965	7640	CC5 39	12995	9465	7640	1	3	12	12
246	SVCTRLAL	C20 17	5620	8090	7765	CC5 35	12995	9215	7765	1	3	13	13
247	FUNC	C20 19	5620	8215	7890	CC6 52	12370	10215	7690	1	3	14	14
248	*SIGN	C20 27	5620	8715	8390	CC6 50	12370	10090	8390	1	3	18	18
249	VDLSEN	C20 32	5495	8965	8640	CC1 45	14995	9840	8640	1	3	23	23
250	QNSCALEU	C20 34	5495	9090	8765	CC8 40	11370	9465	8765	1	3	25	25
251	WCHIO/	C20 48	5495	9965	6890	CC2 04	9370	7215	6590	1	3	24	24
252	WCHIO/	C20 50	5495	10090	8140	CC2 24	9370	8465	8140	1	3	35	35
253	INDSECU	C20 52	5495	10215	7765	CC2 17	14495	8090	7765	1	3	36	36
254	POSITR KU	C20 54	5495	10340	8140	CC6 24	12370	8465	8140	1	3	36	36



<b>Burroughs Corporation</b> <small>DISK PACK PRODUCTS WESTLAKE PLANT WESTLAKE VILLAGE, CALIF. 91360 U.S. AMERICA</small>	PREP	PROJ	<b>A2163 0629 C</b>
	CHKD	APPD	
<small>PROPRIETARY TO BURROUGHS. NOT TO BE REPRODUCED OR USED FOR MANUFACTURING PURPOSES EXCEPT ON BURROUGHS ORDER OR PRIOR WRITTEN CONSENT.</small>			<b>TITLE</b> <b>WIRE LIST-COMMON ELECT. MOD.</b>

RE	SIGNAL	A-PIN	ATX	ATY	ADFY	B-PIN	BTX	BTY	BDFY	TRP	PAT	FSEQ	TSEQ
56	SVOCTRLAL	C03 09	7715	6505	8180	C05 35	9215	9505	8180	2	3	241	241
57	VREF	C04 15	8090	10005	9680	C06 53	10340	10505	9680	2	3	296	296
58	ADDCLR/	C08 09	7715	11005	10180	C07 39	9465	12005	10180	2	3	155	155
59	DGSPARE7	C11 09	7715	12505	11680	C10 35	9215	12005	11680	2	3	268	268
60	ECCBYTE	C16 15	8090	16005	14680	C15 47	9965	14505	14180	2	3	134	134
61	BY64	C18 15	8090	16005	14680	C16 49	10390	15025	14680	2	3	128	128
62	VOLSEN	C01 45	7630	12660	12335	C05 29	9505	13660	12335	3	3	212	212
63	INDEX	C02 15	8130	14535	14210	C18 14	16130	14660	14210	3	3	243	243
64	PARSEL	C03 13	8630	14660	12710	C08 39	11005	13035	12710	3	3	159	159
65	DRIVEDP	C03 31	8630	13535	12085	C19 49	14505	12285	11960	3	3	60	60
66	SECTOR	C04 14	9255	14660	11960	C15 51	11130	13160	12835	3	3	216	216
67	ONSCALEL	C05 27	9630	13785	12835	C08 38	11130	13160	12835	3	3	157	157
68	ONSCALEU	C05 37	9630	13160	12710	C08 40	11130	13035	12710	3	3	158	158
69	3VSEN	C05 39	9630	13035	12565	C20 42	17130	12910	12585	3	3	31	31
70	*SIGN	C06 50	10255	12-10	11835	C20 43	17005	12160	11835	3	3	37	37
71	FINC	C06 52	10255	12285	11960	C20 45	17005	12660	11960	3	3	33	33
72	CLOCK	C12 28	13255	13785	12960	C15 35	14505	15285	12960	3	3	126	126
73	HDSLEX	C17 23	15630	14635	12835	C20 37	17005	13160	12835	3	3	28	28
74	HDSLEY	C17 27	15630	13785	12560	C20 35	17005	13285	12960	3	3	26	26
75	WMH/	C17 41	13035	6595	5545	C19 10	14910	5870	5545	4	3	45	45
76	SECTOR	C17 42	13035	6870	6170	C18 13	14660	6495	6170	4	3	96	96
77	BY2	C17 51	12410	6995	6045	C18 16	14535	6370	6045	4	3	98	98
78	RNSL	C18 52	12410	6370	6045	C17 04	15245	6870	6045	4	3	93	93
79	UPSPEEDU/	C02 45	12785	14495	13045	C04 12	14785	13370	13045	4	3	217	217
80	SVCLK	C04 54	12285	13370	11170	C08 15	14535	11495	11170	4	3	139	139
81	SVCLK	C02 31	13640	14495	14170	C01 09	14910	14995	14170	4	3	244	244
82	SVOCTRLAU	C05 33	13535	12995	12670	C03 08	14910	14995	14170	4	3	240	240
83	CTCK	C07 38	11995	9215	8640	C03 08	15035	13870	12670	4	3	233	233
84	PCSETL	C08 16	11495	7965	7390	C04 31	13495	8965	8640	1	3	170	170
85	POSSETU	C09 36	11495	9215	7515	C03 11	13995	7715	7390	1	3	171	171
86	RWSEL	C12 22	9495	8340	8015	C03 14	13870	7840	7515	1	3	154	154
87	POSSET/	C12 29	9620	8840	7745	C09 22	11370	8340	8015	1	3	148	148
88	RDATA	C15 33	8120	9090	8390	C08 18	11370	8090	7745	1	3	147	147
89	TEMPNCLIM	C20 14	5495	7840	7515	C12 27	9495	8715	8390	1	3	10	10
90	DGDRIVEOP	C10 31	9093	12005	0	C04 16	13370	7965	7515	2	1	272	272
91	DGSPARE5	C10 47	10090	12005	11680	C10 33	9090	12005	0	2	2	265	265
92	INTLK	C19 50	10215	16630	16180	C10 51	10215	12005	0	2	3	298	298
93	UP SPEEDL/	C02 43	8130	12785	12460	C19 57	10590	16505	16180	3	3	218	218
94	PHRRST/	C03 15	8630	14535	14085	C04 37	9005	13160	12460	3	3	239	239
95	D=0	C04 34	9255	13410	13085	C04 18	9130	14410	14085	3	3	231	231
96	DGSPARE8	C10 25	12130	13910	0	C06 33	10005	13410	13085	3	3	270	270
97	WRENLA	C16 11	15130	14785	14210	C10 26	12130	13910	0	3	1	125	125
98	RDENLA	C16 17	15120	14410	13960	C17 15	15505	14535	14210	3	3	124	124
99	CLOCK	C16 31	15130	13535	13210	C17 19	15505	14285	13960	3	3	97	97
300	INTLK	C20 39				C17 32	15630	13535	13210	3	3	300	300
301	IOCLK	C19 27				C04 23						301	301
						C12 46							

<b>Burroughs Corporation</b> <small>PERIPHERAL PRODUCTS GUADALAJARA PLANT GUADALAJARA, JAL., MEXICO</small>		PREP	PROJ	REV					
		CHKD	APPD	A- 2857 1826					
		<small>PROPRIETARY TO BURROUGHS CORPORATION. NOT TO BE REPRODUCED NOR USED FOR MANUFACTURING PURPOSES EXCEPT ON BURROUGHS ORDER OR PRIOR WRITTEN CONSENT.</small>		TITLE <b>WIRE LIST-COMMON ELECT. MOD. D.S.</b>					
REV	CONTROL DOC & N°	DR	CHK	APPD	PAGE	LINE OR 99	REVISION	DESCRIPTION	CLASS CODE
A	KCN 10553	3008		gley				INITIAL RELEASE.	

Burroughs Corporation PERIPHERAL PRODUCTS GUADALAJARA PLANT GUADALAJARA, JAL., MEXICO	PREP	PROJ	A- 2857 1826	REV
	CHKD	APPD		A
PROPRIETARY TO BURROUGHS CORPORATION. NOT TO BE REPRODUCED NOR USED FOR MANUFACTURING PURPOSES EXCEPT ON BURROUGHS ORDER OR PRIOR WRITTEN CONSENT.			PAGE 2 OF 10	
TITLE		Wire list-Common Elect. Mod. D.S.		

Burroughs Corporation PERIPHERAL PRODUCTS GUADALAJARA PLANT GUADALAJARA, JAL., MEXICO	PREP	PROJ	A- 2857 1826	REV
	CHKD	APPD		A
PROPRIETARY TO BURROUGHS CORPORATION. NOT TO BE REPRODUCED NOR USED FOR MANUFACTURING PURPOSES EXCEPT ON BURROUGHS ORDER OR PRIOR WRITTEN CONSENT.			PAGE 3 OF 10	
TITLE		Wire list - Common Elec. Mod. D.S.		

WIRE	SIGNAL	A-PIN	ATX	ATY	ADFY	B-PIN	BTX	BTY	BDFY	TRP	PAT	FSEQ	TSEQ
1	TMRRST/	C05 43	9840	9505	8805	C04 50	10090	9130	8805	2	3	215	215
2	D=0	C06 33	9215	10005	9680	C07 50	10090	10630	9680	2	3	200	200
3	FLAG1	C03 32	9090	8630	8305	C04 43	9715	9035	8305	2	3	233	233
4	IPADD4	C04 30	8965	9130	8180	C06 37	9840	8505	8180	2	3	237	237
5	D128	C07 27	8540	10505	9680	C06 37	9340	10005	9680	2	3	199	199
6	UPSPEDU/	C04 12	7840	9130	8805	C05 17	8090	9505	8805	2	3	209	209
7	TEMPC16L	C06 14	7965	10130	9605	C07 22	8715	11605	9805	2	3	178	178
8	INTLK	C08 12	7840	11130	10305	C07 22	8340	10630	10305	2	3	168	168
9	DGSPARE4	C10 11	7840	12005	11180	C09 22	8715	11505	11180	2	3	263	263
10	DGSPARE2	C10 13	7965	12005	11305	C09 22	8340	11630	11305	2	3	261	261
11	DGFLAG1	C09 32	9090	11630	11305	C10 43	9715	12005	11305	2	3	292	292
12	DGPORTBSEL	C10 29	8965	12005	11305	C09 44	9715	11630	11305	2	3	292	282
13	DGIPADD4	C10 30	8965	12130	11180	C09 44	9715	11630	11305	2	3	284	284
14	WRENLU	C18 17	8215	16005	15480	C19 34	9090	16630	15680	2	3	67	67
15	BRDENU	C18 21	8465	16005	15805	C18 40	9465	16130	15805	2	3	61	61
16	IDCLKENL	C19 26	8715	16630	15805	C16 47	9965	15005	14680	2	3	113	113
17	LPCENC	C17 33	8215	15505	14680	C19 51	10215	16505	15180	2	3	82	82
18	BY2C	C17 35	9540	15505	15805	C18 50	10090	16130	15805	2	3	72	72
19	INDSECENU	C19 41	9715	16505	15805	C04 08	9130	15035	14460	3	3	220	220
20	DFLAG	C03 12	8755	14785	14460	C05 31	9505	13535	13210	3	3	213	213
21	STRTIMER	C03 24	8755	14035	13210	C05 47	9505	12535	12210	3	3	207	207
22	ERRFLAG	C03 35	8630	13285	12210	C05 47	9505	12285	11835	3	3	219	219
23	FTIMER	C03 54	8755	12160	11835	C04 52	11005	13660	13335	3	3	179	179
24	TEMPC16U	C06 22	10255	14160	13335	C07 24	10630	14035	13460	3	3	203	203
25	INTLK	C06 28	10255	13785	13460	C11 21	12505	14160	13835	3	3	251	251
26	DGCTRBL	C09 10	11755	14910	13835	C11 21	12505	13910	13585	3	3	255	255
27	DGPARSEL	C09 11	11630	14785	13585	C11 17	12505	14410	14085	3	3	253	253
28	DGPARSEL	C09 13	11630	14660	14085	C11 17	12505	14410	14085	3	3	257	257
29	DGDRYFLH	C09 17	11630	14410	14085	C11 07	12505	15035	14085	3	3	260	260
30	DGSPARE1	C09 21	11630	14160	13835	C10 16	12205	14535	13835	3	3	271	271
31	DGDRIVEOP	C09 31	11620	13335	13210	C10 31	12205	12535	12210	3	3	278	278
32	DGERRFLAG	C09 35	11630	13285	12210	C11 47	12505	12535	12210	3	3	143	143
33	GND	C13 26	13755	13910	13585	C14 26	14005	13285	12960	3	3	138	138
34	ZXRDLKE	C13 29	13630	13660	12960	C14 35	14130	13660	12960	3	3	150	150
35	INTLK	C13 36	13755	13285	12960	C14 30	14505	14285	13960	3	3	135	135
36	ERDATAE/	C14 13	14130	14660	13960	C15 19	15630	12410	11960	3	3	120	120
37	INTLK	C16 52	15255	12285	11960	C19 13	16505	14660	13585	3	3	48	48
38	MDSELY	C17 25	15630	13910	13585	C20 56	17130	12035	11710	3	3	81	81
39	INTLK	C19 50	16755	12410	11710	C09 07	15035	10995	9670	4	3	250	250
40	DGVSCTRBU	C11 23	14160	9995	9670	C08 20	14285	11370	11045	4	3	169	169
41	C256	C07 29	13785	11995	11045	C10 14	14660	10370	10045	4	3	262	262
42	DGSPARE3	C09 28	13910	10870	10035	C10 23	14035	10495	10170	4	3	266	266
43	DGSPARE6	C09 30	13785	10870	10170	C09 20	14285	10870	10170	4	3	269	269
44	DGSPARE8	C10 29	14035	10495	10170	C09 20	14660	10870	9670	4	3	254	254
45	DGPOSSETU	C11 27	13910	9995	9670	C09 14	14035	10995	9670	4	3	259	259
46	DGILLADD	C11 39	13160	9995	9670	C08 23	14285	6370	5670	4	3	62	62
47	BRDENU	C19 33	13785	9995	9670	C18 19	14285	6495	5670	4	3	66	66
48	WRENU	C19 33	13335	9995	9670	C11 43	12705	9995	9670	4	3	293	293
49	DGTPMRRST	C10 50	12535	10370	9670	C16 33	13410	7495	7170	4	3	129	129
50	DATER/	C15 44	12785	7995	7170	C17 30	13660	6870	6545	4	3	114	114
51	ECCENC	C16 45	12785	7495	6545	C17 30	13660	6870	6545	4	3	115	115
52	LPCBYTE	C17 44	12535	9995	6670	C16 37	13160	7495	6670	4	3	232	232
53	PCRTGSEL/	C03 44	12910	13870	13170	C04 29	13660	13495	13170	4	3	197	197
54	D32	C06 41	13035	12495	11670	C07 33	13410	11995	11670	4	3	197	197
55	D16	C06 43	12910	12495	11670	C07 31	13535	11995	11670	4	3	196	196

WIRE	SIGNAL	A-PIN	ATX	ATY	ADFY	B-PIN	BTX	BTY	BDFY	TRP	PAT	FSEQ	TSEQ
56	INTLK	C03 34	13535	13870	13545	C02 20	14285	14370	13545	4	3	242	242
57	UPSPEDL/	C04 37	13285	13495	12670	C05 25	13910	12995	12670	4	3	210	210
58	INTLK	C06 26	14035	12370	12045	C05 14	14535	12870	12045	4	3	206	206
59	D44	C06 39	13160	12495	11670	C07 25	13910	11995	11670	4	3	198	198
60	TEMPCEL	C08 25	14035	11495	11170	C08 12	14785	12370	11170	4	3	174	174
61	VEFF	C06 17	14535	12495	0	C06 15	14535	12495	0	4	1	297	297
62	SECTOR	C04 14	13495	7840	7390	C02 12	14370	7715	7390	4	1	227	227
63	INTLK	C04 40	13495	9465	8890	C03 36	13870	9215	8890	1	3	236	236
64	PORTCSEL/	C04 41	13620	9990	9265	C03 41	13995	9590	9265	1	3	234	234
65	LEAR	C05 45	13120	9840	9140	C03 39	13995	9465	9140	1	3	208	208
66	TEMPCU	C08 23	11620	8365	7840	C04 20	12370	8215	7890	1	3	177	177
67	DGDFLAG	C10 08	10495	7465	7140	C09 12	10870	7715	7140	1	3	276	276
68	DGTPMRRST/	C10 18	10495	8090	7640	C09 15	10995	7965	7640	1	3	291	291
69	DGDRIVEOP	C10 34	10495	9090	0	C10 33	10495	9090	0	1	1	273	273
70	DGSPARE7	C10 35	10620	9215	8765	C09 33	10995	9090	8765	1	3	267	267
71	DGSPRTCSEL	C10 41	10620	9590	9265	C09 41	10995	9590	9265	1	3	283	283
72	DGFTIMER	C10 52	10495	10215	7950	C09 54	10870	10340	9890	1	3	280	280
73	DGSELCKLPL	C11 29	10120	8840	8140	C09 24	10870	8465	8140	1	3	258	258
74	DGSTRTIMER	C11 31	10120	8965	8140	C09 19	10995	8215	7890	1	3	277	277
75	DGCLEAR	C11 45	10120	9840	9140	C09 39	10995	9465	9140	1	3	287	287
76	ERDZE	C14 25	8620	8250	8265	C13 25	8995	8590	8265	1	3	142	142
77	GND	C14 36	8495	7465	7140	C13 30	8870	8840	8515	1	3	139	139
78	ERDATAE	C15 07	8120	9090	8390	C13 30	8870	8840	8515	1	3	136	136
79	INTLK	C16 31	7995	8965	8640	C14 09	8495	7950	7140	1	3	146	146
80	CLOCK	C16 39	7620	8965	8140	C14 28	8370	8715	8390	1	3	123	123
81	LPCERR/	C17 37	7120	9340	8940	C15 35	7995	9215	8640	1	3	130	130
82	ECCERR/	C19 15	6120	7965	7640	C15 41	7995	9590	9140	1	3	110	110
83	MDSELY	C19 44	5995	9715	9390	C16 36	7370	9215	8890	1	3	50	50
84	INDSECENU	C02 31	9090	8005	7680	C17 24	6870	8445	7640	1	3	75	75
85	SVOCLK	C04 17	9005	9005	8660	C18 51	6495	10215	9390	1	3	224	224
86	ERRCR	C04 19	8340	9005	8305	C05 49	10090	9535	8680	2	3	225	225
87	IPADD1	C04 20	8340	9130	8180	C03 52	10215	8630	8305	2	3	235	235
88	COND	C05 18	8215	9630	8805	C04 42	9965	8505	8180	2	3	221	221
89	INTLK	C07 17	8215	10505	10180	C04 42	9965	9130	8805	2	3	214	214
90	C32	C07 17	8215	10505	10180	C08 41	9590	11005	10180	2	3	167	167
91	C44	C07 19	8340	10505	10180	C08 45	9840	11005	10180	2	3	168	168
92	C128	C07 21	8465	10505	10180	C08 47	9965	11005	10180	2	3	193	193
93	D												

Burroughs Corporation PERIPHERAL PRODUCTS GUADALAJARA PLANT GUADALAJARA, JAL., MEXICO	PREP	PROJ	A- 2857 1826	REV
	CHKD	APPD		PAGE 4 OF 10
PROPRIETARY TO BURROUGHS CORPORATION. NOT TO BE REPRODUCED NOR USED FOR MANUFACTURING PURPOSES EXCEPT ON BURROUGHS ORDER OR PRIOR WRITTEN CONSENT.			TITLE	
			Wire list- Common Elect. Mod. D. S.	

Burroughs Corporation PERIPHERAL PRODUCTS GUADALAJARA PLANT GUADALAJARA, JAL., MEXICO	PREP	PROJ	A- 2857 1826	REV
	CHKD	APPD		PAGE 5 OF 10
PROPRIETARY TO BURROUGHS CORPORATION. NOT TO BE REPRODUCED NOR USED FOR MANUFACTURING PURPOSES EXCEPT ON BURROUGHS ORDER OR PRIOR WRITTEN CONSENT.			TITLE	
			Wire list - Common Elect. Mod. D. S.	

IRE	SIGNAL	A-PIN	ATX	ATY	ADFY	B-PIN	BTX	BTY	BDYF	TRP	PAT	FSEQ	TSEQ
111	BY2	C18 16	8090	16130	15805	C19 56	10465	16630	15805	2	3	87	87
112	WIH/	C19 08	7590	16630	15180	C17 41	9590	15505	15180	2	3	43	43
113	DGRDYL	C09 18	8215	11630	11305	C11 53	10240	12505	11305	2	3	256	256
114	DGIPADD1	C10 19	8340	12005	11305	C09 52	10215	11630	11305	2	3	286	286
115	DGCOND	C10 20	8340	12130	11180	C09 47	8965	14505	12600	2	3	289	289
116	POSSET/	C12 29	8965	13005	12680	C15 53	10340	15130	14305	2	3	131	131
117	INTLK	C15 32	9050	14630	14305	C16 54	9715	15505	14680	2	3	95	95
118	SYNC	C16 19	8340	15005	14680	C17 43	10340	16130	15180	2	3	91	91
119	RNDENLA	C17 19	8340	15505	15180	C18 54	10215	16130	15805	2	3	52	52
120	RNSCL	C19 17	8215	16505	15605	C18 52	9340	16075	15680	2	3	53	53
121	RDATAENL	C19 18	8215	16630	15680	C18 37	12130	12160	11835	3	3	295	295
122	SVCCCK	C01 09	7630	14910	11835	C10 54	10005	12160	11835	3	3	204	204
123	WREF	C01 33	7630	13410	11835	C06 53	17130	13410	13585	3	3	17	17
124	IND SECL	C02 09	8130	14910	13585	C20 26	16505	12160	11835	3	3	84	84
125	SECTOR/	C02 13	8130	14660	11835	C19 53	11130	14160	11950	3	3	160	160
126	RNSCL	C02 51	8130	12285	11960	C08 22	17005	12410	12585	3	3	30	30
127	SVCTRLBU	C03 07	8630	15035	12585	C20 41	13005	13285	12940	3	3	205	205
128	SIQH	C03 16	8755	14535	12960	C06 35	16630	14660	14085	3	3	49	49
129	ROYLP/	C03 18	8755	14410	14085	C19 14	16630	14535	13960	3	3	51	51
130	SELCKL	C03 19	8630	14285	13960	C19 16	16505	13035	11585	3	3	156	156
131	ADDCLR/	C03 58	8755	11910	11585	C07 39	16005	13285	12960	3	3	247	247
132	RWCND/	C04 10	9255	14910	12960	C18 35	11005	14285	13960	3	3	226	226
133	ONSACLE	C04 11	9130	14785	13960	C08 19	11005	14160	13835	3	3	228	228
134	DIR/	C04 13	9130	14660	13835	C08 21	11005	14160	13835	3	3	228	228
135	TEPNOIM	C04 16	9255	14535	12710	C20 40	17130	13035	12710	3	3	29	29
136	INTLK	C04 23	9130	14035	12710	C20 39	17005	15035	12710	3	3	300	300
137	POSU/	C04 25	9130	13910	12210	C19 47	16505	12525	12210	3	3	73	73
138	POSU/	C04 26	9255	13910	13585	C19 12	16630	14785	13585	3	3	-7	-7
139	HDEXTU	C04 47	9130	12535	12210	C20 30	17130	13660	12210	3	3	21	21
140	LAMPL	C05 07	9630	15035	14710	C20 01	17005	15410	14710	3	3	1	1
141	EXCURR	C05 23	9630	14035	13210	C20 31	17005	13535	13210	3	3	22	22
142	SVCTRLAU	C05 33	9630	13410	12460	C20 43	17005	12785	12460	3	3	32	32
143	LAMPU	C05 53	9630	12160	11835	C20 29	17005	13660	11835	3	3	20	20
144	TEMPC32L	C06 07	10130	15035	13710	C08 24	11130	14035	13710	3	3	190	180
145	TEMPC64U	C06 23	10130	14035	13335	C08 30	11130	13660	13335	3	3	183	183
146	POSITRKL	C06 27	10130	13785	13460	C20 28	17130	13785	13460	3	3	19	19
147	DAR2	C07 41	10650	12910	12585	C19 23	16505	14035	12585	3	3	58	58
148	DAR128	C07 47	10630	12535	12210	C19 40	16630	13535	12085	3	3	65	65
149	DAR64	C07 49	10630	12420	12085	C19 32	16630	13660	11960	3	3	63	63
150	DAR32	C07 51	10630	12285	11960	C19 30	17005	13410	13985	3	3	24	24
151	DIRU	C08 04	11255	15285	13835	C20 33	13005	14410	14085	3	3	152	152
152	RW256	C08 08	11255	15035	14085	C12 17	17130	13285	12960	3	3	27	27
153	CRU	C08 13	11130	14660	12960	C20 36	16505	14910	14210	3	3	44	44
154	POSSETL	C08 16	11255	14535	14210	C19 09	16630	15410	12960	3	3	40	40
155	POSSETU	C08 36	11255	13285	12960	C19 02	17130	14160	13835	3	3	15	15
156	WGHIL/	C12 07	13130	15035	13835	C20 22	17130	14035	13710	3	3	16	16
157	WCGNII/	C12 08	13255	15035	13710	C20 24	16630	15285	13835	3	3	137	137
158	RWSEL	C12 22	13255	14160	13835	C17 04	15505	13035	12710	3	3	164	164
159	RDATINH	C12 31	13130	13535	12710	C17 39	15505	12660	12335	3	3	119	119
160	RDSSTU	C12 45	13130	12660	12335	C17 45	15505	14160	11960	3	3	103	103
161	TRURD/	C14 01	14130	12285	11960	C17 21	15630	14935	14210	3	3	109	109
162	ENDATAE/	C14 07	14130	15035	14210	C17 16	15505	14785	14210	3	3	106	106
163	CLKONE	C14 15	14130	14535	14210	C17 11	15505	14785	14210	3	3	106	106
164	TRUWE	C14 21	14130	14160	13835	C17 07	15505	15035	13835	3	3	102	102
165	ECCFF	C15 39	14430	13035	12335	C17 46	15630	12660	12335	3	3	117	117

IRE	SIGNAL	A-PIN	ATX	ATY	ADFY	B-PIN	BTX	BTY	BDYF	TRP	PAT	FSEQ	TSEQ
166	WRDATA	C16 09	15130	14910	14460	C19 11	16505	14785	14460	3	3	46	46
167	INTLK	C20 58	12035	5370	5045	C18 10	14910	6570	5045	4	3	39	39
168	RDATAENU	C18 47	12660	6495	5545	C19 20	14285	5870	5545	4	3	55	55
169	ICCLKENU	C18 49	12535	6495	5545	C19 24	14035	5670	5545	4	3	59	59
170	INDEX	C19 42	13035	5670	5545	C18 14	14660	6370	5545	4	3	73	73
171	BY10	C19 52	12410	5870	5545	C17 31	13535	6995	5545	4	3	83	83
172	CLOCK	C19 54	12285	5870	5545	C17 32	13535	6870	5545	4	3	85	85
173	INTLK	C20 38	13285	5370	5045	C20 12	14785	5370	5045	4	3	299	299
174	TEMPC126L	C08 32	13660	11370	11045	C06 09	14910	12495	11045	4	3	184	184
175	OGCOND/	C09 25	14035	10995	10170	C10 07	15035	10495	10170	4	3	290	290
176	DG SIGN	C11 37	13285	9995	8545	C09 16	14535	10870	9670	4	3	252	252
177	INTLK	C13 38	13285	8870	8545	C12 10	14910	9370	8545	4	3	151	151
178	OGCOND/	C09 25	14035	10995	10170	C12 11	14785	9695	8170	4	3	140	140
179	RDATA	C14 33	13535	7995	7170	C16 07	15035	7495	7170	4	3	127	127
180	C4	C08 42	13035	11370	11045	C07 07	15035	11995	11045	4	3	163	163
181	TEMPC256U	C08 46	12785	11370	11045	C06 19	14285	12495	11045	4	3	187	187
182	DGPORTASEL	C09 43	12910	10995	10170	C10 15	14535	10495	10170	4	3	281	281
183	DGIPADD2	C09 51	12410	10495	10170	C10 21	14160	10495	10170	4	3	285	285
184	DGSPARES	C10 51	12410	10495	10170	C09 29	13660	10595	10170	4	3	264	264
185	DGERROR	C10 51	12535	9995	9670	C10 17	14410	10495	9670	4	3	145	145
186	DGDATAE/	C14 43	12660	6995	6670	C12 16	14535	9370	8170	4	3	116	116
187	ECCYTE	C17 47	12410	6870	6670	C18 08	15035	6370	6045	4	3	94	94
188	INTLK	C17 52	12410	6995	6670	C16 29	13660	7495	6670	4	3	52	52
189	ONSYNC	C17 53	12285	6495	6170	C17 15	14535	6495	6170	4	3	96	96
190	WRENLA	C18 53	12285	6495	6170	C18 15	14535	6495	6170	4	3	96	96
191	BY64	C19 55	12160	5995	5670	C09 37	13160	10995	10045	4	3	288	288
192	DGRUNCLCK	C10 58	12035	9370	8545	C17 14	14660	6870	6545	4	3	99	99
193	EWDATA	C12 58	12035	9370	8545	C03 37	13160	13995	13045	4	3	223	223
194	RUNCLCK	C04 58	12035	13370	13045	C04 21	14160	13495	13170	4	3	236	236
195	IPADD2	C03 51	12410	13995	13170	C07 13	14660	11995	11670	4	3	192	192
196	D1	C06 51	12410	12495	11670	C07 15	14535	11995	11710	4	3	165	165
197	C16	C08 43	12910	11495	11170	C07 12	14785	11870	11170	4	3	161	161
198	C1	C08 49	12535	11495	11170	C07 09	14910	11995	11170	4	3	164	164
199	C8	C08 53	12535	11495	11170	C07 09	14910	11995	11170	4	3	245	245
200	INTLK	C01 37	13285	14995	14045	C02 18	14410	13470	14045	4	3	222	222
201	COND/	C03 25	14035	13995	13170	C04 07	15035	13495					

Burroughs Corporation PERIPHERAL PRODUCTS GUADALAJARA PLANT GUADALAJARA, JAL., MEXICO	PREP	PROJ	A- 2857 1826	REV
	CHKD	APPD		PAGE 6 OF 10

Burroughs Corporation PERIPHERAL PRODUCTS GUADALAJARA PLANT GUADALAJARA, JAL., MEXICO	PREP	PROJ	A- 2857 1826	REV
	CHKD	APPD		PAGE 7 OF 10

PROPRIETARY TO BURROUGHS CORPORATION. NOT TO BE REPRODUCED NOR USED FOR MANUFACTURING PURPOSES EXCEPT ON BURROUGHS' ORDER OR PRIOR WRITTEN CONSENT.

Wire list - Common Elect. Mod. D. S.

PROPRIETARY TO BURROUGHS CORPORATION. NOT TO BE REPRODUCED NOR USED FOR MANUFACTURING PURPOSES EXCEPT ON BURROUGHS' ORDER OR PRIOR WRITTEN CONSENT.

Wire List - Common Elect. Mod. D.S.

SEQ TYPE	SIGNAL	PIN 1	PIN 2	SEQ TYPE	SIGNAL	PIN 1	PIN 2
1	LAMPL	C20 01	C05 07	55	RDATENU	C19 20	C18 47
2	HDEXTL	C20 04	C04 51	56	CARD	C19 21	C07 35
3	EXCURRL	C20 05	C05 21	57	RDDATA	C19 22	C07 37
4	VOLSEN	C20 07	C05 29	58	DAK2	C19 23	C07 41
5	DIRL	C20 08	C08 07	59	IOCLKENU	C19 24	C18 49
6	DNSCALEL	C20 09	C08 39	60	DAR4	C19 25	C07 37
7	HDESELY	C20 10	C08 11	61	IOCLKENL	C19 26	C18 20
8	CNTL	C20 11	C17 23	62	BRDENL	C19 29	C07 51
9	HDESELAL	C20 12	C04 16	63	DAR22	C19 30	C07 17
10	TEMPNOLIM	C20 14	C04 16	64	WRENL	C19 31	C18 49
11	SVOCYRLBL	C20 15	C03 10	65	DAR64	C19 32	C07 49
12	3SVSEN	C20 16	C05 39	66	WRENU	C19 33	C18 19
13	SVOCYRLAL	C20 17	C05 35	67	BRDENL	C19 34	C18 21
14	FUNC	C20 19	C06 52	68	DRIVEDP	C19 35	C03 31
15	WCHII/	C20 22	C12 07	69	ADDCLR/	C19 38	C07 54
16	WCONL/	C20 24	C12 08	70	DAF256	C19 39	C07 47
17	INDSECL	C20 26	C02 09	71	DAR128	C19 40	C18 50
18	*SIGN	C20 27	C04 50	72	INDSECEMU	C19 41	C18 14
19	POSITRKL	C20 28	C06 27	73	INDEX	C19 42	C18 13
20	LAMPU	C20 29	C05 53	74	SECTOR	C19 43	C18 51
21	HDEXTU	C20 30	C04 47	75	INDSECENL	C19 44	C15 49
22	EXCURRU	C20 31	C05 23	76	FCERR	C19 45	C03 23
23	VOLSEN	C20 32	C01 45	77	ILLADD	C19 46	C04 25
24	DIRU	C20 33	C02 04	78	POSU/	C19 47	C08 39
25	DNSCALEU	C20 34	C08 40	79	PARSEL	C19 48	C03 31
26	HDESELY	C20 35	C17 27	80	DRIVEDP	C19 49	C20 56
27	CNTU	C20 36	C08 13	81	INTLK	C19 50	C17 35
28	HDESELAX	C20 37	C17 23	82	BY2G	C19 51	C17 35
29	TEMPNOLIM	C20 40	C04 16	83	BY10	C19 52	C02 13
30	SVOCYRLBL	C20 41	C03 07	84	SECTOR/	C19 53	C17 32
31	3SVSEN	C20 42	C05 39	85	CLOCK	C19 54	C18 15
32	SVOCYRLAU	C20 43	C05 33	86	BY54	C19 55	C18 16
33	FUNC	C20 45	C06 52	87	BY2	C19 56	C20 13
34	WCHIO/	C20 48	C12 04	88	INTLK	C01 39	C08 15
35	WCONG/	C20 50	C12 24	89	SVOCCLK	C18 23	C04 18
36	INDSECU	C20 52	C02 17	90	PHRRST/	C18 33	C17 15
37	*SIGN	C20 53	C06 50	91	RDENLA	C18 34	C17 15
38	POSITRKU	C20 54	C06 24	92	WRENLA	C18 53	C17 04
39	INTLK	C20 58	C18 10	93	RWSEL	C18 52	C17 52
40	POSSETU	C19 02	C08 36	94	INTLK	C18 08	C16 19
41	DAR1	C19 04	C07 43	95	SYNC	C17 42	C18 13
42	RDYFSH	C19 06	C03 17	96	SECTOR	C17 32	C16 31
43	WIP/	C19 08	C17 41	97	CLOCK	C17 51	C18 16
44	POSSETL	C19 09	C08 16	98	BY2	C17 14	C12 58
45	WIP/	C19 10	C17 41	99	EWDATA	C17 41	C12 19
46	WRDATA	C19 11	C16 09	100	WIP/	C17 13	C14 17
47	PRSL/	C19 12	C04 26	101	TRUDE	C17 07	C14 21
48	HDESELY	C19 13	C17 25	102	TRUWRE	C17 07	C12 51
49	RDYLP/	C19 14	C03 18	103	TRURD/	C17 21	C12 31
50	HDESELK	C19 15	C17 24	104	PDATINH	C17 39	C13 45
51	SELCKLPL	C19 16	C03 19	105	TYPE I	C17 11	C14 15
52	RWSEL	C19 17	C18 52	106	CLKPENE	C17 11	C14 19
53	RDATENL	C19 18	C18 37	107	CLKPENE/	C17 09	C14 19
54	DAR16	C19 19	C07 53	108	EWDATAE	C17 10	C14 11

SEQ TYPE	SIGNAL	PIN 1	PIN 2	SEQ TYPE	SIGNAL	PIN 1	PIN 2
109	EWDATAE/	C17 16	C14 07	163	C4	C08 42	C07 07
110	ECCCORR/	C17 37	C16 36	164	C8	C08 53	C07 09
111	RWSELUE	C17 12	C15 17	165	C16	C08 43	C07 15
112	DNSENC	C17 53	C16 29	166	C32	C08 41	C07 17
113	LPCENC	C17 33	C16 47	167	C64	C08 45	C07 19
114	ECCFCNC	C17 30	C16 45	168	C128	C08 47	C07 21
115	LPCBYTE	C17 49	C16 37	169	C256	C08 20	C07 29
116	ECCRYE	C17 47	C16 15	170	POSSETL	C08 16	C03 11
117	ECCFF	C17 46	C15 39	171	POSSETU	C08 36	C03 14
118	WRITE/	C17 29	C12 30	172	TEMPC2L	C08 33	C06 13
119	ROSTDP	C17 45	C12 45	173	TEMPC2U	C08 35	C06 16
120	INTLK	C17 50	C16 52	174	TEMPC4L	C08 31	C06 10
121	INTLK	C16 54	C15 32	175	TEMPC4U	C08 37	C06 18
122	WRDATAFC	C16 15	C12 09	176	TEMPC8L	C08 25	C06 12
123	CLOCK	C16 31	C12 35	177	TEMPC8U	C08 23	C06 20
124	RDENLA	C16 17	C17 15	178	TEMPC16L	C08 27	C06 14
125	WRENLA	C16 11	C12 28	179	TEMPC16U	C08 29	C06 22
126	CLKCK	C15 35	C12 28	180	TEMPC32L	C08 24	C06 07
127	RDATA	C15 07	C15 13	181	TEMPC32U	C08 26	C06 25
128	BY64	C16 07	C15 35	182	TEMPC64L	C08 28	C06 08
129	DATERR/	C16 33	C15 45	183	TEMPC64U	C08 30	C06 23
130	LPCERR/	C16 39	C15 41	184	TEMPC128L	C08 32	C06 09
131	POSSET/	C15 53	C12 29	185	TEMPC128U	C08 34	C06 21
132	WRENLA	C15 43	C16 11	186	TEMPC256L	C08 10	C06 11
133	SECTOR	C15 51	C17 42	187	TEMPC256U	C08 46	C06 19
134	ECCBYTE	C15 47	C16 15	188	INTLK	C08 12	C07 22
135	ERDATAE/	C15 19	C14 13	189	SVOCCLK	C08 15	C04 54
136	ERDATAE	C15 07	C14 09	190	CTCK	C08 17	C07 36
137	RWSEL	C17 04	C12 22	191	SEEKDR/	C07 45	C03 49
138	2XRDCLE	C14 35	C13 29	192	D1	C07 13	C06 51
139	GND	C14 36	C13 30	193	D2	C07 23	C06 49
140	RDCLKE/	C14 33	C12 11	194	D4	C07 11	C06 47
141	RDCLKE	C14 37	C12 14	195	D9	C07 14	C06 45
142	ERDZE	C14 25	C13 25	196	D16	C07 31	C06 43
143	GND	C14 26	C13 26	197	D32	C07 33	C06 41
144	RDATAE	C14 45	C12 19	198	D64	C07 25	C06 39
145	RDATAE/	C14 43	C12 16	199	D128	C07 27	C06 37
146	INTLK	C15 34	C14 28	200	D=	C07 50	C06 33
147	RDATA	C12 27	C15 33	201	SIGN P	C07 52	C04 33
148	POSSET/	C12 29	C08 18	202	DILLADD	C07 04	C04 35
149	RDENLA	C12 23	C16 17	203	INTLK	C07 24	C06 28
150	INTLK	C14 30	C13 36	204	VRFF	C06 53	C01 33
151	INTLK	C13 38	C12 10	205	SIGN	C06 35	C03 16
152	RW256	C12 17	C08 08	206	INTLK	C06 26	C05 16
153	INTLK	C12 12	C08 14	207	ERRFLAG	C05 47	C03 35
154	RWSEL	C12 22	C06 22	208	CLEAR	C05 45	C03 39
155	ADDCLR/	C08 09	C07 39	209	UPSPEEDU/	C05 17	C04 12
156	ADDCLR/	C07 39	C03 58	210	UPSPEEDL/	C05 25	C04 37
157	DNSCALEL	C08 38	C05 27	211	SETERR/	C05 15	C03 50
158	DNSCALEU	C08 40	C05 37	212	VOLSEN	C05 29	C01 45
159	PARSEL	C08 39	C03 13	213	STRTIMER	C05 31	C03 24
160	RWSEL	C08 22	C02 51	214	INTLK	C05 18	C04 42
161	C1	C08 49	C07 12	215	TPWRRST/	C05 43	C04 50
162	C2	C08 51	C07 10	216	SECTOR	C04 14	C15 51

Burroughs Corporation PERIPHERAL PRODUCTS GUADALAJARA PLANT GUADALAJARA, JAL., MEXICO	PREP	PROJ	A- 2857 1826	REV A
	CHKD	APPD		PAGE 8 OF 10
PROPRIETARY TO BURROUGHS CORPORATION. NOT TO BE REPRODUCED NOR USED FOR MANUFACTURING PURPOSES EXCEPT ON BURROUGHS ORDER OR PRIOR WRITTEN CONSENT.			TITLE Wire List - Common Elect. Mod. D.S.	

SEQ TYPE	SIGNAL	PIN 1	PIN 2	SEQ TYPE	SIGNAL	PIN 1	PIN 2		
217	1	UPSPEEDU/	C04 12	C02 45	271	1	DGDRIVEOP	C09 31	C10 31
218	1	UPSPEEDL/	C04 37	C02 43	272	1	DGDRIVEOP	C10 31	C10 33
219	1	FTIMER	C04 52	C03 54	273	1	DGDRIVEOP	C10 33	C10 34
220	1	DFLAG	C04 08	C03 12	274	1	DGSUCTRLAUC	09 08	C11 33
221	1	COND	C04 20	C05 47	275	1	DGSVCTRLALC	09 08	C11 35
222	1	COND/	C04 07	C03 25	276	1	DGDFLAG	C09 12	C10 08
223	1	RUNLOCK	C04 58	C03 37	277	1	DGSTRTIMER	09 24	C11 31
224	1	SVCLCK	C04 34	C02 31	278	1	DGERRFLAG	C09 50	C11 15
225	1	ERROR	C04 17	C05 49	279	1	DGSETERR	C09 54	C10 52
226	1	ONSCALE	C04 11	C08 19	280	1	DGFTIMER	C09 43	C10 15
227	1	SECTOR	C04 14	C02 12	281	1	DGPORTASEL	09 44	C10 29
228	1	DIR/	C04 13	C08 21	282	1	DGPORTSEL	09 41	C10 41
229	1	PORTASEL/	C04 15	C05 43	283	1	DGPORTSEL	09 41	C10 41
230	1	CTCK	C04 31	C07 36	284	1	DGIPADD+	C09 45	C10 30
231	1	D=0	C04 34	C06 33	285	1	DGIPADD2	C09 51	C10 21
232	1	PORTBSEL/	C04 29	C03 44	286	1	DGIPADD1	C09 52	C10 19
233	1	FLAG	C04 43	C03 32	287	1	DGCLEAR	C09 39	C11 45
234	1	PORTCSEL/	C04 41	C03 41	288	1	DGRUNLOCK	09 37	C10 58
235	1	IPADD1	C04 19	C03 52	289	1	DGCOND	C09 47	C10 20
236	1	IPADD2	C04 21	C03 51	290	1	DGCOND/	C09 25	C10 07
237	1	IPADD4	C04 30	C03 45	291	1	DGPPRRST/	C09 15	C10 18
238	1	INTLK	C04 40	C03 36	292	1	DGFLAG1	C09 32	C10 43
239	1	PWRST/	C03 15	C04 18	293	1	DGTPRRRST	C10 50	C11 43
240	1	SVCTRLAU	C03 08	C05 33	294	1	DGERROR	C10 17	C11 49
241	1	SVCTRLAL	C03 09	C05 35	295	1	SVCLCK	C01 09	C10 54
242	1	INTLK	C03 34	C02 20	296	1	VREF	C06 53	C06 15
243	1	INDEX	C02 15	C18 14	297	1	VREF	C06 15	C06 17
244	1	SVCLCK	C02 31	C01 09	298	1	INTLK	C19 50	C19 57
245	1	INTLK	C02 18	C01 37	299	1	INTLK	C20 38	C20 12
246	1	SGLCLK	C04 24	C18 09	300	1	INTLK	C20 39	C04 23
247	1	RWCND/	C04 10	C18 35	301	1	IOCLK	C19 27	C12 48
248	1	RWCND/	C04 09	C18 12					
249	1	RWMCLK	C04 22	C18 11					
250	1	DGSVCTRBU	C09 07	C11 23					
251	1	DGCTRB	C09 10	C11 21					
252	1	DGIGN	C09 16	C11 37					
253	1	DGPARSEL	C09 13	C11 17					
254	1	DGPOSSETU	C09 14	C11 27					
255	1	DGPOSFFTL	C09 11	C11 25					
256	1	DGRDYL	C09 18	C11 53					
257	1	DGDFYFLH	C09 17	C11 07					
258	1	DGSELCKL	C09 19	C11 29					
259	1	DGILLADD	C09 23	C11 39					
260	1	DGSPARE1	C09 21	C10 16					
261	1	DGSPARE2	C09 22	C10 13					
262	1	DGSPARE3	C09 24	C10 14					
263	1	DGSPARE4	C09 27	C10 11					
264	1	DGSPARE5	C09 29	C10 51					
265	1	DGSPARE5	C10 51	C10 47					
266	1	DGSPARE6	C09 30	C10 23					
267	1	DGSPARE7	C09 33	C10 35					
268	1	DGSPARE7	C10 35	C11 09					
269	1	DGSPARE8	C09 20	C10 25					
270	1	DGSPARE8	C10 25	C10 26					

294  
QUA 2708 5-76

Burroughs Corporation PERIPHERAL PRODUCTS GUADALAJARA PLANT GUADALAJARA, JAL., MEXICO	PREP	PROJ	A- 2857 1826	REV A
	CHKD	APPD		PAGE 9 OF 10
PROPRIETARY TO BURROUGHS CORPORATION. NOT TO BE REPRODUCED NOR USED FOR MANUFACTURING PURPOSES EXCEPT ON BURROUGHS ORDER OR PRIOR WRITTEN CONSENT.			TITLE Wire list - Common Elect. Mod. D.S.	

WIRE	SIGNAL	A-PIN	ATX	ATY	ADFY	B-PIN	BTX	BTY	BDFY	TRP	PAT	FSEQ	TSEQ
221	RWCND/	C18 12	6495	7715	7265	C04 09	13495	7590	7265	1	3	248	248
222	SVCLCK	C18 23	6620	8465	7640	C08 15	11495	7965	7640	1	3	89	89
223	PWRST/	C18 33	6620	9090	7765	C04 18	13370	8090	7765	1	3	90	90
224	DARI	C19 04	5995	7215	6890	C07 43	11995	9715	6890	1	3	41	41
225	RDYFSH	C19 06	5995	7240	7015	C03 17	13995	8090	7015	1	3	42	42
226	DAR16	C19 19	6120	8215	7890	C07 53	11995	10340	7890	1	3	54	54
227	DARE	C19 21	6120	8340	8015	C07 35	11995	9215	8015	1	3	56	56
228	RDDATA	C19 22	5995	8340	8015	C15 37	7995	9340	8015	1	3	57	57
229	DAR4	C19 25	6120	8590	8265	C07 37	11995	9340	8265	1	3	60	60
230	DRIVEOP	C19 35	6120	9215	8640	C03 31	13995	8965	8640	1	3	68	68
231	ADDCLR/	C19 38	5995	9340	7265	C08 09	11495	7590	7265	1	3	69	69
232	DAR256	C19 39	6120	9465	9140	C07 54	11870	10340	9140	1	3	70	70
233	FCERR	C19 45	6120	9840	9515	C15 49	7995	10090	9515	1	3	76	76
234	ILLAND	C19 46	5995	9840	8140	C03 23	13995	8465	8140	1	3	77	77
235	PARSEL	C19 48	5995	9965	9140	C08 39	11495	9465	9140	1	3	79	79
236	MODEXTL	C20 04	5495	7215	6890	C04 51	13495	10215	6890	1	3	2	2
237	EXCURRL	C20 05	5620	7340	7015	C05 21	12995	8340	7015	1	3	3	3
238	VOLSEN	C20 06	5495	7340	7015	C05 29	12995	8840	7015	1	3	4	4
239	DIRL	C20 07	5620	7465	7140	C08 07	11495	7465	7140	1	3	5	5
240	ONSCALE	C20 08	5495	7465	7140	C08 38	11370	9340	7140	1	3	6	6
241	HOSELAY	C20 09	5620	7590	7265	C17 27	6995	8715	7265	1	3	7	7
242	CNTL	C20 10	5495	7590	7265	C08 11	11495	7715	7265	1	3	8	8
243	HOSEAL	C20 11	5620	7715	7390	C17 23	6995	8465	7390	1	3	9	9
244	INTLK	C20 13	5620	7840	7515	C01 39	14995	9465	7515	1	3	88	88
245	SVCTRLBL	C20 15	5620	7965	7265	C03 10	15870	7590	7265	1	3	11	11
246	SVVSEN	C20 16	5495	7965	7640	C05 39	12995	9465	7640	1	3	12	12
247	SVCTRLAL	C20 17	5620	8090	7765	C05 35	12995	9215	7765	1	3	13	13
248	FUNC	C20 19	5620	8215	7890	C06 52	12370	10215	7890	1	3	14	14
249	*SIGN	C20 27	5620	8715	8390	C06 50	12370	10090	8390	1	3	18	18
250	VOLSEN	C20 32	5495	8965	8640	C01 45	14995	9840	8640	1	3	23	23
251	ONSCALEU	C20 34	5495	9090	8765	C08 40	11370	9465	8765	1	3	25	25
252	WCHIO/	C20 48	5495	9965	8890	C12 04	9370	7215	8890	1	3	34	34
253	WCHIO/	C20 50	5495	10090	8140	C12 24	9370	8465	8140	1	3	35	35
254	INDSECU	C20 52	5495	10215	7765	C02 17	14495	8090	7765	1	3	36	36
255	POSITRBU	C20 54	5495	10340	8140	C06 24	12370	8465	8140	1	3	38	38

QUA 2708 5-76

Burroughs Corporation PERIPHERAL PRODUCTS GUADALAJARA PLANT GUADALAJARA, JAL., MEXICO	PREP	PROJ	A- 2857 1826	REV
	CHKD	APPD		PAGE 10 OF 10
PROPRIETARY TO BURROUGHS CORPORATION. NOT TO BE REPRODUCED NOR USED FOR MANUFACTURING PURPOSES EXCEPT BY BURROUGHS ORDER OR PRIOR WRITTEN CONSENT.				
TITLE <b>Wire List - Common Elect. Mod. D.S.</b>				

WIRE	SIGNAL	A-PIN	ATX	ATY	ADEY	B-PIN	BTX	BTY	BDYF	TRP	PAT	FSEQ	TSEQ
256	SVOCTRLAL	C03 09	7715	5505	8180	C05 35	9215	9505	8180	2	3	241	241
257	VREF	C06 15	8090	10005	9680	C06 53	10340	10095	9680	2	3	296	296
258	ADDCLR/	C08 09	7715	11005	10180	C07 39	9465	19505	10180	2	3	155	155
259	DGSPARE7	C11 09	7715	12505	11650	C10 35	9215	12005	11680	2	3	268	268
260	ECCBYTE	C16 15	8090	15005	14180	C15 47	4965	14505	14180	2	3	134	134
261	BY64	C18 15	8090	16005	14680	C16 49	10090	15075	14680	2	3	128	128
262	VOLSEN	C01 45	7630	12660	12335	C05 29	9505	13660	12335	3	3	212	212
263	INDEX	C02 15	8130	14535	14210	C18 14	16130	14660	14210	3	3	243	243
264	PARSEL	C03 13	8630	14660	12710	C08 39	11005	13855	12710	3	3	159	159
265	DRIVEOP	C03 31	8630	13535	12085	C19 49	14505	12285	11960	3	3	216	216
266	SECTOR	C04 14	9255	14660	11960	C15 51	14505	12285	11960	3	3	157	157
267	DNSCALEL	C05 27	9630	13785	12835	C08 38	11130	13160	12835	3	3	158	158
268	DNSCALEU	C05 37	9630	13160	12710	C08 40	11130	13035	12710	3	3	31	31
269	33VSEN	C05 39	9630	13035	12585	C20 42	17130	12910	12585	3	3	37	37
270	*SIGN	C06 50	10255	12410	11835	C20 53	17085	12160	11835	3	3	33	33
271	FUNC	C06 52	10255	12285	11960	C15 35	14505	13285	12960	3	3	126	126
272	CLOCK	C12 28	13255	13785	12835	C20 45	17005	13660	12835	3	3	28	28
273	HDSELAX	C17 23	15630	13785	12560	C20 35	17005	13285	12960	3	3	45	45
274	HDSELAY	C17 27	15630	13785	12560	C19 10	14910	5870	5545	4	3	96	96
275	WIM/	C17 41	13035	6895	6170	C18 13	14660	6495	6170	4	3	98	98
276	SECTOR	C17 51	12410	6995	6045	C18 16	14535	6370	6045	4	3	93	93
277	BY2	C18 52	12410	6370	6045	C17 04	15285	6870	6045	4	3	217	217
278	RNSSEL	C02 45	12785	14495	13045	C04 32	14785	13370	13045	4	3	109	109
279	UPSPEEDU/	C04 54	12285	13370	11170	C08 15	14935	11495	11170	4	3	244	244
280	SWCLK	C02 31	13640	14495	14170	C01 09	14910	14995	14170	4	3	240	240
281	SWCLK	C02 31	13640	14495	14170	C03 08	15035	13870	12670	4	3	230	230
282	SVOCTRLAU	C05 33	13535	12995	12670	C04 31	13495	8965	8640	1	3	170	170
283	CTCK	C07 36	11995	9215	8640	C03 11	13995	7715	7390	1	3	171	171
284	POSSETL	C08 16	11495	7965	7390	C03 14	13870	7840	7515	1	3	154	154
285	POSSETU	C08 36	11495	9215	7515	C09 22	11370	8340	8015	1	3	148	148
286	RNSEL	C12 22	9495	8340	8015	C08 18	11370	8090	7765	1	3	147	147
287	POSSET/	C12 29	9620	8840	7765	C12 27	9495	8715	8390	1	3	10	10
288	RDATA	C15 33	8120	9090	8390	C04 16	13370	7965	7515	1	3	272	272
289	TEMPNCLIM	C20 14	5495	7840	7515	C10 33	9090	12005	0	2	2	265	265
290	DGDRIVEOP	C10 31	9090	12005	0	C10 51	10215	12005	0	2	3	293	293
291	DGSPARE5	C10 47	10090	12005	11680	C19 57	10590	16505	16180	2	3	218	218
292	INTLK	C19 50	10215	16630	16180	C04 37	9005	13160	12460	3	3	239	239
293	UPSPEEDL/	C02 43	8130	12785	12460	C04 28	9130	14410	14085	3	3	231	231
294	PWRRST/	C03 15	8630	14535	14085	C05 33	10005	13410	13085	3	3	270	270
295	D=0	C04 34	9255	13410	13085	C10 26	12130	13910	0	3	1	125	125
296	DGSPARE8	C10 25	12130	13910	0	C17 15	15505	14535	14210	3	3	124	124
297	WRENLA	C16 11	15130	14785	14210	C17 19	15505	14285	13940	3	3	97	97
298	RDENLA	C16 17	15130	14410	13960	C17 32	15630	13535	13210	3	3	300	300
299	CLOCK	C16 31	15130	13535	13210	C04 23				3	3	301	301
300	INTLK	C20 39				C18 46							
301	IOCLK	C19 27				C08 44							
302	CLRPARU/	C03 53											

Burroughs Corporation WESTLAKE PLANT WESTLAKE VILLAGE CALIF 91360 U.S. AMERICA	PREP	PROJ	A-2163 0637	REV				
	CHKD	APPD		PAGE 1 OF 7	C			
PROPRIETARY TO BURROUGHS CORPORATION. NOT TO BE REPRODUCED OR USED FOR MANUFACTURING PURPOSES EXCEPT BY BURROUGHS ORDER OR PRIOR WRITTEN CONSENT.								
TITLE <b>PIN LIST-COMMON ELECT. MOD.</b>								
REV	CONT'DG DGC & NO	DTSSMA	CHGD	APPD & DATE	PAGE	LINE OR HR	REVISION DESCRIPTION	CLASS CODE
A	ECN 10461						INITIAL RELEASE WAS 2162 6593.	E-1509
B	ECN 10461				7		ADDED C19-50 TO C19-57 C01-39 TO C30-13 WAS C01-39 TO C20-38.	
					2		ADDED C19-50 TO C19-57 C01-39 TO C30-13 WAS C01-39 TO C20-38.	
					7		ADDED C19-50 TO C19-57 C01-39 TO C30-13 WAS C01-39 TO C20-38.	
C	ECN 10461				5		ADDED C12-46 TO C19-27 C19-27 TO C12-46	
					7		ADDED C12-46 TO C19-27 C19-27 TO C12-46	

<b>Burroughs Corporation</b> <small>DISK PACK PRODUCTS WESTLAKE PLANT WESTLAKE VILLAGE, CALIF. 91360 U.S. AMERICA</small>	PREP	PROJ	<b>A2163 0637</b> <b>C</b> PAGE 2 OF 7
	CHKD	APPD	
<small>PROPRIETARY TO BURROUGHS. NOT TO BE REPRODUCED OR USED FOR MANUFACTURING PURPOSES EXCEPT ON BURROUGHS ORDER OR PRIOR WRITTEN CONSENT.</small>		TITLE <b>PIN LIST-COMMON ELECT. MOD.</b>	

PIN	CC-PIN	SIGNAL	SEQ	WIRE	Z	PIN	CO-PIN	SIGNAL	SEQ	WIRE	Z
* C01 09	C10 54	SV0CLK	295	122	1	* C03 51	C04 21	IPADD2	236	195	1
* C01 09	C02 31	SV0CLK	244	281	2	* C03 52	C04 19	IPADD1	235	87	1
* C01 33	C06 53	VREF	204	173	1	* C03 54	C04 52	FTIMER	219	23	1
* C01 37	C02 18	INTLK	245	200	1	* C03 50	C07 39	ADDCLR/	154	231	1
* C01 39	C20 13	INTLK	88	254	1	* C04 07	C03 25	COND/	222	201	1
* C01 45	C20 32	VOLSEN	23	250	1	* C04 08	C03 12	DFLAG	220	20	1
* C01 45	C05 29	VOLSEN	212	262	2	* C04 09	C18 12	RUCONDD/	248	221	1
* C02 09	C20 26	INDESEL	17	124	1	* C04 10	C18 35	SNCONDD/	247	132	1
* C02 12	C04 14	SECTOR	227	67	1	* C04 11	C08 19	DNSCALE	226	133	1
* C02 13	C19 53	SECTOR/	84	125	1	* C04 12	C05 17	UPSPEEDU/	209	6	1
* C02 15	C18 14	INDESEL	243	263	2	* C04 12	C02 45	UPSPEEDU/	217	279	2
* C02 17	C23 52	INDESEC	36	254	1	* C04 13	C03 21	DIR/	228	134	1
* C02 18	C01 37	INTLK	245	200	1	* C04 14	C02 12	SECTOR	227	62	1
* C02 20	C03 34	INTLK	242	56	1	* C04 14	C15 51	SECTOR	216	266	2
* C02 31	C04 44	SV0CLK	224	85	1	* C04 15	C03 43	PORTASEL/	229	95	1
* C02 31	C01 09	SV0CLK	244	281	2	* C04 16	C20 14	TEMPNOLIM	10	269	2
* C02 43	C04 37	UPSPEEDU/	218	293	2	* C04 17	C05 49	ERROR	225	86	1
* C02 45	C04 12	UPSPEEDU/	217	279	2	* C04 18	C18 33	PNRRST/	90	223	1
* C02 51	C08 22	RMSL	160	126	1	* C04 18	C03 15	PNRRST/	239	294	2
* C03 07	C20 41	SV0CTRL9U	30	127	1	* C04 19	C05 52	IPADD1	235	87	1
* C03 08	C05 33	SV0CTRLAU	240	292	2	* C04 20	C03 47	COND	221	98	1
* C03 09	C05 35	SV0CTRLAL	241	254	2	* C04 21	C03 51	IPADD2	236	195	1
* C03 10	C20 15	SV0CTRLSL	11	245	1	* C04 22	C19 11	RMSCLK	249	220	1
* C03 11	C08 16	POSSETL	170	284	2	* C04 23	C20 39	INTLK	309	134	1
* C03 12	C04 08	DFLAG	220	20	1	* C04 24	C18 07	SELCLK	240	219	1
* C03 13	C08 39	PARSEL	159	264	2	* C04 25	C19 47	PNRSL/	70	137	1
* C03 14	C08 36	POSSETU	171	285	2	* C04 26	C19 12	PNRSL/	47	138	1
* C03 15	C04 18	PNRRST/	239	294	2	* C04 26	C03 44	PORTBSEL/	232	53	1
* C03 16	C06 35	SIGN	205	128	1	* C04 30	C03 45	IPADD4	237	4	1
* C03 17	C19 06	ROYFSH	42	225	1	* C04 31	C07 35	CTCK	230	283	2
* C03 18	C19 14	ROYLP/	49	129	1	* C04 33	C07 52	SIGN P	201	205	1
* C03 19	C19 16	SELOCKLP	51	130	1	* C04 34	C06 33	D=0	231	295	2
* C03 23	C19 46	ILLADD	77	234	1	* C04 35	C07 04	DILLADD	202	100	1
* C03 24	C05 31	STRTIMER	213	21	1	* C04 37	C05 25	UPSPEEDU/	210	57	2
* C03 25	C04 07	COND/	222	201	1	* C04 37	C02 45	UPSPEEDU/	218	293	2
* C03 31	C19 35	DRIVEPD	68	230	1	* C04 40	C03 36	INTLK	238	63	1
* C03 31	C19 49	DRIVEPD	80	265	2	* C04 41	C03 41	PORTCSEL/	234	64	1
* C03 32	C04 43	FLAG1	233	3	1	* C04 42	C05 18	INTLK	214	89	1
* C03 34	C02 20	INTLK	242	56	1	* C04 43	C03 32	FLAG1	233	3	1
* C03 35	C05 47	ERRFLAG	207	22	1	* C04 47	C20 30	HDEXTU	21	139	1
* C03 36	C04 40	INTLK	238	63	1	* C04 50	C05 43	PNRRST/	215	1	1
* C03 37	C04 58	RUNCLOCK	223	194	1	* C04 51	C20 06	HOERTL	2	236	1
* C03 39	C05 45	CLEAR	203	65	1	* C04 52	C03 54	FTIMER	219	23	1
* C03 41	C04 41	PORTCSEL/	234	64	1	* C04 54	C02 31	SV0CLK	224	85	1
* C03 43	C04 15	PORTASEL/	229	95	1	* C04 54	C29 15	SV0CLK	189	289	2
* C03 44	C04 29	PORTBSEL/	232	53	1	* C04 58	C03 57	RUNCLOCK	223	199	1
* C03 45	C04 30	IPADD4	237	4	1	* C05 07	C20 01	LAMP	1	140	1
* C03 47	C04 20	COND	221	88	1	* C05 15	C03 50	SETERR/	211	96	1
* C03 49	C07 45	SEKDDAR/	191	204	1	* C05 16	C06 26	INTLK	206	88	1
* C03 50	C05 15	SETERR/	211	96	1						

<b>Burroughs Corporation</b> <small>DISK PACK PRODUCTS WESTLAKE PLANT WESTLAKE VILLAGE, CALIF. 91360 U.S. AMERICA</small>	PREP	PROJ	<b>A2163 0637</b> <b>C</b> PAGE 3 OF 7
	CHKD	APPD	
<small>PROPRIETARY TO BURROUGHS. NOT TO BE REPRODUCED OR USED FOR MANUFACTURING PURPOSES EXCEPT ON BURROUGHS ORDER OR PRIOR WRITTEN CONSENT.</small>		TITLE <b>PIN LIST-COMMON ELECT. MOD.</b>	

PIN	CC-PIN	SIGNAL	SEQ	WIRE	Z	PIN	CO-PIN	SIGNAL	SEQ	WIRE	Z
* C05 17	C04 12	UPSPEEDU/	209	6	1	* C06 43	C07 31	D16	154	55	1
* C05 18	C04 42	INTLK	214	89	1	* C06 45	C07 14	D3	195	103	1
* C05 21	C20 05	EXCURRL	3	237	1	* C06 47	C07 11	D4	194	102	1
* C05 23	C20 31	EXCURRU	22	141	1	* C06 49	C07 23	D2	193	93	1
* C05 25	C04 37	UPSPEEDL/	210	57	1	* C06 50	C20 27	*SIGN	10	249	1
* C05 27	C08 38	CHSCALEL	157	247	2	* C06 50	C20 53	*SIGN	37	270	2
* C05 29	C20 06	VOLSEN	4	238	1	* C06 51	C07 13	O1	192	196	1
* C05 29	C01 45	VOLSEN	212	262	2	* C06 52	C20 19	FUNC	14	249	1
* C05 31	C03 24	SRTIMER	213	21	1	* C06 52	C20 45	FUNC	33	271	2
* C05 33	C20 43	SV0CTRLAU	32	142	1	* C06 53	C01 33	VREF	204	123	1
* C05 33	C03 08	SV0CTRLAU	240	282	2	* C06 53	C06 15	VREF	296	257	2
* C05 35	C20 17	SV0CTRLAL	13	247	1	* C07 04	C04 35	DILLADD	202	100	1
* C05 35	C01 09	SV0CTRLAL	241	256	2	* C07 07	C08 42	C4	163	180	1
* C05 37	C08 40	CHSCALEU	158	268	2	* C07 09	C09 53	CB	164	199	1
* C05 39	C20 16	3SVSEN	12	246	1	* C07 10	C08 51	C2	162	101	1
* C05 39	C20 42	3SVSEN	31	269	2	* C07 11	C05 47	D4	194	102	1
* C05 43	C04 50	TPNRRST/	215	1	1	* C07 12	C08 49	CI	161	198	1
* C05 45	C03 39	CLEAR	208	65	1	* C07 13	C06 51	D1	192	196	1
* C05 47	C03 35	ERRFLAG	207	22	1	* C07 14	C06 65	DB	195	103	1
* C05 49	C04 17	ERRR	225	86	1	* C07 15	C08 43	C16	165	197	1
* C05 53	C20 29	LAMPU	20	143	1	* C07 17	C08 41	C92	166	90	1
* C06 07	C03 24	TEMPC32L	180	144	1	* C07 19	C08 45	C64	167	91	1
* C06 08	C08 28	TEMPC64L	182	97	1	* C07 21	C08 47	CI29	160	92	1
* C06 09	C08 32	TEMPC128L	184	174	1	* C07 22	C08 12	INTLK	188	8	1
* C06 10	C08 31	TEMPC4L	174	98	1	* C07 23	C06 49	D2	193	93	1
* C06 11	C08 10	TEMPC256L	186	206	1	* C07 24	C06 28	INTLK	203	25	1
* C06 12	C08 25	TEMPC8L	176	60	1	* C07 25	C04 39	D64	198	59	1
* C06 13	C08 33	TEMPC2L	172	202	1	* C07 27	C06 37	CI28	199	5	1
* C06 14	C08 27	TEMPC16L	178	7	1	* C07 29	C08 20	C256	169	41	1
* C06 15	C06 17	VREF	297	61	1	* C07 31	C06 48	D16	196	55	1
* C06 15	C06 33	VREF	296	257	2	* C07 33	C06 41	D32	197	54	1
* C06 16	C08 25	VREF	297	99	1	* C07 35	C19 21	DAR8	56	227	1
* C06 17	C06 15	VREF	297	61	1	* C07 35	C08 17	CTCK	190	94	1
* C06 18	C08 37	TEMPC4U	175	203	1	* C07 36	C04 31	CTCK	230	283	2
* C06 19	C08 46	TEMPC256U	187	181	1	* C07 37	C19 25	DAR4	60	229	1
* C06 20	C08 23	TEMPC8U	177	64	1	* C07 39	C03 58	ADDCLR/	156	131	1
* C06 21	C08 34	TEMPC128U	185	208	1	* C07 39	C03 09	ADDCLR/	155	258	2
* C06 22	C08 29	TEMPC16U	179	24	1	* C07 +1	C19 23	DAR2	53	147	1
* C06 23	C08 30	TEMPC6U	163	145	1	* C07 43	C19 04	DAR1	41	224	1
* C06 24	C20 54	POSITRNU	33	255	1	* C07 43	C03 49	SEKDDAR/	191	204	1
* C06 25	C08 26	TEMPC32U	181	207	1	* C07 47	C19 40	DAR128	71	148	1
* C06 26	C05 16	INTLK	206	58	1	* C07 49	C19 32	DAR64	65	149	1
* C06 27	C20 28	POSITRKL	19	146	1	* C07 50	C06 33	D=0	200	2	1
* C06 28	C07 24	INTLK	203	25	1	* C07 51	C19 30	DAR232	63	150	1
* C06 33	C07 50	D=0	200	2	1	* C07 52	C04 33	SIGN P	201	205	1
* C06 33	C04 34	D=0	231	295	2	* C07 53	C19 19	DAR16	54	226	1
* C06 35	C03 16	SIGN	205	128	1	* C07 54	C19 39	DAR256	70	232	1
* C06 37	C07 27	D128	199	5	1	* C08 04	C20 33	DIRU	24	151	1
* C06 39	C07 25	D44	198	59	1	* C08 07	C20 07	DIRL	5	239	1
* C06 41	C07 33	D32	197	54	1	* C08 09	C12 17	RH256	152	152	1


<b>Burroughs Corporation</b> DISK PACK PRODUCTS WESTLAKE VILLAGE, CALIF 91360 WESTLAKE PLANT U.S. AMERICA	PREP	PROJ	<b>A2163 0637 C</b> PAGE 4 OF 7
	CHKD	APPD	
PROPRIETARY TO BURROUGHS. NOT TO BE REPRODUCED OR USED FOR MANUFACTURING PURPOSES EXCEPT ON BURROUGHS ORDER OR PRIOR WRITTEN CONSENT.			
<b>TITLE</b> <b>PIN LIST-COMMON ELECT. MOD.</b>			


<b>Burroughs Corporation</b> DISK PACK PRODUCTS WESTLAKE VILLAGE, CALIF 91360 WESTLAKE PLANT U.S. AMERICA	PREP	PROJ	<b>A2163 0637 C</b> PAGE 5 OF 7
	CHKD	APPD	
PROPRIETARY TO BURROUGHS. NOT TO BE REPRODUCED OR USED FOR MANUFACTURING PURPOSES EXCEPT ON BURROUGHS ORDER OR PRIOR WRITTEN CONSENT.			
<b>TITLE</b> <b>PIN LIST-COMMON ELECT. MOD.</b>			

PIN	CO-PIN	SIGNAL	SEO	WIRE	Z	PIN	CO-PIN	SIGNAL	SEO	WIRE	Z
* C08 09	C19 38	ADDCLR/	69	231	1	* C09 08	C11 33	DGSUCTRLAU	274	104	1
C08 09	C07 39	ADDCLR/	155	258	2	C09 09	C11 35	DGSUCTRLAL	275	105	1
C08 10	C06 11	TEMPC256L	186	206	1	C09 10	C11 21	DGCTRL	251	26	1
* C08 11	C20 10	CNTL	5	242	1	* C09 11	C11 25	DGPOSSETL	255	27	1
C08 12	C07 22	INTLK	188	8	1	* C09 12	C10 08	DGDFLAG	276	67	1
C08 13	C20 36	CNTU	27	153	1	C09 13	C11 17	DGPARSEL	253	28	1
* C08 14	C12 12	INTLK	153	209	1	* C09 14	C12 27	DGPOSSETU	254	45	1
* C08 15	C18 23	SVOCLK	89	222	1	* C09 15	C10 13	DGSGN	291	63	1
* C08 15	C04 54	SVOCLK	189	280	2	* C09 16	C11 37	DGSGN	252	176	1
C08 16	C19 09	POSSETL	4	154	1	C09 17	C11 07	DGDFYFLH	257	29	1
C08 16	C03 11	POSSETL	170	284	2	* C09 18	C11 52	DGDFYFLH	256	113	1
C08 17	C07 36	CTCK	190	94	1	* C09 19	C11 29	DGSELOCKLP	258	73	1
* C08 18	C12 29	POSSET/	148	287	2	* C09 20	C10 25	DGSPARE6	269	44	1
* C08 19	C04 11	ONSCALE	226	133	1	* C09 21	C10 16	DGSPARE5	260	30	1
* C08 20	C07 29	C256	169	41	1	* C09 22	C10 13	DGSPARE2	261	10	1
* C08 21	C04 13	DIR/	228	134	1	* C09 23	C11 39	DGILLAG	259	46	1
* C08 22	C02 51	RNSEL	160	124	1	* C09 24	C11 31	DGSTRTIMER	277	74	1
* C08 22	C12 22	RNSEL	155	286	2	* C09 25	C10 07	DGCGND/	290	175	1
C08 23	C06 20	TEMPC2U	177	66	1	* C09 27	C10 11	DGSPARE4	263	9	1
* C08 24	C08 07	TEMPC32L	180	144	1	* C09 28	C10 14	DGSPARE3	262	42	1
C08 25	CC6 12	TEMPC8L	176	60	1	* C09 29	C10 51	DGSPARE5	264	184	1
C08 26	CC6 25	TEMPC32U	181	207	1	* C09 30	C10 23	DGSPARE6	266	43	1
* C08 27	C08 14	TEMPC16L	178	7	1	C09 31	C10 31	DGDRIVEOP	271	31	1
* C08 28	C08 08	TEMPC64L	182	97	1	C09 32	C10 43	DGFLAG1	292	11	1
* C08 29	C06 22	TEMPC16U	179	24	1	* C09 33	C10 35	DGSPARE7	267	70	1
* C08 30	C06 23	TEMPC44U	183	145	1	* C09 35	C11 47	DGERRFLAG	278	32	1
* C08 31	C06 10	TEMPC4L	174	98	1	* C09 37	C10 58	DGHUACLOCK	288	192	1
C08 32	C06 09	TEMPC128L	184	174	1	* C09 39	C11 45	DGCLLEAP	287	75	1
C08 33	C06 13	TEMPC2L	172	202	1	* C09 41	C10 41	DGPORTASEL	283	71	1
C08 34	C06 21	TEMPC128U	185	208	1	* C09 43	C10 13	DGPORTASEL	281	182	1
* C08 35	C06 16	TEMPC2U	173	99	1	* C09 44	C10 29	DGPORTBEEL	282	12	1
C08 36	C19-02	POSSETU	40	155	1	* C09 45	C10 30	DGIPAD04	284	13	1
C08 36	C03 14	TEMPC4U	171	285	2	* C09 47	C10 20	DGCGND	289	115	1
C08 37	CC6 18	TEMPC4U	175	203	1	* C09 50	C11 15	DGSETERR	279	106	1
* C08 38	C20 08	ONSCALEL	6	240	1	C09 51	C10 21	DGIPAD02	285	183	1
* C08 38	C05 27	ONSCALEL	157	267	2	* C09 52	C10 19	DGIPAD01	286	114	1
* C08 39	C19 48	PARSEL	79	235	1	* C09 54	C10 52	DGFTIMER	280	72	1
* C08 39	C03 13	PARSEL	159	264	2	* C10 07	C09 25	DGCGND/	290	175	1
* C08 40	C20 34	ONSCALEU	25	251	1	C10 08	C09 12	DGDFLAG	276	67	1
* C08 40	C05 37	ONSCALEU	155	268	2	C10 11	C09 22	DGSPARE2	261	10	1
* C08 41	C07 17	C32	166	90	1	* C10 14	C09 28	DGSPARE3	262	42	1
C08 42	C07 07	C4	163	180	1	* C10 15	C09 43	DGPGRTISEL	281	182	1
* C08 43	C07 15	C64	165	197	1	* C10 16	C09 21	DGSPARE1	260	30	1
* C08 45	C07 19	C16	167	91	1	* C10 17	C11 49	DGERROR	294	185	1
* C08 46	C06 19	TEMPC256U	187	181	1	C10 18	C09 15	DGERROR	291	68	1
C08 47	C07 21	C128	168	92	1	C10 19	C09 52	DGIPAD01	286	114	1
C08 49	C07 12	C1	162	101	1	C10 20	C09 47	DGCGND	289	115	1
* C08 51	C07 10	C2	162	101	1	* C10 21	C09 51	DGIPAD02	285	133	1
C08 53	C07 09	C8	164	109	1	* C10 23	C09 30	DGSPARE6	266	43	1
* C09 67	C11 23	DGSVCTRB	230	40	1						

PIN	CO-PIN	SIGNAL	SEO	WIRE	Z	C12 46 PIN	C19 27 CO-PIN	TOCLK SIGNAL	301 SEQ	301 WIRE	Z
C10 25	C09 20	DGSPARE8	269	44	1	* C12 17	C08 09	RH256	152	152	1
* C10 25	C10 26	DGSPARE8	270	296	2	* C12 19	C17 41	WIN/	160	300	3
C10 26	C10 25	DGSPARE8	270	296	2	C12 22	C17 04	RWSEL	137	158	1
* C10 29	C09 44	DGPORTSESEL	262	12	1	* C12 22	C03 22	RNSEL	154	286	2
C10 30	C09 45	DGIPAD04	284	13	1	* C12 23	C16 17	RDENLA	149	211	1
* C10 31	C09 31	DGDRIVEOP	271	31	1	* C12 24	C20 50	WCGND/	35	23	1
C10 31	C10 33	DGDRIVEOP	272	290	2	* C12 27	C15 33	RDMTA	147	272	2
* C10 33	C10 34	DGDRIVEOP	273	69	1	* C12 28	C15 33	CLCK	126	272	2
* C10 33	C10 31	DGDRIVEOP	272	290	2	C12 29	C15 33	POSSET/	131	276	1
* C10 34	C10 33	DGDRIVEOP	273	69	1	* C12 29	C08 18	POSSET/	148	237	2
C10 35	C09 33	DGSPARE7	267	70	1	* C12 30	C17 29	WRITE/	118	217	1
* C10 35	C11 09	DGSPARE7	268	259	2	C12 31	C17 39	RDATINH	104	159	1
C10 41	C09 41	DGPORTSESEL	283	71	1	C12 31	C17 39	RDSTAP	119	160	1
* C10 43	C09 32	DGFLAG1	292	11	1	* C12 51	C17 49	TRURO/	103	161	1
C10 47	C10 51	DGSPARE5	265	291	2	C12 51	C17 21	ERDATA	99	193	1
* C10 50	C11 43	DGTPWFEST	293	49	1	* C12 58	C14 25	ERDZE	142	76	1
* C10 51	C09 49	DGSPARE5	264	154	1	* C13 25	C14 25	GND	163	92	2
* C10 51	C10 47	DGSPARE5	265	291	2	C13 26	C14 25	ZXRDLCKE	135	34	1
* C10 52	C09 54	DGDRIVEOP	280	72	1	* C13 29	C14 36	GND	139	77	1
* C10 54	C01 09	SVOCLK	295	122	1	* C13 30	C14 36	INTLK	150	35	1
* C10 58	C09 37	DGRURCLDCK	288	192	1	* C13 38	C12 10	INTLK	151	177	3
* C11 07	C09 17	DGDRYFLM	257	29	1	* C13 45	C17 17	TYPE I	105	216	1
C11 09	C10 35	DGSPARE7	268	259	2	* C14 07	C17 16	ENDATAE/	109	162	1
* C11 15	C09 50	DGLETERRA	279	106	1	* C14 09	C15 07	ENDATAE	134	73	1
* C11 17	C09 12	DGSPARE1	253	28	1	* C14 11	C17 10	ENDATAE	108	213	2
* C11 21	C09 10	DGCTRL	251	26	1	* C14 13	C15 19	ENDATAE/	135	06	1
* C11 23	C09 07	DGSPCTRB	250	40	1	* C14 15	C17 11	CLKCNE	104	162	1
* C11 25	C09 11	DGPOSSETL	255	27	1	* C14 17	C17 15	ERNRDE	101	215	2
* C11 27	C09 14	DGPOSSETU	254	45	1	* C14 19	C17 09	CLKCNE/	107	212	1
C11 29	C09 19	DGSELOCKLP	268	73	1	* C14 21	C17 07	TRUWRE	102	164	1
* C11 31	C09 24	DGSTRTIMER	277	74	1	* C14 25	C13 25	ERDLE	142	76	1
* C11 33	C09 08	DGSUCTRLAU	274	104	1	* C14 26	C13 26	GND	143	33	1
* C11 35	C09 09	DGSUCTRLAL	275	105	1	* C14 28	C15 34	INTLK	146	79	1
* C11 37	C09 16	DGSLGN	252	176	1	* C14 30	C19 36	INTLK	150	35	1
* C11 39	C09 23	DGILLADD	259	46	1	* C14 33	C12 11	RDCLKE/	140	178	1
* C11 43	C10 50	DGTPWFEST	293	49	1	* C14 35	C13 29	ZXRDLCKE	137	34	1
* C11 45	C09 39	DGCLLEAP	287	75	1	* C14 36	C13 30	GND	139	77	1
* C11 47	C09 35	DGERRFLAG	278	32	1	* C14 37	C12 14	RDCLKE	141	108	1
* C11 49	C10 17	DGERROR	294	185	1	* C14 43	C12 13	RDATAE/	145	186	1
* C11 53	C09 18	DGDRYLP	256	113	1	* C14 45	C12 13	RDATAE	136	78	1
* C12 04	C20 48	WCH11/	34	252	1	* C15 07	C14 09	ERDATAE	111	214	1
* C12 08	C20 22	WCH11/	15	156	1	* C15 17	C17 12	ERDATAE/	135	36	1
* C12 09	C20 24	WCON1/	16	157	1	* C15 19	C14 13	INTLK	121	117	1
* C12 79	C16 13	WRDATAFC	122	210	1	* C15 32	C16 54	RDATA	127	179	1
* C12 10	C13 38	INTLK	151	177	1	* C15 33	C16 07	RDATA	147	288	2
* C12 11	C14 33	RDCLKE/	140	178	1	* C15 34	C12 20	INTLK	146	79	1
* C12 12	C08 14	INTLK	153	209	1	* C15 34	C14 20	CLOCK	123	08	7
* C12 13	C14 45	RDATAE	144	107	1	* C15 35	C16 31	CLOCK	126	272	2
* C12 14	C14 37	RDCLKE	141	108	1	* C15 35	C12 23	CLOCK	126	272	2
* C12 16	C14 43	RDATAE/	145	186	1	* C15 37	C19 22	RDDATA	57	229	1



Burroughs Corporation 		PREP	PROJ	A2163 0637 C
DISK PACK PRODUCTS WESTLAKE PLANT U.S. AMERICA		CHKD	APPD	PAGE 6 OF 7
PROPRIETARY TO BURROUGHS. NOT TO BE REPRODUCED OR USED FOR MANUFACTURING PURPOSES EXCEPT ON BURROUGHS ORDER OR PRIOR WRITTEN CONSENT.		TITLE PIN LIST-COMMON ELECT. MOD.		

Burroughs Corporation 		PREP	PROJ	A2163 0637 C
DISK PACK PRODUCTS WESTLAKE PLANT U.S. AMERICA		CHKD	APPD	PAGE 7 OF 7
PROPRIETARY TO BURROUGHS. NOT TO BE REPRODUCED OR USED FOR MANUFACTURING PURPOSES EXCEPT ON BURROUGHS ORDER OR PRIOR WRITTEN CONSENT.		TITLE PIN LIST-COMMON ELECT. MOD.		

PIN	CO-PIN	SIGNAL	SEQ	WIRE	Z	PIN	CO-PIN	SIGNAL	SEQ	WIRE	Z
C15 39	C17 46	ECCFF	117	165	1	C17 25	C15 13	HOSELY	48	38	1
* C15 41	C16 39	LPCERR/	130	81	1	* C17 27	C20 09	HOSELAY	7	241	1
* C15 43	C16 11	WRENLA	132	109	1	* C17 27	C20 33	HOSELAY	26	274	2
C15 45	C16 33	DATERR/	129	50	1	* C17 29	C12 30	WRITF/	118	217	1
* C15 47	C16 15	ECCBYTE	134	260	2	* C17 30	C15 45	ZCCENC	114	51	1
* C15 49	C19 45	FCERR	76	233	1	* C17 31	C19 52	EY10	83	171	1
* C15 51	C17 42	SECTOR	133	218	1	* C17 32	C19 54	CLOCK	85	172	1
* C15 51	C04 14	SECTOR	216	266	2	* C17 32	C16 31	CLOCK	97	299	2
* C15 53	C12 29	POSSFY/	131	116	1	* C17 33	C16 47	LPCENC	115	17	1
* C16 07	C15 33	RDATA	127	179	1	* C17 35	C19 51	BY20	82	18	1
C16 09	C19 11	WRDATA	46	166	1	* C17 37	C16 36	ECCDORR/	110	62	1
C16 11	C15 43	WRENLA	132	109	1	* C17 37	C12 31	RDATINH	104	159	1
C16 11	C17 15	WRENLA	125	297	2	* C17 41	C19 03	WIM/	43	112	1
C16 13	C02 09	WRDATAFC	122	210	1	* C17 41	C19 10	WIM/	45	275	2
* C16 15	C17 47	ECCBYTE	116	187	1	* C17 42	C12 29	WIM/	100	900	3
* C16 15	C15 47	ECCBYTE	134	260	2	* C17 42	C18 13	SECTOR	133	218	1
C16 17	C12 23	RDENLA	149	211	1	* C17 43	C16 19	SECTOR	96	276	2
C16 17	C17 19	ROENLA	124	295	2	* C17 45	C12 45	SYNC	95	118	1
C16 19	C17 43	SYNC	95	118	1	* C17 46	C15 39	RDS10P	119	150	1
* C16 29	C17 53	ONSYNC	112	189	1	* C17 47	C16 15	ECCBYTE	116	187	1
* C16 31	C15 35	CLOCK	123	80	1	* C17 49	C16 37	LPCBYTE	115	27	1
* C16 31	C17 32	CLOCK	97	299	2	* C17 50	C16 52	INTLK	120	37	1
* C16 33	C15 45	DATERR/	129	50	1	* C17 51	C18 16	SYZ	98	277	2
* C16 36	C17 37	ECCDORR/	110	62	1	* C17 52	C18 08	INTLK	94	188	1
* C16 37	C17 49	LPCBYTE	115	52	1	* C17 53	C16 22	ENSYNC	112	189	1
* C16 39	C15 41	LPCERR/	130	81	1	* C18 08	C17 52	INTLK	94	188	1
* C16 45	C17 30	ECCENC	114	51	1	* C18 09	C04 24	SGLCLK	246	219	1
* C16 47	C17 33	LPCENC	113	17	1	* C18 11	C20 58	INTLK	39	167	1
* C16 49	C18 15	BY64	128	261	2	* C18 11	C04 22	RMCCLK	249	220	1
* C16 52	C17 50	INTLK	120	37	1	* C18 12	C04 09	SECTOR	74	110	1
* C16 54	C15 32	INTLK	121	117	1	* C18 13	C19 43	SECTOR	56	276	2
* C17 04	C12 22	RWSEL	137	158	1	* C18 13	C17 42	INDEX	73	170	1
* C17 07	C18 52	RWSEL	93	278	2	* C18 14	C19 55	INDEX	243	263	2
* C17 07	C14 21	TRUNK	102	164	1	* C18 15	C19 55	BY64	86	191	1
* C17 09	C14 19	CKDGENE/	107	212	1	* C18 15	C16 49	BY64	128	261	2
* C17 10	C14 11	EWDATAE	108	213	1	* C18 16	C19 56	BY2	77	111	1
* C17 11	C14 15	CKDGENE	105	163	1	* C18 16	C17 51	BY2	98	277	2
* C17 12	C15 17	RWSELUE	111	274	1	* C18 17	C19 53	WRENLA	64	14	1
* C17 13	C14 17	TRURDE	101	215	1	* C18 17	C19 53	WRENLA	66	48	1
* C17 14	C12 58	EWDATA	99	193	1	* C18 19	C19 29	BRDENL	62	47	1
* C17 15	C18 53	WRENLA	92	190	1	* C18 21	C19 34	BRDENL	67	175	1
* C17 15	C16 11	WRENLA	125	297	2	* C18 21	C08 15	SVGLCK	89	272	1
* C17 16	C14 07	EWDATAE/	109	162	1	* C18 23	C08 15	PWRST/	90	223	1
* C17 17	C13 45	TYPE 1	105	216	1	* C18 23	C04 18	RCOND/	247	122	1
* C17 19	C08 54	ROENLA	91	119	1	* C18 33	C04 18	RCOND/	247	122	1
* C17 19	C16 17	RDENLA	124	299	2	* C18 33	C08 15	RDAT/ENL	53	121	1
* C17 21	C12 51	TRURD/	103	161	1	* C18 35	C04 10	IOCLKENL	61	16	1
* C17 23	C20 11	HOSELAL	9	243	1	* C18 37	C19 18	IOCLKENL	61	16	1
* C17 23	C20 37	HOSELAL	28	273	2	* C18 40	C19 26	RDAT/ENL	55	168	1
* C17 24	C19 15	HOSELX	40	83	1	* C18 47	C19 26	RDAT/ENL	55	168	1
						* C18 49	C19 24	IOCLKENU	59	169	1

PIN	CO-PIN	SIGNAL	SEQ	WIRE	Z	PIN	CO-PIN	SIGNAL	SEQ	WIRE	Z
* C19 50	C19 41	INDSECNU	72	19	1	C19 52	C17 31	BY10	83	171	1
* C18 51	C15 44	INDSECENL	75	84	1	* C19 53	C02 13	SECTOR/	84	125	1
* C18 52	C19 17	RWSEL	52	120	1	C19 54	C17 32	CLOCK	85	172	1
* C18 52	C17 04	RWSEL	93	273	2	C19 55	C18 15	BY64	86	191	1
* C18 53	C17 15	WRENLA	92	190	1	* C19 56	C18 16	BY2	87	111	1
* C18 54	C17 19	RDENLA	91	119	1	* C19 57	C19 50	INTLK	298	292	2
* C19 02	C08 36	POSSETU	40	155	2	* C20 01	C05 07	LAMP	1	140	1
* C19 04	C07 43	DARI	41	224	1	* C20 04	C04 51	HOEXTL	2	236	1
* C19 06	C03 07	RDYESH	42	225	1	* C20 05	C05 21	EXCURRL	3	237	1
* C19 08	C17 41	WIM/	43	112	1	* C20 06	C05 29	WOLSEN	4	239	1
* C19 09	C06 16	POSSETL	44	154	1	* C20 07	C08 07	DIRL	5	239	1
* C19 10	C17 41	WIM/	45	275	2	* C20 08	C08 38	DWSCALEL	6	240	1
* C19 11	C16 09	WRDATA	46	166	2	* C20 09	C17 27	HOSELAY	7	241	1
* C19 12	C04 26	POS/	47	138	1	* C20 10	C08 11	CNTL	8	242	1
* C19 13	C17 25	HOSELAY	48	38	1	* C20 11	C17 23	HOSELAL	9	243	1
* C19 14	C03 18	RDYLP/	49	129	1	* C20 12	C20 38	INTLK	299	173	1
* C19 15	C17 24	HOSELX	50	83	1	* C20 13	C01 29	INTLK	88	244	1
* C19 16	C03 19	SELCKLP	51	130	1	* C20 14	C04 16	TENPDLIM	10	249	2
* C19 17	C18 52	RWSEL	52	120	1	* C20 15	C03 10	SVOCTRLBL	11	245	1
* C19 18	C18 37	RDAT/ENL	53	121	1	* C20 16	C05 39	SVVSEN	12	246	1
* C19 19	C07 53	DAR16	54	226	1	* C20 17	C05 35	SVOCTRLAL	13	247	1
* C19 20	C18 47	RDAT/ENL	55	168	1	* C20 19	C06 52	FUNC	14	240	1
* C19 21	C07 35	DARE	56	227	1	* C20 22	C12 37	MCM11/	15	156	1
* C19 22	C15 37	RDATA	57	228	1	* C20 24	C12 08	MCM12/	16	157	1
* C19 23	C07 41	DAR2	58	147	1	* C20 26	C02 09	INDSECL	17	124	1
* C19 24	C18 49	IOCLKENU	59	169	1	* C20 27	C05 53	*SIGN	18	249	1
* C19 25	C07 37	DAR4	60	229	1	* C20 28	C06 27	POSTAKL	19	146	1
* C19 26	C18 40	IOCLKENL	61	16	1	* C20 29	C05 53	LAMP	20	143	1
* C19 29	C18 20	BRD32	62	47	1	* C20 30	C04 47	HOEXTU	21	139	1
* C19 30	C07 51	DAR5	63	150	1	* C20 31	C05 23	EXCURRU	22	141	1
* C19 31	C18 17	WRNSL	64	14	1	* C20 32	C01 43	WOLSEN	23	250	1
* C19 32	C07 49	DAR64	65	149	1	* C20 33	C06 04	DIRU	24	151	1
* C19 33	C18 19	WRENLA	66	48	1	* C20 34	C03 40	DWSCALEU	25	251	1
* C19 34	C18 21	BRDENU	67	15	1	* C20 35	C17 27	HOSELAY	26	276	2
* C19 35	C03 31	DRIVEOP	68	230	1	* C20 36	C08 15	CNTU	27	153	1
* C19 38	C08 09	ADDCLR/	69	231	1	* C20 37	C17 23	HOSELAX	28	273	2
* C19 39	C07 54	DAR256	70	232	1	* C20 38	C20 12	INTLK	299	173	1
* C19 40	C07 47	DAR128	71	148	1	* C20 39	C04 23	INTLK	300	126	1
* C19 41	C18 50	INDSECENU	72	19	1	* C20 40	C04 16	TEXPNOTM	29	138	1
* C19 42	C18 14	INDEX	73	170	1	* C20 41	C03 07	SVOCTRLAU	30	127	1
* C19 43	C18 13	SECTCB	74	110	1	* C20 42	C05 37	SVVSEN	31	269	2
* C19 44	C18 51	INDSECFNL	75	84	1	* C20 43	C05 39	SVOCTRLAU	32	142	1
* C19 45	C15 49	FCERR	76	233	1	* C20 45	C06 52	FUNC	33	271	2
* C19 46	C03 23	ILLADD	77	234	1	* C20 48	C12 04	MCM10/	34	251	1
* C19 47	C04 28	POSU	78	137	1	* C20 50	C12 24	NCNDP/	35	253	1
* C19 48	C08 39	PARSEL	79	235	1	* C20 52	C02 17	IND. U	36	254	1
* C19 49	C03 31	DRIVECP	80	245	2	* C20 53	C04 50	*SIGN	37	270	2
* C19 50	C20 56	INTLK	81	39	1	* C20 54	C06 24	POSTRCKD	31	255	1
* C19 50	C19 57	INTLK	298	292	2	* C20 56	C19 50	INTLK	81	39	1
* C19 51	C17 35	SYZ	82	18	1	* C20 58	C18 10	INTLK	39	167	1

C19 27 C12 46 IOCLK 301 301

Burroughs Corporation		PREP	PROJ	A- 2857 1834	REV A
PERIPHERAL PRODUCTS GUADALAJARA PLANT GUADALAJARA, JAL., MEXICO		CHKD BARR	APPD	PAGE 1 OF 7	

PROPRIETARY TO BURROUGHS CORPORATION. NOT TO BE REPRODUCED NOR USED FOR MANUFACTURING PURPOSES EXCEPT ON BURROUGHS ORDER OR PRIOR WRITTEN CONSENT.

TITLE  
PIN LIST - COMMON ELECT. MOD. D. S.

REV	CONTROL DOC B N°	DR	CHK	APPD	PAGE	LINE OR FR	REVISION	DESCRIPTION	CLASS CODE
A	REN 10553	BARR		goy				INITIAL RELEASE.	

Burroughs Corporation		PREP	PROJ	A- 2857 1834	REV A
PERIPHERAL PRODUCTS GUADALAJARA PLANT GUADALAJARA, JAL., MEXICO		CHKD	APPD	PAGE 2 OF 7	

PROPRIETARY TO BURROUGHS CORPORATION. NOT TO BE REPRODUCED NOR USED FOR MANUFACTURING PURPOSES EXCEPT ON BURROUGHS ORDER OR PRIOR WRITTEN CONSENT.

TITLE  
PIN LIST - COMMON ELECT. MOD. D. S.

PIN	CC-PIN	SIGNAL	SEO	WIRE	Z	PIN	CC-PIN	SIGNAL	SEO	WIRE	Z
C01 09	C10 54	SVOCCLK	295	122	1	C03 51	C04 21	IPADD2	236	195	1
* C01 09	C02 31	SVOCCLK	244	281	2	* C03 52	C04 19	IP ADD1	235	67	1
C01 33	C06 53	VREF	204	123	1	C03 53	C08 44	CLRPARU/			
C01 37	C02 18	INTLK	245	200	1	C03 54	C04 52	FTIMER	219	23	1
* C01 39	C20 13	INTLK	88	244	1	C03 50	C07 39	ADDCLR/	156	131	1
* C01 45	C20 32	VOLSEN	23	250	1	* C04 07	C03 25	COND/	222	201	1
C01 45	C05 29	VOLSEN	212	262	2	* C04 08	C03 12	DFLAG	220	20	1
C02 09	C20 26	INDSECL	17	124	1	* C04 09	C18 12	RWCND/	248	221	1
* C02 12	C04 14	SECTOR	227	67	1	* C04 10	C18 35	RWCNDB/	247	132	1
C02 13	C19 53	SECTOR/	84	125	1	* C04 11	C08 19	ONSCALE	224	133	1
C02 15	C18 14	INDEX	243	263	2	C04 12	C05 17	UPSPEEDU/	209	6	1
* C02 17	C23 52	INDSECU	36	254	1	* C04 12	C02 45	UPSPEEDU/	217	279	2
* C02 18	C01 37	INTLK	245	200	1	* C04 13	C02 45	DIR/	228	134	1
* C02 20	C03 34	INTLK	242	56	1	C04 14	C02 12	SECTOR	216	206	2
C02 31	C04 54	SVOCCLK	224	85	1	C04 14	C15 51	SECTOR	227	62	1
C02 31	C01 09	SVOCCLK	244	281	2	C04 15	C03 43	PORTASEL/	229	95	1
C02 43	C04 37	UPSPEEDL/	218	293	2	* C04 15	C20 40	TEMPNOIM	29	135	1
C02 45	C04 12	UPSPEEDU/	217	279	2	* C04 16	C20 14	TEMPNOIM	10	289	2
C02 51	C08 22	RMSL	160	126	1	C04 17	C05 49	ERROR	225	86	1
C03 07	C20 41	SVOCRLBU	30	127	1	* C04 18	C18 33	PWRST/	90	223	1
* C03 08	C05 33	SVOCRLAU	240	282	2	* C04 18	C03 15	PWRST/	239	294	2
C03 09	C05 35	SVOCRLAL	241	256	2	* C04 19	C03 52	IPADD1	235	87	1
* C03 10	C20 15	SVOCRLBL	11	245	1	C04 20	C03 47	COMO	221	88	1
* C03 11	C08 16	POSSETL	170	284	2	* C04 21	C03 51	IPADD2	236	105	1
C03 12	C04 08	DFLAG	220	20	1	* C04 22	C18 11	RWMCLK	249	220	1
C03 13	C08 39	PARSEL	159	264	2	* C04 23	C20 39	INTLK	300	136	1
* C03 14	C08 36	POSSETU	171	285	2	* C04 24	C18 09	SGLCLK	246	219	1
C03 15	C04 18	PWRST/	239	294	2	* C04 25	C19 47	POSU/	70	137	1
C03 16	C06 35	SIGN	205	128	1	C04 26	C19 12	POSU/	47	138	1
* C03 17	C19 06	RDYFSH	42	225	1	* C04 29	C03 44	PORTASEL/	232	53	1
C03 18	C19 14	RDYLP/	49	129	1	C04 30	C03 45	IPADD4	237	4	1
C03 19	C19 16	SELOCKLP	51	130	1	* C04 31	C07 36	CYCR	233	283	2
* C03 23	C19 46	ILLADD	77	234	1	* C04 33	C07 52	SIGN P	201	205	1
C03 24	C05 31	STRTIMER	213	21	1	* C04 34	C06 33	D=0	231	295	2
C03 25	C04 07	COND/	222	201	1	* C04 35	C07 04	DILLADD	202	100	1
* C03 31	C19 35	DRIVEOP	68	230	1	* C04 37	C05 25	UPSPEEDL/	210	57	1
C03 31	C19 49	DRIVEOP	80	265	2	* C04 37	C02 43	UPSPEEDL/	218	293	2
C03 32	C04 43	FLAG1	233	3	1	* C04 40	C03 36	INTLK	238	63	1
C03 34	C02 20	INTLK	242	56	1	C04 41	C03 41	PORTCSEL/	234	64	1
C03 35	C05 47	ERRFLAG	207	22	1	* C04 42	C05 18	INTLK	214	69	1
* C03 36	C04 40	INTLK	238	63	1	* C04 43	C03 32	FLAG1	233	3	1
* C03 37	C04 58	RUNLOCK	223	194	1	C04 47	C20 30	HDEXTU	21	139	1
* C03 39	C05 45	CLEAR	208	65	1	* C04 50	C05 43	TPERRST/	215	1	1
* C03 41	C04 41	PORTCSEL/	234	64	1	* C04 51	C20 04	HDEXTL	2	236	1
* C03 43	C04 15	PORTASEL/	229	95	1	* C04 52	C03 54	FTIMER	219	23	1
C03 44	C04 29	PORTBSEL/	232	53	1	* C04 54	C02 31	SVOCCLK	224	85	1
* C03 45	C04 30	IPADD4	237	4	1	C04 54	C03 15	SVOCCLK	189	289	2
* C03 47	C04 20	COND	221	88	1	C04 58	C03 27	RUMLOCK	223	194	1
* C03 49	C07 45	SEKDR/	191	204	1	C05 07	C20 01	LAMPL	1	140	1
* C03 50	C05 15	SETERR/	211	96	1	C05 15	C03 50	SETERR/	211	95	1
						* C05 16	C06 26	INTLK	206	58	1

<b>Burroughs Corporation</b> PERIPHERAL PRODUCTS GUADALAJARA PLANT GUADALAJARA, JAL., MEXICO	PREP	PROJ	<b>A- 2857 1834</b>	REV
	CHKD	APPD		PAGE 3 OF 7
PROPRIETARY TO BURROUGHS CORPORATION. NOT TO BE REPRODUCED NOR USED FOR MANUFACTURING PURPOSES EXCEPT ON BURROUGHS ORDER OR PRIOR WRITTEN CONSENT.		TITLE <b>PIN LIST-COMMON ELECT. MOD. D.S.</b>		

<b>Burroughs Corporation</b> PERIPHERAL PRODUCTS GUADALAJARA PLANT GUADALAJARA, JAL., MEXICO	PREP	PROJ	<b>A- 2857 1834</b>	REV
	CHKD	APPD		PAGE 4 OF 7
PROPRIETARY TO BURROUGHS CORPORATION. NOT TO BE REPRODUCED NOR USED FOR MANUFACTURING PURPOSES EXCEPT ON BURROUGHS ORDER OR PRIOR WRITTEN CONSENT.		TITLE <b>PIN LIST-COMMON ELECT. MOD. D.S.</b>		

PIN	CO-PIN	SIGNAL	SEQ	WIRE	Z	PIN	CO-PIN	SIGNAL	SEQ	WIRE	Z
* C05 17	C04 12	UPSPEEDU/	209	6	1	* C06 43	C07 31	D16	186	55	1
C05 18	C04 42	INTLK	214	89	1	* C06 45	C07 14	D3	195	103	1
* C05 21	C20 05	EXCURRL	3	237	1	* C06 47	C07 11	D4	194	102	1
C05 23	C20 31	EXCURRU	22	141	1	* C06 49	C07 23	D2	193	93	1
* C05 25	C04 37	UPSPEEDL/	210	57	1	* C06 50	C20 27	*SIGNAL	16	249	1
C05 27	C08 30	CNSCALEL	157	267	2	* C06 51	C20 53	*SIGNAL	37	270	2
* C05 29	C20 06	VOLSEN	4	238	1	* C06 52	C07 13	D1	192	196	1
* C05 29	C01 45	VOLSEN	212	262	2	* C06 52	C20 19	FUNC	14	248	1
* C05 31	C03 24	STRTIMER	213	21	1	* C06 52	C20 45	FUNC	33	271	2
C05 33	C20 43	SVOCTRLAU	32	142	1	* C06 53	C01 33	VREF	204	123	1
C05 33	C03 08	SVOCTRLAU	240	282	2	* C06 53	C06 15	VREF	296	257	2
* C05 35	C20 17	SVOCTRLAL	13	247	1	* C06 54	C04 35	DILLADD	202	106	1
* C05 35	C03 09	SVOCTRLAL	241	256	2	* C07 07	C08 42	C4	163	180	3
C05 37	C08 40	CNSCALEU	158	268	2	* C07 09	C08 53	C8	164	199	1
* C05 39	C20 16	35VSEN	12	246	1	C07 10	C08 51	C2	162	101	1
C05 39	C20 42	35VSEN	31	269	2	* C07 11	C20 47	D4	194	102	1
C05 43	C04 50	TPMRRST/	215	1	1	* C07 12	C08 49	CI	161	198	1
C05 45	C03 39	CLEAR	268	65	1	* C07 13	C06 51	D1	192	196	1
* C05 47	C03 35	ERPFLAG	207	22	1	C07 14	C08 45	D8	195	103	1
* C05 49	C04 17	ERRCR	225	86	1	* C07 15	C08 43	C16	165	177	1
C05 53	C20 29	LAMPU	23	143	1	C07 17	C08 41	C02	166	90	1
C06 07	C08 24	TEMPC32L	180	144	1	* C07 19	C08 45	C64	167	91	1
C06 08	C08 28	TEMPC64L	182	97	1	C07 21	C08 47	C123	160	92	1
* C06 09	C08 32	TEMPC128L	184	174	1	* C07 22	C08 12	INTLK	188	3	1
C06 10	C08 31	TEMPC4L	174	98	1	C07 23	C06 49	D2	193	93	1
* C06 11	C08 10	TEMPC256L	186	206	1	* C07 24	C06 28	INTLK	203	25	1
* C06 12	C08 25	TEMPC8L	176	60	1	* C07 25	C06 39	D64	190	59	1
* C06 13	C08 33	TEMPC2L	172	202	1	* C07 27	C06 37	D128	199	5	1
* C06 14	C08 27	TEMPC16L	178	7	1	C07 29	C08 20	C256	169	41	1
* C06 15	C04 17	VREF	297	61	1	* C07 31	C06 43	D16	195	55	1
C06 15	C06 53	VREF	296	257	2	* C07 33	C06 41	D82	197	54	1
C06 16	C08 25	TEMPC2U	173	99	1	* C07 35	C19 21	DAR8	56	227	1
C06 17	C06 15	VREF	297	61	1	* C07 35	C08 17	CTCK	190	94	1
* C06 18	C08 37	TEMPC4U	175	203	1	* C07 36	C04 31	CTCK	250	283	2
* C06 19	C08 46	TEMPC256U	187	181	1	* C07 37	C19 25	DAR4	60	229	1
* C06 20	C08 23	TEMPC8U	177	66	1	* C07 39	C03 58	ADDCLR/	156	131	1
* C06 21	C08 34	TEMPC128U	185	208	1	* C07 39	C03 09	ADDCLR/	155	258	2
C06 22	C08 29	TEMPC16U	179	24	1	* C07 41	C19 23	DAR2	53	147	1
C06 23	C08 30	TEMPC64U	163	145	1	* C07 43	C19 04	DAR1	41	224	1
* C06 24	C20 54	POSITRANU	38	255	1	* C07 45	C03 49	SEKRDAR/	191	204	1
* C06 25	C08 26	TEMPC32U	181	207	1	C07 47	C19 40	DAR128	71	148	1
C06 26	C05 16	INTLK	206	58	1	C07 49	C19 32	DAR64	65	149	1
C06 27	C20 28	POSITRKL	19	146	1	* C07 50	C06 33	D=0	200	2	1
C06 28	C07 24	INTLK	203	25	1	C07 51	C19 30	DAR32	63	150	1
C06 33	C07 50	D=0	200	2	1	* C07 52	C04 53	SIGN P	201	205	1
* C06 33	C04 34	D=0	231	295	2	* C07 53	C19 19	DAR16	54	226	1
* C06 35	C03 16	SIGN	205	128	1	* C07 54	C19 39	DAR256	70	232	1
* C06 37	C07 27	D128	199	5	1	C08 04	C20 33	DIBU	24	151	1
C06 39	C07 25	D64	198	59	1	* C08 07	C20 07	DERL	5	239	1
C06 41	C07 33	D32	197	54	1	C08 08	C12 17	RW256	152	152	1

PIN	CO-PIN	SIGNAL	SEQ	WIRE	Z	PIN	CO-PIN	SIGNAL	SEQ	WIRE	Z
* C08 09	C19 38	ADDCLR/	69	231	1	* C09 08	C11 33	DGSUCTFLAU	274	104	1
C08 09	C07 39	ADDCLR/	155	258	2	C09 09	C11 35	DGSVCTRLAL	275	105	1
* C08 10	C06 11	TEMPC256L	186	206	1	C09 10	C11 21	DGCTRBL	251	26	1
* C08 11	C20 10	CNTL	9	242	1	* C09 11	C11 25	DGPOSSETL	255	27	1
* C08 12	C20 22	INTLK	188	3	1	* C09 12	C10 06	DGDFLAG	276	67	1
* C08 13	C20 36	CNTU	27	153	1	C09 13	C11 17	DGPARSEL	253	28	1
* C08 14	C12 12	INTLK	153	209	1	* C09 14	C11 27	DGPOSSETU	254	45	1
* C08 15	C18 23	SVOLCK	89	222	1	* C09 15	C10 13	DGPMRRST/	291	63	1
* C08 15	C04 54	SVOLCK	189	280	2	* C09 16	C11 37	DGSIGN	252	170	1
C08 16	C19 09	POSSETL	44	154	1	* C09 17	C11 07	DGDRYFLH	257	29	1
* C08 16	C03 11	POSSETL	170	284	2	C09 18	C11 53	DGDRYFLP	256	113	1
* C08 17	C07 36	CTCK	190	94	1	* C09 19	C11 29	DGSELOCKLP	258	73	1
* C08 18	C12 29	POSSET/	148	287	2	* C09 20	C10 25	DGSPARE8	269	44	1
* C08 19	C04 11	C256	226	133	1	* C09 21	C10 16	DGSPARE1	260	30	1
* C08 21	C07 29	C256	169	41	1	* C09 22	C10 13	DGSPARE2	261	10	1
* C08 21	C04 13	DIR/	228	134	1	* C09 23	C11 39	DGILLADD	259	46	1
* C08 22	C12 51	RNSEL	160	126	1	* C09 24	C11 31	DGSTRTIMER	277	74	1
* C08 22	C12 22	RNSEL	154	286	2	* C09 25	C10 07	DGCOND/	290	175	1
* C08 23	C06 07	TEMPC8U	177	66	1	* C09 27	C10 11	DGSPARE4	263	9	1
* C08 24	C06 07	TEMPC32L	180	144	1	* C09 28	C10 14	DGSPARE3	262	42	1
C08 25	C06 12	TEMPC8L	176	60	1	* C09 29	C10 51	DGSPARE5	264	184	1
* C08 26	C06 25	TEMPC32U	181	207	1	* C09 30	C10 23	DGSPARE6	266	43	1
* C08 27	C06 14	TEMPC16L	178	7	1	* C09 31	C10 31	DGDRIVEOP	271	31	1
* C08 28	C06 08	TEMPC64L	182	97	1	* C09 32	C10 43	DGFLAG1	292	11	1
* C08 29	C06 23	TEMPC16U	179	24	1	* C09 33	C10 35	DGSPARE7	267	70	1
* C08 30	C06 22	TEMPC64U	183	145	1	* C09 35	C11 47	DGERRFLAG	278	32	1
* C08 31	C06 10	TEMPC4L	174	98	1	* C09 37	C10 58	DGUNCLOCK	288	192	1
* C08 32	C06 09	TEMPC128L	184	174	1	* C09 39	C11 45	DGDRIVEOP	287	75	1
C08 33	C06 13	TEMPC2L	172	202	1	* C09 41	C10 41	DGPORTASEL	291	162	1
* C08 34	C06 21	TEMPC128U	185	208	1	* C09 43	C10 15	DGPORTASEL	282	12	1
* C08 35	C06 16	TEMPC2U	173	99	1	* C09 44	C10 29	DGPORTASEL	291	162	1
* C08 36	C19 02	POSSETU	40	153	1	* C09 45	C10 30	DGCOND	282	12	1
* C08 36	C03 14	POSSETU	171	285	2	* C09 47	C10 20	DGCOND	284	13	1
* C08 37	C06 18	TEMPC4U	175	203	1	* C09 50	C11 15	DGSETERR	279	106	1
* C08 38	C20 08	CNSCALEL	157	267	2	* C09 51	C10 21	DGIPADD2	285	183	1
* C08 38	C05 27	CNSCALEL	79	235	1	* C09 52	C10 19	DGIPADD1	286	114	1
* C08 39	C19 43	PARSEL	159	264	2	* C09 54	C10 52	DGFTIMER	280	72	1
* C08 39	C03 13	PARSEL	25	251	1	* C10 07	C09 25	DGCOND/	290	175	1
* C08 40	C20 34	CNSCALEU	158	268	2	* C10 08	C09 12	DGDFLAG	276	67	1
* C08 41	C07 17	C32	166	90	1	* C10 11	C09 27	DGSPARE4	263	9	1
* C08 42	C07 07	C4	163	180	1	* C10 13	C09 22	DGSPARE2	261	10	1
* C08 43	C07 15	C16	165	197	1	* C10 14	C09 28	DGSPARE3	262	42	1
* C08 44	C03 53	CLRPARU/	167	91	1	* C10 15	C09 43	DGPORTASEL	281	162	1
* C08 45	C07 19	C64	167	91	1	* C10 16	C09 21	DGSPARE1	260	30	1
* C08 46	C06 19	TEMPC256U	187	181	1	* C10 17	C11 49	DGERRR	294	185	1
* C08 47	C07 21	C128	168	92	1	* C10 18	C09 15	DGPMRRST/	291	63	1
* C08 49	C07 12	C1	161	198	1	* C10 19	C09 52	DGIPADD1	286	114	1
* C08 51	C07 10	C2	162	101	1	* C10 20	C09 47	DGCOND	289	115	1
* C08 53	C07 09	C8	164	199	1	* C10 21	C09 51	DGIPADD2	288	183	1
* C09 07	C11 23	DGSVCTRBU	250	40	1	* C10 23	C09 50	DGSPARE6	266	43	1

<b>Burroughs Corporation</b> PERIPHERAL PRODUCTS GUADALAJARA PLANT GUADALAJARA, JAL., MEXICO	PREP	PROJ	<b>A- 2857 1834</b> PAGE 5 OF 7	REV A
	CHKD	APPD		
PROPRIETARY TO BURROUGHS CORPORATION. NOT TO BE REPRODUCED NOR USED FOR MANUFACTURING PURPOSES EXCEPT ON BURROUGHS ORDER OR PRIOR WRITTEN CONSENT.		TITLE <b>PIN LIST-COMMON ELECT. MOD. D.S.</b>		

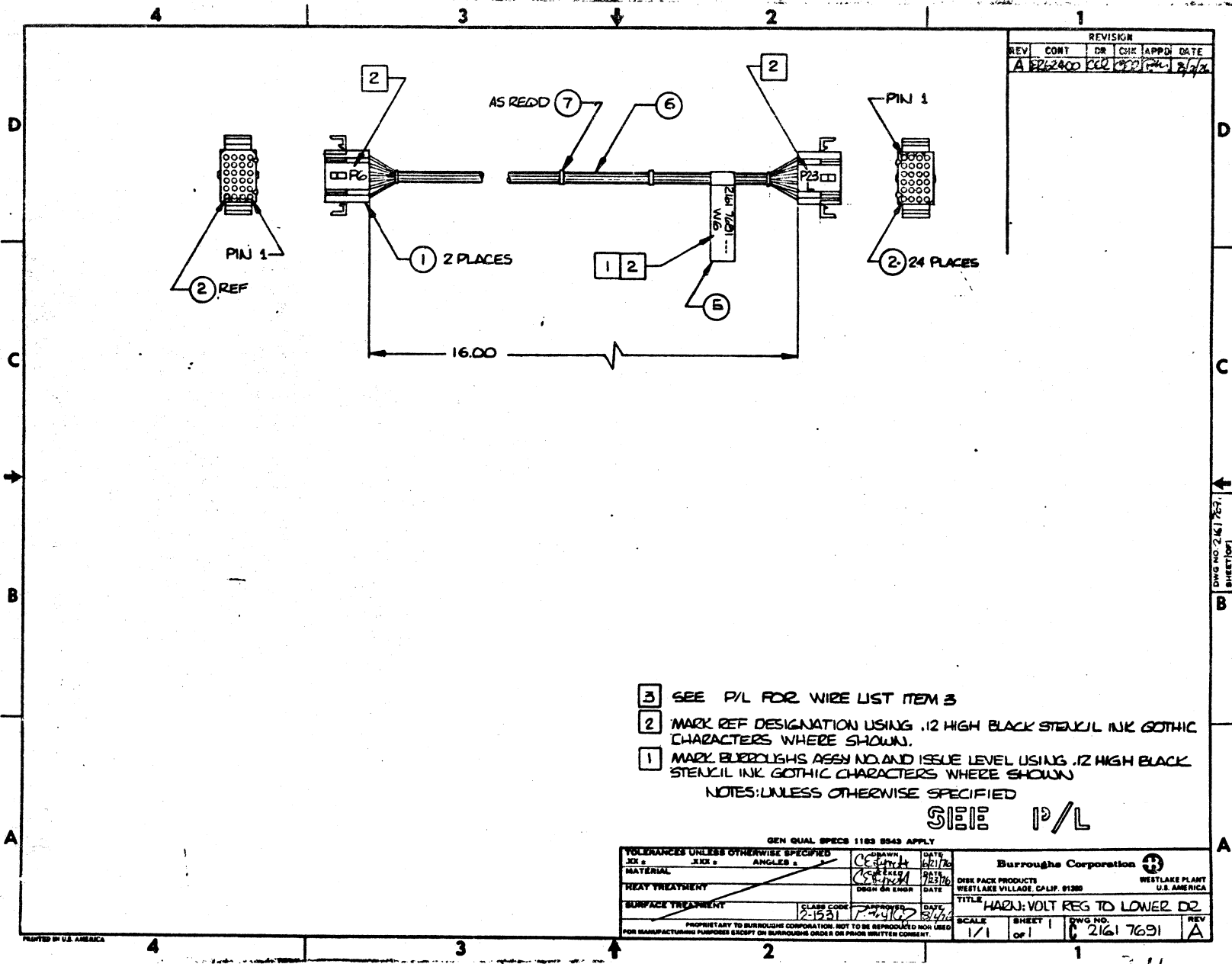
<b>Burroughs Corporation</b> PERIPHERAL PRODUCTS GUADALAJARA PLANT GUADALAJARA, JAL., MEXICO	PREP	PROJ	<b>A- 2857 1834</b> PAGE 6 OF 7	REV A
	CHKD	APPD		
PROPRIETARY TO BURROUGHS CORPORATION. NOT TO BE REPRODUCED NOR USED FOR MANUFACTURING PURPOSES EXCEPT ON BURROUGHS ORDER OR PRIOR WRITTEN CONSENT.		TITLE <b>PIN LIST-COMMON ELECT. MOD. D.S.</b>		

PIN	CO-PIN	SIGNAL	SEQ	WIRE	Z	PIN	CO-PIN	SIGNAL	SEQ	WIRE	Z
C10 25	C09 20	DGSPAREB	269	44	1	* C12 17	C08 08	RW256	152	152	1
C10 25	C10 26	DGSPAREB	270	296	2	* C12 19	C17 41	WIH/	100	300	3
* C10 26	C10 25	DGSPAREB	270	296	2	C12 22	C17 04	RWSEL	137	158	1
* C10 29	C09 45	DGPORTSEL	282	12	1	C12 22	C08 22	RWSEL	154	286	2
C10 30	C09 45	DGTPADDA	284	13	1	* C12 23	C16 17	RDENLA	149	211	1
* C10 31	C09 31	DGDRIVEOP	271	31	1	* C12 24	C20 50	WCONQ/	35	253	1
C10 31	C10 33	DGDRIVEOP	272	290	2	* C12 29	C15 33	RDATA	147	288	2
* C10 33	C10 34	DGDRIVEOP	273	69	1	C12 29	C15 35	CLOCK	126	272	2
* C10 33	C10 31	DGDRIVEOP	272	290	2	* C12 29	C15 33	CLOCK	131	116	1
C10 34	C10 33	DGDRIVEOP	273	69	1	C12 30	C08 18	POSSET/	148	287	2
* C10 35	C09 33	DGSPARE7	267	70	1	* C12 30	C17 29	WRITE/	118	217	1
* C10 35	C11 09	DGSPARE7	268	259	2	C12 31	C17 39	RDATAINH	104	159	1
C10 41	C09 41	DGPORTSEL	283	71	1	* C12 31	C17 45	RDSTOP	119	160	1
* C10 43	C09 32	DGFLAG1	292	11	1	C12 46	C19 27	IOCLK	301	301	
C10 47	C10 51	DGSPARE5	265	291	2	* C12 51	C17 21	TRUAD/	103	161	1
C10 50	C11 43	DGTPWRST	293	49	1	C12 58	C17 14	ENDATA	99	193	1
C10 51	C09 29	DGSPARE5	264	184	1	* C13 25	C14 25	ERDZE	142	78	1
* C10 51	C10 47	DGSPARE5	265	291	2	C13 26	C14 26	GND	143	33	1
C10 52	C09 54	DGFTIMER	280	72	1	* C13 29	C14 25	2XROCKLE	138	34	1
* C10 54	C01 39	SVOCCLK	295	122	1	C13 30	C14 26	GND	139	77	1
* C10 58	C09 37	DGSRNCLK	288	192	1	* C13 30	C14 30	INTLK	150	35	1
* C11 07	C09 17	DGSDVFLM	257	29	1	C13 38	C12 10	INTLK	191	177	1
C11 09	C10 35	DGSPARE7	268	259	2	* C13 45	C17 17	TYPE I	105	216	1
* C11 15	C09 50	DGSETERR	279	106	1	C14 07	C17 16	ERDATAE/	109	162	1
* C11 17	C09 13	DGPARSEL	253	28	1	* C14 09	C15 07	ERDATAE	136	78	1
* C11 21	C09 10	DGCTREL	251	26	1	* C14 11	C17 15	ERDATAE	108	213	1
C11 23	C09 07	DGSVCTRB	250	40	1	* C14 13	C15 17	ERDATAE/	135	36	1
* C11 25	C09 11	DGPOSSETL	255	27	1	C14 15	C17 11	CLKOENE	196	163	1
* C11 27	C09 14	DGPOSSETU	254	45	1	* C14 17	C17 13	TRURBE	101	215	1
C11 29	C09 19	DGSELCKLP	258	73	1	* C14 19	C17 09	CLKOENE/	107	212	1
* C11 31	C09 24	DGSTRTIMER	277	74	1	* C14 21	C17 07	TRUWRE	102	164	1
* C11 33	C09 08	DGSUCTRLAU	274	104	1	C14 25	C13 25	ERDZE	142	76	1
* C11 35	C09 09	DGSVCTRLAL	275	105	1	* C14 26	C13 26	GND	143	33	1
C11 37	C09 16	DGSIEN	252	176	1	* C14 28	C13 34	INTLK	144	79	1
* C11 39	C09 23	DGILLADD	259	46	1	* C14 30	C13 36	INTLK	150	35	1
* C11 43	C10 50	DGTPWRST	293	49	1	* C14 35	C12 11	RDCLKE/	140	178	1
* C11 45	C09 39	DGCLFAR	287	75	1	* C14 35	C12 13	2XROCKLE	139	34	1
* C11 47	C09 35	DGERRFLAG	278	32	1	* C14 35	C13 30	GND	139	77	1
* C11 49	C10 17	DGERRDR	294	185	1	* C14 37	C12 14	RDCLK	141	108	1
* C11 53	C09 18	DGADYLP	256	113	1	* C14 43	C12 16	RDATAE/	145	166	1
* C12 04	C20 48	WCHI0/	34	252	1	* C14 45	C12 13	RDATAE	144	107	1
C12 07	C20 22	WCHI1/	15	156	1	* C15 07	C14 09	ERDATAE	136	76	1
* C12 08	C20 24	WCON1/	16	157	1	* C15 17	C17 12	PHSELUE	111	214	1
* C12 09	C16 13	RDATAFPC	122	210	1	* C15 19	C14 13	ERDATAE/	135	36	1
* C12 10	C13 38	INTLK	151	177	1	* C15 32	C16 54	INTLK	121	117	1
* C12 11	C14 33	RDCLKE/	140	177	1	C15 33	C16 07	RDATA	127	179	1
C12 12	C08 14	INTLK	153	209	1	* C15 33	C12 27	RDATA	147	288	2
C12 13	C14 45	RDATAE	144	107	1	* C15 34	C14 20	INTLK	145	77	1
C12 14	C14 37	RDCLK	141	108	1	* C15 35	C16 51	CLOCK	123	69	1
* C12 16	C14 43	RDATAE/	145	186	1	* C15 25	C12 28	CLOCK	126	272	2
						* C15 37	C19 22	RDDATA	51	228	1

PIN	CO-PIN	SIGNAL	SEQ	WIRE	Z	PIN	CO-PIN	SIGNAL	SEQ	WIRE	Z
* C15 39	C17 46	ECCFF	117	165	1	C17 25	C19 13	HOSELY	48	38	1
* C15 41	C16 39	LPCERR/	130	81	1	* C17 27	C20 09	HOSELY	7	261	1
* C15 43	C16 11	WRENLA	132	109	1	C17 29	C12 30	WRITF/	26	274	2
* C15 45	C16 33	DATERR/	129	50	1	* C17 30	C16 45	ECCORR/	114	51	1
* C15 47	C16 15	ECCYTE	134	260	2	* C17 31	C19 52	BY30	83	171	1
* C15 49	C19 45	FCERR	76	233	1	* C17 32	C19 54	CLOCK	95	172	1
* C15 51	C17 42	SECTOR	133	218	1	* C17 32	C16 31	CLOCK	97	299	2
* C15 51	C04 14	SECTOR	216	266	2	* C17 32	C16 31	CLOCK	113	17	1
* C15 51	C15 42	POSSET/	131	116	1	* C17 33	C36 47	LPCCNC	82	18	1
* C15 53	C12 39	RDATA	127	179	1	C17 35	C19 51	BY20	110	52	1
* C16 07	C15 33	RDATA	127	179	1	* C17 37	C16 36	ECCORR/	104	159	1
C16 11	C19 11	RDATA	46	166	1	* C17 37	C12 31	RDATINH	43	112	1
C16 11	C17 15	WRENLA	132	109	1	* C17 41	C19 03	WIH/	45	275	2
C16 13	C17 09	WRENLA	125	297	2	C17 41	C19 10	WIH/	100	100	3
* C16 15	C17 47	WRENLA	122	210	1	* C17 41	C12 19	SECTOR	133	218	1
C16 15	C15 43	ECCBYTE	134	260	2	C17 42	C15 51	SECTOR	96	276	2
C16 17	C12 23	FCERR	149	211	1	* C17 43	C18 13	SYN	95	138	1
C16 17	C17 19	RDENLA	124	298	2	* C17 45	C12 45	RDSTOP	119	150	1
C16 19	C17 43	SYN	95	118	1	* C17 45	C15 39	ECCFF	117	165	1
* C16 29	C17 53	ONSYNC	112	189	1	* C17 47	C16 15	ECCYTE	116	187	1
* C16 31	C15 35	CLCK	123	80	1	* C17 49	C16 37	LPCBYTE	115	52	1
C16 31	C17 32	CLOCK	97	299	2	* C17 50	C16 52	INTLK	120	37	1
* C16 33	C15 45	DATERR/	129	50	1	* C17 51	C18 16	BY2	93	277	2
* C16 36	C17 37	ECCORR/	110	82	1	C17 52	C18 08	INTLK	94	188	1
* C16 37	C17 49	LPCBYTE	115	52	1	* C17 53	C16 29	CLNSYN	112	189	1
C16 39	C15 41	LPCERR/	130	81	1	* C18 08	C17 52	INTLK	94	188	1
* C16 45	C17 30	LPCENC	114	51	1	* C18 09	C04 24	SGCLLK	246	219	1
* C16 47	C17 33	LPCCNC	113	17	1	* C18 10	C20 58	INTLK	39	157	1
* C16 49	C18 15	BY64	128	261	2	* C18 11	C04 22	RMCLK	249	220	1
* C16 52	C17 50	INTLK	120	37	1	C18 12	C04 09	RWCOND/	248	221	1
* C16 54	C15 32	INTLK	121	117	1	C18 13	C19 43	SECTOR	74	110	1
* C17 04	C18 52	RWSEL	137	158	1	* C18 13	C17 42	SECTOR	96	276	2
* C17 07	C14 21	TRURBE	93	278	2	* C18 14	C19 42	INDEX	53	170	1
* C17 09	C14 19	CLKOENE/	107	212	1	* C18 14	C02 15	INDEX	263	263	2
C17 10	C14 11	ERDATAE	108	213	1	* C18 15	C19 55	BY64	86	191	1
* C17 11	C14 15	CLKOENE	106	163	1	C18 15	C16 49	BY64	128	261	2
C17 12	C14 17	RWSEL	111	214	1	C18 16	C19 56	BY2	87	111	1
* C17 13	C14 17	TRURDE	101	215	1	* C18 16	C17 51	BY2	88	277	2
* C17 14	C12 58	ERDATA	99	193	1	C18 17	C19 51	WRENLA	84	14	1
* C17 15	C18 53	WRENLA	92	190	1	* C18 19	C19 33	WRENU	66	48	1
* C17 15	C16 11	WRENLA	125	297	2	* C18 20	C19 29	RDENLA	62	47	1
* C17 15	C14 07	ERDATAE/	109	162	1	C18 21	C19 34	RDENLA	67	15	1
* C17 17	C13 45	TYPE I	105	216	1	C08 15	C08 15	SVCLLK	89	223	1
* C17 19	C18 54	RDENLA	91	119	1	C18 33	C04 18	PHRST/	80	232	1
* C17 19	C16 17	RDENLA	124	298	2	* C18 35	C04 10	RCONDG/	247	122	1
* C17 21	C12 51	TRURD/	103	161	1	* C19 37	C19 18	RDATINH	53	121	1
* C17 23	C20 11	HOSELAL	9	243	1	* C19 40	C19 26	HOSELAL	61	16	1
C17 23	C20 37	HOSELAX	28	273	2	C18 47	C19 23	RDATINH	55	168	1
* C17 24	C19 15	HOSELX	50	83	1	C18 49	C19 24	IOCLKENU	59	169	1

<b>Burroughs Corporation</b> PERIPHERAL PRODUCTS GUADALAJARA PLANT GUADALAJARA, JAL., MEXICO	PREP	PROJ	<b>A- 2857 1834</b> PAGE 7 OF 7	REV A
	CHKD	APPD		
PROPRIETARY TO BURROUGHS CORPORATION. NOT TO BE REPRODUCED NOR USED FOR MANUFACTURING PURPOSES EXCEPT ON BURROUGHS ORDER OR PRIOR WRITTEN CONSENT.			TITLE <b>PIN LIST-COMMON ELECT. MOD. D.S.</b>	

PIN	CO-PIN	SIGNAL	SEQ	WIRE	Z	PIN	CO-PIN	SIGNAL	SEQ	WIRE	Z
C19 50	C19 41	INDSECENU	72	19	1	C19 52	C17 31	BY10	83	171	1
C18 51	C19 44	INDSECENL	75	84	1	* C19 53	C02 13	SECTOR/	84	125	1
C18 52	C19 17	RMSEL	52	120	1	C19 54	C17 32	CLOCK	85	172	1
C18 52	C17 04	RMSEL	93	278	2	C19 55	C18 15	BY64	86	191	1
C18 53	C17 15	WRNLA	92	190	1	* C19 56	C18 16	BY2	87	111	1
C18 54	C17 19	RDNLA	91	119	1	* C19 57	C19 50	INTLK	298	292	2
C19 02	C08 36	POSSETU	40	155	1	* C20 01	C05 07	LAWFL	1	140	1
C19 04	C07 43	DARI	41	224	1	C20 04	C04 51	MOEXL	2	236	1
C19 06	C03 17	RDYFSH	42	225	1	C20 05	C05 21	EXCURRL	3	237	1
C19 08	C17 41	WIH/	43	112	1	C20 06	C05 29	VLSEN	4	238	1
C19 09	C08 16	POSSETL	44	154	1	C20 07	C08 07	DIRL	5	239	1
C19 10	C17 41	WIH/	45	275	2	C20 08	C08 33	CNSCALEL	6	240	1
C19 11	C04 09	WRDATA	46	166	1	C20 09	C17 27	HOSELAY	7	241	1
C19 12	C04 26	POS/	47	138	1	C20 10	C08 11	CNTL	8	242	1
C19 13	C17 25	HOSELY	48	38	1	C20 11	C17 23	HOSELAL	9	243	1
C19 14	C03 18	RDYLP/	49	129	1	* C20 12	C20 38	INTLK	299	173	1
C19 15	C17 24	HOSELX	50	83	1	C20 13	C01 25	INILK	88	244	1
C19 16	C03 19	SELOCKLP	51	130	1	C20 14	C04 16	TEMPOLIM	10	289	2
C19 17	C18 52	RMSEL	52	120	1	C20 15	C03 10	SVCTRLBL	11	245	1
C19 18	C18 37	RDATAENL	53	121	1	C20 16	C05 39	SVSEN	12	246	1
C19 19	C07 53	DAR16	54	226	1	C20 17	C05 25	SVCTRLAL	13	247	1
C19 20	C18 47	RDATAENU	55	168	1	C20 19	C06 52	FUNC	14	248	1
C19 21	C07 35	DAR6	56	227	1	* C20 22	C12 07	WCHIL/	15	156	1
C19 22	C15 37	RDDATA	57	228	1	* C20 24	C12 09	WCHIL/	16	157	1
C19 23	C07 41	DAR2	58	147	1	* C20 26	C02 09	INDSECL	17	124	1
C19 24	C18 49	IOCLKEMU	59	149	1	C20 27	C06 50	*SIGN	18	249	1
C19 25	C07 37	DAR4	60	229	1	* C20 28	C06 27	POSTRKL	19	146	1
C19 26	C18 40	IOCLKEM	61	16	1	* C20 29	C05 53	LAMPU	20	143	1
C19 27	C12 48	IOCLK	301	301		* C20 30	C04 47	HDXPTU	21	139	1
C19 29	C18 20	BRDENL	62	47	1	* C20 31	C05 23	EXCURRU	22	141	1
C19 30	C07 51	DAR32	63	150	1	C20 32	C01 45	VLSEN	23	250	1
C19 31	C18 17	WRNLA	64	14	1	* C20 33	C06 04	DIRU	24	151	1
C19 32	C07 49	DAR64	65	149	1	C20 34	C08 40	CNSCALEU	25	251	1
C19 33	C18 19	WRNLA	66	48	1	* C20 35	C17 27	HOSELAY	26	274	2
C19 34	C18 21	BRDENU	67	15	1	* C20 36	C08 15	CNTU	27	153	1
C19 35	C03 31	DRIVEOP	68	230	1	* C20 37	C17 23	HOSELAY	28	273	2
C19 38	C08 09	ADDCLR/	69	231	1	C20 38	C20 12	INTLK	299	173	1
C19 39	C07 54	DAR25A	70	232	1	* C20 39	C04 23	INTLK	300	136	1
C19 40	C07 47	DAR128	71	148	1	* C20 40	C04 16	TEMPOLIM	29	135	1
C19 41	C18 50	INDSECENU	72	19	1	* C20 41	C03 07	SVCTRLBU	30	127	1
C19 42	C18 14	INDEX	73	170	1	* C20 42	C05 39	SVSEN	31	269	2
C19 43	C18 13	SECTOR	74	110	1	* C20 43	C05 33	SVCTRLAU	32	142	1
C19 44	C18 51	INDSECENL	75	84	1	* C20 45	C06 52	FUNC	33	271	2
C19 45	C15 49	FCERR	76	233	1	C20 48	C12 04	WCHIL/	34	152	1
C19 46	C03 23	ILLADD	77	234	1	C20 50	C12 24	WCHIL/	35	153	1
C19 47	C04 25	POSU/	78	137	1	C20 52	C02 27	INDSECU	36	234	1
C19 48	C08 39	PARSEL	79	235	1	* C20 53	C06 50	*SIGN	37	270	2
C19 49	C03 31	DRIVEOP	80	235	2	* C20 54	C08 24	POSTRKL	38	255	1
C19 50	C20 56	INTLK	81	39	1	* C20 55	C19 50	INTLK	81	39	1
C19 50	C19 57	INTLK	298	292	2	C20 58	C18 10	INTLK	39	167	1
C19 51	C17 35	BY20	82	18	1						



REVISION				
REV	CONT	DR	CHK	APPR DATE
A	ER6-2400	CCG	CCG	2/27/76

- 3 SEE P/L FOR WIRE LIST ITEM 3
  - 2 MARK REF DESIGNATION USING .12 HIGH BLACK STENCIL INK GOTHIC CHARACTERS WHERE SHOWN.
  - 1 MARK BLUEPRINTS ASSY NO. AND ISSUE LEVEL USING .12 HIGH BLACK STENCIL INK GOTHIC CHARACTERS WHERE SHOWN
- NOTES: UNLESS OTHERWISE SPECIFIED

SEE P/L

TOLERANCES UNLESS OTHERWISE SPECIFIED				DATE 1/21/76		Burroughs Corporation	
MATERIAL		DESIGN		DATE 7/23/76		WESTLAKE PLANT U.S. AMERICA	
HEAT TREATMENT		DESIGN OR ENGR		DATE		DISK PACK PRODUCTS WESTLAKE VILLAGE, CALIF. 91380	
SURFACE TREATMENT		CLASS CODE 2-1531		DATE 7-24-76		TITLE HAZJ: VOLT REG TO LOWER D2	
PROPRIETARY TO BURROUGHS CORPORATION. NOT TO BE REPRODUCED OR USED FOR MANUFACTURING PURPOSES EXCEPT ON BURROUGHS DISKS OR DISK WRITERS WITHOUT CONSENT.				SCALE 1/1	SHEET 1 OF 1	DWG NO. 2161 7691	REV A

DWG NO 2161 7691 SHEET 1 OF 1

311

LATEST ISSUE \*\*\* LAST CHANGE: 7/24/76 FILE GEN: 139 PRINTED: 7/24/76

PART/DOC	DT	DESCRIPTION	DRW SIZE	DRW REV	ISSUE UDN	CLASS CODE	DOC CODE	ECT	ECNO	DSGN CNTL
2161 7691	PL	HARN,V/R TO LWR DR	C	A	1	EA 2-1531-000	2	ER	62400	59

TRAN ITEN	DT	DRW SIZE	PART/DOC NUMBER	DRW REV	ISSUE IN	DOC OUT	CODE	DESCRIPTION	QUANTITY	UDN	ECT	ECNO
1	S		2150 6712		1	999	0	CONN RECEPTACLE	2.00	EA		
2	S		2208 5203		1	999	0	CONTACT, SOCKET	24.00	EA		
3	A		2161 8293	A	1	999	3	W/L-HARN,V/R-SS	0.00	RF		
5	S		1140 8739		1	999	0	STRAP, CABLE ID	1.00	EA		
6	S		1940 9390		1	999	0	WIRE, WHT PVC 18AWG	16.00	FT		
7	S		1112 0599		1	999	0	STRAP, CABLE	15.00	EA		

\*\*\*\*\*ADDITIONS AND DELETES SINCE LAST ISSUE\*\*\*\*\*

A	7	S	1112 0599		1	999	0	STRAP, CABLE	15.00	EA		
A	5	S	1140 8739		1	999	0	STRAP, CABLE ID	1.00	EA		
A	6	S	1940 9390		1	999	0	WIRE, WHT PVC 18AWG	16.00	FT		
A	1	S	2150 6712		1	999	0	CONN RECEPTACLE	2.00	EA		
A	3	A	2161 8293		1	999	3	W/L-HARN,V/R-SS	0.00	RF		
A	2	S	2208 5203		1	999	0	CONTACT, SOCKET	24.00	EA		

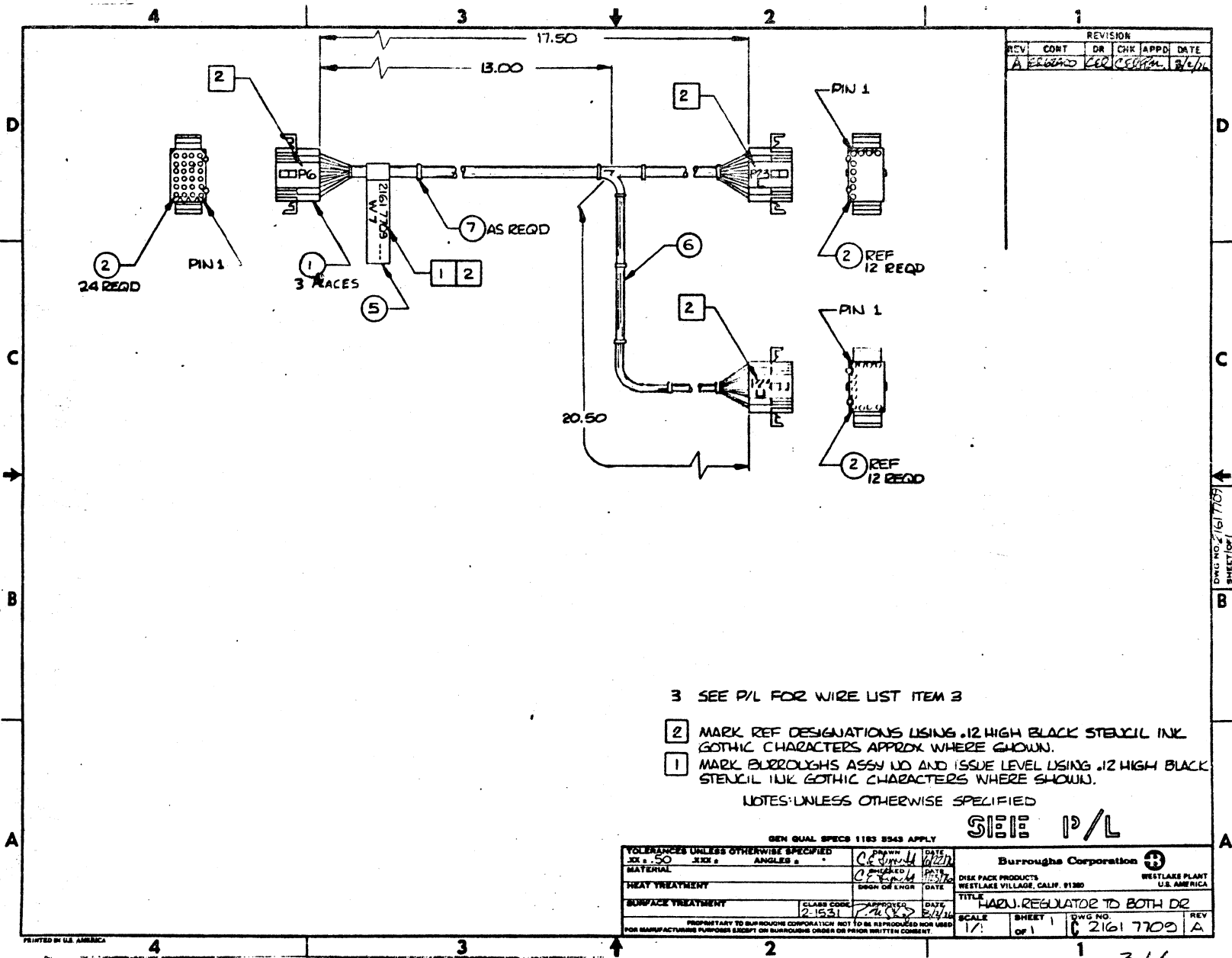
\*\*\*\*\*LAST LINE\*\*\*\*\*

3/2

WESTLAKE PLANT WESTLAKE VILLAGE, CALIF 91390 U.S. AMERICA		INTERMOUNTAIN CORPORATION 125th St 17th Ave 8/2/76 PAGE 1		PART NO. 2161 8293 QTY 1	
PROPRIETARY TO BIRROUCH'S CORPORATION NOT TO BE REPRODUCED OR USED FOR MANUFACTURING PURPOSES EXCEPT ON BIRROUCH'S ORDER OR PRIOR WRITTEN CONSENT		TITLE WIRE LIST - VOLT REG TO LWR DR		CLASS CODE 2-1509	
REV	CONTR	DT/ISSN	CHG	APPD	DATE
A	ELC	02/00	CEL	CEL	8/2/76
REVISION DESCRIPTION					







3 SEE P/L FOR WIRE LIST ITEM 3

- 2 MARK REF DESIGNATIONS USING .12 HIGH BLACK STENCIL INK. GOTHIC CHARACTERS APPROX WHERE SHOWN.
- 1 MARK BURROUGHS ASSY UD AND ISSUE LEVEL USING .12 HIGH BLACK STENCIL INK. GOTHIC CHARACTERS WHERE SHOWN.

NOTES: UNLESS OTHERWISE SPECIFIED

SEE P/L

TOLERANCES UNLESS OTHERWISE SPECIFIED				DATE	
DR	50	XXX	ANGLES	DATE	DATE
MATERIAL				2/26/60	2/26/60
HEAT TREATMENT				DATE	DATE
SURFACE TREATMENT				DATE	DATE
CLASS CODE		APPROVED	DATE	DATE	
2-1531		2/26/60	2/26/60	2/26/60	
Burroughs Corporation DISK PACK PRODUCTS WESTLAKE VILLAGE, CALIF. 91380 WESTLAKE PLANT U.S. AMERICA					
TITLE: MAGN. REGULATOR TO BOTH DR					
SCALE	SHEET	DWG NO.	REV		
1/1	OF 1	2161 7700	A		

DWG NO. 2161 7700 SHEET OF 1

PART/DOC	DT	DESCRIPTION	DRW SIZE	DRW REV	ISSUE	UOM	CLASS CODE	DOC CODE	ECT	ECNO	DSGN CNTL
2161 7709	FL	HARN,V/R-EA DR	D	A	2	EA	2-1531-000	2	ER	62400	59

TRAN ITEM	DRW DT	PART/DOC SIZE NUMBER	DRW REV	ISSUE IN	DOC OUT	CODE	DESCRIPTION	QUANTITY	UOM	ECT	ECNO
1	S	2150 6712		1	999	0	CONN RECEPTACLE	3.00	EA		
2	S	2208 5203		1	999	0	CONTACT, SOCKET	48.00	EA		
3	A	2161 8301	A	1	999	4	W/L-HARN,V/R-DS	0.00	RF		
5	S	1140 8739		2	999	0	STRAP, CABLE ID	1.00	EA		
6	S	1940 9390		1	999	0	WIRE, WHT PVC 18AWG	51.00	FT		
7	S	1112 0599		1	999	0	STRAP, CABLE	24.00	EA		


\*\*\*\*\*ADDITIONS AND DELETES SINCE LAST ISSUE\*\*\*\*\*

A	5	S	1140 8739		2	999	0	STRAP, CABLE ID	1.00	EA	
D	1	S	2150 6704		1	1	0	CONNECTOR	1.00	EA	
D	4	S	2208 5229		1	1	0	CONTACT, PIN	18.00	EA	

\*\*\*\*\*LAST LINE\*\*\*\*\*

2161 8301

WESTLARK VILLAGE CAUSE 9100 U.S. AMERICA WESTLARK PLANT WESTLARK CORPORATION PROHIBITED TO SUBORDINATES AND NOT TO BE REPRODUCED OR USED FOR ANY ACTING PURPOSES EXCEPT ON SUBORDINATES UNDER WRITTEN CONSENT		CONTROL DTSMN CHNG APPD DATE PAGE LINE OR GR A 2161 8301 000 8/2/76		TITLE WIRE LIST - VOLT REG TO EACH D12		REVISION DESCRIPTION CLASS CODE 2-1509	
APPROVED: <i>[Signature]</i> DATE: 8/2/76		APPROVED: <i>[Signature]</i> DATE: 8/2/76		PART NO: 2161 8301 REV: A		CLASS CODE: 2-1509	

Burroughs Corporation 		DWG NO. 2161 8301	REV A
DISK RACK PRODUCTS WESTLAKE PLANT WESTLAKE VILLAGE, CALIF. 91350 U.S. AMERICA		TITLE WIRE LIST	
PROPRIETARY TO BURROUGHS CORPORATION. NOT TO BE REPRODUCED, NOR USED FOR MANUFACTURING PURPOSES, EXCEPT ON BURROUGHS ORDER OR PRIOR WRITTEN CONSENT.	DRWN <i>cel</i>	CHKD	CLASS CODE 2-1509

**CODES:**

**WIRE TYPE**

A- STRANDED INS.  
 B- SOLID INS.  
 C- SOLID BARE  
 D- COAX  
 E- TWISTED PAIR  
 F- SHIELDED  
 G-  
 H-


**CONNECTIONS**

S- SOLDER  
 T- CRIMP  
 U- WIRE WRAP  
 V- CLAMP  
 W- WAIT-(FUTURE CONNECTION REQ'd)  
 X- CONNECTOR PIN (MALE)  
 Y- CONNECTOR SOCKET (FEMALE)  
 Z-

**NOTES: UNLESS OTHERWISE SPECIFIED.**

- THE P/L ITEM NO. COLUMN REFERENCES THE PART WHICH IS ATTACHED TO THE WIRE END. THE FIRST NO. IS FOR THE "FROM" CONNECTION THE SECOND IS FOR THE "TO" CONNECTION.

319

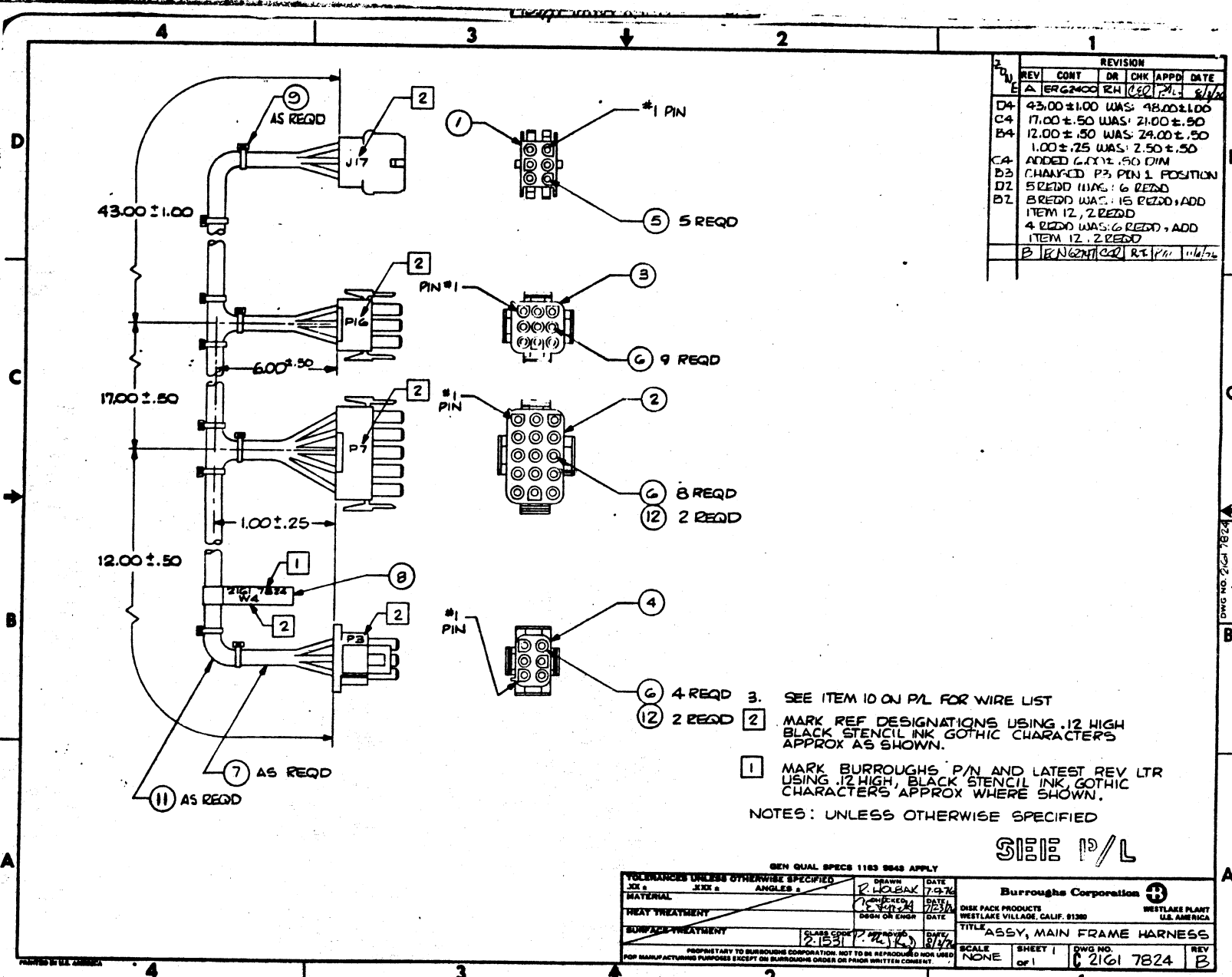
Burroughs Corporation 		DWG NO. 2161 8301	REV A
DISK RACK PRODUCTS WESTLAKE PLANT WESTLAKE VILLAGE, CALIF. 91350 U.S. AMERICA		TITLE WIRE LIST	
PROPRIETARY TO BURROUGHS CORPORATION. NOT TO BE REPRODUCED, NOR USED FOR MANUFACTURING PURPOSES, EXCEPT ON BURROUGHS ORDER OR PRIOR WRITTEN CONSENT.	DRWN <i>cel</i>	CHKD	CLASS CODE 2-1509

WIRE NO.	FROM			TO			P/L* ITEM NO.	AWG & TYPE	COMMENTS
	COMP.	TERM.	CONN CODE	COMP.	TERM.	CONN CODE			
1	P6	5	Y	P23L	5	Y	2	18A	+35V
2		9			9				-35V
3		13			13				±35V RTN
4		1			1				-5.2V
5		21			21				+5V
6		24			24				+15V
7		2			2				-15V
8		3			3				±15V RTN
9		22			22				±5V RTN
10		23			23				
11		14			14				
12		15		P23L	15				±5V RTN
13		12		P23U	5				+35V
14		10			9				-35V
15		17			13				±35V RTN
16		8			1				-5.2V
17		16			21				+5V
18		20			24				+15V
19		6			2				-15V
20		4			3				±15V RTN
21		11			22				±5V RTN
22		7			23				
23		18			14				
24	P6	19	Y	P23U	15	Y	2	18A	±5V RTN

\* SEE NOTE 1

320



REVISION					
REV	CONT	DR	CHK	APPD	DATE
A	ERG 2400	RH	CEQ	PL	8/1/74
D4	43.00 ± 1.00 WAS: 48.00 ± 1.00				
C4	17.00 ± .50 WAS: 21.00 ± .50				
B4	12.00 ± .50 WAS: 24.00 ± .50				
	1.00 ± .25 WAS: 2.50 ± .50				
CA	ADDED 6.00 ± .50 DIM				
D3	CHANGED P3 PIN 1 POSITION				
D2	5 REQD WAS: 6 REQD				
D1	8 REQD WAS: 15 REQD + ADD ITEM 12, 2 REQD				
	4 REQD WAS: 6 REQD + ADD ITEM 12, 2 REQD				
B ERG 2400 RH CEQ PL 11/6/74					

- 3. SEE ITEM 10 ON P/L FOR WIRE LIST
- 2. MARK REF DESIGNATIONS USING .12 HIGH BLACK STENCIL INK GOTHIC CHARACTERS APPROX AS SHOWN.
- 1. MARK BURROUGHS P/N AND LATEST REV LTR USING .12 HIGH, BLACK STENCIL INK GOTHIC CHARACTERS APPROX WHERE SHOWN.

NOTES: UNLESS OTHERWISE SPECIFIED

SEE P/L

TOLERANCES UNLESS OTHERWISE SPECIFIED		DIMENSIONS UNLESS OTHERWISE SPECIFIED		DATE	
XX	XX	XX	XX	DATE	DATE
MATERIAL	ANGLES	DRAWN	R. LOBAK	7-9-74	
HEAT TREATMENT		CHECKED	7-23-74	7-23-74	
SURFACE TREATMENT		DESIGN OR ENGR			
SPECIFICATIONS		DATE		DATE	
212311-2115		7/15/74		8/1/74	
PROPRIETARY TO BURROUGHS CORPORATION. NOT TO BE REPRODUCED OR USED FOR MANUFACTURING PURPOSES EXCEPT ON BURROUGHS ORDER OR PRIOR WRITTEN CONSENT.				SCALE	SHEET 1 OF 1
				NONE	6 2161 7824
					B

DWG NO. 2161 7824 SHEET 1 OF 1

1 3 21

ENGINEERING PARTS LIST REPORT

\*\*\* LAST CHANGE: 19 Sep, 1977

PRINTED: 19 Sep, 1977

PART/DOC TRAN NUMBER	DT	DESCRIPTION	DRW SIZE	DRW REV	ISSUE	UOM	CLASS CODE	DOC CODE	ECT	ECNO	DSGN CNTL
2161 7824	PL	ASSY-MN FR HARN	C	B	3	EA	2-1531-000	2	ECN	10487	027

\*\*\*\*\*HEADER LINE CHANGES SINCE LAST ISSUE\*\*\*\*\*

A

TRAN ITEM	DRW DT	PART/DOC SIZE NUMBER	DRW REV	ISSUE IN	DOC OUT CODE	DESCRIPTION	QUANTITY	UOM	ECT	ECNO
1	S	A 1952 5286		1	999 0	RECEPTACLE-6 PIN	1.00	EA		
2	S	A 1944 3571		1	999 0	PLUG-15 CKT	1.00	EA		
3	S	A 1951 6327		1	999 0	PLUG-9 PIN	1.00	EA		
4	S	A 1951 E319		1	999 0	PLUG-6PIN	1.00	EA		
5	S	A 1944 3597		2	999 0	PIN-20-14ANG	5.00	EA	ECN	62747
6	S	A 1944 3621		2	999 0	CONTACT-SOCKET	21.00	EA	ECN	62747
7	S	1940 9598		2	999 0	WIRE-WHT PVC 16ANG	34.00	FT	ECN	62747
8	S	1140 8739		1	999 0	STRAP, CABLE ID	1.00	EA		
9	S	1112 0599		2	999 0	STRAP-CABLE	21.00	EA	ECN	62747
10	A	2161 8400		3	999 3	M/L-MAIN FRAME HAR	0.00	RF	ECN	10487
11	S	1940 9796		2	999 0	WIRE-WHT PVC 14ANG	2.30	FT	ECN	62747
12	S	A 1944 3667		2	999 0	CONTACT-SOCKET	4.00	EA	ECN	62747

PAGE 1

ASSEMBLY 2161 7824 ISSUE 3

322

ENGINEERING PARTS LIST REPORT

\*\*\* LAST CHANGE: 19 Sep, 1977

PRINTED: 19 Sep, 1977

PART/DOC TRAN NUMBER	DT	DESCRIPTION	DRW SIZE	DRW REV	ISSUE	UOM	CLASS CODE	DOC CODE	ECT	ECNO	DSGN CNTL
2161 7824	PL	ASSY-MN FR HARN	C	B	3	EA	2-1531-000	2	ECN	10487	027

\*\*\*\*\*HEADER LINE CHANGES SINCE LAST ISSUE\*\*\*\*\*

A

TRAN ITEM	DRW DT	PART/DOC SIZE NUMBER	DRW REV	ISSUE IN	DOC OUT CODE	DESCRIPTION	QUANTITY	UOM	ECT	ECNO
-----------	-----------	-------------------------	---------	-------------	-----------------	-------------	----------	-----	-----	------

\*\*\*\*\*ADDITIONS AND DELETES SINCE LAST ISSUE\*\*\*\*\*

C	10	A 2161 8400	A	1	2	3	M/L-MAIN FRAME HAR	0000	RF	ECN 10487
---	----	-------------	---	---	---	---	--------------------	------	----	-----------

\*\*\*\*\*LAST LINE\*\*\*\*\*

323

P/ 2

ASSEMBLY 2161 7824 ISSUE 3

Burroughs Corporation		E. LYNCH 6/29/76		A-2161 8400 B				
WESTLAKE PLANT WESTLAKE VILLAGE, CALIF. 91360 U.S. AMERICA		CE Lynch 7/23/76		PAGE 1 of 3				
PROPRIETARY TO BURROUGHS CORPORATION - NOT TO BE REPRODUCED NOR USED FOR MANUFACTURING PURPOSES EXCEPT ON BURROUGHS ORDER OR PRIOR WRITTEN CONSENT.				TITLE WIRE LIST - MAIN FRAME HARU				
REV	CONTROL EDC & NO	DFTSMN	CHKD	APPD & DATE	PAGE	LINE OR ?	REVISION DESCRIPTION	CLASS CODE
A	EP 62400	CEL	CEL	Par				2-1509
B	ECN 10487	Java	Java	22/11/77 9/4	3		ON LINE 10 & CHANGE ITEM FROM 1/6 To 12/12.	

324

Burroughs Corporation		SHEET 2 OF 3		DWG NO. 2161 8400		REV B		
DISK PACK PRODUCTS WESTLAKE VILLAGE, CALIF. 91360 U.S. AMERICA		WESTLAKE PLANT WESTLAKE VILLAGE, CALIF. 91360 U.S. AMERICA		TITLE WIRE LIST				
PROPRIETARY TO BURROUGHS CORPORATION. NOT TO BE REPRODUCED, NOR USED FOR MANUFACTURING PURPOSES, EXCEPT ON BURROUGHS ORDER OR PRIOR WRITTEN CONSENT.				DRWN CEL	CHKD	DESN OR ENGR	APPD	CLASS CODE 2-1509

CODES:

WIRE TYPE

- A- STRANDED INS.
- B- SOLID INS.
- C- SOLID BARE
- D- COAX
- E- TWISTED PAIR
- F- SHIELDED
- G-
- H-

CONNECTIONS

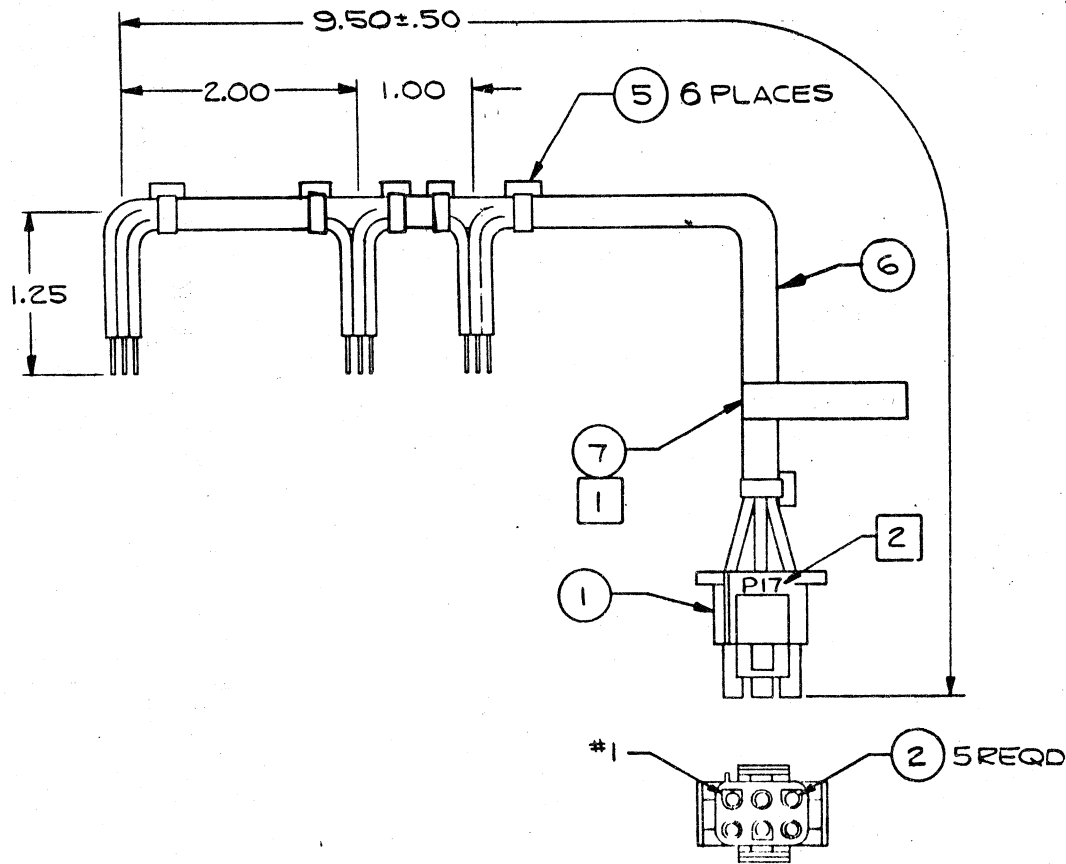
- S- SOLDER
- T- CRIMP
- U- WIRE WRAP
- V- CLAMP
- W- WAIT-(FUTURE CONNECTION REQ'D)
- X- CONNECTOR PIN (MALE)
- Y- CONNECTOR SOCKET (FEMALE)
- Z-

NOTES: UNLESS OTHERWISE SPECIFIED.

325



DWG NO. 2161 7675  
SHEET 1 OF 1




REVISION					
REV	CONT	DR	CHK	APPD	DATE
A	ER6200	DM	CEL	PJM	8/2/76
REMOVE ITEM 4 FROM FACE OF DWG. ADD 3 CABLE STRAPS AND REF DESIGNATIONS.					
B	ECN 62750	CEL	R.T.	PJM	11/1/76

4. IDENTIFY WIRE WITH WIRE NO'S PER WIRE LIST.
3. FOR WIRE LIST SEE P/L. ITEM 3
2. MARK REF DESIGNATION APPROX WHERE SHOWN IN .12 HIGH GOTHIC CHARACTERS USING BLACK STENCIL INK. COVER WITH CLEAR LACQUER.
1. MARK "ASSY 2161 7675" AND LATEST REV LTR IN .12 HIGH GOTHIC CHARACTERS USING BLACK STENCIL INK.

NOTES: UNLESS OTHERWISE SPECIFIED

SEE P/L

GEN QUAL SPECS 1183 5543 APPLY

TOLERANCES UNLESS OTHERWISE SPECIFIED .XX ± .12 .XXX ± - ANGLES ± - °		DRAWN D. MILLER	DATE 5/28/76	Burroughs Corporation  WESTLAKE PLANT U.S. AMERICA
MATERIAL		CHECKED C. E. ...	DATE 7/23/76	
HEAT TREATMENT		DSGN OR ENGR		DISK PACK PRODUCTS WESTLAKE VILLAGE, CALIF. 91360
SURFACE TREATMENT		CLASS CODE 2-1531	APPROVED P. ...	DATE 8/2/76
TITLE ASSY, HARN SWITCH PANEL				
SCALE NONE		SHEET 1 OF 1		DWG NO. B 2161 7675
REV B				

PROPRIETARY TO BURROUGHS CORPORATION. NOT TO BE REPRODUCED NOR USED FOR MANUFACTURING PURPOSES EXCEPT ON BURROUGHS ORDER OR PRIOR WRITTEN CONSENT.



PART/DOC TRAN NUMBER	DT	DESCRIPTION	DRM SIZE	DRM REV	ISSUE	UOM	CLASS CODE	DOC CODE	ECT	ECNO	DSGN CNTL
2161 7675	PL	ASSY-HARN, SW PNL	B	B	4	EA	2-1531-060	2	ECN	62750	59

\*\*\*\*\*HEADER LINE CHANGES SINCE LAST ISSUE\*\*\*\*\*

A

TRAN ITEM	DT	DRM SIZE	PART/DOC NUMBER	DRM REV	ISSUE IN	DOC OUT CODE	DESCRIPTION	QUANTITY	UOM	ECT	ECNO
1	S	A	1951 6319		2	999 0	PLUG-6PIN	1.00	EA		
2	S	A	1944 3621		2	999 0	CONTACT, SOCKET	5.00	EA		
3	A		2161 8426	A	3	999 3	WIPE LIST-SW PNL	0.00	RF	ER	62400
5	S		1112 0599		4	999 0	STRAP, CABLE	6.00	EA	ECN	62750
6	S		1941 1958		4	999 0	WIRE, 20AWG, WHITE	4.40	FT	ECN	62750
7	S		1140 8739		3	999 0	STRAP, CABLE ID	1.00	EA		

\*\*\*\*\*ADDITIONS AND DELETES SINCE LAST ISSUE\*\*\*\*\*

C	5	S	1112 0599		3	3 0	STRAP, CABLE	4.00	EA		
A	6	S	1941 1958		4	999 0	WIRE, 20AWG, WHITE	4.40	FT	ECN	62750
D	6	S	1941 2055		1	3 0	WIRE, WHT PVC 22AWG	5.00	FT		

\*\*\*\*\*LAST LINE\*\*\*\*\*

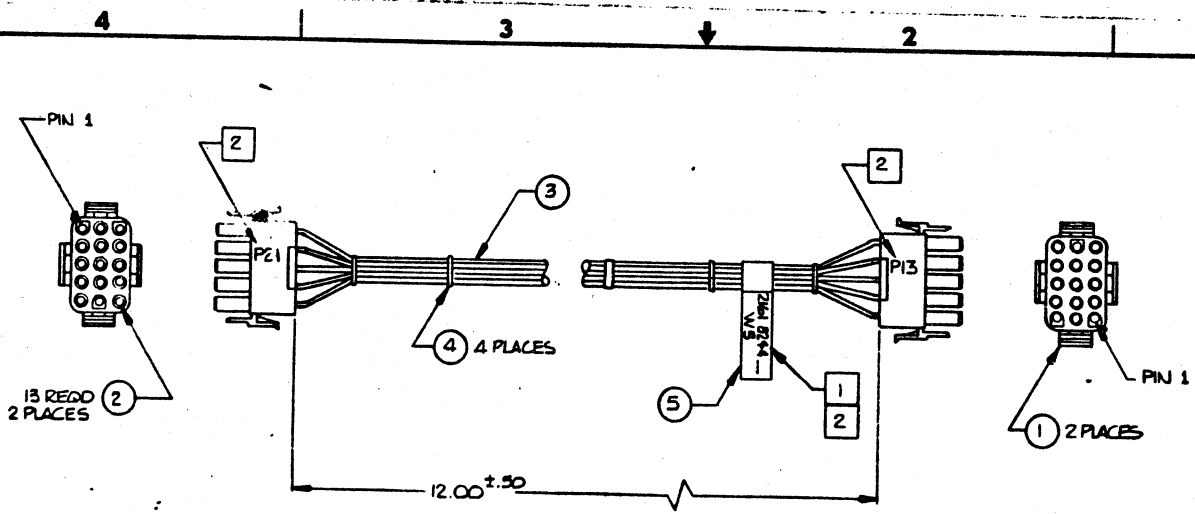
328

WESTINGHOUSE CORPORATION WESTINGHOUSE DIVISION PITTSBURGH, PA 15224		SHEET D. MILLER 7/23/76		PART A-2161 8426 B	
WESTINGHOUSE CORPORATION WESTINGHOUSE DIVISION PITTSBURGH, PA 15224		TITLE WIRE LIST-SWITCH PANEL ASSY		CLASS CODE 2-1500	
WESTINGHOUSE CORPORATION WESTINGHOUSE DIVISION PITTSBURGH, PA 15224		REVISION DESCRIPTION WIRE GAUGE IS 20A WAS 22A, REMOVE OLDER GAUGE, ADD ITEM 2 UNDER PNL ITEM AND CLUSTER		DATE 11/17/76	
REV	CONTROL	DATE	BY	APP'D	CHK'D
A	6/16/76	DM	DM		
B	6/15/76	CE	RT		

PRINTED IN AMERICA

WHS 1025 1-76





REVISION				
REV	CONT	DR	CHK	APPD DATE
A	VER	CE	CE	10/1/72

- 3. CONNECT WIRES BETWEEN P21 AND P13 PIN FOR PIN 1 (I.E. CONNECT P21-2 TO P13-2 & P21-5 TO P13-5 ETC.) NO CONNECTION AT PIN 1 AND 13.
- 2. MARK REF DESIGNATIONS USING .12 HIGH BLACK STENCIL INK GOTHIC CHARACTERS APPROX WHERE SHOWN.
- 1. MARK BURROUGHS ASSY NO AND ISSUE LEVEL USING .12 HIGH BLACK STENCIL INK GOTHIC CHARACTERS AS SHOWN.

NOTES: UNLESS OTHERWISE SPECIFIED

SEE P/L

TOLERANCES UNLESS OTHERWISE SPECIFIED		GEN QUAL SPECS 1183 8843 APPLY		DATE: 6/10/72		Burroughs Corporation	
XX #	XX #	ANGLES #	XX #	DATE: 6/10/72	DESIGNER: P. J. K. P.	DATE: 6/10/72	WESTLAKE PLANT U.S. AMERICA
MATERIAL				DATE: 6/10/72	DRGN OR ENGR		
HEAT TREATMENT							
SURFACE TREATMENT							
	CLASS CODE: 2-1531	PROPOSED: P. J. K. P.	DATE: 6/10/72	TITLE: CABLE, PWR SUP TO VOLT REG			
PROPRIETARY TO BURROUGHS CORPORATION. NOT TO BE REPRODUCED OR USED FOR MANUFACTURING PURPOSES EXCEPT ON BURROUGHS ORDER OR PRIOR WRITTEN COMMENT.				SCALE: 1/1	SHEET: 1 of 1	DWG NO.: 2161 B244	REV: A

DWG NO. 2161 B244 SHEET 1 of 1

LATEST ISSUE \*\*\* LAST CHANGE: 7724776 FILE GEN: 139 PRINTED: 7724776

PART/DOC	DT	DESCRIPTION	DRW SIZE	DRW REV	ISSUE	UOM	CLASS CODE	DOC CODE	ECT	ECNO	DSGN CHTL
2161 8244	PL	CABLE,P/S-V/R	C	A	1	EA	2-1531-000	2	ER	62400	59

TRAN ITEM	DT	DRW SIZE	PART/DOC NUMBER	DRW REV	ISSUE IN	DOC OUT CODE	DESCRIPTION	QUANTITY	UOM	ECT	ECNO
1	S	A	1944 3571		1	999 0	PLUG,15 CKT	2.00	EA		
2	S	A	1944 3621		1	999 0	CONTACT,SOCKET	26.00	EA		
3	S		1940 9598		1	999 0	WIRE,WHT PVC 16AWG	14.00	FT		
4	S		1112 0599		1	999 0	STRAP,CABLE	4.00	EA		
5	S		1140 8739		1	999 0	STRAP, CABLE ID	1.00	EA		

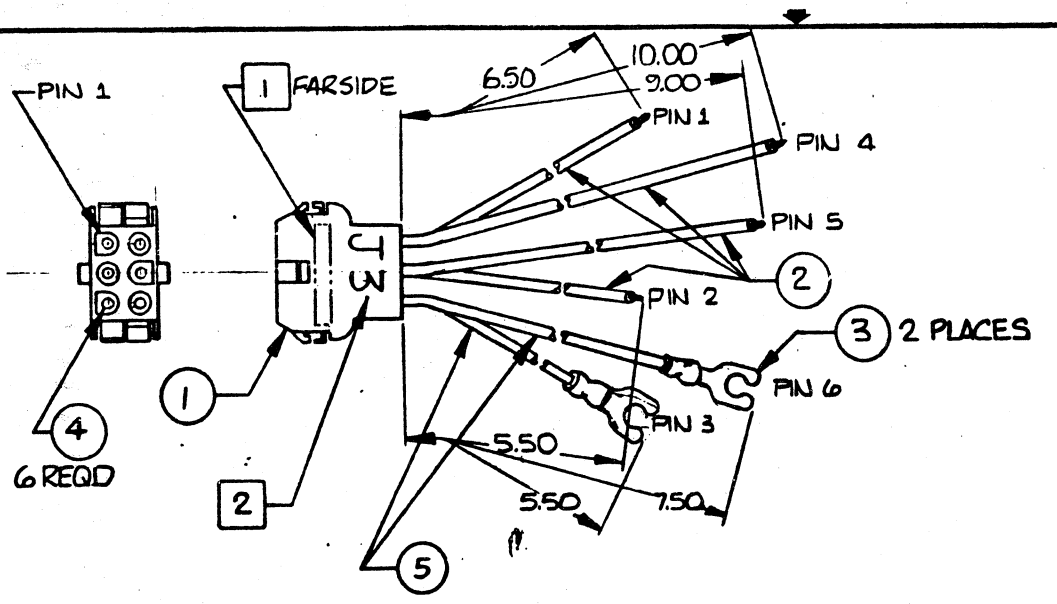
\*\*\*\*\*ADDITIONS AND DELETES SINCE LAST ISSUE\*\*\*\*\*

A	4	S	1112 0599		1	999 0	STRAP,CABLE	4.00	EA		
A	5	S	1140 8739		1	999 0	STRAP, CABLE ID	1.00	EA		
A	3	S	1940 9598		1	999 0	WIRE,WHT PVC 16AWG	14.00	FT		
A	1	S	A 1944 3571		1	999 0	PLUG,15 CKT	2.00	EA		
A	2	S	A 1944 3621		1	999 0	CONTACT,SOCKET	26.00	EA		

\*\*\*\*\*LAST LINE\*\*\*\*\*

333

DWG NO. 2162 2808  
SHEET OF 1



REVISION					
REV	CONT	DR	CHK	APPD	DATE
A	PRELIM	CEL			
ADDED: (5)					
B	ER62400	CEL	CEL	Pm	8/2/76

ENGINEERING CHANGE		
PENDING	REL.	APPROVED
ECN 10430	<input type="checkbox"/>	ECN
ECN	<input type="checkbox"/>	ECN
ECN	<input type="checkbox"/>	ECN
ECN	<input type="checkbox"/>	ECN
ECN	<input type="checkbox"/>	ECN

- 3 DESIGNATIONS ARE REF ONLY.
  - 2 MARK REF DESIGNATION USING .12 HIGH BLACK STENCIL INK GOTHIC CHARACTERS APPROX WHERE SHOWN
  - 1 MARK BURROUGHS ASSY NO AND ISSUE LEVEL USING .12 HIGH BLACK STENCIL INK GOTHIC CHARACTERS APPROX WHERE SHOWN
- NOTES: UNLESS OTHERWISE SPECIFIED

SEE P/L

GEN QUAL SPECS 1183 5543 APPLY

TOLERANCES UNLESS OTHERWISE SPECIFIED .XX ± .12 .XXX ± ANGLES ± °		DRAWN <i>C. Estimote</i>	DATE 6/22/76	Burroughs Corporation
MATERIAL		CHECKED <i>C. Estimote</i>	DATE 7/23/76	
HEAT TREATMENT		DSGN OR ENGR	DATE	TITLE HARD C.E.M. BACKPLANE
SURFACE TREATMENT		CLASS CODE 2-1531	APPROVED <i>C. Estimote</i>	DATE 8/2/76
<small>PROPRIETARY TO BURROUGHS CORPORATION. NOT TO BE REPRODUCED NOR USED FOR MANUFACTURING PURPOSES EXCEPT ON BURROUGHS ORDER OR PRIOR WRITTEN CONSENT.</small>				SCALE 1/1
SHEET 1 OF 1		DWG NO. B 2162 2808		REV B

ENGINEERING PARTS LIST REPORT

LAST CHANGE: 19 JUL 1977

PRINTED: 28 JUL 1977

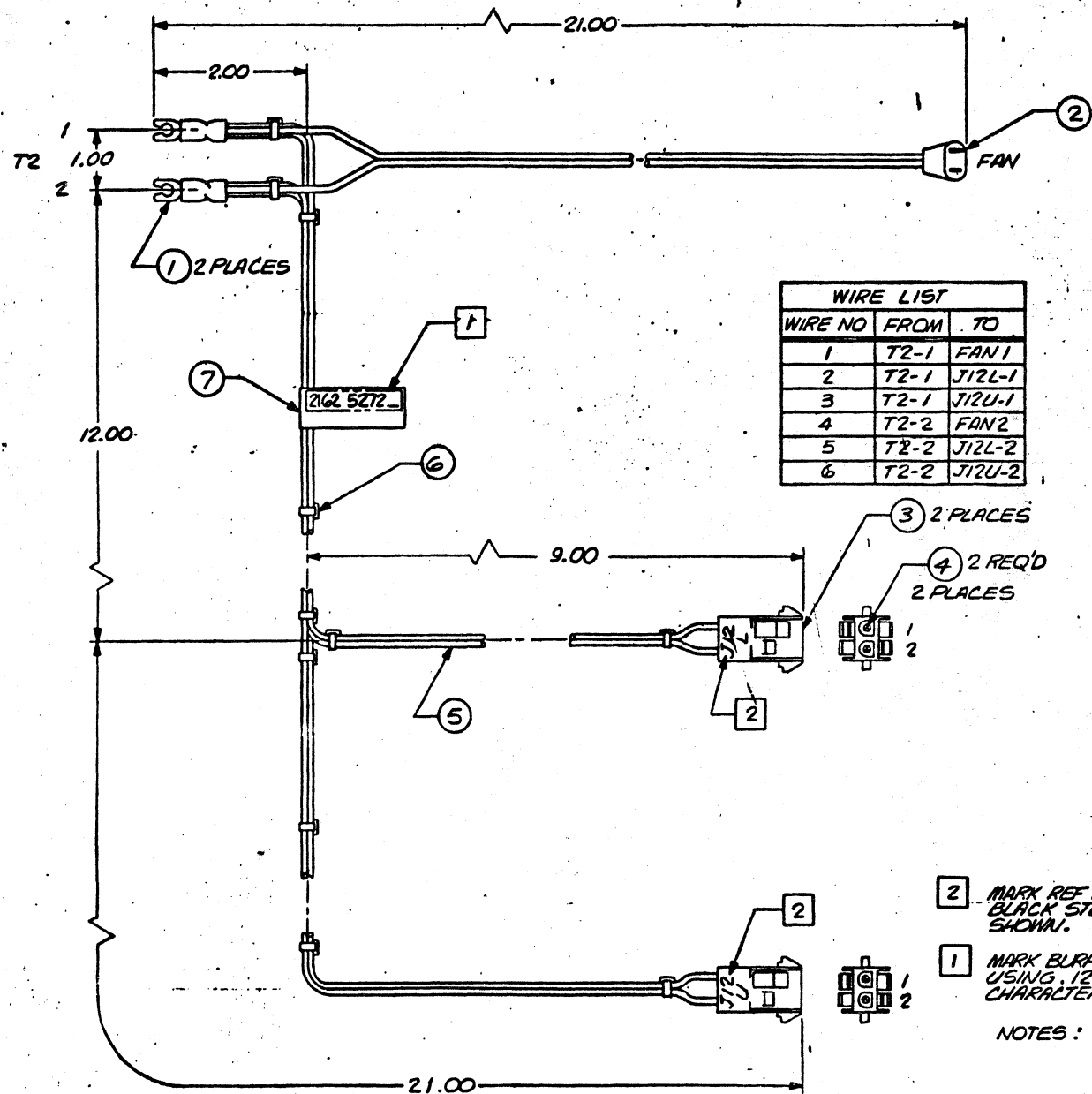
PART/DOC TRAN NUMBER	DT	DESCRIPTION	DRW SIZE	DRW REV	ISSUE	UOM	CLASS CODE	DOC CODE	ECT	ECNO	DSGN CATL
2162 2808	FL	HARN-CEN BACKPLANE	B	8	2	EA	2-1531-000	2	ECN	10430	027

TRAN ITEM	DT	DRW SIZE	PART/DOC NUMBER	DRW REV	ISSUE IN	DOC OUT CODE	DESCRIPTION	QUANTITY	UOM	ECT	ECNO
1	S	A	1952 5286		1	999 0	RECEPTACLE-6 PIN	1.00	EA		
2	S		1940 9598		1	999 0	WIRE,WHT PVC 16ANG	3.00	FT		
3	S		2159 5061		1	999 0	CONN,WIRE SPADE#8	2.00	EA		
4	S	A	1944 3597		2	999 0	CONTACT PIN	6.00	EA	ECN	10430
5	S		1940 9796		1	999 0	WIRE,WHT PVC 14ANG	2.00	FT		

\*\*\*\*\*ADDITIONS AND DELETES SINCE LAST ISSUE\*\*\*\*\*

D	4	A	1944 3613		1	2 0	CONTACT PIN	6.00	EA		
A	4	A	1944 3597		2	999 0	CONTACT PIN	6.00	EA	ECN	10430

\*\*\*\*\*LAST LINE\*\*\*\*\*



WIRE NO	FROM	TO
1	T2-1	FAN 1
2	T2-1	J12L-1
3	T2-1	J12U-1
4	T2-2	FAN 2
5	T2-2	J12L-2
6	T2-2	J12U-2

REV		REVISION			
REV	CONT	DR	CHR	DATE	
A	2238		R.T.	12/11	11/17/71
INITIAL RELEASE					
B	10531		JARA	4/6	10/10/72
C/3	WAS: 13.50	13	3.00		
A/3	WAS: 24.00	15	21.00		
D/4	WAS: .15	15	1.00		

- 2 MARK REF DESIGNATION USING .12 HIGH GOTHIC BLACK STENCIL INK CHARACTERS WHERE SHOWN.
- 1 MARK BURROUGHS ASSY NO. AND ISSUE LEVEL USING .12 HIGH GOTHIC BLACK STENCIL INK CHARACTERS WHERE SHOWN

NOTES: UNLESS OTHERWISE SPECIFIED  
SEE P/L

GEN QUAL SPECS 1183 5543 APPLY

TOLERANCES UNLESS OTHERWISE SPECIFIED XX .25 XXX .125	ANGLES . . .	DRAWN R. K. BLACK	DATE 9/20/72
MATERIAL		CHECKED R. J. G. / J. S. G.	DATE 11/18/71
HEAT TREATMENT		DESIGNED BY R. J. G.	DATE 11/18/71
SURFACE TREATMENT	CLASS CODE 2-1531	APPROVED R. J. G.	DATE 11/18/71

Proprietary to Burroughs Corporation. Not to be reproduced nor used for manufacturing purposes except on Burroughs order or prior written consent.

Burroughs Corporation		WESTLAKE PLANT U.S. AMERICA	
DISK PACK PRODUCTS WESTLAKE VILLAGE, CALIF. 91380		TITLE ASSY. HARNESS - 120V-D.S.	
SCALE NONE	SHEET/ OF 1	DWG NO. C 2162 5272	REV B

DWG NO. 2162 5272  
SHEET/OF 1

ENGINEERING PARTS LIST REPORT

\*\*\*

LAST CHANGE: 27 Oct, 1977

PRINTED: 27 Oct, 1977

PART/DOC TRAN NUMBER	DT	DESCRIPTION	DRW SIZE	DRW REV	ISSUE	UOM	CLASS CODE	DOC CODE	ECT	ECNO	DSGA CNTL
2162 5272	PL	ASSY, HARN, 120V-DS	B	B	03	EA	2-1531-000	2	ECM	10531	027

TRAN ITEM	DT	DRW SIZE	PART/DOC NUMBER	DRW REV	ISSUE IN	DOC OUT CODE	DESCRIPTION	QUANTITY	UOM	ECT	ECNO
1	S		2159 5053		1	999 0	CONNECTOR, LUG	4.00	EA		
2	S		1635 2361		2	999 0	CGRD ASSY, PLUG	1.00	EA		
3	S	A	1952 5252		1	999 0	CONN-2 POS RECPT	2.00	EA		
4	S	A	1944 3597		1	999 0	PIN, 20-14AWG	4.00	EA		
5	S		1112 0599		1	999 0	STRAP, CABLE	12.00	EA		
6	S		1940 9598		1	999 0	WIRE, NHT PVC 16AWG	21.00	FT		
7	S		1140 0739		1	999 0	STRAP, CABLE ID	1.00	EA		

\*\*\*\*\*ADDITIONS AND DELETES SINCE LAST ISSUE\*\*\*\*\*

\*\*\*\*\*LAST LINE\*\*\*\*\*

337

PAGE 1

ASSEMBLY 2162 5272 ISSUE 3